



PRODUCT GUIDE GUIDE DES PRODUITS GUÍA DEL PRODUCTO

MODEL | MODÈLE | MODELO

20602107, 20602108, 20602109,
20602110, 20602111, 20602112

ELECTRIC PATIO BISTRO[®] 240

Serial number | Numéro de série | Número de serie

See rating Label on grill for serial number.

Ce numéro se trouve sur l'étiquette signalétique sur l'appareil.

El número de serie se encuentra en la etiqueta de especificaciones de la parrilla.

Date purchased | Date d'achat | Fecha de compra

If you have questions or need assistance during assembly, please call 1-888-430-7870.

Si vous avez des questions ou besoin d'aide pendant l'assemblage, S'il vous plaît appelez 1-888-430-7870

Si tiene alguna pregunta o si Necesita ayuda durante el Ensamblado, llámenos Al 1-888-430-7870

TOOLS REQUIRED FOR ASSEMBLY:

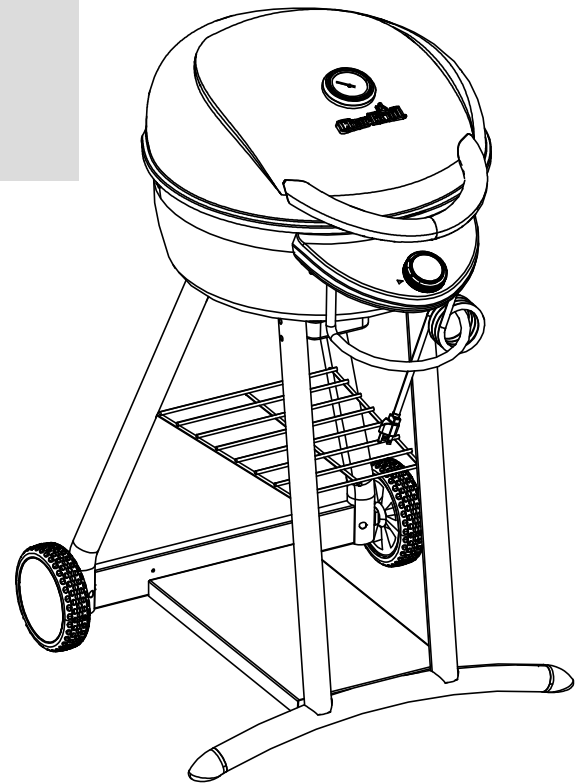
- Phillips Screwdriver
- 3/8" Nut driver
- 5/16" Nut driver
- Small Adjustable Wrench

HERRAMIENTAS NECESARIAS PARA EL MONTAJE:

- Destornillador Phillips
- 3/8" llave de tuercas
- 5/16" llave de tuercas
- Llave Pequeña Ajustable

OUTILS REQUIS POUR L'ASSEMBLAGE:

- Tournevis Phillips
- 3/8" pilote écrou
- 5/16" pilote écrou
- Petite Clé à molette



FOR OUTDOOR USE ONLY
POUR USAGE EN MILIEU EXTÉRIEUR UNIQUEMENT
ESTE JUEGO SÓLO SE PUEDE USAR EXTERIORS

Use only with GFI (Ground Fault Interrupter) protected circuit.
Use sólo con GFI (interruptor de fallo de tierra) del circuito protegido.
Utiliser uniquement avec GFI (Interruptor de défaut de tierra) circuit protégé.

TABLE OF CONTENTS

Product Record Information	1
Important Safeguards	2
Safety Symbols	2
General Safety	3
Use and Care	3-5
Food Safety	5
Limited Warranty	6
Parts Diagram	17
Parts List	18
Assembly	20-28
Troubleshooting	29
Registration Card	32

INSTALLER/ASSEMBLER:

Leave this manual with consumer.

CONSUMER:

Keep this manual for future reference.

This instruction manual contains important information necessary for the safe use of the appliance.

Follow all warnings and instructions when using the appliance.

Safety Symbols

The symbols and boxes shown below explain what each heading means. Read and follow all of the messages found throughout the manual.



DANGER: Indicates an imminently hazardous situation which, if not avoided, will result in death or serious injury.



WARNING: Indicates a potentially hazardous situation which, if not avoided, could result in death or serious injury.



CAUTION: Indicates a potentially hazardous situation or unsafe practice which, if not avoided, may result in minor or moderate injury.



For residential use only. Do not use for commercial cooking.

IMPORTANT SAFEGUARDS

When using electrical appliances, basic safety precautions should always be followed including the following:

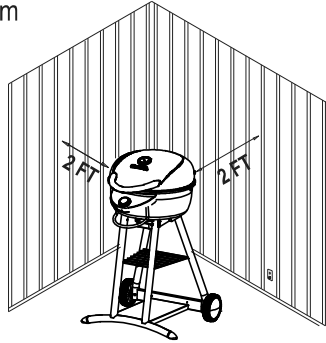
READ ALL INSTRUCTIONS

- Do not touch hot surfaces. Use handles or knobs.
- To protect against electrical shock, do not immerse cord, plugs, controller or heating element in water or any other liquid.
- Close supervision is necessary when any appliance is used by or near children.
- Unplug from outlet when not in use and before cleaning. Allow to cool before putting on or taking off parts.
- Do not operate any appliance with a damaged cord or plug or after the appliance malfunctions or has been damaged in any manner.
- The use of accessory attachments not recommended by the appliance manufacturer may cause injuries.
- Do not let cord hang over edge of table or counter, or touch hot surfaces.
- Do not place on or near a hot gas or electric burner, or in a heated oven.
- Extreme caution must be used when moving an appliance containing hot oil or other hot liquids.
- Do not use appliance for other than intended use.
- Use only with GFI (Ground Fault Interrupter) protected circuit.
- To prevent grill from being splashed or falling into water, do not use grill within 10 feet of a pool, pond or other body of water.
- Keep grill and electric controller dry and out of rain at all times.
- When connecting the grill to the power source, make sure controller is set to OFF position, then plug into outlet. When unplugging, turn controller to OFF position, disconnect from outlet.
- Unplug grill when not in use and before moving.
- Never remove grounding plug or use with an adapter to two prongs.
- Keep electric plugs off ground and dry. Do not use water or other liquid spray to clean product without first unplugging electric controller and removing heating element.
- Fuel, such as charcoal briquettes, is not to be used with appliance.
- Use only on properly grounded outlet.

SAVE THESE INSTRUCTIONS

General Safety

1. Do not touch hot surfaces with unprotected hands. Use handles and knobs provided for operation.
2. Never leave grill unattended when ON.
3. Keep children away from grill both when hot and cold.
4. Use long barbeque utensils for cooking.
5. Allow grill to cool before moving, cleaning or storing.
6. Keep grill 24" (2 feet) away from walls and rails.
7. For outdoor household use only. Do not use indoors or for commercial cooking.
8. Do not use or store gasoline, kerosene or other flammable liquids within 20 feet of this grill when in use.
9. Store grill in weather protected area or under grill cover when not in use.
10. Use only accessory attachments recommended by manufacturer.
11. It is the responsibility of the assembler/owner to assemble, install and maintain grill.



Use and Care of Your Grill

Before first use of grill:

- Remove all packaging and sale labels from the grill. Do not use sharp tools to remove stickers.
- Wash cooking grate with warm soapy water, rinse and dry thoroughly.

Before each use of grill:

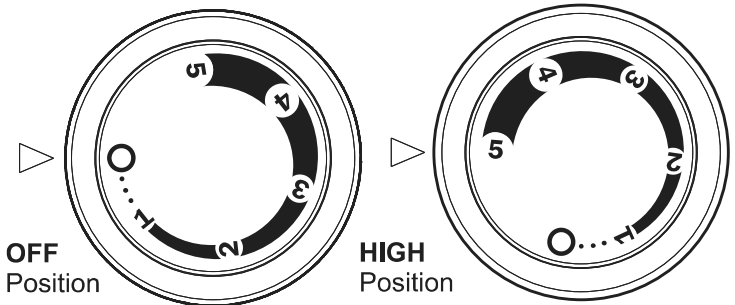
- Use grill only on a firm and level surface to prevent tipping over.
- To prevent household circuit breakers from tripping, keep electric controller dry and do not use other electrical products on the same circuit.
- Check grease tray to make sure it is empty and is mounted under the drain hole.
- For stick-free cooking, apply a thorough coating of vegetable oil or vegetable oil based spray to the cooking grate.

Turn grill on:

- Ensure electrical controller is turned fully counterclockwise to the off position.
- Plug power supply cord into a properly grounded, GFI protected outlet. If extension cord must be used refer to "Extension Cord Use and Safety" on page 3.
- Turn knob clockwise, Indicator light should come on.

Preheating the grill:

- Keep lid closed.
Preheat for searing, 15-20 minutes with controller set to **5** HIGH.
(See illustration below)



Align settings on controller knob with light/pointer on controller casing as shown

	WARNING	
<p>Do not use 16 or 18 gauge extension cords. Damage to household wiring and/or fire could result.</p>		

Extension Cord Use and Safety

For best grill performance use of extension cord is **not** recommended.

If you must use an extension cord for your safety:

- Use only outdoor type with 3 prong grounding plug, rated for 15 amperes or more, approved by UL, marked with a W and a tag stating "Suitable for Use with Outdoor Appliance".
- Use the shortest length extension cord required. Do not connect 2 or more extension cords together. A 12 or 14 gauge extension cord of 50 ft. or less is acceptable.
- Keep connections dry and off ground.
- Do not let cord hang over edge of table top or other items where it can be pulled by children or tripped over.

Ground Fault Interrupter

- Since 1971 the National Electric Code (NEC) has required Ground Fault Interrupter devices on all outdoor circuits.
- If your residence was built before 1971, check with a qualified electrician to determine if a Ground Fault Interrupter protector exists.
- Do not use this appliance if the circuit does not have GFI protection.
- Do not plug this appliance into an indoor circuit.

	WARNING	
<ul style="list-style-type: none"> • Failure to follow all manufacturer's instructions could result in serious personal injury and/or property damage. • Use care when operating your grill. • Read and follow all the information and safeguards in this product guide before attempting to assemble or operating this grill. 		

	CAUTION	
<p>Do not use sharp or pointed tools to clean grill.</p> <p>Do not use abrasive oven cleaners, steel wool or metal brushes to clean porcelain grates or grill body. They will damage the finish. Replace damaged part(s) only with Char-Broil certified replacement parts. Do not attempt to repair damaged parts.</p>		



DANGER



In case of fire turn controller to **OFF** position, unplug grill from outlet and allow fire to burn out. Do not use water to put out a fire in this or another electrical appliance.

To avoid electrical shock disconnect electric cord before removing heating element and cleaning grill. Never immerse electric controller or heating element in any liquid.

To avoid the possibility of burns be sure grill is cool before cleaning electric controller and heating element.

Grilling:

- For best results, cook with the lid closed to hold in heat and provide complete cooking.
- Temperature gauge on the lid indicates approximate cooking temperature inside the grill.
- Controller setting for various foods are dependant upon outdoor conditions and personal cooking preferences.

Turn grill off:

- Turn controller knob fully counterclockwise to OFF position.
- Unplug cord from outlet.

Cleaning electrical controller and heating element bracket:

- Clean controller case by wiping with a damp cloth using a mild detergent or hot soapy water.
- It is not necessary to clean the heating element. However, the element bracket may be cleaned with a damp cloth using a mild detergent or hot soapy water.
- Dry electrical controller and heating element before use.

Controlling grease fires:

To aid in controlling grease fires use the following precautions:

- Keep grill free from grease; chance of fire is greatly increased by grease buildup.
- Trim excess fat off meat and use less fatty cuts of meat to reduce chance of grease fires.
- If flare-up occurs during cooking reduce controller setting and close lid.
- If flare-up continues turn controller to OFF position and unplug the power cord.
- Clean the porcelain bowl under the heating element at least once a season, more often with heavy use.

Cleaning your grill:

Excess build up of burned grease and food particles will reduce the grill's cooking performance. To obtain optimum performance.

- Clean the porcelain bowl and frame at least once a season, more often with heavy use.
- Best results are obtained by brushing particle buildup downward and through drain hole in bottom of grill.
- Using a mild detergent or hot soapy water, moderately scrub surface of the lower porcelain bowl with a plastic or brass bristle brush.
- Clean cooking grates regularly with warm soapy water or a baking soda and water solution. Use non-abrasive scouring powder for stubborn stains. If a bristle brush is used to clean any of the grill cooking surfaces, ensure no loose bristles remain on cooking surfaces prior to grilling. It is not recommended to clean cooking surfaces while grill is hot.
- Clean porcelain lid and body with a non-abrasive cleaner.

Storing your grill:

- Clean cooking grate.
- Store grill in weather protected area or under grill cover when not in use.



WARNING




CALIFORNIA PROPOSITION 65

1. Combustible by-products produced when using this product contains chemicals known to the State of California to cause cancer, birth defects, or other reproductive harm.
2. This product contains chemicals, including lead and lead compounds, known to the State of California to cause cancer, birth defects or other reproductive harm.


Wash your hands after handling this product.

Safety Tips

- The grease tray **must** be inserted into appliance and emptied after each use.
- If you have an appliance problem see the "Troubleshooting Section".
- Clean grill often, preferably after each cookout. If a bristle brush is used to clean any of the grill cooking surfaces, ensure no loose bristles remain on cooking surfaces prior to grilling. It is not recommended to clean cooking surfaces while grill is hot.



WARNING




For Safe Use of Your appliance and to Avoid Serious Injury:


- The use of alcohol, prescription or non-prescription drugs may impair the consumer's ability to properly assemble or safely operate the appliance.
- When cooking, the appliance must be on a level, stable surface in an area clear of combustible material.
- Do not leave appliance unattended. Keep children and pets away from the appliance at all times.
- Do not move the appliance when in use.
- This appliance is not intended for and should never be used as a heater.
- This appliance will be hot during and after use. Use insulated oven mitts or gloves and long-handled barbecue utensils for protection from hot surfaces or splatter from cooking liquids.
- Keep appliance area clear and free from materials that burn.
- Keep appliance area clear and free from combustible materials, gasoline and other flammable vapors and liquids.
- Use appliance only in well-ventilated space.

Apartment Dwellers:

Check with management to learn the requirements and fire codes for using an electric grill in your apartment complex. Use only as allowed.



CAUTION



- **Putting out grease fires by closing the lid is not possible. This appliance is well ventilated for safety reasons.**
- **Do not leave appliance unattended while burning off food residue. If appliance has not been regularly cleaned, a grease fire can occur that may damage the product.**

DO NOT USE CHARCOAL. A charcoal fire will result and the grill is not designed for charcoal. The fire will create an unsafe condition and damage the grill.

Food Safety

Food safety is a very important part of enjoying the outdoor cooking experience. To keep food safe from harmful bacteria, follow these four basic steps:

Clean: Wash hands, utensils, and surfaces with hot soapy water before and after handling raw meat and poultry.

Separate: Separate raw meats and poultry from ready-to-eat foods to avoid cross contamination. Use a clean platter and utensils when removing cooked foods.

Cook: Cook meat and poultry thoroughly to kill bacteria. Use a thermometer to ensure proper internal food temperatures.

Chill: Refrigerate prepared foods and leftovers promptly.

For more information call: USDA Meat and Poultry Hotline at 1-888-MPHOTLINE (888-674-6854) In Washington, DC

Or E-mail: mphotline.fsis@usda.gov

Or visit the USDA website at www.fsis.usda.gov

How To Tell If Meat Is Cooked Thoroughly

- Meat and poultry cooked in the appliance often browns very fast on the outside. Use only thawed meat and a meat thermometer to be sure food has reached a safe internal temperature, and cut into food to check for visual signs of doneness.
- We recommend food to be at least 40°F before cooking in your appliance.
- Whole poultry should reach 165° F. Juices should run clear and flesh should not be pink.
- Beef, veal and lamb steaks, roasts and pork chops can be cooked to 160° F.
- NEVER partially cook meat or poultry and finish cooking later. Cook food completely to destroy harmful bacteria.
- Use a meat thermometer to ensure proper internal food temperatures.

USDA Recommended Internal Cooking Temperatures	
Ground Meat	
Beef, Pork, Veal, Lamb.....	160°F
Turkey, Chicken.....	165°F
Fresh Beef, Veal, Lamb	
Medium Rare.....	145°F
(let stand 3 minutes before cutting)	
Medium.....	160°F
Well Done.....	170°F
Poultry	
Chicken & Turkey, whole.....	165°F
Poultry Parts.....	165°F
Duck & Goose.....	165°F
Fresh Pork	
Medium Rare.....	145°F
(let stand 3 minutes before cutting)	
Medium.....	160°F
Well Done.....	170°F

LIMITED WARRANTY

This warranty only applies to units purchased from an authorized retailer. Manufacturer warrants to the **original consumer-purchaser** only that this product shall be free from defects in workmanship and materials after correct assembly and under normal and reasonable home use for the periods indicated below beginning on the date of purchase*. The manufacturer reserves the right to require that defective parts be returned, postage and or freight pre-paid by the consumer for review and examination.

<u>SCOPE OF COVERAGE</u>	<u>PERIOD OF COVERAGE</u>	<u>TYPE OF FAILURE COVERAGE</u>
Electric elements and controllers	1 year from date of purchase*	PERFORATION, MANUFACTURING, AND MATERIAL DEFECTS ONLY
Firebox and Lid	2 years from date of purchase*	
All Other Parts	1 year from date of purchase*	

*Note: A dated sales receipt WILL be required for warranty service.

The original consumer-purchaser will be responsible for all shipping charges for parts replaced under the terms of this limited warranty.

This limited warranty is applicable in the United States and Canada only, is only available to the original owner of the product and is not transferable. **Manufacturer requires proof of your date of purchase. Therefore, you should retain your sales slip or invoice.** Registering your product is not a substitute for proof of purchase and the manufacturer is not responsible for or required to retain proof of purchase records.

This limited warranty applies to the functionality of the product ONLY and does not cover cosmetic issues such as scratches, dents, corrosions or discoloring by heat, abrasive and chemical cleaners or any tools used in the assembly or installation of the appliance, surface rust, or the discoloration of stainless steel surfaces. Paint is not warranted and will require touch up. **RUST is not considered a manufacturing or materials defect.**

This limited warranty will not reimburse you for the cost of any inconvenience, food, personal injury or property damage.

ITEMS MANUFACTURER WILL NOT PAY FOR:

1. Shipping cost, standard or expedited, for warranty and replacement parts
2. Service calls to your home.
3. Repairs when your product is used for other than normal, single-family household or residential use.
4. Damage, failures, or operating difficulties resulting from accident, alteration, careless handling, misuse, abuse, fire, flood, acts of God, improper installation or maintenance, installation not in accordance with electrical or plumbing codes, or use of products not approved by the manufacturer.
5. Any food loss due to product failures or operating difficulties.
6. Replacement parts or repair labor costs for units operated outside the United States or Canada.
7. Pickup and delivery of your product.
8. Repairs to parts or systems resulting from unauthorized modifications made to the product.
9. The removal and/or reinstallation of your product.

DISCLAIMER OF IMPLIED WARRANTIES and LIMITATION OF REMEDIES

Repair or replacement of defective parts is your exclusive remedy under the terms of this limited warranty. In the event of parts availability issues, the manufacturer reserves the right to substitute like or similar parts that are equally functional.

Manufacturer will not be responsible for any consequential or incidental damages arising from the breach of either this limited warranty or any applicable implied warranty, or for failure or damage resulting from acts of God, improper care and maintenance, grease fire, accident, alteration, replacement of parts by anyone other than Manufacturer, misuse, transportation, commercial use, abuse, hostile environments (inclement weather, acts of nature, animal tampering), improper installation or installation not in accordance with local codes or printed manufacturer instructions.

THIS LIMITED WARRANTY IS THE SOLE EXPRESS WARRANTY GIVEN BY THE MANUFACTURER. NO PRODUCT PERFORMANCE SPECIFICATION OR DESCRIPTION WHEREVER APPEARING IS WARRANTED BY MANUFACTURER EXCEPT TO THE EXTENT SET FORTH IN THIS LIMITED WARRANTY. ANY IMPLIED WARRANTY PROTECTION ARISING UNDER THE LAWS OF ANY STATE, INCLUDING IMPLIED WARRANTY OF MERCHANTABILITY OR FITNESS FOR A PARTICULAR PURPOSE OR USE, IS HEREBY LIMITED IN DURATION TO THE DURATION OF THIS LIMITED WARRANTY.

Neither dealers nor the retail establishment selling this product has any authority to make any additional warranties or to promise remedies in addition to or inconsistent with those stated above. Manufacturer's **maximum liability**, in any event, shall not exceed the purchase price of the product paid by the original consumer.

NOTE: Some states do not allow an exclusion or limitation of incidental or consequential damages, so some of the above limitations or exclusions may not apply to you. This limited warranty gives you specific legal rights as set forth herein. You may also have other rights which vary from state to state. In the state of California only, if refinishing or replacement of the product is not commercially practicable, the retailer selling this product or the Manufacturer will refund the purchase price paid for the product, less the amount directly attributable to use by the original consumer-purchaser prior to discovery of the nonconformity. In addition, in the state of California only, you may take the product to the retail establishment selling this product in order to obtain performance under this limited warranty.

If you wish to obtain performance of any obligation under this limited warranty, you should write to:

**Consumer Relations
P. O. Box 1240
Columbus, GA 31902-1240**

Consumer returns will not be accepted unless a valid Return Authorization is first acquired. Authorized returns are clearly marked on the outside of the package with an RA number and the package is shipped freight/postage pre-paid. Consumer returns that do not meet these standards will be refused.

TABLE DES MATIÈRES

Renseignements relatifs à la garantie.	1
Importantes consignes de sécurité	7
Symboles de sécurité.	7
Consignes générales de sécurité.	8
Utilisation et entretien.	8-10
Sécurité alimentaire.	10
Garantie limitée.	11
Schéma des pièces	17
Liste des pièces	18
Montage	20-28
Dépannage.	30
Fiche d'enregistrement.	32

A LA PERSONA QUE INSTALE O ARME ESTE APARATO:

Deje este manual al cliente.

AL CONSUMIDOR:

Conserve este manual para que lo pueda consultar en el futuro.

«Cette notice contient des renseignements importants permettant pour utilisation sécuritaire de l'appareil»

«Suivre toutes les mises en garde et toutes les instructions lors de l'utilisation de l'appareil.»

Symboles de sécurité

Vous trouverez ci-dessous une explication de la signification de chaque symbole. Lisez et respectez toutes les consignes qui apparaissent partout dans le présent guide.



DANGER : indique une situation dangereuse imminente qui, si elle n'est pas évitée, entraînera la mort ou des blessures graves.



AVERTISSEMENT : indique une situation potentiellement dangereuse qui, si elle n'est pas évitée, pourrait entraîner la mort ou des blessures graves.



ATTENTION : indique une situation potentiellement dangereuse ou une pratique à risque qui, si elle n'est pas évitée, pourrait entraîner des blessures mineures ou modérément graves.



Pour utilisation domestique uniquement. Ne pas utiliser à des fins commerciales.

IMPORTANTES CONSIGNES DE SÉCURITÉ

Lors de l'utilisation d'appareils électriques, il convient de toujours prendre des mesures de précaution de base, telles que les suivantes :

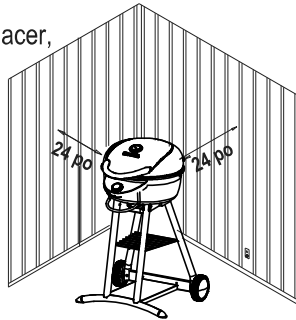
LISEZ TOUTES LES INSTRUCTIONS

- Ne touchez pas les surfaces chaudes. Servez-vous des poignées ou des boutons.
- Pour vous protéger des chocs électriques, n'immergez ni le cordon d'alimentation, ni les fiches, ni le contrôleur ni l'élément chauffant dans l'eau ou dans tout autre liquide.
- Exercez une surveillance étroite lorsque l'appareil est utilisé par des enfants ou à proximité d'eux.
- Débranchez le cordon de la source de courant lorsque le moteur n'est pas utilisé, ainsi qu'avant de procéder au nettoyage du grill. Laissez-le refroidir avant de mettre ou d'enlever des pièces.
- Ne faites pas fonctionner un appareil dont le cordon d'alimentation ou la fiche sont endommagés, qui a connu un dysfonctionnement ou qui a été endommagé de quelque manière que ce soit. Renvoyez l'appareil au centre de service à la clientèle agréé le plus proche afin de le faire examiner, réparer ou ajuster. Appelez le centre de service pour grills afin d'obtenir le remplacement d'un cordon d'alimentation ou d'un contrôleur.
- L'utilisation d'accessoires qui ne sont pas recommandés par le fabricant de l'appareil peut causer des blessures.
- Ne laissez pas le cordon d'alimentation pendre de la table ou du comptoir, et ne le laissez pas entrer en contact avec des surfaces chaudes.
- Ne placez pas l'appareil sur un brûleur à gaz ou à électricité chaud ou dans un four chauffé.
- Il convient d'user d'une extrême précaution lorsqu'on déplace un appareil qui contient de l'huile chaude ou d'autres liquides chauds.
- N'utilisez pas cet appareil à des fins autres que celles auxquelles il est destiné.
- N'utilisez ce grill qu'avec un circuit protégé par un interrupteur.
- Pour empêcher le grill d'être éclaboussé ou de tomber dans l'eau, ne l'utilisez pas à moins de 3 mètres (10 pieds) d'une piscine, d'un étang ou d'un autre plan d'eau.
- Gardez le grill et le contrôleur secs et à l'abri de la pluie à tout moment.
- Débranchez le grill lorsqu'il n'est pas utilisé et avant de le déplacer.
- N'enlevez jamais la fiche de mise à la terre et n'utilisez jamais le grill avec un adaptateur à deux broches.
- Gardez les fiches électriques sèches et au-dessus du sol.
- Ne vaporisez pas d'eau ou d'autre produit liquide pour nettoyer l'appareil sans avoir auparavant débranché le contrôleur électrique et avoir enlevé l'élément chauffant.
- Il convient de ne pas utiliser de combustible tel que des briquettes de charbon de bois avec cet appareil.
- Ne l'alimentez qu'avec une prise correctement mise à la terre.

CONSERVEZ CES INSTRUCTIONS

Consignes générales de sécurité

1. Ne touchez pas les surfaces chaudes avec les mains nues. Utilisez les poignées et les boutons fournis pour faire fonctionner le grill.
2. Ne laissez jamais le grill sans surveillance lorsqu'il est ALLUMÉ.
3. Gardez les enfants à l'écart du grill, qu'il soit froid ou chaud.
4. Utilisez des ustensiles de barbecue à long manche pour la cuisson.
5. Laissez refroidir le grill avant de le déplacer, de le nettoyer ou de le ranger.
6. Gardez une distance minimale de 24 po (2 pi) entre le grill et les murs ou les rampes.
7. Pour usage à l'extérieur uniquement. Ne l'utilisez pas à l'intérieur ou à des fins commerciales.
8. N'entreposez pas d'essence, de kérosène ou d'autres liquides inflammables à moins de 20 pieds de ce grill lorsqu'il est utilisé.
9. Rangez le grill à l'abri des intempéries.
10. N'utilisez que les accessoires recommandés par le fabricant.
11. Il incombe à l'installateur ou au propriétaire d'assembler, d'installer et d'entretenir le grill à gaz.



Utilisation et entretien de votre grill

Avant la première utilisation du grill :

- Enlevez tout emballage et toute étiquette du grill. N'utilisez pas d'outils pointus pour enlever les étiquettes autocollantes.
- Lavez la grille de cuisson avec de l'eau chaude savonneuse, rincez et séchez à fond.

Avant chaque utilisation du grill :

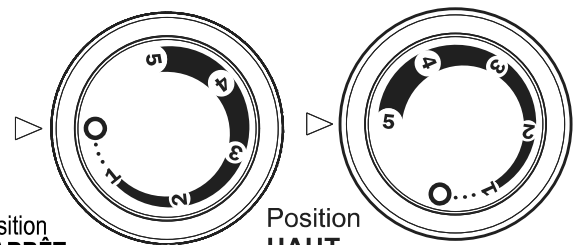
- N'utilisez le grill que sur une surface solide et horizontale pour éviter qu'il ne bascule.
- Pour que les coupe-circuits de la maison ne se déclenchent pas, gardez le contrôleur électrique sec et n'utilisez aucun autre appareil électrique sur le même circuit.
- Vérifiez que le récipient à graisse est vide et qu'il est fixé sous le trou d'écoulement.
- Pour une cuisson sans adhésion, appliquez une bonne couche d'huile végétale ou d'huile végétale en aérosol sur la grille de cuisson. Si une brosse avec soies est employée pour nettoyer les surfaces de cuisson du grill, assurez-vous qu'aucune soie ne reste sur les surfaces avant de procéder à la cuisson. Il est déconseillé de nettoyer les surfaces de cuisson alors que le grill est chaud.

Mise en marche du grill :

- Assurez-vous que le contrôleur électrique est tourné jusqu'au bout dans le sens antihoraire, jusque sur la position d'arrêt (**OFF**).
- Branchez le cordon d'alimentation dans une prise correctement mise à la terre, protégée avec un interrupteur de défaut à la terre (GFI). Si l'utilisation d'une rallonge électrique est nécessaire, se reporter à la section « Utilisation de la rallonge électrique et sécurité » à la page 3.
- Tournez le bouton dans le sens horaire. Le voyant devrait s'allumer.

Préchauffage du grill :

- Gardez le couvercle du grill fermé.
- Pour le grillage, préchauffez pendant 15 à 20 minutes avec le contrôleur sur la position **MAX**. (voir l'illustration ci-dessous)



Position
D'ARRÊT

Position
HAUT

Alignez les réglages du bouton du contrôleur avec le voyant ou l'indicateur sur le boîtier du contrôleur, tel qu'illustré



AVERTISSEMENT



Ne pas utiliser de rallonges de calibre 16 ou 18. Cela pourrait occasionner des dommages au câblage résidentiel ou un incendie.

Utilisation d'une rallonge électrique et sécurité

- Pour obtenir le meilleur rendement du grill, l'utilisation d'une rallonge électrique **n'est pas** recommandée.
- Si vous devez utiliser une rallonge électrique, voici ce que vous devez faire pour assurer votre sécurité :**
- Utilisez uniquement le type extérieur avec une prise à la terre à 3 broches, de 15 ampères ou plus, approuvée par UL, marquée d'un W et d'une étiquette indiquant « Convient pour une utilisation avec un appareil extérieur ».
- Utilisez la rallonge électrique la plus courte possible. Ne branchez pas deux rallonges électriques ou plus à la suite l'une de l'autre. Une rallonge électrique de calibre 12 ou 14, d'une longueur maximale de 50 pi, est acceptable.
- Les connexions doivent demeurer sèches et à distance du sol.
- Ne laissez aucune rallonge électrique pendre sur le bord d'une table ou d'un autre objet où elle est susceptible de faire trébucher quelqu'un ou d'être tirée par des enfants.

Interrupteur de défaut à la terre

- Depuis 1971, le Code national de l'électricité et Code Canadien de l'Électricité (CEC) exige l'installation d'interrupteurs de défaut à la terre sur tous les circuits extérieurs.
- Si votre résidence a été construite avant 1971, consultez un électricien qualifié afin de déterminer si une telle protection existe.
- N'utilisez pas cet appareil si le circuit n'est pas protégé par un interrupteur de défaut à la terre.
- Ne branchez pas cet appareil dans un circuit intérieur.



AVERTISSEMENT



- Tout manquement à suivre toutes les instructions du fabricant pourrait entraîner des blessures graves ou des dommages matériels importants.
- Soyez prudent lorsque vous utilisez votre grill.
- Lisez et suivez toutes les informations et les consignes de sécurité dans ce guide de produit avant de tenter d'assembler ou d'utiliser ce grill.

ATTENTION

N'utilisez pas d'outils pointus ou coupants pour nettoyer le grill. De tels outils de nettoyage peuvent abîmer ou percer la cuvette isolante.

N'utilisez pas de produits de nettoyage abrasifs pour le four, pas de laine d'acier et pas de brosses en métal pour nettoyer les grilles en porcelaine ou la structure du grill. Ces outils endommageront le fini.

Ne remplacez les cuvettes isolantes endommagées qu'avec des pièces de rechange certifiées par Char-Broil. N'essayez pas de réparer les pièces endommagées.

DANGER

En cas de feu, mettez le contrôleur en position d'ARRÊT, débranchez le grill et laissez le feu s'éteindre de lui-même. N'utilisez pas d'eau pour éteindre un feu dans un appareil électrique, y compris celui-ci.

Pour éviter les chocs électriques, débranchez le cordon électrique et enlevez le contrôleur électrique avant d'enlever l'élément chauffant et de nettoyer le grill. Ne plongez jamais le contrôleur électrique ou l'élément chauffant dans un liquide.

Pour éviter les brûlures, assurez-vous que le grill a refroidi avant d'enlever ou de nettoyer le contrôleur électrique ou l'élément chauffant.

Grill :

- Pour obtenir les meilleurs résultats, fermez le couvercle lors de la cuisson pour retenir la chaleur et pour permettre une cuisson complète.
- La jauge de température sur le couvercle indique la température de cuisson approximative à l'intérieur du grill.
- Les réglages du contrôleur pour les différents aliments dépendent des conditions et des préférences personnelles en matière de cuisson.

Pour éteindre le grill :

- Tournez le bouton du contrôleur jusqu'au bout dans le sens antihoraire, jusque sur la position d'arrêt (OFF).
- Débranchez le cordon de la prise.

Nettoyage du contrôleur électrique et du support de l'élément chauffant :

- Nettoyez le boîtier du contrôleur en l'essuyant au moyen d'un chiffon humecté avec un détergent doux ou de l'eau chaude savonneuse.
- Il n'est pas nécessaire de nettoyer l'élément chauffant. Toutefois, le support de l'élément peut être nettoyé au moyen d'un chiffon humecté avec un détergent doux ou de l'eau chaude savonneuse.
- Séchez le contrôleur électrique et l'élément chauffant avant d'utiliser le grill.

NO USE CARBÓN. Un fuego de carbón y dará como resultado la parrilla no está diseñado para el carbón de leña. El fuego se creará una condición insegura y daños a la parrilla.

Maîtrise des incendies de graisse :

Afin de contrôler les incendies de graisse, observez les précautions suivantes :

- Le grill doit être exempt de graisse : les risques d'incendie augmentent de façon considérable s'il y a accumulation de graisse.
- Découpez l'excès de gras sur la viande et faites cuire de la viande plus maigre afin de réduire les risques d'incendies de graisse.
- En cas de flambées soudaines pendant la cuisson, réduisez le réglage du contrôleur e fermez le couvercle.
- Si les flambées continuent, mettez le régulateur en position arrêt et débranchez le cordon d'alimentation.

Nettoyez le bol de porcelaine en dessous de l'élément chauffant au moins une fois par saison, et encore plus souvent si vous en faites une grande utilisation.

Nettoyage du grill :

L'accumulation de graisse brûlée et de particules de nourriture diminuera le rendement du grill. Pour obtenir le meilleur rendement possible :

- Nettoyez la cuvette isolante inférieure au moins une fois par saison, plus souvent si le grill est utilisé fréquemment.
Remarque : la cuvette deviendra plus foncée avec l'âge. N'essayez pas de rétablir une apparence d'aluminium luisant en la nettoyant.
- Pour obtenir les meilleurs résultats, brossez les particules vers le bas au travers du trou d'écoulement dans le fond du grill.
- En utilisant un détergent doux ou de l'eau chaude savonneuse, frottez modérément la surface de la cuvette isolante inférieure à l'aide d'une brosse à poils en plastique ou en laiton.
- Nettoyez les grilles en porcelaine régulièrement avec de l'eau chaude savonneuse ou une solution d'eau et de bicarbonate de soude. Utilisez de la poudre à récurer non abrasive pour les taches tenaces. Si une brosse avec soies est employée pour nettoyer les surfaces de cuisson du grill, assurez-vous qu'aucune soie ne reste sur les surfaces avant de procéder à la cuisson. Il est déconseillé de nettoyer les surfaces de cuisson alors que le grill est chaud.
- Nettoyez le couvercle et la structure en porcelaine avec un nettoyant non abrasif. Utilisez de la crème de tartre pour les taches tenaces.

Entreposage de votre grill :

- Nettoyez la grille de cuisson.
- Entrez le grill dans un endroit à l'abri des intempéries ou mettez la housse par dessus lorsqu'il n'est pas utilisé.

Consignes de sécurité

- Le bac à graisse **doit** être inséré dans l'appareil et vidé après chaque utilisation.
- En cas de problème avec l'appareil, consultez la rubrique « *Dépannage* ».
- Nettoyez souvent le grill, de préférence après chaque utilisation. Si une brosse avec soies est employée pour nettoyer les surfaces de cuisson du grill, assurez-vous qu'aucune soie ne reste sur les surfaces de cuisson avant de procéder à la cuisson. Il est déconseillé de nettoyer les surfaces de cuisson alors que le grill est chaud.

 **AVERTISSEMENT** 

Pour utiliser votre appareil en toute sécurité et pour éviter des blessures graves :

- La consommation d'alcool ou de médicaments, qu'ils soient en vente libre ou sur ordonnance, peut affecter la capacité de l'utilisateur de l'appareil lors de son installation ou de son utilisation.
- Avant de procéder à la cuisson d'aliments avec l'appareil, celui-ci doit être positionné de niveau sur une surface stable, et ce, dans un endroit libre de tout matériel inflammable.
- Ne laissez pas l'appareil sans surveillance. Gardez les enfants et les animaux à distance de l'appareil en tout temps.
- Ne déplacez pas l'appareil lorsqu'il est en marche.
- Cet appareil n'a pas été conçu pour servir de radiateur.
- L'appareil sera chaud après avoir servi. Utilisez des gants ou des mitaines de cuisine, ainsi que des ustensiles de cuisson au barbecue à long manche comme protection contre les surfaces brûlantes et les éclaboussures de liquides chauds.
- Gardez l'espace autour de l'appareil propre et libre de tout matériel inflammable.
- L'appareil doit être installé dans un endroit libre de matériaux combustibles, d'essence, ainsi que de tout autre gaz ou liquide inflammable.
- Ne vous servez de l'appareil que dans un endroit bien aéré.

• Résidents d'appartements :

Renseignez-vous auprès de l'administration pour connaître quelles sont les exigences et les codes d'incendie applicables à l'utilisation d'un gril à gaz dans votre immeuble. Utiliser uniquement comme autorisé.

 **ATTENTION** 

- **Il n'est pas possible d'éteindre des incendies de graisse en fermant le couvercle. Cet appareil est bien aéré pour des raisons de sécurité.**
- **Ne laissez pas l'appareil sans surveillance lorsque vous brûlez les résidus de nourriture. Si l'appareil n'a pas été nettoyé régulièrement, un incendie de graisse peut se déclarer et l'endommager.**

 **AVERTISSEMENT** 

PROPOSITION 65 DE CALIFORNIE

1. Les sous-produits de combustion libérés lors de l'utilisation de ce produit sont reconnus dans l'État de Californie comme étant susceptibles de causer le cancer, des anomalies congénitales, ou autres dangers relatifs à la reproduction.
2. Ce produit contient des produits chimiques, y compris du plomb et des composés au plomb, reconnus dans l'État de Californie comme susceptibles de causer le cancer, des anomalies congénitales, ou autres dangers relatifs à la reproduction.

Lavez-vous les mains après avoir manipulé cet appareil.

Sécurité alimentaire :

La sécurité alimentaire contribue de façon importante à assurer une expérience agréable lors d'un barbecue en plein air. Pour protéger la nourriture contre les bactéries, respectez les quatre étapes de base suivantes.

Propreté : lavez-vous les mains, nettoyez les ustensiles et toutes les surfaces à l'eau chaude savonneuse avant et après avoir manipulé de la viande ou de la volaille crue.

Séparation : séparez la viande et la volaille crues des aliments prêts à être consommés afin d'éviter toute contamination entre les aliments. Utilisez un plateau et des ustensiles propres pour servir des aliments cuits.

Cuisson : cuisez entièrement la viande et la volaille afin d'éliminer les bactéries. Utilisez un thermomètre pour vous assurer que la nourriture a atteint des températures internes adéquates.

Réfrigération : réfrigérez sans tarder les aliments cuits et les restes.

Pour de plus amples renseignements, appelez la téléassistance USDA Meat and Poultry Hotline au 1-888-MPHOTLINE (888-674-6854) à Washington, DC

Ou E-mail: mphotline.fsis@usda.gov

Ou visitez le site Web de l'USDA à www.fsis.usda.gov

Comment déterminer si la viande est bien cuite

- La viande et la volaille cuites dans l'appareil brunissent souvent très vite en surface. Utilisez un thermomètre pour vous assurer que la nourriture a atteint une température interne adéquate et sécuritaire; ouvrez l'aliment en le coupant pour vous assurer visuellement qu'il est cuit à point. Ne placez que des aliments préalablement décongelés dans l'appareil.
- Nous recommandons que les aliments placés dans l'appareil aient une température d'au moins 4 °C avant de les faire cuire.
- La volaille entière devrait atteindre une température de 74 °C. Les jus qui s'égouttent devraient être transparents, et la chair ne devrait plus être rose.
- Les steaks, les rôtis et les côtelettes de bœuf, de veau et d'agneau peuvent être cuits à 71 °C.
- Ne JAMAIS cuire la viande ou la volaille partiellement pour en terminer la cuisson plus tard. Cuisez les viandes entièrement afin d'éliminer complètement toutes les bactéries dangereuses.
- Utilisez un thermomètre pour vous assurer que la nourriture a atteint des températures internes adéquates.

Recommandées par l'USDA

Températures de cuisson internes

Viande hachée	
Bœuf, porc, veau, agneau.....	71 °C
Dinde, poulet.....	74 °C
Bœuf, veau, agneau frais	
Mi-saignant.....	63 °C
(laisser reposer 3 minutes avant de couper)	
À point.....	71 °C
Bien cuit.....	77 °C
Volaille	
Poulet et dinde entiers.....	74 °C
Morceaux de volaille.....	74 °C
Canard et oie.....	74 °C
De Porc Fresh	
Mi-saignant.....	63 °C
(laisser reposer 3 minutes avant de couper)	
À point.....	71 °C
Bien cuit.....	77 °C

GARANTIE LIMITÉE

La présente garantie n'est valide que pour les appareils achetés auprès d'un détaillant autorisé. Le fabricant garantit à **l'acheteur initial**, et uniquement celui-ci, que le produit est exempt de tout défaut de matériel et de main-d'œuvre, dans la mesure où il a été assemblé correctement, qu'il est utilisé de façon normale et raisonnable à des fins personnelles, et ce, pendant la durée de la période indiquée ci-dessous et commençant le jour de la d'achat du produit*. Le fabricant se réserve le droit de demander au client que les pièces défectueuses lui soient expédiées, port ou fret prépayé, pour fins d'examen.

Portée de la couverture	Période de couverture	Type de défaillances couvertes
Elément chauffant et cadran de commander	1 an à compter de la date d'achat *	Perforation, Défaits de fabrication et de matériel Uniquement
À feu et couvercle	2 an à compter de la date d'achat *	
Reste des pièces	1 an à compter de la date d'achat *	

*Remarque : dans la mesure où le client inscrit le produit et fournit un exemplaire du reçu de caisse ou de la facture portant la date de l'achat, la période de couverture de la garantie sera étendue de façon à commencer à la date d'achat du produit.

L'acheteur initial assume la responsabilité de l'ensemble des frais d'expédition pour le remplacement de pièces en vertu des modalités de la présente garantie limitée.

Cette garantie limitée n'est valide qu'aux États-Unis et au Canada; elle n'est en vigueur que pour l'acheteur initial du produit et n'est pas transférable. **Le fabricant exigera une preuve de la date d'achat. Par conséquent, vous devez conserver votre reçu de caisse ou votre facture.** L'enregistrement du produit ne constitue pas une preuve d'achat. Il n'appartient pas au fabricant de tenir un dossier des achats des clients.

La présente garantie limitée vise UNIQUEMENT le fonctionnement du produit et elle ne touche donc pas les questions esthétiques, telles les égratignures, les bosses, la corrosion ou la décoloration causée par la chaleur, des nettoyants abrasifs ou chimiques, quelque outil que ce soit employé lors de l'assemblage ou de l'installation de l'appareil, la rouille en surface, ni la décoloration des surfaces en acier inoxydable. La peinture n'est pas garantie et requiert des retouches. **Rouille n'est pas considéré comme un matériel de fabrication ou de défaut.**

La présente garantie limitée ne couvre pas le remboursement de frais associés à un inconfort, à une perte de nourriture, à des blessures personnelles ou au bris de biens matériels.

ÉLÉMENTS NON REMBOURSÉS PAR LE FABRICANT :

1. Frais d'expédition, service régulier ou accéléré, tant pour une pièce couverte par la garantie que pour une pièce de rechange.
2. Visite d'un réparateur à votre domicile.
3. Les réparations lorsque le produit est employé à des fins autres qu'un usage normal résidentiel pour une seule famille.
4. Des dommages, des défaillances ou des difficultés de fonctionnement découlant d'un accident, d'une modification, d'une manipulation négligente, d'une mauvaise utilisation, d'un usage abusif, d'un incendie, d'une inondation, d'une catastrophe naturelle, d'une installation ou d'un entretien inadéquats, d'un montage non conforme aux codes de l'électricité et de plomberie en vigueur, ou de l'utilisation de produits non approuvés par le fabricant.
5. Toute perte de nourriture causée par une défaillance du produit ou des difficultés de fonctionnement.
6. Les pièces de rechange ou les coûts de la main-d'œuvre pour un appareil ayant fonctionné hors des États-Unis ou du Canada.
7. Le ramassage et la livraison du produit.
8. La réparation de pièces ou de systèmes suite à des modifications non autorisées apportées au produit.
9. Le démontage ou la réinstallation de l'appareil.

STIPULATION D'EXONÉRATION DE GARANTIES et LIMITATION DES RECOURS

La réparation ou le remplacement d'une pièce défectueuse constitue votre seul recours en vertu des modalités de la présente garantie limitée. En cas de problèmes de disponibilité des pièces, le constructeur se réserve le droit de remplacer des pièces similaires qui sont également fonctionnels. Le fabricant n'assume aucune responsabilité pour tout dommage consécutif ou accessoire découlant d'une violation soit de la présente garantie soit de toute autre garantie tacite, ou pour une défaillance ou des dommages résultant d'une calamité naturelle, d'un entretien inadéquat, d'un incendie de graisse, d'un accident, d'une modification apportée à l'appareil, du remplacement de pièces par une personne autre que le fabricant, d'un mauvais usage, du transport, d'une utilisation commerciale, d'un usage abusif, de la présence d'environnements hostiles (temps non clément, catastrophes naturelles, altération par les animaux), d'une installation inadéquate ou non conforme aux codes locaux, ou des instructions imprimées du fabricant.

LA PRÉSENTE GARANTIE LIMITÉE CONSTITUE L'UNIQUE GARANTIE EXPLICITE ÉMISE PAR LE FABRICANT. LE FABRICANT NE FORMULE AUCUNE DÉCLARATION NI DESCRIPTION DE RENDEMENT ASSOCIÉE AU PRODUIT, PEU IMPORTE OÙ CELLE-CI POURRAIT FIGURER, SAUF DANS LES ÉNONCÉS DE LA PRÉSENTE GARANTIE LIMITÉE. TOUTE PROTECTION DE GARANTIE TACITE DÉCOULANT DES LOIS D'UN ÉTAT OU D'UNE PROVINCE, Y COMPRIS LES GARANTIES IMPLICITES DE QUALITÉ MARCHANDE OU D'ADAPTATION À UN USAGE OU OBJECTIF PARTICULIER., SE LIMITE À LA DURÉE DE LA PRÉSENTE GARANTIE LIMITÉE.

Ni les représentants commerciaux ni les détaillants vendant l'appareil n'ont l'autorisation de produire une garantie supplémentaire ni de promettre des recours s'ajoutant à ceux mentionnés ci-dessus, qu'ils soient ou non compatibles avec ceux-ci. Dans tous les cas, la responsabilité maximale du fabricant ne pourra dépasser le prix d'achat de l'appareil payé par l'acheteur initial.

REMARQUE : certains États ou certaines provinces n'autorisent pas les exclusions ou les restrictions de dommages consécutifs ou accessoires, de sorte qu'il est possible que certaines des restrictions ou exclusions ci-dessus ne s'appliquent pas à vous. La présente garantie limitée vous donne des droits juridiques spécifiques qui sont exposés aux présentes. Il est possible que vous disposiez d'autres droits qui peuvent varier d'un État et d'une province à l'autre. Dans l'État de Californie uniquement, si la remise en état ou le remplacement du produit n'est pas commercialement possible, le détaillant ayant vendu l'appareil ou le fabricant rembourseront le montant payé par l'acheteur, et déduiront une somme directement proportionnelle à l'utilisation par l'acheteur initial avant la découverte de la non-conformité. De plus, dans l'état de Californie uniquement, vous pouvez rapporter l'appareil au détaillant qui vous a vendu le produit afin de bénéficier des privilèges que vous donne la présente garantie limitée.

Si vous désirez qu'une obligation, quelle qu'elle soit, soit exécutée en vertu de la présente garantie limitée, vous devez écrire à :

**Consumer Relations
P. O. Box 1240
Columbus, GA 31902-1240**

Les retours de marchandise des clients ne seront acceptés que si une autorisation de retour (Return Authorization) valide a été obtenue au préalable. Les retours autorisés doivent être clairement identifiés par leur numéro sur l'extérieur de l'emballage. De plus, le fret ou les frais d'expédition doivent être prépayés. Tout retour de marchandise d'un client qui ne satisfait pas à ces critères sera refusé.

ÍNDICE DE MATERIAS

Información de inscripción de la garantía	1
Medidas importantes de seguridad	12
Símbolos de seguridad	12
Medidas de precaución en general	13
Uso y mantenimiento	13-15
Seguridad con los alimentos.....	15
Garantía limitada	16
Diagrama de piezas	17
Lista de piezas	19
Ensamblado	20-28
Resolución de problemas	31
Tarjeta de inscripción	32



Este manual de instrucciones contiene información importante, necesaria para el uso seguro del aparato.

Cuando use el aparato, siga todas las advertencias y las instrucciones.

Símbolos de seguridad

Los símbolos y las casillas ilustradas más adelante explican lo que significa cada encabezado. Lea y cumpla todo lo indicado en los mensajes que se encuentran en el manual.

	PELIGRO	
PELIGRO: Indica una situación peligrosa inminente que, de no evitarse, causará la muerte o lesiones graves.		

	ADVERTENCIA	
ADVERTENCIA: Indica una situación potencialmente peligrosa que, de no evitarse, podría causar la muerte o lesiones graves.		

	ADVERTENCIA	
ADVERTENCIA: Indica una situación potencialmente peligrosa o una práctica insegura que, de no evitarse, podría causar lesiones leves o menores.		

	ADVERTENCIA	
Sólo para uso particular. No lo use para fines comerciales.		

MEDIDAS IMPORTANTES DE SEGURIDAD

Cuando se usa aparatos eléctricos, es importante tomar precauciones básicas de seguridad, como las siguientes:

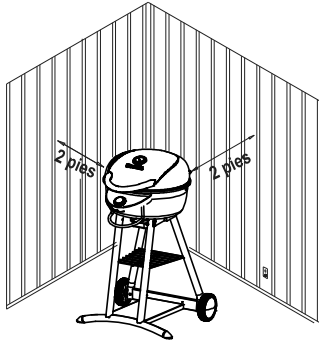
LEA TODAS LAS INSTRUCCIONES

- No toque las superficies calientes. Use las asas o las perillas.
- Para evitar descargas eléctricas, no sumerja el cable, los enchufes, el regulador ni el elemento calefactor en agua ni en ningún otro líquido.
- Es necesario supervisar a los niños cuando usen un aparato o si éste se usa cerca de ellos.
- Desconecte el cable del tomacorriente cuando no lo use, y antes de limpiarlo. Deje que se enfríe antes de colocarlo o retirarle piezas.
- No haga funcionar ningún aparato con un cable o enchufe dañado, o si falla o si ha sufrido algún daño. Devuélvalo al centro de servicios más cercano para su examen, reparación o ajuste. Llame al centro de servicios a parrillas para pedir un cable o regulador de repuesto.
- El uso de accesorios no recomendados por el fabricante del aparato puede ocasionar lesiones.
- No deje que el cable cuelgue por sobre el borde de mesas o de reposteros, ni lo coloque sobre superficies calientes.
- No lo coloque sobre o cerca de quemadores a gas o eléctricos calientes, ni sobre hornos calientes.
- Debe tener mucho cuidado al mover un aparato que contenga aceite caliente u otros líquidos calientes.
- No use el aparato con fines para los que no fue diseñado.
- Use únicamente un circuito protegido por un interruptor accionado por corriente de pérdida a tierra (o GFI por sus siglas en inglés).
- Para evitar que salpique agua la parrilla, o que se caiga al agua, no lo use a menos de 10 pies de distancia de piscinas, estanques u otras masas de agua.
- Mantenga en todo momento secos y alejados de la lluvia a la parrilla y al regulador eléctrico.
- Desconecte la parrilla cuando no la use, o antes de moverla.
- No saque nunca el enchufe con pata de conexión a tierra ni use un adaptador con dos patas.
- Mantenga los enchufes eléctricos secos y levantados del suelo.
- No use rociadores de agua ni de ningún otro líquido para limpiar la parrilla sin desconectar primero el regulador eléctrico y retirar el elemento calefactor.
- No se debe usar en este aparato materiales combustibles como briquetas de carbón vegetal.
- Enchúfelo únicamente a tomacorrientes debidamente conectados a tierra.

CONSERVE ESTAS INSTRUCCIONES

Medidas de precaución en general

1. No toque las superficies calientes sin la debida protección de las manos. Use las asas y las perillas instaladas para la operación.
2. Nunca deje la parrilla sin atender cuando esté encendida.
3. No deje que los niños se acerquen a la parrilla, tanto cuando esté caliente como cuando esté fría.
4. Use utensilios de mango largo para asar a la parrilla.
5. Antes de mover, limpiar o guardar la parrilla, deje que se enfríe.
6. Instale la parrilla a 2 pies de distancia de las paredes y de las barandas.
7. Sólo para uso doméstico, al aire libre. No la use en interiores ni con fines comerciales.
8. Cuando use la parrilla, no use ni guarde gasolina, queroseno ni otros líquidos inflamables a menos de 20 pies de distancia de la parrilla.
9. Cuando no use la parrilla, guárdela en un área protegida contra las inclemencias del tiempo o cúbrala con la funda cuando no la use.
10. Use únicamente accesorios recomendados por el fabricante.
11. Es responsabilidad de la persona que arme la parrilla o del propietario, el armar, instalar y mantener la parrilla.



No use cables de extensión de medida 16 o 18. Podrían producirse daños al cableado del hogar y/o un incendio.

Medidas de seguridad para el uso de cables de prolongación

- Para un mejor funcionamiento de la parrilla, le recomendamos que no use cables de prolongación.

Si tiene que usarlos, por su propia seguridad:

- Use solo el tipo para exteriores con un enchufe de conexión a tierra de 3 clavijas, con capacidad nominal de 15 amperios o más, aprobado por UL, marcado con una W y una etiqueta que indique "Adecuado para uso con electrodomésticos para exteriores".
- Use el cable de prolongación más corto que sea necesario. No conecte juntos 2 o más cables de prolongación. Puede usar un cable de prolongación de calibre 12 o 14, de 50 pies de longitud o menor.
- Mantenga las conexiones secas y levantadas del suelo.
- No deje que el cable cuelgue por sobre el borde de la encimera de las mesas o de otros lugares donde los niños puedan jalarlos o tropezarse con ellos.

Interruptor accionado por corriente de pérdida a tierra

- Desde 1971, el reglamento nacional de instalaciones eléctricas o National Electric Code (NEC, por sus siglas en inglés) exige el uso de dispositivos con interruptor accionado por corriente de pérdida a tierra en todo circuito eléctrico al aire libre.
- Si su residencia fue construida antes de 1971, ésta debe ser inspeccionada por un electricista calificado para determinar si está protegida por un interruptor accionado por corriente de pérdida a tierra.
- No use este aparato si el circuito no está protegido por un GFI.
- No enchufe este aparato en un circuito eléctrico bajo techo.

Uso y mantenimiento de la parrilla

Antes de usar la parrilla:

- Retire todas las etiquetas de ventas y todo el material de embalaje de la parrilla. No use herramientas afiladas para retirar las etiquetas adheridas.
- Lave la parrilla de cocción con agua jabonosa tibia, enjuáguela y séquela bien.

Antes de usar la parrilla:

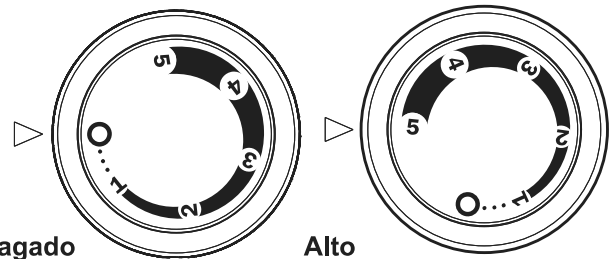
- Use la parrilla únicamente sobre superficies firmes y niveladas para evitar que se vuelque.
- Para evitar que se activen los disyuntores de los circuitos eléctricos de la casa, mantenga seco el regulador eléctrico y no use otros productos eléctricos en el mismo circuito.
- Verifique que el recipiente para la grasa esté vacío e instalado debajo del orificio de drenaje.
- Para evitar que la comida se adhiera, aplique generosamente una capa de aceite vegetal o de aceite vegetal en aerosol a la parrilla de cocción. Si utiliza un cepillo de cerdas para limpiar las superficies para cocinar, antes de usar la parrilla verifique que no queden cerdas sueltas sobre éstas. Se recomienda no limpiar las superficies para cocinar cuando la parrilla esté aún caliente.

Para encender la parrilla:

- Verifique que el regulador eléctrico esté girado en sentido contrario a las agujas del reloj hasta la posición de APAGADO.
- Enchufe el cable eléctrico a un tomacorriente debidamente conectado a tierra, protegido por un interruptor accionado por corriente de pérdida a tierra (o GFI por sus siglas en inglés). Si es necesario usar un cable de prolongación, consulte en la página 3 la sección titulada "Uso y protección de los cables de prolongación".

Para calentar previamente la parrilla:

- Mantenga cerrada la tapa.
- Precaliéntela para dorar, durante unos 15 o 20 minutos con el regulador graduado a la posición ALTO. (Vea la siguiente ilustración)



Apagado
Posición

Alto
Posición

Alinee la graduación de la perilla del regulador con la luz/el puntero de la caja del regulador, como se ilustra



- Si no sigue todas las instrucciones del fabricante, podrían producirse lesiones personales y/o daños a la propiedad.
- Tenga cuidado cuando use su parrilla.
- Lea y siga toda la información y las advertencias de seguridad en esta guía de producto antes de intentar ensamblar o usar esta parrilla.



PELIGRO



En caso de incendio, apague el regulador, desconecte la parrilla del tomacorriente y deje que se apague el fuego. No use agua para apagar un incendio en éste ni en ningún otro aparato eléctrico.

Para evitar descargas eléctricas, antes de retirar el elemento calefactor y limpiar la parrilla, desconecte el cable eléctrico y retire el regulador eléctrico a la parrilla. No sumerja nunca el regulador ni el elemento calefactor en ningún líquido.

Para evitar la posibilidad de sufrir quemaduras, verifique que la parrilla esté fría antes de retirar o de limpiar el regulador eléctrico y el elemento calefactor.



ADVERTENCIA



No use utensilios afilados ni puntiagudos para limpiar la parrilla. Este tipo de utensilios de limpieza pueden rasgar o perforar el protector de aislamiento.

No use productos de limpieza abrasivos para hornos ni cepillos de metal para limpiar la rejillas revestidas de porcelana ni el cuerpo de la parrilla, porque dañarán el acabado.

Cambie los protectores de aislamiento dañados únicamente por repuestos certificados por Char-Broil. No intente reparar las piezas dañadas.

Para asar a la parrilla:

- Para mejores resultados, cocine con la tapa puesta en la parrilla, para conservar el calor y lograr un nivel de cocción completo.
- El medidor de temperatura de la tapa indica la temperatura aproximada en el interior de la parrilla.
- La graduación del regulador para los diferentes tipos de comida depende de las condiciones en que se cocina y de las preferencias personales del cocinero.

Para apagar la parrilla:

- Gire completamente la perilla del regulador en sentido contrario a las agujas del reloj, hasta la posición de APAGADO.
- Desconecte el cable eléctrico del tomacorriente.

Limpieza de soporte del controlador y el elemento calefactor eléctrico:

- Caja del controlador Limpie con un paño húmedo con un detergente suave o con agua caliente y jabón.
- No es necesario limpiar el elemento de calentamiento. Sin embargo, el elemento de soporte se puede limpiar con un paño húmedo con un detergente suave o con agua caliente y jabón.
- Controlador eléctrico en seco y el elemento calefactor antes de su uso.

Consejos de seguridad

- La bandeja de grasa debe ser insertado en aparato y vaciado después de cada uso.
- Si usted tiene un aparato problema consulte la sección "Solución de problemas de la Sección".
- Limpie la parrilla con frecuencia, preferiblemente después de cada cookout. Si una cerda cepillo se utiliza para limpiar toda la parrilla de las superficies de cocina, garantizar que no se suelta cerdas permanecen en las superficies antes de la cocción asar a la parrilla. No se recomienda para limpiar superficies de cocina mientras que la parrilla está caliente.

Cómo controlar el fuego producido por la grasa:

Siga las siguientes medidas de precaución para controlar los fuegos producidos por la grasa:

- Limpie la grasa de la parrilla; las probabilidades de que se produzca un incendio son mucho mayores cuando la grasa se acumula.
- Recorte la grasa excedente de la carne y use cortes menos grasos para reducir las probabilidades de que se produzca un incendio debido a la grasa.
- Si se producen llamaradas mientras cocina, reduzca la graduación en el regulador y cierre la tapa.
- Si las llamaradas continúan, lleve el regulador a la posición de APAGADO (OFF) y desenchufe el cable de suministro eléctrico.
- Limpie el tazón de porcelana ubicado debajo del elemento calefactor al menos una vez por temporada, con mayor frecuencia si el uso es intensivo.

Cómo limpiar la parrilla:

La acumulación excesiva de grasa quemada y de partículas de comida reducen el desempeño de la parrilla. Para que funcione óptimamente:

- Limpie el protector inferior de aislamiento al menos una vez por temporada, pero con mayor frecuencia cuando la use a menudo.
- Se logran mejores resultados eliminando con un cepillo la acumulación de partículas de comida y a través del orificio de drenaje ubicado en el fondo de la parrilla.
- Con un cepillo de cerdas de plástico o de bronce y un detergente suave o agua jabonosa caliente, refregue moderadamente la superficie del protector inferior de aislamiento.
- Limpie regularmente las rejillas revestidas de porcelana con agua jabonosa tibia o con una solución de bicarbonato de soda y agua. Use un polvo de limpieza no abrasivo para las manchas difíciles de eliminar.
- Limpie la tapa y el cuerpo revestido de porcelana con un producto de limpieza no abrasivo. Use crema de tártaro para las manchas difíciles.

Cómo guardar su parrilla:

- Limpie la parrilla de cocción.
- Guarde la parrilla en un lugar protegido de las inclemencias del tiempo o cúbrala con la funda cuando no la use.



ADVERTENCIA



PROPOSITION 65 DEL ESTADO DE CALIFORNIA

1. En el estado de California se sabe que los subproductos de la combustión en este aparato, contienen sustancias químicas que causan cáncer, defectos congénitos u otras lesiones al aparato reproductor.

2. Este producto contiene sustancias químicas como el plomo y sus compuestos que, en el estado de California, se sabe que causan cáncer, defectos congénitos u otras lesiones al aparato reproductor.

Lávese las manos después de manipular este producto.



ADVERTENCIA



Para usar su aparato en forma segura y para evitar lesiones graves:

- El uso de alcohol, medicamentos recetados o no recetados puede afectar la capacidad del consumidor de armar correctamente el aparato o de operarlo de manera segura.
- Cuando cocine, el aparato debe estar sobre una superficie nivelada y estableen un área libre de material combustible.
- No deje el aparato desatendido. Mantenga a los niños y las mascotas lejos del aparato en todo momento.
- No mueva el aparato cuando esté en uso.
- Este aparato no está diseñado para usarse como calefactor y nunca debería usarse como tal.
- Este aparato está caliente durante su uso y después de él. Usemanoplas o guantes para horno con aislamiento yutensilios para asar a la brasa con mango largo para protegerse de las superficies calientes o de las salpicaduras de los líquidos durante su cocción.
- Mantenga el área del aparato limpia y sin materiales combustibles.
- Mantenga el área del aparato limpia y sin materiales combustibles, gasolina y otros vapores y líquidos inflamables
- Use el aparato únicamente en espacios bien ventilados.

• Para personas que viven en apartamentos:

Pídale al administrador que le indique cuáles son los requisitos y los códigos contra incendios que corresponden al uso de parrillas eléctricasen su edificio de apartamentos. Use el aparato sólo según lo permitido.



ADVERTENCIA



- **Poner a fuego la grasa con el cierre de la tapa no es posible. Este aparato está bien ventilado y por razones de seguridad.**
- **No deje aparato desatendido mientras quema de residuos de alimentos. Aparato si no se ha limpiado con regularidad, un incendio se puede producir la grasa que puede dañar el producto.**

NO USO CARBÓN. A fuego y Carbon Dara Como Resultado no no está la parrilla el párrafo Diseñado carbono de leña. El fuego se creara Una Condición insegura Daños no tiene parrilla.

Seguridad con los alimentos

La seguridad con los alimentos es una parte muy importante del disfrute de su parrillada al aire libre. Siga estos cuatro pasos básicos para proteger a los alimentos contra las bacterias nocivas:

Limpieza: Lávese las manos, lave los utensilios y las superficies con agua jabonosa caliente, antes y después de manipular carnes y aves crudas.

Separación: Mantenga las carnes y las piezas de aves crudas separadas de los alimentos listos para comer, para evitar la contaminación cruzada. Use bandejas y utensilios limpios para servir los alimentos preparados.

Cocción: Cocine bien las carnes y las piezas de ave, para matar las bacterias. Use un termómetro para verificar que los alimentos alcancen la temperatura interna adecuada.

Refrigeración: Refrigere con prontitud los alimentos preparados y las sobras.

**Para más información llame: Carnes y Aves del USDA en 1-888-MPHOTLINE (888-674-6854) en Washington, DC
O E-mail: mpholine.fsis@usda.gov
O visite el sitio web del USDA en www.fsis.usda.gov**

Bandeja para la grasa

- Nunca use directamente el jugo que gotea de la bandeja para la grasa para preparar la salsa. Use el forro de aluminio para la bandeja para la grasa que viene con el aparato para recoger el jugo de los alimentos; luego recaliente el jugo para matar las bacterias. Puede comprar forro de aluminio de repuesto y otros accesorios en www.charbroil.com.

Cómo saber cuándo las carnes están bien cocidas

- El exterior de las carnes y las presas de ave preparadas en el aparato suele dorarse rápidamente. Use únicamente carne descongelada y un termómetro para carnes, para verificar que los alimentos alcancen una temperatura interna segura, y corte la carne para verificar visualmente si ya está lista.
- **Le recomendamos que antes de cocinar los alimentos en su aparato, éstos estén a una temperatura de al menos 40° F.**
- La temperatura de las aves enteras debe alcanzar 165° F. El jugo de las mismas debe ser transparente y la carne no debe tener color rosado.
- Los filetes de carne de res, de ternera, y de cordero, los asados y las chuletas de cerdo se pueden cocer a 160° F.
- NUNCA cocine parcialmente las presas de carne o de aves, para terminar de cocinarlas después. Cocine los alimentos completamente, para destruir las bacterias nocivas.
- **Use un termómetro para verificar que los alimentos alcancen la temperatura interna adecuada.**

Temperaturas internas de cocción

recomendadas por USDA

Carne molida	
Carne de vaca, cerdo, ternera, cordero	160° F
Pavo, pollo	165° F
Carne fresca de vaca, ternera, cordero	
Poco cocido	145° F
(con 3 minutos de reposo)	
Medio cocido	160° F
Bien cocido	170° F
Aves de corral	
Pollo y pavo, entero	165° F
Trozos de ave	165° F
Pato y ganso	165° F
Carne fresca de cerdo	
Poco cocido	145° F
(con 3 minutos de reposo)	
Medio cocido	160° F
Bien cocido	170° F

GARANTÍA LIMITADA

Esta garantía es válida únicamente para las unidades adquiridas de los distribuidores autorizados. El fabricante le garantiza únicamente **al consumidor-comprador original**, que este producto no presentará defectos de mano de obra ni de materiales por el período indicado a continuación, contado desde la fecha de compra*, si se arma correctamente y se usa en el hogar, en condiciones normales y razonables. El fabricante se reserva el derecho de exigir la devolución de las piezas defectuosas, enviadas con el porte o el flete pagado por el consumidor, para ser revisadas y examinadas.

ALCANCE DE LA COBERTURA	PLAZO DE COBERTURA	TIPO DE FALLA AMPARADA
Elemento y termostato	1 Año de fecha de compra *	SOLO DEFECTOS DE PERFORACIÓN, DE FABRICACIÓN Y DE MATERIALES
Fuego caja y tapa	2 Año de fecha de compra *	
Todas las demás partes	1 Año de fecha de compra *	

*Nota: A fecha de recibo de compra serán necesarios para el servicio de garantía.

Son de responsabilidad del consumidor-comprador original todos los gastos de envío de las piezas cambiadas en virtud de las condiciones de esta garantía limitada.

Esta garantía limitada es válida únicamente en Estados Unidos y en Canadá, se ofrece únicamente al propietario original del producto y es intransferible. **El fabricante exige la presentación de evidencia de la fecha de la compra. Por tanto, debe conservar el recibo o la factura de la compra.** La inscripción del producto no reemplaza al comprobante de compra, y el fabricante no se hace responsable ni está obligado a llevar un registro de dichos comprobantes.

Esta garantía limitada atañe ÚNICAMENTE al funcionamiento del producto y no ampara rayones, abolladuras, corrosión ni decoloración ocasionada por el calor, los productos de limpieza abrasivos y químicos, ni por las herramientas usadas en el armado o en la instalación del aparato, oxidación de las superficies ni decoloración de las superficies de acero inoxidable. La pintura no esta garantizada y requerira retoques. **RUST no se considera una de fabricación o materiales defecto.**

Esta garantía limitada no ampara el costo en el que se incurra por inconvenientes, alimentos, lesiones ni daños a la propiedad.

EL FABRICANTE NO PAGARÁ LOS SIGUIENTES RUBROS:

1. El costo de envío normal o acelerado de piezas y repuestos amparados por la garantía
2. Las llamadas de servicio técnico a domicilio.
3. Reparaciones de productos que hayan sido usados para fines distintos a los normales, en casas de más de una familia o no domésticos.
4. Daños, fallas, o dificultades para hacerlo funcionar, ocasionadas por accidentes, modificaciones, manipulación descuidada, uso indebido, abuso, incendio, inundación, casos fortuitos, instalación o mantenimiento inadecuados o que no se realicen de conformidad con las disposiciones de los códigos de instalaciones eléctricas o sanitarias, o uso de productos no autorizados por el fabricante.
5. Pérdida de alimentos debidos a fallas del producto o a la dificultad para hacerlo funcionar.
6. El costo de las piezas de repuesto ni de la mano de obra para la reparación de unidades instaladas fuera de Estados Unidos o de Canadá.
7. La recogida y el envío de su producto.
8. Las reparaciones de piezas o de sistemas que hayan sufrido daños por alteraciones no autorizadas hechas en el producto.
9. La remoción y/o la reinstalación de su producto.

ESTIPULACIONES DE EXONERACIÓN DE GARANTÍAS IMPLÍCITAS; LIMITACIÓN DE LOS RECURSOS

El único recurso del que usted dispone en virtud de esta garantía limitada es la reparación o el cambio de las piezas defectuosas. En cas de problèmes de disponibilité des pièces, le constructeur se réserve le droit de remplacer des pièces similaires qui sont également fonctionnels. El fabricante no será responsable por ningún tipo de daño accesorio o indirecto ocasionado por el incumplimiento de lo estipulado ya sea en esta garantía limitada o en alguna garantía implícita pertinente, ni por las fallas o los daños ocasionados por actos fortuitos, cuidado y mantenimiento inadecuados, fuego provocado por la grasa, accidentes, modificaciones, cambio de piezas por cualquier persona que no sea el fabricante, uso indebido, transporte, uso con fines comerciales, abuso, ambientes hostiles (condiciones inclementes del tiempo, fenómenos naturales, acción de los animales), instalación inadecuada o instalación que no se realice de conformidad con las disposiciones de los códigos locales o las instrucciones impresas del fabricante.

ESTA GARANTÍA LIMITADA ES LA ÚNICA GARANTÍA EXPLÍCITA OFRECIDA POR EL FABRICANTE. EL FABRICANTE NO GARANTIZA NINGUNA ESPECIFICACIÓN O DESCRIPCIÓN DE RENDIMIENTO DEL PRODUCTO, INDEPENDIEMENTE DEL LUGAR DONDE APAREZCAN, SALVO EN LA MEDIDA SEÑALADA EN ESTA GARANTÍA LIMITADA. POR EL PRESENTE, EL PLAZO DE VIGENCIA DE LA PROTECCIÓN QUE OTORGAN LAS GARANTÍAS IMPLÍCITAS, EN VIRTUD DE LAS LEYES DE CUALQUIER ESTADO, INCLUYENDO LA GARANTÍA IMPLÍCITA ACERCA DE LA IDONEIDAD DEL PRODUCTO PARA SU COMERCIALIZACIÓN O PARA ALGÚN PROPÓSITO DETERMINADO, QUEDA LIMITADO AL PLAZO DE VIGENCIA DE ESTA GARANTÍA LIMITADA.

Ni los distribuidores, ni el negocio minorista que vende este producto, están autorizados para ofrecer ninguna garantía ni para prometer recursos adicionales o incongruentes con los arriba indicados. En todo caso, el límite máximo de responsabilidad del fabricante no será mayor que el precio de compra pagado por el consumidor original.

NOTA: Algunos estados no permiten la exclusión ni la limitación de daños accesorios o indirectos, de manera que es posible que las limitaciones o exclusiones arriba señaladas no correspondan en su caso. Esta garantía le otorga derechos específicos, señalados aquí. Es posible que usted tenga otros derechos que pueden variar de un estado a otro. Sólo en el estado de California, en el caso en que no sea comercialmente viable reparar o cambiar el acabado del producto, el minorista que vende este producto o el fabricante le reembolsarán el precio de compra pagado por el mismo, menos la cantidad directamente atribuible al uso dado por el consumidor-comprador original, antes de haber descubierto la falla. Además, y únicamente en el estado de California, usted podrá llevar el producto al negocio minorista que venda este producto para solicitar servicios en virtud de esta garantía limitada.

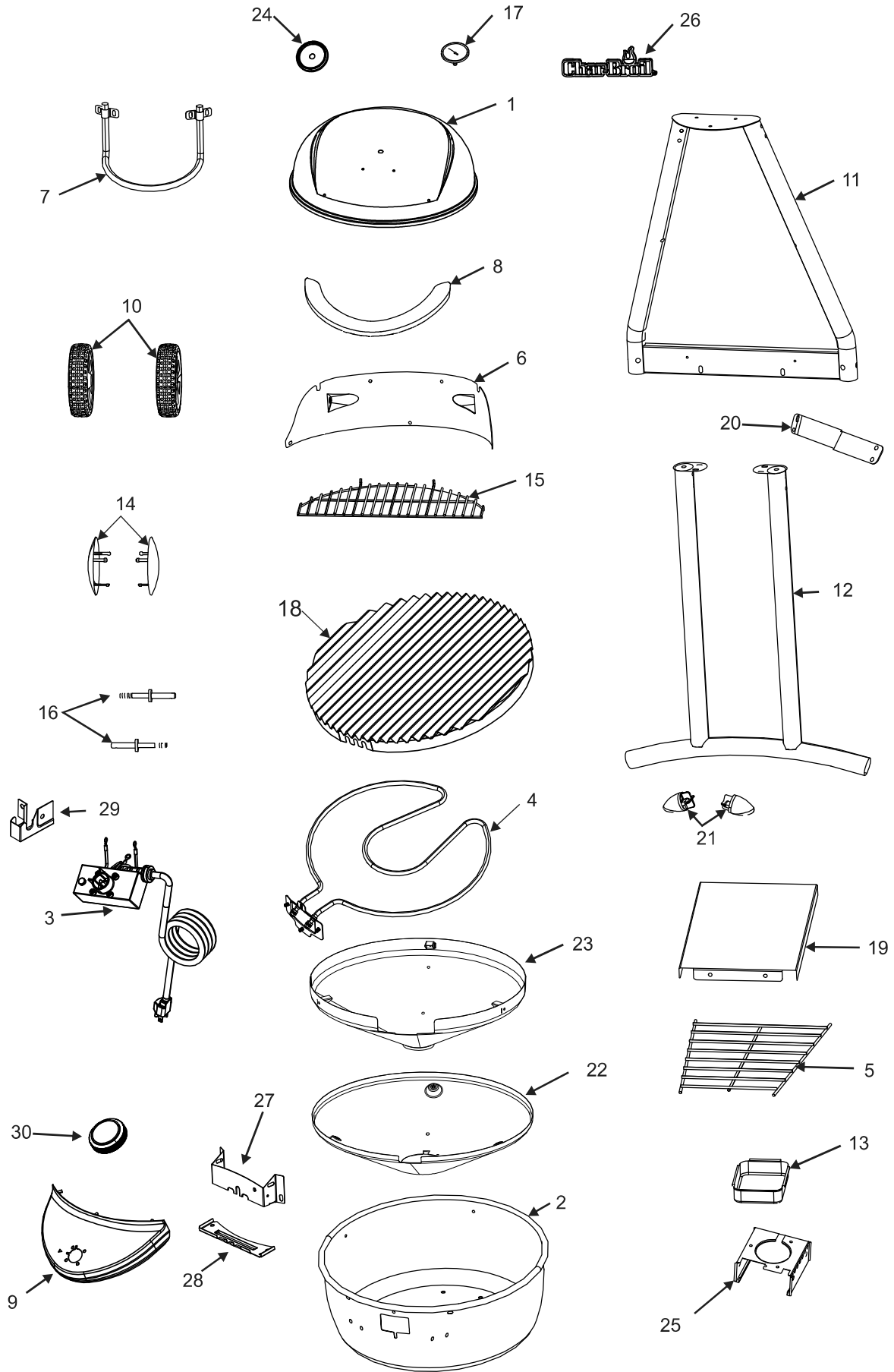
Si desea obtener algún servicio en virtud de esta garantía limitada, debe dirigir su correspondencia a:
Consumer Relations
P. O. Box 1240
Columbus, GA 31902-1240

No se aceptarán las devoluciones por parte del consumidor a menos que haya obtenido primero una autorización válida de devolución. Debe rotular de manera legible la parte exterior del paquete de devolución autorizada con su número de autorización de devolución y remitir dicho paquete con el flete o el porte pagado. Se rechazará toda devolución del consumidor que no cumpla con las reglas anteriores.

PARTS DIAGRAM

SCHEMA DES PIÈCES

DIAGRAMA DE PIEZAS



PARTS LIST

Key	Qty	Description
1	1	GRILL LID
2	1	GRILL LOWER BODY
3	1	CONTROLLER
4	1	HEATING ELEMENT ASSEMBLY
5	1	WIRE SHELF
6	1	WIND SHIELD
7	1	TOWEL BAR
8	1	LID HANDLE
9	1	CONTROL PANEL
10	2	WHEEL
11	1	REAR LEG SET
12	1	FRONT LEG SET
13	1	GREASE TRAY
14	2	HUBCAP
15	1	WARMING RACK

Key	Qty	Description
16	2	AXLE
17	1	HEAT INDICATOR
18	1	COOKING GRATE
19	1	CART BASE
20	1	CART BRACKET
21	2	LEG CAP
22	1	HEAT SHIELD
23	1	INNER REFLECTOR
24	1	BEZEL
25	1	GREASE TRAY GUIDE
26	1	LOGO PLATE
27	1	CONTROLLER HEAT SHIELD
28	1	CONTROLLER HEAT SHIELD COVER
29	1	POWER CORD MOUNTING BRACKET
30	1	CONTROL KNOB

NOT Pictured

...	1	HARDWARE PACK
...	1	PRODUCT GUIDE. ENGLISH, FRENCH, SPANISH

LISTE DES PIÈCES

Clé	Qte	Description
1	1	COUVERCLE DE GRIL
2	1	CORPS INFÉRIEUR
3	1	CONTRÔLEUR
4	1	ELÉMENT ASSEMBÉE
5	1	PLATEAU
6	1	BOUCLIER DE VENT
7	1	BARRE DE SERVIETTE
8	1	POIGNÉE POUR LE COUVERCLE
9	1	PANNEAU DE COMMANDE
10	2	ROUE
11	1	ENSEMBLE ARRIÈRE DE JAMBE
12	1	ENSEMBLE AVANT DE JAMBE
13	1	PLATEAU DE GRAISSE
14	2	CHAPEAU DE ROUE
15	1	RECHAUFFEMENT PLATEAU

Clé	Qte	Description
16	2	AXE
17	1	INDICATEUR DE LA CHALEUR
18	1	CUISSON DE LA GRILLE
19	1	LE PANIER DE BASE
20	1	PARENTHÈSE DE CHARIOT
21	2	BOUCHONS
22	1	CHALEUR BOUCLIER
23	1	RÉFLECTEUR INTÉRIEUR
24	1	BISEAU
25	1	GUIDE DE PLATEAU DE GRAISSE
26	1	PLAQUE DU LOGO
27	1	CONTRÔLEUR DE CHALEUR SHIELD
28	1	CONTRÔLEUR DE BOUCLIER THERMIQUE DE COUVERTURE
29	1	CORDON SUPPORT DE MONTAGE
30	1	BOUTON DE COMMANDE

Non représentés

...	1	PAQUET DE MATÉRIEL
...	1	GUIDE DES PRODUITS, ANGLAIS, FRANÇAIS, ESPAGNOL



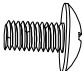
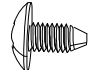
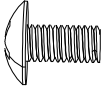
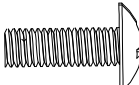

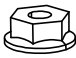


LISTA DE PIEZAS

Llave	Qte	Descripción
1	1	PARILLA TAPA
2	1	PARTE INFERIOR DEL CUERPO
3	1	CONTROLADOR
4	1	ELEMENTO DE MONTAJE
5	1	ALAMBRE DE PLATAFORMA
6	1	VIENTO ESCUDO
7	1	TOALLA BARRA
8	1	MANGO TAPA
9	1	CAJA DE CONTROL
10	2	RUEDA
11	1	PIERNAS TRASERAS ASAMBLEA
12	1	LA PATA DELANTERA ASAMBLEA
13	1	ENGRASE LA BANDEJA
14	2	TAPACUBOS
15	1	CALENTAMIENTO PLATAFORMA

Llave	Qte	Descripción
16	2	EJE
17	1	INDICADOR DE CALOR
18	1	RALLE DE COCINA
19	1	CESTA DE PLATAFORMA
20	1	CESTA SOPORTE
21	2	GORRO PIERNA
22	1	ESCUDO DE CALOR
23	1	REFLECTOR INTERIOR
24	1	BISEL
25	1	GUIA DE ENGRASE LA BANDEJA
26	1	PLACA DEL LOGOTIPO
27	1	CONTROLADOR DE CALOR SHIELD
28	1	CONTROLADOR DE CALOR SHIELD CUBIERTA
29	1	CABLE DE SOPORTE DE MONTAJE
30	1	CONTROL DE MANDO

No muestra	Qte	Descripción
...	1	PAQUETE DE HARDWARE
...	1	GUÍA DEL PRODUCTO, INGLÉS, FRANCÉS, ESPAÑO

HARDWARE LIST / LISTA DE HERRAJES / LISTE DE MATÉRIEL

KEY / CLV / CLE	DESCRIPTION / DESCRIPCIÓN	IMAGE	QTY / QTE / CANT
A	Wheel Retaining Clip Circlip de roue Retención de la rueda		2
B	3/8-16 Nut 3/8-16 Écrou 3/8-16 Tuercas		2
C	10-24 x 3/8" Screw 10-24 x 3/8" Vis 10-24x3/8" Tornillo		5
D	#10 x 3/8" Screw #10 x 3/8" Boulon #10 x 3/8" Tornillo		2
E	1/4-20 x 1/2" Screw 1/4-20 x 1/2" Boulon 1/4-20 x 1/2" Tornillo		4
F	1/4-20x3/4" Hinge Screw 1/4-20 x 3/4" Vis de Charnière 1/4-20x3/4" Bisagra Tornillo		2
G	1/4-20 Nut 1/4-20 Écrou de Keps 1/4-20 Tuercas		6
H	10-24 Nut 10-24 Écrou de Keps 10-24 Tuercas		10
J	Fiber Washer Rondelle de fibre Arandela de fibra		7
K	1/4-20x2" Screw 1/4-20 x 2" Boulon 1/4-20x2" Tornillo		4

NOTE: You will have extra hardware after completion of the assembly. Please discard any excess hardware.

REMARQUE: vous aurez du matériel supplémentaire à la fin de l'assemblage. Veuillez jeter tout matériel en excès.

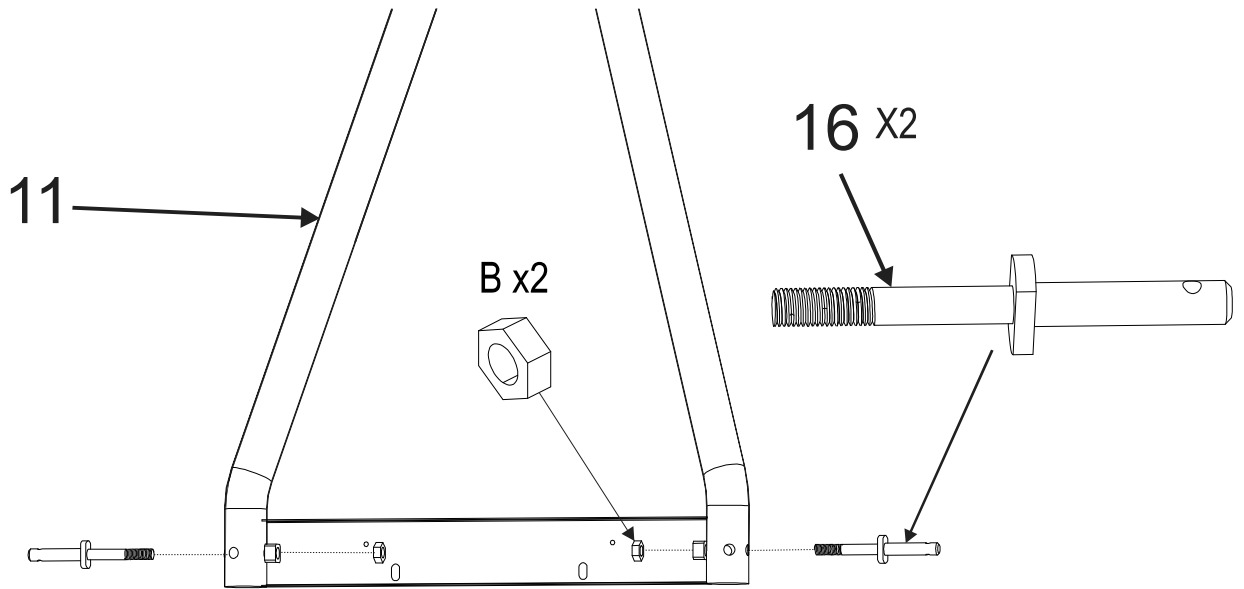
NOTA: tendrá hardware adicional después de completar el montaje. Por favor descarta cualquier exceso de hardware.

ASSEMBLY

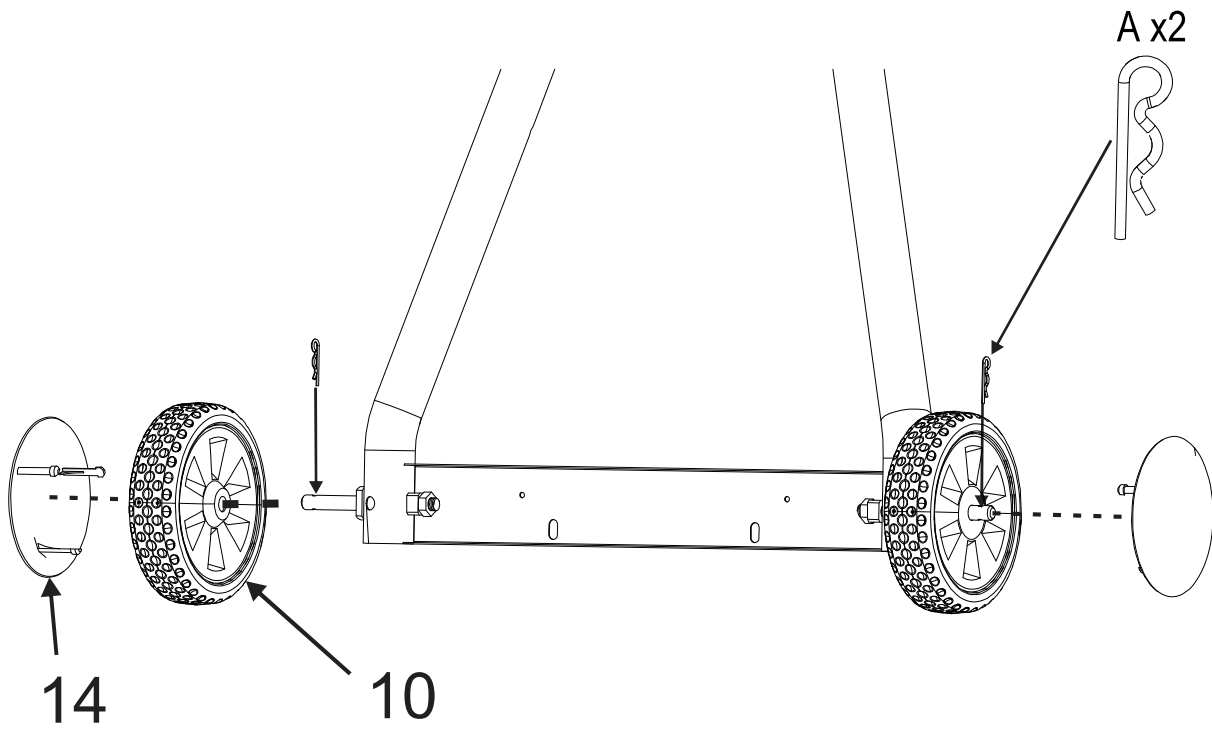
MONTAGE

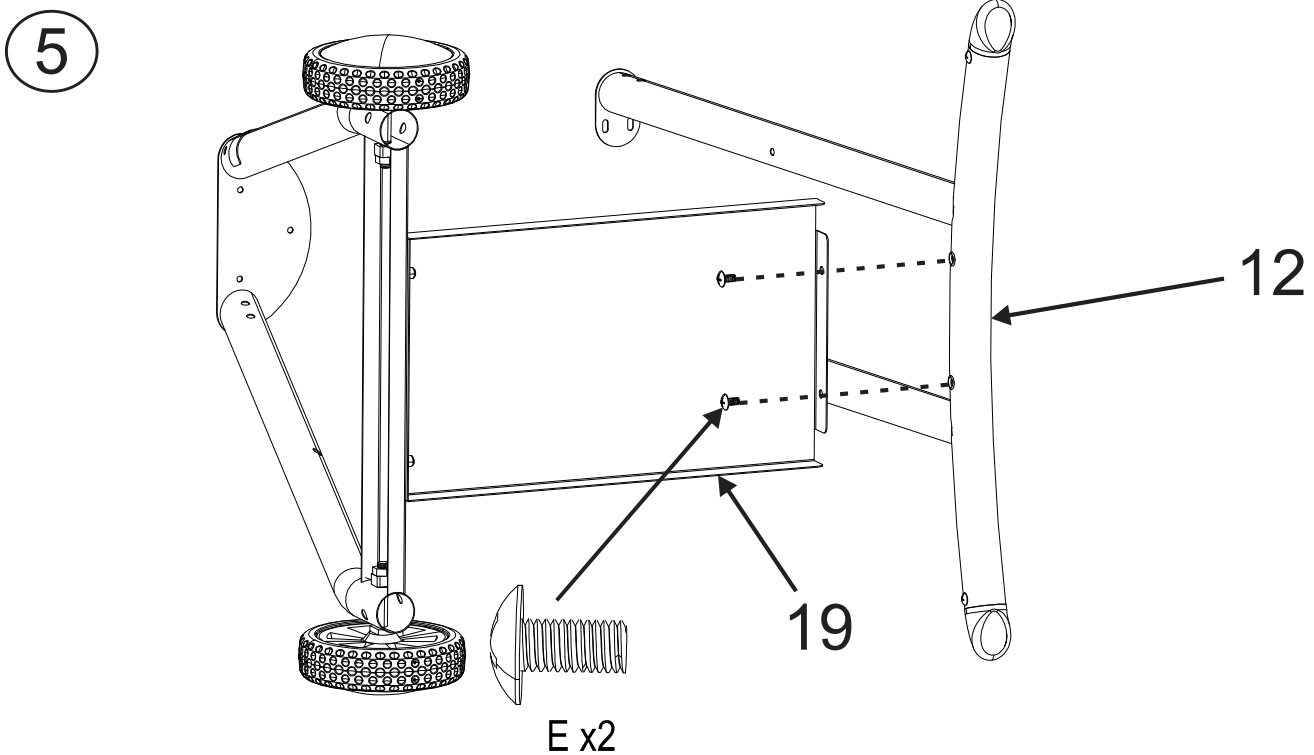
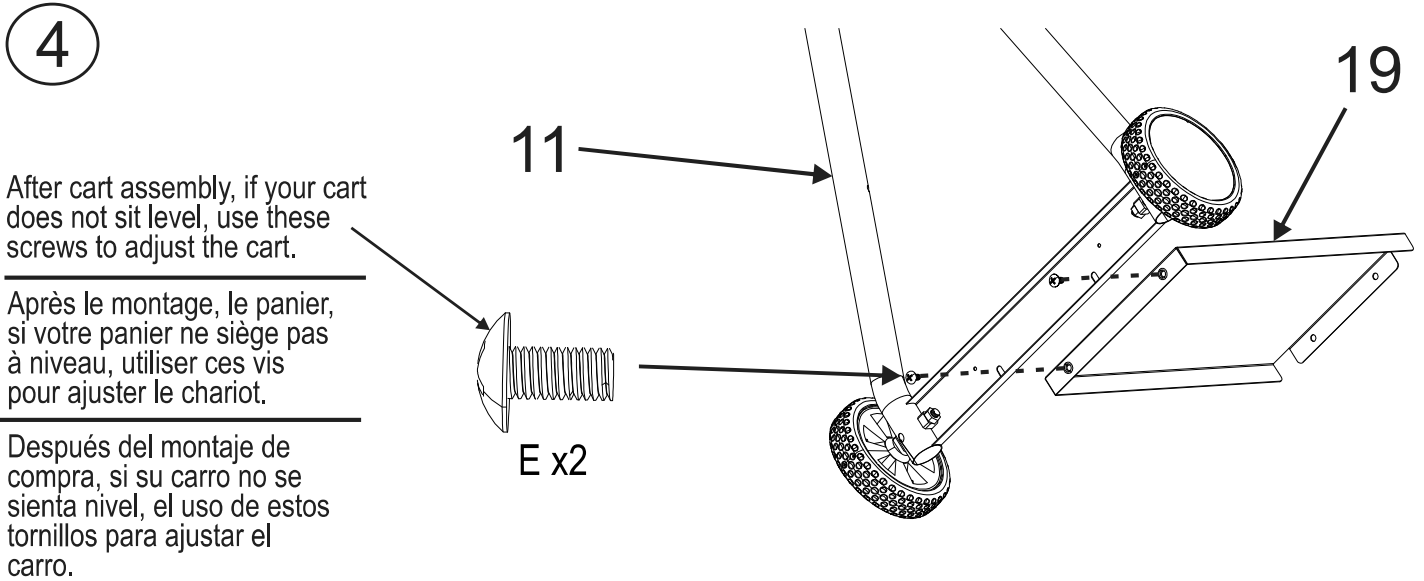
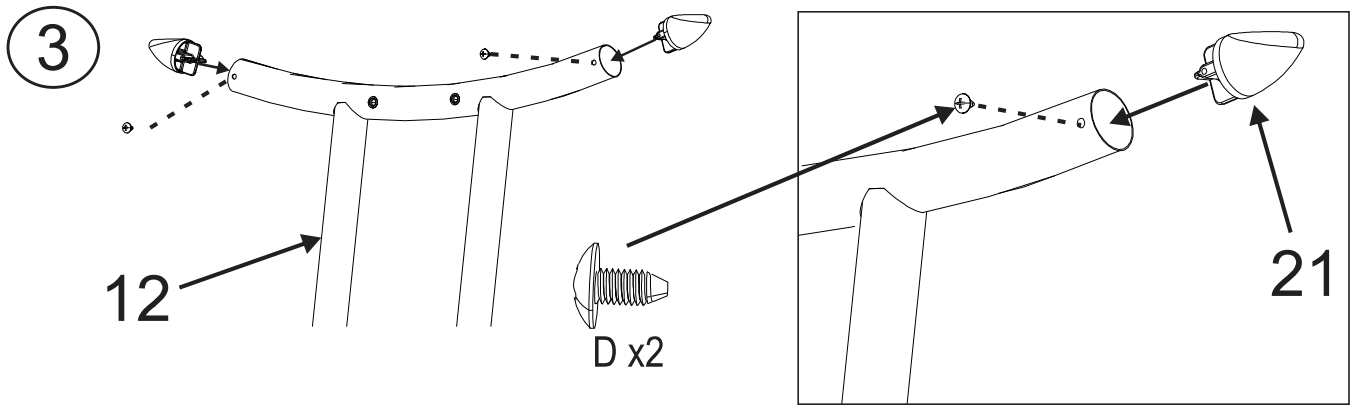
ENSAMBLADO

1

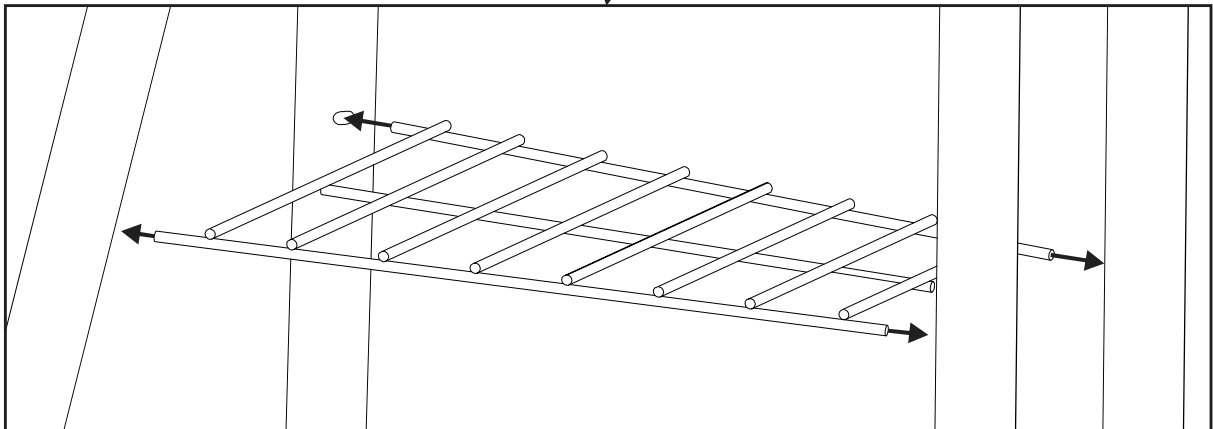
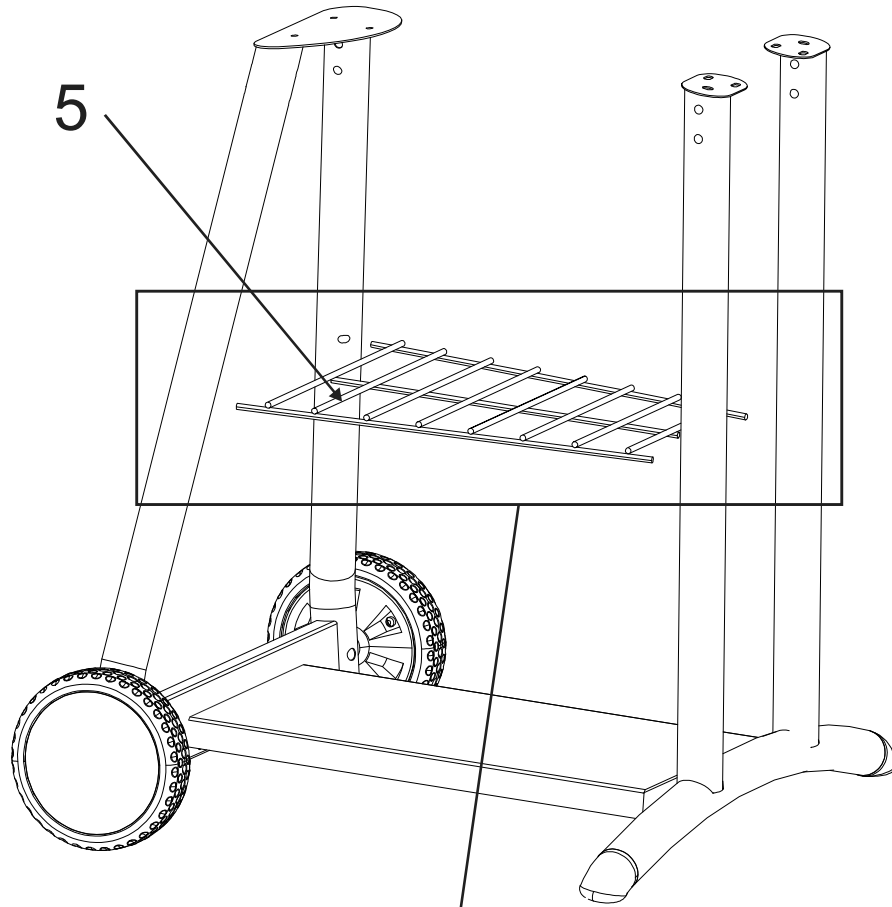


2

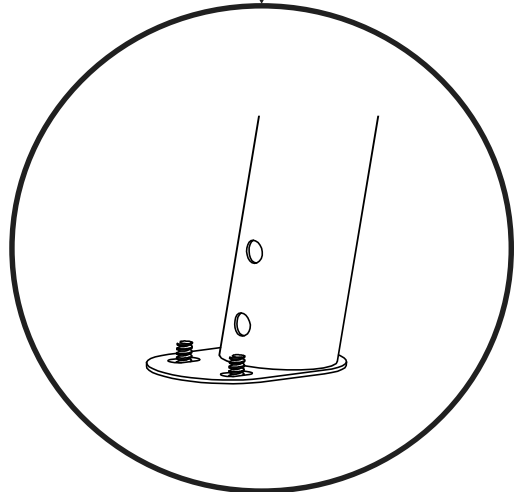
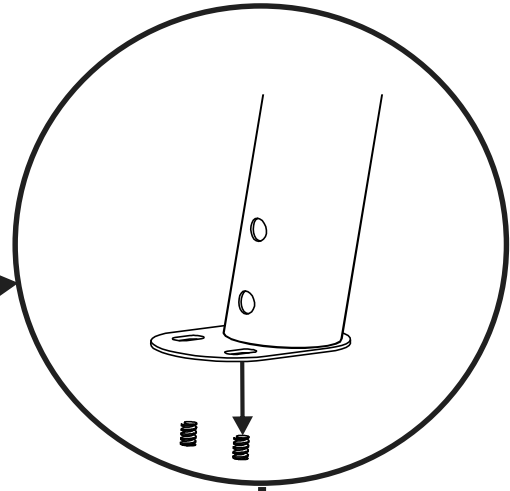
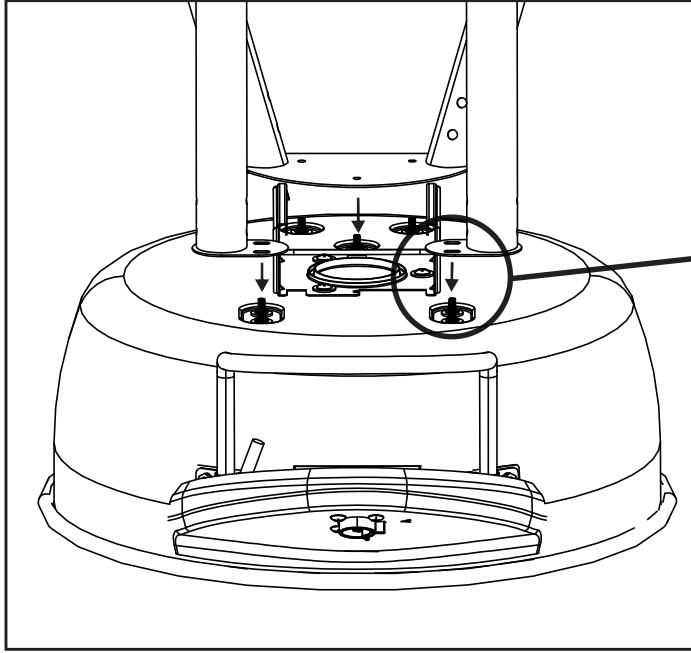




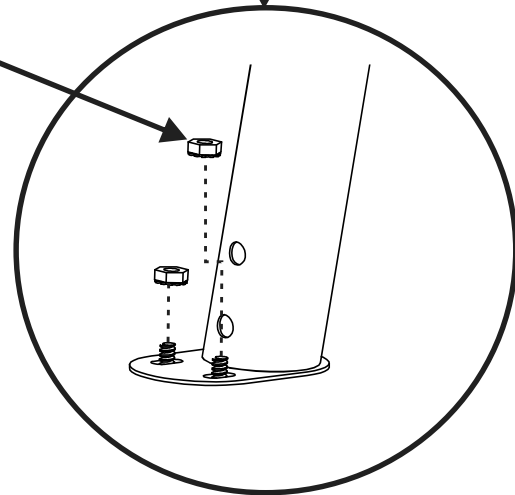
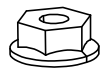
6



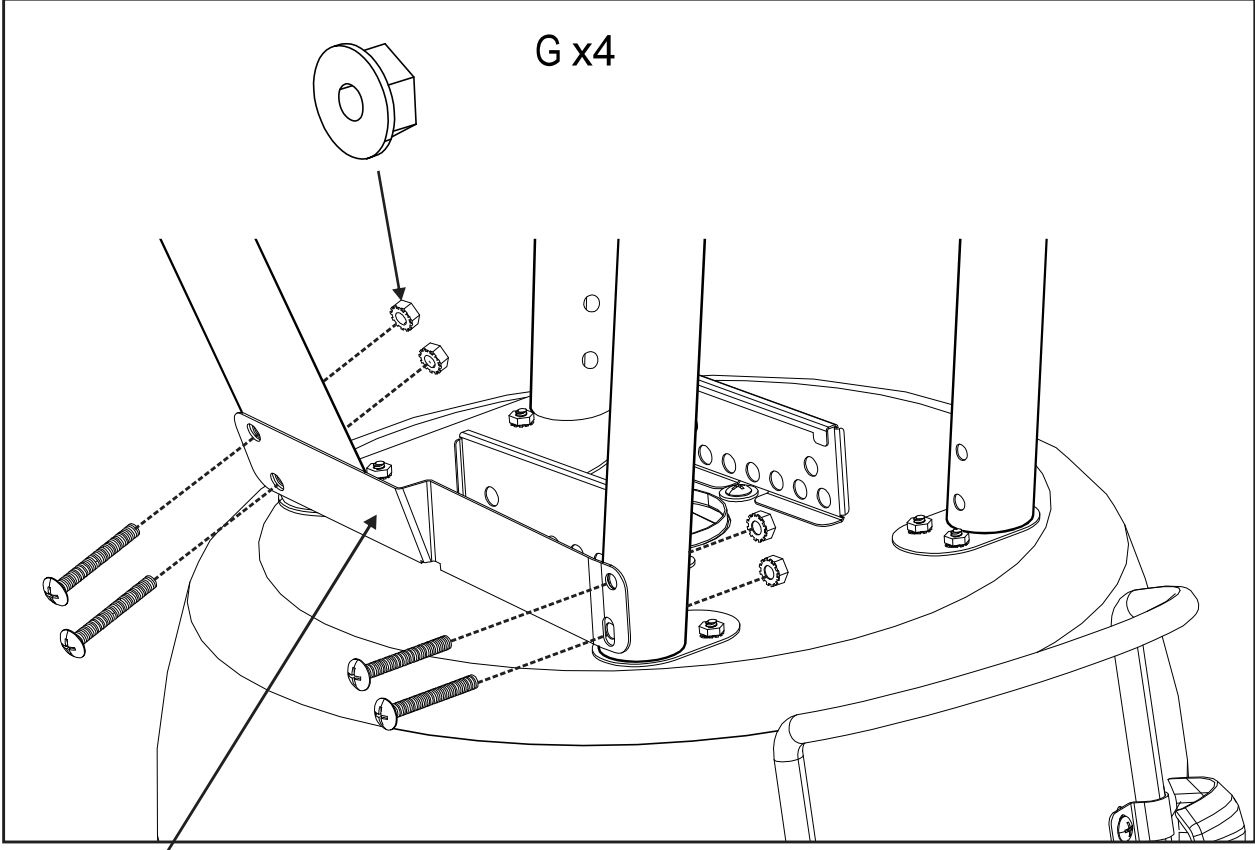
7



H x7

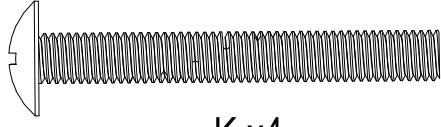


8



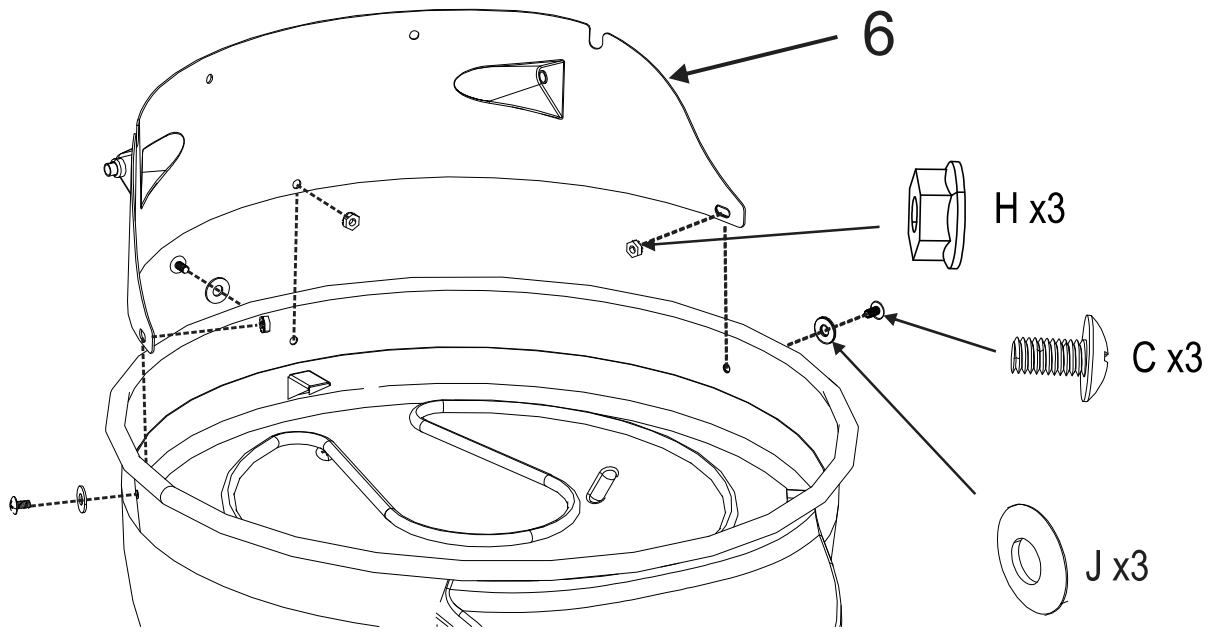
G x4

20

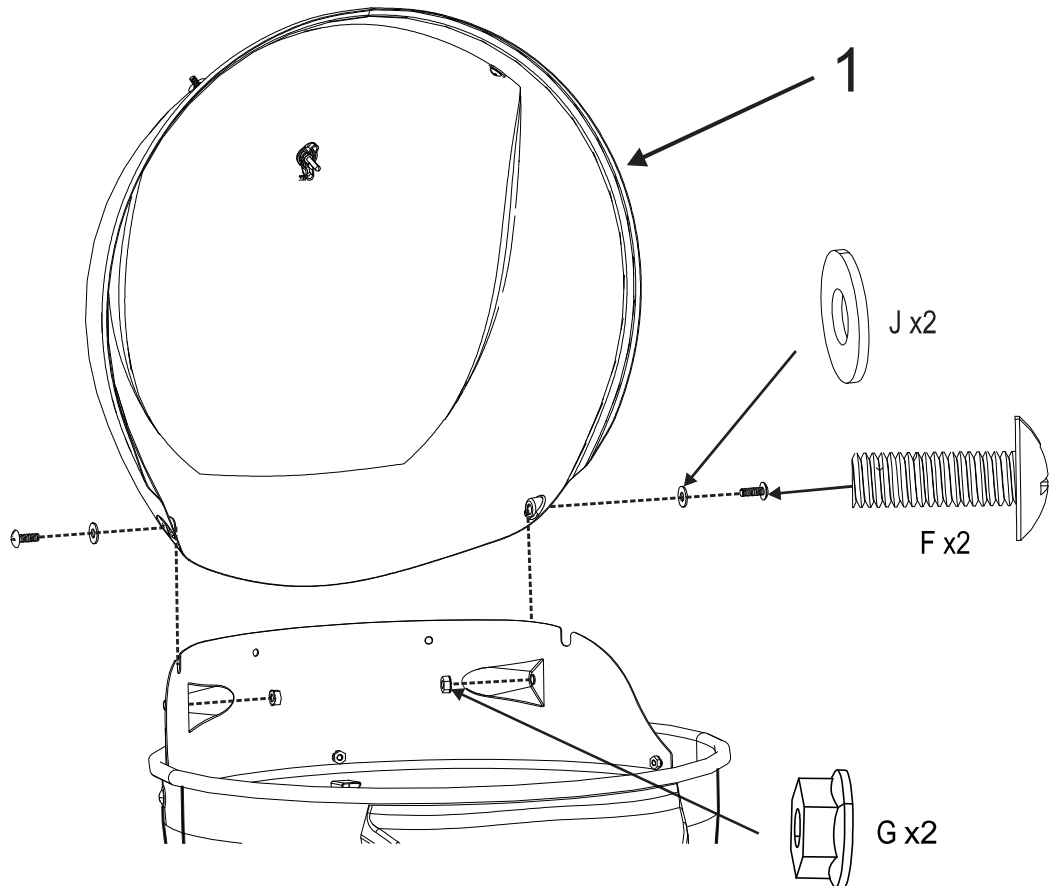


K x4

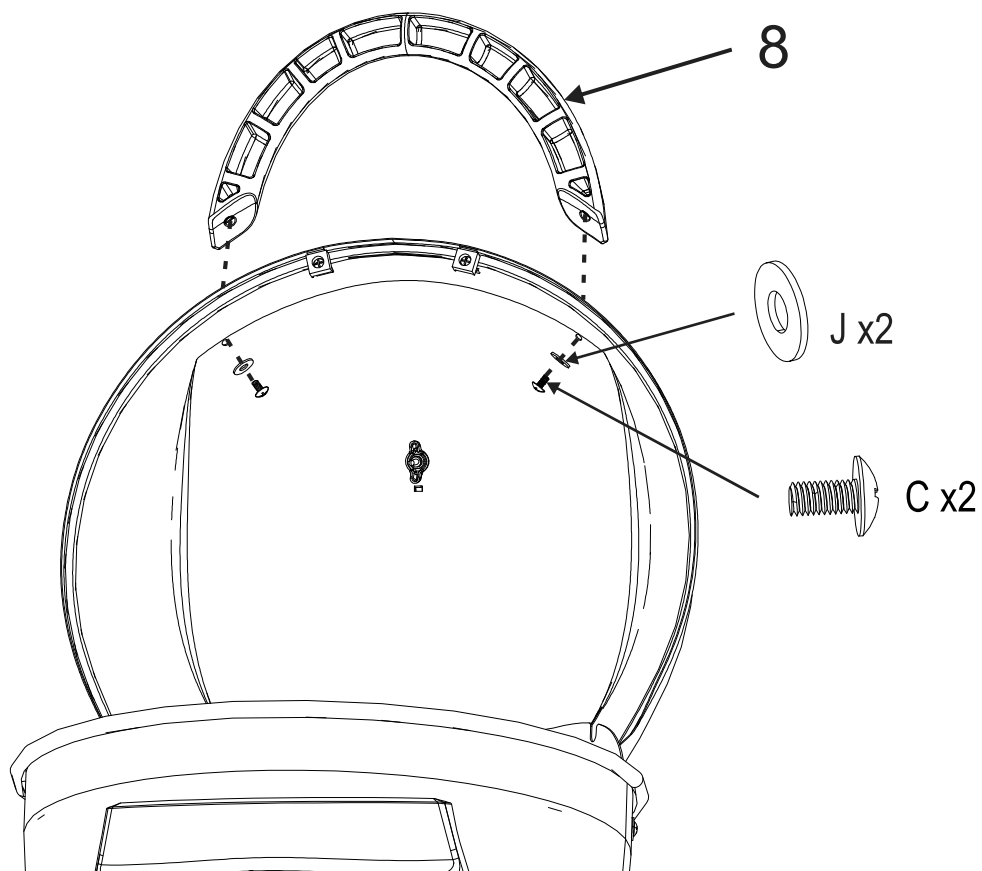
9



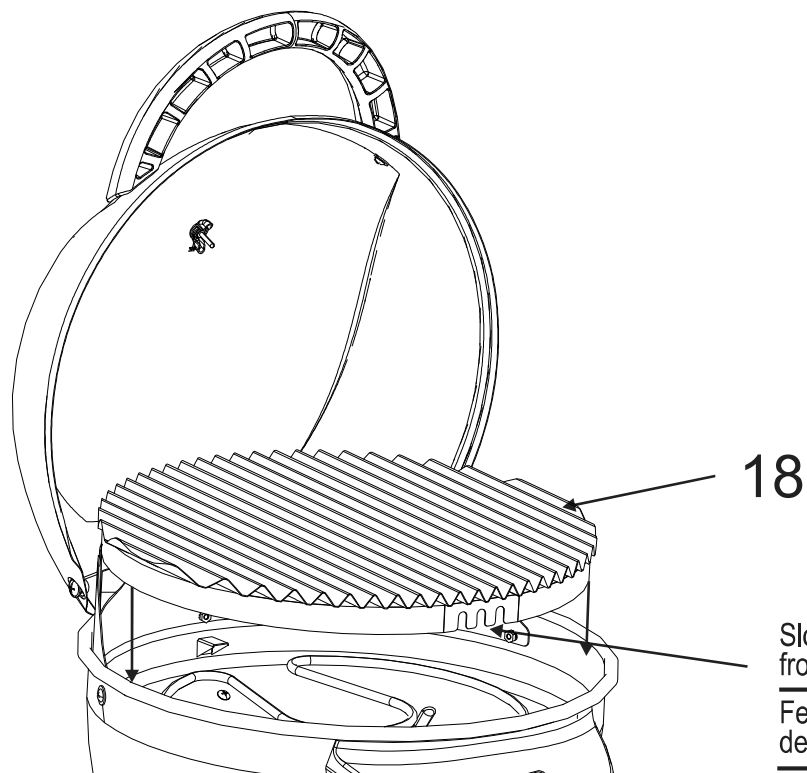
10



11

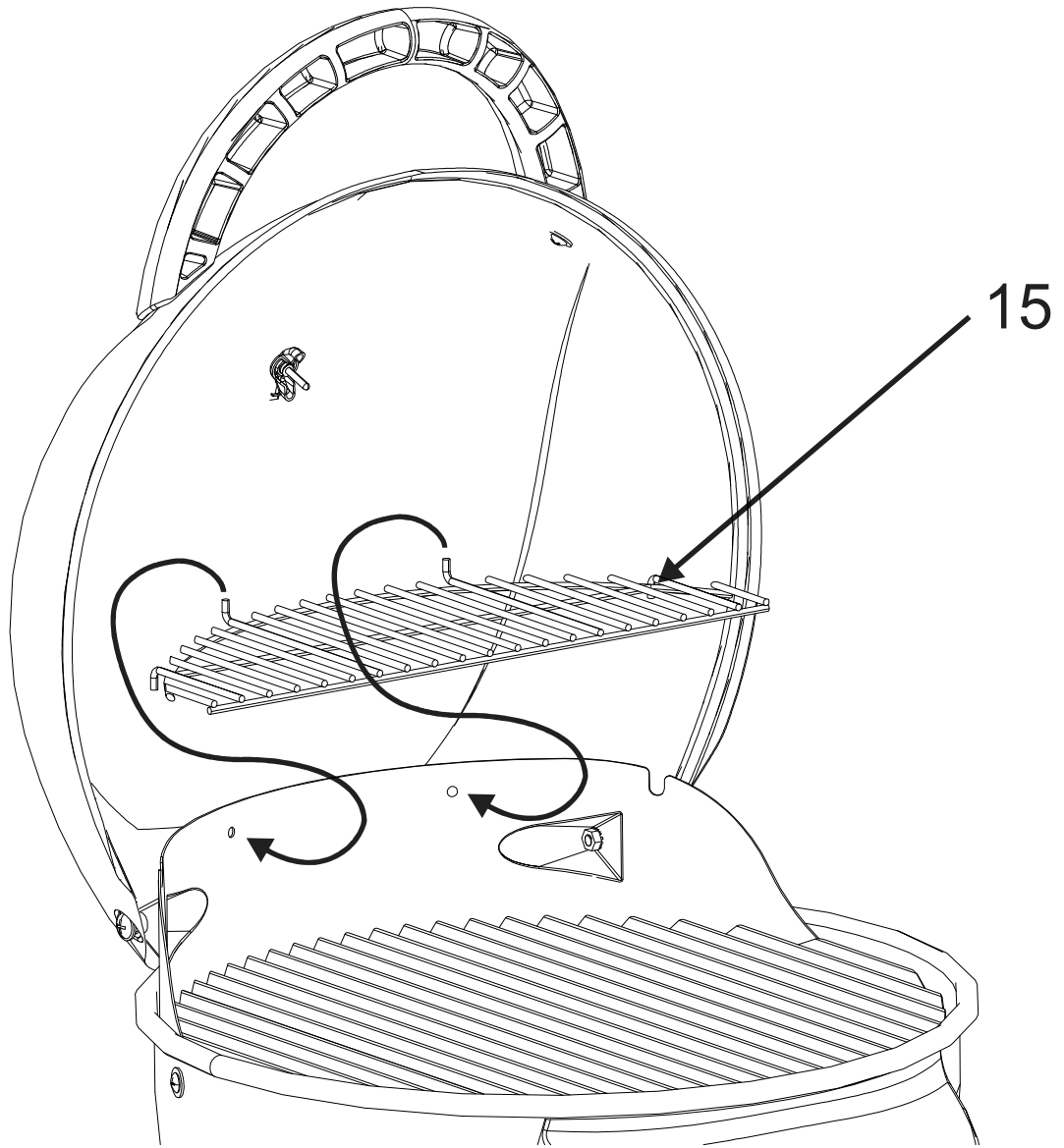


12

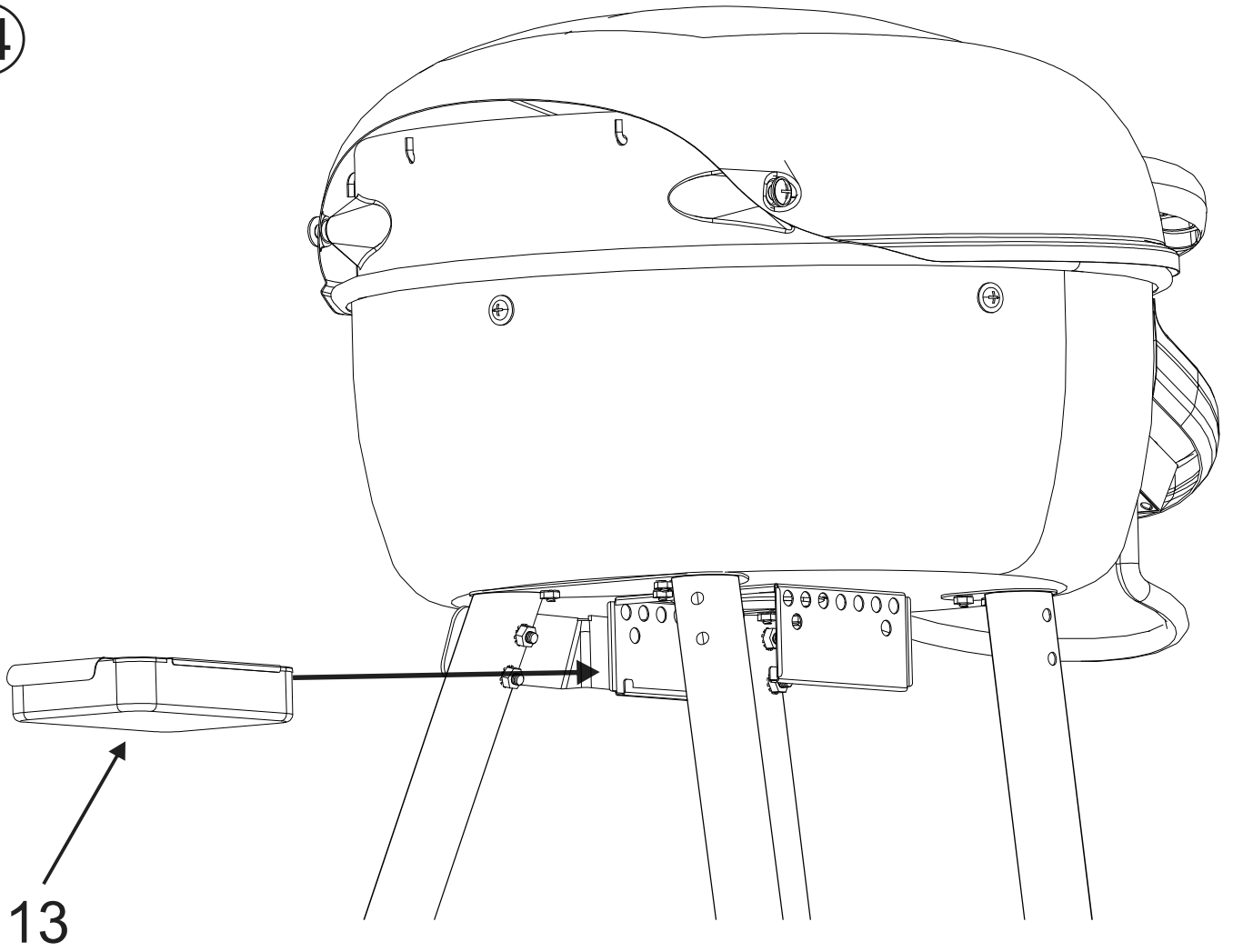


Slots to the front of the grill.
Fentes à l'avant de la grille.
Muecas acoplamiento elemento calefacción

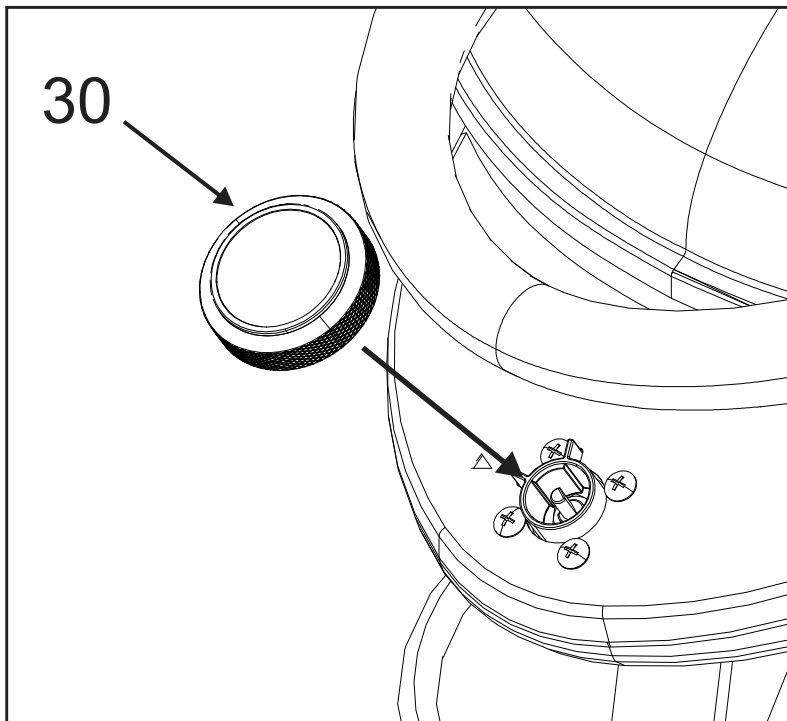
13



14



15



Troubleshooting

Problem	Possible Cause	Prevention/Solution
Grill not heating	<ul style="list-style-type: none"> • Controller turned to OFF position. • No power. • Faulty controller or heating element. 	<ul style="list-style-type: none"> • Turn controller knob to setting 5 HIGH. • Check for tripped household circuit breakers or GFI (Ground Fault Interrupter). Reset or replace if necessary. • Try a known, working appliance in the outlet. • Try a different outlet, preferably on a different circuit. • Replace controller or heating element.
Circuit breaker trips or fuse blows	<ul style="list-style-type: none"> • Power surge. • Another appliance plugged into same circuit as grill. • Moisture or water in controller or electrical connections. • Damaged cord or electrical connections. 	<ul style="list-style-type: none"> • Turn controller to OFF position before plugging into electrical outlet. • Do not use other electrical appliances on the same circuit. • Keep controller and all electrical connections dry. Do not operate unit when raining. • Replace damaged controller or extension cord.
Grill will not cook properly	<ul style="list-style-type: none"> • Lid of grill is left open. • Insufficient preheat or temperature set too low. • Inappropriate extension cord. • Excessive buildup on porcelain bowl. 	<ul style="list-style-type: none"> • Close lid on grill while cooking. • Preheat 15-20 minutes. Increase controller setting. • Replace with appropriately rated cord (15 amps). • Clean lower porcelain bowl.
Flare-ups	<ul style="list-style-type: none"> • Excess fat in meat. • Excessive cooking temperature. • Grease build up. 	<ul style="list-style-type: none"> • Trim fat from meat before grilling. • Adjust (lower) temperature as needed. • Clean grill.
Controller indicator light is not lit.	<ul style="list-style-type: none"> • Normal controller cycling. • No power. • Faulty controller. 	<ul style="list-style-type: none"> • Increase knob setting or wait for light to cycle on. • See "Grill not heating". • Replace controller or heating element.
Persistent grease fire	<ul style="list-style-type: none"> • Grease trapped by food build up. 	<ul style="list-style-type: none"> • Turn controller knob to the OFF position. Keep lid on and let fire burn out. After grill cools, clean insulation bowl. • Do not apply water to fire. Personal injury may result.

Dépannage

Problème	Cause possible	Prévention/Solution
Le gril ne chauffe pas	<ul style="list-style-type: none"> • Contrôleur en position d'arrêt • Pas de courant. • Contrôleur ou élément chauffant défectueux. 	<ul style="list-style-type: none"> • Tournez le bouton du contrôleur au réglage maximal. • Vérifiez si les interrupteurs de défaut à la terre ou les coupe-circuits ont été déclenchés. Remettez-les sur la position initiale ou remplacez-les au besoin. • Essayez une autre prise. • Remplacez le contrôleur ou l'élément chauffant.
Le coupe-circuit est déclenché ou le fusible est grillé	<ul style="list-style-type: none"> • Saute de puissance. • Un autre appareil est branché sur le même circuit que le gril. • Humidité ou eau dans le contrôleur ou les raccords électriques. • Cordon ou raccords électriques endommagés. 	<ul style="list-style-type: none"> • Tournez le contrôleur sur la position d'arrêt (OFF) avant de le brancher dans la prise électrique. • N'utilisez pas d'autres appareils électriques sur le même circuit. • Le contrôleur et tous les raccords électriques doivent demeurer secs. N'utilisez pas l'appareil lorsqu'il pleut. • Remplacez le contrôleur ou la rallonge électrique endommagés.
Le gril ne cuit pas correctement	<ul style="list-style-type: none"> • Couvercle du gril soulevé. • Préchauffage insuffisant, ou température trop basse. • Rallonge électrique inappropriée. • Accumulation excessive sur la cuvette isolante. 	<ul style="list-style-type: none"> • Fermez le couvercle du gril pendant la cuisson. • Préchauffez pendant 15 à 20 minutes. Augmentez le réglage du contrôleur. • Remplacez par un cordon de valeur nominale appropriée (15 A). • Nettoyez la cuvette isolante inférieure.
Flambées soudaines	<ul style="list-style-type: none"> • • Excédent de gras dans la viande. • Température de cuisson excessive. • Accumulation de graisse. 	<ul style="list-style-type: none"> • Enlevez le gras de la viande avant la cuisson. • Ajustez (baissez) la température au besoin. • Nettoyez le gril.
Le voyant du contrôleur est ÉTEINT	<ul style="list-style-type: none"> • Cycle normal du contrôleur. • Aucune alimentation électrique. • Contrôleur défectueux. 	<ul style="list-style-type: none"> • Augmentez le réglage du bouton ou attendez que le voyant s'allume. • Voir « Le gril ne chauffe pas ». • Remplacez le contrôleur ou l'élément chauffant.
Incendie persistant provoqué par la graisse.	<ul style="list-style-type: none"> • Graisse bloquée par l'accumulation de nourriture. 	<ul style="list-style-type: none"> • Tournez le bouton du contrôleur sur la position d'arrêt (OFF). Fermez le couvercle et laissez l'incendie s'éteindre de lui-même. Lorsque le gril aura refroidi, nettoyez la cuvette isolante. • Ne versez pas d'eau sur le feu. Cela pourrait vous causer des blessures

Resolución de problemas

Problema	Causas probables	Medidas de prevención / solución
La parrilla no calienta	<ul style="list-style-type: none"> • El regulador está apagado. • No hay electricidad. • Cambie el regulador o el elemento calefactor si están defectuosos. 	<ul style="list-style-type: none"> • Gire la perilla del regulador hasta la graduación máxima. • Verifique que no estén activados los disyuntores de los circuitos eléctricos de la casa, ni el interruptor accionado por corriente de pérdida a tierra (o GFI). Reposiciónelos o cámbielos si es necesario. • Pruebe usar otro tomacorriente. • Cambie el regulador o el elemento calefactor.
Se activa el disyuntor del circuito o se quema el fusible	<ul style="list-style-type: none"> • Aumento transitorio de la tensión. • Hay otro aparato enchufado en el mismo circuito que el de la parrilla. • Hay humedad o agua en el regulador o en las conexiones eléctricas. • Cable o conexiones eléctricas dañadas. 	<ul style="list-style-type: none"> • Gire el regulador a la posición de APAGADO antes de enchufarlo al tomacorriente. • No enchufe otros aparatos eléctricos en el mismo circuito. • Mantenga secos el regulador y todas las conexiones eléctricas. No haga funcionar la unidad cuando llueva. • Cambie el regulador o el cable de prolongación si están dañados.
La parrilla no cocina adecuadamente	<ul style="list-style-type: none"> • La parrilla no está tapada. • La temperatura de precalentamiento es insuficiente o el regulador está graduado a una temperatura demasiado baja. • Cable de prolongación inadecuado. • Acumulación excesiva de grasas o de residuos en el protector de aislamiento. 	<ul style="list-style-type: none"> • Tape la parrilla mientras esté cocinando. • Precaliente la parrilla durante unos 15 o 20 minutos. Aumente la graduación del regulador. • Cámbielo por un cable de un régimen nominal adecuado (15 amperios). • Limpie el protector inferior de aislamiento.
Llamaradas	<ul style="list-style-type: none"> • Carne sumamente grasosa. • Temperatura de cocción demasiado elevada. • Acumulación de grasa. 	<ul style="list-style-type: none"> • Recorte la grasa de la carne antes de cocinarla en la parrilla. • Regule (baje) la temperatura según sea necesario. • Limpie la parrilla.
La luz indicadora del regulador está APAGADA	<ul style="list-style-type: none"> • El ciclo del regulador está funcionando normalmente. • No hay electricidad. • Regulador defectuoso. 	<ul style="list-style-type: none"> • Aumente la graduación de la perilla o espere que empiece el ciclo de la luz. • Lea la sección "La parrilla no calienta". • Cambie el regulador o el elemento calefactor.
Fuego persistente, producido por la grasa	<ul style="list-style-type: none"> • La grasa queda atrapada por la acumulación de residuos de comida. 	<ul style="list-style-type: none"> • Gire la perilla a la posición de APAGADO (OFF). Deje tapada la parrilla y deje que el fuego se consuma. Una vez que la parrilla se enfríe, limpie los protectores de aislamiento. <p style="text-align: center;">No eche agua sobre el fuego. Esto puede ocasionar lesiones.</p>

Two convenient ways to register your product: Deux façons pratiques d'enregistrer votre produit: Dos formas convenientes de registrar su producto:

1 Online
En ligne
En línea

www.charbroil.com/register

2 By mail | Par la poste | Por correo

PLEASE FILL OUT THIS CARD AND ATTACH A COPY OF YOUR SALES RECEIPT. RETURN IT WITHIN 10 DAYS OF PURCHASE. FOR WARRANTY SERVICE PROOF OF PURCHASE WILL BE REQUIRED. THIS WARRANTY IS NON-TRANSFERABLE.

LLENE ESTA TARJETA Y DEVUELVALA DENTRO DE LOS 10 DIAS DE LA COMPRA. PARA EL SERVICIO DE GARANTIA ES NECESARIO QUE PRESENTE SU COMPROBANTE DE COMPRA. CONSERVE LA FACTURA. ESTA GARANTIA ES INTRANSFERIBLE.

VEUILLEZ COMPLETER CETTE CARTE ET LA RETOURNER DANS LES 10 JOURS SUIVANT L'ACHAT. POUR OBTENIR LE SERVICE SOUS GARANTIE, UNE PREUVE D'ACHAT DOIT ETRE PRESENTEE. VEUILLEZ CONSERVER VOTRE FACTURE. LA PRESENTE GARANTIE N'EST PAS TRANSFERABLE.

*Required | Necesario | Exigé

~ PLEASE PRINT ~ IMPRIMA POR FAVOR ~ S'IL VOUS PLAÎT IMPRIMER ~

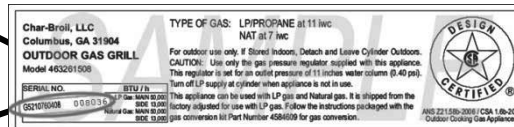
* 1. First Name | Nombre | Prénom Initial | Inicial | Initiale Last Name | Apellido | Nom de Famillie

Address (number & street) | Dirección (número y calle) | Adresse (numéro et rue) Apt Number | Nº de apart | Nº d'appt.

City | Ciudad | Ville State | Estado | Province Zip Code | Código Zip | Code Postal

* 2. E-mail Address | Dirección de correo electrónico | Adresse électronique * 3. Phone Number | Número telefónico | Numéro de téléphone

* 4. Model Number | Número de modelo | Numéro de modèle



STICKER ON PRODUCT

Serial Number | Número de serie | Numéro de série

6. Date of Purchase | Fecha de compra | Date de l'achat

\$

8. Purchase Price | Precio de compra | Prix d'achat

7. Store Name | Nombre de la tienda | Nom du magasin

9. Your Gender | Sexo | Sexe:

- Male | Masculino | Masculin
 Female | Femenino | Féminin

10. Which product are you registering?

¿Qué producto está registrando?
Quel produit enregistrez-vous?

1. Gas Grill | Parrilla a gas | Gril au gaz
2. Electric Grill | Parrilla eléctrica | Gril électrique
3. Smoker | Ahumador | Fumoir
4. Charcoal Grill | Parrilla a carbón | Barbecue au charbon
5. Cooker/Fryer | Cocina/freidora | Cuiseur/Friteuse
6. Other | Otro | Autre

Mail to: / Enviar a: / Envoyer à :

**Char-Broil Warranty Registration
P.O. Box 1240
Columbus, GA 31902-1240**

* 5. Attach copy of your sales receipt here.

Adjunte aqui la copia de su recibo de compra

Veillez attacher une copie de votre reçu ici.

We respect your privacy. | Respetamos su privacidad. | Nous respectons votre vie privée.

- If you prefer not to receive special offers and promotions from Char-Broil, please check here:
- Marque aquí si no desea recibir ofertas y promociones especiales de Char-Broil:
- Si vous préférez ne pas recevoir d'informations concernant des offres spéciales et des promotions de Charbroil, veuillez cocher ici:

Thank you for completing this questionnaire. | Gracias por completar este cuestionario. | Merci d'avoir bien voulu remplir ce questionnaire.