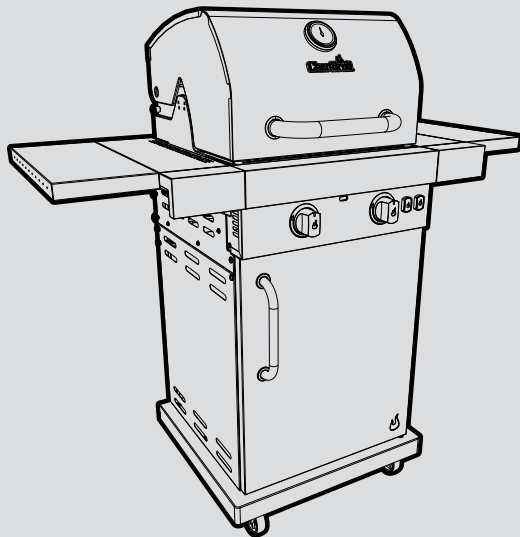


SIGNATURE

2-BURNER INFRARED GAS GRILL
GRIL AU GAZ À 2 BRÔLEURS INFRAROUGE
ASADOR INFRARROJO A GAS DE 2 QUEMADORES



FOR OUTDOOR USE ONLY
POUR USAGE EN MILIEU EXTÉRIEUR UNIQUEMENT
ESTE JUEGO SÓLO SE PUEDE USAR EXTERIORS



Easily converts from (LP) liquid propane to (NG) natural gas
Convertit facilement de forme (LP) propane liquide (NG) de gaz naturel
Se convierte facilmente de propano liquido (LP) a gas natural (NG)

CONVERSION KIT | ENSEMBLE DE CONVERSION | KIT DE CONVERSIÓN
8216842R04

MODEL
MODÈLE
MODELO

463632520

SERIAL NUMBER
NUMÉRO DE SÉRIE
NÚMERO DE SERIE

- See rating Label on grill for serial number.
- Ce numéro se trouve sur l'étiquette signalétique sur l'appareil.
- El número de serie se encuentra en la etiqueta de especificaciones de la parrilla.

DATE PURCHASED
DATE D'ACHAT
FECHA DE COMPRA

TOOLS REQUIRED FOR ASSEMBLY:

- Adjustable wrench (not provided)
- Screwdriver (not provided)
- 7/16" Combination wrench (not provided)
- Caster pin (provided)

OUTILS REQUIS POUR L'ASSEMBLAGE:

- Clé réglable (non comprise)
- Tournevis (non comprise)
- Clé mixte de 7/16 po (non comprise)
- Dispositif de blocage pour roulettes (comprise)

HERRAMIENTAS NECESARIAS PARA EL MONTAJE:

- Llave ajustable (no incluido)
- Destornillador (no incluido)
- 7 / 16" Combinación llave (no incluido)
- Clavija para la rueda (incluido)



If you have questions or need assistance during assembly, please call **1-888-430-7870**
Si vous avez des questions ou besoin d'aide pendant l'assemblage, S'il vous plaît appelez **1-888-430-7870**
Si tiene alguna pregunta o si Necesita ayuda durante el Ensamblado, llámenos Al **1-888-430-7870**

TABLE OF CONTENTS

For Your Safety	2-4
Use and Care	4-10
Limited Warranty	11
Parts Diagram	32
Parts List	33
Hardware List	36
Assembly	37-48
Troubleshooting	49-50
Registration Card	55

INSTALLER/ASSEMBLER:

Leave this manual with consumer.

CONSUMER:

Keep this manual for future reference.

SAFETY SYMBOLS

The symbols and boxes shown below explain what each heading means. Read and follow all of the messages found throughout the manual.

	CAUTION	
<p>CAUTION: Indicates a potentially hazardous situation or unsafe practice which, if not avoided, may result in minor or moderate injury.</p>		
	WARNING	
<p>WARNING: Indicates a potentially hazardous situation which, if not avoided, could result in death or serious injury.</p>		
	DANGER	
<p>DANGER: Indicates an imminently hazardous situation which, if not avoided, will result in death or serious injury.</p>		

	CAUTION	
<p>For residential use only. Do not use for commercial cooking.</p>		

THIS GRILL IS FOR OUTDOOR USE ONLY.

	DANGER	
<p>If you smell gas:</p> <ol style="list-style-type: none"> 1. Shut off gas to the appliance 2. Extinguish any open flame. 3. Open lid. 4. If odor continues, keep away from the appliance and immediately call your gas supplier or your fire department. 		

	WARNING	
<ol style="list-style-type: none"> 1. Do not store or use gasoline or other flammable liquids or vapors in the vicinity of this or any other appliance. 2. An LP cylinder not connected for use shall not be stored in the vicinity of this or any other appliance. 		

	WARNING	
<p>Do not attempt to repair or alter the hose/valve/regulator for any "assumed" defect. Any modification to this assembly will void your warranty and create the risk of a gas leak and fire. Use only authorized replacement parts supplied by manufacturer.</p>		



	DANGER	
<p>If during operation the flames go out (You smell gas or cannot see the flame)</p> <ol style="list-style-type: none"> 1. Turn the burner controls <input type="radio"/> OFF 2. Open lid. 3. Wait 5 minutes and repeat the lighting procedure. <p>If the burner goes out, gas will continue to flow out of the burner and could accidentally ignite with risk of injury.</p>		



	WARNING	
<p>Do not cover grates with aluminum foil or any other material. This will block burner ventilation and create a potentially dangerous condition resulting in property damage and/or personal injury.</p>		



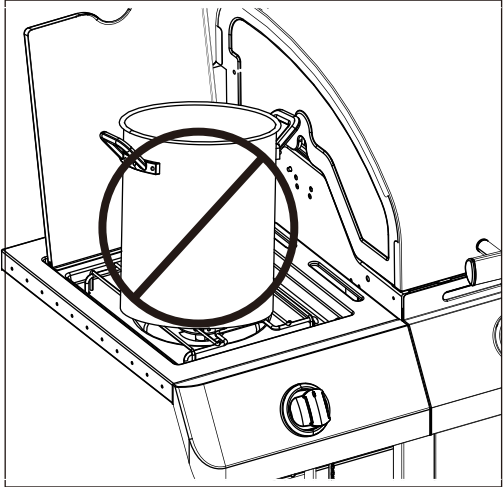
	WARNING	
<p>Failure to follow all manufacturer's instructions could result in serious personal injury and/or property damage.</p>		



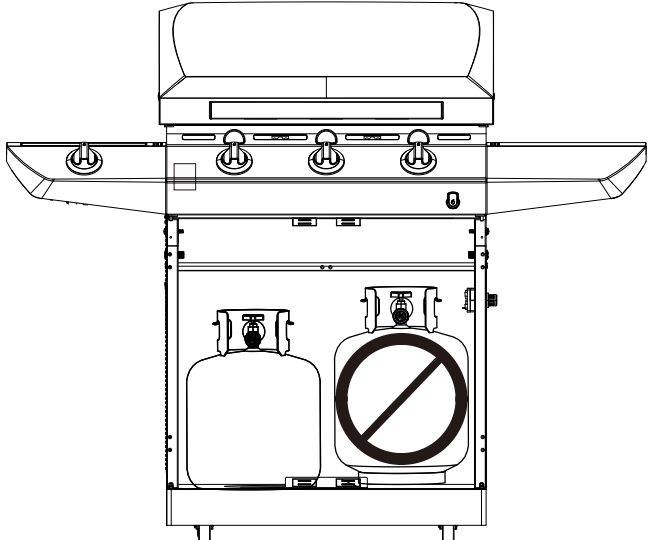
	CAUTION	
<p>Read and follow all safety statements, assembly instructions, and use and care directions before attempting to assemble and cook.</p>		

	CAUTION	
<p>Some parts may contain sharp edges. Wear protective gloves if necessary.</p>		

	CAUTION	
<p><i>Grease Fires</i></p>		
<ul style="list-style-type: none"> • Putting out grease fires by closing the lid is not possible. Grills are well ventilated for safety reasons. • Do not use water on a grease fire. Personal injury may result. If a grease fire develops, turn knobs and LP tank off. • If grill has not been regularly cleaned, a grease fire can occur that may damage the product. Pay close attention while preheating or burning off food residue to insure that a grease fire does not develop. • The best way to prevent grease fires is regular cleaning of the grill following instructions on General Grill Cleaning and Cleaning The Burner Assembly. 		

	WARNING	
<p>CALIFORNIA PROPOSITION 65</p> <p>1. Combustible by-products produced when using this product contains chemicals known to the State of California to cause cancer, birth defects, or other reproductive harm.</p> <p>2. This product contains chemicals, including lead and lead compounds, known to the State of California to cause cancer, birth defects or other reproductive harm.</p> <p><u>Wash your hands after handling this product.</u></p>		

	CAUTION	
<p>Using pots larger than 6 quarts in capacity could exceed weight limit of the side burner shelf or side shelf, resulting in failure of grill cart components.</p>		
		

	DANGER	
<ul style="list-style-type: none"> • NEVER store a spare LP cylinder under or near the appliance or in an enclosed area. 		
		
<ul style="list-style-type: none"> • Never fill a cylinder beyond 80% full. • An over filled or improperly stored cylinder is a hazard due to possible gas release from the safety relief valve. This could cause an intense fire with risk of property damage, serious injury or death. • If you see, smell or hear gas escaping, immediately get away from the LP cylinder/appliance and call your fire department. 		

Installation Safety Precautions

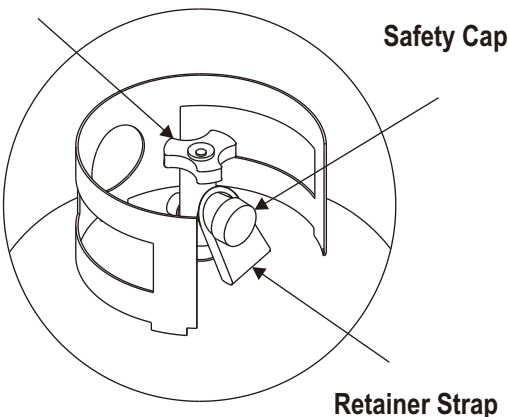
- Use grill, as purchased, only with LP (propane) gas and the regulator/valve assembly supplied. If your grill is Dual Fuel ready, a conversion kit must be purchased for use with natural gas.
- Grill installation must conform with local codes, or in their absence of local codes, with either the *National Fuel Gas Code, ANSI Z223.1/NFPA 54, Natural Gas and Propane Installation Code, CSA B149.1, or Propane Storage and Handling Code, B149.2.*
- All electrical accessories (such as rotisserie) must be electrically grounded in accordance with local codes, or *National Electrical Code, ANSI / NFPA 70 or Canadian Electrical Code, CSA C22.1.* Keep any electrical cords and/or fuel supply hoses away from any hot surfaces.
- This grill is safety certified for use in the United States and/or Canada only. Do not modify for use in any other location. Modification will result in a safety hazard.

USE AND CARE

LP Cylinder Removal, Transport and Storage

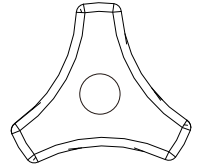
- Turn OFF all control knobs and LP cylinder valve. Turn coupling nut counterclockwise by hand only - do not use tools to disconnect. Loosen cylinder screw beneath bottom shelf or disconnect other retention means, then lift LP cylinder up and out of cart. Install safety cap onto LP cylinder valve. Always use cap and strap supplied with valve. **Failure to use safety cap as directed may result in serious personal injury and/or property damage.**
- A disconnected LP cylinder in storage or being transported must have a safety cap installed (as shown). Do not store an LP cylinder in enclosed spaces such as a carport, garage, porch, covered patio or other building. Never leave an LP cylinder inside a vehicle which may become overheated by the sun.
- Do not store an LP cylinder in an area where children play.

LP Cylinder Valve

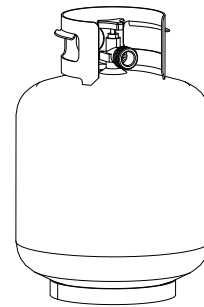


LP Cylinder

- The LP cylinder used with your grill must meet the following requirements:**
- Use LP cylinders only with these required measurements: 12" (30.5cm) (diameter) x 18" (45.7 cm) (tall) with 20 lb. (9 kg.) capacity maximum.
- LP cylinders must be constructed and marked in accordance with specifications for LP cylinders of the U.S. Department of Transportation (DOT) or for Canada, CAN/CSA-B339, cylinders, spheres and tubes for transportation of dangerous goods, Transport Canada (TC). See LP cylinder collar for marking.
- LP cylinder valve must have:
 - Type 1 outlet compatible with regulator or grill.
 - Safety relief valve.
 - UL listed Overfill Protection Device (OPD). This OPD safety feature is identified by a unique triangular hand wheel. **Use only LP cylinders equipped with this type of valve.**
- LP cylinder must be upright for vapor withdrawal and include collar to protect LP cylinder valve. Always keep LP cylinders in upright position during use, transit or storage.



OPD Hand Wheel



LP cylinder in upright position for vapor withdrawal

LP (Liquefied Petroleum Gas)

- LP gas is nontoxic, odorless and colorless when produced. **For Your Safety**, LP gas has been given an odor (similar to rotten cabbage) so that it can be smelled.
- LP gas is highly flammable and may ignite unexpectedly when mixed with air.

LP Cylinder Filling

- Use only licensed and experienced dealers.
- LP dealer **must purge new cylinder** before filling.
- Dealer should **NEVER** fill LP cylinder more than 80% of LP cylinder volume. Volume of propane in cylinder will vary by temperature.
- A frosty regulator indicates gas overfill. Immediately close LP cylinder valve and call local LP gas dealer for assistance.
- Do not release liquid propane (LP) gas into the atmosphere. This is a hazardous practice.
- To remove gas from LP cylinder, contact an LP dealer or call a local fire department for assistance. Check the telephone directory under "Gas Companies" for nearest certified LP dealers.

LP Cylinder Exchange

• Many retailers that sell grills offer you the option of replacing your empty LP cylinder through an exchange service. Use only those reputable exchange companies that inspect, precision fill, test and certify their cylinders. **Exchange your cylinder only for an OPD safety feature-equipped cylinder as described in the "LP Cylinder" section of this manual.**

• Always keep new and exchanged LP cylinders in upright position during use, transit or storage.

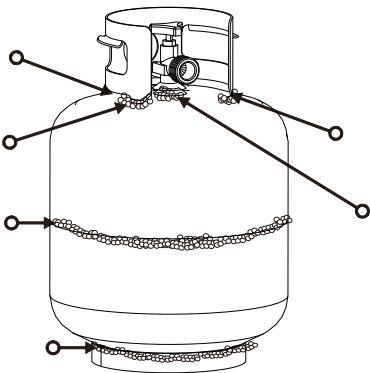
• **Leak test new and exchanged LP cylinders BEFORE connecting to grill.**

• Place safety cap on cylinder valve outlet whenever the cylinder is not in use. Only install the type of safety cap on the cylinder valve outlet that is provided with the cylinder valve. Other types of caps or plugs may result in leakage of propane.

LP Cylinder Leak Test

For your safety

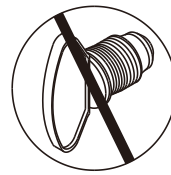
- Leak test must be repeated each time LP cylinder is exchanged or refilled.
- Do not smoke during leak test.
- Do not use an open flame to check for gas leaks.
- Grill must be leak tested outdoors in a well-ventilated area, away from ignition sources such as gas fired or electrical appliances. During leak test, keep grill away from open flames or sparks.
- Use a clean paintbrush and a 50/50 mild soap and water solution. Brush soapy solution onto areas indicated by arrows in figure below.
- **Do not use household cleaning agents.** Damage to gas train components can result.



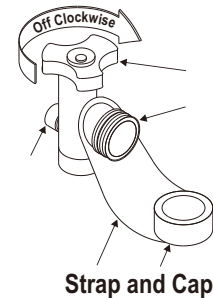
	WARNING	
<p>If "growing" bubbles appear, do not use or move the LP cylinder. Contact an LP gas supplier or your fire department!</p>		

Connecting Regulator to the LP Cylinder

1. LP cylinder must be properly secured onto grill. (Refer to assembly section.)
2. Turn all control knobs to the OFF position.
3. Turn LP cylinder OFF by turning hand-wheel clockwise to a **full stop**.
4. Remove the safety cap from LP cylinder valve. Always use cap and strap if supplied with valve.



Safety Relief Valve



OPD Hand Wheel

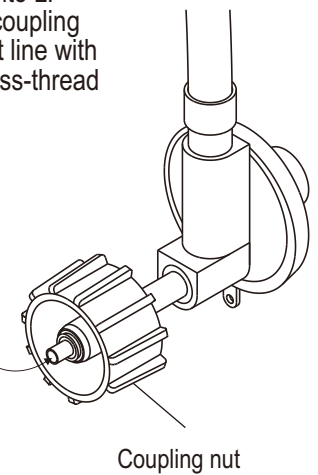
Type 1 outlet with thread on outside

Do not use a POL transport plug (plastic part with external threads)! It will defeat the safety feature of the valve.

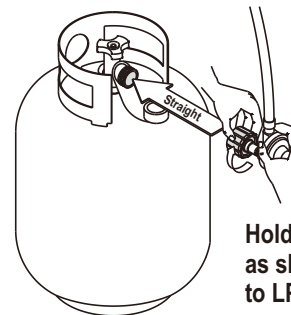
Strap and Cap

5. Hold regulator and insert nipple into LP cylinder valve. Hand-tighten the coupling nut, holding regulator in a straight line with LP cylinder valve so as not to cross-thread the connection.

Nipple has to be centered into the LP cylinder valve.



Coupling nut



Hold coupling nut and regulator as shown for proper connection to LP cylinder valve.

6. Turn the coupling nut clockwise and tighten to a full stop. The regulator will seal on the back-check feature in the LP cylinder valve, resulting in some resistance. **An additional one-half to three-quarters turn is required to complete the connection. Tighten by hand only – do not use tools.**

NOTE:

If you cannot complete the connection, disconnect regulator and repeat steps 5 and 6. If you are still unable to complete the connection, **do not use this regulator!**

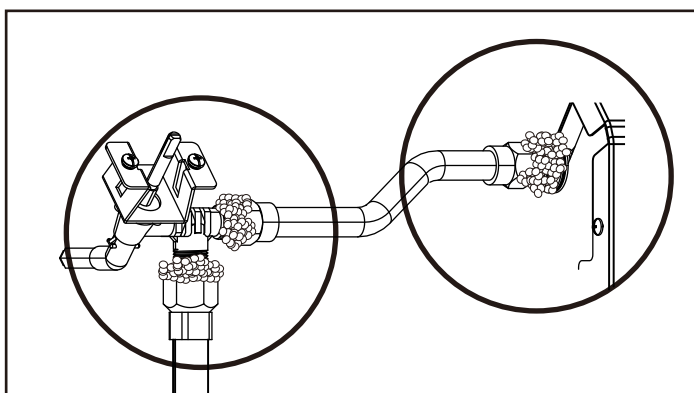
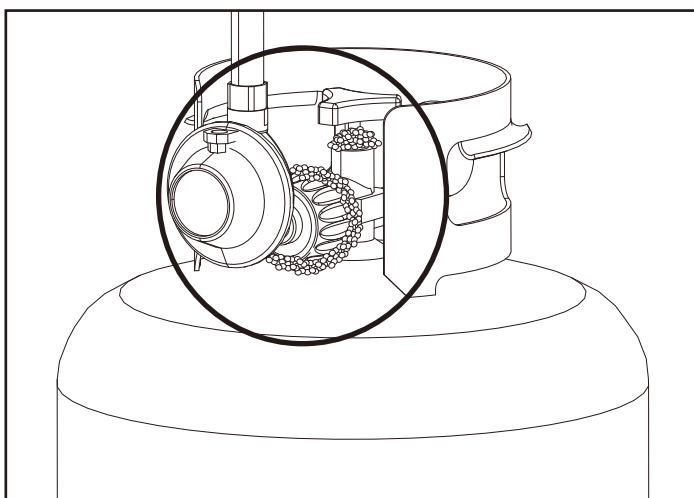
	DANGER	
<ul style="list-style-type: none"> • Do not insert any tool or foreign object into the valve outlet or safety relief valve. You may damage the valve and cause a leak. Leaking propane may result in explosion, fire, severe personal injury, or death. 		

WARNING

- Do not use grill until leak-tested.
- If a leak is detected at any time, STOP! Turn off gas at source and correct leak.
- If you cannot stop a gas leak by closing the LP cylinder valve leave area and call your fire department!

Leak Testing Valves, Hose and Regulator

1. Turn all grill control knobs to OFF.
2. Be sure regulator is tightly connected to LP cylinder.
3. Completely open LP cylinder valve by turning hand wheel counterclockwise. If you hear a *rushing sound*, turn gas off immediately. There is a major leak at the connection. **Correct before proceeding.**
4. Brush soapy solution onto areas circled below, or other similar fittings on your grill.



NOTE: Sideburner shelf fascia and other parts not shown for clarity.

NOTE: Your grill may NOT be equipped with a sideburner.

5. If “growing” bubbles appear, there is a leak. Close LP cylinder valve immediately and retighten connections. **If leaks cannot be stopped do not try to repair.** Call for replacement parts.

6. Always close LP cylinder valve after performing leak test by turning hand wheel clockwise.

WARNING

- Outdoor gas appliance is not intended to be installed in or on a boat.
- Outdoor gas appliance is not intended to be installed in or on an RV.
- Never attempt to attach this grill to the self-contained LP gas system of a camper trailer or motor home.

Safety Tips

- Before opening LP cylinder valve, check the coupling nut for tightness.
- When grill is not in use, turn off all control knobs and LP cylinder valve.
- Never move grill while in operation or still hot.
- Some surfaces will be hot during use. Use long-handled barbecue utensils and oven mitts to avoid burns and splatters.
- Maximum load for sideburner and side shelf is 10 lbs.
- The grease tray or cup **must** be installed during use and emptied after each use. Do not remove grease tray or cup until grill has completely cooled.
- Clean grill often, preferably after each cookout. If a bristle brush is used to clean any of the grill cooking surfaces, ensure no loose bristles remain on cooking surfaces prior to grilling. It is not recommended to clean cooking surfaces while grill is hot.
- If you notice grease or other hot material dripping from grill onto valve, hose or regulator, turn off gas supply at once. Determine the cause, correct it, then clean and inspect valve, hose and regulator before continuing. Perform a leak test.
- Keep ventilation openings in cylinder enclosure (grill cart) free and clear of debris.
- Do not store objects or materials inside the grill cart enclosure that would block the flow of combustion air to the underside of either the control panel or the firebox bowl.
- The regulator may make a humming or whistling noise during operation. This will not affect safety or use of grill.
- If you have a grill problem see the “*Troubleshooting*” Section.
- If the regulator frosts, turn off grill and LP cylinder valve immediately. This indicates a problem with the cylinder and it should not be used on any product. Return to supplier!

WARNING

**CHOKING HAZARD—Small parts.
Not for children under 3 years.**

Battery

- a. Size of battery/ type/ designation: AA
- b. Nominal Voltage: 1.5v
- c. Number of battery required: 5 PCS
- d. Battery included or not: Yes

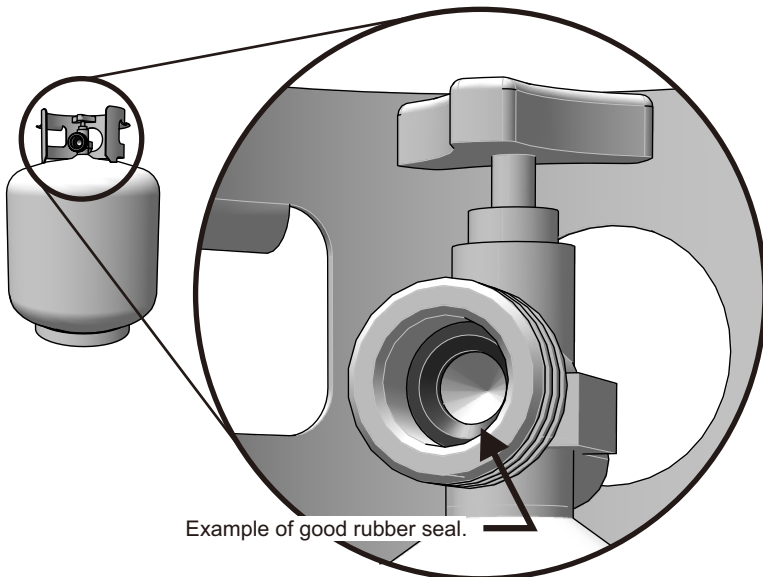
Non-rechargeable batteries are not to be recharged. Batteries are to be inserted with the correct polarity. Exhausted batteries are to be removed from the product. Do not dispose of the batteries in fire. Batteries may explode or leak.



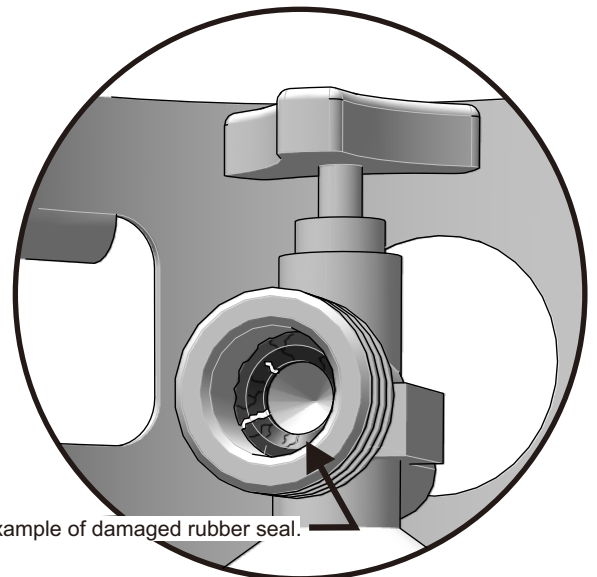
WARNING

LP GAS CYLINDER RUBBER SEAL INSPECTION.

- Inspect the LP gas cylinder valve rubber seal for cracks, wear or deterioration prior to each use. A damaged rubber seal can cause a gas leak, possibly resulting in an explosion, fire, or severe bodily harm.
- It is recommended that you inspect the rubber seal each time the LP gas cylinder is connected to the appliance, each time it has been refilled, or if it has not been used for more than 60 days.
- **DO NOT** use a LP gas cylinder with a damaged rubber seal. The rubber seal **CANNOT** be repaired or replaced. Purchase a new cylinder or exchange the cylinder. You should inspect the seal before accepting a new or exchanged cylinder. **DO NOT** insert tools or foreign objects into the cylinder valve opening as this could damage the rubber seal.
- The leak check procedure outlined in the product guide/assembly manual **MUST** be followed each time the LP gas cylinder is connected to the appliance. Consult the product guide/assembly manual for the proper procedure and locations for leak checking.



Example of good rubber seal.



Example of damaged rubber seal.

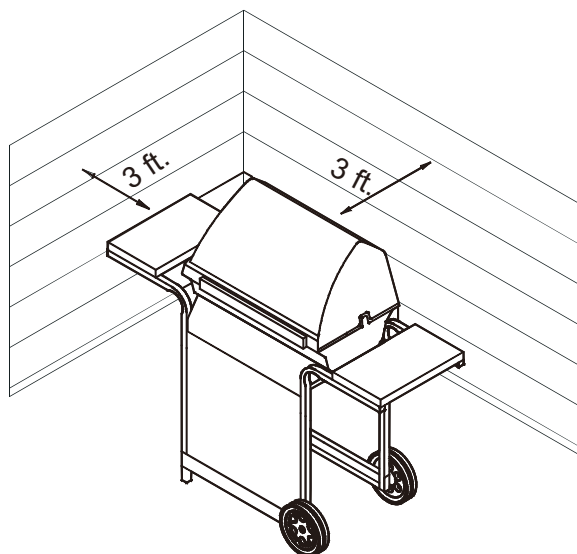


WARNING



For Safe Use of Your Grill and to Avoid Serious Injury:

- Do not let children operate or play near grill.
- Keep grill area clear and free from materials that burn.
- Do not block holes in sides or back of grill.
- Check burner flames regularly.
- Use grill only in well-ventilated space. NEVER use in enclosed space such as carport, garage, porch, covered patio, or under an overhead structure of any kind.
- Do not use charcoal or ceramic briquets in a gas grill.
- Do not cover grates with aluminum foil or any other material. This will block burner ventilation and create a potentially dangerous condition resulting in property damage and/or personal injury.
- **Use grill at least 3 ft. from any wall or surface.** Maintain 10 ft. clearance to objects that can catch fire or sources of ignition such as pilot lights on water heaters, live electrical appliances, etc.



- **NEVER attempt to light or re-light burner with lid closed. A buildup of non-ignited gas inside a closed grill is hazardous.**
- **Never operate grill with LP cylinder out of correct position specified in assembly instructions.**
- **Always close LP cylinder valve and remove coupling nut before moving LP cylinder from specified operation position.**
- **Apartment Dwellers:**
Check with management to learn the requirements and fire codes for using an LP gas grill in your apartment complex. If allowed, use outside on the ground floor with a three (3) foot clearance from walls or rails. Do not use on or under balconies.

Ignitor Lighting

- **Do not lean over grill while lighting.**
1. Turn gas burner control valves to ○ (off).
 2. Open lid during lighting or re-lighting.
 3. Turn ON gas at LP cylinder.
 4. To ignite, push and turn burner knob to 🔥 HIGH. Immediately, push and hold ELECTRONIC IGNITOR button until the burner lights.
 5. If ignition does NOT occur in 5 seconds, turn the burner controls off ○, wait 5 minutes and repeat the lighting procedure.
 6. Repeat steps 4 and 5 to light other main burners.



WARNING



Turn controls and gas source or tank OFF when not in use.



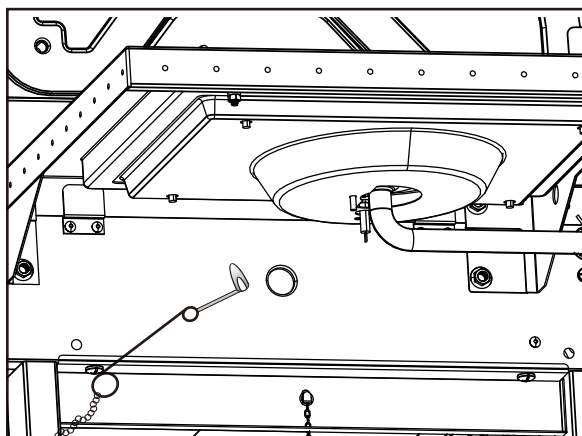
CAUTION



If ignition does NOT occur in 5 seconds, turn the burner controls ○ off, wait 5 minutes and repeat the lighting procedure. If the burner does not ignite with the valve open, gas will continue to flow out of the burner and could accidentally ignite with risk of injury.

Match-Lighting

- **Do not lean over grill while lighting.**
1. Turn gas burner control valves to ○ (off).
 2. Open lid during lighting or re-lighting.
 3. Turn ON gas at LP cylinder.
 4. Place match into match holder (hanging from side panel of grill). Light match; then light burner by placing match through the match light hole on side of grill. Immediately push in and turn burner knob to the 🔥 HIGH position. Be sure burner lights and stays lit.
 5. Light adjacent burners in sequence by pushing knobs in and turning to the 🔥 HIGH position.



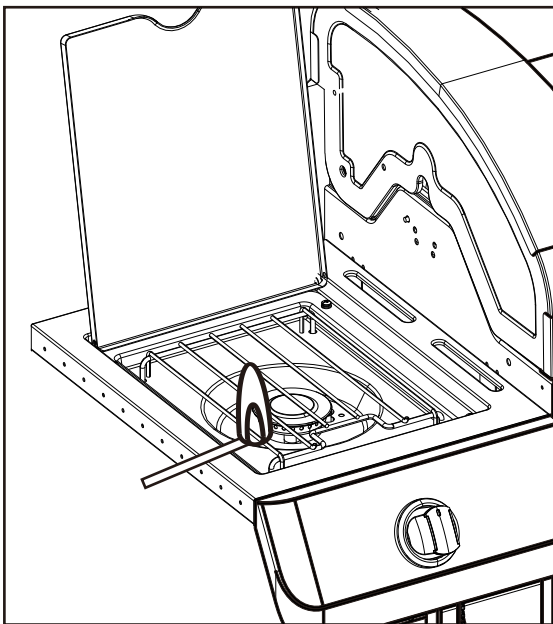
NOTE: Your grill may NOT be equipped with a Sideburner!

Sideburner Ignitor Lighting

- Do not lean over grill while lighting.
- 1. Turn gas burner control valves to ○ (off).
- 2. Open lid during lighting or re-lighting.
- 3. Turn ON gas at LP cylinder.
- 4. Turn sideburner knob to the 🔥 HIGH position, push and hold **ELECTRONIC IGNITOR** button.
- 5. If sideburner does NOT light within 5 seconds, turn knob to ○ off, wait 5 minutes, then repeat lighting procedure.

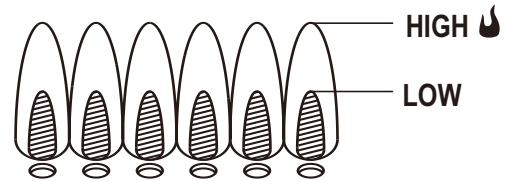
Sideburner Match Lighting

- Do not lean over grill while lighting.
- 1. Turn gas burner control valves to ○ (off).
- 2. Open lid during lighting or re-lighting.
- 3. Turn ON gas at LP cylinder.
- 4. Place lit match near burner. Immediately turn sideburner knob to the 🔥 HIGH position. Be sure burner lights and stays lit.



Burner Flame Check

- Remove cooking grates and heat tents. Light burners, rotate knobs from HIGH to LOW. You should see a smaller flame in LOW position than seen on HIGH. Perform burner flame check on side burner, also. Always check flame prior to each use. If only low flame is seen refer to "Sudden drop or low flame" in the *Troubleshooting* Section.



Turning Grill Off

- Turn all knobs to the ○ off position. Turn LP cylinder off by turning hand-wheel clockwise to a full stop.

Ignitor Check

- Turn gas off at LP cylinder. Press and hold electronic ignitor button. "Click" should be heard and spark seen each time in each collector box or between burner and electrode. See "*Troubleshooting*" if no click or spark.

Valve Check

- **Important: Make sure gas is off at LP cylinder before checking valves.** Knobs lock in off position. To check valves, first push in knobs and release, knobs should spring back. If knobs do not spring back, replace valve assembly before using grill. Turn knobs to LOW position then turn back to off position. Valves should turn smoothly.

Hose Check

- Before each use, check to see if hoses are cut or worn or kinked. Replace damaged hoses before using grill. Use only valve/hose/regulator specified by manufacturer.

Storing Your Grill

- Clean cooking grates.
- Store in dry location.
- When LP cylinder is connected to grill, store outdoors in a well-ventilated space and out of reach of children.
- Cover grill if stored outdoors. Choose from a variety of grill covers offered by Char-Broil at charbroil.com.
- Store grill indoors ONLY if LP cylinder is turned off and disconnected, removed from grill and stored outdoors.
- When removing grill from storage, follow "*Cleaning the Burner Assembly*" instructions before starting grill.

	<h2>CAUTION</h2>	
<ul style="list-style-type: none">• Putting out grease fires by closing the lid is not possible. Grills are well ventilated for safety reasons.• Do not use water on a grease fire. Personal injury may result. If a grease fire develops, turn knobs and LP cylinder off.• Do not leave grill unattended while preheating or burning off food residue on HI. If grill has not been regularly cleaned, a grease fire can occur that may damage the product.		

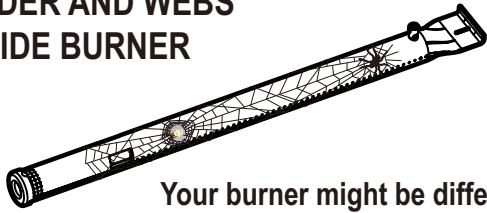


CAUTION



SPIDER ALERT!

SPIDER AND WEBS INSIDE BURNER



Your burner might be different

If your grill is getting hard to light or the flame is weak, check and clean the venturis and burners.

Spiders or small insects are known to create “flashback” problems by building nests and laying eggs in the grill’s venturi or burner, obstructing the flow of gas. The back-up gas can ignite behind the control panel. This flashback can damage your grill and cause injury. To prevent flashbacks and ensure good performance the burner and venturi tube assembly should be removed and cleaned when ever the grill has been idle for an extended period of time.

General Grill Cleaning

- Do not mistake brown or black accumulation of grease and smoke for paint. Interiors of gas grills are not painted at the factory (**and should never be painted**). Apply a strong solution of detergent and water or use a grill cleaner with scrub brush on insides of grill lid and bottom. Rinse and allow to completely air dry. **Do not apply a caustic grill/oven cleaner to painted surfaces.**
- **Plastic parts:** Wash with warm soapy water and wipe dry.
 - Do not use citrisol, abrasive cleaners, degreasers or a concentrated grill cleaner on plastic parts. Damage to and failure of parts can result.
- **Porcelain surfaces:** Because of glass-like composition, most residue can be wiped away with baking soda/water solution or specially formulated cleaner. Use nonabrasive scouring powder for stubborn stains.
- **Painted surfaces:** Wash with mild detergent or nonabrasive cleaner and warm soapy water. Wipe dry with a soft nonabrasive cloth.
- **Stainless steel surfaces:** To maintain your grill’s high quality appearance, wash with mild detergent and warm soapy water and wipe dry with a soft cloth after each use. Baked-on grease deposits may require the use of an abrasive plastic cleaning pad. Use only in direction of brushed finish to avoid damage. Do not use abrasive pad on areas with graphics.
- **Cooking surfaces:** If a bristle brush is used to clean any of the grill cooking surfaces, ensure no loose bristles remain on cooking surfaces prior to grilling. It is NOT recommended to clean cooking surfaces while grill is hot.

Cleaning the Burner Assembly

Follow these instructions to clean and/or replace parts of burner assembly or if you have trouble igniting grill.

1. Turn gas off at control knobs and LP cylinder.
2. Remove cooking grates and heat tents.
3. Remove carryover tubes and hardware securing burners.
4. Detach electrode from burner.

NOTE: Removal/Detachment method will depend on the burner configuration. See different configurations in illustrations below.

5. Carefully lift each burner up and away from valve openings. We suggest three ways to clean the burner tubes. Use the one easiest for you.

(A) Bend a stiff wire (a light weight coat hanger works well) into a small hook. Run the hook through each burner tube several times.



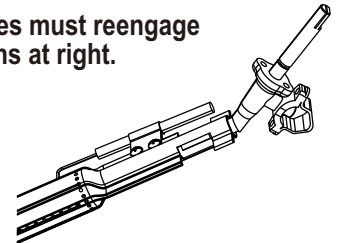
(B) Use a narrow bottle brush with a flexible handle (do not use a brass wire brush). Run the brush through each burner tube several times.

(C) **Wear eye protection:** Use an air hose to force air into the burner tube and out the burner ports. Check each port to make sure air comes out each hole.

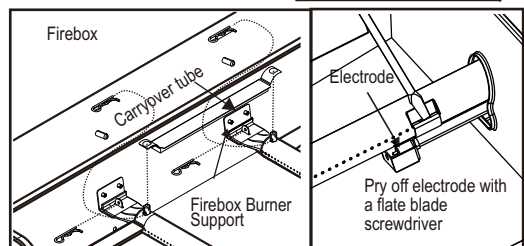
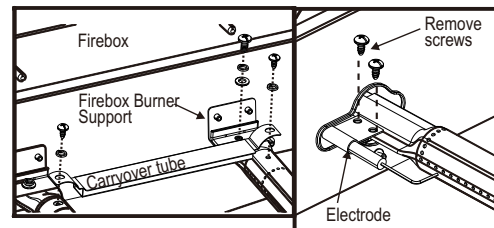
6. Wire brush entire outer surface of burner to remove food residue and dirt.
7. Clean any blocked ports with a stiff wire such as an open paper clip.
8. Check burner for damage due to normal wear and corrosion, some holes may become enlarged. If any large cracks or holes are found, replace burner.

VERY IMPORTANT: Burner tubes must reengage valve openings. See illustrations at right.

Correct burner-to-valve engagement



9. Attach electrode to burner.
10. Carefully replace burners.
11. Attach burners to brackets on firebox.
12. Reposition carryover tubes and attach to burners. Replace heat tents and cooking grates.
13. Before cooking again on grill, perform a “Leak Test” and “Burner Flame Check”.



LIMITED WARRANTY

This warranty only applies to units purchased from an authorized retailer. Manufacturer warrants to the **original consumer-purchaser** only that this product shall be free from defects in workmanship and materials after correct assembly and under normal and reasonable home use for the periods indicated below beginning on the date of purchase*. The manufacturer reserves the right to require that defective parts be returned, postage and or freight pre-paid by the consumer for review and examination.

<u>SCOPE OF COVERAGE</u>	<u>PERIOD OF COVERAGE</u>	<u>TYPE OF FAILURE COVERAGE</u>
Stainless Burner	10 years from date of purchase*	PERFORATION, MANUFACTURING, AND MATERIAL DEFECTS ONLY
Firebox, Lid, Cooking Grate and Emitters	3 years from date of purchase*	
All Other Parts	1 year from date of purchase*	

*Note: A dated sales receipt WILL be required for warranty service.

The original consumer-purchaser will be responsible for all shipping charges for parts replaced under the terms of this limited warranty.

This limited warranty is applicable in the United States and Canada only, is only available to the original owner of the product and is not transferable. **Manufacturer requires proof of your date of purchase. Therefore, you should retain your sales slip or invoice.** Registering your product is not a substitute for proof of purchase and the manufacturer is not responsible for or required to retain proof of purchase records.

This limited warranty applies to the functionality of the product ONLY and does not cover cosmetic issues such as scratches, dents, corrosion or discoloring by heat, abrasive and chemical cleaners or any tools used in the assembly or installation of the appliance, surface rust, or the discoloration of stainless steel surfaces. Paint is not warranted and will require touch up. **RUST is not considered a manufacturing or materials defect.**

This limited warranty will not reimburse you for the cost of any inconvenience, food, personal injury or property damage.

ITEMS MANUFACTURER WILL NOT PAY FOR:

1. Shipping cost, standard or expedited, for warranty and replacement parts
2. Service calls to your home.
3. Repairs when your product is used for other than normal, single-family household or residential use.
4. Damage, failures, or operating difficulties resulting from accident, alteration, careless handling, misuse, abuse, fire, flood, acts of God, improper installation or maintenance, installation not in accordance with electrical or plumbing codes, or use of products not approved by the manufacturer.
5. Any food loss due to product failures or operating difficulties.
6. Replacement parts or repair labor costs for units operated outside the United States or Canada.
7. Pickup and delivery of your product.
8. Repairs to parts or systems resulting from unauthorized modifications made to the product.
9. The removal and/or reinstallation of your product.

DISCLAIMER OF IMPLIED WARRANTIES and LIMITATION OF REMEDIES

Repair or replacement of defective parts is your exclusive remedy under the terms of this limited warranty. In the event of parts availability issues, the manufacturer reserves the right to substitute like or similar parts that are equally functional.

Manufacturer will not be responsible for any consequential or incidental damages arising from the breach of either this limited warranty or any applicable implied warranty, or for failure or damage resulting from acts of God, improper care and maintenance, grease fire, accident, alteration, replacement of parts by anyone other than Manufacturer, misuse, transportation, commercial use, abuse, hostile environments (inclement weather, acts of nature, animal tampering), improper installation or installation not in accordance with local codes or printed manufacturer instructions.

THIS LIMITED WARRANTY IS THE SOLE EXPRESS WARRANTY GIVEN BY THE MANUFACTURER. NO PRODUCT PERFORMANCE SPECIFICATION OR DESCRIPTION WHEREVER APPEARING IS WARRANTED BY MANUFACTURER EXCEPT TO THE EXTENT SET FORTH IN THIS LIMITED WARRANTY. ANY IMPLIED WARRANTY PROTECTION ARISING UNDER THE LAWS OF ANY STATE, INCLUDING IMPLIED WARRANTY OF MERCHANTABILITY OR FITNESS FOR A PARTICULAR PURPOSE OR USE, IS HEREBY LIMITED IN DURATION TO THE DURATION OF THIS LIMITED WARRANTY.

Neither dealers nor the retail establishment selling this product has any authority to make any additional warranties or to promise remedies in addition to or inconsistent with those stated above. Manufacturer's **maximum liability**, in any event, shall not exceed the purchase price of the product paid by the original consumer.

NOTE: Some states do not allow an exclusion or limitation of incidental or consequential damages, so some of the above limitations or exclusions may not apply to you. This limited warranty gives you specific legal rights as set forth herein. You may also have other rights which vary from state to state. In the state of California only, if refinishing or replacement of the product is not commercially practicable, the retailer selling this product or the Manufacturer will refund the purchase price paid for the product, less the amount directly attributable to use by the original consumer-purchaser prior to discovery of the nonconformity. In addition, in the state of California only, you may take the product to the retail establishment selling this product in order to obtain performance under this limited warranty.

If you wish to obtain performance of any obligation under this limited warranty, you should write to:

**Consumer Relations
P. O. Box 1240
Columbus, GA 31902-1240**

Consumer returns will not be accepted unless a valid Return Authorization is first acquired. Authorized returns are clearly marked on the outside of the package with an RA number and the package is shipped freight/postage pre-paid. Consumer returns that do not meet these standards will be refused.

TABLE DES MATIÈRES

Pour votre sécurité	12-14
Utilisation et entretien	14-20
Garantie limitée	21
Schéma des pièces	32
Nomenclature des pièces	34
Liste des ferrures	36
Assemblage	37-48
Dépannage	51-52
Fiche d'enregistrement	55

INSTALLATEUR / ASSEMBLEUR :




Vous devez laisser le présent manuel au client.

CLIENT :

Conservez ce manuel pour consultation future.

Symboles de sécurité

Vous trouverez ci-dessous une explication du sens de chaque symbole. Lisez et respectez toutes les consignes qui apparaissent partout dans ce guide.

	ATTENTION	
ATTENTION : indique une situation potentiellement dangereuse ou une pratique à risque qui, si elle n'est pas évitée, pourrait entraîner des blessures mineures ou modérément graves.		
	AVERTISSEMENT	
AVERTISSEMENT : indique des conditions qui représentent un risque d'accident; à défaut de prendre les mesures correctives appropriées, la mort ou de graves blessures s'ensuivront.		
	DANGER	
DANGER : indique des conditions qui représentent un danger imminent; à défaut de prendre les mesures correctives appropriées, la mort ou de graves blessures s'ensuivront.		

	ATTENTION	
Pour utilisation domestique uniquement. Ne pas utiliser à des fins commerciales.		

CET APPAREIL EST CONÇU POUR UN USAGE À L'EXTÉRIEUR UNIQUEMENT

	DANGER	
S'il y a une odeur de gaz :		
<ol style="list-style-type: none">1. Coupez l'admission de gaz de l'appareil.2. Éteindre toute flamme nue.3. Ouvrir le couvercle.4. Si l'odeur persiste, éloignez-vous de l'appareil et appelez immédiatement le fournisseur de gaz ou le service d'incendie.		

	AVERTISSEMENT	
<ol style="list-style-type: none">1. Ne pas entreposer ni utiliser de l'essence ni d'autres vapeurs ou liquides inflammables dans le voisinage de l'appareil, ni de tout autre appareil.2. Une bouteille de propane qui n'est pas raccordée en vue son utilisation, ne doit pas être entreposée dans le voisinage de cet appareil ou de tout autre appareil.		

	AVERTISSEMENT	
N'essayez pas de réparer ou de modifier le tuyau, le système de valve ou le régulateur pour corriger un défaut « présumé ». Toute modification à cet assemblage annule votre garantie en plus de créer un risque de fuite de gaz et d'incendie. N'utilisez que des pièces de rechange approuvées, fournies par le fabricant.		

	DANGER	
Si au cours de la procédure, les flammes s'éteignent (vous sentez le gaz ou aucune flamme n'apparaît)		
<ol style="list-style-type: none">1. Fermer le bouton de commande du brûleur 2. Ouvrir le couvercle.3. Attendre cinq minutes et répéter l'opération.		
Si le brûleur s'éteint, le gaz continuera de se répandre à l'extérieur du brûleur et pourrait s'enflammer accidentellement en engendrant un risque de blessure pour la personne.		

	AVERTISSEMENT	
Ne couvrez pas les grilles avec des feuilles d'aluminium ou tout autre matériau. Cela empêchera la ventilation du brûleur et sera à l'origine de conditions potentiellement dangereuses pouvant entraîner des dommages matériels ou des blessures graves.		

AVERTISSEMENT

Ne pas suivre toutes les instructions du fabricant pourrait causer des préjudices physiques graves et des dommages matériels.

ATTENTION

Lire et respecter toutes les consignes de sécurité, les instructions d'assemblage et les directives d'emploi et d'entretien avant d'essayer d'assembler cet appareil ou de l'utiliser pour la cuisson.

ATTENTION

Certaines pièces peuvent être munies de bords coupants. Portez des gants de protection au besoin.

ATTENTION

Incendies de Graisse

- Il n'est pas possible d'éteindre des incendies de graisse en fermant le couvercle. Les grils sont bien aérés pour des raisons de sécurité.
- N'utilisez pas d'eau pour éteindre un incendie de graisse. Cela pourrait causer des blessures. Si un incendie de graisse se déclare, fermez les boutons et l'alimentation en gaz du réservoir de GPL.
- Si le gril n'a pas été nettoyé régulièrement, un feu de graisse pourrait s'ensuivre et endommager le produit. Surveillez bien le gril durant le préchauffage ou lorsque vous brûlez des résidus d'aliments au cas où un feu de graisse se produirait.
- La meilleure façon d'empêcher les feux de friture est de procéder à un nettoyage régulier du gril en suivant les consignes indiquées dans le guide sous les rubriques **Nettoyage général du gril** et **Nettoyer le dispositif du brûleur**.

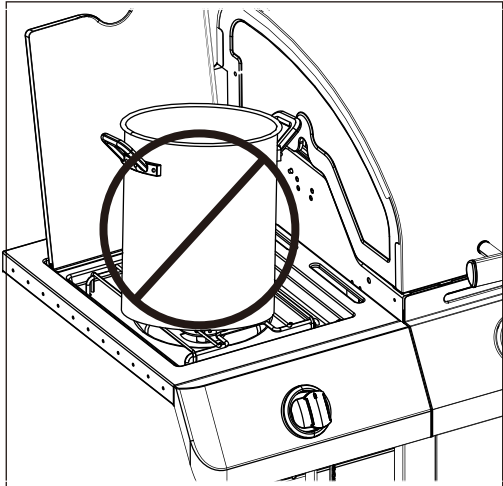
AVERTISSEMENT

CALIFORNIA PROPOSITION 65

1. Les sous-produits de combustion générés lors de l'utilisation de ce produit contiennent des produits chimiques qui, selon l'État de la Californie, causent le cancer, des anomalies congénitales ou d'autres dangers pour la reproduction.
2. Cet article contient des produits chimiques, y compris du plomb et des composés de plomb, qui, selon l'État de la Californie, causent le cancer, des anomalies congénitales ou d'autres dangers pour la reproduction.
Veuillez vous laver les mains après avoir manipulé ce produit.

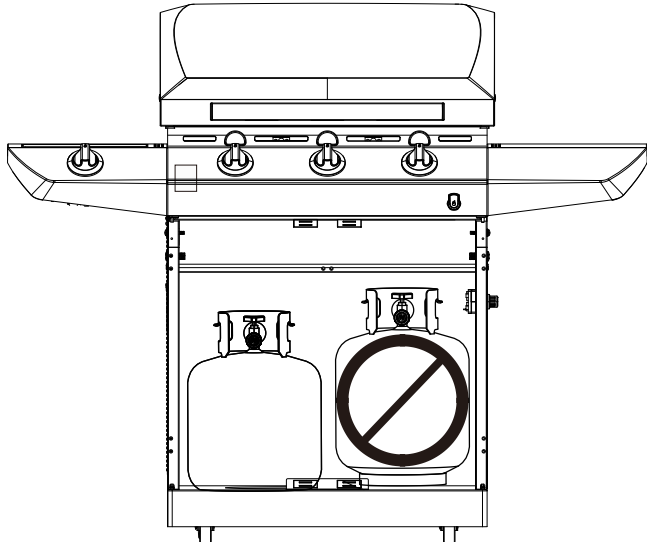
ATTENTION

Utiliser des pots de plus de 6 quarts de la capacité pourrait dépasser le poids limite du plateau brûleur latéral ou Côté plateau qui entraîne la défaillance du gril panier composants.



DANGER

- N'entreposez JAMAIS un réservoir de gaz de recharge sous un appareil au gaz, à proximité de celui-ci ou dans un endroit fermé.



- Ne remplissez jamais le réservoir à plus de 80 % de sa capacité.
- Un réservoir de recharge rempli excessivement ou mal entreposé constitue un danger en raison des possibilités de fuite de gaz à partir de la soupape de sûreté et de décharge. Cela peut causer un incendie intense avec risques de dommages matériels, de blessures graves, voire de mort.
- Si vous voyez, sentez, ou entendez une fuite de gaz, éloignez-vous immédiatement du réservoir de gaz et de l'appareil et appelez votre service d'incendie.

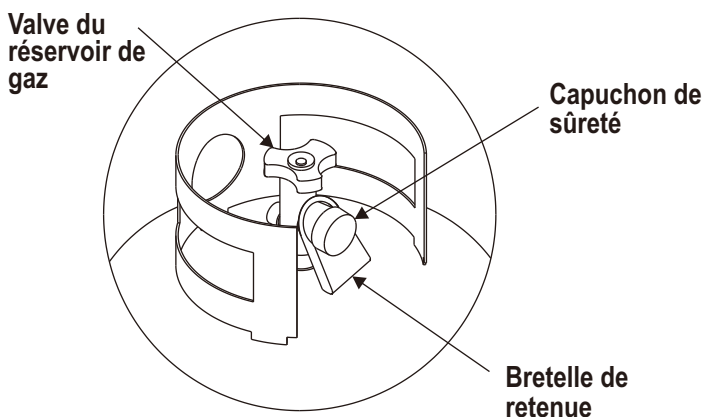
Mesures de sécurité pendant l'installation

- Utilisez grill, comme l'achat, avec seulement LP (propane) du gaz et le régulateur / valve de montage fourni. Si votre barbecue est prêt Dual Fuel, un kit de conversion doit être acheté pour une utilisation avec du gaz naturel.
- L'installation du grill doit se conformer aux codes locaux, ou en leur absence, au *National Fuel Gas Code, ANSI Z223.1/ NFPA 54, Natural Gas and Propane Installation Code, CSA B149.1, au Code sur le stockage et la manipulation du propane B149.2*
- Tous les accessoires électriques (la rôtissoire, par exemple) doivent être mis à la terre conformément aux codes locaux ou au *National Electrical Code, ANSI / NFPA 70 ou au Code canadien de l'électricité CSA C22.1*. Tenez les cordons d'alimentation et les tuyaux d'alimentation en combustible loin de toute surface chaude.
- Ce grill est homologué en matière de sécurité aux États-Unis ou au Canada seulement. Ne le modifiez pas pour une utilisation dans un autre endroit. Toute modification créera un risque d'accident.

UTILISATION ET ENTRETIEN

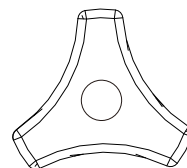
Démontage, transport et entreposage du réservoir de gaz

- FERMEZ tous les boutons de réglage et la valve du réservoir de gaz. Tournez à la main l'écrou d'accouplement dans le sens contraire des aiguilles d'une montre; n'utilisez pas d'outils pour débrancher le réservoir. Desserrez la vis du réservoir située sous la tablette inférieure ou déconnectez les autres dispositifs de retenue, puis soulevez le réservoir de gaz et retirez-le du chariot. Installez le capuchon de sûreté sur la valve du réservoir à gaz. Utilisez toujours le capuchon et la bretelle de retenue fournis avec la valve. **Faute d'utiliser le capuchon de sûreté selon les consignes, des blessures graves et des dommages matériels pourraient s'ensuivre.**
- Un réservoir de gaz qui a été débranché pour le transport ou pour l'entreposage doit comporter un capuchon de sécurité (tel qu'illustré). N'entreposez pas un réservoir de gaz dans un endroit fermé tel qu'un abri d'auto, un garage, un porche, un patio couvert ou d'autres constructions. Ne laissez jamais un réservoir de gaz dans un véhicule qui pourrait s'échauffer au soleil.
- N'entreposez pas un réservoir de gaz dans un endroit où les enfants jouent.

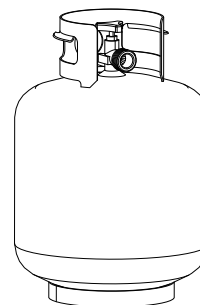


Réservoir de gaz.

- Le réservoir de GPL utilisé avec votre grill doit satisfaire aux exigences suivantes :
- Utilisez seulement un réservoir de GPL avec les dimensions suivantes : diamètre de 30,5 cm (12 po) x hauteur de 45,7 cm (18 po) et de capacité maximale de (20 lb).
- Les réservoirs de GPL doivent être fabriqués et étiquetés conformément aux spécifications pour les réservoirs de GPL du ministère du Transport (Department of Transportation : DOT) des États-Unis ou, au Canada, des normes CAN/CSA-B339 relatives aux cylindres, sphères et tubes pour le transport des matières dangereuses de Transport Canada (TC). Voir l'étiquette sur le collier du réservoir de GPL.
- La valve du réservoir de GPL doit comporter :
- Un orifice de sortie de type 1 compatible avec le régulateur ou le grill.
- Une soupape de sûreté et de décharge.
- Un dispositif de protection contre le remplissage excessif homologué UL. Ce dispositif de sécurité est identifié par un unique volant de manœuvre triangulaire. **Utilisez seulement des réservoirs dotés de ce type de valve.**
- La bouteille de gaz propane doit être positionnée verticalement de façon à permettre l'élimination des vapeurs et elle doit comprendre un collier pour protéger le robinet de la bouteille. Toujours conserver les bouteilles de gaz propane en position verticale lors de leur utilisation, leur transport ou leur entreposage.



Volant de manœuvre du dispositif de protection contre le remplissage excessif



Réservoir de gaz à la verticale pour permettre l'élimination des vapeurs

GPL (Gaz de pétrole liquéfié, ou gaz propane liquide)

- Le GPL n'est pas toxique; il est incolore et inodore lorsqu'il est produit. **Pour votre propre protection**, une odeur est ajoutée au GPL (semblable à l'odeur de chou pourri) afin que vous puissiez le sentir.
- Le GPL est très inflammable et peut s'allumer de manière inattendue

Remplissage du réservoir de GPL

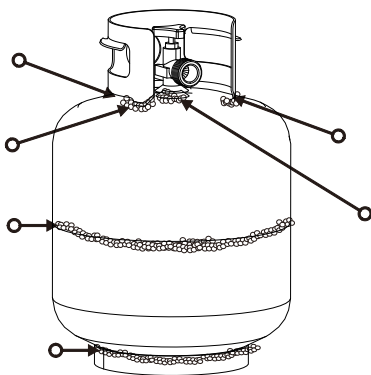
- Ne faites appel qu'aux services de distributeurs autorisés d'expérience.
- Le réservoir de GPL **doit être purgé** avant le remplissage.
- Le distributeur **NE doit JAMAIS** remplir le réservoir de GPL à plus de 80 % de sa capacité volumétrique. Le volume de propane dans un réservoir varie selon la température.
- La présence de givre sur le régulateur indique un remplissage excessif. Fermez immédiatement la valve du réservoir de GPL et appelez votre distributeur de GPL local pour obtenir de l'aide.
- Ne relâchez pas de gaz de pétrole liquéfié (propane) dans l'air. Cela constitue une pratique dangereuse.
- Pour vider le gaz contenu dans un réservoir de GPL, demandez l'aide d'un distributeur de GPL ou du service d'incendie local. Regardez dans l'annuaire téléphonique sous « Fournisseurs de gaz » afin de localiser le distributeur de gaz agréé le plus proche de chez vous.

Échange de réservoir de GPL

- Plusieurs commerçants qui vendent la unité offrent la possibilité de souscrire à un service d'échange de réservoirs vides. Ne faites appel qu'aux services d'entreprises dignes de confiance qui soumettent leurs bouteilles de gaz à des inspections et des essais et qui certifient leurs bouteilles de gaz. **N'échangez votre réservoir que contre un réservoir équipé d'un dispositif de protection contre le remplissage excessif tel que décrit dans la section sur le « Réservoir de GPL » du présent guide.**
- Gardez toujours le réservoir de GPL neuf ou échangé en position verticale lors de son utilisation, de son transport et de son entreposage.
- **Effectuez un essai d'étanchéité des réservoirs de GPL neufs et échangés AVANT de les connecter à l'appareil.**
- Mettre capuchon de sûreté antipoussière sur la sortie du robinet d'une bouteille qui n'est pas utilisée. Utiliser uniquement le type capuchon de sûreté antipoussière fourni avec le robinet de la bouteille. D'autres types de bouchons pourraient ne pas être étanches et permettre des fuites de propane.

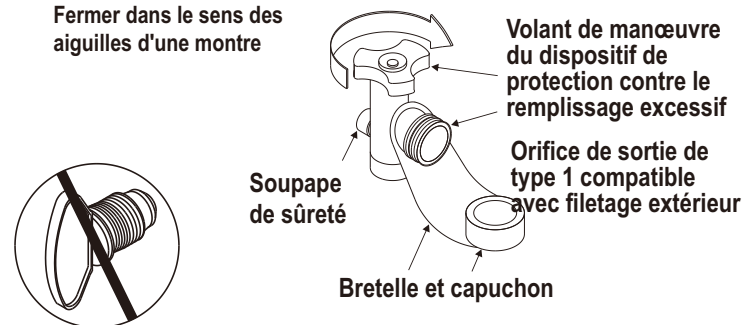
Essai d'étanchéité d'un réservoir de GPL Pour votre propre sécurité

- Il est nécessaire de procéder à un essai d'étanchéité chaque fois que le réservoir de GPL est échangé ou rempli.
- Ne fumez pas pendant l'essai d'étanchéité.
- N'utilisez pas de flamme nue pour détecter une fuite de gaz.
- L'essai d'étanchéité de l'appareil doit se faire à l'extérieur, dans un endroit bien ventilé, loin de sources d'ignition telles que les appareils ménagers fonctionnant au gaz ou à l'électricité. Au cours de l'essai d'étanchéité, gardez l'appareil loin des flammes nues et des étincelles.
- Utilisez un pinceau propre et une solution à mesures égales d'eau et d'un savon doux. Appliquez la solution savonneuse sur les endroits marqués d'une flèche sur le schéma ci-dessous.
- **N'utilisez pas de produits d'entretien ménagers.** Ils pourraient endommager des composants du circuit de gaz.



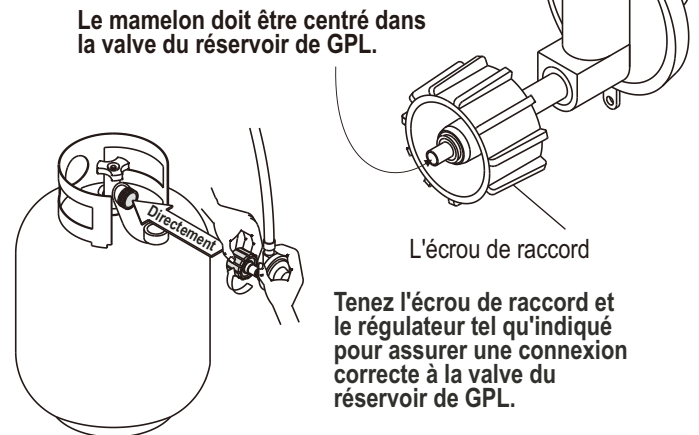
Connexion du régulateur au réservoir de GPL

1. Le réservoir de GPL doit être attaché à l'appareil de façon sécuritaire. (Reportez-vous à la section sur l'assemblage.)
2. **FERMEZ** tous les boutons de réglage.
3. Fermez le réservoir de gaz en tournant le volant de manœuvre de la valve à **fond** dans le sens des aiguilles d'une montre.
4. Enlever le capuchon de protection du robinet de la bouteille de gaz propane. Toujours utiliser le capuchon et la sangle fournis avec le robinet.



N'utilisez pas de bouchon de transport de produits pétroliers (pièce en plastique avec filetage extérieur)! Il empêchera le dispositif de sûreté de la valve de fonctionner.

5. En tenant le régulateur, insérez le mamelon adaptateur dans la valve du réservoir de GPL. Serrez l'écrou de raccord à la main, en tenant le régulateur aligné avec la valve du réservoir de GPL de manière à ne pas fausser le filetage.



6. Serrez à fond l'écrou de raccord en tournant dans le sens des aiguilles d'une montre. Le régulateur s'attachera de façon étanche au dispositif de non-retour de la valve du réservoir de GPL ce qui occasionnera une certaine résistance. **Une rotation supplémentaire d'un demi à trois quart de tour est nécessaire pour achever le raccordement. Ne serrez qu'à la main - n'utilisez pas d'outils.**

REMARQUE : Si vous n'arrivez pas à compléter le raccordement, débranchez le régulateur et répétez les étapes 5 et 6. S'il vous est toujours impossible d'achever le raccordement, **ne vous servez pas de ce régulateur!**



Si des bulles « moussantes » apparaissent, n'utilisez pas le réservoir de GPL et ne le déplacez pas. Appelez un fournisseur de GPL ou votre service d'incendie!



- N'insérez aucun corps étranger dans l'orifice de sortie de la valve ou dans la soupape de sûreté. Vous pourriez endommager la valve et provoquer une fuite. Une fuite de propane peut provoquer une explosion, un incendie, des blessures graves ou la mort.



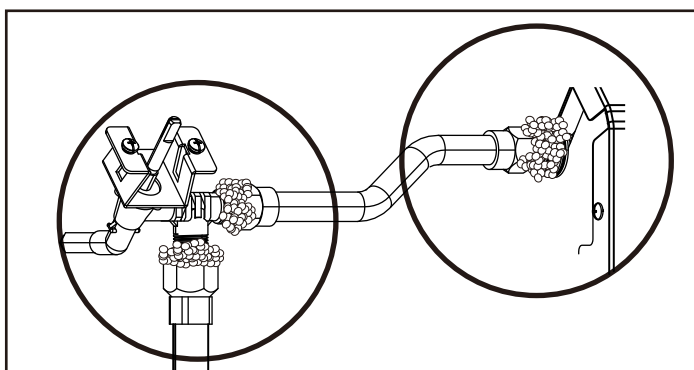
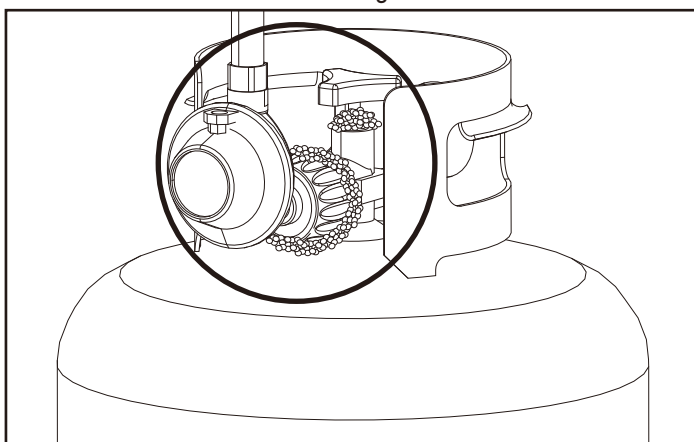
AVERTISSEMENT



- N'utilisez pas le gril avant d'en avoir vérifié l'étanchéité.
- Si une fuite est détectée, STOP! Fermer le gaz à la source et remédier à la fuite.
- Si vous n'arrivez pas à arrêter une fuite de gaz en fermant la zone de congé de vanne de la bouteille de GPL et appelez le service d'incendie!

Essai d'étanchéité des valves, des tuyaux et du régulateur

1. Tournez tous les boutons de réglage en position d'arrêt (OFF).
2. Assurez-vous que le régulateur est attaché de façon étanche à la valve du réservoir.
3. Ouvrez la valve du réservoir complètement en la tournant dans le sens contraire des aiguilles d'une montre. Si vous entendez *un souffle ou un sifflement*, fermez immédiatement la valve du gaz. Cela indique que le raccord comporte une fuite importante. **Corrigez le problème avant de poursuivre.**
4. Badigeonnez les raccords suivants de solution savonneuse : ou d'autres accessoires sur votre grille.



REMARQUE: bordure de la tablette du brûleur latéral et d'autres parties non représentées pour plus de clarté.

REMARQUE : Votre gril peut ne pas avoir un brûleur de côté d'étagère.

5. Si des bulles « moussantes » apparaissent, c'est qu'il y a une fuite. Fermez immédiatement la valve du réservoir de gaz et resserrez tous les raccords. **Si vous n'arrivez pas à arrêter les fuites, n'essayez pas de les colmater vous-même.** Appelez-nous pour obtenir des pièces de rechange. Pour commander des pièces de rechange, appelez le Centre de service pour grils et donnez le numéro de série, le modèle et le nom des pièces dont vous avez besoin.
6. Fermez toujours la valve du réservoir de GPL après chaque essai d'étanchéité en tournant le volant de manœuvre dans le sens des aiguilles d'une montre.



AVERTISSEMENT



- L'appareil d'utilisation extérieure du gaz n'est pas conçu pour être installé sur ou dans un bateau.
- L'appareil d'utilisation extérieure du gaz n'est pas conçu pour être installé sur ou dans un VR.
- Ne tentez jamais de raccorder ce gril au système de GPL autonome d'une tente-caravane ou d'une autocaravane.

Consignes de sécurité

- Avant d'ouvrir la valve du réservoir de GPL, vérifiez que l'écrou de raccord est bien serré.
- Lorsque vous n'utilisez pas le gril, mettez tous les boutons de réglage et la valve du réservoir de GPL en position d'arrêt.
- Ne déplacez jamais le gril lors de l'utilisation ou pendant qu'il est encore chaud.
- Certaines surfaces seront chaudes pendant l'utilisation de l'appareil. Utilisez des ustensiles de cuisson à long manche et des gants afin d'éviter les brûlures et les éclaboussures.
- Le brûleur latéral et la tablette latérale supportent une charge maximale de 10 lb.
- Le plateau ou le réservoir d'écoulement de la graisse doit être en place quand vous utilisez le gril et être vidé après chaque utilisation. N'enlevez pas le plateau ou le réservoir d'écoulement de la graisse avant que le gril ne soit complètement refroidi.
- Si vous remarquez que de la graisse ou qu'une autre matière chaude s'égoutte du gril sur la valve, le tuyau ou le régulateur, coupez immédiatement l'alimentation en gaz. Déterminez l'origine du problème, corrigez-le, puis nettoyez et inspectez le système de valve, le tuyau ou le régulateur avant de continuer. Effectuez un essai d'étanchéité.
- Nettoyez souvent le gril, de préférence après chaque emploi. Si une brosse avec soies est employée pour nettoyer les surfaces de cuisson du gril, assurez-vous qu'aucune soie ne reste sur les surfaces avant de procéder à la cuisson. Il est déconseillé de nettoyer les surfaces de cuisson alors que le gril est chaud.
- Gardez les orifices du cylindre (chariot du gril) dégagés et libres de tout débris.
- Ne rangez pas d'objets ou de matériaux à l'intérieur du chariot du gril et contribuant à bloquer la circulation d'air dans la partie inférieure du tableau de commande ou de la cuvette du foyer.
- Le régulateur peut émettre un bourdonnement ou un sifflement en cours de fonctionnement. Cela n'affecte ni la sécurité ni le bon fonctionnement du gril.
- En cas de problème avec votre gril, consultez la section «Dépannage».
- Si du givre se forme sur le régulateur, fermez le gril immédiatement, ainsi que la valve du réservoir de GPL. Cela indique que le réservoir est défectueux et qu'il ne faut l'utiliser avec aucun appareil.



AVERTISSEMENT



RISQUE DE SUFFOCATION – Petites pièces.
Déconseillé aux enfants de moins de 3 ans.

Piles

- a. Format /Type/Désignation des piles : AA
- b. Tension nominale : 1,5V
- c. Nombre de piles requis : 5 PCS
- d. Piles fournies: Oui

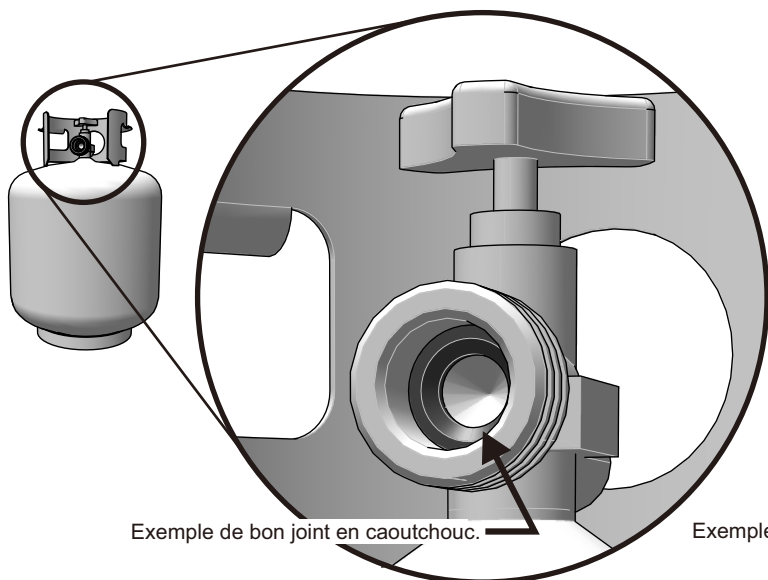
Les piles non rechargeables ne doivent pas être rechargées. Elles doivent être insérées en respectant la bonne polarité. Les piles usées doivent être retirées du produit. Ne pas jeter les piles au feu, elles pourraient exploser ou couler.



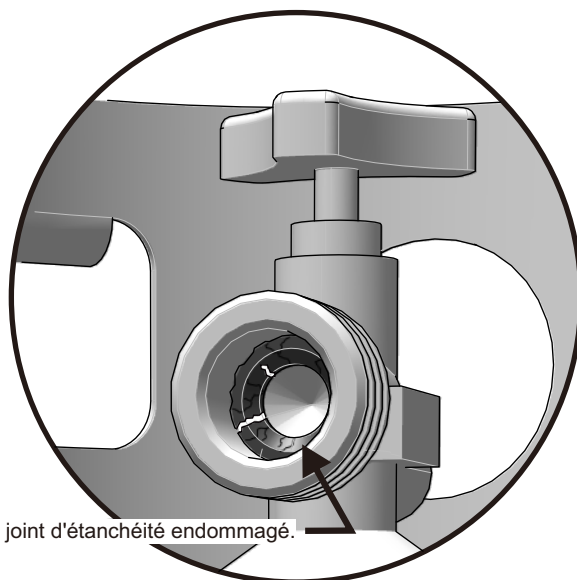
AVERTISSEMENT!

INSPECTION DU JOINT D'ÉTANCHÉITÉ EN CAOUTCHOUC DE LA BONBONNE DE GAZ PROPANE

- ∩ Inspectez le joint d'étanchéité en caoutchouc de la bonbonne de gaz propane à la recherche de fissures, d'usure ou de dégradation avant chaque usage. Un joint de caoutchouc endommagé peut entraîner une fuite de gaz, pouvant possiblement causer une explosion, un incendie ou des blessures graves.
- ∩ Il est recommandé d'inspecter le joint d'étanchéité en caoutchouc chaque fois que vous connectez la bonbonne de gaz propane à l'appareil, chaque fois qu'elle a été remplie ou si elle n'a pas été utilisée depuis plus de 60 jours.
- ∩ N'utilisez PAS une bonbonne de gaz propane dont le joint d'étanchéité en caoutchouc est endommagé. Le joint en caoutchouc NE PEUT PAS être réparé ou remplacé. Achetez une nouvelle bonbonne ou échangez-la. Vous devez faire l'inspection du joint d'étanchéité avant d'accepter une nouvelle bonbonne ou un échange. N'insérez PAS d'outils ou d'objets étrangers dans l'ouverture du robinet de la bonbonne, car cela pourrait endommager le joint d'étanchéité en caoutchouc.
- ∩ Vous DEVEZ suivre la procédure de vérification des fuites indiquée dans les instructions du manuel d'assemblage chaque fois que la bonbonne de gaz propane est branchée à l'appareil. Référez-vous aux instructions du manuel d'assemblage pour la marche à suivre et les emplacements à vérifier pour des fuites.



Exemple de bon joint en caoutchouc.



Exemple de joint d'étanchéité endommagé.

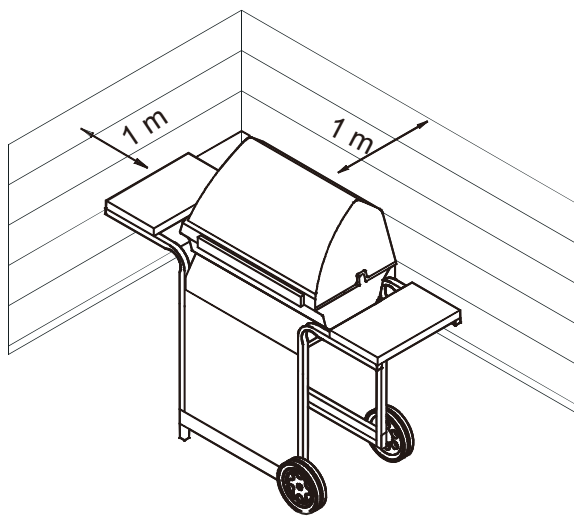


AVERTISSEMENT



Pour utiliser votre gril en toute sécurité et pour éviter des blessures graves :

- Ne laissez pas les enfants utiliser le gril ou jouer à proximité de celui-ci.
- Gardez l'espace autour du gril propre et libre de tout matériel inflammable.
- Ne bouchez pas les trous situés sur les côtés ou à l'arrière du gril.
- Vérifiez périodiquement les flammes du brûleur.
- Ne vous servez du gril que dans un endroit bien aéré. Ne l'utilisez JAMAIS dans un endroit fermé comme un abri d'auto, un garage, un porche, un patio couvert ou sous toute surface surplombante quelle qu'elle soit.
- N'utilisez pas de charbon ni de briquettes en céramique dans un gril à gaz.
- Ne couvrez pas les grilles avec des feuilles d'aluminium ou tout autre matériau. Cela empêchera la ventilation du brûleur et sera à l'origine de conditions potentiellement dangereuses pouvant entraîner des dommages matériels ou des blessures graves.
- **Gardez une distance d'au moins 1 m (3 pieds) entre le gril et tout mur ou surface.** Gardez une distance de 3 m (10 pi) entre le gril et tout objet inflammable ou toute source d'ignition telle que la veilleuse d'un chauffe-eau, un appareil électroménager sous tension, etc.



- **N'essayez JAMAIS d'allumer un brûleur lorsque le couvercle du gril est fermé. Une accumulation de gaz non brûlé à l'intérieur d'un gril fermé constitue un danger.**
- **N'utilisez pas le gril lorsque le réservoir de GPL n'est pas dans la position appropriée telle que spécifiée dans les instructions d'assemblage.**
- **Refermez toujours la valve du réservoir et enlevez l'écrou de raccord avant de déplacer le réservoir de GPL de sa position de fonctionnement.**
- **Résidents d'appartements :**

Renseignez-vous auprès de l'administration pour connaître quelles sont les exigences et les codes d'incendie applicables à l'utilisation d'un gril à gaz dans votre immeuble. Si l'utilisation du gril est permise, utilisez-le à l'extérieur au rez-de-chaussée à une distance de 1 m (3 pi) des murs ou des rampes. Ne l'utilisez pas sur un balcon ou en dessous de celui-ci.

Allumage

- **Ne pas se pencher sur le gril au moment de l'allumage.**
1. Tourner le bouton de commande du brûleur à gaz vers ○ («arrêt »).
 2. Ouvrir le couvercle avant de l'allumer l'appareil ou du réallumer.
 3. Ouvrir le robinet de la bouteille de gaz propane.
 4. Pour allumer, pousser et tourner le bouton vers 🔥 HAUTE. Pousser et tenir aussitôt le bouton d'ALLUMAGE ÉLECTRONIQUE jusqu'à l'allumage du brûleur.
 5. Si l'appareil ne s'allume pas en 5 secondes, fermez le robinet ○ du brûleur, attendez 5 minutes, et procédez de nouveau à l'allumage.
 6. Répéter les étapes de 4 à 5 pour allumer les autres principaux brûleurs.



AVERTISSEMENT



Fermez les boutons de contrôle et le gaz au niveau du réservoir ou de la source d'alimentation quand l'appareil n'est pas utilisé.



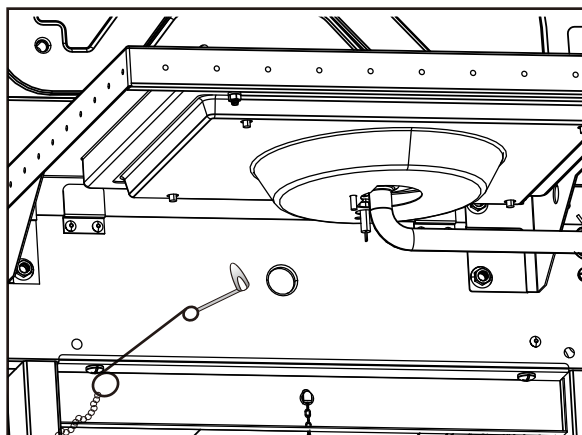
ATTENTION



Si le brûleur ne s'allume PAS dans les 5 secondes, mettez tous les boutons de contrôle des brûleurs en position ○ d'arrêt, attendez 5 minutes, puis répétez la procédure d'allumage. Si le brûleur ne s'allume pas lorsque la valve est ouverte, le gaz continuera de s'échapper du brûleur et pourrait s'enflammer accidentellement et causer des blessures.


Allumage avec une allumette

- **Ne pas se pencher sur le gril au moment de l'allumage.**
1. Tourner le bouton de commande du brûleur à gaz vers ○ (« arrêt »).
 2. Ouvrir le couvercle avant de l'allumer l'appareil ou du réallumer.
 3. Ouvrir le robinet de la bouteille de gaz propane.
 4. Placez l'allumette dans le support d'allumette (pendant du panneau latéral du gauche du gril). Allumez l'allumette ; allumez alors le brûleur en plaçant l'allumette par le trou de lumière d'allumette du gauche du gril. Pousser immédiatement et tournez le bouton du brûleur à l'extrême gauche en position 🔥 maximale. Assurez-vous que le brûleur s'est allumé et qu'il le reste.
 5. Allumez les brûleurs adjacents un après l'autre en enfonçant et en tournant les boutons correspondants sur la position 🔥 maximale.




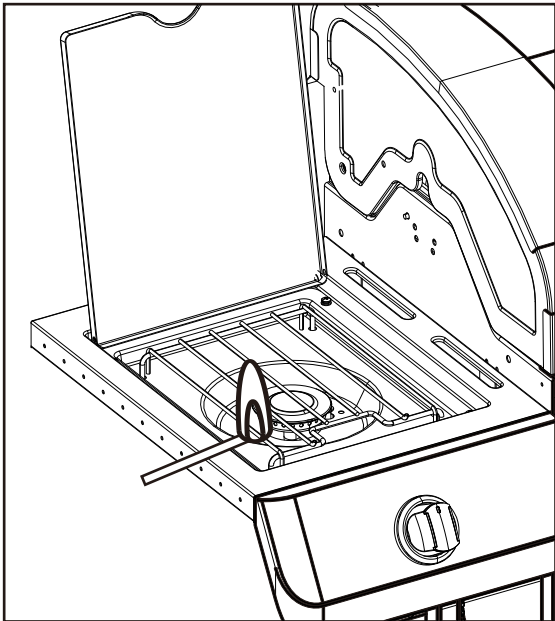
Remarque : il se peut que votre gril NE soit PAS équipé d'un brûleur latéral!

Allumage du brûleur latéral

- **Ne pas se pencher sur le gril au moment de l'allumage.**
1. Tourner le bouton de commande du brûleur à gaz vers ○ (« arrêt »).
 2. Ouvrir le couvercle avant de l'allumer l'appareil ou du réallumer.
 3. Ouvrir le robinet de la bouteille de gaz propane.
 4. Tournez le bouton du brûleur latéral sur la position  maximale, enfoncez le bouton **d'ALLUMAGE ÉLECTRONIQUE** et tenez-le enfoncé.
 5. Si le brûleur latéral NE s'allume PAS, tournez le bouton sur la position ○ d'arrêt, attendez 5 minutes, puis recommencez la procédure d'allumage.

Allumage avec une allumette du brûleur latéral

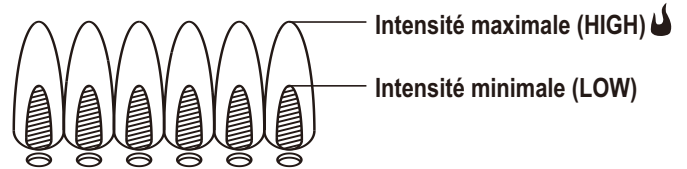
- **Ne pas se pencher sur le gril au moment de l'allumage.**
1. Tourner le bouton de commande du brûleur à gaz vers ○ (« arrêt »).
 2. Ouvrir le couvercle avant de l'allumer l'appareil ou du réallumer.
 3. Ouvrir le robinet de la bouteille de gaz propane.
 4. Posez une allumette allumée près du brûleur. Immédiatement et tournez le bouton du brûleur latéral sur la position  maximale. Assurez-vous que le brûleur s'allume et qu'il reste allumé.



- Il n'est pas possible d'éteindre des incendies de graisse en fermant le couvercle. Les grils sont bien aérés pour des raisons de sécurité.
- N'utilisez pas d'eau pour éteindre un incendie de graisse. Cela pourrait causer des blessures. Si un incendie de graisse se déclare, fermez les boutons et l'alimentation en gaz du réservoir de GPL.
- Ne laissez pas le gril sans surveillance lorsque vous le préchauffez ou que vous brûlez les résidus de nourriture au maximum. Si le gril n'a pas été nettoyé régulièrement, un incendie de graisse peut se déclarer et endommager l'appareil.

Vérification du réglage de la flamme

- Enlevez les grilles et les couvre-brûleurs. Allumez les brûleurs et tournez les boutons de la position maximale à la position minimale. La flamme doit être plus petite en position minimale qu'en position maximale. Effectuez également une vérification de la flamme sur le brûleur latéral. Effectuez toujours une vérification du réglage de la flamme avant chaque utilisation. Si vous ne voyez que de petites flammes, consultez le paragraphe « Baisse soudaine ou faible flamme » de la section *Dépannage*.



Pour éteindre le gril

- Tournez tous les boutons en position ○ d'arrêt. **FERMEZ** le réservoir de GPL en tournant le volant de manœuvre à fond dans le sens horaire.

Vérification du dispositif d'allumage

- **Fermez l'alimentation en gaz au niveau du réservoir de GPL.** Poussez le bouton d'allumage électronique et tenez-le enfoncé. Vous devriez entendre des « clics » et voir des étincelles chaque fois entre le boîtier du collecteur ou le brûleur et l'électrode. Consultez la section « *Dépannage* » s'il ne se produit pas de clics ou d'étincelles.

Vérification du système de valve

- **Important : assurez-vous que la source d'alimentation en gaz est fermée avant de vérifier les valves.** Mettez les boutons en position d'arrêt. Pour vérifier les valves, poussez et relâchez les boutons de commande. Ces derniers devraient revenir en position initiale par effet de ressort. Si ce n'est pas le cas, remplacez l'assemblage de valve avant d'utiliser le gril. Tournez les boutons en position minimale, puis de nouveau en position d'arrêt. Les valves doivent tourner facilement.

Vérification des tuyaux de gaz

- Avant chaque utilisation, examinez les tuyaux afin de voir s'ils sont coupés, usés ou pliés. Remplacez les tuyaux endommagés avant d'utiliser le gril. N'utilisez que le système de valve, le tuyau et le régulateur exigés par le fabricant.

Entreposage de votre gril

- Nettoyez les grilles de cuisson.
- Entreposez le gril dans un endroit sec.
- Lorsque le réservoir de GPL est connecté au gril, entreposez-les à l'extérieur dans un endroit bien aéré et hors de portée des enfants.
- Couvrez le gril s'il est entrepoisé à l'extérieur. Le fabricant offre un choix complet de couvertures de gril à charbroil.com.
- Entreposez le gril à l'intérieur SEULEMENT si le réservoir de GPL est fermé, détaché du gril et entrepoisé à l'extérieur.
- Lorsque vous voulez réutiliser le gril après une période d'entrepoisage, suivez les instructions de « *Nettoyage du brûleur* » avant d'allumer le gril.



ATTENTION



ATTENTION AUX ARAIGNÉES!

**ARAIGNÉES ET TOILES
À L'INTÉRIEUR DU
BRÛLEUR**



Votre graveur peut être différent

Si votre gril devient difficile à allumer ou que la flamme est faible, vérifiez et nettoyez les tubes venturi et les brûleurs.

Des araignées ou de petits insectes peuvent créer des problèmes de « retour de flamme » en construisant des nids et en pondant dans les tubes venturi ou les brûleurs et en obstruant ainsi l'écoulement de gaz. Le gaz refoulé peut s'enflammer derrière le tableau de commande. Ce retour de flamme peut endommager le gril et causer des blessures. Afin de prévenir les retours de flamme et de garantir le bon fonctionnement du brûleur et du tube venturi, il faut retirer et nettoyer l'assemblage lorsque l'appareil n'a pas été utilisé depuis longtemps.

Nettoyage général du gril

- Ne confondez pas les accumulations brunes ou noires de graisse et de fumée avec de la peinture. Utilisez une solution puissante de détergent et d'eau ou utilisez un produit de nettoyage pour grils et une brosse à récurer sur les surfaces intérieures du couvercle du gril et du fond de celui-ci. Rincez et laissez sécher complètement à l'air. **N'utilisez pas de produit de nettoyage caustique pour gril ou four sur les surfaces peintes.**
- **Pièces de plastique** : lavez à l'eau savonneuse chaude et séchez en essuyant.
 - N'utilisez pas de Citrisol, de produits de nettoyage abrasifs, d'agents de dégraissage ou de produits de nettoyage de gril concentré sur les pièces en plastique. Cela pourrait les endommager et causer des défaillances dans leur fonctionnement.
- **Surfaces en porcelaine** : la composition de ces surfaces étant semblable au verre, la plupart des résidus peuvent être nettoyés avec un chiffon à l'aide d'une solution de bicarbonate de sodium et d'eau ou d'un nettoyant spécialement formulé. Utilisez de la poudre à récurer non abrasive pour les taches tenaces.
- **Surfaces peintes** : lavez avec un détergent doux ou avec un nettoyant non abrasif et de l'eau chaude savonneuse, puis essuyez avec un chiffon doux non abrasif.
- **Surfaces d'acier inoxydable** : afin de conserver l'apparence de qualité supérieure de votre gril, lavez les surfaces d'acier inoxydable au moyen de détergent doux et d'eau chaude savonneuse puis essuyez-les au moyen d'un chiffon doux après chaque utilisation. Les dépôts de graisse cuits sur la surface peuvent nécessiter l'utilisation d'un tampon nettoyeur en plastique abrasif. Frottez dans le sens du fini afin d'éviter d'endommager les surfaces. N'utilisez pas de tampon abrasif sur les endroits comportant des éléments graphiques.
- **Surfaces de cuisson** : Si une brosse avec soies est employée pour nettoyer les surfaces de cuisson du gril, assurez-vous qu'aucune soie ne reste sur les surfaces avant de procéder à la cuisson. Il est déconseillé de nettoyer les surfaces de cuisson alors que le gril est chaud.

Nettoyage de l'assemblage du brûleur

Suivez ces instructions pour nettoyer ou remplacer des pièces du brûleur ou si vous éprouvez de la difficulté à allumer le gril.

1. **Fermez tous les boutons de réglage, ainsi que la valve du réservoir de gaz.**
2. Enlevez les grilles et les couvre-brûleurs.
3. Suppression de report des tubes et de pièces de fixation brûleurs.
4. Détacher électrode de brûleur.

REMARQUE: la suppression / Détachement de la méthode dépend de la configuration du brûleur. Voir les différentes configurations dans les illustrations ci-dessous.

5. Soulevez chaque brûleur avec soin en l'éloignant des ouvertures du système de valve.

Nous recommandons trois façons de nettoyer les tubes des brûleurs. Choisissez celle qui vous semble la plus facile.

- (A) Faites un petit crochet à l'aide d'un fil raide (un cintre léger fait très bien l'affaire). Passez le crochet à plusieurs reprises dans chaque tube de brûleur.



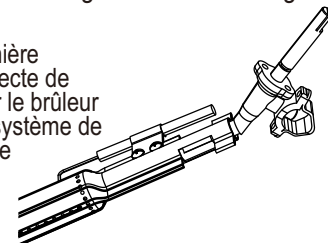
- (B) En utilisant un goupillon étroit à manche souple (ne vous servez pas d'une brosse métallique en laiton), passez-en les poils plusieurs fois dans chaque tube de brûleur.

- (C) **Portez des lunettes de sécurité** : servez-vous d'un tuyau à air pour forcer un jet d'air dans le tube du brûleur qui sortira par les orifices de combustion. Examinez chaque orifice afin de vous assurer que de l'air sort par chacun des trous.

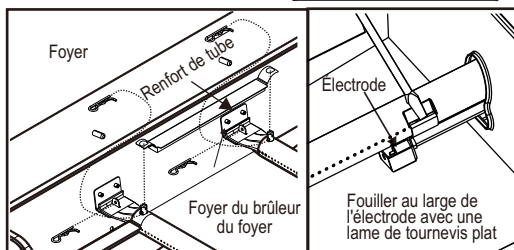
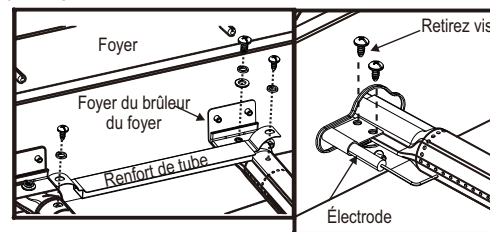
6. Passez une brosse métallique sur toute la surface extérieure du brûleur pour enlever les résidus de nourriture et les saletés.
7. Nettoyez tout orifice bouché avec un fil raide tel qu'un trombone déplié.
8. Vérifiez si les brûleurs ne sont pas endommagés. En raison de l'usure normale et de la corrosion, certains trous peuvent s'être agrandis. Si vous notez de larges fissures ou de grands trous, remplacez le brûleur.

TRÈS IMPORTANT : les tubes de brûleur doivent entrer à nouveau dans les ouvertures de la valve. Voir les schémas à droite.

Manière correcte de fixer le brûleur au système de valve



9. Fixez l'électrode au brûleur.
10. Remplacez soigneusement les brûleurs.
11. Fixez les brûleurs à leur support dans le foyer.
12. Repositionnez les renforts de tube et fixez-les aux brûleurs. Réassemblez les couvre-brûleurs et les grilles de cuisson.
13. Avant d'utiliser à nouveau le gril pour la cuisson, faites un « essai d'étanchéité » et une « vérification du réglage de la flamme ».



GARANTIE LIMITÉE

La présente garantie n'est valide que pour les appareils achetés auprès d'un détaillant autorisé. Le fabricant garantit à l'**acheteur initial**, et uniquement celui-ci, que le produit est exempt de tout défaut de matériel et de main-d'œuvre, dans la mesure où il a été assemblé correctement, qu'il est utilisé de façon normale et raisonnable à des fins personnelles, et ce, pendant la durée de la période indiquée ci-dessous et commençant le jour de l'achat du produit*. Le fabricant se réserve le droit de demander au client que les pièces défectueuses lui soient expédiées, port ou fret prépayé, pour fins d'examen.

Portée de la couverture	Période de couverture	Type de défaillances couvertes
Brûleur en acier inoxydable	10 ans à compter de la date d'achat *	Perforation, Défauts de fabrication et de matériel Uniquement
Chambre de combustion, couvercle, grills de cuisson et les émetteurs	3 ans à compter de la date d'achat *	
Reste des pièces	1 an à compter de la date d'achat *	

*Remarque : dans la mesure où le client inscrit le produit et fournit un exemplaire du reçu de caisse ou de la facture portant la date de l'achat, la période de couverture de la garantie sera étendue de façon à commencer à la date d'achat du produit.

L'acheteur initial assume la responsabilité de l'ensemble des frais d'expédition pour le remplacement de pièces en vertu des modalités de la présente garantie limitée.

Cette garantie limitée n'est valide qu'aux États-Unis et au Canada; elle n'est en vigueur que pour l'acheteur initial du produit et n'est pas transférable. **Le fabricant exigera une preuve de la date d'achat. Par conséquent, vous devez conserver votre reçu de caisse ou votre facture.** L'enregistrement du produit ne constitue pas une preuve d'achat. Il n'appartient pas au fabricant de tenir un dossier des achats des clients.

La présente garantie limitée vise **UNIQUEMENT** le fonctionnement du produit et elle ne touche donc pas les questions esthétiques, telles les égratignures, les bosses, la corrosion ou la décoloration causée par la chaleur, des nettoyeurs abrasifs ou chimiques, quelque outil que ce soit employé lors de l'assemblage ou de l'installation de l'appareil, la rouille en surface, ni la décoloration des surfaces en acier inoxydable. La peinture n'est pas garantie et requiert des retouches. **Rouille n'est pas considéré comme un matériel de fabrication ou de défaut.**

La présente garantie limitée ne couvre pas le remboursement de frais associés à un inconfort, à une perte de nourriture, à des blessures personnelles ou au bris de biens matériels.

ÉLÉMENTS NON REMBOURSÉS PAR LE FABRICANT :

1. Frais d'expédition, service régulier ou accéléré, tant pour une pièce couverte par la garantie que pour une pièce de rechange.
2. Visite d'un réparateur à votre domicile.
3. Les réparations lorsque le produit est employé à des fins autres qu'un usage normal résidentiel pour une seule famille.
4. Des dommages, des défaillances ou des difficultés de fonctionnement découlant d'un accident, d'une modification, d'une manipulation négligente, d'une mauvaise utilisation, d'un usage abusif, d'un incendie, d'une inondation, d'une catastrophe naturelle, d'une installation ou d'un entretien inadéquats, d'un montage non conforme aux codes de l'électricité et de plomberie en vigueur, ou de l'utilisation de produits non approuvés par le fabricant.
5. Toute perte de nourriture causée par une défaillance du produit ou des difficultés de fonctionnement.
6. Les pièces de rechange ou les coûts de la main-d'œuvre pour un appareil ayant fonctionné hors des États-Unis ou du Canada.
7. Le ramassage et la livraison du produit.
8. La réparation de pièces ou de systèmes suite à des modifications non autorisées apportées au produit.
9. Le démontage ou la réinstallation de l'appareil.

STIPULATION D'EXONÉRATION DE GARANTIES et LIMITATION DES RECOURS

La réparation ou le remplacement d'une pièce défectueuse constitue votre seul recours en vertu des modalités de la présente garantie limitée. En cas de problèmes de disponibilité des pièces, le constructeur se réserve le droit de remplacer des pièces similaires qui sont également fonctionnels. Le fabricant n'assume aucune responsabilité pour tout dommage consécutif ou accessoire découlant d'une violation soit de la présente garantie soit de toute autre garantie tacite, ou pour une défaillance ou des dommages résultant d'une calamité naturelle, d'un entretien inadéquat, d'un incendie de graisse, d'un accident, d'une modification apportée à l'appareil, du remplacement de pièces par une personne autre que le fabricant, d'un mauvais usage, du transport, d'une utilisation commerciale, d'un usage abusif, de la présence d'environnements hostiles (temps non clément, catastrophes naturelles, altération par les animaux), d'une installation inadéquate ou non conforme aux codes locaux, ou des instructions imprimées du fabricant.

LA PRÉSENTE GARANTIE LIMITÉE CONSTITUE L'UNIQUE GARANTIE EXPLICITE ÉMISE PAR LE FABRICANT. LE FABRICANT NE FORMULE AUCUNE DÉCLARATION NI DESCRIPTION DE RENDEMENT ASSOCIÉE AU PRODUIT, PEU IMPORTE OÙ CELLE-CI POURRAIT FIGURER, SAUF DANS LES ÉNONCÉS DE LA PRÉSENTE GARANTIE LIMITÉE. TOUTE PROTECTION DE GARANTIE TACITE DÉCOULANT DES LOIS D'UN ÉTAT OU D'UNE PROVINCE, Y COMPRIS LES GARANTIES IMPLICITES DE QUALITÉ MARCHANDE OU D'ADAPTATION À UN USAGE OU OBJECTIF PARTICULIER, SE LIMITE À LA DURÉE DE LA PRÉSENTE GARANTIE LIMITÉE.

Ni les représentants commerciaux ni les détaillants vendant l'appareil n'ont l'autorisation de produire une garantie supplémentaire ni de promettre des recours s'ajoutant à ceux mentionnés ci-dessus, qu'ils soient ou non compatibles avec ceux-ci. Dans tous les cas, la responsabilité maximale du fabricant ne pourra dépasser le prix d'achat de l'appareil payé par l'acheteur initial.

REMARQUE : certains États ou certaines provinces n'autorisent pas les exclusions ou les restrictions de dommages consécutifs ou accessoires, de sorte qu'il est possible que certaines des restrictions ou exclusions ci-dessus ne s'appliquent pas à vous. La présente garantie limitée vous donne des droits juridiques spécifiques qui sont exposés aux présentes. Il est possible que vous disposiez d'autres droits qui peuvent varier d'un État et d'une province à l'autre. Dans l'État de Californie uniquement, si la remise en état ou le remplacement du produit n'est pas commercialement possible, le détaillant ayant vendu l'appareil ou le fabricant rembourseront le montant payé par l'acheteur, et déduiront une somme directement proportionnelle à l'utilisation par l'acheteur initial avant la découverte de la non-conformité. De plus, dans l'état de Californie uniquement, vous pouvez rapporter l'appareil au détaillant qui vous a vendu le produit afin de bénéficier des privilèges que vous donne la présente garantie limitée.

Si vous désirez qu'une obligation, quelle qu'elle soit, soit exécutée en vertu de la présente garantie limitée, vous devez écrire à :

**Consumer Relations
P. O. Box 1240
Columbus, GA 31902-1240**

Les retours de marchandise des clients ne seront acceptés que si une autorisation de retour (Return Authorization) valide a été obtenue au préalable. Les retours autorisés doivent être clairement identifiés par leur numéro sur l'extérieur de l'emballage. De plus, le fret ou les frais d'expédition doivent être prépayés. Tout retour de marchandise d'un client qui ne satisfait pas à ces critères sera refusé.

ÍNDICE DE MATERIAS

Por su propia seguridad	22-24
Uso y mantenimiento	24-30
Garantía limitada.	31
Vista esquemática de las piezas.	32
Lista de piezas	35
Lista de herrajes	36
Armado	37-48
Resolución de problemas	53-54
Tarjeta de inscripción	55

A LA PERSONA QUE INSTALE O ENSAMBLE ESTA PARRILLA:

Deje este manual al cliente.

AL CONSUMIDOR:

Conserve este manual para que lo pueda consultar en el futuro.

Símbolos de seguridad

Los símbolos y las casillas ilustradas más adelante explican lo que significa cada encabezado. Lea y cumpla lo indicado en los mensajes que se encuentran en todo el manual.

	ADVERTENCIA	
ADVERTENCIA: Indica una situación potencialmente peligrosa o una práctica insegura que, de no evitarse, podría causar lesiones leves o menores.		
	ADVERTENCIA	
ADVERTENCIA: Indica una situación potencialmente peligrosa que, de no evitarse, podría causar la muerte o lesiones graves.		
	PELIGRO	
PELIGRO: Indica una situación peligrosa inminente que, de no evitarse, ocasionará la muerte o lesiones graves.		

	ADVERTENCIA	
Sólo para uso particular. No lo use para fines comerciales.		
ESTA PARRILLA SOLO SE PUEDE USAR EN EXTERIORES.		
	PELIGRO	
Si siente olor a gas: 1. Cierre el paso de gas al aparato. 2. Apague toda llama al descubierto. 3. Abra la tapa. 4. Si el olor continúa, guarde lejos de la aplicación y llame inmediatamente su surtidor del gas o su cuerpo de bomberos.		
	ADVERTENCIA	
1. No guarde ni use gasolina ni otros gases o líquidos inflamables cerca de éste ni de cualquier otro aparato. 2. No guarde un tanque de gas propano, que no esté conectado, cerca de éste ni de cualquier otro aparato.		
	ADVERTENCIA	
No intente reparar ni modificar la unidad de la manguera/la válvula/el regulador debido a un "supuesto" defecto. Toda modificación a esta unidad anulará la garantía y creará el riesgo de una fuga de gas e incendio. Use únicamente repuestos autorizados, suministrados por el fabricante.		
	PELIGRO	
Si durante el funcionamiento las llamas se apagan (Huele a gas o no se ve la llama) 1. Gire los controles del quemador a <input type="radio"/> APAGADO. 2. Abra la tapa. 3. Espere 5 minutos y repita el procedimiento de encendido. Si el quemador se apaga, el gas continuará escapando del quemador y puede accidentalmente encenderse con riesgo de lesiones.		
	ADVERTENCIA	
No cubra las rejillas con papel aluminio ni con ningún otro material. Este bloqueará la ventilación del quemador y creará situaciones peligrosas que podrían provocar daños materiales o lesiones corporales.		



ADVERTENCIA



El no cumplir con todas instrucciones del fabricante puede ocasionar graves y/o daños materiales.



ADVERTENCIA



Antes de empezar a ensamblar la parrilla y cocinar, lea y siga todas las indicaciones de seguridad, las instrucciones de ensamblado y las instrucciones de uso y de cuidado



ADVERTENCIA



Ciertas pueden tener bordes cortantes. Si es necesario, use guantes protectores.



ADVERTENCIA



Fuego de Grasa

- No es posible apagar los fuegos provocados por la grasa cerrando la tapa. Por razones de seguridad, las parrillas tienen aberturas de ventilación.
- No use agua para apagar los fuegos provocados por la grasa. Esto puede ocasionar lesiones. Si surge un fuego provocado por la grasa, cierre las perillas y el tanque de gas.
- Si el asador no se ha limpiado regularmente, podría ocurrir fuego causado por la grasa que podría dañar el producto. Preste mucha atención mientras precalienta o quema los residuos de comida para asegurar que no se cause fuego debido a la grasa.
- La mejor forma de prevenir el incendio de grasas es limpiar frecuentemente la parrilla siguiendo las instrucciones de Limpieza general de la parrilla y Limpieza del conjunto quemador.



ADVERTENCIA



PROPOSICION 65 DEL ESTADO DE CALIFORNIA

1. En el estado de California se sabe que los subproductos de la combustión, que se producen al usar este producto, contienen sustancias químicas que causan cáncer, defectos congénitos u otras lesiones al aparato reproductor.
2. Este producto contiene sustancias químicas, incluyendo el plomo y compuestos de plomo, que en el estado de California se sabe que las causan cáncer, defectos congénitos u otras lesiones al aparato reproductor.

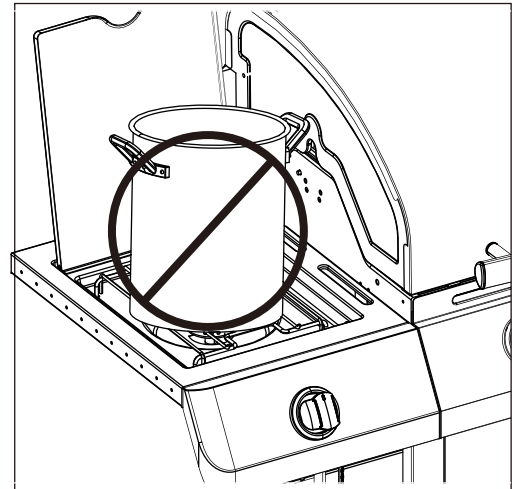
Lávese las manos después de manipular este



ADVERTENCIA



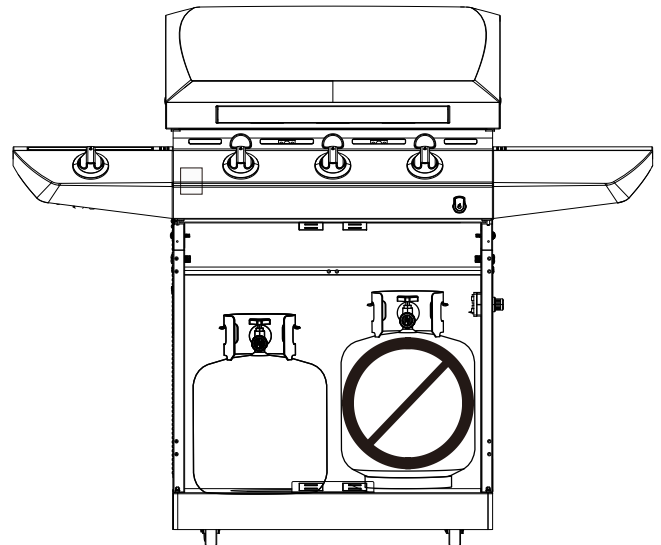
El uso de macetas de más de 6 cuartos de la capacidad podría superar límite de peso de lado el quemador plataforma o lado plataforma lo que resulta en el fracaso de la parrilla carrito componentes.



PELIGRO



- NUNCA guarde los cilindros de gas de repuesto debajo del aparato, cerca del mismo, ni en áreas cerradas.



- Nunca cargue el tanque con más del 80% de su capacidad.
- Los tanques de gas propano de repuesto sobrecargados o mal llenados son peligrosos, ya que la válvula de seguridad puede dejar salir gas. Esto puede provocar incendios intensos que pueden causar daños materiales, lesiones graves o la muerte.
- Si observa, huele o escucha una fuga de gas, aléjese de inmediato del cilindro y del aparato, y llame a los bomberos.

Medidas de seguridad para la instalación

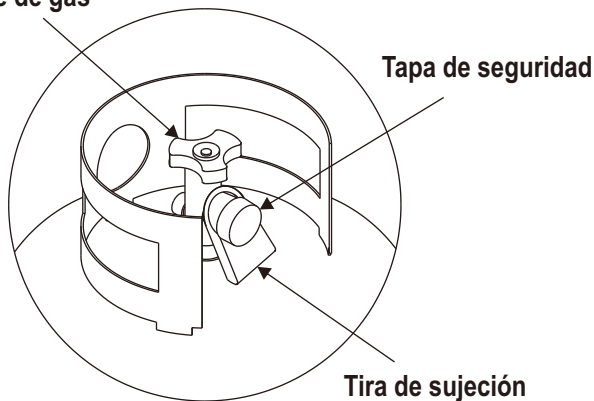
- Utilice la parrilla, tal como se compró, sólo con LP (propano), el gas y el regulador / válvula de montaje suministrado. Si su parrilla es de doble combustible listo, un kit de conversión debe ser adquirido para su uso con gas natural.
- La instalación de la parrilla debe cumplir con las disposiciones de los códigos locales, o, en su defecto, con el **National Fuel Gas Code (o Código nacional sobre gases combustibles)**, y las normas **NFPA 54 / ANSI Z223.1 y Natural Gas and Propane Installation Code (Código de la instalación del gas natural y del propano)**, **CSA B149.1**.
- Todos los accesorios eléctricos (tal como el asador) deben estar conectados a tierra de conformidad con los códigos locales, o con el **National Electrical Code (Código nacional sobre electricidad)**, **ANSI / NFPA 70**. Mantenga todo cable eléctrico o tubería de suministro de combustible alejados de las superficies calientes.
- Esta parrilla únicamente cuenta con la certificación de seguridad para ser usada en los Estados Unidos. No la modifique para usarla en ningún otro lugar. Cualquier modificación puede poner en peligro su seguridad.

USO Y MANTENIMIENTO

Remoción, transporte y almacenamiento del tanque de gas propano

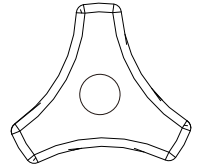
- **CIERRE** todas las perillas de control y la válvula del tanque. Gire la tuerca de unión en sentido contrario a las agujas del reloj, a mano solamente; no use herramientas para desconectarla. Afloje el tornillo, ubicado debajo de la repisa, o desconecte el dispositivo de retención del tanque, luego levante el tanque de gas para sacarlo del carrito. Instale la tapa de seguridad en la válvula del tanque de gas. Use siempre la tapa y la correa que vienen con la válvula. **Si la tapa de seguridad no se usa tal como se indica, esto puede ocasionar lesiones o daños materiales graves.**
- Los tanques de gas desconectados, guardados o en transporte, deben tener instalada la tapa de seguridad (como se ilustra). No guarde el tanque de gas en sitios cerrados, tales como cocheras, garajes, porches, patios techados u otras edificaciones.
- No guarde un tanque de gas en un área donde el juegan niños.

Válvula del tanque de gas

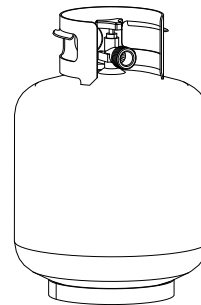


Tanque de gas propano

- **El tanque de gas que use con su parrilla debe cumplir los siguientes requisitos:**
- Use únicamente tanques de gas que tengan las siguientes medidas obligatorias: 12 PULGADAS (30.5 cm) (diámetro) x 18 PULGADAS (45.7 cm) (altura), con una capacidad máxima de 20 lb. (9 kg).
- Los tanques de gas propano deben ser fabricados y codificados según las especificaciones para tanques de gas propano del Departamento de Transportes de los Estados Unidos (DOT), o en Canadá, según las normas CAN/CSA-B339, sobre cilindros, esferas y tubos para el transporte de mercancías peligrosas del Ministerio de Transportes de Canadá (CT). El código se encuentra en el collarín del tanque de gas.
- La válvula del tanque de gas debe tener:
 - Una salida de tipo 1, compatible con el regulador o la parrilla.
 - Una válvula de paso de seguridad.
 - Un dispositivo de seguridad volumétrica (OPD por sus siglas en inglés) certificado por UL. Esta característica de seguridad OPD se identifica mediante una manilla de forma triangular. **Use únicamente tanques equipados con válvulas de este tipo.**
- El cilindro de gas LP debe estar en posición vertical para la eliminación de vapores e incluir un cuello para proteger la válvula del cilindro de gas LP. Siempre mantenga los cilindros en posición vertical durante el uso, transporte y almacenamiento.



Manilla del dispositivo de seguridad volumétrica



Tanque de gas en posición vertical para extraer el vapor

El gas propano (GLP)

- Es atóxico, inodoro e incoloro en el momento en que se produce. **Para su seguridad**, al gas propano se le ha incorporado un olor (parecido al de la col podrida), de modo que se pueda oler.
- El gas propano es sumamente inflamable y se puede encender en forma inesperada al mezclarse con el aire.

Carga de los tanques de gas propano

- Recorra solamente a vendedores autorizados y con experiencia.
- El vendedor de gas debe **purgar el tanque nuevo** antes de cargarlo.
- El vendedor no debe cargar **NUNCA** el tanque de gas con más del 80% de su volumen. El volumen de propano en el tanque puede variar con la temperatura.
- Si el regulador está empañado, eso indica que el tanque está sobrecargado. Cierre de inmediato la válvula del tanque y solicite ayuda del vendedor de gas propano.
- No deje escapar gas propano a la atmósfera. Ésta es una práctica peligrosa.
- Solicite ayuda del vendedor de propano o de los bomberos, para vaciar el gas de su tanque. Identifique a los vendedores autorizados de propano de su región en la sección de "compañías de gas" de la guía telefónica.

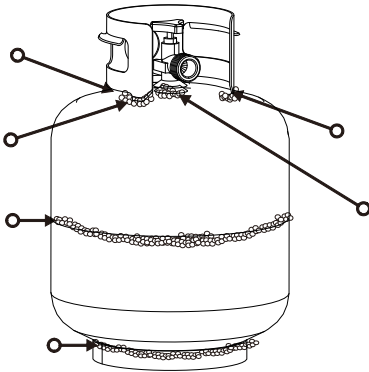
Cambio del tanque de gas

- Muchos comerciantes minoristas que venden parrillas, le ofrecen la opción de cambiar su tanque de gas vacío mediante un servicio de recambio. Emplee únicamente empresas de recambio de buena reputación, que inspeccionen, carguen con precisión, verifiquen y certifiquen sus cilindros. **Cambie su tanque sólo por otros tanques equipados con el dispositivo de seguridad volumétrica que se describe en la sección de tanques de gas de este manual.**
- Siempre mantenga los tanques de gas, nuevos y de repuesto, en posición vertical durante su uso, su transporte o su almacenamiento.
- **Verifique que el tanque de gas, nuevo o de recambio, no tenga fugas ANTES de conectarlo a la parrilla.**
- Coloque la tapade seguridad sobre la salida de la válvula del tanque de gas cuando no lo use. Instale únicamente el tipo de tapade seguridad que viene con la válvula del tanque. Los otros tipos de tapas o tapones pueden dejar escapar el gas propano.

Prueba para detectar fugas del tanque de gas propano

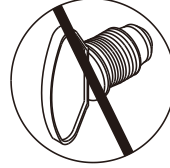
Por su propia su seguridad

- Se debe efectuar la prueba para detectar fugas cada vez que se cambie o se recargue el tanque.
- No fume durante la prueba para detectar fugas.
- No use una llama al descubierto para comprobar si el tanque tiene fugas.
- La prueba para detectar fugas de la parrilla se debe efectuar al aire libre, en un área bien ventilada, alejada de toda fuente de ignición tal como los artefactos a gas o eléctricos. Durante la prueba para detectar fugas, mantenga la parrilla alejada de las llamas al descubierto o de las chispas.
- Use una brocha de pintura limpia y una solución de 50/50 de agua y jabón suave. Pinte con la solución jabonosa las áreas indicadas por las flechas en la ilustración que sigue.
- **No use productos de limpieza del hogar.** Esto puede dañar los componentes del circuito de gas.



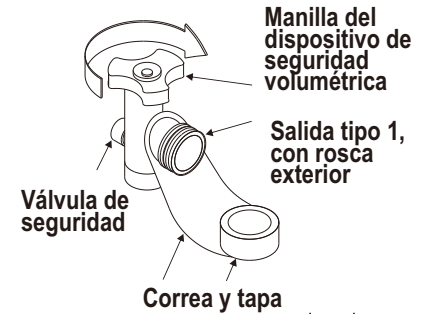
Como conectar el regulador al tanque de gas propano

1. El tanque de gas debe quedar bien fijado a la parrilla. (Lea la sección de ensamblado.)
2. Gire todas las perillas de control a la posición APAGADO (OFF).
3. **CIERRE** el tanque de gas, girando la manilla de la válvula en el sentido de las agujas del reloj, hasta que se detenga.
4. Retire la tapa de seguridad de la válvula del cilindro de gas LP. Siempre use la tapa y correa, si se suministraron con la válvula.



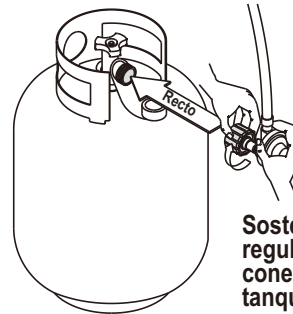
Cierre en el sentido de las agujas del reloj

¡No use un tapón POL para transporte (la pieza de plástico con roscas en el exterior)! Anulará la característica de seguridad de la válvula.



5. Sostenga el regulador e inserte el manguito de unión en la válvula del tanque de gas. Apriete a mano la tuerca de unión, mientras sostiene el regulador en línea recta con la válvula del tanque, para no saltar ninguna rosca de la conexión.

El manguito de unión debe quedar centrado en la válvula del tanque de gas.



Sostenga la tuerca de unión y el regulador, como se ilustra, para conectarlos bien a la válvula del tanque.

6. Gire la tuerca de unión en el sentido de las agujas del reloj, apretándola hasta que no se mueva más. El regulador formará un sello en el dispositivo de seguridad de la válvula del tanque, lo que creará cierta resistencia. **Se deberá hacer girar la tuerca entre un cuarto y tres cuartos de vuelta adicionales, para completar la conexión. Apriétela a mano, no use herramientas.**

NOTA: Si no puede completar la conexión, desconecte el regulador repita los pasos 5 y 6. Si a pesar de haberlo hecho, todavía no puede completar la conexión, **¡no use este regulador!**

ADVERTENCIA

Si aparecen burbujas que aumentan de tamaño, no use ni mueva el tanque de gas. ¡Comuníquese con el proveedor de gas propano o con los bomberos!

PELIGRO

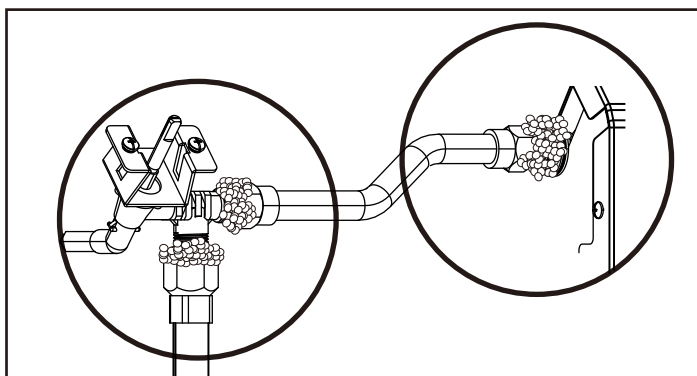
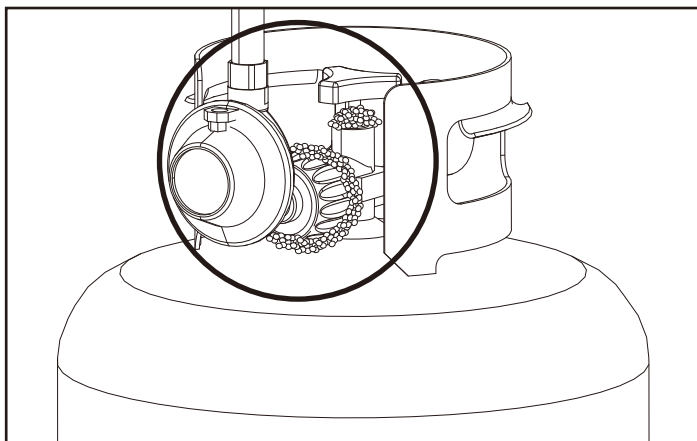
No introduzca ninguna herramienta ni ningún objeto extraño en la salida de la válvula ni en la válvula de seguridad. Puede dañarla y causar una fuga. Las fugas de gas propano pueden causar explosiones, incendios, lesiones graves o la muerte.

ADVERTENCIA

- No use la parrilla sin antes haber verificado que no tenga fugas.
- Si en algún momento detecta una fuga, ¡DETÉNGASE! Apague la fuente de gas y corrija la fuga.
- Si no puede detener una fuga de gas cerrando la zona baja vavle del tanque de gas y llame a los bomberos.

Prueba para detectar fugas de las válvulas, las mangueras y el regulador

1. Cierre todas las perillas de control de la parrilla.
2. Cerciórese de que el regulador esté bien conectado al tanque de gas.
3. Abra por completo la válvula del tanque, girando la manilla en sentido contrario a las agujas del reloj. Si escucha un sonido de ráfaga, cierre de inmediato el paso de gas. La conexión tiene una fuga considerable. **Corrija esta situación antes de continuar.**
4. Aplique solución jabonosa con la brocha, en las áreas marcadas con un círculo en la ilustración que sigue. u otros accesorios similares en su parrilla.



NOTA: Para mayor claridad, no se ilustra la máscara de del estante del quemador lateral y otras partes.

NOTA: Su parrilla puede no tener una hornilla lateral.

5. Si aparecen burbujas que aumentan de tamaño, existe una fuga. Cierre de inmediato la válvula del tanque de gas y vuelva a apretar las conexiones. **Si no puede eliminar las fugas, no intente repararlas.** Solicite una pieza de repuesto. Encargue las piezas nuevas indicando el número de serie, de modelo y el nombre de las piezas que requiera (vea la lista de piezas), llamando al centro de servicio para parrillas
6. Después de hacer una prueba para detectar fugas, cierre siempre la válvula del tanque de gas, girando la manilla en el sentido de las agujas del reloj.

ADVERTENCIA

- El aparato a gas para uso al aire libre no ha sido diseñado para ser instalado en embarcaciones.
- El aparato a gas para uso al aire libre no ha sido diseñado para ser instalado en vehículos de recreo.
- Nunca trate de conectar esta parrilla al sistema de gas propano independiente de un remolque de recreo o de una casa rodante.

Consejos de seguridad

- Verifique que la tuerca de unión esté bien apretada antes de abrir la válvula del tanque de gas.
- Cuando no use la parrilla, cierre todas las perillas de control y la válvula del tanque de gas.
- Nunca mueva la parrilla cuando la esté usando o mientras esté caliente.
- Algunas superficies pueden estar calientes durante el uso. Use utensilios para parrilla de mango largo y guantes para hornear, para evitar quemaduras y salpicaduras.
- El peso máximo que soportan el quemador lateral y la repisa lateral es de 10 lb.
- La bandeja o el recipiente para la grasa debe estar colocado siempre que use la parrilla, y lo debe vaciar cada vez después de usarla. No retire la bandeja o el recipiente para la grasa hasta que la parrilla se haya enfriado por completo.
- Limpie la parrilla con frecuencia; de preferencia cada vez después de usarla. Si utiliza un cepillo de cerdas para limpiar las superficies para cocinar, antes de usar la parrilla verifique que no queden cerdas sueltas sobre éstas. Se recomienda no limpiar las superficies para cocinar cuando la parrilla esté aún caliente.
- Si observa que de la parrilla caen gotas de grasa u otras sustancias calientes sobre la válvula, la manguera o el regulador, cierre inmediatamente el paso de gas. Establezca la causa, corrija el problema, limpie e inspeccione la válvula, la manguera y el regulador, antes de proseguir. Haga una prueba para detectar fugas.
- Mantenga limpias y sin residuos las aberturas de ventilación del recinto para el cilindro de gas (del carrito de la parrilla).
- No guarde objetos ni materiales dentro del carrito de la parrilla que puedan bloquear la circulación del aire de la combustión a la parte inferior del tablero de control o de la caja de la cámara de combustión.
- El regulador puede emitir un sonido zumbante o sibilante durante su uso. Esto no afectará la seguridad ni el uso de la parrilla.
- Si tiene un problema con la parrilla, lea la sección de *Resolución de problemas*.
- Si el regulador se empaña, apague inmediatamente la parrilla y cierre la válvula del tanque de gas. Esto indica que existe un problema con el tanque y no debe ser usado en ningún otro producto. ¡Devuélvalo al proveedor!

ADVERTENCIA

PELIGRO DE ASFIXIA: Piezas pequeñas. No apto para niños menores de 3 años.

Batería

- a. Tamaño/tipo/denominación de la batería: AA
- b. Voltaje nominal: 1,5 v
- c. Cantidad de baterías necesarias: 5 unidades
- d. Batería incluida: Sí

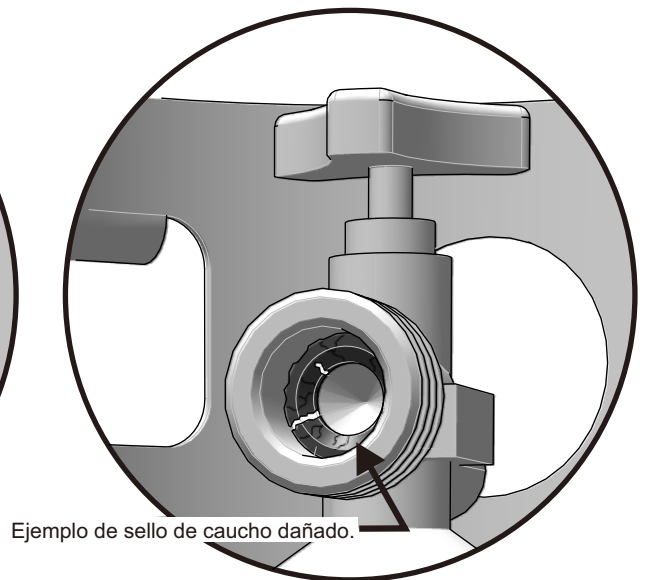
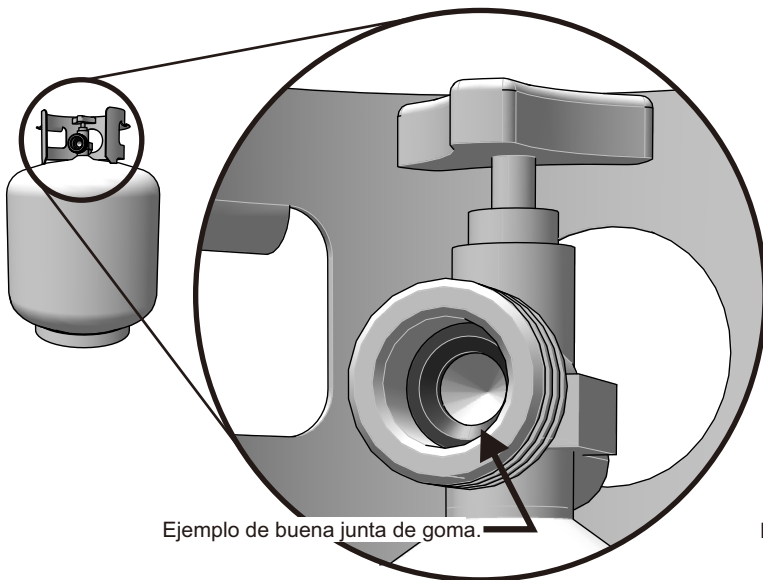
Las baterías no recargables no deben recargarse. Las baterías deben insertarse con la polaridad correcta. Las baterías agotadas deben retirarse del producto. No arroje las baterías al fuego. Las baterías pueden explotar o experimentar fugas.



ADVERTENCIA

INSPECCIÓN DEL SELLO DE GOMA DEL CILINDRO DE GAS LP.

- Inspeccione el sello de goma de la válvula del cilindro de gas LP para detectar grietas, desgaste o deterioro antes de cada uso. Un sello de goma dañado puede causar una fuga de gas, lo que posiblemente puede resultar en una explosión, incendio o lesiones corporales graves.
- Se recomienda que inspeccione el sello de goma cada vez que se conecte el cilindro de gas LP al dispositivo, cada vez que se rellene, o si no ha sido utilizado en más de 60 días.
- NO utilice un cilindro de gas LP con un sello de goma dañado. El sello de goma NO PUEDE ser reparado o reemplazado. Compre un cilindro nuevo o cámbielo. Debe inspeccionar el sello antes de aceptar un cilindro nuevo o cambiado. NO inserte herramientas u objetos extraños en la abertura de la válvula del cilindro ya que podría dañar el sello de goma.
- El procedimiento de comprobación de fugas descrito en el manual de ensamblaje/guía del producto DEBE seguirse cada vez que el cilindro de gas LP se conecta al aparato. Consulte el manual de ensamblaje/guía del producto para ver el procedimiento y las ubicaciones correctas para la comprobación de fugas.



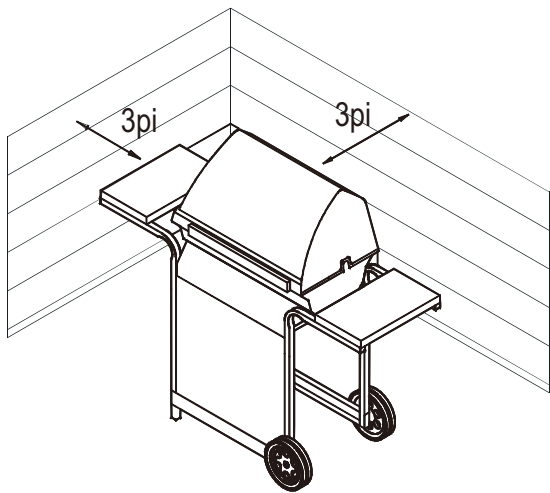


ADVERTENCIA



Para usar su parrilla en forma segura y para evitar lesiones graves:

- No deje que los niños usen la parrilla ni que jueguen cerca de la misma.
- Mantenga el área de la parrilla limpia y sin materiales combustibles.
- No obstruya los orificios laterales ni los de la parte posterior de la parrilla.
- Revise periódicamente las llamas del quemador.
- Use la parrilla sólo en lugares bien ventilados. NUNCA la use en lugares cerrados tales como cocheras, garajes, porches, patios techados o debajo de superficies de ningún tipo.
- No use carbón ni briquetas de cerámica en una parrilla a gas.
- No cubra las rejillas con papel aluminio ni con ningún otro material. Este bloqueará la ventilación del quemador y creará situaciones peligrosas que podrían provocar daños materiales o lesiones corporales.
- Use la parrilla al menos a 3 pies de distancia de cualquier pared o superficie. Deje un espacio de 10 pies entre la parrilla y los objetos que puedan incendiarse o que sean fuentes de ignición, tal como las llamas piloto de calentadores de agua, aparatos eléctricos conectados, etc.



- NUNCA trate de encender el quemador con la tapa cerrada. Las acumulaciones de gas no encendido en las parrillas tapadas son peligrosas.
- Nunca use la parrilla si el tanque de gas no está en la posición correcta que se especifica en las instrucciones de armado.
- Siempre cierre la válvula del tanque de gas y retire la tuerca de unión antes de mover el tanque del sitio específico de uso.
- Para personas que viven en apartamentos:
Pídale al administrador que le indique los requisitos y los códigos contra incendios que corresponden al uso de parrillas de gas propano en un edificio de apartamentos. Si se le permite usarla, hágalo al aire libre, en la planta baja, dejando un espacio libre de tres (3) pies entre la parrilla y las paredes o las barandillas. No la use en balcones o debajo de los mismos.

Cómo usar el encendedor

- No se incline sobre la parrilla al encenderla.

1. Gire las válvulas de control de gas del quemador a \bigcirc (apagado).
2. Abra la tapa durante el encendido o al volver al encender.
3. ABRA el gas en el cilindro de gas LP.
4. Para encender, presione y gire la perilla del quemador a \blacktriangledown ALTO. Inmediatamente, presione y mantenga presionado el botón de ENCENDIDO ELECTRÓNICO hasta que el quemador encienda.
5. Si NO enciende en 5 segundos, gire la perilla de control del quemador a la posición \bigcirc apagado, espere 5 minutos y repita el procedimiento de encendido.
6. Repita los pasos 4 al 5 para encender los demás quemadores principales.



ADVERTENCIA



CIERRE los controles y la fuente de suministro de gas cuando no la use.



ADVERTENCIA

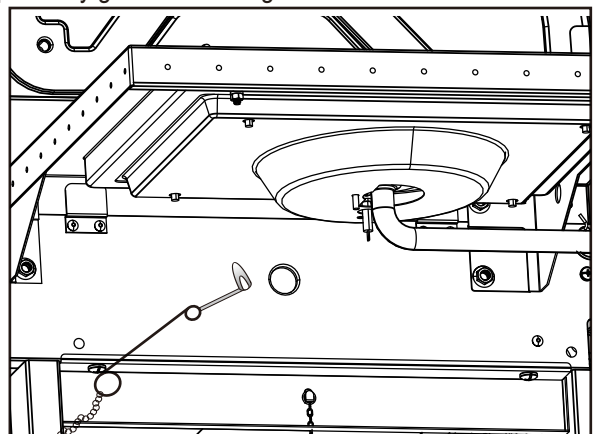


Si NO se enciende en 5 segundos, gire los controles del quemador a la posición de \bigcirc apagado, espere 5 minutos y repita el proceso de encendido. Si el quemador no se enciende con la válvula abierta, el gas continuará saliendo por el mismo y puede encenderse accidentalmente, con el riesgo de ocasionar lesiones.

Encendido con fósforos

- No se incline sobre la parrilla al encenderla.

1. Gire las válvulas de control de gas del quemador a \bigcirc (apagado).
2. Abra la tapa durante el encendido o al volver al encender.
3. ABRA el gas en el cilindro de gas LP.
4. Lugar partido en partido titular (colgando de izquierda panel lateral de la parrilla). Coinciden con la luz, entonces la luz quemador partido colocando el partido a través de la luz agujero a la izquierda de la parrilla. Inmediatamente presione y gire la perilla del quemador del extremo del izquierdo a la posición de llama \blacktriangledown ALTA. Verifique que el quemador se encienda y que permanezca encendido.
5. Encienda los quemadores en secuencia oprimiendo las perillas y girándolas a la graduación \blacktriangledown ALTA.



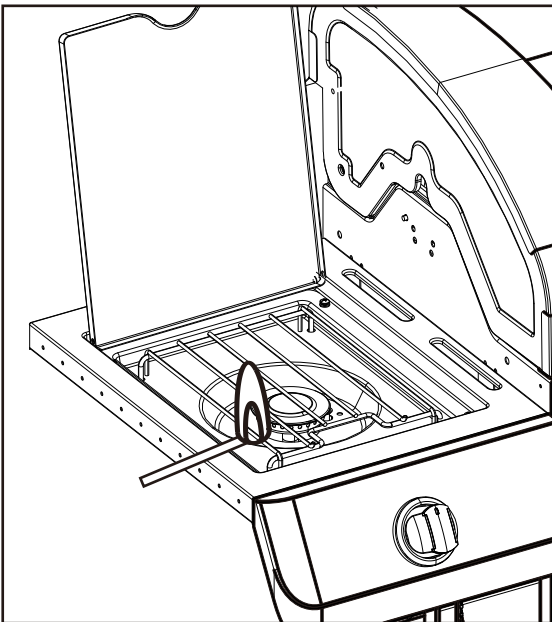
Nota: Es posible que su parrilla NO venga equipada con un quemador lateral.

Encendido con el encendedor del quemador lateral

- **No se incline sobre la parrilla al encenderla.**
- 1. Gire las válvulas de control de gas del quemador a ○ (apagado).
- 2. Abra la tapa durante el encendido o al volver al encender.
- 3. ABRA el gas en el cilindro de gas LP.
- 4. Gire la perilla del quemador lateral a la graduación de llama 🔥 ALTA, oprima y mantenga oprimido el botón del ENCENDEDOR ELECTRONICO.
- 5. Si el quemador no se enciende, gire la perilla a la posición de ○ apagado, espere 5 minutos y repita el procedimiento de encendido.

Encendido con fósforos del quemador lateral

- **No se incline sobre la parrilla al encenderla.**
- 1. Gire las válvulas de control de gas del quemador a ○ (apagado).
- 2. Abra la tapa durante el encendido o al volver al encender.
- 3. ABRA el gas en el cilindro de gas LP.
- 4. Coloque el fósforo encendido cerca del quemador. Inmediatamente y gire la perilla del quemador lateral a la posición máxima 🔥. Verifique que el quemador se encienda y que permanezca encendido.

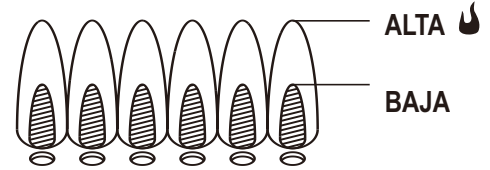


ADVERTENCIA

- **No es posible apagar los fuegos provocados por la grasa cerrando la tapa. Por razones de seguridad, las parrillas tienen aberturas de ventilación.**
- **No use agua para apagar los fuegos provocados por la grasa. Esto puede ocasionar lesiones. Si surge un fuego provocado por la grasa, cierre las perillas y el tanque de gas.**
- **No deje desatendida la parrilla en limpio cuando la esté precalentando o usando la alta temperatura para quemar los residuos de comida. Si no se ha limpiado periódicamente la parrilla, se puede presentar un fuego provocado por la grasa, que puede dañar al producto.**

Control de la llama del quemador

- Retire las parrillas de cocción y los reguladores de llama. Encienda los quemadores y gire las perillas, de la graduación ALTA a la graduación BAJA. Deberá ver una llama más reducida en la graduación BAJA que en la graduación ALTA. Haga un control de la llama en el quemador lateral. Controle siempre las llamas antes de cada uso. Si sólo se observan llamas bajas, lea lo referente a la *Caída repentina de las llamas o llamas bajas* en la sección de *Resolución de problemas*.



Cómo apagar la parrilla

- Gire todas las perillas de control a la posición de ○ apagado. Cierre el tanque de gas, girando la manilla de la válvula en el sentido de las agujas del reloj, hasta que se detenga por completo.

Control del encendedor

- **Cierre el paso de gas desde el tanque.** Oprima y mantenga oprimido el botón del encendedor electrónico. Deberá oír un chasquido y ver chispas cada vez, entre la caja de recolección o el quemador y el electrodo. En caso de no oír chasquidos ni ver chispas, lea la sección de *Resolución de problemas*.

Control de la válvula

- **Importante: Cerciórese de haber cerrado el paso de gas desde el tanque antes de revisar las válvulas.** Las perillas se traban al llegar a la posición de apagado. Para revisar las válvulas, primero presione las perillas y luego suéltelas; las perillas deben regresar a su posición original. De lo contrario, cambie la unidad de la válvula antes de usar la parrilla. Gire las perillas a la graduación BAJA y luego regréselas a la posición de apagado. Las válvulas deben girar suavemente.

Control de la manguera

- Cada vez, antes de usar la parrilla, verifique que las mangueras no tengan cortes, no estén desgastadas, ni estén retorcidas. Cambie las mangueras dañadas antes de usar la parrilla. Use sólo la válvula / la manguera / el regulador especificado por el fabricante.

Cómo guardar su parrilla

- Limpie las parrillas de cocción.
- Guárdela en un lugar seco.
- Cuando el tanque de gas esté conectado a la parrilla, guárdela al aire libre, en un lugar bien ventilado y fuera del alcance de los niños.
- Cubra la parrilla si la guarda al aire libre. El fabricante tiene a su disposición una variedad de cubiertas para parrillas en charbroil.com
- SOLO guarde la parrilla bajo techo si se ha cerrado el paso y desconectado el tanque de gas, retirándolo de la parrilla y guardándolo al aire libre.
- Siga las instrucciones sobre *Cómo limpiar la unidad del quemador* antes de encender la parrilla, cuando la misma haya estado guardada.



ADVERTENCIA



¡ALERTA CONTRA LAS ARAÑAS!

ARAÑAS Y TELARANAS DENTRO DEL QUEMADOR



Su quemador puede ser diferente

Si está experimentando dificultades para encender su parrilla, o si la llama es débil, inspeccione y limpie los quemadores y los tubos Venturi.

Se ha comprobado que las arañas y los pequeños insectos generan problemas de "fognazos" al construir sus nidos y poner huevos en los quemadores o los tubos Venturi puesto que obstruyen el flujo de gas. El gas que se acumula puede encenderse en la parte posterior del tablero de control. Estos fognazos pueden dañar su parrilla y causar lesiones. Para evitar los fognazos y garantizar un buen funcionamiento, retire y limpie la unidad de quemador y tubo Venturi si no ha usado la parrilla durante un tiempo prolongado.

Limpieza general de la parrilla

- No confunda la acumulación de grasa y de humo, de color marrón o negro, con la pintura. La parte interna de las parrillas a gas no vienen pintadas de fábrica (**y nunca se deben pintar**). Aplique una solución concentrada de detergente y de agua, o use un limpiador para parrillas con un cepillo de cerdas resistentes, cepillando la parte interna de la tapa de la parrilla y el fondo de la misma. Enjuáguelos y deje que se sequen completamente al aire. **No aplique productos de limpieza cáusticos para parrillas / productos de limpieza de hornos a las superficies pintadas.**
- **Piezas plásticas:** Lávelas con agua jabonosa tibia y séquelas con un paño.
 - No use citrisol, productos de limpieza abrasivos, desgrasadores ni productos de limpieza de parrillas concentrados para las piezas plásticas. Las mismas se pueden dañar y causar fallas.
- **Superficies porcelanizadas:** Debido a su composición vítrea, la mayoría de los residuos se puede eliminar con un paño empapado en una solución de bicarbonato de soda y agua, o con un limpiador especialmente formulado. Use un polvo limpiador no abrasivo para las manchas difíciles de eliminar.
- **Superficies pintadas:** Lávelas con un detergente suave o un limpiador no abrasivo y agua tibia jabonosa. Séquelas con un paño suave, no abrasivo.
- **Superficies de acero inoxidable:** Para conservar el aspecto de alta calidad de su parrilla, lávela con un detergente suave y con agua jabonosa tibia y frótela con un paño suave para secarla, cada vez después de usarla. Es posible que para los depósitos de grasa quemada deba usar una almohadilla de limpieza abrasiva de plástico. Para evitar que se dañe, úsela únicamente en la dirección de pulido del acabado. No use almohadillas abrasivas en las áreas donde hayan dibujos.
- **Superficies para cocinar:** Si utiliza un cepillo de cerdas para limpiar las superficies para cocinar, antes de usar la parrilla verifique que no queden cerdas sueltas sobre éstas. Se recomienda no limpiar las superficies para cocinar cuando la parrilla esté aún caliente.

Cómo limpiar la unidad del quemador

Siga estas instrucciones para limpiar o cambiar piezas de la unidad del quemador, o si tiene problemas para encender la parrilla.

1. **Cierre el paso de gas en las perillas de control y desde el tanque de gas.**
2. Retire las parrillas de cocción y los reguladores de llama.
3. Quitar los tubos de prórroga y piezas de fijación quemadores
4. Separar electrodo de lesión del plexo braquial.

NOTA: La eliminación / Destacamento método dependerá de la configuración del quemador. Véase diferentes configuraciones en las ilustraciones a continuación.

5. Levante y retire cuidadosamente cada quemador de las aberturas de la válvula.

Sugerimos tres maneras de limpiar los tubos del quemador. Siga la que le sea más fácil.

- (A) Doble un alambre rígido (un gancho de alambre para ropa sirve bien) para formar un gancho pequeño. Pase varias veces el gancho a través del tubo de cada quemador.



- (B) Use un cepillo delgado de botella, de mango flexible (no use un cepillo de alambre de latón), páselo varias veces a través del tubo de cada quemador.

- (C) **Use protectores para la vista:** Con una manguera neumática, fuerce el paso del aire a través del tubo y de los puertos del quemador. Examine cada puerto para verificar que el aire salga a través de cada orificio.

6. Cepille con un cepillo de alambre toda la superficie exterior del quemador para eliminar los residuos de comida y la suciedad.

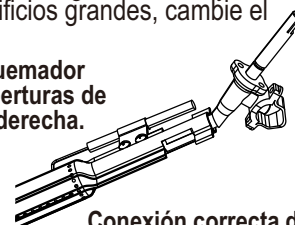
7. Limpie todo puerto que esté atascado con un alambre rígido, tal como un sujetapapeles.

8. Examine el quemador para detectar daños; algunos orificios pueden alargarse debido al desgaste normal y a la corrosión. Si observa grietas u orificios grandes, cambie el quemador.

MUY IMPORTANTE: Los tubos del quemador se deben volver a conectar en las aberturas de la válvula. Vea las ilustraciones a la derecha.

9. Fije el electrodo en el quemador.

10. Vuelva a colocar cuidadosamente los quemadores.

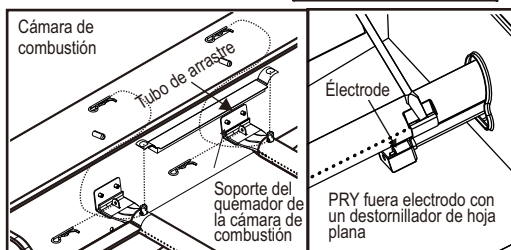
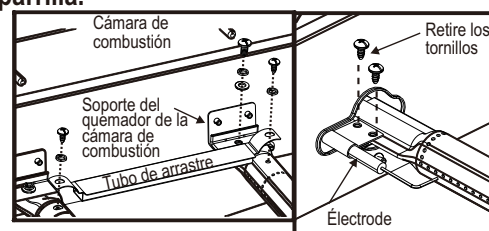


Conexión correcta del quemador y la válvula

11. Fije los quemadores a los soportes de la cámara de combustión.

12. Vuelva a colocar los tubos de arrastre y fije los quemadores. Cambie los reguladores de llama y las parrillas de cocción.

13. Efectúe un control de la llama del quemador y una prueba para detectar fugas, antes de volver a cocinar en la parrilla.



GARANTÍA LIMITADA

Esta garantía es válida únicamente para las unidades adquiridas de los distribuidores autorizados. El fabricante le garantiza únicamente **al consumidor-comprador original**, que este producto no presentará defectos de mano de obra ni de materiales por el período indicado a continuación, contado desde la fecha de compra*, si se arma correctamente y se usa en el hogar, en condiciones normales y razonables. El fabricante se reserva el derecho de exigir la devolución de las piezas defectuosas, enviadas con el porte o el flete pagado por el consumidor, para ser revisadas y examinadas.

ALCANCE DE LA COBERTURA	PLAZO DE COBERTURA	TIPO DE FALLA AMPARADA
Quemador de acero inoxidable	10 Año de fecha de compra *	SOLO DEFECTOS DE PERFORACIÓN, DE FABRICACIÓN Y DE MATERIALES
Caja de fuego, tapa, parrilla de cocción y emisor infrarrojo	3 Año de fecha de compra *	
Todas las demás partes	1 Año de fecha de compra *	

*Nota: A fecha de recibo de compra serán necesarios para el servicio de garantía.

Son de responsabilidad del consumidor-comprador original todos los gastos de envío de las piezas cambiadas en virtud de las condiciones de esta garantía limitada.

Esta garantía limitada es válida únicamente en Estados Unidos y en Canadá, se ofrece únicamente al propietario original del producto y es intransferible. **El fabricante exige la presentación de evidencia de la fecha de la compra. Por tanto, debe conservar el recibo o la factura de la compra.** La inscripción del producto no reemplaza al comprobante de compra, y el fabricante no se hace responsable ni está obligado a llevar un registro de dichos comprobantes.

Esta garantía limitada atañe ÚNICAMENTE al funcionamiento del producto y no ampara rayones, abolladuras, corrosión ni decoloración ocasionada por el calor, los productos de limpieza abrasivos y químicos, ni por las herramientas usadas en el armado o en la instalación del aparato, oxidación de las superficies ni decoloración de las superficies de acero inoxidable. La pintura no esta garantizada y requiera retoques. **RUST no se considera una de fabricación o materiales defecto.**

Esta garantía limitada no ampara el costo en el que se incurra por inconvenientes, alimentos, lesiones ni daños a la propiedad.

EL FABRICANTE NO PAGARÁ LOS SIGUIENTES RUBROS:

1. El costo de envío normal o acelerado de piezas y repuestos amparados por la garantía
2. Las llamadas de servicio técnico a domicilio.
3. Reparaciones de productos que hayan sido usados para fines distintos a los normales, en casas de más de una familia o no domésticos.
4. Daños, fallas, o dificultades para hacerlo funcionar, ocasionadas por accidentes, modificaciones, manipulación descuidada, uso indebido, abuso, incendio, inundación, casos fortuitos, instalación o mantenimiento inadecuados o que no se realicen de conformidad con las disposiciones de los códigos de instalaciones eléctricas o sanitarias, o uso de productos no autorizados por el fabricante.
5. Pérdida de alimentos debidos a fallas del producto o a la dificultad para hacerlo funcionar.
6. El costo de las piezas de repuesto ni de la mano de obra para la reparación de unidades instaladas fuera de Estados Unidos o de Canadá.
7. La recogida y el envío de su producto.
8. Las reparaciones de piezas o de sistemas que hayan sufrido daños por alteraciones no autorizadas hechas en el producto.
9. La remoción y/o la reinstalación de su producto.

ESTIPULACIONES DE EXONERACIÓN DE GARANTÍAS IMPLÍCITAS; LIMITACIÓN DE LOS RECURSOS

El único recurso del que usted dispone en virtud de esta garantía limitada es la reparación o el cambio de las piezas defectuosas. En cas de problèmes de disponibilité des pièces, le constructeur se réserve le droit de remplacer des pièces similaires qui sont également fonctionnels. El fabricante no será responsable por ningún tipo de daño accesorio o indirecto ocasionado por el incumplimiento de lo estipulado ya sea en esta garantía limitada o en alguna garantía implícita pertinente, ni por las fallas o los daños ocasionados por actos fortuitos, cuidado y mantenimiento inadecuados, fuego provocado por la grasa, accidentes, modificaciones, cambio de piezas por cualquier persona que no sea el fabricante, uso indebido, transporte, uso con fines comerciales, abuso, ambientes hostiles (condiciones inclementes del tiempo, fenómenos naturales, acción de los animales), instalación inadecuada o instalación que no se realice de conformidad con las disposiciones de los códigos locales o las instrucciones impresas del fabricante.

ESTA GARANTÍA LIMITADA ES LA ÚNICA GARANTÍA EXPLÍCITA OFRECIDA POR EL FABRICANTE. EL FABRICANTE NO GARANTIZA NINGUNA ESPECIFICACIÓN O DESCRIPCIÓN DE RENDIMIENTO DEL PRODUCTO, INDEPENDIENTEMENTE DEL LUGAR DONDE APAREZCAN, SALVO EN LA MEDIDA SEÑALADA EN ESTA GARANTÍA LIMITADA. POR EL PRESENTE, EL PLAZO DE VIGENCIA DE LA PROTECCIÓN QUE OTORGAN LAS GARANTÍAS IMPLÍCITAS, EN VIRTUD DE LAS LEYES DE CUALQUIER ESTADO, INCLUYENDO LA GARANTÍA IMPLÍCITA ACERCA DE LA IDONEIDAD DEL PRODUCTO PARA SU COMERCIALIZACIÓN O PARA ALGÚN PROPÓSITO DETERMINADO, QUEDA LIMITADO AL PLAZO DE VIGENCIA DE ESTA GARANTÍA LIMITADA.

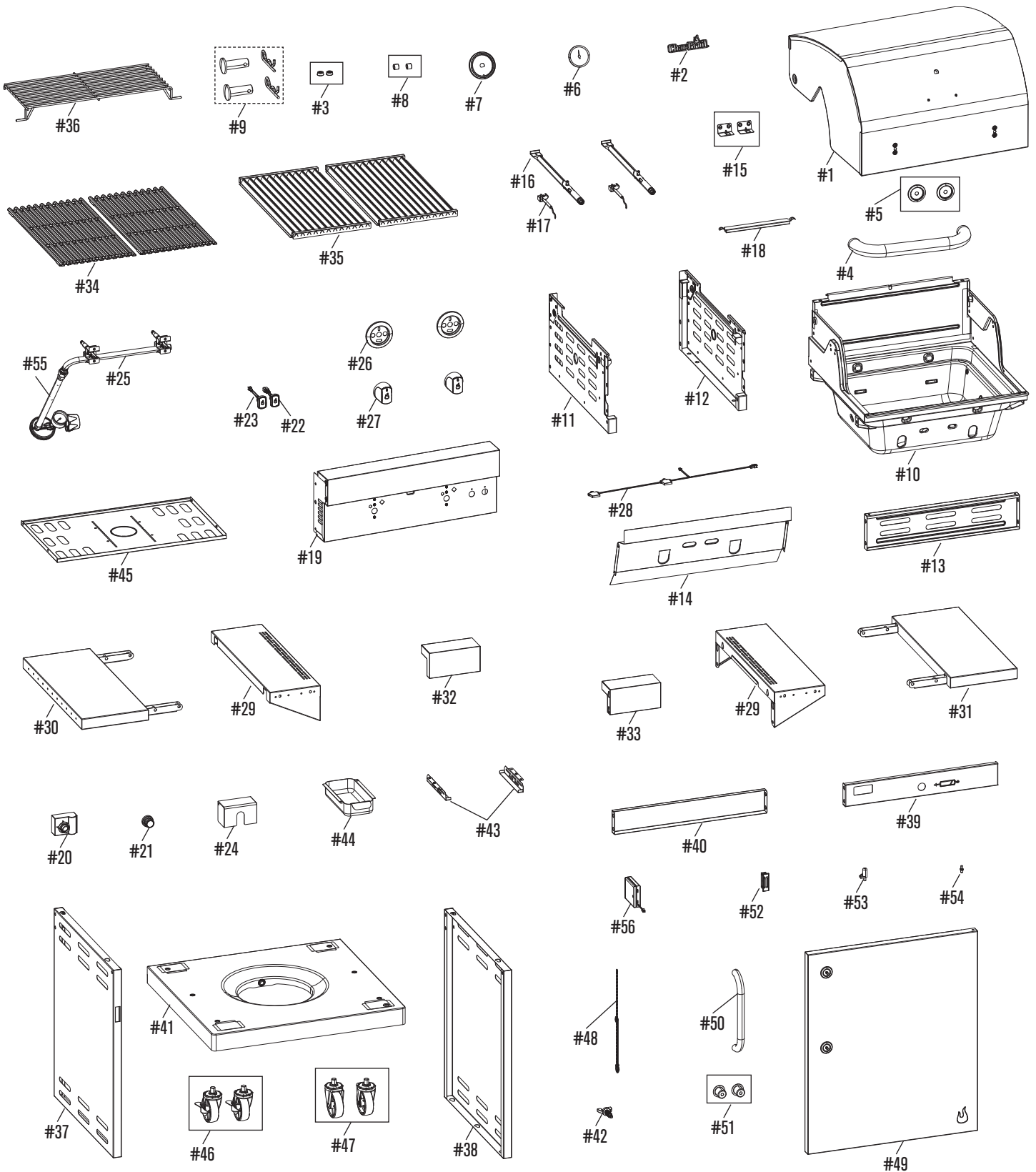
Ni los distribuidores, ni el negocio minorista que vende este producto, están autorizados para ofrecer ninguna garantía ni para prometer recursos adicionales o incongruentes con los arriba indicados. En todo caso, el límite máximo de responsabilidad del fabricante no será mayor que el precio de compra pagado por el consumidor original.

NOTA: Algunos estados no permiten la exclusión ni la limitación de daños accesorios o indirectos, de manera que es posible que las limitaciones o exclusiones arriba señaladas no correspondan en su caso. Esta garantía le otorga derechos específicos, señalados aquí. Es posible que usted tenga otros derechos que pueden variar de un estado a otro. Sólo en el estado de California, en el caso en que no sea comercialmente viable reparar o cambiar el acabado del producto, el minorista que vende este producto o el fabricante le reembolsarán el precio de compra pagado por el mismo, menos la cantidad directamente atribuible al uso dado por el consumidor-comprador original, antes de haber descubierto la falla. Además, y únicamente en el estado de California, usted podrá llevar el producto al negocio minorista que venda este producto para solicitar servicios en virtud de esta garantía limitada.

Si desea obtener algún servicio en virtud de esta garantía limitada, debe dirigir su correspondencia a:
Consumer Relations
P. O. Box 1240
Columbus, GA 31902-1240

No se aceptarán las devoluciones por parte del consumidor a menos que haya obtenido primero una autorización válida de devolución. Debe rotular de manera legible la parte exterior del paquete de devolución autorizada con su número de autorización de devolución y remitir dicho paquete con el flete o el porte pagado. Se rechazará toda devolución del consumidor que no cumpla con las reglas anteriores.

PARTS DIAGRAM / SCHÉMA DES PIÈCES / VISTA ESQUEMÁTICA DE PIEZAS



PARTS LIST

Key	Qty	Description
1	1	TOP LID
2	1	LOGO PLATE F/ LID
3	2	RUBBER BUMPER, W/ HOLE, F/ TOP LID
4	1	HANDLE F/ LID
5	2	END CAP, F/ LID HANDLE
6	1	THERMOMETER
7	1	BEZEL, F/ THERMOMETER
8	2	LID STOP
9	1	TOP LID HARDWARE
10	1	FIREBOX
11	1	LEFT, FIREBOX PANEL
12	1	RIGHT, FIREBOX PANEL
13	1	REAR FIREBOX PANEL
14	1	HEAT SHIELD, FIREBOX
15	2	BURNER BRACE
16	2	MAIN BURNER
17	2	ELECTRODE, F/ MAIN BURNER
18	1	CARRY OVER TUBE
19	1	CONTROL PANEL, MAIN
20	1	ELECTRONIC IGNITION MODULE
21	1	CAP, F/ IGNITION MODULE
22	1	IGNITER SWITCH MODULE
23	1	LIGHT SWITCH F/ BEZEL
24	1	SHIELD, F/ ELECTRONIC IGNITION MODULE
25	1	HOSE VALVE REGULATOR ASSEMBLY
26	2	BEZEL F/ CONTROL KNOB
27	2	CONTROL KNOB
28	1	LED WIRE ASSY
29	2	SIDE SHELF, FIXED
30	1	LEFT SIDE SHELF, FOLDING
31	1	RIGHT SIDE SHELF, FOLDING
32	1	FASCIA, F/ LEFT SIDE SHELF
33	1	FASCIA, F/ RIGHT SIDE SHELF

Key	Qty	Description
34	2	COOKING GRATE
35	2	COOKING GRATE, INFRARED EMITTER
36	1	WARMING RACK
37	1	LEFT, CART FRAME
38	1	RIGHT, CART FRAME
39	1	FRONT DOOR BRACE
40	1	BACK RAIL
41	1	BOTTOM SHELF
42	1	TANK SCREW, F/ BOTTOM SHELF
43	2	RAIL, F/ GREASE TRAY
44	1	GREASE TRAY
45	1	HEAT SHIELD, F/ TANK
46	2	CASTER, LOCKING
47	2	CASTER, FIXED
48	1	MATCH HOLDER
49	1	DOOR, NO HANDLE
50	1	DOOR HANDLE
51	2	BUSHING, F/ DOOR HANDLE
52	1	MAGNET ASSEMBLY
53	1	SPRING PIN, F/ DOOR
54	1	FIXED PIN, F/ DOOR
55	1	HOSE/ REGULATOR REPLACEMENT ONLY
56	1	BATTERY BOX

NOT Pictured

...	1	PRODUCT GUIDE, ENGLISH, FRENCH, SPANISH
...	1	HARDWARE PACK
...	1	CLEANING TOOL
...	1	CASTER PIN

NOTE: Some grill parts shown in the assembly steps may differ slightly in appearance from those on your particular grill model. However, the method of assembly remains the same.

LISTE DES PIÈCES

Réf.	Qté	Description
1	1	COUVERCLE SUPÉRIEUR
2	1	PLAQUE LOGO
3	2	BUTÉE EN CAOUTCHOUC, AVEC TROU, POUR COUVERCLE SUPÉRIEUR
4	1	POIGNÉE POUR COUVERCLE SUPÉRIEUR
5	2	CASQUETTE, POIGNÉE POUR COUVERCLE SUPÉRIEUR
6	1	JAUGE DE TEMPÉRATURE
7	1	COLLERETTE D'ENCASTREMENT, JAUGE DE TEMPÉRATURE
8	2	ARRÊT DE COUVERCLE
9	1	FERRURES POUR COUVERCLE SUPÉRIEUR
10	1	FOYER
11	1	PANNEAU LATÉRAL GAUCHE, FOYER
12	1	PANNEAU LATÉRAL DROIT, FOYER
13	1	PANNEAU ARRIÈRE, FOYER
14	1	ÉCRAN THERMIQUE, FOYER
15	2	SUPPORT DU BRÛLEUR
16	2	BRÛLEUR PRINCIPAL
17	2	ÉLECTRODE, BRÛLEUR PRINCIPAL
18	1	TUBE DE TRANSFERT
19	1	PANNEAU DE CONTRÔLE PRINCIPAL
20	1	MODULE D'ALLUMAGE ÉLECTRONIQUE
21	1	CAPUCHON DU FIL DU MODULE D'ALLUMAGE ÉLECTRONIQUE
22	1	MODULE INTERRUPTEUR POUR L'ALLUMAGE
23	1	COMMUTATEUR DE LUMIÈRE POUR LUNETTE
24	1	ÉCRAN THERMIQUE POUR MODULE D'ALLUMAGE ÉLECTRONIQUE
25	1	RÉGULATEUR ASSY DE LA VALVE DU TUYAU
26	2	LUNETTE POUR BOUTON DE CONTRÔLE
27	2	BOUTON DE CONTRÔLE
28	1	ASSEMBLAGE DE FIL LED
29	2	TABLETTE LATÉRALE FIXE
30	1	TABLETTE LATÉRALE GAUCHE, PLIANTE
31	1	TABLETTE LATÉRALE DROITE, PLIANTE
32	1	BORDURE POUR TABLETTE LATÉRALE GAUCHE
33	1	BORDURE POUR TABLETTE LATÉRALE DROITE

Réf.	Qté	Description
34	2	GRILLE DE CUISSON
35	2	GRILLE DE CUISSON, ÉMETTEUR INFRAROUGE
36	1	GRILLE CHAUFFANTE
37	1	PANNEAU LATÉRAL GAUCHE DU COMPARTIMENT
38	1	PANNEAU LATÉRAL DROIT DU COMPARTIMENT
39	1	RENFORT AVANT, PORTE
40	1	RAIL ARRIÈRE
41	1	ÉTAGÈRE INFÉRIEURE
42	1	VIS RÉSERVOIR
43	2	RAIL, POUR PLATEAU À GRAISSE
44	1	PLATEAU À GRAISSE
45	1	ÉCRAN THERMIQUE POUR LE RÉSERVOIR
46	2	ROULETTE, VERROUILLAGE
47	2	ROULETTE, FIXÉE
48	1	PORTE ALLUMETTES
49	1	PORTE, SANS POIGNÉE
50	1	POIGNÉE DE PORTE
51	2	PORTE BAGUE, POIGNEE
52	1	AIMANT DE PORTE
53	1	TIGE DE PORTE, PRINTEMPS
54	1	TIGE DE PORTE, FIXE
55	1	TUYAU/ RÉGULATEUR, REMPLACEMENT SEULEMENT
56	1	BOÎTE DE BATTERIE

No se ilustra

...	1	MANUEL D'ASSEMBLAGE, ANGLAIS, FRANÇAIS, ESPAGNOL
...	1	SAC DE FERRURES
...	1	NETTOYAGE DE L'INSTRUMENT
...	1	DISPOSITIF DE BLOCAGE POUR ROULETTES

REMARQUE : certaines pièces montrées dans les étapes d'assemblage peuvent être légèrement différentes de celles destinées à votre modèle de gril. La méthode d'assemblage reste cependant la même.



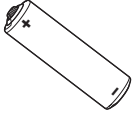
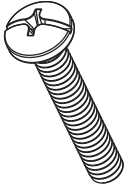







LISTA DE PARTES

Clave	Cant.	Descripción
1	1	TAPA SUPERIOR
2	1	PLACA DE LOGOTIPO PARA TAPA
3	2	TOPE DE LA TAPA, C. ORIFICIO
4	1	ASA DE TAPA SUPERIOR
5	2	TAPA DEL EXTREMO, ASA DE TAPA SUPERIOR
6	1	MEDIDOR DE TEMPERATURA
7	1	MARCO PARA EL MEDIDOR DE TEMPERATURA
8	2	PARADA DE LID
9	1	HERRAJES, TAPA SUPERIOR
10	1	CÁMARA DE COMBUSTIÓN
11	1	PANEL DE LA CÁMARA DE COMBUSTIÓN, LADO IZQUIERDO
12	1	PANEL DE LA CÁMARA DE COMBUSTIÓN, LADO DERECHO
13	1	PANEL DE LA CÁMARA DE COMBUSTIÓN, LADO TRASERO
14	1	PROTECTOR CONTRA EL CALOR, CÁMARA DE COMBUSTIÓN
15	2	ESTRIBO PARA QUEMADOR
16	2	QUEMADOR PRINCIPAL
17	2	ELECTRODO, QUEMADOR PRINCIPAL
18	1	TUBO DE ARRASTRE
19	1	TABLERO DE CONTROL PRINCIPAL
20	1	MÓDULO DE ENCENDIDO ELECTRÓNICO
21	1	TAPA, MÓDULO DE ENCENDIDO ELECTRÓNICO
22	1	MÓDULO DE INTERRUPTOR DE ENCENDIDO
23	1	INTERRUPTOR DE LUZ PARA MARCO
24	1	PROTECTOR DE CALOR DE ENCENDIDO ELECTRÓNICO
25	1	UNIDAD DE VÁLVULA/MANGUERA/REGULADOR
26	2	MARCO, PERILLA DE CONTROL
27	2	PERILLA DE CONTROL
28	1	MONTAJE DE CABLES LED
29	2	REPISA, SIN SEGURO
30	1	REPISA DEL LADO IZQUIERDO PLEGABLE
31	1	REPISA DEL LADO DERECHO PLEGABLE
32	1	MÁSCARA, REPISA DEL LADO IZQUIERDO
33	1	MÁSCARA, REPISA DEL LADO DERECHO

Clave	Cant.	Descripción
34	2	PARRILLA DE COCCIÓN
35	2	PARRILLA PARA COCINAR, EMISOR INFRARROJO
36	1	REJILLA PARA CALENTAR ALIMENTOS
37	1	PANEL LATERAL IZQUIERDO DEL CARRITO
38	1	PANEL LATERAL DERECHO DEL CARRITO
39	1	REFUERZO DELANTERA DE LA PUERTA
40	1	RIEL POSTERIOR
41	1	REPISA INFERIOR
42	1	TORNILLO PARA EL TANQUE, REPISA INFERIOR
43	2	CARRIL, BANDEJA PARA LA GRASA
44	1	BANDEJA PARA LA GRASA
45	1	PROTECTOR CONTRA EL CALOR, TANQUE
46	2	RUEDITA CON SEGURO
47	2	RUEDITA, SIN SEGURO
48	1	PORTAFÓSFOROS
49	1	PUERTA, SIN ASA
50	1	ASA DE PUERTA
51	2	MANGUITO PUERTA, ASA
52	1	UNIDAD DE IMÁN
53	1	PASADOR DE RESORTE, PARA PUERTA
54	1	PASADOR FIJO, PARA PUERTA
55	1	MANGUERA/ REGULADOR PARA REPUESTO SOLAMENTE
56	1	CAJA DE BATERÍAS
No se ilustran		
...	1	MANUAL DE ARMADO, INGLÉS, FRANCÉS, CASTELLANO
...	1	PAQUETE DE HERRAJES
...	1	HERRAMIENTA DE LIMPIEZA PARA EL EMISOR IR
...	1	CLAVIJA PARA LA RUEDA

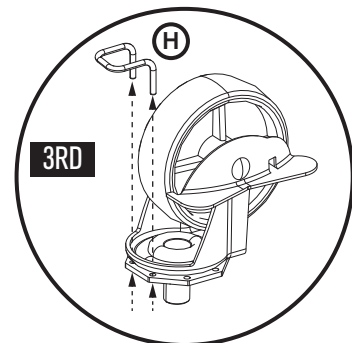
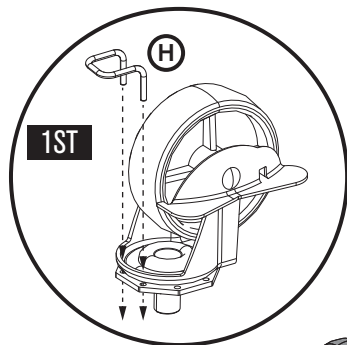
NOTA: Algunas de las piezas de la parrilla, ilustradas en los pasos de armado, pueden ser ligeramen te diferentes a las de su modelo de parrilla. Sin embargo, el método de armado es el mismo.

HARDWARE LIST / LISTA DE HERRAJES / LISTE DES FERRURES

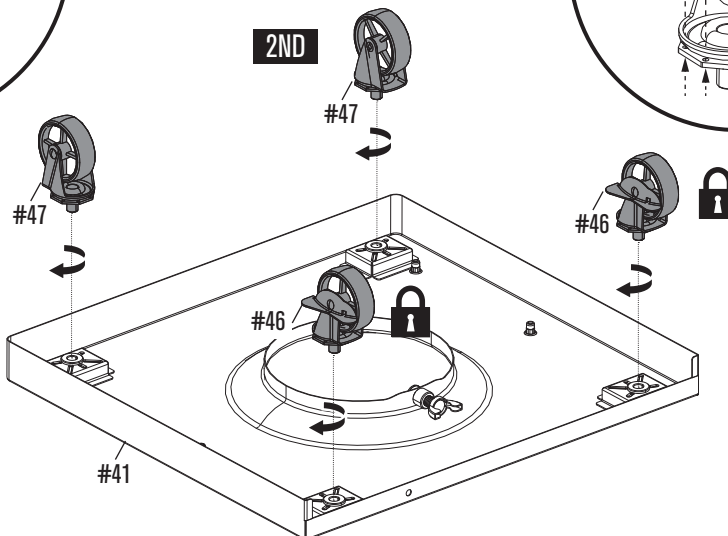
Key/ Réf./ Clave	Description/ Description/ Descripción	Picture/ Illustré/ Ilustra	Qty/ Qté/ Cant
A	1/4-20 x 3/8" Screw Vis 1/4-20 x 3/8 po Tornillo de 1/4 -20 x 3/8"		22
B	#8-32x3/8" Screw Vis n° 8-32 x 3/8 po Tornillo de No. 8-32 x 3/8"		2
C	Battery AA Pile AA Batería AA		5
D	1/4-20 x 1 1/2" Screw Vis 1/4-20 x 1 1/2 po Tornillo de 1/4 -20 x 1 1/2"		8
E	1/4-20 Nut Écrou de 1/4 Tuerca de 1/4 -20		4
F	#10-24x3/8" Screw Vis n° 10-24 x 3/8 po Tornillo de No. 10-24 x 3/8"		6
G	#10-24x3/4" Screw Vis n° 10-24 x 3/4 po Tornillo de No. 10-24 x 3/4"		2
H	Caster pin Dispositif de blocage pour roulettes Clavija para la rueda		1
J	Door Bushing Porte bague Manguito puerta		2
K	Shoulder Screw Vis à épaulement Tornillo con pivote		4
L	Cleaning tool Nettoyage de l'instrument Herramienta de limpieza para el emisor IR		1

ASSEMBLY / ASSEMBLAGE / ASAMBLEA

1



2ND

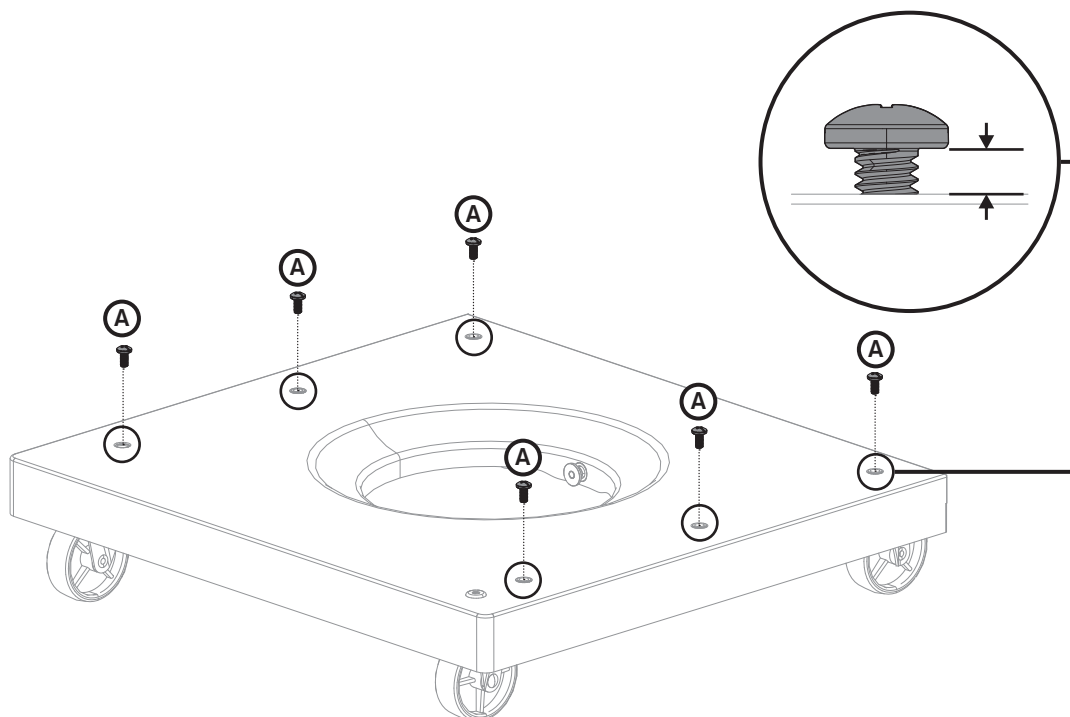


After all 4 casters are secure remove the Caster Pin (H) and save for future maintenance.

Après avoir fixé les quatre roulettes, enlevez le dispositif de blocage pour roulette (H) et conservez-la pour toute réparation future.

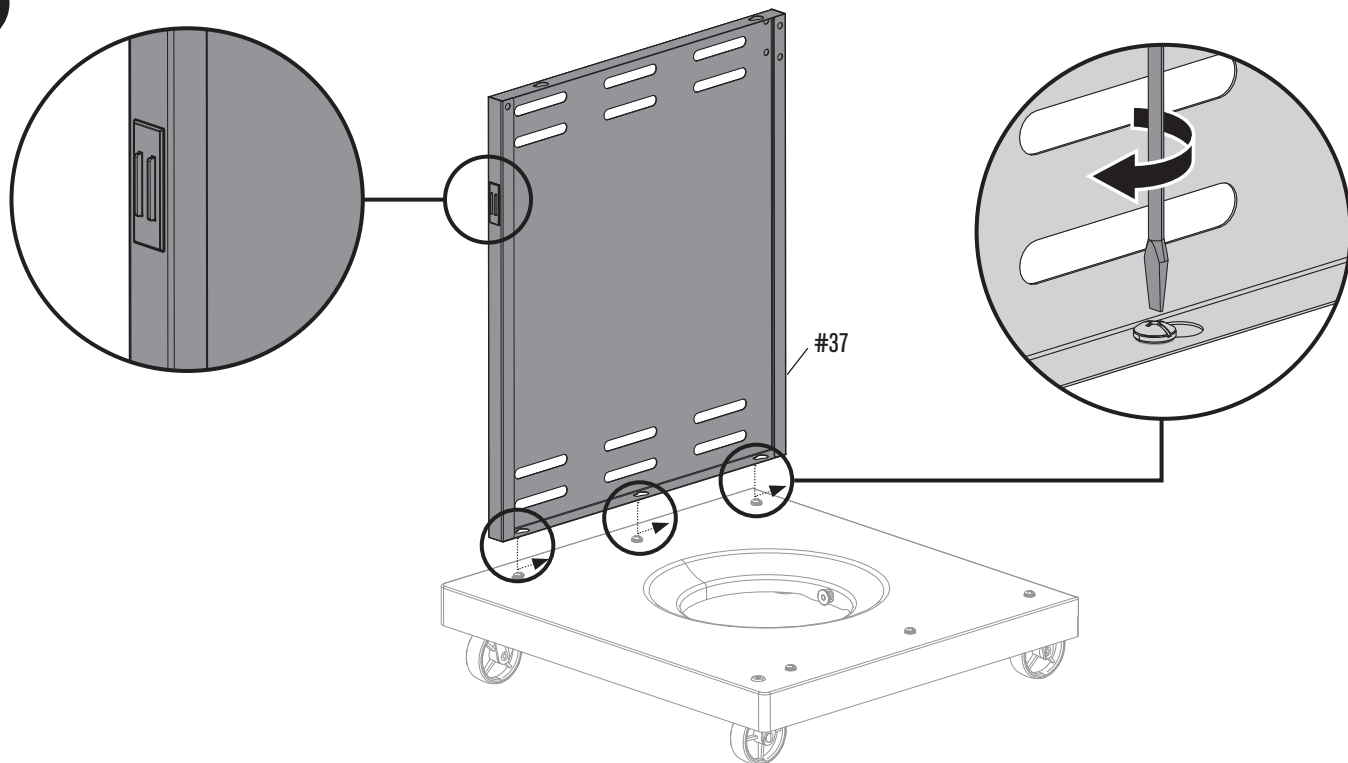
Una vez debidamente instaladas las cuatro ruedas, retire la clavija para la rueda (H) y guárdela para emplearla en el futuro, cuando deba dar servicio de mantenimiento al aparato.

2

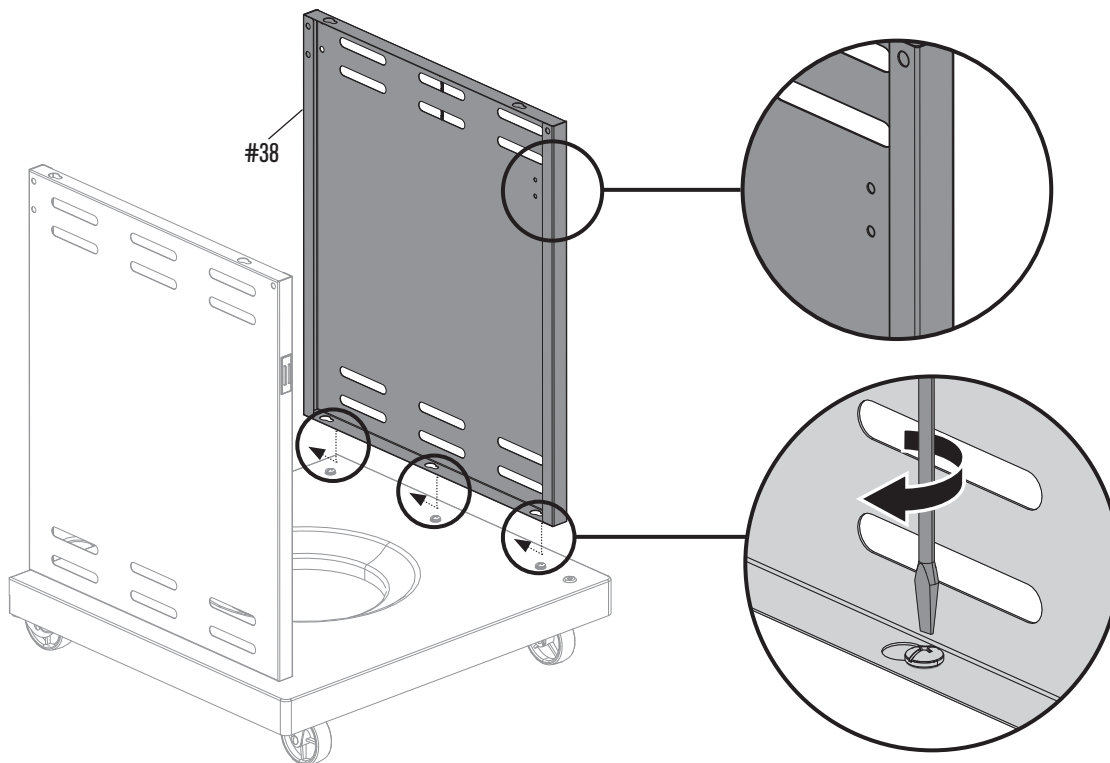


ASSEMBLY / ASSEMBLAGE / ASAMBLEA

3

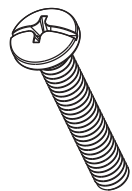


4

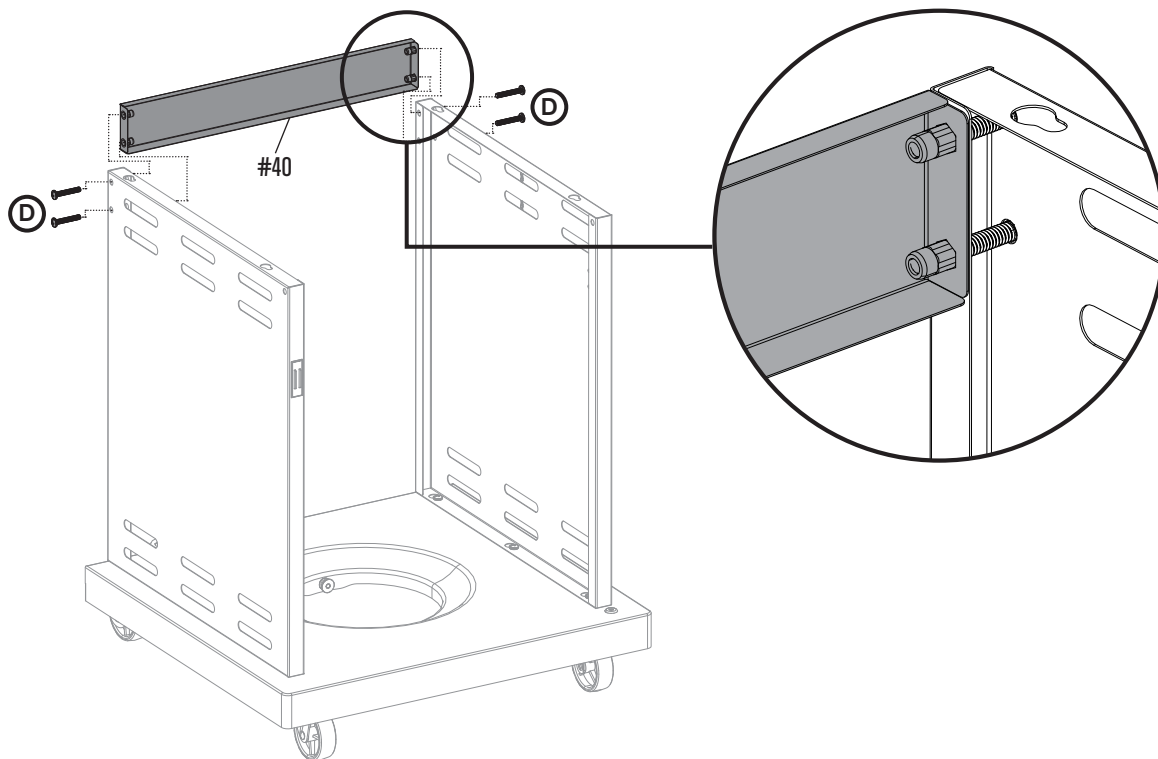


ASSEMBLY / ASSEMBLAGE / ASAMBLEA

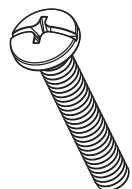
5



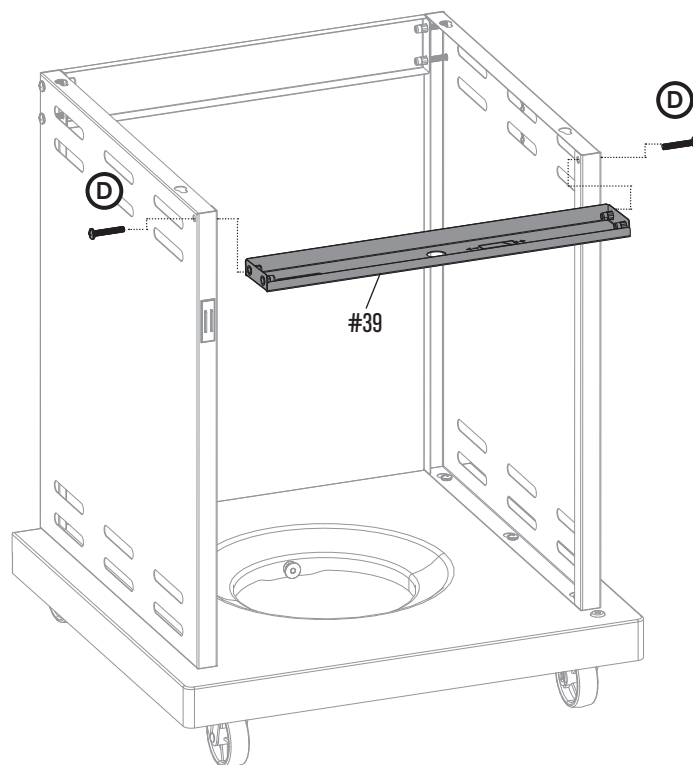
Dx4



6



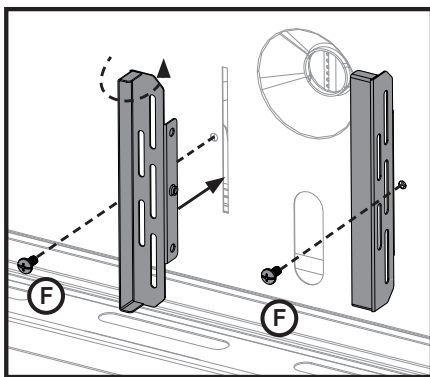
Dx2



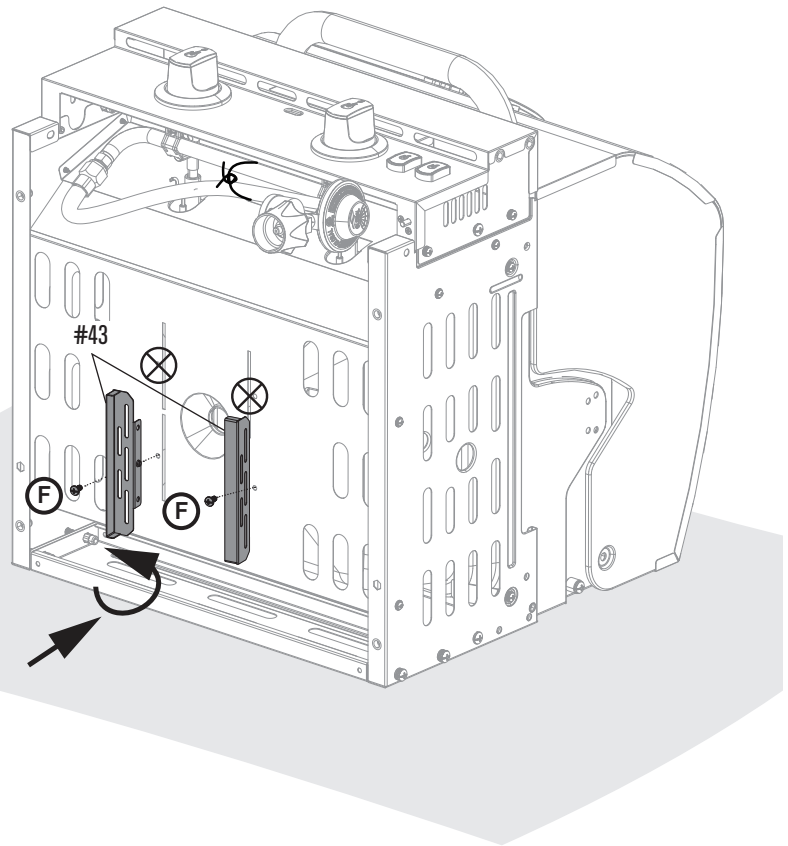
Do Not tighten the screws
Ne pas serrez les vis
No apriete los tornillos

ASSEMBLY / ASSEMBLAGE / ASAMBLEA

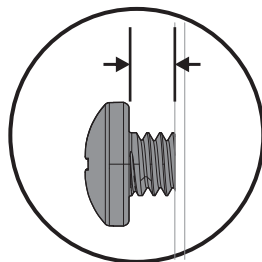
7



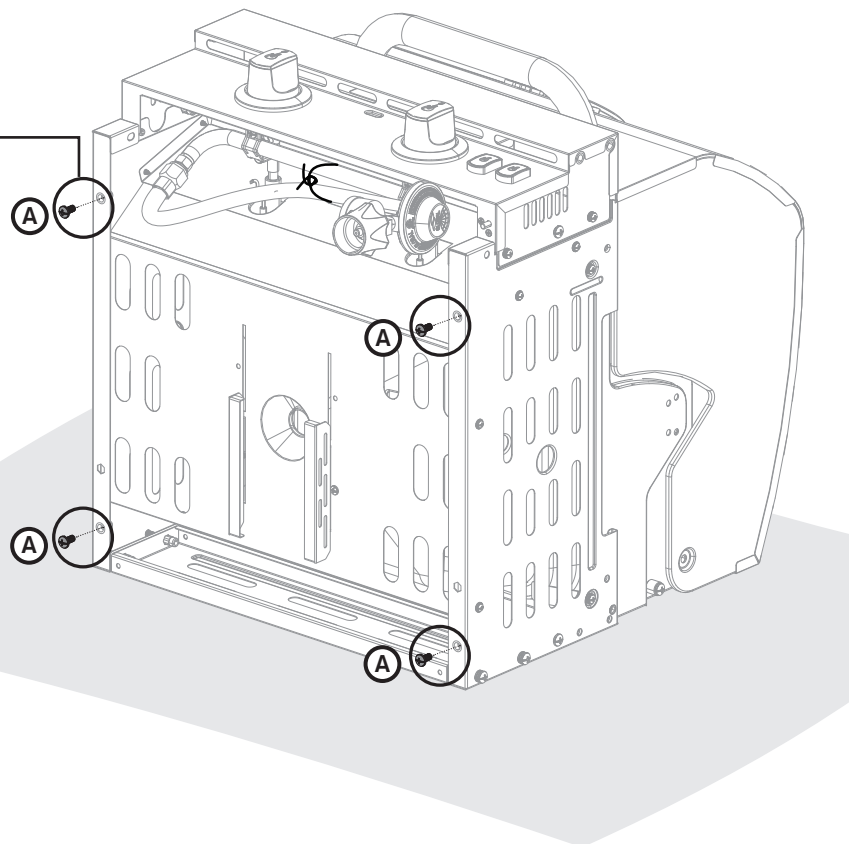
Cardboard
Carton
Cartón



8



Cardboard
Carton
Cartón

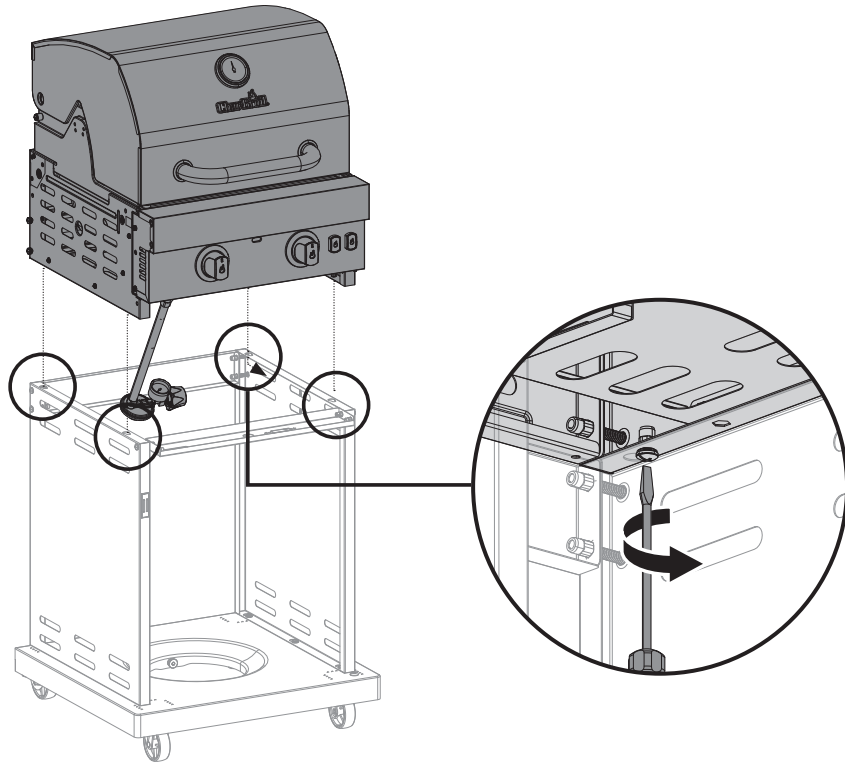
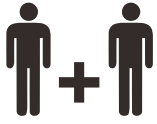


Note: Remove tie wrap(s) securing hose/ regulator to gas manifold tube.
Remarque : Enlevez les attaches qui retiennent tuyau/ régulateur au conduit de gaz.
Nota: Retire la(s) correa(s) de amarre asegurando los manguera/ regulador al tubo del colector de gas.

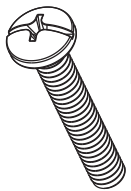
Char-Broil

ASSEMBLY / ASSEMBLAGE / ASAMBLEA

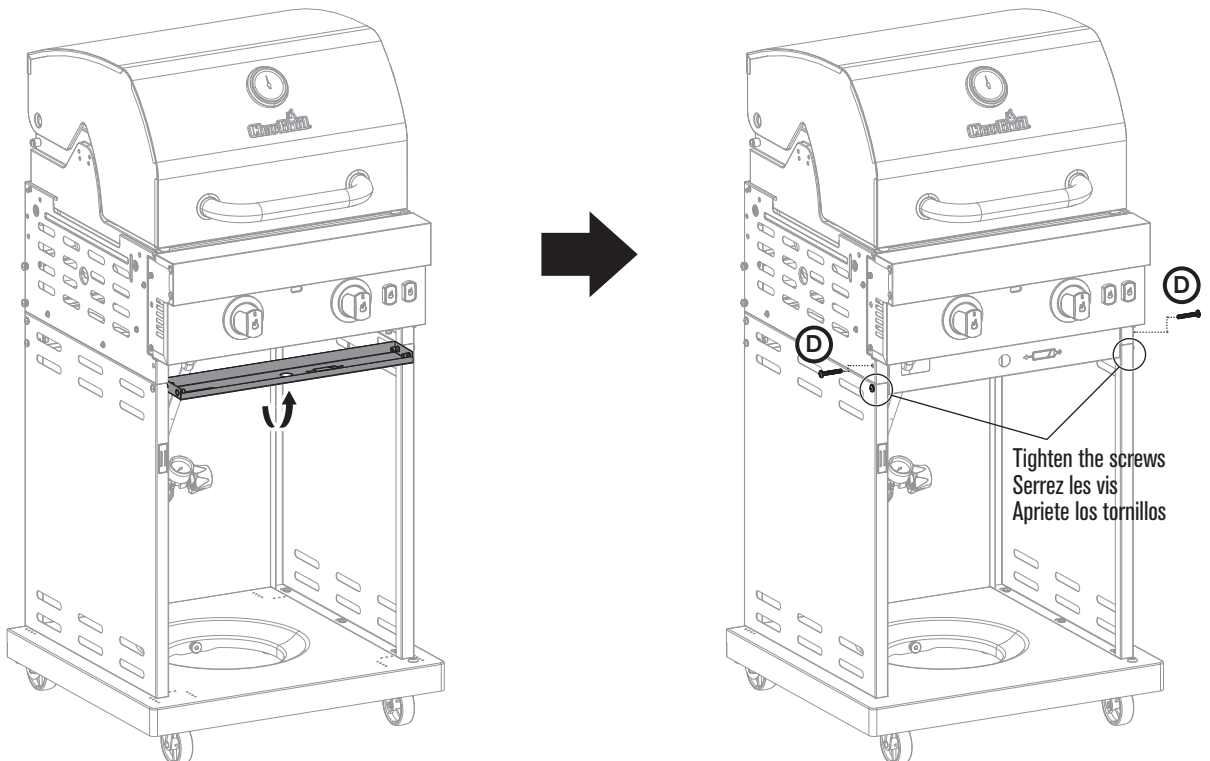
9



10

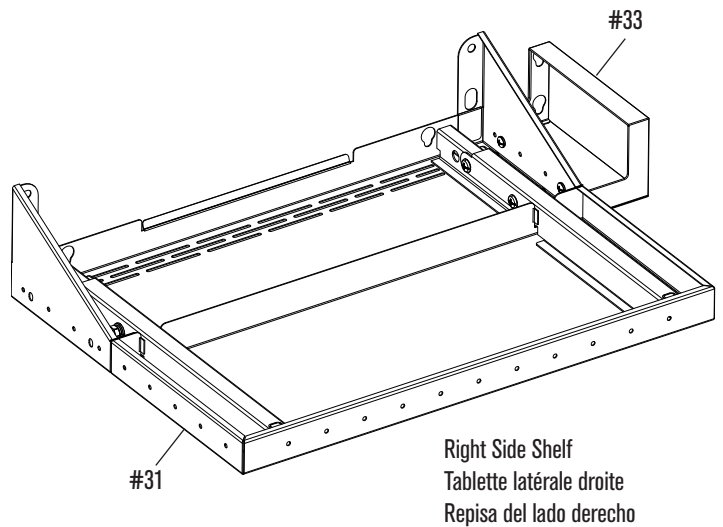
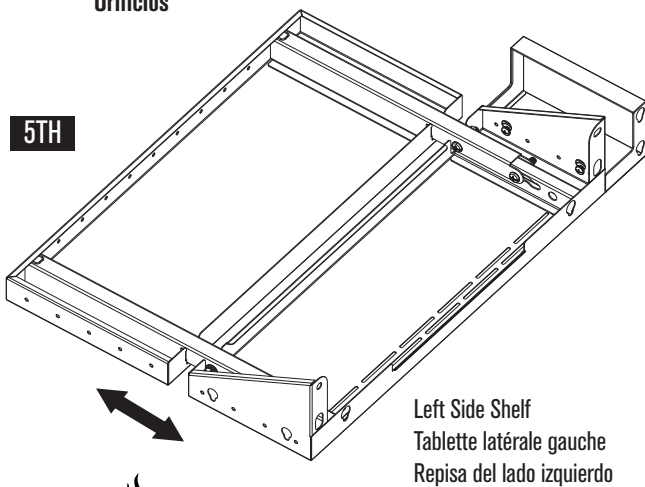
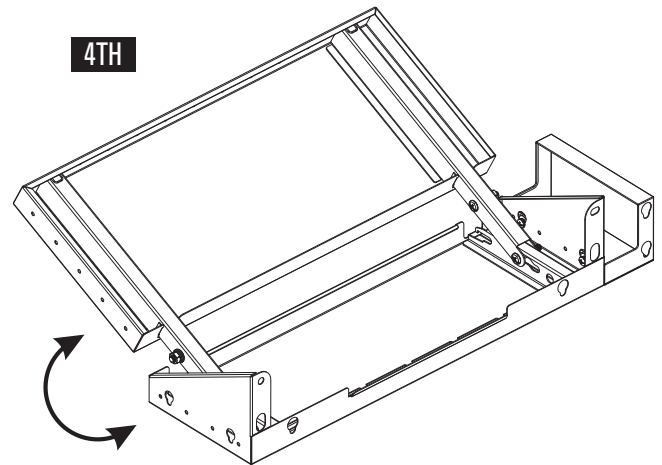
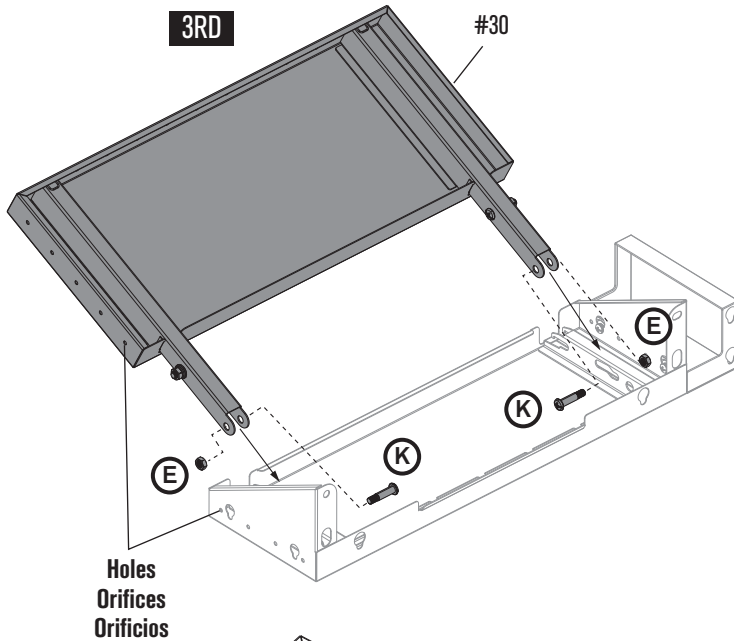
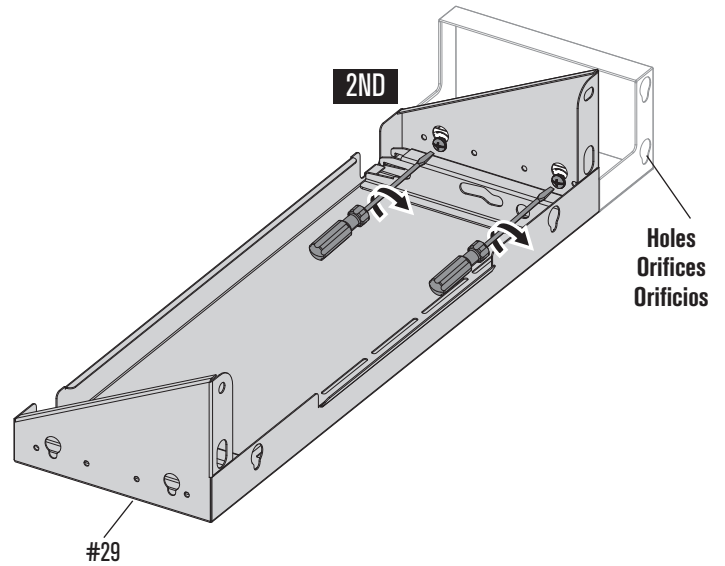
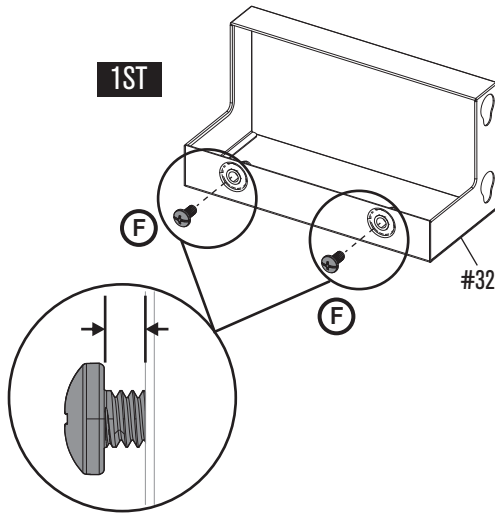


Dx2



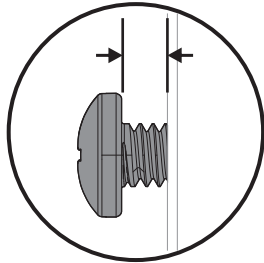
ASSEMBLY / ASSEMBLAGE / ASAMBLEA

11 x2

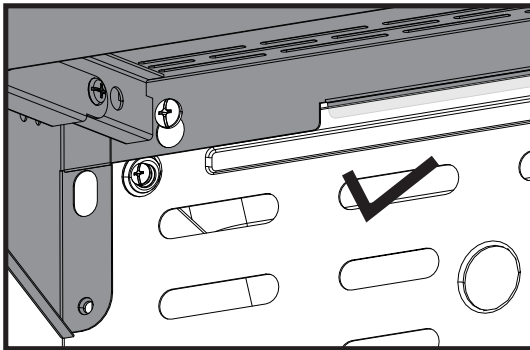
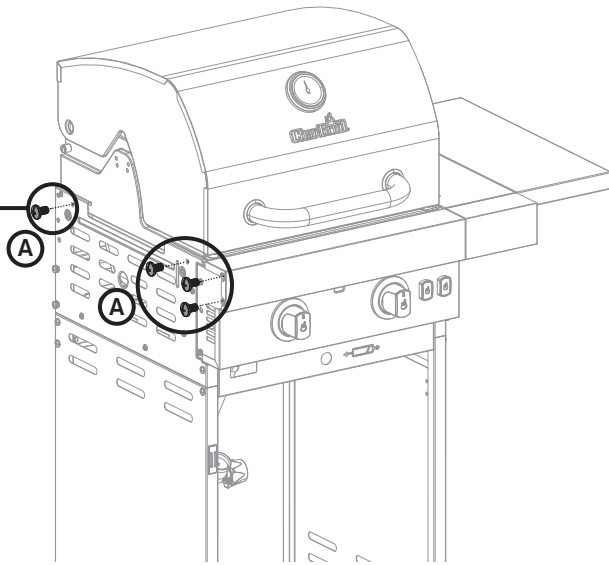


ASSEMBLY / ASSEMBLAGE / ASAMBLEA

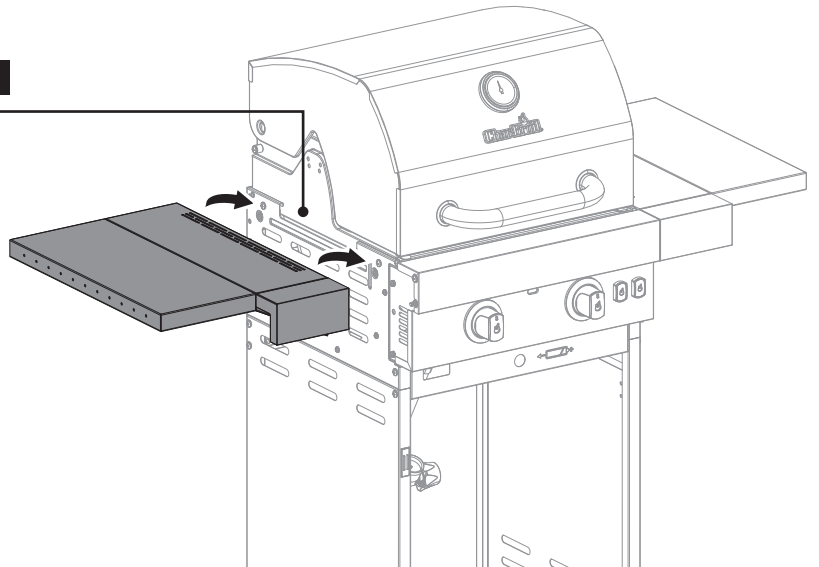
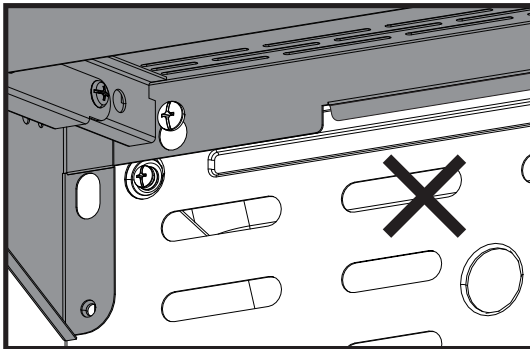
12 x2



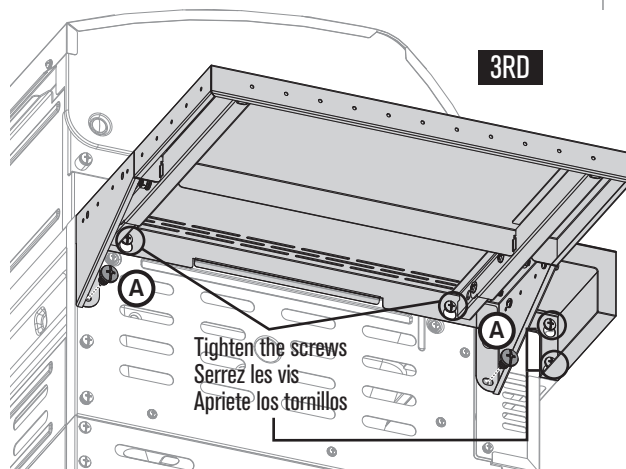
1ST



2ND



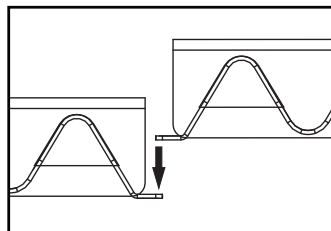
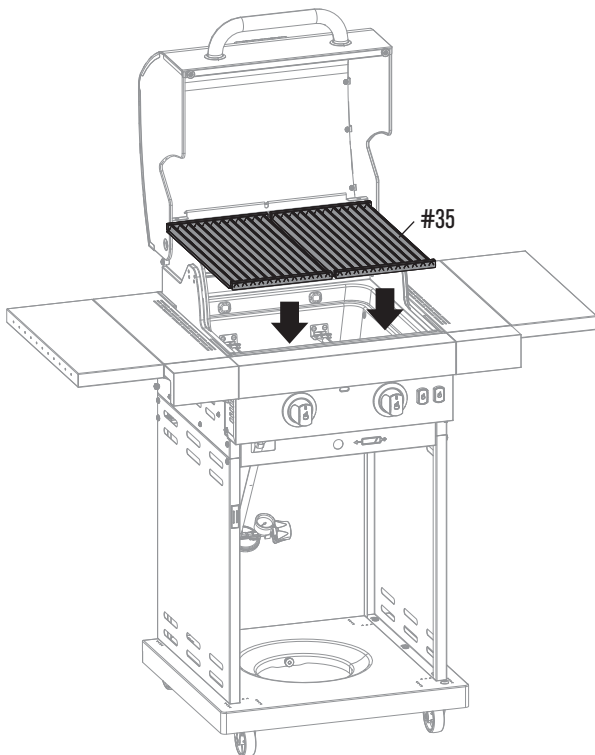
3RD



Tighten the screws
Serrez les vis
Apriete los tornillos

ASSEMBLY / ASSEMBLAGE / ASAMBLEA

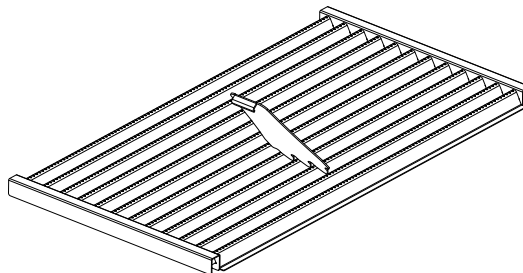
13



IMPORTANT: Infrared emitters must be placed keeping both flat walls overlapped to prevent any flare-up.

IMPORTANT : Les émetteurs infrarouges doivent être placés de manière que les deux parois plates se chevauchent pour fournir une protection contre les flambées soudaines.

IMPORTANTE: los emisores infrarrojos deben colocarse de tal forma que se empalmen las dos superficies planas para prevenir llamaradas.

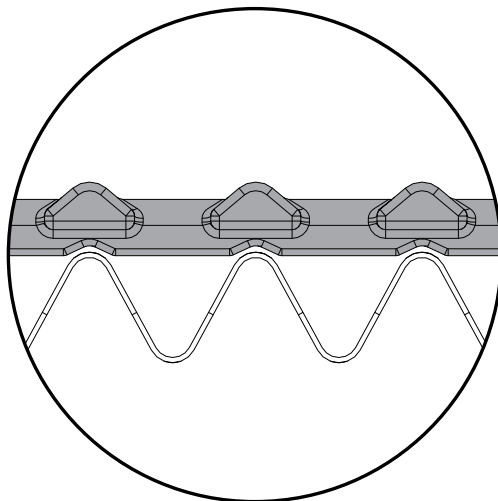
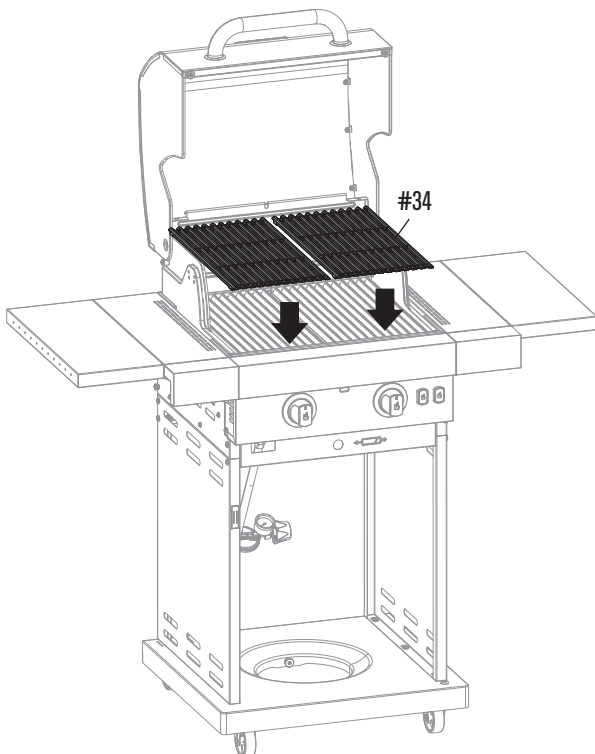


Inspect your infrared emitter before each use to ensure that the openings are not covered with debris. See the Grilling Guide for detailed cleaning instructions.

Inspectez votre grille infrarouge avant chaque utilisation pour vous assurer que les orifices ne sont pas recouverts de débris. Reportez-vous au guide des grillades pour connaître les consignes de nettoyage détaillées

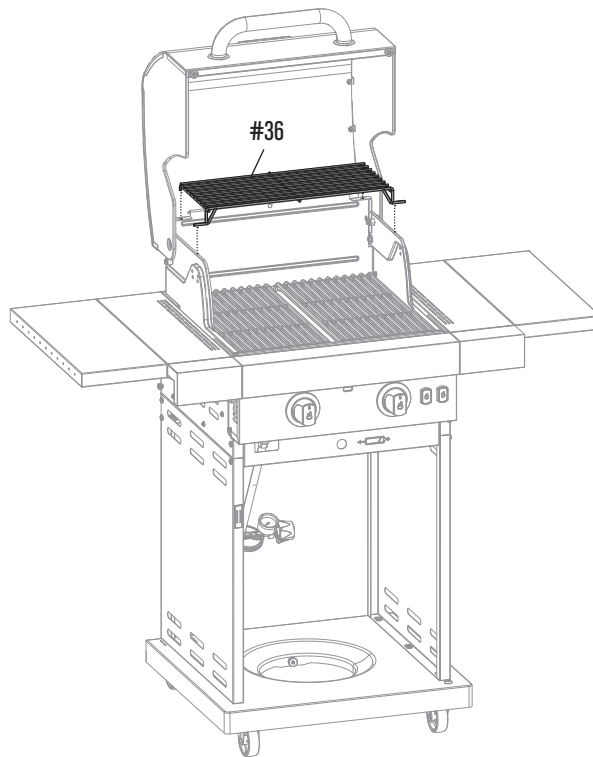
Revise su parrilla infrarroja antes de cada uso para asegurarse que las aberturas no están cubiertas de escombros. Consulte la Guía de Asado a la Parrilla para la limpieza detallada.

14

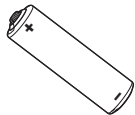


ASSEMBLY / ASSEMBLAGE / ASAMBLEA

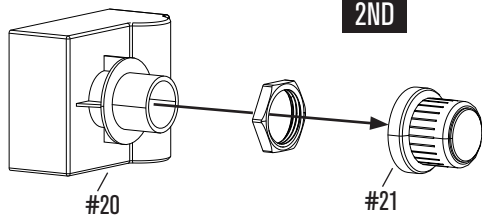
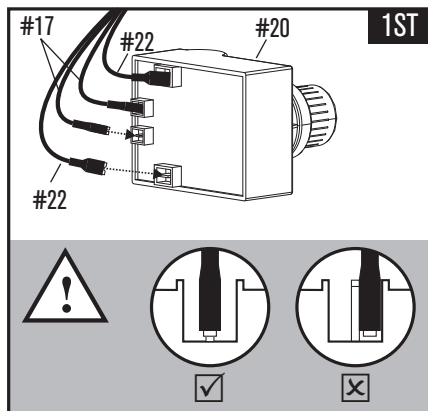
15



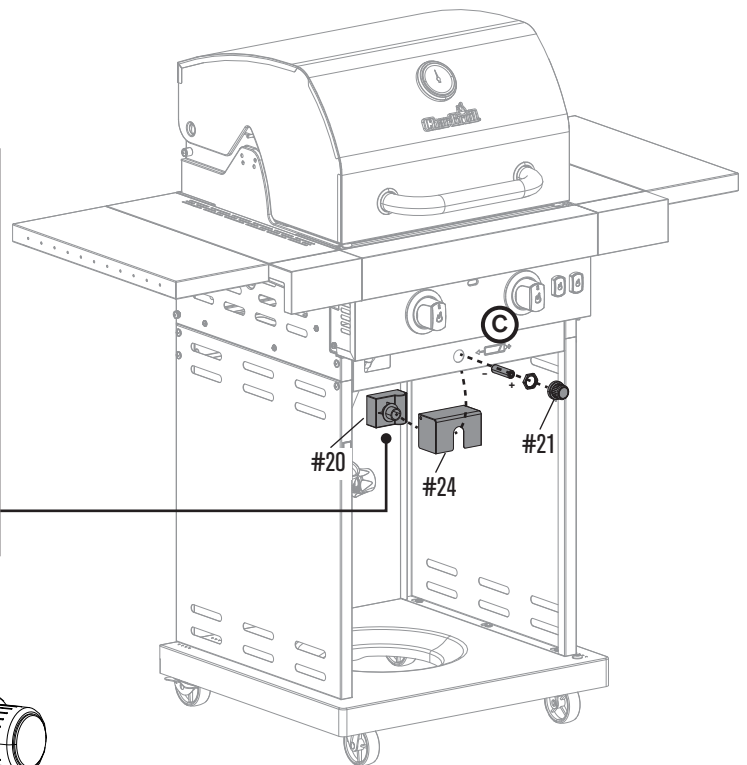
16



Cx1

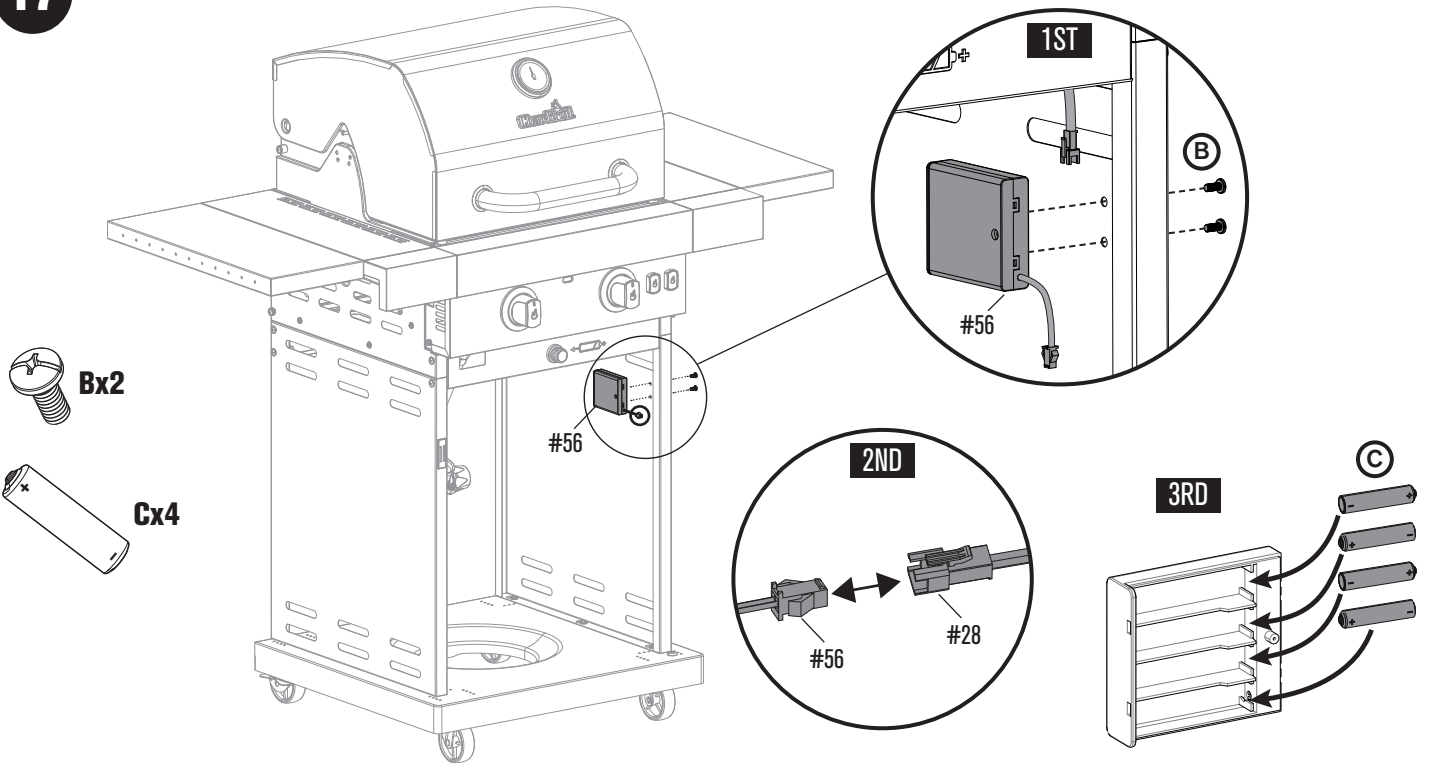


2ND

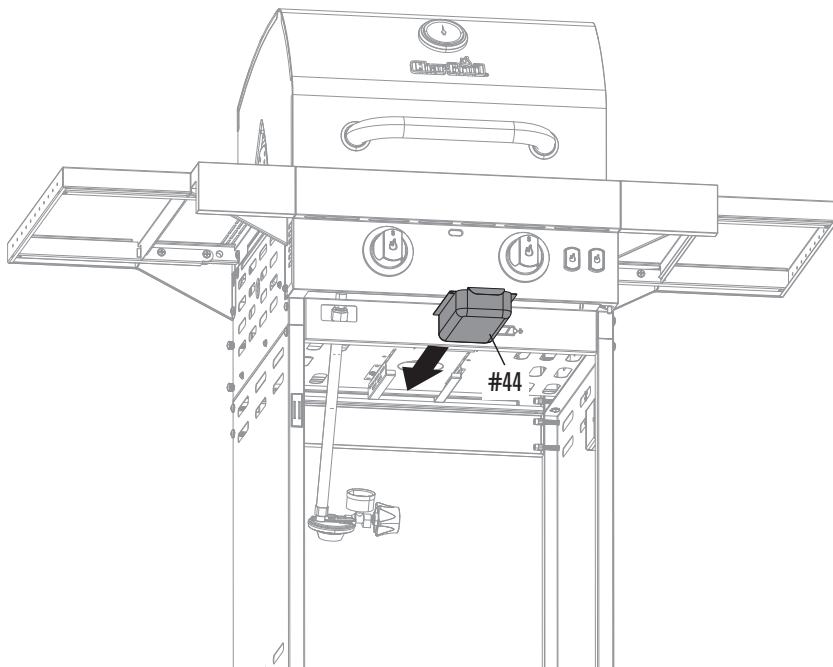


ASSEMBLY / ASSEMBLAGE / ASAMBLEA

17



18



	CAUTION/ ATTENTION/ ADVERTENCIA	
<p>Failure to install grease tray will cause hot grease to drip from bottom of grill with risk of fire or property damage.</p> <p>Si le plateau d'écoulement de la graisse n'est pas installé, de la graisse chaude pourrait s'écouler de la partie inférieure du grill et provoquer un risque d'incendie ou des dommages matériels.</p> <p>El no instalar la bandeja para la grasa ocasionará el goteo de grasa caliente desde la parte inferior de la parrilla, lo que presenta el riesgo de incendio o daños materiales.</p>		

ASSEMBLY / ASSEMBLAGE / ASAMBLEA

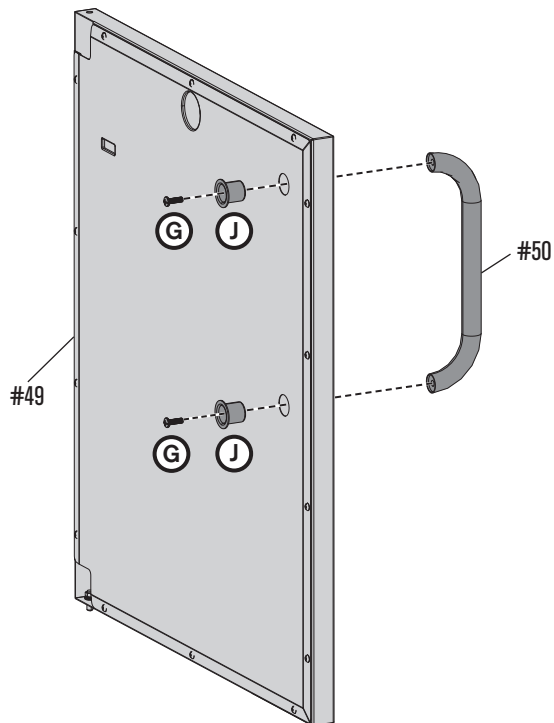
19



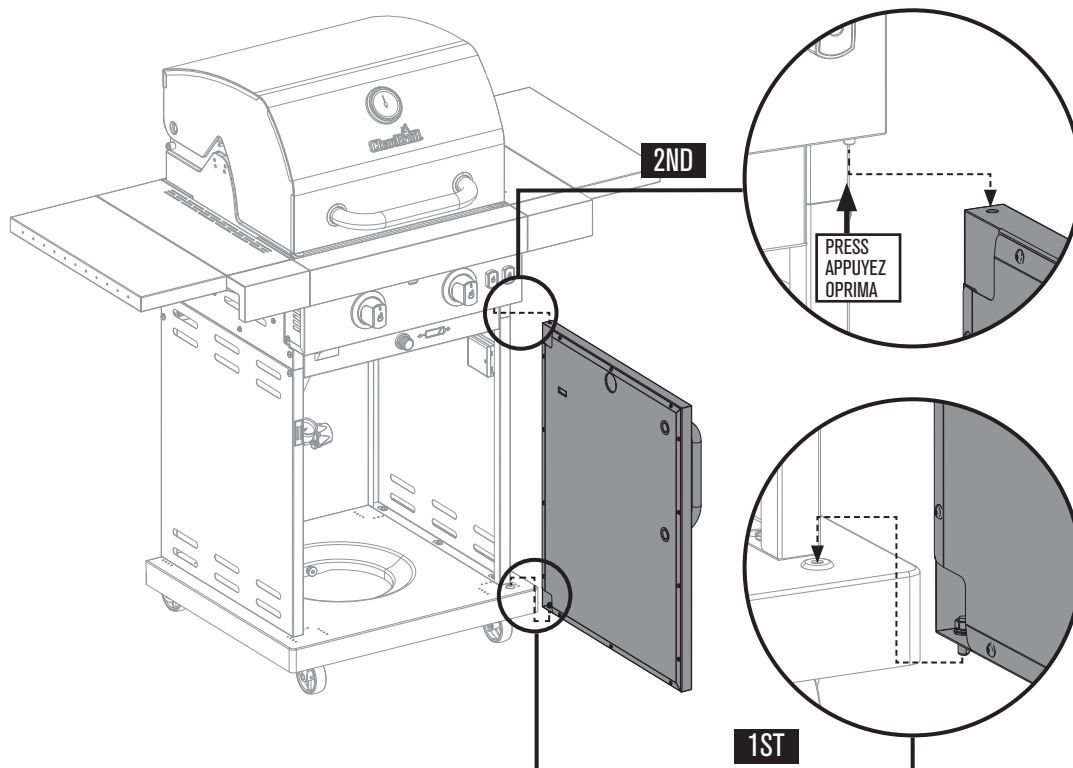
Jx2



Gx2

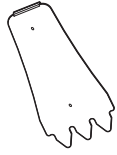


20

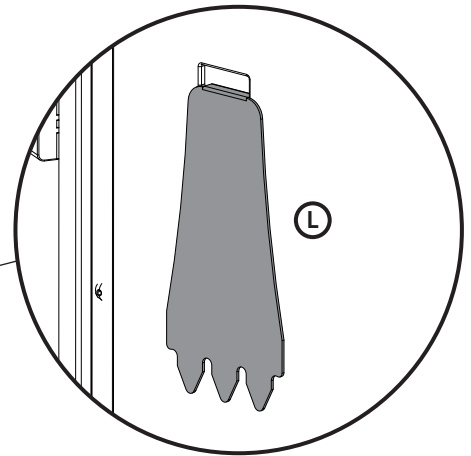
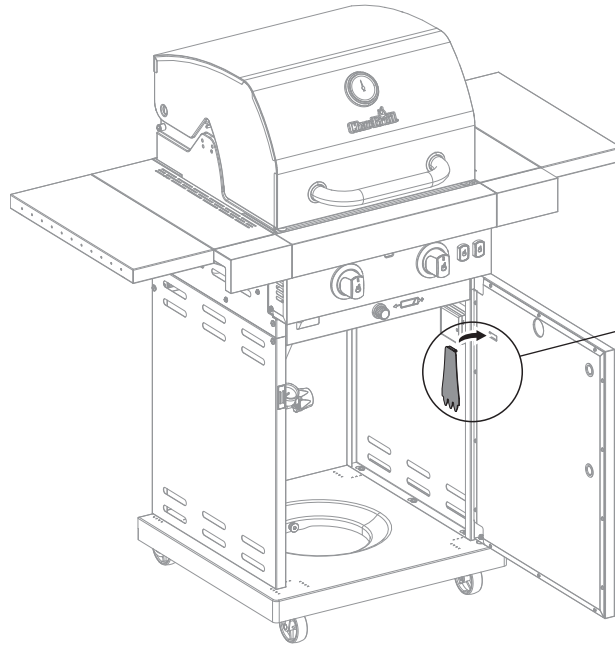


ASSEMBLY / ASSEMBLAGE / ASAMBLEA

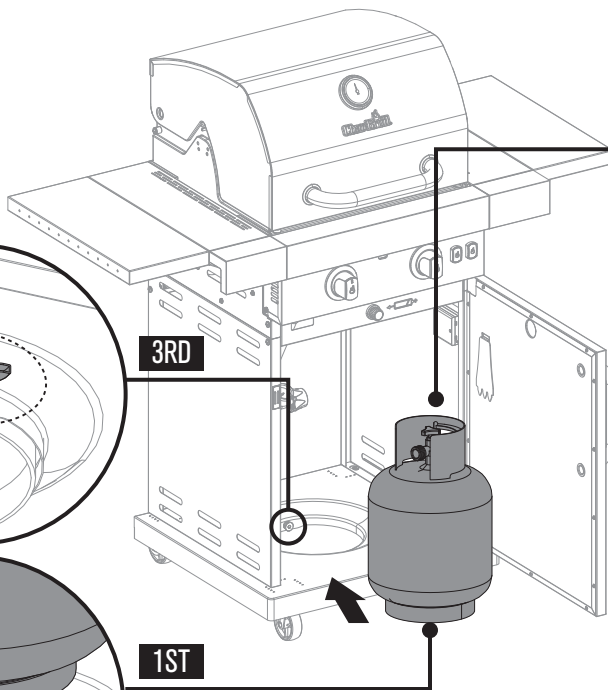
21



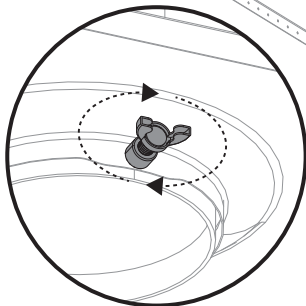
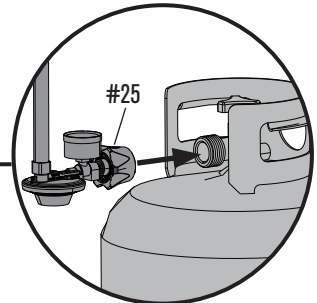
Lx1



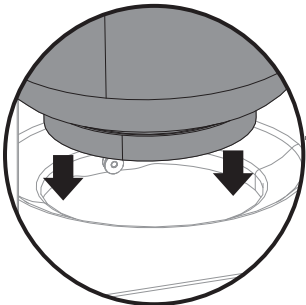
22



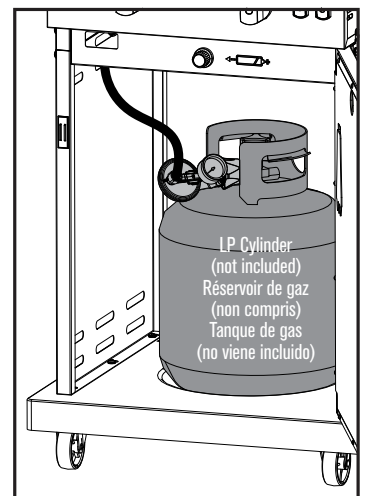
2ND



3RD



1ST



LP Cylinder
(not included)
Réservoir de gaz
(non compris)
Tanque de gas
(no viene incluido)

CAUTION/ ATTENTION/ ADVERTENCIA

Cylinder valve must face as shown once tank is attached. Failure to install cylinder correctly may allow gas hose to be damaged in operation, resulting in the risk of fire.

Le robinet du réservoir doit être orienté vers le devant du chariot une fois le réservoir fixé en position. Une mauvaise installation du réservoir pourrait endommager le tuyau à gaz, créant un risque d'incendie.

Una vez que el tanque haya quedado instalado, la válvula del tanque debe quedar orientada como se ilustra. Si no se instala correctamente el tanque, se puede dañar la manguera de gas durante el suministro, lo que puede ocasionar el riesgo de incendio.

EMERGENCIES: If a gas leak cannot be stopped, or a fire occurs due to gas leakage, call the fire department.

Emergencies	Possible Cause	Prevention/Solution
Gas leaking from cracked/cut/burned hose.	<ul style="list-style-type: none"> Damaged hose. 	<ul style="list-style-type: none"> Turn off gas at LP cylinder or at source on natural gas systems. Discontinue use of product and replace valve/hose/regulator. Once valve/hose/regulator replaced conduct complete leak check per manual.
Gas leaking from LP cylinder.	<ul style="list-style-type: none"> Mechanical failure due to rusting or mishandling. 	<ul style="list-style-type: none"> Replace LP cylinder.
Gas leaking from LP cylinder valve.	<ul style="list-style-type: none"> Failure of cylinder valve from mishandling or mechanical failure. 	<ul style="list-style-type: none"> Turn off LP cylinder valve. Return LP cylinder to gas supplier.
Gas leaking between LP cylinder and regulator connection.	<ul style="list-style-type: none"> Improper installation, connection not tight, and/or failure of rubber seal in cylinder valve. 	<ul style="list-style-type: none"> Turn off LP cylinder valve. Remove regulator from cylinder and visually inspect rubber seal in cylinder valve for damage. If damage or cannot correct leak replace cylinder. See LP Cylinder Leak Test and Connecting Regulator to the LP Cylinder.
Fire coming through control panel.	<ul style="list-style-type: none"> Fire in burner tube section of burner due to blockage. 	<ul style="list-style-type: none"> Turn off control knobs and LP cylinder valve. Leave lid open to allow flames to die down. After fire is out and grill is cold, remove burner and inspect for spider nests or rust. See Natural Hazard and Cleaning the Burner Assembly pages.
Grease fire or continuous excessive flames above cooking surface.	<ul style="list-style-type: none"> Too much grease buildup in burner area. 	<ul style="list-style-type: none"> Turn off control knobs and LP cylinder valve. Leave lid open to allow flames to die down. After cooling, clean food particles and excess grease from inside firebox area, grease tray, and other surfaces.

Troubleshooting

Problem	Possible Cause	Prevention/Solution
<p>Burner(s) will not light using ignitor. (See Electronic Ignition Troubleshooting also) <i>Continued on next page.</i></p>	<p>GAS ISSUES:</p> <ul style="list-style-type: none"> Trying to light wrong burner. Burner not engaged with control valve. Obstruction in burner. No gas flow. Coupling nut and LP cylinder valve not fully connected. <p>ELECTRICAL ISSUES:</p> <ul style="list-style-type: none"> Electrode cracked or broken; "sparks at crack." Electrode tip not in proper position. (Does not apply to SUREFIRE.) Wire and/or electrode covered with cooking residue. Wires are loose or disconnected. Wires are shorting (sparking) between ignitor and electrode. Dead battery. <p>ELECTRONIC IGNITION:</p> <ul style="list-style-type: none"> No spark, no ignition noise. No spark, some ignition noise. Sparks, but not at electrode or at full strength. 	<ul style="list-style-type: none"> See instructions on control panel and in Use and Care section. Make sure valves are positioned inside of burner tubes. Ensure burner tubes are not obstructed with spider webs or other matter. See cleaning section of Use and Care. Make sure LP cylinder is not empty. If LP cylinder is not empty, refer to "Sudden drop in gas flow." Turn the coupling nut approximately one-half to three-quarters additional turn until solid stop. Tighten by hand only - do not use tools. Replace electrode(s). <p>Main Burners:</p> <ul style="list-style-type: none"> Tip of electrode should be pointing toward gas port opening on burner. The distance should be 1/8" to 1/4". Adjust if necessary. <p>Sideburner:</p> <ul style="list-style-type: none"> Tip of electrode should be pointing toward gas port opening on burner. the distance should be 1/8" to 3/16". Adjust if necessary. Clean wire and/or electrode with rubbing alcohol and clean swab. Reconnect wires or replace electrode/wire assembly. Replace ignitor wire/electrode assembly. Replace with a new alkaline battery. See Section I of Electronic Ignition System. See Section II of Electronic Ignition System. See Section III of Electronic Ignition System.
<p>Burner(s) will not match light.</p>	<ul style="list-style-type: none"> See "GAS ISSUES:" Match will not reach. Improper method of match-lighting. 	<ul style="list-style-type: none"> Use long-stem match (fireplace match). See "Match-Lighting" section of Use and Care.

Troubleshooting (continued)

Problem	Possible Cause	Prevention/Solution
Sudden drop in gas flow or low flame.	<ul style="list-style-type: none"> • Out of gas. • Excess flow valve tripped. • Vapor lock at coupling nut/LP cylinder connection. 	<ul style="list-style-type: none"> • Check for gas in LP cylinder. • Turn off knobs, wait 30 seconds and light grill. If flames are still low, turn off knobs and LP cylinder valve. Disconnect regulator. Reconnect regulator and leak-test. Turn on LP cylinder valve, wait 30 seconds and then light grill. • Turn off knobs and LP cylinder valve. Disconnect coupling nut from cylinder. Reconnect and retry.
Flames blow out.	<ul style="list-style-type: none"> • High or gusting winds. • Low on LP gas. • Excess flow valve tripped. 	<ul style="list-style-type: none"> • Turn front of grill to face wind or increase flame height by turning gas valve to a higher position. • Refill LP cylinder. • Refer to "Sudden drop in gas flow" above.
Flare-up.	<ul style="list-style-type: none"> • Grease buildup. • Excessive fat in meat. • Excessive cooking temperature. 	<ul style="list-style-type: none"> • Clean burners and inside of grill/firebox. • Trim fat from meat before grilling. • Adjust (lower) temperature accordingly.
Persistent grease fire.	<ul style="list-style-type: none"> • Grease trapped by food buildup around burner system. 	<ul style="list-style-type: none"> • Turn knobs to OFF. Turn gas off at LP cylinder. Leave lid in position and let fire burn out. After grill cools, remove and clean all parts.
Flashback (fire in burner tube(s)).	<ul style="list-style-type: none"> • Burner and/or burner tubes are blocked. 	<ul style="list-style-type: none"> • Turn knobs to OFF. Clean burner and/or burner tubes. See burner cleaning section of Use and Care.
One burner does not light from other burner(s).	<ul style="list-style-type: none"> • Grease buildup or food particles in end(s) of carryover tube(s). 	<ul style="list-style-type: none"> • Clean carry-over tube(s) with wire brush.

Troubleshooting - Electronic Ignition

Problem (Ignition)	Possible Cause	Check Procedure	Prevention/Solution
SECTION I No sparks appear at any electrodes when Electronic Ignition Button is pressed; no noise can be heard from spark module.	<ul style="list-style-type: none"> • Battery not installed properly. • Dead battery. • Button assembly not installed properly. • Faulty spark module. 	<ul style="list-style-type: none"> • Check battery orientation. • Has battery been used previously? • Check to insure threads are properly engaged. Button should travel up and down without binding. • If no sparks are generated with new battery and good wire connections, module is faulty. 	<ul style="list-style-type: none"> • Install battery (make sure that "+" and "-" connectors are oriented correctly, with "+" on cap end.) • Replace battery with new alkaline battery. • Unscrew button cap assembly and reinstall, making sure threads are aligned and engaged fully. • Replace spark module assembly.
SECTION II No sparks appear at any electrodes when Electronic Ignition Button is pressed; noise can be heard from spark module.	<ul style="list-style-type: none"> • Output lead connections not connected. 	<ul style="list-style-type: none"> • Are output connections on and tight? 	<ul style="list-style-type: none"> • Remove and reconnect all output connections at module and electrodes.
SECTION III Sparks are present but not at all electrodes and/or not at full strength	<ul style="list-style-type: none"> • Output lead connections not connected. • Arcing to grill away from burner(s). • Weak battery. • Electrodes are wet. • Electrodes cracked or broken "sparks at crack". 	<ul style="list-style-type: none"> • Are output connections on and tight? • If possible, observe grill in dark location. Operate ignition system and look for arcing between output wires and grill frame. • All sparks present but weak or at slow rate. • Has moisture accumulated on electrode and/or in burner ports? • Inspect electrodes for cracks. 	<ul style="list-style-type: none"> • Remove and reconnect all output connections at module and electrodes. • If sparks are observed other than from burner(s), wire insulation may be damaged. Replace wires. • Replace battery with a new alkaline battery. • Use paper towel to remove moisture. • Replace cracked or broken electrodes.

URGENCES : si une fuite de gaz ne peut pas être arrêtée, ou si un incendie se propage en raison d'une fuite de gaz, appelez le service d'incendie.

Urgences	Cause possible	Prévention/Solution
Fuite de gaz sur un tuyau cassé, coupé ou brûlé.	<ul style="list-style-type: none"> Tuyau endommagé. 	<ul style="list-style-type: none"> Fermez l'alimentation en gaz au niveau du réservoir ou à la source au niveau du système de distribution du gaz naturel. Cessez d'utiliser ce produit et remplacez la vanne / tuyau / régulateur. Une fois valve / tuyau / régulateur remplacé conduite vérification de fuite complète par manuel.
Fuite de gaz du réservoir de GPL.	<ul style="list-style-type: none"> Défaillance mécanique due à la rouille ou à une mauvaise manipulation. 	<ul style="list-style-type: none"> Remplacez le réservoir de gaz.
Fuite de gaz de la valve du réservoir de GPL.	<ul style="list-style-type: none"> Défaillance de la valve du réservoir due à une mauvaise manipulation ou à une défaillance mécanique. 	<ul style="list-style-type: none"> Fermez l'alimentation en gaz au niveau de la valve du réservoir de GPL. Rapportez le réservoir de GPL au fournisseur.
Fuite de gaz entre le réservoir de GPL et le raccord du régulateur.	<ul style="list-style-type: none"> Une installation inadéquate, un raccord pas assez serré et une défaillance du joint d'étanchéité en caoutchouc du robinet de la bouteille de gaz. 	<ul style="list-style-type: none"> Fermer le robinet de la bouteille de gaz propane. Enlever le détendeur de la bouteille de gaz et inspecter visuellement le joint d'étanchéité en caoutchouc dans le robinet de la bouteille de gaz pour voir s'il est défectueux. Si c'est le cas ou s'il est impossible de réparer la fuite, remplacer la bouteille de gaz propane. Voir Essai d'étanchéité de la bouteille de gaz propane et Branchement du détendeur à la bouteille de gaz propane.
Feu sortant du panneau de commande.	<ul style="list-style-type: none"> Feu dans le tube du brûleur au niveau du brûleur dû à un blocage. 	<ul style="list-style-type: none"> Fermez tous les boutons de réglage, ainsi que la valve du réservoir. Laissez le couvercle ouvert pour permettre aux flammes de s'éteindre. Une fois le feu éteint et l'appareil refroidi, enlevez le brûleur et inspectez-le afin d'identifier la présence de rouille ou de nids d'araignées. Consultez les pages concernant les dangers naturels et celles sur le nettoyage du brûleur.
Feu de graisse ou grosses flammes continues au dessus de la surface de cuisson.	<ul style="list-style-type: none"> Accumulation excessive de graisse autour du brûleur. 	<ul style="list-style-type: none"> Fermez tous les boutons de réglage, ainsi que la valve du réservoir. Laissez le couvercle ouvert pour permettre aux flammes de s'éteindre. Une fois le refroidissement terminé, enlevez les particules d'aliments et la graisse accumulés à l'intérieur du foyer, du plateau d'écoulement de la graisse et des autres surfaces.

Dépannage

Problème	Cause possible	Prévention/Solution
<p>Le dispositif d'allumage n'allume pas le(s) brûleur(s). (Voir également la section Dépannage pour les dispositifs d'allumage électroniques)</p> <p><i>suite à la page suivante.</i></p>	<p>PROBLÈMES RELATIFS AU GAZ :</p> <ul style="list-style-type: none"> Vous essayez d'allumer le mauvais brûleur. Le brûleur n'est pas branché au système de valve. Le brûleur est obstrué. Le gaz ne circule pas. L'écrou de raccord et le réservoir de GPL ne sont pas complètement branchés. <p>PROBLÈMES ÉLECTRIQUES :</p> <ul style="list-style-type: none"> L'électrode est fendue ou cassée. Des étincelles se produisent à l'endroit de la fissure. La pointe de l'électrode n'est pas placée au bon endroit. (Ne s'applique pas SUREFIRE) Des fils ou l'électrode sont couverts de résidus de cuisson. Les fils sont débranchés ou le contact est mauvais. Court-circuit (étincelles) entre le dispositif d'allumage et l'électrode. La pile est épuisée. <p>ALLUMAGE ÉLECTRONIQUE :</p> <ul style="list-style-type: none"> Pas d'étincelles, pas de bruit d'allumage. Pas d'étincelles, quelques bruits d'allumage. Les étincelles sont présentes, mais pas au niveau de l'électrode ou pas à pleine puissance. 	<ul style="list-style-type: none"> Voir les instructions sur le panneau de commande et dans la section Utilisation et entretien. Assurez-vous que le système de valve est bien inséré dans les tubes du brûleur. Assurez-vous que les tubes du brûleur ne sont pas obstrués par des toiles d'araignées ou par d'autres matières. Voir la section sur le nettoyage et l'entretien. Vérifiez que le réservoir de GPL n'est pas vide. Si le réservoir de GPL n'est pas vide, consultez l'article « Baisse subite de la circulation du gaz ». Tournez l'écrou de raccord d'environ un demi-tour ou de trois quarts de tour supplémentaire jusqu'à ce qu'il soit bloqué à fond. Ne serrez qu'à la main - n'utilisez pas d'outils. Remplacez la ou les électrodes. <p>Brûleurs principaux :</p> <ul style="list-style-type: none"> La pointe de l'électrode doit être orientée vers l'orifice de gaz du brûleur. La distance doit se situer entre 1/8 po et 1/4 po. Ajustez au besoin. <p>Brûleur latéral :</p> <ul style="list-style-type: none"> La pointe de l'électrode doit être orientée vers l'orifice de gaz du brûleur. La distance doit se situer entre 1/8 po et 3/16 po. Ajustez au besoin. Nettoyez les fils ou les électrodes au moyen d'alcool à friction et d'un chiffon propre. Rebranchez les fils ou remplacez les électrodes et les fils. <ul style="list-style-type: none"> Remplacez le câble d'allumage ou l'électrode. Remplacez par une nouvelle pile alcaline. Reportez-vous à la section I du système d'allumage électronique. Reportez-vous à la section II du système d'allumage électronique. Reportez-vous à la section III du système d'allumage électronique.
Le brûleur ne s'allume pas avec des allumettes.	<ul style="list-style-type: none"> Consultez la section « PROBLÈMES RELATIFS AU GAZ » L'allumette est trop courte. Méthode incorrecte d'allumage avec une allumette. 	<ul style="list-style-type: none"> Utilisez des allumettes à tige longue (allumettes conçues pour l'allumage de foyers). Reportez-vous à la section « Allumage avec une allumette » dans le manuel d'utilisation et d'entretien.

Dépannage (suite)

Problème	Cause possible	Prévention/Solution
Baisse subite du flux de gaz ou flamme faible.	<ul style="list-style-type: none"> Le gaz est épuisé. La soupape de remplissage excessif a été déclenchée. 	<ul style="list-style-type: none"> Vérifiez que le réservoir de GPL contient bien du gaz. Fermez les boutons, attendez 30 secondes et allumez le gril. Si les flammes sont toujours faibles, fermez les boutons et la valve du réservoir. Débranchez le régulateur. Rebranchez le régulateur et faites un essai d'étanchéité. Ouvrez la valve du réservoir, attendez 30 secondes, puis allumez le gril.
Les flammes s'éteignent.	<ul style="list-style-type: none"> Vents forts ou rafales. Niveau de gaz bas. La soupape de remplissage excessif a été déclenchée. 	<ul style="list-style-type: none"> Se placer devant le gril pour faire face au vent ou augmenter la hauteur de la flamme en tournant le robinet de gaz au maximum. Remplissez le réservoir de gaz. Reportez-vous à la section « Baisse subite de l'écoulement du gaz » ci-dessus.
Flambées soudaines.	<ul style="list-style-type: none"> Accumulation de graisse. Excès de gras dans la viande. Température de cuisson excessive. 	<ul style="list-style-type: none"> Nettoyez les brûleurs et la partie intérieure du gril ou du foyer. Enlevez le gras de la viande avant la cuisson. Ajustez (abaissez) la température selon le cas.
Incendie de graisse persistant.	<ul style="list-style-type: none"> Graisse coincée par l'accumulation de nourriture autour du système du brûleur. 	<ul style="list-style-type: none"> Tournez les boutons en position d'arrêt (OFF). Fermez l'alimentation en gaz au niveau du réservoir de GPL. Laissez le couvercle en position et laissez le feu s'épuiser. Lorsque le gril a refroidi, enlevez et nettoyez toutes les pièces.
Retour de flamme... (incendie dans les tubes du brûleur).	<ul style="list-style-type: none"> Le brûleur ou les tubes du brûleur sont bloqués. 	<ul style="list-style-type: none"> Tournez les boutons en position d'arrêt (OFF). Nettoyez les brûleurs ou les tubes de brûleur. Voir la section sur le nettoyage du brûleur du manuel d'utilisation et d'entretien.
Un brûleur ne s'allume pas à partir d'autres brûleurs.	<ul style="list-style-type: none"> Accumulation de graisse ou de particules d'aliments dans le(s) extrémité(s) des renforts de tube. 	<ul style="list-style-type: none"> Nettoyez le(s) renfort(s) de tube au moyen d'une brosse métallique.

Dépannage – Allumage électronique

Problème (allumage)	Cause possible	Vérification de la procédure	Prévention/Solution
SECTION I Pas d'étincelles apparaissent à tout moment des électrodes d'allumage électronique Bouton pressés, pas de bruit peut être entendu à partir de bougies module.	<ul style="list-style-type: none"> La pile n'est pas installée correctement. La pile est épuisée. Le bouton n'est pas installé correctement. Le module de production d'étincelles est défectueux. 	<ul style="list-style-type: none"> Vérifiez l'orientation de la pile. Cette pile a-t-elle déjà été utilisée? Vérifiez que le filetage est bien engagé. Le bouton doit se déplacer librement de haut en bas. Si aucune étincelle n'est produite avec une nouvelle pile et un bon raccord de fils, le module est défectueux. 	<ul style="list-style-type: none"> Installez la pile (assurez-vous que les polarités « - » et « + » sont orientées correctement, avec le côté « + » sur la fin de la PAC.) Remplacez la pile avec une nouvelle pile alcaline. Desserrez l'assemblage du capuchon du bouton et installez-le de nouveau, en vous assurant que le filetage est aligné et engagé complètement. Remplacez le module d'étincelles.
SECTION II Pas d'étincelles apparaissent à tout moment des électrodes d'allumage électronique Bouton pressé, le bruit peut être entendu à partir de bougies module.	<ul style="list-style-type: none"> Les fils de sortie ne sont pas branchés. 	<ul style="list-style-type: none"> Les fils de sortie sont-ils branchés et étanches? 	<ul style="list-style-type: none"> Enlevez et rebranchez tous les fils de sortie du module et des électrodes.
SECTION III Des étincelles sont présentes, mais pas vis-à-vis de toutes les électrodes ou alors, les étincelles ne sont pas à pleine puissance.	<ul style="list-style-type: none"> Les fils de sortie ne sont pas branchés. Amorçage d'arc électrique loin des brûleurs. Pile faible. Les électrodes sont mouillées. Les électrodes sont fendues ou cassées. Des étincelles apparaissent à l'endroit de la fissure. 	<ul style="list-style-type: none"> Les fils de sortie sont-ils branchés et étanches? Si possible, observez le gril dans l'obscurité. Faites fonctionner le dispositif d'allumage et cherchez l'amorçage de l'arc entre les fils de sortie et le cadre du gril. Toutes les étincelles sont présentes, mais faibles ou lentes. Y-a-t-il une accumulation d'humidité sur l'électrode ou dans les ouvertures du brûleur? Examinez les électrodes pour d'éventuelles fissures. 	<ul style="list-style-type: none"> Enlevez et rebranchez tous les fils de sortie du module et des électrodes. Si vous voyez des étincelles autres que celles des brûleurs, les fils d'isolation sont peut-être endommagés. Remplacez les fils. Remplacez la pile avec une nouvelle pile alcaline. Essuyez l'humidité avec une serviette de papier. Remplacez les électrodes fendues ou cassées.

CASOS DE EMERGENCIA: Si no se puede detener una fuga de gas, o si ocurre un incendio debido a una fuga de gas, llame a los bomberos.

Emergencias	Causas probables	Medidas de prevención / solución
Fugas de gas de mangueras agrietadas, cortadas o quemadas.	<ul style="list-style-type: none"> Manguera dañada. 	<ul style="list-style-type: none"> Cierre el gas en el cilindro o en la fuente de los sistemas de gas natural. Deje de utilizar el producto y vuelva a colocar la válvula / la manguera / el regulador. Una vez que la válvula / la manguera / regulador sustituyó conducta completa revisión de fugas según el manual.
Fuga de gas del cilindro.	<ul style="list-style-type: none"> Falla mecánica debido a la oxidación o al mal uso. 	<ul style="list-style-type: none"> Cambie el cilindro de gas.
Fuga de gas de la válvula del cilindro.	<ul style="list-style-type: none"> Falla de la válvula del cilindro debida al mal uso o a falla mecánica. 	<ul style="list-style-type: none"> Cierre la válvula del cilindro de gas. Devuelva el cilindro al proveedor de gas.
Fuga de gas entre el cilindro y la conexión del regulador.	<ul style="list-style-type: none"> Instalación incorrecta, conexión floja o fallo o del sello de caucho en la válvula del cilindro. 	<ul style="list-style-type: none"> Cierre la válvula del cilindro de gas LP. Retire el regulador del cilindro e inspeccione visualmente el sello de caucho de la válvula del cilindro para detectar daños. Si está dañado o no se puede corregir la fuga, cambie el cilindro. Vea Prueba de fugas del cilindro de gas LP y Conectar el regulador al cilindro de gas LP.
Sale fuego por el tablero de control.	<ul style="list-style-type: none"> Fuego en la sección del tubo del quemador debido a un bloqueo. 	<ul style="list-style-type: none"> Cierre las perillas de control y la válvula del cilindro de gas. Deje abierta la tapa para permitir que las llamas se extingan. Una vez que se haya extinguido el fuego y la parrilla esté fría, retire el quemador y examínelo para ver si tiene nidos de arañas o herrumbre. Lea las páginas relativas a <i>Los peligros naturales</i> y <i>la limpieza de la unidad del quemador</i>.
Hay continuamente fuego producido por la grasa o demasiadas llamas sobre la superficie de cocinar.	<ul style="list-style-type: none"> Demasiada grasa acumulada en la zona del quemador. 	<ul style="list-style-type: none"> Cierre las perillas de control y la válvula del cilindro de gas. Deje abierta la tapa para permitir que las llamas se extingan. Una vez que se haya enfriado, limpie las partículas de comida y la acumulación de grasa en la parte interior de la zona de la cámara de combustión, la bandeja para la grasa y toda otra superficie.

Resolución de problemas

Problema	Causas probables	Medidas de prevención / solución
<p>El quemador o los quemadores no se enciende(n) al usar el encendedor. (Lea además la sección <i>Resolución de problemas del encendido electrónico</i>)</p> <p><i>Continúa en la página siguiente.</i></p>	<p>PROBLEMAS DE GAS:</p> <ul style="list-style-type: none"> Está tratando de encender el quemador equivocado. El quemador no está conectado a la válvula de control. Obstrucción en el quemador. No hay flujo de gas. La tuerca de unión y la válvula del tanque de gas no están bien conectadas. <p>PROBLEMAS DE ELECTRICIDAD:</p> <ul style="list-style-type: none"> Electrodo agrietado o roto; salen "chispas de la grieta". La punta del electrodo no está en la posición correcta. (No se aplica a SURFIRE) El cable o el electrodo está cubierto con restos de comida. Los cables están flojos o desconectados. Los cables producen cortocircuitos (chispas) entre el encendedor y el electrodo. Pila gastada. <p>ENCENDIDO ELECTRÓNICO:</p> <ul style="list-style-type: none"> No hay chispa, no hay sonido de encendido. No hay chispa, hay un sonido leve de encendido. Hay chispas, pero no en el electrodo o a plena potencia. 	<ul style="list-style-type: none"> Lea las instrucciones en el tablero de control y en la sección titulada <i>Uso y mantenimiento</i>. Verifique que las válvulas estén ubicadas dentro de los tubos de los quemadores. Verifique que el tubo de los quemadores no esté obstruido con telarañas u otras materias. Lea la parte referente a la limpieza en la sección <i>Uso y mantenimiento</i>. Verifique que el tanque no esté vacío. Si el tanque de gas no está vacío, lea la sección referente a la <i>Caída repentina del flujo de gas</i>. Gire la tuerca de unión entre media vuelta y tres cuartos de vuelta adicionales, hasta que no la pueda girar más. Apriétela a mano únicamente, no use herramientas. Cambie el (los) electrodo(s). <p>Quemadores principales:</p> <ul style="list-style-type: none"> La punta del electrodo debe estar orientada hacia el orificio de combustión del puerto del quemador. La distancia debe ser de 1/8" a 1/4" (3,17 mm a 6,35 mm). Ajústela si es necesario. <p>Quemador lateral:</p> <ul style="list-style-type: none"> La punta del electrodo debe estar orientada hacia el orificio de combustión del puerto del quemador. La distancia debe ser de 1/8" a 3/16". (3,17 mm a 4,76 mm) Ajústela si es necesario. Limpie el cable y el electrodo con alcohol de frotar y un hisopo limpio. Vuelva a conectar los cables o cambie la unidad de electrodo/cable. Cambie la unidad del cable del encendedor / el electrodo. Cámbiela por una pila alcalina nueva. Lea la sección I de <i>Sistema de encendido electrónico</i>. Lea la sección II de <i>Sistema de encendido electrónico</i>. Lea la sección III de <i>Sistema de encendido electrónico</i>.
El quemador o los quemadores no se encienden con fósforos.	<ul style="list-style-type: none"> Lea "PROBLEMAS DE GAS:". El fósforo no llega al punto de encendido. Método inadecuado de encendido con fósforos. 	<ul style="list-style-type: none"> Use un fósforo de palito largo (fósforo para encender chimeneas). Lea la parte titulada <i>Encendido con fósforos</i> de la sección <i>Uso y mantenimiento</i>.

Resolución de problemas (continuación)

Problema	Causas probables	Medidas de prevención / solución
Caída repentina del flujo de gas o llama reducida.	<ul style="list-style-type: none"> • Se acabó el gas. • Se activó la válvula por sobrecarga de gas. 	<ul style="list-style-type: none"> • Verifique que el tanque de gas esté cargado. • Cierre las perillas, espere 30 segundos y encienda la parrilla. Si las llamas siguen siendo bajas, cierre la perilla y la válvula del tanque de gas. Desconecte el regulador. Vuelva a conectar el regulador y haga una prueba para detectar fugas. Abra la válvula del tanque de gas, espere 30 segundos y, luego, encienda la parrilla.
Llamas que se apagan.	<ul style="list-style-type: none"> • Vientos fuertes o en ráfagas. • Bajo flujo de gas propano. • Se activó la válvula por sobrecarga de gas. 	<ul style="list-style-type: none"> • Oriente el frente de la parrilla hacia el viento o aumente la altura de la llama girando la válvula del gas a una posición más alta. • Recargue el tanque de gas. • Lea lo referente a la <i>Caída repentina del flujo de gas</i> en la sección anterior.
Fogonazos.	<ul style="list-style-type: none"> • Acumulación de grasa. • Carne sumamente grasosa. • Temperatura de cocción demasiado elevada. 	<ul style="list-style-type: none"> • Limpie los quemadores y el interior de la parrilla / cámara de combustión. • Desgrase la carne antes de cocinarla a la parrilla. • Ajuste (baje) la temperatura según corresponda.
Fuegos persistentes, producidos por la grasa.	<ul style="list-style-type: none"> • Grasa atrapada por acumulación de restos de comida alrededor del sistema del quemador. 	<ul style="list-style-type: none"> • Cierre las perillas. Cierre el paso de gas desde el tanque. Deje la tapa en su sitio y deje que se apague el fuego. Después de que se enfríe la parrilla, retire y limpie todas las piezas.
Retorno de las llamas...(fuego en los tubos del quemador).	<ul style="list-style-type: none"> • El quemador o los tubos del quemador están obstruidos. 	<ul style="list-style-type: none"> • Cierre las perillas. Limpie el quemador o los tubos del quemador. Lea la sección de limpieza del quemador de <i>Uso y mantenimiento</i>.
Uno de los quemadores no enciende del (de los) otro(s) quemador(es).	<ul style="list-style-type: none"> • Acumulación de grasa o de partículas de comida en el (los) extremo(s) del (de los) tubo(s) de arrastre. 	<ul style="list-style-type: none"> • Limpie el (los) tubo(s) de arrastre con un cepillo de alambre.

Resolución de problemas - Encendido electrónico

Problema (encendido)	Causas probables	Procedimiento de revisión	Medidas de prevención / solución
SECCIÓN I No aparecen en cualquier chispas cuando los electrodos de encendido electrónico Buttonis presionado, no se puede escuchar el ruido de chispas módulo.	<ul style="list-style-type: none"> • La pila no está instalada adecuadamente. • Pila gastada. • Montaje Button no instalado correctamente • Módulo de chispas defectuoso. 	<ul style="list-style-type: none"> • Revise la orientación de la pila. • ¿Es una pila usada? • Verifique que la tapa de la pila esté bien conectada. • Si no se generan chispas con la pila nueva y las conexiones del cable están bien hechas, el módulo está defectuoso. 	<ul style="list-style-type: none"> • Instale la pila (verifique que los conectores "+" y "-" estén orientados correctamente, con el extremo "+" de la tapa.) • Cámbiela por una pila alcalina nueva. • Quite la unidad de la tapa de la pila y vuelva a instalarla; verifique que esté bien conectada. • Cambie la unidad del módulo de chispas.
SECCIÓN II No aparecen en cualquier chispas cuando los electrodos de encendido electrónico Buttonis presionado; se puede escuchar el ruido de chispas módulo.	<ul style="list-style-type: none"> • Las conexiones del cable de salida no están bien hechas. 	<ul style="list-style-type: none"> • ¿Están conectadas y bien hechas las conexiones de salida? 	<ul style="list-style-type: none"> • Retire y vuelva a hacer todas las conexiones de salida en el módulo y en los electrodos.
SECCIÓN III Hay chispas pero no en todos los electrodos y/o no a plena potencia	<ul style="list-style-type: none"> • Las conexiones del cable de salida no están bien hechas. • El arco de la parrilla se forma lejos del (de los) quemador(es). • Pila débil. • Los electrodos están húmedos. • Los electrodos están agrietados o rotos, con "chispas en las grietas". 	<ul style="list-style-type: none"> • ¿Están conectadas y bien hechas las conexiones de salida? • Si es posible, observe la parrilla en un lugar oscuro. Haga funcionar el sistema de encendido y trate de detectar la formación del arco entre los cables de salida y el marco de la parrilla. • Se forman todas las chispas, pero son débiles o lentas. • ¿Se ha acumulado humedad en el electrodo y/o en los orificios de combustión? • Examine los electrodos para detectar grietas. 	<ul style="list-style-type: none"> • Retire y vuelva a hacer todas las conexiones de salida en el módulo y en los electrodos. • Si se observan chispas que no sean del (de los) quemador(es), es posible que esté dañado el aislamiento de los cables. Cambie los cables. • Cambie la pila por una pila alcalina nueva. • Use una toalla de papel para secar la humedad. • Cambie los electrodos agrietados o rotos.

PRODUCT REGISTRATION

Two convenient ways to register your product:

Deux manières pratiques d'enregistrer votre produit:

Dos maneras convenientes de registrar su producto:

1 Online

En ligne

En línea

@ WWW.CHARBROIL.COM/REGISTER

2 By Mail | Par la poste | Por correo

Please fill out this card and attached a copy of your sales receipt. Return it within 10 days of purchase for warranty service. Proof of purchase will be required. The warranty is not transferable.

Veillez remplir cette carte et joindre une copie de votre reçu de vente. Renvoyez-le dans les 10 jours de l'achat pour le service de garantie. Une preuve d'achat sera nécessaire. La garantie n'est pas transférable.

Por favor llene esta tarjeta y adjunte una copia de su recibo de compra. Devuelva en el plazo de 10 días de la compra para el servicio de la garantía. Se requerirá prueba de compra. La garantía no es transferible.

**Required / Obligatoire / Necesario*

***Please Print / Veuillez imprimer / Por favor imprima*

*1. First Name Prénom Nombre	Initial Initiale Inicial	Last Name Nom de famille Apellido
Address Adresse Dirección		Apt. No No d'appt No de appart
City Ville Ciudad	State Etat Estado	Zip Code Code post Código post
*2. E-mail Address Adresse e-mail Dirección de correo electrónico		
*3. Phone Number Numéro de téléphone Número de Teléfono		
*4. Model Number Numéro de modèle Número de modelo		
Serial Number Numéro de série Número de serie		
6. Date of Purchase Date d'achat Fecha de compra		
7. Store Name Nom du magasin Nombre de la tienda		
8. Purchase Price Prix d'achat Precio de compra		

*5. Attach copy of your sales receipt here.
Joignez une copie de votre reçu de vente ici.
Adjunte una copia de su recibo de venta aquí.

9 Your Gender | Sexe | Sexe: Male | Masculin | Masculino Female | Femelle | Femenino

We respect your privacy | Nous respectons votre vie privée | Respetamos su privacidad

If you prefer not to receive special offers and promotions from Char-Broil, please check here:

Si vous préférez recevoir des offres et promotions spéciales de Char-Broil, veuillez vérifier ici:

Si estás buscando un lugar para alojarse en Char-Broil, compruebe aquí.

Grill Purchased: Assembled? Boxed?

Mail to: / Envoyer à: / Correo a:

Char-Broil Warranty Registration

P.O. Box 1240

Columbus, Ga 31902-1240

Thank you for completing this questionnaire | Merci d'avoir rempli ce questionnaire. | Gracias por completar este cuestionario





©2019 Char-Broil, LLC. Columbus, GA, 31904. Printed in China. Imprimé en Chine. Impreso en China.

©2019 Assembly instructions. ©2019 Assemblée des instructions. ©2019 Instrucciones de ensamblado.

The product associated with this guide was manufactured in China. Le produit associé à ce guide a été fabriqué en Chine.
Tel producto asociado con esta guía ha sido fabricado en China.

