

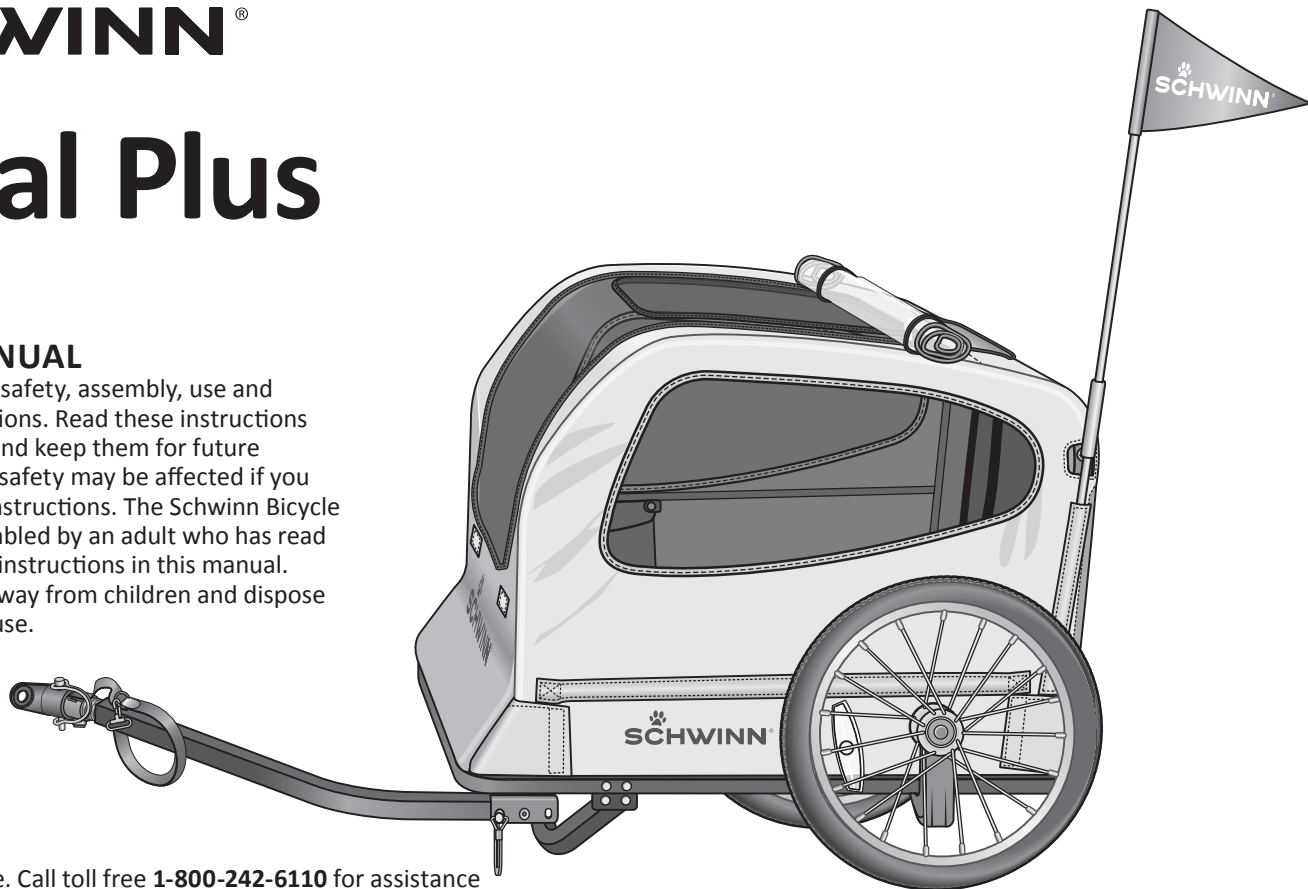
SCHWINN®

Rascal Plus

PET TRAILER

OWNER'S MANUAL

This manual contains safety, assembly, use and maintenance instructions. Read these instructions carefully before use and keep them for future reference. Your pet's safety may be affected if you do not follow these instructions. The Schwinn Bicycle Trailer must be assembled by an adult who has read and understands the instructions in this manual. Keep the packaging away from children and dispose all packaging before use.



Do not return to store. Call toll free **1-800-242-6110** for assistance and replacement parts. **Keep instructions for future reference.**

Thank You

For purchasing the Schwinn Pet Trailer. Enjoy hours of pleasurable exercise and pet-time fun. If you have any questions or comments our customer service hours are:

8:00 AM - 5:00 PM Monday through Friday CST.

You may also reach us through the following:

Web: www.pacific-cycle.com

Email: customerservice@pacific-cycle.com

Mail: P. O. Box 344
4730 E. Radio Tower Lane
Olney, IL 62450

Important!

Do not return the product to the store. Please contact customer service at 1-800-242-6110 for assistance and replacement parts.

Contents

1 SAFETY	1	4 TRAILER ATTACHMENT	12
Assembly	1	Attachment with quick release	14
Safe Riding Warnings	1	Attach the Safety Strap	17
Trailer Use Warnings	2	5 USING THE PET TRAILER	18
Care/Tips/Guidelines	2	6 DISASSEMBLY AND STORAGE	20
2 PARTS AND FEATURES	3	7 MAINTENANCE AND PARTS	23
3 ASSEMBLY	4	Care	23
Remove the Crossbar Bracket	4	Accessories	23
Unfold the Frame	5	8 WARRANTY	24
Attach the Crossbar Latch	6		
Connect the Crossbar to the Frame	6		
Attach the corner Flaps	7		
Extend the Tow Bar	7		
Attach the Axle	8		
Attach the wheels	10		
Insert the safety Flag	11		

1 Safety

WARNING!

FAILURE TO FOLLOW THE SAFETY INSTRUCTIONS LISTED BELOW MAY RESULT IN SERIOUS INJURY OR DEATH. Always read and understand the information and warnings in this manual before using the Bicycle Trailer.

If you are unsure of any information in this manual or have a question regarding assembly or use please call customer service. Always keep this manual for reference and include it with resale of the Bicycle Trailer.

ASSEMBLY

- An adult who has read and understands the information and warnings in the manual shall assemble this product according to manufacturer's instructions.
- Do not use the product if there are any missing or damaged parts. Do not return the product to the store. Please contact customer service at **1-800-242-6110** for assistance and replacement parts.
- Dispose of all plastic bags and wrapping material immediately.
- Check the assembly (i.e.: crossbar locked, screws tight) before using the product.
- Never allow children to assemble, fold, or disassemble the trailer.

SAFE RIDING WARNINGS

- Weight limit is 100 lbs. Do not carry pet exceeding 50 lbs, as the extra weight and height will increase the center of gravity, increasing the risk of tip over
- Do not carry an excitable pet. If pet becomes agitated, cease riding and tend to them
- Do not carry more than one pet at a time as there is only one leash tether
- Never leave your pet unattended
- Make sure the pet safety strap is properly adjusted, according to the size of the pet, to keep the pet secure in the trailer but with enough room to adjust position
- Never carry humans in this trailer
- Always make sure zippered pet door is fully closed before riding
- Never tow trailer with any motorized vehicle
- Inspect and maintain the bicycle trailer regularly, before each use. Ensure trailer hitch is properly attached and secure prior to riding
- Make sure the tow bar safety strap is properly secured for additional safety

⚠ WARNING!

- Riding with this trailer increases your turning radius. Be sure to allow for extra clearance around curbs, signs, cars, and other obstacles. Practice riding with the trailer without a pet first to get comfortable with the adjustment of riding with a trailer
- Avoid riding with the trailer on icy or slippery terrain, or when inclement weather makes bicycling unsafe
- Avoid riding on sloped terrain, with wheels perpendicular to the slope. Doing so may increase the likelihood of the trailer tipping.
- Do not make any modifications to the trailer.
- Red reflectors must be visible on the rear of the trailer.
- Never ride a bicycle at night without adequate lighting. Obey all local legal requirements for lighting.

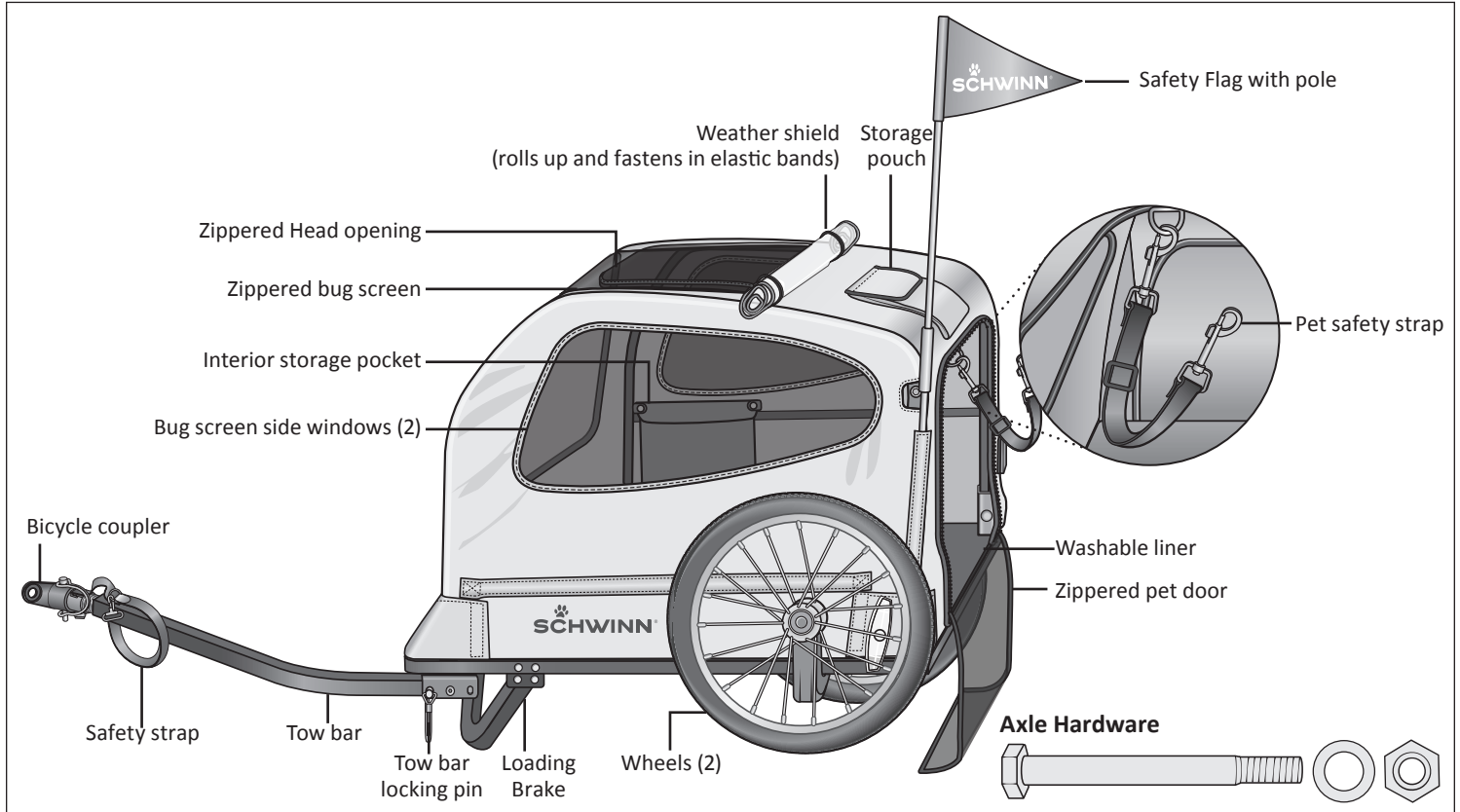
TRAILER USE WARNINGS

- Tires must be properly inflated prior to use. Please refer to the PSI recommendations printed on the tires for proper inflation levels
- Over inflation of tires may result in failure and risk of serious injury. Do not exceed maximum pressure as shown on tires

CARE/TIPS/GUIDELINES

- Practice riding with the trailer without a pet first to get comfortable with the adjustment of riding with a trailer
- Material is not weather resistant. Pet may get wet if used during precipitation
- Do not leave trailer outside after use. Inclement weather and harsh elements may stress the fabric on the trailer
- Removable/washable liner must be properly placed to assist in the pet's traction
- If pet seems uncomfortable, adding a blanket or pet bed to the base may help with pet's comfort level
- We recommend using a harness on the pet, rather than a collar, to reduce the stress on the pet's neck
- Riding with a trailer will increase your normal braking distance. Make sure to practice braking with the trailer in less trafficked areas.
- To get your pet used to the trailer, introduce them to the trailer before your first ride. Once you and the pet are comfortable, then being practicing with frequent, but shorter rides, in less trafficked areas to limit distraction for you and your pet.
- Weight limit for storage pouch is 1lb. We do not recommend using this storage pouch for phones and/or other valuable items, as uneven terrain can cause items to potentially bounce out of the pouch
- Zippered bug screens and weather screen can be rolled up (fastened with elastic bands) or rolled down, depending on riding conditions.

2 Parts and Features



3 Assembly

⚠ WARNING!

- There are pinch points between the sidewalls and the frame of the trailer that may cause injury. Fold or unfold the trailer slowly using caution.
- Keep children clear when folding or unfolding the trailer.
- Ensure that all locking devices are engaged before use.

- 1 Cut the ziptie holding the axle to the frame. Keep the axle close-by as you will need it for the frame assembly. **Figure 3.1**

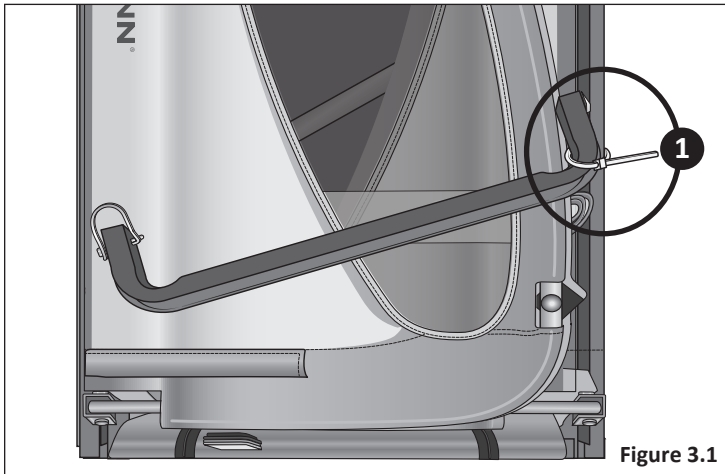


Figure 3.1

REMOVE THE CROSSBAR BRACKET

IMPORTANT! Before unfolding the frame, remove the crossbar bracket from the end of the crossbar.

- 2 Press the tab on the crossbar and remove the latch from the end of the crossbar.
- 3 Using a 4 mm hex wrench, remove the bolt from the end of the bracket. Keep the bracket and the bolt close-by as you will need them for the frame assembly. **Figure 3.2**

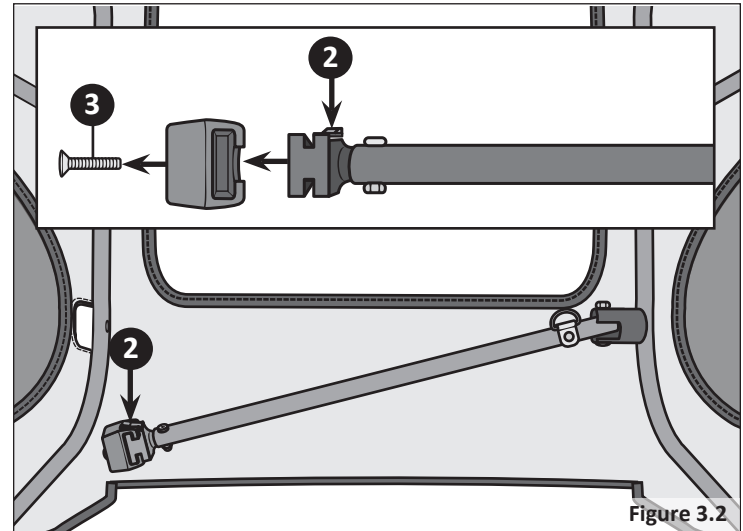


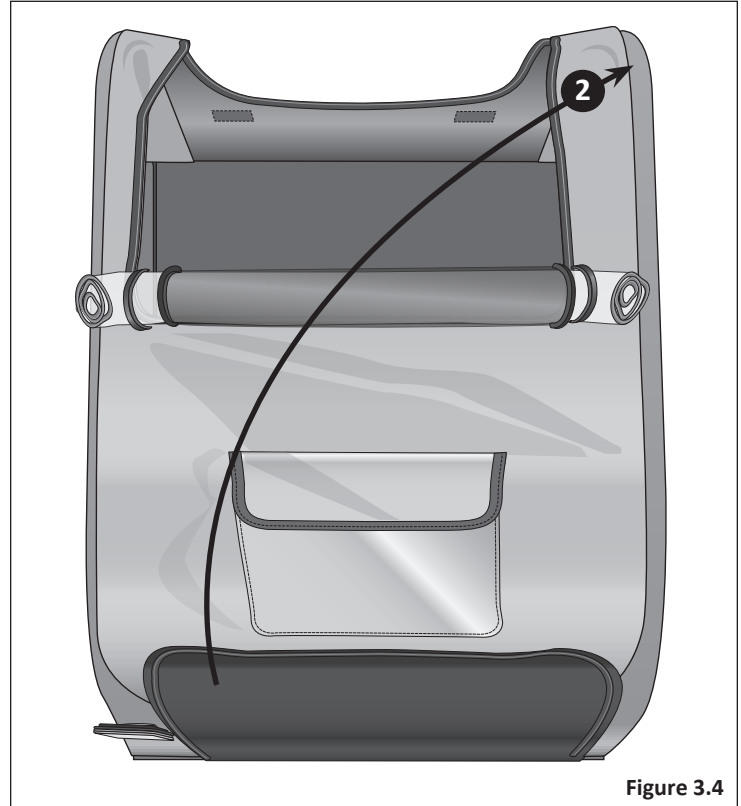
Figure 3.2

UNFOLD THE FRAME

❶ Lift the *left* side wall up into a vertical position. **Figure 3.3**



❷ Lift the *right* side wall up into a vertical position. **Figure 3.4**



ATTACH THE CROSSBAR LATCH

TIP! To perform this step it may be easier to place the trailer on its back side with the front side facing up.

- 1 Working from the interior of the trailer, align the hole of the crossbar latch with the hole in the frame (located in the rear left corner of the trailer).
 - 2 Insert the bolt through the frame and into the latch. Tighten the bolt using a 4 mm hex wrench. **TIP! There will be a cutout in the fabric wall where the bolt will be inserted.**
- Figure 3.5

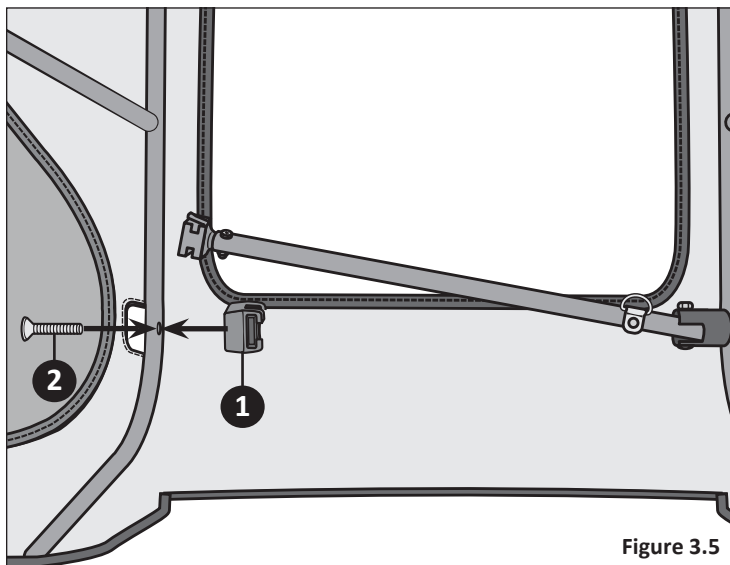


Figure 3.5

CONNECT THE CROSSBAR TO THE FRAME

- 3 Rotate the crossbar until it locks into the crossbar latch. Be sure the cross bar is not caught by the fabric. **Figure 3.6**

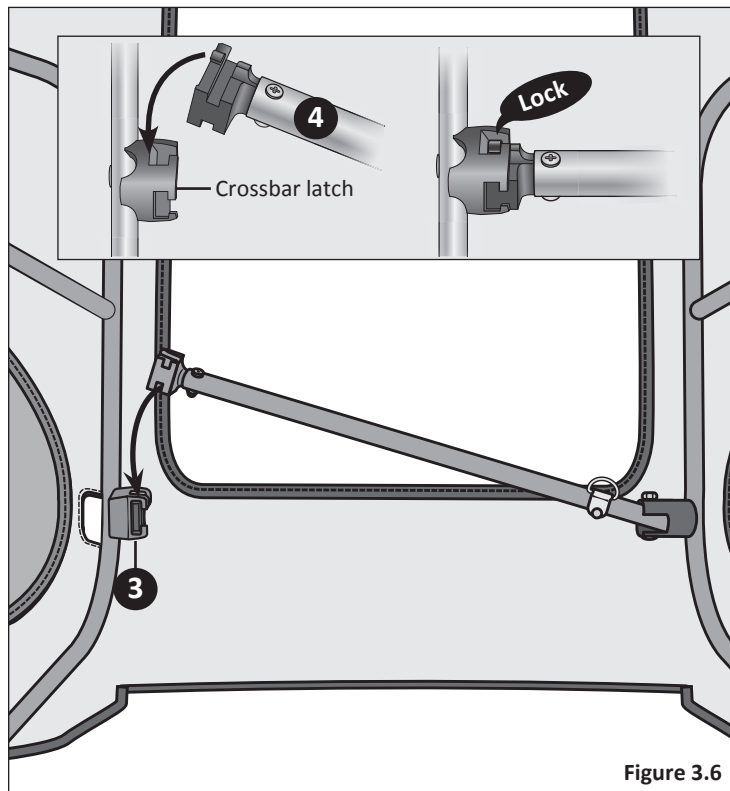


Figure 3.6

ATTACH THE CORNER FLAPS

- 1 Fold the corner flaps (located on each corner) over and fasten with the hook and loop fasteners.
- 2 Unroll the zippered bug screen and zip closed. Leave the weather shield rolled up into the elastic bands. **Figure 3.7**



Figure 3.7

EXTEND THE TOW BAR

TIP! To perform this step turn the trailer so the back side is flat to the ground, and the front end is facing up.

- 1 Remove the loop from the end of the locking pin, then remove the locking pin from the tow bracket. **Figure 3.8**

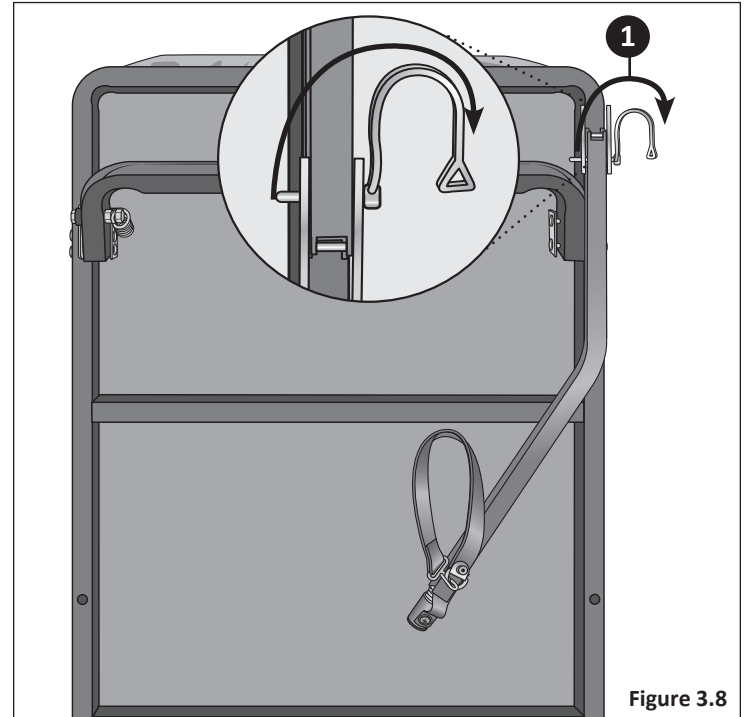
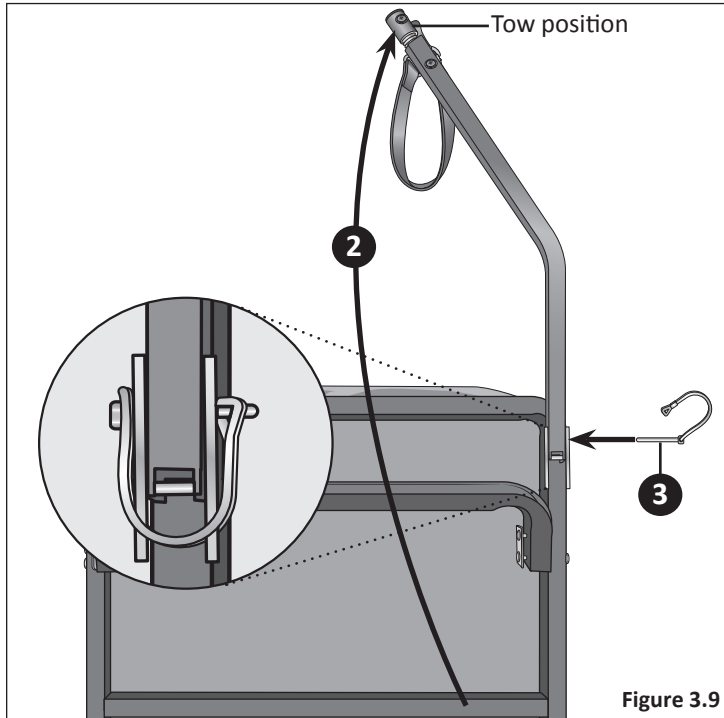


Figure 3.8

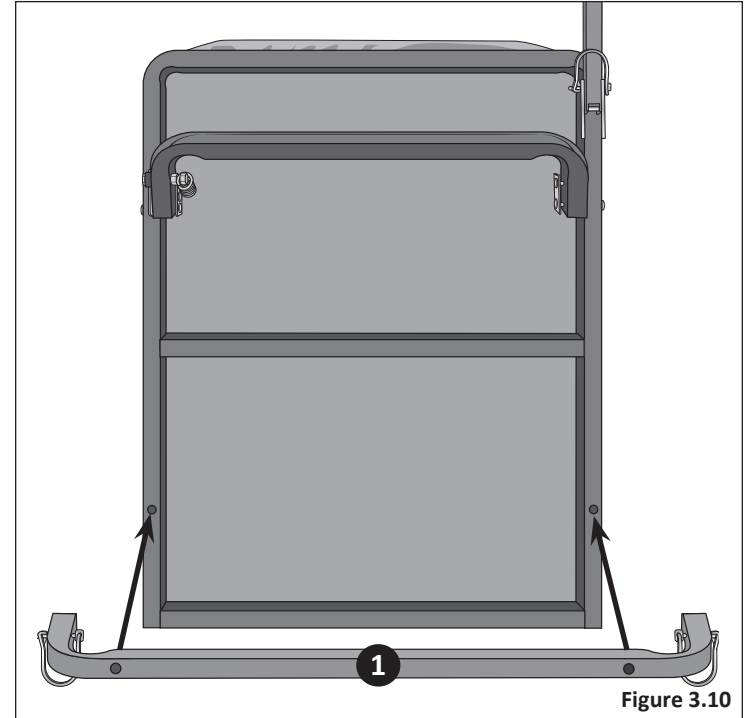
- 2 Holding the end of the tow bar, lift the tow bar and rotate the bar up and over until the tow bar is fully extended into the tow position.
- 3 Re-insert the locking pin through the tow bracket, and lock it by inserting the end of the loop onto the end of the locking pin. **Figure 3.9**



ATTACH THE AXLE

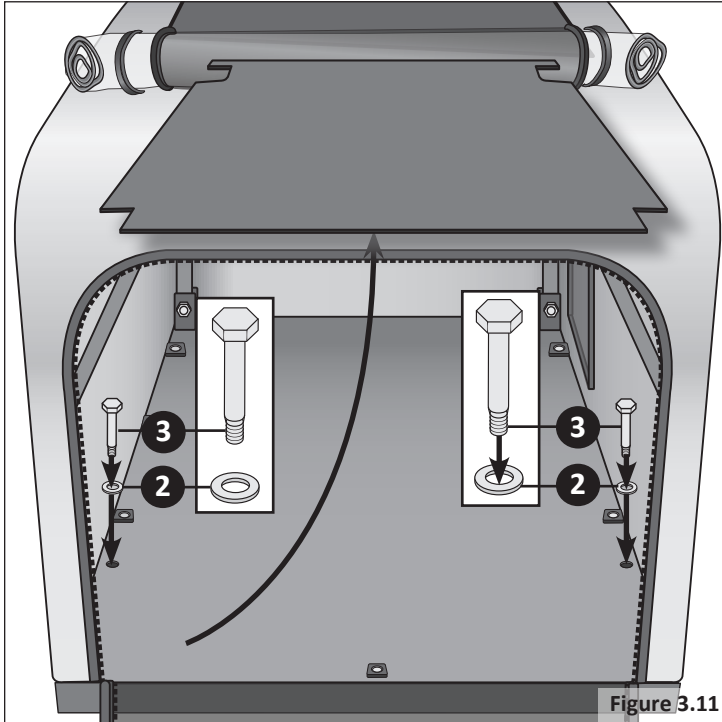
TIP! To perform turn the trailer upside down so the bottom frame is facing up.

- 1 Align the holes in the rear axle with the holes in the bottom of the trailer frame. **Figure 3.10**



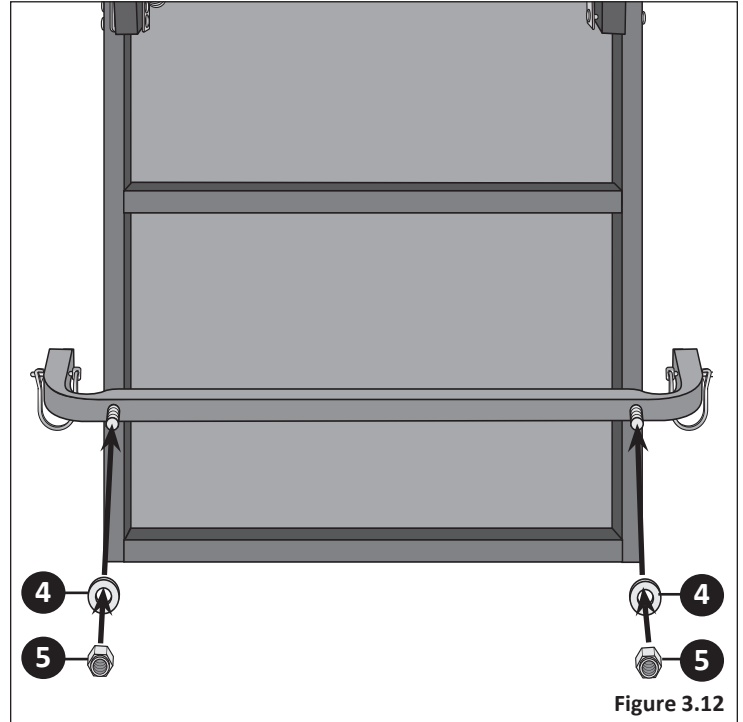
TIP! Remove the protective liner to perform this step.

- 2 Working from the interior of the trailer Insert a washer onto each axle bolt.
- 3 Insert the bolts down through the trailer frame and out through the axle **Figure 3.11**



- 4 Insert the washers over the end of each bolt that has just been inserted in step 3.
- 5 Insert the nuts over each bolt and tighten the bolts using an adjustable wrench. Place the liner back into the trailer.

Figure 3.12

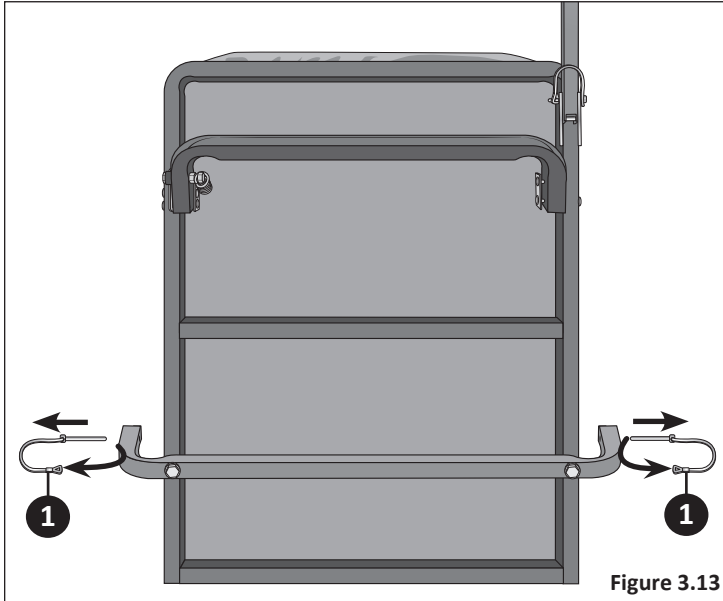


ATTACH THE WHEELS

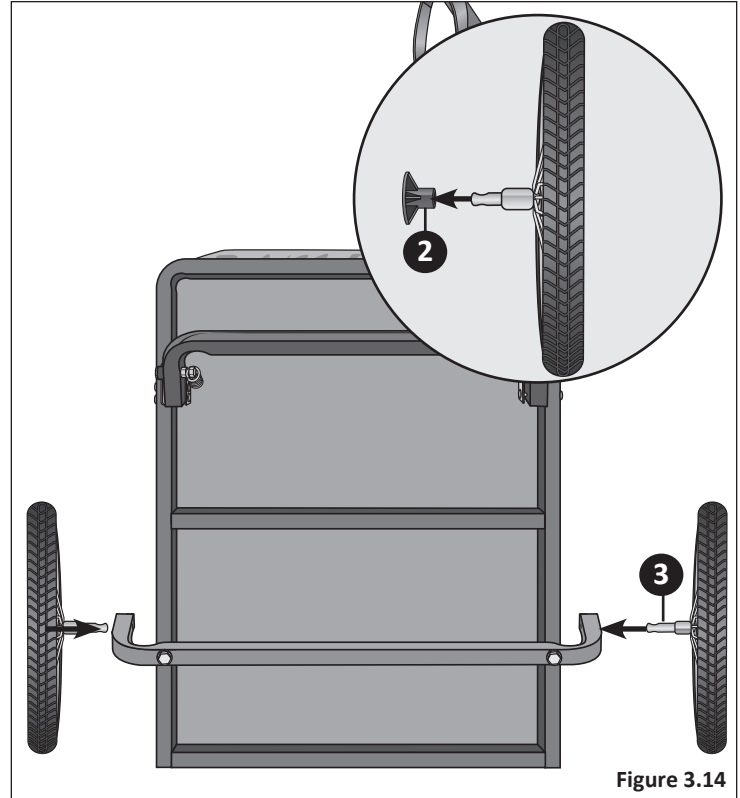
⚠️ WARNING!

Wheels that are not securely locked in place may fall off the trailer and cause serious injury or death. Always check the wheels are securely locked in place before use.

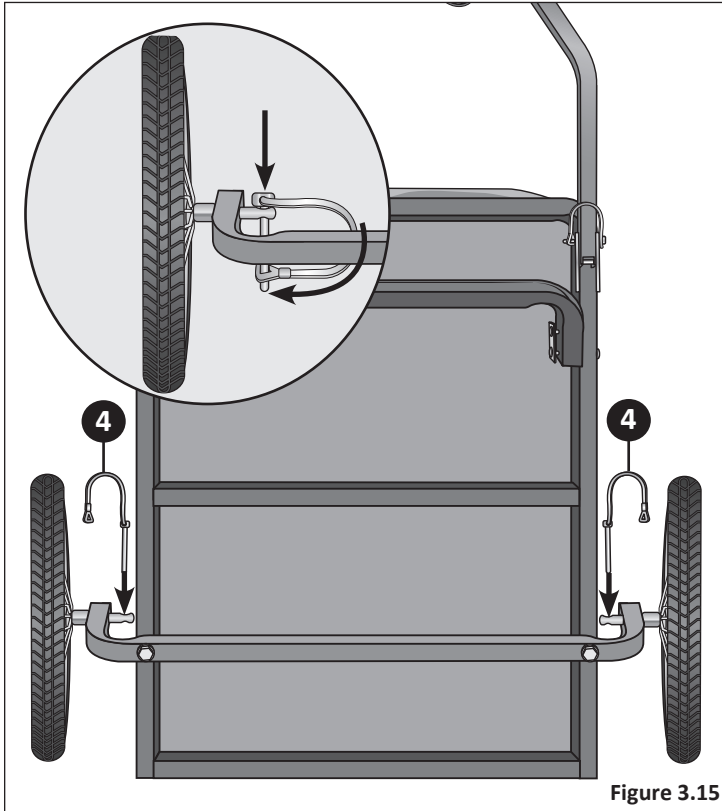
- 1 Remove the loops from the ends of each locking pin, then remove the locking pins from each side of the axle. **Figure 3.13**



- 2 Remove the caps from the ends of the axles.
- 3 Insert the axle of each wheel into the holes located on the sides of the axle frame. **Figure 3.14**



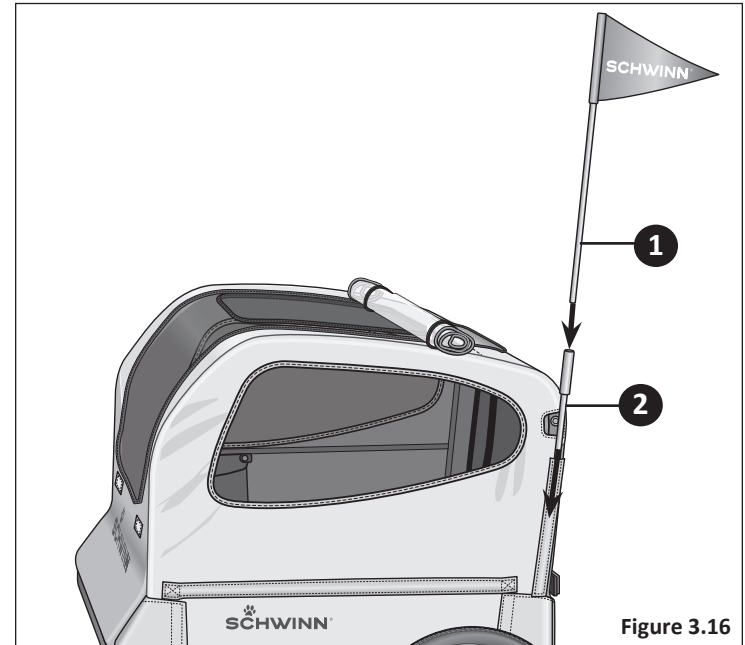
- 4 Insert the locking pin into the hole on the end of the axle and slide the end of the safety loop over the end of the locking pin. Check that the locking pin is securely in place. **Figure 3.15**



INSERT THE SAFETY FLAG

Important! The safety flag is an important safety feature that warns others that a trailer is present and on the bicycle. Always have the safety flag on the trailer when in use.

- 1 Insert the top half of the pole into the opening of the bottom half of the pole.
- 2 Insert the flag pole into the flag pole sleeve. **Figure 3.16**



4 Trailer Attachment

⚠ WARNING!

Use of the trailer without the safety strap attached to the bicycle may result in serious injury or death. Always attach the safety strap to the bicycle when using the trailer.

Important! This section provides instructions for attaching the trailer coupler to the bicycle's REAR WHEEL with a hub nut or quick release lever. The coupler attaches to *most* bicycles.

- 1 To ensure secure attachment of the coupler to the bicycle, be sure the thread of the *rear axle* extends at least 2 mm's from the hub nut *before* proceeding to the next step. **Figure 4.1**
- 2 Using a wrench, remove the hub nut and washer from the bicycle's back wheel. **Figure 4.2**
- 3 Place the tab washer on the axle. Fit the tab into the slot on the bicycle frame dropout. Note: If your bicycle frame doesn't have a slot in the drop out, rotate the tab to fit into the axle slot. **Figure 4.3**

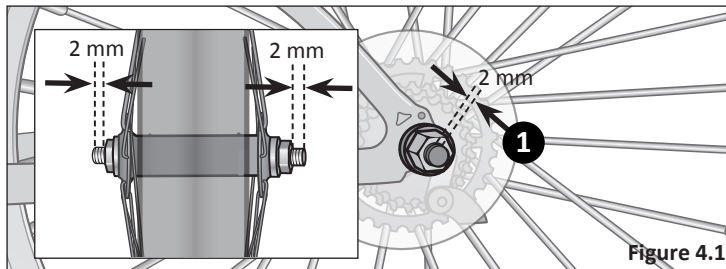


Figure 4.1

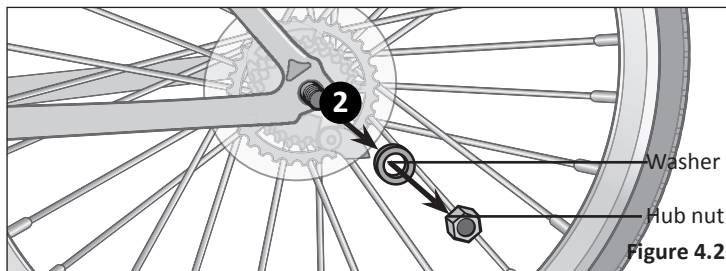


Figure 4.2

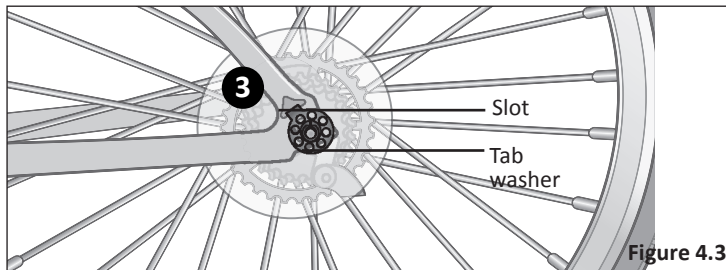
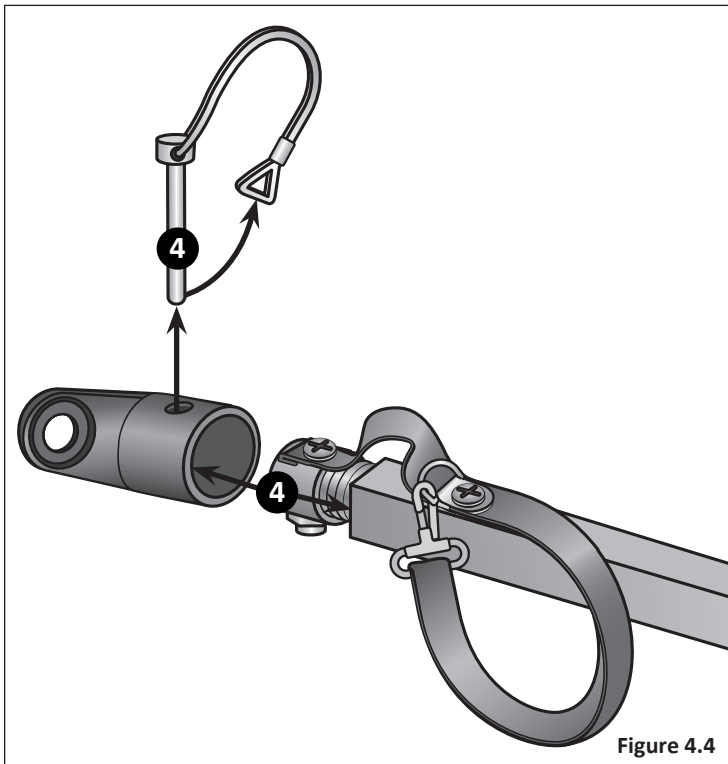
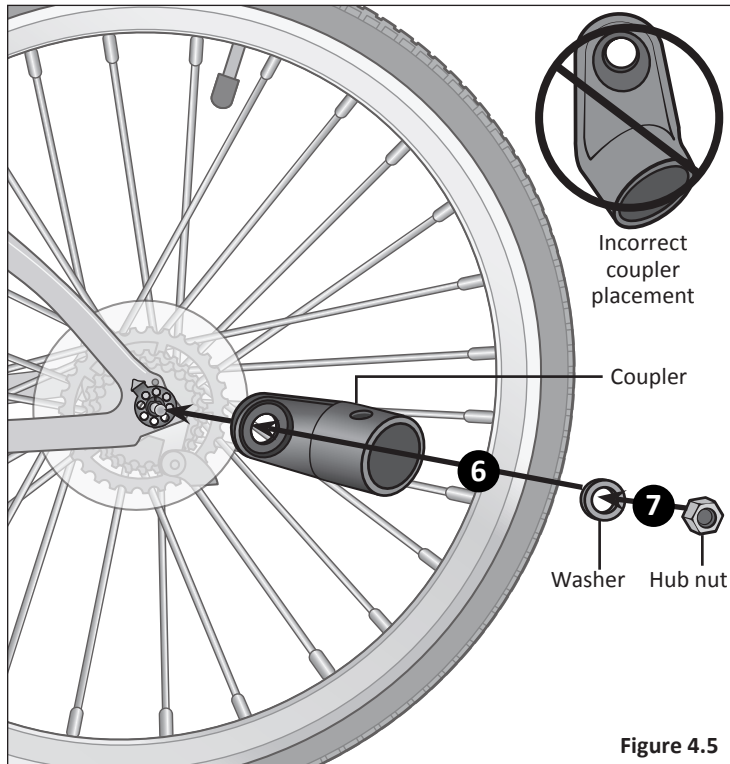


Figure 4.3

- 4 Remove the safety loop from the end of the locking pin on the end of the coupler. **Figure 4.4**
- 5 Remove the locking pin from the coupler and slide the coupler off the end of the tow bar.



- 6 Insert the coupler plate onto the wheel axle. Place the coupler in a horizontal position so that it is in line with the tow bar.
- 7 Place the hub nut and washer back onto the axle and tighten. **Figure 4.5**

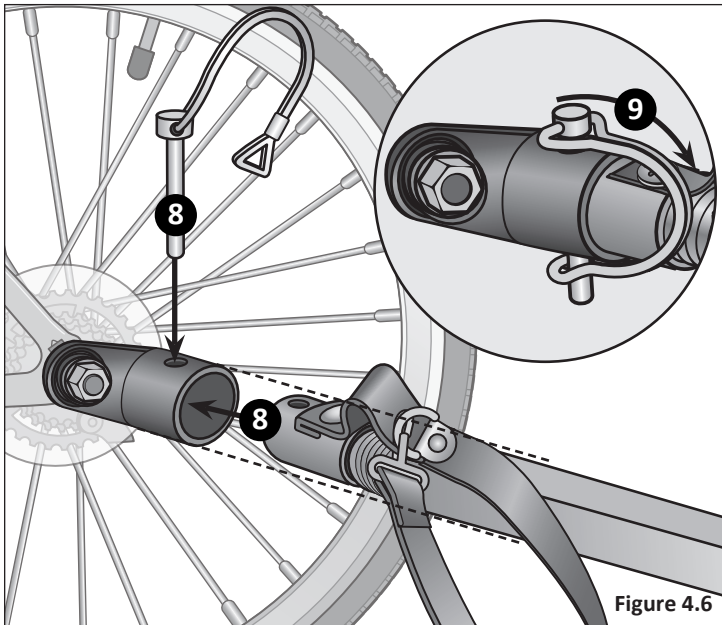


- 8 Slide the tow bar into the open end of the coupler.

Important! Ensure the coupler is completely in line with the tow bar. This reduces stress on the tow bar.

- 9 Insert the locking pin into the hole on the top of the coupler. Slide the safety loop over the end of the lock pin.

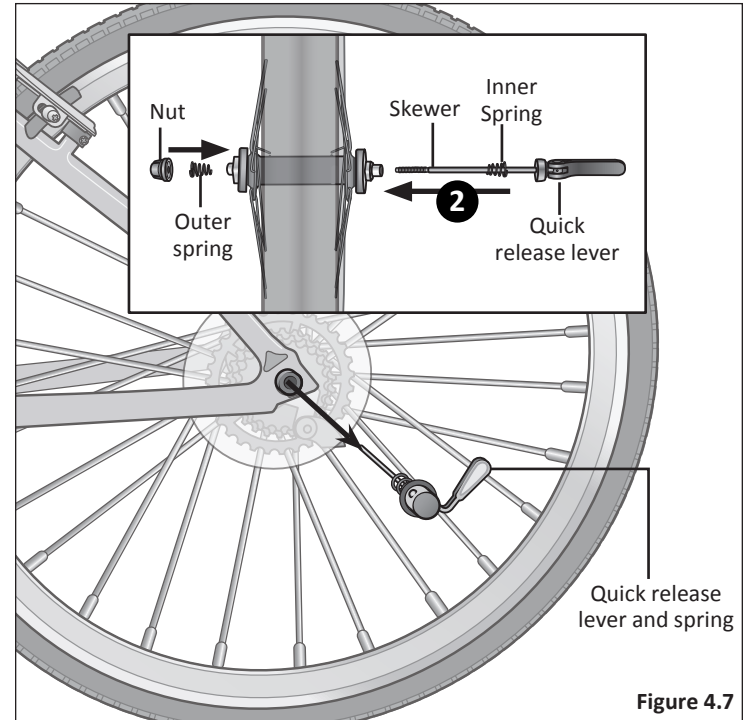
Important! Ensure the loop of the safety pin is facing away from the wheel to prevent possible friction against the wheel and spokes of the bicycle. **Figure 4.6**



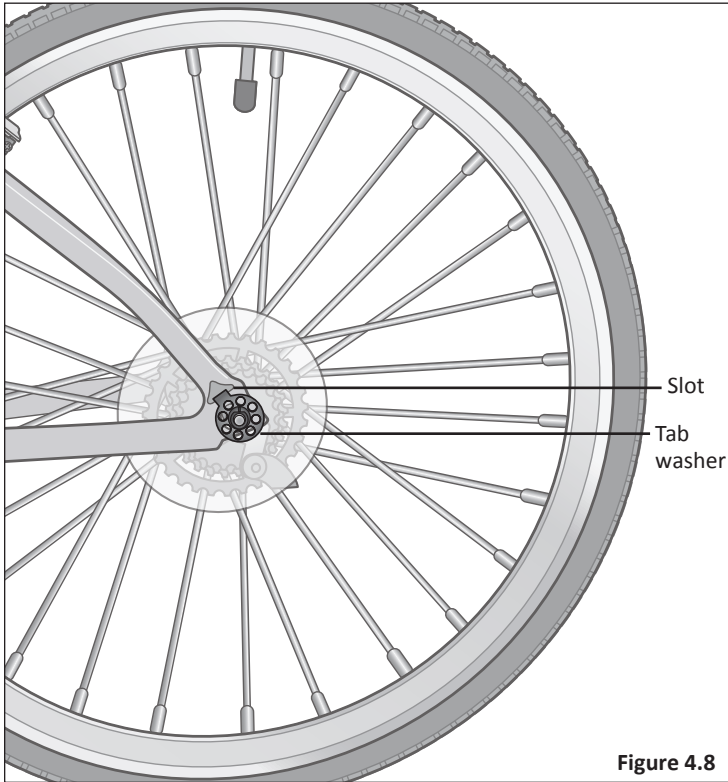
ATTACHMENT WITH QUICK RELEASE

- 1 Release the quick release lever, skewer and remove the nut and spring from the opposite side of the wheel.
- 2 Remove the axle skewer and spring. Leave the wheel in place.

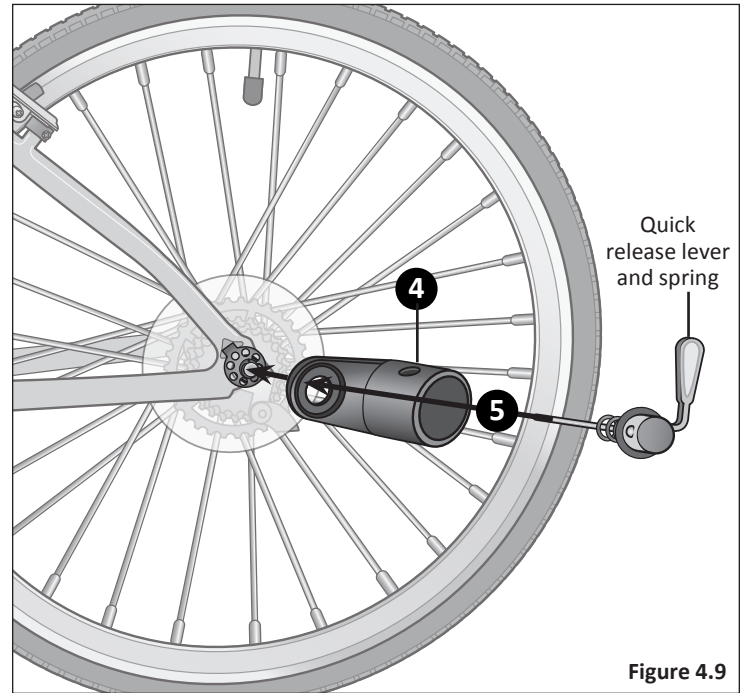
Figure 4.7



- 3 Place the tab washer on the axle. Fit the tab into the slot on the bicycle frame dropout. **Note:** If your bicycle frame doesn't have a slot in the drop out, rotate the tab to fit into the axle slot. **Figure 4.8**



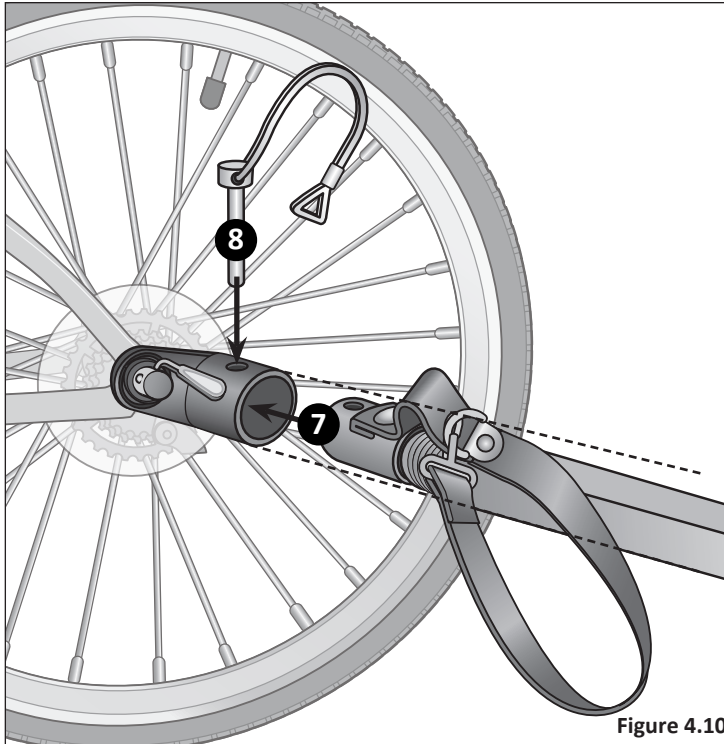
- 4 Insert the coupler plate onto the wheel axle. **Figure 4.9**
- 5 Insert the quick release lever, spring and nut that were removed in step 1 through the wheel.
- 6 Rotate the quick release lever up and tighten. When properly tightened, the quick release lever should leave an imprint in your hand. The pressure should be firm but not excessive.



- 7 Slide the tow bar into the open end of the coupler.

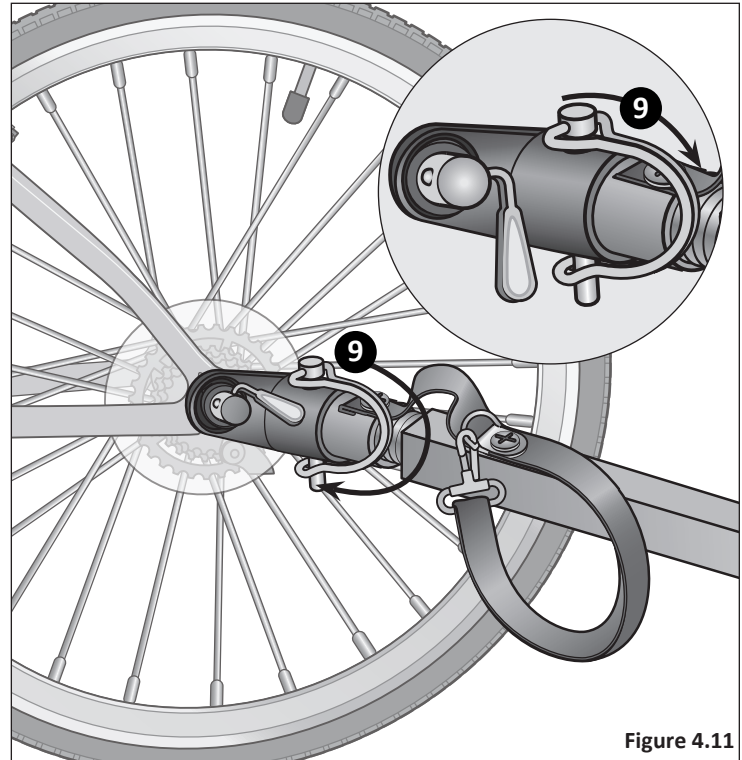
Important! Ensure the coupler is completely in line with the tow bar. This reduces stress on the tow bar. **Figure 4.10**

- 8 Insert the locking pin into the hole on the top of the coupler.



- 9 Slide the safety loop over the end of the lock pin. **Figure 4.11**

Important! Ensure the loop of the safety pin is facing away from the wheel to prevent possible friction against the wheel and spokes of the bicycle.

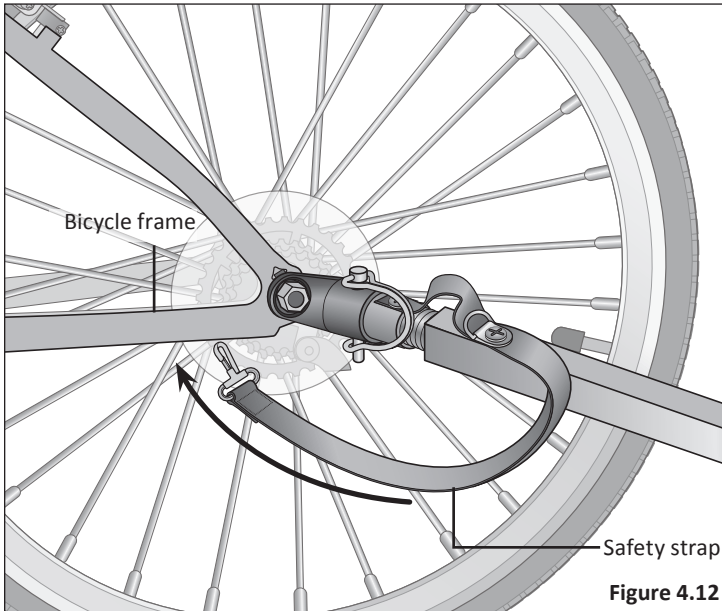


ATTACH THE SAFETY STRAP

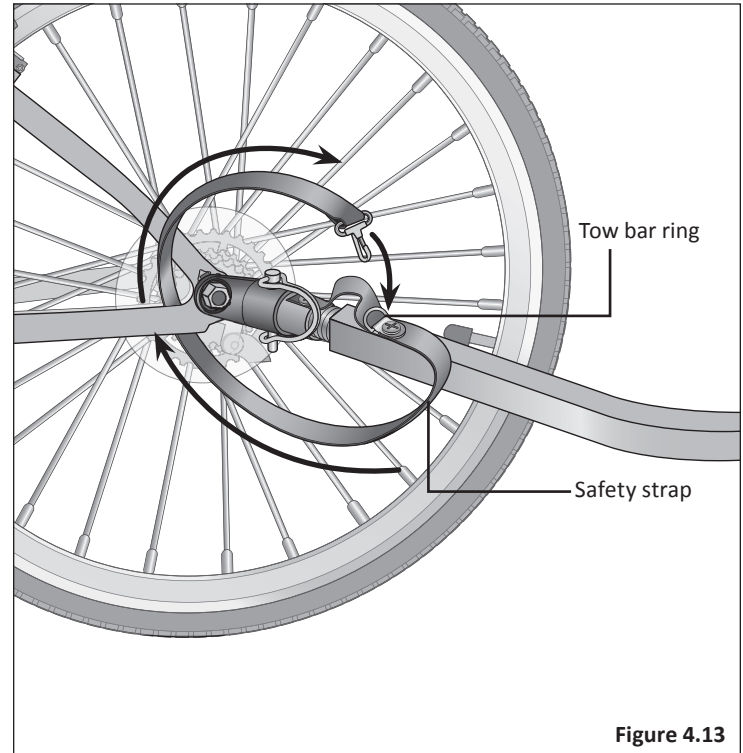
⚠ WARNING!

Use of the trailer without the safety strap attached to the bicycle may result in serious injury or death. Always attach the tow bar safety strap to the bicycle when using the trailer.

- 1** Wrap the tow bar safety strap around the bicycle frame.
Figure 4.12



- 2** Clip the safety strap to the tow bar ring on the end of the tow bar. Be sure the tow bar safety strap is securely attached before using the trailer. **Figure 4.13**



5 Using the Pet Trailer

⚠ WARNING!

- Avoid serious injury to your pet from falling or sliding out. Always properly secure the pet with the safety harness.
- Never leave your pet unattended in or near the bicycle trailer.

We recommend:

- That the pet safety strap is attached to the pet's harness *before* the pet enters the trailer
 - Keep the bug screen zipped shut until the rider is confident the pet will not try to exit the trailer while in use
 - Using a harness on the pet, rather than a collar, to reduce stress on the pet's neck
 - If your pet seems uncomfortable, adding a blanket or pet bed to the base may help with pet's comfort level
 - To get your pet used to the trailer, practice with frequent but shorter rides, in less trafficked areas to limit distraction for you and the pet
- 1 Engage the loading break *before* loading the pet by rotating the brake by hand, towards front of trailer. Be sure the loading brake is disengaged before riding. **Figure 5.1**
 - 2 Pull the pet safety strap back through the pet door and clip it to the pet's harness. **Figure 5.2**

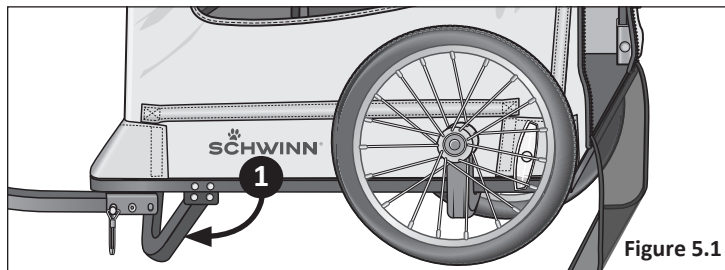


Figure 5.1

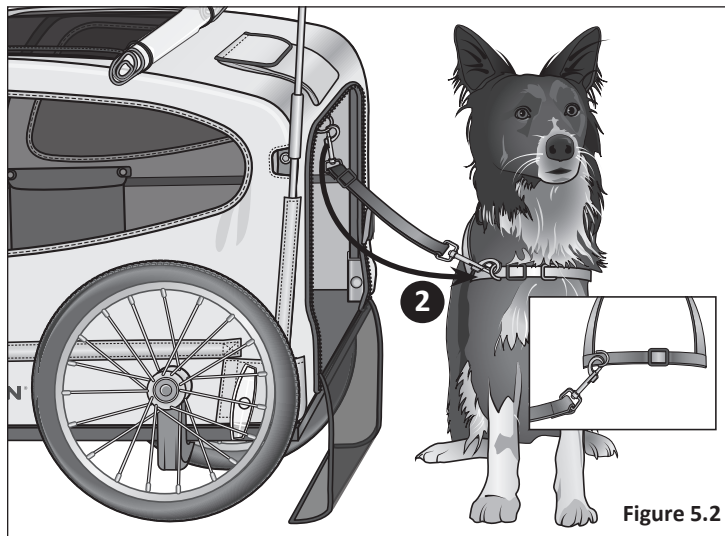
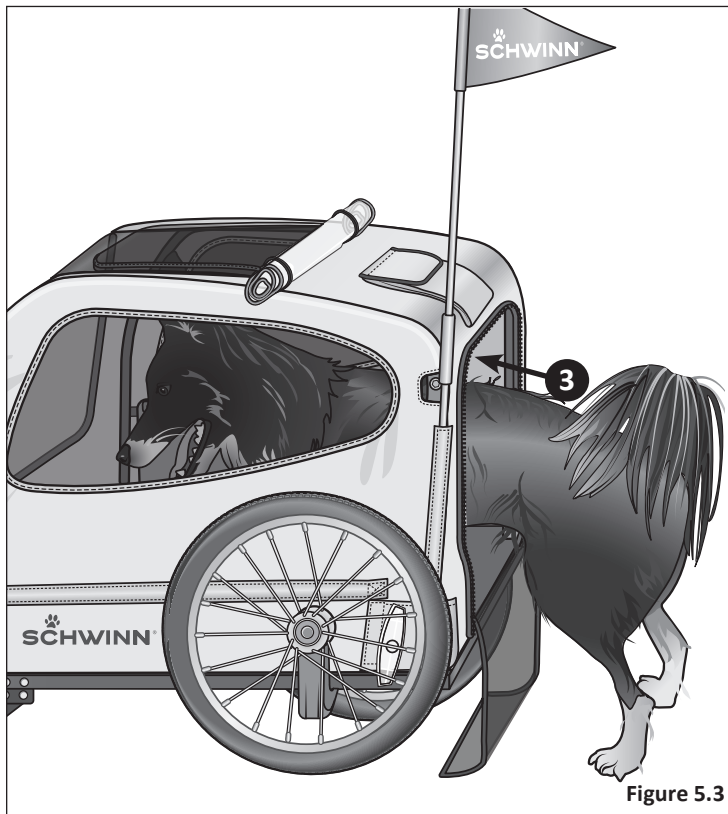
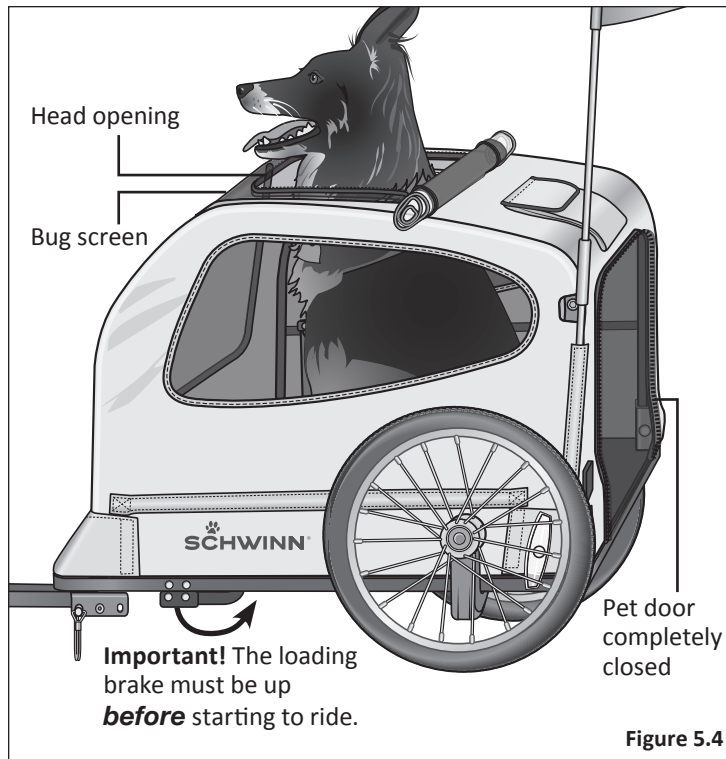


Figure 5.2

- 3** Guide the pet through the pet door.
Note: Removable/washable liner must be properly placed to assist in the pet's traction **Figure 5.3**



- 4** Zip the pet door completely closed. Once your pet is safely secured in the trailer, the rider can choose to keep the bug screen or head opening zipped shut. This will depend on the dog's size and comfort. Roll back and secure screens with the elastic straps. **Figure 5.4**

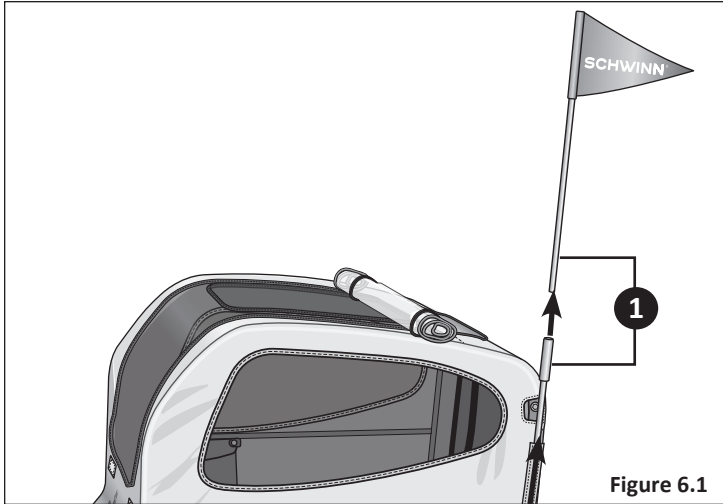


6 Disassembly and Storage

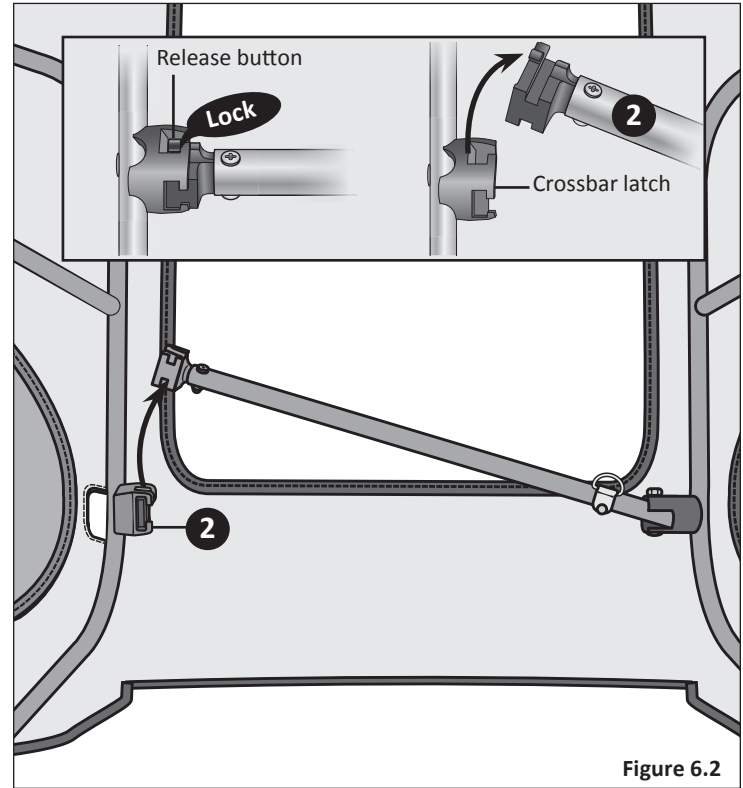
⚠ WARNING!

- There are pinch points between the sidewalls and the frame of the trailer that may cause injury.
- Always fold or unfold the trailer slowly and with caution.
- Keep children clear when folding or unfolding the trailer.

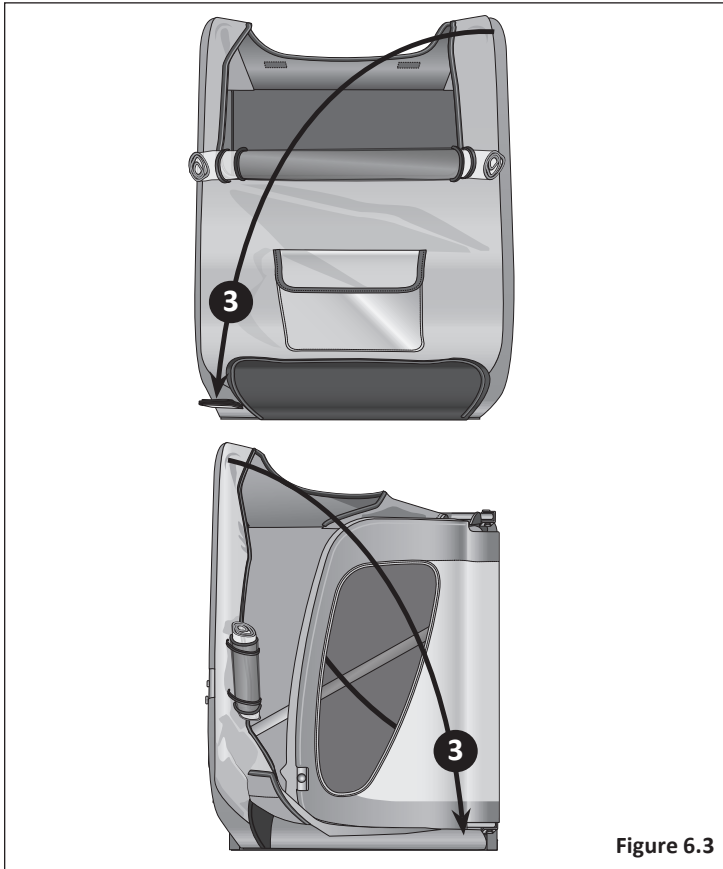
- 1 Remove the flag pole and separate the flag pole sections. **Figure 6.1**



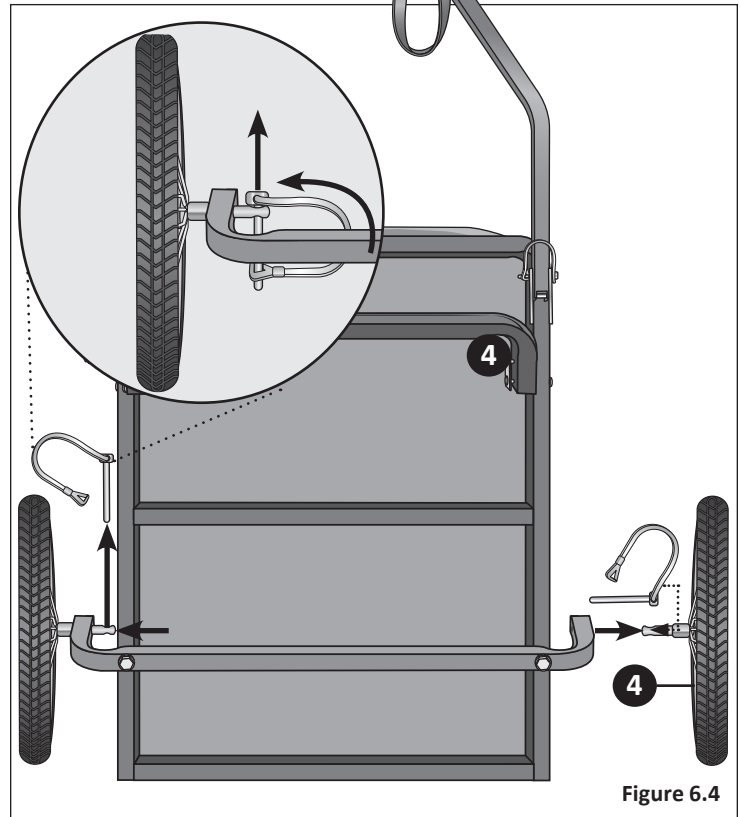
- 2 Release the crossbar by pressing the crossbar lock. **Figure 6.2**



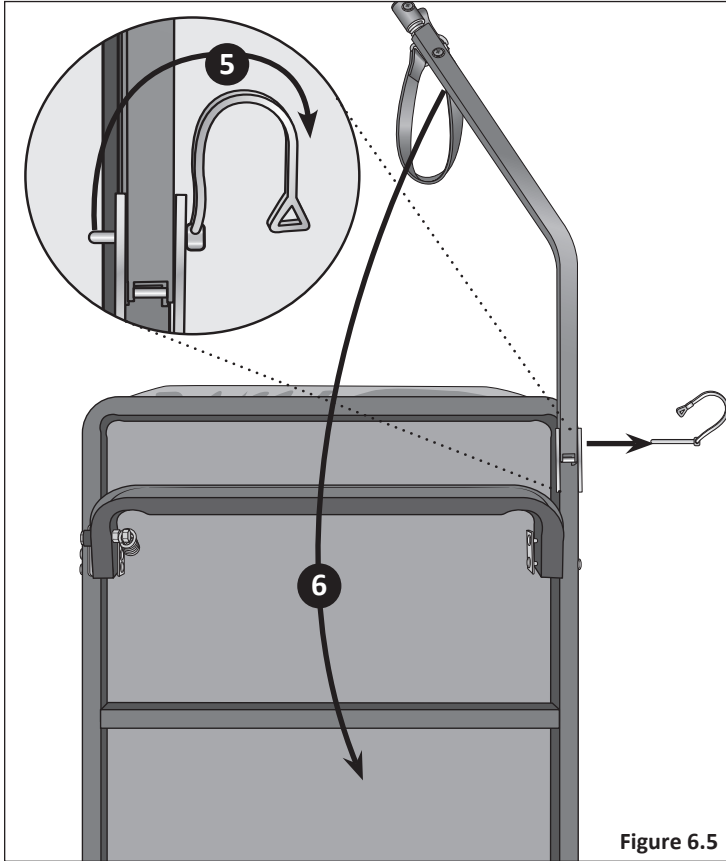
- 3 Fold the left and right walls down. **Figure 6.3**



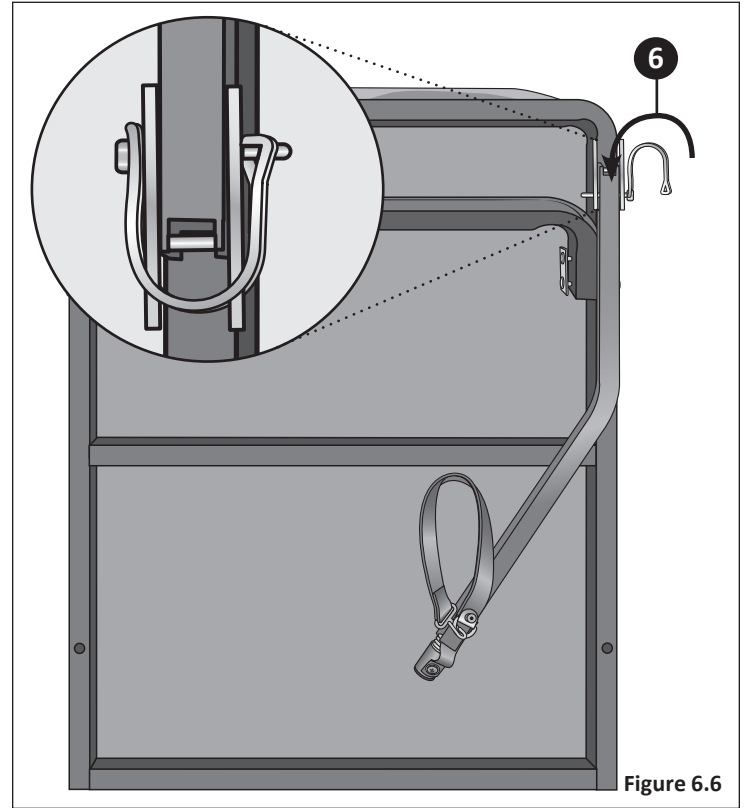
- 4 Remove the locking pins from the wheels. Pull the wheels out of the trailer frame. Re-insert the locking pin back into the axle and lock them. **Figure 6.4**



- 5 Remove the locking pin from the tow bracket. **Figure 6.5**



- 6 Rotate the tow bar back into the frame. Insert the locking pin through the tow bar and frame. Secure the safety loop over the end of the locking pin. **Figure 6.6**



7 Maintenance and Parts

CARE

- **To clean the trailer:** use only mild soap and water. Do not use cleaning solvents.
- **Routinely check** that all fasteners and equipment (wheels, reflectors, flag, etc) are tight and properly assembled.
- **Check the tire pressure often.** The recommended tire pressure range is printed on the tire. Only use a foot or hand pump to inflate.
- **Have a qualified bicycle mechanic** perform routine safety checks on your bicycle before using with the trailer.
- **Routine bicycle maintenance** is recommended to be performed every year.

ACCESSORIES

- 1pc Trailer coupler
- 1pc Tab Washer
- 1pc Locking Pin

Please direct any accessory (small parts) and warranty inquiries to Pacific Cycle Customer Service at **1-800-242-6110**.

8 Warranty

Pacific Cycle warrants this product to be free of defective materials and workmanship for 1 year from the date of original purchase.

THIS LIMITED WARRANTY IS THE ONLY WARRANTY APPLICABLE TO THIS PRODUCT, AND IS EXPRESSLY IN LIEU OF ANY OTHER WARRANTY. This limited warranty give you specific legal rights and you may also have other rights which may vary from state to state.

This warranty is extended only to the original consumer purchaser for non-commercial use and does not cover tires or tubes, or other wear parts, ordinary wear and tear, abuse, misuse, neglect, theft, or damage due to accident.

PACIFIC CYCLE IS NOT RESPONSIBLE FOR INCIDENTAL OR CONSEQUENTIAL DAMAGES. THIS LIMITED WARRANTY DOES NOT COVER ANY PERSONAL INJURIES, DAMAGE TO, OR, FAILURE OF THE PRODUCT OR ANY OTHER LOSSES DUE TO ACCIDENT, ABUSE, MISUSE, ALTERATION, NEGLIGENCE, NORMAL WEAR AND TEAR, IMPROPER ASSEMBLY, IMPROPER FIT, IMPROPER MAINTENANCE OR USE OF UNAUTHORIZED REPLACEMENT PARTS NOT DESIGNED FOR THE PRODUCT.

To make a claim under warranty, notification of such defect must be given to Pacific Cycle, Inc. at 1-800-242-6110. You will be instructed on how the product or part needing replacement should be shipped, postpaid, to Pacific Cycle, Inc.

SCHWINN®

Manufactured for Pacific Cycle, Inc (A Division of Dorel Industries)

Pacific Cycle, Inc.
4902 Hammersley Road
Madison, WI 53711

©2017 Pacific Cycle, Inc.

Schwinn® is a registered trademark of Pacific Cycle, Inc.

Made in China · Printed 2017