

Operator's Manual



HP21 Pellet Stove

WWW.COMFORTBILT.NET

TABLE OF CONTENTS

Safety Precautions.....	3-6
Introduction and Pellets.....	7
Safety and Other Features.....	8
Specifications.....	9
Installation and Placement.....	10
Floor Protection Requirements.....	10
Clearances to Combustibles.....	11
Stove Venting.....	12-14
Outside Air Connection.....	15
Mobile Home Installation.....	15
Stove Venting Examples.....	16-21
Controller Operations.....	22-23
Pre-Operation.....	24
Startup and Operation Modes.....	25
Setting Data on Controller.....	26-28
Diagnostics.....	29
Maintenance and Care.....	30-32
Troubleshooting & Warranty.....	33



WARNING



Please read this entire manual before installation or use of this pellet fuel-burning room heater. Failure to follow these instructions may result in property damage, bodily injury, or even death.

- Do not store or use gasoline or other flammable vapors and liquids in the vicinity of this or any other appliance
- Do not overheat - If any external component starts to glow, the stove is overheating. Reduce the feed rate as over-firing will void the warranty
- Comply with all minimum clearances to combustibles as specified. Failure to comply may cause a house fire.

CAUTION

Check building codes prior to installation. Contact the regulating authority prior to installation to determine the need for a permit.

- Installation must comply with local, regional, state, and national codes and regulations.
- Consult local building or fire officials about restrictions or inspection requirements in your area.



WARNING



HOT! Do not touch. Severe burns and/or the ignition of clothing may occur. Glass and other surfaces are hot during operation and cool down.

- Keep children away
- Carefully supervise children in same room as appliance.
- Do not operate without protective barriers in place.
- Keep clothing, furniture, draperies, and other flammable materials away.



CAUTION DO NOT DISCARD!

- Important operating and maintenance instructions included.
- Read, understand, and follow these instructions for safe installation and operation.
- This manual is to be left with the party responsible for use and operation.

WARNINGS AND SAFETY PRECAUTIONS

Please read this section carefully.

Operate the stove according to the safety instructions and recommendations outlined here and inserted throughout the text. Anyone who uses this stove must read the instructions and be familiar with the controls

OWNER'S RESPONSIBILITY

Proper assembly, safety, and use of the stove is the owner's responsibility.

- Read and follow all safety instructions.
- Carefully follow all assembly instructions.
- Maintain the stove according to the directions and schedule provided within this operator's manual.
- Ensure that anyone who operates the stove is familiar with all controls and safety precautions.

SPECIAL MESSAGES

This Manual contains special messages to bring attention to potential safety and product damaging concerns, as well as helpful operating and servicing information. Please read all of the information carefully to avoid potential injury and stove damage.

NOTE: *General information is given throughout the manual that may aid in the operation or service of the stove.*

IMPORTANT SAFETY PRECAUTIONS



This symbol points out important safety instructions which, if not followed, could endanger your personal safety. Read and follow all instructions in this manual before attempting to operate this equipment.



DANGER

Indicates a serious injury or fatality WILL result if the safety instructions that follow this signal word are not obeyed.



WARNING

Indicates a serious injury or fatality COULD result if the safety instructions that follow this signal word are not obeyed.

CAUTION

Indicates minor or moderate injury to you or your property COULD result if the safety instructions that follow this signal word are not obeyed.

IMPORTANT

Indicates helpful information for proper assembly, operation, or maintenance of your equipment.



You must read, understand, and comply with all safety and operating instructions in this manual before attempting to setup and operate your stove. Failure to comply with all safety and operating instructions can result in serious personal injury to you and/or bystanders, and/or property damage.



WARNING

- Read this entire manual before you install and use your new pellet stove. Failure to follow instructions may result in property damage, bodily injury, or even death.
- Children and adults should be alerted to the hazards of high surface temperatures and should avoid contact to skin and/or clothing.
- Young children should be carefully supervised when they are in the same room as the stove
- Clothing and other flammable materials should not be placed on or near this unit
- Flammable or explosive liquids such as gasoline, naphtha, alcohol, or engine oil must **NEVER** be used in or around stove. These liquids must be stored in a separate room as the open flame in the fire box could ignite the fumes of such liquids.



WARNING

Proper installation of this stove is necessary for safe and efficient operation. Installing this product improperly may result in a **house fire** and/or **personal injury**.

All applicable building codes for your location must be followed. In areas where building codes require additional steps to the installation of this product not included in this manual, the building codes will take precedence and must be followed. Contact your local building inspector to obtain any necessary permits or inspection guidelines before installing the product.

CAUTION

Burning wood pellets according to recommendations will assure longer stove life and less fuel related problems. The use of grates or other methods of supporting the fuel in this stove is prohibited and will void all warranties.



WARNING

DO NOT

- Burn garbage in this unit. The burning of other solid fuels such as cord wood or wood chips in this stove is not permitted. Any fuels not certified which are burned in this stove will void the warranty
- Route power cord in high traffic areas. A power surge protector plugged into a grounded 230 volt power source is required.
- Install a flue damper in the exhaust venting system of this unit.
- Connect this unit to a chimney flue servicing another appliance
- Install in a sleeping room.
- Connect to any air distribution duct or system.
- Connect directly to a masonry chimney
- Terminate vent in any enclosed or semi-enclosed area, such as; carports, garage, attic, crawl space, under a sun deck or porch, narrow walkway or closed area, or any location that can build up a concentration of fumes such as a stairwell, covered breezeway etc
- **NEVER** touch door latches or heat tube scraper while stove is in operation; they get extremely hot.



WARNING

If the electrical power fails at any time when the stove is hot, keep all stove doors closed. The automatic safety features must not be bypassed.

CAUTION

Tested and approved for pellet fuel. Burning any other type of fuel voids warranty.

CAUTION

All applicable building codes for your location must be followed. In areas where building codes require additional steps to the installation of this product that are not included in this manual, the building codes will take precedence and must be followed. Contact your local building inspector to obtain any necessary permits or inspection guidelines before installing the product.

- Contact local building or fire officials about restrictions and installation inspection requirements in your area
- Contact your local authority (such as municipal building department, fire department, fire prevention bureau, etc.) to determine the need for a permit
- This pellet stove is designed to burn pellet fuel only
- A working smoke detector is required and must be installed in the same room as the stove.
- This stove is not intended for use in commercial applications
- Door and ash pan must be closed and latched during operation
- Notify your insurance company of pellet stove installation
- This installation must conform with local codes. In the absence of local codes you must comply with EN 14785.
- The structural integrity of the manufactured home floor, wall, and ceiling/roof must be maintained.
- Keep combustible materials (such as grass, leaves, etc.) at least three feet away from the flue outlet on the outside of the building.
- This stove should not be used as the only source of heat in the house. Power outages and periodic maintenance will result in a total loss of heat.
- Do not leave hopper door open while unattended.

CAUTION

- Installation and repair of this pellet stove should be done by a qualified service person. The appliance should be inspected before use and at least once per year by a qualified service person. It is imperative that the control compartments, fire box, and circulating air passageways of the stove are kept clean.
- The operation of exhaust fans such as bathroom fans, attic fans, etc... might starve the pellet stove of combustible air, creating a negative pressure in the room. Provide adequate ventilation of the room the stove is installed in, otherwise the pressure switch may shut off operation of the pellet stove.
- The moving parts of this stove are propelled by high torque electric motors. These parts can cause severe damage to body parts that get near them. Keep all body parts away from auger and fans while the stove is plugged into an electrical outlet. Moving parts are subject to begin moving while power is supplied.
- The venting surfaces can become hot enough to cause burns if touched. Non combustible shielding or guards may be required.
- Install all venting at the clearances specified by the vent manufacturer. All venting joints, whether vertical or horizontal, should be made gas-tight with recommended sealants specified by vent manufacturer.
- According to HUD (Housing & Urban Development) requirements, when installing within a mobile home, this stove must be grounded directly to the steel chassis of the mobile home, and bolted to the floor. Direct air access must be provided by way of a fresh air intake kit.
- For use in the United States and Canada.
- Approved for installation in mobile homes.
- Producer of this appliance reserves the right to alter its products, specifications, and/or price without notice.

INTRODUCTION

Congratulations on your investment in quality. We have worked hard to ensure that this pellet stove meets the highest standards for usability and durability. With proper care, your stove will provide many years of dependable service. Please read entire manual before installation and use.

Complies with the ASTM E1509, (UM) 84-HUD, ULC/ORD-C-1482.

U.S. Environmental Protection Agency Certified to comply with 2020 particulate emission standards using pellet fuel.

BURNING PELLET FUEL

Ashes need to be removed from the stove periodically. See Normal Care & Maintenance section for cleaning procedures.

Due to the nature of pellet fuels, this stove will require attention periodically. Regular cleaning is an important part of burning pellet fuel.

Do Not Burn:

1. Garbage
2. Lawn clippings or yard waste.
3. Materials containing rubber, including tires.
4. Materials containing plastic.
5. Waste petroleum products, paints or paint thinners, or asphalt products.
6. Materials containing asbestos.
7. Construction or demolition debris.
8. Railroad ties, or pressure-treated wood.
9. Manure or animal remains
10. Paper products, cardboard, plywood, or particleboard. The prohibition against using these materials does not prohibit the use of fire starters made from paper, cardboard, saw dust, wax and similar substances for the purpose of starting a fire in an affected wood heater.

Burning these materials may result in the release of toxic fumes or render the heater ineffective and cause smoke.

PELLETS

- This pellet stove is designed and approved to burn wood pellets, that comply with pellet fuels industry standards. Minimum of 40 lbs. density per cubic foot, 1/4" to 5/16" in diameter, with a maximum length of 1" to 1/2", and less than 1% ash.
- The performance of your pellet stove is greatly affected by the type and quality of the wood pellets you use. As the heat output of various quality wood pellets differ, so too will the performance and heat output of the pellet stove.
- Wood pellets are generally produced out of wood waste such as sawdust and shavings. The raw material is dried, mechanically fractioned to size and extruded into pellets under high pressure. Wood pellets need to be protected from direct exposure to moisture. Water, from sources such as condensation and humidity, causes pellets to expand and break down into unusable fuel. Keep fuel dry.
- It is important to select and use only pellets that are dry and free from dirt and debris. Dirty fuel will adversely affect the operation and performance of the unit, and will void the warranty. The Pellet Fuel Institute (PFI) has established standards for wood pellet manufacturers. Only use pellets that meet or exceed PFI standards for premium fuels.

Pellet fuel quality can greatly fluctuate. The unit was tested with premium grade pellets. You cannot use a lesser grade, but higher grades can be used.

CLINKERS

Impurities, such as silica (clinkers), will need to be regularly cleaned and removed from the pellet stove. Clinkers will form a hard mass and block airflow through the pot liner. High quality fuels will usually result in fewer clinkers.

UNDERSTANDING YOUR STOVE

Your stove utilizes a vertical auger fuel feed system that is operated by a microprocessor controlled digital circuit board. The digital circuit board allows the vertical auger fuel system to run in a timer based, non-continuous cycle. This cycling allows the auger to run for a predetermined amount of time. The auger pushes pellets up a chute located in the hopper. The pellets will then turn and fall through another chute into the burn pot. Your stove is equipped with an automatic ignition system that should ignite the fuel within 3-5 minutes of pressing the On/Off button. As pellets fill the burn pot and ignite, outside air is drawn across the fuel and heated during the combustion process with is then pulled across the heat exchange tubes by the exhaust motor. As the stove reaches operating temperature, the room air is then circulated around the heat exchange tubes by a room air blower, distributing warm air into the room. The amount of heat that is produced by the stove is proportional to the rate of fuel that is burned. Because a forced draft pressure is required for the combustion process inside the stove, it is extremely important that the exhaust system be properly installed and maintained. Also, the doors must remain closed while in operation and the seals on the doors must be properly maintained.

OTHER STOVE FEATURES

Exchange Tube Scraper: Scrapes the carbon buildup that can accumulate on the heat-transfer tubes. **Never touch while stove is Hot.**

See Figure A

Glass Air Wash System: Allows the stove to draw in air, through the lined up slots, to gently wash against the interior of the glass to help keep it free of soot buildup. To the right is open, to the left is closed. **See Figure B**

AUTOMATIC SAFETY FEATURES POWER OUTAGE

During a power outage, the stove will shut down safely. Do not open the main door or ash pan door. During a power failure, the exhaust fan will not run. Keeping the doors sealed will allow the exhaust vent to draft out naturally. When the power is restored, the stove will not restart. If the exhaust temperature is still 120 degrees Fahrenheit when power is restored, the exhaust and convection fans will continue to run until the stove cools. See lighting instructions to restart stove.

Install at least one smoke detector on each floor of your home to ensure your safety. They should be located away from the stove, and close to the sleeping areas.

You should have separate CO monitors for areas near the stove

OVERHEATING

Over Fire Protection: If the stove is being over fired or burning too hot, the high limit switches will automatically shut down the stove to avoid damage to other components. If the temperature on the hopper reaches 200 degrees Fahrenheit, the auger will automatically stop and the stove will shut down. The exhaust fan will continue to run until the proof of fire switch cools. Allow the stove to cool before attempting to re-ignite. See Start-Up.



Figure A: Scraper



Figure B: Glass Airwash

SPECIFICATIONS

Model Number	HP21
BTU/Hour Output (1)	15,000 - 44,000
Heating Capacity (2)	Up to 2,400 sq. ft.
Particulate Emissions	1.39 g/hr
Efficiency	83%
Power Consumption	520 Watts ignition
Power Consumption	150 Watts operation
Fuel Storage Capacity	40 lbs
Exhaust Size	3" Standard
Width	23.5"
Height	33"
Depth	24"
Weight	242 lbs
Exhaust center to floor	17'
Exhaust center to side	6.75"
Room Blower CFM	142 CFM

(1) Heat output will vary depending on the brand, type and quality of fuel, and the moisture content. Consult your dealer for best results.

(2) Based on post 1982 home construction, requiring 35 BTU/Hr. per Sq. Ft.

- Emissions will vary, depending on the feed level, burning time, and fuel. Consult your dealer for best results.

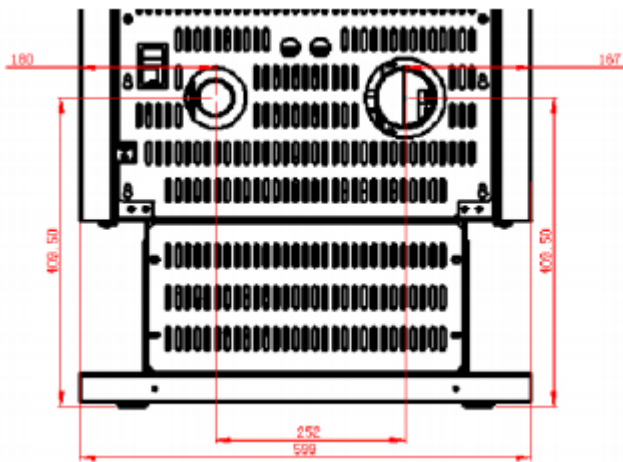


Figure 1: Intake and exhaust positions



WARNING

This stove has a manufacturer set minimum low burn rate that must not be altered. It is against federal regulations to alter this setting or otherwise operate this stove in a manner inconsistent with the operating instructions within this manual. If the unit is modified, it will no longer be compliant with the EPA regulations.



WARNING

If you see black smoke at the end of the exhaust/chimney, these are not normal emissions.

- Check for clinkers or blockages in the burn pot.
- Check for leakages around the stove, such as glass door or ash pan.
- Check for potential blockages in the exhaust channels.
- Check that the exhaust voltages are correctly set.

GLASS SPECIFICATIONS

This stove is equipped with 3 panes of ceramic glass.

Replace glass only with Qualified ceramic glass.

UNPACKING

- Your stove will come fully assembled.
- Remove all packing material and tape from the inside of the firebox.
- Remove any tape on the outside of the glass.
- Open hopper, and remove all packing material and power cord.

Note: Make sure the hopper is free of all foreign matter before filling with fuel. Foreign material will cause auger jams and will void stove warranty.

INSTALLATION

It is recommended that the stove be installed and serviced by an authorized professional.

Proper installation of this stove is necessary for safe and efficient operation. Installing this product improperly may result in a house fire and/or personal injury.

STOVE PLACEMENT

Sketch out a plan for installing the stove, including dimensions, before permanent placement. When determining the location for the stove, wall stud location is critical. You may need to adjust the location of the stove to avoid encountering a wall stud. Before placing the pellet stove, connect the vent to allow for minimum clearance to combustible walls.

FLOOR PROTECTION REQUIREMENTS

The stove must be installed on a noncombustible floor, with proper floor protection, or on a masonry hearth. When a clean out T-vent is installed on the inside of a home, the floor protector must extend 2" beyond the rear of the T-vent. **See Figure 2**

When stove is vented straight through the wall and the clean out T-vent is on the exterior of the home, the minimum clearance is 2" from the back of the stove to the wall. **See Figure 3**

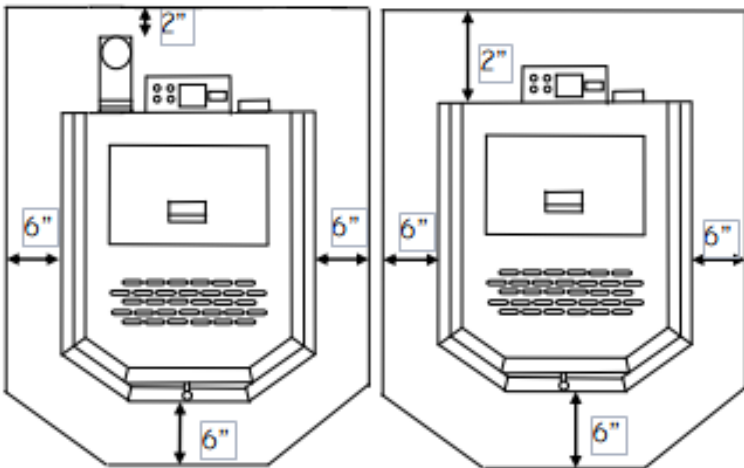


Figure 2

Figure 3

Figures 2 and 3: Pellet stove floor pad clearances



WARNING

Read this entire manual before you install and use this stove. Failure to follow the instructions may result in property damage, bodily injury, or even death.

- Do not install a flue damper in the exhaust venting system of this unit.
- Do not connect this unit to a chimney flue that services another appliance.
- Children and adults should be aware of the hazards of high surface temperatures and should stay away to avoid burns to skin and/or clothing.
- Young children should be carefully supervised when they are in the same room as the stove.
- Clothing and other flammable materials should not be placed on or near this unit.

CAUTION

This stove should not be used as the only source of heat in the home. Power outages and periodic maintenance will result in a total loss of heat.

- Contact local building or fire officials regarding restrictions and installation inspection requirements for your area.
- Contact your local authority (Municipal building department, Fire department, Fire prevention bureau, etc...) to determine the need for a permit.
- Keep combustible materials (such as grass, leaves, etc...) at least 3 feet away from the flue outlet on the outside of the building.
- Installation and repair of this pellet stove should be done by a qualified service person. The appliance should be inspected before use, and at least annually by a qualified service person. It is imperative that the control compartments, fire box, and circulating air passageways of the stove be kept clean.

CLEARANCES TO COMBUSTIBLES

NOTE: These are minimum clearances to combustible walls.

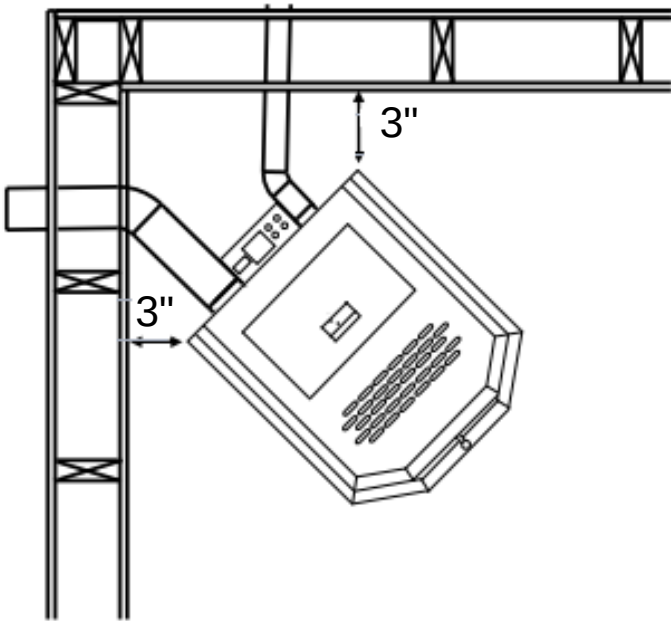


Figure 4: Corner Installation through wall

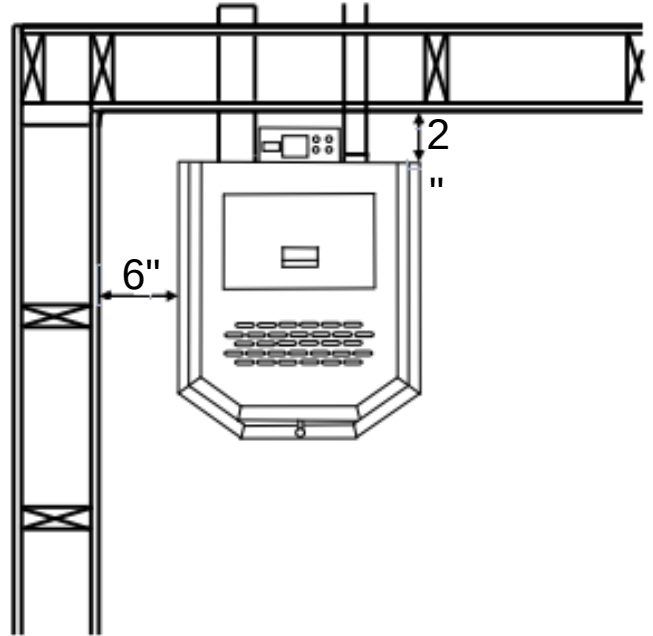


Figure 5: Straight Installation through wall

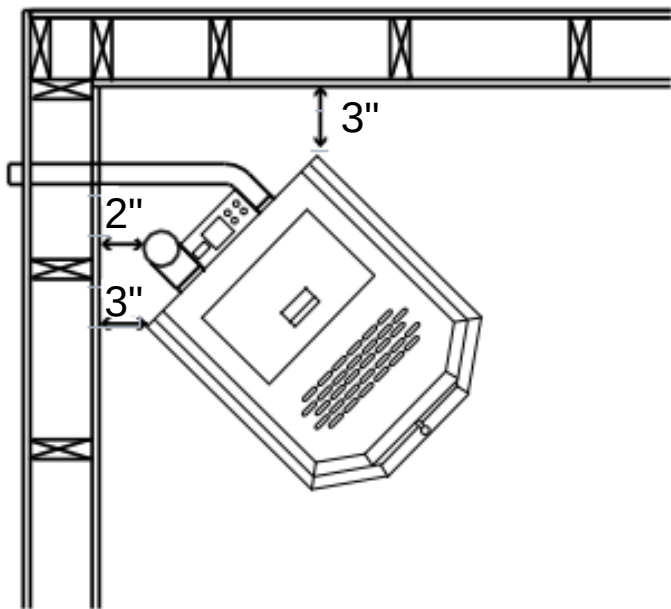


Figure 6: Corner Installation interior vertical vents

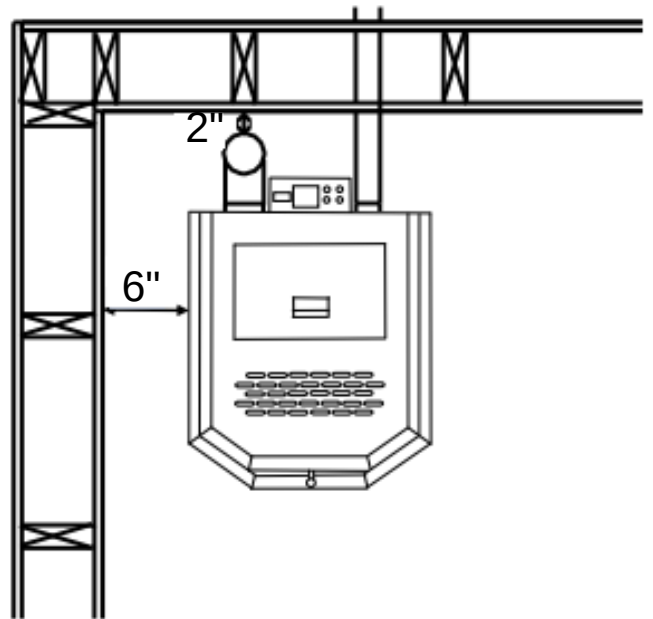


Figure 7: Straight Installation interior vertical vents

NOTE: When Interior Vent is installed vertically, the clearance to the back wall is determined by the vent size used. Install vent at clearance specified by the vent manufacturer. Take into consideration any upward turning elbows or tees.

VENTING

Before venting, consult vent manufacturer's specifications and recommendations for all venting installations.

The following installation guidelines must be followed to ensure conformity with both the safety listing of this stove and to local building codes.

TYPE OF VENT

The pellet venting pipe (also known as L vent) is constructed of two layers with air space between the layers. This air space acts as an insulator and reduces the outside surface temperature of pipe to allow a clearance to combustibles. A cap must be used at the termination of type L vent chimneys. For elevations above 5,000 feet above sea level, 4" venting is required.



WARNING

- **Never** shut the stove down by unplugging it from the power source.
- **Never** shut the stove down from by switching off the main power switch on the rear of the stove.

CAUTION

Vent surfaces can get hot enough to cause burns if touched. Non-combustible shielding or guards may be required.

- Pellet vent must maintain minimum clearances to combustibles specified by vent manufacturer.
- Install vent at clearances specified by the vent manufacturer.
- All venting joints, whether vertical or horizontal, should be made gas tight with recommended sealants.



WARNING

- **Do Not** connect this unit to a chimney flue that services another appliance.
- **Do Not** install a flue damper in the exhaust venting system of this unit.
- **Do Not** connect directly to a masonry chimney.
- **Do Not** terminate vent in any enclosed or semi-enclosed area, such as; Carport, garage, attic, crawl space, under a sun deck or porch, narrow walkway, or any location that can build up a concentration of fumes such as a stairwell, covered breezeway, etc...

PELLET VENT INSTALLATION

Vent termination **MUST** exhaust above the elevation of the air inlet. It is recommended to install at least 3 feet of vertical pellet vent pipe. This vertical pipe will create some natural draft to reduce the possibility of smoke or odor during appliance shutdown, and will keep exhaust from causing a nuisance or hazard from exposure to high temperatures.

The installation must include a clean out tee to enable the collection of fly ash and to permit periodic cleaning of the exhaust system. Total length of horizontal vent must not exceed 10 feet. The maximum recommended vertical venting height is 18 feet.



All joints for pellet vent are required to be fastened with at least three screws and all connections (including adapters, elbows, etc...) should be sealed airtight by injecting 500° F RTV silicone into the gap between sections.

The area where the vent pipe goes through to the exterior of the home must be sealed with silicone or other means to maintain the vapor barrier between the exterior and the interior of the home.

PELLET VENT TERMINATION CLEARANCE

- The stove vent must terminate on the outside of the building. Horizontal terminations must extend a minimum of 12" from the wall. Vertical terminations must protrude a minimum of 24" from the roof surface.

In addition, all clearances listed below must be met. SEE FIGURE 8

- Must have an approved cap (to prevent water from entering) or a 45 degree downturn with rodent screen.
- If the termination is located on a windy side of the house, we suggest using an approved house shield to prevent soot from building up on the side of the house.
- A vent must not be located where it may become plugged by snow or other material.

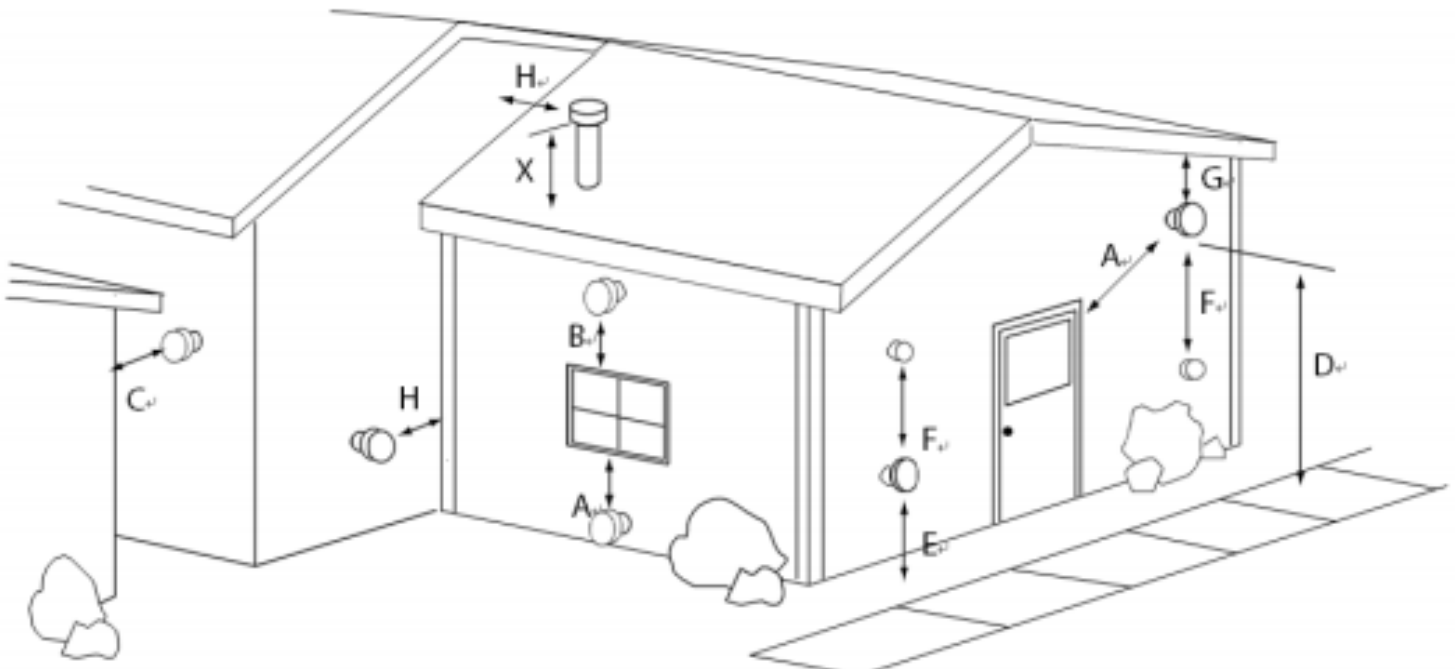


Figure 8: Vent Termination

A: Minimum 48" clearance below or beside any door or window that opens. (This clearance may be reduced to 18" if using outside air). We recommend the door or window be kept closed during operation. Minimum 12" clearance below or beside any window that does not open.

B: Minimum 12" clearance above any door or window that opens.

C: Minimum 24" clearance from any adjacent building.

D: Minimum 7' clearance above any grade, when adjacent to public walkways.

E: Minimum 24" clearance above any grass, plants, or other combustible materials.

F: Minimum 36" clearance from any forced air intake of another appliance.

G: Minimum 24" clearance below eaves or overhangs.

H: Minimum 12" clearance horizontally from combustible wall.

X: Must be a minimum of 24" above the roof.

NOTE: May not vent into covered walkway or breezeway.

VENTING THE PELLET STOVE

- Do not install flue damper in the exhaust venting system of this unit.
- Use an approved wall thimble when passing the vent through walls. Use a ceiling support/fire stop spacer when passing the vent through ceilings. (Make sure to maintain minimum clearances to combustibles)
- If using more than one T-vent or exceed 180° of elbows, you must use 4" venting pipe.

NOTE: In order to achieve optimum performance, it is recommended that you keep the vent as short as possible, especially in regards to the horizontal run.

- The vent must have a support bracket every 5' of pellet vent when on the exterior of the structure.
- The vent height and run must not exceed the distance as illustrated in diagram **Figure 9**.
- Venting into the lighter shaded area may require combustion motor voltage adjustments and/or inlet air adjustments (intake).
- **See Figure 9**

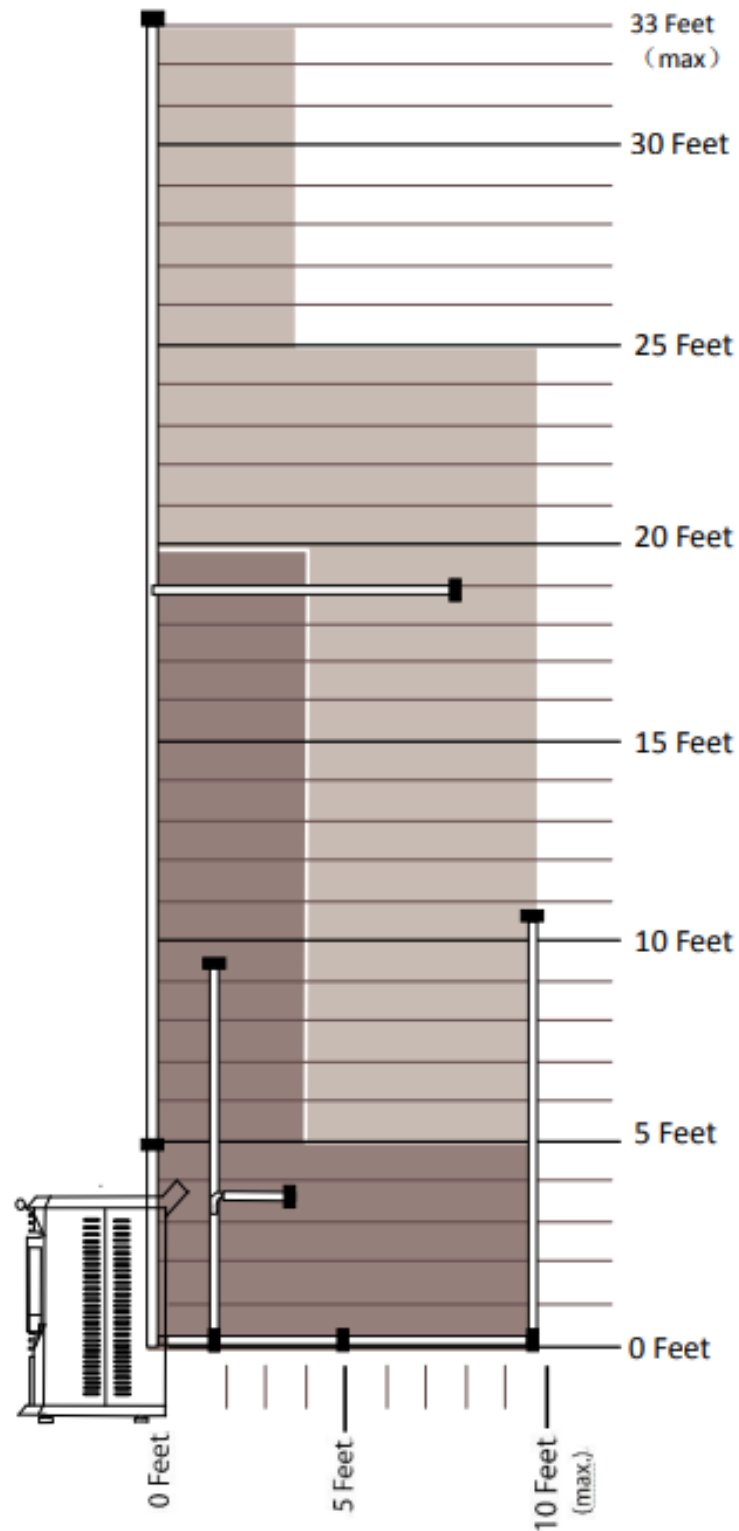


Figure 9: Venting and combustion motor voltage adjustment chart

OUTSIDE AIR CONNECTION

The efficiency of ComfortBilt pellet stoves can be impacted by the temperature of the air supplied to the burn pot, and the temperature of the air that is drawn past the heat exchange tubes to heat the room. When exterior air supplied to the burn pot is extremely cold, slightly more energy is required to burn pellets at optimum temperatures. A disadvantage of supplying interior room air to the burn pot is that the room air used by the burn pot (and sent out to the exhaust pipe) must be replaced by air drawn through windows, doors, and cracks. Using interior air is not recommended in newer houses that are tightly sealed. Air drawn in by the room blower is always interior room air and should be the coolest air in the living space. Stoves typically work best when placed on the lower level of the home, and located so that all the air in the space is freely available to the stove's heat exchanger.

- Connection from the intake pipe (2" diameter pipe in rear of stove) to the outside of the house is **REQUIRED** for mobile home installation. It is recommended in tightly sealed homes with exhaust fans such as kitchen or bathroom fans, or in basement installations. This will eliminate poor performance due to negative pressure.
- Only noncombustible pipe 2" (or greater) in diameter is approved for outside air connections (Straight or flexible). PVC pipe is **NOT** approved and should **NEVER** be connected to the stove.
- If the air inlet is connected to the outside, it **MUST** be terminated with a vertical 90° bend down, or with a wind hood. Failure to do so could result in a burn-back if high winds blow directly up the air inlet during a power outage.
- Blockage, excessive length (more than 6-8 ft), or extra bends in the air intake could lead to starvation of combustible air to the stove.

CAUTION

The operation of exhaust fans, such as bathroom and attic fans, could create a negative pressure in the room, causing the stove to be starved of combustible air. Be sure to provide adequate ventilation in the room the pellet stove is located. If not, the pressure (vacuum) switch may shut off the operation of the pellet stove.

MOBILE HOME

Installation in a mobile home should be in accordance with the manufactured home and safety standard (HUD), CFR 3280, Part 24. This stove must be vented to the outside. In addition to the standard installation instructions, the following requirements are mandatory for installation in a mobile home:

1. The stove must be permanently attached to the floor.
2. Stove must have an outside air source.
3. Stove must be electrically grounded to the steel chassis of the mobile home, unless 3-prong or GFCI power outlets are provided.
4. All vertical chimney vents must have wall supports.
5. All exhaust systems must have a spark arrestor.
6. Check with local building officials to see if other codes may apply.
7. Structural integrity of the floor, wall and ceiling/roof must be maintained.



WARNING

- Do not connect to any air distribution duct or system.
- Do not install in a sleeping room.

SIMPLE STOVE VENTILATION EXAMPLES

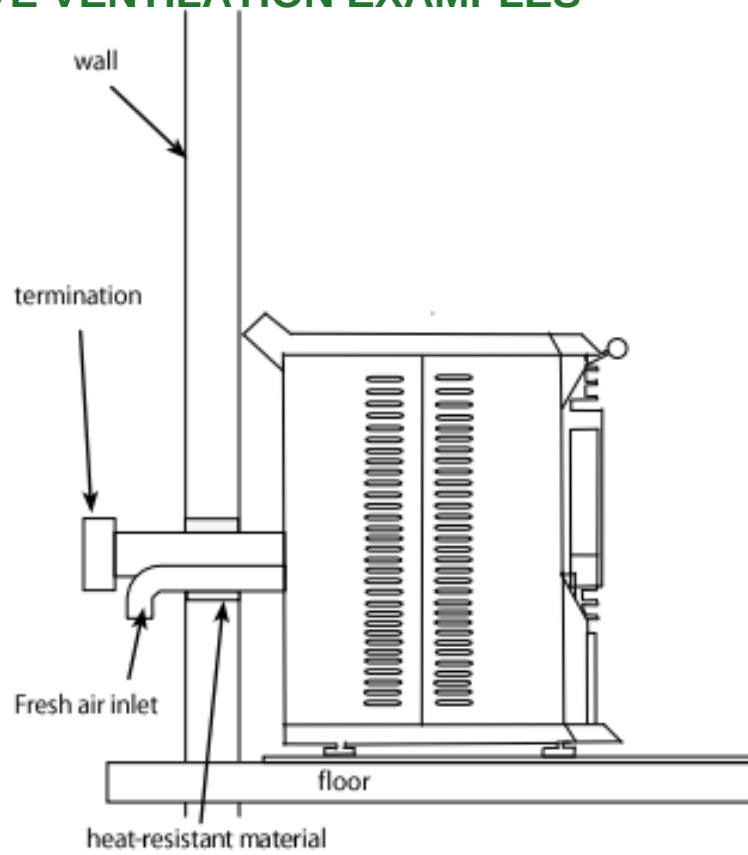


Figure 10: Straight Installation—outside, through wall installation

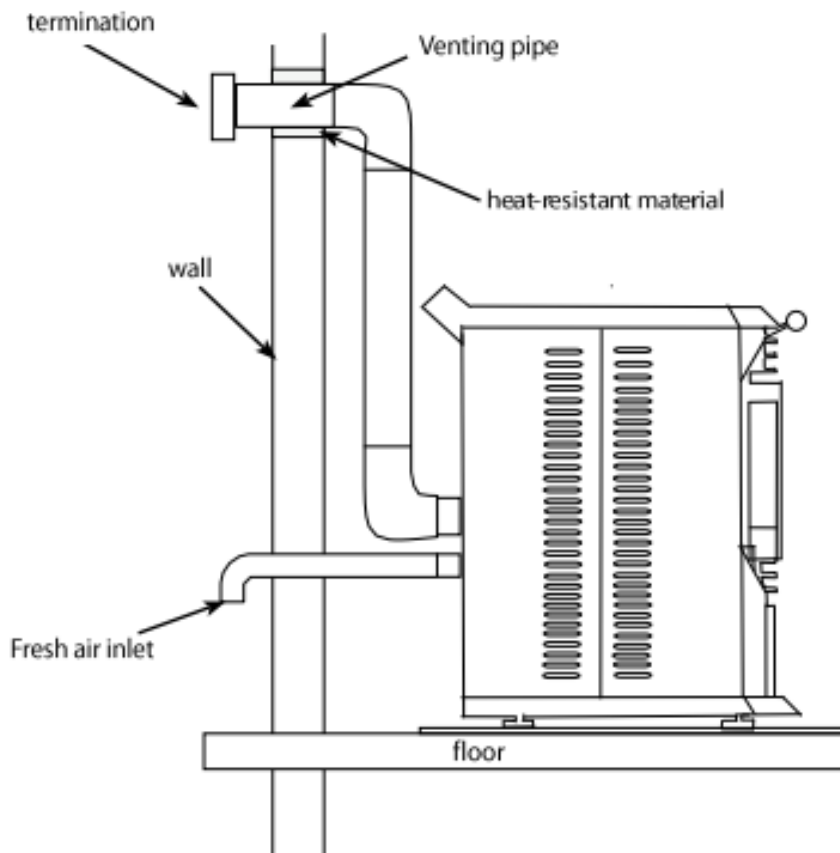
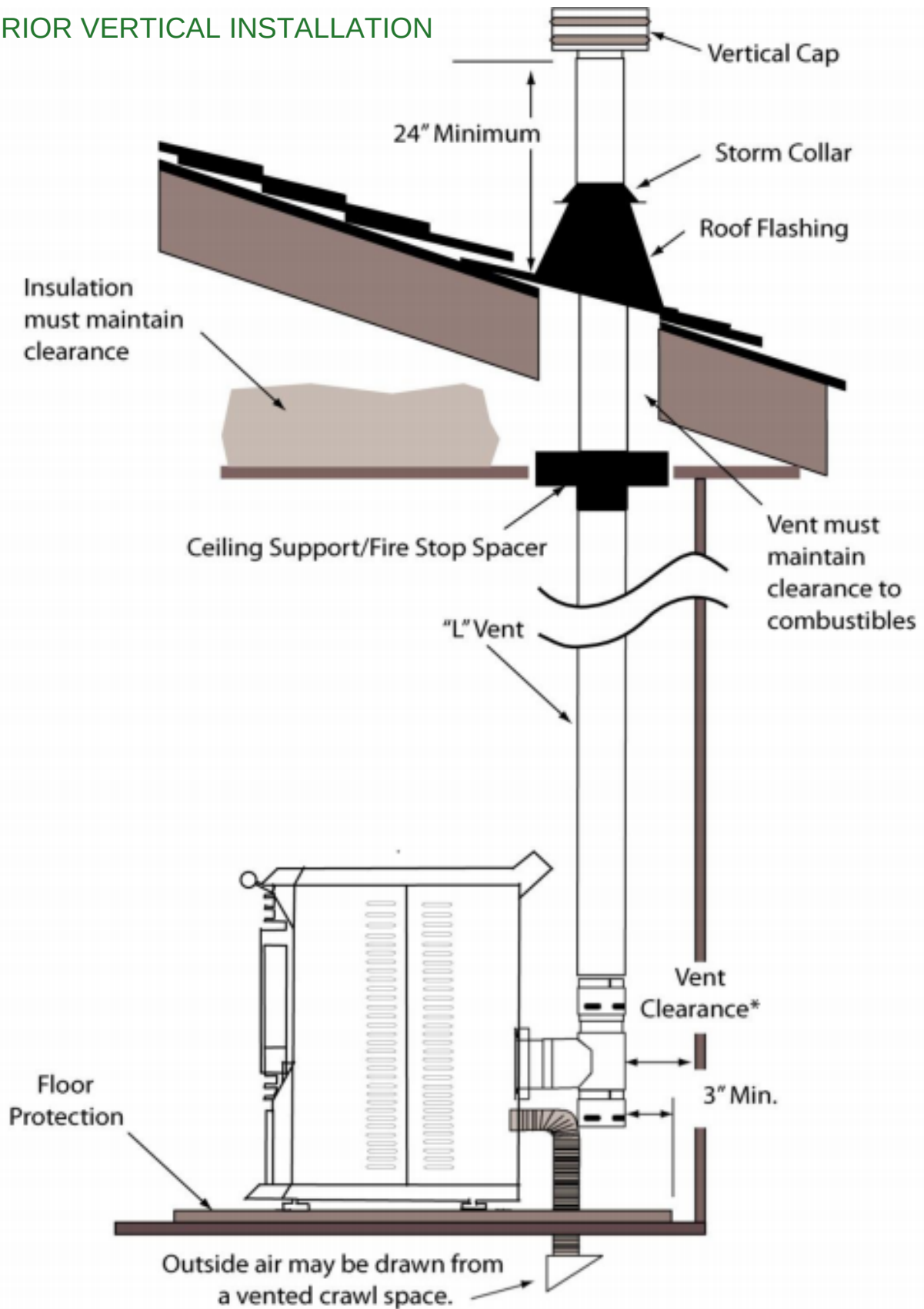


Figure 11: Straight Installation—inside vertical rise, horizontal termination

COMPLEX STOVE VENTILATION EXAMPLES

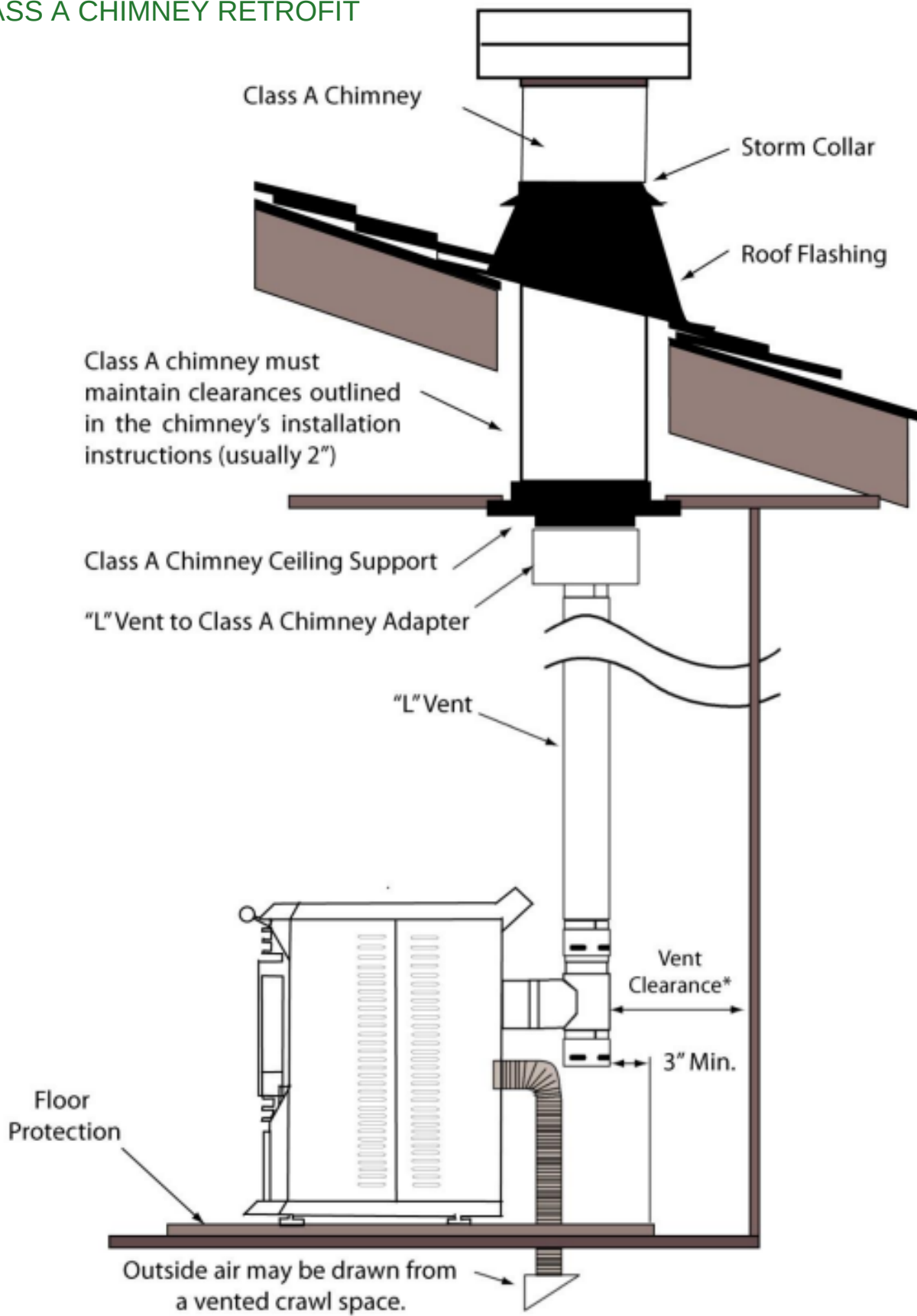
INTERIOR VERTICAL INSTALLATION



* Install a vent at clearance specified by the vent manufacturer

Figure 12: Interior Vertical Installation

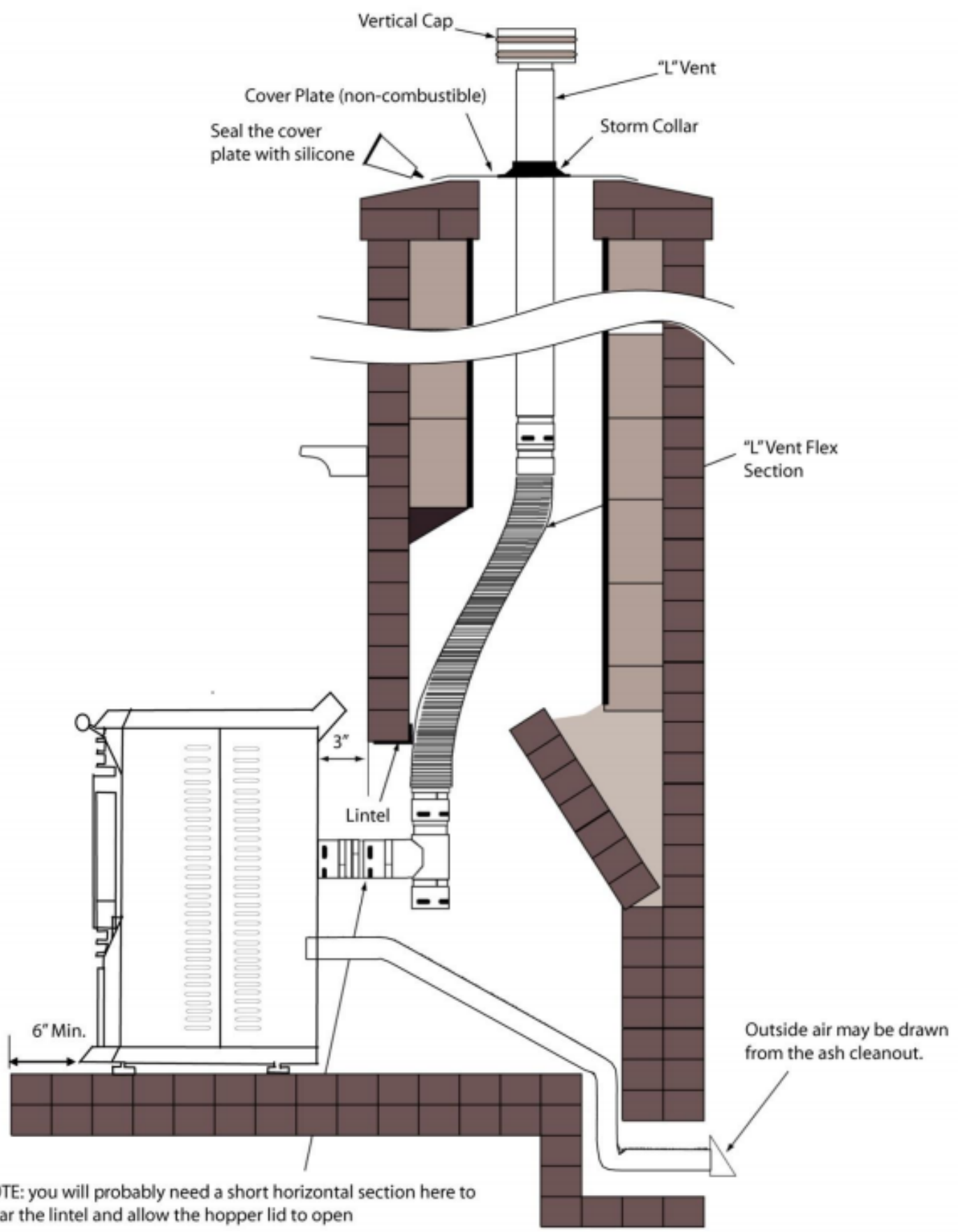
CLASS A CHIMNEY RETROFIT



* Install a vent at clearance specified by the vent manufacturer

Figure 13: Class A Chimney Retrofit

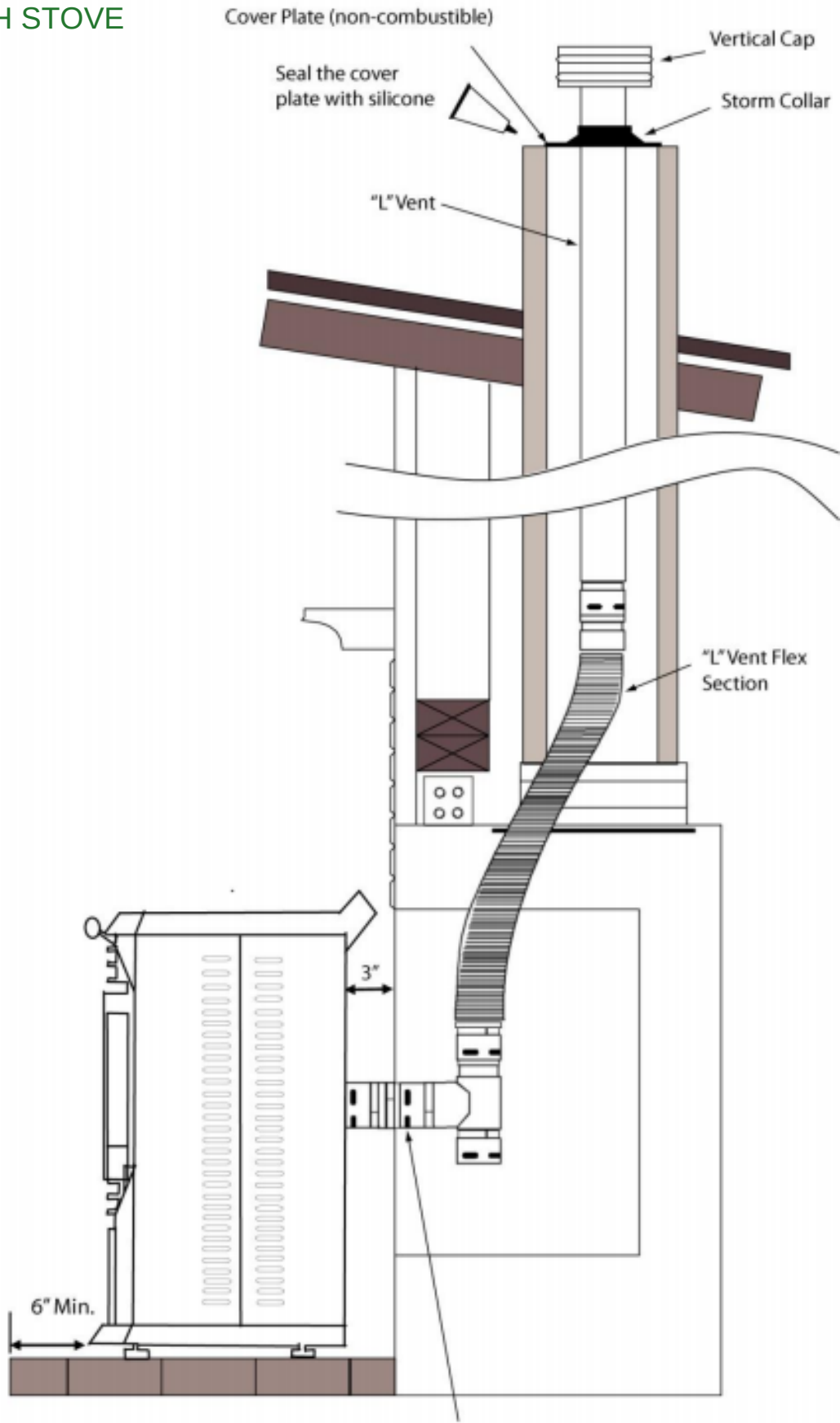
MASONRY FIREPLACE HEARTH STOVE



NOTE: you will probably need a short horizontal section here to clear the lintel and allow the hopper lid to open

Figure 14: Masonry Fireplace Hearth Stove

ZERO-CLEARANCE (METAL) FIREPLACE HEARTH STOVE



NOTE: you will probably need a short horizontal section here to clear the lintel and allow the hopper lid to open.

Figure 15: Zero-Clearance (Metal) Fireplace Hearth Stove

FREESTANDING MASONRY CHIMNEY

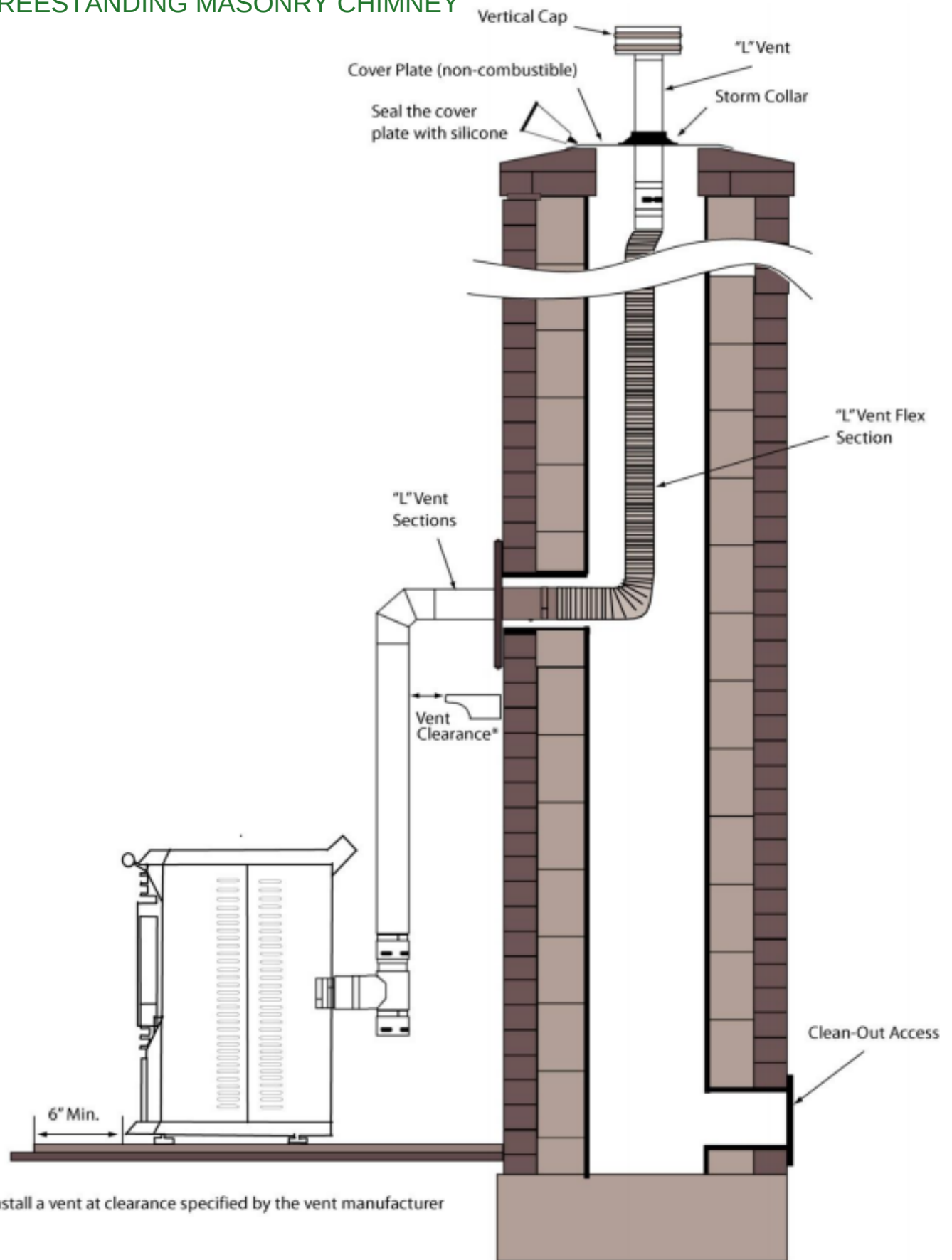


Figure 16: Freestanding Masonry Chimney

BECOMING FAMILIAR WITH YOUR CONTROLLER



Figure 17: Control keypad

CONTROLLER BUTTONS

- 1. Infrared Receiver:** Receives signal from remote control. (Available separately)
- 2. Power Indicator:** Illuminates when main power is switched on.
- 3. Alarm Light:** Illuminates if stove is not operating correctly.
- 4. On/Off Button:** Starts and stops operation of stove.
- 5. Timer Button:** Allows you to choose the start or shutdown time of the stove.
- 6. Mode Transfer Button:** Allows you to set the unit to one of three main mode settings: Manual, Temp, and Weekly.
- 7. Hold Button:** Pressing the "Hold" button in weekly mode after raising the "call to temperature" will maintain that temperature until the button is pressed again or stove is shut down.
- 8. Scroll up Button:** Allows you to scroll up to choose items in the menu.
- 9. Exit Button:** Take you out of current selection and returns to previous option and/or screen. When entering data, pressing the EXIT button will delete your entries.
- 10. Scroll Down Button:** Allows you to scroll down to choose items in the menu.

11. Enter Button: Pressing "Enter" button allows you to adjust and select data on the screen. Pressing the "Enter" button for 3 seconds will take you to a main menu screen in which you will have the ability to change the time, date, temperature display, weekly operation schedule (for Weekly Mode only) and combustion motor and voltage settings. *See Figure 17*

MOUNTING YOUR CONTROLLER

Mount the controller and the controller bracket to top and back of your stove using the hardware that accompanied the controller.

See Figure 18



Figure 18: Control pad location

MAIN OPERATION CONTROLLER SCREEN DISPLAY

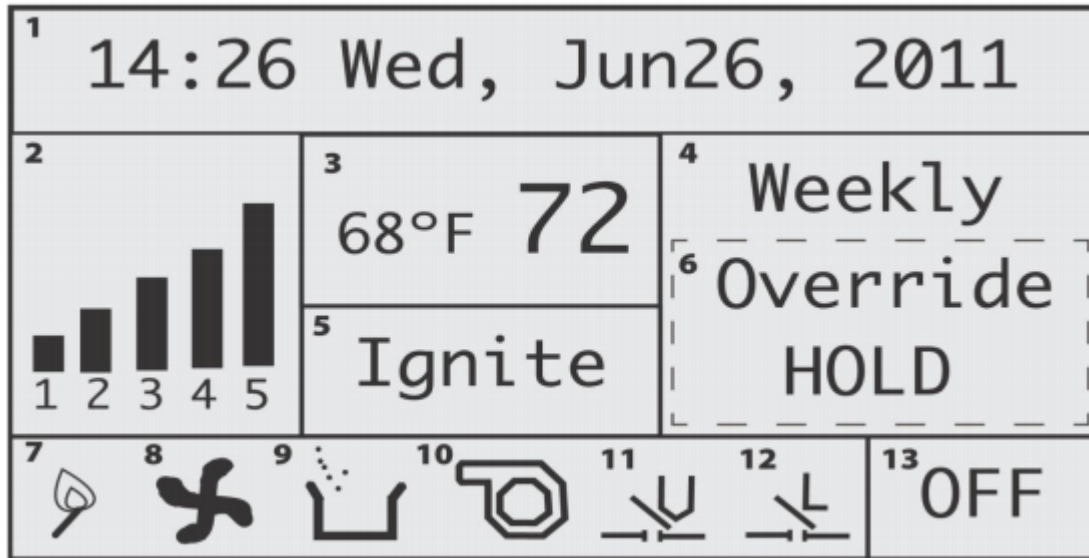


Figure 19: Display Screen

1. **Date and Time:** Displays time and date.
2. **Heating Power Level:** Indicates the level of power at which the stove is currently heating.
3. **Current Room Temperature/Call To Temperature:** Displays current room temperature and, in the Temp mode, the call to temperature.
4. **Main Mode:** Displays Operation mode - Weekly, Temp, and Manual.
5. **Work Stage:** Displays operational stage in which the stove is currently operating (i.e. Ignite, Heating)
6. **Additional Control Mode:** Displays additional mode info such as holds and overrides.
7. **Igniter Indicator:** Indicates when the igniter is being fired.
8. **Combustion Blower Indicator:** Indicates when the exhaust/combustion fan is running.
9. **Auger Indicator:** Indicates when the auger is feeding pellets.
10. **Convection Blower Indicator:** Indicates convection/room blower fan is running.
11. **Vacuum Switch Indicator:** Indicates there is vacuum pressure in the stove.
12. **Hopper Lid Open Indicator:** Indicates the hopper lid is closed. When lid is open, "L" will disappear.
13. **On/Off Mode Indicator:** Indicates when the stove is either on or off.



WARNING

- Never use flammable liquids such as gasoline, gasoline-type lighter fuel, charcoal, lighter fluid, or fire starting gels in or around the stove. Keep all such liquids well away from the stove when it is in use.
- Never open the side panels or main door when stove is in operation.
- Never touch door latches while in operation, they can get extremely hot.
- Never open glass door while stove is operating or while stove is hot.

PRE-OPERATION

Once the stove has been properly installed and plugged into a grounded surge protector, you are ready to begin operation.

PRIOR TO STARTING

- Turn on the main power switch located on the back of the stove. **See Figure 20A**

NOTE: If for some reason the stove does not appear to be powering on, there is a fuse located just below the power switch that can be checked. A spare fuse is located inside the fuse holder if needed. **See Figure 20B**



Figure 20A: Power Switch Figure 20B: Spare Fuse



Figure 21: Pellet Load Hopper Lid

- Make sure the hopper is clean and free of foreign matter, including pellet fines and dust. Fill the hopper with wood pellets, making sure that NO parts of the bag or any foreign objects enter the hopper, as this may cause harm to the auger feed system. **See Figure 21**
- Also take care to ensure there is no pellet material in the hopper lid seating surfaces.
- Close the lid. This stove has a safety switch that will not allow pellets to feed with the hopper door open.
- Ensure the main glass door is closed. This stove has a safety switch that will not allow pellets to feed unless there is a negative pressure detected inside the stove.
- Before actually starting your stove, you will need to determine which operating mode you would prefer the stove to run in. This stove can operate in one of three modes.
 1. Manual: In this mode, you can personally adjust and set the heating power level to control the heat level.
 2. Thermostat Control (Temp): In this mode, you can set the room temperature and the stove will automatically adjust the heating power level to maintain the desired temperature.
 3. Weekly: In this mode, the stove will work automatically during days and times you predesignate. You can have a program for each of the 7 days of the week, and up to 4 periods during the day.

You must select your mode before turning on the stove.

Selecting a mode while the stove is burning may cause the stove to shut down and may force a 30-minute delay in restarting. You do not need to start operation of the stove to select your mode. To choose the mode, locate the mode transfer button on the controller. **(#6 in Figure 17)**

Pressing the mode button once selects Temp mode, pressing twice will select the Weekly mode, pressing a third time will return you back to Manual mode.

OPERATION

After you have chosen the desired operation mode for your stove, press the ON/OFF button to start the stove ignite cycle.



START-UP

When the stove turns on, the ignition indicator and the combustion blower indicator will appear on the screen (#7 & 8 in Figure 19) "Ignite" will also appear in the work stage box on the screen. After approximately four seconds, the vacuum switch indicator will appear. Also note that the hopper lid open indicator "L" will appear anytime the hopper lid is properly shut and sealed.

The auger indicator will flash on the screen, indicating that the auger is feeding pellets. Within 5-8 minutes, a fire should ignite. Once the fire is lit, and the stove achieves operating temperature, the work stage box on the screen will read "Heating", and the room blower fan will engage.

WORKING IN THE DIFFERENT OPERATION MODES

MANUAL MODE

The manual mode is the default mode setting if no other mode is chosen before the stove is turned on. In the manual mode, you have the ability to change the heat levels, which will increase or decrease the amount of heat that the stove puts out.

To change the power level in manual mode, use the "Scroll Up" or "Scroll Down" buttons on the control pad. (See #'s 8 and 10 on Figure 17). Pressing either of these buttons once will move the power level up or down one level.

NOTE: This mode does not allow you to directly adjust specific temperatures. The manual mode simply allows you to dictate the level of heat the stove is outputting.

TEMPERATURE CONTROL MODE

The Thermostat Mode allows you to set the temperature of the room. The stove will increase or decrease the level of heat it outputs automatically to keep the room at the set temperature. To increase or decrease the "Call to" temperature, use the "Scroll Up" or "Scroll Down" button. The current room temperature will be displayed in the temperature display box on the screen, as will the "Call to" temperature.

If the room temperature falls below the "call to" temperature, the stove's heat power level indicator will automatically rise to five. When the temperature has been reached, and maintained for about a minute, the heat power level will return to one and it will stay there until more heat is needed.

NOTE: In thermostat mode, the stove will not shut off or go into standby. It will simply idle and continue to produce a fire until the room temperature falls below the "call to" temperature. When idling, the heat power level will read at level one in the power level box on the display screen.

WEEKLY MODE

The Weekly Mode allows a user to control and schedule the stove operation during set times and days throughout the week. You can select four different operation times for each of the seven days of the week.

IMPORTANT: Remember to set your weekly schedule in Weekly Mode before igniting a fire. If you attempt to set a weekly schedule while the stove is running in Manual or Temp modes, the weekly schedule will not set, and the screen will prompt you to wait until you have turned the stove off and it has cooled down before allowing you to retry.

SETTING DATA ON YOUR CONTROLLER

SETTING THE TIME AND DATE

1. Press and hold the "Enter" button. This will take you to the "Set Data" screen. *See Figure 22*
2. Press "Enter" again to enter the "Set Clock" screen. *See Figure 23*
3. To change the hour, press "Enter". This will highlight the hour block. Using "Scroll Up" and "Scroll Down" select the correct time. Press "Enter" to select the correct hour, and then press "Enter" a second time to begin setting the minutes.
4. Continue this process for selecting and setting the Day, Month, Date, and Year.

SETTING WEEKLY SCHEDULE

1. Press and hold the "Enter" button until the "set data" menu appears on the screen. Using the "Scroll Down" button, select "Set Weekly" and press "Enter" This will take you into the weekly schedule screen. *See Figure 22*
2. In the "Weekly Schedule" screen, you can begin with setting the operation times for Sunday. Press "Enter" to highlight the hour and use the "Scroll Up and "Scroll Down" buttons until you reach your desired hour of start time. Press "Enter" again to highlight the minutes and use the "Scroll Up" and "Scroll Down" until you reach the desired minute of start. *See Figure 24.*
3. Pressing "Enter" again will allow you to set the stop time of your stove. Use the same procedure for setting your stove's start time for selecting a stop time. Once you've selected the stop time, press "Enter"
4. Next you will have the opportunity to set the desired temperature. Use the "Scroll Up" or "Scroll Down" keys until you've reached the appropriate temperature for the times you have selected. Press "Enter".

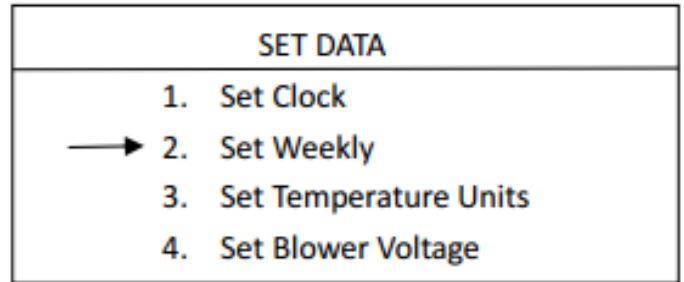


Figure 22: Set Data Menu

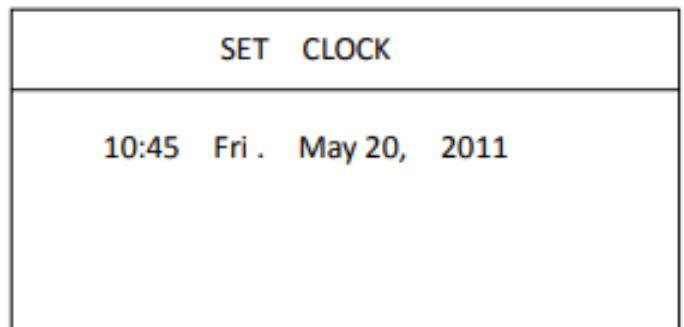


Figure 23: Set Clock Menu

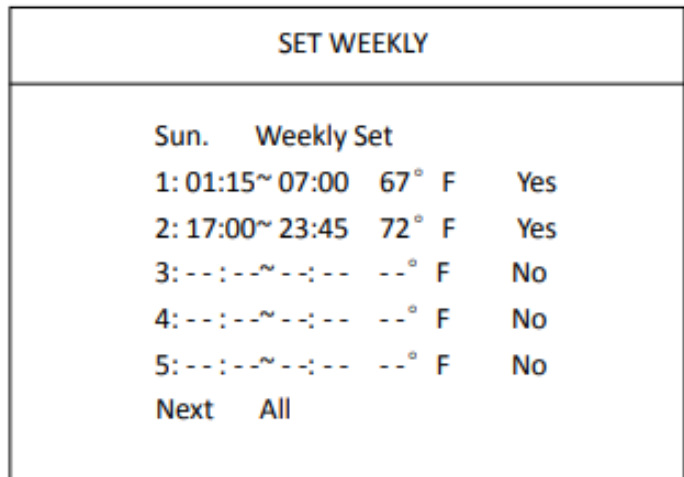


Figure 24: Set Weekly Menu

NOTE: Your stove controller uses 24 hour military time to set your weekly schedule.

5. "Yes" will be highlighted. Pressing "Enter" will confirm your selection and will take you out of your first set time.

If you wish to erase a scheduled time, use the "Enter" key to highlight "Yes" on the screen for that scheduled time. Select "No" using the "Scroll Up" or "Scroll Down" keys. While "No" is highlighted, press "Enter" to erase the data.

6. To set another time for that particular day, press "Scroll Down" and continue by repeating steps 2-5 as desired.

NOTE: You must set your times in chronological order. The first schedule slot of one day MUST be earlier in the day than the second schedule slot on your weekly schedule list, and so on.

7. Once you have set all times for the first day (Sunday), "Scroll Down" to "Next" and press "Enter" once. This will highlight "Next". Pressing "Enter" again will progress to the following day. Proceed with setting a schedule for the rest of the week using the preceding instructions.

NOTE: Along with the "Next" option on the screen, there is also an "All" option. After you have set a particular time for a day, if you wish to set that time for every day of the week, "Scroll Down" to "Next" and press "Enter". Press "Scroll Down" key to select and highlight "All". Press "Enter" to select that scheduled time and apply it to each day of the week.

8. Once you've finished setting your schedule, without any of the options highlighted, press the "Exit" button. This will save your schedule.

9. With a schedule set, make sure that the main display screen on the controller reads "Weekly" (for operating in the Weekly Mode) and that the unit is turned on. The schedule will not take effect unless the unit is turn ON and in the Weekly Mode. **(See #13 in Figure 19)**

TIP: If at any point, you need to leave the weekly schedule screen or once you have finished setting all of your times, select the "Exit" button to return to the previous menu.

SETTING TEMPERATURE UNITS

1. Press and hold the "Enter" button. This will take you to the "Set Data" screen.
2. Using the "Scroll Down" key, move down to Option 3 "Set Temperature Units" and press "Enter". This will take you into the "Set Temperature Units" screen. **See Figure 25**
3. In the "Set Temperature Units" menu, press the "Enter" key to highlight the units. Use "Scroll Up" or "Scroll Down" to select either Celsius (C°) or Fahrenheit (F°).
4. When finished, press "Enter". With nothing highlighted on the screen, press the "Exit" button.

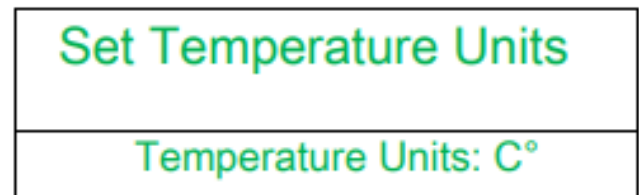


Figure 25: Set Temperature Units Menu

SETTING BLOWER VOLTAGE

The blower voltage (controlling the room blower or convection fan) can be turned up or down for each power level to regulate the amount of heat circulated into the room during operation. Some fuels radiate heat better than others. You have the ability to speed up or slow down the room fan to extract the optimum amount of heat without blowing cold air. Increasing the blower voltage causes the convection motor to run faster, extracting more heat from the unit.

Decreasing the blower voltage allows you to slow the exchange of heat from the stove so it blows warmer air.

NOTE: If the stove is giving the over-temp alarm in any setting, increasing the blower voltage may help.

To Set Blower Voltage:

1. Press and hold the "Enter" button. This will take you to the "Set Data" screen.
2. Using the "Scroll Down" key, move down to option 4, "Set Blower Voltage". Press "Enter" again to move into the "Set Blower Voltage" screen. **See Figure 26**
3. Select the stall (or heating power level) for the voltage you'd like to change by scrolling up or down and pressing "Enter" The voltage amount will automatically be highlighted.
4. Using the "Scroll Up" or "Scroll Down" keys, select the appropriate voltage.
5. Press "Enter" to finalize your changes. Repeat steps 2-4 for the other stalls that you wish to change.

Set Blower Voltage
1.Stall1 Voltage:~90V
2.Stall2 Voltage:~92V
3.Stall3 Voltage:~94V
4.Stall4 Voltage:~96V
5.Stall5 Voltage:~115V

Figure 26: Set Blower Voltage Menu

SETTING EXHAUST VOLTAGE

The exhaust voltage (controlling the combustion motor) allows you to adjust the stove for the fuel you are burning or compensate for inadequate ventilation situations. In less than optimal venting situations, you can increase the exhaust speed for additional air circulation through the stove.

NOTE: Be sure to visually watch the burn rate if the exhaust voltage is decreased, as to not cause pot overloading. Exhaust voltage should ONLY be adjusted to get the optimum performance out of the fuel you are using.

IMPORTANT: Changing the exhaust voltage does NOT change the feed rate. Therefore, on high heat power levels, where the feed rate is faster, a low voltage level will not push out enough air and the stove may overheat and/or pellets may back up into the burn pot. Decreasing exhaust voltages will increase the amount of heat coming into the room. Do not adjust the exhaust voltage too low, as it can cause pellets to back up in the burn pot.

Increasing the exhaust voltage, and thereby increasing the amount of airflow through the burn pot, will also assist in burning lower quality fuels that may otherwise cause unwanted buildup.

To Set Exhaust Voltage:

1. Press and hold the "Enter" button. This will take you to the "Set Data" screen.
2. Using the "Scroll Down" key, move down to option 5, "Set Exhaust Voltage". Press "Enter" again to move into the "Set Exhaust Voltage" screen. **See Figure 27**
3. Select the stall (or heating power level) for the voltage you'd like to change by scrolling up or down and pressing "Enter" The voltage amount will automatically be highlighted.
4. Using the "Scroll Up" or "Scroll Down" keys, select the appropriate voltage.
5. Press "Enter" to finalize your changes. Repeat steps 2-4 for the other stalls that you wish to change.

Set Exhaust Voltage
1.Stall1 Voltage:~80V
2.Stall2 Voltage:~85V
3.Stall3 Voltage:~90V
4.Stall4 Voltage:~100V
5.Stall5 Voltage:~105V

Figure 27: Set Exhaust Voltage Menu

DIAGNOSTICS

Your stove's controller comes equipped with an on-board diagnostics option that will let you test some components of the stove.

NOTE: You will only be able to enter the diagnostic screen when the stove is turned OFF.

To get into the diagnostic screen:

1. Press and hold the "Enter" button. This will take you to the "Set Data" screen.
2. Using the "Scroll Down" key, move to option 6 "Diagnostics". Press "Enter" to access the "Diagnostics Screen" **See Figure 28**

NOTE: The shaded circles indicate when a component is in the "Engaged" or ON position.

When stove is OFF and cool, the only circle that will appear shaded is the "Limit" (Hopper Lid Indicator)

In the diagnostics mode, you will have the ability to test certain components of the stove to ensure they are working as intended.

In order to test a specific component:

1. Move the cursor arrow to the desired component keyword using the "Scroll Up" or "Scroll Down" keys, and press "Enter"
2. The selected component keyword will highlight. Press the "Scroll Up" or "Scroll Down" key once to shade the selected circle.

This will turn on, or "Engage" this component.

The only components that you are able to manually Engage are "Fire", "Blower", "Exhaust", and "Feeding"

<u>Diagnostic</u>		Stalls:	01
Fire:	<input type="radio"/>	Blower:	<input type="radio"/>
Exhaust:	<input type="radio"/>	Feeding:	<input type="radio"/>
Limit:	<input checked="" type="radio"/>	Vacuum:	<input type="radio"/>
NTC1:	<input type="radio"/>	NTC2:	80 C

Figure 28: Diagnostics Menu

Component Keywords:

1. **Stalls:** Changing the stall # will allow you to test the components in the various heating power levels.
2. **Fire:** Tests whether the igniter is working properly.
3. **Exhaust:** Tests whether the combustion motor and exhaust system is working properly.
4. **Limit:** Will indicate whether the hopper lid is properly shut.
5. **Blower:** Tests whether the room blower fan is working properly.
6. **Feeding:** Tests whether the auger is properly feeding pellets.
7. **Vacuum:** Will indicate whether there is sufficient negative pressure in the stove. (Should shade when "Exhaust" is engaged).
8. **NTC1:** Proof of Fire indicator. (Will only be shaded when stove is still hot enough to engage the P.O.F. switch.
9. **NTC2:** Will indicate temperature being read by the overheat sensor. (Temperature is in Celsius)

RESTORING DEFAULT SETTINGS

Option 9 "Restore Default Settings" should never need to be used, as the correct baseline settings are programmed into the controller during the inspection process.

NOTE: Restoring default settings will erase the changes that were made during the inspection process and could affect the performance of your stove.

SHUT DOWN PROCEDURE

Press the "On/Off" button on the control pad to initiate the shut down mode. The On/Off indicator on the screen will now read "Off".

The auger will stop feeding pellets, but the exhaust fan and room blower fans will continue to operate for a time. Once the stove has cooled, the screen light will turn off.

NOTE: Stove shut down times can vary.

MAINTENANCE

NORMAL CARE AND MAINTENANCE

A majority of all problems with pellet stoves are either directly or indirectly related to general maintenance and cleaning issues. Regularly cleaning your stove will allow it to function properly and extends the life of most of the stove's components.

Due to differences in fuel quality, stove cleaning intervals can vary wildly. However, the cleaner the stove is, the more efficiently it will burn.

GLASS FRONT DOOR

Only clean the glass when the glass is cool. Wipe the glass clean with a dry or damp rag. If this does not remove all build-up, use of any non-abrasive cleaner is approved. Using ceramic stove top cleaner can be helpful in removing soot build-up from the glass. *See Figure 29*

Inspect the gaskets around the door periodically and replace any worn, frayed or compacted gaskets.

NOTE: *Only replace broken glass with high temperature ceramic glass.*



WARNING

- Never perform cleaning or maintenance on a hot stove.
- Allow unit to cool for a minimum of two hours.
- Never perform service with power supplied to the unit.
- Interior components may still be hot, even when stove surfaces are cool to the touch. A protective glove is recommended.
- Clinkers may remain hot for several minutes after they are pulled from the burn pot.

SOOT AND FLY ASH

The products of combustion will contain small particles of fly ash. The fly ash will collect in the exhaust venting system and restrict the flow of the flue gasses. Incomplete combustion, which occurs during startup and shutdown, or incorrect operation of the stove, will lead to some soot formation collecting in the exhaust venting system. The exhaust venting system should be inspected regularly to determine if cleaning is necessary. If cleaning is necessary, disassemble the exhaust vent and clean the individual parts. When cleaning ash, use an approved ash vacuum.

Clean out T-vents regularly to determine the required cleaning interval. Use a 3" or 4" chimney brush to clean exhaust venting. Plugged venting will effect the quality of the fire. Make sure to clean any screens in the venting regularly as a plugged screen can restrict combustion air and cause the fire to burn poorly.

CAUTION

- Do Not operate stove with broken glass
- Do Not slam doors shut.
- Do Not strike the glass.
- Do Not use abrasive cleaners.
- Do Not clean hot glass.
- Replace ceramic glass with factory authorized replacement parts only.



Figure 29: Front Door Glass

DAILY MAINTENANCE

BURN POT

Remove and clean the burn pot daily. Make sure all of the airflow holes in the burn pot are unobstructed. Using a small metal pick or drill bit can aid you if these get plugged through general use. Every time the hopper is filled with fuel, the burn pot should be emptied.

In order to empty the burn pot, lift it out of the cradle and dump it directly into the ash pan. Be sure any build-up is removed when clearing the airflow holes. **See Figure 30**



Figure 30: Burn Pot

ASH PAN

Empty the ash pan regularly. Ashes should be contained in a metal container with a tight fitting lid. The container of ashes should be placed on a noncombustible floor or, well away from any combustible materials. If ashes are disposed of by burial, or otherwise dispersed, they should remain inside the enclosed container until all cinders have cooled. The frequency in which the ash pan will need emptied will vary depending on the amount of fuel burned. **See Figure 31**



Figure 31: Ash Pan

WEEKLY MAINTENANCE

INTERIOR CHAMBER

In addition to the daily maintenance tasks, clean the interior chamber with an ash vacuum. (Ash vacuums have a metal canister that is specially designed to contain soot).

Remove the burn pot from the cradle and vacuum beneath. Be sure to remove any ash buildup in and around the igniter tube. **See Figure 32**

NOTE: When cleaning/vacuumping out the igniter tube, ensure that the igniter rod does not get pushed out of position.



Figure 32: Burn Pot Cradle/Igniter Tube

CONTINUING MAINTENANCE REAR AIRFLOW/EXHAUST CHAMBER

In addition to daily and weekly maintenance tasks, the exhaust chamber covers should be removed and the entire chamber vacuumed thoroughly once every 1.5 tons of pellets burned.

First, you will need to locate the cover plates to the rear exhaust chambers. These chamber covers are small, rectangular, metal plates that are affixed with 2 wing nuts. There are a total of 4 chamber covers. They are located on each side of the stove. (2 left, and 2 right - top and bottom). These are accessed via the side panels. **See Figure 33A and 33B**

Once you have located the chamber covers, you will then remove them by unscrewing the wing nuts and pulling the plate back. There is a gasket behind the plate to help make an airtight seal so the stove does not draw in air through these panels. It is ok to cut through the center of the gasket to access the chamber behind it. As long as there is adequate gasket material around the perimeter, it will provide a proper seal. Using a slender hose attachment on your ash vac, thoroughly vacuum out these chambers top to bottom. These chambers extend all the way up to the heat exchange tubes near the top of the stove, so it is imperative that the entire chamber is cleaned, top to bottom. Using a cross-hatching/sweeping motion will ensure that no area is neglected and as much of the ash and debris is removed as possible.

EXHAUST & COMBUSTION ASSEMBLY

In addition to the daily and weekly maintenance tasks, the exhaust venting, and combustion motor, housing, and impellers should be inspected and cleaned once per year. **See Figure 34**

There is a combustion motor gasket, which allows you to remove the motor from the housing, for inspection and cleaning, without having to remove the entire exhaust fan. However, if you must remove or replace the entire exhaust fan, a new blower flange gasket should be added between the blower flange and the steel plate.



Figure 33A: Exhaust Chamber Cover Plates.
Air Intake side



Figure 33B: Exhaust Chamber Cover Plates.
Exhaust side

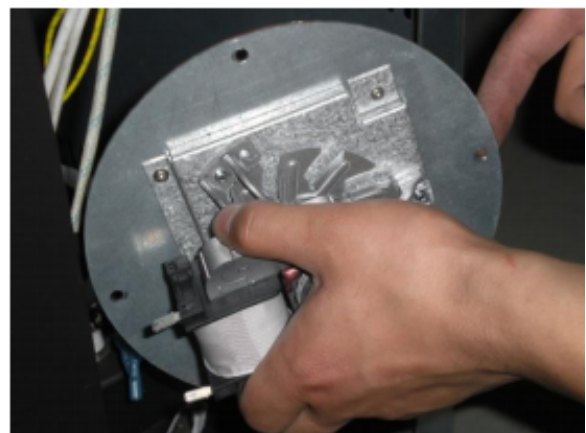


Figure 34: Combustion Motor Assembly

TROUBLESHOOTING & REPAIR

We build quality and durability into the design of our products; but no amount of careful design by us, and careful maintenance by you, can guarantee a repair free life for your stove. Most repairs will be minor, and easily fixed by following the suggestions in the troubleshooting guides on our website. The guides will help you pinpoint the causes of common problems and identify remedies. For more complicated repairs, you may want to rely on your retailer. [Troubleshooting & Component Guides](#) can be found on our website, as well as [YouTube videos](#). We will always be glad to answer any questions you may have, or help you find suitable assistance.

WARRANTY

This warranty is non-transferable and is made to the original retail purchaser only, provided that the purchase was made through an authorized ComfortBilt dealer. It must be installed and operated in accordance with the Installation and Operating Instructions furnished with this product, as well as any applicable local and national codes. Any alteration, willful abuse, accident, or misuse of the product shall nullify this warranty.

SMG Hearth and Home LLC, a Manufacturing Company warrants this HP22 to be free from defects in the material or workmanship for a period of one year. During that one-year period, SMG will, at their discretion, furnish parts and labor to correct any defect caused by the faulty material or workmanship. For other warranty repairs, please read the One-Year Warranty listed below.

ONE-YEAR WARRANTY

All electrical components such as, but not limited to, blowers, wiring, safety switches, controllers, igniters, and circuit boards are covered under SMG Hearth and Home LLC's One-Year Warranty.

Burn pots, and labor are also covered under the One-Year Warranty.

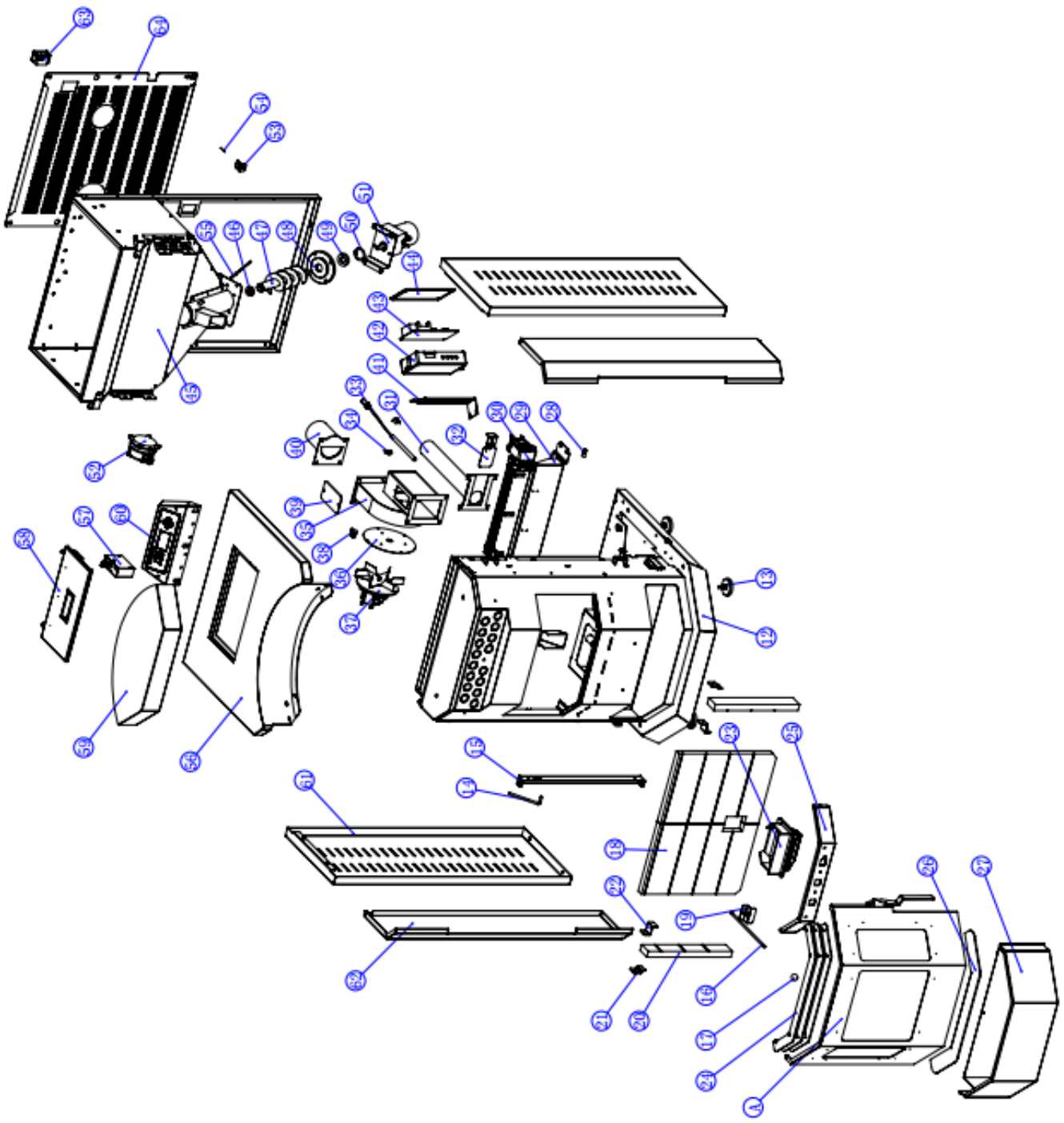
This warranty is limited to defective parts repair and/or replacement at SMG hearth and Home LLC's option, and excludes any incidental and consequential damages connected therein.

The warranty is not transferable and supersedes all other warranties either expressed or implied, and all other obligations to liabilities on our part. SMG Heath and Home LLC does not assume, and does not authorize any other person to assume for us, any liability in connection with the sale of our products. The warranty applies only to products which have not been subjected to negligent use, misuse, alteration, accident, or repairs made by anyone not certified by SMG Hearth and Home LLC. This guarantee is void unless the warranty card is properly filled out and returned to SMG Hearth and Home LLC, or completed online, at the time of purchase.

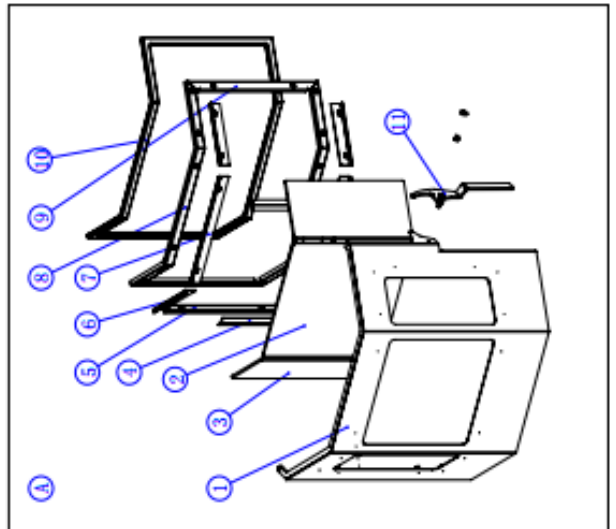


SMG Hearth and Home LLC
9241 Globe Center Dr. Suite 120
Morrisville, NC 27560
919-973-4092
www.comfortbilt.net

*Technical service calls are answered
Monday thru Friday, 9am-5pm eastern time.



Chassis and Paneling may differ by model



PARTS EXPLOSION FOR HP22N

REPERE	DESCRIPTION	QTE
1	front door weldment	1
2	middle glass	1
3	side glass	2
4	middle glass holder	2
5	door glass holder 3	2
6	door glass holder 2	4
7	door glass holder 1	2
8	long sealing groove	2
9	short sealing groove	2
10	sealing rope	1
11	door handle weldment	1
12	firebox weldment	1
13	foot	4
14	vacuum tube	1
15	front door Hinge assembly	1
16	ash cleaning rod	1
17	ash cleaning rod knob	1
18	left back vermiculite	2
19	back vermiculite holder	1
20	side vermiculite	2
21	side vermiculite holder 1	2
22	side vermiculite holder 2	2
23	burn bot	1
24	air outlet weldment	1
25	air wash box	1
26	lower decorative plate	1

27	ash pan assembly	1
28	hook pin 1	2
29	blower bracket welement	1
30	blower	1
31	air income tube weldment	1
32	air income adjustment	1
33	ignitor	1
34	ignitor holder	2
35	exhaust blower holder flange	1
36	exhaust fan fixing plate	1
37	exhaust blower assembly	1
38	fire proof switch	2
39	cleaning cutout cover	2
40	venting connector weldment	1
41	power board holder	1
42	Power strip box 1	1
43	power board	1
44	Power strip box 2	1
45	hopper assembly	1
46	top bearing	1
47	auger weldment	1
48	bearing holder	1
49	bottom bearing	1
50	circlip	1
51	feed motor	1
52	vacuum switch	1

53	room sensor holder	1
54	room sensor	1
55	safty sensor	1
56	top panel assembly	1
57	hopper switch assembly	1
58	feed door	1
59	top decoration board	1
60	controller bracket assembly	1
61	left rear door	2
62	left door	2
63	power switch	1
64	back plate	1