



Madison Rain Barrel Instructions



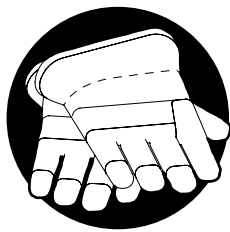
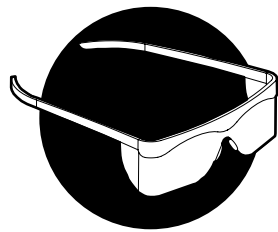
Made in Canada

1-800-984-9933

Safety

AlgreenProducts.com

- 1 READ ALL INSTRUCTIONS CAREFULLY AND BE SURE THEY ARE FULLY UNDERSTOOD BEFORE USING THE RAIN BARREL.
- 2 Install the rain barrel on a hard, flat surface to avoid tipping.
- 3 Safety glasses and gloves must be worn when cutting downspout or rain barrel outlet(s).
- 4 Ensure rain barrel screen guard is fastened in place (with screws provided) in order to prevent harm to children or pets.
- 5 KEEP THESE INSTRUCTIONS FOR FUTURE REFERENCE.



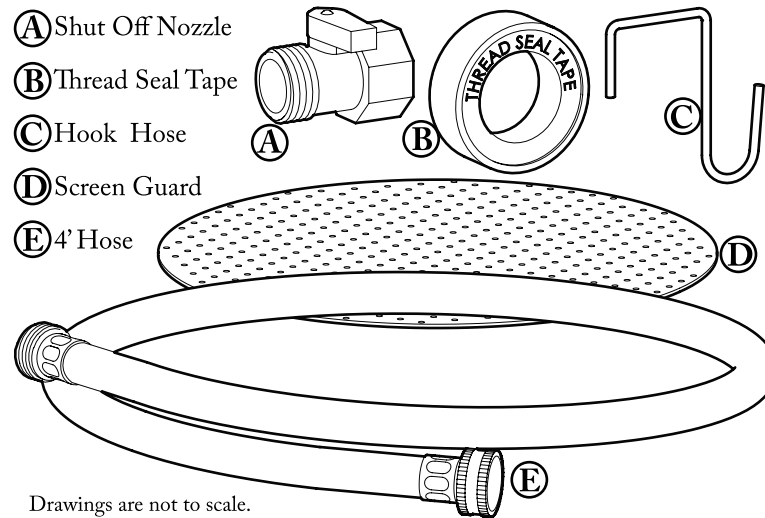
NOTE: Drain barrel in below-freezing temperatures.

WARNING: The water stored in your rain barrel is for gardening only and should not be consumed by humans or animals.

STOP Thank you for your purchase. Please do not return this unit to the store. We are happy to help! 1-800-984-9933 (8am - 5pm EST)

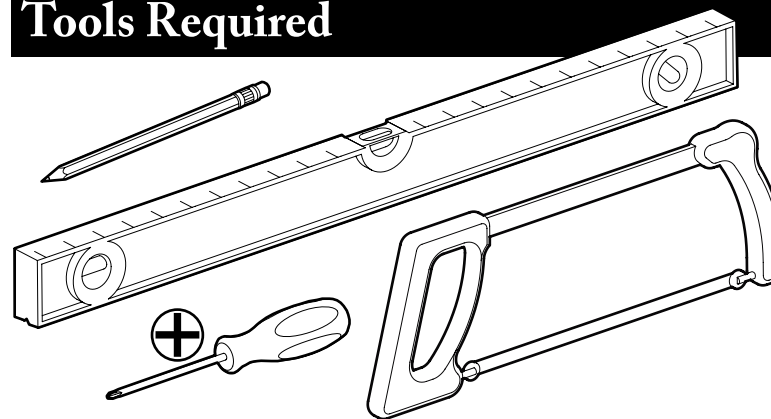
Parts List

1-800-984-9933



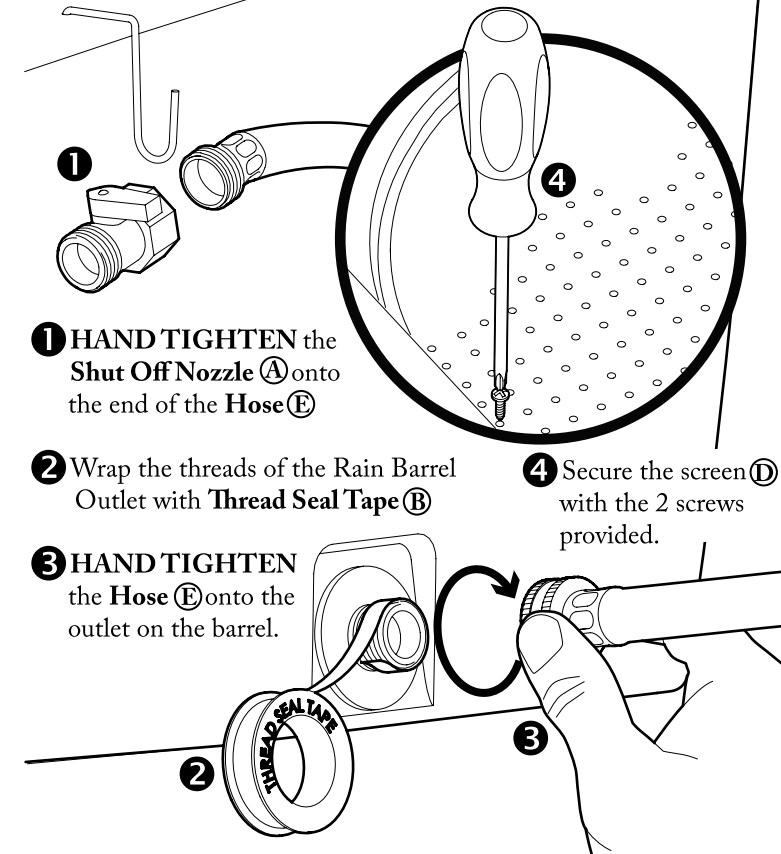
Drawings are not to scale.

Tools Required



Assembly

AlgreenProducts.com



TIP: The Shut Off Nozzle (A), Outlet and optional Pump Kits (F) are designed to fit any standard garden hose.

Installation

AlgreenProducts.com

1-800-984-9933

Rain Water Harvesting

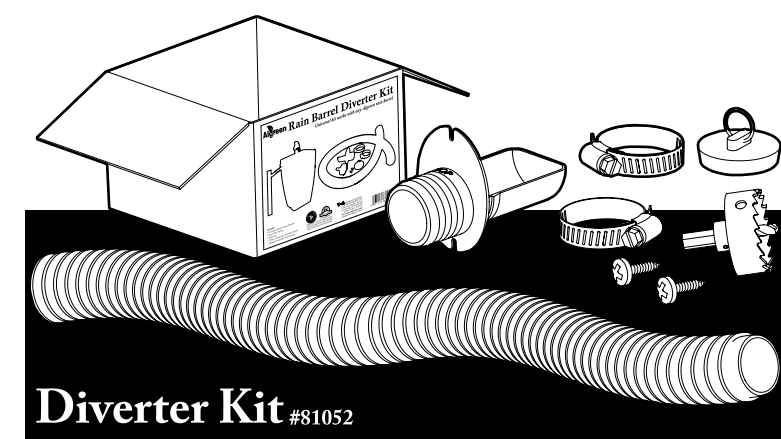
- Over 70% of the Earth is covered by water yet only 2.5% of this supply is fresh water.
- The majority of fresh water that exists is locked up in glaciers and ice caps.
- Much of the remaining fresh water is in danger from desertification and contamination.
- Changing our water use habits will help abate this growing problem.
- Installing an Algreen® rain barrel will help to reduce the amount of fresh water consumed for outdoor use.
- Your Algreen® rain barrel is an easy way to collect and store natural rain water.
- Save money by reducing water consumption.
- Store water for use during times of drought and water restrictions.
- Rain water is good for indoor and outdoor plants and is naturally low in salt and chlorine.
- Rain water is also great for washing cars and windows.
- Algreen® rain barrels are manufactured from recycled materials and are fully recyclable.



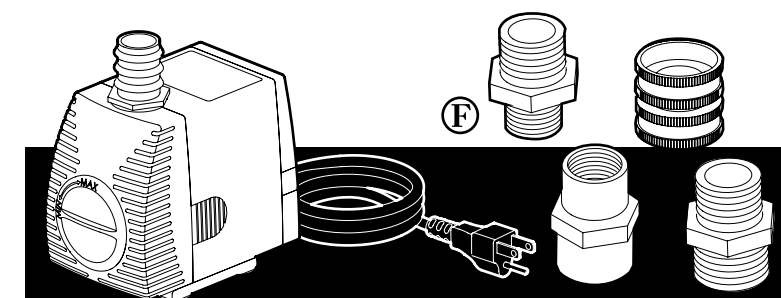
This Algreen® product carries a one-year warranty against defects in workmanship and materials. Should this Algreen® product become defective within the stated warranty period, email info@algreenproducts.com or call 1-800-984-9933 (8am-5pm EST) or with proof of purchase, and it will be replaced or repaired free of charge.

Optional Accessories

1-800-984-9933



Diverter Kit #81052



Pump Kits #81064 & 81062

