



COUNTYLINE[®]



SAW CHAIN REPLACEMENT GUIDE






CHAIN TYPE

CHAIN TYPE

1

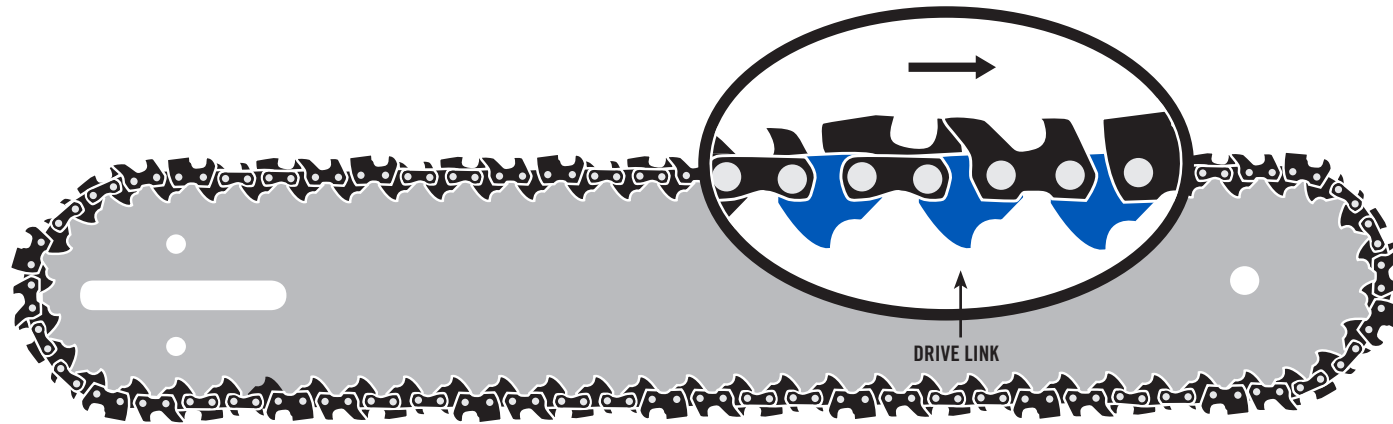
DETERMINE CHAIN TYPE

	PITCH	GAUGE
	3/8" <small>PITCH</small>	.043" S .043"
		.050" S/SC
	.325" <small>PITCH</small>	.050" M/MNK <small>NARROW KERF</small>
		.050" M/MC
		.058" / .063" M/MC .058" / .063"
	3/8" <small>PITCH</small>	.050" L/LC
		.058" L/LC .058"

Proceed to fit up chart section if you know your saw and model

2

COUNT THE TOTAL NUMBER OF DRIVE LINKS ON YOUR CHAIN



*CAUTION: IMPROPER INSTALLATION OF CHAIN MAY INCREASE THE RISK OF INJURY

3

COMBINE THE LETTER (STEP 1) AND NUMBER (STEP 2) TO DETERMINE YOUR REPLACEMENT CHAIN

$$S + 56 = S56$$

CHAIN TYPE

CHAIN LINK NUMBER

USE THE CHAIN LINK ICON TO LOCATE YOUR REPLACEMENT CHAIN



COUNTYLINE[®]

ACCESSORIES

High quality, competitively priced farm equipment and agricultural supplies. Designed for durability and superior performance, all CountyLine products come with a satisfaction guarantee.



Shop More Countyline Chainsaw Accessories @ TractorSupply.com/CountyLine



Join Neighbor's Club & Get More Rewards.
IT'S EASY AND FREE!

NEED MORE PARTS?

SEE MORE PARTS & ACCESSORIES @ [TRACTORSUPPLY.COM/PARTS](https://TractorSupply.com/parts)



THE OFFICIAL APP FOR
YOUR LIFE OUT HERE



★ POWER ★
PLUS
PROTECTION



BRAND GUIDE

BLACK & DECKER®	BAR LENGTH	CHAIN LINK ICON	CHAIN - TSC SKU# (Single/Twin Pack)	TITANIUM CHAIN - TSC SKU#	BAR & CHAIN COMBO - TSC SKU#	FILE SIZE
LCS1020	10"	S40.043	1533700	--	--	5/32"
PP610	10"	S40 / SC40	1533648	--	--	5/32"
LCS1240	12"	S45.043	--	--	--	5/32"
LOG HOG, LH1600	16"	S56 / SC56	--	--	--	5/32"
CS1216	16"	S57 / SC57	1533656	--	--	5/32"
CS1518	18"	S62 / SC62	1533657/1533658	1533696	1533672	5/32"

BLUE MAX®	BAR LENGTH	CHAIN LINK ICON	CHAIN - TSC SKU# (Single/Twin Pack)	TITANIUM CHAIN - TSC SKU#	BAR & CHAIN COMBO - TSC SKU#	FILE SIZE
MENCS18 (Silver Steel G4500)	18"	M72.058	--	--	--	3/16"

CHICAGO ELECTRIC®	BAR LENGTH	CHAIN LINK ICON	CHAIN - TSC SKU# (Single/Twin Pack)	TITANIUM CHAIN - TSC SKU#	BAR & CHAIN COMBO - TSC SKU#	FILE SIZE
<small>**ANSI B175.1 2012 and CSA Z62.3 standards for reduced-kickback saw chain does not apply to Pole Saws or Pruners</small> Pole Saw*: 68862	8"	S33 / SC33	--	--	--	5/32"
67255	14"	S52 / SC52	1533651/1533644	1533694	1533670	5/32"

CORONA® CLIPPER	BAR LENGTH	CHAIN LINK ICON	CHAIN - TSC SKU# (Single/Twin Pack)	TITANIUM CHAIN - TSC SKU#	BAR & CHAIN COMBO - TSC SKU#	FILE SIZE
<small>**ANSI B175.1 2012 and CSA Z62.3 standards for reduced-kickback saw chain does not apply to Pole Saws or Pruners</small> Pole Saw*: TP 400	10" 12"	S40 / SC40 S45 / SC45	1533648 --	-- --	-- --	5/32" 5/32"



COUNTYLINE®

BRAND GUIDE

CRAFTSMAN®/SEARS®	BAR LENGTH	CHAIN LINK ICON	CHAIN - TSC SKU# (Single/Twin Pack)	TITANIUM CHAIN - TSC SKU#	BAR & CHAIN COMBO - TSC SKU#	FILE SIZE
<small>*35098 may take 85070 or 85072 chain Replacement saw chain for OEM guide bar is 85070. Select the replacement saw chain with the same drive link count as your current saw chain **ANSI B175.1 2012 and CSA Z62.3 standards for reduced-kickback saw chain does not apply to Pole Saws or Pruners</small> 172.34120	18"	S63 / SC63	--	--	--	5/32"
<small>Model Numbers beginning with 316:</small> 34107	16"	S55 / SC55	1533653	--	1533674	5/32"
38070	16"	S57 / SC57	1533656	--	--	5/32"
38188	18"	M72 / MC72	1533659	--	--	3/16"
35084, 35085	18"	M72NK	1533666	--	--	3/16"
35022	20"	M78 / MC78	1533660/1533646	--	--	3/16"
<small>Model Numbers beginning with 358:</small> Pole Saw**: 151.75326	8"	S33 / SC33	--	--	--	5/32"
Pole Saw**: 79240, 79245, 79246	8"	S34.043	1533647	--	--	5/32"
Cordless Electric: 34130, 34131	10"	S40.043	1533700	--	--	5/32"
Pole Saw**: 43983, 172.43983	10"	S40 / SC40	1533648	--	--	5/32"
3407, 34116, 35038, 35104, 35160, 35218, 35504, 36017, 3411, 34117, 35044, 35106, 35161, 35231, 35505, 36018, 3412, 34118, 35046, 35108, 35170, 35235, 35506, 36026, 3425, 34124, 35048, 35114, 35171, 35238, 35508, 36028, 3445, 34180, 35056, 35115, 35180, 35263, 35512, 36036, 3455, 34181, 35058, 35116, 35181, 35266, 35514, 36038, 3476, 34190, 35060, 35117, 35182, 35267, 35516, 36068, 34094, 34195, 35066, 35118, 35190, 35268, 35623, 36069, 34101, 35006, 35067, 35134, 35191, 35269, 35624, 36080, 34102, 35008, 35080, 35136, 35198, 35270, 35718, 36082, 34104, 35018, 35081, 35138, 35202, 35273, 35723, 36083, 34108, 35026, 35083, 35145, 35205, 35281, 35802, 36087, 34109, 35027, 35087, 35146, 35206, 35283, 36010, 36088, 34111, 35028, 35088, 35148, 35207, 35363, 36012, 36218, 34114, 35036, 35093, 35156, 35215, 35366, 36013, 38160, 34115, 35037, 35099, 35158, 35216, 35367, 36015, 38170	10" 12" 14" 16" 18"	S40 / SC40 S45 / SC45 S52 / SC52 S56 / SC56 S62 / SC62	1533648 -- 1533651/1533644 1533654/1533655 1533657/1533658	-- -- 1533694 1533695 1533696	-- -- 1533670 1533671 1533672	5/32" 5/32" 5/32" 5/32" 5/32"
Cordless Electric: 98023	12"	S45.043	--	--	--	5/32"
Cordless Electric: 98946	12"	S45 / SC45	--	--	--	5/32"
34119	16"	S55 / SC55	1533653	--	1533674	5/32"
35618, 35623, 35238	18"	S62 / SC62	1533657/1533658	1533696	1533672	5/32"
35607, 35119, 35628	18"	M72 / MC72	1533659/1533645	--	--	3/16"
38180	18"	M72NK	1533666	--	--	3/16"
35020, 35021, 35120, 35121, 35633	20"	M78 / MC78	1533660/1533646	--	1533704	3/16"
38200	20"	M80NK	--	--	--	3/16"
35098* <small>*35098 may take 85070 or 85072 chain; original replacement saw chain for OEM guide bar is 85070</small>	20" 20"	L70 / LC70 L72 / LC72	1533663 1533664/1533690	1533698 1533699	1533676 1533689	7/32" 7/32"
35212, 35608, 35690, 35887, 35483, 35609, 35885, 35889	16" 18" 20" 24"	L60 / LC60 L66 / LC66 L70 / LC70 L81 / LC81	1533661 1533662 1533663 --	-- -- 1533698 --	-- 1533675 1533676 --	7/32" 7/32" 7/32" 7/32"

CUB CADET®

* Compare your current chain carefully as drive link counts may vary with replacement bars.
 **ANSI B175.1 2012 and CSA Z62.3 standards for reduced-kickback saw chain does not apply to Pole Saws or Pruners

	BAR LENGTH	CHAIN LINK ICON	CHAIN - TSC SKU# (Single/Twin Pack)	TITANIUM CHAIN - TSC SKU#	BAR & CHAIN COMBO - TSC SKU#	FILE SIZE
Pole Saw**: PS26	10"	S40.043	1533700	--	--	5/32"
CS3916*	14"	S52 / SC52	1533651/1533644	1533694	1533670	5/32"
	16"	S56 / SC56	1533654/1533655	1533695	1533671	5/32"
	16"	S57 / SC57	1533656	--	--	5/32"
	18"	S62 / SC62	1533657/1533658	1533696	1533672	5/32"
CS5018, CS5220	16"	M66 / MC66	--	--	--	3/16"
	18"	M72 / MC72	1533659/1533645	--	--	3/16"
	20"	M78 / MC78	1533660/1533646	--	1533704	3/16"
CS5720	18"	L68 / LC68	1533688	--	--	7/32"
	20"	L72 / LC72	1533664/1533690	1533699	1533689	7/32"
	24"	L84 / LC84	--	--	--	7/32"

DAYTON®

2Z753, 2Z970, 4Z023, 4Z573, 4Z972, 6Z823, 2Z760, 4Z022, 4Z109, 4Z971, 6Z284

	10"	S40 / SC40	1533648	--	--	5/32"
	12"	S45 / SC45	--	--	--	5/32"
	14"	S52 / SC52	1533651/1533644	1533694	1533670	5/32"
	16"	S56 / SC56	1533654/1533655	1533695	1533671	5/32"
	18"	S62 / SC62	1533657/1533658	1533696	1533672	5/32"
2Z462, 2Z561, 4Z251, 4Z252, 4Z973, 7Z627, 2Z463, 2Z971, 4Z251A, 4Z397, 6Z826, 2Z462A	16"	L60 / LC60	1533661	--	--	7/32"
	18"	L66 / LC66	1533662	--	1533675	7/32"
	20"	L70 / LC70	1533663	1533698	1533676	7/32"
	20"	L72 / LC72	1533664/1533690	1533699	1533689	7/32"
	24"	L81 / LC81	--	--	--	7/32"

DEWALT®

DCCS620B

DCC690M1, DCCS690B, DCCS690H1, DCCS690Z1, DCCS670X1

DCCS620B	12"	S45.043	--	--	--	5/32"
DCC690M1, DCCS690B, DCCS690H1, DCCS690Z1, DCCS670X1	16"	S56.043	1533702	--	--	5/32"

DOLMAR®	BAR LENGTH	CHAIN LINK ICON	CHAIN - TSC SKU# (Single/Twin Pack)	TITANIUM CHAIN - TSC SKU#	BAR & CHAIN COMBO - TSC SKU#	FILE SIZE
* These models come equipped with either a .325" or 3/8" drive sprocket. Verify your current sprocket pitch. ‡ Saw chain gauge may vary from factory. Select chain with matching gauge.						
PS32, PS34, PS35, PS45, PS341, PS401, PS350, PS420, ES171, ES173, PS3300TH, PS3410 TH, PS3410TH TLC	14" 16" 18"	S52 / SC52 S56 / SC56 S62 / SC62	1533651/1533644 1533654/1533655 1533657/1533658	1533694 1533695 1533696	1533670 1533671 1533672	5/32" 5/32" 5/32"
109*, 110*, 111*, 112*, 113*, 114*, 116*, 116si*, PS-460*, PS-510*, PS-540*, PS-5100S*, PS5105*, PS-5105H*, PS-6100*, PS-6100H*	15" 16" 18" 18" 16" 16" 18" 20" 24"	M64.058 / MC64.058 M66 / MC66 M72 / MC72 M72.058 / MC72.058 L60 / LC60 L60.058 / LC60.058 L68 / LC68 L72 / LC72 L84 / LC84	-- -- 1533659/1533645 -- 1533661 -- 1533688 1533664/1533690 --	-- -- -- -- -- -- -- 1533699 --	-- -- -- -- 1533675 -- -- 1533689 --	3/16" 3/16" 3/16" 3/16" 7/32" 7/32" 7/32" 7/32" 7/32"
117‡, 118‡, 119‡, 120‡, PS-6800i‡	16" 16" 18" 20" 24"	L60 / LC60 L60.058 / LC60.058 L68 / LC68 L72 / LC72 L84 / LC84	1533661 -- 1533688 1533664/1533690 --	-- -- -- 1533699 --	1533675 -- -- 1533689 --	7/32" 7/32" 7/32" 7/32" 7/32"
PS-6400, PS-6400H, PS6400W, PS-7300, PS-7300H, PS-7300W, PS-7310, PS-7310H, PS-7900, PS-7900H, PS-7900W, PS-7910, PS-7910H, PS-7910W, PS-7910XD, PS-9000, PS-9010	20" 24"	L72 / LC72 L84 / LC84	1533664/1533690 --	1533699 --	1533689 --	7/32" 7/32"

EARTHQUAKE®	BAR LENGTH	CHAIN LINK ICON	CHAIN - TSC SKU# (Single/Twin Pack)	TITANIUM CHAIN - TSC SKU#	BAR & CHAIN COMBO - TSC SKU#	FILE SIZE
CS3816, CS3814, CS4116	14" 16" 18"	S52 / SC52 S56 / SC56 S62 / SC62	1533651/1533644 1533654/1533655 1533657/1533658	1533694 1533695 1533696	1533670 1533671 1533672	5/32" 5/32" 5/32"
CS4518, CS4518B	18"	S62 / SC62	1533657/1533658	1533696	1533672	5/32"

EARTHWISE®	BAR LENGTH	CHAIN LINK ICON	CHAIN - TSC SKU# (Single/Twin Pack)	TITANIUM CHAIN - TSC SKU#	BAR & CHAIN COMBO - TSC SKU#	FILE SIZE
CCS30008, CVPS41008, NVPS42108, CPS40108, LPS40208, PS40008	8"	S33 / SC33	--	--	--	5/32"
PS40010, LPS4210, LCS32010, CPS40110	10"	S40 / SC40	1533648	--	--	5/32"
LCS32412	12"	S45 / SC45	--	--	--	5/32"
M1L-KW-305	14"	S53 / SC53	1533652	--	--	5/32"
CS30014, YT4729	12" 14"	S45 / SC45 S52 / SC52	-- 1533651/1533644	-- 153694	-- 1533670	5/32" 5/32"
CS30016 * Saw chain for original equipment bar is 15057	16" 16"	S56 / SC56 S57* / SC57*	1533654/1533655 1533656	1533695 --	1533671 --	5/32" 5/32"

ECHO®

* May take .043" or .050" type saw chain. Compare your current saw chain.
 ** May take standard or narrow kerf type saw chain.
 ‡ Saw chain gauge may vary from factory. Select chain with matching gauge.
 ***ANSI B175.1 2012 and CSA 262.3 standards for reduced-kickback saw chain does not apply to Pole Saws or Pruners

	BAR LENGTH	CHAIN LINK ICON	CHAIN - TSC SKU# (Single/Twin Pack)	TITANIUM CHAIN - TSC SKU#	BAR & CHAIN COMBO - TSC SKU#	FILE SIZE	
CS305‡, CS306‡	12"	S45.043	--	--	--	5/32"	
	12"	S45 / SC45	--	--	--	5/32"	
	14"	S52.043	1533701	--	--	5/32"	
	14"	S52 / SC52	1533651/1533644	1533694	1533670	5/32"	
CS-271T*	10"	S40.043	1533700	--	--	5/32"	
	10"	S40 / SC40	1533648	--	--	5/32"	
	12"	S45 / SC45	--	--	--	5/32"	
CS30, (6/78 – 9/80), CS280, CS290, CS300, CS301, CS302, (after serial # 0015304), CS303T, CS305, CS306, CS310, CS315, CS330, CS330T, CS330MX4, CS340, CS341, CS345, CS346, CS351, (after serial # 00112195), CS352, CS355T, CS360, CS360T, CS-361P, CS370, CCS-370F, CS370T, CS400, CS-400F, (after serial # 09001001), CS3000, CS3400, CS3450, ECS2000, ECS3000 * Original equipment guide bar uses 15057 chain	10"	S40 / SC40	1533648	--	--	5/32"	
	12"	S45 / SC45	--	--	--	5/32"	
	14"	S52 / SC52	1533651/1533644	1533694	1533670	5/32"	
	16"	S56 / SC56	1533654/1533655	1533695	1533671	5/32"	
	16"	S57* / SC57*	1533656	--	--	5/32"	
	18"	S62 / SC62	1533657/1533658	1533696	1533672	5/32"	
Pole Saw***: PPF-210, PPF-211, PPT-230, PPT-231, PPT-260, PPT-261, Power Pruner: PP300, PP400, PP800, PP1200, PP1250, PP1260, PP1400, PP1400-D, PPF-2100, PPF-2400, PPSR-2122, PPT-2100, PPT-2400	8"	S34 / SC34	--	--	--	5/32"	
	10"	S39.043	--	--	--	5/32"	
	10"	S39 / SC39	1533691	--	--	5/32"	
	12"	S44.043	--	--	--	5/32"	
	12"	S44 / SC44	--	--	--	5/32"	
Pole Saw***: PPF-225, PPF-280, PPT-265, PPT-265S, PPT-265H, PPT-266H, PPT-266S, PPT-280 * For original equipment guide bars	10"	S39.043*	--	--	--	5/32"	
	10"	S39* / SC39*	1533691	--	--	5/32"	
	10"	S40 / SC40	--	--	--	5/32"	
	12"	S44.043*	--	--	--	5/32"	
	12"	S44* / SC44*	--	--	--	5/32"	
	12"	S45.043	--	--	--	5/32"	
	12"	S45 / SC45	--	--	--	5/32"	
	14"	S49.043*	--	--	--	5/32"	
	14"	S49* / SC49*	1533649	--	--	5/32"	
	14"	S52.043	1533701	--	--	5/32"	
	14"	S52 / SC52	1533651/1533644	1533694	1533670	5/32"	
	CS400EVL, CS440, CS440EVL, CS510, CS3600, CS3900, CS4000, CS4100, CS4400, CS4500, CS4600, CS5000, CS520**	16"	M66 / MC66	--	--	--	3/16"
		18"	M72 / MC72	1533659/1533645	--	--	3/16"
20"		M78 / MC78	1533660/1533646	--	1533704	3/16"	
CS450**, CS450P**, CS500P**, CS530**, CS550P**	16"	M66 / MC66	--	--	--	3/16"	
	16"	M66NK	1533665	--	1533703	3/16"	
	18"	M72 / MC72	1533659/1533645	--	--	3/16"	
	18"	M72NK	1533666	--	--	3/16"	
	20"	M78 / MC78	1533660/1533646	--	1533704	3/16"	
	20"	M78NK	--	--	--	3/16"	
CS-620P, CS-620PQ, CS650, CS660, CS670, CS680, CS701, CS702, CS706, CS750, CS6700, CS501EVL, CS510EVL, CS8000, CST610	16"	L60 / LC60	1533661	--	--	7/32"	
	18"	L66 / LC66	1533662	--	1533675	7/32"	
	20"	L70 / LC70	1533663	1533698	1533676	7/32"	
	24"	L81 / LC81	--	--	--	7/32"	
CS-900, CS-1001	16"	L60 / LC60	1533661	--	--	7/32"	
	18"	L64 / LC64	--	--	--	7/32"	
	18"	L66 / LC66	1533662	--	1533675	7/32"	
	20"	L70 / LC70	1533663	1533698	1533676	7/32"	

EFCO-EMAK®	BAR LENGTH	CHAIN LINK ICON	CHAIN - TSC SKU# (Single/Twin Pack)	TITANIUM CHAIN - TSC SKU#	BAR & CHAIN COMBO - TSC SKU#	FILE SIZE
* May take .325" or 3/8" type saw chain. Compare current saw chain carefully. † Saw chain gauge may vary from factory. Select chain with matching gauge. *ANSI B175.1 2012 and CSA 282.3 standards for reduced-kickback saw chain does not apply to Pole Saws or Pruners						
Pruner / Pole Saws*: Multi Mate Pruner, PT2500, PT2700, PTX2500, PTX2700	10"	S39.043	--	--	--	5/32"
MT3500, MT3500SS	14" 16"	S53 / SC53 S57 / SC57	1533652 1533656	-- --	-- --	5/32" 5/32"
132S, MT3700, MT4000, MT3600, MT3750, MT4100 SP *Original equipment guide bar uses 57 drive links	12" 14" 16" 16"	S45 / SC45 S52 / SC52 S56 / SC56 S57* / SC57*	-- 1533651/1533644 1533654/1533655 1533656	-- 1533694 1533695 --	-- 1533670 1533671 --	5/32" 5/32" 5/32" 5/32"
MT4400	16" 18"	M66NK M72NK	1533665 1533666	-- --	1533703 --	3/16" 3/16"
147‡, 152‡, MT5200‡	16" 16" 18" 18"	M66 / MC66 M66.058 / MC66.058 M72 / MC72 M72.058 / MC72.058	-- -- 1533659/1533645 --	-- -- -- --	-- -- -- --	3/16" 3/16" 3/16" 3/16"
156*, 165*	16" 18" 20" 16" 18" 20" 24"	M66.058 / MC66.058 M72.058 / MC72.058 M78.058 / MC78.058 L60 / LC60 L68 / LC68 L72 / LC72 L84 / LC84	-- -- -- 1533661 1533688 1533664/1533690 --	-- -- -- -- -- 1533699 --	-- -- -- -- -- 1533689 --	3/16" 3/16" 3/16" 7/32" 7/32" 7/32" 7/32"
181‡, MT6500‡, MT7200‡, MT8200‡	20" 24"	L72 / LC72 L84 / LC84	1533664/1533690 --	1533699 --	1533689 --	7/32" 7/32"

GREENWORKS®	BAR LENGTH	CHAIN LINK ICON	CHAIN - TSC SKU# (Single/Twin Pack)	TITANIUM CHAIN - TSC SKU#	BAR & CHAIN COMBO - TSC SKU#	FILE SIZE
*ANSI B175.1 2012 and CSA 282.3 standards for reduced-kickback saw chain does not apply to Pole Saws or Pruners						
Pole Saw*: 1400102 24V Li-ION, 20352 24V Li-ION, 20672 40V G-Max, 20302 40V G-Max, 20612 20V Li-ION, 20192 6.5A	8"	S33 / SC33	--	--	--	5/32"
20062 7A 2-in-1, 20362 24V Li-ION, 2000102 24V Li-ION, 20V Li-ION	10"	S40 / SC40	1533648	--	--	5/32"
20262 40V G-Max, 20292 40V G-Max, 20202 40V G-Max	12"	S45 / SC45	--	--	--	5/32"
20012 9A Electric, 20222 9A Electric	14"	S52 / SC52	1533651/1533644	1533694	1533670	5/32"
20152 DigiPro 40V, 20312 DigiPro G-Max 40V, 20322 DigiPro G-Max 40V	16"	S56.043	1533702	--	--	5/32"
20022 12A, 20232 12A	16"	S56 / SC56	1533654/1533655	1533695	1533671	5/32"
GCS80420, GCS80421, 200002 80V	18"	S62 / SC62	1533657/1533658	1533696	1533672	5/32"
20032 13A, 20332 14.5	18"	S63 / SC63	--	--	--	5/32"

HITACHI®	BAR LENGTH	CHAIN LINK ICON	CHAIN - TSC SKU# (Single/Twin Pack)	TITANIUM CHAIN - TSC SKU#	BAR & CHAIN COMBO - TSC SKU#	FILE SIZE
CS36DLP4	12"	S45 / SC45	--	--	--	5/32"
CS33ET14, CS33EB16	14"	S52 / SC52	1533651/1533644	1533694	1533670	5/32"
	16"	S57 / SC57	1533656	--	--	5/32"
CS40EA18	18"	M72NK	1533666	--	--	3/16"
CS51EAP	16"	M66NK	1533665	--	1533703	3/16"
	18"	M72NK	1533666	--	--	3/16"
	20"	M78 / MC78	1533660/1533646	--	1533704	3/16"

HOMELITE®	BAR LENGTH	CHAIN LINK ICON	CHAIN - TSC SKU# (Single/Twin Pack)	TITANIUM CHAIN - TSC SKU#	BAR & CHAIN COMBO - TSC SKU#	FILE SIZE
<small>*ANSI B175.1 2012 and CSA 292.3 standards for reduced-kickback saw chain does not apply to Pole Saws or Pruners</small> Pole Saw*: Expandit-Pruner, UT15520A ExactFit	10"	S40.043	1533700	--	--	5/32"
EL12, EL14, EL16	12"	S45 / SC45	--	--	--	5/32"
	14"	S50 / SC50	1533650	--	1533673	5/32"
	16"	S56 / SC56	1533654/1533655	1533695	1533671	5/32"
20, 20AV, 23, 23AV, 3300, 3314, 3316, 3318, 3350, 3550, 3800, 3850, PS33, Ranger, UT10510, UT10514, UT10516, UT10517, UT10530, UT10530A, UT10540, UT10542, UT10544, UT10546, UT10548, UT10549, UT10560, UT10562, UT10564, UT10566, UT10568, UT10569, UT10580, UT10582, UT10584, UT10586, UT10588, UT10589, UT10640, UT10660, UT10680, UT10901, UT10901A, UT10926, UT10947A, UT10947D, UT43100, UT43102, UT43103, UT43120, UT43122, ZR10540, ZR10560, ZR10580	14"	S52 / SC52	1533651/1533644	1533694	1533670	5/32"
	16"	S56 / SC56	1533654/1533655	1533695	1533671	5/32"
	18"	S62 / SC62	1533657/1533658	1533696	1533672	5/32"
180, 190, 192, 200, 200 electric, 245 (before XE339), Bandit, Classic 192, Little Red, LX30, Super 2, Super 2CC, VI Super 2, XEL-14, XEL, XL, XL2 (after # 5042001), XL-10, XL-14, XL-16, XL2CC	12"	S48 / SC48	--	--	--	5/32"
	14"	S53 / SC53	1533652	--	--	5/32"
	16"	S59 / SC59	--	--	--	5/32"
	18"	S64 / SC64	--	--	--	5/32"
25, 27, 4100, 4150, 4500, 4550, Super 240, Timberman, UT10518, UT10519, UT10520, UT10522, UT10550, UT10552, UT10526, UT10927A, UT10942A, UT10946A, ZR10518, ZR10520, ZR10522	16"	M66 / MC66	--	--	--	3/16"
	18"	M72 / MC72	1533659/1533645	--	--	3/16"
	20"	M78 / MC78	1533660/1533646	--	1533704	3/16"
245 (after XE339), 252, 300	16"	M67 / MC67	--	--	--	3/16"
	18"	M73 / MC73	--	--	--	3/16"
130, 150, 150AO, 250, 300, 340, Big Red, EZ 250, EZ Series, Mini SL, Super EZAO, V-15 Mini, S6, XL 76, XL 100 Series	16"	L59 / LC59	--	--	--	7/32"
	20"	L70 / LC70	1533663	1533698	1533676	7/32"
330, 360, 410, 450, 460, 540, 550, 650, 750, 825, 850, 922, 923, 925, 35 SL Super, Super XL, Super XLA0, SXL 922, SXL 923, SXL 925, VI 955, XL (700, 800, 900, Series), XL 12, XL 15, XL400	16"	L60 / LC60	1533661	--	--	7/32"
	18"	L66 / LC66	1533662	--	1533675	7/32"
	20"	L70 / LC70	1533663	1533698	1533676	7/32"
	24"	L81 / LC81	--	--	--	7/32"

HUSQVARNA®

* May take different pitch or gauge saw chain. Compare pitch and gauge of current chain carefully.
 ** May take .325" narrow kerf, or .325" standard type saw chain. Some bars have a larger profile requiring an 80 drive link saw chain.
 † May take .325" or 3/8" pitch saw chain. Compare current saw chain carefully.
 ‡ May take 3/8"LP, .325" narrow kerf, or .325" standard type saw chain. Compare current saw chain carefully.
 *** Check drive sprocket to make sure chain saw is using a 3/8"LP sprocket.
 ****ANSI B175.1 2012 and CSA 262.3 standards for reduced-kickback saw chain does not apply to Pole Saws or Pruners

	BAR LENGTH	CHAIN LINK ICON	CHAIN - TSC SKU# (Single/Twin Pack)	TITANIUM CHAIN - TSC SKU#	BAR & CHAIN COMBO - TSC SKU#	FILE SIZE
Pole Saw****: 128LDX, 325P4, 326P4, 325P5X, 326P5X, 327P4X, 327P5X	10"	S40.043	1533700	--	--	5/32"
436Li***, 536Li XP***, T536Li XP***	10"	S40.043	1533700	--	--	5/32"
	12"	S45.043	--	--	--	5/32"
	14"	S52.043	1533701	--	--	5/32"
34, 35, 37, 335, 325P4, 325P5X, 326P4, 326P5X, 334T, 316E, 1400, 1600, EL 316, T435, T540	12"	S45 / SC45	--	--	--	5/32"
	14"	S52 / SC52	1533651/1533644	1533694	1533670	5/32"
	16"	S56 / SC56	1533654/1533655	1533695	1533671	5/32"
	16"	M66 / MC66	--	--	--	3/16"
338XPT‡‡, 339XPT‡‡	12"	S45 / SC45	--	--	--	5/32"
	14"	S52 / SC52	1533651/1533644	1533694	1533670	5/32"
	16"	S56 / SC56	1533654/1533655	1533695	1533671	5/32"
	16"	M66 / MC66	--	--	--	3/16"
	16"	M66NK	1533665	--	1533703	3/16"
	16"	M66.058 / MC66.058	--	--	--	3/16"
	18"	M72 / MC72	1533659/1533645	--	--	3/16"
	18"	M72NK	1533666	--	--	3/16"
	18"	M72.058 / MC72.058	--	--	--	3/16"
	18"	M72.058 / MC72.058	--	--	--	3/16"
36*, 41*, 136*, 137*, 141*, 142*, 235*, 235E*, 240*, 240e*	14"	S52 / SC52	1533651/1533644	1533694	1533670	5/32"
	16"	S56.043	1533702	--	--	5/32"
	16"	S56 / SC56	1533654/1533655	1533695	1533671	5/32"
	18"	S62 / SC62	1533657/1533658	1533696	1533672	5/32"
	16"	M66 / MC66	--	--	--	3/16"
	16"	M66NK	1533665	--	1533703	3/16"
	16"	M66.058 / MC66.058	--	--	--	3/16"
	18"	M72 / MC72	1533659/1533645	--	--	3/16"
	18"	M72NK	1533666	--	--	3/16"
	18"	M72.058 / MC72.058	--	--	--	3/16"
	20"	M78 / MC78	--	--	--	3/16"
	20"	M78NK	--	--	--	3/16"
	24"	M78.058 / MC78.058	--	--	--	3/16"
	234**, 238**, 242**, 246**, 340**, 340E**, 345**, 345E**, 346**, 346xp**, 350**, 350E**, 351**, 353**, 435**, 435E**, 440**, 440E**, 445**, 445E**, 450**, 550XP, 550XPG	16"	M66NK	1533665	--	--
16"		M66.058 / MC66.058	--	--	--	3/16"
18"		M72NK	1533666	--	--	3/16"
18"		M72.058 / MC72.058	--	--	--	3/16"
20"		M78NK	--	--	--	3/16"
20"		M78.058 / MC78.058	--	--	--	3/16"
55 Rancher‡, 254‡, 254XP‡, 257‡, 261‡, 262‡, 262XP‡, 357XP‡, 359‡, 362‡, 362XP‡, 455 Rancher‡, 460 Rancher‡, 555‡, 550XPG‡, 560XP‡, 560XPG‡	16"	M66 / MC66	--	--	--	3/16"
	16"	M66NK	1533665	--	--	3/16"
	16"	M66.058 / MC66.058	--	--	--	3/16"
	18"	M72 / MC72	1533659/1533645	--	--	3/16"
	18"	M72NK	1533666	--	--	3/16"
	18"	M72.058 / MC72.058	--	--	--	3/16"
	20"	M78 / MC78	1533660/1533646	--	1533704	3/16"
	20"	M78NK	--	--	--	3/16"
	24"	M80NK	--	--	--	3/16"
	16"	L60 / LC60	1533661	--	--	7/32"
	16"	L60.058 / LC60.058	--	--	--	7/32"
	18"	L68 / LC68	1533688	--	--	7/32"
	20"	L72 / LC72	1533664/1533690	1533699	1533689	7/32"
	24"	L84 / LC84	--	--	--	7/32"

HUSQVARNA® (CONT.)

	BAR LENGTH	CHAIN LINK ICON	CHAIN - TSC SKU# (Single/Twin Pack)	TITANIUM CHAIN - TSC SKU#	BAR & CHAIN COMBO - TSC SKU#	FILE SIZE
65, 66, 70, 77, 181, 185, 260, 266, 268, 272, 281, 285, 288, 288XP, 298*, 365, 371, 372, 372XP, 372XPG, 372XPW, 380, 385XP, 390XP*, 390XPG*, 390XPW*, 394*, 395*, 395XPW*, 465 Rancher, 480, 562XP, 570, 575XP, 575XPG, 575XPW, 576XP Auto Tune, 576XPW, 1100*, 2100*, 2101*, 3120*	16"	L60 / LC60	1533661	--	--	7/32"
	16"	L60.058 / LC60.058	--	--	--	7/32"
	18"	L68 / LC68	1533688	--	--	7/32"
	20"	L72 / LC72	1533664/1533690	1533699	1533689	7/32"
	24"	L84 / LC84	--	--	--	7/32"

JOHN DEERE®

*ANSI B175.1 2012 and CSA 292.3 standards for reduced-kickback saw chain does not apply to Pole Saws or Pruners

Pole Saw*: PS2383, PS2683, PSA10	10"	S40.043	1533700	--	--	5/32"
28, 30, 25EV, 28V, 30V, 35EV, 40V, CS36, CS36 LE, CS40, CS40 LE, CS40V, J381 *Original equipment guide bar uses 57 drive links	12"	S45 / SC45	--	--	--	5/32"
	14"	S52 / SC52	1533651/1533644	1533694	1533670	5/32"
	16"	S56 / SC56	1533654/1533655	1533695	1533671	5/32"
	16"	S57* / SC57*	1533656	--	--	5/32"
	18"	S62 / SC62	1533657/1533658	1533696	1533672	5/32"
45EV, 46EV, 300CS, 450V	16"	M66 / MC66	--	--	--	3/16"
	18"	M72 / MC72	1533659/1533645	--	--	3/16"
	20"	M78 / MC78	1533660/1533646	--	1533704	3/16"
65, 50AV, 50V, 51SV, 55SV, 55V, 60V, 66SV, 70V, 80EV	16"	L60 / LC60	1533661	--	--	7/32"
	18"	L66 / LC66	1533662	--	1533675	7/32"
	20"	L70 / LC70	1533663	1533698	1533676	7/32"
	24"	L81 / LC81	--	--	--	7/32"

JONSERED®

* These models come equipped with either a .325" or 3/8" drive sprocket. Verify the sprocket pitch on your chain saw.

** May take .325" narrow kerf, or .325" standard type saw chain.

† May take 3/8"LP (.043", .050") or .325" narrow kerf type saw chain. Compare current chain carefully.

CS2139T	12"	S45 / SC45	--	--	--	5/32"
	14"	S52 / SC52	1533651/1533644	1533694	1533670	5/32"
	16"	S56 / SC56	1533654/1533655	1533695	1533671	5/32"
CS2137, CS2138	12"	S45 / SC45	--	--	--	5/32"
	14"	S52 / SC52	1533651/1533644	1533694	1533670	5/32"
	16"	S56 / SC56	1533654/1533655	1533695	1533671	5/32"
	18"	S62 / SC62	1533657/1533658	1533696	1533672	5/32"
CS2234S†, CS2238†	14"	S52 / SC52	1533651/1533644	1533694	1533670	5/32"
	16"	S56 / SC56	1533654/1533655	1533695	1533671	5/32"
	18"	S62 / SC62	1533657/1533658	1533696	1533672	5/32"
	16"	M66NK	1533665	--	1533703	3/16"
	18"	M72NK	1533666	--	--	3/16"
45, 49, 50, 51, 52, 410, 420, 425, 435, 450, 451, 455, 510, 521, 535	15"	M64.058 / MC64.058	--	--	--	3/16"
	16"	M66.058 / MC66.058	--	--	--	3/16"
	18"	M72.058 / MC72.058	--	--	--	3/16"
	20"	M78.058 / MC78.058	--	--	--	3/16"

JONSERED® (CONT.)	BAR LENGTH	CHAIN LINK ICON	CHAIN - TSC SKU# (Single/Twin Pack)	TITANIUM CHAIN - TSC SKU#	BAR & CHAIN COMBO - TSC SKU#	FILE SIZE
* These models come equipped with either a .325" or 3/8" drive sprocket. Verify the sprocket pitch on your chain saw. ** May take .325" narrow kerf, or .325" standard type saw chain. ‡ May take 3/8"LP (.043"-.050") or .325" narrow kerf type saw chain. Compare current chain carefully.						
2149 Turbo**, 2050**, CS2145**, CS2149**, CS2150**, CS2152**, CS2153**, CS2240**, CS2245**, CS2250**, CS2250S**, CS2252**, CS2253**	15" 16" 16" 18" 18" 20" 20" 24"	M64.058 / MC64.058 M66NK M66.058 / MC66.058 M72NK M72.058 / MC72.058 M78NK M78.058 / MC78.058 M80NK	-- 1533665 -- 1533666 -- -- -- --	-- -- -- -- -- -- -- --	-- 1533703 -- -- -- -- -- -- --	3/16" 3/16" 3/16" 3/16" 3/16" 3/16" 3/16" 3/16"
2054*, 2055*, CS2156*, CS2159*	15" 16" 16" 18" 18" 16" 18" 20"	M64.058 / MC64.058 M66NK M66.058 / MC66.058 M72NK M72.058 / MC72.058 L60 / LC60 L68 / LC68 L72 / LC72	-- 1533665 -- 1533666 -- 1533661 1533688 1533664/1533690	-- -- -- -- -- -- -- 1533699	-- 1533703 -- -- -- -- -- -- 1533689	3/16" 3/16" 3/16" 3/16" 3/16" 7/32" 7/32" 7/32"
520SP*, 535*, 2163*, CS2163, CS2255*, CS2258*, CS2260*	15" 16" 18" 20" 16" 18" 20"	M64.058 / MC64.058 M66.058 / MC66.058 M72.058 / MC72.058 M78.058 / MC78.058 L60 / LC60 L68 / LC68 L72 / LC72	-- -- -- -- 1533661 1533688 1533664/1533690	-- -- -- -- -- -- 1533699	-- -- -- -- -- -- 1533689	3/16" 3/16" 3/16" 3/16" 7/32" 7/32" 7/32"
60, 61, 62, 66, 70, 75, 77, 80, 81, 90, 110, 111, 601, 621, 751, 801, 820, 830, 910, 920, 939, 1020	16" 16" 20"	L60 / LC60 LC60.058 / LC60.058 L70 / LC70	1533661 -- 1533663	-- -- 1533698	-- -- 1533676	7/32" 7/32" 7/32"
625, 630, 630 Super, 630 West Coast, 2065, 2071, 2077, 2165, 2171, CS 2165, CS 2166, CS 2171, CS 2171 WH, CS 2172, CS 2172 WH, CS 2186, CS 2186 WH, CS 2188, 670, 670 West Coast, 2083, 2083II, 2094, 2095	16" 18" 20" 24"	L60 / LC60 L68 / LC68 L72 / LC72 L84 / LC84	1533661 1533688 1533664/1533690 --	-- -- 1533699 --	-- -- 1533689 --	7/32" 7/32" 7/32" 7/32"

KOBALT®	BAR LENGTH	CHAIN LINK ICON	CHAIN - TSC SKU# (Single/Twin Pack)	TITANIUM CHAIN - TSC SKU#	BAR & CHAIN COMBO - TSC SKU#	FILE SIZE
ANSI B175.1 2012 and CSA 282.3 standards for reduced-kickback saw chain does not apply to Pole Saws or Pruners Pole Saw: KPS 80-06 40V, 506891 40V	8"	S33 / SC33	--	--	--	5/32"
KCS 120-06, 506890 40V	12"	S45 / SC45	--	--	--	5/32"
KCS 180B-06	18"	S62 / SC62	1533657/1533658	1533696	1533672	5/32"

MAKITA®	BAR LENGTH	CHAIN LINK ICON	CHAIN - TSC SKU# (Single/Twin Pack)	TITANIUM CHAIN - TSC SKU#	BAR & CHAIN COMBO - TSC SKU#	FILE SIZE
<small>* May take .325" or 3/8" standard saw chain. Compare current saw chain carefully. † Saw chain gauge may vary from factory. Select chain with matching gauge.</small>						
HCU02C1, HCU02ZX2, XCU02 <small>*Original equipment saw chain</small>	12" 12"	S45.043 S46.043*	-- --	-- --	-- --	5/32" 5/32"
DCS34, DCS340, DCS341, DCS400, DCS401, DCS390S, DCS3416, EA3201S35B, EA4300F40B, UC3530A, UC4000, UC4030A	14" 16" 18"	S52 / SC52 S56 / SC56 S62 / SC62	1533651/1533644 1533654/1533655 1533657/1533658	1533694 1533695 1533696	1533670 1533671 1533672	5/32" 5/32" 5/32"
5012B, 5014NB, 5016NB	12" 14" 16" 18"	S45 / SC45 S52 / SC52 S56 / SC56 S62 / SC62	-- 1533651/1533644 1533654/1533655 1533657/1533658	-- 1533694 1533695 1533696	-- 1533670 1533671 1533672	5/32" 5/32" 5/32" 5/32"
DCS430, DCS431	16" 18" 20"	M66 / MC66 M72 / MC72 M78 / MC78	-- 1533659/1533645 1533660/1533646	-- -- --	-- -- 1533704	3/16" 3/16" 3/16"
DCS460*, DCS510*, DCS520i*, DCS540*, DCS5121*, DCS5200i*, DCS6000i*, EA5000P53G*, EA6100P53E*, EA6101P53G*	16" 18" 20" 20"	M66 / MC66 M72 / MC72 M78 / MC78 L72 / LC72	-- 1533659/1533645 1533660/1533646 1533664/1533690	-- -- -- 1533699	-- -- 1533704 1533689	3/16" 3/16" 3/16" 7/32"
DCS6000i, DCS6800i	20"	L72 / LC72	1533664/1533690	1533699	1533689	7/32"
DCS6400†, DCS6401†, DCS6420†, DCS6421†, DCS7300†, DCS7301†, DCS7900†, DCS7901†	16" 18" 20" 24"	L60 / LC60 L68 / LC68 L72 / LC72 L84 / LC84	1533661 1533688 1533664/1533690 --	-- -- 1533699 --	-- -- 1533689 --	7/32" 7/32" 7/32" 7/32"

MCCULLOCH®						
<small>Replacement chain for chain saws with McCulloch guide bars may vary. Select a replacement chain with the same number of drive links as your current chain. *ANSI B175.1 2012 and CSA 262.3 standards for reduced-kickback saw chain does not apply to Pole Saws or Pruners</small>						
Pole Saw*: MS1015P, MCP1510	10"	S39 / SC39	1533691	--	--	5/32"
Eager Beaver: 12ES, 14ES, 16ES, 250-14, 300S-16, Electramac: 10ES, 12ES, 14ES, 16ES, 200-12, 250-12, 250-14, 300S-16, 450S-16, Electric: MCC3516F, MCC4516F, MCC4516FK, Silver Eagle: 250-14, 300S-16, MS1425, MS1630, MS1640	10" 12" 14" 16"	S39 / SC39 S45 / SC45 S50 / SC50 S55 / SC55	1533691 -- 1533650 1533653	-- -- -- --	-- -- 1533673 1533674	5/32" 5/32" 5/32" 5/32"
MacCat Super: 1434NAVVP, 1436NAV, 1636NAVCC, MS1639NAVCC, MS1839, EB428, MS1842AVCC	14" 16" 18"	S49 / SC49 S54 / SC54 S60 / SC60	1533649 -- --	-- -- --	-- -- --	5/32" 5/32" 5/32"
MC4218AV, MC3516, MCC1435A, MCC1840B, MP406, MS354A, MS4016P, MS4018P, MXC1840D, MXC1840DK, Eager Beaver: 356, 358, EBC1840DK, Mac Cat: 438	14" 16" 18"	S52 / SC52 S56 / SC56 S62 / SC62	1533651/1533644 1533654/1533655 1533657/1533658	1533694 1533695 1533696	1533670 1533671 1533672	5/32" 5/32" 5/32"
Eager Beaver: 2.0/2.1 Series, Electric: MCC1514, Electramac: 2010, 2014, 2016, 2116, 2310, 12AS, 14A/S, 35A/S, 10E, 12E, 14E, 12AE, 14AE, EM14E, EM16E, Mac: 110, 115, 120, 130, 140, 380, 400, 430, 435, 440, 445, 160S, 3200, 3205, 3210, 3214, 3216, 3505, 3514, 3516, 3518, 3816, 3818AV, MacCat Super: 165, 175, 310, 320, 330, 340, 355, 365, 375, 510, 515, 6AV, 8AV, MS1415, MS1420, MS1430, MS1432, MS1435, MS1453, MS1455, MS1635, MS1838, PM155, Mini Mac, PM425, Silver Eagle: 2010, 2316, 2012S, 2014S, 2016S, 2116AVS, 2318AVS Super: 2316, 2318AV, Titan: 35, 38, 40, Wildcat/MacCat	12" 14" 14" 14" 18"	S44 / SC44 S49 / SC49 S54 / SC54 S60 / SC60	-- 1533649 -- --	-- -- -- --	-- -- -- --	5/32" 5/32" 5/32" 5/32" 5/32"
Mac: 1846, 4600, 4700, 4900 Series, 5000, 5500, 1849AV, 2046AV, 2049AV, MacCat Super: MS1850, MS2046, MS2049, MS2050, ProMac: 1845AV, 40, 46, Silver Eagle: 2818, 3020	16" 18" 20"	M66 / MC66 M72 / MC72 M78 / MC78	-- 1533659/1533645 1533660/1533646	-- -- --	-- -- 1533704	3/16" 3/16" 3/16"
10-10A, CP55, CP70, CP70L, Double Eagle: 50, 80, Eager Beaver: 3.4, 3.7, Mac: 1-10, 2-10, 3-10, 4-10, 5-10, 6-10, 7-10, 10-10, Pro: 10-10A, Pro Mac: 55, 555, 570, 5700, 60, 605, 610, 650, 655, 700, 800, 805, 850, Silver Eagle: 3420, 3720, Super Pro: 60, 70, 80, 81, Titan: 50, 57, Timber Bear	16" 18" 20" 24"	L60 / LC60 L66 / LC66 L70 / LC70 L81 / LC81	1533661 1533662 1533663 --	-- -- 1533698 --	-- 1533675 1533676 --	7/32" 7/32" 7/32" 7/32"

MILWAUKEE®	BAR LENGTH	CHAIN LINK ICON	CHAIN - TSC SKU# (Single/Twin Pack)	TITANIUM CHAIN - TSC SKU#	BAR & CHAIN COMBO - TSC SKU#	FILE SIZE
6215	16"	S57 / SC57	1533656	--	--	5/32"

OLEO-MAC®	BAR LENGTH	CHAIN LINK ICON	CHAIN - TSC SKU# (Single/Twin Pack)	TITANIUM CHAIN - TSC SKU#	BAR & CHAIN COMBO - TSC SKU#	FILE SIZE
240, 241, 244	14" 16"	S50 / SC50 S55 / SC55	1533650 1533653	-- --	1533673 1533674	5/32" 5/32"
250, 250A, 251, 252, 254, 260, 261, 264, 27, 280, 284, 355, 460, 461, 480, 481, 482	16" 18" 20" 24"	L60 / LC60 L66 / LC66 L70 / LC70 L81 / LC81	1533661 1533662 1533663 --	-- -- 1533698 --	-- 1533675 1533676 --	7/32" 7/32" 7/32" 7/32"

PARTNER®	BAR LENGTH	CHAIN LINK ICON	CHAIN - TSC SKU# (Single/Twin Pack)	TITANIUM CHAIN - TSC SKU#	BAR & CHAIN COMBO - TSC SKU#	FILE SIZE
330, 350, 1601, 1602, 1610, 1611, 1612, 1613, 1614, 1616, Mini P, Mini PII, Mini PIII, Spartan	12" 14" 16"	S45 / SC45 S52 / SC52 S56 / SC56	-- 1533651/1533644 1533654/1533655	-- 1533694 1533695	-- 1533670 1533671	5/32" 5/32" 5/32"
365	14" 16"	S52 / SC52 S56 / SC56	1533651/1533644 1533654/1533655	1533694 1533695	1533670 1533671	5/32" 5/32"
P360, P400, P450, P500, P5000	16" 18" 20"	M66 / MC66 M72 / MC72 M78 / MC78	-- 1533659/1533645 1533660/1533646	-- -- --	-- -- 1533704	3/16" 3/16" 3/16"
550, 650, 1655, 2055, 7000, F50, F55, P50, P51, P55, P65, P70, P85, P100, R11, R12, R14, R16, R17, R18, R19, R20, R21, R22, R23, R30, R35, R40, R416, R420, R421, R435, R440, S50, S55, S65	16" 18" 20"	L60 / LC60 L68 / LC68 L72 / LC72	1533661 1533688 1533664/1533690	-- -- 1533699	-- -- 1533689	7/32" 7/32" 7/32"

PIONEER®	BAR LENGTH	CHAIN LINK ICON	CHAIN - TSC SKU# (Single/Twin Pack)	TITANIUM CHAIN - TSC SKU#	BAR & CHAIN COMBO - TSC SKU#	FILE SIZE
P-10, P12	12" 14" 16"	S45 / SC45 S52 / SC52 S56 / SC56	-- 1533651/1533644 1533654/1533655	-- 1533694 1533695	-- 1533670 1533671	5/32" 5/32" 5/32"
1074, P-21, P-26, P-28	16" 18" 20"	M66 / MC66 M72 / MC72 M78 / MC78	-- 1533659/1533645 1533660/1533646	-- -- --	-- -- 1533704	3/16" 3/16" 3/16"
970, 1072, 1073, P-11, P-20, P-25, P-285, 515	16" 18" 20" 24"	L60 / LC60 L68 / LC68 L72 / LC72 L84 / LC84	1533661 1533688 1533664/1533690 --	-- -- 1533699 --	-- -- 1533689 --	7/32" 7/32" 7/32" 7/32"

POULAN® / POULAN PRO®

† PPS020AV may take 70 drive link or 72 drive link saw chain. Compare current saw chain carefully.
 * Saw chain pitch and gauge may vary from factory. Compare pitch and gauge of current saw chain carefully.
 *ANSI B175.1 2012 and CSA 262.3 standards for reduced-kickback saw chain does not apply to Pole Saws or Pruners

	BAR LENGTH	CHAIN LINK ICON	CHAIN - TSC SKU# (Single/Twin Pack)	TITANIUM CHAIN - TSC SKU#	BAR & CHAIN COMBO - TSC SKU#	FILE SIZE
Pole Saw*: Pro 445, Pro 446, 446T , PP5000P, PP258TPC, PP258TPC, PP338PT	8"	S34.043	1533647	--	--	5/32"
ES300, E350	16"	S56.043	1533702	--	--	5/32"
PLN1510	10"	S39 / SC39	1533691	--	--	5/32"
PLN1514	14"	S49 / SC49	1533649	--	--	5/32"
PLN3516F	16"	S55 / SC55	1533653	--	1533674	5/32"
180, 190, 200, 205, 210, 220, 221, 222, 225, 235, 236, 240, 250, 255*, 260, 262, 400E, 1220, 1420, 1425, 1625, 1630, 1634, 1775, 1800, 1838, 1900, 1950, 1975, 2000, 2025, 2050, 2055, 2075, 2100, 2150 Predator, 2155, 2160, 2175, 2200, 2250, 2300, 2350, 2375, 2400, 2450, 2500, 2550, 2555, 2600, 3314, 3314WS, 3314WSA, 3316, 3416, 3516, 3516AVX, 3816, 3816AV, 3818, 4018, 4218A, 4218AV, 4218AVX, Blackhawk, E14E, E16E, ES 350, ES 400, Micro 25XX, XXV Series, P3516PR, Patriot 1900, S23, S25, Super Micro, 25XX, XXV Series, Wildthing, Woodshark	10"	S40 / SC40	1533648	--	--	5/32"
	12"	S45 / SC45	--	--	--	5/32"
	14"	S52 / SC52	1533651/1533644	1533694	1533670	5/32"
	16"	S56 / SC56	1533654/1533655	1533695	1533671	5/32"
	18"	S62 / SC62	1533657/1533658	1533696	1533672	5/32"
285, 295, 305, 310, 315, 335, 336, 2700, 2750, 2775, 2800, 2900, 3000, 3050, 3100, 3300, 306SA, 4620, 4620AV, 4620AVX, Predator	16"	M66 / MC66	--	--	--	3/16"
	18"	M72 / MC72	1533659/1533645	--	--	3/16"
	20"	M78 / MC78	1533660/1533646	--	1533704	3/16"
PP4818AVX	18"	L66 / LC66	1533662	--	1533675	7/32"
PP5020AV†	20"	L70 / LC70	1533663	1533698	1533676	7/32"
	20"	L72 / LC72	1533664/1533690	1533699	1533689	7/32"
203, 245, 306, 360, 361, 375, 395, 400, 450, 3400, 3700, 3800, 3900, 4000, 4200, 4400, 4900, 5200, 5400, 5500, 6700, 6900, 7700, 8500	16"	L60 / LC60	1533661	--	--	7/32"
	18"	L66 / LC66	1533662	--	1533675	7/32"
	20"	L70 / LC70	1533663	1533698	1533676	7/32"
	24"	L81 / LC81	--	--	--	7/32"
415, 425, 445, 475, 505	16"	L60 / LC60	1533661	--	--	7/32"
	18"	L66 / LC66	1533662	--	1533675	7/32"
	20"	L72 / LC72	1533664/1533690	1533699	1533689	7/32"
	24"	L81 / LC81	--	--	--	7/32"
6900, 7700, 8500	16"	L60 / LC60	1533661	--	--	7/32"
	18"	L64 / LC64	--	--	--	7/32"
	18"	L66 / LC66	1533662	--	1533675	7/32"
	20"	L70 / LC70	1533663	1533698	1533676	7/32"

POWER PRUNER® / ECHO POWER PRUNER®

PP300, PP400, PP600, PP800, PP1200, PP1250, PP1260, PP1400, PP400-D, PPF-210, PPF-211, PPF-225, PPF-2100, PPF-2400, PPSR-2122, PPSR-2433, PPT-2300, PPT-231, PPT-260, PPT-261, PPT-2100, PPT-2400	8"	S34 / SC34	--	--	--	5/32"
	10"	S39.043	1533647	--	--	5/32"
	10"	S39 / SC39	1533691	--	--	5/32"
	12"	S44.043	--	--	--	5/32"
	12"	S44 / SC44	--	--	--	5/32"
PPF-280, PPT-280, PPT-265, PPT-265H, PPT-265S *Original equipment chain size	10"	S39.043*	1533647	--	--	5/32"
	10"	S39* / SC39*	1533691	--	--	5/32"
	10"	S40.043	1533700	--	--	5/32"
	10"	S40 / SC40	1533648	--	--	5/32"
	12"	S44.043*	--	--	--	5/32"
	12"	S44* / SC44*	--	--	--	5/32"
	12"	S45.043	--	--	--	5/32"
	12"	S45 / SC45	--	--	--	5/32"
	14"	S49.043*	--	--	--	5/32"
	14"	S49* / SC49*	1533649	--	--	5/32"
	14"	S52.043	--	--	--	5/32"
	14"	S52 / SC52	1533651/1533644	1533694	1533670	5/32"

POWERHORSE®	BAR LENGTH	CHAIN LINK ICON	CHAIN - TSC SKU# (Single/Twin Pack)	TITANIUM CHAIN - TSC SKU#	BAR & CHAIN COMBO - TSC SKU#	FILE SIZE
† Saw chain pitch and gauge may vary from factory. Compare pitch and gauge of current saw chain and guide bar carefully.						
190500, 190501, 190555	14" 16"	S52 / SC52 S56 / SC56	1533651/1533644 1533654/1533655	1533694 1533695	1533670 1533671	5/32" 5/32"
190556, 190558	16"	S57 / SC57	1533656	--	--	5/32"
190502†, 190503†, 190557†, 190559†	18" 18" 20" 20"	M72 / MC72 M72.058 / MC72.058 M78 / MC78 M78.058 / MC78.058	1533659/1533645 -- 1533660/1533646 --	-- -- -- --	-- -- 1533704 --	3/16" 3/16" 3/16" 3/16"

REDMAX®	BAR LENGTH	CHAIN LINK ICON	CHAIN - TSC SKU# (Single/Twin Pack)	TITANIUM CHAIN - TSC SKU#	BAR & CHAIN COMBO - TSC SKU#	FILE SIZE
*ANSI B175.1 2012 and CSA 262.3 standards for reduced-kickback saw chain does not apply to Pole Saws or Pruners						
Pole Saw*: PSZ2401, PSZ2450S, PSZ2460S, PRO GZ25N, PSZ2500S	12"	S44.043	--	--	--	5/32"
PSZ2465S	12"	S44 / SC44	--	--	--	5/32"
G250, G300AVS, G300TS, G2500, G2500TS, G3100TS, G3200EZ, G3800, G3800AVS, GZ380, GZ400, GZ3500T, GZ4000	12" 14" 16" 18"	S45 / SC45 S52 / SC52 S56 / SC56 S62 / SC62	-- 1533651/1533644 1533654/1533655 1533657/1533658	-- 1533694 1533695 1533696	-- 1533670 1533671 1533672	5/32" 5/32" 5/32" 5/32"
G390, G450AVS, G455AVS, G530, G5000, G5000AVS	13" 15" 16" 16" 16" 18" 18" 18" 20" 20" 20"	M56.058 / MC56.058 M64.058 / MC64.058 M66 / MC66 M66NK M66.058 / MC66.058 M72 / MC72 M72NK M72.058 / MC72.058 M78 / MC78 M78NK M78.058 / MC78.058	-- -- -- 1533665 -- 1533659/1533645 1533666 -- 1533660/1533646 -- --	-- -- -- -- -- -- -- -- -- -- --	-- -- -- 1533703 -- -- -- -- 1533704 -- --	3/16" 3/16" 3/16" 3/16" 3/16" 3/16" 3/16" 3/16" 3/16" 3/16" 3/16"
GZ4500	16" 18"	M66NK M72NK	1533665 1533666	-- --	-- --	3/16" 3/16"
G621AVS	16" 18" 20"	L60 / LC60 L66 / LC66 L70 / LC70	1533661 1533662 1533663	-- -- 1533698	-- -- 1533676	7/32" 7/32" 7/32"
G27000	18" 20" 24"	L68 / LC68 L72 / LC72 L84 / LC84	1533688 1533664/1533690 --	-- 1533699 --	-- 1533689 --	7/32" 7/32" 7/32"

REMINGTON®	BAR LENGTH	CHAIN LINK ICON	CHAIN - TSC SKU# (Single/Twin Pack)	TITANIUM CHAIN - TSC SKU#	BAR & CHAIN COMBO - TSC SKU#	FILE SIZE
<small>*ANSI B175.1 2012 and CSA 262.3 standards for reduced-kickback saw chain does not apply to Pole Saws or Pruners</small>						
Pole Saw*: 11409-01 Branch Wizard, RM0612P	6"	S28.043	--	--	--	5/32"
RM0818B	8"	S34.043	1533647	--	--	5/32"
Pole Saw*: 104317, RM0815P, RM0818BPS, RM2599	8"	S34.043	1533647	--	--	5/32"
Pole Saw*: 106821A Wizard, 106890-01, 106890-02, PS1510A, RM1015SP, RM1025P, RM1025SPS	10"	S40 / SC40	1533648	--	--	5/32"
100, 500, 812, 814, 816, 840AV, 850AV, 860AV, Job Master, Mighty Mite, Outdoorsman II, Rancher, Weekender, Yardmaster	12" 14" 16"	S44 / SC44 S49 / SC49 S54 / SC54	-- -- --	-- -- --	-- -- --	5/32" 5/32" 5/32"
ES1512US, RM1215	12"	S45 / SC45	--	--	--	5/32"
M15012US	12"	S48 / SC48	--	--	--	5/32"
100089-06A, ES1514US, RM1415U, RM1415A, RM1425	14"	S50 / SC50	1533650	--	1533673	5/32"
M15014AS, M15014US	14"	S52 / SC52	1533651/1533644	1533694	1533670	5/32"
107624-01, 107625-01, 107624-02, 107625-02, 111174-01, CLD3516AWB, CLD4016W, LD3516AWB, LD4016AW, RM1632A, RM1635W, RM1640W, RM1645, RM4216	16"	S56 / SC56	1533654/1533655	1533695	1533671	5/32"
M30016AS, M30016AS-1, M30016US, M35016AS, M35016AW, RM1630A, RM1630U, RM1630W	16"	S57 / SC57	1533656	--	--	5/32"
RM4218, 111174-01, CLD4018AW, CLD4018AWC, LD4018AW, LD4018WC, RM1840W	16"	S58 / SC58	--	--	--	5/32"
RM4618, RM5118	18"	S62 / SC62	1533657/1533658	1533696	1533672	5/32"
RM4620, RM5520	18"	M72 / MC72	1533659/1533645	--	--	3/16"
Logger, PL-4, PL-5, PL-55, SL-4, SL-9, SL-10, SL-11, SL-14, SL-16, Woodsman	20"	M78 / MC78	1533660/1533646	--	1533704	3/16"
	16" 18" 20"	L60 / LC60 L64 / LC64 L70 / LC70	1533661 -- 1533663	-- -- 1533698	-- -- 1533676	7/32" 7/32" 7/32"

RYOBI®	BAR LENGTH	CHAIN LINK ICON	CHAIN - TSC SKU# (Single/Twin Pack)	TITANIUM CHAIN - TSC SKU#	BAR & CHAIN COMBO - TSC SKU#	FILE SIZE
<small>*ANSI B175.1 2012 and CSA 262.3 standards for reduced-kickback saw chain does not apply to Pole Saws or Pruners</small>						
R4360, RY43160	8"	S33.043	--	--	--	5/32"
Pole Saw*: PP720R, P542	8" 10"	S34.043 S40.043	1533647 1533700	-- --	-- --	5/32" 5/32"
P540, P540A, P540B, P542, P543, P545, RY52003, RY52003A, TP30 CS1800 18V Cordless	10"	S40.043	1533700	--	--	5/32"
RY40500, RY40510B	12"	S45.043	--	--	--	5/32"
RY40502, RY40511	14"	S52.043	1533701	--	--	5/32"
RY10532, ZRRY10532	18"	S62 / SC62	1533657/1533658	1533696	1533672	5/32"
RY10518, RY10519, RY10520, RY10521	18" 20"	M72 / MC72 M78 / MC78	1533659/1533645 1533660/1533646	-- --	-- 1533704	3/16" 3/16"

SHINDAIWA®	BAR LENGTH	CHAIN LINK ICON	CHAIN - TSC SKU# (Single/Twin Pack)	TITANIUM CHAIN - TSC SKU#	BAR & CHAIN COMBO - TSC SKU#	FILE SIZE	
90, 100, 110, 120, 140, 150	10"	S40 / SC40	1533648	--	--	5/32"	
	12"	S45.043	--	--	--	5/32"	
	12"	S45 / SC45	--	--	--	5/32"	
	14"	S52.043	1533701	--	--	5/32"	
	14"	S52 / SC52	1533651/1533644	1533694	1533670	5/32"	
	16"	S57.043	--	--	--	5/32"	
	16"	S57 / SC57	1533656	--	--	5/32"	
	18"	S62 / SC62	1533657/1533658	1533696	1533672	5/32"	
	305s	14"	S52 / SC52	1533651/1533644	1533694	1533670	5/32"
	350, 352s, 357	14"	S53 / SC53	1533652	--	--	5/32"
16"		S57 / SC57	1533656	--	--	5/32"	
358Ts	14"	S52 / SC52	1533651/1533644	1533694	1533670	5/32"	
	16"	S57 / SC57	1533656	--	--	5/32"	
340s	16"	S57 / SC57	1533656	--	--	5/32"	
402s	18"	S62 / SC62	1533657/1533658	1533696	1533672	5/32"	
488, 500	16"	M66 / MC66	--	--	--	3/16"	
	18"	M72 / MC72	1533659/1533645	--	--	3/16"	
	20"	M78 / MC78	1533660/1533646	--	1533704	3/16"	
491s	18"	M72 / MC72	1533659/1533645	--	--	3/16"	
	20"	M78 / MC78	1533660/1533646	--	1533704	3/16"	
550, 575, 577, 680*, 695*, 757*, 757C*, 757W*	16"	L60 / LC60	1533661	--	--	7/32"	
	18"	L66 / LC66	1533662	--	1533675	7/32"	
	20"	L72 / LC72	1533664/1533690	1533699	1533689	7/32"	
	24"	L84 / LC84	--	--	--	7/32"	
591	20"	L70 / LC70	1533663	1533698	1533676	7/32"	
600sx	20"	L70 / LC70	1533663	1533698	1533676	7/32"	
	24"	L81 / LC81	--	--	--	7/32"	

SKIL®	BAR LENGTH	CHAIN LINK ICON	CHAIN - TSC SKU# (Single/Twin Pack)	TITANIUM CHAIN - TSC SKU#	BAR & CHAIN COMBO - TSC SKU#	FILE SIZE
1600, 1601, 1602, 1610, 1611, 1612, 1613, 1614, 1616, 1700, 1705, 1712	10"	S40 / SC40	1533648	--	--	5/32"
	12"	S45 / SC45	--	--	--	5/32"
	14"	S52 / SC52	1533651/1533644	1533694	1533670	5/32"
	16"	S56 / SC56	1533654/1533655	1533695	1533671	5/32"
1620, 1622, 1624, 1634, 1635, 1636	10"	S40 / SC40	1533648	--	--	5/32"
	12"	S45 / SC45	--	--	--	5/32"
	14"	S52 / SC52	1533651/1533644	1533694	1533670	5/32"
	16"	S56 / SC56	1533654/1533655	1533695	1533671	5/32"
	18"	S62 / SC62	1533657/1533658	1533696	1533672	5/32"
605, 606	14"	S52 / SC52	1533651/1533644	1533694	1533670	5/32"
	16"	S58 / SC58	--	--	--	5/32"
1641	16"	L60 / LC60	1533661	--	--	7/32"
	18"	L66 / LC66	1533662	--	1533675	7/32"
	20"	L70 / LC70	1533663	1533698	1533676	7/32"
	24"	L81 / LC81	--	--	--	7/32"

SOLO®	BAR LENGTH	CHAIN LINK ICON	CHAIN - TSC SKU# (Single/Twin Pack)	TITANIUM CHAIN - TSC SKU#	BAR & CHAIN COMBO - TSC SKU#	FILE SIZE
* Saw chain pitch and gauge may vary from factory. Compare pitch and gauge of current saw chain and guide bar carefully. Select a replacement saw chain with the same number of drive links as your current saw chain.						
600, 605, 606, 630, 633*, 635, 636*, 637, 640, 643	12" 14" 16" 18"	S45 / SC45 S52 / SC52 S56 / SC56 S62 / SC62	-- 1533651/1533644 1533654/1533655 1533657/1533658	-- 1533694 1533695 1533696	-- 1533670 1533671 1533672	5/32" 5/32" 5/32" 5/32"
633, 636	16"	S56.043	1533702	--	--	5/32"
651*, 651SP*, 652*	16" 16" 16" 18" 18" 20" 20"	M66 / MC66 M66NK M66.058 / MC66.058 M72 / MC72 M72.058 / MC72.058 M78 / MC78 M78.058 / MC78.058	-- 1533665 -- 1533659/1533645 -- 1533660/1533646 --	-- -- -- -- -- -- --	-- 1533703 -- -- -- 1533704 --	3/16" 3/16" 3/16" 3/16" 3/16" 3/16" 3/16"
603*, 662*, 665*, 667*, 675*, 680*, 681*, 690*, 694*, 760*	16" 18" 20" 24"	L60 / LC60 L68 / LC68 L72 / LC72 L84 / LC84	1533661 1533688 1533664/1533690 --	-- -- 1533699 --	-- -- 1533689 --	7/32" 7/32" 7/32" 7/32"

STIHL®	BAR LENGTH	CHAIN LINK ICON	CHAIN - TSC SKU# (Single/Twin Pack)	TITANIUM CHAIN - TSC SKU#	BAR & CHAIN COMBO - TSC SKU#	FILE SIZE
* Saw chain pitch and gauge may vary from factory. Compare pitch and gauge of current saw chain carefully. † Saw chain gauge may vary from factory. Select chain with matching gauge.						
017†, 018†, 019 T†, E140†, MS170†, MS171†, MS180C-B†, MS180C-BE†, MS180C†, MS191T†, MS192†, MS192 C-E†, MS192T C-E†, MS192T†, MS193†, MSE140 C-BQ†, MSE140†, MSE140C†, MSE180 C-BE†	12" 12" 14" 14" 16" 16"	S44.043 S44 / SC44 S50.043 S50 / SC50 S55.043 S55 / SC55	-- -- -- 1533650 -- 1533653	-- -- -- -- -- --	-- -- -- 1533673 -- 1533674	5/32" 5/32" 5/32" 5/32" 5/32" 5/32"
Pole Saw: HT70†, HT73†, HT75†, HT100†, HT101†, HT130†, HT131†, HT250†	12" 12" 14" 14" 16" 16"	S44.043 S44 / SC44 S50.043 S50 / SC50 S55.043 S55 / SC55	-- -- -- 1533650 -- 1533653	-- -- -- -- -- --	-- -- -- 1533673 -- 1533674	5/32" 5/32" 5/32" 5/32" 5/32" 5/32"
009, 009L, 010, 011, 012, 015, 020, 021, 023, 311Y, E10, E14, MS181C, MS200, MS200T, MS201C, MS201 C-E, MS201T, MS210, MS210C, MS210 C-BE, MS211, MS211 C-BE, MSE170 C-BQ, MSE200, MSE210 C-BQ	12" 14" 16"	S44 / SC44 S50 / SC50 S55 / SC55	-- 1533650 1533653	-- -- --	-- 1533673 1533674	5/32" 5/32" 5/32"
025*, 025C*, MS230*, MS230C-BE*, MS 241 C-M*, MS250*, MS250C*, MS250C-BE*, MS251*, MS251C*, MS 251 C-BE*	12" 14" 16" 16" 18"	S44 / SC44 S50 / SC50 S55 / SC55 M62.063 / MC62.063 M68.063 / MC68.063	-- 1533650 1533653 -- --	-- -- -- -- --	-- 1533673 1533674 -- --	5/32" 5/32" 5/32" 3/16" 3/16"

STIHL® (CONT.)	BAR LENGTH	CHAIN LINK ICON	CHAIN - TSC SKU# (Single/Twin Pack)	TITANIUM CHAIN - TSC SKU#	BAR & CHAIN COMBO - TSC SKU#	FILE SIZE
024*, 026*, 026P*, 028*, 028 Super*, 029*, 034*, 034 Super*, 036*, 036QS*, 039*, Farm Boss®, MS260*, MS260Pro*, MS261*, MS 261C-M*, MS261CM-Q*, MS261C-Q*, MS290*, MS291*, MS291C-BEQ*, MS360*, MS390*, MS391*	16"	M67.063 / MC67.063	1533667	--	--	3/16"
	16"	M74.063 / MC74.063	1533668	--	--	3/16"
	18"	M81.063 / MC81.063	1533669	1533697	1533678	3/16"
	16"	L60 / LC60	1533661	--	--	7/32"
	18"	L66 / LC66	1533662	--	1533675	7/32"
	20"	L72 / LC72	1533664/1533690	1533699	1533689	7/32"
	24"	L84 / LC84	--	--	--	7/32"
	038, 038 Super, 042, 044, 044 Magnum, 046, 046 Magnum, 048, 056*, MS440, MS441, MS460, MS460 Magnum, MS461, 066*, MS660*, MS661*, 064*	16"	L60 / LC60	1533661	--	--
18"		L66 / LC66	1533662	--	1533675	7/32"
20"		L72 / LC72	1533664/1533690	1533699	1533689	7/32"
24"		L84 / LC84	--	--	--	7/32"

SUN JOE®	BAR LENGTH	CHAIN LINK ICON	CHAIN - TSC SKU# (Single/Twin Pack)	TITANIUM CHAIN - TSC SKU#	BAR & CHAIN COMBO - TSC SKU#	FILE SIZE
<small>*ANSI B175.1 2012 and CSA Z82.3 standards for reduced-kickback saw chain does not apply to Pole Saws or Pruners</small>						
Pole Saws*: SWJ800E, SWJ802E, iON8PS	8"	S33 / SC33	--	--	--	5/32"
SWJ803E	10"	S40 / SC40	1533648	--	--	5/32"
20ViON-CS10	10"	S40 / SC40	1533648	--	--	5/32"
SWJ698E	12"	S45 / SC45	--	--	--	5/32"
SWJ699E	14"	S52 / SC52	1533651/1533644	1533694	1533670	5/32"
SWJ700E	16"	S57 / SC57	1533656	--	--	5/32"
SWJ701E	18"	S62 / SC62	1533657/1533658	1533696	1533672	5/32"

TANAKA®	BAR LENGTH	CHAIN LINK ICON	CHAIN - TSC SKU# (Single/Twin Pack)	TITANIUM CHAIN - TSC SKU#	BAR & CHAIN COMBO - TSC SKU#	FILE SIZE
TCS3301PFS, TCS33EB, TCS3351PFS, TCS3401	12"	S45.043	--	--	--	5/32"
	12"	S45 / SC45	--	--	--	5/32"
	14"	S52.043	1533701	--	--	5/32"
	14"	S52 / SC52	1533651/1533644	1533694	1533670	5/32"
	16"	S57.043	--	--	--	5/32"
	16"	S57 / SC57	1533656	--	--	5/32"
	18"	S62 / SC62	1533657/1533658	1533696	1533672	5/32"
TCSEDTP12, TCSEDTP14	12"	S45 / SC45	--	--	--	5/32"
	14"	S52 / SC52	1533651/1533644	1533694	1533670	5/32"
ECV4501, ECS-4000, ECS-4000B, TCS51EAP	16"	M66 / MC66	--	--	--	3/16"
	18"	M72 / MC72	1533659	--	--	3/16"
	20"	M78 / MC78	1533660	--	1533704	3/16"

TANAKA® (CONT.)	BAR LENGTH	CHAIN LINK ICON	CHAIN - TSC SKU# (Single/Twin Pack)	TITANIUM CHAIN - TSC SKU#	BAR & CHAIN COMBO - TSC SKU#	FILE SIZE
ECV5601	16"	M66 / MC66	--	--	--	3/16"
	18"	M72 / MC72	1533659/1533645	--	--	3/16"
	20"	M78 / MC78	1533660/1533646	--	1533704	3/16"
TCS40EA	16"	M66NK	1533665	--	1533703	3/16"
	18"	M72NK	1533666	--	--	3/16"
ECS-505, ECS-506	16"	L60 / LC60	1533661	--	--	7/32"
	18"	L64 / LC64	--	--	--	7/32"
	18"	L66 / LC66	1533662	--	--	7/32"
	20"	L70 / LC70	1533663	1533698	1533676	7/32"
	24"	LC8 / LC81	--	--	--	7/32"

TORO®	BAR LENGTH	CHAIN LINK ICON	CHAIN - TSC SKU# (Single/Twin Pack)	TITANIUM CHAIN - TSC SKU#	BAR & CHAIN COMBO - TSC SKU#	FILE SIZE
51100, 51140	10"	S40 / SC40	1533648	--	--	5/32"
	12"	S45 / SC45	--	--	--	5/32"
	14"	S52 / SC52	1533651/1533644	1533694	1533670	5/32"
	16"	S56 / SC56	1533654/1533655	1533695	1533671	5/32"

TROY-BILT®	BAR LENGTH	CHAIN LINK ICON	CHAIN - TSC SKU# (Single/Twin Pack)	TITANIUM CHAIN - TSC SKU#	BAR & CHAIN COMBO - TSC SKU#	FILE SIZE
<small>*ANSI B175.1 2012 and CSA 262.3 standards for reduced-kickback saw chain does not apply to Pole Saws or Pruners</small>						
Pole Saw*: TBPS-8 DL	8"	S34.043	1533647	--	--	5/32"
Pole Saw*: TBPS	8"	S34 / SC34	--	--	--	5/32"
TB4016, TB4216, TB4218	16"	S54 / SC54	--	--	--	5/32"
	18"	S60 / SC60	--	--	--	5/32"
TB4018	14"	S52 / SC52	1533651/1533644	1533694	1533670	5/32"
	16"	S56 / SC56	1533654/1533655	1533695	1533671	5/32"
	18"	S62 / SC62	1533657/1533658	1533696	1533672	5/32"
TB3516 Electric, TB4516 Electric	16"	S55 / SC55	1533653	--	1533674	5/32"
TB4620, TB4920, TB5018, TB5020, TB5518	16"	M66 / MC66	--	--	--	3/16"
	16"	M66NK	1533665	--	1533703	3/16"
	18"	M72 / MC72	1533659/1533645	--	--	3/16"
	18"	M72NK	1533666	--	--	3/16"
	20"	M78 / MC78	1533660/1533646	--	1533704	3/16"
	20"	M78NK	--	--	--	3/16"

WEN/WAGNER®	BAR LENGTH	CHAIN LINK ICON	CHAIN - TSC SKU# (Single/Twin Pack)	TITANIUM CHAIN - TSC SKU#	BAR & CHAIN COMBO - TSC SKU#	FILE SIZE
1100 (Type 1), 1200 (Type 1), 1400 (Type 1)	12" 14"	S49 / SC49 S54 / SC54	1533649 --	-- --	-- --	5/32" 5/32"
3814, 4014	14" 16"	S52 / SC52 S56 / SC56	1533651/1533644 1533654/1533655	1533694 1533695	1533670 1533671	5/32" 5/32"
1100, 1200, 1400, 2000, 2400, 2600, 2700, 5000, 5008, 5010, 5014, 5016, Bumble Bee, Hornet, Wasp	12" 14" 16"	S49 / SC49 S53 / SC53 S58 / SC58	-- 1533652 --	-- -- --	-- -- --	5/32" 5/32" 5/32"
6014, 6016, Lumberjack	14" 16"	S49 / SC49 S55 / SC55	-- 1533653	-- --	-- 1533674	5/32" 5/32"
3816, 3818, 4016	16" 18"	S54 / SC54 S60 / SC60	-- --	-- --	-- --	5/32" 5/32"

WESTERN AUTO®	BAR LENGTH	CHAIN LINK ICON	CHAIN - TSC SKU# (Single/Twin Pack)	TITANIUM CHAIN - TSC SKU#	BAR & CHAIN COMBO - TSC SKU#	FILE SIZE
1800, 2000, 525 DA, AV14, AV16, CAT 17, WIZ:010, WIZ:012, WIZ:014, WIZ:110, WIZ:112, WIZ:212, WIZ:214, WIZ:316	10" 12" 14" 16"	S40 / SC40 S45 / SC45 S52 / SC52 S57 / SC57	1533648 -- 1533651/1533644 1533656	-- -- 1533694 --	-- -- 1533670 --	5/32" 5/32" 5/32" 5/32"
3400, 430, B013, WIZARD, AV18	16" 18" 20"	L60 / LC60 L66 / LC66 L70 / LC70	1533661 1533662 1533663	-- -- 1533698	-- 1533675 1533676	7/32" 7/32" 7/32"

WORX®	BAR LENGTH	CHAIN LINK ICON	CHAIN - TSC SKU# (Single/Twin Pack)	TITANIUM CHAIN - TSC SKU#	BAR & CHAIN COMBO - TSC SKU#	FILE SIZE
WG300, WG303, WG303.1, WG304, WG304.1	14" 16" 18"	S53 / SC53 S57 / SC57 S63 / SC63	1533652 1533656 --	-- -- --	-- -- --	5/32" 5/32" 5/32"
WG309	10"	S40 / SC40	1533648	--	--	5/32"
WG305	14"	S52 / SC52	1533651/1533644	1533694	1533670	5/32"

YARDWORKS®	BAR LENGTH	CHAIN LINK ICON	CHAIN - TSC SKU# (Single/Twin Pack)	TITANIUM CHAIN - TSC SKU#	BAR & CHAIN COMBO - TSC SKU#	FILE SIZE
7.5 Electric Chain Saw and Pole Saw	10"	S40 / SC40	1533648	--	--	5/32"
9A Electric, 10A Electric, 11A Electric	14" 16" 18"	S52 / SC52 S57 / SC57 S62 / SC62	1533651/1533644 1533656 1533657/1533658	1533694 -- 1533696	1533670 -- 1533672	5/32" 5/32" 5/32"
12A Electric	16"	S57 / SC57	1533656	--	--	5/32"
13A Electric	18"	S62 / SC62	1533657/1533658	1533696	1533672	5/32"

MAINTENANCE



WARNING: Follow proper sharpening procedures. Improper maintenance and sharpening of saw chain will greatly increase danger of kickback.

1

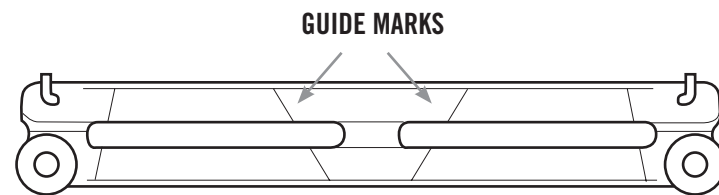
SHARPENING CHAIN

1. Choose correct file size. Be sure file is tightly fit into the guide groove.
2. Then, press the file guide so it rides on both cutter top plate and depth gauge, with guide marks in line with the length of the chain.

ROUND FILE SIZE	PITCH
5/32" (4.0mm)	3/8" LP
3/16" (4.8mm)	.325"
7/32" (5.5mm)	3/8"



TOP VIEW

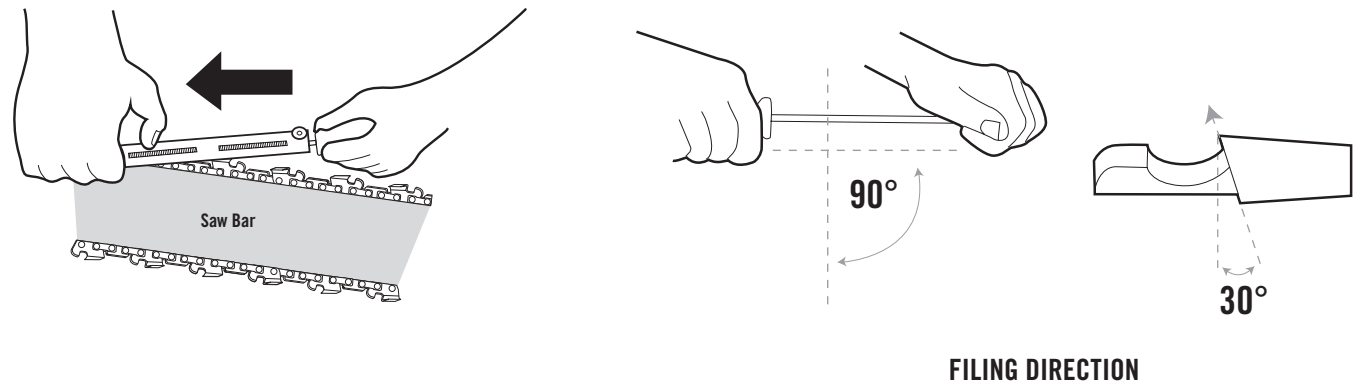


COUNTYLINE®

2

FILE CUTTERS

1. File all cutters on one side.
2. Move to other side of chain and file all cutters opposite to complete sharpening.
3. File all cutters identically.



3

ADJUSTING DEPTH GAUGE

After sharpening a chain's cutters 3 or 4 times with a round file it is necessary to check the height of the depth gauge. To do this:

1. Place depth guide tool over chain, near mid point of guide bar, so that the chain's depth gauge extends through slot.
2. If the cutter's depth gauge extends above the slot in the depth gauge, file the cutter's depth gauge down with flat file until it is level with depth gauge tool. Make sure to keep the round profile on the front of the cutter's depth gauge.

