

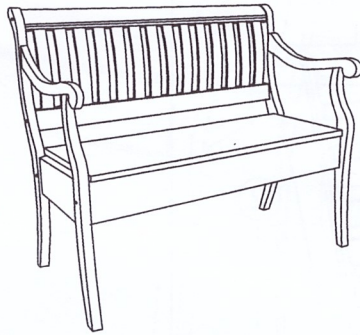


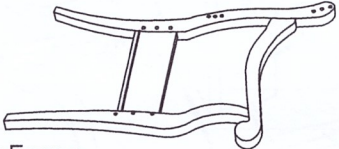

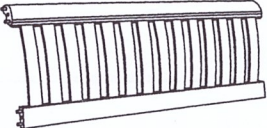
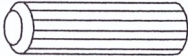
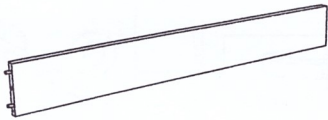
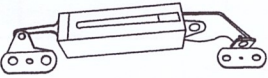
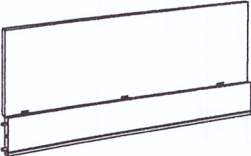

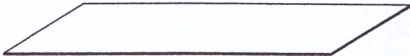


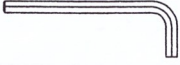
CAROLINA CHAIR & TABLE COMPANY

Assembly Instructions
Item # 4235
Veranda Storage Bench



Thank you for purchasing a Carolina & Table Company product. This product has been designed for easy assembly and is constructed for durability. Please take the time to read and follow the assembly instructions carefully. If a part or hardware is missing or you have any difficulties in assembling this product, please contact us toll free at 1-800-228-3876.



PARTS LIST			HARDWARE LIST		
1	 Armrest Frame	2pcs	A	 Allen Head Bolts	8pcs
2	 Back Panel	1pc	B	 Wood Plugs	16pcs
3	 Apron	1pc	C	 Metal Connector	1pc
4	 Seat Board	1pc	D	 Screw	4pcs
5	 Bottom Panel	1pc	E	 Wood Covers	8pcs
			F	 Spring Washer	8pcs
			G	 Allen Head Wrench	1pc

IMPORTANT NOTE:

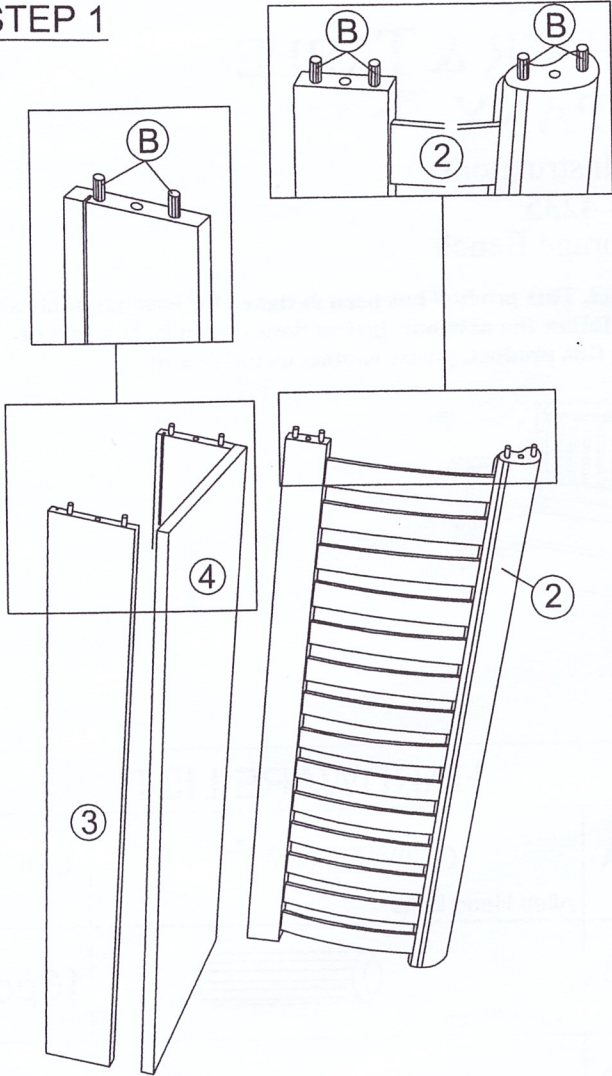
Place all wooden part on a clean and smooth surface such as a rug or carpet to avoid the parts from being scratched.

*Check to be sure that you have all part and hardware. Remove all wrapping materials, including staples & packing straps before you start to assemble. Do not tighten all screws/ bolts until all completely assembled.

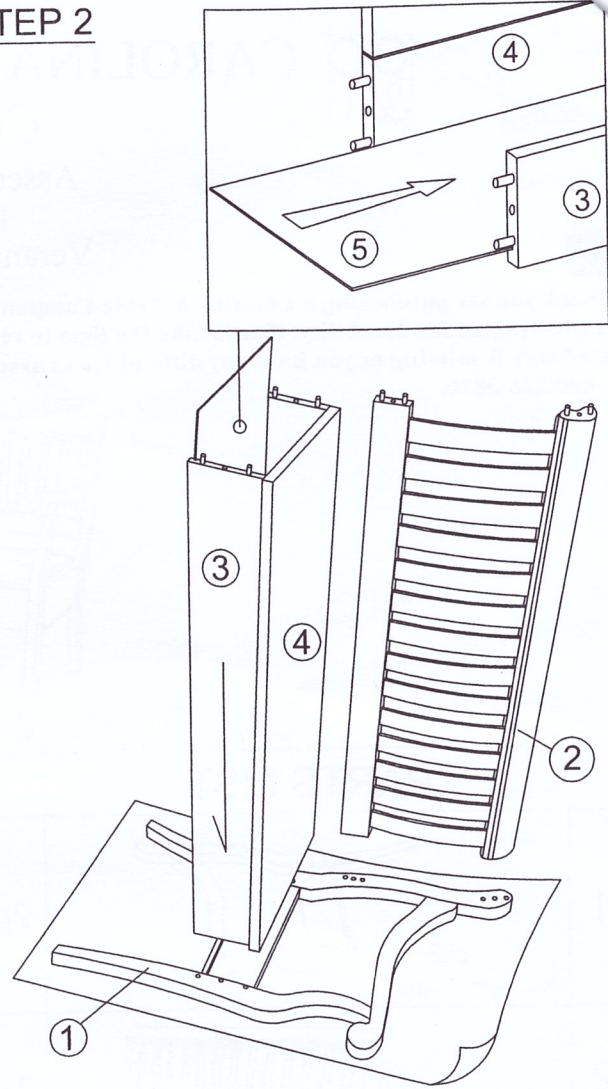
*Keep all hardware part out of reach of children.

***DO NOT TIGHTEN BOLTS/SCREWS UNTIL ALL COMPLETELY ASSEMBLED.**

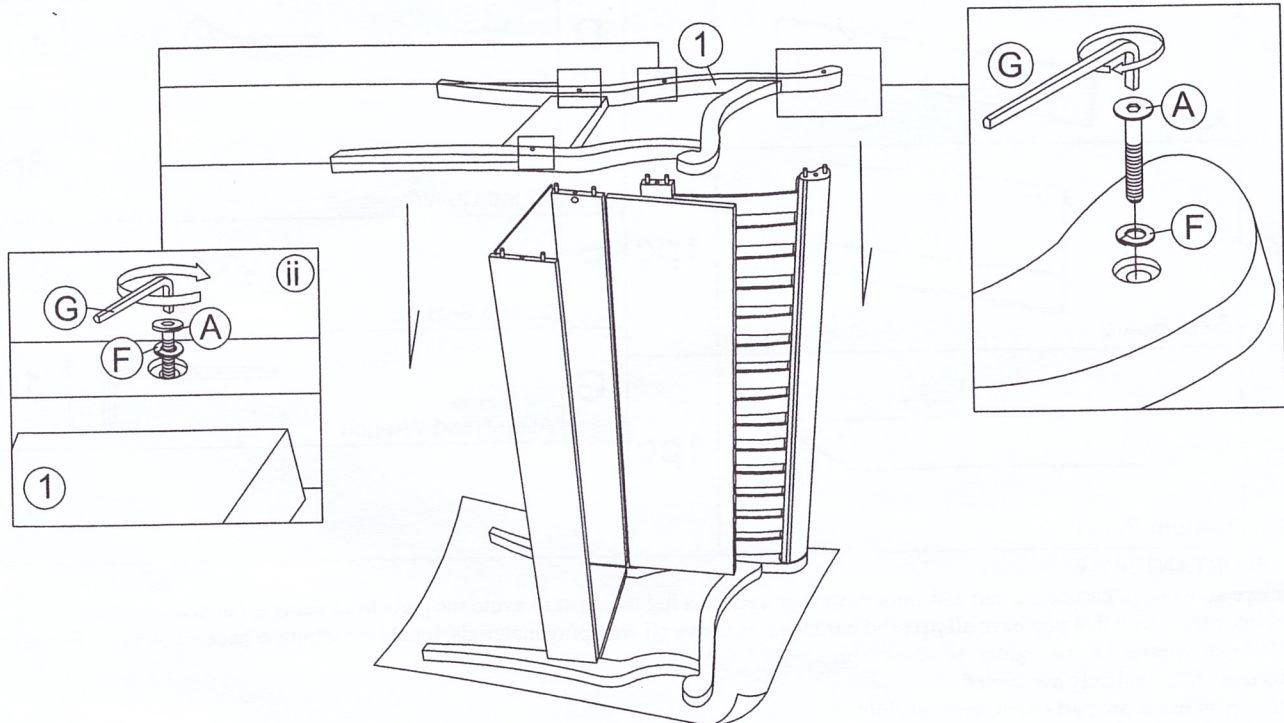
STEP 1



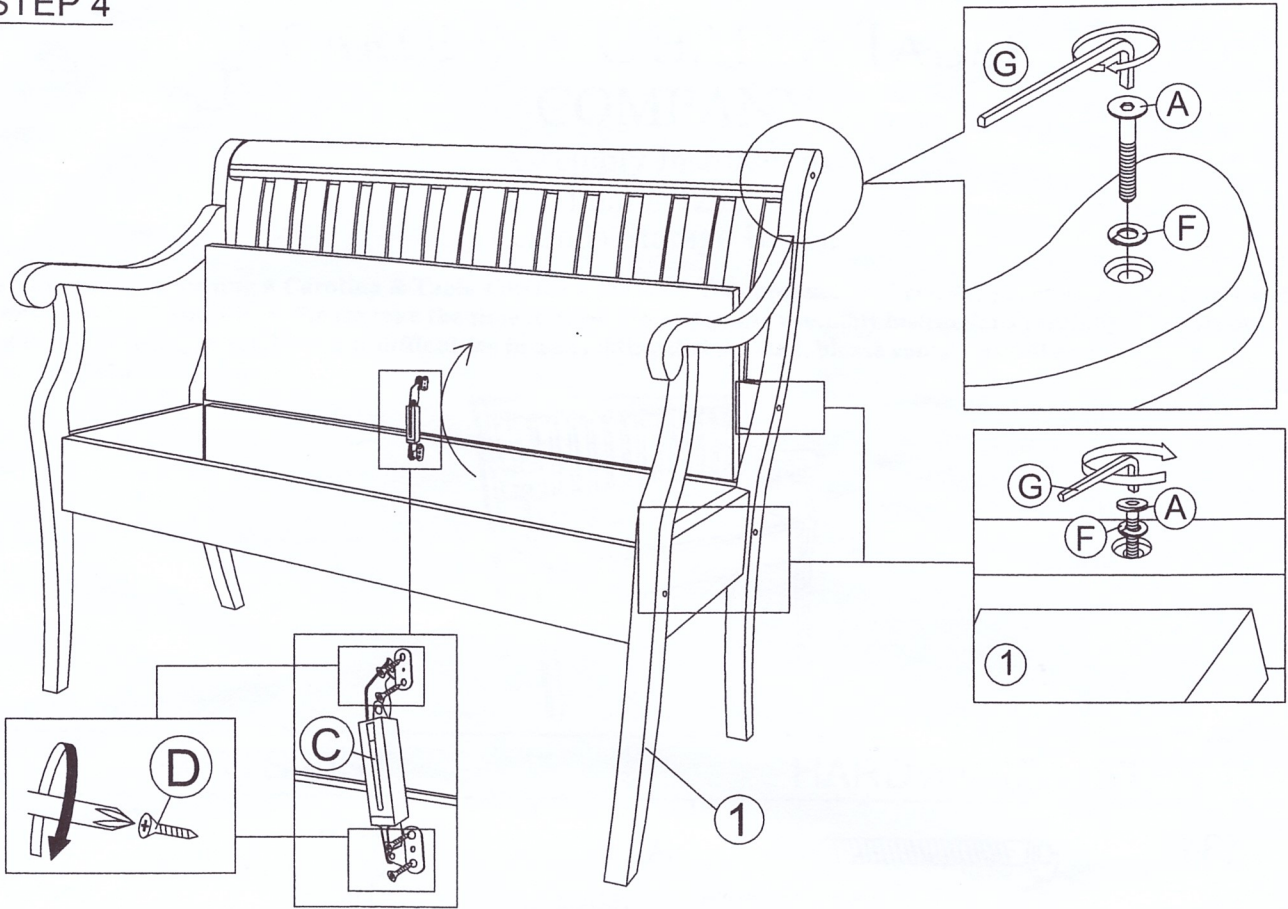
STEP 2



STEP 3



STEP 4



STEP 5

