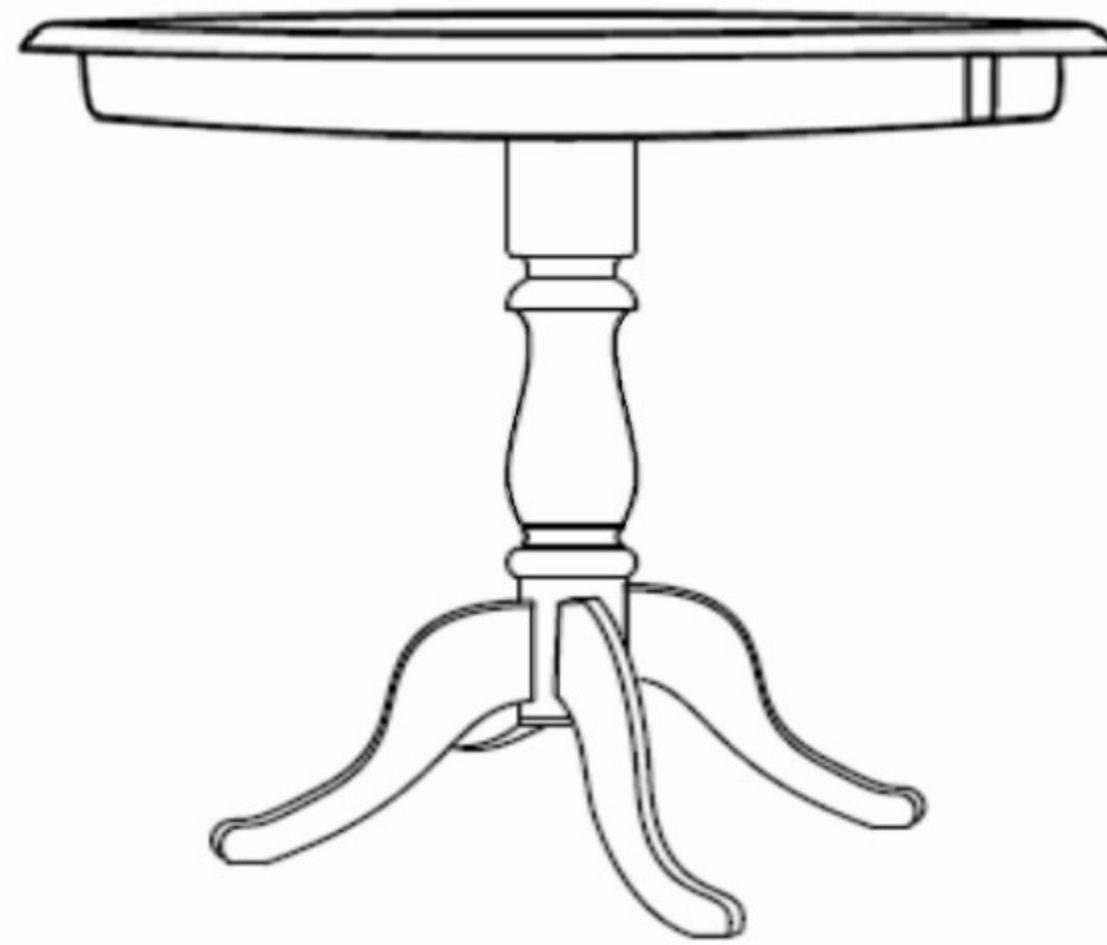


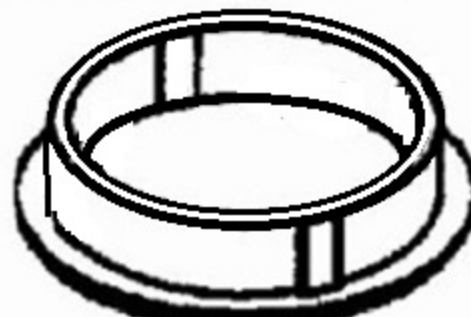


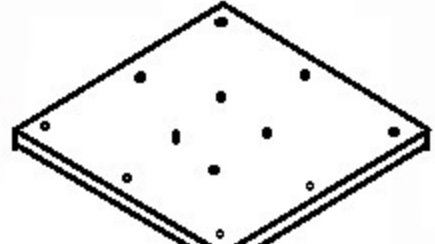
Assembly Instructions

Bar Table # 3630 / 3636








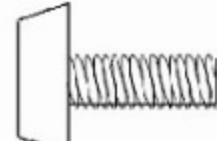


Thank you for purchasing Carolina Chair & Table Company product. This product has been designed for easy assembly and constructed for durability. Please take the time to read and follow the assembly instructions carefully. If a part or hardware is missing or you have any difficulties in assembling this product, please contact us Toll Free at 1-800-228-3876.

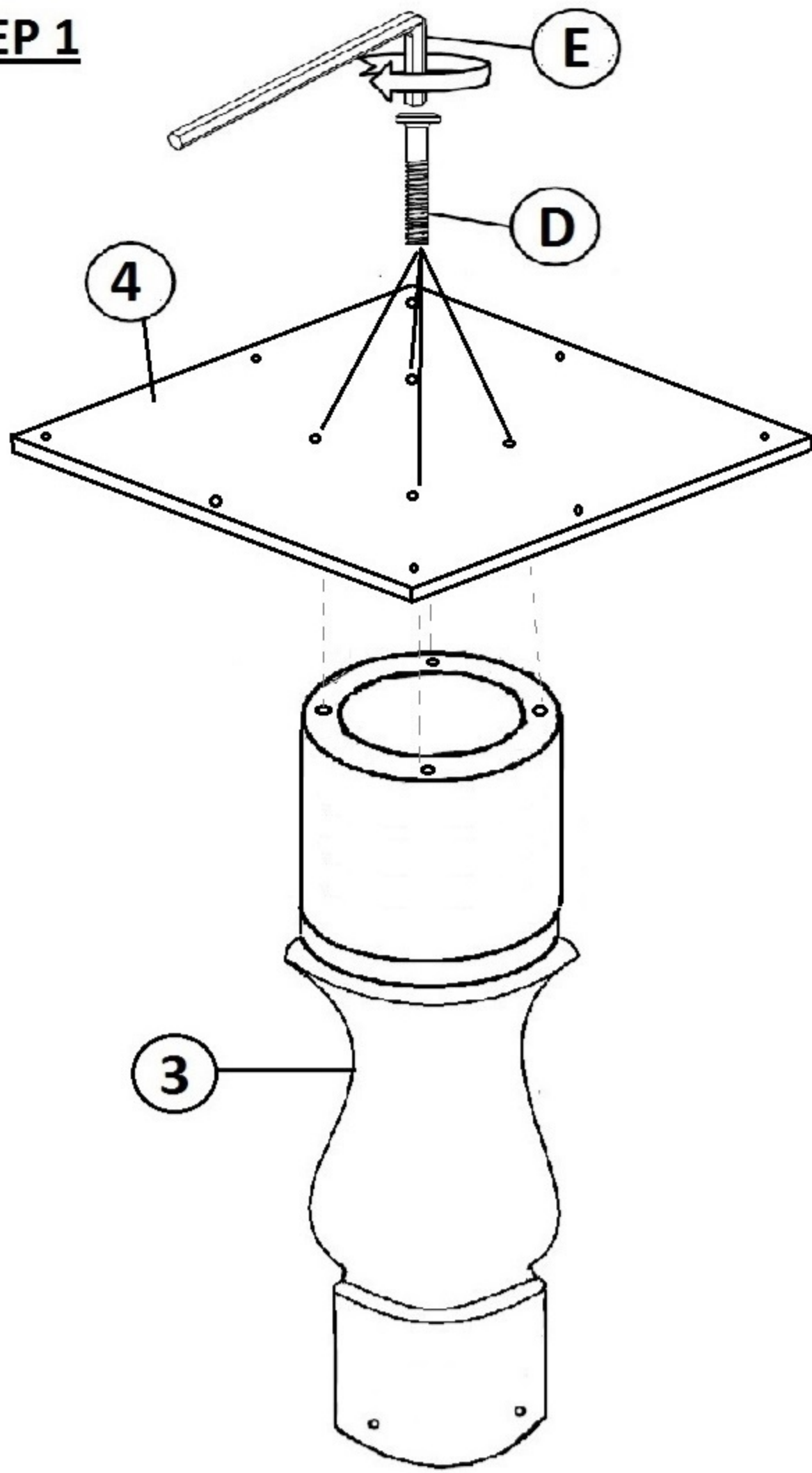
PARTS LIST:

① Bar top		1 PC
② Leg		4 PCS
③ Pedestal		1 PC
④ Bar top support		1 PC

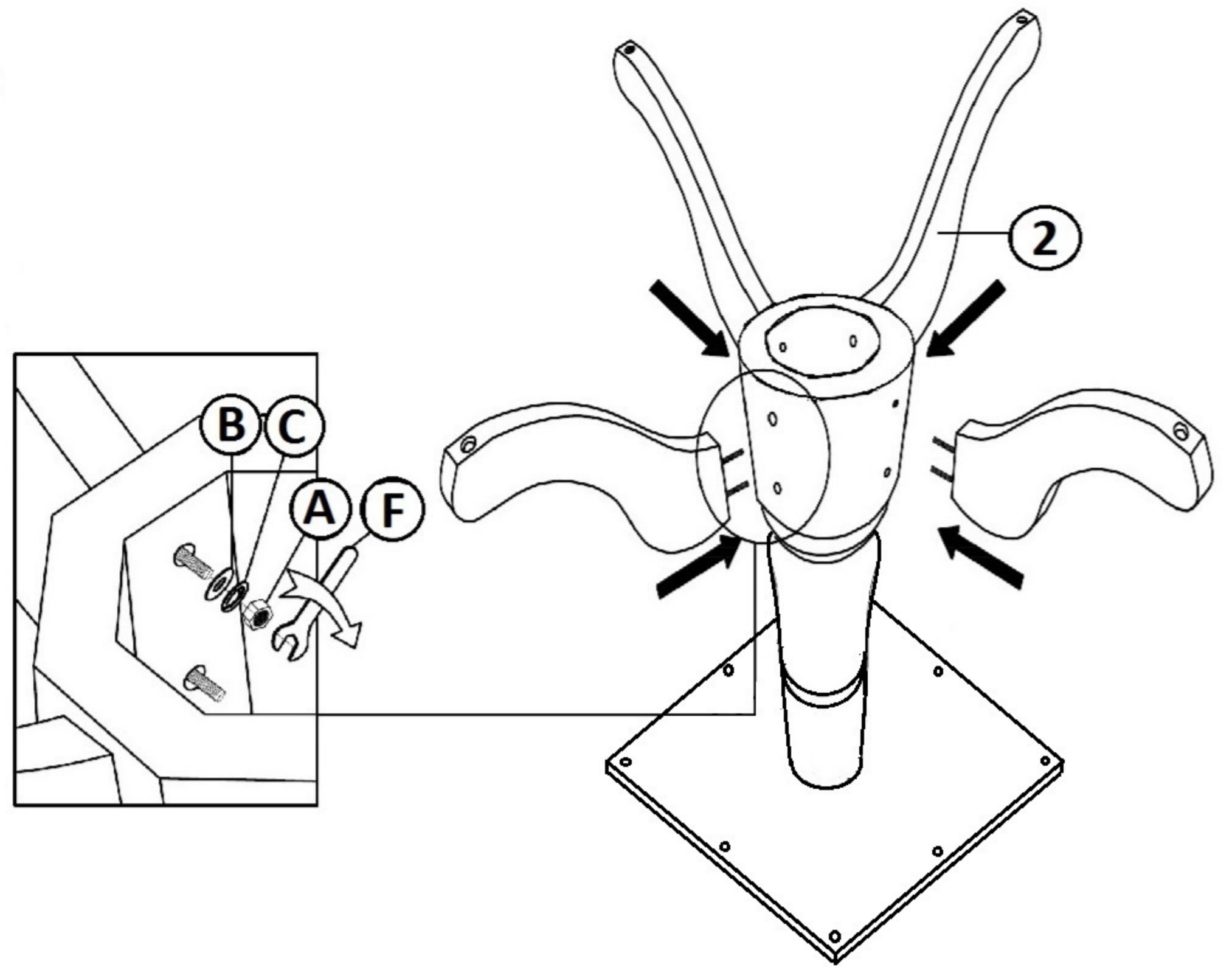
HARDWARE LIST:

(A) Hex Nut		4 PCS
(B) Flat Washer		4 PCS
(C) Spring Washer		4 PCS
(D) JCBC Bolt		4 PCS
(E) Allen Key		1 PC
(F) Wrench		1 PC
(G) Chipboard Screw		8 PCS
(H) Adjustable Glide		4 PCS

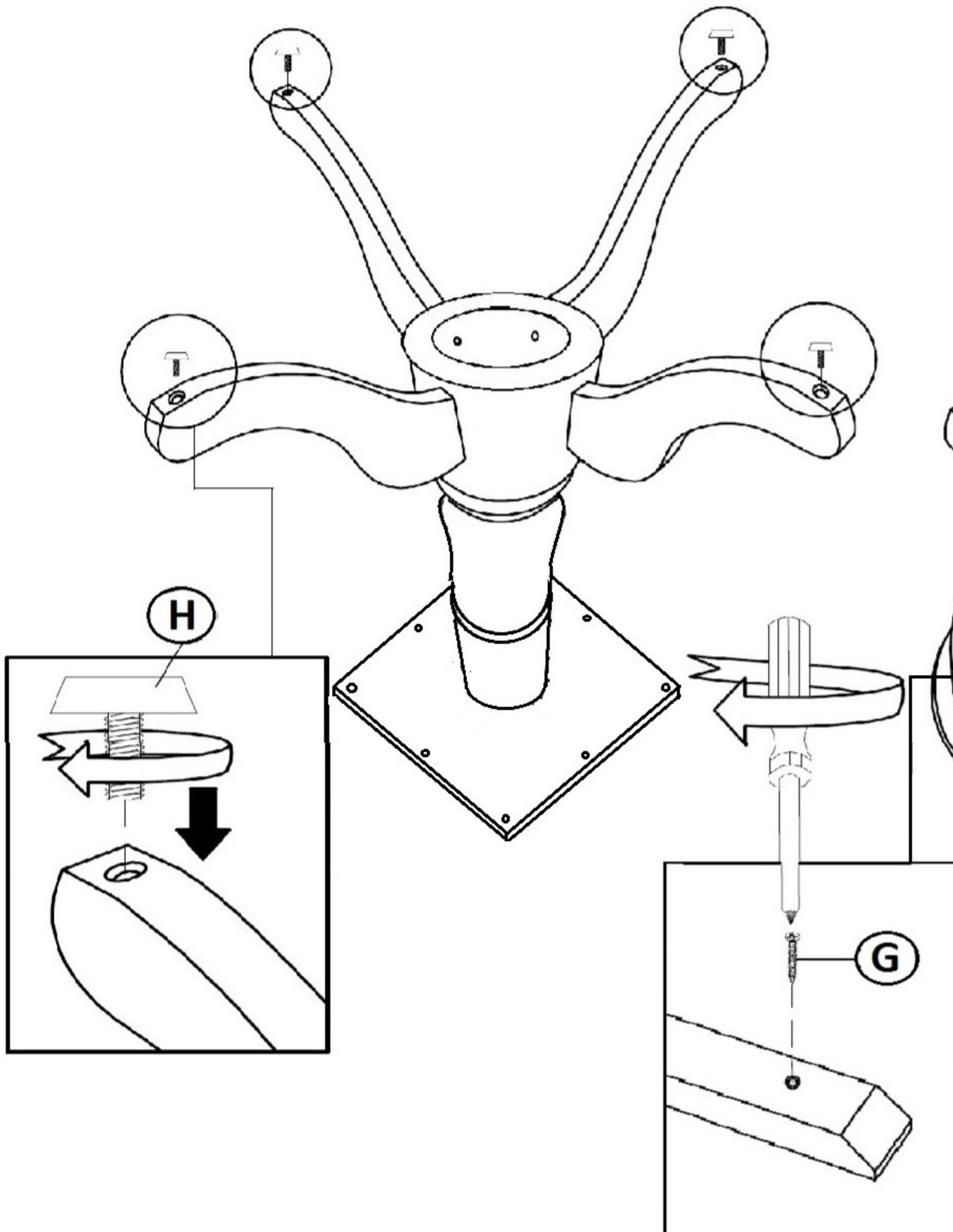
STEP 1



STEP 2



STEP 3



STEP 4

