

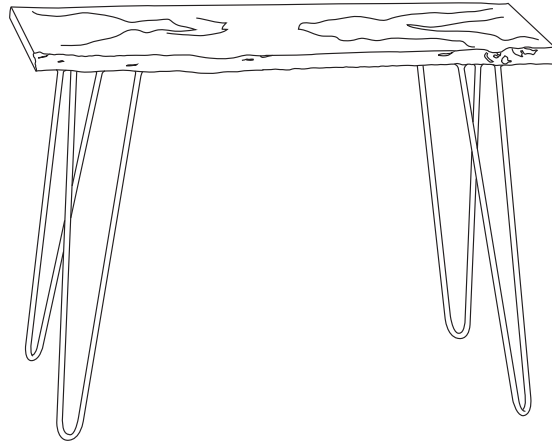


CAROLINA FORGE


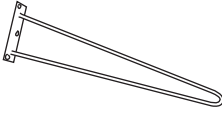
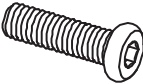



Assembly Instructions

Item # LE1430

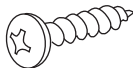
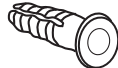


CONSOLE



Thank you for purchasing a Carolina Forge Company product. This product has been designed for easy assembly and is constructed for durability. Please take the time to read and follow the assembly instructions carefully. If a part or hardware is missing or you have any difficulties in assembling this product, please contact us Toll Free 1-800-228-3876.

NO.	PART	DESCRIPTION	Q'TY	NO.	PARTS	DESCRIPTION	Q'TY
A		Table Top	1PC	B		Leg Assembly	4PC
C		Allen Head Bolt	12PCS	D		Flat Washer	12PCS
E		Spring Washer	12PCS	F		Allen head wrench	1PC

Tip Resistance Kit

G		Allen Screw 12mm	2 PCS	H		Expansion Tube	2 PCS
I		Plastic Fastener 5MM	2 PCS	J		L Bracket	2 PCS



CAROLINA FORGE

Assembly Instructions

Item # LE1430

CONSOLE

STEP 1

