



5.0 cu ft Electric Concrete Mixer

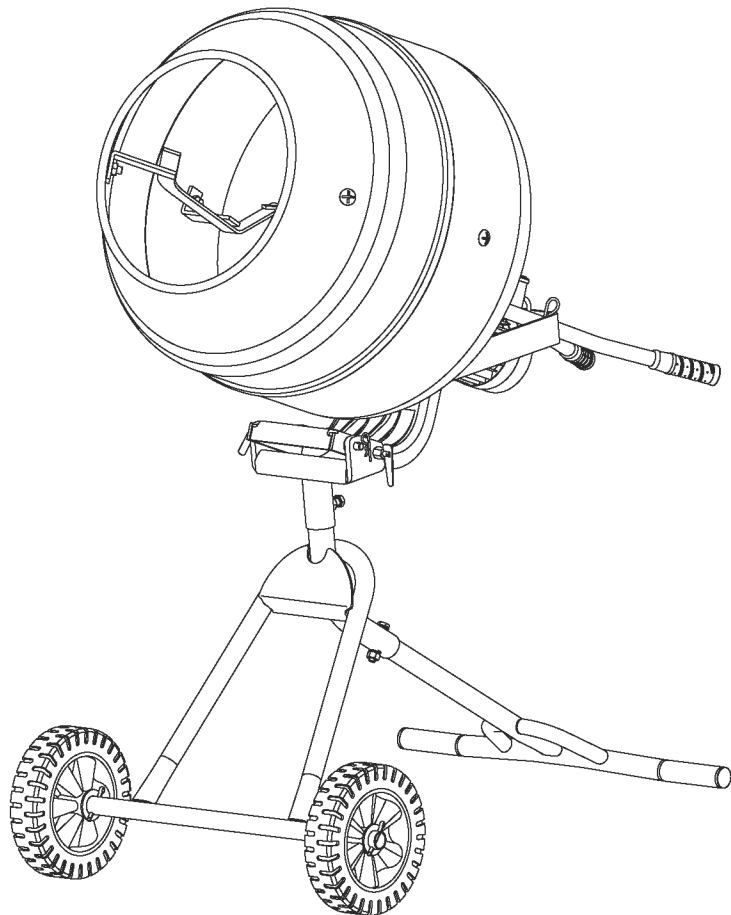
Operator's Manual

MODEL NUMBER
YM0146

SERIAL NUMBER

PURCHASE DATE

Both model number and serial number may be found on the main label (see **Page 2, Figure 1**). You should record both of them in a safe place for future use.



FOR YOUR SAFETY

READ AND UNDERSTAND THE ENTIRE MANUAL BEFORE OPERATING MACHINE

Your new YARDMAX® electric concrete mixer offers quality construction, and is easy and safe to operate. With proper use and care, it is designed to give you many years of dependable service.

Prepare to experience the durability to take on any job – with the ease, portability, and convenience of clean, electric mixing!

Discover the YARDMAX Advantage

At YARDMAX, we understand that land ownership definitely has its privileges, but it also comes with a great deal of responsibility. When duty calls and you need to respond, will you have what it takes to tame the great outdoors?

When looking for outdoor power equipment (OPE) to get the job done right, at the right price, YARDMAX delivers the perfect combination of performance and practicality. YARDMAX has a solution that's right for you.

MAX Performance, MAX Value, MAX Support – that's YARDMAX

- ✓ Backed by decades of proven manufacturing expertise
- ✓ Enhanced design features are standard
- ✓ Engineered for the best user experience
- ✓ Quality metal parts are used instead of plastic
- ✓ A robust warranty supports all products
- ✓ Budget-friendly prices make it practical



Up for the job? YARDMAX is.

TABLE OF CONTENTS

Introduction	1	Operation	10
Specifications	3	Maintenance	11
Symbols	3	Wiring Diagram	12
Safety	4	Troubleshooting	12
Contents Supplied	6	Parts Diagram	13
Assembly	7	Parts List	14
Know Your Machine	9		



Carefully read through this entire operator's manual before using your new Concrete mixer. Pay attention to all cautions and warnings.

CALIFORNIA PROPOSITION 65 WARNING

Engine exhaust, some of its constituents and certain product components contain or emit chemicals known to the state of California to cause cancer and birth defects or other reproductive harm. For more information, go to www.P65Warnings.ca.gov.

ENVIRONMENTAL



Recycle unwanted materials instead of disposing of them as waste.

MODEL AND SERIAL NUMBERS

For future reference, record both the model number (see **Figure 1, Illustration a**) and the serial number (see **Figure 1, Illustration b**), as well as date and place of purchase. Have this information available when ordering parts, optional accessories and when making technical or warranty inquiries.

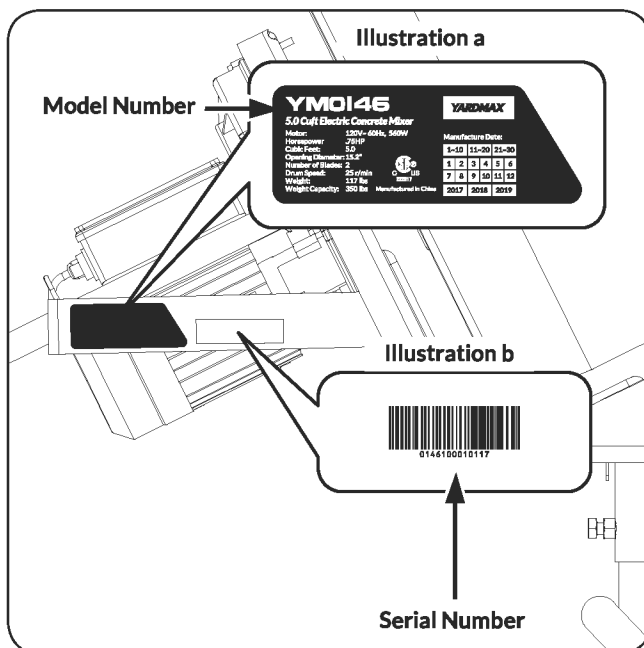


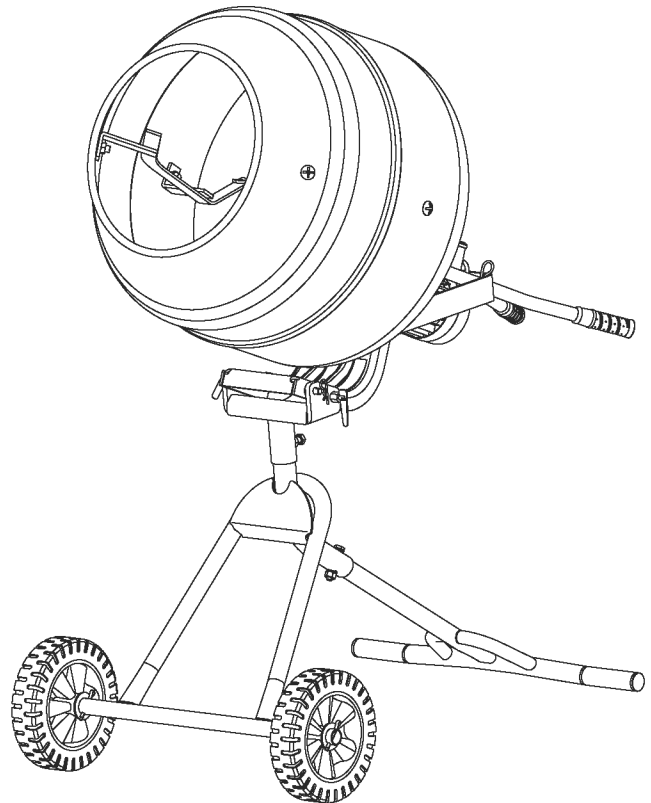
Figure 1

DISCLAIMER

YARDMAX reserves the right to discontinue, change, and improve its products at any time without notice or obligation to the purchaser. The descriptions and specifications contained in this manual were in effect at printing. Equipment described within this manual may be optional. Some illustrations may not be applicable to your unit.

SUPPORT

Have questions about your YARDMAX equipment? Call us at 844-YARDMAX, email us at support@yardmax.com, or contact us via your favorite social media site.



SPECIFICATIONS

Model Number	YM0146
Cubic Feet	5.0
Motor	120V~ 60Hz, 560W
Horsepower	.75 HP
Drum Type	Steel
Weight Capacity	316 lbs
Number of Blades	2
Opening Diameter	15.2"
Product Weight	117 lbs

SYMBOLS

The rating plate on your machine may show symbols. These represent important information about the product or instructions on its use.



Read these instructions carefully.



Wear eye protection.

Wear hearing protection.



Wear protective gloves.



Wear safety footwear.



Only use or operate the mixer on solid, flat, level ground that is capable to support the weight of the mixer and its load. To prevent the mixer from tipping over, only use or operate the mixer on solid, flat, level ground capable of supporting both the weight of the mixer and its contents.



Do not attempt to move the mixer when it is loaded and/or in operation.



Check your mixer before turning it on. Keep guards in place and in working order.



Keep hands out of the way of all moving parts.



When operating, do not pass hands through the clearance between frame and support arm or the one between the drum and support arm.



Take left over materials to an authorized collection point or follow the stipulations in the country where the mixer is used. Do not discharge into drains, soil or water.



Keep children and bystanders off and away.



Disconnect the main plug prior to the repair, cleaning, and maintenance of the mixer!

SAFETY

KNOW YOUR CONCRETE MIXER

Read this manual and all labels to understand your YARDMAX concrete mixer and its limitations and potential hazards.

DRUGS, ALCOHOL, AND MEDICATION

Do not operate your concrete mixer while under the influence of drugs, alcohol, or any medication that could affect your ability to use it properly.

AVOID DANGEROUS CONDITIONS

Secure your concrete mixer on level ground. Keep your work area clean and well lighted. Cluttered areas may cause injuries. Do not use your concrete mixer in wet or damp areas or expose it to rain. Do not use it in areas where fumes from paint, solvents, or flammable liquids pose a potential hazard.

To prevent the mixer from tipping over, only use or operate the mixer on solid, flat, level ground capable of supporting the weight of both the mixer and its load. Do not attempt to move the mixer when it is loaded and/or in operation. This mixer is intended for the production of concrete, mortar and plaster. It is not suitable for the mixing of flammable or explosive substances. Do not use it in areas where fumes from paint, solvents or flammable liquids pose a potential hazard.

INSPECT YOUR CONCRETE MIXER

Check your mixer before turning it on. Keep guards in place and in working order. Do not plug mixer with motor cover off. Check all bolts, nuts, and screws for tightness before each use, especially those securing guards and drive mechanisms. Vibration during mixing may cause these to loosen. Form a habit of checking to see that all the adjusting tools, shovels, hand trowels and other tools/equipments are removed from mixer area before turning it on. Replace damaged, missing or failed parts before using it. Warning labels carry important information. Replace any missing or damaged warning labels.

DRESS PROPERLY

Do not wear loose clothing, gloves, or jewelry (rings, watches) that can be caught in moving parts. Wear protective, non-conductive gloves and non-skid footwear. Pull long hair back or wear a hat to prevent hair from getting caught in the machine.

PROTECT YOUR EYES

Always wear safety glasses. Concrete mixers can throw foreign objects into the eyes, causing permanent eye damage. Every day glasses do not have impact-resistant lenses and should not replace safety glasses. Z87 rated glasses are recommended.

PROTECT YOUR BODY

Always stand behind the concrete mixer and stay alert.

KEEP VISITORS AND CHILDREN AWAY

Keep unauthorised persons away from the mixer. Do not allow children to handle or climb on or in the mixer.

EXTENSION CORDS

Improper use of extension cords can cause the motor to overheat. Your extension cord should be no longer than 30 feet and a minimum of 12 gauge with a 3-prong grounded plug.

Avoid use of free and inadequately insulated connections. Connections must be made with protected material suitable for outdoor use. Make sure that any extension cord connections are dry and safe. Ensure that the extension cord is carefully laid out avoiding liquids, sharp edges and places where vehicles might run over it. Avoid allowing the extension cord to be trapped underneath the mixer. Unroll it fully or it will overheat and could catch fire.

AVOID ELECTRICAL SHOCK

Do not plug or unplug the motor while standing in or around damp or wet ground. Do not use the mixer in wet or damp areas or expose it to rain. Prevent body contact with grounded surfaces: pipes, radiators, ranges, and refrigerator enclosures. Make sure your fingers do not touch the plug's metal prongs when plugging or unplugging the mixer.

Do not touch the electric wires inside the motor cover. For any service please contact YARDMAX or an authorized service center. Make sure your fingers do not touch the plug's metal prongs when plugging or unplugging the concrete mixer.



WARNING! Stay of clear of all moving parts!

DON'T OVERREACH

Keep proper footing and balance at all times when loading or unloading the mixer. Never stand on mixer. Serious injury could occur if the mixer is tipped or if the moving parts are unintentionally contacted. Do not store anything above or near the mixer where anyone might stand on the mixer to reach them.

AVOID INJURY FROM ACCIDENTS

Keep hands out of the way of all moving parts. Do not place any part of your body or any tool - such as a shovel - in the drum during operation. When operating, do not pass hands through the clearance between frame and support arm, or through the space between the drum and the support arm.

PROTECT YOUR HANDS

Keep your hands away from all moving parts. Do not place any part of your body in the drum, or under the finger guard, at any time while the motor is on.

DO NOT FORCE TOOL

Do not use the concrete mixer for any other purpose than that for which it was intended. Do not start the motor if the drum is fully loaded. Do not turn the mixer off if it still contains concrete. The mixer is not to be towed.

NEVER LEAVE MACHINE UNATTENDED

Do not leave your concrete mixer until it has come to a complete stop.

DISCONNECT POWER

Unplug your concrete mixer when not in use and before making adjustments, changing parts, cleaning, or servicing. Consult the technical manual before servicing.

PROTECT THE ENVIRONMENT

Take left over materials to an authorized collection point or follow the stipulations in the country where the mixer is used. Do not discharge into drains, soil, or water.

MAINTAIN YOUR CONCRETE MIXER WITH CARE

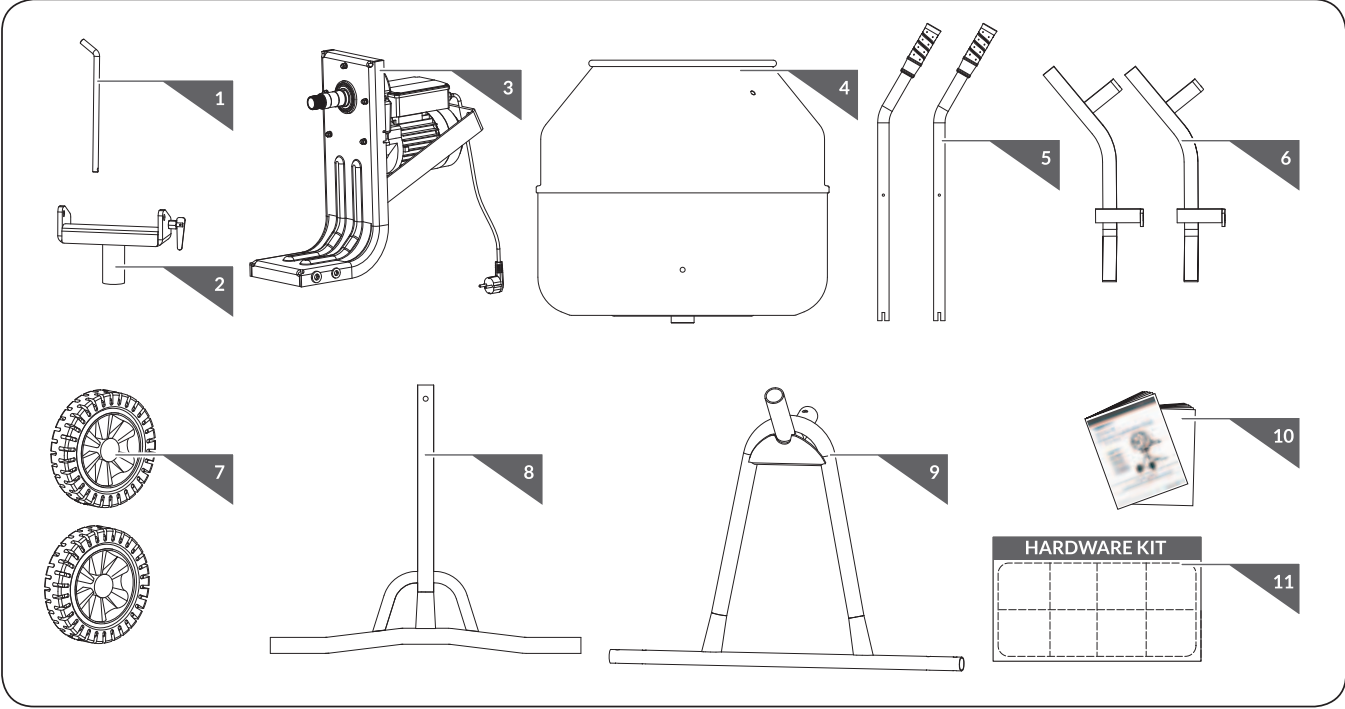
Keep your concrete mixer and its parts clean.

CHILDPROOF YOUR WORKSHOP

Store your concrete mixer away from children and others not qualified to use it.

CONTENTS SUPPLIED

Your YARDMAX concrete mixer comes partially assembled and contains the following:



- 1. Pivot Pin
- 2. Swivel Bracket
- 3. Drum Support Frame with motor
- 4. Drum
- 5. Drum Handles (1 pair)
- 6. Mixing Blades (1 Pair)
- 7. Wheels (1 Pair)
- 8. Rear Support Leg
- 9. Front Support Leg
- 10. Operator's Manual

11. Hardware Bag:

	Ø6 × 50	× 4	1	
		× 4		
	M10 × 60	× 1		
	Ø 3	× 1		2
	M10 × 25	× 1		3
	M12 × 25	× 4	4	
	Ø 3.5	× 2	5	

ASSEMBLY

This concrete mixer is partially assembled at the factory. To assemble your machine follow the below instructions.



Assembly requires two persons (recommended).

STAND

1. Insert a cotter pin into the inside hole on each side of the front frame axle. Then, slide a flat washer and a wheel onto each side of the axle. (See **Figure 1a, Illustration 1**) Secure each wheel with a flat washer on the outside, and then insert a cotter pin on each side in the outer hole. Bend and spread all the cotter pin prongs in opposite directions. (See **Figure 1a, Illustration 2**).
2. Insert the rear leg of the stand into the front frame. (See **Figure 1a, Illustration 3**) Insert an M10x60 bolt with arc washer through the hole from upper side. Then, put an arc washer, lock washer, and nut on the bolt from the other side. Secure tightly with wrenches.

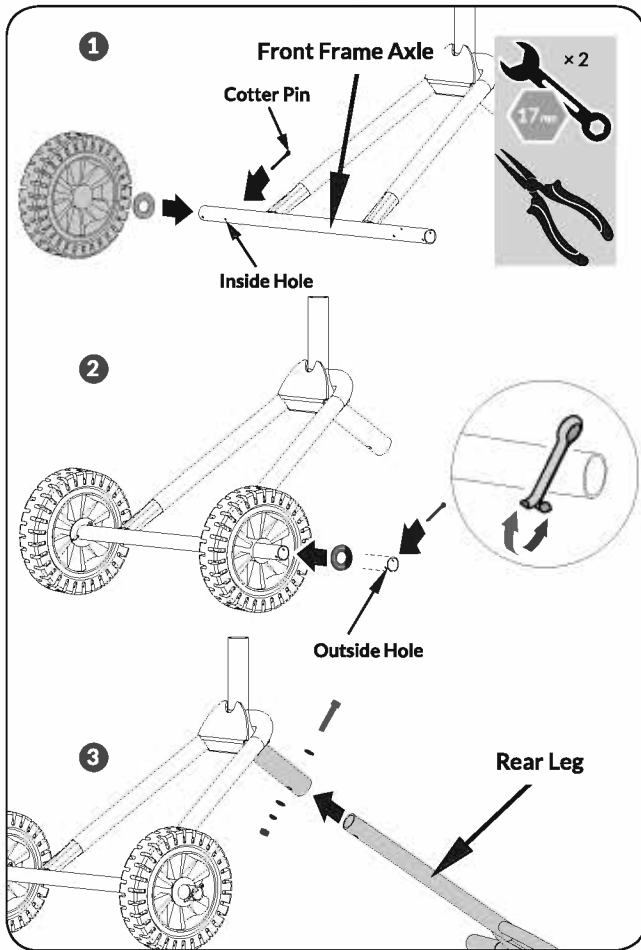


Figure 1a

	Ø6 × 50	× 4	1
		× 4	
	M10 × 60	× 1	

3. Attach the swivel bracket to the drum support frame with a 12 X 240 pivot pin. Then insert the R-pin to hold the pivot pin in place.

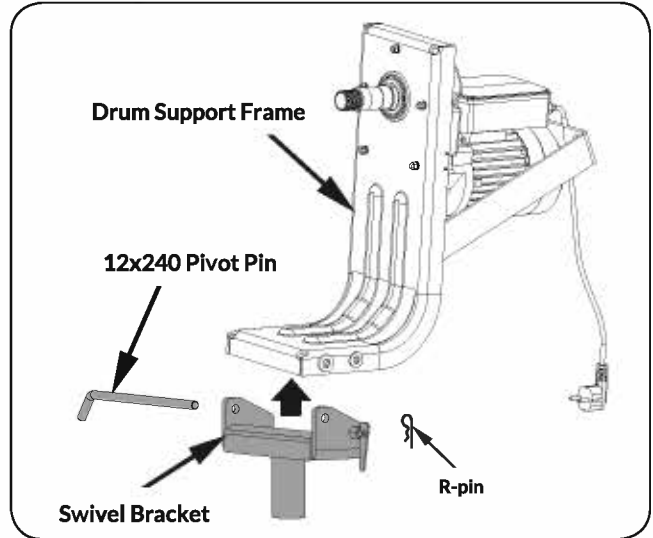


Figure 1b

	Ø 3	× 1	2
--	-----	-----	----------

4. Slide the swivel bracket and drum support frame onto the shaft of the cement mixer frame. Secure them together with an M10x25 bolt. (See **Figure 1c**)

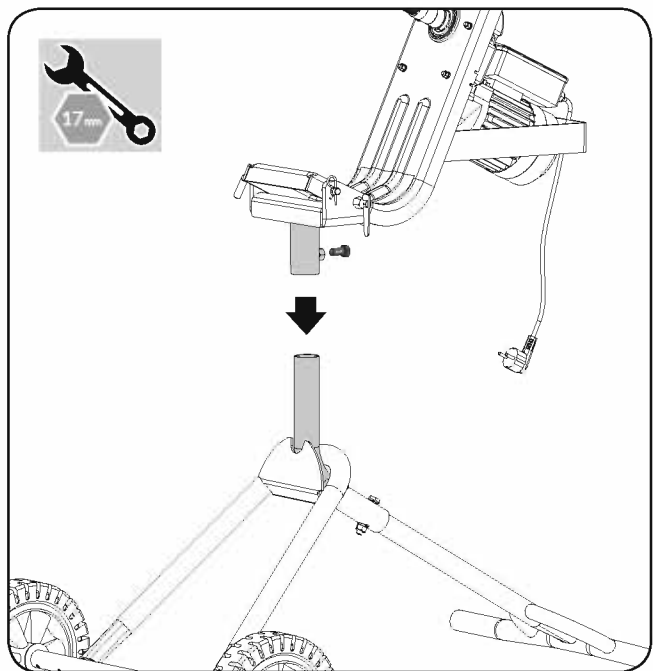


Figure 1c

	M10 × 25	× 1	3
--	----------	-----	----------

MIXING BLADES

1. Insert a M12x25 philips screw from outside through the hole in the drum. Mount the mixing blade on the screw from inside. Secure it loosely with a M12 nut. (See **Figure 2**)
2. Repeat the above step to secure the second mixing blade to the inside of the drum.
3. Finally, tighten all nuts and bolts to tightly secure blades.

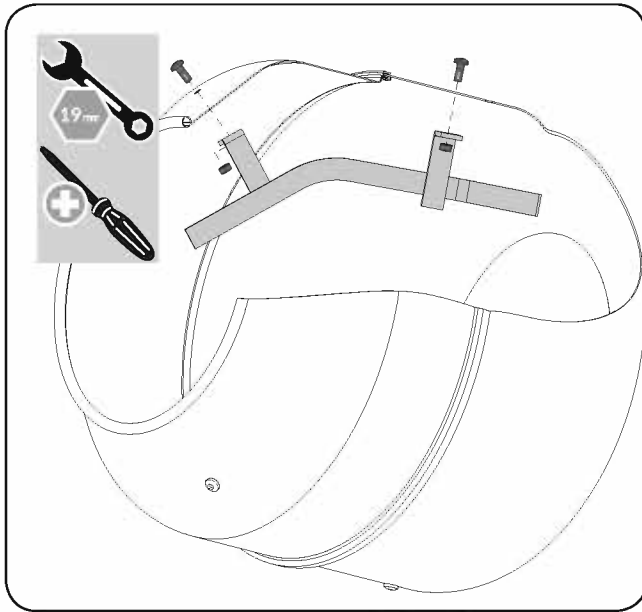


Figure 2



M12 × 25

× 4

4

DRUM AND DRUM HANDLES

1. Mount the cement mixer drum onto the gear box shaft. Turn the drum clockwise on the gear box shaft thread until the shaft is completely located in the drum. (See **Figure 3**)
2. Slide drum handles through holes in the drum support frame and notches.
3. Insert the R-pins through the holes in the handles to hold them in place.

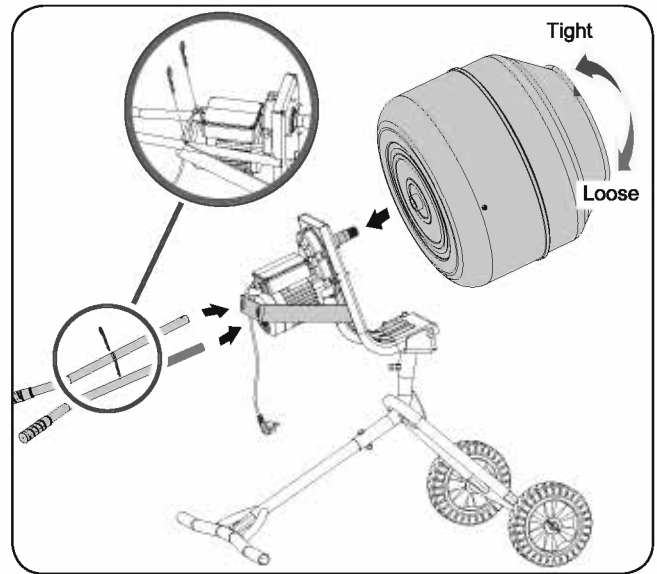


Figure 3



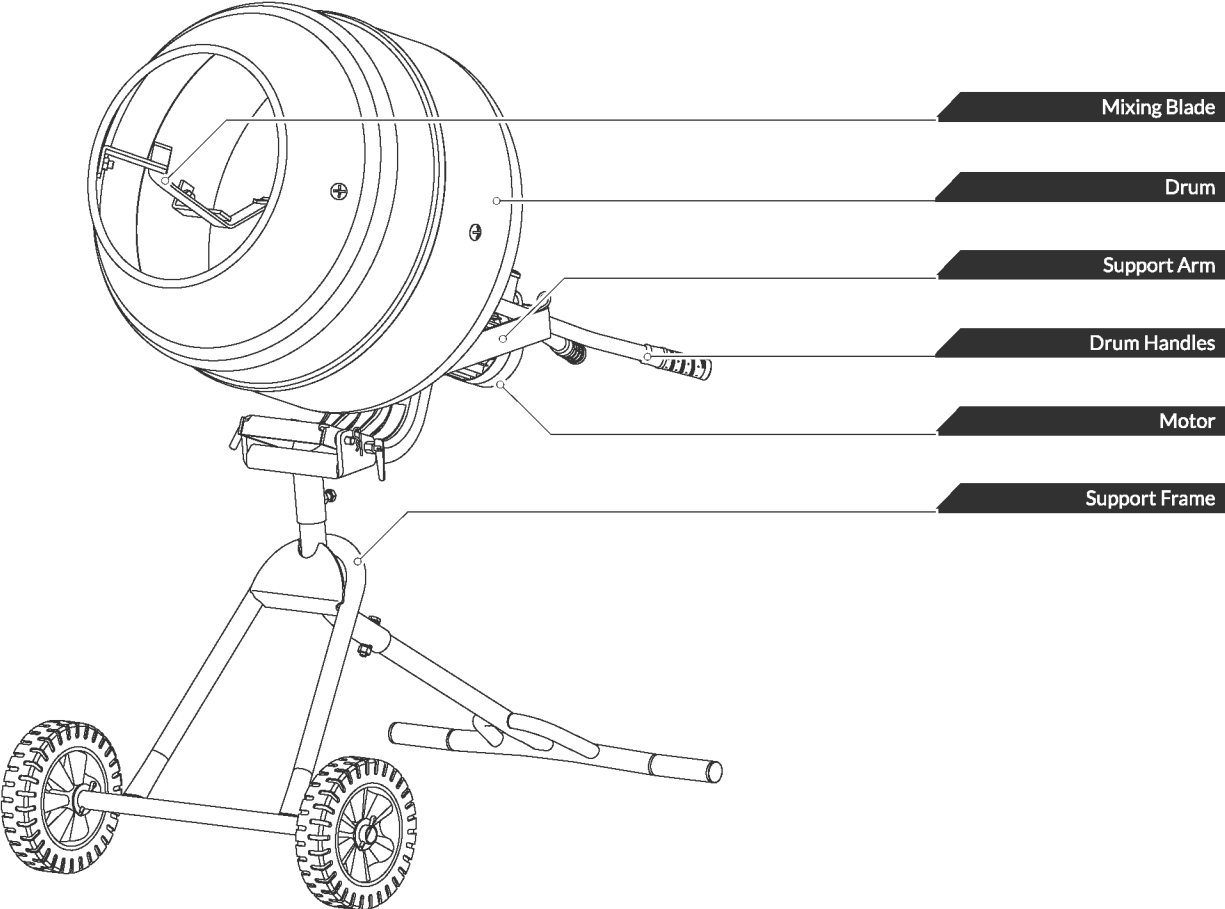
Ø 3.5

× 2

5

KNOW YOUR MACHINE

FEATURES AND CONTROLS



OPERATION

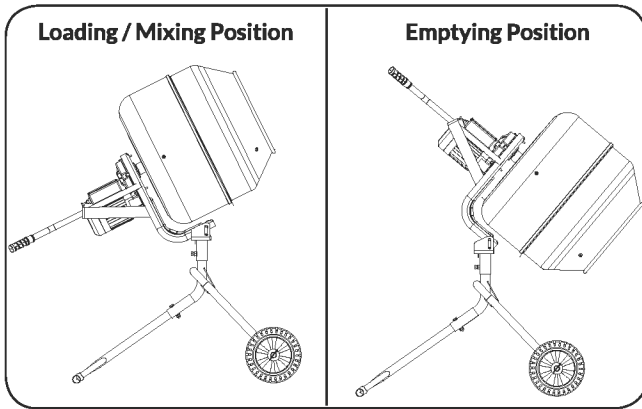


Figure 4

LOADING



Completely unwind the extension cord. Connect it to the concrete mixer first before plugging in power supply.



Always start the motor before you start loading the drum. The mixer blades should be turning before you start adding the contents.



To avoid concrete or mortar sticking to the insides of the mixer drum, slowly pour material into the mixer steadily over the rim.



A built-in thermal protector is installed in the motor to prevent overheating, and will cool automatically as the motor cools.

For best results, always load the mixer in the following order:

1. Add the required amount of gravel into the drum.
2. Add the required amount of cement into the drum.
3. Add the required amount of sand into the drum.
4. Pour the required amount of water into the drum.

EMPTYING



Do not turn the mixer off (stop rotating arms) if you have content inside the bin. Always empty the drum completely with the mixer arms rotating.

MAINTENANCE



Before starting any maintenance or repairs, stop engine or switch off motor, and isolate from the main power supply.



Wipe off any external material on the motor. Do not use petrol, turpentine, lacquer or paint thinner, dry cleaning fluids or similar products.



On completion of maintenance, check that the mixer functions correctly and that all guard are correctly fitted.



The wiring diagram and parts schematic in this manual are for reference purposes only. Neither the manufacturer nor distributor makes any representation or warranty of any kind to the buyer stating that he or she is qualified to make any repairs to the product, or that he or she is qualified to replace any parts of the product. Only qualified technicians should repair the mixer. Any maintenance and repairs to any of the electric components must be performed by a qualified electrician.

CLEANING



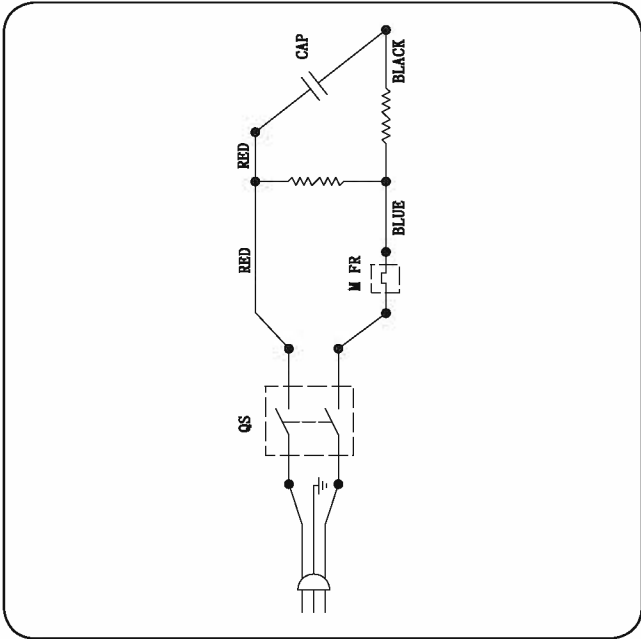
Never put hands or limbs inside the drum while the mixer arms are rotating.



Parts in a circle should only be fitted by a qualified electrician.

Thoroughly clean the mixer at the end of each day's operation. Keep your mixer clean. The slightest trace of material left in the drum will harden and attract more each time you use it until the machine is useless. Dried cement should be scraped out of the drum. Do not throw bricks into mixer drum to clean it out. Do not beat on the drum with a shovel, a hammer or other tools to break up accumulations of dried cement mix, as damage to the mixer may result.

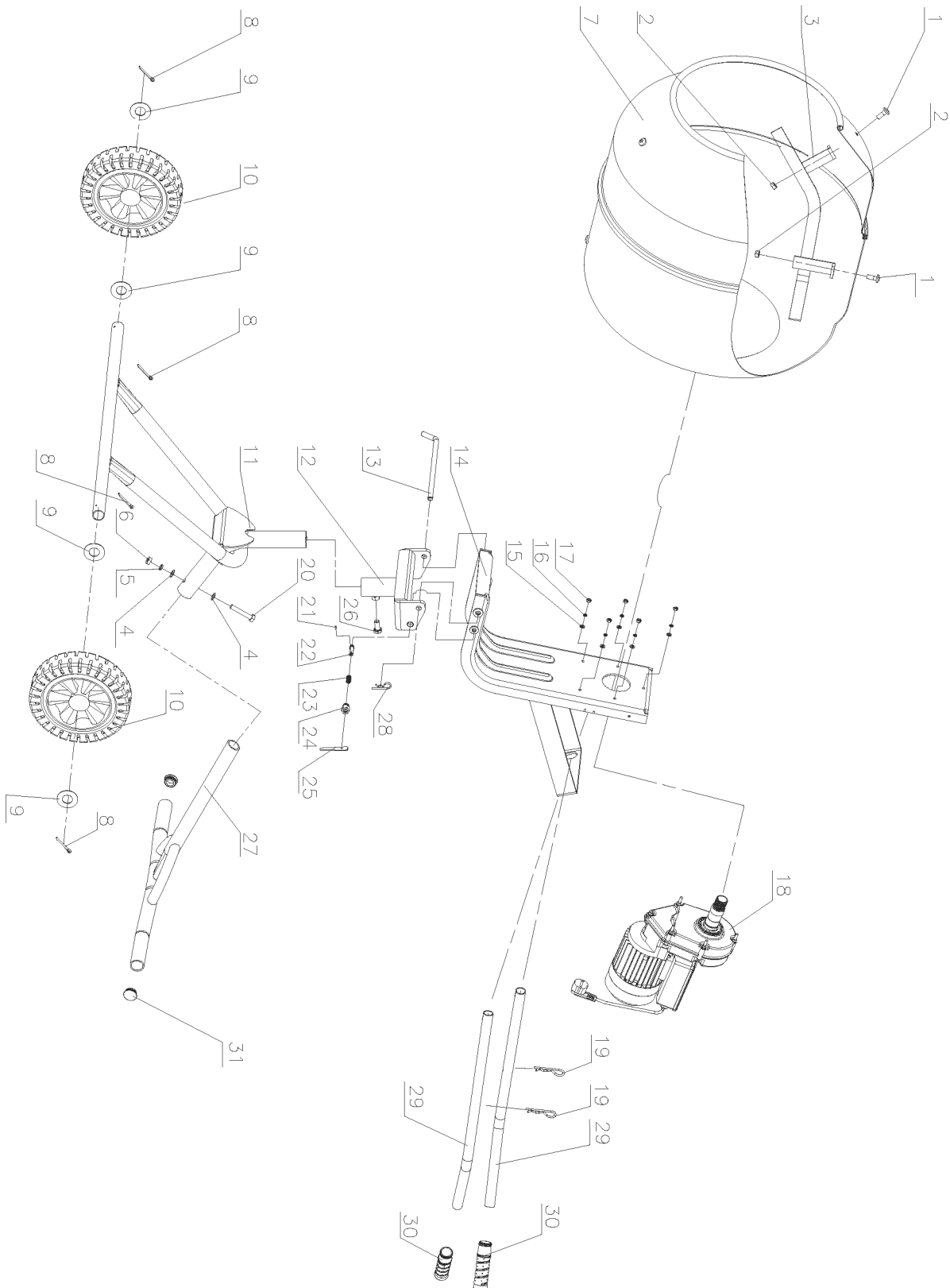
WIRING DIAGRAM



TROUBLESHOOTING

Problem	Cause	Remedy
Motor stops working	Thermal protector works	Stop working for a while until motor cools
Drum fails to rotate	Motor stops working due to overheat	Stop working for a while until motor cools

PARTS DIAGRAM



PARTS LIST

No.	Description	QTY.
1	Cross Headed Screw M12x25	4
2	Nut M12	4
3	Mixing Blade	2
4	Flat Washer 10	2
5	Lock Washer 10	1
6	Nut M10	1
7	Drum	1
8	Cotter Pin $\varnothing 6 \times 50$	4
9	Flat Washer	4
10	Wheel	2
11	Front Frame	1
12	Swivel Bracket	1
13	Pivot Pin $\varnothing 12 \times 240$	1
14	Drum Support Frame	1
15	Flat Washer 6	5
16	Lock Washer 6	5

No.	Description	QTY.
17	Nut M6	5
18	Motor and Gear Box	1
19	R-Pin $\varnothing 3.5$	2
20	Bolt M10x60	1
21	Pin 3x10	1
22	Pin Shaft	1
23	Spring	1
24	Pin Bushing	1
25	Cam Lever	1
26	Bolt M10x25	1
27	Rear Leg	1
28	$\varnothing 3$ R-Pin	1
29	Drum Handle	2
30	$\varnothing 25$ Handle Grip	2
31	Tube Plug	2

Tame the Great Outdoors®

