

# Earthquake®

Groundbreaking Power Equipment

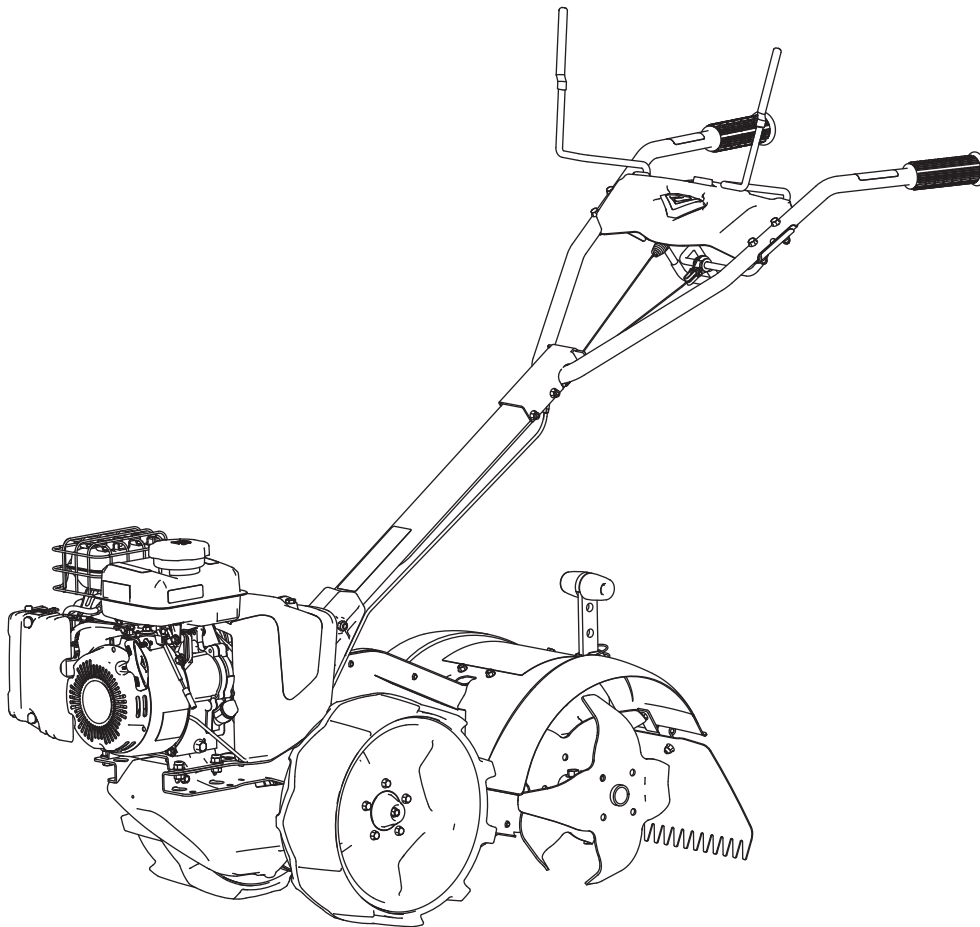
Operator Manual  
Manuel de l'utilisateur

**Pioneer™**  
Dual Direction Rear Tine Tiller

**Model Number, Numéros de modèle :**  
**31285**

ENGLISH

FRANÇAIS



Get parts or technical assistance online at  
**[www.getearthquake.com](http://www.getearthquake.com) or call (800) 345-6007**  
Pièces détachées et assistance technique en ligne à  
**[www.getearthquake.com](http://www.getearthquake.com) ou composer le (800) 345-6007**

© 2020 Ardisam  
All Rights Reserved  
Tous droits réservés  
P/N: 31411  
ECN: 12782  
REV 2: 01/31/2020



THIS INSTRUCTION BOOKLET CONTAINS IMPORTANT SAFETY INFORMATION. PLEASE READ AND KEEP FOR FUTURE REFERENCE.  
CE LIVRET D'INSTRUCTIONS CONTIENT DES INFORMATIONS IMPORTANTES SUR LA SÉCURITÉ. VEUILLEZ LE LIRE ET LE CONSERVER POUR TOUTE CONSULTATION EXTÉRIEURE.



## ACTIVATE YOUR WARRANTY BEFORE USE

All products must be registered within 30 days from the date of purchase in order to be covered under warranty. For more information regarding Warranty and Registration please review the Warranty and Registration terms and conditions expressed in the warranty insert.

## TABLE OF CONTENTS

Introduction/Contents . . . . .	2
Warnings and Safety Precautions . . . . .	3-7
Features . . . . .	8
Operation . . . . .	9-12
Maintenance and Storage . . . . .	12-15
Troubleshooting and Repair . . . . .	16
Assembly . . . . .	External Document

## INTRODUCTION

Thank you for purchasing your product from Earthquake®. We have worked to ensure that this product meets the highest standards for usability and durability. With proper care, your purchase will provide many years of service.

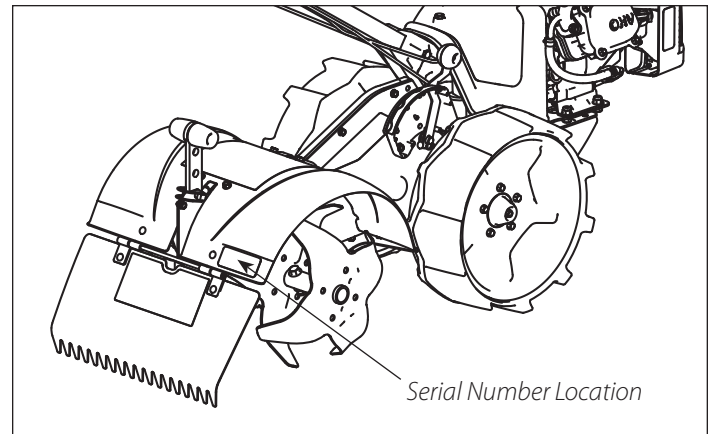
Please read this entire manual before installation and use. Earthquake® reserves the right to change, alter or improve the product and this document at any time without prior notice. Due to continuous product improvements, product images may not be exact. Some assembly may be required.

Read and keep this manual for future reference. This manual contains important information regarding safety, assembly, operation and maintenance. The owner must be certain that all the product information is included with the unit. This information includes the manual, the replacement parts and the

warranties. This information must be included to make sure state laws and other laws are followed. All persons to whom rent/loan this unit must have access to and understand this information. This manual should remain with the product even if it is resold.

## REGISTRATION & SERVICE

Record the product model number and serial number in the space provided for easy reference when ordering parts or requesting technical support. Excluding emissions-related warranty items, the warranty is valid only if the completed registration is received by Ardisam within 30 days of purchase. You can register your warranty online by visiting [www. GetEarthquake.com](http://www.GetEarthquake.com), or by mailing it to: Ardisam, 1160 8th Avenue, Cumberland, WI 54829. You may also call our Customer Service department at (800) 345-6007 Mondays through Fridays from 8 a.m. to 5 p.m. CST.



Serial Number

---

Date of Purchase

---

## WARNINGS & SAFETY PRECAUTIONS

### OWNER'S RESPONSIBILITY

Accurate assembly and safe and effective use of the machine is the owner's responsibility.

- Read and follow all safety instructions.
- Carefully follow all assembly instructions.
- Maintain the machine according to directions and schedule included in this Earthquake® operator's manual.
- Ensure that anyone who uses the machine is familiar with all controls and safety precautions.

### SPECIAL MESSAGES

Your manual contains special messages to bring attention to potential safety concerns, machine damage as well as helpful operating and servicing information. Please read all the information carefully to avoid injury and machine damage.

**NOTE:** General information is given throughout the manual that may help the operator in the operation or service of the machine.

▲ This symbol points out important safety instructions which if not followed could endanger your personal safety. Read and follow all instructions in this manual before attempting to operate this equipment.

### BEFORE OPERATING EQUIPMENT:

**PLEASE READ THIS SECTION CAREFULLY.** Read entire operating and maintenance instructions for this product. Failure to follow instructions could result in serious injury or death. Operate the machine according to the safety instructions outlined here and inserted throughout the text. Anyone who uses this machine must read the instructions and be familiar with the controls.

### INTENDED USE / FORESEEABLE MISUSE

**IMPORTANT:** This is a motorized rotary tiller that works the soil by means of rotating tines. It is pedestrian-controlled, with a gasoline-fueled internal combustion engine to power the tines. It shall not be used for any other purpose.

## ▲ DANGER

**KEEP AWAY FROM ROTATING TINES.  
ROTATING TINES WILL CAUSE INJURY.**



## NOTICE

**NOTICE INDICATES YOUR EQUIPMENT CAN BE DAMAGED IF THE SAFETY INSTRUCTIONS THAT FOLLOW THIS SIGNAL WORD ARE NOT OBEYED.**

## IMPORTANT

**IMPORTANT INDICATES HELPFUL INFORMATION FOR PROPER ASSEMBLY, OPERATION OR MAINTENANCE OF YOUR EQUIPMENT.**

## ▲ CAUTION

**▲ CAUTION INDICATES A HAZARD WHICH, IF NOT AVOIDED, COULD RESULT IN PERSONAL INJURY AND/OR PROPERTY DAMAGE.**

## ▲ WARNING

**▲ WARNING INDICATES A HAZARD WHICH, IF NOT AVOIDED, COULD RESULT IN DEATH OR SERIOUS INJURY AND/OR PROPERTY DAMAGE.**

## ▲ DANGER

**▲ DANGER INDICATES A HAZARD WHICH, IF NOT AVOIDED, CERTAINLY WILL RESULT IN DEATH OR SERIOUS INJURY AND/OR PROPERTY DAMAGE.**

## ▲ WARNING

**▲ YOU MUST READ, UNDERSTAND AND COMPLY WITH ALL SAFETY AND OPERATING INSTRUCTIONS IN THIS MANUAL BEFORE ATTEMPTING TO SETUP AND OPERATE YOUR MACHINE. FAILURE TO COMPLY WITH ALL SAFETY AND OPERATING INSTRUCTIONS CAN RESULT IN LOSS OF MACHINE CONTROL, SERIOUS PERSONAL INJURY TO YOU AND/OR BYSTANDERS, AND RISK OF EQUIPMENT AND PROPERTY DAMAGE. THE TRIANGLE IN THE TEXT SIGNIFIES IMPORTANT CAUTIONS OR WARNINGS WHICH MUST BE FOLLOWED.**

## GENERAL SAFETY RULES

- Read, understand, and follow all instructions on the machine and in the manual(s). Be thoroughly familiar with the controls and the proper use of the machine before starting. Know how to stop the machine and disengage the controls quickly.
- Use this equipment for its intended purpose only.
- Familiarize yourself with all of the safety and operating decals on this equipment and on any of its attachments or accessories.
- Do not put hands or feet near or under rotating parts.
- Only allow responsible individuals who are familiar with the instructions to operate the machine. Never allow children to operate this machine. Never allow adults to operate the machine without proper instruction.
- Thoroughly inspect the area where the machine is to be used and remove all foreign objects. Your equipment can propel small objects at high speed causing personal injury or property damage. Stay away from breakable objects, such as house windows, automobiles, greenhouses, etc.
- Keep the area of operation clear of all persons, particularly small children and pets.
- Do not operate in shorts or open toed shoes. Wear proper Personal Protective Equipment (PPE) at all times, such as gloves, proper footwear, and eye protection.
- Do not wear loose clothing or jewelry. They can get caught in moving parts. Always keep hands, feet, hair and loose clothing away from any moving parts on engine and machine.
- Always wear safety goggles or safety glasses with side shields when operating the machine to protect your eyes from foreign objects which can be thrown from the unit. Always wear a protective hearing device.
- Always wear work gloves and sturdy footwear. Wear footwear that will improve footing on slippery surfaces. Leather work shoes or short boots work well for most people. These will protect the operator's ankles and shins from small sticks, splinters, and other debris.
- Do not operate product when fatigued or under the influence of alcohol, drugs or other medication which can cause drowsiness or affect your ability to operate this machine safely.

- Temperature of muffler and nearby areas may exceed 150° F (65° C). Allow muffler and engine areas to cool before touching. Never pick up or carry the machine while the engine is running.
- Prolonged exposure to noise and vibration from gasoline engine-powered equipment should be avoided. Take intermittent breaks and/or wear ear protection from engine noise as well as heavy work gloves to reduce vibration in the hands.
- When moving the packaged machine, always do so with a partner.
- Check local regulations for age restrictions on use of this machine.
- Never attempt to make any adjustment while the engine (motor) is running (except where specifically recommended by the manufacturer).
- The tines of the tiller should not rotate when either drive control lever is released into the neutral position. If it does rotate when in neutral, contact Earthquake® Customer Service for instruction.

## ENGINE SAFETY PRECAUTIONS

*This product comes with a separate engine manual, be sure to read and follow all safety and warning precautions outlined there, in addition to any in this manual.*

### PREVENTING CARBON MONOXIDE POISONING

- Always start and run engine outdoors. Do not start or run engine in an enclosed area, even if doors or windows are open. Never try to ventilate engine exhaust indoors. Carbon monoxide can reach dangerous levels very quickly.
- Never run engine outdoors where exhaust fumes may be pulled into a building.
- Never run engine outdoors in a poorly ventilated area where the exhaust fumes may be trapped and not easily taken away. (Examples include: in a large hole or areas where hills surround your working area.)
- Never run engine in an enclosed or partially enclosed area. (Examples include: buildings that are enclosed on one or more sides, under tents, car ports or basements.)
- Always run the engine with the exhaust and muffler pointed in the direction away from the operator.

- Never point the exhaust muffler towards anyone. People should always be many feet away from the operation of the engine and its attachments.
- Do not change the engine governor settings or over-speed the engine.

## PREPARATION

- Dress appropriately when operating the tiller. Always wear sturdy footwear. Never wear sandals, sneakers or open shoes, and never operate the tiller with bare feet. Do not wear loose clothing that might get caught in moving parts. Wear proper Personal Protective Equipment (PPE) at all times, such as gloves, proper footwear, and eye protection.
- Carefully inspect the area to be tilled and remove all foreign objects. Do not till above underground water lines, gas lines, electric cables, or pipes. Do not operate the tiller in soil with large rocks and foreign objects which can damage the equipment.
- Disengage all clutches and leave control lever in the neutral position before starting the engine (motor).

## WARNING

**▲ ENGINES GIVE OFF CARBON MONOXIDE, AN ODORLESS, COLORLESS, POISONOUS GAS. CARBON MONOXIDE MAY BE PRESENT EVEN IF YOU DO NOT SMELL OR SEE ANY ENGINE EXHAUST. BREATHING CARBON MONOXIDE CAN CAUSE NAUSEA, FAINTING OR DEATH, IN ADDITION TO DROWSINESS, DIZZINESS AND CONFUSION.**

**▲ IF YOU EXPERIENCE ANY OF THESE SYMPTOMS, SEEK FRESH AIR AND MEDICAL ATTENTION IMMEDIATELY.**

**▲ HOT GASES ARE A NORMAL BY-PRODUCT OF A FUNCTIONING INTERNAL COMBUSTION ENGINE. FOLLOW ALL SAFETY INSTRUCTIONS TO PREVENT BURNS AND FIRES.**

**▲ DO NOT ALTER/MODIFY ENGINE: NEVER ALTER OR MODIFY THE ENGINE FROM THE FACTORY. SERIOUS INJURY OR DEATH MAY OCCUR IF ENGINE IS MODIFIED OR ALTERED. WHEN WORKING ON OR REPLACING PARTS FOR THE ENGINE OR PRODUCT, YOU MUST ALWAYS PUT THE ON/OFF SWITCH TO THE OFF POSITION.**

## SAFE HANDLING OF GASOLINE

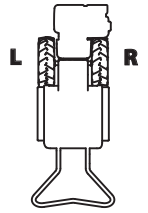
- Use extra care in handling gasoline and other fuels. They are extremely flammable and vapors are explosive.
- Extinguish all cigarettes, cigars, pipes and other sources of ignition.
- Never remove gas cap or add fuel with the engine running.
- Allow engine to cool before refueling.
- Never store the machine or fuel container where there is an open flame, spark, or pilot light such as on a water heater or on other appliances.
- Never fill containers inside a vehicle or on a truck or trailer bed with a plastic liner. Always place containers on the ground away from your vehicle before filling.
- Remove gas powered equipment from the truck or trailer and refuel it on the ground. If this is not possible, then refuel such equipment with a portable container, rather than from a gasoline dispenser nozzle.
- Keep the nozzle in contact with the rim of the fuel tank or container opening at all times until fueling is complete. Do not use a nozzle lock open device.
- If fuel is spilled on clothing, change clothing immediately.
- Never overfill fuel tank. Replace gas cap and tighten securely.
- If fuel is spilled do not attempt to start the engine but move the machine away from the area of spillage and avoid creating any source of ignition until fuel vapors have dissipated.
- Prevent fire and explosion caused by static electric discharge. Use only nonmetal, portable fuel containers approved by the Underwriter's Laboratory (U.L.) or the American Society for Testing & Materials (ASTM).
- Always fill fuel tank outside in a well ventilated area. Never fill your fuel tank with fuel indoors. (Examples include: basement, garage, barn, shed, house, porch, etc.).
- Test the fuel cap for proper installation before starting and using engine.
- Always run the engine with fuel cap properly installed on the engine.

## OPERATION

- Do not allow hands, feet, or other body parts, or clothing near the rotating tines or any other moving part. The tines begin to rotate once the engine/motor is started and the activating device is engaged. The tines may momentarily rotate after the activating device is released.
- Exercise extreme caution when crossing gravel surfaces. Stay alert for hidden hazards or traffic.
- If an object becomes lodged in the tines, flip the ON/OFF switch to the OFF position, allow to cool before attempting to remove the foreign object.
- After striking a foreign object, stop the engine (motor), remove the wire from the spark plug (or disconnect the cord for electric products), thoroughly inspect the machine for any damage, and repair the damage before restarting and operating the machine.
- Exercise caution to avoid slipping or falling.
- If the machine should start to vibrate abnormally, stop the engine (motor) and check immediately for the cause. Vibration is generally a warning sign of trouble.
- Stop the engine (motor) when leaving the operating position, before unclogging the tines, and when making any repairs, adjustments and inspections.
- Stop the engine (motor) when leaving the machine unattended.
- Before cleaning, repairing or inspecting, shut off the engine and make certain all moving parts have stopped. Disconnect the spark plug wire, and keep the wire away from the plug to prevent accidental starting. Disconnect the cord on electric motors.
- Do not operate tiller under the influence of alcohol or drugs.
- Never operate tiller without guards, covers, and hoods in place.
- Do not overload the machine capacity by attempting to till or cultivate too deep at too fast a rate.
- Never operate the machine at high transport speeds on hard or slippery surfaces.
- Never allow bystanders near the machine, especially small children.
- Use only attachments and accessories approved by the manufacturer of the machine (such as wheel weights, counterweights, and the like).
- Never operate the tiller without good visibility or light.
- Be careful when tilling in hard ground. The tines may catch in the ground and propel the tiller forward. If this occurs, let go of the handlebars and do not restrain the machine.
- Use extreme caution when reversing or pulling the machine towards you. To avoid getting pinned against a structure, ensure

## NOTICE

**THE RIGHT AND LEFT SIDES OF YOUR ROTOTILLER ARE DETERMINED FROM THE OPERATING POSITION AS YOU FACE THE DIRECTION OF FORWARD TRAVEL. ENGINE IS SHIPPED FROM FACTORY WITHOUT OIL. YOU MUST ADD ENGINE OIL BEFORE STARTING ENGINE.**



adequate distance before reversing near a wall or fence.

- Do not change the engine governor settings or over speed the engine.
- Start the engine or switch on the motor carefully according to instructions and with feet away from the tines.
- Never pick up or carry a machine while the engine (motor) is running.
- Do not operate the tiller while under the influence of alcohol or drugs.
- Powered walk-behind tiller work is strenuous. You must be in good physical condition and mentally alert. If you have any condition that might be aggravated by strenuous work, check with your doctor before operating a powered walk-behind tiller.

## MAINTENANCE AND STORAGE

- Keep machine, attachments and accessories in safe working condition.
- Check shear bolts, engine mounting bolts and other bolts at frequent intervals for proper tightness to be sure the equipment is in safe working condition.
- To prevent accidental starting, always disconnect and secure the spark plug wire from the spark plug before performing tiller maintenance.
- Pulleys and belts should be kept free of oil or other moisture for efficient operation.
- Never store equipment with gasoline in the tank inside a closed building where ignition sources are present, such as hot water and space heaters, clothes dryers and the like. Allow engine to cool before storing in any enclosure.
- Always refer to the operator's guide instructions for important details if the tiller is to be stored for an extended period. If the fuel tank has to be drained, do this outdoors. Follow manufacturer's recommendations for safe loading, unloading, transport and storage of machine.

## SAFETY DECALS

This rototiller unit has been designed and manufactured to provide you with the safety and reliability you would expect from an industry leader in outdoor power equipment manufacturing.

Although reading this manual and the safety instructions it contains will provide you with the necessary basic knowledge to operate this equipment safely and effectively, we have placed several safety labels on the tiller to remind you of this important information while you are operating the unit.

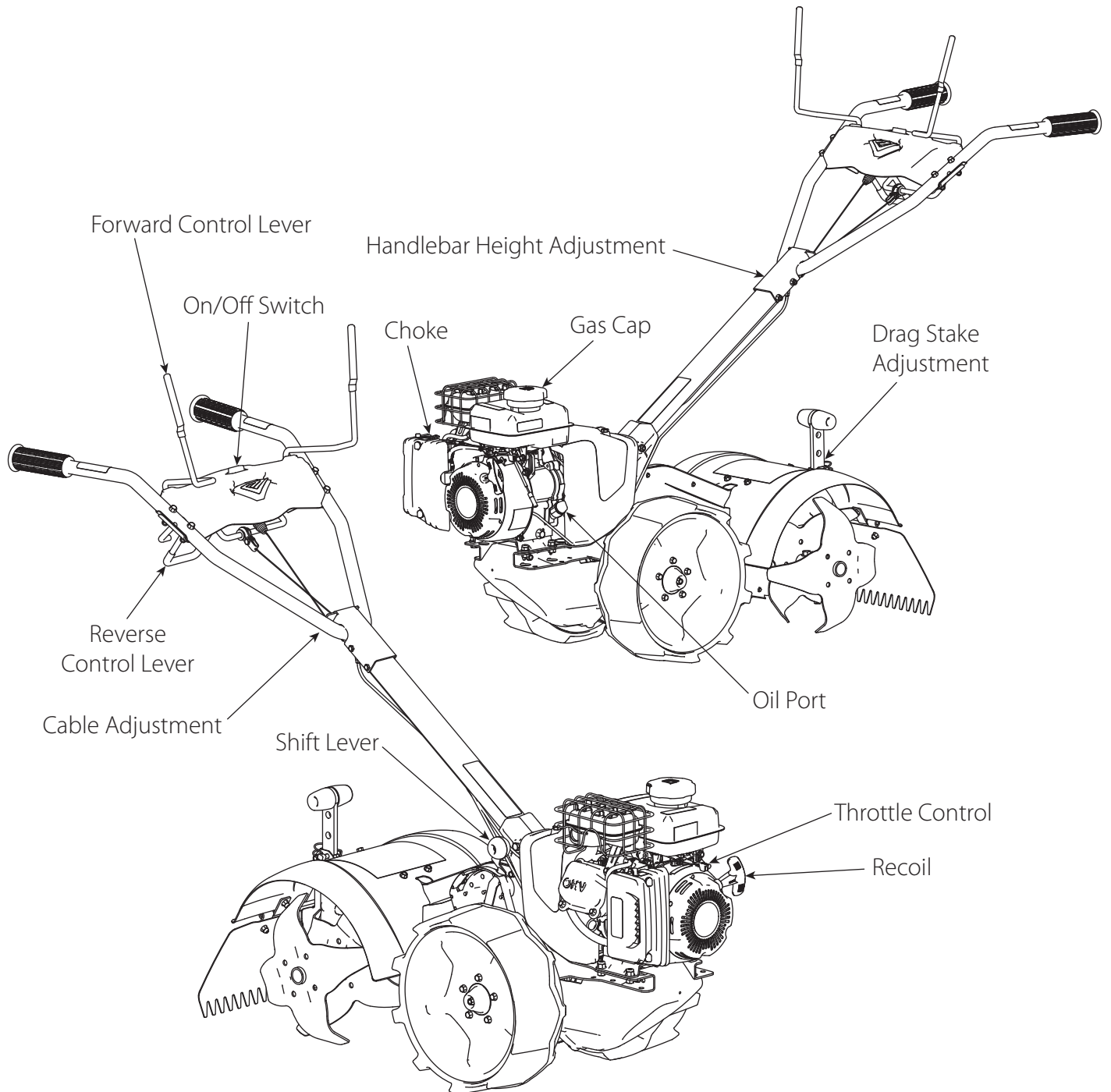
Please review these decals now, and if you have any questions regarding its meaning or how to comply with these instructions, reread the complete safety instruction text in this manual. For additional questions call Earthquake®Customer Service.

## HAZARD SYMBOLS AND MEANINGS

- A: Warning!
- B: Avoid Injury From Rotating Tines.
- C: Read Owner's Manual Before Operating Machine.
- D: Remove Objects that Could Be Thrown By This Machine.
- E: Dangerous Moving Parts.
- F: Be Aware of Moving and Rotating Parts.
- G: Wear Ear and Eye Protection At All Times.
- H: Do Not Service or Adjust Moving Parts Unless Engine is Stopped and Spark Plug Wire is Disconnected.
- I: Dress Appropriately And Wear Sturdy Footwear.
- J: Toxic Fumes—Do Not Operate in Unventilated Areas.
- K: Hot Surfaces.
- L: Fire Hazards.
- M: Do Not Use In Thunderstorms--For severe weather, stop operation of this machine and seek shelter.
- N: Team Lift--For your safety, always have at least two people when lifting this machine.
- O: Do Not Till Above Underground Utility Lines And Pipes.
- P: Do Not Operate When Children Or Others Are Around.



## FEATURES





## OPERATION

### CONTROLS:

#### TRANSMISSION DRIVE MODE SELECTOR

Pull the drive mode selector arm (shift lever) to the desired drive mode to shift the transmission. Do not shift the drive mode selector arm with the forward or reverse control lever engaged.

**DRIVE MODES:** SEE FIGURE 1

**NEUTRAL:** Wheels and tines are disengaged from engine. Use this mode for storage and non-powered transportation.

**CRT:** Wheels and tines are engaged with engine. Tines spin in the opposite direction of wheels. Use this mode when breaking new ground or tilling in compacted soil conditions.

**DRIVE:** Wheels are engaged with engine. Tines are disengaged with engine. Use this mode for powered transportation when driving up steep inclines.

**SRT:** Wheels and tines are engaged with engine. Tines spin in the same direction as wheels. Use this mode for established garden beds and tilling in soft soil conditions. Use this mode when tilling with a hiller furrower accessory to create hill and trenches.

**DRIVE CONTROL LEVERS:** SEE FIGURE 2

**FORWARD:** Pull down on the forward lever to engage the transmission in the FORWARD direction. Release the forward lever to disengage the transmission to stop.

**REVERSE:** Pull up on the reverse lever to engage the transmission in the REVERSE direction. Release the reverse lever to disengage the transmission to stop.

**NOTE:** Never attempt to engage the forward and reverse levers at the same time.

#### HANDLEBAR HEIGHT ADJUSTMENT

The handlebar can be adjusted to three height positions to accommodate varying user heights. During normal tilling operation the actual handlebar position will drop about ten (10) inches from normal height, therefore keep this in mind when adjusting the handlebar height position. To change height position, remove the hardware from the handlebar assembly and rotate to match the holes at the desired position.

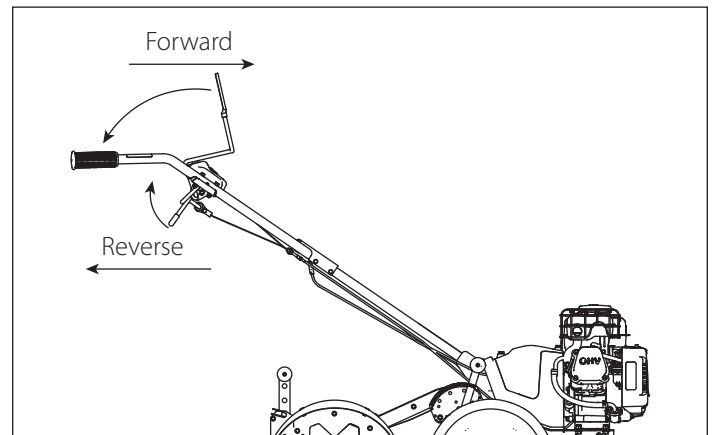


Figure 2

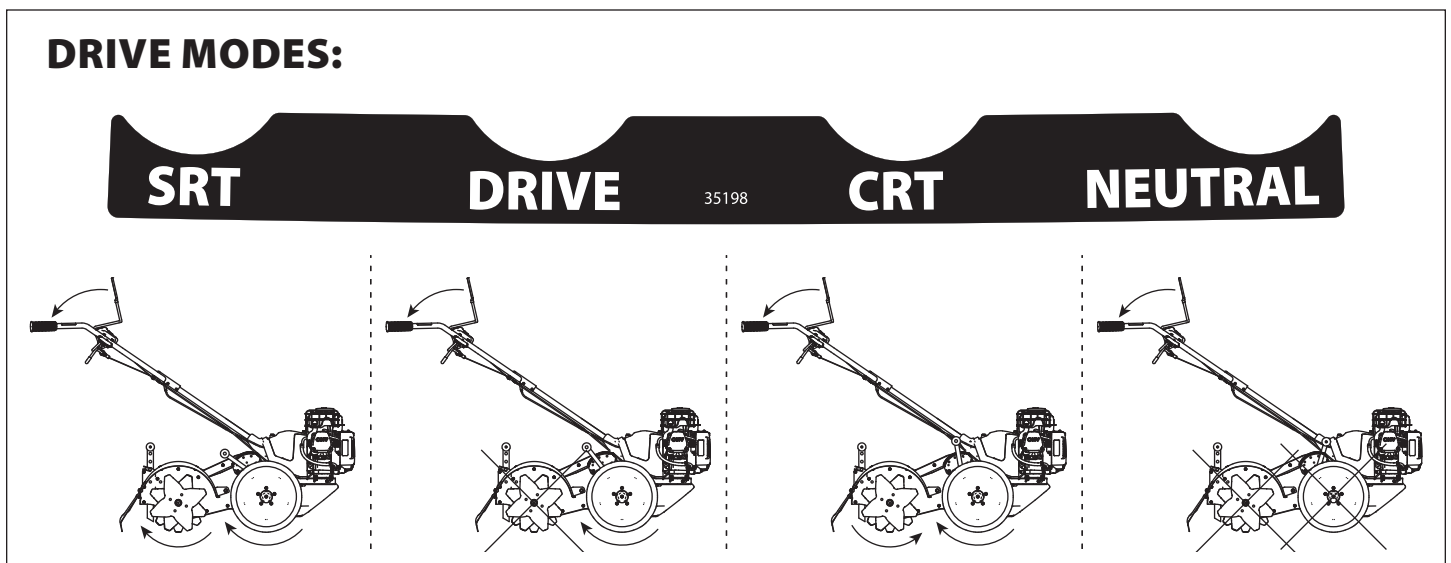


Figure 1

**HEIGHT POSITIONS:** SEE FIGURE 3

**LOW:** Install handlebar assembly using holes B & C.

**MIDDLE:** Install handlebar assembly using holes C & D.

**HIGH:** Install handlebar assembly using holes A & D.

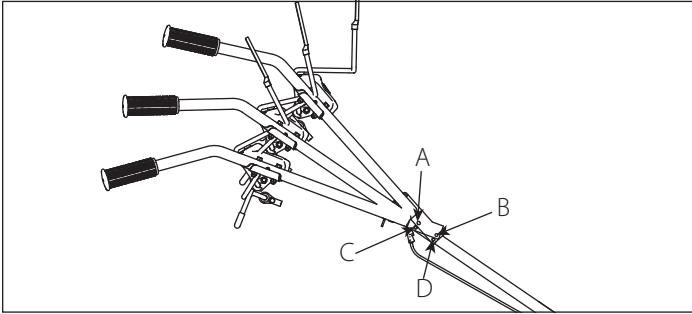


Figure 3

**DRAG STAKE:** SEE FIGURE 4

**CRT:** In CRT (counter-rotating tines) the drag stake limits the depth of cut, therefore the lower the drag stake, the less depth of till. If the drag stake is placed in the upper most position, the depth of cut will be deepest.

**SRT:** In SRT (standard (forward)-rotating tines) the drag stake is a speed limiter. The lower the drag stake, the slower the machine will propel itself forward. Therefore, if the machine lurches or moves forward faster than desired, lower the drag stake.

**TRANSPORT:** Raise drag stake all the way when transporting tiller.

**BELT TENSION ADJUSTMENT**

Proper belt tension is critical to good performance. A properly tensioned belt ensures that the belt will be fully engaged and won't slip or squeal. Also, exposed cables between the engagement levers and the handlebar tube will not sag. After 1/2 hour of operation, both cables may need to be adjusted due to initial belt stretch. After initial adjustment, check the tension every ten (10) hours of operation, and after long term storage.

To increase forward belt tension, do as follows:

1. Loosen upper jam nut at handlebar assembly. SEE FIGURE 5
2. Tighten the lower jam nut in 1/8 inch increments until the beehive spring stretches 3/16" (5mm) longer when the forward engagement lever is fully engaged.

Reverse belt tension adjustment: If the reverse function ceases to operate, adjust the jam nuts on the reverse cable one turn at a time until reverse function works.

**NOTE:** This procedure can be repeated until no more adjustments can be made. If fully adjusted and belt tension is not satisfactory, the belt may need to be replaced.

**PRE-START INSPECTION:**

1. Make sure all safety guards are in place and all hardware is secure.
2. Check oil level in engine crankcase. Refer to engine manual for proper procedure.
3. Inspect air cleaner for cleanliness. Refer to engine manual for proper procedure.
4. Check fuel supply. Refer to engine manual for proper procedure and fuel recommendations.
5. Examine underneath and around engine for signs of oil or fuel leaks.
6. Inspect fuel hoses for tightness and leaks.
7. Inspect for signs of engine damage.
8. Remove excessive debris from muffler area and recoil starter.
9. Turn fuel shutoff valve to the ON position if equipped. Refer to engine manual for procedure.
10. Check that spark plug is securely installed, and spark plug wire is attached.

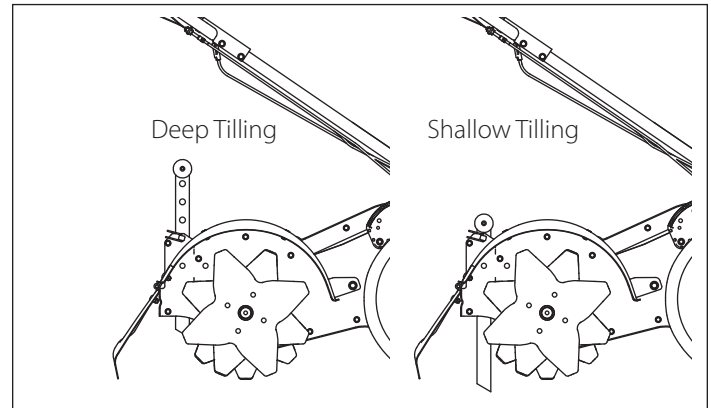


Figure 4

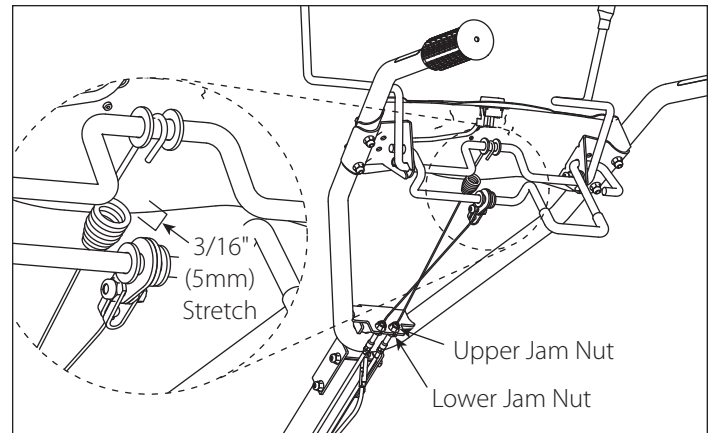


Figure 5

**START-UP:**

The controls required to start the engine (choke lever, throttle lever, recoil starting rope, and ON/OFF switch) are located on the engine and handlebar. Refer to engine manual for choke lever, throttle lever, and recoil starting rope locations and proper starting positions. The ON/OFF switch is located on the handlebar dash panel at the user position. SEE FEATURES ON PAGE 8

**COLD STARTS**

1. Turn ON/OFF switch to the ON position.
2. Move choke lever to CHOKE position.
3. Move throttle lever to half-way between SLOW and FAST.
4. Pull recoil starting rope out slowly one time and allow to return normally.
5. Pull recoil starting rope out rapidly and allow rope to return normally.
  - a. Repeat until engine starts.
6. When engine starts, gradually move choke lever to RUN position and move throttle lever to FAST position.

**RESTARTING A WARM ENGINE**

Restarting an engine that is already warm from previous operation does not normally require use of the choke.

1. Turn ON/OFF switch to the ON position.
2. Move throttle lever to half-way between SLOW and FAST.
3. Pull recoil starting rope out rapidly and allow rope to return normally.
  - a. Repeat until engine starts.
4. When engine starts, move throttle lever to FAST position.

**IDLE SPEED**

Use the SLOW position or a position between SLOW and FAST on the throttle lever to reduce stress on the engine when tilling is not being performed. Lowering the engine speed to idle will help

extend the life of the engine, as well as conserve fuel and reduce the noise level of the tiller.

**OPERATING SPEED**

For tilling, set the throttle lever at anywhere from 'half-way' to 'fast' throttle position.

**SHUTTING DOWN:**

To stop the engine at any time, move the ON/OFF switch to the OFF position. To stop wheels and tines at any time, release the drive control levers to the NEUTRAL position.

**TILLING:**

1. Set the drag stake to the desired tilling depth.
2. Start the engine and set the throttle lever to the FAST position.
3. Select the desired drive mode.
4. Engage the forward lever to start tilling.

**TILLING TIPS**

The key to successful tilling is to begin with a shallow cut on the first pass, and then work an inch or two deeper on each successive path to the desired depth. Plant rows 20-22 inches apart to allow for ease of turning at the end of each row.

**CRT** (Counter Rotating Tines - Tines rotate backward)

- When tilling in unbroken soil, compacted soil, or extremely dense soil, use the CRT drive mode.

**SRT** (Standard Rotating Tines - Tines rotate forward)

- When tilling in an established garden bed or in soft soil, use the SRT drive mode.
- In SRT, the drag stake is used as a speed control. The deeper the drag stake, the slower the tiller will move forward.
- If tiller jumps or skids uncontrollably, lower the drag stake.

Maintenance Operation	Page	Before Each Use	10 Hours	Every Season	50 Hours
Check/adjust belt tension	10		X	X	
Replace belts	12-13				X
Lubricate moving parts	14		X		
Clean tine shaft	14	X			
Clean wheel shaft	14	X			
Engine maintenance	n/a	Refer to engine manual			

Figure 6

- Hold firmly to handlebars to control sudden lurches.
- In SRT mode lifting up on the handlebars slows the unit down.
- If drag stake adjustment does not solve control issues, change to CRT mode.

## **TRANSPORTATION:**

To easily transport the rototiller, the DRIVE mode is included to allow for engine-assisted wheel transport without engaging the tines. This allows the tiller to be moved to and from your garden without damaging plants, grass, sidewalks, driveways, etc. To engage the tiller in DRIVE mode, simply move the shift lever to the DRIVE mode position and use the forward and reverse control levers to maneuver the tiller.

## **MAINTENANCE**

### **MAINTENANCE SCHEDULE:**

Your rototiller has been designed and produced to provide you years of reliable operation. Keeping your tiller in top running condition will prolong its life and help you obtain optimum performance. Please read this normal care schedule and note the recommended maintenance operations to extend the life of your unit.

Refer to the maintenance schedule (FIGURE 6) for normal tilling operation. If you operate your tiller under unusual conditions, such as sustained high-load or high-temperature operation, or use in usually wet or dusty conditions, consult your servicing dealer for recommendations to suit your individual needs.

To help you properly care for your tiller, the following pages include routine inspection and maintenance procedures using basic hand tools. Other service tasks that are more difficult or require special tools are best handled by professionals and are normally performed by a technician or qualified mechanic. View all Repair Centers in your area using our location finder: [getearthquake.com/Locations/ServiceCenter](http://getearthquake.com/Locations/ServiceCenter)

**NOTE:** Refer to the engine manual included with your tiller for engine maintenance schedule.

### **SERVICING THE ROTOTILLER:**

The following information will help you make the necessary checks and perform the procedures required to follow the normal care recommendations for your unit. If you prefer, your local authorized dealer can make these checks and perform the required procedures for you.

## **BELT MAINTENANCE:**

### **CHECK BELT TENSION**

Belt tension may decrease over time. It may need to be adjusted within the first half hour of operation and should be checked after every ten hours of operation. Proper adjustment will assure long belt life. Too much or too little belt tension will cause premature belt failure.

An indication that the belt may need to be adjusted can be heard as a continuous squealing sound when the engagement lever is used, or the belt slips and the wheels and tines won't turn. If the belt requires adjustment, refer to the Belt Tension Adjustment instructions on page 10.

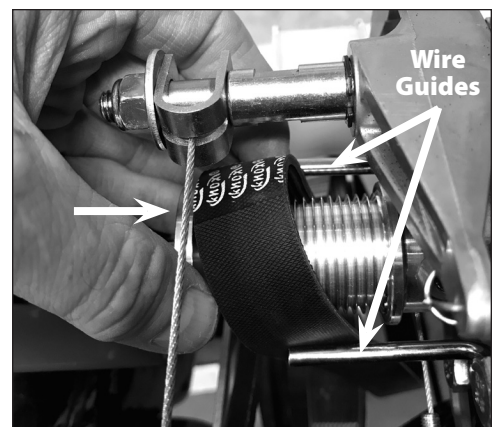
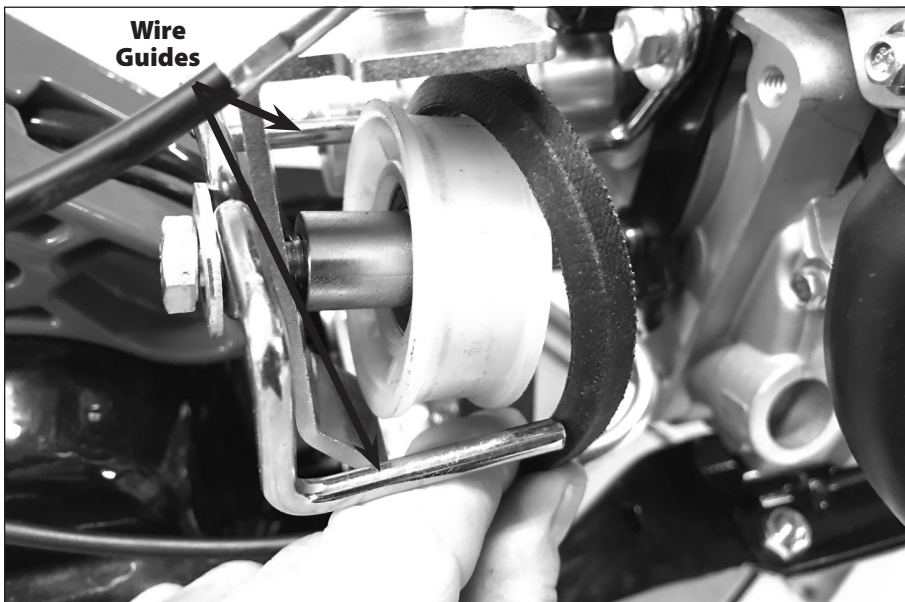
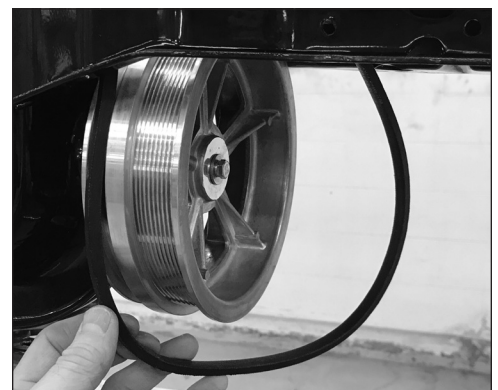
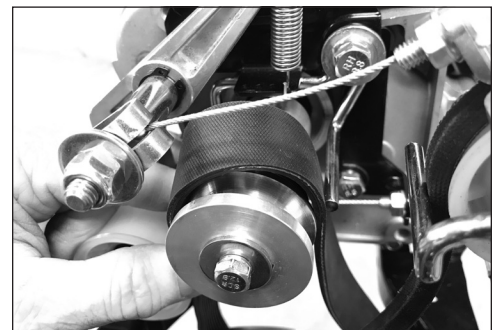
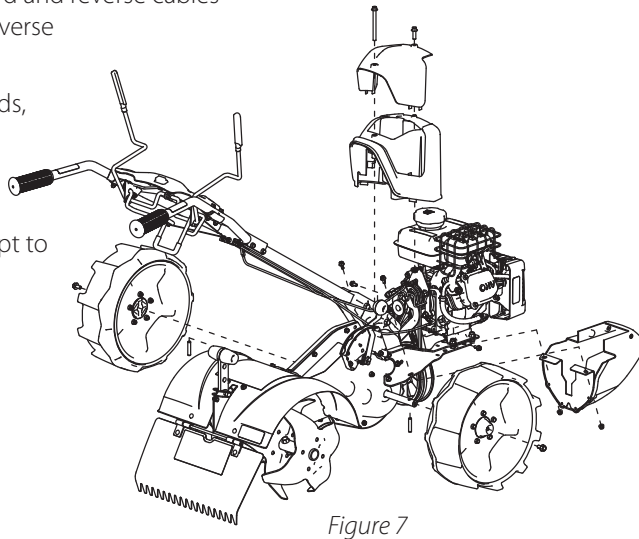
## **REPLACING FORWARD AND REVERSE BELTS**

### **REMOVING FORWARD/REVERSE BELTS**

1. Turn off engine. Engine must be cool prior to performing maintenance tasks.
2. Remove spark plug wire and secure from spark plug.
3. Shift transmission into NEUTRAL position.
4. Remove wheels, upper pulley shrouds, and lower pulley guards. SEE FIGURE 7
5. Detach forward and reverse cables from drive control levers.
6. Pull reverse arm away from engine pulley. Loosen the reverse idler pulley from the reverse arm enough to free up the reverse belt for removal using two 13mm wrenches. SEE FIGURE 8
7. Gently rotate the transmission pulley and force the forward belt out of the forward groove and away from pulley. SEE FIGURE 9
8. Push up on forward belt and pull off and away from engine pulley. SEE FIGURE 10
9. Remove reverse belt from transmission pulley. SEE FIGURE 11

## INSTALLING FORWARD/REVERSE BELTS

1. Place reverse belt around transmission pulley in reverse groove. SEE FIGURE 11
  2. Place forward belt around engine pulley in forward groove between the wire guides. SEE FIGURE 12
  3. Gently rotate transmission pulley and force the forward belt into the forward groove. SEE FIGURE 9
  4. Slide reverse belt onto reverse arm idler pulley between wire guides and rest against engine pulley reverse groove. SEE FIGURE 8
  5. Tighten the reverse idler pulley with two 13mm wrenches so the wire guides don't touch the belt when the reverse drive lever is engaged.
  6. Reconnect the forward and reverse cables to the forward and reverse drive control levers.
  7. Reinstall upper shrouds, lower pulley guards, and wheels. SEE FIGURE 7
- NOTE:** Do not attempt to install wheels before installing lower pulley guard.
8. Attach spark plug wire.



## LUBRICATION:

Proper lubrication of moving mechanical parts is critical for proper care and maintenance. Oil the following moving parts at 10 hour intervals using a white lithium grease:

1. Forward and reverse arm assemblies.
2. Forward and reverse engagement levers.
3. Forward and reverse cables.

## CLEAN TINE SHAFT:

1. Turn off engine. Engine must be cool.
2. Remove spark plug wire and secure from spark plug.
3. Tip the tiller towards the engine and block it in position so that it rests on the lower pulley guard and the tines are exposed.
4. Remove all vegetation, string, wire, and other foreign material that may have accumulated on the axle between the tines and transmission housing.
  - a. It may be helpful to remove tines to ensure all debris is cleared for optimal performance.
  - b. To remove tines, loosen and remove bolt and nut on tine shaft and slide tines off.
5. Tip the tiller back to a level position.

## CLEAN WHEEL SHAFT:

1. Turn off engine. Engine must be cool.
2. Remove spark plug wire and secure from spark plug.
3. Remove all vegetation, string, wire, and other foreign material that may have accumulated on the axles between the wheels and transmission housing.
  - a. It may be helpful to remove wheels to ensure all debris is cleared for optimal performance.
  - b. To remove wheels, loosen bolt on wheel shaft and slide wheels off, making sure not to lose the wheel pin on the shaft.
  - c. If wheels are difficult to remove, thread a 25mm length (or longer) M10x1.5 bolt into the wheel hub and rotate clockwise until the wheel releases from the shaft.  
SEE FIGURE 13
4. Tip the tiller back to a level position.

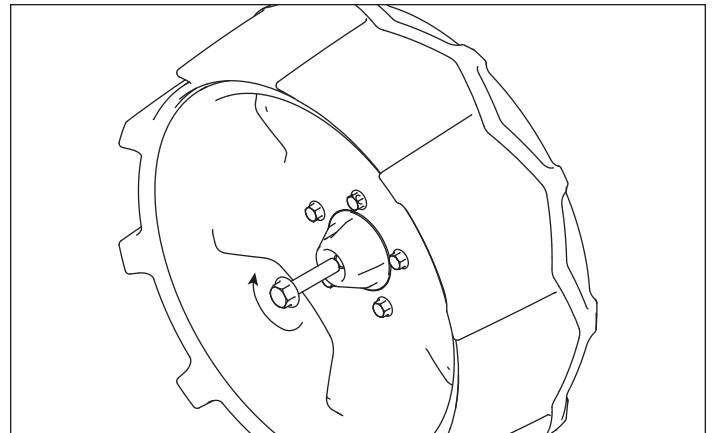


Figure 13

## ENGINE MAINTENANCE

Refer to the engine manual included for information on engine maintenance. Your engine manual provides information and a maintenance schedule specific to your engine.

### PERFORM THE FOLLOWING TASKS

1. Always check oil level before starting engine. Refer to engine manual for capacity and type of oil to use.
2. Change oil after first 5-8 hours of operation. Change oil while engine is warm. Refill with new oil of recommended grade.
3. Check spark plug yearly or every 50 hours of operation.
4. Service air cleaner after use in dusty or extreme conditions.
5. Keep engine and parts clean.
6. Check engine and equipment often for loose nuts and bolts; keep these items tightened.

## STORAGE

### PREPARE FOR STORAGE

Follow the steps below to prepare your tiller for storage. Read your engine manual for detailed instructions on preparing the engine for storage.

### TO PREPARE YOUR TILLER FOR STORAGE:

1. Protect shafts from rust:
  - a. Remove tines from their shafts.
  - b. Coat the shafts lightly with axle grease.
  - c. Replace tines and secure.

2. Drain fuel system completely, following engine manufacturer's instructions, or add fuel stabilizer to prevent fuel from gumming up during extended storage period.
3. While engine is still warm, drain the oil from the engine. Refill with fresh oil of the recommended grade.
4. Clean all external surfaces of tiller and engine, including cooling fins and cooling fan.
5. Spark plug preparation.
  - a. Remove spark plug, pour one ounce of SAE 10W30 oil into spark plug hole.
  - b. Plug hole and pull recoil rope slowly to distribute oil evenly in cylinder head area.
  - c. Reinstall spark plug.
6. Transport unit to a suitable storage location. If you have chosen to use a fuel stabilizer and have not drained the fuel system, follow all safety instructions and storage precautions in this manual and your engine manual to prevent the possibility of fire from the ignition of gasoline fumes. Remember, gasoline fumes can travel to distant sources of ignitions and ignite, causing risk of explosion and fire.
7. Once the tiller is in the storage location, shift the transmission into the SRT position.
8. If there is any possibility of unauthorized use or tampering, remove the spark plug and store it in a safe place before storing the tiller. Be sure to plug the spark plug hole to prevent foreign material from entering the engine.

## TROUBLESHOOTING AND REPAIR

### TROUBLESHOOTING GUIDE:

While normal care and routine maintenance will extend the life of your rototiller, prolonged or constant use may eventually require that service be performed to allow it to continue operating properly. The troubleshooting guide below lists the most common problems, causes and remedies.

<b>PROBLEM</b>	<b>REMEDY / ACTION</b>
Engine will not start	<ul style="list-style-type: none"> <li>• Add gas to gas tank</li> <li>• Connect spark plug wire to spark plug</li> <li>• Throttle must be positioned at choke for cold start</li> </ul>
Engine runs rough, floods during operation	<ul style="list-style-type: none"> <li>• Clean or replace air cleaner</li> </ul>
Engine is hard to start	<ul style="list-style-type: none"> <li>• Drain old fuel and replace with fresh. Use fuel stabilizer at the end of the season</li> <li>• Make sure spark plug wire is securely attached to spark plug</li> <li>• Drive control levers must be released to neutral positions to start the engine</li> </ul>
Engine misses or lacks power	<ul style="list-style-type: none"> <li>• Raise the tines for shallow tilling by lowering the drag stake</li> <li>• Remove and clean fuel tank</li> <li>• Clean or replace air filter</li> <li>• Clean carburetor jet</li> <li>• Replace spark plug and adjust gap</li> <li>• Drain and refill gas tank and carburetor</li> </ul>
Tiller moves forward or backward during starting	<ul style="list-style-type: none"> <li>• Drive control levers must be released to disengaged position to start the engine</li> <li>• Transmission should be set to neutral position to start the engine</li> </ul>
Tiller is difficult to control when tilling (machine jumps or lurches forward)	<ul style="list-style-type: none"> <li>• Raise tines for shallower tilling by lowering the drag stake lever</li> <li>• Shift to CRT mode</li> </ul>
Tines turn, wheels turn, tiller does not move	<ul style="list-style-type: none"> <li>• Raise the tines for shallower tilling by lowering the drag stake lever</li> <li>• Lift slightly on handlebars to allow wheels to gain traction</li> <li>• Shift to SRT mode</li> </ul>
Belt(s) squeal when not engaged	<ul style="list-style-type: none"> <li>• Check and adjust belt tension</li> <li>• Adjust belt guides</li> </ul>
Excessive heat build-up in transmission and tine area during tilling	<ul style="list-style-type: none"> <li>• Remove vegetation and debris by following instructions in CLEAN TINE SHAFT of Maintenance section of this manual</li> </ul>
Wheels cannot be removed from shaft	<ul style="list-style-type: none"> <li>• Remove wheels by following instructions in CLEAN WHEEL SHAFT of Maintenance section of this manual</li> </ul>





## ACTIVEZ LA GARANTIE AVANT UTILISATION

Tous les produits doivent être enregistrés dans les 30 jours à compter de la date d'achat pour être couverts par la garantie. Pour plus d'information sur la garantie et l'enregistrement, veuillez consulter les modalités et conditions de la garantie et de l'enregistrement figurant dans l'encart de garantie.

## TABLE DES MATIÈRES

Introduction / Sommaire . . . . .	17
Avertissements et mesures de précaution . . . . .	18-22
Caractéristiques. . . . .	23
Utilisation . . . . .	24-27
Entretien et entreposage. . . . .	27-30
Dépannage et réparation . . . . .	31
Assemblage . . . . .	Document externe

## INTRODUCTION

Merci d'avoir acheté ce produit Earthquake®. Nous nous sommes attachés à ce que ce produit réponde aux plus hautes normes d'utilisation et de durabilité. Moyennant des soins corrects, votre achat offrira de nombreuses années de service fiable.

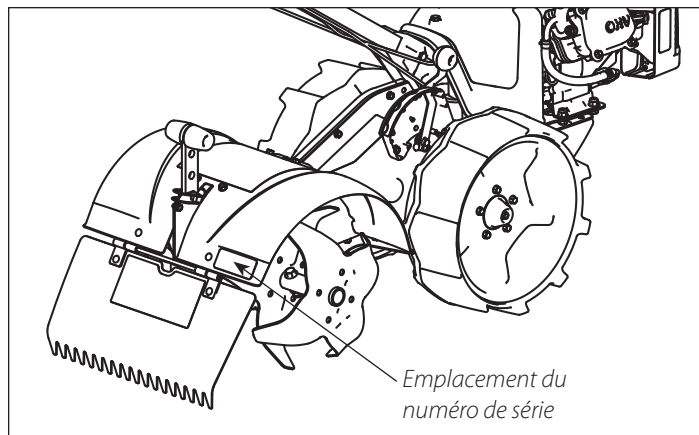
Veuillez lire ce manuel en entier avant de l'installer et de l'utiliser. Earthquake® se réserve le droit de changer, modifier ou améliorer ce produit et cette documentation à tout moment sans préavis. En raison des constantes améliorations de nos produits, les représentations du produit peuvent être inexactes. Un certain assemblage peut être requis.

Veuillez lire ce manuel et le conserver pour toute consultation ultérieure. Ce manuel contient des renseignements importants concernant la sécurité, l'assemblage, l'utilisation et l'entretien. Le propriétaire doit veiller à ce que toute la documentation sur le produit soit fournie avec l'appareil. Cette documentation comprend le manuel, la liste des pièces de rechange et les garanties. Cette

documentation doit être fournie en vertu de la réglementation en vigueur. Toutes les personnes à qui cette machine est louée ou prêtée doivent avoir accès à ces informations et les comprendre. Le présent manuel doit rester avec le produit, notamment s'il est revendu.

## ENREGISTREMENT ET SERVICE APRÈS-VENTE

Consigner le numéro de modèle et le numéro de série du produit dans l'espace prévu pour y accéder facilement lors des commandes de pièces détachées ou des demandes d'assistance technique. À l'exception des articles couverts par la garantie sur le contrôle des émissions, la garantie est valable uniquement si l'enregistrement dûment rempli est reçu par Ardisam dans les 30 jours après l'achat. L'enregistrement de la garantie peut se faire en ligne à [www.GetEarthquake.com](http://www.GetEarthquake.com) ou par courrier à : Ardisam, 1160 8th Avenue, Cumberland, WI 54829, États-Unis. Il est aussi possible d'appeler notre Service après-vente au (800) 345-6007 du lundi au vendredi de 8h00 à 17h00 HNC.



Numéro de série

---

Date d'achat

---

## AVERTISSEMENTS ET MESURES DE PRÉCAUTION

### RESPONSABILITÉ DU PROPRIÉTAIRE

L'assemblage correct et l'utilisation sûre et efficace de la machine relèvent de la responsabilité de l'utilisateur.

- Lire et respecter toutes les instructions de sécurité.
- Suivre avec attention toutes les instructions d'assemblage.
- Entretien de la machine conformément aux instructions et au calendrier figurant dans le manuel de l'utilisateur Earthquake®.
- S'assurer que quiconque utilise la machine est bien familiarisé avec toutes les commandes et mesures de précaution.

### MESSAGES SPÉCIAUX

Ce manuel contient des messages spéciaux attirant l'attention sur des problèmes de sécurité et dommages potentiels à la machine, ainsi que des informations utiles sur l'utilisation et l'entretien. Veiller à lire toutes ces informations avec attention pour éviter les blessures et les dommages à la machine.

**REMARQUE :** Des informations générales sont fournies à travers ce manuel pouvant aider l'opérateur dans l'utilisation ou l'entretien de la machine.

⚠ Ce symbole signale des instructions de sécurité importantes qui doivent être respectées pour ne pas mettre en danger la sécurité des personnes. Lire et respecter toutes les instructions du manuel avant de tenter de faire fonctionner ce matériel.

### AVANT D'UTILISER LA MACHINE :

**VEILLER À LIRE CETTE SECTION AVEC ATTENTION.** Lire l'ensemble des instructions d'utilisation et d'entretien de ce produit. Tout manquement à respecter ces instructions peut entraîner des blessures graves ou la mort. Utiliser la machine conformément aux instructions de sécurité fournies ici et tout au long du manuel. Quiconque utilise cette machine doit lire les instructions et être familiarisé avec les commandes.

### EMPLOI PRÉVU / EMPLOI DÉTOURNÉ PRÉVISIBLE

**IMPORTANT :** Ceci est un motoculteur rotatif qui travaille le sol au moyen de fraises en rotation. Il est conçu pour un utilisateur à pied, avec un moteur à combustion interne à essence pour entraîner les fraises. Il ne doit être utilisé à aucune autre fin.

## ⚠ DANGER

**RESTER À L'ÉCART DES FRAISES EN ROTATION. LES FRAISES EN ROTATION PROVOQUENT DES BLESSURES.**



## AVIS

**AVIS INDIQUE QUE LE MATÉRIEL PEUT ÊTRE ENDOMMAGÉ SI LES INSTRUCTIONS DE SÉCURITÉ QUI SUIVENT CE MOT-INDICATEUR NE SONT PAS RESPECTÉES.**

## IMPORTANT

**IMPORTANT SIGNALE DES INFORMATIONS UTILES CONCERNANT L'ASSEMBLAGE, L'UTILISATION OU L'ENTRETIEN DU MATÉRIEL.**

## ⚠ ATTENTION

**⚠ ATTENTION INDIQUE UN DANGER QUI, S'IL N'EST PAS ÉVITÉ, PEUT PROVOQUER DES BLESSURES CORPORELLES ET DES DÉGÂTS MATÉRIELS.**

## ⚠ AVERTISSEMENT

**⚠ AVERTISSEMENT INDIQUE UN DANGER QUI, S'IL N'EST PAS ÉVITÉ, PEUT PROVOQUER LA MORT OU DES BLESSURES CORPORELLES ET DÉGÂTS MATÉRIELS GRAVES.**

## ⚠ DANGER

**⚠ DANGER INDIQUE UN DANGER QUI, S'IL N'EST PAS ÉVITÉ, PROVOQUERA IMMANQUABLEMENT LA MORT OU DES BLESSURES CORPORELLES ET DES DÉGÂTS MATÉRIELS GRAVES.**

## ⚠ AVERTISSEMENT

**⚠ VEILLER À LIRE, À COMPRENDRE ET À RESPECTER TOUTES LES INSTRUCTIONS DE SÉCURITÉ ET D'UTILISATION FIGURANT DANS CE MANUEL AVANT DE TENTER D'INSTALLER ET DE FAIRE FONCTIONNER LA MACHINE. TOUT MANQUEMENT À OBSERVER LES INSTRUCTIONS DE SÉCURITÉ ET D'UTILISATION PEUT PROVOQUER DES BLESSURES CORPORELLES GRAVES POUR L'UTILISATEUR ET D'AUTRES PERSONNES PRÉSENTES ET DES DÉGÂTS MATÉRIELS. LE TRIANGLE DANS LE TEXTE INDIQUE DES MISES EN GARDES ET AVERTISSEMENTS IMPORTANTS QUI DOIVENT ÊTRE SUIVIS.**

## CONSIGNES GÉNÉRALES DE SÉCURITÉ

- Lire, comprendre et respecter toutes les instructions figurant sur la machine et dans le(s) manuel(s). Veiller à bien se familiariser avec les commandes et la bonne utilisation de la machine avant de la démarrer. Veiller à savoir comment arrêter la machine et débrayer les commandes rapidement.
- Utiliser ce matériel exclusivement aux fins prévues.
- Veiller à se familiariser avec tous les autocollants de sécurité et d'exploitation apposés sur ce matériel et sur tous ses outils ou accessoires.
- Ne pas placer les mains ni les pieds sous ou à proximité d'une pièce en rotation.
- Permettre l'utilisation de la machine uniquement à des personnes responsables familiarisées avec les instructions. Ne jamais laisser d'enfant utiliser cette machine. Ne jamais laisser d'adulte utiliser cette machine sans instruction appropriée.
- Examiner avec soin la zone où la machine doit être utilisée et éliminer tous les objets étrangers. Ce matériel peut projeter violemment de petits objets et provoquer des dégâts matériels ou des blessures graves. Rester à l'écart des objets fragiles tels que les fenêtres de maison, automobiles, serres, etc.
- Tenir toutes les personnes présentes à l'écart de la zone de travail, en particulier les jeunes enfants et les animaux.
- Ne pas porter de shorts ou de chaussures à bout ouvert pour utiliser la machine. Porter un équipement de protection individuelle (EPI) approprié en tout temps, tel que gants, chaussures adaptées et protection oculaire.
- Ne pas porter de vêtements flottants ni de bijoux. Ils peuvent être happés par les pièces en mouvement. Toujours tenir les mains, les pieds, les cheveux et les vêtements amples à l'écart de toute pièce en mouvement du moteur et de la machine.
- Toujours porter des lunettes à coques ou des lunettes de sécurité à écrans latéraux durant l'utilisation de la machine pour protéger les yeux des objets étrangers susceptibles d'être projetés par la machine. Toujours porter une protection auditive.
- Toujours porter des gants de travail et des chaussures robustes. Porter des chaussures offrant une bonne adhérence sur les surfaces glissantes. Les chaussures de chantier ou bottines en cuir conviennent généralement bien. Elles protègent les chevilles et les tibias de l'utilisateur contre les petits bouts de bois, échardes et autres débris.
- Ne pas utiliser ce produit alors qu'on est fatigué ou sous l'emprise de l'alcool, de drogues ou de médicaments susceptibles de provoquer une somnolence ou d'altérer la capacité à utiliser la machine en toute sécurité.

- La température du silencieux et des zones avoisinantes peut dépasser 65 °C (150 °F). Laisser le silencieux et les surfaces du moteur refroidir avant de les toucher. Ne jamais soulever ni porter la machine avec le moteur en marche.
- L'exposition prolongée au bruit et aux vibrations produits par du matériel à moteur à essence doit être évitée. Faire des pauses intermittentes et/ou porter une protection auditive contre le bruit du moteur, ainsi que des gants de travail épais pour réduire les vibrations dans les mains.
- Toujours déplacer une machine emballée avec l'aide d'une autre personne.
- Consulter la réglementation en vigueur concernant les restrictions d'âge pour l'utilisation de cette machine.
- Ne jamais tenter d'effectuer de réglage avec le moteur en marche (sauf si cela est spécifiquement recommandé par le fabricant).
- Les fraises du motoculteur ne doivent pas tourner lorsque le levier de commande d'entraînement est relâché en position neutre. Si elles tournent en position neutre, obtenir des instructions auprès du service après-vente Earthquake®.

## MESURES DE PRÉCAUTIONS CONCERNANT LE MOTEUR

*Ce produit est fourni avec un manuel séparé pour le moteur, veiller à bien le lire et à suivre toutes les mises en garde et mesures de précaution qu'il contient, en plus de celles de ce manuel.*

### POUR ÉVITER L'INTOXICATION AU MONOXYDE DE CARBONE

- Toujours démarrer et faire tourner le moteur à l'extérieur. Ne pas démarrer ni faire tourner le moteur dans un espace fermé, même avec des portes ou des fenêtres ouvertes. Ne jamais essayer de ventiler l'échappement du moteur à l'intérieur. Le monoxyde de carbone peut atteindre des niveaux dangereux très rapidement.
- Ne jamais faire fonctionner le moteur à l'extérieur à un endroit où les gaz d'échappement peuvent être aspirés dans un bâtiment.
- Ne jamais faire fonctionner le moteur à l'extérieur dans un endroit mal aéré où les gaz d'échappement peuvent être piégés et difficiles à dissiper (exemples : fond de fouille ou aires de travail entourées de collines).
- Ne jamais faire fonctionner le moteur dans un endroit fermé ou partiellement fermé (exemples : bâtiments fermés sur un ou plusieurs côtés, sous une tente, abri à voiture ou sous-sol).
- Toujours faire fonctionner le moteur avec l'échappement et le silencieux pointés dans la direction opposée à l'utilisateur.

• Ne jamais diriger le silencieux d'échappement vers quiconque. Les personnes présentes doivent toujours se tenir à plusieurs mètres de distance du moteur en marche et de ses accessoires.

• Ne pas modifier les réglages du régulateur de moteur ni faire tourner le moteur en surrégime.

## PRÉPARATION

• Porter une tenue adaptée à l'utilisation du motoculteur. Toujours porter des chaussures robustes. Ne jamais porter de sandales, de chaussures de sport ni de chaussures ouvertes et ne jamais utiliser le motoculteur pieds nus. Ne pas porter de vêtements amples susceptibles d'être happés dans les pièces en mouvement. Porter un équipement de protection individuelle (EPI) approprié en tout temps, tel que gants, chaussures adaptées et protection oculaire.

• Contrôler avec soin la surface à biner et éliminer tous les objets étrangers. Ne pas travailler le sol au-dessus de conduites d'eau, conduites de gaz, câbles électriques ou autres tuyauteries souterraines. Ne pas utiliser le motoculteur dans un sol contenant de grosses roches et autres objets étrangers susceptibles d'endommager le matériel.

• Désengager tous les embrayages et laisser tous les leviers de commande en position neutre avant de démarrer le moteur.

## AVERTISSEMENT

**▲ LES MOTEURS DÉGAGENT DU MONOXYDE DE CARBONE, UN GAZ TOXIQUE INODORE ET INCOLORE. DU MONOXYDE DE CARBONE PEUT ÊTRE PRÉSENT MÊME SI ON NE PEUT NI SENTIR NI VOIR DE GAZ D'ÉCHAPPEMENT DU MOTEUR. L'INHALATION DE MONOXYDE DE CARBONE PEUT PROVOQUER LA NAUSÉE, LA PERTE DE CONSCIENCE, VOIRE LA MORT, EN PLUS D'UN ÉTAT DE SOMNOLENCE, D'ÉTOURDISSEMENT ET DE CONFUSION.**

**▲ EN PRÉSENCE DE L'UN DE CES SYMPTÔMES, SORTIR À L'AIR FRAIS ET OBTENIR IMMÉDIATEMENT DES SOINS MÉDICAUX.**

**▲ LES GAZ CHAUDS SONT UN SOUS-PRODUIT NORMAL DE LA MARCHÉ D'UN MOTEUR À COMBUSTION INTERNE. SUIVRE TOUTES LES INSTRUCTIONS DE SÉCURITÉ POUR ÉVITER LES BRÛLURES ET LES INCENDIES.**

**▲ NE PAS ALTÉRER NI MODIFIER LE MOTEUR : NE JAMAIS ALTÉRER NI MODIFIER LE MOTEUR TEL QU'IL EST LIVRÉ DE L'USINE. LA MODIFICATION OU L'ALTÉRATION DU MOTEUR PEUT ENTRAÎNER DES BLESSURES GRAVES OU LA MORT. AVANT DE TRAVAILLER SUR LE MOTEUR OU LA MACHINE OU DE CHANGER DES PIÈCES, VEILLER À TOUJOURS METTRE L'INTERRUPTEUR MARCHÉ/ARRÊT EN POSITION ARRÊT.**

## MANIPULATION SÉCURITAIRE DU CARBURANT

• Faire preuve d'extrême prudence lors de la manipulation de l'essence et de tout autre carburant. Ils sont extrêmement inflammables et leurs vapeurs sont explosives.

• Éteindre les cigarettes, cigares, pipes et autres sources d'inflammation.

• Ne jamais ouvrir le bouchon d'essence ni ajouter du carburant avec le moteur en marche.

• Laisser le moteur refroidir avant de refaire le plein.

• Ne jamais entreposer la machine ou un récipient de carburant en présence de flammes nues, étincelles ou veilleuses, telles que dans un chauffe-eau ou autre appareil domestique.

• Ne jamais remplir les récipients à l'intérieur d'un véhicule ou sur un plateau de camion ou de remorque à doublure en plastique. Toujours placer les récipients sur le sol à l'écart du véhicule avant de les remplir.

• Décharger la machine à essence du camion ou de la remorque et refaire le plein sur le sol. Si cela n'est pas possible, refaire le plein de ce matériel avec un bidon portable plutôt qu'avec un pistolet de pompe à essence.

• Maintenir le pistolet au contact du rebord de l'ouverture du réservoir ou du récipient en permanence jusqu'à ce que le plein soit terminé. Ne pas utiliser de mécanisme de maintien d'ouverture du pistolet.

• Si du carburant est déversé sur les vêtements, changer les vêtements immédiatement.

• Ne jamais trop remplir le réservoir de carburant. Remettre le bouchon d'essence en place et le serrer.

• Si du carburant est déversé, ne pas tenter de démarrer le moteur mais éloigner la machine de la zone du déversement et éviter de créer une quelconque source d'inflammation avant que les vapeurs de carburant se soient dissipées.

• Empêcher tout incendie ou explosion sous l'effet d'une décharge d'électricité statique. Utiliser exclusivement des bidons à carburant portables non métalliques homologués par Underwriter's Laboratory (U.L.) ou par l'American Society for Testing & Materials (ASTM).

• Toujours faire le plein du réservoir de carburant à l'extérieur, dans un endroit bien aéré. Ne jamais faire le plein de carburant à l'intérieur (exemples : sous-sol, garage, grange, remise, maison, galerie, etc.).

• Vérifier que le bouchon du réservoir est correctement en place avant de démarrer le moteur.

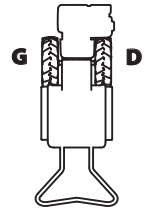
• Toujours faire fonctionner le moteur avec le bouchon du réservoir correctement fermé.

## UTILISATION

- Ne pas laisser les mains, les pieds ou d'autres parties du corps ni les vêtements à proximité des fraises en rotation ou toute autre pièce en mouvement. Les fraises commencent à tourner dès que le moteur est démarré et que le mécanisme d'activation est engagé. Les fraises peuvent continuer de tourner quelques instants lorsque le mécanisme d'activation est relâché.
- Faire preuve de beaucoup de précaution pour traverser des surfaces en gravier. Prendre garde aux dangers cachés et à la circulation.
- Si un objet s'est logé dans les fraises, mettre l'interrupteur MARCHÉ/ARRÊT en position ARRÊT et laisser refroidir avant de tenter de déloger l'objet étranger.
- Après avoir heurté un objet étranger, arrêter le moteur, débrancher le câble de la bougie (ou débrancher le cordon d'alimentation sur les produits électriques), contrôler avec soin l'état de la machine et réparer tout dommage avant de redémarrer et d'utiliser la machine.
- Faire preuve de précaution pour éviter de glisser ou de tomber.
- Si la machine commence à vibrer anormalement, arrêter le moteur et rechercher immédiatement la cause. Les vibrations signalent généralement un problème.
- Arrêter le moteur lorsqu'on quitte la position de conduite, avant de désobstruer les fraises et pour effectuer des réparations, réglages et contrôles.
- Arrêter le moteur avant de laisser la machine sans surveillance.
- Avant tout nettoyage, réparation ou contrôle de la machine, arrêter le moteur et s'assurer que toutes les pièces en mouvement soient à l'arrêt complet. Débrancher le câble de bougie et le tenir loin de la bougie pour éviter tout démarrage accidentel. Débrancher le cordon d'alimentation pour les moteurs électriques.
- Ne pas utiliser le motoculteur alors qu'on est sous l'emprise d'alcool ou de drogue.
- Ne jamais utiliser le motoculteur sans tous ses capots, carters et protections en place.
- Ne pas forcer la machine au-delà de sa capacité en tentant de biner ou labourer trop profondément à une vitesse d'avance trop rapide.
- Ne jamais utiliser la machine à des vitesses de transport élevées sur des surfaces dures ou glissantes.
- Ne jamais laisser personne s'approcher de la machine, en particulier les jeunes enfants.
- Utiliser uniquement des outils et accessoires homologués par le fabricant de la machine (tels que lests de roue, contrepoids et articles semblables).
- Ne jamais utiliser le motoculteur si l'éclairage ou la visibilité sont insuffisants.

## AVIS

**LES CÔTÉS DROIT ET GAUCHE DU MOTOCULTEUR SONT DÉFINIS À PARTIR DE LA POSITION DE CONDUITE ALORS QU'ON FAIT FACE À LA DIRECTION DE DÉPLACEMENT VERS L'AVANT. LE MOTEUR EST EXPÉDIÉ DE L'USINE SANS HUILE. VEILLER À FAIRE LE PLEIN D'HUILE MOTEUR AVANT DE DÉMARRER LE MOTEUR.**



- Faire preuve de précaution lors de travail sur un sol dur. Les fraises peuvent accrocher le sol et propulser le motoculteur vers l'avant. Si cela se produit, lâcher les poignées et ne pas essayer de retenir la machine.
- Faire preuve de grande prudence lors des changements de sens ou en tirant la machine vers soi. Pour éviter de se retrouver coincé contre une structure, prévoir une distance suffisante avant de passer en marche arrière près d'un mur ou d'une clôture.
- Ne pas modifier les réglages du régulateur de moteur ni faire tourner le moteur en surrégime.
- Démarrer ou allumer le moteur avec précaution conformément aux instructions et en gardant les pieds à l'écart des fraises.
- Ne jamais soulever ni porter la machine avec le moteur en marche.
- Ne pas utiliser le motoculteur alors qu'on est sous l'emprise d'alcool ou de drogue.
- Le travail avec un motoculteur à conducteur à pied est fatigant. L'utilisateur doit être en bonne forme physique et vigilant. En cas de problème de santé susceptible d'être aggravé par un travail pénible, consulter un médecin avant d'utiliser un motoculteur à conducteur à pied.

## ENTRETIEN ET ENTREPOSAGE

- Maintenir la machine, les outils et les accessoires en bon état de marche.
- Contrôler fréquemment le bon serrage des boulons de cisaillement, des boulons de fixation du moteur et des autres boulons pour s'assurer que le matériel est en bon état de marche.
- Pour éviter les démarrages accidentels, toujours débrancher le câble de bougie et l'attacher à l'écart de la bougie avant d'effectuer l'entretien du motoculteur.
- Les poulies et courroies doivent être exemptes d'huile ou autre humidité pour fonctionner efficacement.
- Ne jamais entreposer la machine avec de l'essence dans le réservoir à l'intérieur d'un bâtiment fermé où des sources d'inflammation sont présentes, notamment chauffe-eau, convecteurs électriques, sècheuses, etc. Laisser le moteur refroidir avant de l'entreposer dans une quelconque enceinte.

• Toujours se reporter aux instructions détaillées du manuel de l'utilisateur si le motoculteur doit être entreposé pendant une durée prolongée.

Si le réservoir de carburant doit être vidangé, le faire à l'extérieur.

Suivre les recommandations du fabricant concernant la sécurité de chargement, de déchargement, de transport et d'entreposage de la machine.

## AUTOCOLLANTS DE SÉCURITÉ

Ce motoculteur est conçu et fabriqué pour offrir toute la sécurité et la fiabilité qu'on est en droit d'attendre d'un chef de file du marché de l'outillage motorisé pour travaux extérieurs.

Bien que le présent manuel et les instructions de sécurité qu'il contient fournissent les connaissances de base nécessaires pour utiliser ce matériel efficacement et en toute sécurité, nous avons apposé plusieurs autocollants de sécurité sur le motoculteur pour rappeler certaines informations importantes à l'opérateur durant son utilisation.

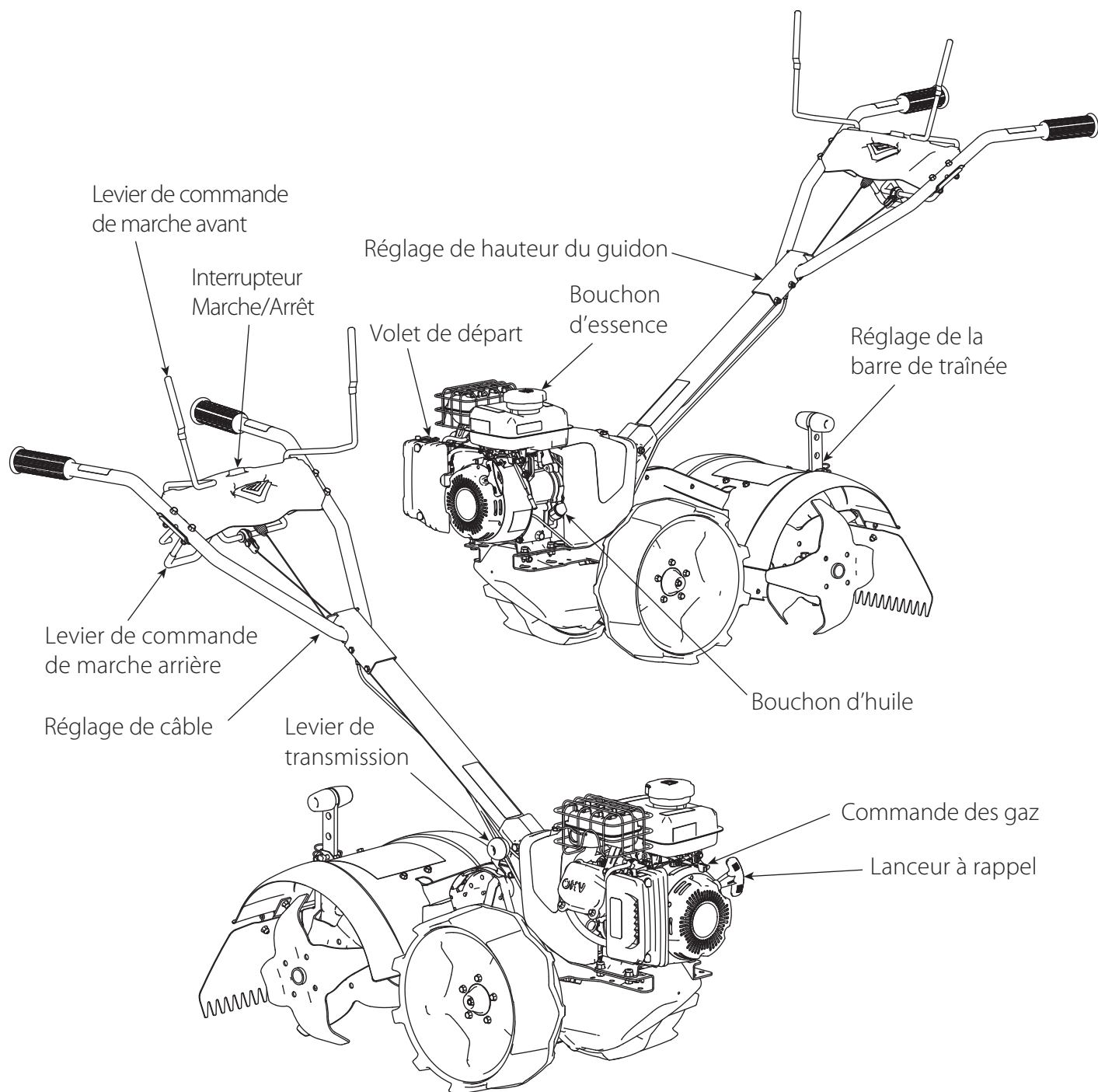
Veiller à les passer en revue maintenant et, en cas de doute concernant leur signification ou le respect de ces instructions, relire complètement les instructions de sécurité du manuel. Pour toute question, appeler le service après-vente Earthquake®.

### SYMBOLES DE SÉCURITÉ ET SIGNIFICATIONS

- A: Avertissement!
- B: Danger de blessure par les fraises en rotation.
- C: Lire le manuel de l'utilisateur avant d'utiliser la machine.
- D: Enlever les objets susceptibles d'être projetés par cette machine.
- E: Pièces en mouvement dangereuses.
- F: Prendre garde aux pièces en mouvement et en rotation.
- G: Porter en permanence une protection des yeux et des oreilles.
- H: Ne pas effectuer d'entretien ni de réglage de pièces en mouvement avant d'avoir coupé le moteur et débranché le câble de bougie.
- I: S'habiller comme il se doit et porter des chaussures solides.
- J: Vapeurs toxiques — Ne pas faire fonctionner dans des endroits non ventilés.
- K: Surfaces chaudes.
- L: Risques d'incendie
- M: Ne pas utiliser durant des orages. En cas de fortes intempéries, arrêter la machine et se mettre à l'abri.
- N: Levage à plusieurs - Par mesure de sécurité, toujours soulever cette machine à deux personnes au moins.
- O: Ne pas labourer au-dessus de canalisations et tuyaux souterrains.
- P: Ne pas utiliser en présence d'enfants ou autres personnes.



## CARACTÉRISTIQUES



## UTILISATION

### COMMANDES :

#### SÉLECTEUR DE MODE D'ENTRAÎNEMENT

Tirer la manette de sélection du mode d'entraînement (levier de transmission) jusqu'au mode d'entraînement souhaité pour la transmission. Ne pas changer la manette de sélectionner de mode alors que le levier de commande de marche avant ou arrière est embrayé.

**MODES D'ENTRAÎNEMENT :** VOIR FIGURE 14

**POINT MORT :** Les roues et les fraises sont débrayées du moteur. Utiliser ce mode pour l'entreposage et pour le transport avec le moteur à l'arrêt.

**CRT :** Les roues et les fraises sont embrayées sur le moteur. Les fraises tournent dans le sens opposé aux roues. Utiliser ce mode pour labourer un nouveau terrain ou des sols compactés.

**DRIVE :** Les roues sont embrayées sur le moteur. Les fraises sont débrayées du moteur. Utiliser ce mode pour le transport tracté par le moteur pour monter des pentes raides.

**SRT :** Les roues et les fraises sont embrayées sur le moteur. Les fraises tournent dans le même sens que les roues. Utiliser ce mode pour les potagers déjà établis et pour labourer des sols meubles. Utiliser ce mode avec l'accessoire charrue-butteuse pour créer des buttes et tranchées.

**LEVIERS DE COMMANDE D'ENTRAÎNEMENT :** VOIR FIGURE 15

**AVANT :** Tirer le levier de marche avant vers le bas pour embrayer la transmission en marche AVANT. Relâcher le levier vers de marche avant pour débrayer la transmission et s'arrêter.

**ARRIÈRE :** Tirer le levier de marche arrière vers le haut pour embrayer la transmission en marche ARRIÈRE. Relâcher le levier vers de marche arrière pour débrayer la transmission et s'arrêter.

**REMARQUE :** Ne jamais tenter d'embrayer les leviers de marche avant et arrière en même temps.

#### RÉGLAGE DE HAUTEUR DU GUIDON

Le guidon est réglable dans trois positions en hauteur en fonction de la taille de l'utilisateur. Durant les travaux de labourage normal, la position du guidon s'abaisse de 25 cm (10 po) environ par rapport à sa hauteur normale et il convient d'en tenir compte lors du réglage de la hauteur du guidon. Pour changer la position en hauteur, retirer la visserie de fixation du guidon et le basculer de façon à aligner les trous dans la position souhaitée.

**POSITIONS EN HAUTEUR :** VOIR FIGURE 16

**BAS :** Attacher le guidon à l'aide des trous B et C.

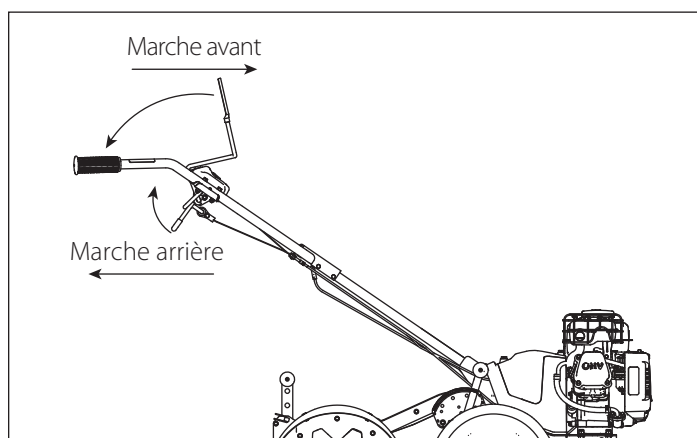


Figure 15

## MODES D'ENTRAÎNEMENT :

**SRT**

**DRIVE**

35198

**CRT**

**NEUTRAL**

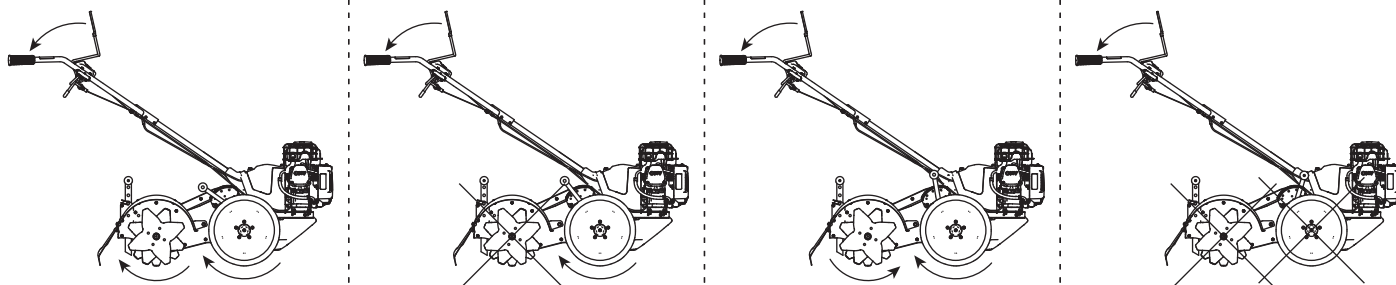


Figure 14



**MILIEU :** Attacher le guidon à l'aide des trous C et D.

**HAUT :** Attacher le guidon à l'aide des trous A et D.

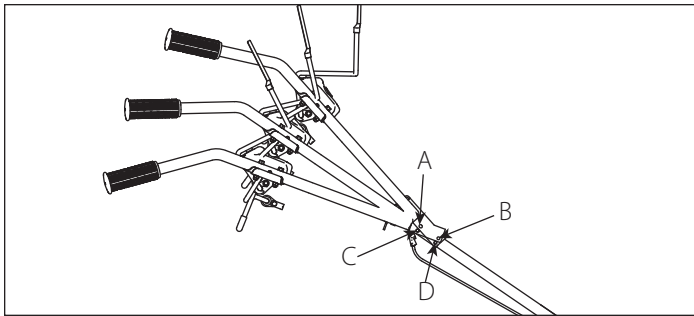


Figure 16

**BARRE DE TRAÎNÉE :** VOIR FIGURE 17

**CRT :** En mode CRT (fraises en rotation inverse), la barre de traînée limite la profondeur de labourage, par conséquent plus la barre de traînée est basse et moins le labourage est profond. Si la barre de traînée est placée dans la position la plus haute, la profondeur de labourage est maximale.

**SRT :** En mode SRT (fraises en rotation (avant) standard), la barre de traînée limite la vitesse. Plus la barre de traînée est basse et moins la machine se déplace rapidement en marche avant. Par conséquent, si la machine fait des bonds en avant ou se déplace trop vite, abaisser la barre de traînée.

**TRANSPORT :** Relever complètement la barre de traînée pour transporter le motoculteur.

### RÉGLAGE DE TENSION DE LA COURROIE

Une courroie bien tendue est essentielle au bon fonctionnement. La tension correcte de la courroie assure qu'elle est pleinement engagée et évite qu'elle glisse ou qu'elle siffle. Par ailleurs, les câbles exposés entre les leviers d'embrayage et le tube de guidon ne sont pas lâches. Au bout d'une demi-heure d'utilisation, il peut être nécessaire d'ajuster les deux câbles en raison de l'étirement initial de la courroie. Après le réglage initial, vérifier la tension toutes les dix (10) heures de fonctionnement et après un entreposage à long terme.

Pour augmenter la tension de la courroie de marche avant :

1. Desserrer le contre-écrou supérieur sur le guidon. VOIR FIGURE 18
2. Serrer le contre-écrou inférieur par intervalles de 3 mm (1/8 po) jusqu'à ce que le ressort bombé s'étire de 5 mm (3/16 po) supplémentaires lorsque le levier d'embrayage en marche avant est complètement engagé.

Réglage de tension de la courroie de marche arrière : Si la marche arrière cesse de fonctionner, ajuster les contre-écrous sur le câble de marche arrière d'un tour à la fois jusqu'à ce que la marche arrière fonctionne à nouveau.

**REMARQUE :** Cette opération peut être répétée jusqu'à ce qu'il n'y ait plus de réglage possible. Si le réglage est au maximum et que la tension de la courroie n'est pas satisfaisante, il peut être nécessaire de changer la courroie.

### CONTRÔLE AVANT DÉMARRAGE :

1. S'assurer que toutes les protections sont en place et que toute la visserie est bien serrée.
2. Vérifier le niveau d'huile dans le carter du moteur. Voir la procédure à suivre dans le manuel du moteur.
3. Vérifier la propreté de l'épurateur d'air. Voir la procédure à suivre dans le manuel du moteur.
4. Vérifier le carburant. Voir la procédure à suivre et les recommandations concernant le carburant dans le manuel du moteur.
5. Examiner le dessous et le pourtour du moteur pour vérifier l'absence de fuites d'essence ou d'huile.
6. Contrôler le bon serrage et l'étanchéité des tuyaux de carburant.
7. Vérifier l'absence d'indications de dommages du moteur.
8. Éliminer les déchets excessifs de la zone du silencieux et du lanceur.
9. Mettre le robinet d'ARRÊT d'essence en position ouverte si la machine en est équipée. Voir la procédure à suivre dans le manuel du moteur.
10. Vérifier que la bougie est fermement serrée et que le câble de bougie est attaché.

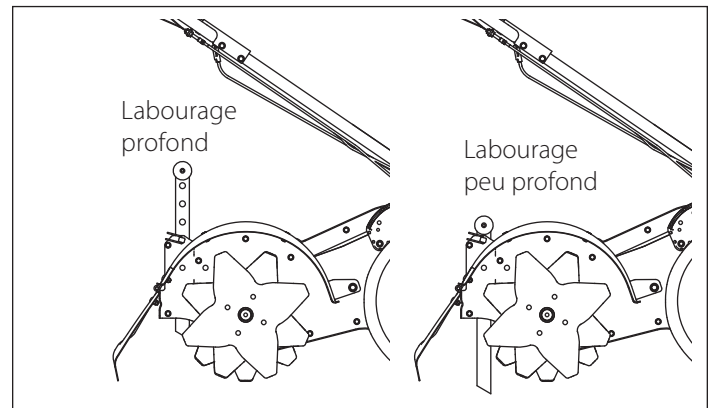


Figure 17

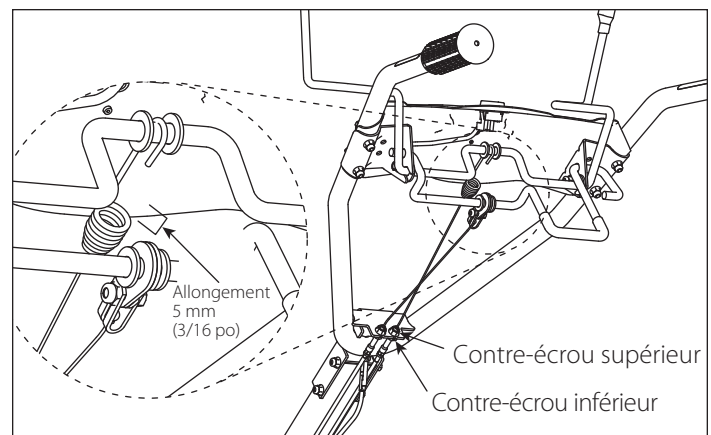


Figure 18

### DÉMARRAGE :

Les commandes nécessaires pour démarrer le moteur (levier du volet de départ, commande des gaz, lanceur à cordon et interrupteur MARCHE/ARRÊT) se trouvent sur le moteur et le guidon. Voir l'emplacement du levier du volet de départ, de la commande des gaz et du lanceur à cordon ainsi que leurs positions correctes de démarrage dans le manuel du moteur. L'interrupteur MARCHE/ARRÊT se trouve sur le panneau enjoliveur du guidon au niveau de la position de conduite. VOIR LES CARACTÉRISTIQUES À LA PAGE 28

### DÉMARRAGES À FROID

1. Mettre l'interrupteur MARCHE/ARRÊT en position MARCHE.
2. Placer le levier du volet de départ en position ÉTRANGLÉ.
3. Placer le levier de commande des gaz à mi-distance entre LENT et RAPIDE.
4. Tirer sur le cordon du lanceur lentement une première fois et le laisser revenir normalement.
5. Tirer ensuite sur le cordon du lanceur rapidement et le laisser revenir normalement.
  - a. Répéter jusqu'à ce que le moteur démarre.
6. Une fois que le moteur démarre, amener progressivement le levier du volet de départ jusqu'en position RUN (marche) et mettre le levier de commande des gaz en position RAPIDE.

### REDÉMARRER UN MOTEUR CHAUD

Redémarrer un moteur qui est déjà chaud suite à une utilisation récente ne nécessite normalement pas d'utiliser le volet de départ.

1. Mettre l'interrupteur MARCHE/ARRÊT en position MARCHE.
2. Placer le levier de commande des gaz à mi-distance entre LENT et RAPIDE.
3. Tirer ensuite sur le cordon du lanceur rapidement et le laisser revenir normalement.
  - a. Répéter jusqu'à ce que le moteur démarre.
4. Une fois que le moteur démarre, mettre le levier de commande des gaz en position RAPIDE.

### RÉGIME DE RALENTI

Utiliser la position LENT ou une position entre LENT et RAPIDE du levier de commande des gaz afin de réduire la contrainte sur le moteur lorsqu'on ne laboure pas. L'abaissement du régime du

moteur jusqu'au ralenti permet d'étendre la durée de service du moteur, ainsi que d'économiser le carburant et réduire le niveau sonore du motoculteur.

### RÉGIME DE FONCTIONNEMENT

Pour labourer, régler le levier de commande des gaz entre ses positions « milieu » et « rapide ».

### MISE À L'ARRÊT :

Pour arrêter le moteur à tout moment, mettre l'interrupteur MARCHE/ARRÊT en position ARRÊT. Pour arrêter les roues et les fraises à tout moment, relâcher les leviers de commande d'entraînement pour qu'ils reviennent en position NEUTRE.

### LABOURAGE :

1. Régler la barre de traînée sur la profondeur de labourage souhaitée.
2. Démarrer le moteur et mettre le levier de commande des gaz en position RAPIDE.
3. Sélectionner le mode d'entraînement souhaité.
4. Engager le levier de marche avant pour commencer à labourer.

### CONSEILS DE LABOURAGE

Le secret d'un labourage réussi est de commencer par une pénétration peu profonde lors de la première passe, en approfondissant ensuite de quelques centimètres à chaque passe successive jusqu'à la profondeur souhaitée. Espacer les rangées de 50 à 55 cm (20 à 22 po) pour faciliter le retournement au bout de chaque rangée.

#### CRT (Counter Rotating Tines - fraises en rotation inverse)

- Utiliser le mode d'entraînement CRT pour labourer un sol vierge, compacté ou extrêmement dense.

#### SRT (Standard Rotating Tines - fraises en rotation avant)

- Utiliser le mode d'entraînement SRT pour labourer un potager déjà établi ou un sol meuble.
- En mode SRT, la barre de traînée s'utilise pour contrôler la vitesse. Plus la barre de traînée est basse et plus le motoculteur avance lentement.
- Si le motoculteur fait des bonds ou dérape de façon incontrôlable, abaisser la barre de traînée.

Opération d'entretien	Page	Avant chaque utilisation	10 heures	Chaque saison	50 heures
Vérifier/ajuster la tension de la courroie	25		X	X	
Changer les courroies	27-28				X
Lubrifier les pièces en mouvement	29		X		
Nettoyer l'arbre de fraises	29	X			
Nettoyer l'arbre de roues	29	X			
Entretien du moteur	s.o.	Voir le manuel du moteur			

Figure 19

- Tenir fermement le guidon pour maîtriser les soubresauts soudains.
- En mode SRT, le fait de lever le guidon a pour effet de ralentir la machine.
- Si le réglage de la barre de traînée ne résout pas les problèmes de contrôle, passer en mode CRT.

### **TRANSPORT :**

Pour faciliter le transport du motoculteur, le mode DRIVE permet au moteur d'entraîner les roues sans faire tourner les fraises. Cela permet d'amener le motoculteur jusqu'au jardin sans endommager les plantes, pelouses, trottoirs, allées, etc. Pour mettre le motoculteur en mode DRIVE, il suffit d'amener le levier de transmission en position DRIVE et d'utiliser les leviers de commande de marche avant et arrière pour manœuvrer le motoculteur.

## **ENTRETIEN**

### **CALENDRIER D'ENTRETIEN :**

Ce motoculteur a été conçu et fabriqué pour offrir des années de fonctionnement fiable. Le maintien du motoculteur en parfait état de marche permet d'étendre sa durée de service et d'obtenir un rendement optimal. Veiller à lire ce calendrier d'entretien courant et prendre note des opérations d'entretien recommandées pour étendre la durée de service de la machine.

Se reporter au calendrier d'entretien (FIGURE 19) si le motoculteur est utilisé normalement. Si le motoculteur est utilisé dans des conditions inhabituelles, notamment une exploitation soutenue sous forte charge ou température élevée ou des conditions habituellement humides ou poussiéreuses, obtenir des conseils adaptés à ces besoins particuliers auprès du concessionnaire.

Pour assurer des soins corrects du motoculteur, les pages suivantes comportent des instructions de contrôle et d'entretien courants au moyen d'outils à mains de base. Il est préférable de confier à des professionnels les tâches d'entretien ou de réparation plus difficiles ou nécessitant un outillage spécial et qui sont normalement effectuées par un technicien ou mécanicien qualifié. Pour trouver des centres de réparation locaux, utiliser l'outil de recherche : [getearthquake.com/Locations/ServiceCenter](http://getearthquake.com/Locations/ServiceCenter)

**REMARQUE :** Voir le calendrier d'entretien du moteur dans le manuel du moteur fourni avec le motoculteur.

### **ENTRETIEN DU MOTOCULTEUR :**

L'information ci-dessous couvre les contrôles nécessaires et les opérations à effectuer pour respecter les conseils d'entretien normal de la machine. Le cas échéant, ces contrôles et opérations nécessaires peuvent être confiés au concessionnaire agréé local.

### **ENTRETIEN DE LA COURROIE :**

#### **VÉRIFIER LA TENSION DE LA COURROIE**

La courroie peut se détendre avec le temps. Il peut être nécessaire de la retendre dans la première demi-heure d'utilisation et de la vérifier toutes les dix heures d'utilisation par la suite. Un bon réglage garantira une longue durée de service de la courroie. Une tension excessive ou insuffisante entraînerait une défaillance prématurée de la courroie.

Si un sifflement continu est audible lorsque le levier d'embrayage est utilisé ou si la courroie patine et que les roues et les fraises ne tournent pas, cela indique qu'il peut être nécessaire de régler la courroie. Si la courroie doit être réglée, voir Réglage de tension de la courroie à la page 25.

## **CHANGER LES COURROIES DE MARCHÉ AVANT ET ARRIÈRE**

### **DÉPOSE DES COURROIES DE MARCHÉ AVANT/ARRIÈRE**

1. Arrêter le moteur. Laisser le moteur refroidir avant d'effectuer des tâches d'entretien.
2. Débrancher le câble de bougie et l'attacher à l'écart de la bougie.
3. Mettre le levier de transmission en position NEUTRAL.
4. Démonter les roues, les coiffes de poulie supérieures et les protège-poulies inférieures. VOIR FIGURE 20
5. Détacher les câbles de marche avant et arrière des leviers de commande d'entraînement.
6. Tirer le bras de marche arrière à l'écart de la poulie du moteur. À l'aide de deux clés de 13 mm, desserrer la poulie folle du bras de marche arrière suffisamment pour pouvoir dégager la courroie de marche arrière. VOIR FIGURE 21
7. Faire tourner lentement la poulie de transmission en poussant la courroie de marche avant hors de la gorge de marche avant pour la dégager de la poulie. VOIR FIGURE 22
8. Pousser la courroie de marche avant vers le haut et la dégager de la poulie du moteur. VOIR FIGURE 23
9. Retirer la courroie de marche arrière de la poulie de transmission. VOIR FIGURE 24

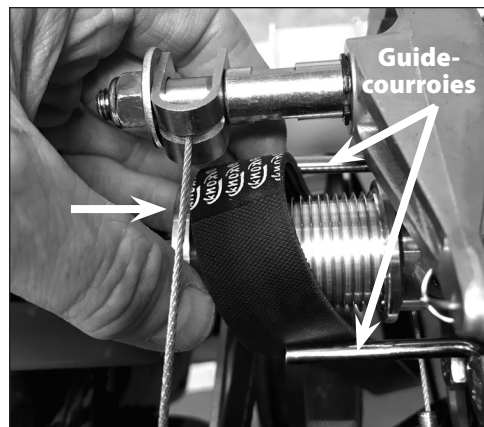
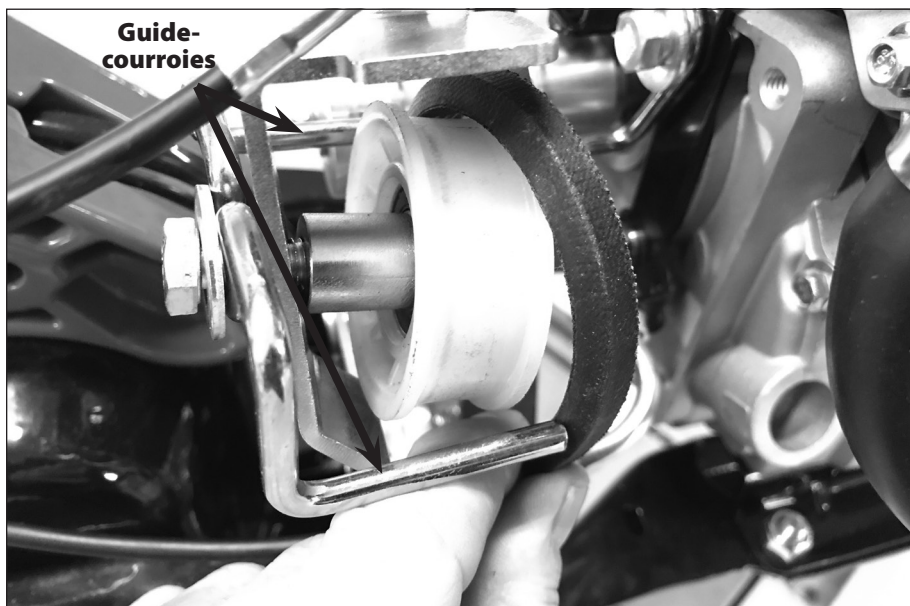
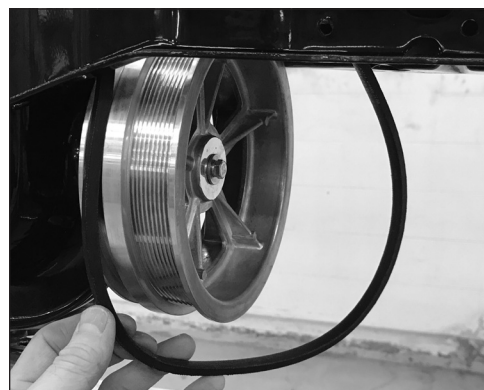
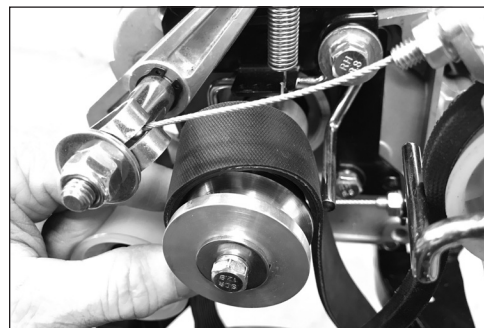
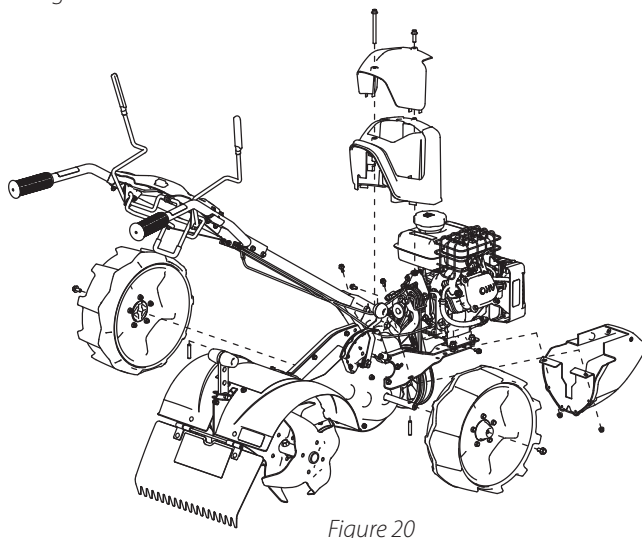
### **POSE DES COURROIES DE MARCHÉ AVANT/ARRIÈRE**

1. Placer la courroie de marche arrière dans la gorge de marche arrière de la poulie de transmission. VOIR FIGURE 24
2. Placer la courroie de marche avant dans la gorge de marche avant de la poulie du moteur entre les guide-courroies. VOIR FIGURE 25
3. Faire tourner lentement la poulie de transmission en poussant la courroie de marche avant dans la gorge de marche avant. VOIR FIGURE 22

4. Enfiler la courroie de marche arrière sur la poulie folle du bras de marche arrière entre le guide-courroies et la placer contre la gorge de marche arrière de la poulie du moteur. VOIR FIGURE 21
5. Serrer la poulie folle avec deux clés de 13 mm de telle manière que les guide-courroies ne touchent pas la courroie lorsque le levier de marche arrière est embrayé.
6. Rattacher les câbles de marche avant et arrière aux leviers de commande d'entraînement en marche avant et arrière.
7. Remonter les coiffes supérieures, les protège-poulies inférieur et les roues. VOIR FIGURE 20

**REMARQUE :** Ne pas tenter de monter les roues avant d'avoir remonté le protège-poulie inférieur.

8. Rebrancher le câble de bougie.



## LUBRIFICATION :

La bonne lubrification des pièces mécaniques en mouvement est une partie essentielle de l'entretien et la maintenance. Lubrifier les pièces en mouvement suivantes à des intervalles de 10 heures avec une graisse blanche au lithium :

1. Bras de marche avant et arrière.
2. Leviers d'embrayage de marche avant et arrière.
3. Câbles de marche avant et arrière.

## NETTOYER L'ARBRE DE FRAISES :

1. Arrêter le moteur. Le moteur doit être froid.
2. Débrancher le câble de bougie et l'attacher à l'écart de la bougie.
3. Incliner le motoculteur vers le moteur et le caler dans cette position de telle façon qu'il repose sur le protège-poulie inférieur et que les fraises soient exposées.
4. Éliminer toute végétation, ficelle, fil de fer et autres matières étrangères qui peuvent s'être accumulées sur l'arbre entre les fraises et le boîtier de réducteur.
  - a. Il peut être utile de retirer les fraises pour bien éliminer tous les débris et assurer un fonctionnement optimal.
  - b. Pour retirer les fraises, desserrer et retirer la vis et l'écrou sur l'arbre de fraises et glisser les fraises hors de l'arbre.
5. Ramener le motoculteur en position normale.

## NETTOYER L'ARBRE DE ROUES :

1. Arrêter le moteur. Le moteur doit être froid.
2. Débrancher le câble de bougie et l'attacher à l'écart de la bougie.
3. Éliminer toute végétation, ficelle, fil de fer et autres matières qui peuvent s'être accumulées sur l'arbre entre les roues et le boîtier de réducteur.
  - a. Il peut être utile de retirer les roues pour bien éliminer tous les débris et assurer un fonctionnement optimal.
  - b. Pour retirer les roues, desserrer la vis sur l'arbre de roues et glisser les roues hors de l'arbre, en prenant garde de ne pas perdre la goupille de roue trouvée sur l'arbre.
  - c. Si les roues sont difficiles à enlever, visser une longueur 25 mm (ou plus) d'une vis M10x1,5 dans le moyeu de la roue et tourner dans le sens des aiguilles d'une montre jusqu'à ce que la roue se détache de l'arbre. VOIR FIGURE 26
4. Ramener le motoculteur en position normale.

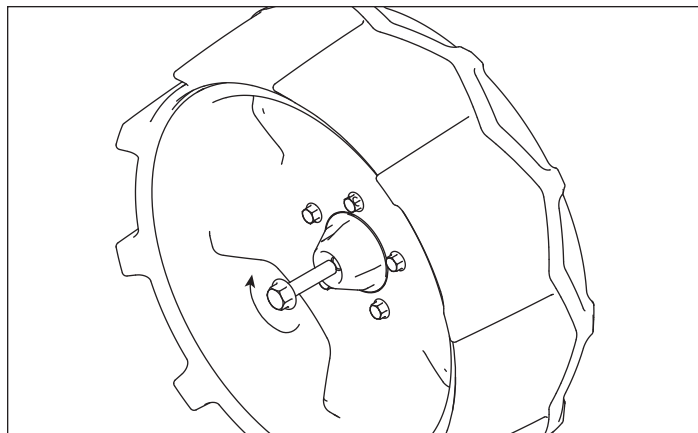


Figure 26

## ENTRETIEN DU MOTEUR

Voir l'information sur l'entretien du moteur dans le manuel du moteur fourni. Le manuel du moteur contient des instructions et un calendrier d'entretien propres à ce moteur.

### EFFECTUER LES TÂCHES SUIVANTES

1. Toujours vérifier le niveau d'huile avant de démarrer le moteur. Voir la capacité et le type d'huile à utiliser dans le manuel du moteur.
2. Changer l'huile au bout des premières 5 à 8 heures d'utilisation. Changer l'huile alors que le moteur est chaud. Refaire le plein avec une huile neuve de grade recommandé.
3. Contrôler la bougie chaque année ou toutes les 50 heures d'utilisation.
4. Effectuer l'entretien de l'épurateur d'air après toute utilisation dans une atmosphère poussiéreuse ou des conditions extrêmes.
5. Maintenir la propreté du moteur et des pièces.
6. Contrôler le serrage de la visserie du moteur et de la machine souvent et la maintenir bien serrée.

## ENTREPOSAGE

### PRÉPARER POUR L'ENTREPOSAGE

Suivre les étapes ci-dessous pour préparer le motoculteur pour l'entreposage. Voir les instructions détaillées de préparation du moteur pour l'entreposage dans le manuel du moteur.

### POUR PRÉPARER LE MOTOCULTEUR À L'ENTREPOSAGE :

1. Protéger les arbres contre la rouille :
  - a. Retirer les fraises de leur arbre.
  - b. Enduire légèrement les arbres d'une graisse pour essieu.
  - c. Remonter les fraises et les attacher.

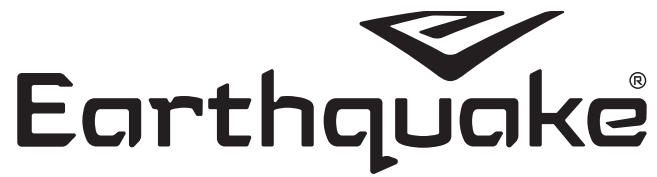
2. Vidanger complètement le circuit de carburant conformément aux instructions du fabricant du moteur ou ajouter du stabilisateur de carburant pour empêcher l'essence d'encrasser le carburateur durant un entreposage prolongé.
3. Alors que le moteur est encore chaud, vidanger l'huile du moteur. Refaire le plein avec une huile fraîche de grade recommandé.
4. Nettoyer toutes les surfaces extérieures du motoculteur et du moteur, y compris les ailettes de refroidissement et le ventilateur.
5. Préparation de la bougie :
  - a. Retirer la bougie, verser 30 ml (1 oz) d'huile SAE 10W30 dans l'orifice de la bougie.
  - b. Boucher l'orifice et tirer le cordon du lanceur lentement afin de répartir l'huile uniformément dans le cylindre et la culasse.
  - c. Remettre la bougie en place.
6. Amener la machine dans un lieu d'entreposage qui convient. Si le circuit de carburant n'est pas vidangé et qu'un stabilisateur de carburant est utilisé, veiller à suivre toutes les instructions de sécurité et précautions concernant l'entreposage figurant dans ce manuel et dans le manuel du moteur afin d'écartier tout risque d'incendie par inflammation des vapeurs d'essence. Garder à l'esprit que les vapeurs d'essence peuvent se propager jusqu'à des sources éloignées d'inflammation et s'enflammer, créant un danger d'explosion et d'incendie.
7. Une fois le motoculteur à son lieu d'entreposage, mettre la transmission en position SRT.
8. S'il y a le moindre risque d'utilisation non autorisée ou d'effraction, retirer la bougie et la conserver dans un endroit sûr avant d'entreposer le motoculteur. Veiller à boucher l'orifice de bougie afin d'éviter toute pénétration de matières étrangères dans le moteur.

## DÉPANNAGE ET RÉPARATION

### GUIDE DE DÉPANNAGE :

Si un soin normal et un entretien régulier contribueront à étendre la durée de service du motoculteur, une utilisation intensive ou constante peut finir par nécessiter des réparations pour lui permettre de continuer à fonctionner correctement. Le guide de dépannage ci-dessous présente les problèmes les plus courants, leurs causes et leurs solutions.

PROBLÈME	SOLUTION / MESURE CORRECTIVE
Le moteur ne démarre pas	<ul style="list-style-type: none"> <li>• Mettre de l'essence dans le réservoir d'essence.</li> <li>• Brancher le câble sur la bougie</li> <li>• Le volet de départ doit être engagé pour un démarrage à froid</li> </ul>
Le moteur a des ratés, se noie durant la marche	<ul style="list-style-type: none"> <li>• Nettoyer ou changer l'épurateur d'air</li> </ul>
Le moteur est difficile à démarrer	<ul style="list-style-type: none"> <li>• Vidanger le carburant usagé et le remplacer par du frais. Utiliser du stabilisateur de carburant en fin de saison</li> <li>• Vérifier que le câble de bougie est fermement engagé sur la bougie</li> <li>• Les leviers de commande d'entraînement doivent être relâchés et en position neutre pour démarrer le moteur</li> </ul>
Le moteur a des ratés ou manque de puissance	<ul style="list-style-type: none"> <li>• Abaisser la barre de trainée pour relever les fraises et labourer moins en profondeur</li> <li>• Retirer et nettoyer le réservoir de carburant</li> <li>• Nettoyer ou changer le filtre à air</li> <li>• Nettoyer le gicleur du carburateur</li> <li>• Changer la bougie et ajuster l'écartement</li> <li>• Vidanger le réservoir d'essence et le carburateur puis refaire le plein</li> </ul>
Le motoculteur se déplace vers l'avant ou l'arrière durant le démarrage	<ul style="list-style-type: none"> <li>• Les leviers de commande d'entraînement doivent être relâchés et en position débrayée pour démarrer le moteur</li> <li>• La transmission doit être placée en position neutre pour démarrer le moteur</li> </ul>
Le motoculteur est difficile à maîtriser durant le labourage (la machine rebondit ou saute vers l'avant)	<ul style="list-style-type: none"> <li>• Abaisser la barre de trainée pour relever les fraises et labourer moins en profondeur</li> <li>• Passer en mode CRT</li> </ul>
Les fraises tournent, les roues tournent, le motoculteur n'avance pas	<ul style="list-style-type: none"> <li>• Abaisser la barre de trainée pour relever les fraises et labourer moins en profondeur</li> <li>• Relever légèrement le guidon pour offrir une meilleure adhérence aux roues</li> <li>• Passer en mode SRT</li> </ul>
Sifflement de courroie lorsqu'elle est débrayée	<ul style="list-style-type: none"> <li>• Vérifier et ajuster la tension de la courroie</li> <li>• Ajuster les guides de courroie</li> </ul>
Échauffement excessif au niveau du réducteur et des fraises durant le labourage	<ul style="list-style-type: none"> <li>• Enlever la végétation et les débris comme indiqué sous NETTOYER L'ARBRE DE FRAISES dans la section Entretien de ce manuel</li> </ul>
Impossible de retirer les roues de l'arbre	<ul style="list-style-type: none"> <li>• Démontez les roues comme indiqué sous NETTOYER L'ARBRE DE ROUES dans la section Entretien de ce manuel</li> </ul>



GROUNDBREAKING POWER EQUIPMENT

1160 Eighth Avenue  
PO Box 666  
Cumberland, WI 54829

Phone, Téléphone : (800) 345-6007  
Fax, Télécopieur : (715) 822-2124  
[www.getearthquake.com](http://www.getearthquake.com)