

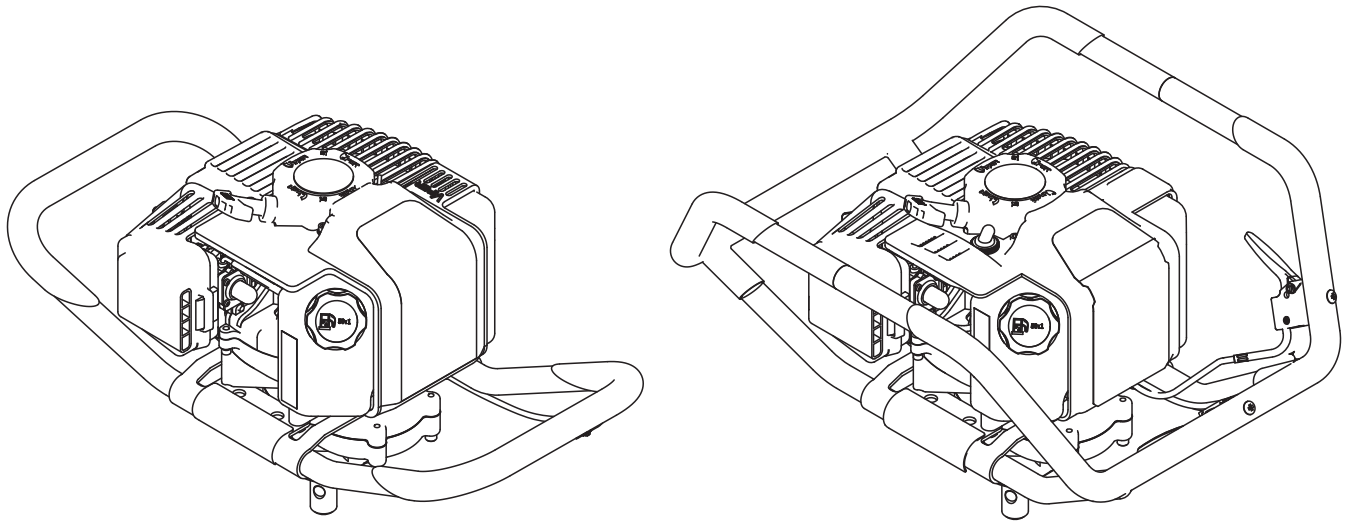


Operator's Manual  
Manual del operador  
Manuel de l'utilisateur  
**2-Cycle Earth Auger Powerheads**

ENGLISH

ESPAÑOL

FRANÇAIS



**English:** .....Pages 2-15

**Español:** .....Páginas 16-30

**Français:** .....Pages 31-45

Get parts or technical assistance online at  
[www.GetEarthquake.com](http://www.GetEarthquake.com) or call (800) 345-6007  
Obtenga piezas o asistencia técnica en línea en  
[www.GetEarthquake.com](http://www.GetEarthquake.com) o llame al (800) 345-6007  
Pièces détachées et assistance technique en ligne à  
[www.GetEarthquake.com](http://www.GetEarthquake.com) ou composer le (800) 345-6007

P/N: 35257  
ECN: 12654  
REV1: 10/22/19  
© 2020 Ardisam, Inc.  
All Rights Reserved  
Todos los derechos reservados  
Tous droits réservés

## INTRODUCTION

Congratulations on your investment in quality. Thank you for purchasing an Earthquake® Earth Auger Powerhead. We have worked to ensure that your earth auger powerhead meets the highest standards for usability and durability. With proper care, your earth auger powerhead will provide many years of service.

**Read this entire manual before installation and use. Earthquake® reserves the right to change, alter or improve the product and this document at any time without prior notice.**

## CONTENTS

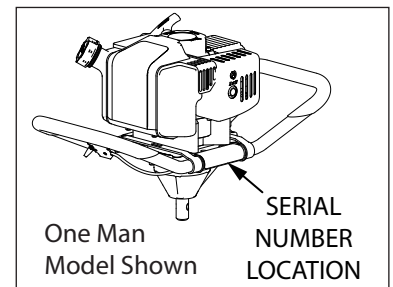
Introduction .....	2
Warnings and Safety Precautions.....	3-7
Assembly .....	8
Powerhead Features.....	9
Operation .....	10-11
Maintenance and Storage.....	12-14
Troubleshooting and Repair.....	14-15

## FEDERAL EMISSION INFORMATION

Ardisam warrants to the retail purchaser, that this small, off-road engine was designed, built and equipped to conform at the time of manufacture to all applicable regulations of the U.S. Environmental Protection Agency (EPA) and those of the State of California (CARB) when applicable.

## REGISTRATION AND SERVICE

Record the model number and serial number in the space provided for easy reference when ordering parts or requesting technical support. Excluding emissions-related warranty items, the warranty is valid only if the completed registration is received by Earthquake within 30 days of purchase. **(SEE WARRANTY SECTION FOR MORE INFORMATION.)** You can register your warranty online by visiting [www.getearthquake.com](http://www.getearthquake.com), or by mailing it to: Earthquake, 1160 Eighth Avenue, Cumberland, WI 54829. If you do not have a computer, call our customer service department to register your product.



OWNERSHIP RECORDS		
Owner's Name:		
Owner's Address:		
City:	State/Province:	Zip Code/Postal Code:
Model Number:	Serial Number:	
Date of Purchase:		
Notes:		

This manual may contain information for several models. Read and keep this manual for future reference. This manual contains important information on SAFETY, ASSEMBLY, OPERATION, AND MAINTENANCE. The owner must be certain that all the product information is included with the unit. This information includes the MANUAL, the REPLACEMENT PARTS and the WARRANTIES. This information must be included to make sure state laws and other laws are followed. This manual should remain with the product even if it is resold.

## WARNINGS AND SAFETY PRECAUTIONS

### OPERATOR'S RESPONSIBILITY

Accurate, safe and effective use of this product is the operator's responsibility.

- Read and follow all safety instructions.
- Maintain this machine according to directions and schedule included in this operator's manual.
- Ensure that anyone who uses the machine is familiar with and understands all controls and safety precautions.

### SAFETY MESSAGES

Your manual contains special messages to bring attention to potential safety concerns, machine damage as well as helpful operating and servicing information. Read all the information carefully to avoid injury and machine damage.

**NOTE:** *General information is given throughout the manual that may help the operator in the operation or service of the product.*



This symbol points out important safety instructions which if not followed could endanger your personal safety.

### BEFORE OPERATING ENGINE:



#### WARNING

READ AND COMPLY WITH ENTIRE OPERATING AND MAINTENANCE INSTRUCTIONS FOR THIS MACHINE, IN ADDITIONAL TO ALL SAFETY INSTRUCTIONS. FAILURE TO FOLLOW AND/OR COMPLY WITH THESE INSTRUCTIONS COULD RESULT IN LOSS OF MACHINE CONTROL, SERIOUS PERSONAL INJURY OR DEATH TO YOU AND/OR BYSTANDERS, AND EQUIPMENT AND PROPERTY DAMAGE. OPERATE THE ENGINE ACCORDING TO THE SAFETY INSTRUCTIONS OUTLINED HERE AND INSERTED THROUGHOUT THE TEXT. ANYONE WHO USES THIS MACHINE MUST READ THE INSTRUCTIONS AND BE FAMILIAR WITH THE CONTROLS.



#### WARNING

WARNING INDICATES A HAZARD WHICH, IF NOT AVOIDED, COULD RESULT IN DEATH OR SERIOUS INJURY AND/OR PROPERTY DAMAGE.



#### CAUTION

CAUTION INDICATES YOU CAN BE HURT OR YOUR EQUIPMENT DAMAGED IF THE SAFETY INSTRUCTIONS THAT FOLLOW THIS SIGNAL WORD ARE NOT OBEYED.



#### IMPORTANT

INDICATES HELPFUL INFORMATION FOR PROPER ASSEMBLY, OPERATION, OR MAINTENANCE OF YOUR EQUIPMENT.



#### WARNING

##### CALIFORNIA PROPOSITION 65 WARNING

ENGINE EXHAUST FROM THIS PRODUCT CONTAINS CHEMICALS KNOWN TO THE STATE OF CALIFORNIA TO CAUSE CANCER, BIRTH DEFECTS, OR OTHER REPRODUCTIVE HARM.



#### WARNING

CERTAIN COMPONENTS IN THIS MACHINE AND ITS RELATED ACCESSORIES CONTAIN CHEMICALS KNOWN TO THE STATE OF CALIFORNIA TO CAUSE CANCER, BIRTH DEFECTS, OR OTHER REPRODUCTIVE HARM. WASH HANDS AFTER HANDLING.

## GENERAL SAFETY RULES

- Read, understand, and follow all instructions on the machine and in the manual(s). Be thoroughly familiar with the controls and the proper use of the machine before starting.
- Use this equipment for its intended purpose only.
- Familiarize yourself with all of the safety and operating decals on this equipment and on any of its attachments or accessories.
- Do not put hands or feet near or under rotating parts.
- Only allow responsible individuals who are familiar with the instructions to operate the machine. Do not allow children to operate this machine. Do not allow adults to operate the machine without proper instruction.
- Thoroughly inspect the area where the machine is to be used and remove all foreign objects. Your equipment can propel small objects at high speed causing personal injury or property damage. Stay away from breakable objects such as house windows.
- Wear appropriate clothing such as a long-sleeved shirt or jacket. Also wear long trousers or slacks. Do not wear shorts. Never wear sandals, sneakers, or open shoes, and never operate the machine with bare feet.
- Do not wear loose clothing or jewelry. They can get caught in moving parts. Always keep hands, feet, hair and loose clothing away from any moving parts on engine and machine.
- Always wear safety goggles or safety glasses with side shields when operating the machine to protect your eyes from foreign objects which can be thrown from the unit. Always wear a protective hearing device.
- Always wear work gloves and sturdy footwear. Wear footwear that will improve footing on slippery surfaces. Leather work shoes or short boots work well for most people. These will protect the operator's ankles and shins from small sticks, splinters, and other debris.
- It is advisable to wear protective headgear to prevent the possibility of being struck by small flying particles, or being struck by low hanging branches, twigs, or other objects which may be unnoticed by the operator.
- Do not operate the machine without proper guards or other safety devices in place.
- See Earthquake instructions for proper operation and installation of accessories. Only use accessories approved by Earthquake.
- Operate only in daylight or good artificial light.
- Do not operate machine when fatigued or under the influence of alcohol, drugs or other medication which can cause drowsiness or affect your ability to operate this machine safely.

- Never operate machine in wet grass. Always be sure of your footing; keep a firm hold on the handle and walk; never run.
- Watch for traffic when operating near, or when crossing roads.
- If the equipment should start to vibrate abnormally, stop the engine (motor), disconnect the spark plug wire and prevent it from touching the spark plug. Check immediately for cause. Vibration is generally a warning of trouble. If the noise or vibrations of the machine increase, stop immediately and perform an inspection.
- Never leave the machine unattended when the engine is running.
- Regularly inspect the machine. Make sure parts are not bent, damaged or loose.
- Temperature of muffler and nearby areas may exceed 150° F (65° C). Allow muffler and engine areas to cool before touching. Never pick up or carry the machine while the engine is running.
- Prolonged exposure to noise and vibration from gasoline engine-powered equipment should be avoided. Take intermittent breaks and/or wear ear protection from engine noise as well as heavy work gloves to reduce vibration in the hands.
- Keep all screws, nuts and bolts tight.
- Do not transport the machine from one place to another with the engine running.
- Check local regulations for age restrictions on use of this machine.

## PRODUCT-SPECIFIC SAFETY RULES

- Do not drill above underground utilities, including water lines, gas lines, electric cables, or pipes. Do not operate the powerhead and earth auger in soil with large rocks and foreign objects which can damage the equipment.
- After striking a foreign object, stop the engine. Remove the wire from the spark plug. Inspect the powerhead and auger for damage. If damaged, repair before starting and operating the powerhead and auger.
- The auger should not rotate when the engine is idling. If it does rotate when engine is idling, contact Earthquake for instructions.
- If an object becomes lodged in the auger, turn the engine off, remove the wire from the spark plug and secure away from the spark plug; allow to cool before attempting to remove the foreign object.
- The earth blade is very sharp. Use extreme caution when drilling a hole or replacing the blade.
- Do not carry the earth auger unit between holes with the engine running.

## ENGINE SAFETY PRECAUTIONS

### Warning Carbon Monoxide Poisoning

Engines give off carbon monoxide, an odorless, colorless, poison gas. Carbon monoxide may be present even if you do not smell or see any engine exhaust. Breathing carbon monoxide can cause nausea, fainting or death, in addition to drowsiness, dizziness and confusion. If you experience any of these symptoms, seek fresh air and medical attention immediately.

If your machine comes with a separate engine manual, be sure to read and follow all safety and warning precautions outlined there, in addition to any in this manual.

### Preventing Carbon Monoxide Poisoning

- Always start and run engine outdoors. Do not start or run engine in an enclosed area, even if doors or windows are open.
- Never try to ventilate engine exhaust indoors. Carbon monoxide can reach dangerous levels very quickly.
- Never run engine outdoors where exhaust fumes may be pulled into a building.
- Never run engine outdoors in a poorly ventilated area where the exhaust fumes may be trapped and not easily taken away. (Examples include: in a large hole or areas where hills surround your working area.)
- Never run engine in an enclosed or partially enclosed area. (Examples include: buildings that are enclosed on one or more sides, under tents, car ports or basements.)
- Always run the engine with the exhaust and muffler pointed in the direction away from the operator.
- Never point the exhaust muffler towards anyone. People should always be many feet away from the operation of the engine and its attachments.
- Do not change the engine governor settings or over-speed the engine.

### Gasoline Fires and Handling Fuel Safely

Use extra care in handling gasoline and other fuels. They are flammable and vapors are explosive.

- When storing extra fuel be sure that it is in an appropriate container and away from any fire hazards.
- Prevent fire and explosion caused by static electric discharge. Use only nonmetal, portable fuel containers approved by the Underwriter's Laboratory (U.L.) or the American Society for Testing & Materials (ASTM).
- Always fill fuel tank outside in a well ventilated area. Never fill your fuel tank with fuel indoors. (Examples include: basement, garage, barn, shed, house, porch, etc.) Never fill tank near appliances with pilot lights, heaters, or other

## WARNING

**ENGINES GIVE OFF CARBON MONOXIDE, AN ODORLESS, COLORLESS, POISON GAS. CARBON MONOXIDE MAY BE PRESENT EVEN IF YOU DO NOT SMELL OR SEE ANY ENGINE EXHAUST. BREATHING CARBON MONOXIDE CAN CAUSE NAUSEA, FAINTING OR DEATH, IN ADDITION TO DROWSINESS, DIZZINESS AND CONFUSION.**

**IF YOU EXPERIENCE ANY OF THESE SYMPTOMS, SEEK FRESH AIR AND MEDICAL ATTENTION IMMEDIATELY.**

## CAUTION

**HOT GASES ARE A NORMAL BY-PRODUCT OF A FUNCTIONING CATALYTIC CONVERTER. FOLLOW ALL SAFETY INSTRUCTIONS TO PREVENT BURNS AND FIRES.**

### **DO NOT ALTER/MODIFY ENGINE:**

**NEVER ALTER OR MODIFY THE ENGINE FROM THE FACTORY. SERIOUS INJURY OR DEATH MAY OCCUR IF ENGINE IS MODIFIED OR ALTERED.**

**WHEN WORKING ON OR REPLACING PARTS FOR THE ENGINE OR MACHINE, YOU MUST ALWAYS DISCONNECT THE SPARK PLUG WIRE FROM THE SPARK PLUG AND KEEP IT AWAY FROM THE SPARK PLUG.**

ignition sources. If the fuel has to be drained, this should be done outdoors. The drained fuel should be stored in a container specifically designed for fuel storage or it should be disposed of carefully.

- Never remove the fuel cap or add fuel with the engine running. Stop engine and allow to cool before filling.
- Do not smoke while refueling or operating engine.
- Never drain fuel from the engine in an enclosed area.
- Always wipe up excess (spilled) fuel from engine before starting. Clean up spilled fuel immediately. If fuel is spilled, do not start the engine but move machine and fuel container from area. Clean up spilled fuel and allow to evaporate and dry after wiping and before starting.
- Allow fuel fumes/vapors to escape from the area before starting engine.
- Test the fuel cap for proper installation before starting and using engine.
- Always run the engine with fuel cap properly installed on the engine.

- Do not store engine with fuel in the fuel tank indoors. Fuel and fuel vapors are highly explosive.
- During storage, keep machine so gas cap is up.
- Never siphon fuel by mouth to drain fuel tank.
- Always have an adult fill the fuel tank and never allow children to fill the engine.
- Never allow an adult or anyone under the influence of drugs or alcohol to fill engine.
- When storing gasoline or equipment with fuel in the tank, store away from furnaces, stoves, water heaters or other appliances that have a pilot light or other ignition source because they can ignite gasoline vapors.

### **BURNS AND FIRES**

The muffler, muffler guard and other parts of the engine become extremely hot during the operation of the engine. These parts remain extremely hot after the engine has stopped.

#### **Prevention of Burns and Fires**

- Never remove the muffler guard from the engine.
- Never touch the muffler guard because it is extremely hot and will cause severe burns.
- Never touch parts of the engine that become hot after operation.
- Always keep materials and debris away from muffler guard and other hot parts of the engine to avoid fires.

### **CHILDREN AND BYSTANDERS**

Tragic accidents can occur if the operator is not alert to the presence of children and/or bystanders. Never assume that others will remain where you last saw them.

- Keep the area of operation clear of all persons, especially small children and pets. Keep children under the watchful care of a responsible adult.
- Be alert and turn the machine off if children enter the area.
- Before and while moving backwards, look behind and down for small children.
- Never allow children to operate the machine

### **AUGER SAFETY RULES**

- Carry powerhead and auger by handle bars only, NOT by auger.
- Keep all body extremities, loose clothing and foreign objects clear of rotating auger.
- Be sure auger is securely attached to powerhead during use.
- Never carry auger between holes with the engine running.
- This auger is not designed to be utilized as an anchoring device.

### **SERVICE**

- Always stop the engine whenever you leave the machine, before cleaning, repairing or inspecting the unit. The engine should be turned off and cool, the spark plug wire must be removed from the spark plug before any repairs or adjustments are attempted. Never make adjustments or repairs with the engine (motor) running. Disconnect the spark plug wire, and keep the wire away from the plug to prevent accidental starting. Remove the ignition key if equipped with an electric start.
- Always wear eye protection when you make adjustments or repairs.
- Keep all nuts and bolts tight and keep equipment in good condition.
- Never tamper with safety devices. Check their proper operation regularly.
- When servicing or repairing the machine, do not tip the machine over or up unless specifically instructed to do so in this manual. Service and repair procedures can be done with the machine in an upright position. Some procedures will be easier if the machine is lifted on a raised platform or working surface.
- To reduce fire hazard, keep machine free of grass, leaves, or other debris build-up. Clean up oil or fuel spillage. Allow machine to cool before storing.
- Stop and inspect the equipment if you strike an object. Repair, if necessary, before restarting.
- Clean and replace safety and instruction decals as necessary.
- To guard against engine over-heating, always have engine debris filter mounted and clean.
- Inspect the machine before storage. When not in use, disconnect the spark plug lead and store indoors in a dry place locked or otherwise inaccessible to children.
- Use only original equipment parts from Earthquake, including all nuts and bolts.

## SAFETY SYMBOLS AND DECALS

This powerhead has been designed and manufactured to provide you with the safety and reliability you would expect from an industry leader in outdoor power equipment manufacturing.

Reading this manual and the safety instructions it contains will provide you with the necessary basic knowledge to operate this equipment safely and effectively. We have placed a safety decal on the powerhead to remind you of some of this important information while you are operating the unit. These important safety messages are illustrated below, and are shown here to help familiarize you with the location and content of the safety messages you will see as you perform normal drilling operations. Review these decals now, and if you have any questions regarding their meaning or how to comply with these instructions, reread the complete safety instruction text in this manual. For additional questions European customers may contact their local dealer while US customers must contact Earthquake customer service.

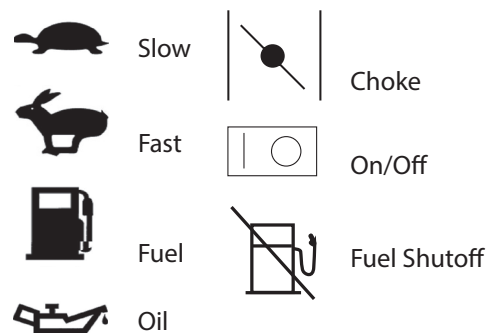
Should a decal become unreadable because of being worn, faded, or otherwise damaged during the use of your powerhead, use the part number information provided in the illustrated parts breakdown to order a replacement label. European customers can order from their local authorized dealer while US customers can order by contacting Earthquake customer service. These decals are easily applied, and will act as a constant visual reminder to you, and others who may use the equipment, to follow the safety instructions necessary for safe, effective operation of your powerhead.

The following symbols may be used on your engine to alert you to potential hazards or to give you guidance in operating your powerhead. Look over them and understand their meanings before operating your powerhead.

### Safety or Hazard Symbols



### Operational Control Symbols



## ASSEMBLY

### TOOLS REQUIRED:

- Two (2) 9/16" Wrenches

### ASSEMBLY INSTRUCTIONS: (SEE FIGURE 1)

1. Insert the output shaft of the transmission (A) in the open end of the Flex Coil ShockTop (B).
2. Line up the bolt holes through the Flex Coil ShockTop and the output shaft of the transmission.
3. Place the included 3/8-16 x 1.5 inch bolt (C) through the bolt hole.
4. Hand-thread the 3/8-16 nut (D) on the bolt.
5. Using two 9/16 inch wrenches, securely tighten the nut and bolt.  
E43 and EA8F shown. Instructions also apply to EA6F and EA10F augers.
6. Hand thread fishtail point (E) in bottom open end of auger stem (F) if not already installed.

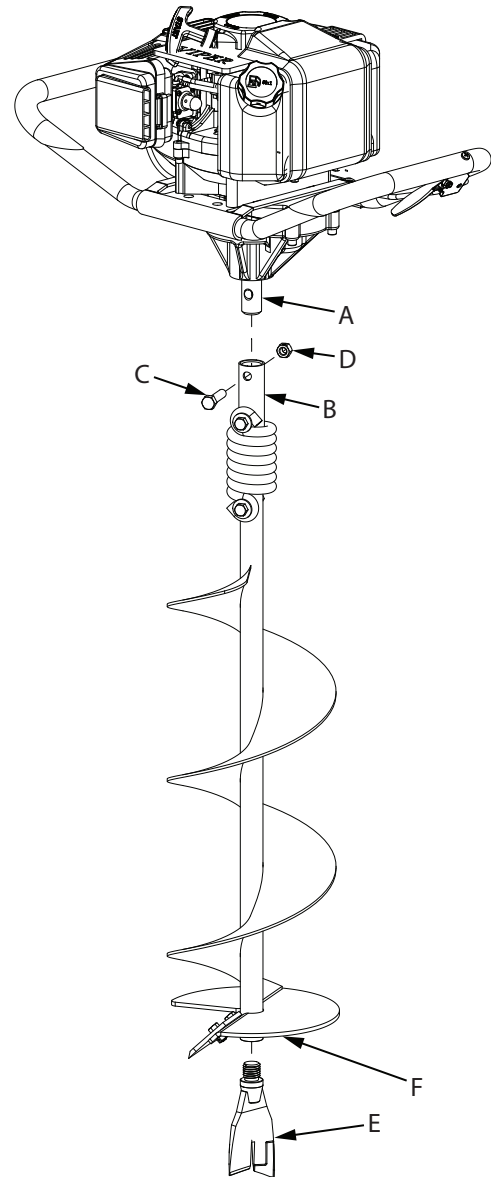


Figure 1 - One Man Model Shown

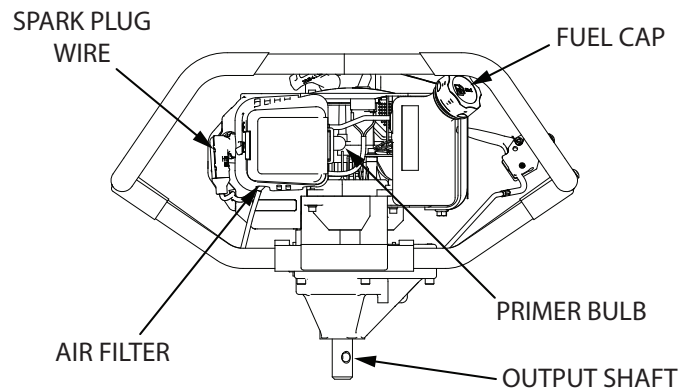
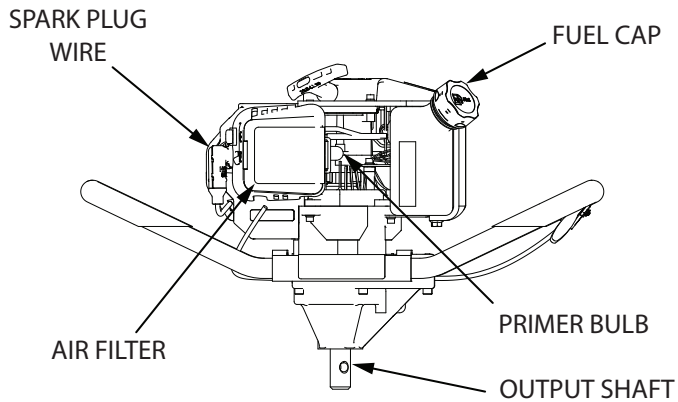
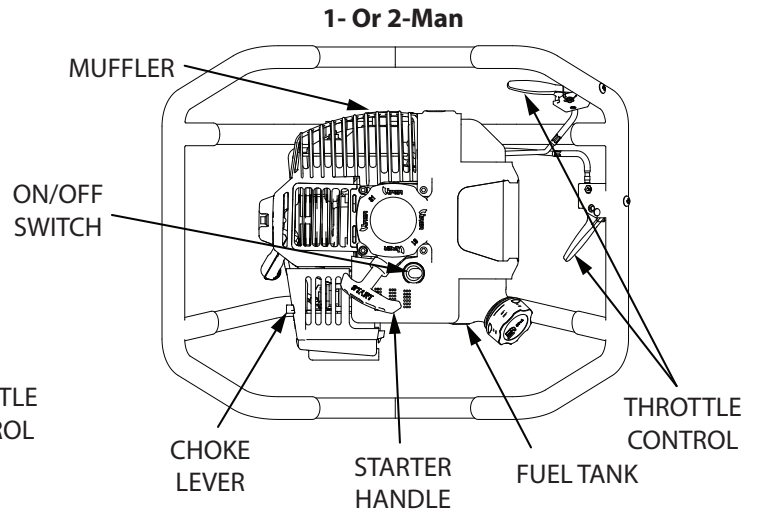
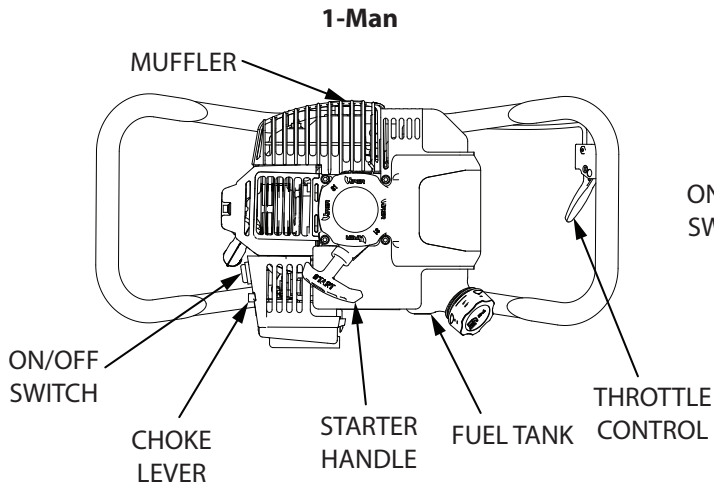
### WARNING

**DO NOT REFUEL WHILE SMOKING, NEAR OPEN FLAME, OR OTHER POTENTIAL HAZARDS.**

**FUEL IS HIGHLY FLAMMABLE AND MUST BE HANDLED WITH CARE. NEVER FILL THE TANK WHEN THE ENGINE IS HOT OR RUNNING. ALWAYS MOVE OUTDOORS TO FILL THE TANK.**



## POWERHEAD FEATURES:



## OPERATION

### GAS AND OIL QUALITY

To operate the engine, we recommend using Viper® brand 2-cycle oil to ensure that the engine operates correctly throughout the life of the engine. Viper® brand two-cycle oil has fuel stabilizer additive which helps to prevent gasoline from oxidizing and gumming up the carburetor when the unit is not in use for long periods of time. Use unleaded regular gas only. It is best to use premium gasoline that has no ethanol content.

**NOTE: Viper® oil can be purchased from our web site at [www.getearthquake.com](http://www.getearthquake.com).**

### MIXTURE

Run earth auger with a 50:1 ratio.

GAS	OIL	RATIO
1 gallon	2.5 ounces	50:1
2 gallons	5 ounces	50:1
5 gallons	13 ounces	50:1

### MIXING FUEL AND FILLING GAS TANK

#### MIXING FUEL

1. Fuel must be mixed in a container outside in a well ventilated area.
2. Fill certified fuel container 1/4 full of recommended fuel.
3. Add recommended amount of 2 cycle oil.
4. Screw container cap on straight and tight.
5. Shake the container to mix fuel and oil.
6. Unscrew gas cap slowly to vent, add the remainder of fuel requirements.
7. Wipe away any spilled fuel or oil and allow to evaporate before moving or transporting.

#### FILLING FUEL TANK

1. Shut-off engine and allow engine to completely cool before refilling the fuel tank.
2. Move to a well-ventilated area, outdoors, away from flames and sparks.
3. Clean debris from area around the fuel cap.
4. Loosen fuel cap slowly.
5. Carefully add fuel without spilling.
6. Do not fill fuel tank completely full; allow space for fuel to expand.
7. Immediately replace fuel cap and tighten. Wipe off spilled fuel and allow to dry before starting engine.

### CAUTION

#### **DO NOT ALTER/MODIFY ENGINE OR AUGER:**

**NEVER ALTER OR MODIFY THE ENGINE FROM THE FACTORY. SERIOUS INJURY OR DEATH MAY OCCUR IF ENGINE IS MODIFIED OR ALTERED.**

**WHEN WORKING ON OR REPLACING PARTS FOR THE ENGINE OR AUGER YOU MUST ALWAYS DISCONNECT THE SPARK PLUG WIRE FROM THE SPARK PLUG AND KEEP IT AWAY FROM THE SPARK PLUG.**

**ALWAYS WEAR HEARING PROTECTION WHILE OPERATING ENGINE.**

**DO NOT START YOUR EARTH AUGER UNTIL YOU HAVE READ THE PREVIOUS SECTION OF THIS MANUAL. IF YOU HAVE READ THESE, FOLLOW THE STEPS BELOW TO START YOUR EARTH AUGER.**

**NEVER STORE ENGINE WITH GAS IN THE TANK INDOORS. FUEL AND FUEL VAPORS ARE HIGHLY FLAMMABLE.**

**NEVER MIX FUEL AND OIL DIRECTLY IN ENGINE GAS TANK. USE ONLY NON-METAL, PORTABLE FUEL CONTAINERS APPROVED BY THE UNDERWRITER'S LABORATORY (U.L.) OR THE AMERICAN SOCIETY FOR TESTING & MATERIALS (ASTM).**

**HANDLING AND FILLING THE ENGINE WITH FUEL MUST ALWAYS BE DONE BY AN ADULT.**

**ALWAYS HANDLE FUEL IN A WELL VENTILATED AREA, OUTDOORS, AWAY FROM FLAMES OR SPARKS.**

### IMPORTANT

**THIS ENGINE USES A GAS/OIL MIXTURE. DO NOT RUN ON STRAIGHT GAS ONLY. THIS WILL VOID THE WARRANTY AND ENGINE DAMAGE WILL RESULT.**

### NORMAL OPERATION

1. The clutch will transfer maximum power after about two hours of normal operation. During this break-in period, clutch slippage may occur. The clutch should be kept free of oil or other moisture for efficient operation.
2. Drill holes without placing excessive body weight on the unit. The auger operates most efficiently with a shaving action caused by the weight of the unit itself.
3. Never run engine indoors. Exhaust fumes are deadly.
4. Do not use an earth auger in the ice.

## STARTING AND STOPPING ENGINE

- Move engine to a well ventilated area, outdoors, to prevent carbon monoxide poisoning.
- Move to an area away from flames or sparks, to avoid ignition of vapors if present.
- Remove all debris from air cleaner holes and gas cap to ensure proper air flow.

### COLD ENGINE START

Starting engine for first time or after engine has cooled off or after running out of fuel.

1. Move choke lever to **CHOKE** position.

**NOTE: CHOKE position is defined by moving the choke lever as far to the CHOKE position as possible.**

2. Prime unit until primer hose is filled with gas.

**NOTE: When using the primer bulb, allow the bulb to return completely to its original position between pushes.**

3. Push **ON/OFF** switch to the **ON** position.
4. Hold handle bar firmly. Grasp starter handle and pull out slowly, until it pulls slightly harder. Without letting starter handle retract, pull rope with a rapid full arm stroke. Let it return to its original position very slowly until unit fires or runs. Repeat this step every time the starter rope is pulled.

**NOTE: If engine fails to start after 5-6 pulls, push primer 1 time and pull starter rope again.**

5. Once running, move choke lever to **HALF CHOKE** position until unit runs smoothly.

**NOTE: HALF CHOKE is defined when the choke lever is between CHOKE and RUN.**

6. Move choke lever to **RUN** position and move throttle to desired speed.

**NOTE: Run at full throttle when possible. Do not let unit idle for extended periods of time.**

7. To stop engine, push **ON/OFF** switch to **OFF** position.

### WARM ENGINE START

1. Move choke lever to **CHOKE** position.

**NOTE: CHOKE position is defined by moving the choke lever as far to the CHOKE position as possible.**

2. Continue with Step 4 of Cold Engine Starting.

## CAUTION

**MAKE SURE THE UNIT IS IN A STABLE POSITION BEFORE PULLING THE STARTER HANDLE.**

**ALWAYS HANDLE FUEL IN A WELL VENTILATED AREA, OUTDOORS, AWAY FROM FLAMES OR SPARKS.**

**ALWAYS WEAR A PROTECTIVE HEARING DEVICE.**

**DO NOT START ENGINE IF FUEL IS SPILLED. WIPE OFF EXCESS FUEL AND ALLOW TO DRY. REMOVE ENGINE FROM AREA TO AVOID SPARKS.**

**IF AUGER IS MOUNTED TO ENGINE, ALL SAFETY GUARDS MUST BE SECURELY ON TO AVOID SERIOUS INJURY.**

**STARTER ROPE CAN CAUSE AN UNANTICIPATED JERK TOWARDS ENGINE. FOLLOW INSTRUCTIONS TO AVOID INJURY.**

**IF ENGINE FAILS TO START AFTER TRYING STARTING PROCEDURES, CONTACT OUR CUSTOMER SERVICE DEPARTMENT AT 800-345-6007.**

**NEVER LEAVE ENGINE RUNNING WHILE UNATTENDED. TURN OFF AFTER EVERY USE.**

**NEVER CARRY POWERHEAD AND AUGER BETWEEN HOLES WHILE ENGINE IS RUNNING.**

### HOT ENGINE START:

1. Begin with Step 4 of Cold Engine Starting.
2. If engine does not fire, refer to Step 1 of Warm Engine Starting.

### **DO NOT attempt to start engine in the following ways:**

- **By using starting fluid.**
- **Spraying flammable liquids or vapors into air cleaner, carburetor or spark plug chamber.**
- **Removing spark plug and pull on starter rope. Flammable fuel can spray out and ignite from a spark from spark plug.**

### TO STOP ENGINE:

Push the **ON/OFF** switch to the **OFF** position.

## WARNING

**MAKE SURE THE UNIT IS IN A STABLE POSITION BEFORE PULLING THE STARTER HANDLE.**

**WHEN THE UNIT STARTS TO FIRE OR RUN, RELEASE THE THROTTLE CONTROL MOMENTARILY WITH YOUR RIGHT HAND AND RETURN YOUR LEFT HAND TO THE HANDLEBAR POSITION TO MAINTAIN CONTROL AND STABILITY OF THE UNIT WITH BOTH HANDS.**

## MAINTENANCE AND STORAGE

### STEPS FOR WORKING ON EQUIPMENT

1. Turn off engine switch.
2. Disconnect the spark plug wire from the spark plug.
3. Securely place the disconnected spark plug wire away from the spark plug and any metal parts. This must always be done or arcing may occur between spark plug wire and metal parts.
4. Replace or repair the part on the powerhead.
5. Check all parts that were repaired, or removed during repair, that they are secure and fit correctly.

**NOTE: All repair parts must come from the factory. Never replace parts that are not specifically designed for the powerhead.**

6. Reconnect the spark plug wire.

### POWER AUGER MAINTENANCE

1. The gear case has 4 oz. of grease installed at the factory. It is recommended that every 50 hours the gear case be split and the grease level checked. Add grease only if level of grease is below top of the gears. **DO NOT OVERFILL.** Replacement grease is available online per parts breakdown.
2. Keep all screws, nuts, and bolts tight.
3. For cold weather operation, store the unit in a cool environment. Transferring the unit from a warm to a cold place can cause the build up of harmful condensation.
4. If auger performance decreases, carefully inspect cutting edge of blade for any signs of wear. If blades show any of these signs, they need to be replaced.

### ENGINE MAINTENANCE

Refer to engine warranty manual included with your product for maintenance schedule.

Good maintenance is essential for safe, economical, and trouble-free operation. It will also help reduce air pollution. To help you properly care for your engine, the following pages include a maintenance schedule, routine inspection procedures, and simple maintenance procedures using basic hand tools. Other service tasks that are more difficult, or require special tools, are best handled by professionals and are normally performed by a technician or other qualified mechanic.

**Maintenance, replacement or repair of the emissions control devices and systems may be performed by any non-road engine repair establishment or individuals. However, items must be serviced by an authorized dealer to obtain "no charge" emissions control service.**

### CAUTION

**TO PREVENT ACCIDENTAL STARTING: ENGINE MUST BE TURNED OFF AND COOL, AND SPARK PLUG WIRE MUST BE REMOVED FROM SPARK PLUG BEFORE CHECKING AND ADJUSTING ENGINE OR EQUIPMENT.**

**TEMPERATURE OF MUFFLER AND NEARBY AREAS MAY EXCEED 150° F. (65° C). AVOID THESE AREAS.**

**CHECK AUGER OFTEN FOR LOOSE NUTS AND BOLTS. KEEP THESE ITEMS TIGHTENED.**

**NEVER STORE ENGINE WITH FUEL IN THE TANK INSIDE A BUILDING. POTENTIAL SPARKS MAY BE PRESENT FOR IGNITION OF FUEL AND FUEL VAPORS.**

**ANY MAINTENANCE AND REPAIR ON THE ENGINE AND AUGER MUST ALWAYS BE DONE BY AN ADULT.**

**ENGINE MUST BE SHUT-OFF, COOL, AND SPARK PLUG WIRE REMOVED BEFORE ANY REPAIR OR MAINTENANCE CAN BE DONE.**

### COOLING FINS

Cooling fins, air inlets and linkages must be free from any debris before each use.

### AIR FILTER

Never run engine without air cleaner properly installed. Added wear and engine failure may occur if air cleaner is not installed on engine.

Service air cleaner every 3 months or after 20 hours of operation.  
**Clean filter daily in extremely dusty conditions.**

### IMPORTANT

**NEVER TWIST AIR FILTERS WHEN CLEANING. ALWAYS PRESS.**

## STEPS FOR CLEANING BLOCK STYLE FOAM AIR FILTER

1. Before removing the air filter cover, move the choke lever to the choke position. **SEE FIGURE 2.**
2. To remove air filter cover, squeeze the latch tabs on both sides of the cover. **SEE FIGURE 3.**
3. Once the latch tabs are released, remove the air filter cover by rotating the cover away from the engine. **SEE FIGURE 4.**
4. Remove the foam filter element (**SEE FIGURE 5**) and replace with a new oiled filter, or clean the original foam filter with warm water and mild soap by following the previous steps for Cleaning Air Filter. Remember to thoroughly oil the foam filter with 30 or 40 weight motor oil and squeeze out any excess oil.
5. Reinstall the foam filter, pressing it in place to ensure that the foam is fully seated into its sealed position.
6. Replace the air filter cover so that it fully snaps into place and is secured by the latch tabs. Check that the cover is securely attached by pulling slightly on the cover. If the cover doesn't move when pulled, it is secure. **SEE FIGURE 6.**

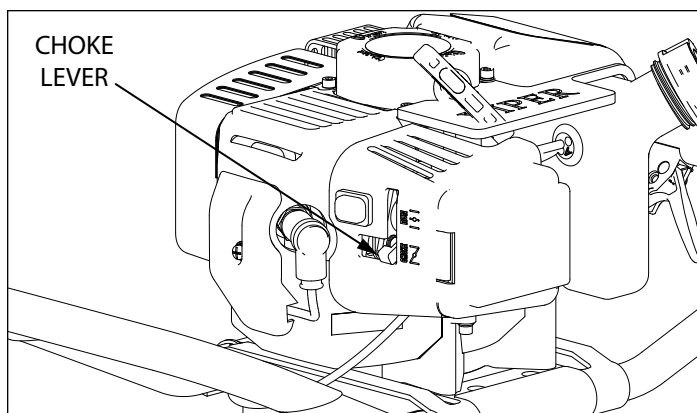


Figure 2

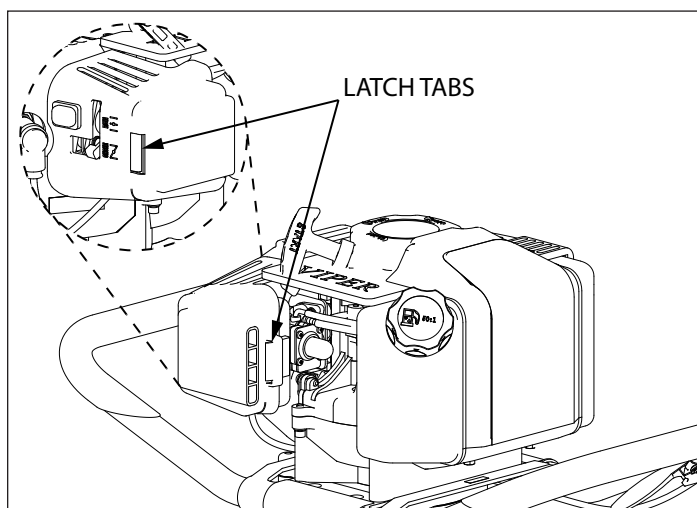


Figure 3

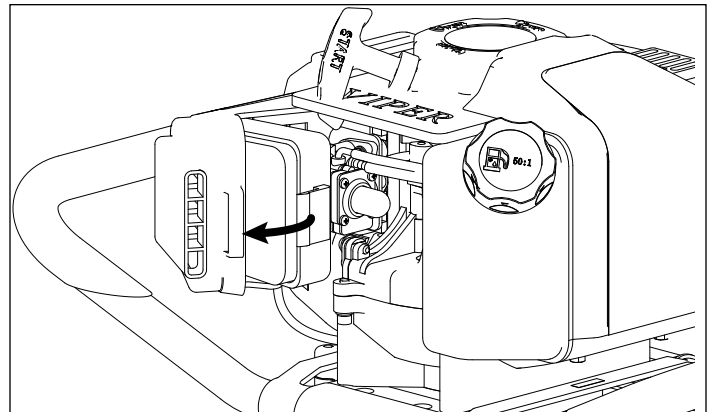


Figure 4

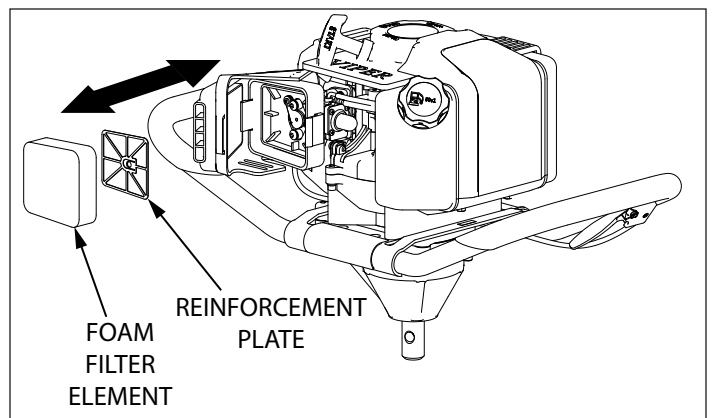


Figure 5

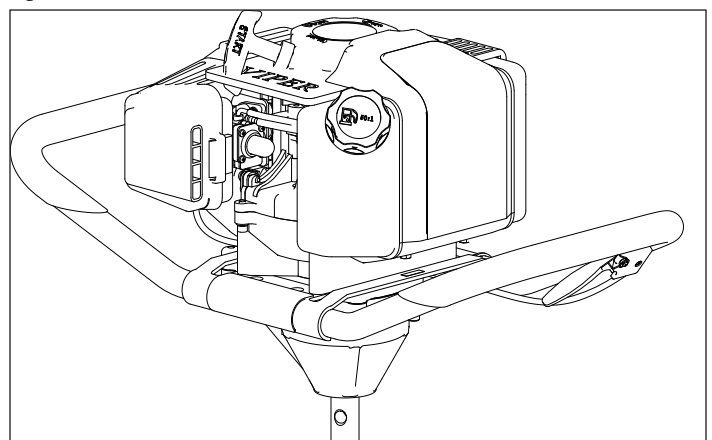


Figure 6

One Man Model Shown

## SPARK PLUG

See parts breakdown for recommended spark plug.

1. Check spark plug at the beginning of each season.
2. Disconnect the spark plug cap, and clean any debris from around the spark plug area.
3. Remove spark plug and replace if any of the following occur; pitted electrodes, burned electrodes, cracked porcelain, or deposits around electrodes.
4. After analysis, seat spark plug and tighten with spark plug wrench.
  - Reinstall original spark plug, tighten additional 1/2 turn.
  - Installing new spark plug, adjust spark plug gap to .028" and tighten additional 1/8 – 1/4 turn .

**NOTE: Loose spark plug may overheat and damage engine. Over tightened spark plug may damage threads in the cylinder head.**

## CARBURETOR

Never tamper with factory setting of the carburetor.

## TRANSPORTING YOUR EARTH AUGER

1. Never transport engine inside an enclosed space or vehicle. Fuel or fuel vapors may ignite causing serious injury or death.
2. If fuel is present in the fuel tank, transport in an open vehicle in an upright position.
3. If an enclosed vehicle must be used, remove gas into an approved red fuel container. **DO NOT siphon by mouth.**
4. Run engine to use up the fuel in the carburetor and fuel tank. Always run engine in a well ventilated area.
5. Wipe away any spilled fuel from engine and earth auger. Allow to dry.

## LONG-TERM STORAGE (30 DAYS OR MORE WITHOUT USE)

If your earth auger will not be used for more than one month, prepare it for long term storage.

### STEPS FOR LONG-TERM STORAGE

1. Add fuel stabilizer according to manufacturer's instructions.
2. Run engine for 10-15 minutes to ensure that the stabilizer reaches the carburetor.
3. Remove the remainder of the fuel from the gas tank into an approved fuel container.
4. Remove auger from powerhead and apply a thin layer of grease to the output shaft of the transmission.
5. Store auger and powerhead (engine) in a vertical position.
6. Remove all debris from auger and powerhead (engine).

## CAUTION

**TO AVOID INJURY OR DEATH, NEVER SIPHON FUEL BY MOUTH.**

**NEVER STORE EARTH AUGER WITH FUEL IN THE GAS TANK INSIDE AN ENCLOSED AREA OR BUILDING.**

**TO PREVENT ACCIDENTAL STARTING:  
ENGINE MUST BE TURNED OFF AND COOL, AND SPARK PLUG WIRE MUST BE REMOVED FROM SPARK PLUG BEFORE CHECKING AND ADJUSTING ENGINE OR EQUIPMENT.**

**MAINTENANCE AND REPAIR ON THE ENGINE AND AUGER MUST ALWAYS BE DONE BY AN ADULT.**

**ENGINE MUST BE SHUT-OFF, COOL, AND SPARK PLUG WIRE REMOVED BEFORE ANY REPAIR OR MAINTENANCE CAN BE DONE.**

## TROUBLESHOOTING AND REPAIR

At Earthquake, we build quality and durability into the design of our products; but no amount of careful design by us, and careful maintenance by you, can guarantee a repair-free life for your Earthquake powerhead. Most repairs will be minor, and easily fixed by following the suggestions in the troubleshooting guide in this manual.

The troubleshooting guide will help you pinpoint the causes of common problems and identify remedies.

For more complicated repairs, you may want to rely on an authorized service center or Earthquake. A parts breakdown is provided with this product.

We will always be glad to answer any questions you have, or help you find suitable assistance. To order parts or inquire about warranty, call or e-mail us using the contact information found under "Ordering Replacement Parts".

## ORDERING REPLACEMENT PARTS

Parts can be obtained directly from the factory. To order parts visit [www.getearthquake.com](http://www.getearthquake.com) or call 1-800-345-6007.

For other general questions, you can e-mail us at [info@ardisam.com](mailto:info@ardisam.com).

**IN CASE OF A SERVICE PROBLEM, DO NOT SEND PRODUCT BACK TO RETAILER. CONTACT EARTHQUAKE AT 800-345-6007.**

Include the following information with your order:

- 1) Part numbers
- 2) Part description
- 3) Quantity
- 4) Model number and serial number

## TROUBLESHOOTING

PROBLEM	POSSIBLE CAUSE	REMEDY/ACTION
Engine will not start	1. Power switch off	1. Flip switch to <b>ON</b> position
	2. Spark plug wire disconnected	2. Connect spark plug wire to spark plug
	3. Out of fuel	3. Refuel
	4. Spark plug wet, faulty or improperly gapped	4. Clean, replace or gap spark plug
	5. Fuel line hose not positioned in bottom of gas tank	5. Push fuel line down into fuel in gas tank
	6. Stale fuel	6. Drain old fuel and replace with fresh. Use fuel stabilizer for future preventative measures.
Engine runs rough, floods during operation	1. Dirty air filter	1. Clean or replace air filter
	2. Choke partially engaged	2. Turn off choke
	3. Carburetor out of adjustment	3. Call factory or take to authorized repair center
Engine is hard to start	1. Stale fuel	1. Drain old fuel and replace with fresh. Use gas stabilizer for future preventative measures.
	2. Spark plug wire loose	2. Make sure spark wire is securely attached to spark plug
	3. Dirty carburetor	3. Clean carburetor, use gas stabilizer, new gas can, or purchase carburetor replacement or repair kit per parts breakdown
	4. Carburetor not primed	4. Prime unit 3 more times, squeeze throttle when pulling recoil handle
Engine misses or lacks power	1. Clogged gas tank	1. Remove and clean
	2. Clogged air filter	2. Clean or replace
	3. Carburetor out of adjustment or bad	3. Call factory or take to authorized repair center
	4. Spark plug wet, faulty or improperly gapped	4. Clean, replace or gap spark plug
Engine runs, then quits	1. Gas cap not venting	1. Unscrew the gas cap and then re-tighten gas cap
	2. Plugged fuel filter	2. Clean or replace
	3. Carburetor out of adjustment or bad	3. Call factory or take to authorized repair center
Engine revs too high	1. Carburetor out of adjustment or air leak in the intake	1. Call factory or take to authorized repair center
Auger turns at idle	1. Idle speed too high	1. Adjust idle speed lower
	2. Broken clutch spring	2. Replace spring
Auger turns, but has no power	1. Choke on	1. Turn off choke after engine is running
	2. Carburetor out of adjustment	2. Call factory or take to authorized repair center
	3. Broken transmission	3. Call factory or take to authorized repair center
	4. Worn clutch shoes	4. Replace clutch shoes and spring
Auger jumps	1. Blade damaged	1. Replace with new blade
Auger cuts slowly	1. Dull blade	1. Replace with new blade
	2. Damaged fishtail point	2. Replace fishtail point

**Contact customer service if above remedies fail.**

## INTRODUCCIÓN

Felicitaciones por su inversión en calidad. Gracias por comprar un Tornillo de tierra, cabezal de potencia E43™ de Earthquake™. Hemos trabajado para asegurarnos de que el tornillo de tierra, cabezal de potencia cumpla con las normas más altas de uso y durabilidad. Con el cuidado adecuado, su tornillo de tierra, cabezal de potencia le proporcionará muchos años de servicio.

**Lea este manual completo antes de la instalación y uso. Earthquake se reserva el derecho de cambiar, alterar o mejorar el producto y este documento en cualquier momento y sin previo aviso.**

## CONTENIDO

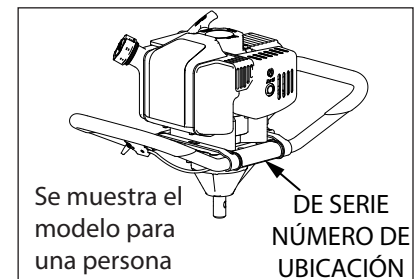
Introducción.....	16
Advertencias y precauciones de seguridad.....	17-21
Montaje.....	22
Características del cabezal de potencia.....	23
Operación.....	24-26
Mantenimiento y almacenamiento.....	27-29
Solución de problemas y reparación.....	29-30

## INFORMACIÓN FEDERAL SOBRE EMISIONES

Ardisam garantiza al comprador minorista que este pequeño motor todo terreno se diseñó, fabricó y equipó para cumplir, al momento de la fabricación, todas las normas vigentes de la Agencia de Protección Ambiental (EPA, Environmental Protection Agency) de EE. UU. y las de la Junta de Recursos del Aire de California (CARB, California Air Resources Board), cuando corresponda.

## INSCRIPCIÓN Y SERVICIO

Registre el número de modelo y número de serie en el espacio que se proporciona para facilitar su consulta cuando solicite piezas o asistencia técnica. Sin incluir los elementos de garantía relacionados con las emisiones, la garantía es válida solo si Earthquake recibe la inscripción llena dentro de 30 días a partir de la compra. **(PARA OBTENER MÁS INFORMACIÓN, CONSULTE LA SECCIÓN DE GARANTÍA).** Puede inscribir su garantía en línea en [www.getearthquake.com](http://www.getearthquake.com), o enviarla por correo a: Earthquake, 1160 Eighth Avenue, Cumberland, WI 54829. Si no tiene una computadora, llame a nuestro Departamento de Servicio al Cliente para inscribir el producto.



REGISTROS DE PROPIEDAD		
Nombre del propietario:		
Dirección del propietario:		
Ciudad:	Estado o provincia:	Código postal:
Número de modelo:	Número de serie:	
Fecha de la adquisición:		
Notas:		

Es posible que este manual contenga información para varios modelos. Lea y conserve este manual para futuras consultas. Este manual contiene información importante sobre SEGURIDAD, MONTAJE, FUNCIONAMIENTO Y MANTENIMIENTO. El propietario debe asegurarse de que toda la información del producto venga incluida con la unidad. Esta información incluye el MANUAL, las PIEZAS DE REPUESTO y las GARANTÍAS. Esta información debe estar incluida para asegurarse de que se cumplan las leyes estatales y otras leyes. Este manual debe permanecer con el producto, incluso si se revende.



## ADVERTENCIAS Y PRECAUCIONES DE SEGURIDAD

### RESPONSABILIDAD DEL OPERADOR


El uso preciso, seguro y eficaz de este producto es responsabilidad del operador.

- Lea y siga todas las instrucciones de seguridad.
- Realice mantenimiento a esta máquina de acuerdo con las indicaciones y el programa que se incluye en este manual del operador.
- Asegúrese de que las personas que usen la máquina estén familiarizadas y comprendan todos los controles y las precauciones de seguridad.

### MENSAJES DE SEGURIDAD

El manual contiene mensajes especiales para llamar su atención respecto de posibles inquietudes de seguridad o daños a la máquina, al igual que información útil de operación y mantenimiento. Lea cuidadosamente toda la información para evitar lesiones y daños a la máquina.

**NOTA:** *En el manual se entrega información general que puede ser útil para el operador en la operación o mantenimiento del producto.*

 Este símbolo indica instrucciones importantes de seguridad que si no se siguen, podrían poner en peligro su seguridad personal.

### ANTES DE OPERAR EL MOTOR:

#### ADVERTENCIA

LEA Y CUMPLA CON TODAS LAS INSTRUCCIONES DE OPERACIÓN Y MANTENIMIENTO DE ESTA MÁQUINA, ADEMÁS DE TODAS LAS INSTRUCCIONES DE SEGURIDAD. NO SEGUIR O CUMPLIR ESTAS INSTRUCCIONES PUEDE PROVOCAR LA PÉRDIDA DEL CONTROL DE LA MÁQUINA, LESIONES PERSONALES GRAVES O SU MUERTE Y LA DE QUIENES LO RODEAN, ADEMÁS DE DAÑOS AL EQUIPO Y A LA PROPIEDAD. OPERE EL MOTOR DE ACUERDO CON LAS INSTRUCCIONES DE SEGURIDAD QUE SE DESCRIBEN AQUÍ Y QUE SE ENCUENTRAN INSERTAS EN EL TEXTO. TODA PERSONA QUE USE ESTA MÁQUINA DEBE LEER LAS INSTRUCCIONES Y ESTAR FAMILIARIZADA CON LOS CONTROLES.

#### ADVERTENCIA

UNA ADVERTENCIA INDICA UN PELIGRO QUE, SI NO SE EVITA, PUEDE PROVOCAR LA MUERTE, LESIONES GRAVES O DAÑOS A LA PROPIEDAD.

#### PRECAUCIÓN

PRECAUCIÓN INDICA QUE SI NO SE SIGUEN LAS INSTRUCCIONES DE SEGURIDAD A CONTINUACIÓN DE ESTA PALABRA DE SEÑALIZACIÓN, USTED O EL EQUIPO PUEDEN RESULTAR DAÑADOS.

#### IMPORTANTE

INDICA INFORMACIÓN ÚTIL PARA UN ADECUADO MONTAJE, OPERACIÓN O MANTENIMIENTO DE SU EQUIPO.

#### ADVERTENCIA

##### PROPUESTA DE ADVERTENCIA 65 DE CALIFORNIA

EL ESCAPE DEL MOTOR DE ESTE PRODUCTO CONTIENE PRODUCTOS QUÍMICOS, QUE SEGÚN EL ESTADO DE CALIFORNIA PUEDEN PRODUCIR CÁNCER, DEFECTOS DE NACIMIENTO U OTROS DAÑOS REPRODUCTIVOS.

#### ADVERTENCIA

CIERTOS COMPONENTES DE ESTA MÁQUINA Y SUS ACCESORIOS RELACIONADOS CONTIENEN PRODUCTOS QUÍMICOS, QUE SEGÚN EL ESTADO DE CALIFORNIA PUEDEN PRODUCIR CÁNCER, DEFECTOS DE NACIMIENTO U OTROS DAÑOS REPRODUCTIVOS. LÁVESE LAS MANOS DESPUÉS DE MANIPULARLOS.

## REGLAS GENERALES DE SEGURIDAD

- Lea, comprenda y siga todas las instrucciones que aparecen en la máquina y en los manuales. Familiarícese completamente con los controles y con el uso adecuado de la máquina antes de arrancarla.
- Use este equipo solo para el propósito para el que fue diseñado.
- Familiarícese con todas las calcomanías de seguridad y de operación en este equipo y en cualquiera de sus acoplamientos o accesorios.
- No coloque las manos ni los pies cerca o debajo de piezas giratorias.
- Solo permita que personas responsables, que estén familiarizados con las instrucciones, operen la máquina. No permita que niños operen esta máquina. No permita que adultos operen la máquina sin la instrucción adecuada.
- Inspeccione completamente el área donde se va a usar la máquina y elimine todos los objetos extraños. El equipo puede lanzar objetos pequeños a alta velocidad, provocando lesiones personales o daños a la propiedad. Aléjese de los objetos que se rompan tales como ventanas de la casa.
- Use ropa adecuada, como una camisa o chaqueta con mangas largas. También use pantalones largos. No use pantalones cortos. Nunca use sandalias, zapatillas o zapatos abiertos y nunca opere la máquina con los pies descalzos.
- No use ropa suelta ni joyas. Estas pueden quedar atrapadas en piezas móviles. Siempre mantenga las manos, los pies, el cabello y la ropa suelta lejos de las piezas móviles del motor y de la máquina.
- Siempre use gafas o lentes de seguridad con protectores laterales cuando opere la máquina, para proteger sus ojos de objetos extraños que se puedan lanzar desde la unidad. Siempre use un dispositivo de protección auditiva.
- Siempre use guantes de trabajo y calzado resistente. Use calzado que mejore el equilibrio en superficies resbaladizas. Los zapatos de trabajo de cuero o las botas cortas funcionan bien para la mayoría de las personas. Estos protegerán los tobillos y canillas del operador de pequeños palos, astillas y otros residuos.
- Se aconseja usar casco protector para evitar la posibilidad de que lo golpeen pequeñas partículas que puedan ser expulsadas o que lo golpeen ramas o ramas pequeñas que cuelguen bajas, u otros objetos que puedan pasar inadvertidos por el operador
- No opere la máquina sin las protecciones adecuadas u otros dispositivos de seguridad en su lugar.
- Consulte las instrucciones de Earthquake para la operación e instalación adecuada de los accesorios. Solo use accesorios aprobados por Earthquake.
- Solo opere con luz de día o buena iluminación artificial.
- No opere la máquina cuando se sienta cansado o esté bajo la influencia del alcohol, drogas u otro medicamento que pueda provocar somnolencia o afectar su capacidad de operar esta máquina de manera segura.

- Nunca opere la máquina en el pasto húmedo. Siempre asegure su equilibrio; sujete firmemente el manubrio y camine; nunca corra.
- Tenga cuidado cuando opere cerca del tráfico o cuando cruce caminos.
- Si al arrancar el equipo vibra de manera anormal, detenga el motor, desconecte el cable de la bujía de encendido y evite que toque la bujía de encendido. Busque inmediatamente la causa. Por lo general, la vibración es una advertencia de problemas. Si el ruido o las vibraciones de la máquina aumentan, deténgala inmediatamente y realice una inspección.
- Nunca deje la máquina sin supervisión cuando el motor está funcionando.
- Inspeccione regularmente la máquina. Asegúrese de que las piezas no están dobladas, dañadas ni sueltas.
- La temperatura del silenciador y las áreas cercanas puede exceder los 150 °F (65 °C). Permita que el silenciador y las áreas del motor se enfríen antes de tocarlas. Nunca levante ni transporte la máquina mientras el motor está funcionando.
- Se debe evitar la exposición prolongada al ruido y la vibración de los equipos accionados por motor a gasolina. Tome descansos intermitentes o use protección auditiva contra el ruido del motor, además de guantes de trabajo pesado para reducir la vibración en las manos.
- Mantenga apretados todos los tornillos, tuercas y pernos.
- No transporte la máquina desde un lugar a otro con el motor funcionando.
- Consulte los reglamentos locales para conocer las restricciones de edad para el uso de esta máquina.

## REGLAS DE SEGURIDAD ESPECÍFICAS DEL PRODUCTO

- No perfore sobre servicios subterráneos, como tuberías de agua, tuberías de gas, cables eléctricos o tuberías. No opere el cabezal de potencia y la barrena para abrir agujeros para postes en suelos con rocas grandes y objetos extraños que puedan dañar el equipo.
- Después de golpear un objeto extraño, detenga el motor. Retire el cable de la bujía de encendido. Revise si hay daños en el cabezal de potencia o la barrena. Si hay daños, repárelos antes de arrancar y operar el cabezal de potencia y la barrena.
- La barrena no debería girar cuando el motor está al ralentí. Si gira cuando el motor está al ralentí, comuníquese con Earthquake para solicitar instrucciones.
- Si un objeto se aloja en la barrena, apague el motor, retire el cable de la bujía de encendido y colóquelo en un área segura lejos de la bujía de encendido; deje enfriar antes de intentar retirar el objeto extraño.
- La cuchilla para tierra es muy filosa. Tenga el máximo cuidado cuando perfore un agujero o reemplace la cuchilla.
- No transporte la unidad de barrena para abrir agujeros para postes entre los agujeros con el motor funcionando.

## PRECAUCIONES DE SEGURIDAD DEL MOTOR

### Advertencia de intoxicación por monóxido de carbono

Los motores emiten monóxido de carbono, un gas venenoso inodoro e incoloro. El monóxido de carbono puede estar presente incluso si no huele ni observa ninguna emisión en el escape del motor. Inhalar monóxido de carbono puede provocar náuseas, desmayos o la muerte, además de somnolencia, mareos y confusión. Si presenta alguno de estos síntomas, busque aire fresco y acuda al médico de inmediato.

Si la máquina viene con un manual del motor separado, asegúrese de leerlo y seguir todas las precauciones de seguridad y advertencia que se indican en él, además de las que aparecen en este manual.

### Prevención de intoxicación por monóxido de carbono

- Siempre arranque y haga funcionar el motor en el exterior. No arranque ni haga funcionar el motor en un área encerrada, incluso si las puertas o ventanas están abiertas.
- Nunca intente ventilar el escape del motor en el interior. El monóxido de carbono puede alcanzar niveles peligrosos rápidamente.
- Nunca arranque el motor en el exterior donde los gases de escape puedan ingresar a un edificio.
- Nunca arranque el motor en el exterior en un área poco ventilada donde los gases de escape puedan quedar atrapados o no se puedan sacar fácilmente (algunos ejemplos: en una excavación grande o en lugares donde las colinas rodean su área de trabajo).
- Nunca arranque el motor en un área cerrada o parcialmente cerrada (algunos ejemplos: edificios cerrados en uno o más lados, en tiendas de campaña, cocheras o sótanos).
- Siempre arranque el motor con el escape y el silenciador apuntando en dirección contraria al operador.
- Nunca apunte el silenciador o escape hacia alguien. Las personas siempre deben estar bastante lejos de la operación del motor y sus acoplamientos.
- No cambie los ajustes del regulador del motor ni acelere demasiado el motor.

### Incendios de gasolina y manipulación segura del combustible

Tenga mucho cuidado cuando manipule gasolina y otros combustibles. Ellos son inflamables y los vapores son explosivos.

- Cuando almacene combustible adicional, asegúrese de hacerlo en un recipiente adecuado y lejos de cualquier peligro de incendio.
- Evite incendios y explosiones provocados por la descarga eléctrica estática. Use solamente recipientes para combustibles portátiles y no metálicos, aprobados por el Laboratorio de Aprobadores (U.L., Underwriter's Laboratory) o la Asociación estadounidense para pruebas y materiales (ASTM, American Society for Testing & Materials).
- Siempre llene el tanque de combustible en el exterior, en un área bien ventilada. Nunca llene el tanque de combustible en el interior (algunos ejemplos: en el sótano, el garaje, el granero, el cobertizo, la casa, el porche, etc.). Nunca llene el tanque cerca de



## ADVERTENCIA

**LOS MOTORES EMITEN MONÓXIDO DE CARBONO, UN GAS VENENOSO INODORO E INCOLORO. EL MONÓXIDO DE CARBONO PUEDE ESTAR PRESENTE INCLUSO SI NO HUELE NI OBSERVA NINGUNA EMISIÓN EN EL ESCAPE DEL MOTOR. INHALAR MONÓXIDO DE CARBONO PUEDE PROVOCAR NÁUSEAS, DESMAYOS O LA MUERTE, ADEMÁS DE SOMNOLENCIA, MAREOS Y CONFUSIÓN.**

**SI PRESENTA ALGUNO DE ESTOS SÍNTOMAS, BUSQUE AIRE FRESCO Y ACUDA AL MÉDICO DE INMEDIATO.**



## PRECAUCIÓN

**LOS GASES CALIENTES SON UN SUBPRODUCTO NORMAL DE UN CONVERTIDOR CATALÍTICO EN FUNCIONAMIENTO. SIGA TODAS LAS INSTRUCCIONES DE SEGURIDAD PARA EVITAR QUEMADURAS E INCENDIOS.**

### **NO ALTERE NI MODIFIQUE EL MOTOR:**

**NUNCA ALTERE NI MODIFIQUE EL MOTOR AL RECIBIRLO DE LA FÁBRICA. SE PUEDEN PRODUCIR LESIONES GRAVES O LA MUERTE SI SE MODIFICA O ALTERA EL MOTOR.**

**CUANDO TRABAJE O REEMPLACE PIEZAS DEL MOTOR O LA MÁQUINA, SIEMPRE DEBE DESCONECTAR EL CABLE DE LA BUJÍA DE ENCENDIDO Y MANTENERLO LEJOS DE LA BUJÍA DE ENCENDIDO.**

equipos que tengan luces pilotos, calentadores u otras fuentes de encendido. Si tiene que drenar el combustible, esto se debe realizar en el exterior. El combustible drenado se debe almacenar en un recipiente específicamente diseñado para almacenar combustible o se debe desechar cuidadosamente.

- Nunca saque la tapa del depósito de combustible ni agregue combustible con el motor funcionando. Detenga el motor y deje enfriar antes de llenarlo.
- No fume mientras recarga combustible u opera el motor.
- Nunca drene el combustible del motor en un área cerrada.
- Siempre limpie el exceso de combustible (derramado) del motor antes de arrancarlo. Limpie inmediatamente el combustible derramado. Si se derrama combustible, no arranque el motor sino que saque la máquina y el recipiente de combustible del área. Limpie el combustible derramado, deje que se evapore y seque después de limpiar y antes de arrancar.
- Deje que los gases o vapores de combustible se ventilen del área antes de arrancar el motor.
- Compruebe que la tapa del depósito de combustible esté instalada correctamente antes de arrancar y usar el motor.
- Siempre arranque el motor con la tapa del depósito de combustible instalada correctamente en el motor.

- No almacene el motor con combustible en el tanque en el interior. El combustible y los vapores de combustible son muy explosivos.
- Durante el almacenamiento, coloque la máquina de modo que la tapa del depósito de gasolina quede hacia arriba.
- Nunca extraiga el combustible con la boca para drenar el tanque de combustible.
- Un adulto siempre debe llenar el tanque de combustible y nunca debe permitir que niños llenen el motor.
- Nunca permita que un adulto u otra persona bajo la influencia de las drogas o el alcohol llene el motor.
- Cuando almacene gasolina o equipos con combustible en el tanque, hágalo lejos de calderas, estufas, calentadores de agua u otros equipos que tengan una luz piloto u otra fuente de encendido, ya que pueden inflamar los vapores de la gasolina.

### **QUEMADURAS E INCENDIOS**

El silenciador, la protección del silenciador y otras piezas del motor se calientan muchísimo durante el funcionamiento del motor. Estas piezas permanecen muy calientes después de detener el motor.

#### **Prevención de quemaduras e incendios**

- Nunca retire la protección del silenciador del motor.
- Nunca toque la protección del silenciador porque está muy caliente y provocará quemaduras graves.
- Nunca toque las piezas del motor que se calientan después del funcionamiento.
- Siempre mantenga materiales y residuos alejados de la protección del silenciador y de otras piezas calientes del motor para evitar incendios.

### **NIÑOS Y PERSONAS QUE LO RODEAN**

Pueden ocurrir accidentes trágicos si el operador no está alerta a la presencia de niños o personas que lo rodean. Nunca suponga que los demás permanecerán donde los vio por última vez.

- Mantenga el área de operación sin personas, especialmente niños y mascotas. Mantenga a los niños bajo el cuidado atento de un adulto responsable.
- Esté alerta y apague la máquina si niños ingresan al área.
- Antes y mientras se mueve marcha atrás, mire detrás de usted y hacia abajo para asegurarse de que no haya niños pequeños.
- Nunca permita que los niños operen la máquina.

### **REGLAS GENERALES DE LA BARRENA**

- Transporte el cabezal de potencia y la barrena solo desde el manillar, NO desde la barrena.
- Mantenga todas las extremidades corporales, ropa holgada y objetos extraños alejados de la barrena giratoria.

- Durante el uso del producto, asegúrese de que la barrena esté fijada firmemente al cabezal de potencia.
- Nunca transporte la barrena entre los agujeros con el motor funcionando.
- La barrena no está diseñada para ser utilizada como un dispositivo de anclaje.

### **MANTENIMIENTO**

- Siempre detenga el motor cada vez que deje la máquina, antes de limpiar, reparar o inspeccionar la unidad. Antes de intentar realizar cualquier reparación o ajuste, se debe apagar y enfriar el motor, se debe retirar el cable de la bujía de encendido de la bujía. Nunca realice ajustes ni reparaciones con el motor funcionando. Desconecte el cable de la bujía de encendido y manténgalo alejado de la bujía para evitar un arranque accidental. Retire la llave de encendido, si está equipado con un arranque eléctrico.
- Siempre use protección para los ojos cuando realice ajustes o reparaciones.
- Mantenga apretados todos pernos y tuercas y mantenga el equipo en buenas condiciones.
- Nunca altere los dispositivos de seguridad. Revise regularmente que funcionen correctamente.
- Cuando realice mantenimiento o reparaciones a la máquina, no vuelque ni eleve la máquina a menos que se indique específicamente hacerlo en este manual. Los procedimientos de mantenimiento y reparación se pueden realizar con la máquina en una posición vertical. Algunos procedimientos serán más fáciles de realizar si la máquina se levanta en una plataforma elevada o superficie de trabajo.
- Para reducir el riesgo de incendio, mantenga la máquina libre de pasto, hojas y acumulación de otros residuos. Limpie los derrames de aceite o combustible. Permita que la máquina se enfríe antes de almacenarla.
- Deténgase e inspeccione el equipo si golpea un objeto. Repare, si es necesario, antes de volver a arrancar.
- Limpie y reemplace las calcomanías de seguridad e instrucción, según sea necesario.
- Para protegerse del sobrecalentamiento del motor, siempre tenga montado y limpio el filtro de residuos del motor.
- Inspeccione la máquina antes de almacenarla. Cuando no esté en uso, desconecte el conductor de la bujía de encendido y almacénelo en el interior en un lugar seco con llave o, de lo contrario, en un lugar inaccesible para los niños.
- Use solo piezas de equipos originales de Earthquake, como tuercas y pernos.

## SÍMBOLOS Y CALCOMANÍAS DE SEGURIDAD

Este cabezal de potencia está diseñado y fabricado para proporcionarle la seguridad y confiabilidad que esperaría de una empresa líder en la fabricación de equipos de potencia para exteriores.

Leer este manual y las instrucciones de seguridad que contiene le entregará el conocimiento básico necesario para operar el equipo de manera segura y eficaz. Colocamos una calcomanía de seguridad en el cabezal de potencia para recordarle parte de esta información importante mientras opera la unidad. Estos mensajes importantes de seguridad aparecen a continuación, y se muestran para ayudarlo a familiarizarse con la ubicación y el contenido de los mensajes de seguridad que verá mientras realiza operaciones normales de perforación. Revise estas calcomanías ahora y, si tiene alguna pregunta respecto a su significado o de qué manera cumplir con estas instrucciones, vuelva a leer todo el texto acerca de instrucciones de seguridad en este manual. Si desea realizar preguntas adicionales, los clientes de Europa pueden comunicarse con su distribuidor local, mientras que los clientes de EE. UU. deben llamar al Servicio al Cliente de Earthquake.

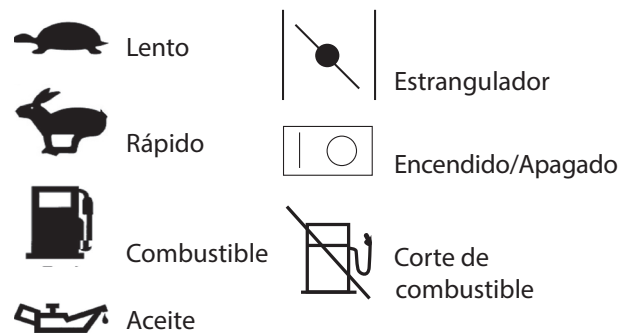
Si no puede leer una calcomanía porque se desgastó, destiñó o dañó durante el uso del cabezal de potencia, use la información de número de pieza que se proporciona en la lista detallada ilustrada de piezas para solicitar una etiqueta de reemplazo. Los clientes de Europa pueden solicitarla a su distribuidor local, mientras que los clientes de EE. UU. pueden comunicarse con el Servicio al Cliente de Earthquake para solicitarla. Estas calcomanías se aplican fácilmente, y actuarán como un recordatorio visual constante para usted, y otras personas que usen el equipo, para seguir las instrucciones de seguridad necesarias para una operación segura y eficaz del cabezal de potencia.

Los siguientes símbolos se pueden usar en el motor para alertarlo sobre posibles peligros o para guiarlo en la operación del cabezal de potencia. Examínelos y comprenda su significado antes de operar el cabezal de potencia.

### Símbolos de seguridad o peligro



### Símbolos de control operacional



## MONTAJE

### HERRAMIENTAS NECESARIAS:

- Dos (2) llaves de 9/16 pulgadas

### INSTRUCCIONES (FIGURA 1)

1. Inserte el eje de salida de la transmisión del E43 (A) en el extremo abierto de la Bobina de choque Flex superior (B).
2. Alinear los agujeros de los tornillos a través de la Bobina de choque Flex superior y el eje de salida de la transmisión.
3. Coloque el tornillo de 3/8-16 x 1.5 pulgadas incluido (C) a través del agujero del tornillo.
4. Enrosque a mano la tuerca de seguridad :de 3/8-16 (D) en el tornillo.
5. Usando dos llaves inglesas de 9/16 pulgadas, apriete la tuerca y el tornillo.  
(Se muestra E43 y EA8F. Estas instrucciones también se aplican a las barrenas EA6F y EA10F.)
6. Enrosque la punta de cola de pescado (E) con la mano en el extremo abierto inferior del vástago de la barrena (F). (Solo cabezal de potencia con barrena de 8 pulgadas incluida, modelo 35064)

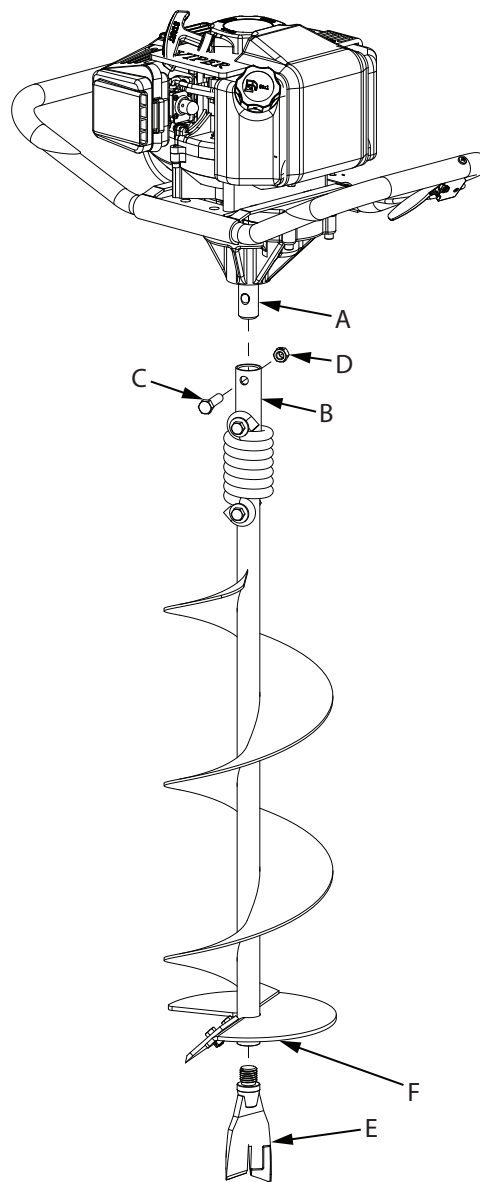


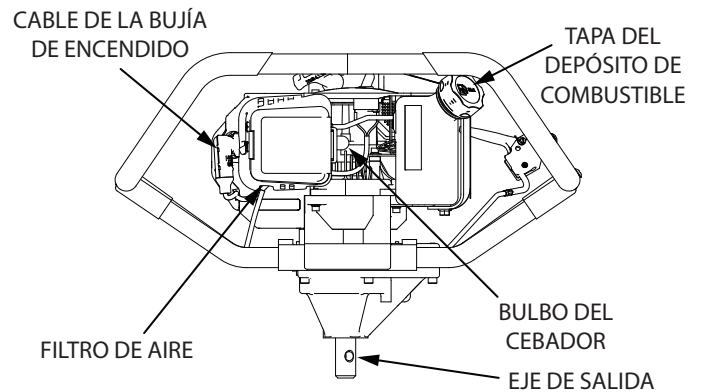
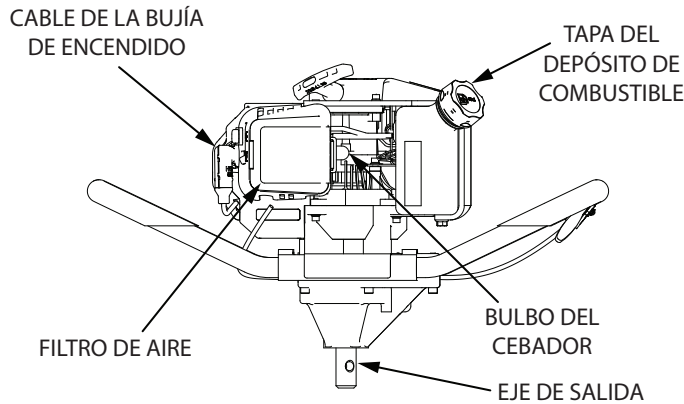
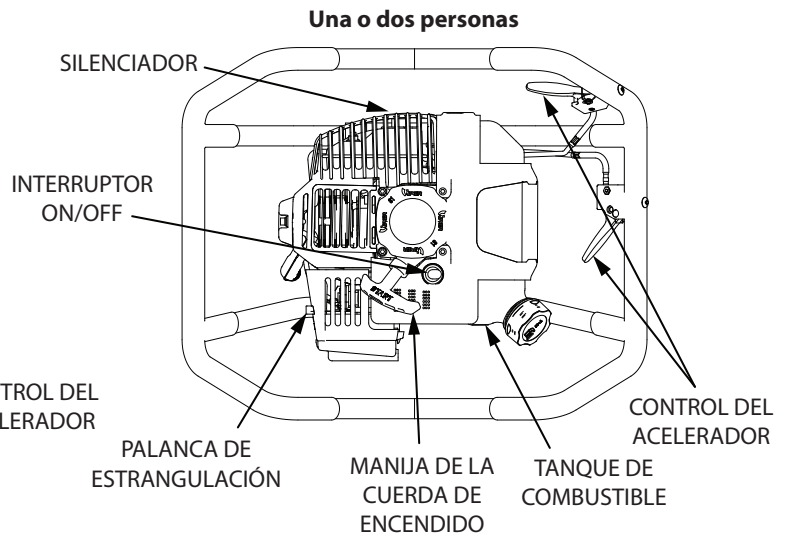
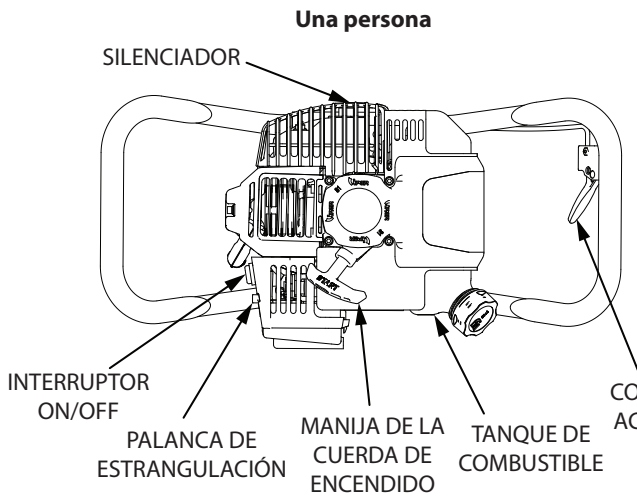
Figura 1: Se muestra el modelo para una persona

### ADVERTENCIA

**NO RECARGUE COMBUSTIBLE MIENTRAS FUMA, CERCA DE LLAMAS EXPUESTAS U OTROS POSIBLES PELIGROS.**

**EL COMBUSTIBLE ES MUY INFLAMABLE Y SE DEBE MANIPULAR CON CUIDADO. NUNCA LLENE EL TANQUE CUANDO EL MOTOR ESTÉ CALIENTE O FUNCIONANDO. SIEMPRE VAYA AL EXTERIOR PARA LLENAR EL TANQUE.**

## CARACTERÍSTICAS DEL CABEZAL DE POTENCIA:



## OPERACIÓN

### CALIDAD DE LA GASOLINA Y EL ACEITE

Para hacer funcionar el motor, recomendamos usar aceite de 2 ciclos marca Viper® para garantizar el funcionamiento correcto durante la vida útil del motor. El aceite de dos ciclos marca Viper® tiene un aditivo estabilizador de combustible para evitar que la gasolina se oxide y se pegue a las paredes del carburador cuando la unidad no se usa durante períodos prolongados. Use únicamente gasolina normal sin plomo. Es mejor usar gasolina de calidad superior que no contenga etanol.

**NOTA:** El aceite Viper® solo se puede comprar en nuestro sitio web en [www.getearthquake.com](http://www.getearthquake.com).

### MEZCLA

Haga funcionar la barrena para abrir agujeros para postes con una relación de 50:1.

GASOLINA	ACEITE	RELACIÓN
1 galón	2.5 onzas	50:1
2 galones	5 onzas	50:1
5 galones	13 onzas	50:1

### MEZCLADO DE COMBUSTIBLE Y LLENADO DEL TANQUE DE GASOLINA

#### MEZCLA DE COMBUSTIBLE

1. El combustible se debe mezclar en un recipiente en el exterior, en un área bien ventilada.
2. Llene el recipiente para combustible certificado a 1/4 de su capacidad con el combustible recomendado.
3. Agregue la cantidad recomendada de aceite de 2 ciclos.
4. Enrosque la tapa del recipiente firme y derecha.
5. Agite el recipiente para mezclar el combustible y el aceite.
6. Desenrosque lentamente la tapa del depósito de gasolina para ventilar, agregue el resto de los requisitos de combustible.
7. Limpie todo el combustible o aceite derramado y deje evaporar antes de mover o transportar.

#### LLENADO DEL TANQUE DE COMBUSTIBLE

1. Apague el motor y deje que se enfríe completamente antes de volver a llenar el tanque.
2. Trasládese a un área bien ventilada o al exterior, lejos de llamas o chispas.
3. Limpie los residuos del área alrededor de la tapa del depósito de combustible.
4. Afloje lentamente la tapa del depósito de combustible.
5. Agregue combustible cuidadosamente sin derramarlo.
6. No llene el tanque de combustible a toda su capacidad; deje espacio para que el combustible se expanda.
7. Inmediatamente, vuelva a colocar y apretar la tapa del depósito de combustible. Limpie el combustible derramado y deje secar antes de arrancar el motor.

## PRECAUCIÓN

**NO ALTERE NI MODIFIQUE EL MOTOR O LA BARRENA: NUNCA ALTERE NI MODIFIQUE EL MOTOR AL RECIBIRLO DE LA FÁBRICA. SE PUEDEN PRODUCIR LESIONES GRAVES O LA MUERTE SI SE MODIFICA O ALTERA EL MOTOR.**

**CUANDO TRABAJE O REEMPLACE PIEZAS DEL MOTOR O LA BARRENA, SIEMPRE DEBE DESCONECTAR EL CABLE DE LA BUJÍA DE ENCENDIDO Y MANTENERLO LEJOS DE LA BUJÍA DE ENCENDIDO.**

**SIEMPRE USE PROTECCIÓN AUDITIVA MIENTRAS OPERA EL MOTOR.**

**NO ARRANQUE LA BARRENA PARA ABRIR AGUJEROS PARA POSTES HASTA QUE HAYA LEÍDO LA SECCIÓN ANTERIOR DE ESTE MANUAL. SI YA LA LEYÓ, SIGA LOS PASOS A CONTINUACIÓN PARA ARRANCAR LA BARRENA PARA ABRIR AGUJEROS PARA POSTES.**

**NUNCA ALMACENE EL MOTOR CON GASOLINA EN EL TANQUE EN EL INTERIOR. EL COMBUSTIBLE Y LOS VAPORES DE COMBUSTIBLE SON MUY INFLAMABLES.**

**NUNCA MEZCLE COMBUSTIBLE Y ACEITE DIRECTAMENTE EN EL TANQUE DE GASOLINA DEL MOTOR. USE SOLAMENTE RECIPIENTES PARA COMBUSTIBLES PORTÁTILES Y NO METÁLICOS, APROBADOS POR EL LABORATORIO DE APROBADORES (U.L., UNDERWRITER'S LABORATORY) O LA ASOCIACIÓN ESTADOUNIDENSE PARA PRUEBAS Y MATERIALES (ASTM, AMERICAN SOCIETY FOR TESTING & MATERIALS).**

**UN ADULTO SIEMPRE DEBE REALIZAR LA MANIPULACIÓN Y EL LLENADO DEL MOTOR CON COMBUSTIBLE.**

**SIEMPRE MANIPULE EL COMBUSTIBLE EN UN ÁREA BIEN VENTILADA O AL EXTERIOR, LEJOS DE LLAMAS O CHISPAS.**

## IMPORTANTE

**ESTE MOTOR USA UNA MEZCLA DE GASOLINA Y ACEITE. NO LO HAGA FUNCIONAR SOLAMENTE CON GASOLINA. ESTO ANULARÁ LA GARANTÍA Y PROVOCARÁ DAÑO AL MOTOR.**



**FUNCIONAMIENTO NORMAL**

1. El embrague transferirá la potencia máxima luego de 2 horas de funcionamiento normal. Durante este período, puede ocurrir un deslizamiento del embrague. El embrague debe mantenerse sin aceite y sin humedad para que funcione correctamente.
2. Haga los agujeros sin apoyar demasiado el peso del cuerpo en la unidad. La barrena funciona más eficazmente con la acción de corte que produce el peso mismo de la unidad.
3. Nunca haga funcionar un motor en interiores. Los gases del escape son letales.
4. No utilice la barrena de tierra sobre hielo.

**ADVERTENCIA**

**ASEGURESE DE QUE LA UNIDAD SE ENCUENTRE EN UNA POSICION ESTABLE ANTES DE TIRAR DE LA MANIJA DE LA CUERDA DE ENCENDIDO.**

**CUANDO LA UNIDAD ARRANQUE, LIBERE EL CONTROL DEL REGULADOR MOMENTANEAMENTE CON LA MANO DERECHA Y COLOQUE LA MANO IZQUIERDA EN EL MANGO PARA MANTENER EL CONTROL Y LA ESTABILIDAD DE LA UNIDAD CON LAS DOS MANOS.**

## ARRANQUE Y DETENCIÓN DEL MOTOR

- Traslade el motor hasta un área bien ventilada o al exterior, para evitar una intoxicación por monóxido de carbono.
- Trasládese a un área lejos de llamas o chispas, para evitar el encendido de vapores, si los hubiera.
- Retire todos los residuos de los orificios del purificador de aire y de la tapa del depósito de combustible para garantizar un flujo de aire adecuado.

### ARRANQUE EN FRÍO DEL MOTOR

Arranque del motor por primera vez, después de haberlo enfriado o después de haberse quedado sin combustible.

1. Mueva la palanca del estrangulador a la posición **Estrangular**.  
**NOTA: La posición Estrangular se define moviendo la palanca del estrangulador hacia la posición Estrangular, tanto como sea posible.**
2. Ceebe la unidad hasta que la manguera del cebador se llene de gasolina.  
**NOTA: Cuando utilice el bulbo del cebador, permita que este vuelva completamente a su posición original entre un empujón y otro.**
3. Coloque el interruptor de **Encendido/Apagado** en la posición **Encendido**.
4. Sostenga el manubrio firmemente. Agarre el mango de arranque y tire de él lentamente, hasta que hacerlo sea levemente más difícil. Sin dejar que el mango de arranque se retraiga, tire de la cuerda con un rápido movimiento de brazo. Déjelo volver a su posición original lentamente hasta que encienda o arranque. Repita este paso cada vez que tire de la cuerda de arranque.  
**NOTA: Si el motor no arranca después de 5 a 6 tirones, pulse el cebador 1 vez y vuelva a tirar de la cuerda de arranque.**
5. Una vez que esté funcionando, mueva la panca del estrangulador a la posición **Estrangulamiento medio** hasta que funcione sin problemas.  
**NOTA: La posición Estrangulamiento medio se define cuando la palanca del estrangulador está entre Estrangular y Arrancar.**
6. Mueva la palanca del estrangulador a la posición **Arrancar** y ponga el acelerador a la velocidad deseada.  
**NOTA: Acelere completamente cuando sea posible. No deje que la unidad funcione al ralentí durante períodos prolongados.**
7. Para detener el motor, coloque el interruptor de **Encendido/Apagado** en la posición **Apagado**.

### ARRANQUE EN TIBIO DEL MOTOR

1. Mueva la palanca del estrangulador a la posición **Estrangular**.  
**NOTA: La posición Estrangular se define moviendo la palanca del estrangulador hacia la posición Estrangular, tanto como sea posible.**
2. Continúe con el Paso 4 de Arranque en frío del motor.

## PRECAUCIÓN

**ASEGÚRESE DE QUE LA UNIDAD ESTÉ EN UNA POSICIÓN ESTABLE ANTES DE TIRAR DEL MANGO DE ARRANQUE.**

**SIEMPRE MANIPULE EL COMBUSTIBLE EN UN ÁREA BIEN VENTILADA O AL EXTERIOR, LEJOS DE LLAMAS O CHISPAS.**

**SIEMPRE USE UN DISPOSITIVO DE PROTECCIÓN AUDITIVA.**

**NO ARRANQUE EL MOTOR SI HAY DERRAME DE COMBUSTIBLE. LIMPIE EL EXCESO DE COMBUSTIBLE Y DEJE SECAR. RETIRE EL MOTOR DEL ÁREA PARA EVITAR CHISPAS.**

**SI LA BARRENA ESTÁ MONTADA EN EL MOTOR, SE DEBEN FIJAR TODOS LOS DISPOSITIVOS DE SEGURIDAD PARA EVITAR LESIONES GRAVES.**

**LA CUERDA DE ARRANQUE PUEDE PROVOCAR UN TIRÓN IMPREVISTO HACIA EL MOTOR. SIGA LAS INSTRUCCIONES PARA EVITAR LESIONES.**

**SI EL MOTOR NO ARRANCA DESPUÉS DE INTENTAR LOS PROCEDIMIENTOS DE ARRANQUE, COMUNÍQUESE CON NUESTRO DEPARTAMENTO DE SERVICIO AL CLIENTE AL 800-345-6007.**

**NUNCA DEJE EL MOTOR FUNCIONANDO SIN SUPERVISIÓN. APÁGUELO DESPUÉS DE CADA USO.**

**NUNCA TRANSPORTE EL CABEZAL DE POTENCIA Y LA BARRENA ENTRE LOS AGUJEROS MIENTRAS EL MOTOR ESTÁ FUNCIONANDO.**

### ARRANQUE EN CALIENTE DEL MOTOR:

1. Comience con el Paso 4 de Arranque en frío del motor.
2. Si el motor no enciende, consulte el Paso 1 de Arranque en tibio del motor.

### **NO intente arrancar el motor de las siguientes maneras:**

- Usando líquido de arranque.
- Pulverizando líquidos o vapores inflamables en el limpiador de aire, el carburador o en la cámara de la bujía de encendido.
- Retirando la bujía de encendido y tirando de la cuerda de arranque. El combustible inflamable se puede rociar y encender a partir de una chispa de la bujía de encendido.

### PARA DETENER EL MOTOR:

Coloque el interruptor de **Encendido/Apagado** en la posición **Apagado**.

## MANTENIMIENTO Y ALMACENAMIENTO

### PASOS PARA TRABAJAR EN EL EQUIPO

1. Apague el interruptor del motor.
2. Desconecte el cable de la bujía de encendido.
3. Coloque el cable desconectado de la bujía de encendido lejos de la bujía de encendido y de piezas de metal. Esto se debe realizar siempre o se puede formar un arco entre el cable de la bujía de encendido y las piezas de metal.
4. Reemplace o repare la pieza del cabezal de potencia.
5. Revise que todas las piezas que se repararon o retiraron durante la reparación, estén seguras y ajustadas correctamente.  
**NOTA: Todas las piezas de repuesto deben provenir de la fábrica. Nunca reemplace piezas que no estén específicamente diseñadas para el cabezal de potencia.**
6. Vuelva a conectar el cable de la bujía de encendido.

### MANTENIMIENTO DE BARRENA MECÁNICA

1. La caja de engranajes tiene 4 onzas de grasa instalada en la fábrica. Se recomienda dividir la caja de cambios y comprobar el nivel de grasa cada 50 horas. Agregue grasa solamente si el nivel de grasa está por debajo de la parte superior de los engranajes. **NO LLENE DEMASIADO.** La grasa de repuesto está disponible en línea según la lista detallada de piezas.
2. Mantenga apretados todos los tornillos, tuercas y pernos.
3. Para el funcionamiento en climas fríos, almacene la unidad en un ambiente fresco. Transferir la unidad desde un lugar cálido a uno frío puede provocar la acumulación de condensación dañina.
4. Si el rendimiento de la barrena disminuye, inspeccione cuidadosamente si el filo de la cuchilla tiene alguna señal de desgaste. Si las cuchillas tienen alguna de estas señales, debe reemplazarlas.

### MANTENIMIENTO DEL MOTOR

Consulte el manual de garantía del motor incluido con el producto para el programa de mantenimiento.

El buen mantenimiento es esencial para un funcionamiento seguro, económico y sin problemas. Además, ayudará a reducir la contaminación ambiental. Para ayudarlo a cuidar correctamente el motor, las páginas a continuación incluyen un programa de mantenimiento, procedimientos de inspección de rutina y procedimientos de mantenimiento simples utilizando herramientas manuales básicas. Otras tareas de mantenimiento que son más difíciles, o que requieren herramientas especiales, son mejor manejadas por profesionales y, por lo general, las realiza un técnico u otro mecánico calificado.

**Un establecimiento o personas que trabajen en la reparación de motores para uso fuera de carretera deben realizar el mantenimiento, el reemplazo o la reparación de los dispositivos y sistemas de control de emisiones. Sin embargo, un concesionario autorizado debe realizar el mantenimiento de los elementos para obtener un servicio de control de emisiones "sin cobro".**

### PRECAUCIÓN

#### **PARA EVITAR UN ARRANQUE ACCIDENTAL:**

**EL MOTOR DEBE ESTAR APAGADO Y FRÍO, Y SE DEBE RETIRAR EL CABLE DE LA BUJÍA DE ENCENDIDO ANTES DE REVISAR Y AJUSTAR EL MOTOR O LOS EQUIPOS.**

**ES POSIBLE QUE LA TEMPERATURA DEL SILENCIADOR Y LAS ÁREAS CERCANAS EXCEDA LOS 150° F. EVITE ESTAS ÁREAS.**

**REVISE LA BARRENA FRECUENTEMENTE PARA VER SI HAY TUERCAS O PERNOS SUELTOS. MANTENGA ESTOS ELEMENTOS APRETADOS.**

**NUNCA ALMACENE EL MOTOR CON COMBUSTIBLE EN EL TANQUE AL INTERIOR DE UN EDIFICIO. ES POSIBLE QUE HAYAN CHISPAS POR EL ENCENDIDO DE COMBUSTIBLE Y VAPORES DE COMBUSTIBLE.**

**UN ADULTO SIEMPRE DEBE REALIZAR EL MANTENIMIENTO Y LAS REPARACIONES DEL MOTOR Y LA BARRENA.**

**EL MOTOR DEBE ESTAR APAGADO, FRÍO Y SE DEBE RETIRAR EL CABLE DE LA BUJÍA DE ENCENDIDO ANTES DE PODER REALIZAR MANTENIMIENTOS O REPARACIONES.**

### ALETAS DE ENFRIAMIENTO

Las aletas de enfriamiento, las entradas de aire y uniones deben estar libres de residuos antes de cada uso.

### FILTRO DE AIRE

Nunca arranque el motor sin haber instalado correctamente el purificador de aire. Es posible que se produzca desgaste adicional y fallas en el motor si no se instala el purificador de aire en el motor.

Realice mantenimiento al purificador de aire cada 3 meses o después de 20 horas de funcionamiento. **En condiciones muy polvorientas, limpie el filtro a diario.**

### IMPORTANTE

**CUANDO LIMPIE, NUNCA TUERZA LOS FILTROS DE AIRE. SIEMPRE PRESIONE.**

## PASOS PARA LIMPIAR EL FILTRO DE AIRE CON ESPUMA TIPO BLOQUE

1. Antes de retirar la cubierta del filtro de aire, mueva la palanca del estrangulador hacia la posición Estrangular. **CONSULTE LA FIGURA 2.**
2. Para retirar la cubierta del filtro de aire, apriete las lengüetas de retención en ambos lados de la cubierta. **CONSULTE LA FIGURA 3.**
3. Una vez que las lengüetas de retención estén sueltas, gire la cubierta del alejándola del motor para retirar la cubierta del filtro de aire. **CONSULTE LA FIGURA 4.**
4. Retire el elemento filtrante de espuma (**CONSULTE LA FIGURA 5**) y reemplácelo con un nuevo filtro lubricado, o bien, limpie el filtro de espuma original con agua tibia y jabón suave, siguiendo los pasos anteriores para la Limpieza del filtro de aire. Recuerde lubricar completamente el filtro de espuma con aceite para motor grado 30 o 40 y quitar el exceso de aceite.
5. Vuelva a instalar el filtro de espuma, presiónelo en su lugar para asegurarse de que la espuma esté completamente fija en su posición de sellado.
6. Vuelva a colocar la cubierta del filtro de aire de modo que encaje completamente en su lugar y que esté asegurada con las lengüetas de retención. Tire levemente de la cubierta para verificar que esté fijada de manera segura. Si la cubierta no se mueve al tirar de ella, está segura. **CONSULTE LA FIGURA 6.**

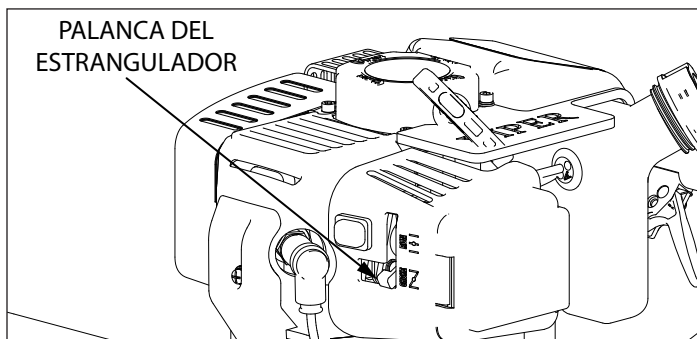


Figura 2

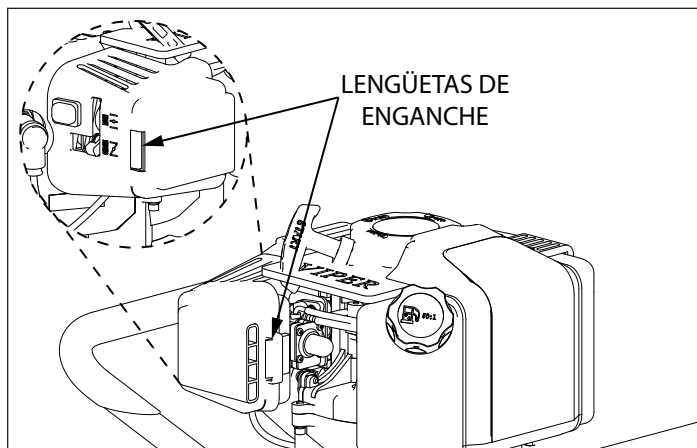


Figura 3

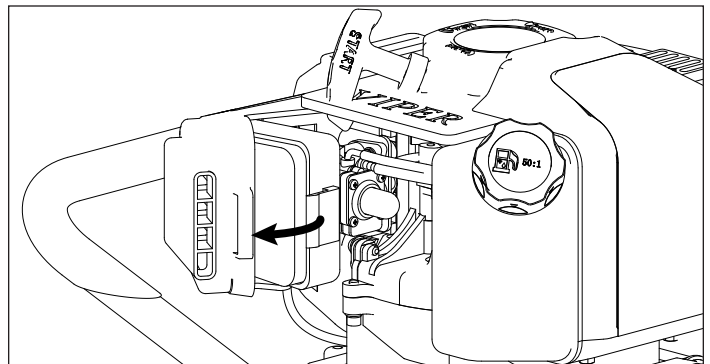


Figura 4

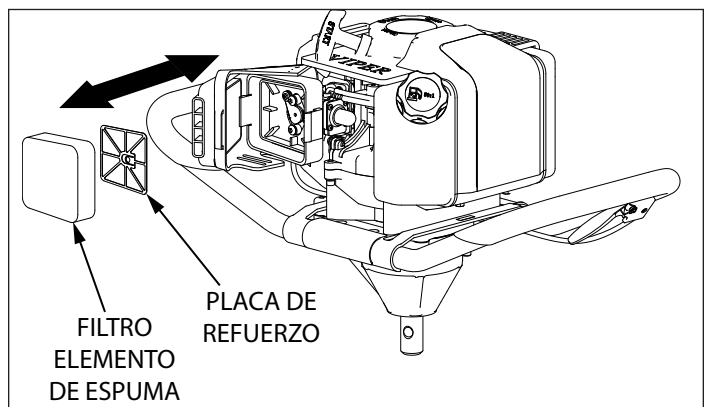


Figura 5

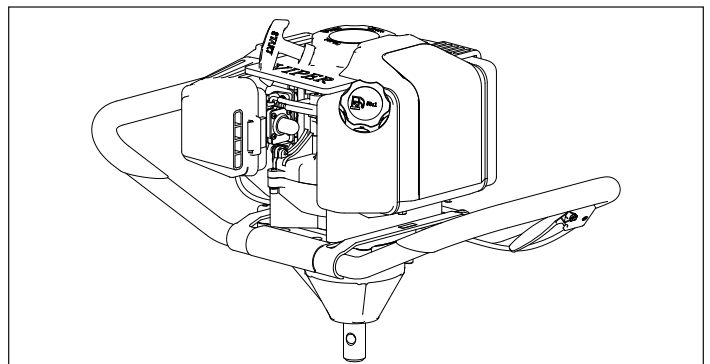


Figura 6

*Se muestra el modelo para una persona*

## BUJÍA DE ENCENDIDO

Consulte la lista detallada de piezas para conocer la bujía de encendido recomendada.

1. Revise la bujía de encendido al comienzo de cada temporada.
  2. Desconecte la tapa de la bujía de encendido y limpie todos los residuos del área alrededor de la bujía.
  3. Retire la bujía de encendido y reemplácela si sucede alguno de los siguientes casos: electrodos picados, electrodos quemados, porcelana resquebrajada o depósitos alrededor de los electrodos.
  4. Después del análisis, acomode la bujía de encendido y apriétela con una llave para bujías.
- Vuelva a instalar la bujía de encendido original, apriete 1/2 vuelta adicional.
  - Para instalar una nueva bujía de encendido, ajuste la separación de la bujía a 0.028 pulg. y apriete 1/8 a 1/4 de vuelta adicional.

**NOTA:** Una bujía de encendido suelta puede sobrecalentar y dañar el motor. Una bujía de encendido muy apretada puede dañar las roscas de la culata del cilindro.

## CARBURADOR

Nunca altere la configuración de fábrica del carburador.

## TRANSPORTE DE LA BARRENA PARA ABRIR AGUJEROS PARA POSTES

1. Nunca transporte el motor dentro de un espacio o vehículo cerrado. El combustible o los vapores del combustible pueden inflamarse, lo que puede provocar lesiones graves o la muerte.
2. Si hay combustible en el tanque de combustible, transpórtelo en un vehículo abierto y en posición vertical.
3. Si se debe usar un vehículo cerrado, saque el combustible y colóquelo en un recipiente rojo para combustible aprobado. **NO lo extraiga con la boca.**
4. Arranque el motor para usar el combustible que queda en el carburador y en el tanque de combustible. Siempre arranque el motor en un área bien ventilada.
5. Limpie todo el combustible derramado del motor y de la barrena para abrir agujeros para postes. Permita que se seque.

## ALMACENAMIENTO A LARGO PLAZO (30 DÍAS O MÁS SIN USO)

Si la barrena para abrir agujeros para postes no se usa en más de un mes, prepárela para el almacenamiento a largo plazo.

### PASOS PARA EL ALMACENAMIENTO A LARGO PLAZO

1. Agregue estabilizador de combustible de acuerdo a las instrucciones del fabricante.
2. Arranque el motor por 10 a 15 minutos para garantizar que el estabilizador llegue al carburador.
3. Retire el resto del combustible del tanque y colóquelo en un recipiente para combustible aprobado.
4. Retire la barrena del cabezal de potencia y aplique una capa delgada de grasa en el eje de salida de la transmisión.
5. Almacene la barrena y el cabezal de potencia (motor) en posición vertical.
6. Elimine todos los residuos de la barrena y del cabezal de potencia (motor).



## PRECAUCIÓN

**PARA EVITAR LESIONES O LA MUERTE, NUNCA EXTRAIGA EL COMBUSTIBLE CON LA BOCA.**

**NUNCA ALMACENE LA BARRENA PARA ABRIR AGUJEROS PARA POSTES CON COMBUSTIBLE DENTRO DEL TANQUE DE GASOLINA DENTRO DE UN ÁREA O CONSTRUCCIÓN CERRADA.**

**PARA EVITAR UN ARRANQUE ACCIDENTAL:**

**EL MOTOR DEBE ESTAR APAGADO Y FRÍO, Y SE DEBE RETIRAR EL CABLE DE LA BUJÍA DE ENCENDIDO ANTES DE REVISAR Y AJUSTAR EL MOTOR O LOS EQUIPOS.**

**UN ADULTO SIEMPRE DEBE REALIZAR EL MANTENIMIENTO Y LAS REPARACIONES DEL MOTOR Y LA BARRENA.**

**EL MOTOR DEBE ESTAR APAGADO, FRÍO Y SE DEBE RETIRAR EL CABLE DE LA BUJÍA DE ENCENDIDO ANTES DE PODER REALIZAR MANTENIMIENTOS O REPARACIONES.**

## SOLUCIÓN DE PROBLEMAS Y REPARACIÓN

En Earthquake, incorporamos calidad y durabilidad en el diseño de nuestros productos, sin embargo, nada de nuestro cuidadoso diseño ni el cuidadoso mantenimiento de su parte pueden garantizar una vida útil de su cabezal de potencia Earthquake sin reparaciones. La mayoría de las reparaciones son menores y fáciles de arreglar si se siguen las sugerencias de la guía de solución de problemas en este manual.

Esta guía de solución de problemas le ayudará a localizar las causas de problemas comunes y a identificar soluciones.

Para reparaciones más complicadas, tal vez quiera confiar en un centro de servicio autorizado o en Earthquake. Se proporciona una lista detallada de piezas con este producto.

Siempre estaremos encantados de responder cualquier pregunta que tenga o de ayudarlo a encontrar la ayuda apropiada. Para solicitar piezas o informarse acerca de la garantía, llámenos o envíenos un correo electrónico con la información de contacto que se encuentra en "Solicitud de piezas de repuesto".

## SOLICITUD DE PIEZAS DE REPUESTO

Las piezas se pueden obtener directamente de la fábrica. Para solicitar piezas, visite [www.getearthquake.com](http://www.getearthquake.com) o llame al 1-800-345-6007.

Para otras preguntas generales, puede enviarnos un correo electrónico a [info@ardisam.com](mailto:info@ardisam.com).

**EN CASO DE UN PROBLEMA DE MANTENIMIENTO, NO ENVÍE EL PRODUCTO DE VUELTA AL COMERCIANTE. COMUNÍQUESE CON EARTHQUAKE AL 800-345-6007.**

Incluya la siguiente información con la solicitud:

- 1) Números de las piezas
- 2) Descripción de las piezas
- 3) Cantidad
- 4) Número de modelo y de serie

## SOLUCIÓN DE PROBLEMAS

PROBLEMA	CAUSA POSIBLE	SOLUCIÓN O ACCIÓN
El motor no arranca	1. El interruptor de alimentación está apagado	1. Mueva el interruptor a la posición <b>ENCENDIDO</b>
	2. El cable de la bujía de encendido está desconectado	2. Conecte el cable de la bujía de encendido a la bujía
	3. No hay combustible	3. Recargue combustible
	4. La bujía de encendido está húmeda, defectuosa o separada de manera incorrecta	4. Limpie, reemplace o separe la bujía de encendido
	5. La manguera de la tubería de combustible no está ubicada en la parte inferior del tanque de gasolina	5. Sumerja la tubería en el combustible del tanque de gasolina
	6. El combustible está en mal estado	6. Drene el combustible antiguo y reemplácelo con combustible fresco. Use estabilizador de combustible para futuras medidas preventivas.
El motor funciona de manera desigual y se ahoga durante el funcionamiento	1. El filtro de aire está sucio	1. Limpie o reemplace el filtro de aire
	2. El estrangulador está parcialmente enganchado	2. Apague el estrangulador
	3. El carburador no está ajustado	3. Llame a la fábrica o lleve la unidad a un centro de reparación autorizado
El motor arranca con dificultad	1. El combustible está en mal estado	1. Drene el combustible antiguo y reemplácelo con combustible fresco. Use estabilizador de gasolina para futuras medidas preventivas.
	2. El cable de la bujía de encendido está suelto	2. Asegúrese de que el cable de bujía esté fijado firmemente a la bujía de encendido
	3. El carburador está sucio	3. Limpie el carburador, use estabilizador de gasolina, un nuevo bidón de gasolina o compre un carburador de repuesto o un kit de reparación según la lista detallada de piezas
	4. El carburador no está cebado	4. Ceebe la unidad 3 veces más, apriete el acelerador cuando tire del mango de retroceso
El motor pierde o no tiene potencia	1. El tanque de gasolina está obstruido	1. Retírelo y límpielo
	2. El filtro de aire está obstruido	2. Límpielo o reemplácelo
	3. El carburador no está ajustado o está defectuoso	3. Llame a la fábrica o lleve la unidad a un centro de reparación autorizado
	4. La bujía de encendido está húmeda, defectuosa o separada de manera incorrecta	4. Limpie, reemplace o separe la bujía de encendido
El motor arranca y luego se detiene	1. La tapa del depósito de gasolina no está ventilando	1. Desenrosque la tapa del depósito de gasolina y vuelva a apretarla
	2. El filtro de combustible está conectado	2. Límpielo o reemplácelo
	3. El carburador no está ajustado o está defectuoso	3. Llame a la fábrica o lleve la unidad a un centro de reparación autorizado
Las revoluciones del motor son demasiado altas	1. El carburador no está ajustado o hay una fuga de aire en la entrada	1. Llame a la fábrica o lleve la unidad a un centro de reparación autorizado
La barrena gira al ralentí	1. La velocidad de ralentí es demasiado alta	1. Ajuste una velocidad de ralentí más baja
	2. El resorte de embrague está roto	2. Reemplace el resorte
La barrena gira, pero no tiene fuerza	1. El estrangulador está encendido	1. Apague el estrangulador después de que el motor está funcionando
	2. El carburador no está ajustado	2. Llame a la fábrica o lleve la unidad a un centro de reparación autorizado
	3. La transmisión está rota	3. Llame a la fábrica o lleve la unidad a un centro de reparación autorizado
	4. Las zapatas de embrague están desgastadas	4. Reemplace las zapatas de embrague y el resorte
La barrena salta	1. Las cuchillas están dañadas	1. Reemplácela con una nueva cuchilla
La barrena corta lentamente	1. La cuchilla está desafilada	1. Reemplácela con una nueva cuchilla
	2. La punta de cola de pescado está dañada	2. Reemplace la punta de cola de pescado

**Comuníquese con Servicio al Cliente si las soluciones anteriores fallan.**

## INTRODUCTION

Nous vous félicitons pour votre investissement en qualité. Nous vous remercions d'avoir acheté la tarière Earthquake™ E43™. Nous nous sommes engagés à faire en sorte que cette tarière de terre réponde aux normes d'utilisation et de durabilité les plus élevées. Avec des soins appropriés, il offrira de nombreuses années de service fiable.

**Veillez lire ce manuel en entier avant de l'installer et de l'utiliser. Earthquake se réserve le droit de changer, modifier ou améliorer ce produits et cette documentation à tout moment sans préavis.**

## SOMMAIRE

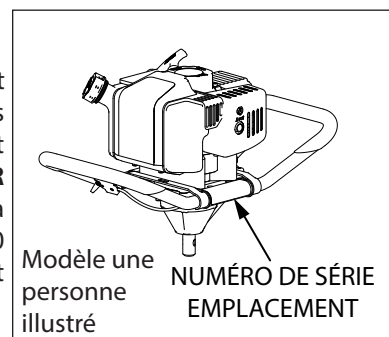
Introduction .....	31
Avertissements et mesures de précaution.....	32-36
Assemblage.....	37
Caractéristiques du bloc moteur .....	38
Utilisation .....	39-41
Entretien et entreposage.....	42-44
Dépannage et réparation.....	44-45

## INFORMATIONS FÉDÉRALES RELATIVES AUX ÉMISSIONS

Ardisam garantit à l'acheteur de détail d'origine que ce petit moteur non routier a été conçu, fabriqué et équipé de manière à se conformer, au moment de la fabrication aux règlements en vigueur de l'U.S. Environmental Protection Agency (EPA) et à ceux de l'État de Californie (CARB) le cas échéant.

## ENREGISTREMENT ET SERVICE APRÈS-VENTE

Consigner le numéro de modèle et le numéro de série dans l'espace prévu pour y accéder facilement lors des commandes de pièces détachées ou demandes d'assistance technique. À l'exception des articles couverts par la garantie sur le contrôle des émissions, la garantie est valable uniquement si l'enregistrement dûment rempli est reçu par Earthquake dans les 30 jours après l'achat. **(POUR PLUS DE RENSEIGNEMENTS, VOIR LA SECTION SUR LA GARANTIE.)** L'enregistrement de la garantie peut se faire en ligne à [www.getearthquake.com](http://www.getearthquake.com) ou par courrier à : Earthquake, 1160 Eighth Avenue, Cumberland, WI 54829, États-Unis. Le cas échéant, l'enregistrement du produit peut également se faire par téléphone en appelant notre service après-vente.



RENSEIGNEMENTS SUR LE PROPRIÉTAIRE		
Nom du propriétaire :		
Adresse du propriétaire :		
Ville :	État/Province :	Code postal :
Numéro de modèle :	Numéro de série :	
Date d'achat :		
Notes :		

Le présent manuel peut contenir des informations concernant plusieurs modèles. Lire ce manuel et le conserver pour toute consultation ultérieure. Ce manuel contient des renseignements importants sur la SÉCURITÉ, l'ASSEMBLAGE, l'UTILISATION et l'ENTRETIEN. Le propriétaire doit veiller à ce que toute la documentation pertinente accompagne le produit. Cette documentation comprend le MANUEL, la NOMENCLATURE DES PIÈCES et les GARANTIES. Cette documentation doit être incluse pour assurer le respect des réglementations en vigueur. Ce manuel doit rester avec le produit même si elle est revendue.

## AVERTISSEMENTS ET MESURES DE PRÉCAUTION

### RESPONSABILITÉ DE L'UTILISATEUR

L'utilisation correcte, sûre et efficace de ce produit relève de la responsabilité du propriétaire.

- Lire et suivre toutes les instructions de sécurité.
- Entretien cette machine conformément aux instructions et au calendrier figurant dans le présent manuel de l'utilisateur.
- S'assurer que quiconque utilise la machine connaît et comprend toutes les commandes et mesures de précaution.

### MESSAGES DE SÉCURITÉ

Ce manuel contient des messages spéciaux attirant l'attention sur des problèmes potentiels de sécurité et de dommage de la machine ainsi que des informations utiles sur le fonctionnement et l'entretien. Lire toutes ces informations avec attention pour éviter les blessures et les dommages à la machine.

**REMARQUE:** Des informations générales sont fournies à travers ce manuel pouvant aider l'opérateur dans l'utilisation ou l'entretien du produit.



Ce symbole signale des instructions de sécurité importantes qui doivent être respectées pour ne pas mettre en danger la sécurité des personnes.

### AVANT DE FAIRE FONCTIONNER LE MOTEUR :



#### AVERTISSEMENT

VEILLER À LIRE ET COMPRENDRE L'ENSEMBLE DES INSTRUCTIONS D'UTILISATION ET D'ENTRETIEN DE CETTE MACHINE, EN PLUS DE TOUTES LES INSTRUCTIONS DE SÉCURITÉ. LE NON-RESPECT DE CES INSTRUCTIONS PEUT ENTRAÎNER UNE PERTE DE CONTRÔLE DE LA MACHINE, DES BLESSURES GRAVES OU LA MORT DE L'OPÉRATEUR ET/OU D'AUTRES PERSONNES PRÉSENTES ET DES DOMMAGES MATÉRIELS. UTILISER LE MOTEUR CONFORMÉMENT AUX INSTRUCTIONS DE SÉCURITÉ FOURNIES ICI ET TOUT AU LONG DU MANUEL. QUICONQUE UTILISE CETTE MACHINE DOIT LIRE LES INSTRUCTIONS ET ÊTRE FAMILIARISÉ AVEC LES COMMANDES.



#### AVERTISSEMENT

INDIQUE UN DANGER QUI, S'IL N'EST PAS ÉVITÉ, PEUT PROVOQUER LA MORT OU DES BLESSURES CORPORELLES ET/OU DÉGÂTS MATÉRIELS GRAVES.



#### ATTENTION

INDIQUE UN RISQUE DE BLESSURES OU DE DOMMAGES AU MATÉRIEL SI LES INSTRUCTIONS DE SÉCURITÉ QUI SUIVENT CE MOT-INDICATEUR NE SONT PAS RESPECTÉES.



#### IMPORTANT

SIGNALE DES INFORMATIONS UTILES CONCERNANT L'ASSEMBLAGE, L'UTILISATION OU L'ENTRETIEN DU MATÉRIEL.



#### AVERTISSEMENT

##### AVERTISSEMENT PROPOSITION 65 DE CALIFORNIE

L'ÉCHAPPEMENT DU MOTEUR DE CE PRODUIT CONTIENT DES SUBSTANCES CHIMIQUES DÉCLARÉES RESPONSABLES DE CANCER, MALFORMATIONS CONGÉNITALES OU AUTRES ANOMALIES DE LA REPRODUCTION PAR L'ÉTAT DE CALIFORNIE.



#### AVERTISSEMENT

CERTAINS ÉLÉMENTS DANS CETTE MACHINE ET SES ACCESSOIRES CONTIENNENT DES SUBSTANCES CHIMIQUES DÉCLARÉES RESPONSABLES DE CANCER, MALFORMATIONS CONGÉNITALES OU AUTRES ANOMALIES DE LA REPRODUCTION PAR L'ÉTAT DE CALIFORNIE. SE LAVER LES MAINS APRÈS MANIPULATION.



## CONSIGNES GÉNÉRALES DE SÉCURITÉ

- Lire, comprendre et respecter toutes les instructions figurant sur la machine et dans le(s) manuel(s). Veiller à bien se familiariser avec les commandes et la bonne utilisation de la machine avant de la démarrer.
- Utiliser ce matériel exclusivement aux fins prévues.
- Veiller à se familiariser avec tous les autocollants de sécurité et d'exploitation apposés sur ce matériel et sur tous ses outils ou accessoires.
- Ne pas placer les mains ni les pieds sous ou à proximité d'une pièce en rotation.
- Permettre l'utilisation de la machine uniquement à des personnes responsables familiarisées avec les instructions. Ne pas laisser d'enfant utiliser cette machine. Ne pas laisser d'adulte utiliser cette machine sans instruction appropriée.
- Examiner avec soin la zone où la machine doit être utilisée et éliminer tous les objets étrangers. Ce matériel peut projeter violemment de petits objets et provoquer des dégâts matériels ou des blessures graves. Rester à l'écart des objets fragiles tels que les fenêtres de maison.
- Porter une tenue adaptée, notamment un blouson ou une chemise à manches longues. Porter également un pantalon long. Ne pas porter de pantalon court. Ne jamais porter de sandales, chaussures de sport ni chaussures ouvertes et ne jamais utiliser la machine pieds nus.
- Ne pas porter de vêtements flottants ni de bijoux. Ils peuvent être happés par les pièces en mouvement. Toujours tenir les mains, les pieds, les cheveux et les vêtements amples à l'écart de toute pièce en mouvement du moteur et de la machine.
- Toujours porter des lunettes à coques ou des lunettes de sécurité à écrans latéraux durant la marche de la machine pour protéger les yeux des objets étrangers susceptibles d'être projetés par la machine. Toujours porter une protection auditive.
- Toujours porter des gants de travail et des chaussures robustes. Porter des chaussures offrant une bonne adhérence sur les surfaces glissantes. Les chaussures de chantier ou bottines en cuir conviennent généralement bien. Elles protègent les chevilles et les tibia de l'opérateur contre les petits bouts de bois, échardes et autres débris.
- Il est conseillé de porter une protection de la tête contre les projections de terre et petits cailloux et pour éviter de heurter les branches basses et autres objets auxquels l'opérateur n'aurait pas prêté attention.
- Ne pas utiliser la machine si tous les carters de protection et autres dispositifs de sécurité ne sont pas en place.
- Voir les instructions d'Earthquake concernant l'utilisation et la pose d'accessoires. Utiliser exclusivement des accessoires homologués par Earthquake.
- Travailler uniquement durant la journée ou sous une bonne lumière artificielle.
- Ne pas utiliser la machine alors qu'on est fatigué ou sous l'emprise de l'alcool, des drogues ou de médicaments susceptibles de provoquer une somnolence ou d'altérer la capacité à utiliser la machine en toute sécurité.

- Ne jamais utiliser la machine dans de l'herbe mouillée. Veiller à toujours avoir le pied ferme; tenir fermement la poignée et marcher avec la machine; ne jamais courir.
- Prendre garde à la circulation lors de travaux à proximité d'une chaussée ou en traversant une rue.
- Si le matériel commence à vibrer anormalement, couper le moteur, débrancher le câble de bougie et l'empêcher de toucher la bougie. Rechercher immédiatement la cause. Les vibrations signalent généralement un problème. Si le bruit ou les vibrations de la machine augmentent, arrêter immédiatement et contrôler la machine.
- Ne jamais laisser la machine sans surveillance avec le moteur en marche.
- Contrôler régulièrement la machine. Vérifier qu'aucune pièce n'est déformée, endommagée ni desserrée.
- La température du silencieux et à son voisinage peut dépasser 65 °C (150 °F). Laisser le silencieux et les surfaces du moteur refroidir avant de les toucher. Ne jamais soulever ni porter la machine avec le moteur en marche.
- L'exposition prolongée au bruit et aux vibrations produites par du matériel à moteur à essence doit être évitée. Faire des pauses intermittentes et/ou porter une protection auditive contre le bruit du moteur, ainsi que des gants de travail épais pour réduire les vibrations dans les mains.
- Maintenir tous les boulons, vis et écrous bien serrés.
- Ne pas transporter la machine d'un endroit à l'autre avec le moteur en marche.
- Consulter la réglementation en vigueur concernant les restrictions d'âge pour l'utilisation de cette machine.

## CONSIGNES DE SÉCURITÉ PROPRES AU PRODUIT

- Ne pas percer au-dessus de canalisations souterraines, notamment conduites d'eaux, conduites de gaz, câbles électriques ou autres tuyaux. Ne pas utiliser le bloc moteur et la mèche de tarière dans un sol contenant de grosses roches et autres objets étrangers susceptibles d'endommager le matériel.
- Après avoir heurté un objet étranger, couper le moteur. Débrancher le câble de la bougie. Contrôler l'état du bloc moteur et de la tarière. En cas de dommages, réparer avant de démarrer et d'utiliser le bloc moteur et la tarière.
- La tarière ne doit pas tourner lorsque le moteur est au ralenti. Si elle tourne avec le moteur au ralenti, communiquer avec Earthquake pour obtenir des instructions.
- Si un objet s'est logé dans la tarière, couper le moteur, débrancher le câble de la bougie et le bloquer à l'écart de la bougie; laisser refroidir avant de tenter de déloger l'objet étranger.
- Le couteau de forage doit être très affûté. Faire preuve de beaucoup de précaution durant le forage ou pour changer les couteaux.
- Ne pas porter la tarière entre deux forages avec le moteur en marche.

## MESURES DE PRÉCAUTIONS CONCERNANT LE MOTEUR

### Danger d'intoxication au monoxyde de carbone

Les moteurs dégagent du monoxyde de carbone, un gaz toxique inodore et incolore. Du monoxyde de carbone peut être présent même si on ne peut ni sentir ni voir de gaz d'échappement du moteur. L'inhalation de monoxyde de carbone peut provoquer la nausée, la perte de conscience, voire la mort, en plus d'un état de somnolence, d'étourdissement et de confusion. En présence de l'un quelconque de ces symptômes, sortir à l'air frais et obtenir immédiatement des soins médicaux.

Si la machine est fournie avec manuel séparé pour le moteur, veiller à bien le lire et à suivre toutes les mises en garde et mesures de précaution qu'il contient, en plus de celles de ce manuel.

### Empêcher l'intoxication au monoxyde de carbone

- Toujours démarrer et faire tourner le moteur à l'extérieur. Ne pas démarrer ni faire tourner le moteur dans un espace fermé, même avec des portes ou des fenêtres ouvertes.
- Ne jamais essayer de ventiler l'échappement du moteur à l'intérieur. Le monoxyde de carbone peut atteindre des niveaux dangereux très rapidement.
- Ne jamais faire fonctionner le moteur à l'extérieur à un endroit où les fumées d'échappement peuvent être aspirées dans un bâtiment.
- Ne jamais faire fonctionner le moteur à l'extérieur dans un endroit mal aéré où les fumées d'échappement peuvent être piégées et difficiles à évacuer (exemples : fond de fouille ou aires de travail entourées de collines).
- Ne jamais faire tourner le moteur dans un endroit fermé ou partiellement fermé (exemples : bâtiments fermés sur un ou plusieurs côtés, sous une tente, abri à voiture ou sous-sol).
- Toujours faire fonctionner le moteur avec l'échappement et le silencieux pointés dans la direction opposée à l'opérateur.
- Ne jamais pointer le silencieux d'échappement vers quiconque. Les personnes présentes doivent toujours se tenir à bonne distance de la machine et de ses outils en marche.
- Ne pas modifier les réglages du régulateur de moteur et ni faire tourner le moteur en surrégime.

### Feux d'essence et manipulation du carburant

Faire preuve de beaucoup de prudence pour manipuler l'essence et autres carburants. Ils sont inflammables et leurs vapeurs sont explosives.

- Veiller à bien entreposer le carburant de réserve dans un bidon approprié et à l'écart de tout risque d'incendie.
- Empêcher les incendies et explosions causés par une décharge d'électricité statique. Utiliser exclusivement des bidons à carburant portables non métalliques homologués par Underwriter's Laboratory (U.L.) ou par l'American Society for Testing & Materials (ASTM).
- Toujours faire le plein du réservoir d'essence à l'extérieur, dans un endroit bien aéré. Ne jamais remplir le réservoir à l'intérieur

## AVERTISSEMENT

LES MOTEURS DÉGAGENT DU MONOXYDE DE CARBONE, UN GAZ TOXIQUE INODORE ET INCOLORE. DU MONOXYDE DE CARBONE PEUT ÊTRE PRÉSENT MÊME SI ON NE PEUT NI SENTIR NI VOIR DE GAZ D'ÉCHAPPEMENT DU MOTEUR. L'INHALATION DE MONOXYDE DE CARBONE PEUT PROVOQUER LA NAUSÉE, LA PERTE DE CONSCIENCE, VOIRE LA MORT, EN PLUS D'UN ÉTAT DE SOMNOLENCE, D'ÉTOURDISSEMENT ET DE CONFUSION.

EN PRÉSENCE DE L'UN QUELCONQUE DE CES SYMPTÔMES, SORTIR À L'AIR FRAIS ET OBTENIR IMMÉDIATEMENT DES SOINS MÉDICAUX.

## ATTENTION

LES GAZ CHAUDS SONT UN SOUS-PRODUIT NORMAL D'UN POT CATALYTIQUE QUI FONCTIONNE BIEN. SUIVRE TOUTES LES INSTRUCTIONS DE SÉCURITÉ POUR ÉVITER LES BRÛLURES ET LES INCENDIES.

### NE PAS ALTÉRER/MODIFIER LE MOTEUR :

NE JAMAIS ALTÉRER NI MODIFIER LE MOTEUR TEL QU'IL EST LIVRÉ DE L'USINE. LA MODIFICATION OU L'ALTÉRATION DU MOTEUR PEUT ENTRAÎNER DES BLESSURES GRAVES OU LA MORT.

AVANT DE TRAVAILLER SUR LE MOTEUR OU LA MACHINE OU DE CHANGER DES PIÈCES, VEILLER À TOUJOURS DÉBRANCHER LE CÂBLE DE BOUGIE ET À LE TENIR À L'ÉCART DE LA BOUGIE.

(exemples : sous-sol, garage, grange, remise, maison, galerie, etc.). Ne jamais remplir le réservoir près d'appareils à veilleuse, réchauffeurs et autres sources d'inflammation. Si le réservoir doit être vidangé, le faire à l'extérieur. Le carburant vidangé doit être conservé dans un bidon spécifiquement conçu pour le carburant ou il doit être éliminé avec précaution.

- Ne jamais ouvrir le bouchon du réservoir ni ajouter du carburant avec le moteur en marche. Couper le moteur et le laisser refroidir avant de refaire le plein.
- Ne pas fumer durant le remplissage ou la marche du moteur.
- Ne jamais vidanger le carburant du moteur dans un endroit fermé.
- Toujours essuyer l'excédent (débordement) de carburant de la surface du moteur avant de démarrer. Nettoyer immédiatement tout carburant déversé par accident. En cas de déversement accidentel, ne pas démarrer le moteur mais éloigner la machine et le bidon de carburant. Nettoyer le carburant déversé et le laisser s'évaporer et sécher après avoir essuyé et avant de démarrer.
- Laisser les vapeurs de carburant s'échapper de la zone avant de démarrer le moteur.

- Vérifier que le bouchon du réservoir est correctement en place avant de démarrer le moteur.
- Toujours faire fonctionner le moteur avec le bouchon de réservoir correctement fermé.
- Ne pas entreposer le moteur à l'intérieur avec du carburant dans le réservoir. Le carburant et ses vapeurs sont très explosifs.
- Entreposer la machine avec le bouchon du réservoir en haut.
- Ne jamais siphonner le carburant par la bouche pour vidanger le réservoir.
- Toujours faire remplir le réservoir de carburant par un adulte, jamais par un enfant.
- Ne jamais laisser une personne sous l'emprise de l'alcool ou de drogues faire le plein du moteur.
- Entreposer l'essence ou une machine avec du carburant dans le réservoir à l'écart de chaudières, poêles, chauffe-eau et autres appareils électroménagers comportant une veilleuse ou autre source d'inflammation susceptible d'enflammer les vapeurs d'essence.

### BRÛLURES ET FEUX

Le silencieux, le protège-silencieux et d'autres pièces du moteur deviennent extrêmement chaudes durant la marche du moteur. Ces pièces restent très chaude après l'arrêt du moteur.

#### Prévention des brûlures et des feux

- Ne jamais démonter le protège-silencieux du moteur.
- Ne jamais toucher le protège-silencieux parce qu'il est extrêmement chaud et provoquerait des blessures graves.
- Ne jamais toucher des pièces du moteur qui deviennent chaudes après la marche.
- Toujours tenir tous matériaux et débris à l'écart du protège-silencieux et autres pièces chaudes du moteur pour écarter les risques de feu.

### ENFANTS ET AUTRES PERSONNES PRÉSENTES

Il peut se produire des accidents tragiques si l'opérateur n'est pas conscient de la présence d'enfants et/ou autres personnes. Ne jamais supposer que les autres personnes resteront toujours au même endroit.

- Éloigner tout le monde de la zone de travail, en particulier les jeunes enfants et les animaux. Confier la surveillance des enfants à un adulte responsable.
- Rester alerte et couper la machine si des enfants entrent dans la zone de travail.
- Avant et durant les déplacements à reculons, regarder derrière soi et vers le bas.
- Ne jamais laisser d'enfant utiliser la machine.

### CONSIGNES DE SÉCURITÉ

- Porter le bloc moteur et la tarière par les poignées seulement, PAS par l'outil.
- Garder les membres du corps, les vêtements amples et les objets étrangers à l'écart de la tarière en rotation.
- Vérifier que la tarière est solidement attachée au bloc moteur durant l'utilisation.
- Ne jamais porter la tarière entre deux forages avec le moteur en marche.
- Cette tarière n'est pas conçue pour servir de dispositif d'ancrage.

### ENTRETIEN

- Toujours couper le moteur avant de s'éloigner de la machine et de la nettoyer, la réparer ou la contrôler. Le moteur doit être à l'arrêt et froid et le câble de bougie débranché de la bougie avant toute tentative de réparation ou de réglage. Ne jamais effectuer de réglage ou de réparation avec le moteur en marche. Débrancher le câble de bougie et le tenir à l'écart de la bougie pour éviter tout démarrage accidentel. Si la machine est à démarrage électrique, retirer la clé de contact.
- Toujours porter une protection oculaire pour effectuer des réglages ou des réparations.
- Maintenir tous les écrous et boulons bien serrés et le matériel en bon état.
- Ne jamais modifier des dispositifs de sécurité. Contrôler régulièrement leur bon fonctionnement.
- Lors de l'entretien ou des réparations, ne pas basculer ni retourner la machine sauf sur instruction spécifique dans ce manuel. Les procédures d'entretien et de réparation peuvent se faire avec la machine en position verticale. Certaines procédures sont plus faciles à effectuer si la machine est sur une plateforme surélevée ou un plan de travail.
- Pour réduire le risque d'incendie, éviter toute accumulation d'herbes, de feuilles et autres débris sur la machine. Nettoyer les déversements d'huile ou de carburant. Laisser la machine refroidir avant de la ranger.
- Couper le moteur et contrôler le matériel après avoir heurté un objet. Effectuer les réparations nécessaires avant de redémarrer.
- Nettoyer et remplacer les autocollants de sécurité et d'instruction comme il se doit.
- Pour protéger le moteur contre la surchauffe, s'assurer que la grille à débris du moteur est toujours en place et propre.
- Contrôler la machine avant de l'entreposer. Lorsqu'elle n'est pas utilisée, débrancher le câble de bougie et entreposer la machine à l'intérieur dans un endroit sec verrouillé ou normalement inaccessible aux enfants.
- Utiliser exclusivement des pièces d'origine Earthquake d'origine, y compris tous les écrous et boulons.

## SYMBOLES ET AUTOCOLLANTS DE SÉCURITÉ

Ce bloc moteur est conçu et fabriqué pour offrir toute la sécurité et la fiabilité qu'on est en droit d'attendre d'un leader du marché de l'outillage motorisé pour travaux extérieurs.

Le présent manuel et les instructions de sécurité qu'il contient fournissent les connaissances de base nécessaires pour utiliser ce matériel efficacement et en toute sécurité. Nous avons apposé un autocollant de sécurité sur le bloc moteur pour rappeler certaines de ces informations importantes à l'opérateur durant l'utilisation de la machine. Les illustrations ci-dessous ont pour objet de familiariser l'utilisateur avec l'emplacement et le contenu de ces importants messages de sécurité, visibles durant les opérations normales de forage. Veiller à les passer en revue maintenant et, en cas de doute concernant leur signification ou le respect de ces instructions, relire complètement les instructions de sécurité du manuel. Pour toute question, nos clients européens peuvent s'adresser à leur concessionnaire local, nos clients américains doivent s'adresser au service après-vente Earthquake.

Si un autocollant devient illisible en raison de son usure, sa décoloration ou autre dommage subi pendant l'utilisation du bloc moteur, utiliser le numéro de référence indiqué dans la liste des pièces détachées pour commander une étiquette de rechange. Nos clients européens peuvent passer commande auprès de leur concessionnaire agréé local, nos clients américains directement auprès du service après-vente Earthquake. Ces autocollants sont faciles à appliquer et constituent, pour les utilisateurs de la machine, un rappel visuel constant à respecter les mesures de précaution nécessaires à une exploitation sécuritaire et efficace du bloc moteur.

Les symboles suivant peuvent figurer sur le moteur pour mettre en garde contre des dangers potentiels ou fournir des indications concernant le fonctionnement du bloc moteur. Veiller à les examiner et à comprendre leur signification avant d'utiliser le bloc moteur.

### Symboles de sécurité ou de danger



Risques d'incendie



Vapeurs toxiques



Porter une protection auditive et oculaire



Pièces en mouvement



Danger de choc électrique



Lire le manuel avant utilisation



Surfaces chaudes

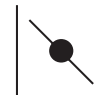


Chaud! Ne pas toucher.

### Symboles de commandes d'exploitation



Lent



Volet de départ



Rapide



Marche/Arrêt



Carburant



Coupure carburant



Huile

## ASSEMBLAGE

### OUTILS REQUIS :

- Deux (2) clés 9/16 pouce

### INSTRUCTIONS D'ASSEMBLAGE : (VOIR FIGURE 1)

1. Insérez l'arbre de sortie de la transmission e43 (a) dans l'extrémité libre du dessus d'amortisseur flex coil (b).
2. Alignez les trous des boulons à travers le dessus d'amortisseur Flex Coil et l'arbre de sortie de la transmission.
3. Placez le boulon 3/8-16 x 1.5 pouce inclus (C) à travers le trou du boulon.
4. Enfilez à la main le contre-écrou 3/8-16 x 1.5 pouce (D) sur le boulon.
5. En utilisant deux clés de 9/16 pouce, serrez fermement l'écrou et le boulon.  
E43 et EA8F illustrés. Les instructions s'appliquent aussi pour les tarières EA6F et EA10F.
6. Fileter à la main la pointe bilame (E) dans l'extrémité ouverte inférieure dans la tige de la tarière (F). (Bloc moteur avec vis sans fin de 8 pouces fournie uniquement, le modèle 35064)

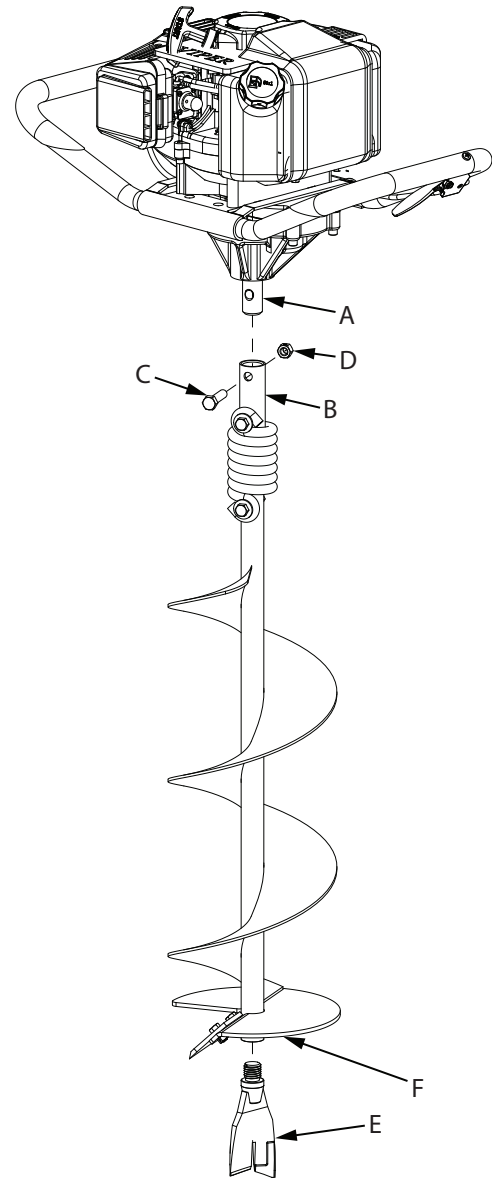


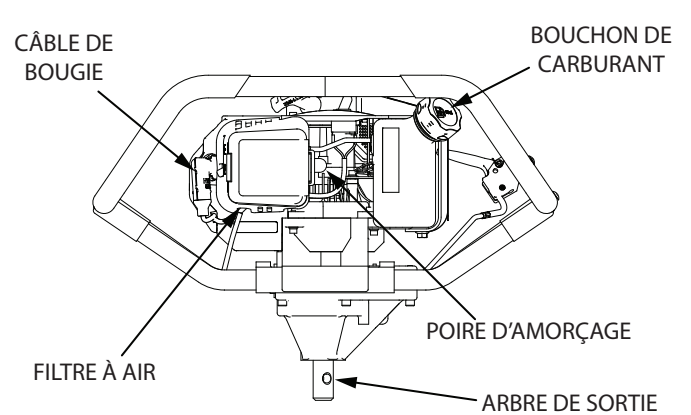
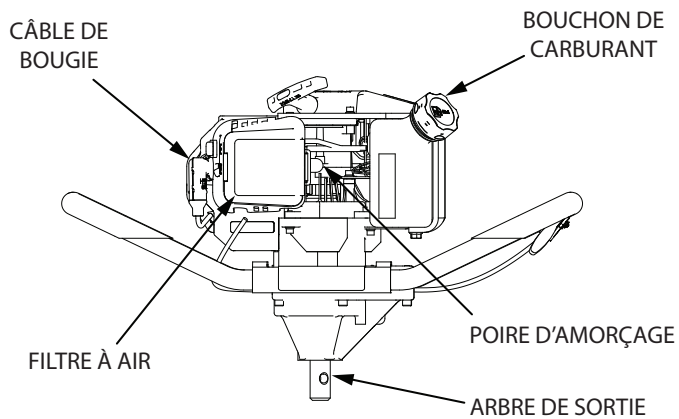
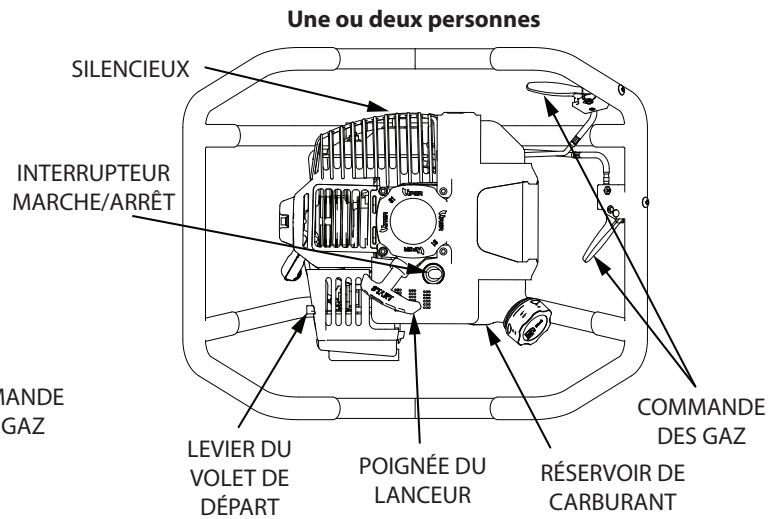
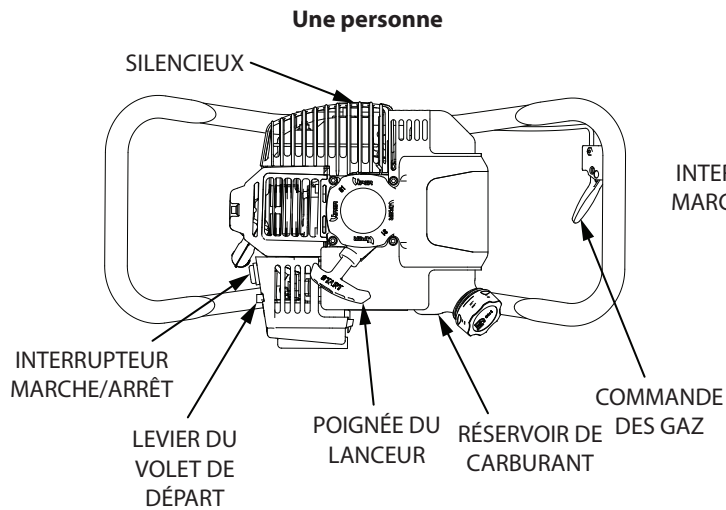
Figure 1 - Modèle une personne illustré

### AVERTISSEMENT

**NE PAS FUMER NI SE TENIR PRÈS D'UNE FLAMME NUE OU D'AUTRES DANGERS POTENTIELS POUR FAIRE REFAIRE LE PLEIN DE CARBURANT.**

**LE CARBURANT EST TRÈS INFLAMMABLE ET DOIT ÊTRE MANIPULÉ AVEC PRÉCAUTION. NE JAMAIS REFAIRE LE PLEIN ALORS QUE LE MOTEUR EST CHAUD OU EN MARCHÉ. TOUJOURS FAIRE LE PLEIN DE CARBURANT À L'EXTÉRIEUR.**

## CARACTÉRISTIQUES DU BLOC MOTEUR :



## UTILISATION

### QUALITÉ DE L'ESSENCE ET DE L'HUILE

Nous conseillons d'utiliser de l'huile deux temps de marque Viper® dans le mélange de carburant pour assurer le bon fonctionnement du moteur sur toute sa durée de service. L'huile deux temps de marque Viper® contient un additif stabilisateur de carburant qui empêche l'oxydation de l'essence et l'encrassement du carburateur si la machine reste inutilisée pendant des durées prolongées. Utiliser exclusivement de l'essence ordinaire sans plomb. Il est préférable d'utiliser du supercarburant qui ne contient pas d'éthanol.

**REMARQUE : L'huile Viper® peut être achetée sur notre site Web à [www.getearthquake.com](http://www.getearthquake.com).**

### MÉLANGE

Faire fonctionner la tarière avec un mélange de 50:1.

ESSENCE	HUILE	PROPORTION
5 litres (1 gallon)	10 cl (2,5 once)	50:1
10 litres (2 gallons)	20 cl (5 onces)	50:1
20 litres (5 gallons)	40 cl (13 onces)	50:1

## PRÉPARER LE MÉLANGE ET REMPLIR LE RÉSERVOIR

### PRÉPARATION DU MÉLANGE DE CARBURANT

1. Le mélange de carburant doit être préparé dans un récipient placé à l'extérieur dans un endroit bien aéré.
2. Remplir un bidon à carburant homologué au quart plein avec de l'essence recommandée.
3. Ajouter la quantité recommandée d'huile 2 temps.
4. Visser le capuchon du bidon bien droit et serré.
5. Agiter le récipient pour mélanger l'huile et l'essence.
6. Dévisser le capuchon lentement pour laisser s'échapper la pression, puis ajouter le reste de la quantité d'essence requise.
7. Essuyer toute huile ou essence déversée et laisser évaporer avant de déplacer ou de transporter la machine.

### REMPLEISSAGE DU RÉSERVOIR DE CARBURANT

1. Couper le moteur et laisser le moteur refroidir complètement avant de refaire le plein du réservoir.
2. Se placer dans un endroit bien aéré, à l'extérieur, à l'écart de flammes et d'étincelles.
3. Nettoyer les saletés autour du bouchon de réservoir.
4. Desserrer lentement le bouchon de réservoir.
5. Verser le carburant avec précaution sans en renverser.

6. Ne pas remplir complètement le réservoir; prévoir de l'espace pour la dilatation du carburant.
7. Remettre immédiatement le bouchon de réservoir en place et le serrer. Essuyer tout carburant déversé et laisser sécher avant de démarrer le moteur.



## ATTENTION

### **NE PAS ALTÉRER/MODIFIER LE MOTEUR OU LA TARIÈRE :**

**NE JAMAIS ALTÉRER NI MODIFIER LE MOTEUR TEL QU'IL EST LIVRÉ DE L'USINE. LA MODIFICATION OU L'ALTÉRATION DU MOTEUR PEUT ENTRAÎNER DES BLESSURES GRAVES OU LA MORT.**

**AVANT DE TRAVAILLER SUR LE MOTEUR OU LA TARIÈRE OU DE CHANGER DES PIÈCES, VEILLER À TOUJOURS DÉBRANCHER LE CÂBLE DE BOUGIE ET À LE TENIR À L'ÉCART DE LA BOUGIE.**

**TOUJOURS PORTER UNE PROTECTION AUDITIVE LORSQUE LE MOTEUR EST EN MARCHÉ.**

**NE PAS DÉMARRER LA TARIÈRE AVANT D'AVOIR LU LA SECTION PRÉCÉDENTE DE CE MANUEL. SI ELLE A ÉTÉ LUE, SUIVRE LES INSTRUCTIONS CI-DESSOUS POUR DÉMARRER LA TARIÈRE.**

**NE JAMAIS ENTREPOSER LE MOTEUR À L'INTÉRIEUR AVEC DU CARBURANT DANS LE RÉSERVOIR. LE CARBURANT ET SES VAPEURS SONT TRÈS INFLAMMABLES.**

**NE JAMAIS MÉLANGER L'ESSENCE ET L'HUILE DIRECTEMENT DANS LE RÉSERVOIR DE CARBURANT DU MOTEUR. UTILISER EXCLUSIVEMENT DES BIDONS À CARBURANT PORTABLES NON MÉTALLIQUES HOMOLOGUÉS PAR UNDERWRITER'S LABORATORY (U.L.) OU PAR L'AMERICAN SOCIETY FOR TESTING & MATERIALS (ASTM).**

**LA MANIPULATION DU CARBURANT ET LE REMPLISSAGE DU RÉSERVOIR DOIVENT TOUJOURS ÊTRE EFFECTUÉS PAR UN ADULTE.**

**TOUJOURS MANIPULER LE CARBURANT DANS UN ENDROIT BIEN AÉRÉ, À L'EXTÉRIEUR, À L'ÉCART DE FLAMMES OU D'ÉTINCELLES.**



## IMPORTANT

**CE MOTEUR UTILISE UN MÉLANGE ESSENCE-HUILE. NE PAS LE FAIRE FONCTIONNER AVEC DE L'ESSENCE PURE. CELA ANNULE LA GARANTIE ET ENDOMMAGE LE MOTEUR.**

**FONCTIONNEMENT NORMAL**

1. L'embrayage transférera une puissance maximale après environ deux heures de fonctionnement normal. Durant cette période de rodage, des glissements peuvent se produire au niveau de l'embrayage. L'embrayage doit être exempt d'huile ou autre humidité pour un fonctionnement efficace.
2. Percez des trous sans mettre un poids corporel excessif sur l'unité. La tarière obtient son efficacité maximale avec une action de rasage causée par le poids de l'unité en elle-même.
3. Ne faites jamais fonctionner le moteur à l'intérieur. Les fumées d'échappement sont mortelles.
4. N'utilisez pas une tarière de sol dans la glace.

**AVERTISSEMENT**

**ASSUREZ-VOUS QUE L'UNITÉ SOIT EN POSITION STABLE AVANT DE TIRER LA POIGNÉE DE DÉMARRAGE.**

**LORSQUE L'UNITÉ COMMENCE À ALLUMER OU À FONCTIONNER, RELÂCHEZ MOMENTANÉMENT LA COMMANDE DES GAZ AVEC VOTRE MAIN DROITE ET REMETTEZ VOTRE MAIN GAUCHE SUR LE GUIDON POUR MAINTENIR LE CONTRÔLE ET LA STABILITÉ DE L'UNITÉ AVEC LES DEUX MAINS.**



## DÉMARRER ET ARRÊTER LE MOTEUR

- Placer le moteur dans un endroit bien aéré, à l'extérieur, pour éviter toute intoxication au monoxyde de carbone.
- Se tenir à l'écart de toutes flammes ou étincelles pour écarter le risque d'inflammation des vapeurs.
- Éliminer tous les débris des orifices de l'épurateur d'air et du bouchon de carburant pour assurer un écoulement d'air correct.

### DÉMARRAGE À FROID

Démarrage du moteur pour la première fois, après que le moteur a refroidi ou après une panne de carburant.

1. Placer le levier du volet de départ en position **ÉTRANGLÉ**.

**REMARQUE : la position ÉTRANGLÉ correspond à l'engagement à fond du levier de départ.**

2. Amorcer la machine jusqu'à ce que le tuyau d'amorçage soit rempli de carburant.

**REMARQUE : Lors de l'utilisation de la poire d'amorçage, laisser la poire revenir complètement dans sa position initiale entre deux pressions.**

3. Placer l'interrupteur **MARCHE/ARRÊT** en position **MARCHE**.
4. Tenir fermement la barre de poignée. Saisir la poignée du lanceur et tirer lentement jusqu'à sentir une légère résistance. Sans laisser le lanceur se rétracter, tirer le cordon à fond d'un mouvement rapide du bras. Le laisser revenir très lentement en position de repos jusqu'à ce que la machine démarre. Répéter cette étape chaque fois que le cordon du lanceur est tiré.

**REMARQUE : Si le moteur ne démarre pas au bout de 5 à 6 traction, appuyer 1 fois sur la poire d'amorçage et tirer une nouvelle fois sur le cordon.**

5. Une fois que le moteur est en marche, ramener le levier de départ en position **SEMI-ÉTRANGLÉ** jusqu'à ce que le moteur tourne à un régime stable.

**NOTE: la position SEMI-ÉTRANGLÉ correspond à l'engagement du levier entre ÉTRANGLÉ et MARCHE.**

6. Placer le levier de départ en position **MARCHE** et placer la commande des gaz dans la position souhaitée.

**REMARQUE : Faire tourner le moteur à pleins gaz autant que possible. Ne pas le laisser au ralenti pendant des durées prolongées.**

7. Pour arrêter le moteur, enfoncer l'interrupteur **MARCHE/ARRÊT** jusqu'en position **ARRÊT**.

### DÉMARRAGE MOTEUR TIÈDE

1. Placer le levier du volet de départ en position **ÉTRANGLÉ**.

**REMARQUE : la position ÉTRANGLÉ correspond à l'engagement à fond du levier de départ.**

2. Continuer à l'étape 4 du démarrage à froid.

## ATTENTION

**S'ASSURER QUE LA MACHINE EST EN POSITION STABLE AVANT DE TIRER SUR LA POIGNÉE DU LANCEUR.**

**TOUJOURS MANIPULER LE CARBURANT DANS UN ENDROIT BIEN AÉRÉ, À L'EXTÉRIEUR, À L'ÉCART DE FLAMMES OU D'ÉTINCELLES.**

**TOUJOURS PORTER UNE PROTECTION AUDITIVE.**

**NE PAS DÉMARRER LE MOTEUR EN CAS DE DÉVERSEMENT ACCIDENTEL DE CARBURANT. ESSUYER LE CARBURANT DÉVERSÉ ET LAISSER SÉCHER. ÉLOIGNER LE MOTEUR DE LA ZONE POUR ÉVITER LES ÉTINCELLES.**

**SI LA MÈCHE DE TARIÈRE EST MONTÉE SUR LE MOTEUR, TOUTES LES PROTECTIONS DOIVENT ÊTRE SOLIDEMENT EN PLACE POUR ÉVITER LES BLESSURES GRAVES.**

**LE CORDON DU LANCEUR PEUT PROVOQUER UNE BRUSQUE TRACTION INATTENDUE EN DIRECTION DU MOTEUR. SUIVRE LES INSTRUCTIONS POUR ÉVITER TOUTE BLESSURE.**

**SI LE MOTEUR NE DÉMARRE PAS APRÈS LA PROCÉDURE DE DÉMARRAGE, COMMUNIQUER AVEC NOTRE SERVICE APRÈS-VENTE AU 800-345-6007.**

**NE JAMAIS LAISSER LE MOTEUR EN MARCHE SANS SURVEILLANCE. LE COUPER APRÈS CHAQUE UTILISATION.**

**NE JAMAIS PORTER LE BLOC MOTEUR ET LA TARIÈRE ENTRE DEUX FORAGES AVEC LE MOTEUR EN MARCHE.**

### DÉMARRAGE À CHAUD :

1. Commencer à l'étape 4 du démarrage à froid.
2. Si le moteur ne démarre pas, se reporter à l'étape 1 du démarrage moteur tiède.

### **NE PAS tenter de démarrer le moteur des façons suivantes :**

- Utilisation d'un liquide de démarrage.
- Pulvérisation de liquides ou vapeurs inflammables dans l'épurateur d'air, le carburateur ou le logement de bougie.
- En retirant la bougie et en tirant sur le cordon du lanceur. Du carburant peut gicler hors du moteur et être enflammé par une étincelle ou par la bougie.

### **POUR ARRÊTER LE MOTEUR :**

Enfoncer l'interrupteur **MARCHE/ARRÊT** jusqu'en position **ARRÊT**.

## ENTRETIEN ET ENTREPOSAGE

### TRAVAILLER SUR LA MACHINE

1. Mettre l'interrupteur du moteur en position d'arrêt.
2. Débrancher le câble de bougie de la bougie.
3. Placer le câble de bougie débranché de façon sûre à l'écart de la bougie et de toute pièce métallique. Cela est absolument nécessaire pour éviter qu'il se produise un arc électrique entre le câble de bougie et des pièces métalliques.
4. Remplacer ou réparer la pièce défectueuse sur le bloc moteur.
5. Contrôler toutes les pièces réparées ou déposées durant la réparation pour vérifier qu'elles sont correctement fixées.  
**REMARQUE : Toutes les pièces réparées doivent provenir de l'usine. Ne jamais utiliser de pièces de rechange qui ne sont pas spécifiquement conçues pour le bloc moteur.**
6. Rebrancher le câble de bougie.

### ENTRETIEN DE LA TARIÈRE À MOTEUR

1. Le carter d'engrenages est rempli de 115 g (4 oz) de graisse à l'usine. Il est recommandé que toutes les 50 heures le carter d'engrenage être divisée et le niveau de graisse vérifié. Compléter le niveau uniquement s'il est plus bas que le sommet des pignons. **NE PASTROP REMPLIR!** De la graisse de rechange est proposée en ligne (voir Pièces détachées).
2. Maintenir tous les boulons, vis et écrous bien serrés.
3. Pour une utilisation par temps froid, entreposer la machine dans un endroit frais. Le transfert de la machine du chaud au froid peut provoquer l'accumulation d'une condensation préjudiciable.
4. Si la tarière perd de son efficacité, contrôler avec soin l'état d'usure du tranchant des couteaux. Si les couteaux présentent des signes d'usure, ils doivent être changés.

### ENTRETIEN DU MOTEUR

Reportez-vous au manuel de garantie du moteur fourni avec votre produit pour le calendrier d'entretien.

Un bon entretien est indispensable à un fonctionnement sûr, économique et sans panne de la machine. Cela réduit également la pollution de l'air. Pour assurer des soins corrects du moteur, les pages suivantes comportent un calendrier d'entretien, des instructions de contrôle courant et des instructions d'entretien élémentaire au moyen d'outils à mains de base. Il est préférable de confier à des professionnels les tâches d'entretien ou de réparation plus difficiles ou nécessitant un outillage spécial et qui sont normalement effectuées par un technicien ou autre mécanicien qualifié.

**L'entretien, le remplacement et la réparation des dispositifs et systèmes de contrôle des émissions peuvent être effectués par tout mécanicien ou atelier de réparation de moteurs non routiers. Toutefois, ces éléments doivent être confiés à un concessionnaire agréé pour bénéficier d'un service de contrôle des émissions « sans frais ».**

### ATTENTION

#### **POUR ÉVITER LES DÉMARRAGES INTEMPESTIFS :**

**COUPER LE MOTEUR, LE LAISSER REFROIDIR ET DÉBRANCHER LE CÂBLE DE BOUGIE DE LA BOUGIE AVANT TOUT CONTRÔLE OU RÉGLAGE DU MOTEUR OU DE LA MACHINE.**

**LA TEMPÉRATURE DU SILENCIEUX ET À SON VOISINAGE PEUT DÉPASSER 65 °C (150 °F). ÉVITER DE TOUCHER CES SURFACES.**

**VÉRIFIER LE SERRAGE DES ÉCROUS ET BOULONS DE LA TARIÈRE. VEILLER À LES MAINTENIR BIEN SERRÉS.**

**NE JAMAIS ENTREPOSER LE MOTEUR AVEC DU CARBURANT DANS LE RÉSERVOIR À L'INTÉRIEUR D'UN BÂTIMENT. CELA PRÉSENTE UN RISQUE D'INFLAMMATION DU CARBURANT OU DE SES VAPEURS PAR DES ÉTINCELLES POTENTIELLES.**

**L'ENTRETIEN ET LES RÉPARATIONS DU MOTEUR ET DE LA TARIÈRE DOIVENT TOUJOURS ÊTRE EFFECTUÉS PAR UN ADULTE.**

**COUPER LE MOTEUR, LE LAISSER REFROIDIR ET DÉBRANCHER LE CÂBLE DE BOUGIE AVANT TOUTE RÉPARATION OU OPÉRATION D'ENTRETIEN.**

### AILETTES DE REFROIDISSEMENT

Les ailettes de refroidissement, les entrées d'air et les tringles doivent être nettoyées de toute saleté avant chaque utilisation.

### FILTRE À AIR

Ne jamais faire fonctionner le moteur sans l'épurateur d'air en place. Une usure additionnelle et la défaillance du moteur sont possibles si l'épurateur d'air n'est pas monté sur le moteur.

Effectuer l'entretien de l'épurateur d'air tous les 3 mois ou après 20 heures de marche. **Nettoyer le filtre chaque jour en cas de conditions extrêmement poussiéreuses.**

### IMPORTANT

**NE JAMAIS VRILLER LES FILTRES À AIR DURANT LEUR NETTOYAGE. TOUJOURS LES PRESSER.**

## NETTOYAGE DU FILTRE À AIR DE TYPE BLOC DE MOUSSE

1. Avant de déposer le couvercle de filtre à air, engager le levier de départ. **VOIR FIGURE 2.**
2. Pour détacher le couvercle de filtre à air, serrer les pattes de fermeture de part et d'autre du couvercle. **VOIR FIGURE 3.**
3. Une fois que les pattes sont dégagées, retirer le couvercle de filtre à air en le pivotant pour l'écarter du moteur. **VOIR FIGURE 4.**
4. Sortir l'élément filtrant en mousse (**VOIR FIGURE 5**) et le remplacer par un filtre neuf huilé ou nettoyer le filtre en mousse d'origine dans de l'eau chaude et du savon doux conformément aux instructions de Nettoyage du filtre à air. Penser à huiler soigneusement le filtre en mousse avec de l'huile moteur d'indice 30 ou 40 et essorer tout excédent d'huile.
5. Remettre l'élément filtrant en place en appuyant dessus pour l'engager à fond de façon étanche. **VOIR FIGURE 6.**
6. Remonter le couvercle de filtre à air en s'assurant qu'il s'enclenche complètement et soit fixé par les pattes de fermeture. Tirer légèrement sur le couvercle pour vérifier qu'il est solidement fixé. Le couvercle est bien fixé s'il ne bouge pas lorsqu'on tire dessus.

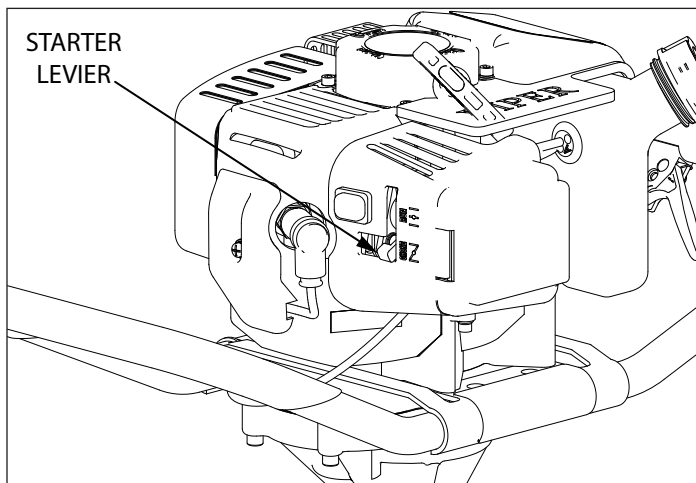


Figure 2

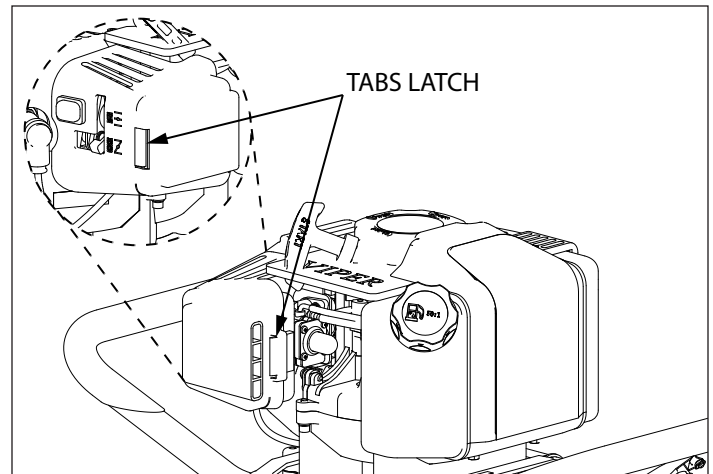


Figure 3

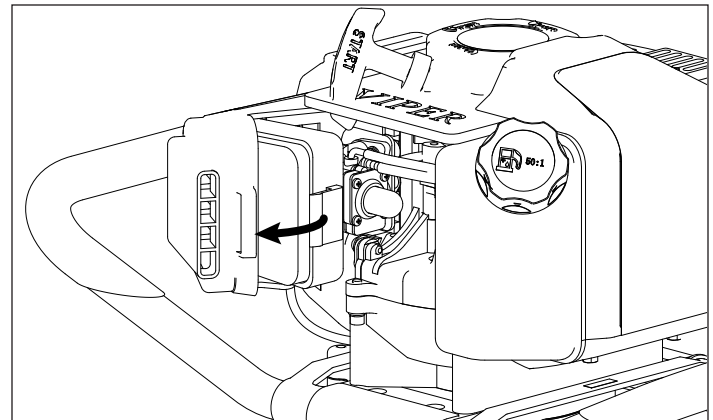


Figure 4

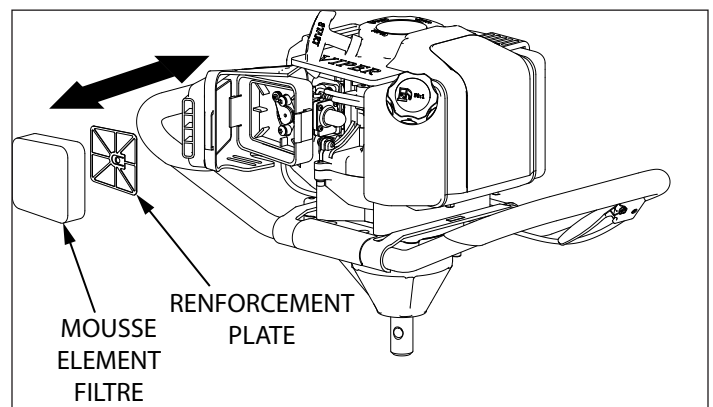


Figure 5

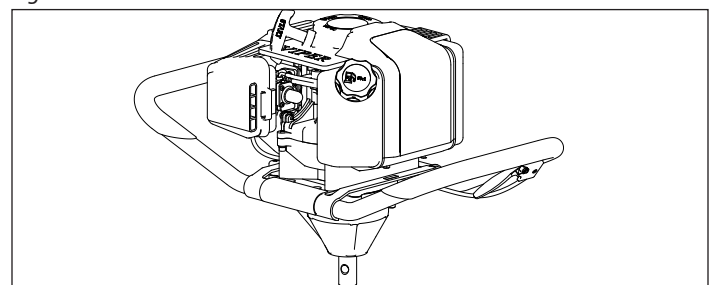


Figure 6

Modèle une personne illustré

## BOUGIE

Voir la bougie recommandée à la section Pièces détachées.

1. Contrôler la bougie au début de chaque saison.
2. Débrancher le capuchon de bougie et nettoyer toutes les saletés autour de la bougie.
3. Retirer la bougie et la changer dans les cas suivants : électrodes piquées, électrodes brûlées, porcelaine fissurée ou dépôts autour des électrodes.
4. Après examen, revisser la bougie à fond et la serrer avec une clé à bougie.
  - Bougie d'origine : serrer de 1/2 tour supplémentaire.
  - Bougie neuve : régler l'écartement des électrodes à 0,7 mm (0,028 po) et serrer de 1/8 à 1/4 tour supplémentaire.

**REMARQUE : Une bougie mal serrée peut surchauffer et endommager le moteur. Un serrage excessif de la bougie peut endommager le filetage de la culasse.**

## CARBURATEUR

Ne jamais modifier le réglage d'usine du carburateur.

## TRANSPORT DE LA TARIÈRE

1. Ne jamais porter le moteur à l'intérieur d'un espace ou véhicule fermé. Le carburant ou ses vapeurs peuvent s'enflammer et provoquer des blessures graves ou la mort.
2. S'il y a du carburant dans le réservoir, transporter la machine dans un véhicule ouvert en position verticale.
3. Si un véhicule fermé doit être utilisé, transférer le carburant dans un bidon d'essence rouge homologué. **NE PAS siphonner par la bouche.**
4. Faire tourner le moteur pour consommer le reste de carburant présent dans le carburateur et le réservoir. Toujours faire tourner le moteur dans un endroit bien aéré.
5. Essuyer tout déversement de carburant sur le moteur et la tarière. Laisser sécher.

## ENTREPOSAGE DE LONGUE DURÉE (30 JOURS OU PLUS SANS UTILISATION)

Si la tarière ne doit pas être mise en marche pendant un mois ou plus, la préparer pour l'entreposage de longue durée.

## PRÉPARATION À L'ENTREPOSAGE DE LONGUE DURÉE

1. Ajouter du stabilisateur de carburant conformément aux instructions du fabricant.
2. Faire tourner le moteur pendant 10 à 15 minutes afin que le stabilisateur atteigne le carburateur.
3. Vider le reste de carburant du réservoir dans un bidon d'essence homologué.
4. Retirer la tarière du bloc moteur et enduire l'arbre de sortie du réducteur d'une fine couche de graisse.
5. Entreposer la tarière et le bloc moteur en position verticale.
6. Éliminer tous débris de la tarière et du bloc moteur.

## ATTENTION

**POUR ÉCARTER LES DANGERS DE BLESSURE OU DE MORT, NE JAMAIS SIPHONNER LE CARBURANT PAR LA BOUCHE.**

**NE JAMAIS ENTREPOSER LA TARIÈRE À MOTEUR AVEC DU CARBURANT DANS LE RÉSERVOIR À L'INTÉRIEUR D'UN BÂTIMENT OU D'UN LOCAL FERMÉ.**

### **POUR ÉVITER LES DÉMARRAGES INTEMPESTIFS :**

**COUPER LE MOTEUR, LE LAISSER REFROIDIR ET DÉBRANCHER LE CÂBLE DE BOUGIE DE LA BOUGIE AVANT TOUT CONTRÔLE OU RÉGLAGE DU MOTEUR OU DE LA MACHINE.**

**L'ENTRETIEN ET LES RÉPARATIONS DU MOTEUR ET DE LA TARIÈRE DOIVENT TOUJOURS ÊTRE EFFECTUÉS PAR UN ADULTE.**

**COUPER LE MOTEUR, LE LAISSER REFROIDIR ET DÉBRANCHER LE CÂBLE DE BOUGIE AVANT TOUTE RÉPARATION OU OPÉRATION D'ENTRETIEN.**

## DÉPANNAGE ET RÉPARATION

Chez Earthquake, nous intégrons la qualité et la durabilité dans la conception de nos produits; mais toute la conception soignée et tout l'entretien attentionné ne sauraient garantir une existence totalement exempte de réparation du bloc moteur Earthquake. La majorité des problèmes sont mineurs et aisément résolus en suivant les indications du guide de dépannage de ce manuel.

Ce guide de dépannage aide à diagnostiquer les causes des problèmes les plus courants et à identifier leurs solutions.

Pour les réparations plus compliquées, il est préférable de s'adresser à un centre de réparation agréé ou directement à Earthquake. Une liste des pièces détachées est fournie avec ce produit.

Nous sommes toujours heureux de répondre à toute question ou d'aider à trouver l'assistance qui convient. Pour commander des pièces ou se renseigner sur la garantie, communiquer avec nous par téléphone ou par courriel en utilisant les coordonnées de la section « Commande de pièces de rechange ».

## COMMANDE DE PIÈCES DE RECHANGE

Les pièces peuvent s'obtenir directement auprès de l'usine. Pour commander des pièces, visiter [www.getearthquake.com](http://www.getearthquake.com) ou appeler le 1-800-345-6007.

Pour les questions plus générales, envoyer un courriel à [info@ardisam.com](mailto:info@ardisam.com).

**POUR RECOURIR AU SERVICE APRÈS-VENTE, NE PAS RENVOYER LE PRODUIT AU REVENDEUR. APPELER EARTHQUAKE AU 800-345-6007.**


Joindre les renseignements suivants à la commande :

- 1) Référence des pièces
- 2) Description des pièces
- 3) Quantité
- 4) Numéro de modèle et numéro de série

**DÉPANNAGE**

PROBLÈME	CAUSE POSSIBLE	SOLUTION/ACTION
Le moteur ne démarre pas	1. Interrupteur en position d'arrêt	1. Mettre l'interrupteur en position <b>MARCHE</b>
	2. Câble de bougie débranché	2. Brancher le câble sur la bougie
	3. Panne d'essence	3. Refaire le plein
	4. Bougie humide, défectueuse ou d'écartement incorrect	4. Nettoyer, changer ou régler la bougie
	5. Tuyau de carburant pas placé au fond du réservoir	5. Pousser le tuyau de carburant vers le bas dans le réservoir
	6. Carburant vicié	6. Vidanger le carburant usagé et le remplacer par du frais. Utiliser du stabilisateur de carburant à titre préventif.
Le moteur a des ratés et se noie durant la marche	1. Filtre à air sale	1. Nettoyer ou changer le filtre à air
	2. Levier de départ partiellement engagé	2. Désengager le levier de départ
	3. Le carburateur est déréglé	3. Appeler l'usine ou apporter à un centre de réparation agréé
Le moteur est difficile à démarrer	1. Carburant vicié	1. Vidanger le carburant usagé et le remplacer par du frais. Utiliser du stabilisateur de carburant à titre préventif.
	2. Câble de bougie lâche	2. Vérifier que le câble de bougie est solidement engagé sur la bougie
	3. Carburateur sale	3. Nettoyer le carburateur, utiliser du stabilisateur de carburant, un bidon d'essence neuf ou acheter un carburateur de rechange ou une trousse de réparation (voir Pièces détachées)
	4. Carburateur non amorcé	4. Amorcer le moteur 3 fois supplémentaires et serrer la commande des gaz en tirant sur le cordon du lanceur
Le moteur a des ratés ou manque de puissance	1. Réservoir de carburant obstrué	1. Démontez et nettoyez
	2. Filtre à air encrassé	2. Nettoyer ou changer
	3. Carburateur déréglé ou défectueux	3. Appeler l'usine ou apporter à un centre de réparation agréé
	4. Bougie humide, défectueuse ou d'écartement incorrect	4. Nettoyer, changer ou régler la bougie
Le moteur tourne, puis cale	1. Bouchon de réservoir étanche à l'air	1. Dévisser le bouchon de réservoir puis le resserrer
	2. Filtre à carburant obstrué	2. Nettoyer ou changer
	3. Carburateur déréglé ou défectueux	3. Appeler l'usine ou apporter à un centre de réparation agréé
Régime moteur trop élevé	1. Carburateur déréglé ou fuite d'air dans l'admission	1. Appeler l'usine ou apporter à un centre de réparation agréé
La tarière tourne au ralenti	1. Régime de ralenti trop élevé	1. Baisser le régime de ralenti
	2. Ressort d'embrayage cassé	2. Changer le ressort
La tarière tourne, mais sans force	1. Levier de départ engagé	1. Désengager le levier de départ une fois que le moteur tourne
	2. Le carburateur est déréglé	2. Appeler l'usine ou apporter à un centre de réparation agréé
	3. Réducteur cassé	3. Appeler l'usine ou apporter à un centre de réparation agréé
	4. Patins d'embrayage usés	4. Changer les patins et le ressort d'embrayage
Soubresauts de la tarière	1. Couteau endommagé	1. Remplacer par un couteau neuf.
La tarière fore lentement	1. Couteau émoussé	1. Remplacer par un couteau neuf.
	2. Pointe bilame endommagée	2. Changer la pointe bilame

**Communiquer avec le service après-vente si les solutions ci-dessus ne résolvent pas le problème.**



**Earthquake<sup>®</sup>**

**ARDISAM, INC.**  
1160 Eighth Avenue  
PO Box 755  
Cumberland, WI 54829

Phone, Téléphono, Téléphone :  
(800) 345-6007  
Fax, Télécopieur : (715) 822-2124  
[www.GetEarthquake.com](http://www.GetEarthquake.com)