



ASSEMBLY INSTRUCTIONS

FOOT ADJUST® BASKETBALL SYSTEM

Lifetime basketball systems are designed to be strong and durable. We strive to make assembly as easy as possible without compromising quality. If you get stuck, we have tools to help:

• **Watch Our Instructional Videos**

Scan the code below to see how it all comes together.



<http://go.lifetime.com/90593playlist>

• **Prepare the Area**

Before you start, decide how you would like to fill your base (sand is recommended, see page 31).

• **Recruit Friends and Family**

Assembly should take 2 people about 2–3 hours to complete.



TOOLS REQUIRED

 (2)	 (2)	 (2)	 (2)	 (2)
 (1)	 (1)	 (1)	 (2, included)	 (1)
 (1)	 (1)	 (362 lb)/(163 kg)	 (1)	 (1)

TABLE OF CONTENTS

Icon Legend.....	2
Notices.....	3
Pole Assembly.....	4
Pole to Base Assembly.....	8
Backboard to Rim Assembly.....	11
Backboard to Pole Assembly.....	17
Handle Assembly.....	20
Parts Identifier.....	i-iv
Final Assembly.....	29
Maintenance Instructions.....	34
Registration.....	34
Warning Sticker.....	35
Warranty.....	39

NEED HELP? TALK TO US!

Lifetime's assembly experts offer quick responses and great customer service.

Call: **1-800-225-3865**
7:00 am–5:00 pm (Monday–Friday) MST
and 9:00 am–1:00 pm Saturday MST

Web: www.lifetime.com/instructions
Live Chat: www.lifetime.com/instructions

MODEL# AND PRODUCT ID (you will need both when contacting us)
Model Number: Product ID:
90593



ICON LEGEND / LÉGENDE DES ICÔNES / LEYENDA DE ÍCONOS



- Indicates special heed should be taken when reading.
- Ceci indique que vous devez faire attention à ce que vous lisez.
- Indica que uno debe prestar atención al leer.



- Indicates the parts to be used for a section.
- Ceci indique les pièces requises pour une section.
- Indica las piezas requeridas para una sección.



- Indicates no parts required for a specific section.
- Ceci indique qu'il n'y a pas de pièces requises pour une section particulière.
- Indica que ninguna pieza es requerida para una sección específica.



- Indicates the hardware to be used for a section.
- Ceci indique la quincaillerie requise pour une section.
- Indica el herraje requerido para una sección.



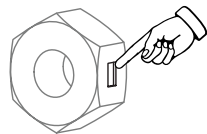
- Indicates no hardware required for a specific page.
- Ceci indique qu'il n'y a pas de quincaillerie requise pour une page particulière.
- Indica que ningún herraje es requerido para una página específica.



- Indicates the tools to be used for a section.
- Ceci indique les outils requis pour une section.
- Indica el instrumental requerido para una sección.



- Indicates to use/not to use an electric drill for a specific step.
- Ceci indique utiliser/n'utiliser pas de perceuse électrique pour une étape particulière.
- Indica usar/no usar un taladro eléctrico para un paso específico.



- Indicates the use of a centerlock nut. A nut with this marking will require some effort to tighten. This hardware was designed with this feature in order to prevent loosening later.
- Cet image indique l'usage d'un écrou de blocage central. Un écrou avec ce marquage requerra plus d'effort pour le serrer. Cet écrou a été conçu avec cette fonction afin d'empêcher son desserrage plus tard.
- Indica el uso de una tuerca de bloque central. Una tuerca con esta marca requerirá un poco de esfuerzo para apretarlo. Esta tuerca fue diseñado con esta característica con el fin de evitar su aflojamiento más tarde.



WARNINGS & NOTICES / AVERTISSEMENTS ET AVIS / ADVERTENCIAS Y AVISOS



SAFETY INSTRUCTIONS



FAILURE TO FOLLOW THESE WARNINGS MAY RESULT IN SERIOUS INJURY OR PROPERTY DAMAGE AND WILL VOID WARRANTY.

Owner must ensure that all players know and follow these rules for safe operation of the system.

To ensure safety, do not attempt to assemble this product without following the instructions carefully. Check entire box and inside all packing material for parts and/or additional instruction material. Before beginning assembly, read the instructions and identify parts using the hardware identifier and parts list in this document. Proper and complete assembly, use and supervision are essential for proper operation and to reduce the risk of accident or injury. A high probability of serious injury exists if this product is not installed, maintained, and operated properly.

- If using a ladder during assembly, use extreme caution.
- Two capable adults are recommended for this operation.
- Check base daily for leakage. Leaks will cause system to fall.
- Assemble the pole sections properly. Failure to do so could cause the pole sections to separate during play or transport.
- Minimum operational height is 6 ft 6 in (1.98m) to the bottom of the backboard.

Most injuries are caused by misuse and/or not following instructions. Use caution when using this product.



CONSIGNES DE SÉCURITÉ



LA NON-RESPECT DE CES AVERTISSEMENTS PEUT RÉSUMER EN ACCIDENTS GRAVES OU DOMMAGES MATÉRIELS ET ANNULER LA GARANTIE.

Le propriétaire doit veiller à ce que tous les joueurs connaissent et suivent ces règles pour une exploitation sûre du système.

Pour assurer votre sécurité, ne tentez pas d'assembler cet article sans avoir lu et suivi toutes les consignes attentivement. Vérifiez la totalité de la boîte et l'intérieur de tous les matériaux d'emballage pour trouver toutes les pièces et/ou matériaux contenant des consignes supplémentaires. Avant de commencer le montage, identifiez toutes les pièces et tous les accessoires et faites-en l'inventaire en les comparant aux listes et identificateurs de pièces et accessoires contenus dans ce document. Un assemblage correct et complet, ainsi que l'utilisation et la supervision correctes sont des conditions essentielles à la bonne direction et diminuent les risques d'accident ou de blessure. Une haute probabilité d'accident grave résulte de mauvaises conditions d'installation, maintenance et/ou utilisation.

- Agissez avec la plus grande prudence si vous employez une échelle pour l'assemblage.
- Il est recommandé que cet assemblage soit exécuté par deux personnes adultes.
- Vérifiez quotidiennement la base au niveau de fuites. Les fuites peuvent causer la chute du système.
- Assemblez les sections de poteau correctement. La non-observation de cette consigne peut amener les sections de poteau à se séparer pendant le jeu ou le déplacement.
- La hauteur minimale est 1,98 m (6 pi 6 po) au bas de la planche.

La majorité des accidents résultent d'une mauvaise utilisation et/ou du fait de n'avoir pas suivi les consignes. Observez toutes précautions utiles pendant l'utilisation de ce produit.



INSTRUCCIONES DE SEGURIDAD



EL INCUMPLIMIENTO DE SEGUIR ESTAS ADVERTENCIAS PUEDE OCASIONAR EN LESIONES GRAVES Y/O DAÑO A LA PROPIEDAD Y ANULARÁ LA GARANTÍA.

El propietario debe asegurarse de que todos los jugadores conocen y seguir estas reglas para la operación segura del sistema.

Para su seguridad, no intente ensamblar este producto sin leer y seguir todas las instrucciones cuidadosamente. Revise la caja entera y todos los materiales de embalaje en busca de piezas y / o material de instrucciones adicional. Antes de comenzar el ensamble, identifique todas las piezas y el equipo usando las listas de partes y equipo así como los identificadores en este documento. El ensamble correcto y completo, el uso y la supervisión son esenciales para una orientación apropiada y para reducir el riesgo de un accidente o lesión. Existe una alta probabilidad de sufrir lesiones graves si este producto no es instalado, mantenido y / o operado correctamente.

- Si utiliza una escalera durante el ensamble, tenga mucho cuidado.
- Se recomienda la participación de dos adultos capaces para esta ensamble.
- Compruebe si hay fugas en la base. Las fugas pueden causar que el producto caiga.
- Ensamble las secciones del poste correctamente. De lo contrario, podría provocar que las secciones del poste se separaran durante el juego o el transporte.
- Altura mínima de operación es 1,98m (6 ft 6 in) a la parte inferior del tablero.

La mayoría de las lesiones son causadas por el abuso y/o por el no seguir las instrucciones. Sea cauteloso al usar este producto.

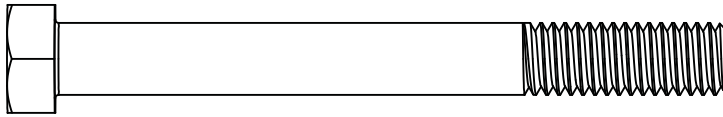
1

POLE ASSEMBLY



HARDWARE REQUIRED

Hardware Bag



ABH (x2)
3/8" x 3 1/2"

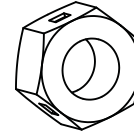
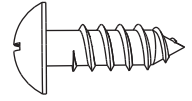


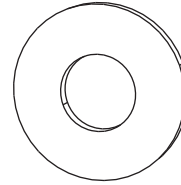
ABB (x2)
3/8"



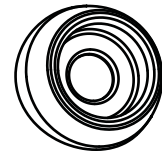
ADS (x2)
1/4" x 3/4"



ADA (x2)
1/2" x 2.91



AAF (x2)
3/8"

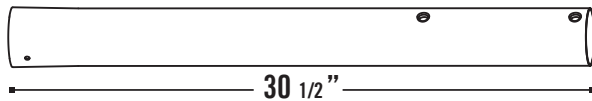


CIH (x2)

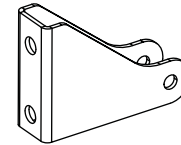


PARTS REQUIRED

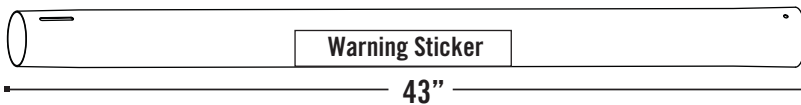
Metal Parts



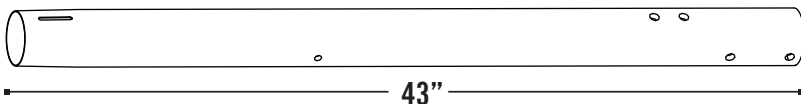
ALH (x1)



ALL (x1)



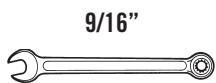
ALF (x1)



ALE (x1)



TOOLS REQUIRED



9/16"

(2)



(1)



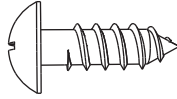
(1)



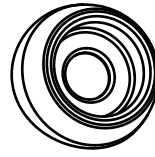
(1)

▶ SECTION 1 (CONTINUED)

TOOLS AND HARDWARE REQUIRED



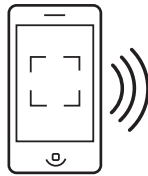
ADS (x1)



CIH (x1)



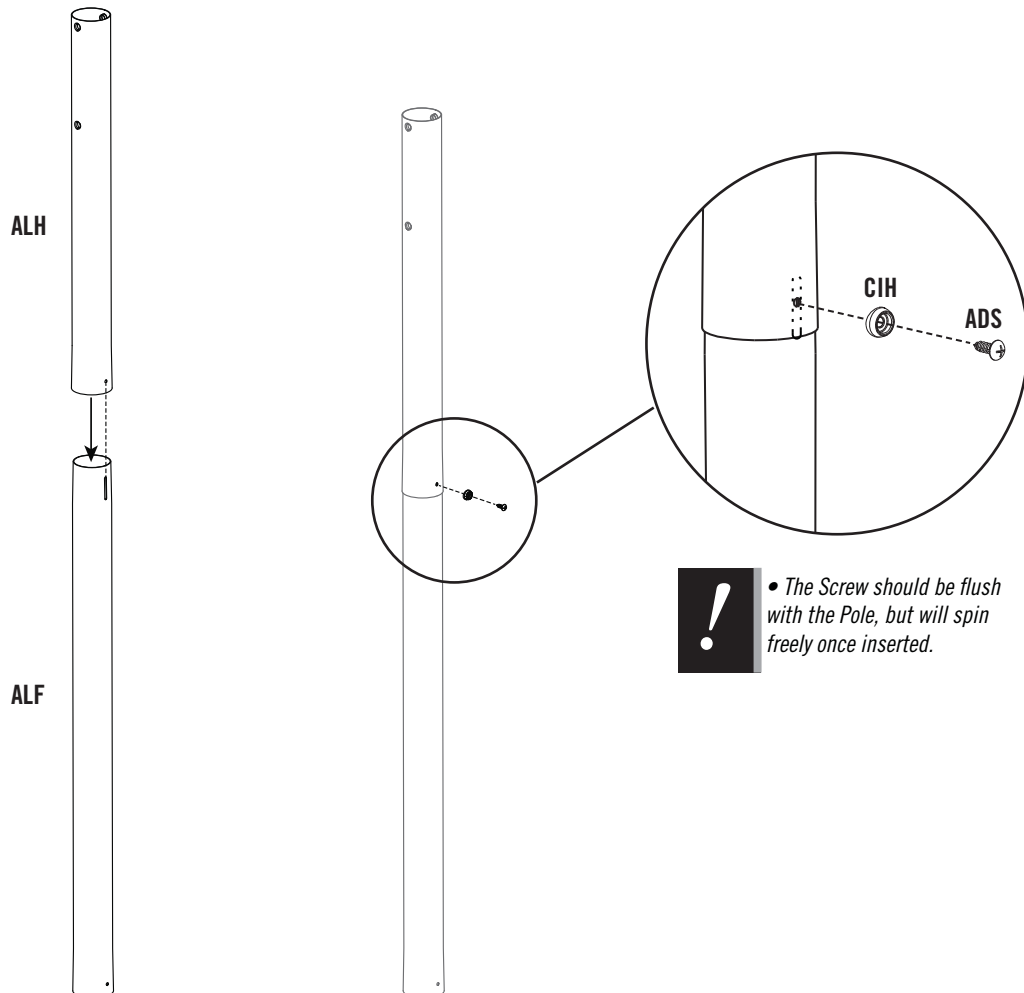
- If you have trouble with this section, scan the code below to view a video on how to assemble the Pole.



- <http://go.lifetime.com/footadjustpoleassembly>

1.1

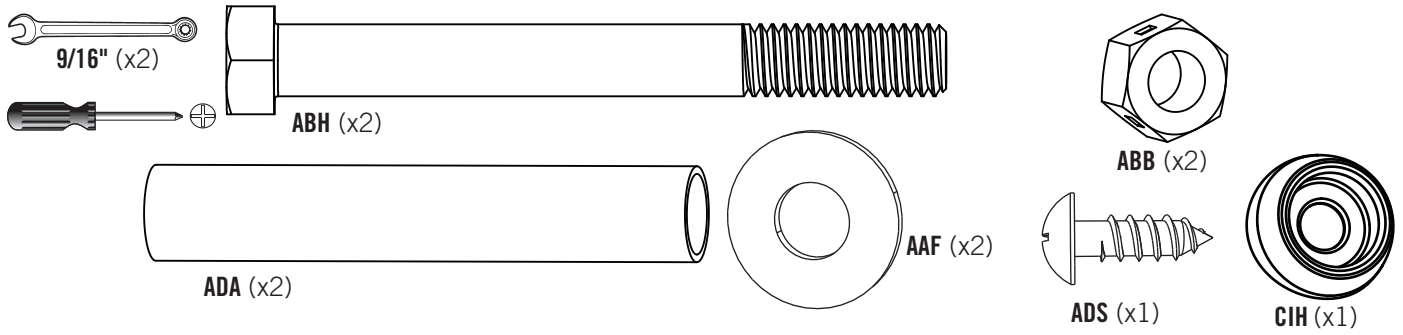
- Align the hole in the bottom of the **Top Pole (ALH)** with the slot in the top of the **Middle Pole (ALF)**. Secure the Top Pole to the Middle Pole with the hardware shown.



- *The Screw should be flush with the Pole, but will spin freely once inserted.*

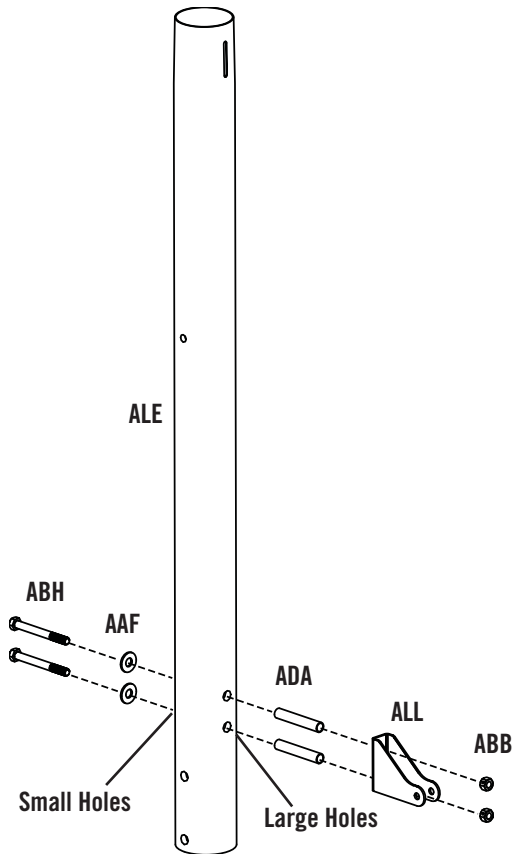
SECTION 1 (CONTINUED)

TOOLS AND HARDWARE REQUIRED



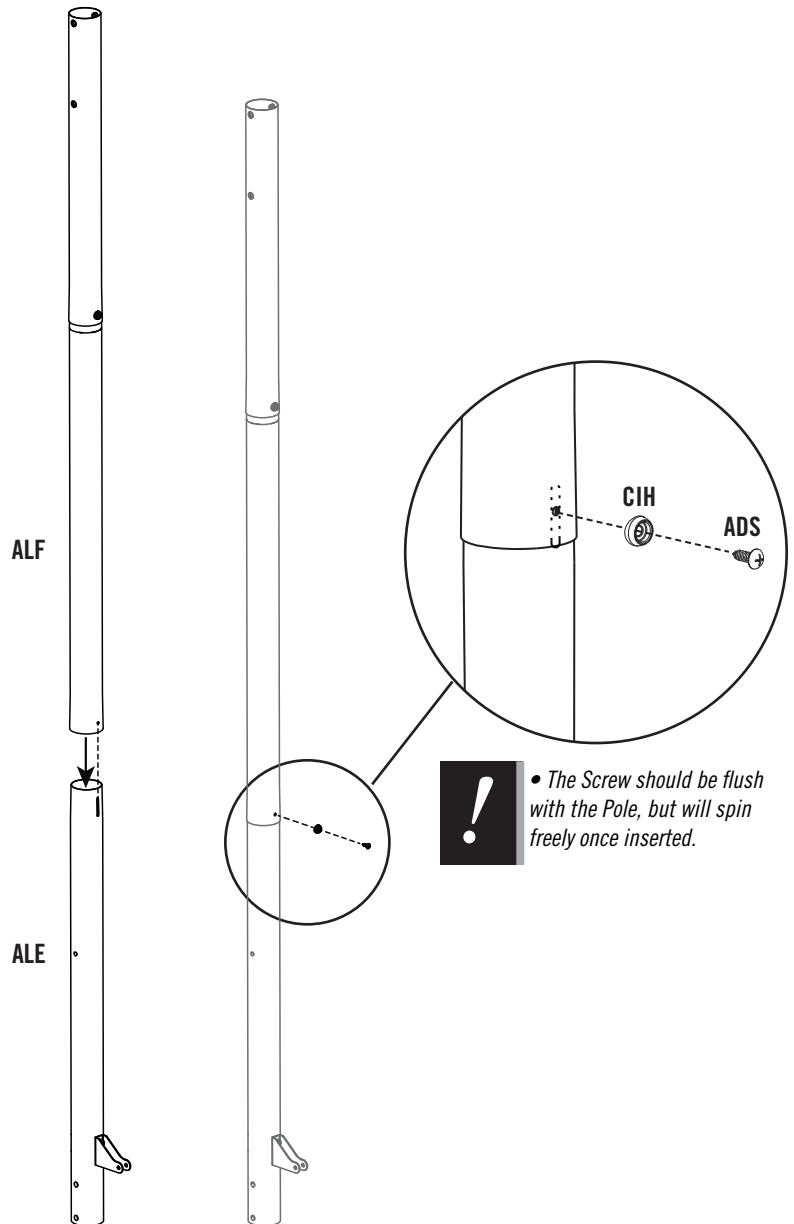
1.2

- Place the **Pole Bracket (ALL)** onto the **3/8" x 3 1/2" Hex Bolts (ABH)**, and attach it to the **Bottom Pole (ALE)** with the hardware as shown.



1.3

- Secure the Middle Pole to the **Bottom Pole (ALE)** using the same method as step 1.1.



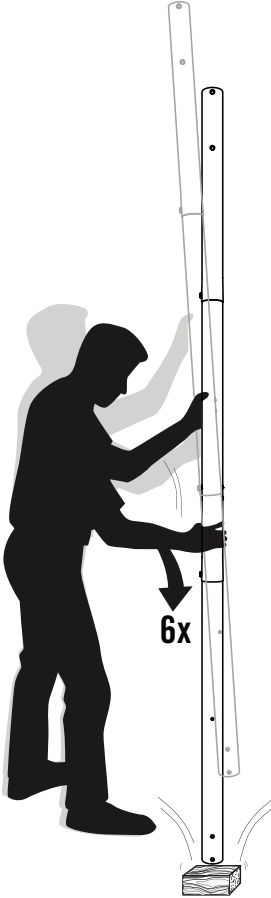
► SECTION 1 (CONTINUED)

TOOLS AND HARDWARE REQUIRED



1.4

- Strike the end of the Pole Assembly on a piece of scrap wood or cardboard 5–6 times.



- *Do not strike your feet with the Pole sections, as serious injury may occur.*

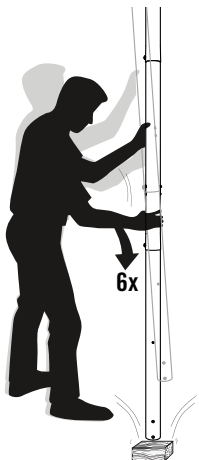


WARNING

The Poles must be seated together! Even if the Poles cover the slots before seating, they must be struck on a hard surface five to six times! Failure to seat the Poles correctly could allow the Poles to separate during use, which could lead to serious personal injuries or property damage.

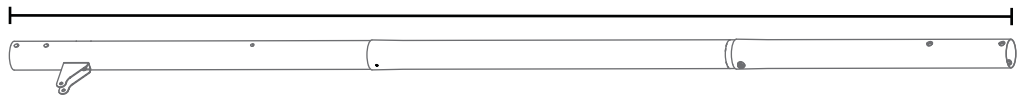
1.5

- Repeat step 1.4 for the opposite end of the Pole Assembly. Now that the Pole Assembly is seated, use a 10-foot Tape Measure to measure the pole from top to bottom to the nearest eighth of an inch. Write this measurement down in inches; you will need this later in the assembly.



Measure from here...

...to here.



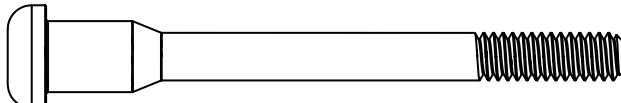
2

POLE TO BASE ASSEMBLY

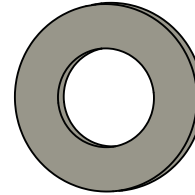


HARDWARE REQUIRED

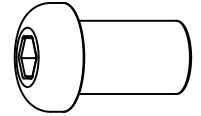
Hardware Bag



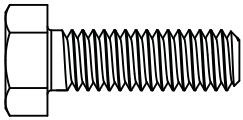
DSA (x1)
1/4" x 3"



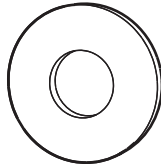
ABN (x2)
1/2" x 1/8"



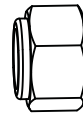
BTS (x1)
1/4"



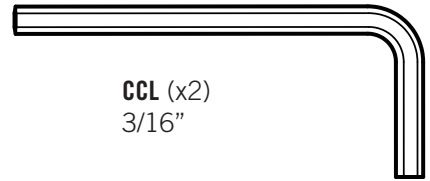
AAE (x2)
5/16" x 1"



ABD (x4)
5/16"



AAO (x2)
5/16"

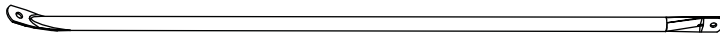


CCL (x2)
3/16"

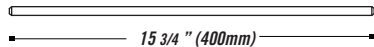


PARTS REQUIRED

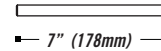
Metal Part



ALI (x2)



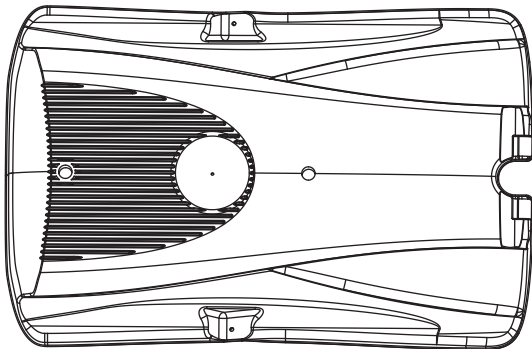
AJC (x1)



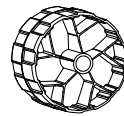
AJE (x1)

* The Axle (AJE) is located in the parts bag.

Plastic Parts / Piezas de plástico / Pièces en plastique



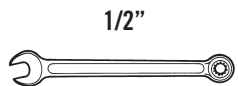
AJM (x1)



AMU (x2)

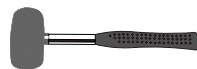


TOOLS REQUIRED



1/2"

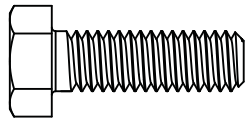
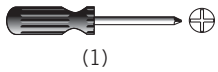
(2)



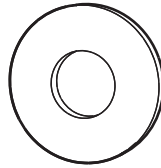
(1)

SECTION 2 (CONTINUED)

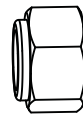
TOOLS AND HARDWARE REQUIRED



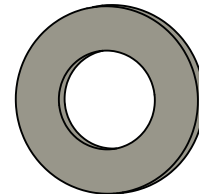
AAE (x2)



ABD (x4)



AAO (x2)



ABN (x2)



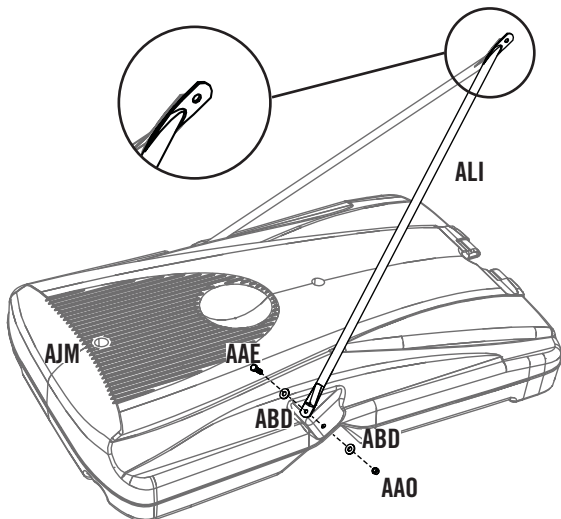
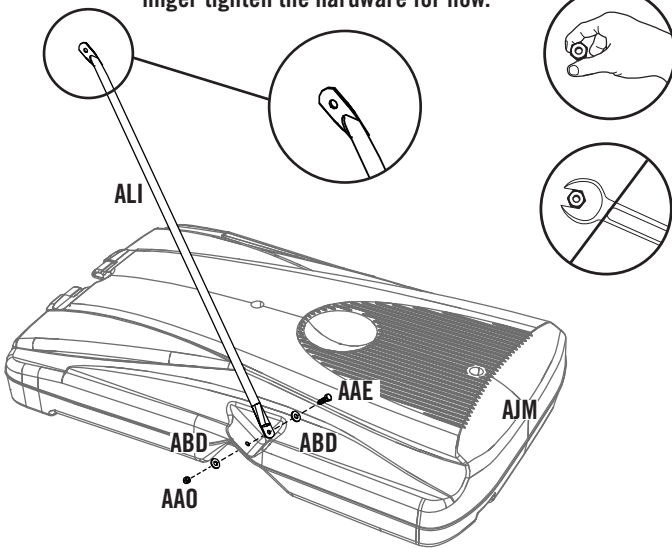
• If you have trouble with this section, scan the code below to view a video on the assembly.



• <http://go.lifetime.com/footadjustpoletobase>

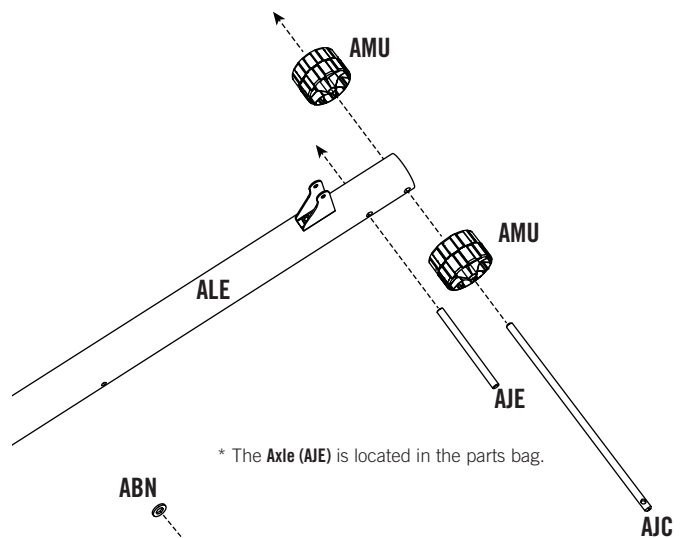
2.1

• Attach the flattened end of the **Pole Brace (ALI)** to the **Base (AJM)** with the hardware shown. **Only finger tighten the hardware for now.**

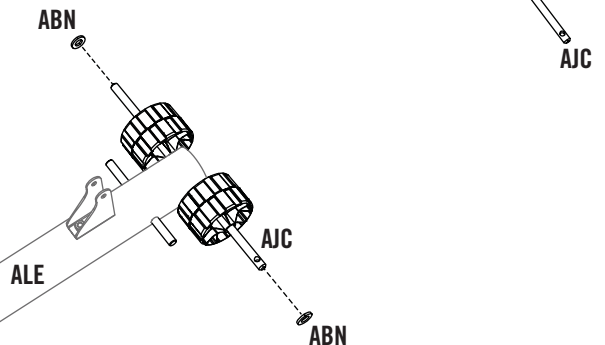


2.2

• Slide the **Large Axle (AJC)** through the **Wheels (AMU)** and the holes at the end of the **Bottom Pole (ALE)** as shown. Slide the **Small Axle (AJE)** through the second set of holes near the end of the Bottom Pole. Then, slide a **1/2" x 1/8" Spacers (ABN)** onto each end of the Large Axle, and position them against the Wheels.

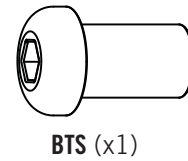
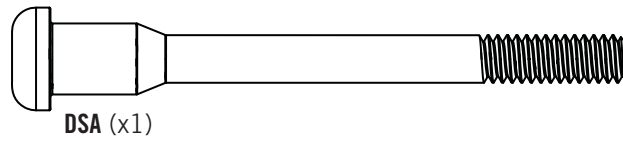
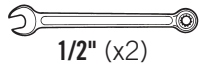
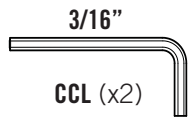


* The Axle (AJE) is located in the parts bag.



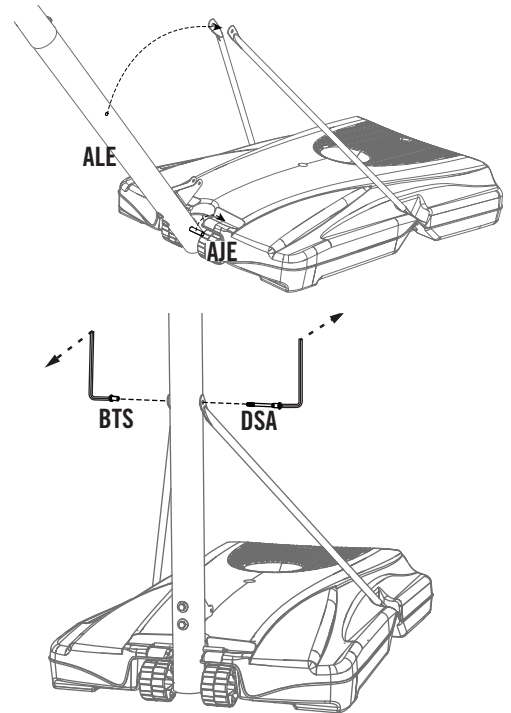
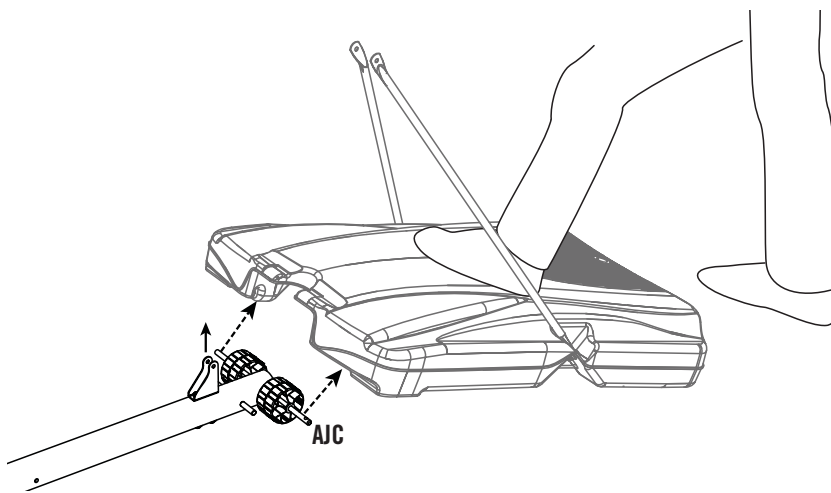
SECTION 2 (CONTINUED)

TOOLS AND HARDWARE REQUIRED



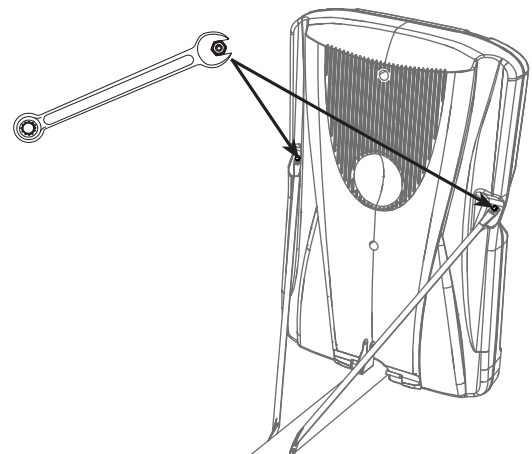
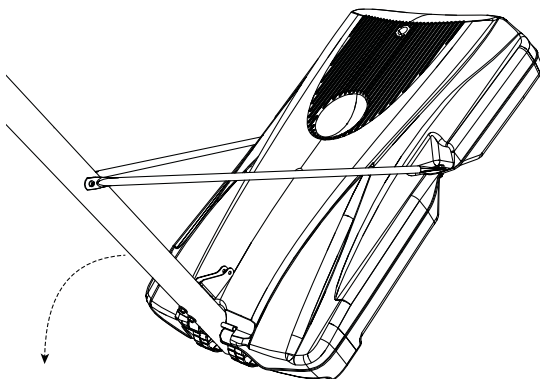
2.3

- Place the Pole assembly on the ground with the Pole Bracket on the Bottom Pole facing up. Position the **Large Axle (AJC)** under the bottom slots of the **Base (AJM)** as shown, and step onto the Base so the Axle snaps into the slots. Then rotate the Pole assembly upward so that the **Small Axle (AJE)** snaps into the upper slots of the Base as shown. Secure the hardware shown using the Hex Wrenches provided.



2.4

- Tip the system forward so the Pole rests on the ground. Do not stand the system up until it is filled with either sand or water later in the assembly. Tighten the hardware shown.



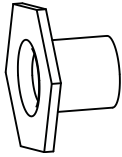
3

BACKBOARD TO RIM ASSEMBLY

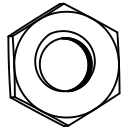


HARDWARE REQUIRED

Hardware Bag



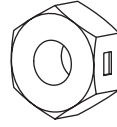
AAJ (x2)
5/16"



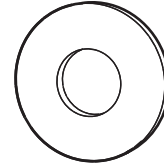
AAV (x2)
5/16"



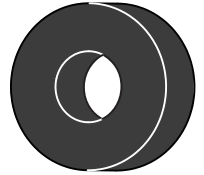
ABK (x4)
5/16"



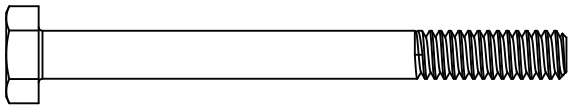
AAB (x2)
1/4"



ABD (x2)
5/16"



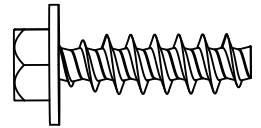
ABF (x2)
7/16"



AAS (x2)
1/4" x 2 3/4"



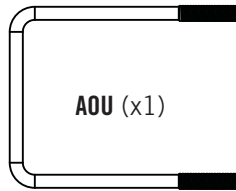
ABI (x2)
5/16" x 2 1/4"



ADQ (x2)
5/16" x 1"



ABS (x2)
1/4" x 2 5/16"



AOU (x1)



AJW (x2)



PARTS REQUIRED

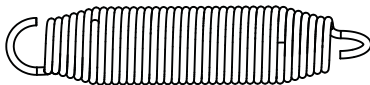
Metal Parts



AJJ (x1)



AJK (x1)



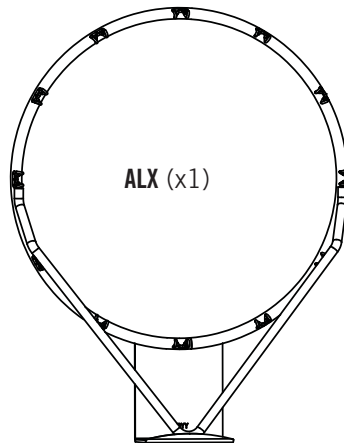
AJY (x1)



AOX (x1)

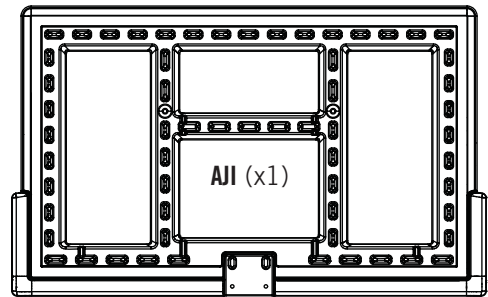


AOW (x1)



ALX (x1)

Plastic Parts



AJI (x1)



TOOLS REQUIRED

1/2"



(2)

7/16"



(2)

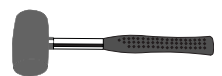
3/8"



(2)



(1)



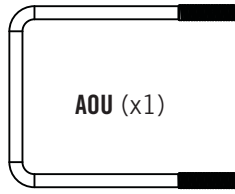
(1)

▶ SECTION 3 (CONTINUED)

TOOLS AND HARDWARE REQUIRED



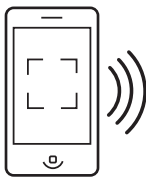
(x1)



AOU (x1)



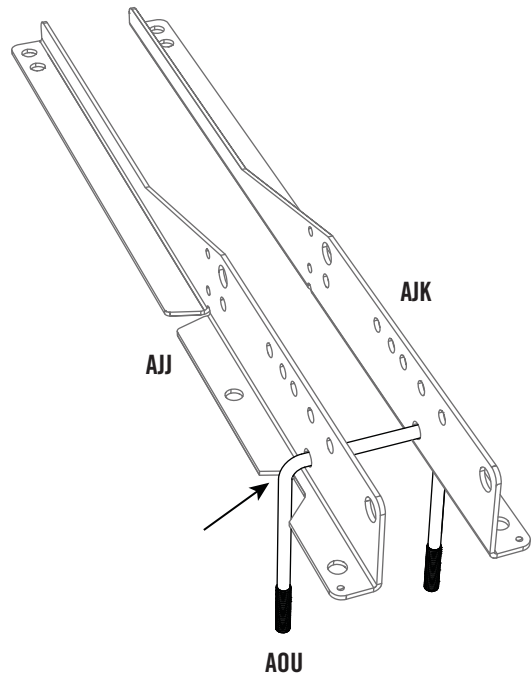
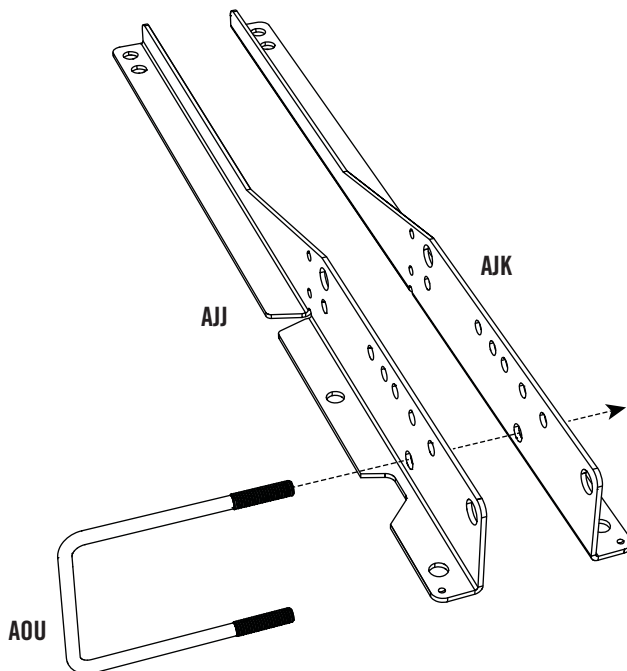
- If you have trouble with this section, scan the code below to view a video on on its assembly.



- <http://go.lifetime.com/footadjustbackboardtorim>

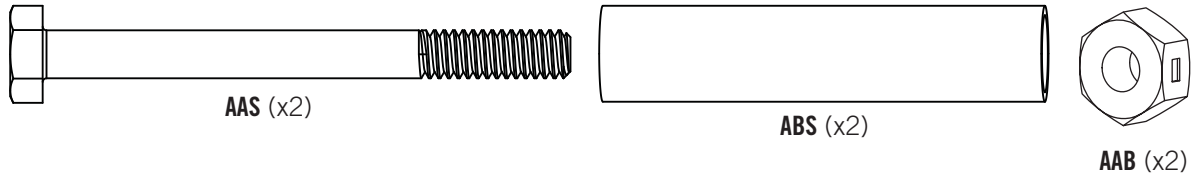
3.1

- Slide the **U-Bolt (AOU)** through the **Left and Right Backboard Brackets (AJJ & AJK)**. The U-Bolt must rest in the notches of the Backboard Brackets as shown.



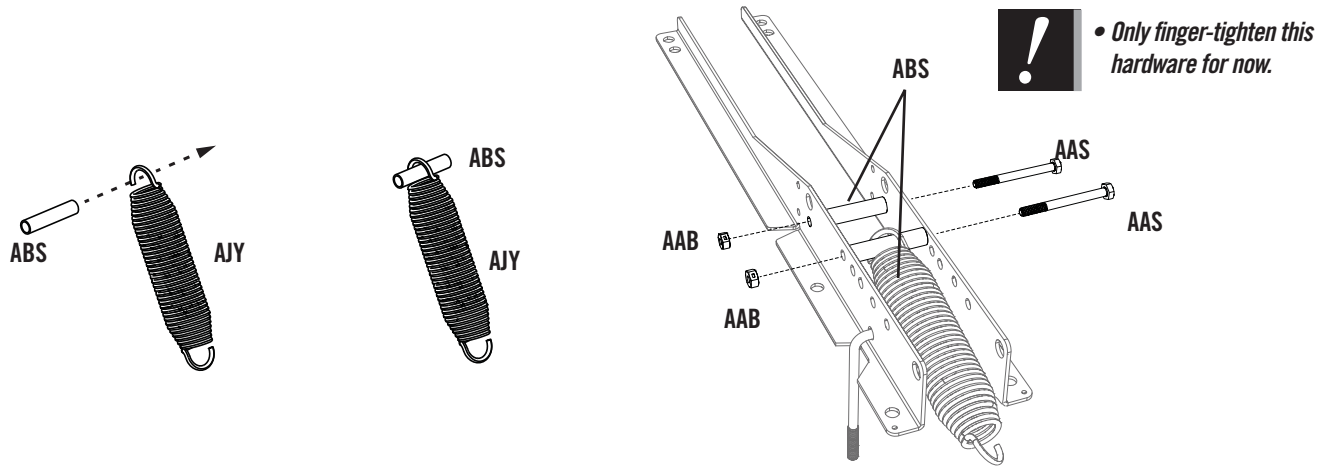
► SECTION 3 (CONTINUED)

TOOLS AND HARDWARE REQUIRED



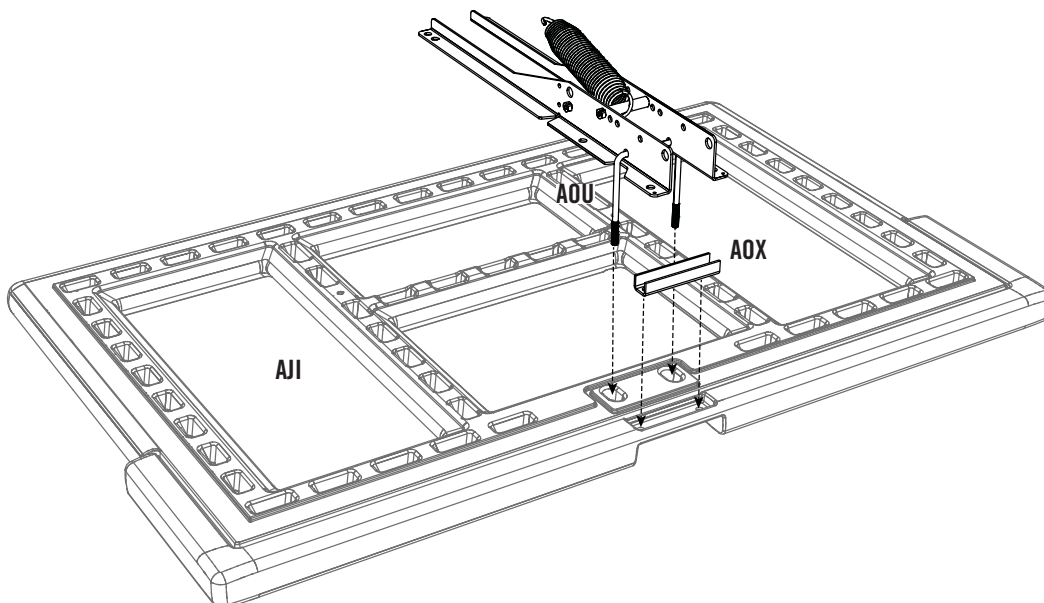
3.2

- Slide one 1/2" Spacer (ABS) through the Counterbalance Spring (AJY), then finger-tighten them to the Backboard Brackets as shown.



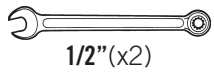
3.3

- Place the Backboard Bracket Assembly and Rim Support Channel (AOX) to the Backboard (AJI) as shown.



SECTION 3 (CONTINUED)

TOOLS AND HARDWARE REQUIRED



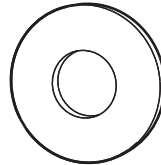
1/2" (x2)



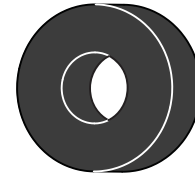
(x1)



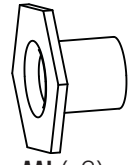
ABI (x2)



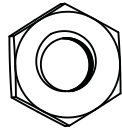
ABD (x2)



ABF (x2)



AAJ (x2)



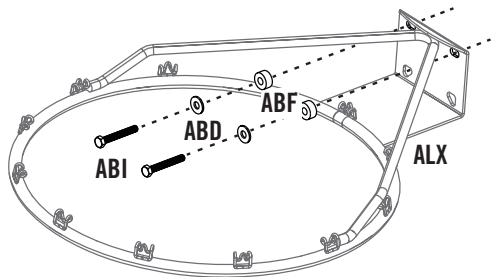
AAV (x2)



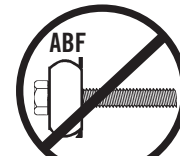
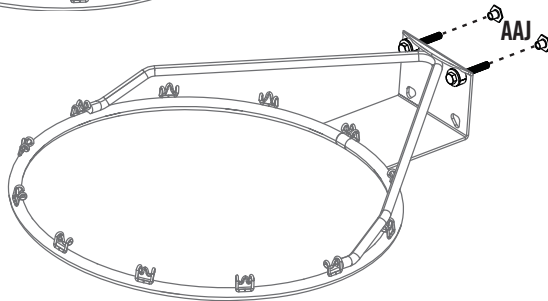
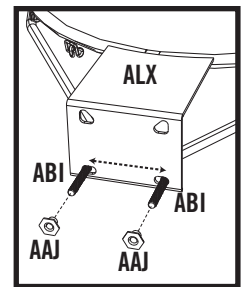
ABK (x2)

3.4

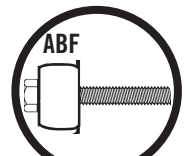
- Insert two 5/16" x 2 1/4" Tap Bolts (ABI) with the 5/16" Washers (ABD) and the 7/16" Rubber Washers (ABF) through the bottom holes in the back of the Rim (ALX) as shown, and secure the hardware with two 5/16" Hex T-Nuts (AAJ).



- Make sure that the Tap Bolts are positioned on the outside edge of the holes as shown.



Incorrect



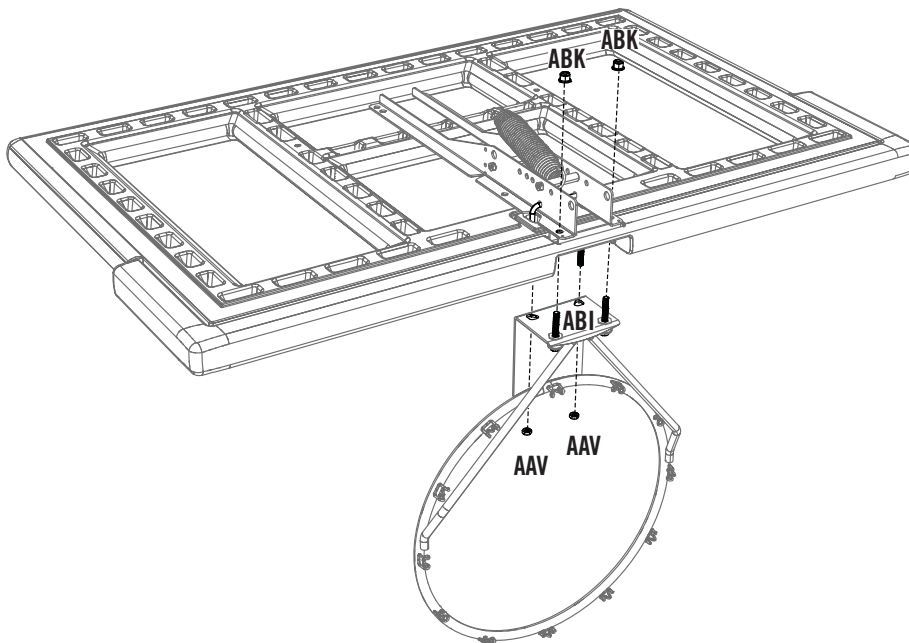
Correct



- Do NOT overtighten the hardware so that the 7/16" Rubber Washers bulge outward as shown.

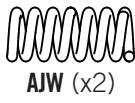
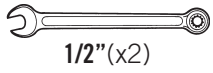
3.5

- Secure Rim Assembly to the Backboard with the hardware as shown.



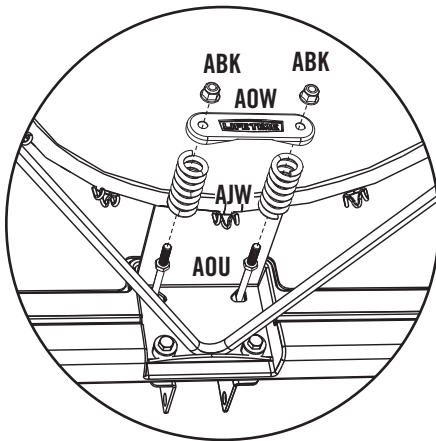
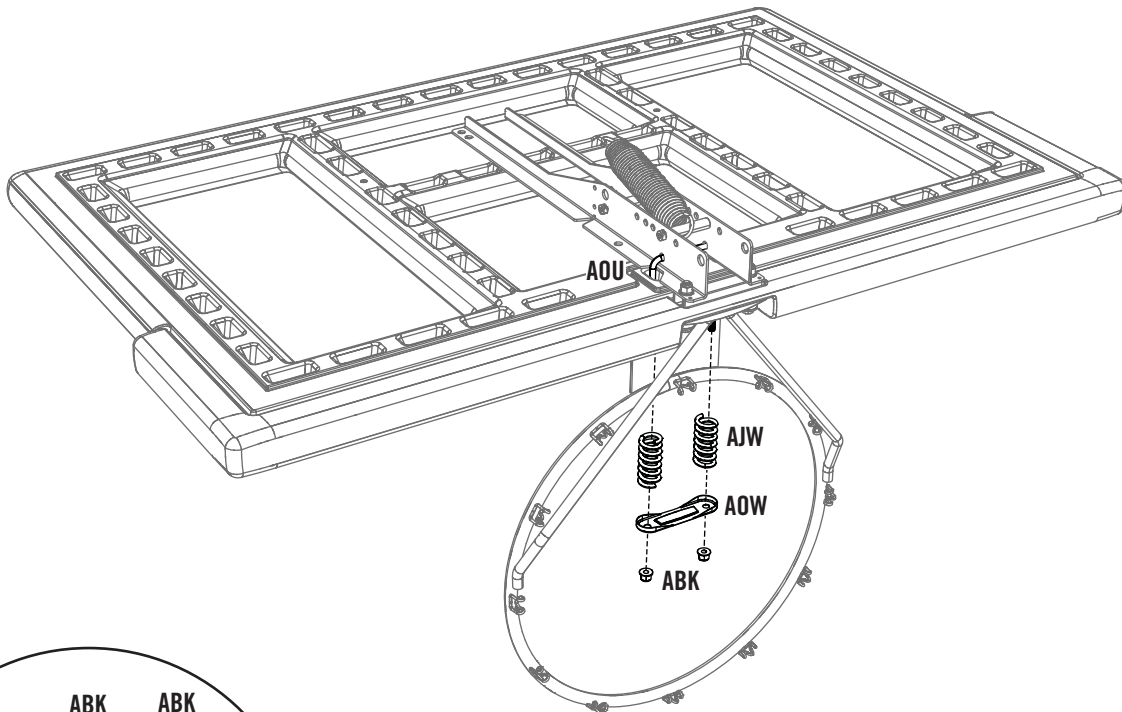
► SECTION 3 (CONTINUED)

TOOLS AND HARDWARE REQUIRED



3.6

- Slide the **Compression Springs (AJW)** onto the **U-Bolt (AOU)**, and place the **Spring Retainer Plate (AOW)** over the Compression Springs. Tighten the **5/16" Nylock Flange Nuts (ABK)** until the **Rim (ALX)** does not wobble to complete this step.

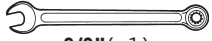


► SECTION 3 (CONTINUED)

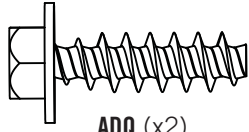
TOOLS AND HARDWARE REQUIRED



1/2" (x2)



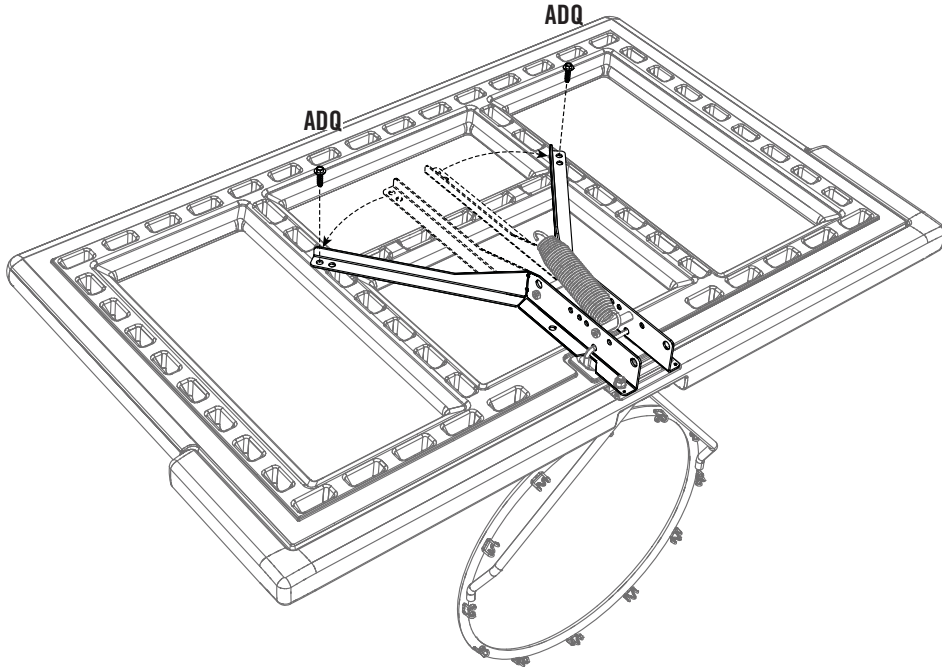
3/8" (x1)



ADQ (x2)

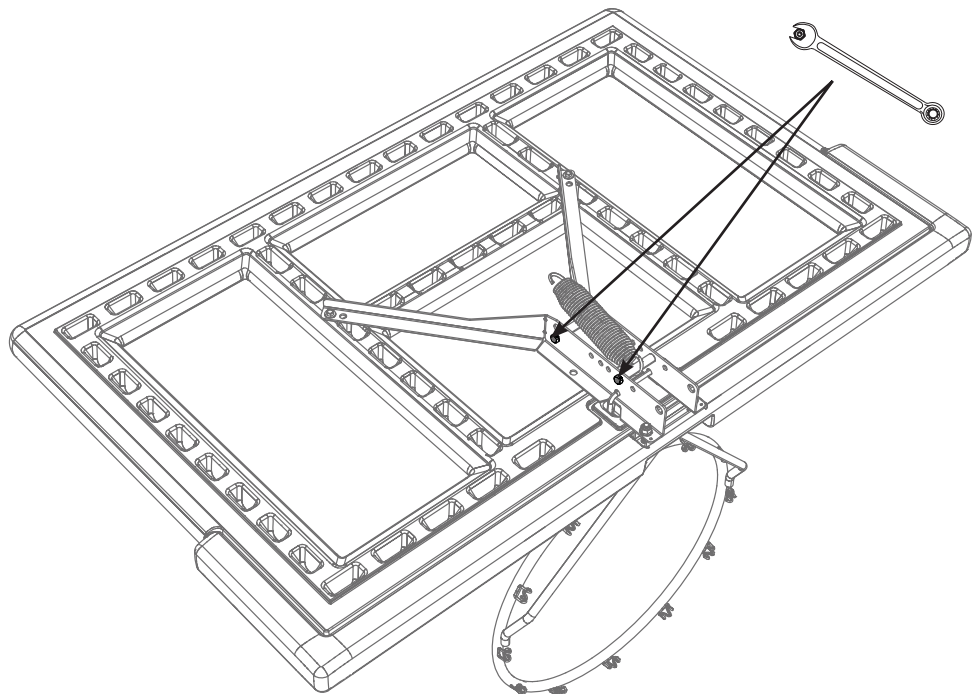
3.7

- Bend the **Left** and **Right Backboard Brackets (AJJ & AJK)** outward by hand and position the holes in the Backboard Brackets over the holes in the **Backboard (AJI)**. Then securely fasten the Backboard Brackets to the Backboard with the hardware shown.



3.8

- Tighten the hardware in the locations indicated.



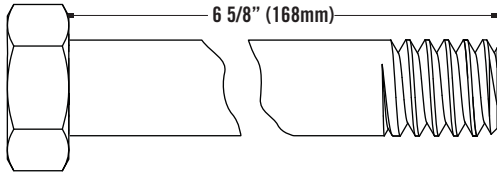
4

BACKBOARD TO POLE ASSEMBLY

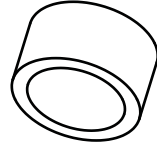


HARDWARE REQUIRED

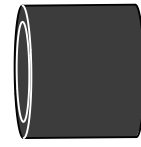
Hardware Bag



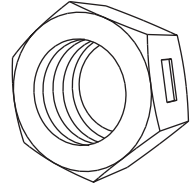
ADG (x4)
1/2" x 6 5/8"



ABP (x4)
1/2" x 3/8"



ABL (x4)
.69" x .59"

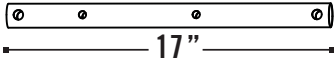


AAx (x4)
1/2"

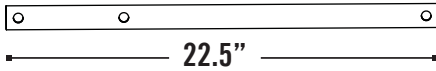


PARTS REQUIRED

Metal Parts



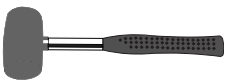
AKC (x2)



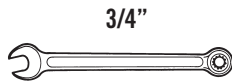
AKB (x2)



TOOLS REQUIRED



(1)



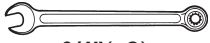
(2)

SECTION 4 (CONTINUED)

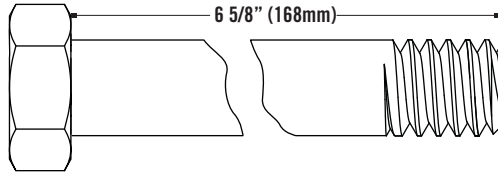
TOOLS AND HARDWARE REQUIRED / HERRAMIENTAS Y ACCESORIOS REQUERIDOS / OUTILS ET ACCESSOIRES REQUIS



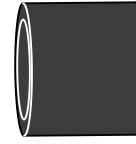
(x1)



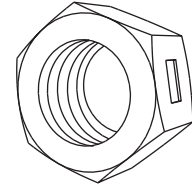
3/4" (x2)



ADG (x2)



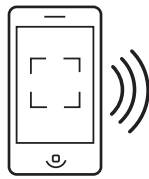
ABL (x4)



AAX (x2)



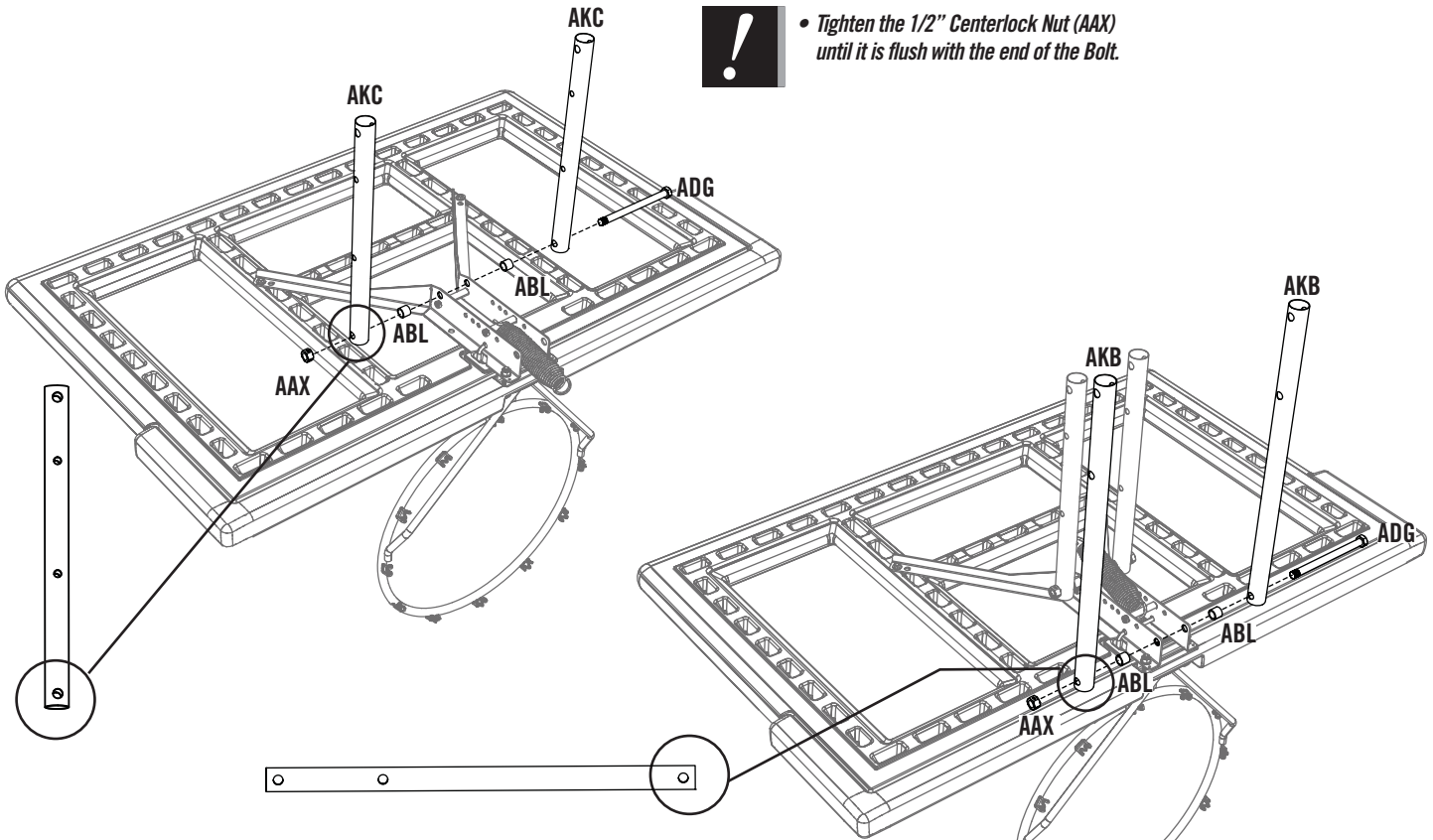
- If you have trouble with this section, scan the code below to view a video on the assembly.



- <http://go.lifetime.com/footadjustbackboardtopole>

4.1

- Secure the **Short Extension Arms (AKC)** and **Long Extension Arms (AKB)** to the Backboard Brackets in the location shown with the hardware indicated.

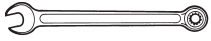


► SECTION 4 (CONTINUED)

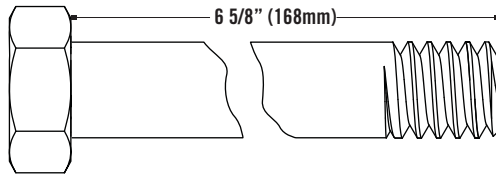
TOOLS AND HARDWARE REQUIRED



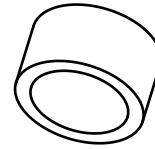
(x1)



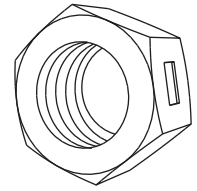
3/4" (x2)



ADG (x2)



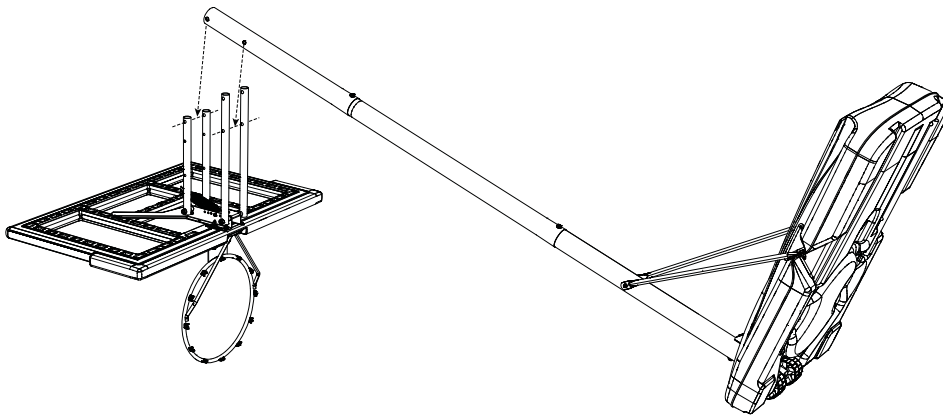
ABP (x4)



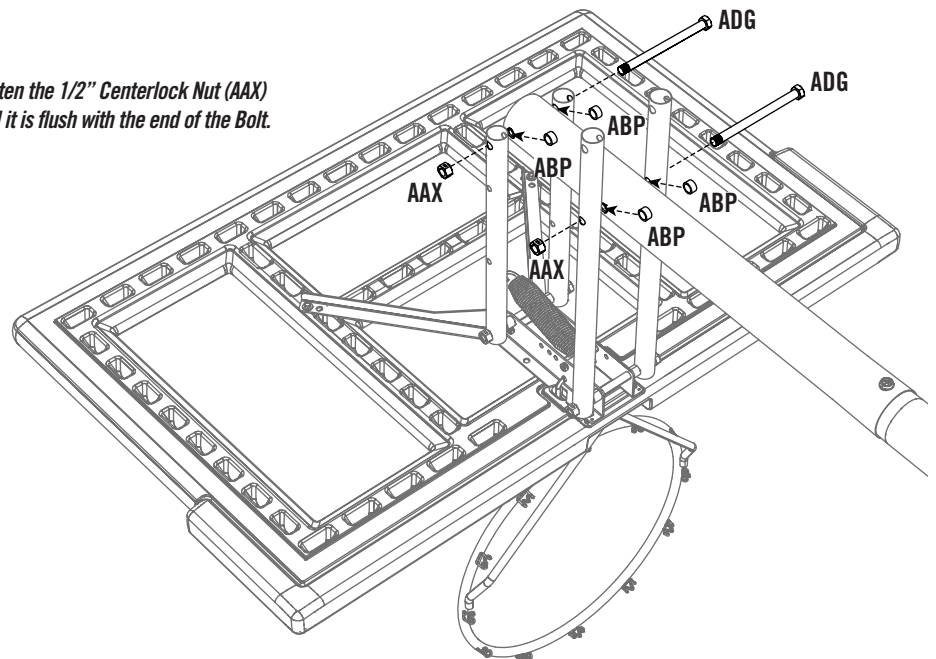
AAX (x2)

4.2

- Lay the Backboard and Rim assembly on the ground next to the Pole assembly. Rest the Rim on cardboard to prevent scratching. Then secure the **Short and Long Extension Arms (AKC & AKB)** to the Pole Assembly with the hardware shown.



- **Tighten the 1/2" Centerlock Nut (AAX) until it is flush with the end of the Bolt.**



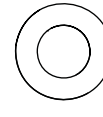
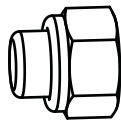
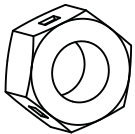
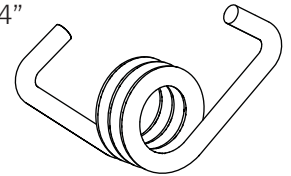
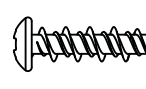
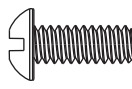
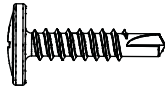
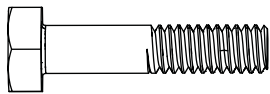
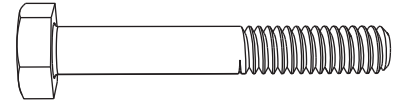
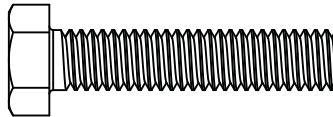
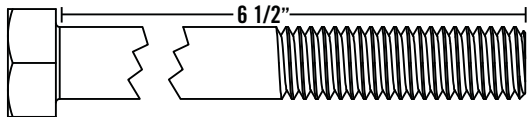
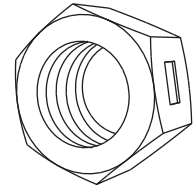
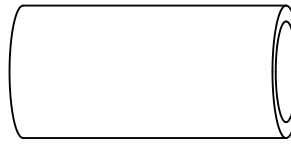
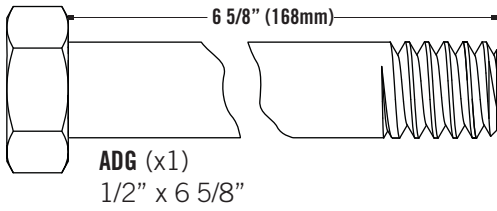
5

HANDLE ASSEMBLY



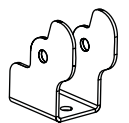
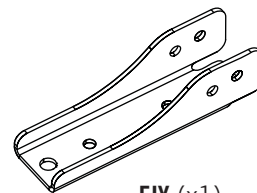
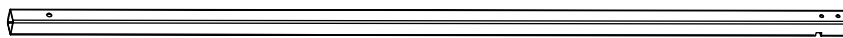
HARDWARE REQUIRED

Hardware Bag

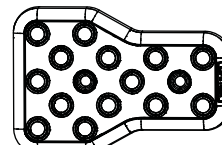
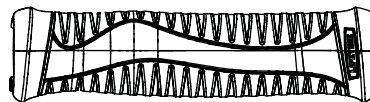
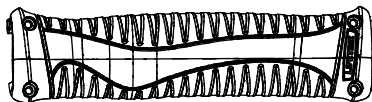


PARTS REQUIRED

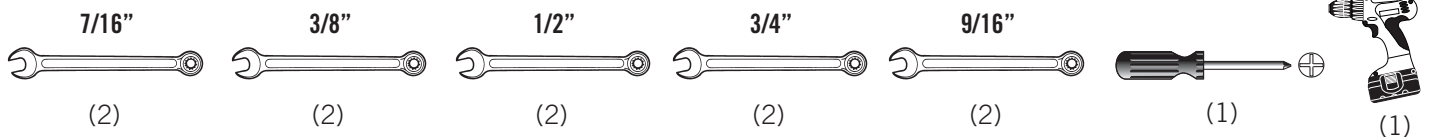
Metal Parts



Plastic Parts



TOOLS REQUIRED





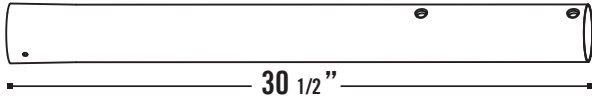
This page intentionally left blank

Remove This Section Before Assembling

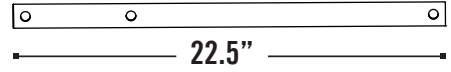


PARTS IDENTIFIER / IDENTIFICADOR DE PIEZAS / IDENTIFICATEUR DE PIÈCES

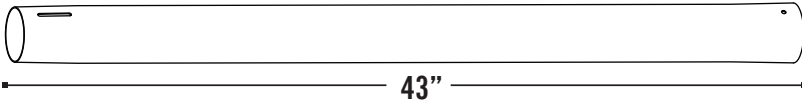
Metal Part / Pieza de metal / Pièce en métal



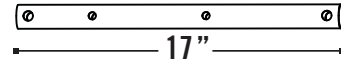
ALH (x1)



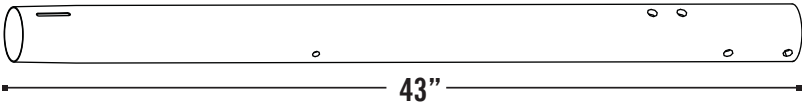
AKB (x2)



ALF (x1)



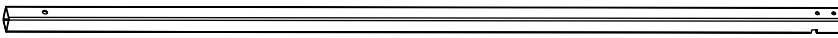
AKC (x2)



ALE (x1)



AJJ (x1)



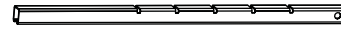
EJT (x1)



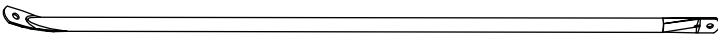
AJK (x1)



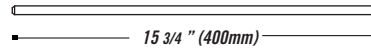
EKB (x1)



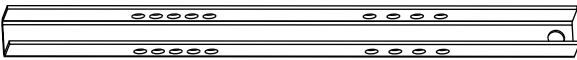
EJV (x1)



ALI (x2)



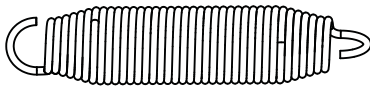
AJC (x1)



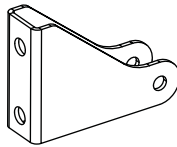
EKC (x1)



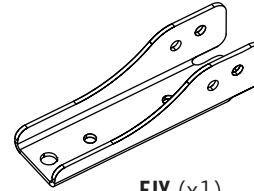
AOX (x1)



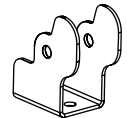
AJY (x1)



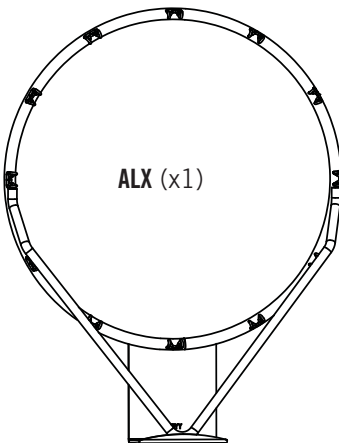
ALL (x1)



EJY (x1)



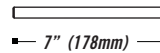
EJU (x1)



ALX (x1)



AOW (x1)



AJE (x1)

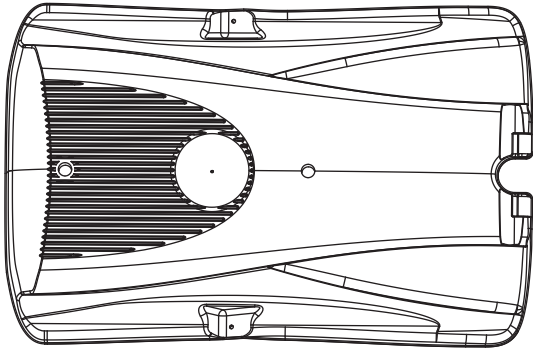
* The Axle (AJE) is located in the parts bag.

Remove This Section Before Assembling

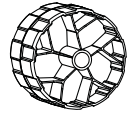
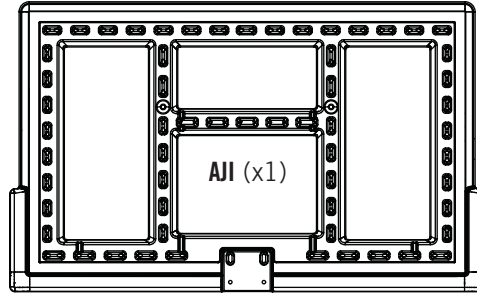


PARTS IDENTIFIER / IDENTIFICADOR DE PIEZAS / IDENTIFICATEUR DE PIÈCES

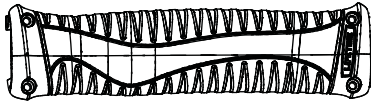
Plastic Parts/ Piezas de plástico / Pièces en plastique



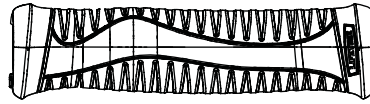
AJM (x1)



AMU (x2)



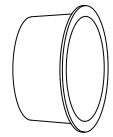
AKM (x1)



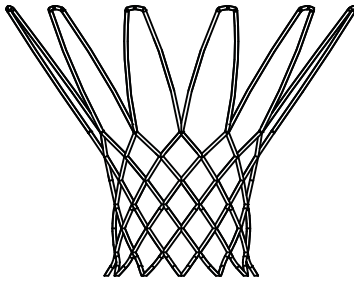
AKN (x1)



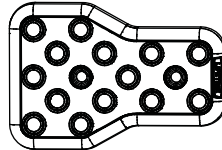
EKL (x1)



AEF (x2)



AKZ (x1)



EJX (x1)



AKP (x1)

Remove This Section Before Assembling



HARDWARE REQUIRED / ACCESORIOS REQUERIDOS / ACCESSOIRES REQUIS



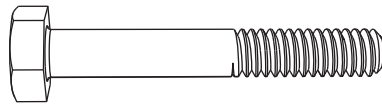
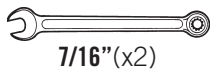


Remove This Section Before Assembling

This page intentionally left blank

SECTION 5 (CONTINUED)

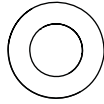
TOOLS AND HARDWARE REQUIRED



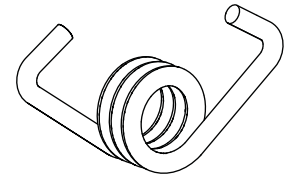
BSJ (x2)



AZP (x2)



EKA (x1)



EJZ (x2)



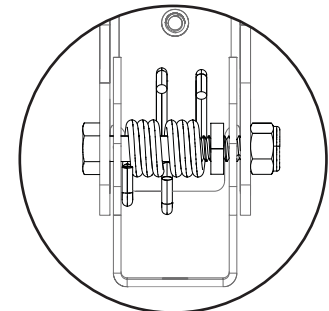
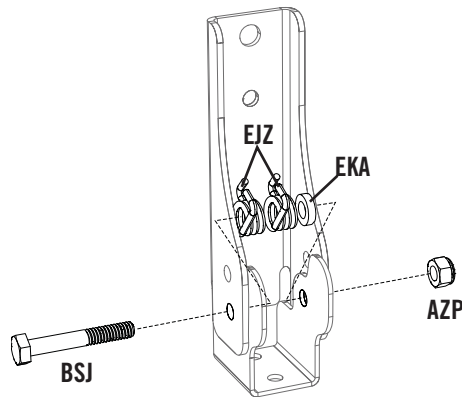
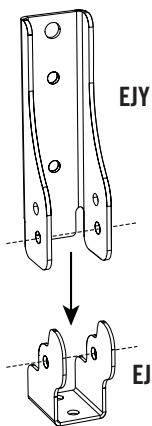
- If you have trouble with this section, scan the code below to view a video on the assembly.



- <http://go.lifetime.com/footadjusthandle>

5.1

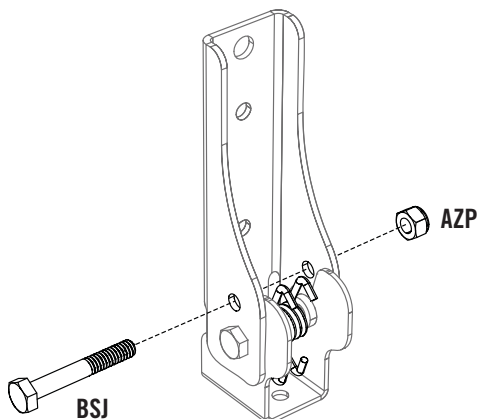
- Align the **Pedal Bracket (EJY)** with the **Pedal Support Bracket (EJU)**, then secure them with the hardware shown.



- *Make sure the Springs and Spacer are oriented as shown.*

5.2

- Secure another **Bolt (BSJ)** over the top of the springs.



- *Do not overtighten this hardware. The Pedal Bracket needs to be able to pivot on the Support Bracket.*



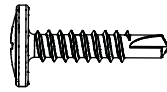
- *Make sure the two Springs are on the same side of the bolt as shown.*

► SECTION 5 (CONTINUED)

TOOLS AND HARDWARE REQUIRED



(x1)



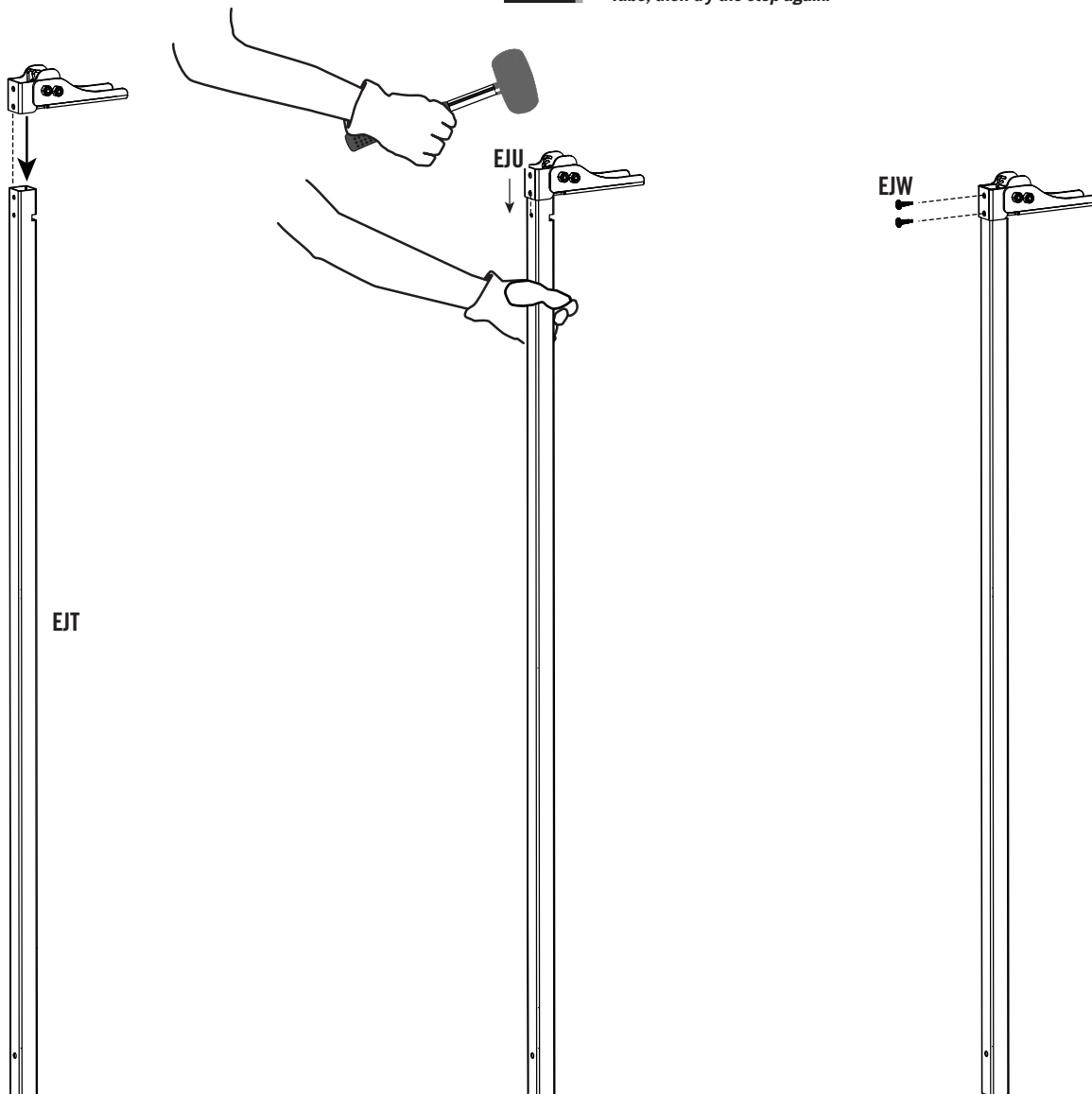
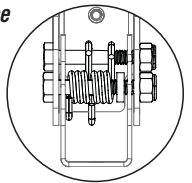
EJW (x2)

5.3

- Align the assembly to the **Outer Tube (EJT)**, then use a Rubber Mallet to strike them until the holes on the **Pedal Support Bracket (EJU)** line up with the small pilot holes at the end of the Outer Tube. Use the **Self-Tapping Screws (EJW)** to secure the Bracket Assembly to the Outer Tube.



- The Foot Bracket Assembly should be met with some resistance from the springs installed in the previous step. Make sure the springs are oriented as shown when performing this step. If there is no resistance when installing the Bracket Assembly to the Outer Tube, make sure the springs are engaging the Outer Tube, then try the step again.*



SECTION 5 (CONTINUED)

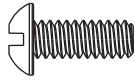
TOOLS AND HARDWARE REQUIRED



(x1)



3/8" (x2)



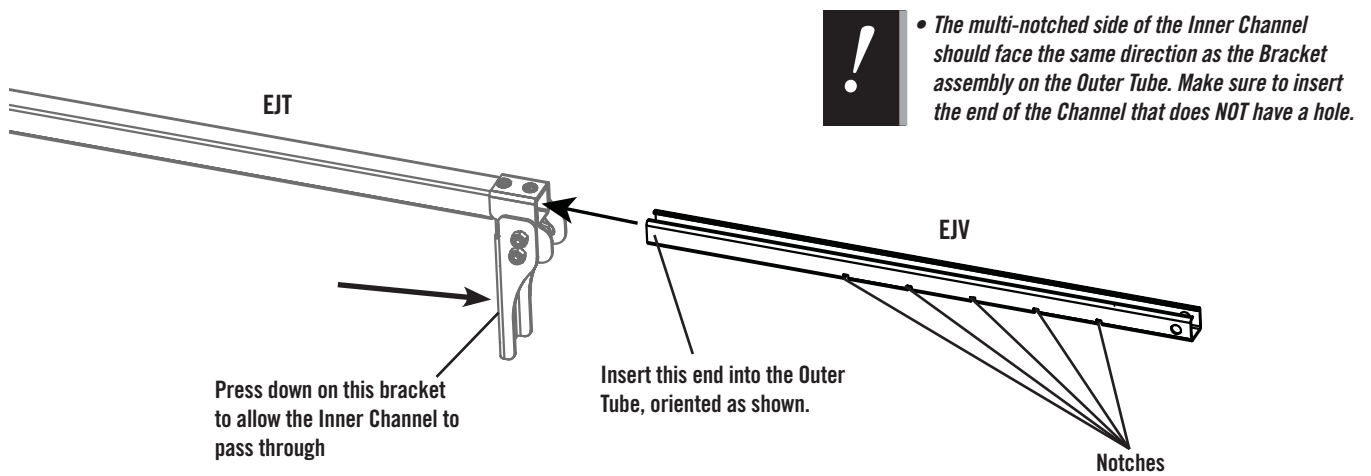
BZA (x2)



CXK (x2)

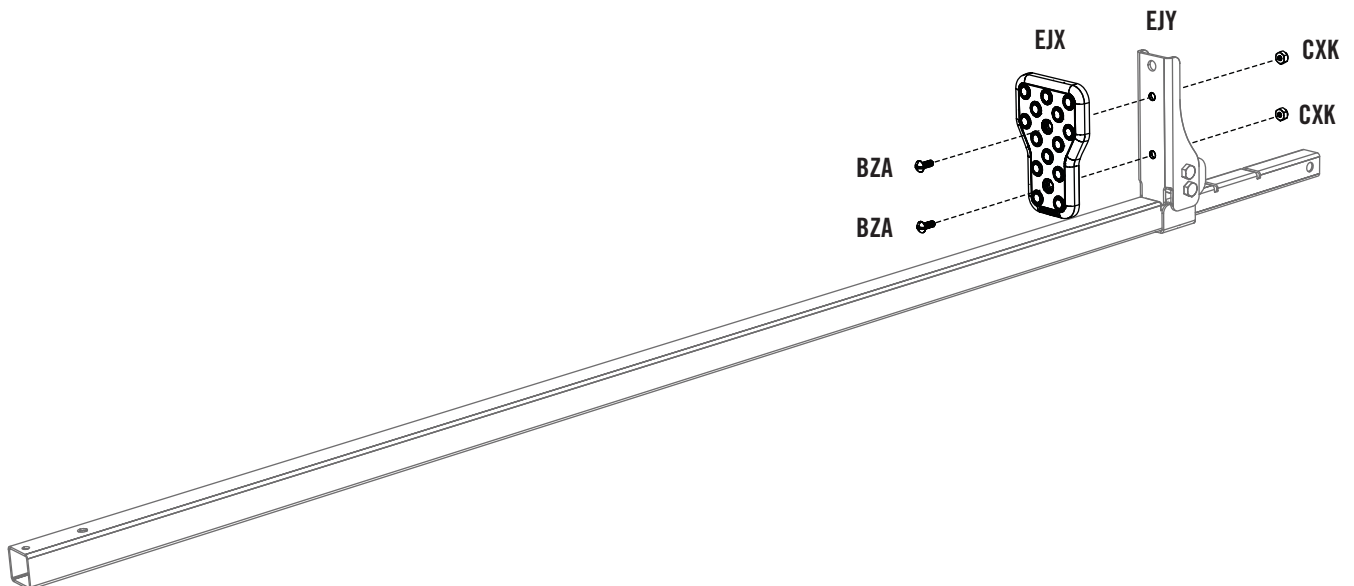
5.4

- Press down on the Bracket Assembly on the **Outer Tube (EJT)**, then insert the **Inner Channel (EJV)** into the Outer Tube.



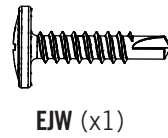
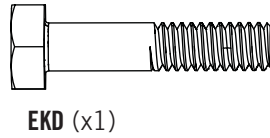
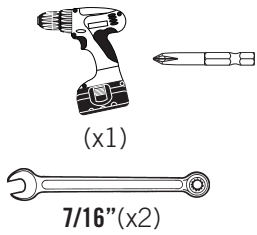
5.5

- Secure the **Pedal (EJX)** to the **Pedal Bracket (EJY)** with the hardware shown.



► SECTION 5 (CONTINUED)

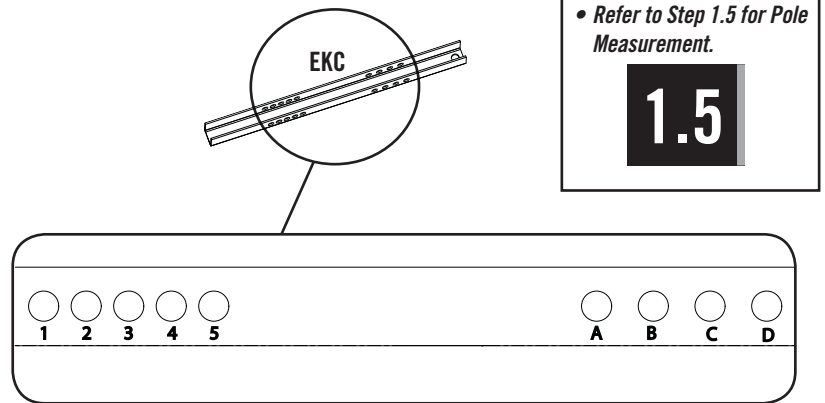
TOOLS AND HARDWARE REQUIRED



5.6

- Use the measurement of the pole taken in step 1.5 to determine the hardware location for the Lifter Arm Bracket (EKC). Use the following chart to complete the assembly of the next two steps.

Pole Assembly Height (in inches)	Hole on the Bracket (Step 5.7 and 5.8)
109 7/8"	3 and A
110	4 and B
110 1/8"	2 and A
110 1/4"	3 and B
110 3/8"	4 and C
110 7/16"	1 and A
110 1/2"	2 and B
110 5/8"	3 and C
110 3/4"	4 and D
110 7/8"	2 and C
111	3 and D
111 1/8"	1 and D
111 1/4"	2 and D



- Refer to Step 1.5 for Pole Measurement.

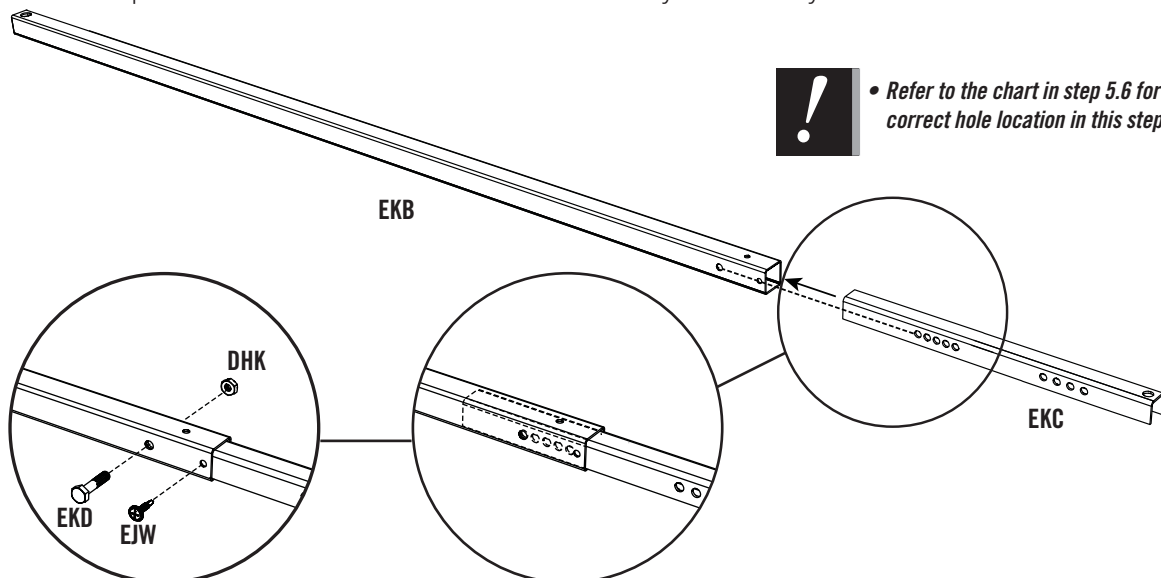
1.5



- The Coordinating Points refer to the location you will need to place the hardware. For example, if your pole measures 110 1/2 inches once seated, your coordinating points are 2 and B. In this example, place Bolt EKD and Nut DHK from step 5.7 into hole 2, and place the hardware from step 5.8 into hole B. If the rim still does not reach ten feet, use the next set of holes down on the chart.

5.7

- Insert the Lifter Arm Bracket (EKC) to the Lifter Arm (EKB), then secure them with the hardware indicated. Refer to the chart in step 5.6 to determine which hole location to use in your assembly.



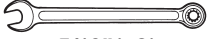
- Refer to the chart in step 5.6 for the correct hole location in this step.

► SECTION 5 (CONTINUED)

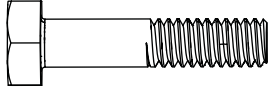
TOOLS AND HARDWARE REQUIRED



(x1)



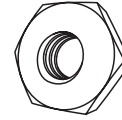
7/16" (x2)



EKD (x1)



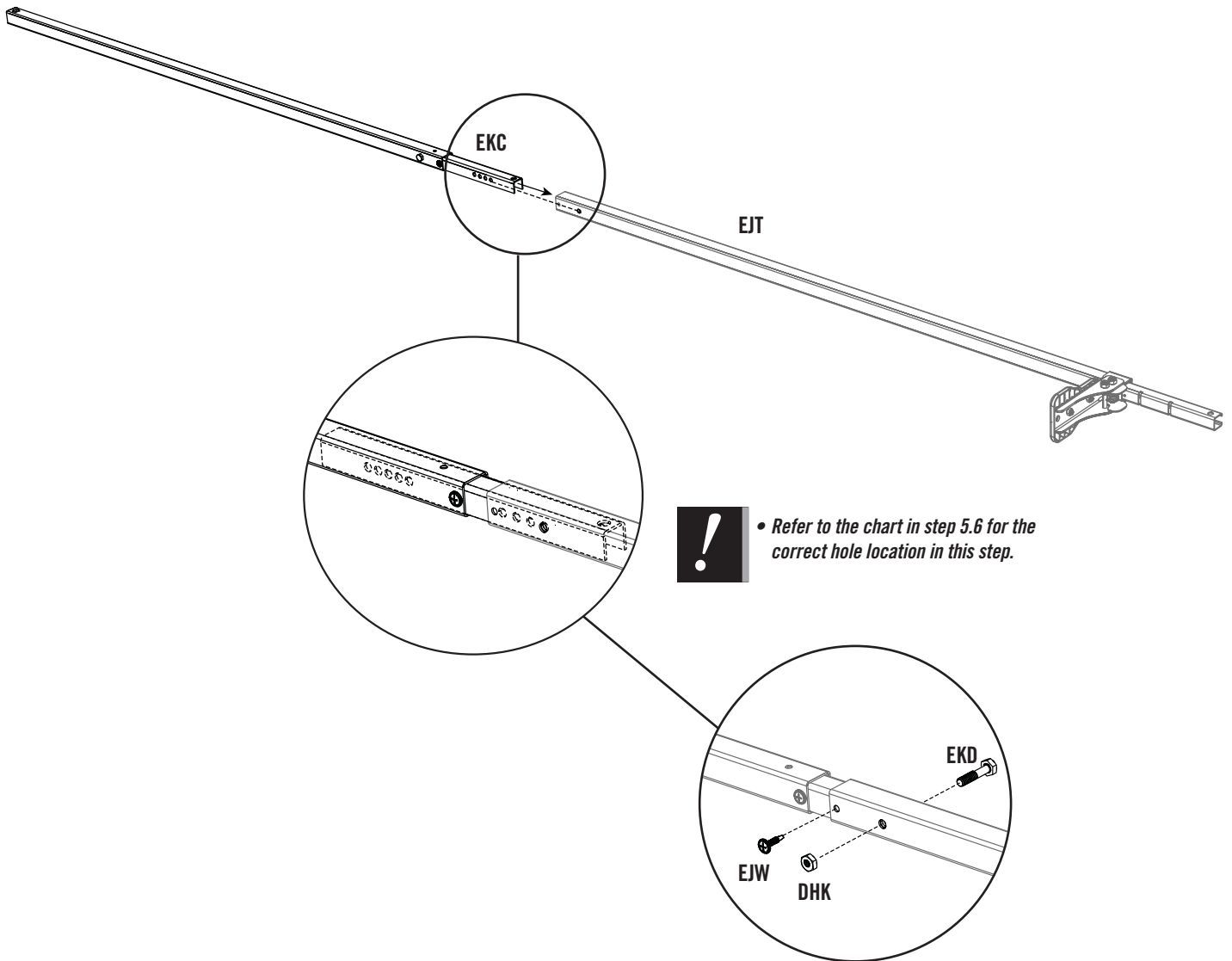
EJW (x1)



DHK (x1)

5.8

- Insert **Lifter Arm Bracket (EKC)** to **Outer Tube (EJT)**, then secure them with the hardware shown.



► SECTION 5 (CONTINUED)

TOOLS AND HARDWARE REQUIRED



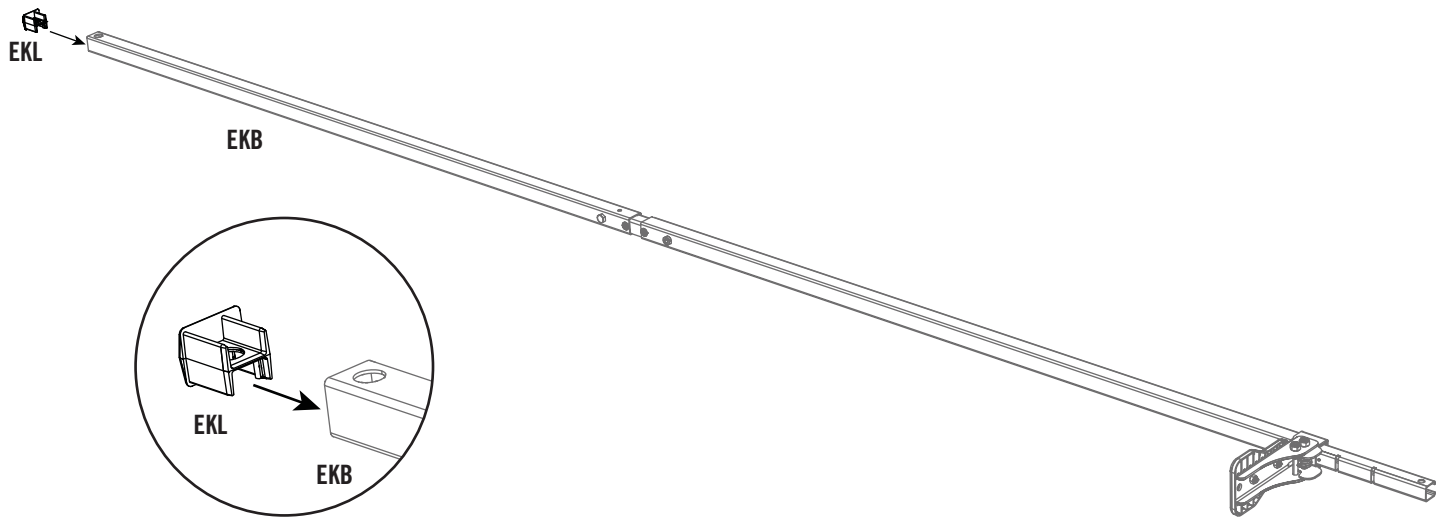
(x1)



ADT (x4)

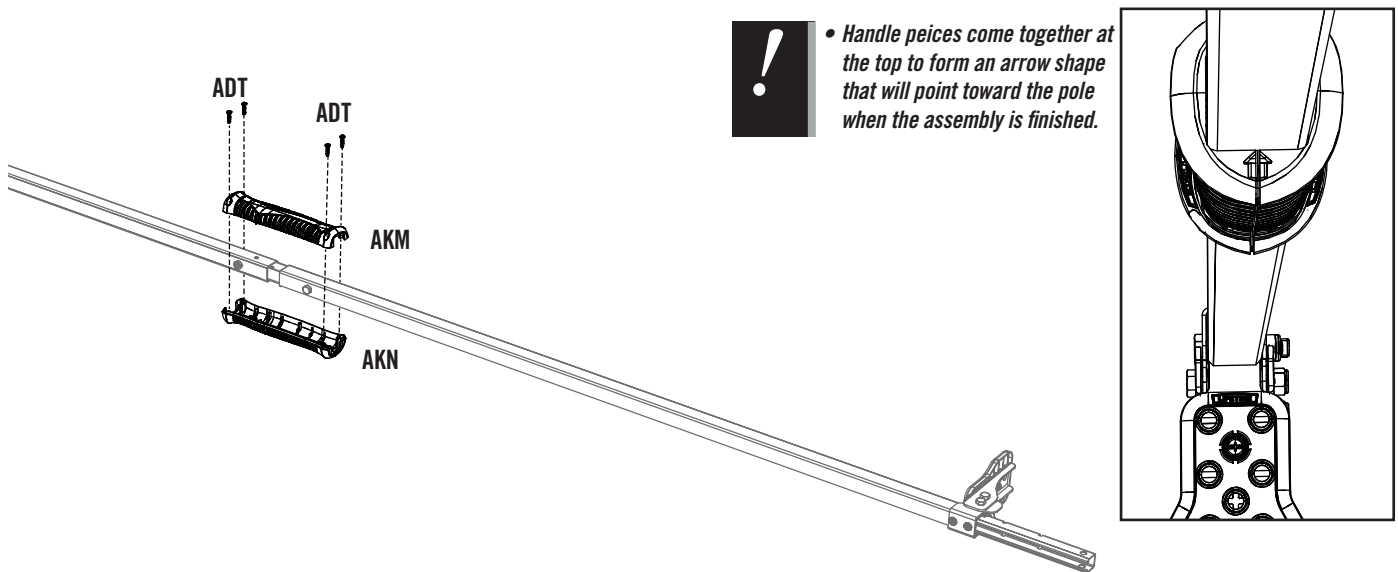
5.9

- Insert **Plug (EKL)** into the **Lifter Arm (EKB)** as shown.



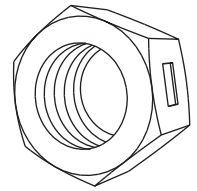
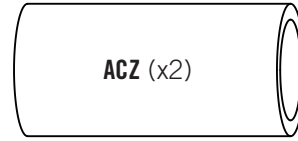
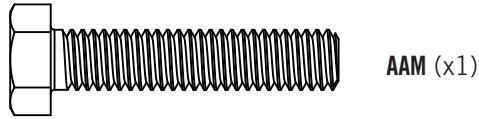
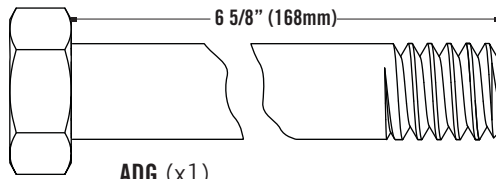
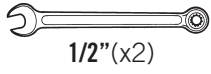
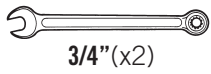
5.10

- Secure the **Left and Right Handles (AKM & AKN)** to the assembly with the hardware shown.



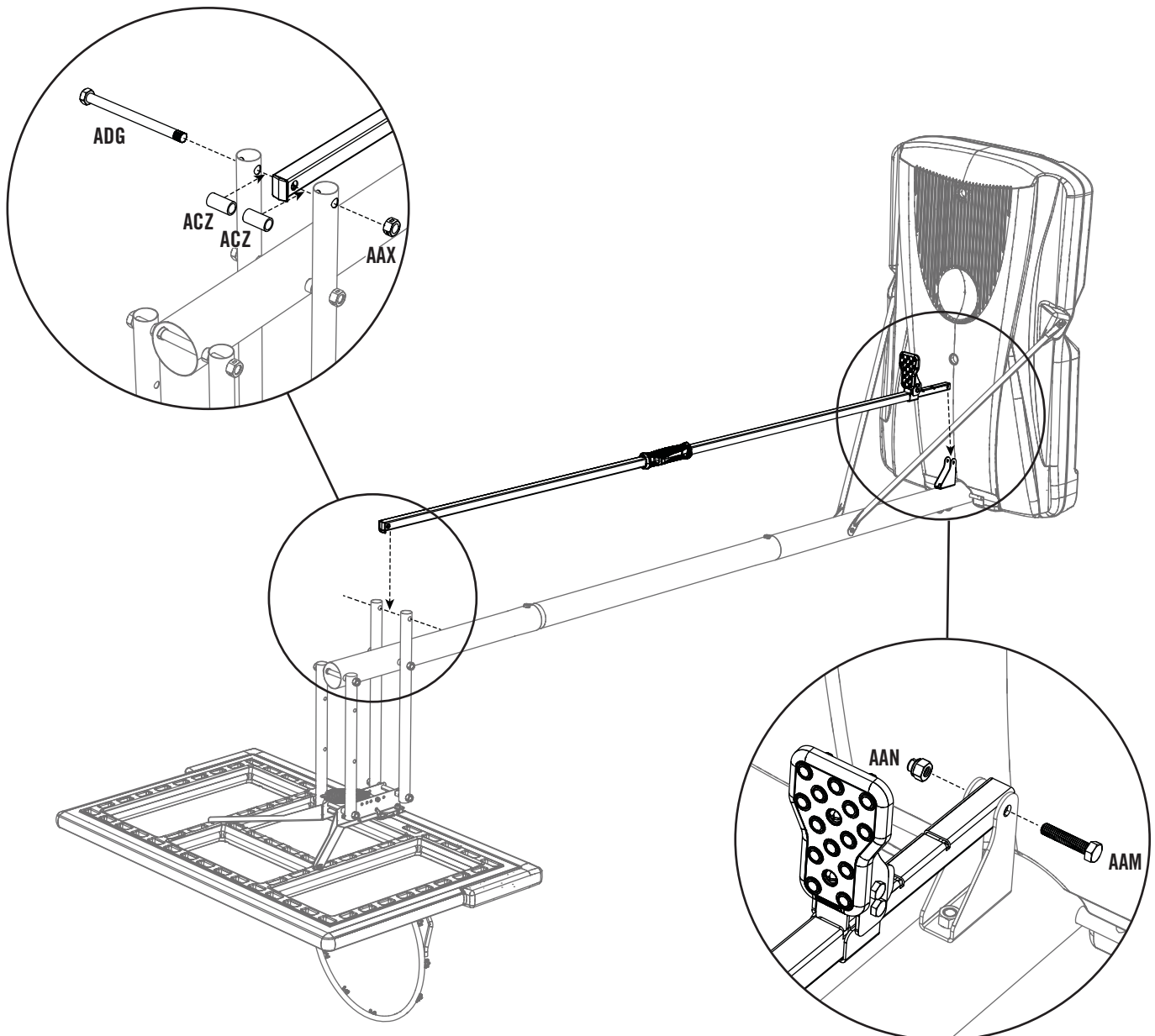
SECTION 5 (CONTINUED)

TOOLS AND HARDWARE REQUIRED



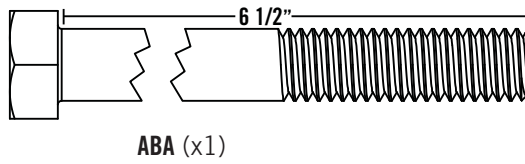
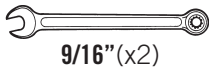
5.11

- Line up the Handle Assembly as indicated, then secure it with the hardware shown.



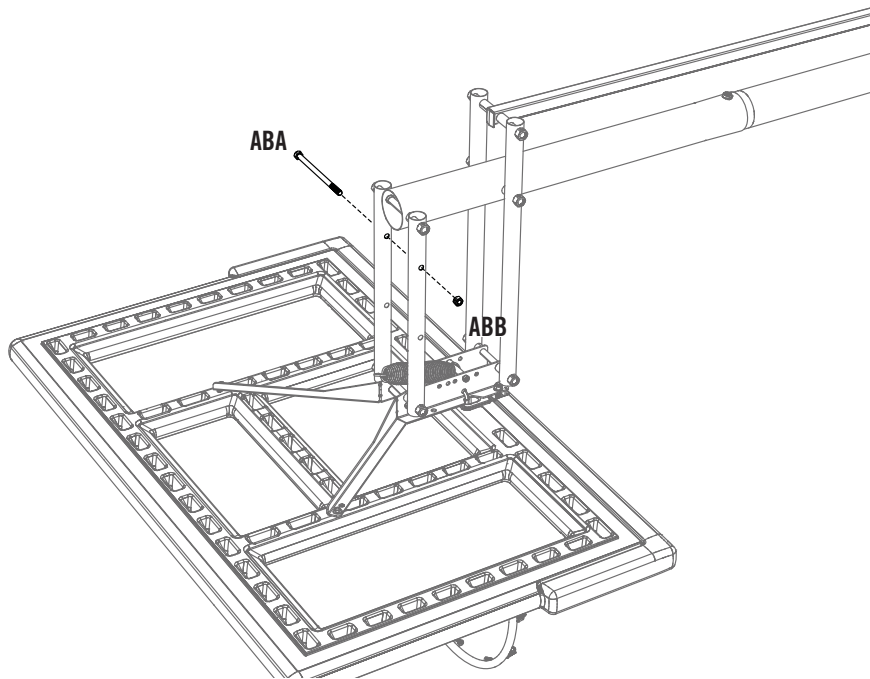
► SECTION 5 (CONTINUED)

TOOLS AND HARDWARE REQUIRED



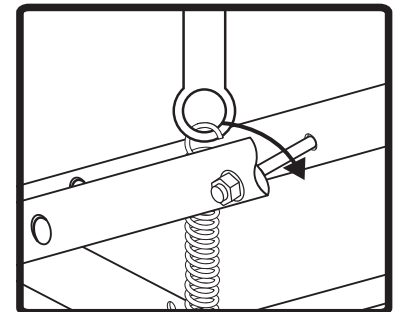
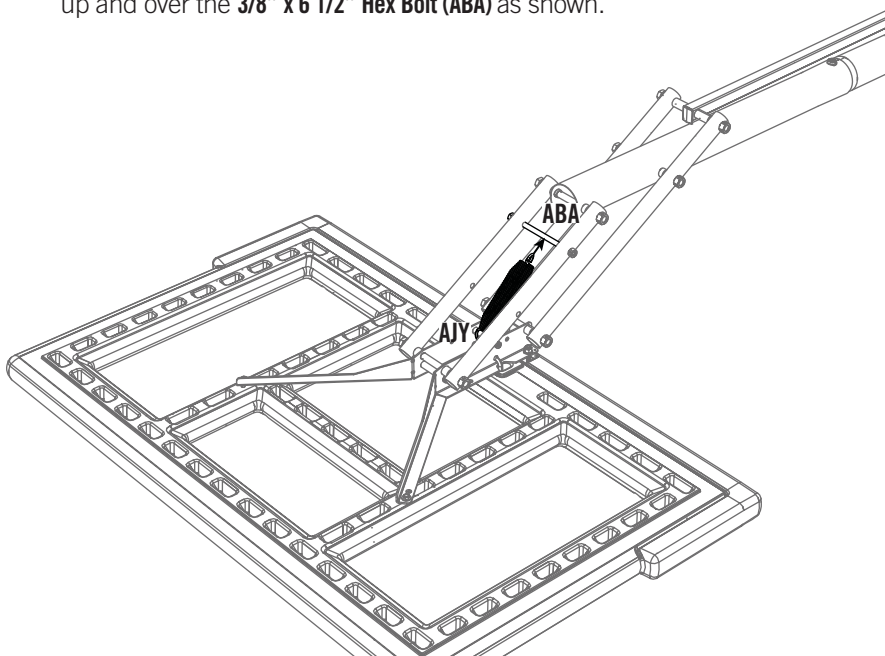
5.12

- Insert the **3/8" x 6 1/2" Hex Bolt (ABA)** through the holes in the **Short Extension Arms (AKC)** that are closest to the Pole. Secure it to the Short Extension Arms with the **3/8" Centerlock Nut (ABB)**.



5.13

- Raise the Backboard to the highest position. Using the closed end of a Wrench, stretch the **Counterbalance Spring (AJY)** up and over the **3/8" x 6 1/2" Hex Bolt (ABA)** as shown.



6

FINAL ASSEMBLY

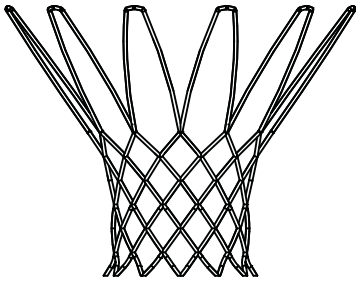


HARDWARE REQUIRED

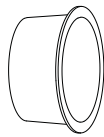


PARTS REQUIRED

Plastic Parts



AKZ (x1)



AEF (x2)



AKP (x1)



TOOLS REQUIRED



(1)



(1)



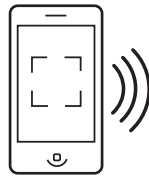
362 lb (163 kg)

▶ SECTION 6 (CONTINUED)

TOOLS AND HARDWARE REQUIRED



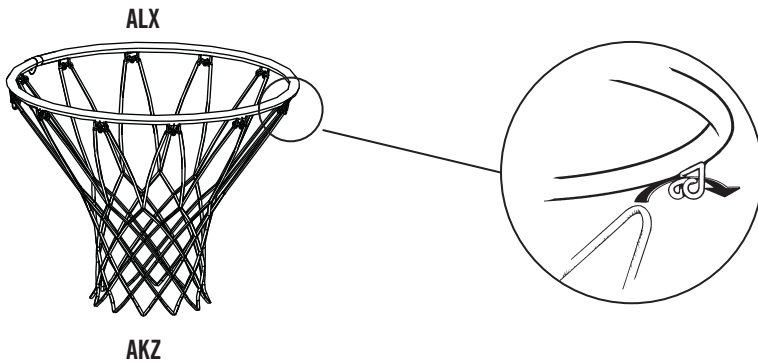
- If you have trouble with this section, scan the QR code below to view the assembly video.



- <http://go.lifetime.com/fillingthebase>

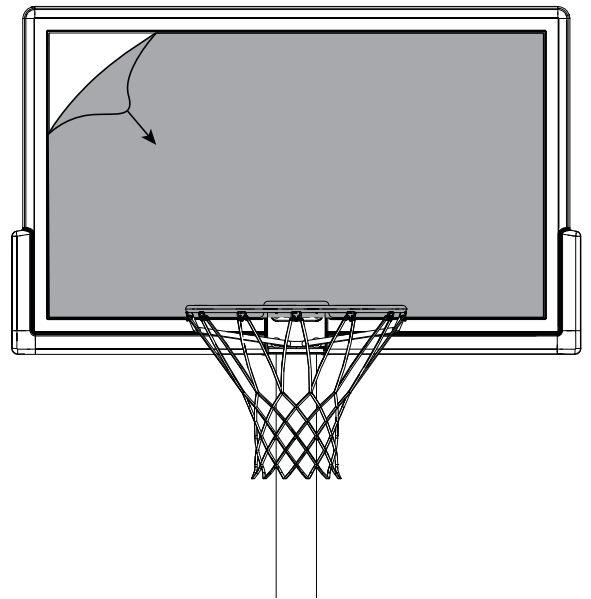
6.1

- Attach the **Net (AKZ)**.



6.2

- Remove the plastic film from the backboard.



► SECTION 6 (CONTINUED)

TOOLS AND HARDWARE REQUIRED



310 lb (141 kg)



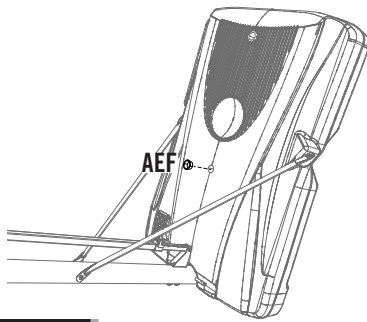
Two adults are required to complete this part of the assembly. To prevent serious injuries, the Pole should be held down by one adult at all times while the Base is being filled.

6.3A

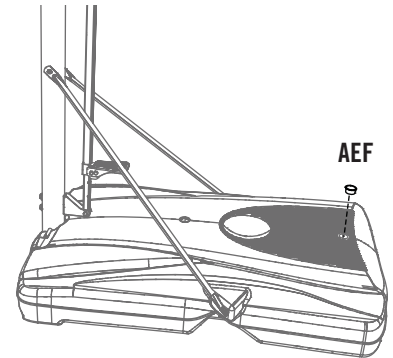
• OPTION A: FILLING WITH SAND

(310 lb of sand required)

- Insert a **Base Plug (AEF)** into the **Base (AJM)** in the hole closest to the Pole.
- Using a funnel, fill the Base with sand through the hole furthest from the Pole until the sand is just below the hole.
- Using two adults, stand the Base up on a flat surface and finish filling the Base with sand.
- Insert the other Base Plug into the hole furthest from the Pole.



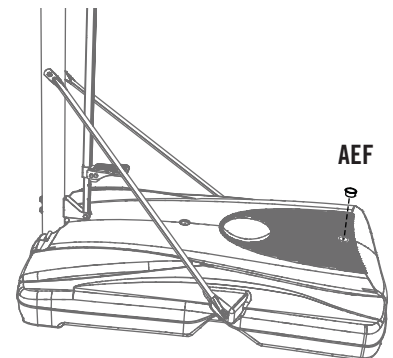
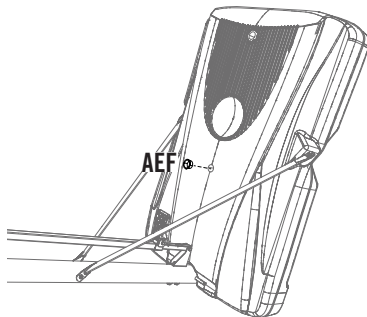
WARNING: For safety reasons, we recommend that sand be used instead of water to fill the Base. If a leak develops, water could run out unnoticed, allowing the system to fall over, resulting in serious personal injuries or property damage. If using water, check the Base carefully for leaks. If a leak is found, lay the system down on the ground and call Customer Service. Do not use, stand up, or play on a leaking system.



6.3B

• OPTION B: FILLING WITH WATER

- Insert a **Base Plug (AEF)** into the **Base (AJM)** in the hole closest to the Pole.
- Fill the Base with cold water through the hole furthest from the Pole until the water is just below the hole.
- Using two adults, stand the Base up on a flat surface and finish filling the Base with water.
- Add one tablespoon of chlorine bleach to the water to prevent algae formation.
- Insert the other Base Plug into the hole furthest from the Pole.



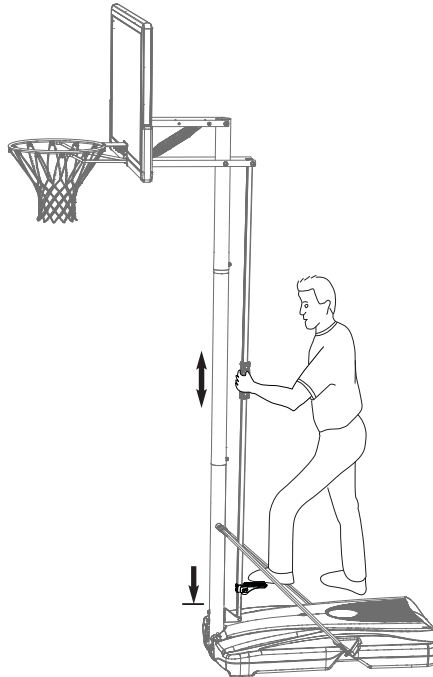
► SECTION 6 (CONTINUED)

TOOLS AND HARDWARE REQUIRED



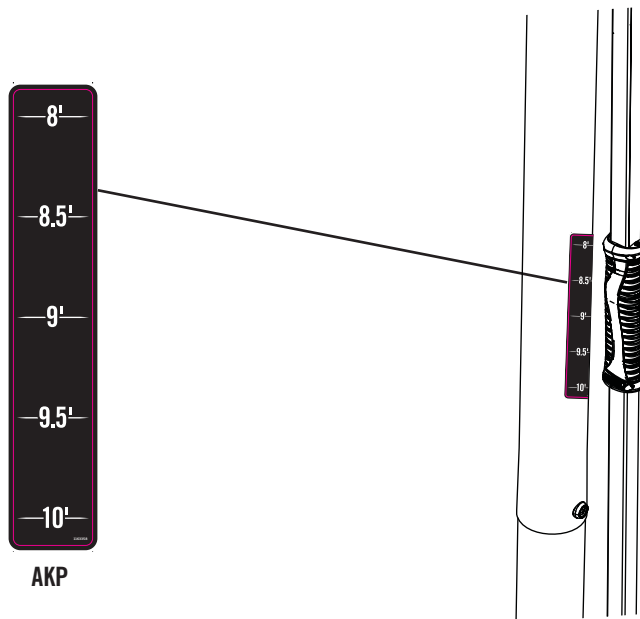
6.4

- To adjust the height of the system, hold the handle while depressing the Foot Pedal. Move the handle up or down to the desired height, then release the Foot Pedal to secure the position.



6.5

- To apply the **Height Sticker (AKP)**, raise the system to the highest setting (10 feet). Line up the 10-foot mark on the Sticker with the top of the Handle. Remove the backing on the sticker, and apply as shown.



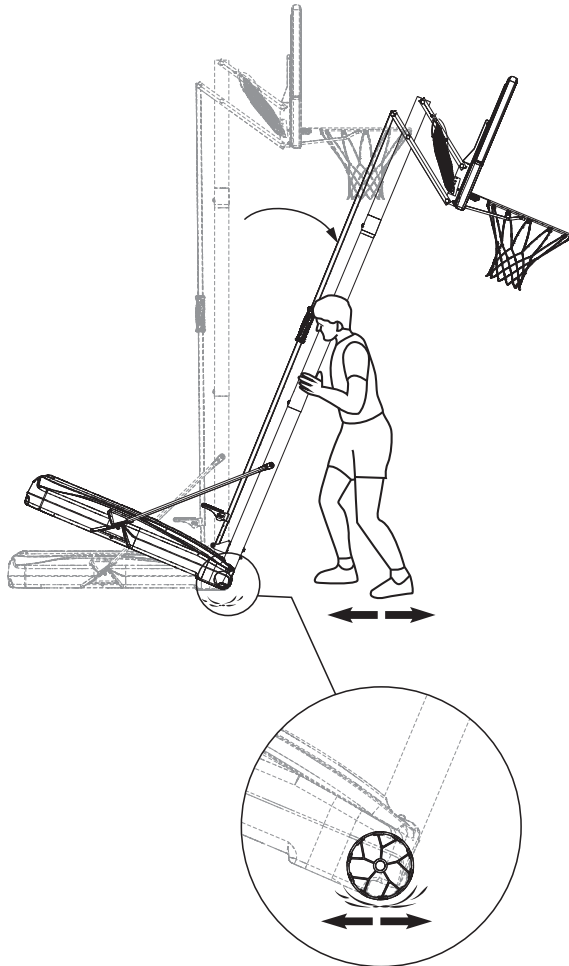
► SECTION 6 (CONTINUED)

TOOLS AND HARDWARE REQUIRED



6.6

- In order to move the system, please to adjust the system to its lowest position, then move it as shown.



WARNING: The system must only be moved by people capable of handling its weight. Do not allow children to move the system.

- Adjust the system to its lowest position, and use caution to prevent the height mechanism from adjusting.
- Stand in front of the system and pull on the Pole until the unit is balanced on its Wheels.
- Move the system to the desired location and carefully set the Base down.



CAUTION: The system must only be moved on its Wheels. Sliding the Base may damage the Base which could result in leakage and the system tipping over.



MAINTENANCE

The life of your basketball system depends on many variables. The climate, exposure to corrosives such as salt, pesticides, or herbicides, and excessive use or misuse can all contribute to Pole failure, which may cause property damage or personal injury.

Check your basketball system frequently for loose hardware, excessive wear, and signs of corrosion. For safety reasons, and to prolong the life of your basketball system, you must take the following preventive measures.

- a. Check all Nuts and Bolts. If any are loose, tighten them.
- b. Check all parts for excessive wear and tear. If necessary, replace any parts that have been worn or damaged through usage. Contact our Customer Service Department for replacement parts.
- c. Inspect the Warning Sticker on the Pole. If it is ripped, faded, or illegible, call our Customer Service Department to request a replacement Sticker.
- d. Check all Pole sections for visible rust or chipped or cracked paint. If either are present, do the following:
 1. Use an emery cloth to completely remove any rust or chipped paint.
 2. Clean the area with a damp cloth and allow it to dry.
 3. Apply two coats of a rust preventative, high gloss enamel paint to the area. Allow the paint to dry between coats.

IF RUST HAS PENETRATED THROUGH THE POLE ANYWHERE, REPLACE IT IMMEDIATELY!



REGISTER YOUR PRODUCT ONLINE AT WWW.LIFETIME.COM

At Lifetime®, we are committed to providing innovative and quality products. While registering, you will have the opportunity to give us your feedback. Your input is valuable to us.

- You can also opt in to receive new product notifications or promotions.
- In the unlikely event of a product recall or safety modification, your registration provides the information we need to notify you directly.
- Registration is fast, easy, and completely voluntary.

LIFETIME'S PROMISE TO YOU:

Maintaining your privacy is our long-standing policy at Lifetime®. And you can rest assured that Lifetime® will not sell or provide your personal data to other third parties, or allow them to use your personal data for their own purposes.

We invite you to read our privacy policy at www.lifetime.com

REGISTER today!



WARNING STICKER / IDENTIFICADOR DE PIEZAS / IDENTIFICATEUR DE PIÈCES



WARNING

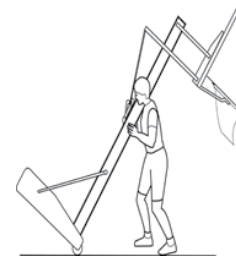


FAILURE TO FOLLOW THESE WARNINGS MAY RESULT IN SERIOUS INJURY AND/OR PROPERTY DAMAGE.

Owners must ensure that all players know and follow these rules for safe operation of the system.

- Only hang from the rim briefly to regain balance or avoid injuring others. Release the rim as soon as safely possible.
- During play, especially when performing dunk type activities, keep player's face away from the backboard, rim, and net. Serious injury could occur if teeth/face come in contact with the backboard, rim, or net. Player should wear a mouth guard during play.
- Do not slide, climb, or play on base or pole.
- Completely fill base according to manufacturer's instructions. Never leave the unit standing in an upright position without first filling the base with weight or the system will tip quickly causing serious personal injury.
- When adjusting height or moving system, keep hands and fingers away from moving parts.
- Do not allow children to move or adjust system.
- Do not wear jewelry (rings, watches, necklaces, etc.) during play. Objects may entangle in net.
- Keep organic material away from pole base. Grass, litter, etc. could cause corrosion and/or deterioration.
- Surface beneath the base must be smooth and free of gravel or other objects. Punctures cause leakage and could cause system to tip over.

- Once a month check pole and all metal parts for signs of corrosion (rust, pitting, chipping). Completely remove rust and repaint with exterior enamel. If rust has penetrated any steel part, replace that part immediately.
- Check system before each use for proper ballast, loose hardware, excessive wear, instability, and signs of corrosion and repair before use.
- Never play on damaged equipment.
- Do not use system during windy or severe weather. System may tip over. Place system in an area protected from the wind or in an area away from property that may be damaged if the system falls, and from overhead power lines.
- Do not use the system to lift or hoist anything. The mechanism is designed to lift only the weight of the backboard and rim. Do not hang anything from the handle, rim backboard, or lifter arms as this will damage the system and void the warranty.



ADVERTENCIA



AVERTISSEMENT



SI NO SE OBEDECEN ESTAS ADVERTENCIAS PUEDEN PRODUCIRSE GRAVES LESIONES Y/O DAÑOS A LA PROPIEDAD.

El propietario del sistema debe asegurarse de que todos los jugadores conozcan y respeten estas reglas para que el sistema se use en forma segura.

- Cuélguese del aro sólo en forma breve, para recuperar el equilibrio o evitar lesionar a otros jugadores. Suéltese del aro lo más pronto que pueda hacerlo con seguridad.
- Durante el juego, especialmente al embocar violentamente de alto, la cara de los jugadores debe mantenerse alejada del tablero, el aro y la red. Pueden producirse lesiones graves si los dientes o la cara entran en contacto con el tablero, el aro o la red. Los jugadores deben usar un protector bucal durante el juego.
- No se deslice, no trepe ni juegue sobre la base o el poste.
- Llene la base completamente siguiendo las instrucciones del fabricante. Nunca deje la unidad en posición de uso sin haber llenado previamente la base con material de contrapeso, pues el sistema podría tumbarse rápidamente y causar graves lesiones personales.
- Mantenga las manos y los dedos alejados de las piezas móviles cuando regule la altura o desplace el sistema.
- No deje que los niños regulen ni desplacen el sistema.
- No use joyas (anillos, relojes, collares o gargantillas, etc.) durante el juego. Estos objetos pueden engancharse en la red.
- La superficie donde se coloque la base debe estar lisa y desprovista de piedras, grava u otros objetos. Las perforaciones pueden originar pérdidas, y éstas pueden hacer que el sistema se tumbe.
- No permita que la base del poste entre en contacto con materiales orgánicos. El pasto, los desechos animales, etc., pueden causar corrosión y/o deterioros.
- Controle el poste y todas las piezas metálicas una vez al mes en busca de signos visibles de corrosión (oxidación, picaduras, escamado). Elimine todo rastro de óxido y vuelva a pintar con esmalte para exteriores. Si el óxido ha penetrado cualquier pieza de acero, reemplace esa pieza de inmediato.
- Inspeccione el sistema antes de cada uso para verificar que esté adecuadamente contrapesado, que los elementos de fijación no estén flojos, que no haya desgaste excesivo, inestabilidad ni signos de corrosión. Si encuentra irregularidades, repárelas antes de usar el sistema. Nunca juegue con un equipo dañado.
- No use el sistema en presencia de vientos fuertes o condiciones climáticas adversas, ya que puede tumbarse. Coloque la unidad en su posición de almacenamiento y/o en una zona a resguardo del viento, lejos de propiedades personales que puedan dañarse si el sistema se cae, y de líneas de suministro de energía.
- No use el sistema para levantar ningún objeto. El mecanismo está diseñado para elevar solamente el peso del tablero con el aro. No cuelgue nada de la agarradera, el aro, el tablero ni los brazos de elevación, ya que esto puede dañar el sistema y anular la garantía.

FAUTE DE NE PAS SUIVRE CES AVERTISSEMENTS, VOUS RISQUEZ DE CAUSER DES BLESSURES GRAVES ET/OU DES DOMMAGES À L'ÉQUIPEMENT.

Le propriétaire doit s'assurer que tous les joueurs connaissent et appliquent les règles suivantes afin d'utiliser l'équipement en toute sécurité.

- Ne vous suspendez pas à l'anneau plus que nécessaire pour retrouver votre équilibre ou éviter de blesser les autres joueurs. Relâchez l'anneau aussitôt que possible.
- Lors d'un match, particulièrement dans le cas des smashes, le visage du joueur ne doit pas faire face au panneau, à l'anneau, ni au filet. Le joueur risque de graves blessures si ses dents ou son visage entrent en contact avec le panneau, l'anneau, ou le filet. Les joueurs doivent toujours porter un protège-dents lorsqu'ils jouent.
- Ne glissez pas, ne grimpez pas, et ne jouez pas sur la base ou le poteau.
- Remplissez complètement la base selon les instructions du fabricant. Ne laissez jamais l'unité debout de plein pied sans avoir d'abord rempli la base avec un poids ou l'équipement pourrait basculer rapidement et causer de graves blessures.
- Lorsque vous ajustez la hauteur ou lorsque vous déplacez l'équipement, gardez vos mains et doigts loin des pièces mobiles.
- Ne permettez pas aux enfants de déplacer ou d'ajuster l'équipement.
- Ne portez pas de bijoux (bagues, montres, colliers, etc.) lorsque vous jouez. Ces objets pourraient s'accrocher au filet.
- La surface sur laquelle est posée la base doit être lisse et sans gravier ou tout autre objet qui pourrait troubler la base entraînant ainsi une fuite ce qui pourrait faire basculer l'équipement.
- La base ne doit pas non plus être posée sur aucun type de matière organique. L'herbe, les déchets, etc. peuvent entraîner la corrosion et la détérioration de l'équipement.
- Une fois par mois, vérifiez que le Poteau et toutes les pièces en métal ne montrent pas de signes de corrosion (rouille, piqûres, écaillage). Enlevez toute la rouille et repeignez complètement avec une peinture pour extérieur. Si la rouille a pénétré une des pièces en acier, vous devez remplacer immédiatement la pièce en question.
- A chaque fois que vous allez utiliser l'équipement, vérifiez d'abord l'équilibre, la possibilité de pièces desserrées ou usées, la stabilité de l'équipement et tout signe de corrosion ou réparation nécessaire avant utilisation.
- Ne jouez jamais avec un équipement endommagé.
- N'utilisez pas l'équipement lors de fortes rafales de vent ou de mauvais temps. L'équipement pourrait basculer. Placez l'équipement dans un endroit abrité du vent ou loin des structures qu'il pourrait endommager s'il basculait et loin des fils électriques.
- N'utilisez pas l'équipement pour lever ou soulever quoique ce soit. Son mécanisme a été conçu uniquement pour soutenir le poids du panneau et de l'anneau. N'accrochez rien au manche, à l'anneau, au panneau ni aux leviers sous peine d'endommager l'équipement et d'annuler la garantie.



NOTES / REMARQUES / NOTAS

A large, empty white rectangular area intended for writing notes or remarks.



NOTES / REMARQUES / NOTAS

A large, empty white rectangular area intended for writing notes or remarks.



NOTES / REMARQUES / NOTAS

A large, empty white rectangular area intended for writing notes or remarks.



5-YEAR LIMITED FACTORY WARRANTY

THE MANUFACTURER RESERVES THE RIGHT TO MAKE SUBSTITUTIONS TO WARRANTY CLAIMS IF PARTS ARE UNAVAILABLE OR OBSOLETE.

1. Lifetime basketball systems are warranted to the original purchaser to be free from defects in material or workmanship for a period of five years from the date of original retail purchase. The word “defects” is defined as imperfections that impair the use of the product. Defects resulting from misuse, abuse or negligence will void this warranty. This warranty does not cover defects due to improper installation, alteration or accident. This warranty does not cover damage caused by vandalism, rusting, “acts of nature” or any other event beyond the control of the manufacturer.
2. This warranty is nontransferable and is expressly limited to the repair or replacement of defective product. If the product is defective within the terms of this warranty, Lifetime Products, Inc. will repair or replace defective parts at no cost to the purchaser. Shipping charges to and from the factory or distribution center are not covered and are the responsibility of the purchaser. Labor charges and related expenses for removal, installation or replacement of the basketball system or its components are not covered under this warranty.
3. This warranty does not cover scratching or scuffing of the product that may result from normal usage. In addition, defects resulting from intentional damage, negligence, unreasonable use or hanging from the rim will void this warranty.
4. Liability for incidental or consequential damages is excluded to the extent permitted by law. While every attempt is made to embody the highest degree of safety in all equipment, freedom from injury cannot be guaranteed. The user assumes all risk of injury resulting from the use of this product. All merchandise is sold on this condition, and no representative of the company may waive or change this policy.
5. This product is not intended for institutional or commercial use; Lifetime Products, Inc. does not assume any liability for such use. Institutional or commercial use will void the warranty.
6. Our goods come with guarantees that cannot be excluded under the Australian Consumer Law. You are entitled to a replacement or refund for a major failure and for compensation for any other reasonably foreseeable loss or damage. You are also entitled to have the goods repaired or replaced if the goods fail to be of acceptable quality and the failure does not amount to a major failure.
7. This warranty is expressly in lieu of all other warranties, expressed or implied, including warranties of merchantability or fitness for use to extent permitted by Federal and state law. Neither Lifetime Products, Inc., nor any representative assumes any other liability in connection with this product. This warranty gives you specific legal rights, and you may also have other rights which vary from state to state.

PLEASE INCLUDE YOUR DATED SALES RECEIPT AND PHOTOGRAPHS OF DAMAGED PARTS.

REPORT PRODUCT DEFECTS IN WRITING TO:

Lifetime Products, Inc., PO Box 160010 Clearfield, UT 84016-0010
or call 1-800-225-3865 M-F 7 a.m. to 5 p.m. MST.

REGISTER YOUR PRODUCT FOR QUICKER CUSTOMER SERVICE.

Visit www.lifetime.com or call 1-800-225-3865 to register your product today.

FOR INTERNATIONAL WARRANTY CLAIMS:

All warranty claims must be accompanied by a sales receipt. Report all warranty claims in writing to your regional sales support representative. Please include your dated sales receipt and photographs of damaged parts.

To identify the representative for your region, please visit: www.lifetime.com/international



www.lifetime.com

ENHANCE YOUR LIFETIME® PURCHASE BY ADDING ACCESSORIES OR OTHER GREAT PRODUCTS

To purchase accessories or other Lifetime® products, visit us at:

www.lifetime.com

Or call: 1-800-424-3865

7:00 am–5:00 pm (M–F) MST and 9:00 am–1:00 pm Saturday MST

AMÉLIOREZ VOTRE ACHAT LIFETIME® EN AJOUTANT DES ACCESSOIRES OU DES AUTRES PRODUITS

Pour acheter des accessoires ou des autres produits Lifetime®, rendez-vous une visite à :

www.lifetime.com

Ou appelez-nous au 1-800-424-3865

Du lundi au vendredi 7 h – 17 h (HNR) et samedi 9 h – 13 h (HNR)

MEJORE SU COMPRA DE LIFETIME® AGREGANDO ACCESORIOS U OTROS MARAVILLOSOS PRODUCTOS

Para comprar accesorios u otros productos visítenos en: de Lifetime®, visítenos en:

www.lifetime.com

O llame al: 1-800-424-3865

De lunes hasta viernes 7:00 hr–17:00 hr Horario Éstandar de la Montaña (MST) y sábados 9:00 hr–13:00 hr (MST)



www.lifetime.com

