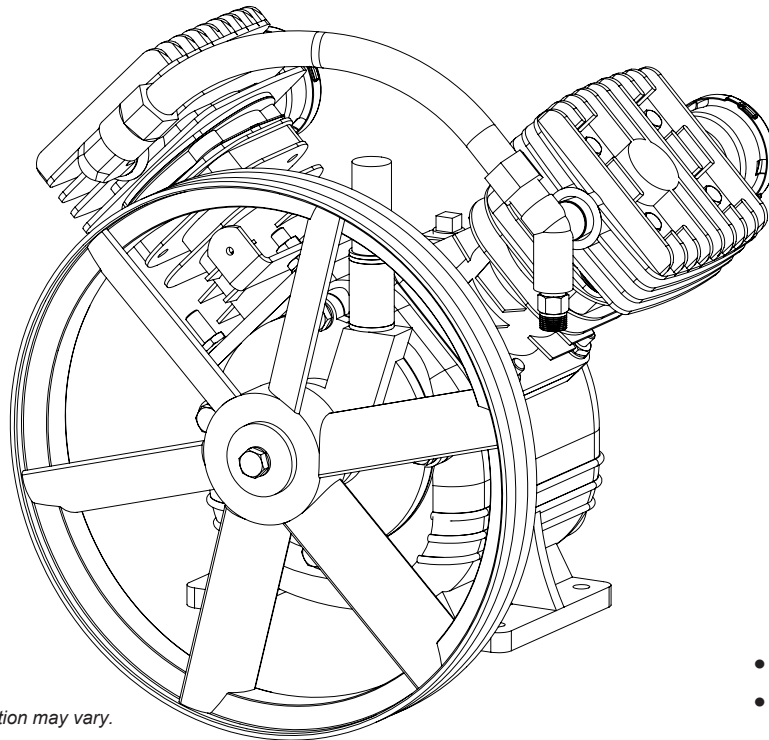


Cast Iron V-Twin Cylinder Air Compressor Pump Model # 040-0386RP



NOTE: Product style and configuration may vary.

- Français, p. 8-13
- Español, p. 14-19

SPECIFICATIONS	
Working Pressure	125-155 PSI
Maximum Pressure	155 PSI
Maximum Speed	1300 RPM
Rated Air Delivery	6.2 CFM @ 40 PSI 5.3 CFM @ 90 PSI
Flywheel Diameter	10.5"
Lubrication	Splash Type with Oil Level Sight Glass
Running Horsepower	1.6
V-Belt Width	A-Width
Oil Capacity	11.35 oz.
Mounting Hole Pattern	3.54" x 6.77" (Center to Center)
Mounting Hole Diameter	.375"
Outlet Size	3/8" Compression Fitting

⚠ WARNING: Read and understand all safety precautions in this manual before operating. Failure to comply with instructions in this manual could result in personal injury, property damage, and/or voiding of your warranty. The manufacturer **WILL NOT** be liable for any damage because of failure to follow these instructions.

TABLE OF CONTENTS

SAFETY GUIDELINES.....2-3	SERVICE INTERVAL 5
ASSEMBLY AND INSTALLATION.....3-4	TROUBLESHOOTING CHART 5
MAINTENANCE4-5	PARTS DRAWINGS AND PARTS LISTS6-7

SAFETY GUIDELINES

The following information relates to protecting YOUR SAFETY and PREVENTING EQUIPMENT PROBLEMS. To help you recognize this information, we use the following symbols. Please read the manual and pay attention to these sections.










⚠ DANGER: – A POTENTIAL HAZARD THAT WILL CAUSE SERIOUS INJURY OR LOSS OF LIFE.

⚠ WARNING: – A POTENTIAL HAZARD THAT COULD CAUSE SERIOUS INJURY OR LOSS OF LIFE.








⚠ CAUTION: – A POTENTIAL HAZARD THAT MAY CAUSE MODERATE INJURY OR DAMAGE TO EQUIPMENT.

IMPORTANT SAFETY INSTRUCTIONS

⚠ WARNING:

<p>RISK OF FIRE OR EXPLOSION.</p> 	<p>Never spray flammable liquids in a confined area. It is normal for the motor and pressure switch to produce sparks while operating. If sparks come into contact with vapors from gasoline or other solvents, they may ignite, causing fire or explosion. Always operate the compressor in a well-ventilated area. Do not smoke while spraying. Do not spray where sparks or flame are present. Keep compressor as far from spray area as possible. Store flammable materials in a secure location away from compressor. Equip the area of operation with a fire extinguisher.</p>
<p>RISK OF BURSTING.</p> 	<p>Do not weld, drill or modify the air tank of a compressor. Welding or modifications on the air compressor tank can severely impair tank strength and cause an extremely hazardous condition. If tank develops a leak, replace it immediately with a new tank or replace the entire compressor. Do not use any tank except one made especially for compressed air and factory tested and approved for the desired operating pressure. The tank must be equipped with a reliable safety valve set at the working pressure of the air tank. A check valve must be installed in the line between the pump and the tank.</p>
<p>RISK OF ELECTRICAL SHOCK.</p> 	<p>Never use an electric air compressor outdoors when it is raining or on a wet surface, as it may cause an electric shock. Failure to provide adequate grounding to this product could result in serious injury or death from electrocution. Make certain that the electrical circuit to which the compressor is connected provides proper electrical grounding, correct voltage and adequate fuse protection.</p>
<p>RISK OF INJURY.</p> 	<p>ALWAYS shut off the compressor, remove the plug from the outlet, and bleed all pressure from the system before servicing the compressor, and when the compressor is not in use. Do not use the unit with the shrouds or belt guard removed. Serious injury could occur from contact with moving parts. Stay alert and watch what you are doing when operating the compressor. Do not use the compressor while tired or under the influence of drugs or alcohol.</p>
<p>RISK OF BURSTING.</p> 	<p>Check the manufacturer's maximum pressure rating for air tools and accessories. Compressor outlet pressure must be regulated so as to never exceed the maximum pressure rating of the tool. Relieve all pressure through the hose before attaching or removing accessories. Never use compressor to inflate small low pressure objects such as children's toys, footballs, basketballs, etc.</p>
<p>RISK OF BURNS.</p> 	<p>High temperatures are generated by the pump. To prevent burns or other injuries, DO NOT touch the pump or transfer tube while the pump is running. Allow them to cool before handling or servicing. Keep children away from the compressor at all times. Do not reach around protective shrouds or attempt to maintenance until unit has been allowed to cool.</p>
<p>RISK TO BREATHING/INHALATION HAZARD.</p> 	<p>Always wear MSHA/NIOSH approved, properly fitting face mask or respirator and work in a well ventilated area when using tools that generate dust. Some dust created by power sanding, grinding, drilling and other construction activities contains chemicals known (to the State of California) to cause cancer, birth defects or other reproductive harm. Some examples of these chemicals are:</p> <ul style="list-style-type: none"> • lead from lead-based paints • crystalline silica from bricks and cement and other masonry products • arsenic and chromium from chemically treated lumber.
<p>RISK TO BREATHING.</p> 	<p>Be certain to read all labels when you are spraying paints or toxic materials, and follow the safety instructions provided on the label or safety sheets for the materials you are spraying. Use a MSHA/NIOSH approved respirator mask if there is a chance of inhaling anything you are spraying. Read all instructions and be sure that your respirator mask will protect you. Work in an area with good cross ventilation.</p>
<p>RISK OF EYE INJURY.</p> 	<p>Always wear ANSI Z87.1 approved safety goggles when using an air compressor. Never point any nozzle or sprayer toward a person, animal or any part of the body. Equipment can cause serious injury if the spray penetrates the skin.</p>

IMPORTANT SAFETY INSTRUCTIONS


RISK OF BURSTING. 	•Do not use plastic or pvc pipe for compressed air. Use only galvanized steel pipe and fittings for compressed air distribution lines.
RISK OF FIRE. 	Unattended operation of this compressor could result in personal injury or property damage. To reduce the risk of fire, do not allow the compressor to operate unattended. Always disconnect electrical power by turning the pressure switch to off and drain the tank daily or after each use.
RISK TO BREATHING. 	Air obtained directly from the compressor should never be used to supply air for human consumption. The air stream may contain carbon monoxide, toxic vapors, or solid particles from tank. Breathing these contaminant's can cause serious injury or death. In order to use air produced by this compressor for breathing, suitable filters and in-line safety equipment must be properly installed. In-line filters and safety equipment must be properly installed. In-line filters and safety equipment used in conjunction with the compressor must be capable of treating air to all applicable local and federal codes prior to human consumption.
RISK OF INJURY. 	Always operate the compressor in a stable secure position to prevent accidental movement of the unit. Never operate the compressor on a table, workbench, roof or other elevated position. Use additional air hose to reach high locations.
RISK TO HEARING. 	Always wear hearing protection when using an air compressor. Failure to do so may result in hearing loss.
NOTE: ELECTRICAL WIRING.	Refer to the air compressor's serial label for the unit's voltage and amperage requirements. Ensure that all wiring is done by a licensed electrician, in accordance with the National Electrical code.
	WARNING: CONTAINS LEAD. May be harmful if eaten or chewed. May generate dust containing lead. Wash hands after use. Keep out of reach of children.
	WARNING: This product can expose you to chemicals including Lead, which is known to the State of California to cause cancer and birth defects or other reproductive harm. For more information go to www.P65Warnings.ca.gov .

CAUTION:

To provide proper ventilation for cooling, the compressor must be kept a minimum of 12 inches (31 cm) from the nearest wall, in a well-ventilated area. Restricting any of the compressor ventilation openings will cause overheating and could cause fire, never place objects against or on top of compressor.

On oil-lubed compressors, oil can leak or spill and could result in fire or breathing hazard. Oil leaks will damage paint, carpet or other surfaces in vehicles or trailers. Always place the compressor on a protective mat when transporting to protect against damage to vehicle from leaks. Remove compressor from vehicle immediately upon arrival at your destination.

ASSEMBLY AND INSTALLATION


 **WARNING:** Improper installation by unqualified personnel can result in serious injury or death. Replacement and installation must be performed by authorized service center personnel.

This air compressor pump is intended to be used as a replacement pump on an existing air compressor system of similar performance. Use of this air compressor pump in alternate applications will void the warranty and potentially create unsafe operating conditions.

- Place flywheel on the crankshaft and attach with washers and bolt. Torque bolt to 14-16 LB-FT. Verify correct flywheel rotation.

 **CAUTION:** Do not force flywheel onto the crankshaft.

- Position and assemble air compressor to the platform.
- Attach air filters to the pump heads.


 This air compressor pump was shipped without oil in the crankcase. Oil must be added before operation. Running the pump without oil will void your warranty.

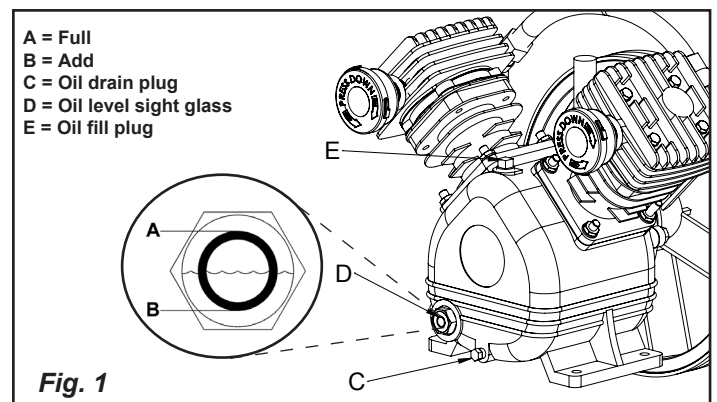
NOTICE: Risk of property damage. Use air compressor oil only. Multi-weight automotive engine oils like 10W30 should not be used in air compressors. They leave carbon deposits on critical components, thus reducing performance and compressor life.

NOTE: Use full synthetic, non-detergent air compressor oil.

NOTE: Crankcase oil capacity is approximately 11.35 fluid ounces (335,7 ml).

- Unscrew the yellow shipping plug from the pump and discard.
- Slowly add compressor oil until it is between A and B (approximately 11.35 oz.). Note: When filling the crankcase, the oil flows very slowly into the pump. If the oil is added too quickly, it will overflow and appear to be full.
- Screw in the oil fill plug (E) located in the carton.

 **CAUTION:** Overfilling with oil will cause premature compressor failure. Do not overfill.



ASSEMBLY AND INSTALLATION

CAUTION: The piping between the compressor and the air receiver should be no smaller than the compressor outlet. Do not under any circumstances install any kind of shut-off valve between the compressor and the air receiver. A check valve must be installed between the compressor and the air receiver.

DRIVE BELT TENSION ADJUSTMENT

NOTE: Drive belt tensioning and pulley alignment are done at the same time. They are discussed separately for clarity.

WARNING: RISK OF INJURY. ALWAYS shut off the compressor, remove the plug from the outlet, and bleed all pressure from the system before servicing the compressor, and when the compressor is not in use. Do not use the unit with the shrouds or belt guard removed. Serious injury could occur from contact with moving parts.

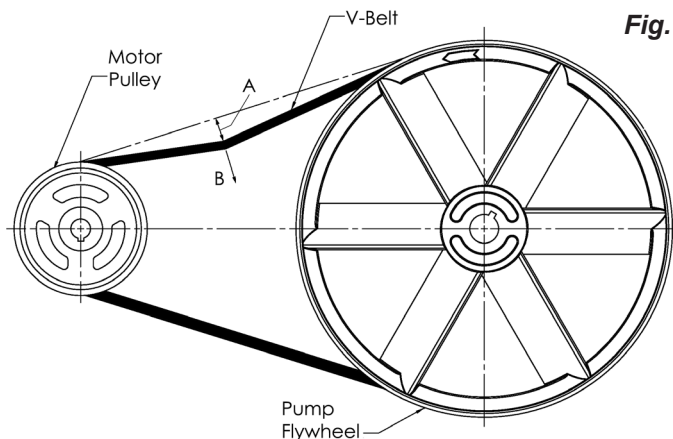


Fig. 2

Proper belt tension and pulley alignment must be maintained for maximum drive efficiency and belt life. The correct tension exists if a deflection (see A) of 1/2" (13 mm) occurs by placing 5 lbs. (2.3 kg) of force (see B) midway between the motor pulley and the pump flywheel (See Fig. 2). This deflection can be adjusted by the following procedure. The pulley should be carefully aligned with the flywheel, and all setscrews should be kept tight.

1. Loosen the motor mounting bolts.
2. Shift the motor to the point where the correct deflection exists (A & B).
3. Retighten the motor mounting bolts to 130-180 in.-lbs.
4. Check to ensure that the tension remained correct.
5. Reinstall the belt guard. All moving parts must be guarded.

PULLEY ALIGNMENT

NOTE: Once the motor pulley has been moved from its factory set location, the grooves of the flywheel and pulley must be aligned to within 1/16" to prevent excessive belt wear.

To check pulley alignment, place a straightedge (see A) against the pump flywheel (see B) (See Fig. 3). Measure and record the distance from the straightedge to the edge of the drive belt at point C. Then measure the distance from the straightedge to the edge of the drive belt again at points D and E. Both distances should be the same as at point C. If D or E are different from C, there is a misalignment which must be corrected before the compressor is run. To correct a pulley misalignment, use the following procedure.

1. Loosen the motor mounting bolts.
2. Align the motor pulley with the pump flywheel (C-D-E must be equal).
3. Adjust the proper belt tension.
4. Retighten the motor mounting bolts to 130-180 in.-lbs.
5. Reinstall the belt guard. All moving parts must be guarded.

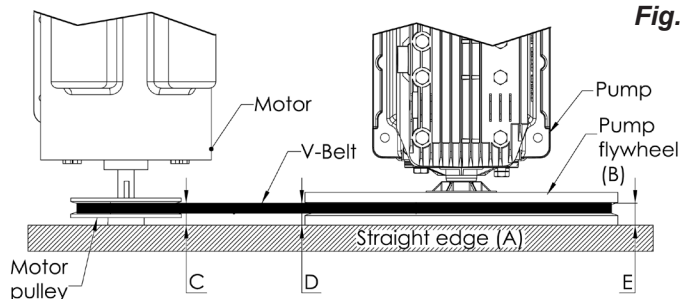


Fig. 3

BREAK-IN OF THE PUMP

After installation is complete, start the unit and run the pump without load for 30 minutes to lubricate and break in the internal parts.

MAINTENANCE

MAINTENANCE

WARNING: RISK OF INJURY. ALWAYS shut off the compressor, remove the plug from the outlet, and bleed all pressure from the system before servicing the compressor, and when the compressor is not in use. Do not use the unit with the shrouds or belt guard removed. Serious injury could occur from contact with moving parts.

Regular maintenance will ensure trouble-free operation. Your air compressor pump represents high-quality engineering and construction; however, even high-quality machinery requires periodic maintenance. The items listed below should be inspected on a regular basis.

CHECKING THE OIL

Check the level of oil in the pump with the sight glass. The pump oil level must be between A and B. Do not overfill or under fill.

NOTE: Use full synthetic, non-detergent air compressor oil.

CHANGING THE OIL

Remove the oil plug (C) and drain the oil until it slows to a drip, then close. Unscrew the oil fill plug (E) and add compressor oil (approx. 11.35 oz.) until it is between full (A) and add (B). Replace the oil fill plug. Never overfill or under fill the pump.

NOTE: Use full synthetic, non-detergent air compressor oil.

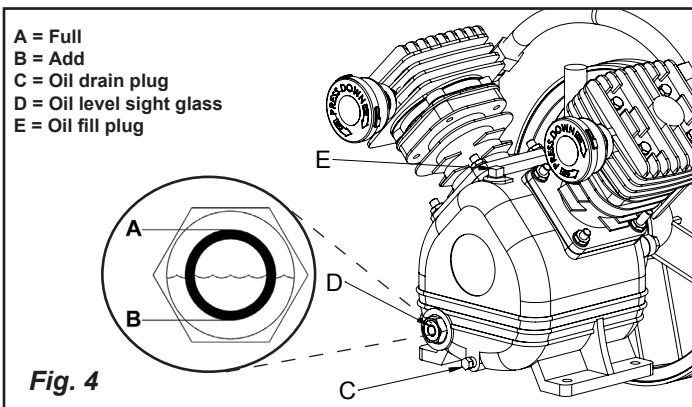
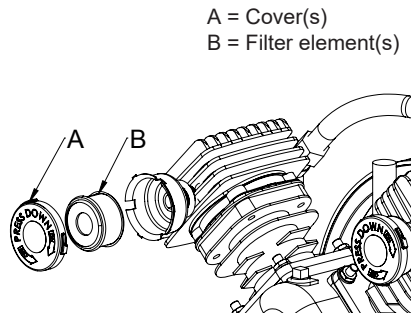


Fig. 4

MAINTENANCE

CLEANING THE AIR FILTERS

A dirty air filter will reduce the compressor's performance and life. To avoid any internal contamination of the pump, the filters should be cleaned frequently, and replaced on a regular basis. Paper filters should be replaced when dirty. Do not allow the filters to become filled with dirt or paint. If the filter becomes filled with paint, it should be replaced. Direct exposure to dirty conditions or painting areas will void your warranty.



SERVICE INTERVAL

Perform the following maintenance at the intervals indicated below.	Daily or after each use	Every 100 operating hours	After first 8 hours and then every 500 operating hours
Inspect air filters (clean or replace as necessary)	•		
Check pump oil level	•		
Change pump oil (Use full synthetic, non-detergent air compressor oil.)		•	
Check belt tension		•	
Check and tighten all bolts (do not over tighten)			•

TROUBLESHOOTING

Note: Troubleshooting problems may have similar causes and solutions.

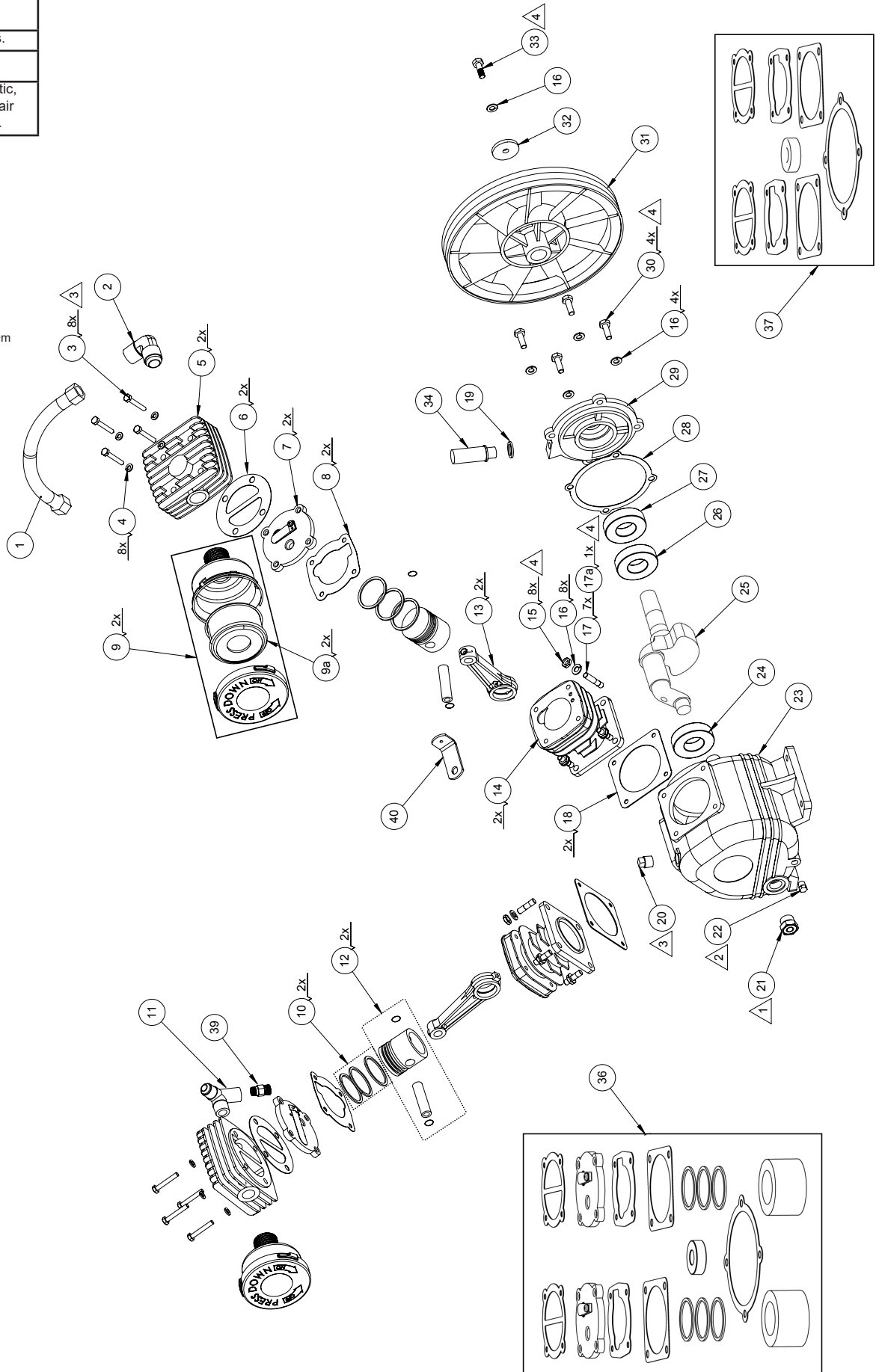
PROBLEM	POSSIBLE CAUSE	SOLUTION
Excessive current draw trips circuit breaker or motor reset switch	Low voltage/motor overload	Check that power supply is adequate and that compressor is on a dedicated circuit.
	Drive belt tension too tight	Readjust belt tension.
	Restricted air passages	Inspect and replace transfer tubes or the check valve.
Compressor stalls	Low voltage to motor	Furnish adequate power.
Low discharge pressure	Air leaks	Tighten or replace leaking fittings or connections. Do not overtighten.
	Leaking valves	Contact a qualified service center.
	Restricted air intake	Clean or replace air filter element(s).
	Blown gaskets	Contact a qualified service center.
Compressor pump knocking	Loose motor pulley or pump flywheel	Retighten pulley and flywheel. Check alignment.
	Low oil level in pump crankcase	Keep oil at proper level at all times.
Oil in discharge air	Restricted air intake	Clean or replace the air filter element(s).
	Oil level too high	Reduce to proper level.
Overheating	Poor ventilation	Relocate compressor to an area with cool, dry, well circulated air, at least 12 in. from nearest wall.
	Dirty cooling surfaces	Clean all cooling surfaces thoroughly.
	Restricted air passages	Inspect and replace transfer tubes or the check valve.
Excessive belt wear	Pulley out of alignment	Realign pulley with compressor flywheel.
	Improper belt tension	Readjust.
	Pulley wobbles	Replace the pulley and check for a damaged crankshaft or flywheel.

PARTS DRAWING / DESSIN DES PIÈCES / ESQUEMA DE LAS PIEZAS

PUMP - S040-0469 Specifications	
Weight	Approx. 31 Lbs.
Oil Capacity	11.35 oz / (321 grams)
Lubrication	Use full synthetic, non-detergent air compressor oil.

NOTES:

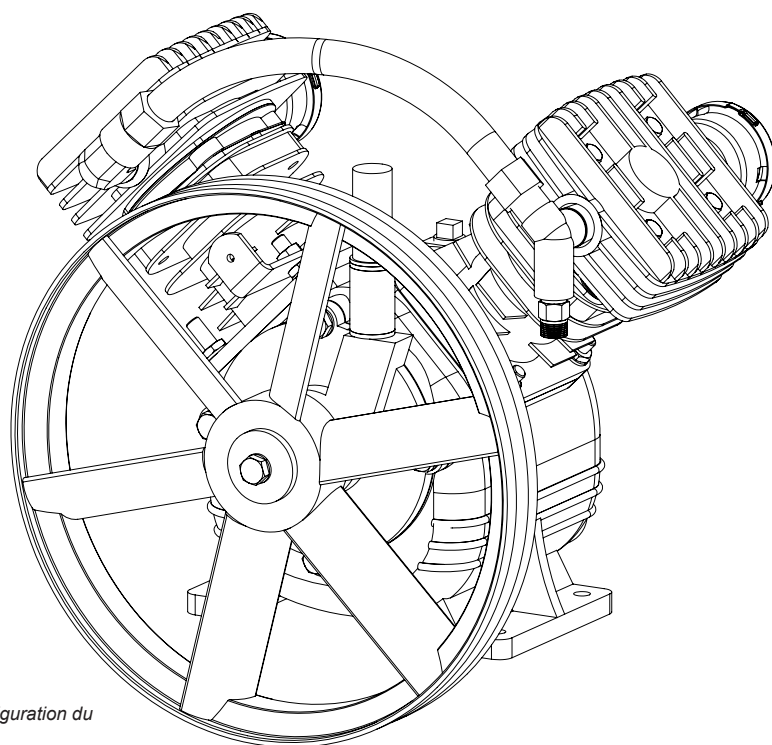
- 1 Torque to 5 lb-ft.
Serrez de 5 lbs-ft.
Torsión hasta 6,8 N•m
- 2 Torque to 8 lb-ft.
Serrez de 8 lbs-ft.
Torsión hasta 10,8 N•m
- 3 Torque to 9-12 lb-ft.
Serrez de 9 À 12 lbs-ft.
Torsión hasta 12,2-16,3 N•m
- 4 Torque to 14-16 lb-ft.
Serrez de 14 À 16 lbs-ft.
Torsión hasta 19-21,7 N•m



PARTS LIST / LISTE DE PIÈCES / LISTA DE LA PIEZAS

Item Article Artículo	Part No Nº / P Núm / P	Qty Qté Cant	Description	Description	Descripción
1	145-0486	1	Tube, with compression nuts	Tube	Tubo
2	065-0107	1	Elbow	Coude	Codo
3	061-0239	8	Socket head cap screw, M6 x 40mm	Vis	Tornillo
4	060-0224	8	Washer, M6	Rondelle	Arandela
5	042-0121	2	Head, cylinder	Tête	Cabezal
6	046-0302	2	Gasket, cylinder head	Gasket, head	Joint, tête Empaquetadura, cabezal
7	043-0207	2	Valve plate assy (includes items 6 & 8)	Ensemble du plaque (includ les articles 6 et 8)	Conjunto de placa (incluye los artículos 6 y 8)
8	046-0303	2	Gasket, cylinder	Joint, cylindre	Empaquetadura, cilindro
9	019-0305	2	Filter assembly (includes item 9A)	Filter (includ les article 9A)	Filtro (incluye los artículo 9A)
9A	019-0328	2	Filter element	Élément filtrant	Elemento filtrante
10	054-0250	2	Ring Set	Jeu d'anneaux	Juego de anillos
11	069-0028	1	Tee fitting	Pièce en t	Te
12	048-0121	2	Piston assembly	Ensemble du piston	Conjunto de pistón
13	047-0099	2	Rod	Tige	Varilla
14	050-0065	2	Cylinder	Cylindre	Cilindro
15	058-0188	8	Nut, Hex M8	Écrou	Tuerca
16	060-0222	13	Lock washer, M8	Rondelle	Arandela
17	059-0420	7	Stud bolt, M8 x 22	Boulon de goujon	Perno del perno prisionero
17a	059-0460	1	Stud bolt, M8 x 35	Boulon de goujon	Perno del perno prisionero
18	046-0304	2	Gasket, crankcase	Joint, carter	Empaquetadura, cárter
19	060-0195	1	Washer, breather	Rondelle	Arandela
20	056-0078	1	Oil fill plug	Bouchon	Tapón
21	032-0072	1	Oil sight glass w/o-ring	Verre de vue de niveau d'huile	Cristal de la vista del nivel de aceite
22	062-0066	1	Oil drain plug	Bouchon	Tapón
23	049-0061	1	Crankcase	Carter	Cárter
24	051-0103	1	Bearing, ball 204	Roulement	Cojinete
25	053-0107	1	Crankshaft	Vilebrequin	Cigüeñal
26	051-0104	1	Bearing, ball 205	Roulement	Cojinete
27	046-0306	1	Oil seal	Joint	Sello
28	046-0364	1	Gasket, front cover	Joint	Empaquetadura
29	045-0059	1	Carrier	Support	Portador
30	059-0415	4	Bolt, M8 x 20	Boulon	Polea
31	044-0082	1	Flywheel, A groove	Volant-moteur, A	Volante, A
32	060-0225	1	Washer, Flat	Rondelle	Arandela
33	059-0416	1	Bolt, M8 x 35	Boulon	Polea
34	056-0079	1	Breather (includes item 19)	Reniffard (includ les article 19)	Respiradero (incluye los artículo 19)
35	146-0026	1	Key not shown	Clé	Chaveta
39	068-0092	1	Connector	Connecteur	Conectador
40	114-0619	1	Bracket	Support	Soporte
Available Service Kits					
36	165-0277	1	Overhaul kit, (includes items 6-8, 9A, 10, 18, 27 and 28)	Jeu de pièces de réparation, (includ les articles 6-8, 9A, 10, 18, 27 et 28)	Juego de acondicionamiento, (incluye los artículos 6-8, 9A, 10, 18, 27 y 28)
37	046-0307	1	Gaskets, complete set (includes items 6, 8, 18, 27 & 28)	Joints, jeu complet (includ les articles 6, 8, 18, 27, et 28)	Juntas, conjunto completo (incluye los artículos 6, 8, 18, 27, y 28)
38	040-0469	1	Pump assembly (includes items 1-35)	Pompe (includ les articles 1-35)	Ensamblaje de la bomba (incluye los artículos 1-35)

Pompe de compresseur à air à cylindre V-Twin en fonte, modèle no 040-0386RP



REMARQUE : Le style et la configuration du produit peuvent varier.

CARACTÉRISTIQUES

Pression de fonctionnement	125-155 psi (8,6 -10,6 bar)
Pression maximale	155 psi (10,6 bar)
Vitesse maximale	1 300 tr/min
Débit d'air nominal	6,2 CFM @ 40 psi (175 L @ 2,75 bar) 5,3 CFM @ 90 psi (150 L @ 6,2 bar)
Diamètre du volant moteur	10,5" (26,6 cm)
Lubrification	Type éclaboussure avec jauge visuelle de niveau d'huile
Puissance de fonctionnement	1,6 HP
Largeur de la courroie en V	Largeur de la courroie en A
Capacité en huile	11,35 oz (335,7 ml).
Disposition du trou de montage	3,54" x 6,77" (8,99 cm x 17,19 cm) (centre à centre)
Diamètre du trou de montage	0,375" (9,52 mm)
Taille de la sortie	Raccord de compression de 3/8" (9,52 mm)

⚠ AVERTISSEMENT: Lire et s'assurer de bien comprendre toutes les consignes de sécurité du présent manuel avant d'utiliser l'outil. Toute dérogation aux instructions contenues dans ce manuel peut entraîner l'annulation de la garantie, causer des blessures et/ou des dommages matériels. Le fabricant **NE SAURA** être tenu responsable de dommages résultant de l'inobservation de ces instructions.

TABLE DES MATIÈRES

CONSIGNES DE SÉCURITÉ.....9-10	ENTRETIEN PÉRIODIQUE..... 12
MONTAGE ET INSTALLATION10-11	DÉPANNAGE..... 13
ENTRETIEN 12	DESSIN DES PIÈCES ET LISTE DE PIÈCES.....6-7

CONSIGNES DE SÉCURITÉ

Les informations suivantes concernent VOTRE SÉCURITÉ et LA PROTECTION DU MATÉRIEL CONTRE LES PANNES. Pour vous aider à identifier la nature de ces informations, nous utilisons les symboles suivants. Veuillez lire le manuel et prêter attention à ces sections.









⚠ DANGER: – DANGER POTENTIEL POUVANT ENTRAÎNER DE GRAVES BLESSURES OU LA MORT.

⚠ AVERTISSEMENT: – DANGER POUVANT CAUSER DES BLESSURES GRAVES VOIRE MORTELLES.










⚠ ATTENTION: – DANGER POUVANT CAUSER DES BLESSURES MOYENNEMENT GRAVES OU L'ENDOMMAGEMENT DE L'APPAREIL.

DIRECTIVES DE SÉCURITÉ IMPORTANTES

⚠ AVERTISSEMENT:

RISQUE D'INCENDIE OU D'EXPLOSION. 	Ne jamais vaporiser de liquides inflammables dans un endroit confiné. Il est normal que le moteur et le manoccontacteur produisent des étincelles lorsqu'ils sont en marche. Si les étincelles entrent en contact avec des vapeurs d'essence ou d'autres solvants, ces dernières peuvent s'enflammer et provoquer ainsi un incendie ou une explosion. Toujours mettre en marche le compresseur dans un endroit bien ventilé. Ne pas fumer lorsque vous vaporisez. Ne pas vaporiser à des endroits où il risque d'y avoir des étincelles ou des flammes nues. Tenir le compresseur aussi loin que possible de la zone vaporisée. Entreposer les matériaux inflammables dans un endroit sécuritaire loin du compresseur. Pourvoir la zone d'utilisation d'un extincteur.
RISQUE D'ÉCLATEMENT. 	Ne pas souder, perforent ou modifier le réservoir d'air d'un compresseur. La résistance du réservoir d'air peut être sévèrement réduite par la soudure ou les modifications, créant ainsi des conditions très dangereuses. Si le réservoir fuit, le remplacer immédiatement par un nouveau réservoir ou encore remplacer l'intégralité du compresseur. Ne pas utiliser un réservoir autre que ceux spécifiquement conçus pour contenir de l'air comprimé et testés en usine qui ont été homologués pour la pression de fonctionnement désirée. Le réservoir doit être doté d'une soupape de sécurité fiable qui est réglée à la pression de fonctionnement du réservoir d'air. Un clapet antiretour doit également être placé sur la conduite entre la pompe et le réservoir.
RISQUE DE CHOC ÉLECTRIQUE. 	Ne jamais utiliser un compresseur électrique à air à l'extérieur lorsqu'il pleut ou sur une surface humide, puisque cela pourrait entraîner une décharge électrique. Omettre de bien mettre à la terre ce produit pourrait entraîner de sérieuses blessures ou un décès par électrocution. S'assurer que le circuit électrique sur lequel le compresseur est branché offre une mise à la terre et une tension appropriées ainsi qu'une protection par fusible adéquate.
RISQUE DE BLESSURE. 	TOUJOURS éteindre le compresseur, le débrancher de la prise et vidanger toute la pression du système avant d'en faire l'entretien lorsqu'il n'est pas utilisé. Ne pas utiliser l'appareil si les épaulements ou la protection de courroie ont été enlevés. Des blessures graves peuvent se produire à la suite d'un contact avec des pièces en mouvement. Demeurer alerte et vigilant lors de l'utilisation du compresseur. Ne pas utiliser le compresseur en état de fatigue ou sous l'influence de médicaments ou de l'alcool.
RISQUE D'ÉCLATEMENT. 	Vérifier la pression limite maximale du fabricant des outils à air et des accessoires. La pression de sortie du compresseur doit être réglée afin de ne jamais excéder la pression limite maximale de l'outil. Enlever toute la pression contenue dans le tuyau avant de fixer ou d'enlever des accessoires. Ne jamais utiliser le compresseur pour gonfler des objets à basse pression comme les jouets d'enfant, les ballons de football, de basketball, etc.
RISQUE DE BRÛLURES. 	Des températures élevées sont générées par la pompe. Afin de prévenir les brûlures et les autres blessures, NE PAS toucher la pompe ou le tuyau de transfert lorsque la pompe est en marche. Les laisser refroidir avant de les manipuler ou de les réparer. Tenir le compresseur éloigné des enfants en tout temps. Ne pas toucher au-delà des épaulements de protection ou essayer de réaliser l'entretien de l'appareil avant qu'il n'ait pu refroidir.
RISQUE RESPIRATOIRE. 	Toujours porter un masque recouvrant le visage qui est conforme aux normes MSHA/NIOSH et travailler dans un endroit bien ventilé lors de l'utilisation d'outils générant de la poussière. Certaines poussières provenant du sablage, de l'affilage, du perçage ou d'autres activités de construction peuvent contenir des produits chimiques reconnus (par l'État de la Californie) comme pouvant provoquer des cancers, des malformations ou d'autres effets néfastes sur la fonction de reproduction. Certains exemples de ces produits chimiques comprennent : <ul style="list-style-type: none"> • du plomb provenant de peintures à base de plomb; • de la silice cristalline provenant des briques, du ciment et des autres produits de maçonnerie; • de l'arsenic et du chrome provenant du bois traité.
RISQUE RESPIRATOIRE. 	S'assurer de lire toutes les étiquettes lorsque vous vaporisez différents types de peintures ou de produits toxiques et suivre toutes les directives de sécurité inscrites sur l'étiquette, ou la fiche signalétique des produits que vous vaporisez. Utiliser un masque respiratoire répondant aux normes MSHA/NIOSH s'il y a un risque d'inhalation lors de la vaporisation. Lire toutes les instructions et s'assurer que votre masque respiratoire vous protège. Travailler dans un endroit disposant d'une bonne ventilation transversale.

DIRECTIVES DE SÉCURITÉ IMPORTANTES


RESQUE DE BLESSURE AUX YEUX. 	Toujours porter des lunettes de sécurité répondant à la norme ANSI Z87.1 lors de l'utilisation d'un compresseur à air. Ne jamais pointer l'embout ou le vaporisateur vers une personne, un animal ou une partie du corps. L'équipement peut provoquer des blessures graves si le vaporisateur transperce la peau.
RISQUE D'ÉCLATEMENT. 	• Ne pas utiliser de tuyaux en plastique ou en PVC pour propulser de l'air comprimé. N'utiliser que des tuyaux et des raccords en acier galvanisé pour propulser l'air comprimé.
RISQUE D'INCENDIE. 	Le fonctionnement sans surveillance de ce compresseur a pu avoir comme conséquence le dommage corporel ou les dégâts matériels. Pour réduire le risque du feu, ne laissez pas le compresseur actionner sans surveillance. Toujours déconnectez le courant électrique en tournant le mano-contact à au loin et vidangez le journal de réservoir ou après chaque utilisation.
RISQUE RESPIRATOIRE. 	L'air obtenu directement du compresseur ne devrait jamais être utilisé pour la consommation humaine. Le jet d'air peut contenir du monoxyde de carbone, des vapeurs toxiques ou des particules solides provenant du réservoir. Respirer ces contaminants peut provoquer des blessures graves ou même la mort. Afin d'utiliser l'air produit par ce compresseur à des fins respiratoires, des filtres adéquats et un équipement de sécurité en série doivent être installés correctement. Les filtres en ligne et l'équipement de sécurité doivent être installés correctement. Les filtres en ligne et l'équipement de sécurité utilisés sur le compresseur doivent être en mesure de traiter l'air selon les normes locales et fédérales applicables avant d'être utilisée pour la consommation humaine.
RISQUE DE BLESSURE. 	Toujours utiliser le compresseur dans une position stable et sécuritaire afin de prévenir les mouvements accidentels de l'appareil. Ne jamais utiliser le compresseur sur une table, un établi, un toit ou sur un autre endroit surélevé. Utiliser le tuyau d'air supplémentaire pour atteindre les endroits surélevés.
 RISQUE AUDITIF.	Porter toujours des protecteurs d'oreilles en utilisant un compresseur d'air. Dans le cas contraire, il y a risque de perte d'audition.
REMARQUE: CÂBLAGE ÉLECTRIQUE.	Pour savoir quelles sont les normes d'intensité et de tension de l'appareil, référez-vous à l'étiquette du numéro de série du compresseur d'air. Veillez à ce que tout le câblage soit effectué par un electricien qualifié conformément au Code National Électrique des E.U.
 	AVERTISSEMENT : CONTIENT DU PLOMB. Peut être nocif s'il est ingéré ou mâché. Peut générer de la poussière contenant du plomb. Se laver les mains après usage. Garder hors de la portée des enfants.
	AVERTISSEMENT : Ce produit pourrait vous exposer à des produits chimiques, y compris Plomb, reconnu par l'État de Californie comme cause de cancer, malformations congénitales ou autres problèmes du système de reproduction. Pour obtenir plus d'information, visitez www.P65Warnings.ca.gov .

ATTENTION:

Le compresseur doit être maintenu à une distance de 12 pouces (31 cm) du mur le plus près dans un endroit bien ventilé afin de permettre une ventilation adéquate pour le refroidissement. Restreindre les ouvertures de ventilation du compresseur pourrait provoquer une surchauffe qui pourrait causer un incendie. Ne jamais laisser d'objets appuyés sur le compresseur ou sur le dessus de celui-ci.

De l'huile peut s'égoutter ou s'échapper des compresseurs lubrifiés à l'huile, ce qui peut provoquer un incendie ou un danger potentiel pour la respiration. Les fuites d'huile peuvent endommager la peinture, la moquette ou les autres surfaces des véhicules ou des remorques. Toujours placer le compresseur sur un tapis protecteur lors du transport afin d'éviter d'endommager le véhicule par des fuites. Retirer le compresseur du véhicule immédiatement lors de l'arrivée à votre destination.

MONTAGE ET INSTALLATION

 AVERTISSEMENT: Une installation effectuée par du personnel non qualifié peut entraîner des blessures graves, voire la mort. Tout remplacement ou installation doit être effectué par du personnel d'un centre de services autorisé.

Cette pompe de compresseur d'air a été conçue pour servir de pompe de rechange sur un système de compresseur d'air déjà existant dont la performance est similaire. L'utilisation de cette pompe de compresseur d'air pour toute fin autre entraînera l'annulation de la garantie de même que la création de conditions de fonctionnement potentiellement dangereuses.

1. Placer le volant moteur sur le vilebrequin et le fixer avec des rondelles et un boulon. Serrer le boulon au couple de 14-16 LB-PI. Vérifier que le volant moteur tourne correctement.

 ATTENTION: Ne pas apposer le volant moteur de force sur le vilebrequin.

2. Placer et monter le compresseur d'air sur la plate-forme.
3. Fixer les filtres à air sur les têtes de pompe.



La pompe de compresseur d'air a été expédiée avec le vilebrequin vide d'huile. L'huile doit être ajoutée avant de faire fonctionner. Faire fonctionner la pompe sans huile entraînera l'annulation de votre garantie.

AVIS : risque de dommage. Utiliser de l'huile à compresseur d'air uniquement. Les huiles à moteur automobiles pour poids multiples de type 10W30 de doivent pas être utilisées dans des compresseurs d'air. Elles entraînent la formation de dépôts de carbone sur des composants importants, ce qui réduit la performance et la durée de vie du compresseur.

REMARQUE : Utilisez une huile complètement synthétique et sans détergent pour compresseur d'air.

REMARQUE : la capacité en huile du vilebrequin est d'environ 11,35 oz liq (335,7 ml) .

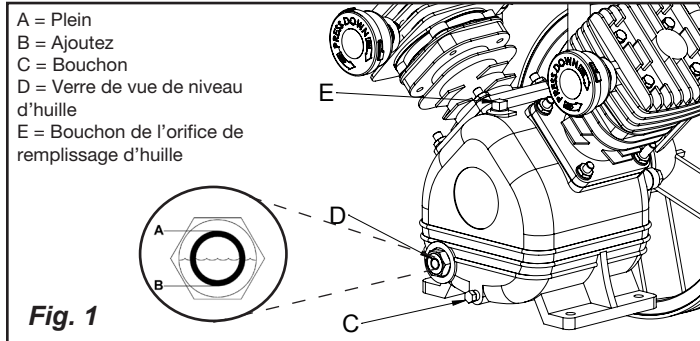
3. Dévissez la fiche d'expédition jaune de la pompe et laissez-la.
4. Lentement ajouter de l'huile dans le compresseur jusqu'à atteindre un niveau entre A et B (environ 11,35 oz liquide (335,7 ml)).
Remarque: l'huile s'écoule très lentement dans la pompe lorsque le vilebrequin se fait remplir. Si l'huile est ajoutée trop rapidement, elle

MONTAGE ET INSTALLATION

déborde et le réservoir semble plein.

5. Vissez la fiche de remplissage d'huile (E) dans la pompe. Il se trouve à l'intérieur du carton.

ATTENTION: Mettre trop d'huile entraîne une défaillance prématurée du compresseur. Ne pas trop remplir.



ATTENTION: La conduite entre le compresseur et le récepteur d'air devrait être plus petite que la sortie du compresseur. Ne pas installer un clapet antiretour entre le compresseur et le récepteur d'air, peu importe les circonstances. Un clapet antiretour doit également être installé entre le compresseur et le récepteur d'air.

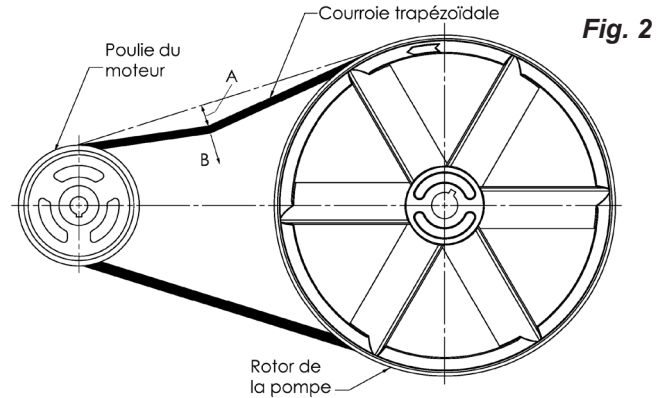
AJUSTEMENT DE LA COURROIE D'ENTRAÎNEMENT

REMARQUE : La tension de la courroie et l'alignement de la poulie se font simultanément. Chaque procédure est décrite séparément par souci de clarté.

AVERTISSEMENT: Arrêtez TOUJOURS le compresseur, débranchez-le de la prise de courant et purgez toute la pression du circuit avant de procéder à l'entretien du compresseur ou lorsque vous ne l'utilisez pas. N'utilisez pas l'appareil sans les protections ou le garde-courroie. Risque de blessures graves en cas de contact avec les pièces en mouvement !

Pour une efficacité d'entraînement et une durée de vie maximales de la courroie, l'alignement de la poulie et la tension de la courroie doivent être maintenus. La tension est correcte en présence d'un fléchissement (A) de 13 mm (1/2") après l'application d'une force (B) de 2,3 kg (5 lb) à mi-distance entre la poulie du moteur et le volant-moteur de la pompe. Ce fléchissement peut être réglé en procédant comme suit. La poulie doit être soigneusement alignée sur le volant-moteur et toutes les vis d'arrêt doivent être serrées.

1. Desserrez les boulons de montage du moteur.
2. Décalez le moteur jusqu'au point où le fléchissement correct est obtenu (A & B).
3. Resserrez les boulons de fixation du moteur avec un couple de 130-180 po-lb.
4. Assurez-vous que la tension reste correcte.
5. Réinstallez le garde-courroie. Toutes les pièces mobiles doivent être protégées.

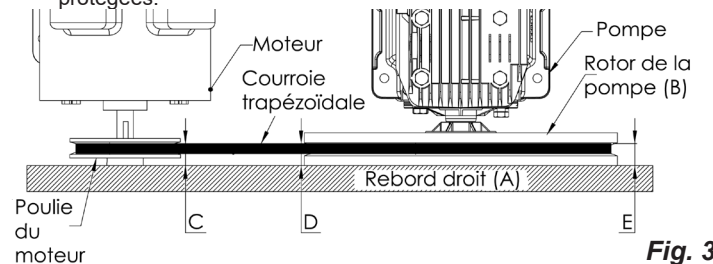


ALIGNEMENT DE LA POULIE

REMARQUE : lorsque la poulie du moteur a été enlevée de son emplacement déterminé à l'usine, les rainures du rotor et de la poulie doivent être alignées à 1/16 po afin d'empêcher une usure excessive de la courroie.

Pour vérifier l'alignement de la poulie, placez une règle (A) contre le volant-moteur du compresseur (B) (voir Fig. 9). Mesurez et notez la distance entre la règle et le bord de la courroie d'entraînement au point C. Mesurez ensuite de nouveau la distance entre la règle et le bord de la courroie d'entraînement aux points D et E. Les deux distances doivent correspondre à la même distance qu'en C. Si D ou E est différent de C, il existe un défaut d'alignement qu'il faut corriger avant de faire fonctionner le compresseur. Pour corriger un défaut d'alignement de la poulie, procédez comme suit :

1. Desserrez les boulons de montage du moteur.
2. Alignez la poulie du moteur sur le volant-moteur de la pompe (C-D-E doit être égal).
3. Réglez correctement la tension de la courroie.
4. Resserrez les boulons de fixation du moteur avec un couple de 130-180 po-lb.
5. Réinstallez le garde-courroie. Toutes les pièces mobiles doivent être protégées.



RODAGE DE LA POMPE

Après l'installation, démarrer l'unité et faire fonctionner la pompe sans charge pendant environ 30 minutes pour la lubrifier et roder les pièces internes.

ENTRETIEN

ENTRETIEN



! WARNING: Arrêtez TOUJOURS le compresseur, débranchez-le de la prise de courant et purgez toute la pression du circuit avant de procéder à l'entretien du compresseur ou lorsque vous ne l'utilisez pas. N'utilisez pas l'appareil sans les protections ou le garde-courroie. Risque de blessures graves en cas de contact avec les pièces en mouvement !

L'entretien régulier de l'appareil permettra d'assurer un fonctionnement sans problèmes. Votre compresseur d'air électrique est un appareil de haute qualité ; toutefois, même les machines de haute qualité nécessitent un entretien périodique. Les composants énumérés ci-dessous doivent être inspectés régulièrement.

VÉRIFICATION DU NIVEAU D'HUILE

Vérifiez le viseur pour vous assurer que le niveau d'huile de la pompe est conforme au niveau requis. Le niveau d'huile dans la pompe doit être situé entre les marques A et B. Ne remplissez pas de manière excessive ni insuffisante.

REMARQUE: Utilisez une huile complètement synthétique et sans détergent pour compresseur d'air.

VIDANGE D'HUILE

Déposez le bouchon (voir C) de l'orifice de vidange d'huile et vidangez l'huile jusqu'à ce que l'écoulement ralentisse et que l'huile ne fasse que s'égoutter. Dévisser le bouchon de remplissage de l'huile (E) et ajouter de l'huile à compresseur (approx. 11.35 oz.) jusqu'à ce que le niveau se situe entre plein (full) (A) et ajouter (add) (B). Replacer le bouchon de remplissage de l'huile. Ne remplissez jamais au-dessus du niveau ou underfill la pompe.

REMARQUE: Utilisez une huile complètement synthétique et sans détergent pour compresseur d'air.

A = Plein
B = Ajoutez
C = Bouchon
D = Verre de vue de niveau d'huile
E = Bouchon de l'orifice de remplissage d'huile

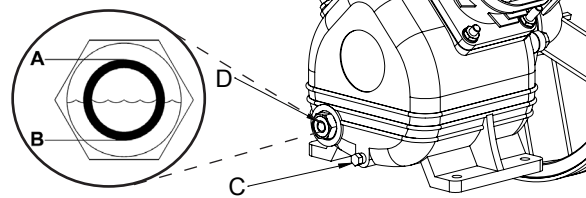


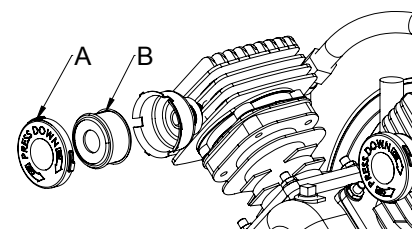
Fig. 4

NETTOYAGE DU FILTRES À AIR

Un filtre à air sale réduira les performances et la durée de vie du compresseur. Pour éviter toute contamination interne de la pompe, le filtre doit être nettoyé fréquemment et remplacé régulièrement. Les filtres en papier doivent être remplacés quand ils sont sales. Il ne faut pas que les filtres soient remplis de saletés ou de peinture. Si le filtre se remplit de peinture, remplacez-le. Votre garantie sera annulée si l'appareil est directement exposé à des saletés et de la peinture.

Fig. 5

A = Couverture(s)
B = Élément du filtre(s)



ENTRETIEN PÉRIODIQUE

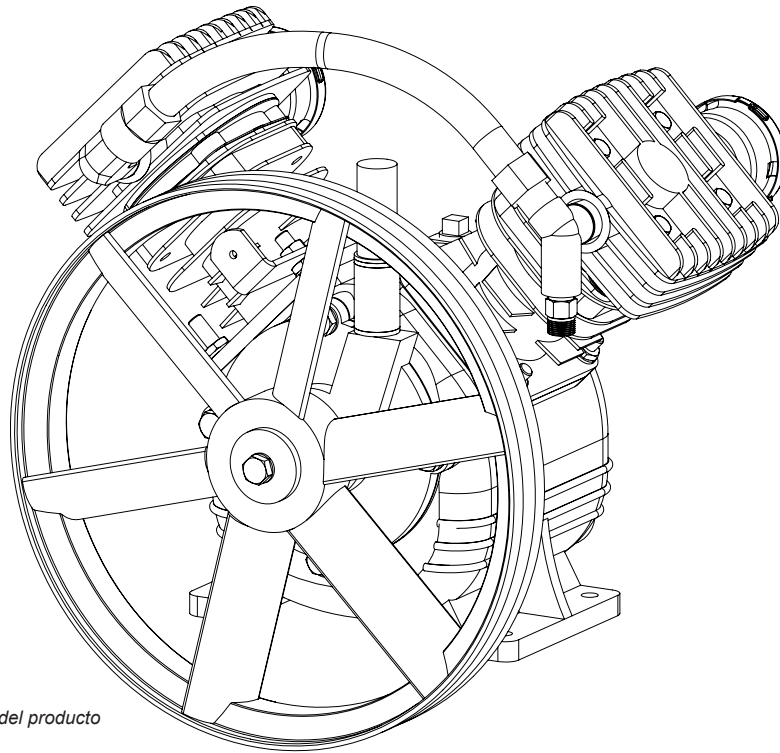
Effectuez l'entretien suivant aux intervalles indiqués ci-dessous.	Quotidiennement ou après chaque utilisation	Toutes les 100 heures de fonctionnement	Après les premières 8 heures et toutes les 100 heures de fonctionnement
Inspecter le filtres à air (le nettoyer ou le remplacer au besoin)	●		
Vérifiez le niveau d'huile de la pompe	●		
Changez l'huile de la pompe (<i>Utilisez une huile complètement synthétique et sans détergent pour compresseur d'air.</i>)		●	
Vérifiez la tension de la courroie		●	
Vérifiez et serrez tous les boulons (<i>Ne les serrez pas trop</i>)			●

DÉPANNAGE

Remarque : Les problèmes de dépannage peuvent avoir des causes et des solutions similaires.

PROBLÈME	CAUSE POSSIBLE	SOLUTION
Le prélèvement excessif de courant cause le déclenchement du disjoncteur ou de l'interrupteur de remise en marche du moteur	Tension insuffisante/surcharge du moteur	Vérifiez que l'alimentation est adéquate et que le compresseur est branché sur un circuit séparé. Vérifiez que le compresseur est branché sur son propre circuit.
	La tension de la courroie d'entraînement est trop tendue	Réajustez la tension de la courroie.
	Passages d'air colmatés	Inspecter et remplacer les tuyaux de transfert ou le clapet de non-retour.
Le compresseur cale	Tension insuffisante vers le moteur	Fournissez une puissance adéquate.
Pression de décharge insuffisante	Fuites d'air	Serrez ou remplacez les raccords ou les connexions qui ne sont pas étanches. Ne serrez pas trop.
	Fuites des soupapes	Communiquer avec centre de service qualifié.
	Admission d'air colmatée	Nettoyez ou remplacez le ou les élément(s) du filtre à air.
	Joints éclatés	Communiquer avec centre de service qualifié.
Cognement de la pompe	Poulie du moteur ou volant-moteur desserré	Resserrez la poulie et le volant-moteur. Vérifiez l'alignement.
	Niveau d'huile trop bas dans le carter de la pompe	Maintenez le niveau d'huile jusqu'au repère maximum en permanence.
	Usure des segments de piston ou du cylindre	Communiquer avec centre de service qualifié.
Huile dans l'air évacué	Admission d'air colmatée	Nettoyez ou remplacez le ou les élément(s) du filtre à air.
	Niveau d'huile trop élevé	Ramenez au niveau correct.
Surchauffe	Mauvaise aération	Placez le compresseur dans un endroit frais, sec et bien aéré, à une distance de 30 cm (12 po.) du mur le plus proche.
	Surfaces de refroidissement sales	Nettoyez entièrement toutes les surfaces de refroidissement.
	Passages d'air colmatés	Inspecter et remplacer les tuyaux de transfert ou le clapet de non-retour.
Usure excessive de la courroie	Défaut d'alignement de la poulie	Réalignez la poulie sur le volant-moteur du compresseur.
	Tension de courroie incorrecte	Réajustez.
	Oscillation de la poulie	Remplacez la poulie et vérifiez que le vilebrequin ou le volant-moteur n'est pas endommagé.

Bomba compresora de aire con dos cilindros en V de hierro moldeado modelo # 040-0386RP



NOTA: El estilo y la configuración del producto puede variar.

ESPECIFICACIONES

Presión de operación	125-155 psi (8,6 -10,6 bares)
Presión máxima	155 psi (10,6 bares)
Velocidad máxima	1300 rpm
Emisión de aire nominal	6,2 CFM a 40 psi (175 l a 2,75 bares) 5,3 CFM a 90 psi (150 l a 6,2 bares)
Diámetro del volante	10,5" (26,6 cm)
Lubricación	Tipo salpicado con mirilla de nivel de aceite
Caballos de fuerza de funcionamiento	1,6
Anchura de la correa en V	Anchura A
Capacidad de aceite	11,35 onzas (335,7 ml)
Configuración de orificios de montaje	3,54" x 6,77" (8,99 cm x 17,19 cm) (de centro a centro)
Diámetro de orificios de montaje	0,375" (9,52 mm)
Dimensión de salida	Adaptador de compresión de 3/8" (9,52 mm)

⚠ ADVERTENCIA: Lea y comprenda todas las precauciones de seguridad contenidas en este manual antes de utilizar esta herramienta. El no cumplir con las instrucciones de este manual podría dar como resultado la anulación de su garantía, lesiones personales y/o daños a la propiedad. El fabricante **NO SERA** responsable de cualquier daño debido a no acatar estas instrucciones.

ÍNDICE

PAUTAS DE SEGURIDAD..... 15-16	INTERVALOS DE SERVICIO..... 18
MONTAJE E INSTALACIÓN..... 16-17	CUADRO DE DETECCIÓN DE FALLOS..... 19
MANTENIMIENTO..... 18	ESQUEMA DE LAS PIEZAS Y LISTA DE PIEZAS..... 6-7

PAUTAS DE SEGURIDAD

La información que sigue se refiere a la protección de SU SEGURIDAD y la PREVENCIÓN DE PROBLEMAS DEL EQUIPO. Como ayuda para reconocer esta información, usamos los siguientes símbolos. Lea por favor el manual y preste atención a estas secciones.










- PELIGRO:** - RIESGO POTENCIAL DE LESIONES GRAVES O LA PÉRDIDA DE VIDA.
- ADVERTENCIA:** - RIESGO POTENCIAL DE LESIONES GRAVES O PÉRDIDA DE LA VIDA.
- PRECAUCIÓN:** - RIESGO POTENCIAL DE LESIONES LEVES O DAÑOS EN EL EQUIPO.

INSTRUCCIONES DE SEGURIDAD IMPORTANTES

ADVERTENCIA:

RIESGO DE INCENDIO O EXPLOSIÓN. 	<p>Nunca rocíe líquidos inflamables dentro de un área cerrada. Durante el funcionamiento, es normal que se produzcan chispas tanto en el motor como en el interruptor de presión. Si las chispas entran en contacto con vapores de gasolina u otros disolventes, se podría producir un incendio o una explosión. Utilice siempre el compresor en un área bien ventilada. No fume mientras rocía. No rocíe donde pueda haber chispas o llamas. Mantenga el compresor tan alejado como sea posible del área donde vaya a utilizar el pulverizador. Almacene los materiales inflamables en un lugar seguro y alejado del compresor. Tenga un extintor en el área de operaciones.</p>
RIESGO DE EXPLOSIÓN. 	<p>No soldar, taladrar o modificar el tanque de aire de un compresor. Las soldaduras o modificaciones del tanque del compresor de aire pueden deteriorar severamente la resistencia del tanque y crear condiciones extremadamente peligrosas. Si el tanque tiene una fuga, reemplácelo de inmediato con un tanque nuevo o sustituya todo el compresor. No utilice otros tanques que no estén fabricados especialmente para aire comprimido y probados y aprobados en la fábrica para la presión operativa deseada. El tanque debe estar equipado con una válvula de seguridad en buenas condiciones configurada para la presión de trabajo del tanque de aire. Se debe instalar una válvula de retención en línea entre la bomba y el tanque.</p>
RIESGO DE DESCARGA ELÉCTRICA. 	<p>Nunca utilice un compresor eléctrico de aire en el exterior cuando esté lloviendo o sobre una superficie mojada, ya que se podría producir una descarga eléctrica. Si no se proporciona una toma a tierra adecuada a este producto, se podrían producir lesiones graves o muerte por electrocución. Asegúrese de que el circuito eléctrico al que se conecte este compresor tenga una adecuada toma a tierra, un voltaje correcto y una protección con fusibles satisfactoria.</p>
RIESGO DE LESIONES. 	<p>SIEMPRE apague el compresor, desconéctelo y purgue toda la presión del sistema antes de reparar el compresor y también cuando el compresor no se esté utilizando. No utilice la unidad si se le han retirado las cubiertas o el protector de la correa. Existe riesgo de lesión grave por contacto con partes móviles. Cuando utilice el compresor, esté alerta y atento a lo que hace. No utilice el compresor si está cansado o bajo la influencia de medicamentos o alcohol.</p>
RIESGO DE EXPLOSIÓN. 	<p>Compruebe la máxima presión permitida por los fabricantes de herramientas y accesorios. Se debe regular la salida de presión del compresor para que no se exceda la máxima presión permitida por la herramienta o accesorio. Purgue todo el aire antes de retirar o ajustar los accesorios. Nunca utilice el compresor para inflar objetos pequeños de baja presión como juguetes, balones, pelotas, etcétera.</p>
RIESGO DE QUEMADURAS. 	<p>La bomba pueden alcanzar altas temperaturas. Para evitar quemaduras u otras lesiones, NO toque la bomba, ni la manguera de transferencia mientras la bomba esté en funcionamiento. Espere a que se enfrien antes de manipularlos o repararlos. No deje que los niños se acerquen al compresor en ningún momento. No intente acceder a la parte posterior de las cubiertas protectoras ni reparar la unidad hasta que esta se haya enfriado.</p>
RIESGO Y PELIGRO DE INHALACIÓN. 	<p>Cuando utilice herramientas que generen polvo, use siempre máscaras o respiradores ajustados y aprobados por la Administración de Minas, Seguridad y Salud (Mine Safety and Health Administration, MSHA) o el Instituto Nacional para la Seguridad y Salud Ocupacional (National Institute for Occupational Safety and Health, NIOSH) de los EE. UU., y trabaje en áreas bien ventiladas. El polvo que se genera al lijar, triturar, perforar o al realizar otras actividades de construcción puede contener productos químicos que, según el estado de California, causan cáncer, malformaciones de nacimiento u otros daños al sistema reproductor. Algunos ejemplos de estos productos químicos son:</p> <ul style="list-style-type: none"> • Plomo procedente de pinturas con plomo • Sílice cristalina procedente de ladrillos, cemento y otros productos de albañilería • Arsénico y cromo procedentes de madera tratada con productos químicos
RIESGO PARA LA RESPIRACIÓN. 	<p>Asegúrese de leer todas las etiquetas cuando esté pulverizando pintura o materiales tóxicos, y siga todas las instrucciones de seguridad que se proporcionen en la etiqueta o las hojas de seguridad de los materiales que esté utilizando. Utilice máscaras de respiración aprobadas por la MSHA/el NIOSH si existe riesgo de inhalación de vahos de la sustancia que esté pulverizando. Lea todas las instrucciones y asegúrese de que la máscara de respiración le proteja. Trabaje en áreas con buena ventilación.</p>

INSTRUCCIONES DE SEGURIDAD IMPORTANTES

 RIESGO DE LESIONES OCULARES.	Utilice siempre gafas protectoras que cumplan la norma ANSI Z87.1 cuando utilice un compresor de aire. No apunte nunca con un difusor o pulverizador a una persona o a un animal ni a ninguna parte del cuerpo. Si la sustancia pulverizada penetra en la piel se pueden producir lesiones graves.
 RIESGO DE EXPLOSION.	*No utilice mangueras de plástico o pvc para aire comprimido. Use solo mangueras y conectores de acero galvanizado para líneas de distribución de aire comprimido.
 RIESGO DE INCENDIO.	Dejar el compresor en funcionamiento sin vigilancia puede causar lesiones personales o daños materiales. Para reducir el riesgo de incendio, no permita que el compresor funcione sin vigilancia. Después de cada uso, desconecte siempre la corriente eléctrica colocando el interruptor en la posición OFF y purgue todo el aire del depósito.
 RIESGO PARA LA RESPIRACIÓN.	El aire obtenido directamente del compresor no se debe utilizar nunca como suministro para consumo humano. El flujo de aire puede contener monóxido de carbono, vapores tóxicos o partículas sólidas del depósito. Respirar este aire puede causar lesiones graves o la muerte. Si se desea utilizar el aire producido por el compresor para respirar, deben instalarse filtros adecuados y equipos de seguridad en línea. Se deben instalar adecuadamente los filtros y equipos de seguridad en línea. Los filtros y equipos de seguridad en línea utilizados junto con el compresor deben ser capaces de tratar el aire para que cumpla con los códigos locales y nacionales pertinentes antes de que sea usado para consumo humano.
 RIESGO DE LESIONES.	Para su utilización, sitúe siempre el compresor en una posición segura y estable a fin de prevenir movimientos accidentales de la unidad. Nunca utilice el compresor encima de una mesa, un banco de trabajo, un tejado u otra posición elevada. Si necesita alcanzar lugares altos, utilice una manguera de aire adicional.
 RIESGO PARA EL OÍDO.	Utilice siempre protectores auditivos cuando trabaje con un compresor de aire. Si no lo hace, podría sufrir pérdida de audición.
NOTA: CABLEADO ELECTRICO.	Consulte el rótulo del número de serie del compresor de aire para conocer los requerimientos de voltaje y amperaje de la unidad. Cerciórese de que un electricista cualificado instala todo el cableado, de conformidad con el Código Eléctrico Nacional.
 	ADVERTENCIA: CONTIENE PLOMO. Puede ser dañino si se ingiere o se mastica. Puede generar polvo que contenga plomo. Lávese las manos después del uso. Manténgalo fuera del alcance de los niños.
	ADVERTENCIA: Este producto le podría exponer a productos químicos incluyendo Plomo, reconocido por el Estado de California como causante de cáncer, defectos de nacimiento u otros daños del sistema reproductivo. Para obtener más información, visite www.P65Warnings.ca.gov .

PRECAUCIÓN:

Para que la unidad disponga de ventilación suficiente para enfriarse, se debe mantener el compresor en un área bien ventilada a un mínimo de 31 cm de la pared más cercana. Obstruir cualquiera de las aberturas del compresor causará un sobrecalentamiento y podría originar un incendio; no apoye ningún objeto contra el compresor ni encima de él.


En compresores lubricados con aceite, el aceite puede gotear o derramarse y ocasionar un peligro de incendio o causar problemas de respiración. El goteo de aceite podría dañar la pintura, las alfombrillas u otras superficies de vehículos o remolques. Deposite el compresor siempre sobre una alfombrilla protectora cuando lo transporte para evitar daños al vehículo causados por goteo de aceite. Cuando llegue a su destino, retire inmediatamente el compresor del vehículo.

MONTAJE E INSTALACIÓN


 ADVERTENCIA: La instalación incorrecta por personal no calificado puede resultar en lesiones graves o fatales. El reemplazo y la instalación deben estar a cargo de personal del centro de servicio autorizado.

Esta bomba compresora de aire está prevista para usar como bomba de reemplazo de un sistema compresor de aire existente, de prestaciones similares. La utilización de esta bomba compresora de aire en aplicaciones alternativas anulará la garantía y puede crear condiciones de funcionamiento inseguras.

1. Coloque el volante en el cigüeñal e inmovilícelo con arandelas y un tornillo. Aplique al tornillo un par de apriete de 14-16 libras por pie. Asegúrese de que el volante gire libremente.

 PRECAUCIÓN: No fuerce el volante en el cigüeñal.

2. Coloque e instale el compresor de aire en la plataforma.
3. Conecte los filtros de aire a los cabezales de la bomba.

 **¡ALTO!** Esta bomba compresora de aire se envió sin aceite en el cigüeñal. Debe agregar aceite antes de ponerla en marcha. El funcionamiento de la bomba sin aceite anulará la

garantía.

AVISO: Riesgo de daño material. Utilice solo aceite para compresores de aire. No debe emplear aceites multigrado para motores de automóviles, como 10W30, en compresores de aire. Dejan restos de carbono en componentes cruciales y, de este modo, reducen el rendimiento y la duración de los compresores.

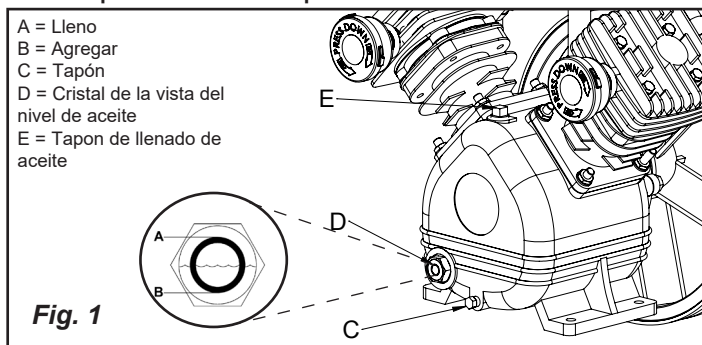
NOTA: Utilice un aceite completamente sintético y sin detergente para compresor de aire.

NOTA: La capacidad de aceite del cigüeñal es de aproximadamente 11,35 onzas líquidas (335,7 ml).

3. Desatornille el tapón de transporte amarillo de la bomba y deséchelo.
4. Despacio vierta lentamente aceite para compresores hasta un nivel entre A y B [aproximadamente 11,35 onzas (335,7 ml)]. Nota: Cuando llena el caja del cigüeñal, el aceite ingresa muy lentamente en la bomba. Si agrega aceite con demasiada rapidez, desbordará y parecerá lleno.
5. Enrosque el tapón de llenado de aceite (E) en la bomba. Se encuentra dentro del cartón.

MONTAJE E INSTALACIÓN

PRECAUCIÓN: El llenado con aceite en exceso causará defectos prematuros del compresor. No lo llene excesivamente.



PRECAUCIÓN: La tubería entre el compresor y el depósito de aire comprimido no debe ser más pequeña que la salida del compresor. En ninguna circunstancia instale ningún tipo de válvula de cierre entre el compresor y el depósito de aire comprimido. Se debe instalar una válvula de retención entre el compresor y el depósito de aire comprimido.

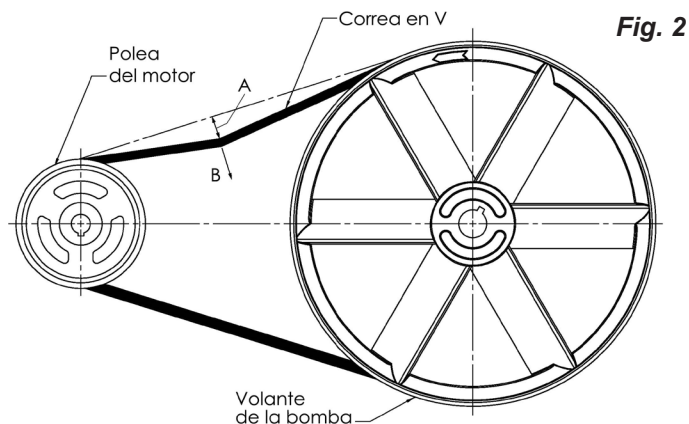
AJUSTE DE LA TENSIÓN DE LA CORREA DE TRANSMISIÓN

NOTA: El ajuste de la tensión de la correa de transmisión y la alineación de la polea se realizan al mismo tiempo. Se explican por separado para mayor claridad.

ADVERTENCIA: SIEMPRE apague el compresor, quite el enchufe de la toma de corriente, y purgue toda la presión del sistema antes de realizar operaciones de mantenimiento en el compresor y cuando el compresor no esté en uso. No utilice la unidad sin las cubiertas o sin el protector de la correa, ya que podría sufrir lesiones por contacto con las piezas móviles.

Debe mantenerse la tensión correcta de la correa y la alineación adecuada de la polea para obtener una máxima eficiencia de accionamiento y vida útil de dicha correa. La tensión es correcta si la deflexión es (vea **A**) de 13 mm (1/2") al colocar 2,3 kg (5 lb) de fuerza (vea **B**) en un punto intermedio entre la polea del motor y el volante del compresor (**Fig. 8**). Esta deflexión puede ajustarse mediante el procedimiento siguiente. La polea debe alinearse cuidadosamente con el volante y todos los tornillos de fijación deben mantenerse ajustados.

1. Afloje los pernos de montaje del motor.
2. Desplace el motor hasta el punto en el cual exista la deflexión correcta (A y B).
3. Vuelva a apretar los pernos de montaje del motor hasta una torsión de 14,7-20,3 N-m (130-180 pulg-lb).
4. Verifique para asegurarse de que la tensión sigue siendo la correcta.
5. Vuelva a instalar el protector de la correa. Todas las piezas móviles deben estar protegidas.



ALINEACIÓN DE LA POLEA

NOTA: Una vez que la polea del motor ha sido movida de su posición de fábrica, las ranuras del volante y la polea deben alinearse hasta un margen de 1/16 pulgadas (1,6 mm) para evitar un desgaste excesivo de la correa.

Para verificar la alineación de la polea, retire el protector de la correa y coloque una regla (vea **A**) contra el volante de la bomba (vea **B**) (**Fig. 9**). Mida y registre la distancia desde la regla al borde de la correa de transmisión en el punto C. Luego mida de nuevo la distancia desde la regla al borde de la correa de transmisión en los puntos D y E. Ambas distancias deben ser iguales a la del punto C. Si D o E resultan distintas de C, existe una mala alineación que debe ser corregida antes de hacer funcionar el compresor. Para corregir una mala alineación de la polea, aplique el procedimiento siguiente.

1. Afloje los pernos de montaje del motor.
2. Alinee la polea del motor con el volante de la bomba (**C = D = E**).
3. Ajuste la tensión correcta de la correa.
4. Vuelva a ajustar los pernos de montaje del motor.
5. Vuelva a instalar el protector de la correa. Todas las piezas móviles deben quedar protegidas.

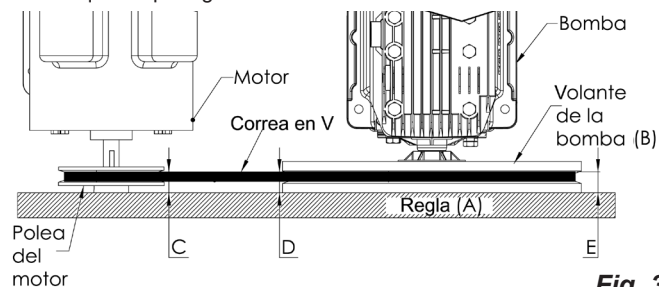


Fig. 3

PUESTA EN MARCHA INICIAL DE LA BOMBA

Después de finalizar la instalación, ponga en marcha la unidad y haga funcionar la bomba sin carga durante 30 minutos para lubricar y asentar las piezas internas.

MANTENIMIENTO

MANTENIMIENTO



ADVERTENCIA: SIEMPRE apague el compresor, quite el enchufe de la toma de corriente, y purgue toda la presión del sistema antes de realizar operaciones de mantenimiento en el compresor y cuando el compresor no esté en uso. No utilice la unidad sin las cubiertas o sin el protector de la correa, ya que podría sufrir lesiones por contacto con las piezas móviles.

El mantenimiento regular asegurará una operación sin problemas. Su compresor de aire con alimentación eléctrica representa lo mejor en ingeniería y construcción; sin embargo, incluso la maquinaria de alta calidad requiere un mantenimiento periódico. Los elementos enumerados a continuación deben inspeccionarse de manera regular.

VERIFICACIÓN DEL NIVEL DE ACEITE

Verifique el nivel de aceite en cada bomba con la mirilla. El nivel de aceite de la bomba debe estar en la marca correspondiente a "lleno" de la mirilla (vea A y B). La bomba no puede llenarse nunca por defecto ni por exceso.

NOTA: Utilice un aceite completamente sintético y sin detergente para compresor de aire.

CAMBIO DE ACEITE

Quite el tapón (C) del aceite y deje que salga hasta gotear, luego vuelva a poner el tapón. Desenrosque el tapón de llenado de aceite (E) y añada aceite para compresor (approx. 11.35 oz.) hasta que el nivel se encuentre entre (A) Lleno y Agregar (B). Coloque de nuevo el tapón. La bomba no puede llenarse nunca por defecto ni por exceso.

NOTA: Utilice un aceite completamente sintético y sin detergente para compresor de aire.

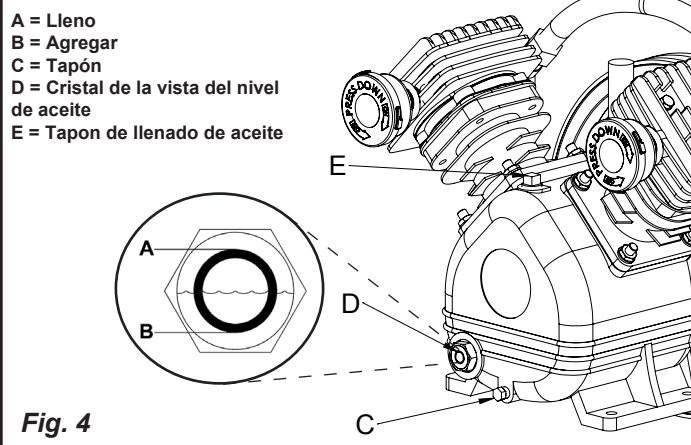


Fig. 4

LIMPIEZA DEL FILTRO DE AIRE

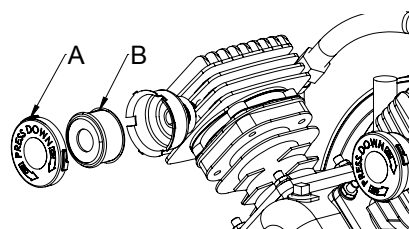
Un filtro de aire sucio reducirá el rendimiento y la vida útil del compresor.

Para evitar cualquier contaminación interna de la bomba del compresor, el filtro debe limpiarse frecuentemente y reemplazarse de manera regular. Los filtros de papel

deberán sustituirse cuando estén sucios. No permita que los filtros se llenen de suciedad ni pintura. Si el filtro se llena de pintura, deberá reemplazarse. La exposición directa a condiciones de suciedad y zonas en las que estén pintando anulará su garantía.

Fig. 5

A = Tapa(s)
B = Elemento de filtro(s)



INTERVALOS DE SERVICIO

Realice el mantenimiento siguiente a los intervalos indicados a continuación.	Todos los días o después de cada uso	Cada 100 horas de operación	Después de las primeras 8 horas y cada 100 horas de operación
Revise el filtros de aire (límpiolo o cámbielo según sea necesario)	•		
Verificación del nivel de aceite en la bomba	•		
Cambio del aceite de la bomba (<i>Utilice un aceite completamente sintético y sin detergente para compresor de aire.</i>)		•	
Verificación de la tensión de las correas		•	
Verificación y ajuste de todos los pernos (<i>no ajuste en exceso</i>)			•

CUADRO DE DETECCIÓN DE FALLOS

Nota: Los problemas de detección de fallos pueden tener causas y soluciones similares.

PROBLEMA	CAUSA POSIBLE	SOLUCION
Consumo excesivo de la corriente hace saltar el cortacircuito o el interruptor de restablecimiento del motor	Voltaje bajo/sobrecarga del motor	Verifique que el suministro de energía sea el adecuado y que el compresor se encuentre conectado en un circuito dedicado.
	Demasiada tensión en la correa de transmisión	Vuelva a ajustar la tensión de la correa.
	Conductos de aire restringidos	Revise y cambie las mangueras de transferencia o la válvula de retención.
Se detiene el compresor	Bajo voltaje al motor	Suministre la potencia adecuada.
Baja presión de descarga	Fugas de aire	Ajuste o reemplace los accesorios o las conexiones con fugas. No a priete en exceso.
	Válvulas con fugas	Póngase en contacto con centro de servicio cualificado.
	Entrada de aire restringida	Limpie o reemplace los elementos del filtro de aire.
	Juntas salidas	Póngase en contacto con centro de servicio cualificado.
Golpeteo de la bomba del compresor	Polea del motor o volante del compresor suelto	Vuelva a ajustar la polea y el volante. Verifique la alineación.
	Bajo nivel de aceite en el cárter de la bomba	Mantenga en todo momento el nivel de aceite adecuado.
Aceite en el aire de descarga	Entrada de aire restringida	Limpie o reemplace los elementos del filtro.
	Nivel de aceite demasiado alto	Reduzca al nivel adecuado.
Sobrecalentamiento	Mala ventilación	Vuelva a ubicar el compresor en una zona con aire fresco, seco y con buena circulación, por lo menos a 30 cm (12") de la pared más cercana.
	Superficies de refrigeración sucias	Limpie muy bien todas las superficies de enfriamiento.
	Conductos de aire restringidos	Revise y cambie las mangueras de transferencia o la válvula de retención (ver "Para cambiar o limpiar la válvula de retención" en la sección de Mantenimiento).
Desgaste excesivo de la correa	La polea está desalineada	Vuelva a alinear la polea con el volante del compresor.
	Mala tensión de la correa	Vuelva a ajustar.
	La polea se bambolea	Reemplace la polea y verifique si el eje o el volante está dañado.

Sanborn Mfg.
Division of MAT Industries, LLC.
118 West Rock Street
Springfield, MN 56087

Fax 1-507-723-5013



1-888-895-4549

www.powermate.com

Manufactured in China for / Fabriqué à China pour / Fabricado en China para
MAT Industries, LLC, Long Grove, IL 60047

©2014, 2015, 2016, 2017, 2018, 2019, 2020 Sanborn Mfg.
All Rights Reserved. Tous droits réservés. Reservados todos los derechos.