

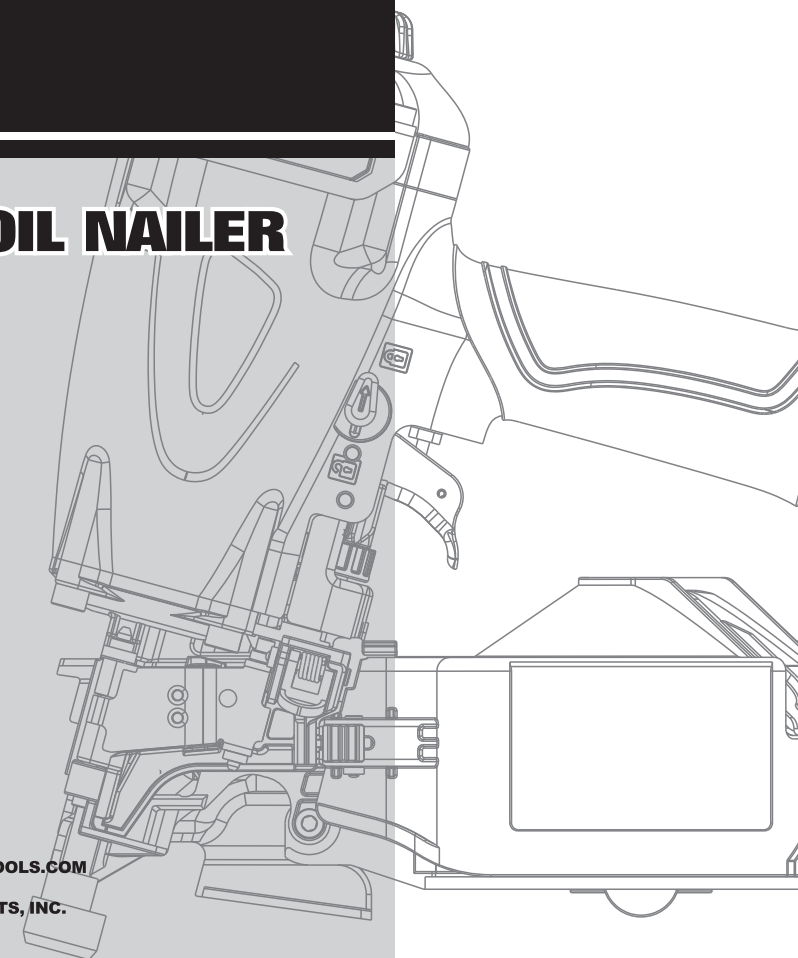
# FREEMAN

- [HTTP://WWW.FREEMANTOOLS.COM](http://www.freemantools.com)
- 1-888-669-5672
- PRIME GLOBAL PRODUCTS, INC.

# FREEMAN

**MODEL: PCN50**

## 2" COIL NAILER



- [HTTP://WWW.FREEMANTOOLS.COM](http://www.freemantools.com)
- 1-888-669-5672
- PRIME GLOBAL PRODUCTS, INC.



### **WARNING:**

Failure to follow warnings could result in DEATH OR SERIOUS INJURY.

**SAVE THIS MANUAL FOR FUTURE REFERENCE**

GENERAL SAFETY RULES	P3
UNPACKING	P6
FEATURES	P6
OPERATION	
ADJUSTING THE EXHAUST	P7
ADJUSTING THE OFFSET MAGAZINE	P7
LOADING FASTNERS	P7
REMOVING THE FASTENERS	P8
FIRING LOCK	P9
SETTING THE AIR PRESSURE	P9
DEPTH ADJUSTMENT	P9
FIRING THE TOOL	P9
CLEARING JAMS	P10
NON-MARRING PAD	P10
MAINTENANCE	P10
RECOMMENDED HOOKUP	P11
TROUBLESHOOTING	P12
WEARING PARTS	P12
WARRANTIES	P13

**WARNING:**

The warnings and precautions discussed in the manual cannot cover all possible conditions and situations that may occur. It must be understood by the user that common sense and caution are factors which cannot be built into this product, but must be supplied by the user.

**SAVE THIS MANUAL**

- Keep this manual for the safety warnings, precautions, operations, inspections and maintenance. Keep this manual and the receipt in a safe and dry place for future reference.

**WARNING:**

To avoid serious personal injury, do not attempt to use this product until you read the manual thoroughly and understand it completely. Save this manual and review frequently for continuing safe operation and instructing others who may use this tool.

**SYMBOLS**

- In this manual, on the labels, packages and all other information provided with this tool. The following signal words and meanings are intended to explain the levels of risk associated with this tool.

SYMBOLS	SIGNAL	MEANING
	WARNING:	Indicates a potentially hazardous situation, which, if not avoided, could result in death or serious injury.
	CAUTION:	Indicates a potentially hazardous situation, which, if not avoided, may result in minor or moderate injury.
	CAUTION:	(Without symbol) Indicates a situation that may result in property damage.

**GENERAL SAFETY RULES**

INSTRUCTIONS PERTAINING TO A RISK OF FIRE, ELECTRIC SHOCK, OR INJURY TO PERSONS.

**WARNING:**  
When using tools, basic precautions should always be followed, including the following:

**CALIFORNIA PROPOSITION 65**

**WARNING:**  
This product or its power cord may contain chemicals known to the State of California to cause cancer and birth defects or other reproductive harm. Wash hands after handling.

**WORK AREA**

- **Keep the work area clean and well lighted.** Cluttered benches and dark areas increase the risks of accidents.
- **Do not operate the tool in explosive atmospheres, such as in the presence of flammable liquids, gases, or dust.** The tool creates a spark which may ignite flammable liquids, gases or dust.
- **Keep bystanders, children, and others away while operating the tool.** Distractions could result in improper use and cause injury.
- **Avoid unintentional misfires.** Always use caution to avoid accidentally firing. Do not point towards yourself or anyone whether it contains fasteners or not.

**PERSONAL SAFETY**

- **Do not nail on top of another nail.** This is able to cause the nail to be deflected and hit someone, or cause the tool to react and result in a risk of injury to persons.
- **Remove finger from the trigger when not driving fasteners.** Never carry the tool with finger on trigger, the tool is able to fire a fastener.
- **Always wear eye protection.** Operator and others in the work area should always wear ANSI-approved safety goggles with side shields. Eye protection is used to guard against flying fasteners and debris, which may cause severe eye injury.
- **Always wear hearing protection when using the tool.** Prolonged exposure to high intensity noise may cause hearing loss.
- **Use safety equipment.** A dust mask, non-skid safety shoes and a hard hat must be used for the applicable conditions. Wear a full face shield if you are producing metal filings or wood chips.
- **Dress properly. Do not wear loose clothing or jewelry.** Contain long hair. Keep your hair, clothing, and gloves away from moving parts. Loose clothes, jewelry, or long hair can be caught in moving parts.
- **Stay alert, watch what you are doing and use common sense when operating a power tool.** Do not use tool while tired or under the influence of drugs, alcohol, or medication. A moment of inattention while operating the tool may cause serious injury.
- **Avoid unintentional firing. Keep fingers away from trigger when not driving fasteners, especially when connecting the tool to the air supply.**
- **Keep proper footing and balance at all times.** Proper footing and balance enables better control of the tool in unexpected situations.

- **Do not use on a ladder or unstable supports.** Stable footing on a solid surface enables better control of the tool in unexpected situations.
- **Make sure the hose is free of obstructions or snags.** Entangled or snarled hoses can cause loss of balance or footing and may become damaged, resulting in possible injury.
- **Do not overreach. Keep proper footing and balance at all times. Proper footing and balance enables better control of the tool in unexpected situations.**
- **Do not attach the hose or tool to your body.**
- **Attach the hose to the structure to reduce the risk of loss of balance if the hose shifts.**
- **Always assume that the tool contains fasteners. Do not point the tool toward yourself or anyone whether it contains fasteners or not.**
- **Wash hands after handling. This product or its power cord may contain chemicals known to the State of California to cause cancer and birth defects or other reproductive harm.**

## TOOL USE AND CARE

- **Know this tool.** Read manual carefully, learn its applications and limitations, as well as the specific potential hazards related to this tool.
  - **Use only fasteners that are recommended for your models.** Do not use the wrong fasteners or load the fasteners incorrectly.
  - **Check for misalignment or binding of moving parts, breakage of parts, and any other condition that may affect the tool's operation.** If damaged, have the tool serviced before using. Many accidents are caused by poorly maintained tools.
  - **Maintain tools with care.** Keep tool clean. A properly maintained tool, reduces the risk of binding and is easier to control.
  - **Store tools out of the reach of children and other untrained people.** Tools are dangerous in the hands of untrained users.
  - **Check operation of the tool before use.** Do not use the tool if the workpiece contact mechanism is not working correctly as accidental driving of a fastener may occur.
  - **Do not use tool if trigger does not actuate properly.** Any tool that cannot be controlled with the trigger is dangerous and must be repaired.
  - **Do not force tool.** Use the correct tool for your application. The correct tool will do the job better and safer at the rate for which it is designed.
  - **Use clamps or another practical way to**
- Secure and support the workpiece to a stable platform.** Holding a tool by hand or against the body is unstable and may lead to loss of control.
- **Keep the tool and its handle dry, clean and free from oil and grease.** Always use a clean cloth when cleaning. Never use brake fluids, gasoline, petroleum-based products, or any strong solvents to clean your tool.
  - **Do not use the tool as a hammer.**
  - **Never use this tool in a manner that could cause a fastener to be directed toward anything other than the workpiece.**
  - **Never use gasoline or other flammable liquids to clean the tool.** Never use the tool in the presence of flammable liquids or gases. Vapors could ignite by a spark and cause an explosion which will result in death or serious personal injury.
  - **Do not remove, tamper with, or otherwise cause the trigger lock or trigger to become inoperable.** Do not operate any tool which has been modified in a like fashion. Death or serious personal injury could result.
  - **Do not touch the trigger unless driving fasteners.** Never attach air line to tool or carry tool while touching the trigger. The tool could eject a fastener which will result in death or serious personal injury. Also actuate the trigger lock to the safe position when not in use.
  - **Always fit tool with a fitting or hose coupling on or near the tool in such a manner that all compressed air in the tool is discharged at the time the fitting or hose coupling is disconnected.** Do not use a check valve or any other fitting which allows air to remain in the tool. Death or serious personal injury could occur.
  - **Never place hands or any other body parts in the fastener discharge area of the tool.** The tool might eject a fastener and could result in death or serious personal injury.
  - **Never carry the tool by the air hose or pull the hose to move the tool or a compressor.** Keep hoses away from heat, oil and sharp edges. Replace any hose that is damaged, weak or worn. Personal injury or tool damage could occur.
  - **Always assume the tool contains fasteners.** Respect the tool as a working implement; no horseplay.
  - **Always keep others at a safe distance from the work area in case of accidental discharge of fasteners.** Do not point the tool toward yourself or anyone whether it contains

fasteners or not. Accidental triggering of the tool could result in death or serious personal injury.

- **Do not drop or throw the tool.** Dropping or throwing the tool can result in damage that will make the tool unusable or unsafe. If the tool has been dropped or thrown, examine the tool closely for bent, cracked or broken parts and air leaks. STOP and repair before using, or serious injury could occur.
- **Avoid using the tool when the magazine is empty.** Accelerated wear on the tool may occur.
- **Clean and check all air supply hoses and fittings before connecting the tool to an air supply.** Replace any damaged or worn hoses or fittings. Tool performance or durability may be reduced.
- **Do not use the tool if it leaks air or does not function properly.**
- **Do not operate the tool if it does not contain a legible warning label.**
- **Always carry the tool by the handle. Never carry the tool by the air hose.**

## TOOL SERVICE

- **Use only accessories that are identified by the manufacturer for the specific tool model.**
- **Use of unauthorized parts or failure to follow maintenance instructions may create a risk of injury.**
- **Use only the lubricants supplied with the tool or specified by the manufacturer.**
- **Tool service must be performed only by qualified repair personnel.**

## OPERATION

- **Do not drive fasteners near edge of material.** The workpiece may split causing the fastener or ricochet, injuring you or people around.
- **Do not carry the tool from place to place holding the trigger. Accidental discharge could result.** Choice of triggering method is important. Check manual for triggering options.
- **During normal use the tool will recoil immediately after driving a fastener.** This is a normal function of the tool. Do not attempt to prevent the recoil by holding the tool against the work. Restriction to the recoil can result in a second fastener being driven from the tool. Grip the handle firmly and let the tool do the work. Failure to heed this warning can result in serious personal injury.
- **Do not drive fasteners on top of other fasteners or with the tool at an overly steep angle as this may cause deflection of fasteners which could cause injury.**

- **Do not actuate the tool unless you intend to drive a fastener into the workpiece.**
- **Always handle the tool with care:**
  - ◆ Respect the tool as a working implement.
  - ◆ Never engage in horseplay.
  - ◆ Never pull the trigger unless nose is directed toward the work.
  - ◆ Keep others a safe distance from the tool while tool is in operation as accidental actuation may occur, possibly causing injury.

## AIR SUPPLY AND CONNECTIONS

- **The connector on the tool must not hold pressure when air supply is disconnected.** If an incorrect fitting is used, the tool can remain charged with air after disconnecting and thus will be able to drive a fastener even after the air line is disconnected, possibly causing injury.
- **Do not use any type of reactive gases, including, but not limited to, oxygen and combustible gases, as a power source.** Use filtered, lubricated, regulated compressed air only. Use of a reactive gas instead of compressed air may cause the tool to explode which will cause death or serious personal injury.
- **Use only a pressure-regulated compressed air source to limit the air pressure supplied to the tool.** The regulated pressure must not exceed 115 psi. If the regulator fails, the pressure delivered to the tool must not exceed 200 psi. The tool could explode which will cause death or serious personal injury.
- **Always disconnect air source:**
  - ◆ Before unloading or making adjustments.
  - ◆ When maintaining the tool.
  - ◆ When clearing a jam.
  - ◆ When touching the safety yoke.
  - ◆ When tool is not in use.
  - ◆ When moving to a different work area.

Such precautionary measures reduce the risk of injury to persons.

## LOADING TOOL

- **Do not load the tool with fasteners when any one of the operating controls is activated.**
- **Never place a hand or any part of body in fastener discharge area of tool.**
- **Never point tool at anyone.**
- **Do not pull the trigger or depress the workpiece contact as accidental actuation may occur, possibly causing injury.**

**⚠ WARNING:**

The warnings and precautions discussed above cannot cover all possible conditions and situations that may occur. It must be understood by the user that common sense and caution are factors which cannot be built into this product, but must be supplied by the user.

**UNPACKING**

- This tool has been shipped completely assembled.
- Carefully remove the tool and any accessories from the box.
- Inspect the tool carefully to make sure no breakage or damage occurred during shipping.
- Do not discard the packing material until you have carefully inspected and satisfactorily operated the tool.
- If any parts are damaged or missing, please call 1-888-669-5672.

**⚠ WARNING:**

If any parts are missing do not operate this tool until the missing parts are replaced. Failure to do so could result in possible serious personal injury.

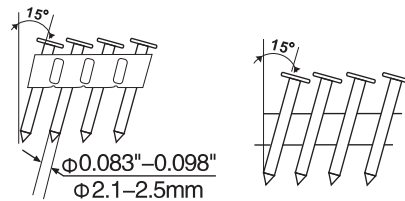
**⚠ WARNING:**

Do not attempt to modify this tool or create accessories not recommended for use with this tool. Any such alteration or modification is misuse and could result in hazardous condition leading to possible serious personal injury.

**FEATURES**

**SPECIFICATIONS**

**REQUIRES:** 10.25 SCFM with 100 fasteners per minute @ 90 psi  
**AIR INLET:** 1/4 inch NPT  
**MAGAZINE CAPACITY:** 200-400 fasteners, 12-13 gauge  
**WEIGHT:** 5.2 lbs  
**MAXIMUM PRESSURE:** 115 psi  
**PRESSURE RANGE:** 70 psi - 115 psi  
**PIN SIZE RANGE:** 1-1/16 inch to 2 inch



Compatible with generic brands of 15° collated siding nails.

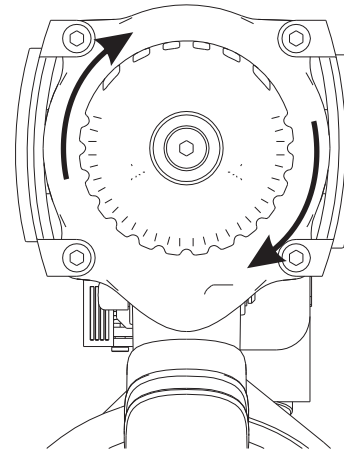
**FEATURES**

- **360° ADJUSTABLE EXHAUST**  
Allows user to direct air away from face.
- **ONE PIECE DRIVER BLADE**  
For increased durability.
- **ANODIZED ALUMINUM CYLINDER**  
For long lasting durability.
- **COMFORT-GRIP HANDLE**  
For increased comfort and control.
- **MAGNESIUM BODY**  
Light-weight tool great for extended use.
- **AIR FILTER**  
Keeps interior components debris free, extending tool life.
- **FIRE LOCK**  
prevents accidental firing when the tool is not in use.
- **ADJUSTABLE DEPTH**  
Depth is easily adjustable for various applications.

**OPERATION**

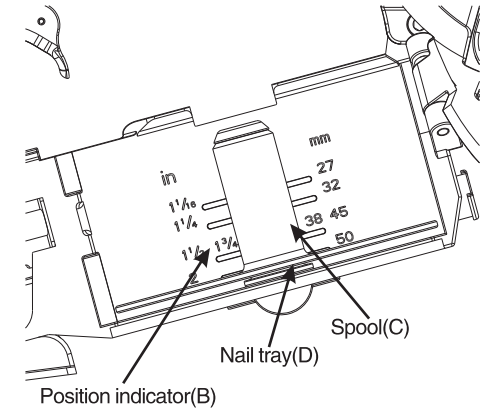
**ADJUSTING THE EXHAUST**

The adjustable exhaust on the cap of the tool allows users to direct the exhaust according to operator preference. To adjust the direction, turn the exhaust cap in the desired direction.



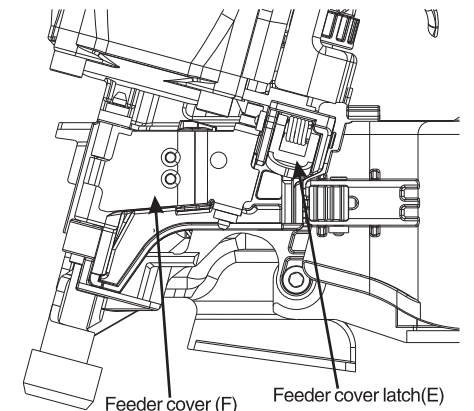
**ADJUSTING THE OFFSET MAGAZINE**

The load feature is designed for quick and easy reloads. To avoid jamming, always adjust the magazine to the correct position for the size nails you want to use. There is an adjustment indicator (B) inside the magazine to help you choose the right position. To adjust the magazine, pull up on the spool (C) to the desired position and then rotate it clockwise to set it. Rotate it counterclockwise to lower the nail tray (D).

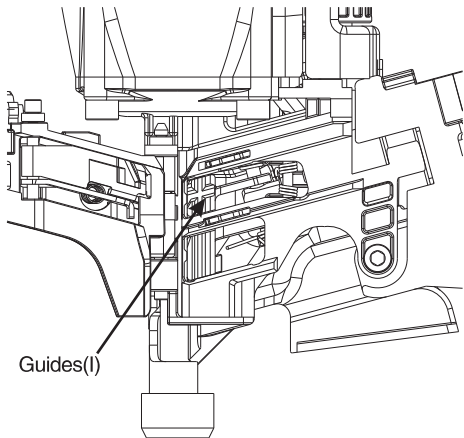
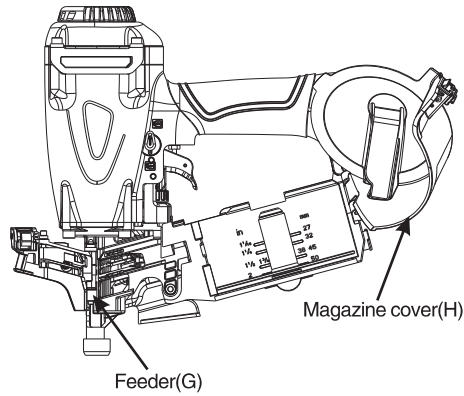


**LOADING FASTENERS**

1. Connect the tool to the air supply.
2. Depress the feeder cover latch(E) and open the cover (F).
3. Open the magazine cover(H).
4. Slide the coil of nails onto the spool with the nails pointing down.
5. Insert the first nail into the feeder(G). The first nail should sit in the nose of the tool.
6. Position the second nail between the guides(I), the nail heads should lie in the track.
7. Close the magazine cover(H).
8. Securely close the feeder cover(F), snapping it into place. Be sure that the feeder cover is locked before resuming operation.







**⚠ WARNING:**

Use only those fasteners recommended for use with this tool. Fasteners not identified for use with this tool by the tool manufacturer are able to result in a risk of injury to persons or tool damage when used in this tool.

**⚠ WARNING:**

Use only the fasteners recommended for use with this tool. The use of any other fasteners could result in tool malfunction, leading to serious injuries.

**⚠ WARNING:**

Never load fasteners with the workpiece contact or trigger activated. Doing so could result in possible serious personal injury.

**REMOVING THE FASTENERS**

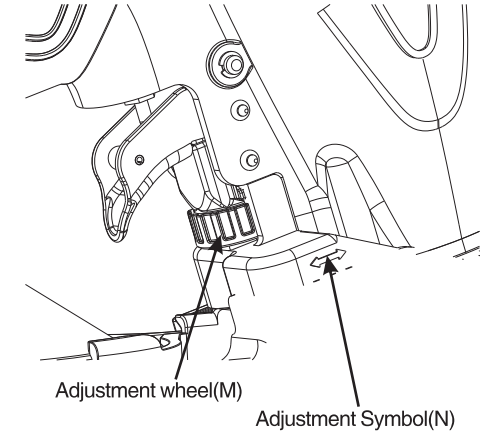
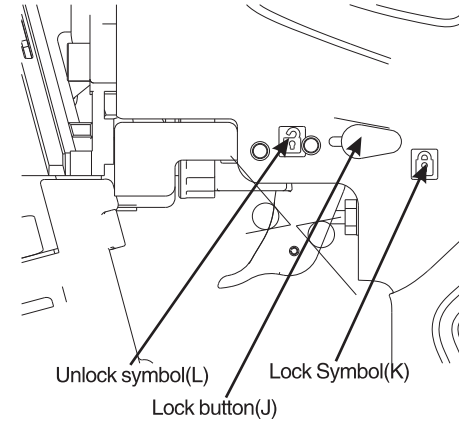
1. Disconnect the tool from the air supply.
2. Open the feeder cover(F) and magazine cover(H).
3. Lift the fasteners strip from the spool and remove the remaining coil fasteners.

**⚠ WARNING:**

The tool may fire when it first connected to the air source. Always connect the tool to the air source before loading fasteners to prevent injury from unintended cycling. Always make sure the tool's magazine is empty at the beginning of each work session, before connecting to an air source.

**FIRING LOCK**

The tool is equipped with a firing lock button(J) beside the trigger. Make sure it is in the position of the Lock Symbol(K) when tool is not in use. Before using the tool, turn the FIRING LOCK to the position of the Unlock Symbol(L).



**CAUTION:**

It is advisable to test the depth on a scrap workpiece to determine the required depth for the application. To determine depth of drive, first adjust the air pressure and drive a test fastener. Never exceed 120 psi.

**SETTING THE AIR PRESSURE**

The amount of air pressure required depends on the size of the fasteners and the workpiece material. Begin testing the depth of drive by driving a test nail into the same type of workpiece material used for the actual job.

Drive a test fastener with the air pressure set at 90–95psi. Raise or lower the air pressure to find the lowest setting that will perform the job with consistent results.

It may be possible to achieve the desired depth with air pressure adjustments alone. If finer adjustments are needed, use the drive depth adjustment on the tool.

**DEPTH ADJUSTMENT**

The driving depth of the fasteners are adjustable. To adjust the depth, use the drive depth adjustment wheel (M) on the right side of the tool.

1. Disconnect the tool from air source.
2. Turn the depth wheel left or right to change the driving depth.
3. Reconnect the tool to the air source.
4. Drive a test nail after each adjustment until the desired depth is set.

**FIRING THE TOOL (CONTACT ACTUATION MODE)**

The tool is specially designed for contact actuation mode. This allows for very fast, repetitive fastener placement.

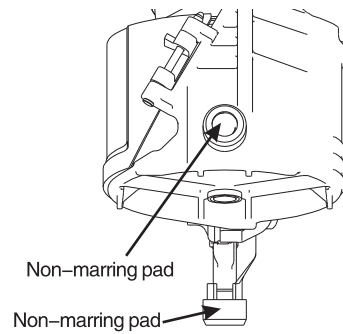
1. Connect the tool to the air supply.
2. Grip the tool firmly to maintain control.
3. Squeeze and hold the trigger. Push the tool against the work surface to depress the workpiece contact and drive a fastener.
4. Allow the tool to recoil away from the work surface as the fastener is driven.

**NOTE:**

The tool may also be operated by depressing the workpiece contact against the surface and squeezing the trigger.

**▲ WARNING:**

During normal use the tool will recoil immediately after driving a fastener. This is a normal function of the tool. Do not attempt to prevent the recoil by holding the tool against the work. Restriction to the recoil can result in a second fastener being driven from the tool. Grip the handle firmly and let the tool do the work. Failure to heed this warning can result in serious personal injury.



**CLEARING JAMS**

Occasionally, a fastener may become jammed in the firing mechanism of the tool, making the tool inoperable. To remove a jammed fastener, follow the steps below:

1. Disconnect the tool from air source.
2. Open the feeder cover and magazine cover.
3. Remove fasteners from the tool.
4. Remove jammed fastener, using pliers or a screwdriver if required.
5. Reconnect the tool to the air source.
6. Reload the tool with fasteners.
7. Close the magazine cover. Close the feeder cover securely.

**▲ WARNING:**

Make sure there is no fastener in magazine before clearing a jam.

**▲ WARNING:**

Disconnect the tool from the air source whenever clearing a jam. After disconnecting the tool from the air compressor, there should still be enough air pressure to fire the tool. After the air hose is disconnected, always fire the tool into scrap wood repeatedly to make sure all of the compressed air is expended.

**NON-MARRING PAD**

The non-marring pad attached to the nose of the tool helps prevent marring and denting when working with softer woods.

There are two non-marring pads packed with this tool. One non-marring pad is pre-assembled on the tool nose. There is an additional replacement non-marring pad located at the back of the magazine.

**▲ WARNING:**

Disconnect the tool from the air supply before removing or replacing the non-marring pad or replacing the non-marring pad. Failure to do so could result in serious personal injury.

**MAINTENANCE**

**▲ WARNING:**

Any time inspection, maintenance, and cleaning are done:  
 ◆ Disconnect the tool from the air source.  
 ◆ Empty the magazine completely.

**ANTI-DUST CAP**

Each tool is packed with an anti-dust cap on the air connector. Keep the anti-dust cap cover the air connector when the tool is not in use.

**LUBRICATION**

Frequent, but not excessive, lubrication is required for best performance. Oil for the tool added through the air line connection and will lubricate the internal parts. Do not detergent oil or additives as these lubricants will cause accelerated wear to the seals and bumpers in the tool, resulting in poor tool performance and frequent tool maintenance.

**CAUTION:**

Lubricate tool only with specified lubricants.

**CLEANING**

Avoid using solvents when cleaning plastic parts. Most plastics are susceptible to damage from various types of commercial solvents and maybe damaged by their use. Use clean cloths to remove dirt, dust, oil, grease, etc.

**▲ WARNING:**

Do not at any time let brake fluids, gasoline, petroleum-based products, penetration oils, ect. come in contact with plastic parts. Chemicals can damage, weaken or destroy plastic which may result in serious personal injury.

**COLD WEATHER OPERATION**

For cold weather operation, near and below freezing, the moisture in the air line may freeze and prevent tool operation. We recommend the use of air tool lubricant or permanent antifreeze (ethylene glycol) as a cold weather lubricant.

**CAUTION:**

Do not store tools in a cold weather environment to prevent frost or ice formation on the tool's operating valves and mechanisms that could cause tool failure.

**RECOMMENDED HOOKUP**

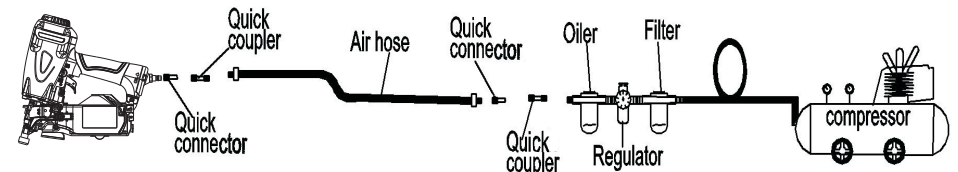
1. The air compressor must be able to maintain a minimum of 70 psi when the tool is being used. An inadequate air supply can cause a loss of power and inconsistent driving.
2. An oiler can be used to provide oil circulation through the tool. A filter can be used to remove liquid and solid impurities which can rust or gum up internal parts of the tool.
3. Always use air supply hoses with a minimum working pressure rating equal to or greater than the pressure from the power source if a regulator fails, or 150 psi, whichever is greater. Use 3/8" air hose for runs up to 50' and use a 3/8" quick coupler on the air hose.
4. Use a pressure regulator on the compressor, with an operating pressure of 0-125 psi. A pressure regulator is required to control the operating pressure of the tool between 70 and 115 psi.

**CAUTION:**

The air compressor must be able to maintain a minimum of 70 psi when the tool is being used. An inadequate air supply can cause a loss of power and inconsistent driving.

**▲ WARNING:**

Do not connect with an air compressor which can potentially exceed 200 psi. As tool may burst, possibly causing injury.



## TROUBLESHOOTING

**⚠ WARNING:**  
**Stop using tool immediately if any of the following problems occur. Serious personal injury could result. Any repairs or replacements must be done by a qualified service person or an authorized service center.**

PROBLEMS	POSSIBLE CAUSE(S)	CORRECTIVE ACTION
Air leaking at trigger valve area.	O-rings in trigger valve housing are damaged.	Replace O-rings. Check operation of Work Contact Element(WCE).
Air leaking between housing and nose.	1.Loose screws in housing. 2.Damaged O-rings. 3.Damaged to bumper.	1.Tighten screws. 2.Replace O-rings. 3.Replace bumper.
Air leaking between housing and cap.	1.Loose screws. 2.Damaged gasket.	1.Tighten screws. 2.Replace gasket.
Tool skips driving fastener.	1.Worn bumper. 2.Dirt in nose piece. 3.Dirt or damage prevent fasteners or pusher from moving freely in magazine. 4.Damaged pusher spring. 5.Inadequate air flow to tool. 6.Worn O-ring on piston or lack of lubrication. 7.Damaged O-ring on trigger valve. 8.Air leaks. 9.Cap seal leaking.	1.Replace bumper. 2.Clean drive channel. 3.Clean magazine. 4.Replace spring. 5.Check fitting, hose, or compressor. 6.Replace and lubricate O-rings. 7.Replace O-rings. 8.Tighten screws and fittings. 9.Replace gasket.
Tool runs slow or has loss of power.	1.Tool not lubricated sufficiently. 2.Broken spring in cylinder cap. 3.Exhaust port in cap is blocked.	1.Lubricate nailer. 2.Replace spring. 3.Replace damaged internal parts.
Fasteners are jammed in tool.	1.Guide on driver is worn. 2.Fasteners are not correct size. 3.Fasteners are bent. 4.Magazine or nose screws are loose. 5.Driver is damaged.	1.Replace guide. 2.Use only recommended fasteners. 3.Replace with undamaged fasteners. 4.Tighten screws. 5.Replace driver.

**⚠ WARNING:**  
**Use only Freeman Authorized Repair Parts. For questions please call 1-888-669-5672 or visit our website at <http://www.freemantools.com>**

## WEARING PARTS

Repair parts can be ordered from our website: <http://www.freemantools.com>

## FREEMAN PGP INC. PRODUCT WARRANTIES

**Professional 7-Year Limited Warranty**  
 This warranty of Freeman Nail Guns extends exclusively to the original purchaser of the Freeman Nailing Gun seven(7) years from the original purchase date. Prime Global Products, Inc. (PGP Inc.) expressly warrants that the Freeman Nail Gun is free from defect in materials and workmanship subject to the exceptions and limitations contained herein.

**Professional 90 Day Limited Warranty**  
 This warranty of PGP Inc.'s driver blades, bumpers, O-rings, pistons, piston rings, and gaskets (the "Freeman Wearing Parts" collectively with the Freeman Nailing Guns the "Freeman Product") extends exclusively to the original purchaser of the Freeman Wearing Parts ninety(90) days from the original purchase date due to a defect in material and workmanship.

PGP Inc. shall repair, replace, or offer full refund, at its option, a Freeman Product that has a defect in materials or workmanship. The original purchaser must return the complete Freeman Product, postage prepaid and insured, with proof of purchase to PGP Inc. or any of its authorized service centers. Other than the postage and insurance requirement, no charge will be made for repairs covered by this warranty.

These warranties do not apply to defects in materials or workmanship or damages resulting from repairs or alterations which have been made or attempted by others or the unauthorized use of nonconforming parts. They further do not apply if the damage is due to normal wear and tear, abuse, improper maintenance, neglect or accident or caused by use of the Freeman Product after partial failure or use with improper accessories.

The Freeman Product is intended for use by individuals and not for use on an assembly line, production line, or any commercial application. These warranties do not extend to such commercial use as it constitutes abuse of the Freeman Product.

**NO WARRANTY, ORAL OR WRITTEN, EXPRESSED OR IMPLIED, OTHER THAN THE ABOVE WARRANTY IS MADE WITH REGARD TO THIS FREEMAN PRODUCT. PGP INC. DISCLAIMS ANY IMPLIED WARRANTY OF MERCHANTABILITY OR FITNESS FOR A PARTICULAR USE OR PURPOSE, AND ALL OTHER WARRANTIES. IN NO EVENT SHALL PGP INC. BE LIABLE FOR ANY INCIDENTAL, SPECIAL, CONSEQUENTIAL OR PUNITIVE DAMAGES, OR FOR ANY COSTS, ATTORNEY FEES, EXPENSES, LOSSES OR DELAYS ALLEGED TO BE AS A CONSEQUENCE OF ANY DAMAGE TO, FAILURE OF, OR DEFECT IN ANY PRODUCT INCLUDING, BUT NOT LIMITED TO, ANY CLAIMS FOR LOSS OF PROFITS.**

These warranties are the sole and exclusive warranties, express or implied for the Freeman Product. No employee, agent, dealer or other person is authorized to alter, modify, expand or reduce the terms of these warranties or to make any other warranty on behalf of PGP Inc. These express limited warranties, contains the entire agreement regarding express and implied warranties related to the Freeman Product. No writing or languages in the purchase order or any other document shall be construed as an addition or alteration of PGP Inc.'s warranties of the Freeman Product.

All matters related to the sale and/or use of the Freeman Product that is the subject of these limited warranties, along with the construction and enforcement of the terms of these limited warranties themselves, shall be subject to the laws of the state of Georgia. Any dispute arising out of the sale and/or use of the Freeman Product that is the subject of these limited warranties shall be brought in Cherokee County, Georgia. Purchase and/or use of the Freeman Product, makes you subject to the benefits and limitations of these limited warranties. Accordingly, any writ, judgment or other enforcement, obtained from a jurisdiction, county, parish, state or federal court or other country, other than from the forum identified above, shall be void and unenforceable against PGP Inc.

Some states do not allow limitations on how long an implied warranty lasts, so the above limitations may not apply to you. Some states do not allow the exclusion or limitation of incidental or consequential damages, so the above limitation or exclusion may not apply to you.

If any term or limitation contained in this limited warranty is deemed unenforceable by law, then that term shall be severed from the remaining portions of the limited warranties which shall remain enforceable.

**THESE WARRANTIES ARE SUBJECT TO CHANGE WITHOUT NOTICE.**

# FREEMAN

## MODELO: PCN50

### PISTOLA EN CLAVOS EN ESPIRAL 50MM(2")

- [HTTP://WWW.FREEMANTOOLS.COM](http://www.freemantools.com)
- 1-888-669-5672
- PRIME GLOBAL PRODUCTS, INC.



#### ADVERTENCIA:

No seguir las advertencias correctamente puede causar LA MUERTE O LESIONES GRAVES.

**GUARDA ESTE MANUAL PARA CONSULTARLO EN EL FUTURO.**

MODELO: PCN50

FREEMAN

<b>NORMAS GENERALES DE SEGURIDAD</b>	P15
<b>DESEMPACAR</b>	P19
<b>CARACTERÍSTICAS</b>	P19
<b>OPERACIÓN</b>	
CÓMO AJUSTAR EL ESCAPE	P20
CÓMO AJUSTAR EL CARGADOR DESPLAZADO	P20
CÓMO CARGAR LOS SUJETADORES	P20
CÓMO DESCARGAR LOS SUJETADORES	P21
BLOQUEO DE LA ACTIVACIÓN DE DISPAROS	P22
CÓMO CONFIGURAR LA PRESIÓN DE AIRE	P22
AJUSTE DE PROFUNDIDAD	P22
CÓMO ACTIVAR LA HERRAMIENTA	P22
CÓMO RETIRAR SUJETADORES ATASCADOS	P23
ALMOHADILLA QUE NO RAYA	P23
<b>MANTENIMIENTO</b>	P23
<b>CONEXIÓN RECOMENDADA</b>	P24
<b>SOLUCIÓN DE PROBLEMAS</b>	P25
<b>PIEZAS DESGASTADAS</b>	P26
<b>GARANTIAS</b>	P26



#### ADVERTENCIA:

Las advertencias y precauciones mencionadas en este manual no abarcan todas las condiciones y situaciones posibles. Es perfectamente comprensible que no podemos fabricar el sentido común y la precaución como partes de ningún producto, el usuario es el responsable de obrar en consecuencia.

#### GUARDAR ESTE MANUAL

- Guarda este manual para tener a mano las advertencias de seguridad, precauciones, operaciones, inspecciones y mantenimiento. Guarda este manual y el recibo en un lugar seguro y seco para consultarlo en el futuro.



#### ADVERTENCIA:

Para evitar lesiones personales graves, no intentes usar este producto hasta haber leído y comprendido el manual por completo. Guarda este manual y consúltalo con frecuencia para un funcionamiento seguro y para instruir a otros usuarios de esta herramienta.



## SÍMBOLOS

- Símbolos en este manual, las etiquetas, envases y en toda la información provista con esta herramienta. Las siguientes palabras de aviso y significados tienen el objetivo de explicar los niveles de riesgo asociados con esta herramienta.

SÍMBOLOS	AVISO	SIGNIFICADO
	ADVERTENCIA:	Indica una situación potencialmente peligrosa que, de no evitarse, podría causar la muerte o lesiones graves.
	PRECAUCIÓN:	Indica una situación potencialmente peligrosa que, de no evitarse, podría causar la muerte o lesiones graves.
	PRECAUCIÓN:	(Sin símbolo) Indica una situación que puede resultar en daños a la propiedad.

## NORMAS GENERALES DE SEGURIDAD

### INSTRUCCIONES EN REFERENCIA AL PELIGRO DE INCENDIOS, CHOQUE ELECTRICO O LESIONES PERSONALES.

#### ADVERTENCIA:

Quando se usen herramientas, siempre se deberán seguir precauciones básicas, incluyendo las siguientes:

### PROPOSICIÓN 65 DE CALIFORNIA

#### ADVERTENCIA:

Este producto, a su cordón eléctrico, puede contener productos químicos conocidos por el estado de California como causantes de cáncer y defectos de nacimiento u otros daños reproductivos. Lave sus manos después de usar.

### ÁREA DE TRABAJO

- Mantenga el área de trabajo limpia y bien iluminada. Los bancos de trabajo desordenados y las áreas oscuras aumentan el riesgo de accidentes.
- No utilice la herramienta en atmósferas en las que exista riesgo de explosión, como por ejemplo en presencia de líquidos inflamables, gases o polvo. La herramienta produce una chispa que podría encender líquidos inflamables, gases o polvo.
- Mantenga a los transeúntes, niños y a otras personas alejadas cuando esté utilizando la herramienta. Las distracciones podrían resultar en el uso inapropiado y causar lesiones.

- Evite los disparos accidentales. Siempre tenga precaución para evitar disparos accidentales. No apunte la herramienta hacia usted u otra persona, aun cuando no contenga sujetadores.

### SEGURIDAD PERSONAL

- No clave sobre otro clavo. Esto puede causar que el clavo se desvíe y alcance a alguien, o que la herramienta reaccione de alguna manera y lesione a alguien.
- Retire el dedo del gatillo cuando no coloca sujetadores. Nunca transporte la herramienta con el dedo en el gatillo, ya que la herramienta puede disparar un sujetador.
- Usa siempre protección para los ojos. El operador y las otras personas en el área de trabajo deben usar siempre gafas de seguridad con protectores laterales, aprobadas por ANSI. La protección de los ojos se utiliza para resguardarlos de los fijadores y residuos que puedan saltar, los cuales pueden causar lesiones graves en los ojos.
- Usa siempre protección auditiva cuando utilices la herramienta. La exposición prolongada a ruidos de alta intensidad puede causar la pérdida de la audición.
- Usa un equipo de seguridad. Se deben usar una máscara antipolvo, calzado de seguridad antideslizante y un casco rígido en condiciones donde sean necesarios. Usa una máscara protectora completa si estás trabajando con virutas de madera o limaduras de metales
- Usa la vestimenta adecuada. No utilices ropa o joyas sueltas. Recoge el cabello largo. Mantén el cabello, la ropa y los guantes alejados de las partes móviles. La ropa y las joyas sueltas o el cabello largo pueden quedar atrapados en las partes móviles.

- Cuando utilices una herramienta de motor mantente alerta, observa lo que estás haciendo y utiliza el sentido común. No utilices la herramienta si estás cansado o bajo el efecto de drogas, alcohol o medicamentos. Un momento de distracción durante la operación de la herramienta puede causar lesiones graves.
- Para evitar disparos accidentales mantenga los dedos alejados del gatillo cuando no accione los sujetadores, especialmente cuando conecte la herramienta al suministro de aire.
- Mantén siempre una posición firme y el equilibrio adecuado. Una posición firme y el equilibrio adecuado permiten controlar mejor la herramienta en situaciones inesperadas.
- No la utilices sobre una escalera de tijera o soportes inestables. Una posición estable sobre una superficie sólida permite un mejor control de la herramienta en situaciones imprevistas.
- Asegúrate de que la manguera esté libre de obstrucciones o trabas. Las mangueras atascadas o enredadas pueden causar la pérdida del equilibrio o la estabilidad y pueden dañarse y causar lesiones.
- No se extienda demasiado. Mantenga un apoyo de pies y un equilibrio adecuados en todo momento. Un apoyo de pies y equilibrio adecuados permiten un mejor control de la herramienta en situaciones inesperadas.
- No fije la manguera o herramienta a su cuerpo.
- Fije la manguera a la estructura para reducir el riesgo de pérdida de equilibrio en caso que la manguera se mueva.
- Siempre dé por sentado que la herramienta contiene sujetadores. No apunte la herramienta hacia usted u otra persona, aun cuando no contenga sujetadores.
- Lávese las manos después de manipularlo. Este producto o su cable eléctrico pueden contener sustancias químicas reconocidas por el estado de California como causantes de cáncer, defectos congénitos y otros daños en el aparato reproductivo.
- Usa únicamente los fijadores recomendados para el modelo. No uses los fijadores incorrectos ni los cargues de forma inadecuada.
- Comprueba que las piezas móviles no estén desalineadas ni bloqueadas, que no haya piezas dañadas o cualquier otra condición que pueda afectar el funcionamiento de la herramienta. Si está dañada, repara la herramienta antes de utilizarla. Muchos accidentes se deben al mantenimiento incorrecto de la herramienta.
- Cuida la herramienta para mantenerla en buenas condiciones. Mantén limpia la herramienta. Una herramienta con el mantenimiento adecuado corre menos riesgo de bloquearse y es más fácil de controlar.
- Guarda las herramientas fuera del alcance de los niños y otras personas que no sepan como utilizarlas. Las herramientas son peligrosas en manos de usuarios que no saben como utilizarlas.
- Comprueba el funcionamiento de la herramienta antes de usarla. No uses la herramienta si el mecanismo de contacto de la pieza de trabajo no funciona correctamente para evitar disparar los fijadores accidentalmente.
- No utilice la herramienta si el gatillo no se acciona correctamente. Toda herramienta que no pueda controlarse con el gatillo es peligrosa y debe repararse.
- No fuerces la herramienta. Utiliza la herramienta correcta según la aplicación. La herramienta correcta realizará el trabajo mejor y con más seguridad a la velocidad para la cual está diseñada.
- Usa abrazaderas u otra forma práctica para asegurar y sujetar la pieza de trabajo a una plataforma estable. Sostener la herramienta con la mano o apoyarla contra el cuerpo no ofrece la estabilidad adecuada y puede causar pérdida de control.
- Mantén la herramienta y el mango secos, limpios y libres de aceite o grasa. Usa siempre un paño limpio para la limpieza. Nunca uses líquido de freno, gasolina, productos a base de petróleo ni solventes para limpiar la herramienta.
- No utilices la herramienta como martillo.
- No utilices esta herramienta de tal manera que los fijadores se dirijan hacia cualquier otra cosa que no sea la pieza de trabajo.

### USO Y CUIDADO DE LA HERRAMIENTA

- Infórmate sobre la herramienta. Lee el manual con cuidado, aprende sobre sus aplicaciones y limitaciones, como también sobre los riesgos específicos y potenciales relacionados con la herramienta.

- **Nunca utilice gasolina ni ningún otro líquido inflamable para limpiar la herramienta.** Nunca utilice la herramienta en presencia de líquidos o gases inflamables. Los vapores podrían encenderse por una chispa y causar una explosión que podría provocar lesiones personales graves o la muerte.
- **No retire, fuerce ni haga que el gatillo o el seguro del mismo queden inutilizables.** No haga funcionar ninguna herramienta que se haya modificado de dicha manera, en caso contrario podrían ocurrir lesiones personales graves o la muerte.
- **No apriete el gatillo a menos que coloque sujetadores.** Nunca fije el conducto de aire comprimido ni cargue la herramienta mientras aprieta el gatillo. La herramienta podría lanzar un sujetador y provocar lesiones personales graves o la muerte. Siempre coloque el seguro del gatillo en la posición de seguridad cuando no use la herramienta.
- **Siempre fije la manguera con un conector o acoplador de manguera sobre o cerca de la herramienta, de forma tal que todo el aire comprimido en la herramienta se descargue al momento en que el conector o el acoplador de la manguera estén desconectados.** No utilice una válvula de control ni ningún otro conector que permita que el aire permanezca en la herramienta, en caso contrario podrían ocurrir lesiones personales graves o la muerte.
- **Nunca coloque las manos ni otra parte del cuerpo en el área de descarga de sujetadores de la herramienta.** La herramienta podría lanzar un sujetador y provocar lesiones personales graves o la muerte.
- **Nunca transporte la herramienta de la manguera de aire comprimido ni jale la manguera para mover la herramienta o un compresor.** Mantenga las mangueras alejadas del calor, el aceite y los bordes filosos. Reemplace las mangueras dañadas o desgastadas, en caso contrario podrían ocurrir lesiones personales o daños en la herramienta.
- **Siempre dé por sentado que la herramienta contiene sujetadores.** Considere la herramienta como un implemento de trabajo y no juegue con ella.
- **Siempre mantenga a las demás personas a una distancia segura del lugar de trabajo, en caso se produzcan descargas accidentales**

de sujetadores. No Apunte la herramienta hacia usted u otra persona, aun cuando no contenga sujetadores. La activación accidental de la herramienta podría provocar lesiones personales graves o la muerte.

- **No deje caer ni lance la herramienta.** Ya que esto podría ocasionar daños en la herramienta y causar que la misma ya no sea utilizable o segura. Si la herramienta ha sufrido caídas o ha sido lanzada, examínela atentamente y revise si hay piezas dobladas, rajadas o rotas y si hay fuga de aire comprimido. NO PROSIGA y repárela antes de usarla, en caso contrario podrían ocurrir lesiones graves.
- **Evite usar la herramienta cuando el cargador está vacío.** Ya que esto puede producir desgaste acelerado en la herramienta.
- **Limpie y revise todas las mangueras y conectores de suministro de aire comprimido antes de conectar la herramienta a un suministro de aire comprimido.** Reemplace las mangueras y conectores dañados o desgastados, de lo contrario el rendimiento o la durabilidad de la herramienta podrían verse reducidos.
- **No utilices la herramienta si pierde aire o no funciona correctamente.**
- **No utilices la herramienta si no tiene una etiqueta de advertencia legible.**
- **Siempre sujete la herramienta por el mango.** Nunca la sujetes por la manguera de aire.

### REPARACIÓN DE LA HERRAMIENTA

- **Use únicamente accesorios identificados por el fabricante para ese modelo específico de herramienta.**
- **La utilización de piezas no autorizadas o el incumplimiento de las instrucciones de mantenimiento pueden aumentar el riesgo de lesiones.**
- **Use únicamente los lubricantes provistos con la herramienta o especificados por el fabricante.**
- **La reparación de la herramienta debe ser realizada únicamente por personal calificado.**

### FUNCIONAMIENTO

- **No coloque fijadores cerca del borde del material.** La pieza de trabajo puede partirse y hacer que el fijador rebote y te dañe a ti o a las personas alrededor.

- **No traslade la herramienta de un lugar a otro presionando el gatillo.** Esto podría provocar una descarga accidental. La opción del método de disparos es importante. Verifique el manual para las opciones de disparo.
- **Durante el uso normal la herramienta se rebobinará de inmediato luego de accionar un sujetador.** Esta es una función normal de la herramienta. No intente evitar la rebobinación sosteniendo la herramienta en contra del funcionamiento. La restricción para rebobinar puede provocar que se accione un segundo sujetador desde la herramienta. Sujete la manija firmemente y permita que la herramienta realice el trabajo. No seguir esta advertencia puede provocar graves lesiones personales.
- **No coloque fijadores sobre otros fijadores o con la herramienta a un ángulo demasiado inclinado ya que esto puede causar el desvío de los fijadores y provocar lesiones.**
- **No uses la herramienta a menos que pretendas colocar un fijador en la pieza de trabajo.**
- **Opera siempre la herramienta con cuidado:**
  - ◆ Respete la herramienta como implemento de trabajo.
  - ◆ Nunca la uses en bromas y juegos.
  - ◆ Nunca jale el gatillo a menos que la punta esté orientada directamente hacia el trabajo.
  - ◆ Mantén a los demás a una distancia segura de la herramienta ya que puede accionarse accidentalmente, y posiblemente causar lesiones.

### ENTRADA DE AIRE Y CONEXIONES

- **El conector de la herramienta no debe estar bajo presión al desconectar la entrada de aire.** Si se utiliza un acoplador incorrecto, la herramienta puede quedar cargada de aire luego de la desconexión y podría disparar fijadores incluso con la línea de aire desconectada y ello puede causar lesiones.
- **No utilice ningún tipo de gases reactivos, lo que incluye pero no se limita al oxígeno o a gases combustibles, como fuente de alimentación.** Use únicamente aire comprimido filtrado, lubricado y regulado. El uso de gas reactivo en lugar de aire comprimido puede hacer que la herramienta explote, lo cual produciría lesiones personales

Graves o la muerte.

- **Use únicamente una fuente de aire comprimido de presión regulada para limitar la presión de aire suministrada a la herramienta.** La presión regulada no debe superar los **7,93 Bar**. Si el regulador falla, la presión enviada a la herramienta no debe superar los **13,79 Bar**, de lo contrario la herramienta podría explotar y causar lesiones personales graves o la muerte.
- **Desconecta siempre la fuente de aire:**
  - ◆ Antes de descargar o realizar ajustes.
  - ◆ Al realizar el mantenimiento de la herramienta.
  - ◆ Al desatascarla.
  - ◆ Al tocar la horquilla de seguridad.
  - ◆ Cuando la herramienta no está en uso.
  - ◆ Al desplazarse a otra área de trabajo.

Dichas medidas de precaución reducirán el riesgo de lesiones a personas.

### CARGAR LA HERRAMIENTA

- **No cargues la herramienta con fijadores si alguno de los controles operativos está activado.**
- **Nunca coloques la mano ni ninguna otra parte del cuerpo en el área de descarga de los fijadores.**
- **Nunca apuntes la herramienta hacia las personas.**
- **No jale el gatillo ni presione la pieza de trabajo en contacto ya que se podría accionar accidentalmente y posiblemente causar lesiones.**

### ⚠ ADVERTENCIA:

Las advertencias y precauciones mencionadas anteriormente no abarcan todas las condiciones y situaciones posibles. Es perfectamente comprensible que no podemos fabricar el sentido común y la precaución como partes de ningún producto, el usuario es el responsable de obrar en consecuencia.

## DESEMPACAR

- Esta herramienta se ha enviado completamente ensamblada.
- Retira cuidadosamente la herramienta y los accesorios de la caja.
- Inspecciona la herramienta cuidadosamente para asegurarte de que no haya ocurrido ninguna rotura ni daño durante el envío.
- No deseches el material de empaque hasta que hayas inspeccionado cuidadosamente y utilizado satisfactoriamente la herramienta.
- Si alguna pieza está dañada o falta, llama al 1-888-669-5672.

### ⚠ ADVERTENCIA:

Si falta alguna pieza, no utilices esta herramienta hasta reemplazarla. De no seguir esta advertencia, pueden producirse lesiones graves.

### ⚠ ADVERTENCIA:

No intentes modificar esta herramienta o construir accesorios no recomendados para la misma. Tales modificaciones o cambios son considerados un mal uso y pueden resultar en condiciones peligrosas que a su vez pueden posiblemente causar lesiones.

## CARACTERÍSTICAS

### ESPECIFICACIONES

NECESITA: 10,25 SCFM con 100 sujetadores por minuto a 6,20 bar

ENTRADA DE AIRE: NPT DE 1/4"

CAPACIDAD DEL CARGADOR: 200–400 sujetadores de calibre 12–13

PESO DE LA HERRAMIENTA: 2,35 kgs

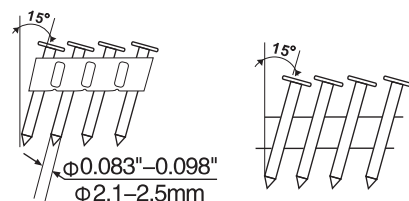
PRESIÓN MÁXIMA: 7,93 bar

RANGO DE PRESIÓN: 4,83–7,93 bar

RANGO DE TAMAÑO DEL PASADOR: 27 mm(1-1/16") a 50 mm(2")

RANGO DE TAMAÑO DEL PASADOR: 27 mm(1-1/16") a 50 mm(2")

RANGO DE TAMAÑO DEL PASADOR: 27 mm(1-1/16") a 50 mm(2")



Compatible con todas las marcas cotejada clavos de revestimiento de 15°

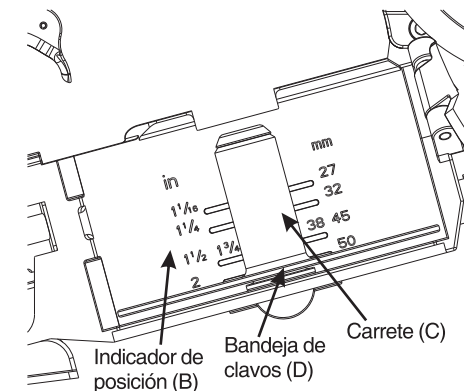
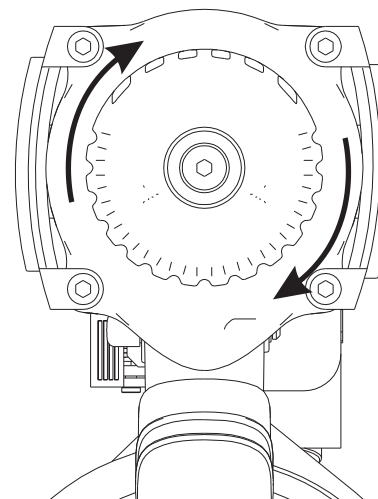
## CARACTERÍSTICAS

- **ESCAPE AJUSTABLE EN 360 GRADOS**  
Permite al usuario controlar el aire lejos de los cara.
- **HOJA DE UNA PIEZA**  
Para mayor durabilidad.
- **CILINDRO DE ALUMINIO ANODIZADO**  
Para una mayor durabilidad.
- **CÓMODA MANIJA DE AGARRE**  
Para mayor comodidad y control.
- **STRUCTURA DE MAGNESIO**  
Herramienta liviana ideal para un uso prolongado.
- **FILTRO DE AIRE**  
Mantiene el interior libre de desechos y extiende la vida de la herramienta.
- **PROFUNDIDAD AJUSTABLE**  
La profundidad se ajusta fácilmente para varias aplicaciones.

## OPERACIÓN

### CÓMO AJUSTAR EL ESCAPE

El escape ajustable en la cubierta de la herramienta permite a los usuarios controlar los escapes de acuerdo a las preferencias del operador. Para ajustar la dirección, gire la cubierta del tubo de escape a la dirección deseada.



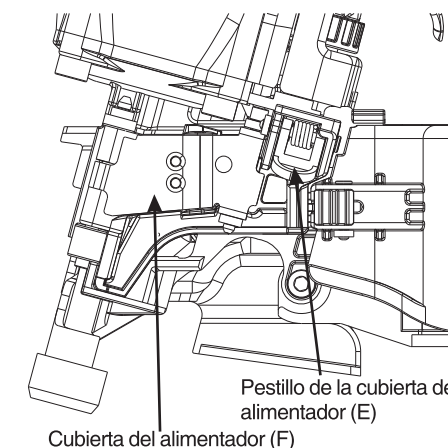
### CÓMO CARGAR LOS SUJETADORES

1. Conecte la herramienta al suministro de aire.
2. Oprima el pestillo de la cubierta del alimentador (E) y abra la cubierta (F).
3. Abra la cubierta del cargador (H).
4. Deslice el espiral de clavos sobre el carrete con los clavos apuntando hacia abajo.
4. Inserte el primer clavo en el alimentador (G). El primer clavo debe posarse en el extremo de la herramienta.
5. Coloque el segundo clavo entre las guías (I), la cabeza de los clavos deben situarse en el carril.
6. Cierre la cubierta del cargador (H).
7. Cierre de forma segura la cubierta del alimentador (F), encajándola en su lugar.
8. Asegúrese de que la cubierta del alimentador esté bloqueada antes de reanudar la operación.

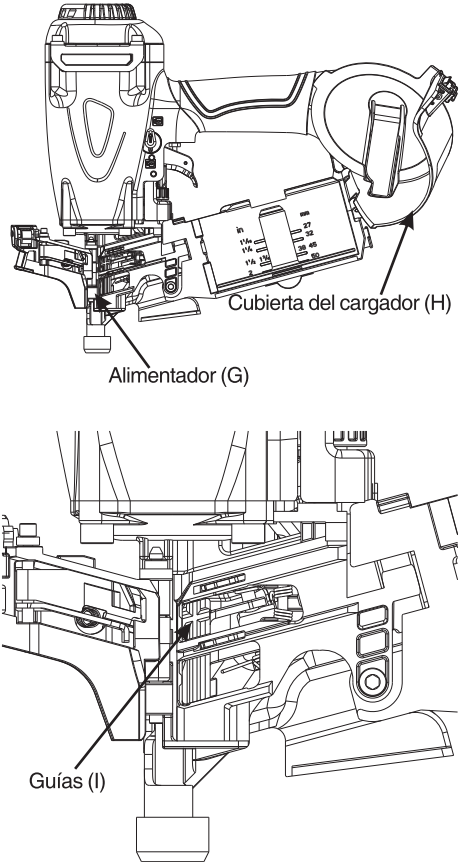
### CÓMO AJUSTAR EL CARGADOR DESPLAZADO

La función de carga está diseñada para realizar recargas en forma rápida y fácil. Para evitar los atascamientos, ajuste siempre el cargador a la posición correcta para el tamaño de los clavos que desea utilizar. Hay un indicador de ajuste (B) dentro del cargador para ayudarlo a elegir la posición correcta.

Para ajustar el cargador, jale el carrete (C) hacia arriba a la posición deseada y luego gire en dirección de las manecillas del reloj para configurarlo. Gire en dirección contraria a las manecillas del reloj para bajar la bandeja de clavos (D).







**⚠ ADVERTENCIA:**

Use solamente los sujetadores recomendados para esta herramienta. Los sujetadores no identificados por el fabricante de la herramienta para usarse con la misma pueden causar lesiones a las personas o daños en la herramienta cuando se usan con ella.

**⚠ ADVERTENCIA:**

Mantenga la herramienta en dirección opuesta a usted y otras personas al cargar los sujetadores. No hacerlo podría provocar lesiones personales graves.

**⚠ ADVERTENCIA:**

Nunca cargue el sujetador con la pieza de trabajo en contacto o el gatillo activado. Esto podría provocar lesiones personales graves.

**CÓMO DESCARGAR LOS SUJETADORES**

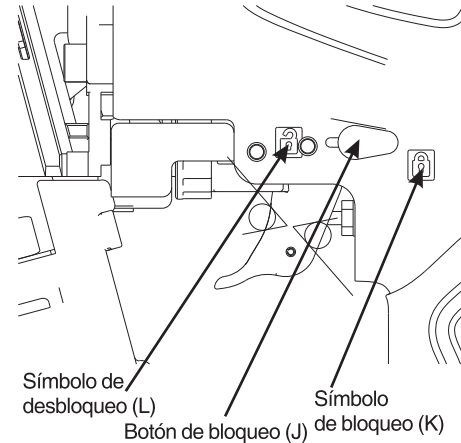
1. Desconecte la herramienta del suministro de aire.
2. Abra la cubierta del alimentador (F) y la cubierta del cargador (H).
3. Levante el listón del sujetador del carrete y retire los sujetadores en espiral restantes.

**⚠ ADVERTENCIA:**

La herramienta puede dispararse al ser conectada por primera vez a la fuente de aire. Conecta siempre la herramienta a la fuente de aire antes de cargar los fijadores para evitar lesiones causadas por ciclos accidentales. Asegúrate siempre de que el cargador de la herramienta esté vacío al comienzo de cada sesión de trabajo, antes de conectarla a una fuente de aire.

**BLOQUEO DE LA ACTIVACIÓN DE DISPAROS**

La herramienta está equipada con un botón de bloqueo de activación de disparos (J) junto al gatillo. Asegúrese de que se encuentre en la posición del símbolo de bloqueo (K) cuando la herramienta no esté en uso. Antes de usar la herramienta, gire el BLOQUEO DE LA ACTIVACIÓN DE DISPAROS hacia el símbolo de desbloqueo (L).



**CÓMO CONFIGURAR LA PRESIÓN DE AIRE**

La cantidad de presión de aire requerida depende del tamaño de los fijadores y del material de la pieza de trabajo.

Comienza por comprobar la profundidad de clavado disparando un clavo de prueba hacia una pieza de trabajo del mismo material utilizado para el trabajo real.

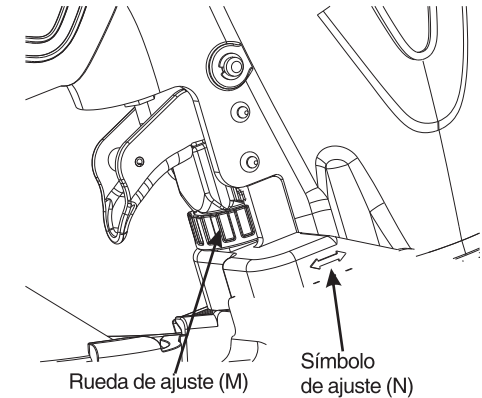
Dispara un fijador de prueba con la presión de aire configurada a 6,2-6,6 bar. Aumenta o reduce la presión de aire para hallar la configuración más baja posible para realizar el trabajo con resultados uniformes.

Es posible que se pueda lograr la profundidad deseada ajustando únicamente la presión de aire.

**AJUSTE DE PROFUNDIDAD**

La profundidad de disparo de los sujetadores es ajustable. Para ajustar la profundidad, utilice la rueda de ajuste de profundidad de disparo (H) en la herramienta.

1. Desconecta la herramienta de la fuente de aire.
2. Gire la rueda de profundidad hacia la izquierda o hacia la derecha para cambiar la profundidad de disparo
3. Después reconecta la fuente de aire a la herramienta.
4. Dispare un clavo de prueba luego de realizar cada ajuste hasta establecer la profundidad deseada.



**PRECAUCIÓN:**

Se recomienda probar la profundidad en una pieza de trabajo de desecho para determinar la profundidad requerida para la aplicación.

Para determinar la profundidad de disparo, primero ajuste la presión de aire y dispare un sujetador de prueba. Nunca supere los 8,27 bar.

**CÓMO ACTIVAR LA HERRAMIENTA (MODO DE ACCIÓN DE CONTACTO)**

La herramienta está diseñada especialmente para el modo de acción de contacto. Esto permite la colocación repetida del sujetador muy rápido.

1. Conecte la herramienta al suministro de aire.
2. Sostenga firmemente la herramienta para mantener el control.
3. Apriete y mantenga presionado el gatillo. Empuje la herramienta contra la superficie de trabajo para presionar la pieza de trabajo en



Contacto y dispare un sujetador.

- Permita que la herramienta rebobine lejos de la superficie de trabajo mientras se dispara el sujetador.

**NOTA:**

*También podría operarse la herramienta presionando la pieza de trabajo en contacto contra la superficie y presionando el gatillo.*

**⚠ ADVERTENCIA:**

Durante el uso normal la herramienta se rebobinará de inmediato luego de accionar un sujetador. Esta es una función normal de la herramienta. No intente evitar la rebobinación sosteniendo la herramienta en contra del funcionamiento. La restricción para rebobinar puede provocar que se accione un segundo sujetador desde la herramienta. Sujete la manija firmemente y permita que la herramienta realice el trabajo. No seguir esta advertencia puede provocar graves lesiones personales.

**CÓMO RETIRAR SUJETADORES ATASCADOS**

En ocasiones, un sujetador puede atascarse en el mecanismo de disparo, dejando la herramienta inoperante. Para retirar el sujetador atascado, siga los siguientes pasos:

- Desconecta la herramienta de la fuente de aire.
- Abra la cubierta del alimentador y la cubierta del cargador.
- Retire los sujetadores de la herramienta.
- Tenga cuidado de no doblar o dañar la hoja, si es necesario use pinzas o un destornillador para limpiar el sujetador atascado.
- Después reconecta la fuente de aire a la herramienta.
- Vuelve a cargar la herramienta con fijadores.
- Cierre la cubierta del cargador. Cierre de forma segura la cubierta del alimentador.

**⚠ ADVERTENCIA:**

Asegúrese de que no haya sujetadores en el cargador antes de retirar un sujetador atascado.

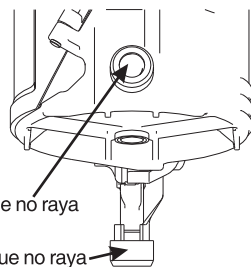
**⚠ ADVERTENCIA:**

Desconecte la herramienta de la fuente de aire cada vez que retire un sujetador atascado. Luego de desconectar la herramienta del compresor de aire, debería haber suficiente presión de aire para disparar. Luego de desconectar la manguera de aire, siempre dispare la herramienta varias veces sobre un trozo de madera que no utilice para asegurarse de que se expenda todo el aire comprimido.

**ALMOHADILLA QUE NO RAYA**

La almohadilla que no raya que se encuentra adherida al extremo de la herramienta ayuda a evitar que se estropee y abolle al trabajar con maderas más blandas.

Se incluyen dos almohadillas que no rayan con esta herramienta. Una almohadilla que no raya está preensamblada en el extremo de la herramienta. Hay una almohadilla que no raya de repuesto ubicada en la parte posterior del cargador.



**⚠ ADVERTENCIA:**

Desconecte la herramienta del suministro de aire antes de retirar o reemplazar la almohadilla que no raya. El incumplimiento de dicho paso podría provocar graves lesiones personales.

**MANTENIMIENTO**

**⚠ ADVERTENCIA:**

Antes de inspeccionar, dar mantenimiento y limpiar:

- ◆ Desconecta la herramienta de la fuente de aire.
- ◆ Vacía el cargador por completo.

**FUNCIÓN ANTIPOLVO**

Todas las herramientas vienen con un tapón antipolvo en el conector de aire; verifícalo si lo tienes después de desempacar la herramienta. Mantén el tapón antipolvo para cubrir el conector de aire.

**LUBRICACIÓN**

Frecuente, pero la lubricación es necesaria para un mejor rendimiento luego de periodos de uso prolongados. Si se agrega aceite a la herramienta a través de la conexión de la línea de aire se lubricarán las piezas internas. No utilices aceite detergente ni aditivos puesto que estos lubricantes causarían el desgaste acelerado de los sellos y amortiguadores de la herramienta, lo que resultará en el mal funcionamiento de la misma y elevará la frecuencia del mantenimiento.

**PRECAUCIÓN:**

Lubrica la herramienta únicamente con los lubricantes especificados.

**LIMPIEZA**

Evita el uso de solventes para limpiar las piezas plásticas.

La mayoría de los plásticos pueden dañarse con facilidad al usar varios tipos de solventes comerciales. Usa paños limpios para limpiar la suciedad, polvo, grasa, etc.

**⚠ ADVERTENCIA:**

En ningún momento dejes que líquidos para freno, gasolina, productos a base de petróleo, aceites penetrantes, etc. entren en contacto con las piezas plásticas. Estos químicos pueden dañar, debilitar o destruir el plástico, lo que puede provocar lesiones graves.

**OPERACIÓN EN CLIMAS FRÍOS**

En caso de operación en climas fríos, cerca o debajo del punto de congelamiento, la humedad en la línea de aire puede congelarse evitando el funcionamiento de la herramienta. Recomendamos usar lubricantes para herramientas neumáticas o un anticongelante permanente (glicol de etileno) como lubricante para climas fríos.

**PRECAUCIÓN:**

No almacenes la herramienta en un ambiente de clima frío para evitar la formación de escarcha o hielo sobre las válvulas y mecanismos operativos de la herramienta, pues la misma podría dejar de funcionar.

**CONEXIÓN RECOMENDADA**

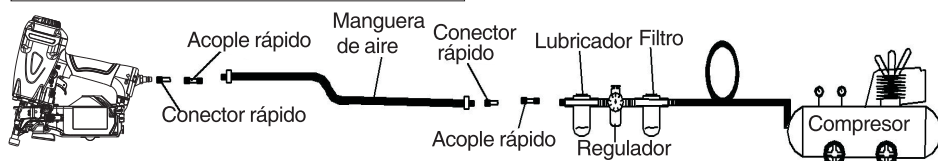
- El compresor de aire debe ser capaz de mantener un mínimo de 4,83 bar mientras la herramienta está en uso. Un suministro inadecuado de aire puede causar una pérdida de potencia y un clavado desigual.
- Se puede usar un lubricador para proporcionar circulación de aceite en toda la herramienta. Se puede usar un filtro para retirar las impurezas líquidas y sólidas, las que pueden oxidar piezas internas de la herramienta o hacer que éstas se apelmacen.
- Siempre use mangueras de aire comprimido con una clasificación de presión de trabajo igual o superior a la presión de la fuente de alimentación en caso que el regulador falle, o de 10,34 bar, el que sea mayor. Use mangueras de aire comprimido de 3/8" para distancias de hasta 15,24 m y use un acoplador de conexión rápida de 3/8" en la manguera de aire comprimido.
- Use un regulador de presión en el compresor con una presión de trabajo de 0 a 8,62 bar. Se necesita un regulador de presión que controle la presión de trabajo de la herramienta entre 4,83 y 7,93 bar.

**PRECAUCIÓN:**

El compresor de aire debe ser capaz de mantener un mínimo de 4,83 bar mientras la herramienta está en uso. Un suministro inadecuado de aire puede causar una pérdida de potencia y un clavado desigual.

**⚠ ADVERTENCIA:**

No conectes la herramienta a un compresor de aire que pueda exceder las 13,79 bar, La herramienta podría explotar y posiblemente provocar lesiones.



**SOLUCIÓN DE PROBLEMAS**

**⚠ ADVERTENCIA:**

Deje de utilizar inmediatamente la herramienta si se presenta alguno de los problemas descritos a continuación, de lo contrario podrían ocurrir lesiones personales graves. Cualquier reparación o reemplazo debe llevarse a cabo por un técnico calificado o un centro de servicio autorizado.

PROBLEMA	CAUSA POSIBLE	ACCIONES CORRECTIVAS
Fuga de aire en el de la válvula del gatillo.	Las juntas tóricas en el armazón de la válvula del gatillo están dañadas.	Cambie las juntas tóricas. Revise el funcionamiento del elemento de contacto de trabajo (WCE).
Fuga de aire entre el armazón y el borde.	1. Hay tornillos flojos en el armazón. 2. Juntas tóricas dañadas. 3. Protector dañado.	1. Apriete los tornillos. 2. Cambie las juntas tóricas. 3. Cambie el protector.
Fuga de aire entre el armazón y la cubierta.	1. Tornillos sueltos. 2. Empaquetadura dañada.	1. Apriete los tornillos. 2. Cambie la empaquetadura.
La herramienta omite colocar sujetadores.	1. Protector desgastado. 2. Suciedad en la pieza del borde. 3. Hay suciedad o daños que evitan que los sujetadores o el disparador se desplacen libremente en el cargador. 4. El resorte del disparador está dañado.	1. Cambie el protector. 2. Limpie la canaleta de disparo. 3. Limpie el cargador. 4. Cambie el resorte. 5. Revise los conectores, la manguera o el compresor. 6. Cambie y lubrique las juntas tóricas. 7. Cambie las juntas tóricas.
La herramienta omite colocar sujetadores.	5. Flujo de aire hacia la herramienta incorrecto. 6. Desgaste de la junta tórica en el pistón o falta de lubricación. 7. Las juntas tóricas en la válvula del gatillo están dañadas. 8. Hay fuga de aire. 9. Hay fuga en el sello de la cubierta.	8. Apriete los tornillos y los conectores. 9. Reemplace la empaquetadura.

La herramienta pierde velocidad o potencia.	1. La herramienta no cuenta con suficiente lubricación. 2. Hay un resorte roto en la cubierta del cilindro. 3. EL puerto de descarga en la cubierta está bloqueado.	1. Lubrique la clavadora. 2. Cambie el resorte. 3. Cambie las piezas internas dañadas.
Los sujetadores se atascan en la herramienta.	1. La guía de disparo está desgastada. 2. Los sujetadores no son del tamaño apropiado. 3. Los sujetadores están torcidos. 4. El cargador o los tornillos del borde están flojos. 5. El mecanismo de disparo está dañado.	1. Cambie la guía. 2. Use únicamente los sujetadores recomendados. 3. Cambie por sujetadores en buena condición. 4. Apriete los tornillos. 5. Cambie el mecanismo de disparo.

**⚠ ADVERTENCIA:**

Use sólo piezas de repuesto autorizadas por Freeman. Si tiene preguntas llame al 1-888-669-5672 o visite nuestro sitio Web en <http://www.freemantools.com>

**PIEZAS DESGASTADAS**

Puede pedir piezas de repuesto en nuestro sitio Web: <http://www.freemantools.com>

**GARANTÍAS DE LOS PRODUCTOS PGP INC.**

**Garantía limitada profesional de 7 años**

Esta garantía de las pistolas de clavos Freeman se extiende únicamente al comprador original de la pistola de clavos Freeman por un período de siete (7) años a partir de la fecha de compra original. Prime Global Products, Inc. (PGP Inc.) garantiza expresamente que la pistola de clavos Freeman no presenta defectos en los materiales ni en la mano de obra, lo que está sujeto a las excepciones y limitaciones mencionadas en la presente.

**Garantía limitada profesional de 90 días**

Esta garantía de las hojas, protectores, juntas tóricas, pistones, anillos de pistones y empaquetaduras (colectivamente las "Piezas de desgaste de Freeman", las que, con las pistolas de clavos Freeman, constituyen el "Producto Freeman") se extiende exclusivamente al comprador original de las Piezas de desgaste Freeman por un periodo de noventa (90) días a partir de la fecha de compra original, y cubre defectos en materiales y mano de obra.

PGP Inc. reparará o reemplazará, ou ofrecer le reembolso complet a su opción, un Producto Freeman presente un defecto en el material o la mano de obra. El comprador original debe devolver todo el Producto Freeman, con franqueo prepagado y seguro, junto con la prueba de compra, a PGP Inc. o a cualquiera de sus centros de servicio autorizados. Con excepción del costo del franqueo y del seguro, no se hará ningún otro cobro por reparaciones que cubra esta garantía.

Estas garantías no se aplican a defectos en materiales, mano de obra o daños causados por reparaciones o modificaciones que terceros realizaron o intentaron realizar ni por el uso no autorizado de piezas no conformes. Además, no se aplican si el daño es causado por el desgaste normal, el uso inadecuado, el mantenimiento inapropiado, negligencia, accidente o causado por el uso del Producto Freeman después de una falla parcial o por usarlo con accesorios inadecuados.

El Producto Freeman está diseñado para usarse por individuos y no para usarse en una línea de ensamblaje, línea de producción ni en ninguna otra aplicación industrial. Estas garantías no se extienden a dicho uso comercial y constituye un uso inadecuado del Producto Freeman.

NO SE EFECTÚA NINGUNA OTRA GARANTÍA, EXPRESA O IMPLÍCITA, ORAL O ESCRITA, PARA ESTE PRODUCTO FREEMAN, SALVO LA ANTERIORMENTE MENCIONADA. PGP INC. RECHAZA TODA GARANTÍA IMPLÍCITA DE COMERCIABILIDAD E IDONEIDAD PARA UN USO O PROPÓSITO EN PARTICULAR, ASÍ COMO TODAS LAS DEMÁS GARANTÍAS. BAJO NINGUNA CIRCUNSTANCIA PGP INC. SERÁ RESPONSABLE DE DAÑOS ACCIDENTALES, ESPECIALES, RESULTANTES O PUNITIVOS, NI DE NINGÚN COSTO, HONORARIOS DE ABOGADOS, GASTOS, PÉRDIDAS O RETRASOS DEBIDO A DAÑOS, FALLOS O DEFECTOS DE CUALQUIER PRODUCTO, LO QUE INCLUYE PERO NO SE LIMITA A RECLAMOS POR PÉRDIDAS DE GANANCIA.

Estas garantías constituyen las garantías únicas y exclusivas, expresas o implícitas, para el Producto Freeman. Ningún empleado, agente, distribuidor u otra persona tiene la autorización para modificar, aumentar o reducir los términos de estas garantías ni a otorgar ninguna otra garantía a nombre de PGP Inc. Estas garantías limitadas expresadas contienen todo el acuerdo con relación a las garantías expresas e implícitas relacionadas al Producto Freeman. Ningún escrito o expresión en la orden de compra ni en ningún otro documento debe considerarse con una adición o modificación de las garantías de PGP Inc. del Producto Freeman.

Todo lo relacionado con la venta o uso del Producto Freeman que sea objeto de estas garantías limitadas, junto con la elaboración y refuerzo de los términos de dichas garantías limitadas, debe estar sujeto a las leyes del estado de Georgia. Todo problema relacionado a la venta o al uso del Producto Freeman que sea objeto de estas garantías limitadas se debe traer al condado Cherokee, Georgia. La compra o uso de un Producto Freeman le otorga los beneficios y las limitaciones de estas garantías limitadas. Por ello, cualquier escrito, decisión judicial o cumplimiento obtenido de una jurisdicción, condado, subdivisión de condado, corte estatal o federal u otro país, que no sea del foro identificado anteriormente, será nulo e inaplicable para PGP Inc.

Algunos estados no permiten limitaciones sobre la duración de una garantía implícita, de modo que las limitaciones antes descritas puede que no se apliquen en su caso. Algunos estados no permiten la exclusión o limitación de los daños accidentales o resultantes, de modo que la exclusión o limitación anterior puede no aplicarse en su caso.

Si algún término o limitación contenida en esta garantía limitada se considera no aplicable según la ley, entonces dicho término debe ser retirado de las partes restantes de las garantías limitadas que permanecen aplicables.

**ESTAS GARANTÍAS ESTÁN SUJETAS A CAMBIO SIN PREVIO AVISO.**

**FREEMAN****MODÈLE :PCN50****CLOUEUR À ENROULEMENT  
DE 50MM(2 PO)**

- [HTTP://WWW.FREEMANTOOLS.COM](http://www.freemantools.com)
- 1-888-669-5672
- PRIME GLOBAL PRODUCTS, INC.

**AVERTISSEMENT:**

Tout manquement aux mises en garde pourrait se solder par MORT D'HOMME OU DES BLESSURES GRAVES.

**CONSERVEZ CE MANUEL POUR RÉFÉRENCE ULTÉRIEURE.**



<b>RÈGLES DE SÉCURITÉ GÉNÉRALES</b>	P29
<b>DÉBALLAGE</b>	P33
<b>CARACTÉRISTIQUES</b>	P33
<b>UTILISATION</b>	
RÉGLAGE DE L'ÉVENT	P34
RÉGLAGE DU MAGASIN DÉPORTÉ	P34
CHARGEMENT DES ATTACHES	P34
DÉCHARGEMENT DES CLOUS	P36
DISPOSITIF ANTIDÉCLENCHEMENT	P36
RÉGLER LA PRESSION D'AIR	P36
RÉGLAGE DE LA PROFONDEUR	P36
DÉCLENCHEMENT DE L'OUTIL	P36
DÉGAGER LES BLOCAGES	P37
TAMPON DE PROTECTION	P37
<b>ENTRETIEN</b>	P38
<b>RACCORD RECOMMANDÉ</b>	P38
<b>DÉPANNAGE</b>	P39
<b>PIÈCES D'USURE</b>	P40
<b>GARANTIES</b>	P40

**⚠ AVERTISSEMENT:**

Les mises en garde et les précautions dont il est question dans le présent manuel ne couvrent pas toutes les conditions et les situations possibles. L'utilisateur doit comprendre qu'il est impératif de faire preuve de jugement et de prudence.

**CONSERVEZ CE MANUEL**

- Gardez ce manuel qui contient les avertissements de sécurité, les précautions à prendre, le mode de fonctionnement, les inspections et l'entretien à effectuer. Gardez ce manuel et le reçu dans un endroit sec et sécuritaire pour référence ultérieure.

**⚠ AVERTISSEMENT:**

Pour éviter tout risque de blessure grave, ne tentez pas d'utiliser cet outil avant d'avoir lu entièrement le manuel et de l'avoir compris. Conservez ce manuel et consultez-le fréquemment pour une utilisation sécuritaire par toute personne qui utilise cet outil.

**SYMBOLES**

- Dans le présent manuel, sur les étiquettes, les emballages et tous les autres documents d'information fournis avec cet outil, les symboles et leur signification décrivent les niveaux de risque associés à cet outil :

SYMBOLES	INDICATEUR	SIGNIFICATION
	AVERTISSEMENT :	Indique une situation potentiellement dangereuse qui, si elle n'est pas évitée, pourrait se solder par mort d'homme ou des blessures graves.
	ATTENTION :	Indique une situation potentiellement dangereuse qui, si elle n'est pas évitée, pourrait se solder par des blessures mineures ou modérées.
	ATTENTION :	(Aucun symbole) Indique une situation qui pourrait poser des risques de dommages matériels.

**RÈGLES DE SÉCURITÉ GÉNÉRALES**

INSTRUCTIONS RELATIVES AU RISQUE D'INCENDIE, À L'ÉLECTROCUTION OU AU RISQUE DE BLESSURES.

**⚠ AVERTISSEMENT:**

Lors de l'utilisation des outils, il est toujours essentiel de suivre les mesures de sécurité de base, y compris celles qui suivent:

**PROPOSITION 65 DE LA CALIFORNIE**

**⚠ AVERTISSEMENT:**

Cet outil ou son cordon d'alimentation peut contenir des produits chimiques reconnus par l'État de Californie comme causant des cancers et des malformations congénitales ou comme étant nocifs au système reproducteur. Se laver les mains après la manipulation.

**ZONE DE TRAVAIL**

- Garder la zone de travail propre et bien éclairée. Des établis encombrés et des endroits sombres présentent des risques d'accidents.
- N'utilisez pas l'outil en présence de vapeurs explosives (comme celles dégagées par des liquides, des gaz ou des poussières inflammables). Les étincelles générées par l'outil peuvent enflammer les liquides, les gaz ou les poussières inflammables.
- Éloignez les curieux, les enfants et les visiteurs de la zone de travail lorsqu'on utilise l'outil. Une distraction peut entraîner une utilisation inappropriée et causer des blessures.

- Évitez les déclenchements accidentels. Afin d'éviter le déclenchement accidentel, soyez toujours prudent. Ne pointez jamais l'outil vers vous ou vers d'autres personnes, qu'il contienne ou non des attaches.

**SÉCURITÉ PERSONNELLE**

- N'enfoncez pas un clou par-dessus un autre clou. Le clou pourrait dévier et heurter quelqu'un ou provoquer un mouvement brusque de l'outil, ce qui peut entraîner des risques de blessure.
- Retirez votre doigt de la gâchette lorsque vous n'êtes pas en train d'enfoncer une fixation. Ne transportez jamais l'outil en gardant votre doigt sur la gâchette; l'outil pourrait projeter une fixation.
- Portez toujours des lunettes de sécurité. L'opérateur et les autres personnes se trouvant dans la zone de travail doivent toujours porter des lunettes de sécurité avec des écrans de protection latéraux conformes aux stipulations de l'ANSI. Les lunettes de protection assurent une protection contre les attaches et les débris pouvant causer des blessures graves aux yeux.
- Portez toujours des protecteurs auriculaires lorsque vous utilisez l'outil. Une exposition prolongée à des bruits de grande intensité risque de causer une perte auditive.
- Portez un équipement de protection. Il faut utiliser un masque antipoussières, des chaussures de sécurité à semelle antidérapante et un casque, en fonction des conditions de travail. Portez un masque complet si vous produisez de la limaille ou des copeaux de bois.



- **Portez des vêtements appropriés.** Évitez de porter des vêtements amples ou des bijoux. Attachez les cheveux longs. Gardez les cheveux, les vêtements et les gants à l'écart des pièces mobiles. Les vêtements amples, bijoux ou cheveux longs pourraient se prendre dans les pièces mobiles.
- **Demeurez vigilant, faites attention à ce que vous faites et faites preuve de jugement lorsque vous utilisez un outil électrique.** N'utilisez pas l'outil si vous êtes fatigué ou lorsque vous avez pris de la drogue, de l'alcool ou des médicaments. De graves blessures peuvent résulter d'un moment d'inattention lors de l'utilisation de l'outil.
- **Évitez les déclenchements accidentels.** Éloignez les doigts de la détente lorsque vous ne clouez pas, particulièrement lorsque vous connectez l'outil à la source d'alimentation en air.
- **Gardez les pieds au sol et conservez votre équilibre en tout temps.** La stabilité et un bon équilibre permettent de mieux contrôler l'outil dans des situations inattendues.
- **N'utilisez pas l'outil sur une échelle ou sur une surface instable.** La stabilité sur une surface solide permet de mieux contrôler l'outil dans des situations inattendues.
- **Assurez-vous que le tuyau n'est pas obstrué ou partiellement bouché.** Des tuyaux emmêlés ou enchevêtrés risquent de vous faire perdre l'équilibre ou tomber, d'endommager l'outil et de causer des blessures.
- **Ne tendez pas trop les bras.** Gardez les pieds au sol et conservez votre équilibre en tout temps. La stabilité et un bon équilibre permettent de mieux contrôler l'outil dans des situations inattendues.
- **N'attachez pas le tuyau ou l'outil à votre corps.**
- **Attachez le tuyau à la structure pour réduire le risque de perte d'équilibre si le tuyau bougeait.**
- **Assumez toujours que l'outil contient des attaches.** Ne pointez jamais l'outil vers vous ou vers d'autres personnes, qu'il contienne ou non des attaches.
- **Lavez vos mains après avoir manipulé l'outil.** Cet outil ou son cordon d'alimentation peut contenir des produits chimiques reconnus par l'État de Californie comme causant des cancers et des malformations congénitales ou comme étant nocifs au système reproducteur.

## UTILISATION ET ENTRETIEN DE L'OUTIL

- **Apprenez à connaître cet outil.** Lisez attentivement le manuel, familiarisez-vous avec les applications et les limites, ainsi qu'avec les risques potentiels liés à cet outil.
- **N'utilisez que les attaches recommandées pour votre modèle.** Chargez correctement les attaches et n'utilisez pas d'attaches inappropriées.
- **Vérifiez l'alignement et l'absence de jeu des pièces mobiles, le degré d'usure des pièces ainsi que tout autre facteur susceptible de nuire au bon fonctionnement de l'outil. S'il est endommagé, faites réparer l'outil avant de l'utiliser.** Des outils mal entretenus sont la cause de nombreux accidents.
- **Prenez soin de vos outils.** Gardez vos outils propres. Un outil bien entretenu réduit le risque de blocage et est plus facile à contrôler.
- **Rangez l'outil hors de la portée des enfants et de toute autre personne qui n'en connaît pas le fonctionnement.** Les outils sont dangereux dans des mains inexpérimentées.
- **Vérifiez le fonctionnement de l'outil avant de l'utiliser.** N'utilisez pas l'outil si le mécanisme de contact ne fonctionne pas. Cela pourrait causer l'éjection accidentelle d'une attache.
- **N'utilisez pas l'outil si la détente ne fonctionne pas.** Tout outil dont la détente ne fonctionne pas est dangereux et doit être réparé.
- **Ne forcez pas l'outil.** Utilisez le bon outil pour votre application. L'outil approprié fera mieux le travail et de façon plus sécuritaire à la vitesse pour laquelle il a été conçu.
- **Utilisez des pinces ou un autre moyen pratique de tenir en place et de supporter l'ouvrage sur une plateforme stable.** Maintenir l'outil avec votre main ou contre votre corps est instable et risque de causer la perte de contrôle de l'outil.
- **Assurez-vous que les poignées sont sèches, propres et exemptes d'huile et de graisse.** Utilisez toujours un chiffon propre pour le nettoyage. N'utilisez pas de liquide de frein, d'essence, de produits à base de pétrole ou tout autre diluant puissant pour nettoyer votre outil.
- **N'utilisez pas l'outil comme un marteau.**
- **N'utilisez jamais cet outil lorsqu'une attache est dirigée vers autre chose qu'une pièce à travailler.**

- **N'utilisez jamais d'essence ou d'autres liquides inflammables pour nettoyer l'outil.** N'utilisez jamais l'outil en présence de liquides ou de gaz inflammables. Une étincelle pourrait enflammer la vapeur, ce qui risquerait de causer une explosion qui pourrait se solder par mort d'homme ou des blessures graves.
- **Il ne faut pas retirer, altérer, ou autrement rendre inutilisables le bouton de verrouillage de la détente ou la détente.** N'utilisez pas un outil qui a été modifié de quelque façon que ce soit. Cela pourrait se solder par mort d'homme ou des blessures graves.
- **Ne touchez la détente que lorsque vous enfoncez des attaches.** Ne fixez pas le tuyau d'air comprimé à l'outil et ne transportez jamais l'outil avec votre doigt sur la détente. L'outil pourrait éjecter une attache, ce qui pourrait se solder par mort d'homme ou des blessures graves. Actionnez également le bouton de verrouillage lorsque vous n'utilisez pas l'outil.
- **Attachez toujours à l'outil un raccord de façon à ce que tout l'air comprimé soit retiré de l'outil lorsque le joint d'accouplement est déconnecté.** N'utilisez pas de clapet de non-retour ou tout autre tuyau qui permet à l'air de demeurer dans l'outil. Cela pourrait se solder par mort d'homme ou des blessures graves.
- **Ne placez jamais vos mains ou toute autre partie du corps dans la zone d'éjection des attaches de l'outil.** L'outil pourrait éjecter une attache, ce qui pourrait se solder par mort d'homme ou des blessures graves.
- **Ne transportez jamais l'outil en le tenant par le tuyau d'air.** Ne tirez jamais sur le tuyau pour déplacer l'outil ou un compresseur. Gardez les tuyaux éloignés des sources de chaleur, de l'huile et des bords coupants. Remplacez tout tuyau endommagé, fragile ou usé. Cela pourrait causer des dommages à l'outil ou des blessures.
- **Assumez toujours que l'outil contient des attaches.** Votre outil est un instrument de travail, pas un jouet.
- **Gardez toujours les autres à une distance sécuritaire de la zone de travail en cas d'éjection accidentelle d'attaches.** Ne pointez jamais l'outil vers vous ou vers d'autres personnes, qu'il contienne ou non des attaches. Le déclenchement accidentel de l'outil pourrait se solder par mort d'homme ou des blessures graves.

- **Ne laissez pas tomber l'outil et ne le lancez pas.** Faire tomber ou lancer l'outil pourrait l'endommager et le rendre inutilisable ou non sécuritaire. Si l'outil est tombé ou a été lancé, vérifiez qu'il ne présente aucune pièce pliée, fissurée ou brisée et qu'il n'y a pas de fuite d'air. Cessez d'utiliser l'outil et faites-le réparer afin d'éviter les blessures graves.
- **Évitez d'utiliser l'outil lorsque le magasin est vide.** Cela entraîne l'usure accélérée de l'outil.
- **Nettoyez et vérifiez tous les tuyaux d'air et raccords avant de connecter l'outil à une source d'alimentation en air.** Remplacez tout tuyau ou raccord endommagé ou usé. Négliger de le faire pourrait contribuer à réduire la performance ou la durabilité de l'outil.
- **N'utilisez pas l'outil s'il a une fuite d'air ou s'il ne fonctionne pas correctement.**
- **N'utilisez pas l'outil si aucune étiquette d'avertissement lisible n'y est apposée.**
- **Ne portez jamais l'outil par les tuyaux d'air.**

## ENTRETIEN DE L'OUTIL

- **N'utilisez que des accessoires recommandés par le fabricant pour votre modèle d'outil.**
- **L'utilisation de pièces non autorisées ou le non-respect des instructions d'entretien pourrait causer un risque de blessure.**
- **N'utilisez que les lubrifiants fournis avec l'outil ou précisés par le fabricant.**
- **L'outil ne doit être réparé que par du personnel qualifié.**

## UTILISATION

- **N'enfoncez pas d'attaches près du bord de la pièce.** La pièce risque de se fendre, de faire ricocher l'attache et de blesser l'opérateur ou une autre personne.
- **Ne déplacez pas l'outil avec le doigt sur la détente.** Cela pourrait causer un déclenchement accidentel. Le choix de la méthode de déclenchement est important. Consultez le manuel pour connaître les différentes méthodes de déclenchement.
- **Dans le cadre d'une utilisation normale, l'outil aura du recul immédiatement après avoir enfoncé une attache.** C'est une fonction normale de l'outil. Ne tentez pas d'empêcher le recul en retenant l'outil contre l'ouvrage. La restriction du recul pourrait causer l'éjection d'une seconde attache. Tenez fermement la poignée et laissez l'outil faire le travail. Ne pas tenir compte de cette mise en garde pourrait entraîner des blessures graves.
- **N'enfoncez pas d'attaches sur d'autres attaches ou avec l'outil à un angle trop aigu.** Ceci pourrait causer le ricochet des attaches et provoquer des blessures.
- **N'actionnez pas l'outil à moins de vouloir enfoncer une attache dans la pièce.**
- **Utilisez toujours l'outil avec précaution :**
  - ◆ Respectez votre outil en tant qu'instrument de travail.
  - ◆ Évitez de jouer avec.
  - ◆ N'appuyez jamais sur la détente à moins que l'embout ne soit dirigé vers l'ouvrage.
  - ◆ Gardez les autres à une distance sécuritaire de l'outil lorsque vous l'utilisez. Une activation accidentelle pourrait se produire et entraîner des blessures.

## ALIMENTATION EN AIR ET CONNEXIONS

- **Le connecteur de l'outil ne doit pas retenir la pression lorsque l'alimentation en air est déconnectée.** Si un mauvais raccord est utilisé, l'outil pourrait demeurer chargé d'air après avoir été débranché et être en mesure d'enfoncer une attache même après le débranchement du tuyau d'air, pouvant ainsi entraîner des blessures.

- **N'utilisez aucun type de gaz réactifs, notamment l'oxygène et les gaz combustibles comme source d'énergie.** N'utilisez que de l'air comprimé filtré, lubrifié et contrôlé. L'utilisation d'un gaz réactif plutôt que d'air comprimé pourrait causer l'explosion de l'outil qui pourrait se solder par mort d'homme ou des blessures graves.
  - **N'utilisez qu'une source d'alimentation en air comprimé dont la pression est contrôlée afin de limiter la pression d'air de l'outil.** La pression contrôlée ne doit pas excéder **793 kPa**. Dans l'éventualité d'une défaillance du régulateur, la pression de l'outil ne doit pas excéder 1379kPa. L'outil pourrait exploser, ce qui pourrait entraîner mort d'homme ou des blessures graves.
  - **Déconnectez toujours la source d'alimentation en air :**
    - ◆ Avant de procéder au déchargement ou de faire des ajustements.
    - ◆ Lorsque vous entretenez l'outil.
    - ◆ Lorsque vous libérez des attaches coincées.
    - ◆ Lorsque vous touchez le palpeur de sécurité.
    - ◆ Lorsque l'outil n'est pas utilisé.
    - ◆ Lorsque vous transportez l'outil d'une aire de travail à une autre.
- Ces précautions permettent de réduire les risques de blessure.

## CHARGEMENT DE L'OUTIL

- **Ne chargez pas d'attaches dans l'outil lorsque l'une des commandes est activée.**
- **Ne placez jamais vos mains ou toute autre partie du corps dans la zone d'éjection des attaches de l'outil.**
- **Ne pointez jamais l'outil vers quiconque.**
- **N'appuyez pas sur la détente ni sur la pièce à travailler puisque cela pourrait causer une activation accidentelle et causer des blessures.**

## ▲ AVERTISSEMENT:

Les mises en garde et les précautions dont il est question précédemment dans ce manuel ne couvrent pas toutes les conditions et les situations possibles. L'utilisateur doit comprendre qu'il est impératif de faire preuve de jugement et de prudence.

## DÉBALLAGE

- Cet outil a été expédié entièrement assemblé.
- Retirez soigneusement l'outil et les accessoires de la boîte.
- Inspectez attentivement l'outil pour vous assurer qu'aucun bris ou dommage n'est survenu pendant l'expédition.
- Ne jetez pas l'emballage tant que vous n'avez pas inspecté attentivement l'outil et que vous ne l'avez pas utilisé de façon satisfaisante.
- En cas de pièces manquantes ou endommagées, veuillez composer le 1-888-669-5672.

## ▲ AVERTISSEMENT:

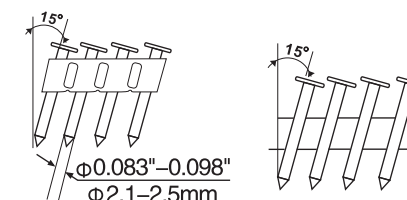
En cas de pièces manquantes, n'utilisez pas l'outil avant de les avoir remplacées. Tout manquement peut entraîner des blessures graves.

## ▲ AVERTISSEMENT:

Ne tentez pas de modifier cet outil ou de créer des accessoires dont l'utilisation n'est pas recommandée avec cet outil. Toute altération ou modification est considérée comme une utilisation abusive et risque de créer une situation dangereuse pouvant entraîner des blessures graves.

## CARACTÉRISTIQUES

**EXIGE :** 0,29 m<sup>3</sup>/min avec 100 attaches par minute à 621kPa  
**ADMISSION D'AIR :** 6,3 mm (¼ po) NPT  
**CAPACITÉ DU MAGASIN :**  
 20-400 attaches de calibre 12-13  
**POIDS :** 2,35 kgs  
**PRESSION MAXIMALE :** 793 kPa  
**PLAGE DE PRESSION :** 483 - 793 kPa  
**TAILLE DE LA BROCHE :**  
 27 mm(1-1/16 po) à 50 mm(2 po)



Compatible avec les clous pour parement reliés à 15 degrés et génériques.

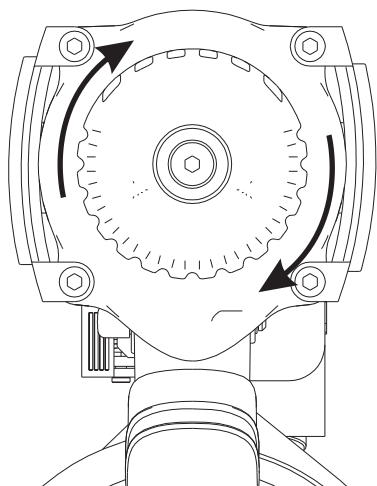
## CARACTÉRISTIQUES

- **ÉVENT RÉGLABLE À 360°**  
Permet à l'utilisateur de diriger l'air d'échappement loin des visages.
- **LAME D'ENTRAÎNEMENT UNE PIÈCE**  
Pour augmenter la durabilité
- **CYLINDRE EN ALUMINIUM ANODISÉ**  
Pour une durabilité supérieure
- **POIGNÉE À PRISE CONFORTABLE**  
Pour améliorer le confort et le contrôle.
- **CORPS EN MAGNÉSIUM**  
Outil léger, excellent pour une utilisation prolongée.
- **FILTRE À AIR**  
Garde les composants intérieurs libre de débris, et une longue vie utile de l'outil.
- **DISPOSITIF ANTIDÉCLENCHEMENT**  
Permet d'éviter le déclenchement accidentel lorsque l'outil n'est pas utilisé.
- **PROFONDEUR RÉGLABLE**  
La profondeur est facilement réglable pour diverses utilisations.

## UTILISATION

### RÉGLAGE DE L'ÉVENT

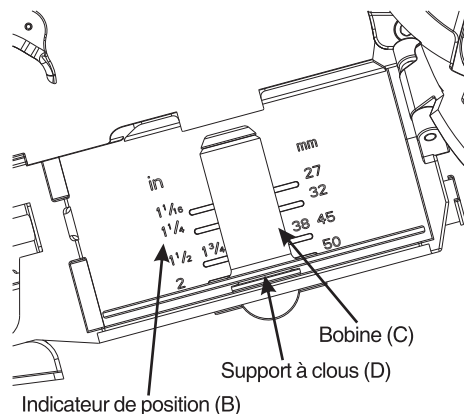
L'évent réglable sur le couvercle de l'outil permet de diriger l'évent au besoin. Pour ajuster la direction, tournez le couvercle de l'évent dans la direction désirée.



### RÉGLAGE DU MAGASIN DÉPORTÉ

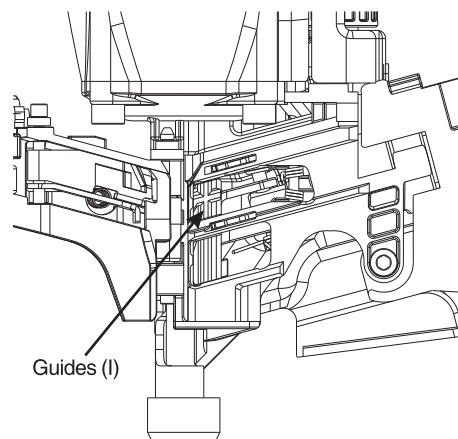
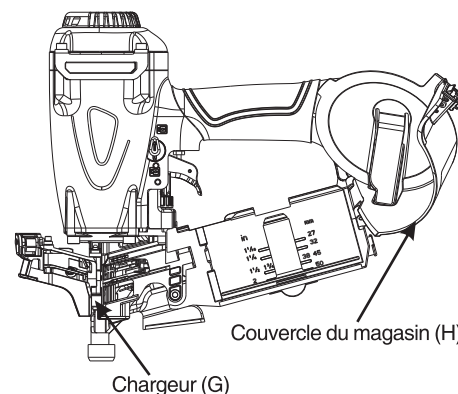
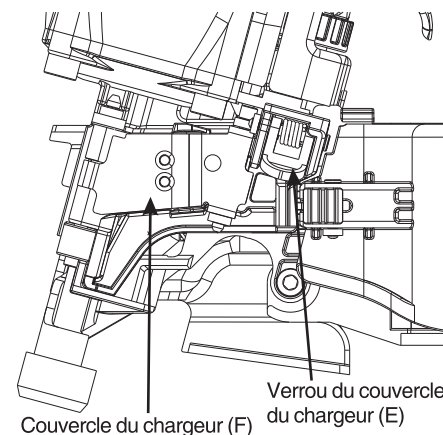
Conçue pour un rechargement rapide et facile. Pour éviter tout blocage, ajustez toujours le magasin à la bonne position pour la dimension des clous que vous souhaitez utiliser. Un indicateur de réglage (B) se trouve à l'intérieur du magasin pour vous aider à choisir la bonne position.

Pour régler le magasin, tirez la bobine (C) vers le haut jusqu'à ce qu'elle soit dans la position souhaitée, puis faites-la tourner dans le sens des aiguilles d'une montre. Faites-la tourner dans le sens contraire des aiguilles d'une montre pour abaisser le support à clous (D).



### CHARGEMENT DES ATTACHES

1. Reliez l'outil à l'alimentation en air.
2. Appuyez sur le verrou du couvercle du chargeur (E) et ouvrez le couvercle (F).
3. Ouvrez le couvercle du magasin (H).
4. Glissez la bobine de clous en les pointant vers le bas.
5. Insérez le premier clou dans le chargeur (G). Le premier clou devrait être dans la tête de l'outil.
6. Placez le deuxième clou entre les guides (I), les têtes des clous devraient reposer sur le rail.
7. Fermez le couvercle du magasin (H).
8. Fermez fermement le couvercle du chargeur (F) en l'enclenchant pour qu'il tienne bien en place. Assurez-vous que le couvercle du chargeur est verrouillé avant de recommencer à utiliser l'outil.



### ⚠ AVERTISSEMENT:

L'outil peut se déclencher lorsqu'il est connecté à la source d'alimentation en air. Connectez toujours l'outil à la source d'alimentation en air avant de charger les attaches afin d'éviter les blessures pouvant être causées par un cycle involontaire. Assurez-vous toujours que le magasin de l'outil est vide au début de chaque séance de travail et avant de le connecter à la source d'alimentation en air.

### ⚠ AVERTISSEMENT:

N'utilisez que les fixations recommandées pour une utilisation avec cet outil. L'utilisation de fixations qui ne sont pas conçues expressément pour cet outil par son fabricant peut entraîner des risques de blessure ou de dommages à l'outil.

### ⚠ AVERTISSEMENT:

Ne pointez pas l'outil vers vous ou vers d'autres personnes lorsque vous chargez les attaches. Tout manquement peut entraîner des blessures graves.

### ⚠ AVERTISSEMENT:

Ne chargez jamais les attaches lorsque le contact ou la détente est activé. Cela pourrait entraîner de graves blessures.

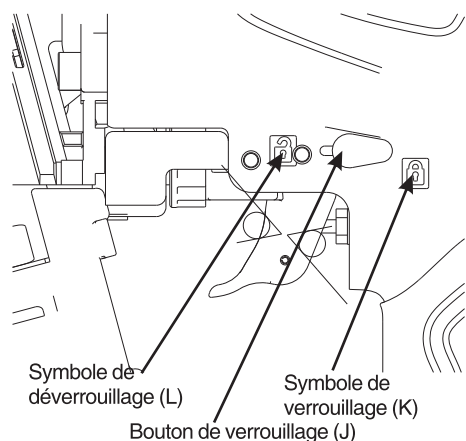


## DÉCHARGEMENT DES CLOUS

1. Débranchez l'outil de l'alimentation en air.
2. Ouvrez le couvercle du chargeur (F) et celui du magasin (H).
3. Soulevez la bande de clous de la bobine et retirez les clous restants.

## DISPOSITIF ANTIDÉCLENCHEMENT

L'outil est muni d'un bouton antidéclenchement (J) à côté de la gâchette. Assurez-vous qu'il est orienté en direction du symbole de verrouillage (K) lorsque l'outil n'est pas utilisé. Avant d'utiliser l'outil, orientez le DISPOSITIF ANTIDÉCLENCHEMENT vers le symbole de déverrouillage (L).



## RÉGLER LA PRESSION D'AIR

La quantité de pression d'air nécessaire dépend de la taille des attaches et du matériau de la pièce.

Testez la profondeur de l'attache éjectée en enfonçant un clou dans le même type de matériau que celui utilisé pour le travail.

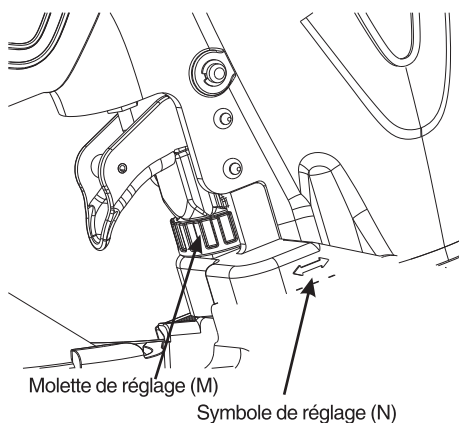
Enfoncez une attache avec la pression réglée entre 621 kPa et 655 kPa. Par la suite, il suffit d'augmenter ou de réduire la pression d'air pour trouver le réglage le plus faible qui permettra d'obtenir des résultats constants.

Il est possible d'obtenir la profondeur voulue en n'effectuant que des ajustements de la pression d'air.

## RÉGLAGE DE LA PROFONDEUR

La profondeur de clouage des attaches peut être ajustée. Pour régler la profondeur, utilisez le bouton de réglage de la profondeur (G) situé du côté droit de l'outil.

1. Déconnectez l'outil de la source d'alimentation en air.
2. Tournez le bouton de réglage vers la gauche ou la droite pour modifier la profondeur de clouage.
3. Reconnectez l'outil à la source d'alimentation en air.
4. Éjectez un clou après chaque réglage jusqu'à l'obtention de la profondeur voulue.



### ⚠ ATTENTION :

**Il est recommandé de tester la profondeur de clouage sur une pièce inutilisée afin de déterminer la profondeur requise pour l'application. Pour déterminer la profondeur de clouage, réglez d'abord la pression d'air, puis éjectez une attache. Ne dépassez jamais 827 kPa.**

## DÉCLENCHEMENT DE L'OUTIL (MODE DE DÉCLENCHEMENT PAR CONTACT)

L'outil a été spécialement conçu pour un mode de déclenchement par contact. Cela permet de placer des clous à répétition très rapidement.

1. Reliez l'outil à l'alimentation en air.
2. Tenez l'outil fermement pour en garder la maîtrise.
3. Appuyez sur la gâchette et tenez-la.

Appuyez l'outil contre la surface de travail pour activer le mécanisme de déclenchement par contact et enfoncez un clou.

4. Laissez l'outil faire un mouvement de recul pendant que le clou s'enfonce.

### NOTE:

*L'outil peut également s'utiliser en appuyant le contact sur la surface et puis sur la gâchette.*

### ⚠ AVERTISSEMENT:

**Durant son utilisation normale, l'outil subira une force de recul immédiatement après l'insertion d'un clou. Il s'agit d'une fonction normale de l'outil. Ne tentez pas d'empêcher le recul en retenant l'outil contre la surface de travail. Ne pas permettre le recul pourrait entraîner l'insertion d'un deuxième clou par l'outil. Tenez fermement la poignée et laissez l'outil faire le travail. Le non-respect de cet avertissement pourrait entraîner de graves blessures.**

## DÉGAGER LES BLOCAGES

Parfois, une attache se coince dans le mécanisme de déclenchement de l'outil, rendant celui-ci inutilisable. Pour retirer une attache coincée, suivez les étapes ci-dessous :

1. Débranchez l'outil de l'alimentation en air.
2. Ouvrez le couvercle du chargeur et celui du magasin.
3. Retirez les clous de l'outil. Autrement.
4. Faites attention de ne pas plier ou endommager la lame d'entraînement. Au besoin, utilisez des pinces ou un tournevis pour débloquer le clou coincé.
5. Tournez le bouton de sécurité pour le remettre dans la position centrale lorsque vous n'utilisez pas l'outil.
6. Rechargez les attaches dans l'outil.
7. Fermez le couvercle du magasin. Fermez le couvercle du chargeur fermement.

### ⚠ AVERTISSEMENT:

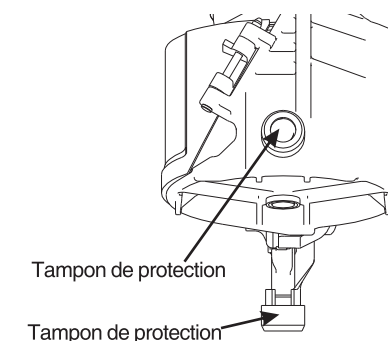
**Assurez-vous que le magasin est vide avant de décoincer une attache.**

### ⚠ AVERTISSEMENT:

**Déconnectez l'outil de la source d'alimentation en air chaque fois que vous décoincez une attache. Après avoir déconnecté l'outil du compresseur, l'outil devrait encore contenir suffisamment d'air pour le déclencher. Après avoir déconnecté le tuyau d'air, déclenchez toujours plusieurs fois l'outil dans un morceau de bois afin de vous assurer que tout l'air comprimé est expulsé.**

## TAMPON DE PROTECTION

Le tampon de protection fixé à la tête de l'outil empêche la formation d'éraflures et d'entailles lorsque vous travaillez sur des bois plus mous. Deux tampons de protection sont emballés avec cet outil. Un tampon de protection est préassemblé à la tête de l'outil. Un autre, remplacement, est situé à l'arrière du magasin.



### ⚠ AVERTISSEMENT:

**Débranchez l'outil de l'alimentation en air avant de retirer ou de remplacer le tampon de protection. Sinon, vous risquez de subir de graves blessures.**



## ENTRETIEN

### ⚠ AVERTISSEMENT:

Chaque fois qu'une inspection, qu'un entretien ou qu'un nettoyage est effectué :

- ◆ Déconnectez l'outil de la source d'alimentation en air.
- ◆ Videz complètement le magasin.

## ANTIPOUSSIÈRES

Chaque outil est doté d'un couvercle antipoussières sur le connecteur à air.

Placez le couvercle antipoussières sur le connecteur à air lorsque vous n'utilisez pas l'outil.

## LUBRIFICATION

La conception unique de l'outil fait en sorte qu'il n'a pas besoin d'être lubrifié quotidiennement. Après une longue période d'utilisation, une lubrification est toutefois nécessaire pour une meilleure performance. L'huile pour les cloueuses pneumatiques doit être ajoutée par la connexion du tuyau d'air et lubrifiera les pièces internes. N'utilisez pas d'huile détergente ou d'additifs puisque ces lubrifiants causeront une usure accélérée des garnitures d'étanchéité et des tampons à l'intérieur de l'outil, ce qui entraînera un mauvais fonctionnement de l'outil et des réparations plus fréquentes.

### ⚠ ATTENTION :

Ne lubrifiez l'outil qu'avec les lubrifiants précisés.

## NETTOYAGE

Évitez d'utiliser des solvants pour nettoyer les pièces de plastique.

La plupart des plastiques risquent d'être endommagés par l'emploi des différents types de solvants commerciaux.

Utilisez un chiffon propre pour retirer la saleté, la poussière, l'huile, la graisse, etc.

### ⚠ AVERTISSEMENT:

Le liquide de freins, l'essence, les produits à base de pétrole, les huiles de pénétration et autres ne peuvent en aucun cas entrer en contact avec les pièces de plastique. Les produits chimiques peuvent endommager, affaiblir ou détruire le plastique et ainsi causer des blessures graves.

## FUNCTIONNEMENT PAR TEMPS FROID

Par gel ou température proche du gel, l'humidité dans le tuyau d'air peut geler et nuire au fonctionnement de l'outil. Nous recommandons d'utiliser un lubrifiant ou un antigel permanent (éthylèneglycol) pour outil pneumatique en guise de lubrifiant par temps froid.

### ⚠ AVERTISSEMENT:

Ne rangez pas les outils dans un environnement froid afin d'éviter le gel ou la formation de glace sur les valves de commande et les mécanismes de l'outil, ce qui pourrait entraîner une panne.

## RACCORD RECOMMANDÉ

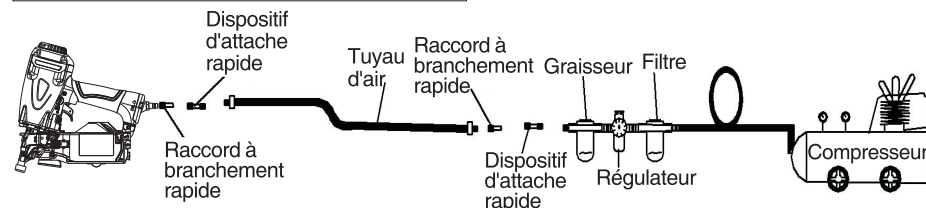
1. Le compresseur doit être en mesure de maintenir une pression minimale de 483 kPa lorsque l'outil est utilisé. Une mauvaise alimentation en air pourrait causer une perte de puissance et un déclenchement irrégulier.
2. Un réservoir d'huile peut être utilisé pour permettre la circulation d'huile dans l'outil. Un filtre peut être utilisé pour retirer les impuretés liquides et solides susceptibles de corroder ou d'encrasser les pièces internes de l'outil.
3. Utilisez toujours des tuyaux d'alimentation en air avec une pression d'air minimale équivalente ou supérieure à la pression de la source d'alimentation afin d'éviter une défaillance du régulateur. Ou 1034 kPa, Lequel est plus élevé. Utilisez un tuyau d'air de 9,53 mm (3/8 po) pouvant aller jusqu'à 15,24 m (50 pi), et utilisez de 9,53 mm (3/8 po) raccord rapide sur le tuyau d'air.
4. Utilisez un régulateur de pression sur le compresseur d'une pression de fonctionnement de 0 psi à 862 kPa. Un régulateur de pression est nécessaire pour contrôler la pression de fonctionnement de l'outil entre 483 kPa et 793 kPa.

### ⚠ ATTENTION :

Le compresseur doit être en mesure de maintenir une pression minimale de 483 kPa lorsque l'outil est utilisé. Une mauvaise alimentation en air pourrait causer une perte de puissance et un déclenchement irrégulier.

### ⚠ AVERTISSEMENT:

Ne connectez pas l'outil sur un compresseur pouvant dépasser 1379 kPa. L'outil pourrait exploser, ce qui pourrait entraîner des blessures.



## DÉPANNAGE

### ⚠ AVERTISSEMENT:

Cessez immédiatement d'utiliser l'outil si l'un des problèmes suivants survient. Cela pourrait entraîner des blessures graves. Les réparations et les remplacements doivent être effectués par du personnel qualifié ou un centre de service autorisé.

PROBLÈME	CAUSE POSSIBLE	MESURES À PRENDRE
Fuite d'air au niveau de la soupape de détente.	Les joints toriques du boîtier de la soupape de détente sont endommagés.	Remplacez les joints toriques. Vérifiez le fonctionnement de l'élément de contact avec l'ouvrage.
Fuite d'air entre le boîtier et l'embout.	1. Vis desserrées dans le boîtier. 2. Joints toriques endommagés. 3. Tampons endommagés.	1. Resserrez les vis. 2. Remplacez les joints toriques. 3. Remplacez le tampon.
Fuite d'air entre le boîtier et le couvercle.	1. Vis desserrées. 2. Garniture endommagée.	1. Remplacez les joints toriques. 2. Remplacez le tampon.
L'outil saute des attaches.	1. Tampon endommagé. 2. Saleté dans le nez protecteur. 3. De la saleté ou un bris empêche les attaches ou le poussoir de se déplacer librement dans le magasin. 4. Ressort du poussoir endommagé. 5. Alimentation en air inadéquate. 6. Joint torique du piston usé ou lubrification insuffisante. 7. Joints toriques de la soupape de détente endommagés. 8. Fuites d'air. 9. Fuite du capuchon d'étanchéité.	1. Remplacez le tampon. 2. Nettoyez le canal de la lame d'entraînement. 3. Nettoyez le magasin. 4. Remplacez le ressort. 5. Vérifiez le raccord, le tuyau ou le compresseur. 6. Remplacez et lubrifiez les joints toriques. 7. Remplacez les joints toriques. 8. Resserrez les vis et les raccords. 9. Remplacez la garniture.
L'outil fonctionne au ralenti ou subit une perte de puissance.	1. L'outil n'est pas suffisamment lubrifié. 2. Le ressort du couvercle du cylindre est brisé. 3. L'orifice d'échappement du couvercle est bloqué.	1. Lubrifiez la cloueuse. 2. Remplacez le ressort. 3. Remplacez les pièces internes endommagées.

Des attaches sont coincées dans l'outil.	<ol style="list-style-type: none"> <li>1. Le guide de la lame d'entraînement est usé.</li> <li>2. Les attaches ne sont pas de la bonne taille.</li> <li>3. Les attaches sont pliées.</li> <li>4. Les vis du magasin ou de l'embout sont desserrées.</li> <li>5. La lame d'entraînement est endommagée.</li> </ol>	<ol style="list-style-type: none"> <li>1. Remplacez le guide.</li> <li>2. N'utilisez que les attaches recommandées.</li> <li>3. Remplacez par des attaches non endommagées.</li> <li>4. Resserrez les vis.</li> <li>5. Remplacez la lame d'entraînement.</li> </ol>
--	---	---

### **▲ AVERTISSEMENT:**

**N'utilisez que des pièces autorisées par Freeman pour la réparation. Si vous avez des questions, composez le 1-888-669-5672 ou allez sur notre site Web au <http://www.freemantools.com>**

## **PIÈCES D'USURE**

**Des pièces de rechange peuvent être commandées sur notre site Web :**  
<http://www.freemantools.com>

## **FREEMAN**

### **GARANTIES DES PRODUITS PGP INC.**

#### Garantie limitée professionnelle de sept ans

La garantie des cloueuses Freeman est exclusivement offerte à l'acheteur initial du produit pour une durée de sept (7) ans à compter de la date d'achat originale. Prime Global Products, Inc. (PGP Inc.) garantit expressément que la cloueuse Freeman ne présentera aucun défaut de matériaux ou de fabrication, sous réserve des exceptions et des limitations contenues dans les présentes.

#### Garantie limitée professionnelle de 90 jours

La garantie des lames d'entraînement, des butoirs, des joints toriques, des pistons, des bagues de piston et des garnitures de piston de PGP Inc. (les « pièces d'usure Freeman ») qui, avec les cloueuses Freeman, forment le « produit Freeman ») est exclusivement offerte à l'acheteur initial des pièces d'usure Freeman pour une durée de quatre-vingt-dix (90) jours à compter de la date d'achat originale et couvre les défauts de matériaux ou de fabrication.

PGP Inc. choisira, à sa discrétion, de réparer ou de remplacer ou offrira le remboursement complet les produits Freeman présentant un défaut de matériaux ou de fabrication. L'acheteur initial devra retourner le produit Freeman en entier, port payé et dûment assuré, accompagné d'une preuve d'achat, à PGP Inc. ou à n'importe lequel de ses centres de service autorisés. Outre les exigences liées à l'affranchissement et à l'assurance, l'acheteur n'engagera aucuns frais pour les réparations couvertes par cette garantie.

Ces garanties ne s'appliquent pas aux défauts de matériaux ou de fabrication et aux dommages découlant de réparations ou de modifications effectuées ou tentées par un tiers, ou d'une utilisation non autorisée de pièces non conformes. Elles ne s'appliquent pas non plus si les dommages sont dus à l'usure normale, à un usage abusif, à un entretien inadéquat, à une négligence ou à un accident, ou s'ils ont été causés par l'utilisation du produit Freeman après une défaillance partielle ou avec des accessoires inappropriés.

Le produit Freeman est conçu pour une utilisation par des individus; il ne convient pas à une utilisation sur une chaîne de montage ou une chaîne de production, ni pour toute autre application commerciale. Ces garanties ne couvrent pas une telle utilisation commerciale, car celle-ci constituerait un usage abusif du produit Freeman.

**AUCUNE GARANTIE AUTRE QUE LA GARANTIE CI-DESSUS, QU'ELLE SOIT VERBALE OU ÉCRITE, EXPRESSE OU IMPLICITE, N'EST ACCORDÉE POUR CE PRODUIT FREEMAN. PGP INC. DÉCLINE TOUTE GARANTIE IMPLICITE DE QUALITÉ MARCHANDE OU D'ADÉQUATION À UN USAGE OU UN BUT PARTICULIER, DE MÊME QUE TOUTE AUTRE GARANTIE. PGP INC. NE SAURAIT EN AUCUN CAS ÊTRE TENUE RESPONSABLE DES DOMMAGES ACCESSOIRES, SPÉCIAUX, CONSÉCUTIFS OU PUNITIFS, NI DES COÛTS, HONORAIRES D'AVOCAT, DÉPENSES, PERTES OU DÉLAIS PRÉTENDUMENT CAUSÉS PAR DES DOMMAGES, DÉFAILLANCES OU DÉFAUTS DE TOUT PRODUIT, Y COMPRIS, SANS S'Y LIMITER, TOUTE RÉCLAMATION POUR DES PERTES DE PROFITS.**

Aucune autre garantie expresse ou implicite n'est consentie pour le produit Freeman. Aucun employé, agent, détaillant ou autre n'est autorisé à modifier les termes de ces garanties ou à en étendre ou en réduire la portée, ni à offrir toute autre garantie au nom de PGP Inc. Ces garanties limitées expresses contiennent l'intégralité de l'entente relative aux garanties expresses et implicites liées au produit Freeman. Aucune inscription ni aucun libellé du bon de commande ou de tout autre document ne saurait être interprété comme un ajout ou une modification des garanties de PGP Inc. pour le produit Freeman.

Toute question liée à la vente ou à l'utilisation du produit Freeman faisant l'objet de ces garanties limitées ou à l'interprétation et à l'application des termes de ces garanties limitées sera soumise aux lois de l'État de Géorgie. Tout différend découlant de la vente ou de l'utilisation du produit Freeman faisant l'objet de ces garanties limitées sera soumis au comté de Cherokee, en Géorgie. L'achat ou l'utilisation du produit Freeman vous assujettit aux avantages et aux limitations stipulés par ces garanties limitées. Par conséquent, toute assignation, tout jugement ou toute autre imposition provenant du tribunal d'une juridiction, d'un comté, d'une paroisse, d'un État, d'une province ou d'un pays autre que l'autorité mentionnée ci-dessus sera nul et inexécutable.

Certains États ou certaines provinces ne permettent pas de limitations quant à la durée des garanties implicites, de sorte que les limitations indiquées ci-dessus peuvent ne pas s'appliquer à vous. Certains États ou certaines provinces ne permettent pas l'exclusion ou la limitation des dommages accessoires ou consécutifs, de sorte que les limitations ou les exclusions mentionnées ci-dessus peuvent ne pas s'appliquer à vous.

Si un terme ou une limitation contenu dans cette garantie limitée est jugé inexécutable en vertu de la loi, ce terme sera disjoint des autres parties des garanties limitées, qui elles demeureront en vigueur.

**CES GARANTIES SONT SUJETTES À DES CHANGEMENTS SANS PRÉAVIS.**