



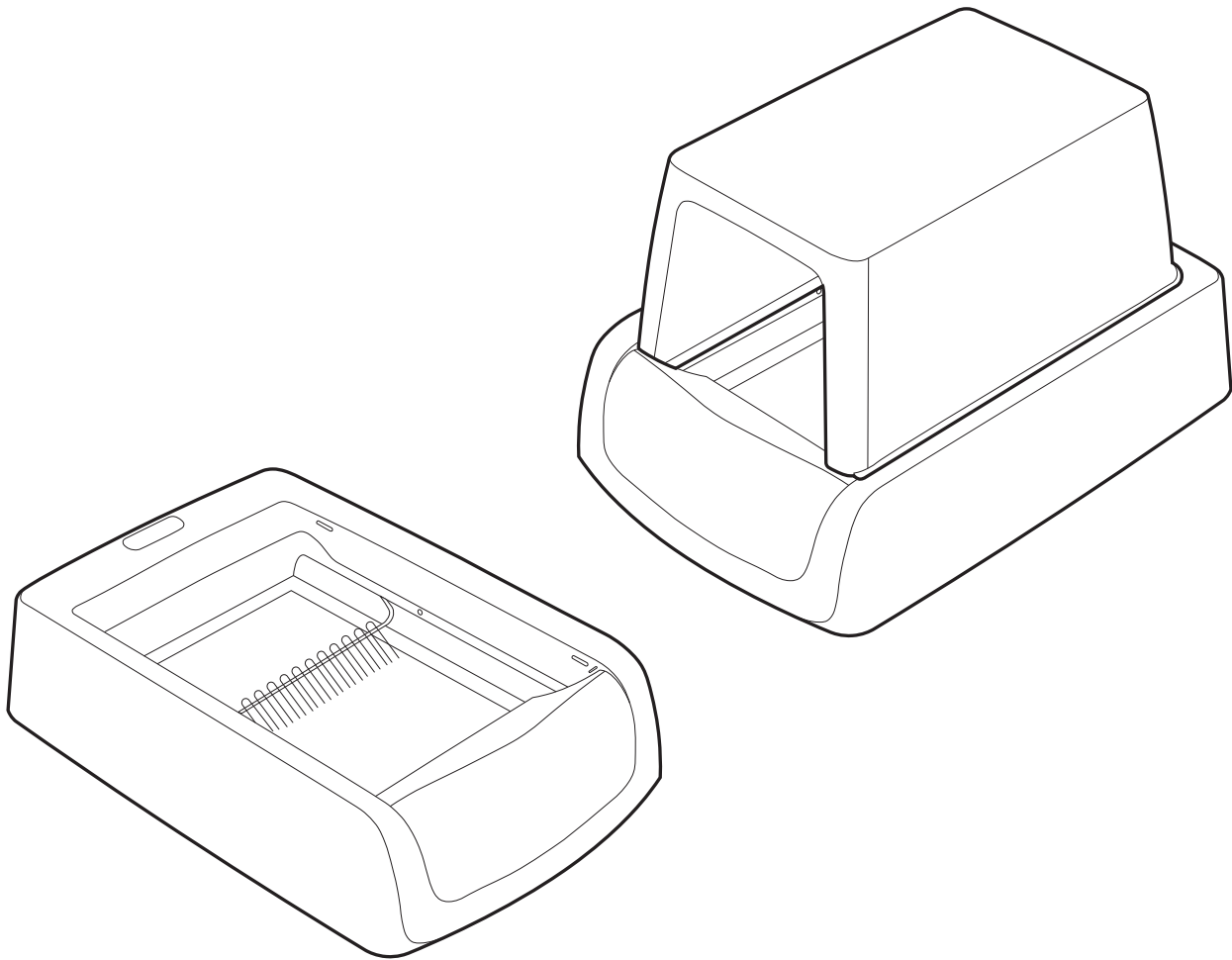
ScoopFree[®] Self-Cleaning Litter Box Product Manual

PAL00-16805

ScoopFree[®] Self-Cleaning Litter Box

PAL00-16806

ScoopFree[®] Covered Self-Cleaning Litter Box



Please read this entire Product Manual before beginning.

Welcome

You and your pet were made for each other. Our aim is to help you have the best companionship and the most memorable moments together. Your new PetSafe® ScoopFree® Self-Cleaning Litter Box automatically cleans for weeks with no scooping or refilling, so you can spend more time with your cat and less time worrying about the litter box.

We know that safe pets make happy owners. Before getting started, please take a moment to read through the important safety information. If you have any questions, please don't hesitate to contact us.

Hereinafter Radio Systems Corporation and any other affiliate or Brand of Radio Systems Corporation may be referred to collectively as "We" or "Us".

IMPORTANT SAFETY INFORMATION

Explanation of Attention Words and Symbols used in this Product Manual



This is the safety alert symbol. It is used to alert you to potential personal injury hazards. Obey all safety messages that follow this symbol to avoid possible injury or death.

⚠ WARNING

WARNING indicates a hazardous situation which, if not avoided, could result in death or serious injury.

⚠ CAUTION

CAUTION, used with the safety alert symbol, indicates a hazardous situation which, if not avoided, could result in minor or moderate injury.

CAUTION

CAUTION, used without the safety alert symbol, indicates a hazardous situation which, if not avoided, could result in harm to your pet.

NOTICE

NOTICE is used to address practices not related to personal injury.

⚠ WARNING

When using electric appliances, basic precautions should always be followed to reduce the risk of fire, electric shock and/or injury including the following:

- Read all the instructions before using the appliance.
- Do not submerge or expose the electrical components to water or cleaning solutions.
- To protect against electric shock, do not place the unit, electrical power adaptor or plug in water or other liquids. If the plug of the device gets wet, turn off the electricity to that electrical outlet. Do not attempt to unplug.
- Do not place or store unit where it can fall or be pulled into a tub or sink.
- Do not pull on the electrical power adaptor to remove the plug from the electrical outlet. To unplug, grasp the plug, not the power cord.
- Do not use accessories or attachments that are not recommended by the manufacturer as they may cause fire, electric shock or injury.
- Do not operate if the unit has a damaged electrical power adaptor or plug, if it is malfunctioning or has been damaged. Call the Customer Care Center immediately for further instructions.
- Pregnant women, babies, small children and immune-deficient individuals should avoid contact with cat litter waste. Cats' waste may contain toxoplasmosis bacteria that can be harmful to these individuals.
- Packaging material is not a toy. Keep away from children and pets.
- Keep plastic bags away from babies and small children. Do not use in cribs, beds, carriages or play pens. The thin film may cling to nose and mouth and prevent breathing.
- To reduce the risk of injury, close supervision is necessary when the unit is used by or near children. Do not allow small children to play with, in or around this device. It is not a toy.

⚠ CAUTION

- Avoid contact with moving parts.
- Do not allow anything to rest on the power cord. Do not plug in power adaptor in an area where people or animals may walk or trip on cord.
- Always unplug the unit when not in use, before putting on or taking off parts and before cleaning.
- Do not disassemble the unit while plugged in.
- The rake may move automatically when you connect the power to the litter box. Make sure there is nothing inside the litter box when you plug in the power cord.
- Wash your hands after handling used cat litter.

CAUTION

- Adult supervision is recommended during your cat's initial introduction.
- If your kitten is under 6 months of age, leave the unit UNPLUGGED and scoop waste until kitten is 6 months old.
- Not intended for use by handicapped, incapacitated or very old cats that might experience difficulty in entering or leaving the litter box.
- DO NOT ATTEMPT TO USE THIS PRODUCT FOR ANY OTHER PURPOSE. This product is designed for use with cats only. The litter box is intended solely for the safe elimination of cat waste. This device is not intended to harm, injure or provoke. Using this product in a way that is not intended could result in violation of federal, state or local laws.

NOTICE

- Remove all packaging material before connecting the power adaptor.
- Do not place litter box on an unsteady surface.
- Do not use any other type of cat litter or tray. Only use PetSafe® ScoopFree® Disposable Crystal Litter Trays and products with this litter box. The crystal litter is specially designed and pre-measured for optimal performance. Using a different type, size, too much or not enough litter can cause the litter box to malfunction. Using a different tray or litter may void the product warranty.
- Using the tray longer than recommended may result in leakage. Placing the litter box in a high humidity area, such as a bathroom or near a shower, may result in shorter tray life.
- If solid waste is collecting outside the waste trap, it is time to change the litter tray.
- Increased elimination habits of cats who consume a diet high in crude fiber, ash and by-products, cats older than 10 years of age and cats with diabetes, kidney and thyroid problems may result in a shorter litter tray life. Kittens may have softer stool than mature cats, which increases the likelihood that it may stick to the litter box rake.
- Do not use outdoors. FOR INDOOR HOUSEHOLD USE ONLY.

PetSafe® ScoopFree® Self-Cleaning Litter Boxes should be used with healthy cats. We recommend that you take your cat to a veterinarian before using the litter box if he or she is not in good health.

SAVE THESE INSTRUCTIONS

What's Covered

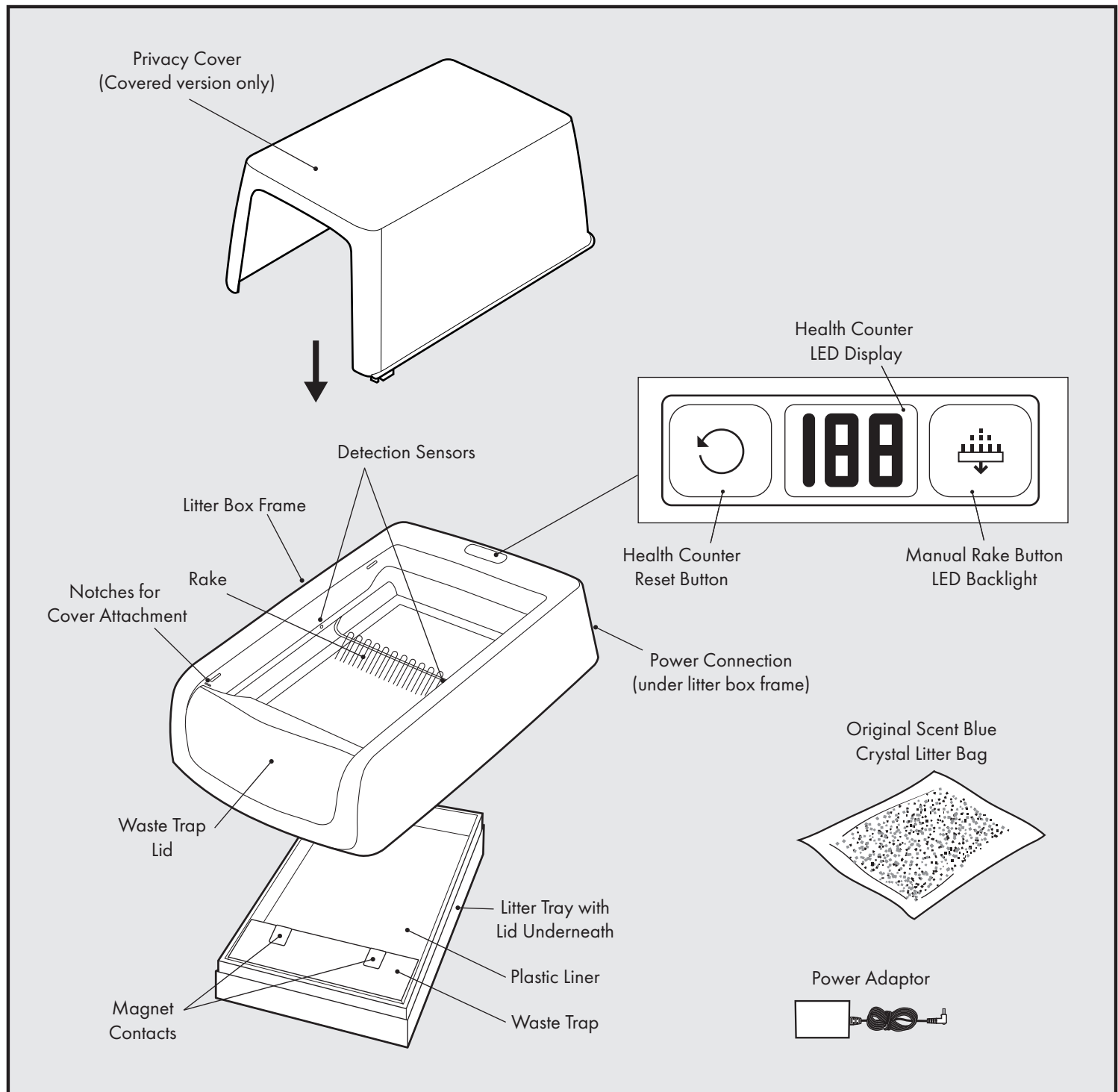
Features, Controls and Indicators.....	4
LED Light Indicator Quick Guide.....	5
Specifications and Automatic Operation.....	5
Start Here.....	5
Cover Installation.....	7
Manual Rake Button.....	7
Health Counter.....	7
Introducing Your Cat to the Litter Box.....	8
For Kittens Under 6 Months Old.....	8
Changing the Litter Tray.....	9
Maximizing Litter Tray Life.....	10
Care and Cleaning.....	10
Frequently Asked Questions.....	11
Troubleshooting.....	11
Replacement Parts and Accessories.....	12
Customer Care International.....	12
Terms of Use and Limitation of Liability.....	13
Compliance.....	13
Important Recycling Advice.....	13
Warranty.....	13

How it Works

The PetSafe® ScoopFree® Self-Cleaning Litter Box is an automatic litter box that can be left alone for weeks at a time with no scooping, cleaning or refilling! It uses disposable trays pre-filled with crystal litter so it is easy to set up, easy to use and easy to maintain. The crystal litter absorbs urine and dries solid waste instantly to remove odors instead of masking them. An automatic rake sweeps solid waste into the waste trap 20 minutes after your cat uses the litter box, so you never have to see or touch messy waste again! If your cat re-enters the box before the cleaning cycle starts, detection sensors automatically reset the rake timer. The rake then grooms the litter giving your cat a fresh bed of litter every time. Every few weeks simply remove the litter tray, cover with the lid and dispose of it in the trash for quick, hygienic cleanup. A health counter keeps track of how often your cat uses the box to help alert you to possible health problems. The privacy cover helps block odors and keep litter in the box, while giving your cat a private bathroom. PetSafe® ScoopFree® litter box gives you and your cat a consistently clean litter box you both will love.

Features, Controls and Indicators

The power adaptor is shipped in a small box. Do not discard packaging until setup is complete.



LED Light Indicator Quick Guide

LED Color (Manual Rake Button)	Litter Box Function
Solid Blue	The PetSafe® ScoopFree® litter box has power and is functioning normally with the rake in home position.
Blinking Blue	The PetSafe® ScoopFree® litter box is counting down to the rake cycle (from 20 minutes) or raking is currently in progress.
Fast Blinking Blue	The rake is paused. This only happens when the manual rake button is pushed while the rake is in motion.
Blue with Red Flashes	A mechanical error has occurred during the rake cycle. Check for any obstructions around the rake and remove them if necessary. To reset, press the manual rake button and the rake should finish the cycle and return to home position. If the error persists, the LED will change to solid red.
Solid Red	A mechanical error has occurred that cannot be fixed by pressing the manual rake button. Please call our Customer Care Team at +1 (800) 732-2677 for assistance.

Specifications and Automatic Operation

Cleaning Cycle:

- Detection sensors recognize when your cat is inside the litter box. A timer starts a 20 minute countdown after your cat leaves the litter box to run the cleaning cycle. When the timer countdown begins, the LED light on the display will blink blue.
- If your cat returns to the litter box during the timer countdown, the timer stops. The timer countdown will reset when your cat leaves the litter box again.
- Cleaning cycle automatically runs 20 minutes after your cat leaves the litter box and rakes solid waste into the waste trap.
- Use the manual rake button to run the cleaning cycle at any time.

Cat Usage:

- For single or multiple-cat homes.
- Best for cats under 15 lb.
- It is recommended to have more than one litter box for more than two cats.

CAUTION

If your kitten is under 6 months of age, leave the unit UNPLUGGED and scoop waste until kitten is 6 months old.

Litter Type:

- Only use PetSafe® ScoopFree® Disposable Crystal Litter Trays. The crystal litter is specially designed and pre-measured to work with PetSafe® ScoopFree® Self-Cleaning Litter Boxes. The crystal litter absorbs urine and dries solid waste to remove odors. The crystal litter DOES NOT CLUMP.
- DO NOT use any type of clay litter, natural litter or any other crystal litter.
- DO NOT use any other tray. Only use PetSafe® ScoopFree® products.

Power:

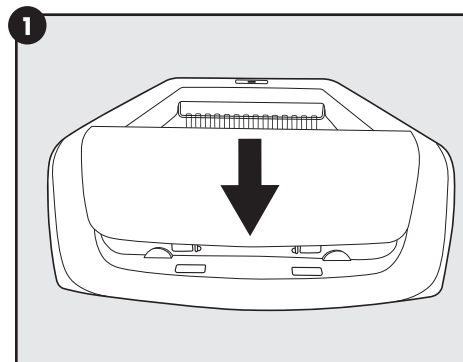
- Low-Voltage AC Power Adaptor Operated.

Start Here

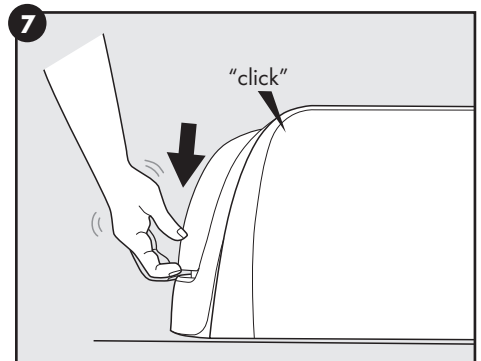
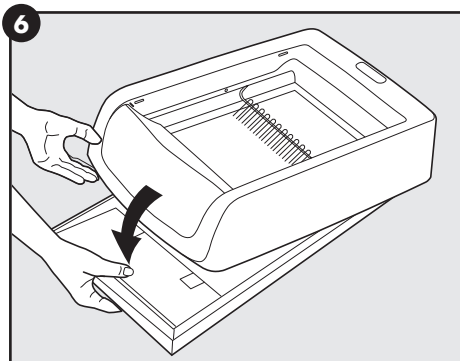
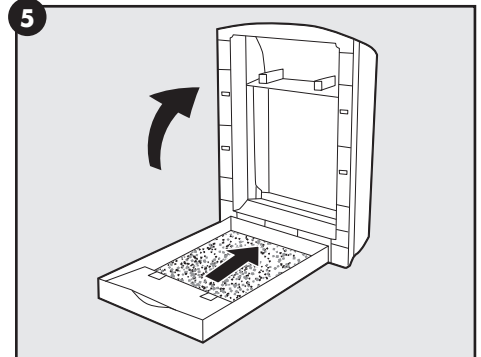
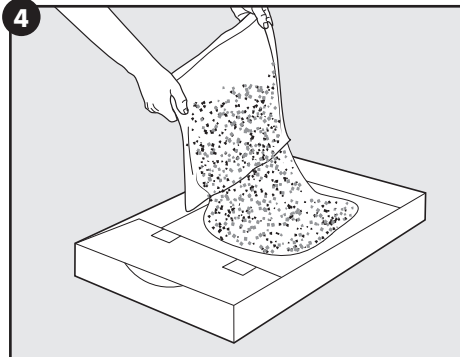
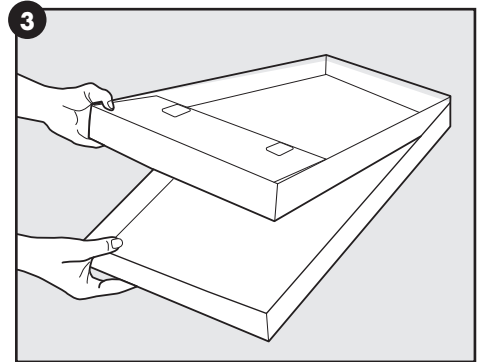
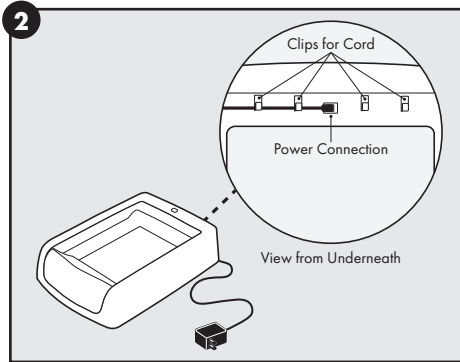
Litter Box Setup

Your ScoopFree® Self-Cleaning Litter Box is packaged for protection during shipping. Please remove all packaging material carefully. The power adaptor is shipped inside the packaging material. DO NOT discard packaging until you complete product setup.

1. Make sure the waste trap lid is installed properly. To install the waste trap, align the pegs at the bottom of the waste trap lid with the notches at the front of the litter box frame. Push the waste trap lid down until it snaps fully into place.



2. Find a clean, dry and level location with a standard power outlet nearby. Insert the barrel end of the power adaptor into the connection under the back of the litter box frame. Push the cord into the slot on either side of the adaptor connection to help keep it in place. Plug the power adaptor into the wall outlet. If the rake is not at the home position, it will automatically move to home position when power is connected. After the rake stops, the LED light will illuminate solid blue.
3. Place the lid under the litter tray. The lid is extra protection against leaks and will be used later for disposal. Record the litter tray installation and change the dates on the waste trap (see "Changing the Litter Tray" on page 9 for recommended litter tray replacement to help determine the change date).
4. Open the crystal litter bag by tearing the bag across the top. Empty the crystal litter into the litter tray and spread the litter evenly within the tray. For best results, sprinkle one handful of the litter under the waste trap.
5. Lift the litter box frame and place the litter tray under the litter box frame with the waste trap on the tray below the waste trap lid on the litter box. Slide the back of litter tray against the back of the litter box.
6. Lower the litter box onto the litter tray.
7. You should hear a click, which confirms the magnets on the waste trap lid have connected to the magnet contacts on the litter tray. Make sure the litter box is level and sitting over the litter tray and that the LED light is a solid blue. If the light is flashing, level out the litter so it is not blocking the detection sensors. Once the indicator light is solid blue, your litter box is ready for use.



⚠ WARNING

Packaging material is not a toy. Keep away from children and pets. Keep plastic bags away from babies and small children. Do not use in cribs, beds, carriages or play pens. The thin film may cling to nose and mouth and prevent breathing.

⚠ CAUTION

- Do not allow anything to rest on the power cord. Do not plug in power adaptor in an area where people or animals may walk or trip on cord.
- The rake may move automatically when you connect the power to the litter box. Make sure there is nothing inside the litter box when you plug in the power cord.

NOTICE

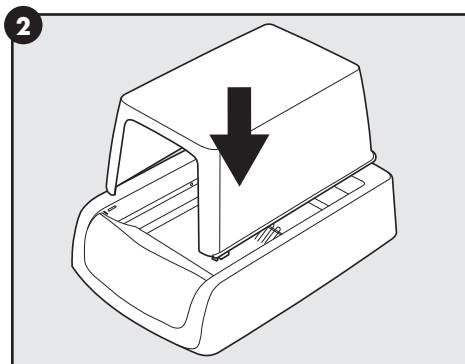
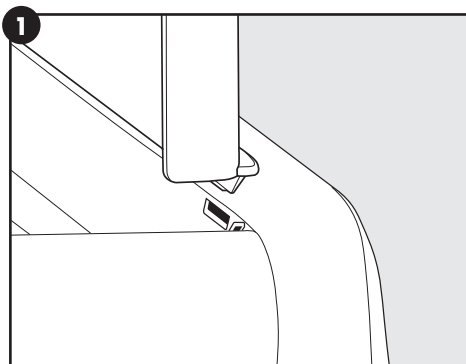
Do not use any other type of cat litter or tray. Only use PetSafe® ScoopFree® Disposable Crystal Litter Trays and products with this litter box. The crystal litter is specially designed and pre-measured for optimal performance. Using a different type, size, too much or not enough can cause the litter box to malfunction. Using a different tray or litter may void the warranty.

Cover Installation

Note: The Privacy Cover is only included with the PetSafe® ScoopFree® Covered Self-Cleaning Litter Box, but may be purchased separately as an accessory (see “Replacement Parts and Accessories” page 12).

The removable cover adds more comfort and privacy for your cat along with better litter containment and odor control.

1. Place the cover on the litter box so that all four pegs on the base of the cover are aligned with the notches along the inside of the litter box base.
2. Press down on the cover firmly enough to ensure that all four pegs have snapped into place.

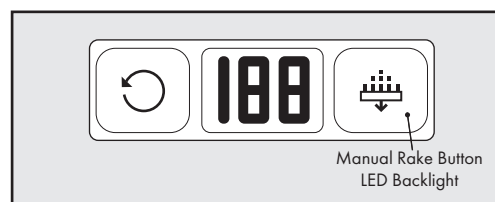


Manual Rake Button

Although the PetSafe® ScoopFree® Self-Cleaning Litter Box is designed to automatically clean the litter box, you may manually run the cleaning cycle before the timer countdown by pushing the manual rake button on top of the litter box.

Push the manual rake button once to begin the cleaning cycle.

1. To stop the cleaning cycle and rake from moving, push the manual rake button again.
2. If the rake stops somewhere other than the home position at the back of the litter box, push the manual rake button to return the rake to home position. If the rake has been manually paused somewhere other than the home position, it will automatically return to home position after 10 minutes of inactivity.

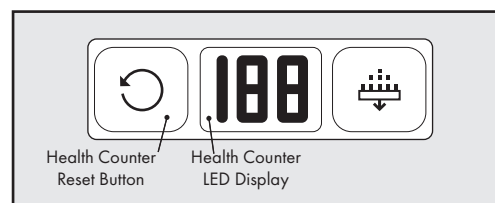


Health Counter

The health counter keeps track of your cat's litter box activity to help better understand when to change the litter tray. It can also help monitor your cat's health. Irregularities in how frequently your cat uses the litter box might be a sign of a problem. Share your cat's litter box usage with your veterinarian.

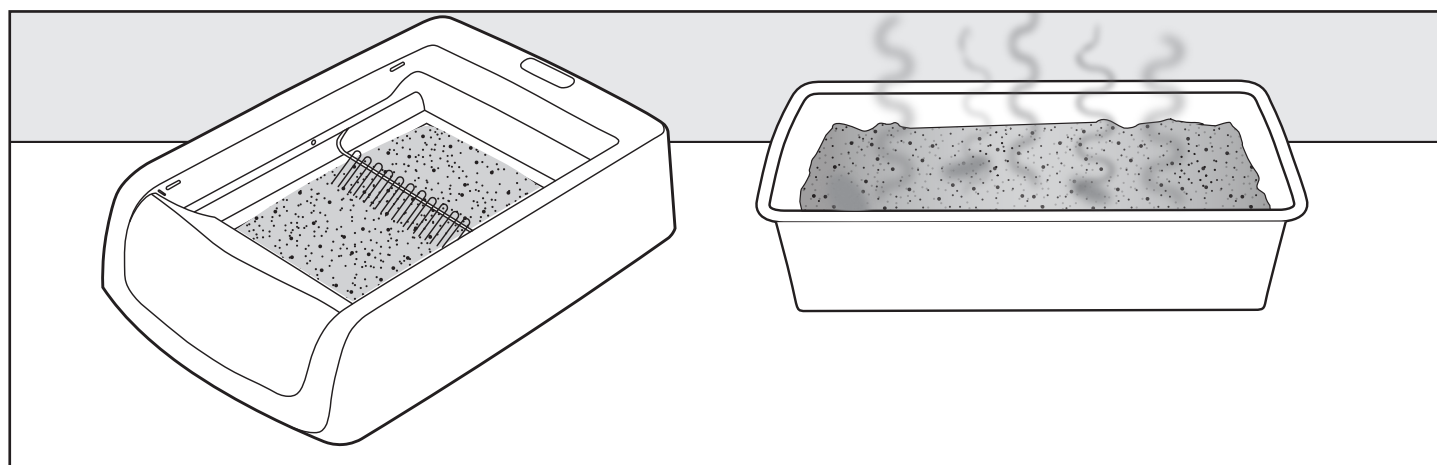
The health counter automatically increases by 1 each time the rake completes a cycle. This includes any time the manual rake button is used.

1. To reset the counter, press and hold the health counter reset button next to the counter display for 3 seconds or until the display resets to 0. We suggest you reset the counter each time you replace the litter tray.



Introducing Your Cat to the Litter Box

Most cats easily adapt to the PetSafe® ScoopFree® Self-Cleaning Litter Box. Some cats may need an adjustment period to help acclimate to their new litter box. Here are a few tips to help with the transition:



1. Place the new PetSafe® ScoopFree® Self-Cleaning Litter Box next to your cat's current litter box. Allow your cat to have access to the old and new litter boxes for at least a week. This time may vary depending on the temperament of your cat.
2. Add a few handfuls of your cat's old litter to the crystal litter tray. You can also add a few handfuls of the crystal litter to your cat's old litter box.
3. Stop cleaning your cat's old litter box, allowing it to remain dirty. Cats prefer a clean litter box, so as the litter in the old litter box gets shallow and its odor increases, this should make the PetSafe® ScoopFree® Self-Cleaning Litter Box more appealing.
4. Once your cat has transitioned to the PetSafe® ScoopFree® Self-Cleaning Litter Box, remove the old litter box from the area.

For Kittens Under 6 Months Old

CAUTION

If your kitten is under 6 months of age, leave the unit UNPLUGGED and scoop waste until kitten is 6 months old.

Place the tray with the crystal litter under the litter box frame and remove the waste trap lid on the front of the litter box to make it easier for the kitten to enter and exit. Once your kitten is 6 months old, plug in the PetSafe® ScoopFree® Self-Cleaning Litter Box and replace the waste trap lid for a box that is hassle-free and consistently clean.

Litter Box Tips for Kittens:

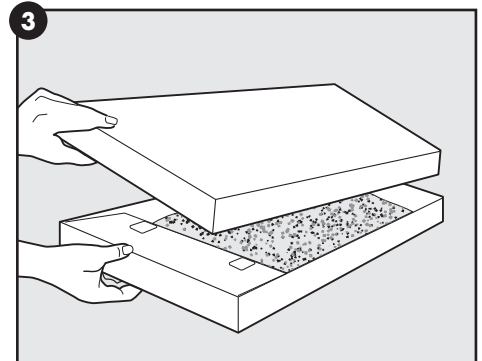
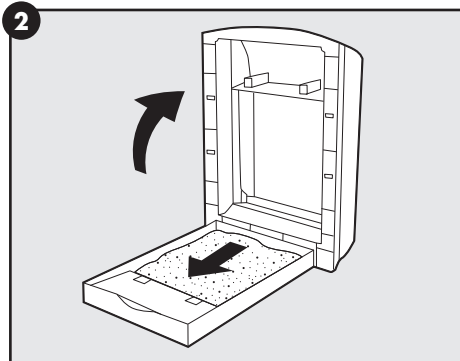
- Kittens will need to use the bathroom after eating, playing or napping. It is a good idea to place your kitten in the litter box after these activities to help them understand that this is the appropriate place to go to the bathroom.
- Place the litter box away from the kitten's food and water bowl. In the wild, cats use the bathroom away from where they eat and drink as a defense from predators. Placing the litter box near the kitten's food or water could lead to "going outside the litter box" issues.
- For a kitten, the litter box needs to be in a location that is really easy to find since they do not have great bladder control. Getting all the way across the house or down a flight of stairs to find the litter box could result in accidents.
- The litter box should be placed in an open area where your kitten can easily see it. The location should also be safe and quiet so your kitten is not distracted or worried about being startled, such as by loud noises or the family dog.
- Just like you, your kitten likes it clean. Scoop out waste often and change the litter tray every few weeks.
- A kitten's litter box usage is more frequent than that of an adult cat. Stir litter crystals once a week to distribute saturated crystals to better accommodate high urine output.




Note: Although the PetSafe® ScoopFree® Self-Cleaning Litter Box is quiet when running and only runs after use, you may want to leave it unplugged for a few days so your cat can get used to it without any distractions. If you leave it unplugged, you need to manually scoop solid waste until your cat is fully transitioned. Also if you are using a cover on the PetSafe® ScoopFree® litter box and have not used one in the past, you may want to remove it until your cat is using the PetSafe® ScoopFree® litter box for its litter box.

Changing the Litter Tray

Do not add litter or remove waste during normal operation. The crystal litter will remain clean for weeks at a time. See the chart below for the recommended litter tray replacement schedule.

1. Jiggle the litter box to reduce litter that may have accumulated behind the rake. This will help reduce or prevent litter spillage that may occur when lifting the litter box.
2. Lift the litter box and remove the litter tray.
3. Remove the lid from under the litter tray, and cover the top of the tray. Secure the lid with tape if desired or place within a drawstring garbage bag.
4. Throw the used litter tray into trash.
5. Install a new litter tray (see "Litter Box Setup" page 6).



Recommended Litter Tray Replacement Chart*	
	20 - 30 Days
	10 - 15 Days
	7 - 10 Days

* Depending on cat age, weight, health and diet

⚠ WARNING

Pregnant women, babies, small children and immune deficient individuals should avoid contact with cat litter waste. Cats' waste may contain toxoplasmosis bacteria that can be harmful to these individuals.

NOTICE

- If solid waste is collecting outside the waste trap, it is time to change the litter tray.
- Increased elimination habits of cats who consume a high diet high in crude fiber, ash and byproducts, cats older than 10 years of age and cats with diabetes, kidney and thyroid problems may result in shorter tray life. Kittens may have softer stool than mature cats, which increases the likelihood that it may stick to the rake.
- Using the tray longer than recommended may result in leakage. Placing the litter box in a high humidity area, such as a bathroom or near a shower, may result in shorter tray life.

Maximizing Litter Tray Life

Here are some tips to help get the most life from the PetSafe® ScoopFree® Disposable Crystal Litter Tray:

- The crystal litter trays work best if placed AWAY from areas of high humidity such as bathrooms, showers and basements. Moisture in the air can shorten the life of the crystal litter and disposable tray. Place the PetSafe® ScoopFree® litter box in a room with moving air to pull away moisture, such as a room with a fan.
- Cats with diets high in crude fiber and ash content will produce more solid waste, which may prematurely fill the waste trap. Consider changing your cat's diet to a food with no byproducts or fillers.
- Increased elimination habits of older cats and cats with diabetes, kidney and thyroid problems may result in a shorter tray life.
- Stirring the crystals once a week may help the tray life for cats that are ill or have a high urine output. Stirring will also distribute saturated crystals, which will also help with cats who consistently urinate in the same spot or do not dig. Be sure to mix in the crystal litter from behind the rake and along the sides of the litter box, but do not mix in litter from under the waste trap.
- Kittens are not as developed, so their solid waste can be runny. Kittens will go through litter trays faster than adult cats, so it is recommended to use PetSafe® ScoopFree® litter box with cats that are older than 6 months.

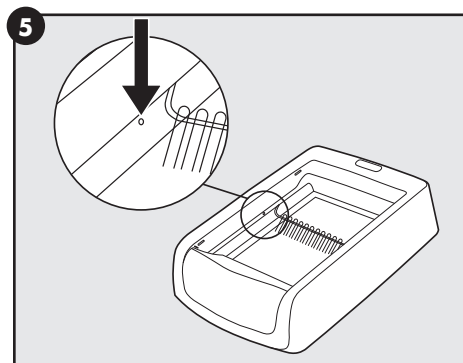
CAUTION

If your kitten is under 6 months of age, leave the unit UNPLUGGED and scoop waste until kitten is 6 months old.

Care and Cleaning

The PetSafe® ScoopFree® Self-Cleaning Litter Box seldom needs to be cleaned because of its revolutionary design. Surfaces that would normally become soiled are discarded with each disposable litter tray. However, you may occasionally choose to clean the litter box.

1. Unplug the power adaptor from the wall outlet, and disconnect it from the litter box.
2. Lift and remove the litter box frame from the crystal litter tray.
3. Remove the waste trap lid by lifting it up until it pops out of the notches on the litter box base. Be sure to pull straight up on the waste trap lid when removing it. Do not pull up one side at a time! Pulling one side up first can result in the pegs at the base of the waste trap cover getting caught in the notches on the litter box frame and breaking off.
4. Wipe all surfaces on the litter box frame with a cloth or sponge using mild soap and water. Wipe the rake with a sponge or soft brush. DO NOT use bleach or chemicals to clean as they can act as a repellent to your cat.
5. Clean the detection sensors on the interior sides of the litter box frame to make sure they are not blocked.
6. Thoroughly dry all parts before reassembling the litter box.
7. Replace the waste trap lid, and install a new litter tray (see "Litter Box Setup" on page 6).



⚠ WARNING

Do not submerge or expose the electrical components to water or cleaning solutions.

⚠ CAUTION

Always unplug the unit when not in use, before putting on or taking off parts and before cleaning.

FREQUENTLY ASKED QUESTIONS

Can the PetSafe® ScoopFree® Self-Cleaning Litter Box be used with multiple cats?	The ScoopFree® litter box was designed for use with one or two cats. If you have more than two cats, it is recommended to have at least one litter box for every two cats.
How will I know when to change the litter tray?	<p>You should change the litter tray when either of the following occurs:</p> <ul style="list-style-type: none"> • The crystal litter is saturated. As the crystals absorb urine, the litter will start to turn yellow. Once the majority of the litter turns yellow, the crystals are nearing their saturation point. When the crystals can no longer absorb any more moisture, you may start to notice an odor from the urine. • The waste trap is full. When the waste trap is full, the waste trap cover will not close completely. You may see small pieces of solid waste sticking out from underneath the lid. You may also start to notice an odor from the solid waste. <p>See “Maximizing Litter Tray Life” on page 10 to help get the most life from the disposable crystal litter trays.</p>
What if my cat goes back into the box soon after it’s been used?	The rake will not clean if a cat is in the litter box because it will be obstructing the detection sensors. The countdown timer will reset itself, and the rake will begin to clean 20 minutes after your cat leaves the litter box again.
What are the differences between the original scent, lavender and sensitive crystal litter trays?	The original scent crystal litter is a light, fresh scent, while the lavender crystals have a light, soothing lavender scent. The sensitive crystals are free of all perfumes and dyes for sensitive cats and owners.

Troubleshooting

The answers to these questions should help you solve any problems you have with your PetSafe® ScoopFree® Self-Cleaning Litter Box. If they do not, please contact our Customer Care Center at +1 (800) 732-2677 or visit our website at www.petsafe.com.

TROUBLESHOOTING

Blue LED light is flashing red and goes to solid red after pressing the manual rake button	<ul style="list-style-type: none"> • Check for obstructions around the rake, and remove them if necessary. • Make sure the magnets on the waste trap lid are properly attached to the metal tabs on the litter tray. • Check to see if the detection sensors are dirty or obstructed, and clean them if necessary. • Check if the waste trap is full. If so, change the litter tray. • Ensure the litter is evenly distributed, and never add extra litter. • Unplug the litter box, wait 10 seconds and plug it back in. The rake should return to home position, and the LED light should be solid blue. • If the above troubleshooting tips do not fix the issue, call our Customer Care Center.
Magnets on waste trap cover do not attach to litter tray	<ul style="list-style-type: none"> • The waste trap lid may not be properly installed. See “Care and Cleaning” on page 10 to remove and reinstall the waste trap lid. • Press down on the waste trap lid or lift the waste trap on the litter tray until you hear a “click,” indicating the magnets have attached to the tray.
Litter box frame is not level on litter tray	The litter box should rest on the litter tray when installed, not on the floor. Make sure the litter box is completely level on the litter tray (see “Litter Box Setup” on page 6).

Replacement Parts and Accessories

PetSafe® ScoopFree® Disposable Crystal Litter Trays or other replacement parts and accessories for your PetSafe® ScoopFree® Self-Cleaning Litter Box can be purchased at pet retailers, by visiting www.petsafe.com or by contacting our Customer Care Center at +1 (800) 732-2677. You can sign up for a crystal litter tray home delivery subscription service on our website or by contacting our Customer Care Center. With a subscription service, crystal litter trays will automatically be delivered to your door as frequently as you choose. Visit www.petsafe.com for more information.

Part Number	Description
ZAC60-16815	PetSafe® Cat Litter Mat, Large
ZAC60-16816	PetSafe® Cat Litter Mat, Extra Large
PAC00-16810	PetSafe® ScoopFree® Privacy Cover
PAC00-14229	PetSafe® ScoopFree® Original Scent Blue Crystal Litter Tray- 1-Pack
PAC00-14231	PetSafe® ScoopFree® Original Scent Blue Crystal Litter Trays- 3-Pack
PAC00-14377	PetSafe® ScoopFree® Original Scent Blue Crystal Litter Trays- 6-Pack
PAC00-15431	PetSafe® ScoopFree® Lavender Crystal Litter Tray- 1-Pack
PAC00-16689	PetSafe® ScoopFree® Original Scent Lavender Crystal Litter Trays- 3-Pack
PAC00-15654	PetSafe® ScoopFree® Lavender Crystal Litter Tray- 6-Pack
PAC00-14232	PetSafe® ScoopFree® Sensitive Crystal Litter Tray- 1-Pack
PAC00-14234	PetSafe® ScoopFree® Sensitive Crystal Litter Trays- 3-Pack
PAC00-14378	PetSafe® ScoopFree® Sensitive Crystal Litter Trays- 6-Pack
PAC00-16932	PetSafe® ScoopFree® Power Adaptor

Customer Care International

USA & Canada - Tel: +1 (800) 732-2677 – Monday - Friday 8 AM - 8 PM, Saturday 9 AM - 5 PM

Australia - Tel: 1800 786 608 – Monday - Friday 8:30 AM - 5 PM

New Zealand - Tel: 0800 543 054 – Monday - Friday 10:30 AM - 7 PM

Terms of Use and Limitation of Liability

1. Terms of Use

This Product is offered to you conditioned upon your acceptance without modification of the terms, conditions and notices contained herein. Usage of this Product implies acceptance of all such terms, conditions and notices.

2. Proper Use

This Product is designed as an automatic litter box system for your pet. If you are unsure whether this is appropriate for your pet, please consult your veterinarian, certified trainer or contact our Customer Care Center or visit our website at petsafe.com. Proper use includes reviewing the entire Operating Guide for your Product and any specific Caution statements.

3. No Unlawful or Prohibited Use

This Product is designed for use with pets only. This device is not intended to harm, injure or provoke. Using this Product in a way that is not intended could result in violation of Federal, State or local laws.

4. Limitation of Liability

In no event shall Radio Systems Corporation be liable for any direct, indirect, punitive, incidental, special or consequential damages or any damages whatsoever arising out of or connected with the use or misuse of this Product. Buyer assumes all risks and liability from the use of this Product.

5. Modification of Terms and Conditions

Radio Systems Corporation reserves the right to change the terms, conditions and notices under which this Product is offered.

Compliance

FCC: USA

This device complies with part 15 of the FCC Rules. Operation is subject to the following two conditions: (1) This device may not cause harmful interference, and (2) this device must accept any interference received, including interference that may cause undesired operation.

Note: This equipment has been tested and found to comply with the limits for a Class B digital device, pursuant to part 15 of the FCC Rules. These limits are designed to provide reasonable protection against harmful interference in a residential installation. This equipment generates, uses, and can radiate radio frequency energy and, if not installed and used in accordance with the instructions, may cause harmful interference to radio communications. However, there is no guarantee that interference will not occur in a specific installation. If interference does occur to radio or television reception, which can be determined by turning the equipment off and on, the user is encouraged to try to correct the interference by one or more of the following measures:

- Reorient or relocate the receiving antenna.
- Increase the separation between the equipment and the receiver.
- Connect the equipment to an outlet on a circuit different from that to which the receiver is connected.
- Consult customer care, the dealer, or an experienced radio/TV technician for help.

CAUTION: Modification or changes to this equipment not expressly approved by Radio Systems Corporation may void the user's authority to operate the equipment.



Important Recycling Advice

Please respect the Waste Electrical and Electronic Equipment regulations in your country. This equipment must be recycled. If you no longer require this equipment, do not place it in the normal municipal waste system. Please return it to where it was purchased in order that it can be placed in our recycling system. If this is not possible, please contact the Customer Care Centre for further information. For a listing of Customer Care Centre telephone numbers, visit our website at www.petsafe.com.

Warranty

One Year Non-Transferable Limited Warranty

This Product has the benefit of a limited manufacturer's warranty. Complete details of the warranty applicable to this Product and its terms can be found at petsafe.com and/or are available by contacting your local Customer Care Center: Radio Systems Corporation, 10427 PetSafe Way, Knoxville, TN 37932 USA.





Radio Systems Corporation
10427 PetSafe Way
Knoxville, TN 37932
+1 (800) 732-2677
petsafe.com
SFE400-2352
©2019 Radio Systems Corporation