



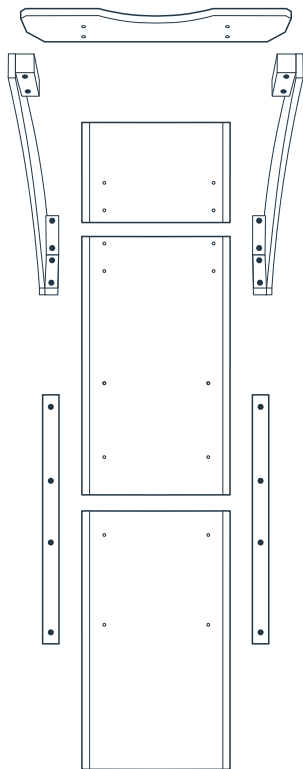
Get started!



CozyUp™ WOOD BEDSIDE RAMP

Let's make home sweet home even sweeter.

What you have



x20



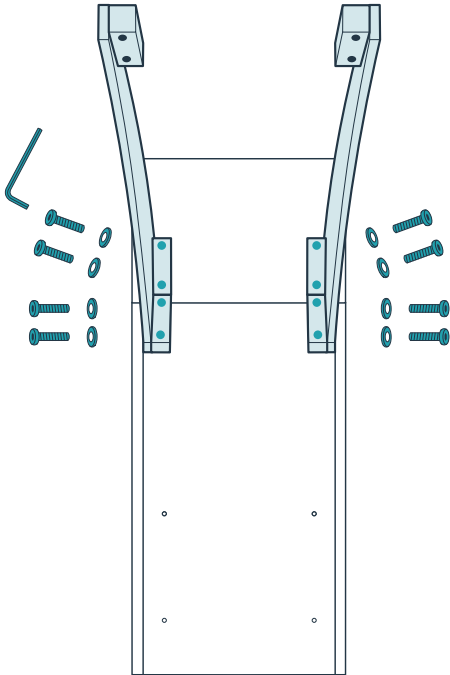
x20



x4

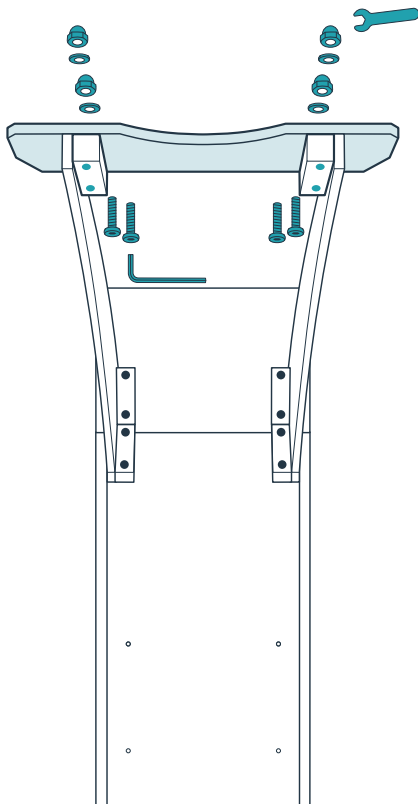


1



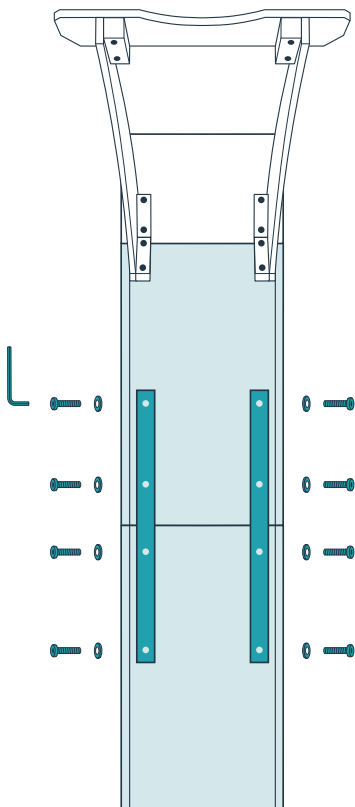
First, attach the legs to the top platform using four screws and washers. Next, attach the legs to the middle platform using four screws and washers. Wait until all the screws are in place before you tighten them.

2



Attach the leg brace with four screws, washers and cap nuts. Insert the screws through the legs and then through the leg brace.

3



Attach the straight support braces to the middle and bottom platforms with eight screws and washers.

Before using the ramp, make sure all the screws are fully tightened. Turn the ramp upright and place it next to the bed or other surface you want your pet to reach.

4



You're almost there! Offer treats to gently encourage your pet to practice walking up and down the ramp.

With a little patience and lots of praise, your pet will soon be happy using the ramp on his own!

Let us help!

For questions or additional tips:

+1 (800) 732-2677

petsafe.com

1-Year Warranty

©2019 Radio Systems Corporation

Models: 62399, PTV00-16821 | Z400-2266

For important safety information, please see the customer care guide.

live *happy* together™