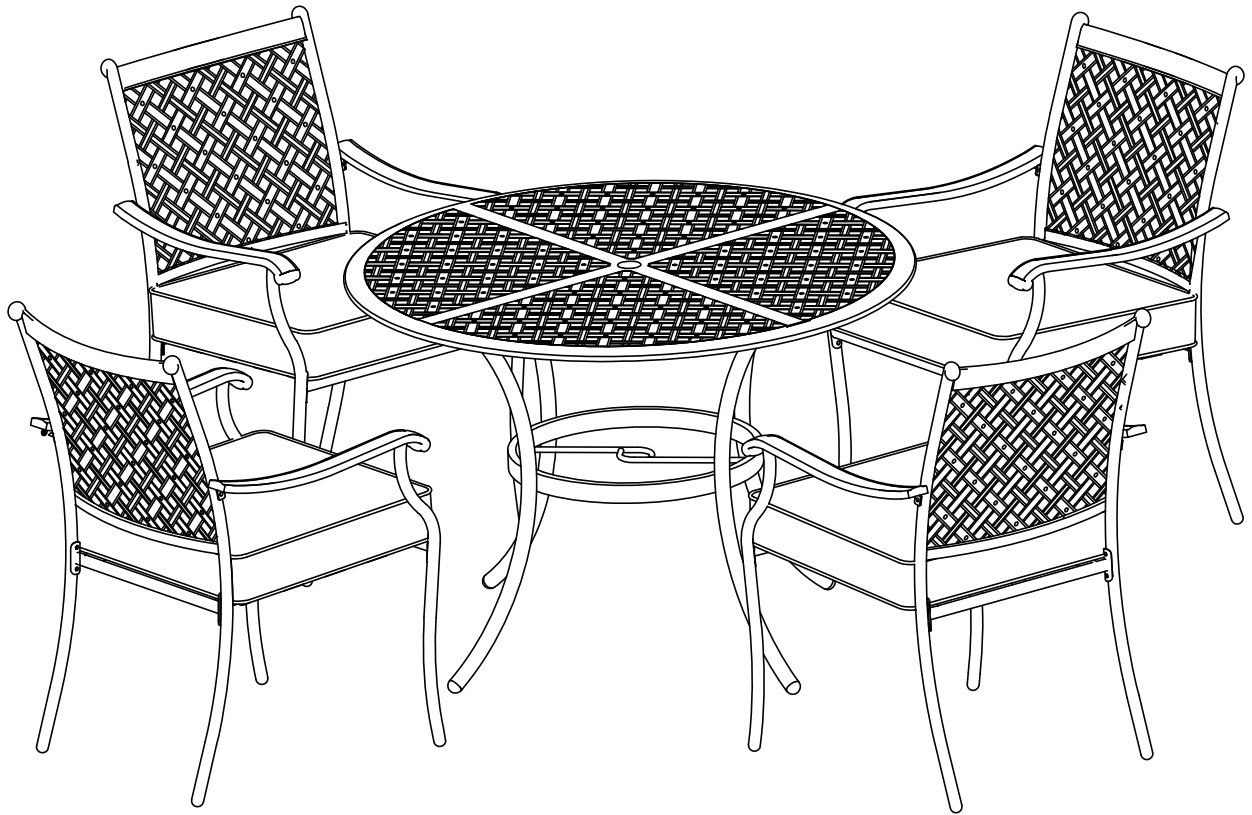


ITEM No.:A201004002

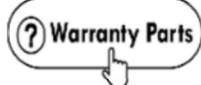


WE HAVE YOU IN MIND, LET US SERVE YOU!

Questions? Issues?

CONTACT US

24 hours / 7 days a week



Warranty Parts

www.sunjoyonline.com



customer.care@sunjoygroup.com

Toll Free



1-(866)-578-6569

Safety Information

- One people are required for this assembly.
- Some parts may contain sharp edges. Wear protective gloves.
- When assembling and using this product, basic safety precautions should always be followed to reduce the risk of personal injury and damage to equipment. Please read all instructions before assembly and usage.



CAUTION: Standing on or misuse of table may result in damage or injury.
Not intended for commercial use.

NOTICE: For outdoor use only.



WARNING:

Keep all children and pets away from assembly area. Children and pets should be supervised when they are in the area of the Chair construction.

Keep assembly area at least 6 feet from any obstruction such as a fence, garage, house, overhanging branches, laundry line or electrical wires.

Check all bolts for tightness before use. IMPORTANT - check and tighten bolts often to keep them secure!

Warranty: 1 Year

WHAT IS COVER?

The limited warranty is extended to the original purchaser and applies to material and manufacturer's defect provided the item is maintained with care and used only for personal, residential purposes.

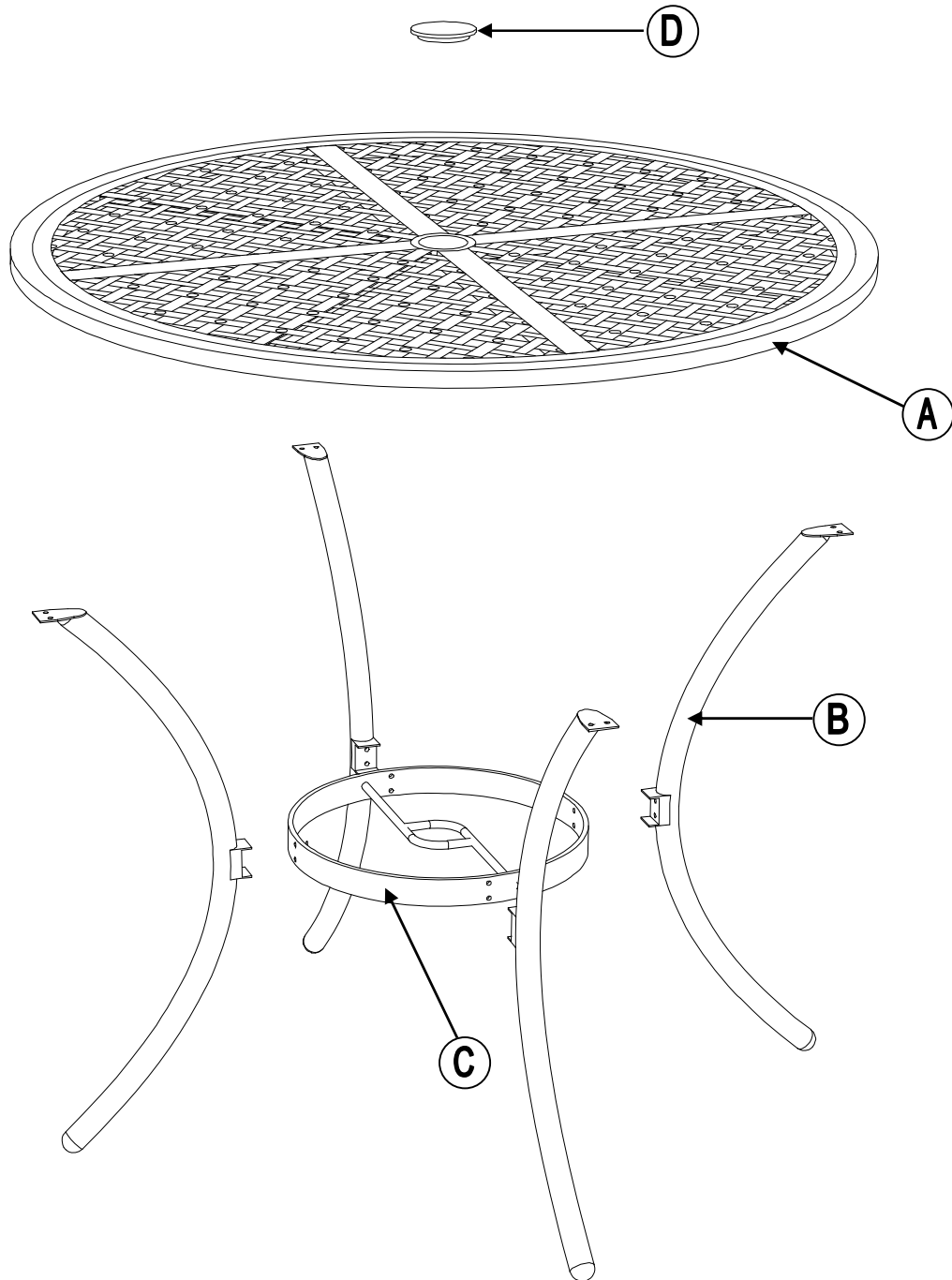
IMPORTANT



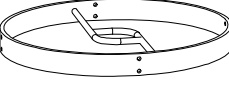

KEEP THIS INSTRUCTION MANUAL FOR FUTURE REFERENCE.

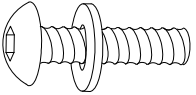
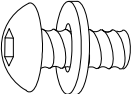


How many people needed for the installation work



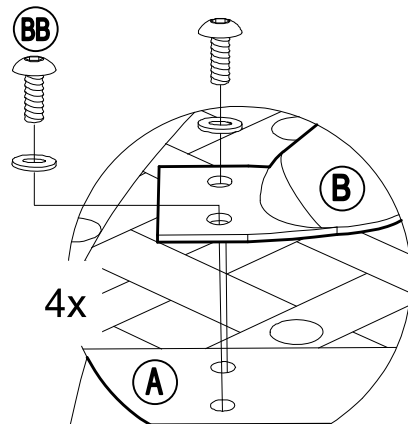
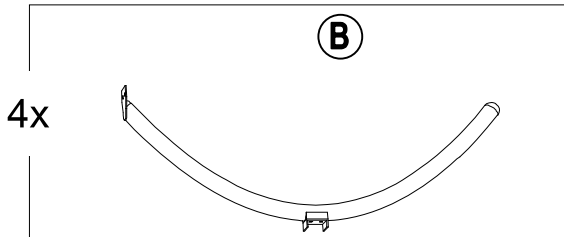
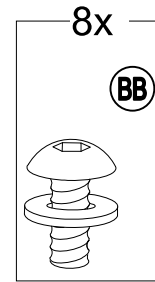
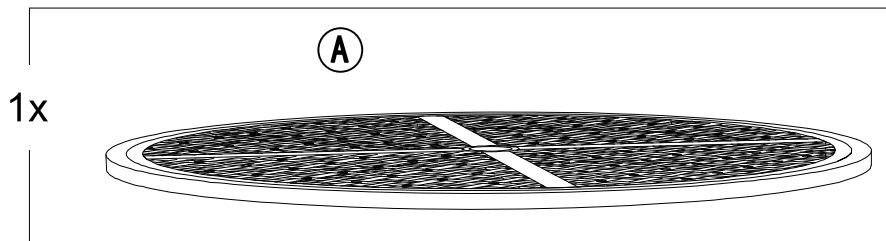
EXPLODED DRAWING



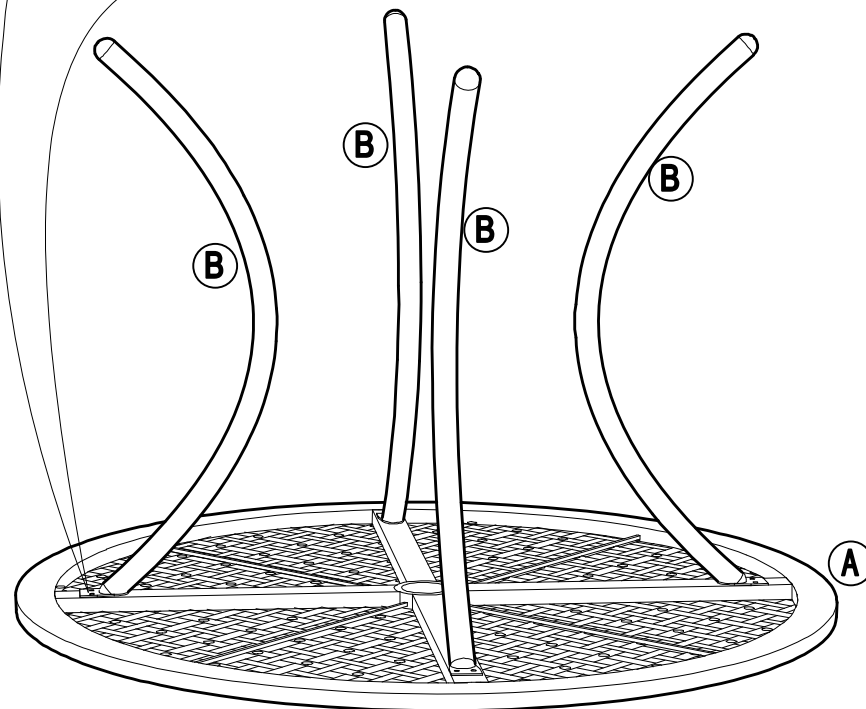
Parts List				
Label	Part Number	Description	Qty	Part Image
A	P002100315	Table Top	1	
B	P005400392	Leg	4	
C	P005000396	Support frame	1	
D	P006500024	Umbrella hole cap	1	

Hardware Pack				
Label	Part Number	Description	Qty	Part Image
AA	H100010024	Bolt M6* 28 Flat washer M6	8	
BB	H100010023	Bolt M6* 15 Flat washer M6	8	
CC	R070070032	Foot Pad (pre-assembled)	4	
DD	H090030002	Allen Key Size 4	1	

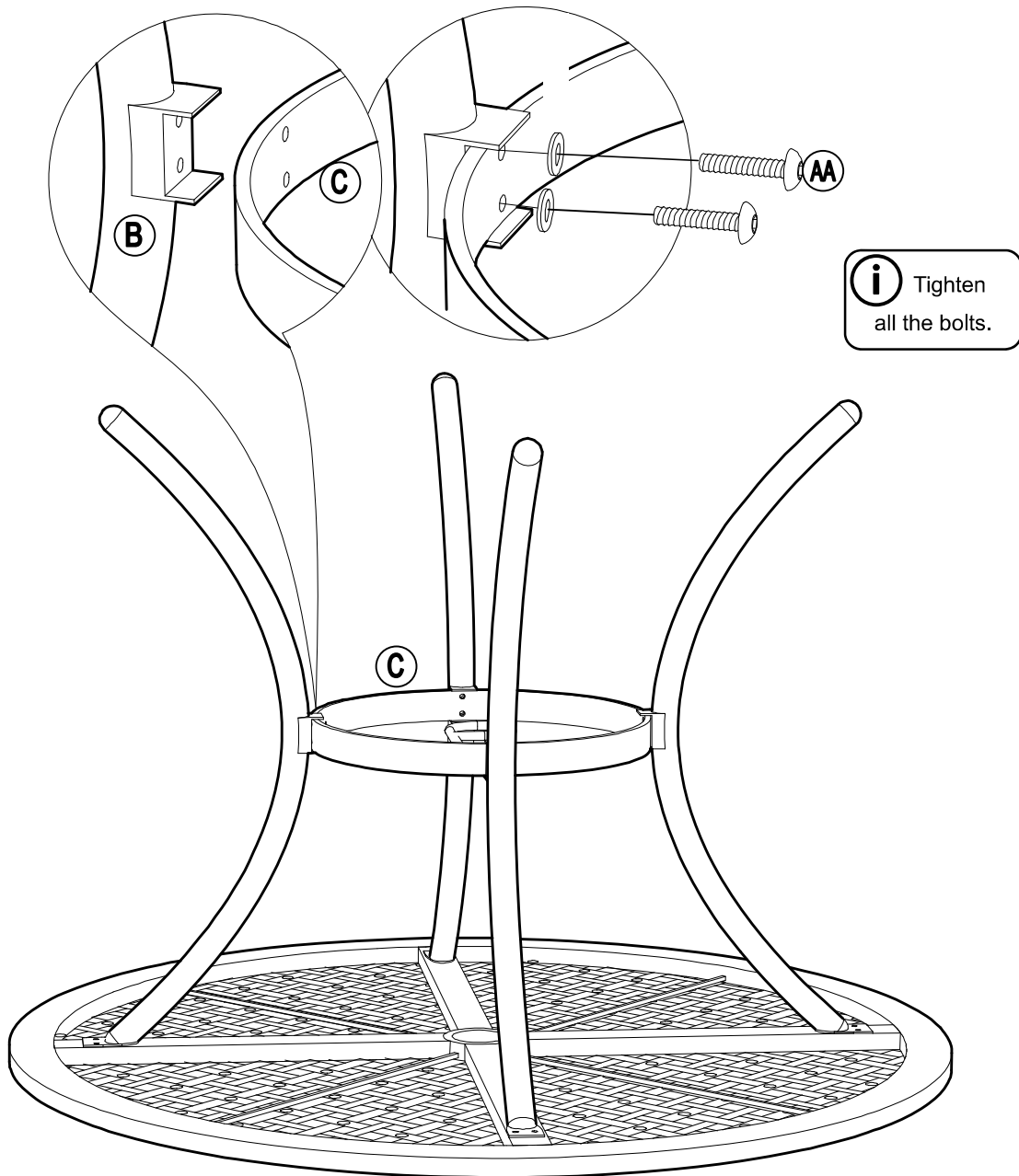
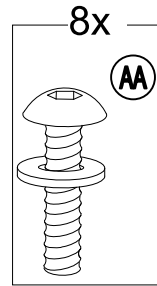
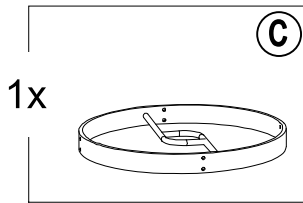
STEP 1: Assembly of Leg And Support frame



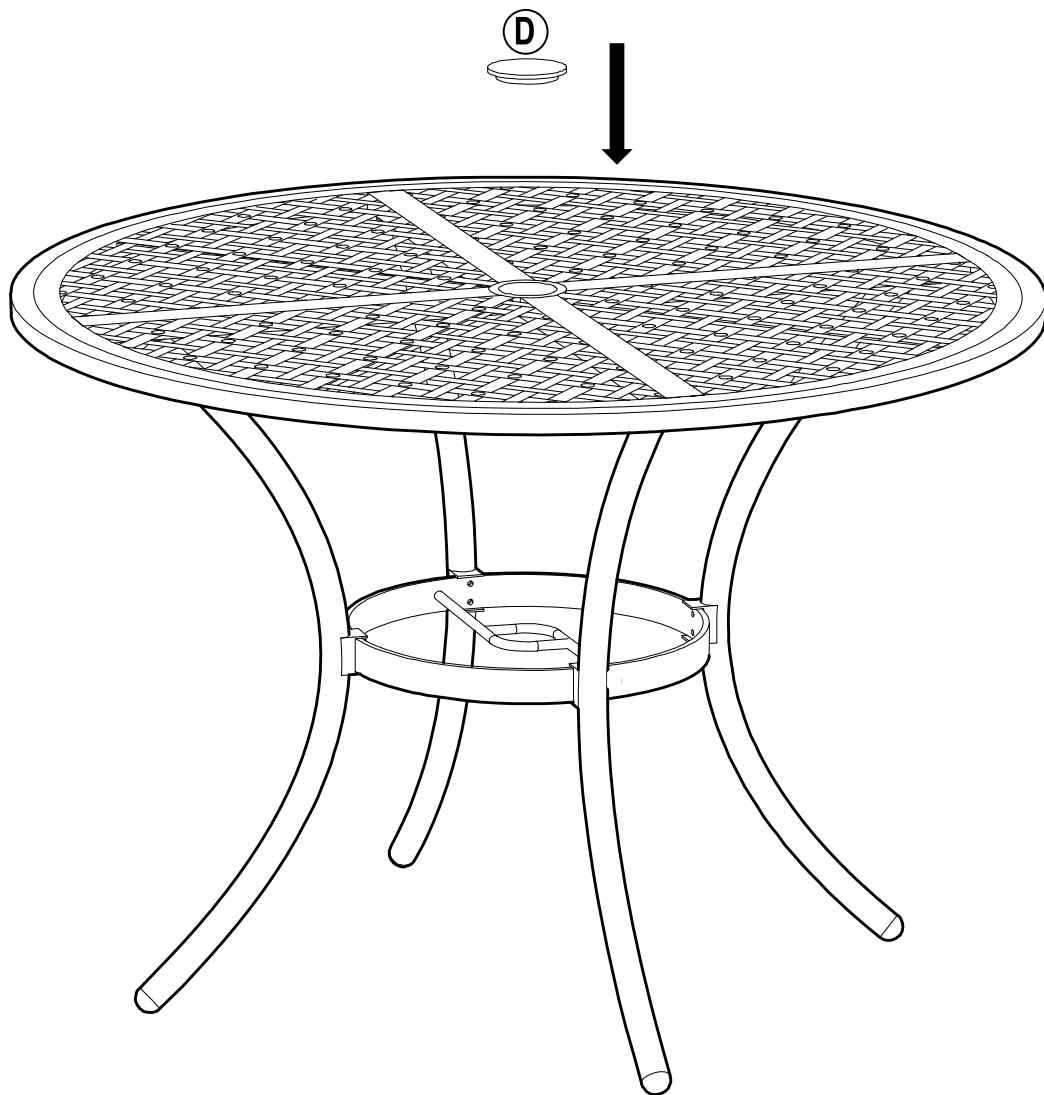
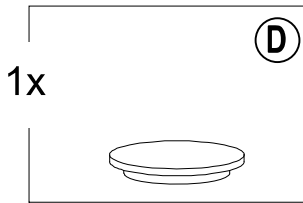
i Do not tighten all the bolts at this stage.



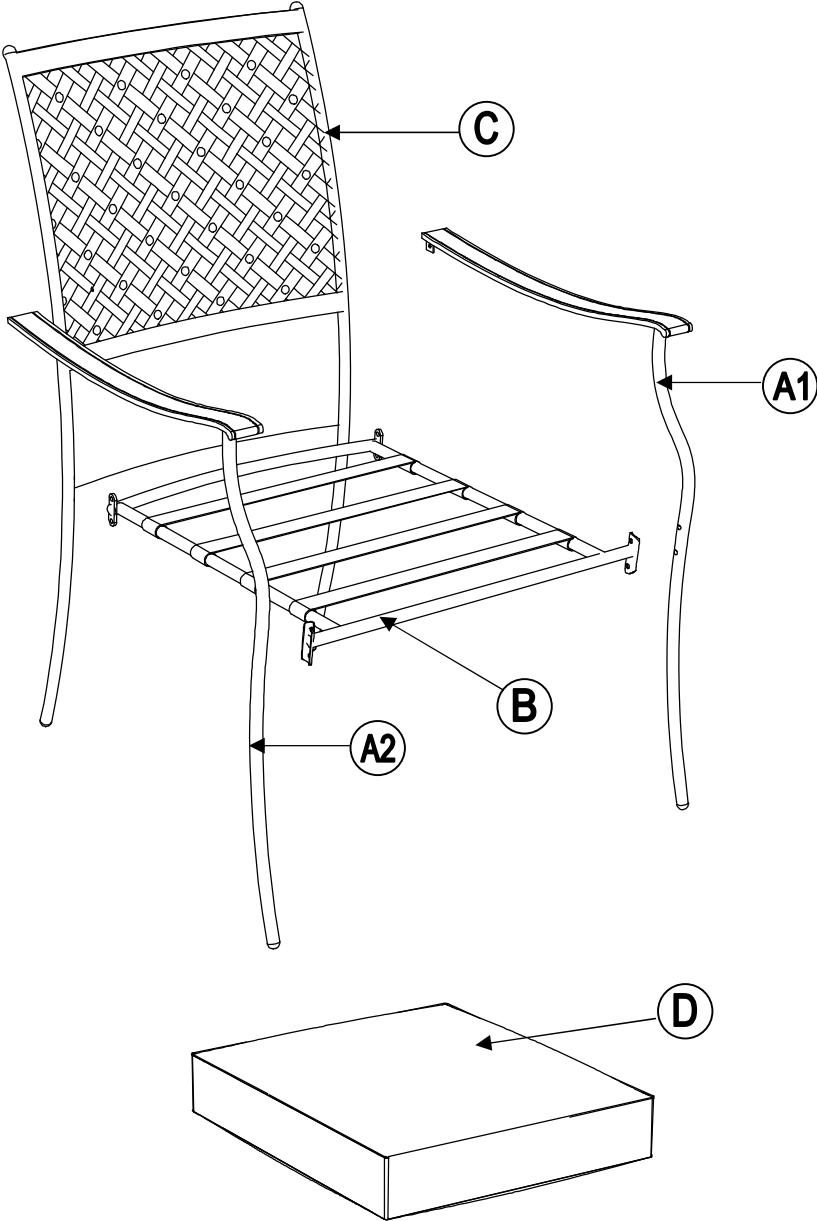
STEP 2: Assembly of Table Top









STEP 3: Assembly of Stake

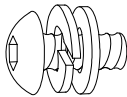




EXPLODED DRAWING

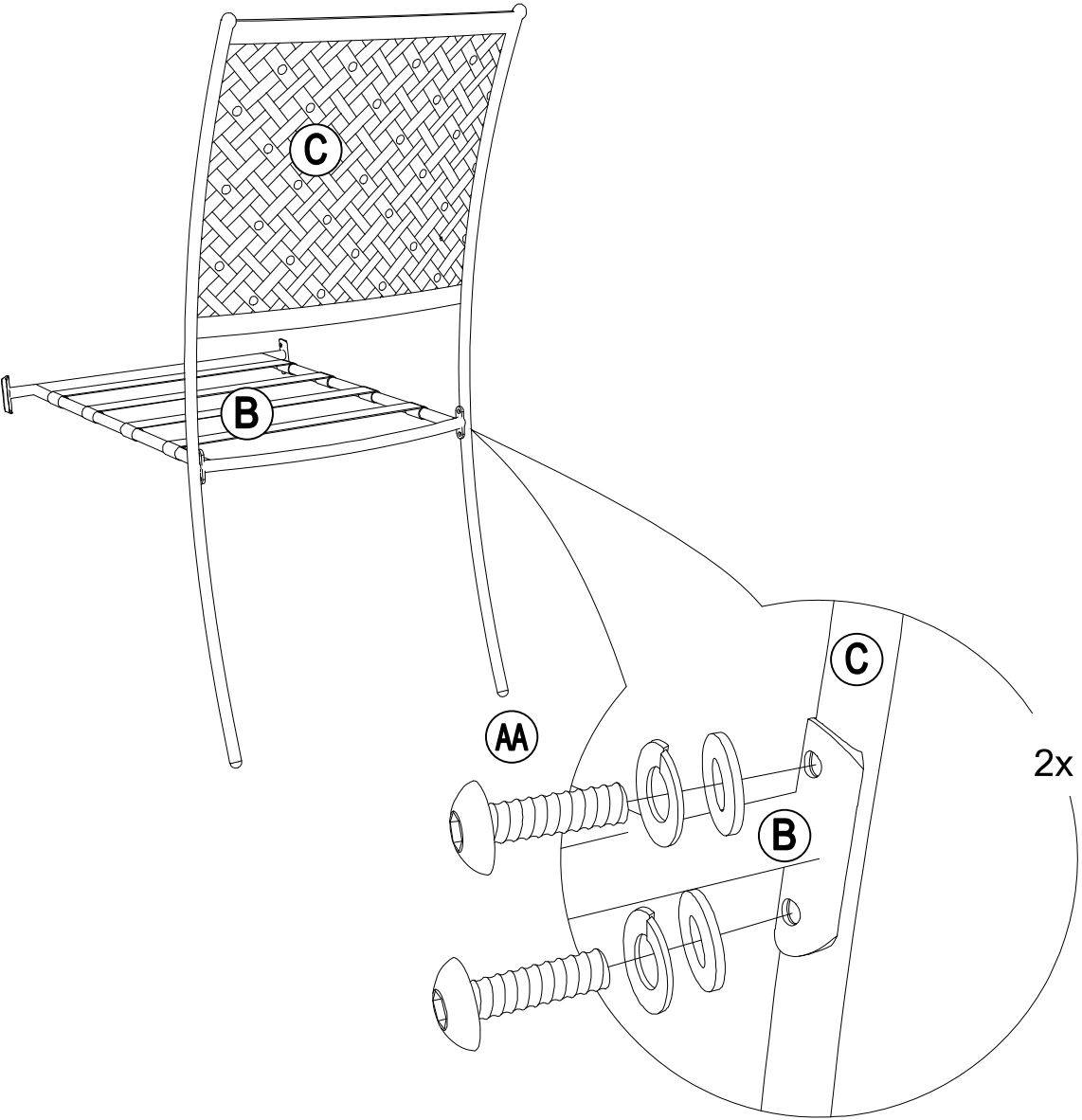
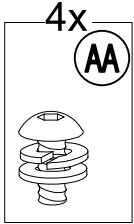
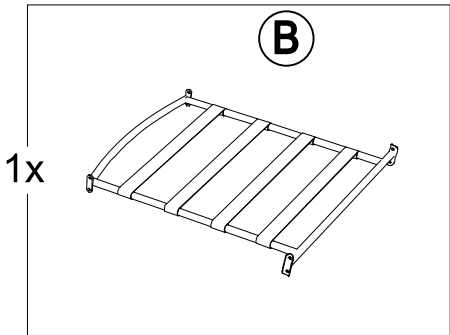
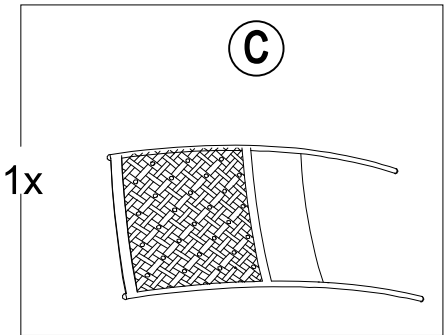


Product Include				
Label	Part Number	Description	Qty	Part Image
	A211016302	Chair	4	

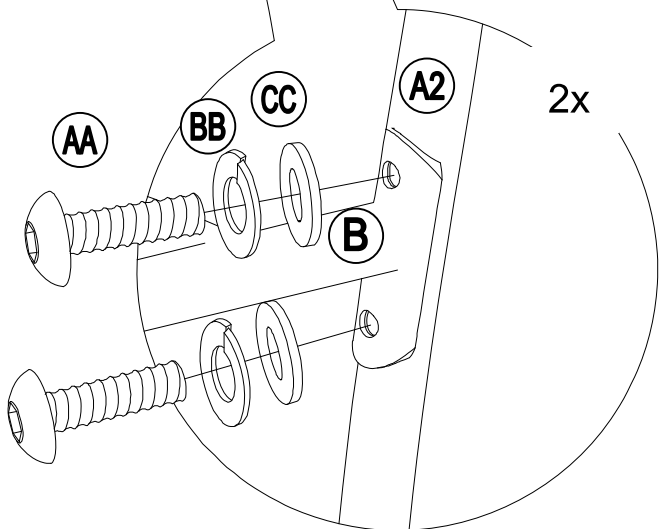
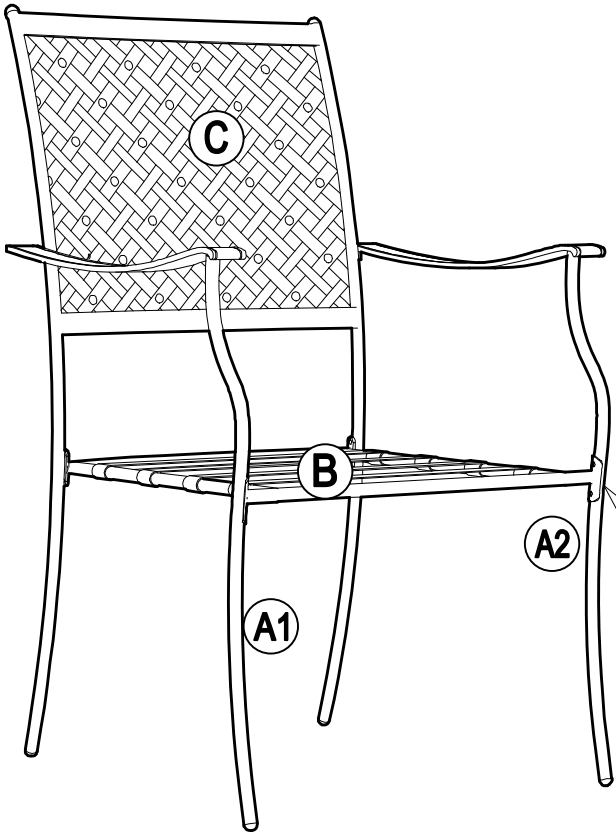
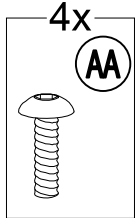
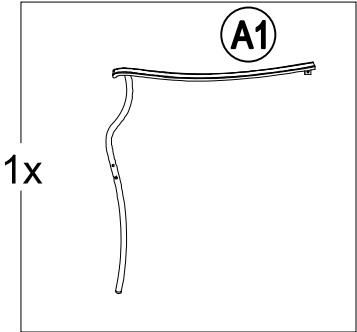
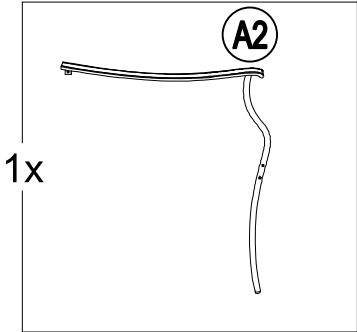
Parts List (For 1 Chair)				
Label	Part Number	Description	Qty	Part Image
A1	P001400222	Handrail (Left)	1	
A2	P001400223	Handrail (Right)	1	
B	P001600178	Seat	1	
C	P001500056	Back	1	
D	P001800110	Seat Cushion	1	

Hardware Pack (For 1 Chair)				
Label	Part Number	Description	Qty	Part Image
AA	H100010021	Bolt M6* 18 Spring washer M6 Flat washer M6	10	
BB	R070070032	Foot Pad (pre-assembled)	4	
CC	H090030002	Allen Key Size 4	1	

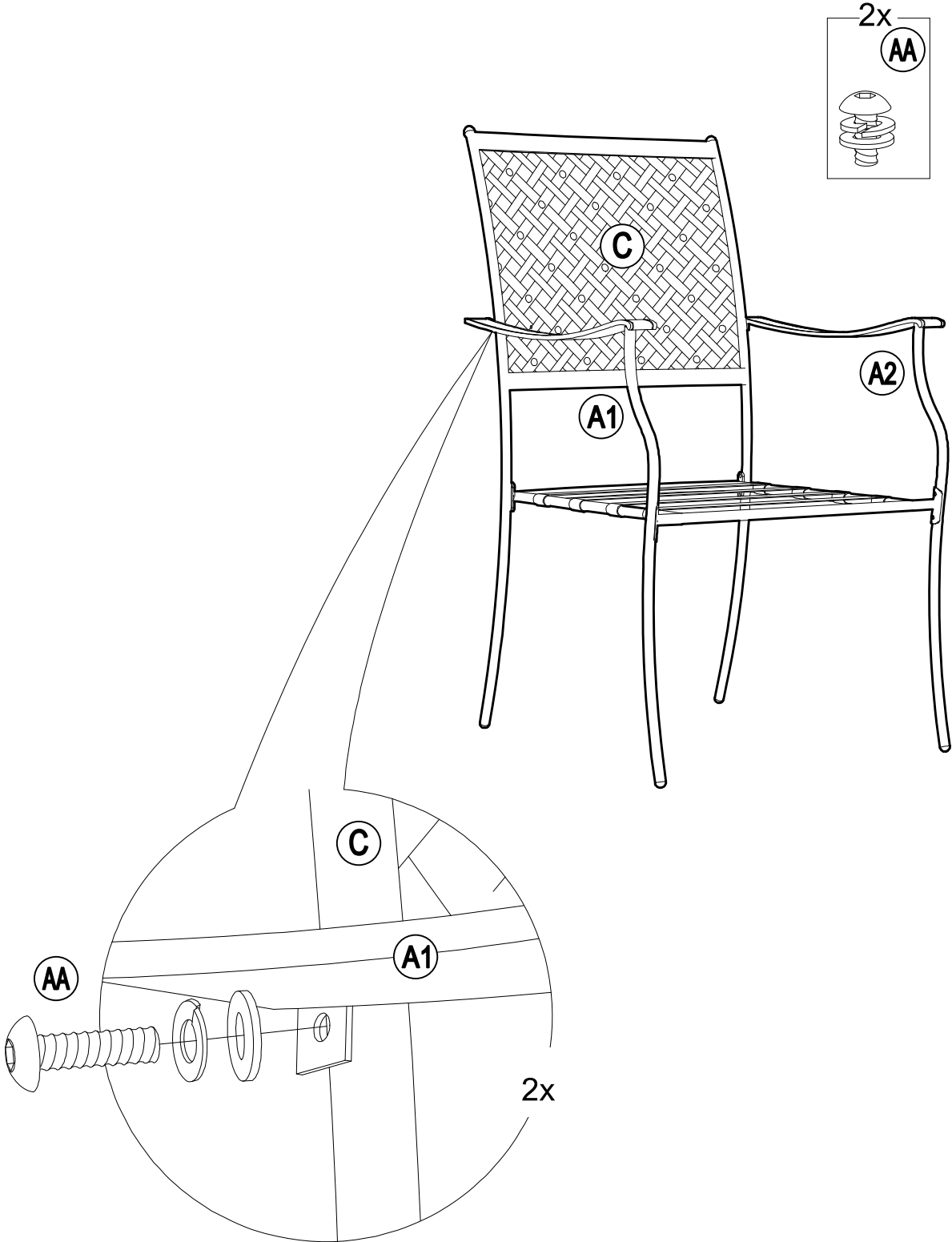
STEP 1: Assembly of Back



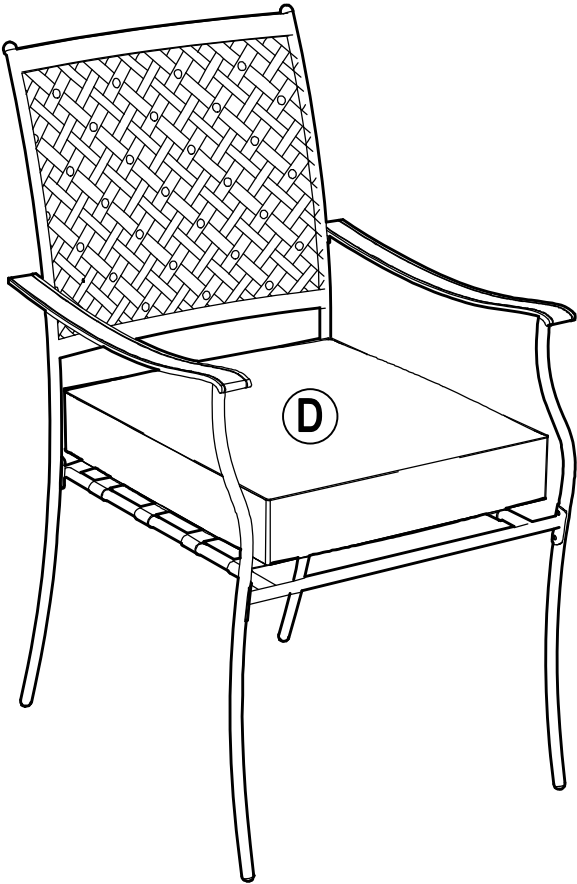
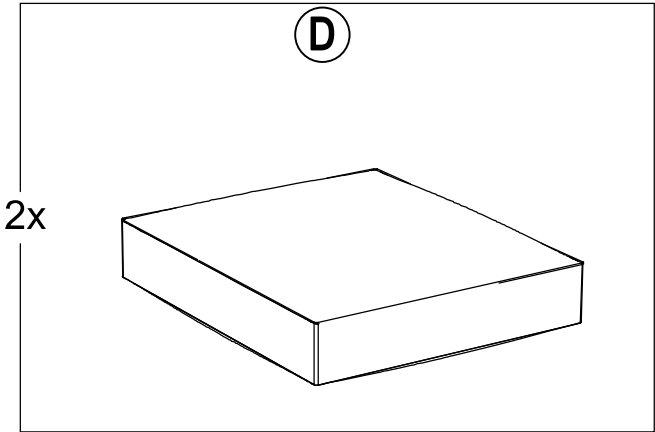
STEP 2: Assembly of Handrail and Seat



STEP 3: Assembly of Back and Seat



STEP 4: Assembly of Seat Cushion



Care and Maintenance

Before using, clean the Chair completely with a soft dry towel. When not in use, wipe free of any dirt or loose objects, wash with a mild solution of soap and water; rinse thoroughly and dry completely. Do not use strong detergent or abrasive cleaners. Over time nuts and bolts can loosen. Occasionally, check nuts and bolts, re-tighten if necessary.

Limited Manufacturer's Warranty

SUNJOY Group warrants to the original purchaser that this item is free from defects in workmanship and materials for a period of 1 year from the date of purchase, provided the item was factory-sealed at the time of purchase and is maintained with care and used only for personal, residential purposes. Should any manufacturing defect arise within this warranty period, SUNJOY Group will replace (at our option) any defective merchandise or parts upon proof of purchase; however, transportation and delivery costs, as well as payments to a third party for assembly or disassembly of the item, remain the responsibility of the purchaser. A purchaser of an "open box," previously-returned, or "clearance" item, as well as original purchasers outside of the warranty period, may obtain replacement parts from SUNJOY Group for products in current production, at nominal cost.

Exclusions:

Items used for commercial, contract, or other non-residential purposes, or items damaged due to acts of nature, vandalism, misuse, or improper assembly are not covered. Corrosion or rusting of hardware is not covered. Proof of purchase (dated register receipt) is required for warranty claims. Warranty is to the original purchaser and is non-transferable. Any replacement of warranted items will be in the original style and color, or a similar style and color if the original is unavailable or has been discontinued. As some states do not allow exclusions or limitations on an implied warranty, the above exclusions and limitations may not apply. This warranty gives you specific rights, and you may also have other rights, which vary from state to state.