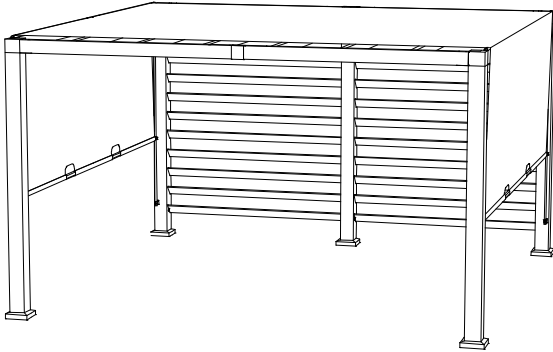


**ITEM NO.:A106006400**



**WE HAVE YOU IN MIND, LET US SERVE YOU!**

Questions? Issues?

**CONTACT US**

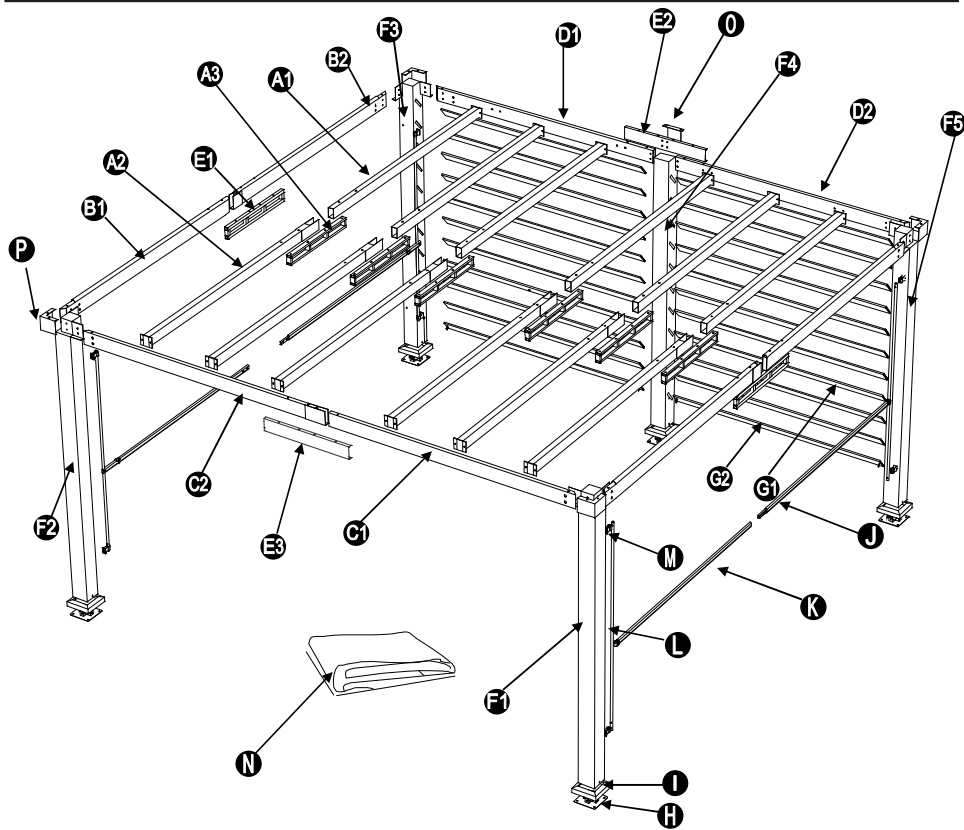
24 hours / 7 days a week

 [www.sunjoyonline.com](http://www.sunjoyonline.com)

 [customer.care@sunjoygroup.com](mailto:customer.care@sunjoygroup.com)

**Toll Free**  1-(866)-578-6569

## PACKAGE CONTENTS

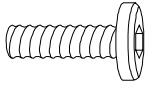


PART	DESCRIPTION	QUANTITY	PART	DESCRIPTION	QUANTITY
A1	Short Trabecular 1	6	F3	Back Left Post	1
A2	Short Trabecular 2	6	F4	Back Middle Post	1
A3	Trabecular Connector	6	F5	Back Right Post	1
B1	Short Beam Short Side	2	G1	Decoration Tube	20
B2	Long Beam Short Side	2	G2	Bottom Decoration Tube	2
C1	Front Short Beam	1	H	Base	5
C2	Front Long Beam	1	I	Base Cover	5
D1	Back Left Beam	1	J	Fabric Tube 1	2
D2	Back Right Beam	1	K	Fabric Tube 2	2
E1	Beam Connector 1	2	L	Guide Tube	4
E2	Beam Connector 2	1	M	Guide Tube Connector	8
E3	Beam Connector 3	1	N	Canopy	1
F1	Front Right Post	1	O	Beam Cover Plate	1
F2	Front Left Post	1	P	Corner Cover Plate	4

## HARDWARE CONTENTS

---

**AA**



M6\*15 mm Bolt

QTY: 98+5 spare

**BB**



M6 Flat Washer

QTY: 106+6 spare

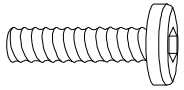
**CC**



M6 Spring Washer

QTY: 20+1 spare

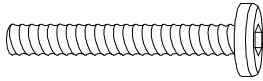
**DD**



M6\*20 mm Bolt

QTY: 28+2 spare

**FF**



M6\*65 mm Bolt

QTY: 8+1 spare

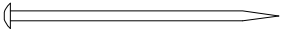
**GG**



M6 Plastic Cap

QTY: 44+3 spare

**HH**



φ 8\*180 mm Stake

QTY: 10

**II**



M6 Washer

QTY: 20 + 1 spare

**Z1**



M6 Allen Key

QTY: 2

## SAFETY INFORMATION

---

Please read and understand this entire manual before attempting to assemble or install the product.

### WARNING

- Keep all children and pets away from assembly area. Children and pets should be supervised while gazebo is being assembled.
- The assembled gazebo should be located at least 6 feet from any obstruction such as fence, garage, house, overhanging branches, laundry lines or electrical wires.
- Some parts may contain sharp edges. Wear protective gloves if necessary, during assembly.
- This unit is heavy. For safety, do not assemble this item alone. Three to four people are recommended for safe assembly.
- Keep all flame and heat sources away from the tent fabric. This tent is made with fabric that meets CPAI-84 specifications for flame resistance. It is not fire proof. The fabric will burn if left in continuous contact with any flame source. The application of any foreign substance to the tent fabric may render the flame-resistant properties ineffective.
- Check all nuts and bolts periodically for tightness and, when required, tighten them again.
- While this gazebo is manufactured to withstand winds through only the supplied ground stakes, in areas subject to frequent severe weather, securing the gazebo to a deck, concrete patio or footings should be considered.
- Do not use ladder leaning against the gazebo or climbing onto the roof.
- Do not use or enter the gazebo if there exists any of the following or of similar conditions:
  1. Visible movement of support members, roofing panels or sagging roofline.
  2. Creaks or audible noise from the gazebo.
  3. Cracks, fractures or malformation of support members or roof panels.
  4. Damaged or missing fasteners.

## CAUTION

Install the gazebo on level ground. Stakes are provided to secure the gazebo to the ground. Do not assemble the gazebo on sandy, muddy or loose soil, as stakes do not have enough anchorage in these types of soil. If you wish to secure the gazebo to a wood deck or concrete surface, use anchors suited to these surfaces. Snow must be cleared off regularly during snowy days. Remove the snow at the roof top when it is thicker than 2 inches. In order to avoid damage, use a plastic snow rake to remove excessive snow and ice buildup from roof and keep away from falling debris. Any assembly or maintenance of the product must be carried out by adults only. Please check your state and local regulations prior to purchasing. Some jurisdictions may require permits for installation and use. Some special procedures may be valid in your area. For outdoor use only. If any scratch paint, please touch up to prevent rusting.

## **PREPARATION**

---

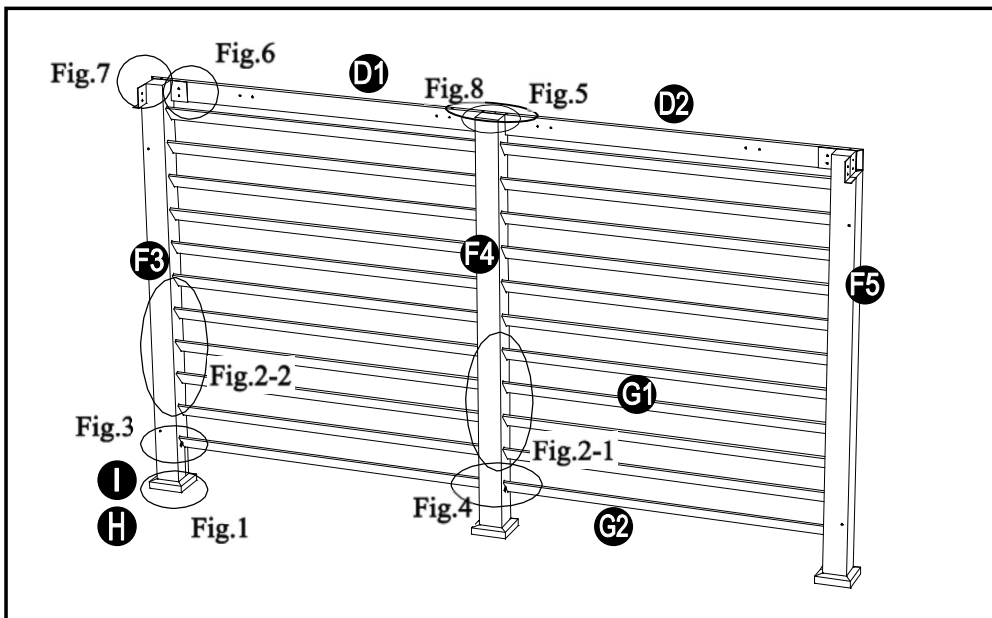
Before beginning assembly of product, make sure all parts are present. Compare parts with package contents list and hardware contents list. If any part is missing or damaged, do not attempt to assemble the product.

**Estimated Assembly Time:** 60-90 minutes.

Tools Required for Assembly (included): Wrench & Allen Key.

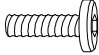


Tools Required for Assembly (not included): hammer, and 2 ladders (no less than 8.2-feet tall).

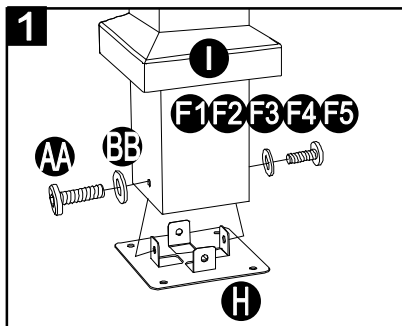
# ASSEMBLY INSTRUCTIONS



1. Attach the base cover (I) to the post (F1/ F2/F3/F4/F5). Then attach the base (H) to the post with bolts (AA) and flat washer (BB). Tighten with allen key (Z1).

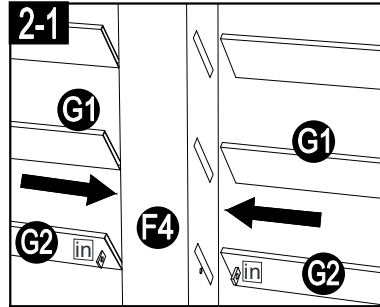
## Hardware Used

<b>AA</b>	M6 x 15 mm Bolt		x 10
<b>BB</b>	M6 Flat washer		x 10
<b>Z1</b>	M6 Allen Key		x 1

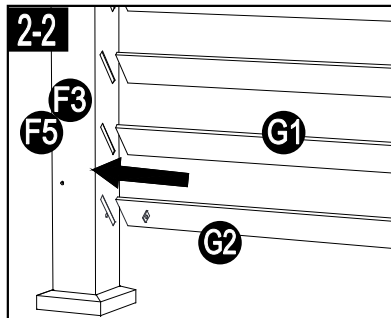


## ASSEMBLY INSTRUCTIONS

- 2-1. Insert the decoration tube(G1) and bottom decoration tube(G2) to the back middle post(F4)'s groove. Please note: The bottom decoration tube(G2) with the labeled (in) should be facing inwards.

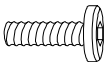





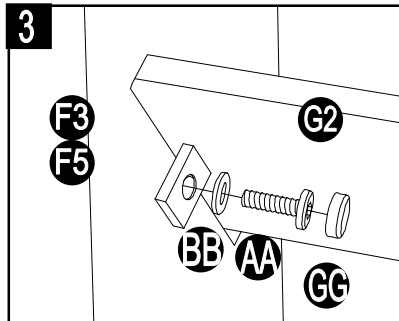
- 2-2. Connect the back left post (F3) and back right post (F5) to the decoration tube (G1) and bottom decoration tube (G2) according to the groove direction of the post.



3. Connect the bottom decoration tube (G2) to the post (F3/F5) with bolts (AA) and flat washer (BB). Then cover with plastic cap (GG). Tighten with allen key (Z1).

### Hardware Used

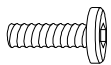



<b>AA</b>	M6 x 15 mm Bolt		x 2
<b>BB</b>	M6 Flat washer		x 2
<b>CC</b>	Plastic Cap		x 2
<b>Z1</b>	M6 Allen Key		x 1

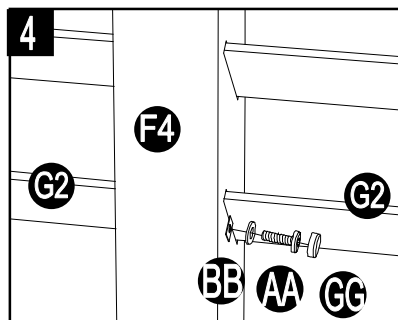


## ASSEMBLY INSTRUCTIONS

4. Connect the bottom decoration tube (G2) to the post (F4) with bolts (AA), flat washer (BB) and cover plastic cap (GG). Tighten with allen key (Z1).

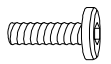


### Hardware Used

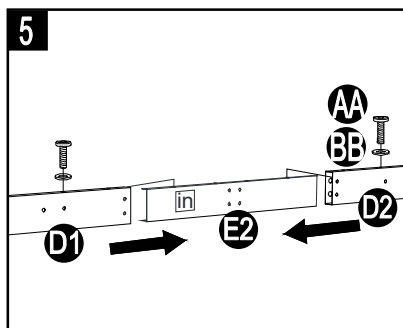
<b>AA</b>	M6 x 15 mm Bolt		x 2
<b>BB</b>	M6 Flat washer		x 2
<b>GG</b>	Plastic Cap		x 2
<b>Z1</b>	M6 Allen Key		x 1



5. Connect the back left beam (D1) and back right beam (D2) to the beam connector (E2) with bolts (AA) and flat washer (BB). Tighten with allen key (Z1).

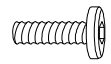



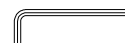
### Hardware Used

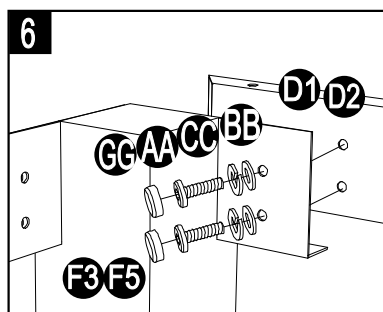
<b>AA</b>	M6 x 15 mm Bolt		x 2
<b>BB</b>	M6 Flat washer		x 2
<b>Z1</b>	M6 Allen Key		x 1



6. Attach the assembled back beam (D1/D2) to the post (F3/F5) with bolts (AA), flat washer (BB) and spring washer (CC), assemble from inside direction. Then cover with plastic cap (GG). Tighten with allen key (Z1).

### Hardware Used

<b>AA</b>	M6 x 15 mm Bolt		x 4
<b>BB</b>	M6 Flat washer		x 4
<b>CC</b>	M6 Spring Washer		x 4
<b>GG</b>	Plastic Cap		x 4
<b>Z1</b>	M6 Allen Key		x 1

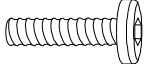




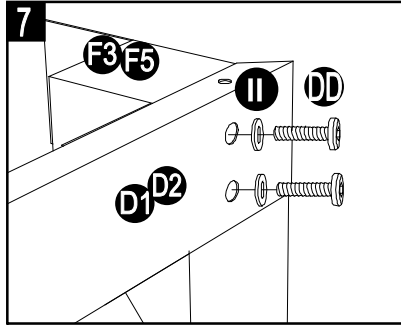


## ASSEMBLY INSTRUCTIONS

7. Connect the assembled back beam (D1/ D2) to the post (F3/F5) with bolts (DD) and washer (II) , assemble from outside direction. Tighten with allen key (Z1).

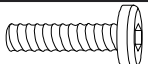


### Hardware Used

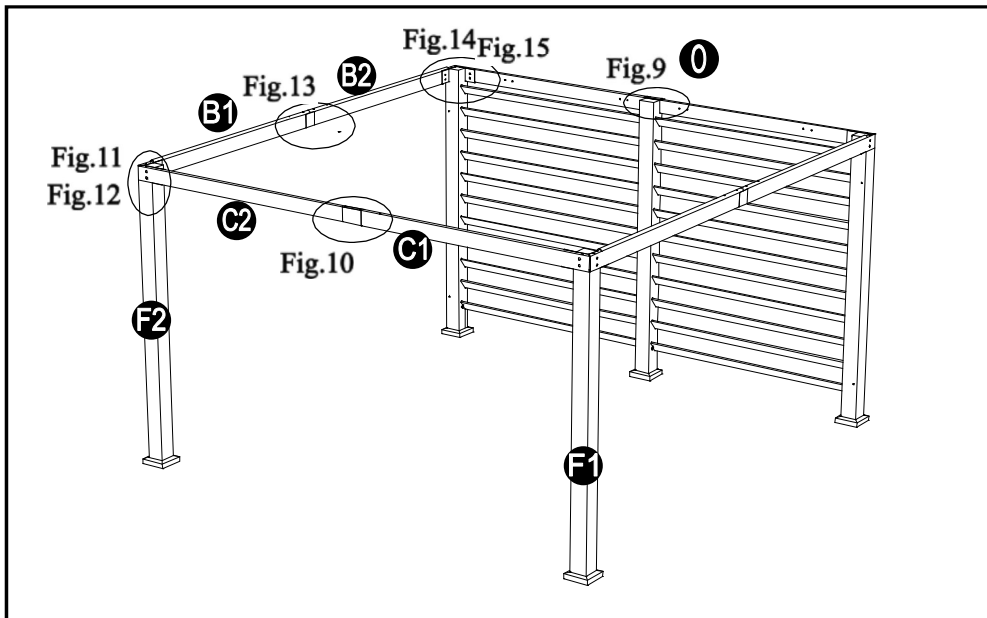
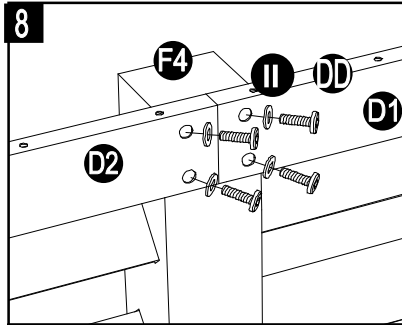
<b>DD</b>	M6 x 20mm Bolt		x 4
<b>II</b>	M6 washer		x 4
<b>Z1</b>	M6 Allen Key		x 1



8. Connect the assembled back beam (D1/D2) to the post (F4) with bolts (DD) and washer (II). Tighten with allen key (Z1).

### Hardware Used

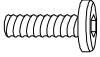


<b>DD</b>	M6 x 20 mm Bolt		x 4
<b>II</b>	M6 washer		x 4
<b>Z1</b>	M6 Allen Key		x 1

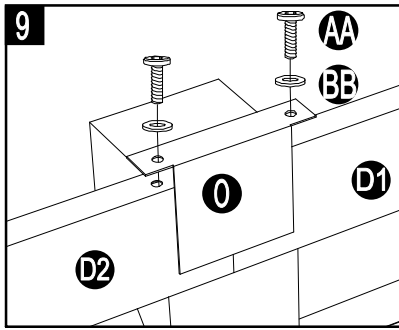


## ASSEMBLY INSTRUCTIONS

9. Attach the beam cover plate (O) to the assembled back beam (D1/D2) with bolts (AA) and flat washer (BB). Tighten with allen key (Z1).

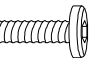

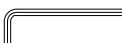
### Hardware Used

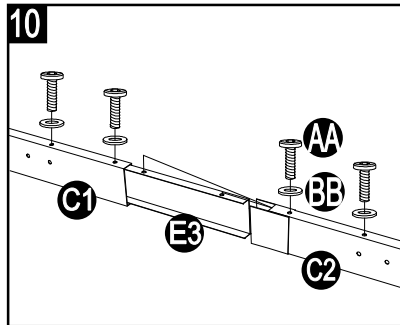
<b>AA</b>	M6 x 15 mm Bolt		x 2
<b>BB</b>	M6 Flat washer		x 2
<b>Z1</b>	M6 Allen Key		x 1



10. Connect the front short beam (C1) and front long beam (C2) to the beam connector (E3) with bolts (AA) and flat washer (BB). Tighten with allen key (Z1).

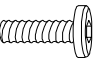




### Hardware Used

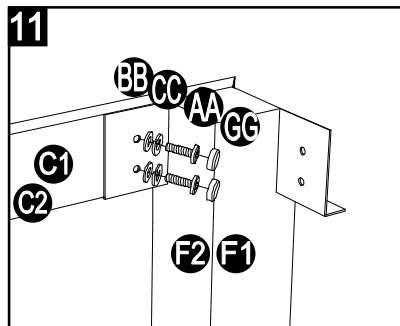
<b>AA</b>	M6 x 15 mm Bolt		x 4
<b>BB</b>	M6 Flat washer		x 4
<b>Z1</b>	M6 Allen Key		x 1



11. Attach the assembled front beam (C1/C2) to the Post (F1/F2) with bolts (AA), flat washer (BB) and spring washer (CC), assemble from inside direction. Then cover with plastic cap (GG). Tighten with allen key (Z1).

### Hardware Used

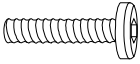


<b>AA</b>	M6 x 15 mm Bolt		x 4
<b>BB</b>	M6 Flat washer		x 4
<b>CC</b>	M6 Spring Washer		x 4
<b>GG</b>	Plastic Cap		x 4
<b>Z1</b>	M6 Allen Key		x 1

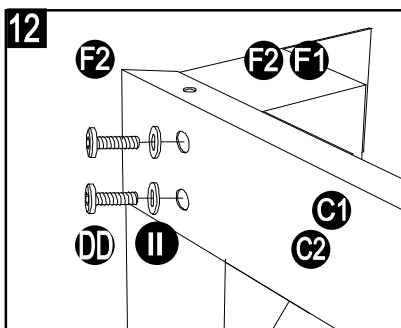


## ASSEMBLY INSTRUCTIONS

12. Connect the front beam (C1/C2) to the post (F1/F2) with bolts (DD) and M6 washer (II), assemble from outside direction. Tighten with allen key (Z1).




### Hardware Used

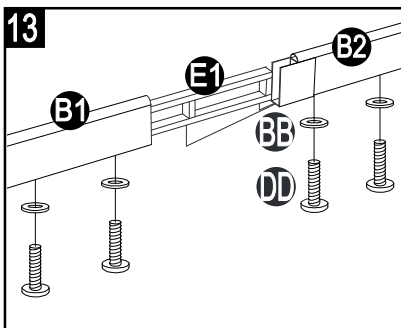
<b>DD</b>	M6 x 20 mm Bolt		x 4
<b>II</b>	M6 washer		x 4
<b>Z1</b>	M6 Allen Key		x 1



13. Connect the short beam short side (B1) & long beam short side (B2) to the beam connector (E1) with bolts (DD) and flat washer (BB). Tighten with allen key (Z1)

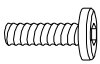



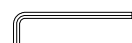
### Hardware Used

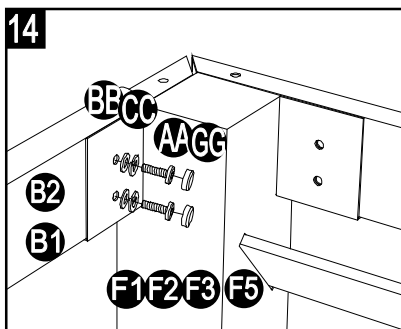
<b>DD</b>	M6 x 20 mm Bolt		x 8
<b>BB</b>	M6 Flat washer		x 8
<b>Z1</b>	M6 Allen Key		x 1



14. Attach the assembled beam (B1/B2) to the post (F1/F2/F3/F5) with bolts (AA), flat washer (BB) and spring washer (CC), assemble from inside direction. Then cover with plastic cap (GG). Tighten with allen key (Z1).

### Hardware Used

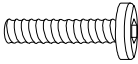


<b>AA</b>	M6 x 15 mm Bolt		x 8
<b>BB</b>	M6 Flat washer		x 8
<b>CC</b>	M6 Spring Washer		x 8
<b>GG</b>	Plastic Cap		x 8
<b>Z1</b>	M6 Allen Key		x 1

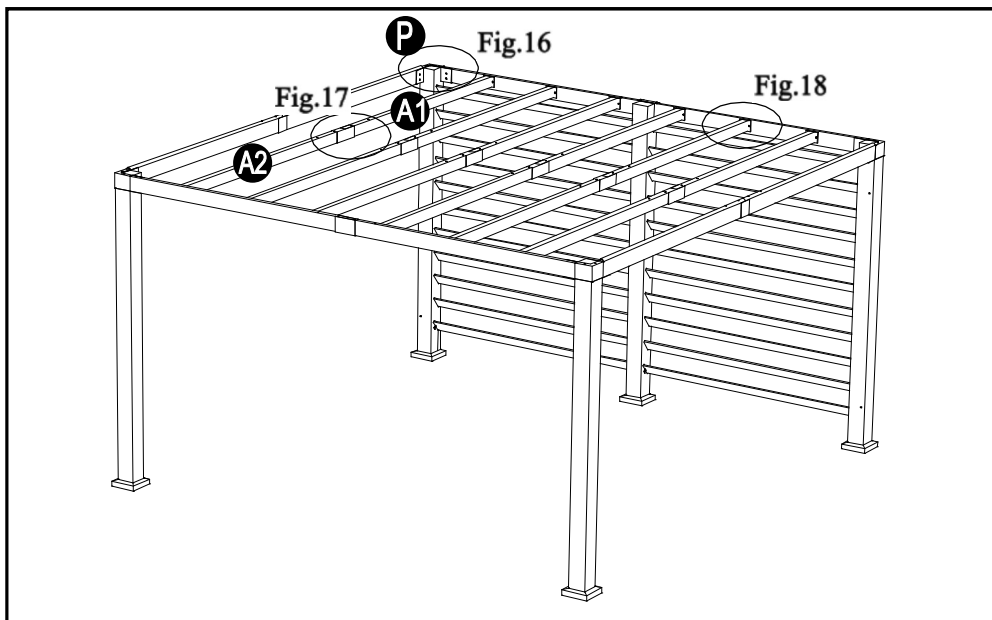
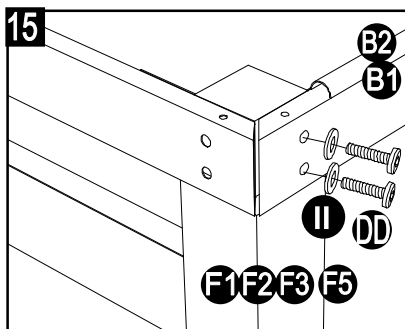


## ASSEMBLY INSTRUCTIONS

15. Connect the beam (B1/B2) to the post (F1/F2/F3/F5) with bolts (DD) and washer (II), assemble from outside direction. Tighten with allen key (Z1).

### Hardware Used

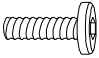


<b>DD</b>	M6 x 20 mm Bolt		x 8
<b>II</b>	M6 washer		x 8
<b>Z1</b>	M6 Allen Key		x 1

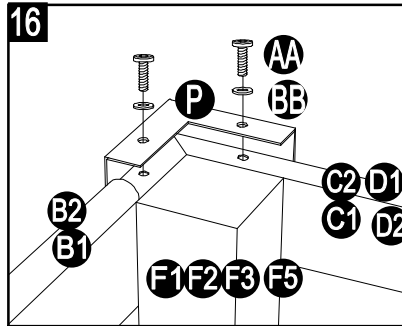


## ASSEMBLY INSTRUCTIONS

16. Attach the corner cover plate (P) to the short beam short side (B1) and long beam short side (B2) with bolts (AA) and flat washer (BB). Tighten with allen key (Z1).

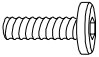


### Hardware Used

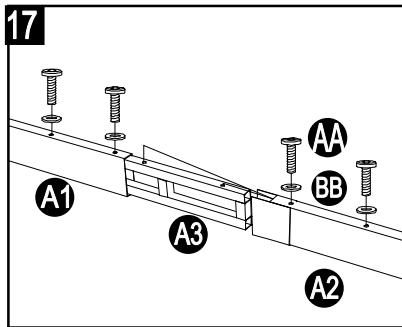
<b>AA</b>	M6 x 15 mm Bolt		x 8
<b>BB</b>	M6 Flat washer		x 8
<b>Z1</b>	M6 Allen Key		x 1



17. Connect the short trabecular A1 and A2 to the trabecular connector (A3) with bolts (AA) and flat washer (BB). Tighten with allen key (Z1).

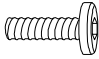



### Hardware Used

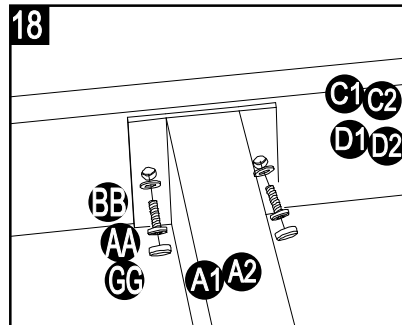
<b>AA</b>	M6 x 15 mm Bolt		x 24
<b>BB</b>	M6 Flat washer		x 24
<b>Z1</b>	M6 Allen Key		x 1



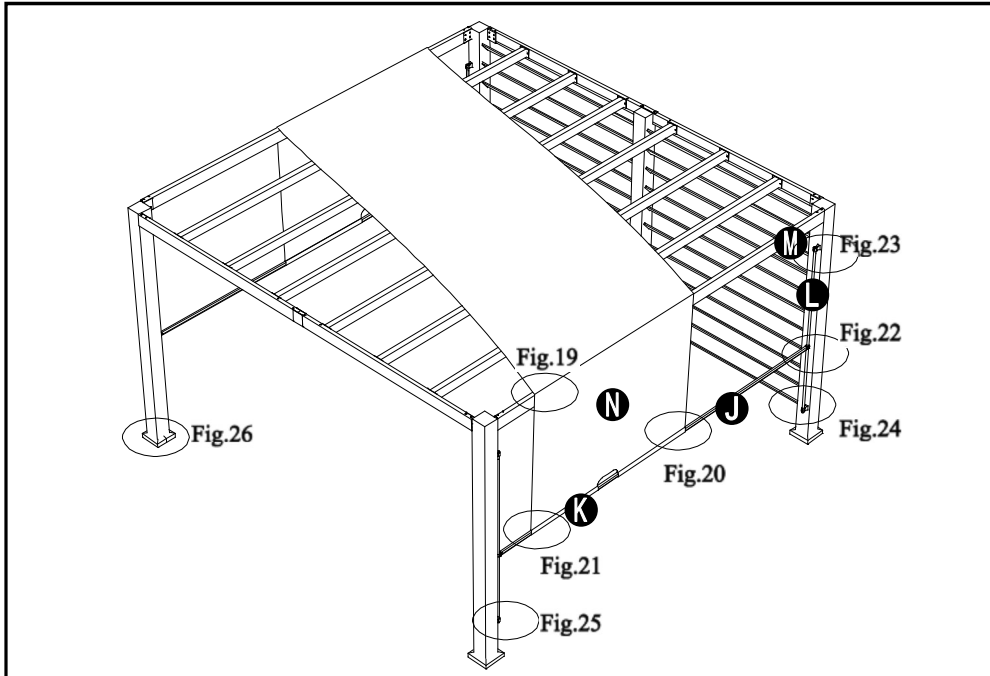
18. Attach the assembled short trabecular (A1/A2) to the back left beam (D1), back right beam (D2), front short beam (C1) and front long beam (C2) with bolts (AA) and flat washer (BB). Then cover with plastic cap (GG). Tighten with allen key (Z1)

### Hardware Used

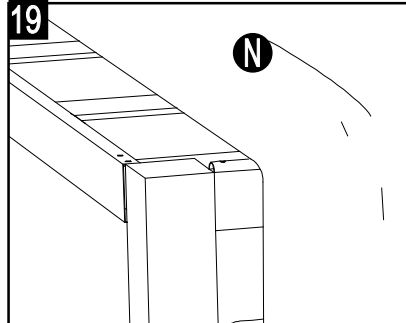
<b>AA</b>	M6 x 15 mm Bolt		x 24
<b>BB</b>	M6 Flat washer		x 24
<b>GG</b>	Plastic Cap		x 24
<b>Z1</b>	M6 Allen Key		x 1



# ASSEMBLY INSTRUCTIONS




19. Place the canopy (N) on the gazebo.

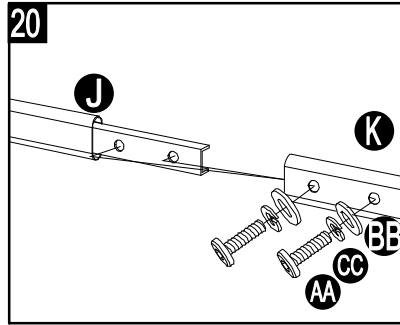


## ASSEMBLY INSTRUCTIONS

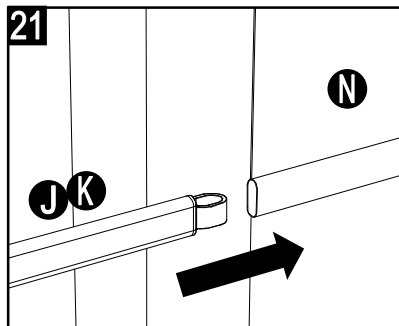
20. Connect the cloth tube 1(J) to the cloth tube 2 (K) with bolts (AA) ,flat washer (BB)and spring washer (CC). Tighten with allen key (Z1).

### Hardware Used

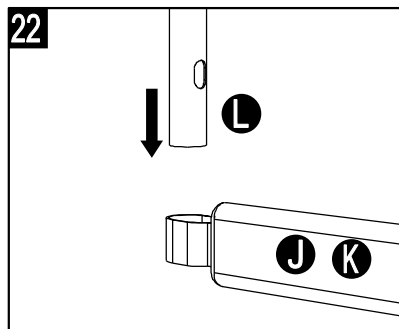
<b>AA</b>	M6 x 15 mm Bolt		x 4
<b>BB</b>	M6 Flat washer		x 4
<b>CC</b>	M6 Spring Washer		x 4
<b>Z1</b>	M6 Allen Key		x 1



21. After placing the canopy (N) on the gazebo, then insert the assembled cloth tube (J/K) into the bottom of the canopy (N).



22. Insert the guide tube (L) into the cloth tube (J/K).



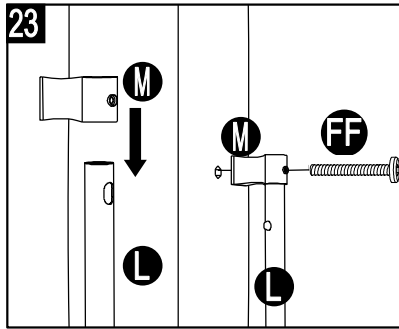
## ASSEMBLY INSTRUCTIONS

23. Attach the cloth tube connector (M) to the cloth tube (L) from top and then secure with bolts (FF). Tighten with allen key (Z1).

### Hardware Used

**FF** M6 x 65 mm Bolt  x 4

**Z1** M6 Allen Key  x 1

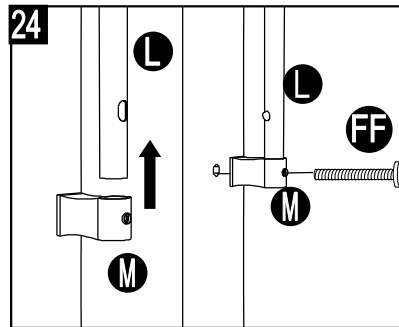


24. Attach the cloth tube connector (M) to the cloth tube (L) from bottom and then secure with bolts (FF). Tighten with allen key (Z1).

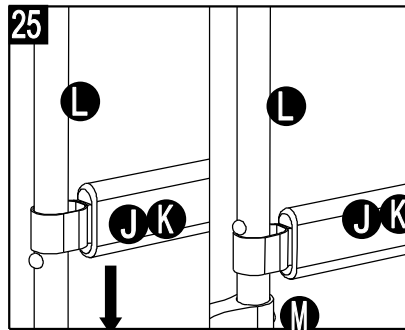
### Hardware Used

**FF** M6 x 65 mm Bolt  x 4

**Z1** M6 Allen Key  x 1



25. Pull down the cloth tube (J/K) to the guide rail (L) bottom and secure it with stopper to avoid moving up and down.





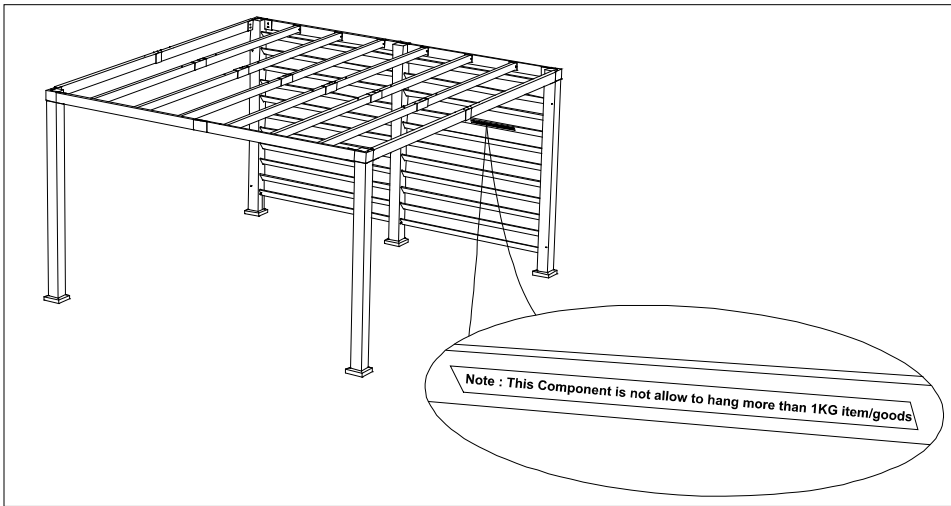
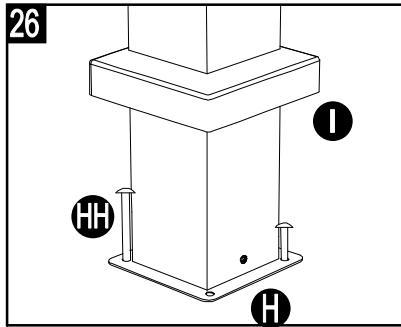


## ASSEMBLY INSTRUCTIONS

26. Lift the base cover (I), then secure the gazebo on the ground with stakes (HH) through the base (H).

### Hardware Used

  $\varnothing 8*180$  Stake  x 10



## **CARE AND MAINTENANCE**

---

Steel components for this gazebo are treated with rust inhibiting paint that protects it from rusting. However, due to the nature of steel, surface oxidation (rusting) will occur if these protective coatings are scratched. This is not a defect and thus not covered by the warranty. To minimize this condition, it is recommended to use care when assembling and handling the product to prevent scratching the paint. Should any scratching or damage occur, it is recommended to cover the scratch immediately with rust inhibiting paint (not included). Surface rust can also be easily removed with a very light application of regular cooking oil or WD-40. If surface oxidation (rusting) occurs and if no measure is taken to prevent this, the oxidation may start dripping onto deck or patio and cause damaging stains, which may be difficult to remove. This can be prevented if the above-mentioned measures are taken to keep the product from oxidizing.

1. Do not use bleach, acid, or other abrasive cleaners on the roof or frame parts.
2. Keep instruction manual for future reference.
3. Keep the original packaging to store the gazebo.

## **SIX-MONTHS LIMITED WARRANTY**

---

This limited warranty is extended to the original purchaser and applies to defects in material and workmanship of your item provided the item is maintained with care and used only for personal, residential purposes. Please note that this warranty does not exceed 6 months. Parts, Canopies, Drapes, and Netting may be available for purchase after 6 months but is available to a limited time frame for each product. Your current exact color may not be available. This warranty does not cover inclement weather due to high winds, excessive snow or rain, and other extreme weather issues.

The manufacturer warranty for this item, is to be free of defects in material and workmanship for a period of 6 months.. If any defect is found, please call our customer service department at 1-866-578-6569 for help. The manufacturer will not cover transportation or delivery costs or compensate the individual or any third party for assembling or disassembling the product. This warranty gives you certain rights, and you may have other rights that vary from state to state.

## **SIX-MONTHS LIMITED WARRANTY**

---

**Frames.** Steel frame construction is warranted against defects in material and workmanship for 6 months from purchase date. Damage to frames or welds resulting from improper assembly or exposure to water and/or sub-freezing temperatures is not covered.

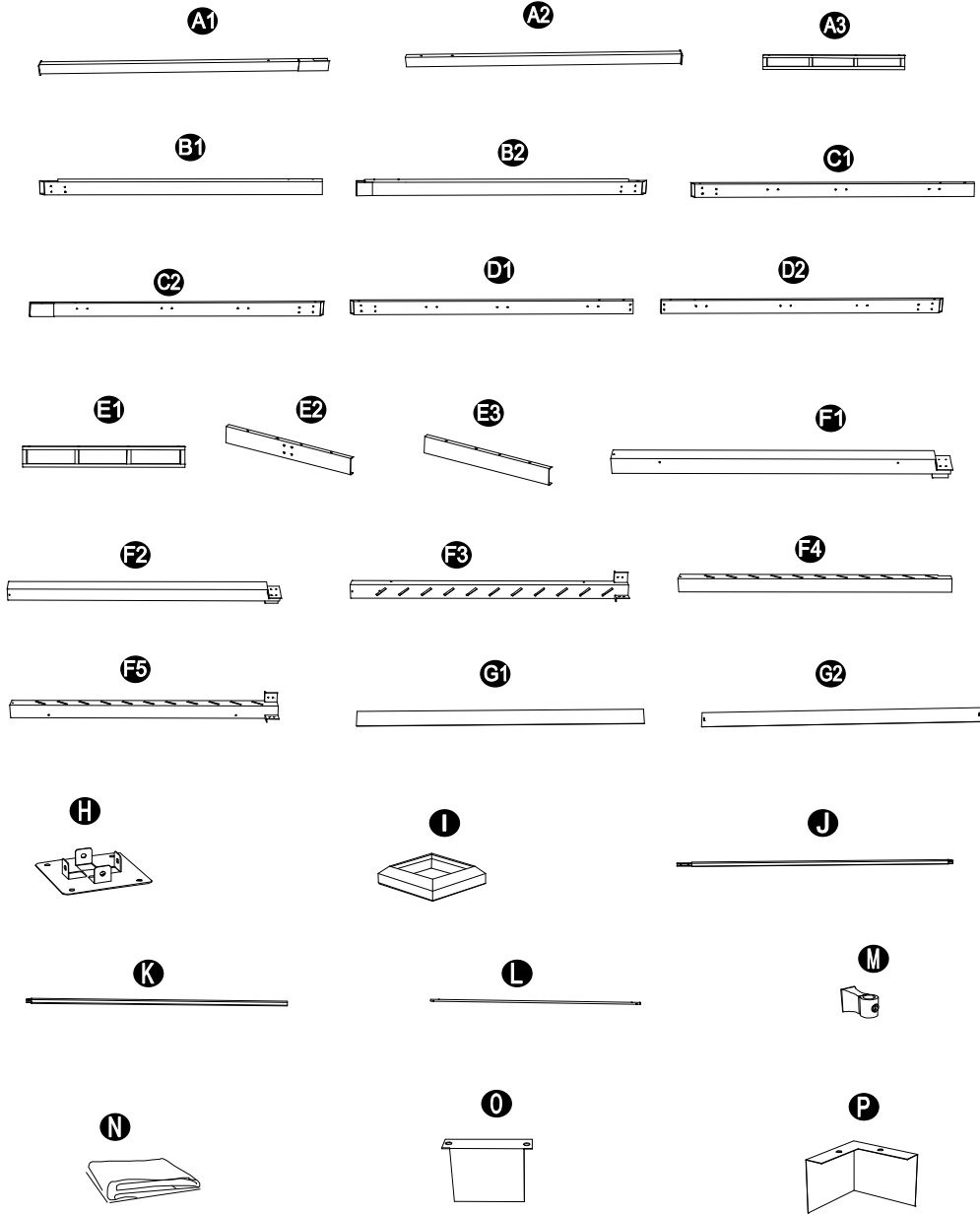
**Finishes.** Paint finishes are warranted against peeling, cracking and blistering for 6 months from purchase date provided the item has not been scratched or abraded. Chips and scratches or fading resulting from normal wear and tear and exposure to the elements are not covered.

**Fabrics.** Canopies, Drapes, and Netting (if applicable) are warranted against separation at the seams for 6 months from purchase date. Fading and/or discoloration resulting from exposure to the elements, oils, spills, fluids, chemicals, water damage or any other cause are not covered.

**Wicker.** Straps and/or wicker weave (if applicable) are warranted against separation and tearing for 6 months from purchase date. Fading and/or discoloration resulting from exposure to the elements, oils, spills, fluids, chemicals, or any other cause are not covered.

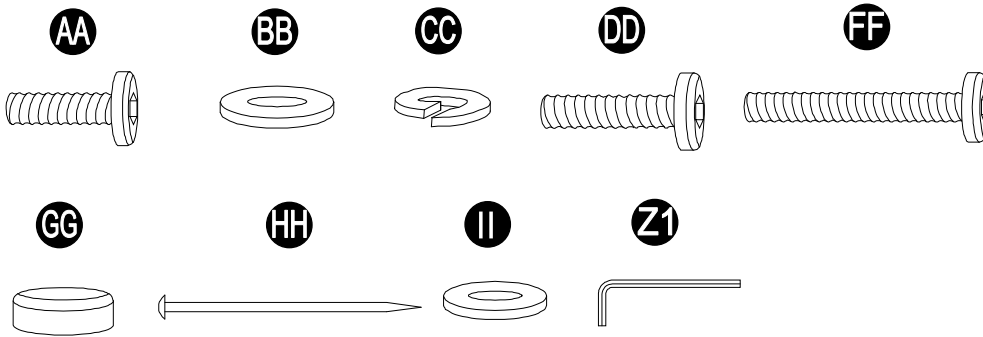
# REPLACEMENT PARTS LIST

For replacement parts, call our customer service department at 1-866-578-6569.



## REPLACEMENT PARTS LIST

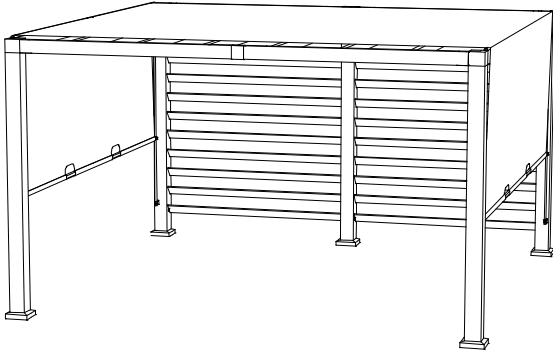
For replacement parts, call our customer service department at 1-866-578-6569.



PART	DESCRIPTION	PART#	PART	DESCRIPTION	PART#
A1	Short Trabecular 1	P000600427	H	Base	P000100079
A2	Short Trabecular 2	P000600428	I	Base Cover	P006100053
A3	Trabecular Connector	P000500393	J	Fabric Tube 1	P005700139
B1	Short Beam Short Side	P000400319	K	Fabric Tube 2	P005700140
B2	Long Beam Short Side	P000400320	L	Guide Tube	P005700141
C1	Front Short Beam	P000400321	M	Guide Tube Connector	P000500392
C2	Front Long Beam	P000400322	N	Canopy	P001100140
D1	Back Left Beam	P000400323	O	Beam Cover Plate	P005600060
D2	Back Right Beam	P000400324	P	Corner Cover Plate	P005600140
E1	Beam Connector 1	P000500391	AA	M6*15 Bolt	H010030030
E2	Beam Connector 2	P000500670	BB	M6 Flat Washer	H050010020
E3	Beam Connector 3	P000501083	CC	M6 Spring Washer	H050020016
F1	Front Right Post	P000200134	DD	M6*20 Bolt	H010030032
F2	Front Left Post	P000200136	FF	M6*65 Bolt	H010030072
F3	Back Left Post	P000200138	GG	M6 Plastic Cap	R070030008
F4	Back Middle Post	P000200137	HH	8*180 mm Stake	H070010003
F5	Back Right Post	P000200135	II	M6 Washer	H050010057
G1	Decoration Tube	P005600064	Z1	M6 Allen Key	H090030003
G2	Bottom Decoration Tube	P005600059			

Printed in China  
Production number: 2020200007

**ITEM NO.:A106006400**



**WE HAVE YOU IN MIND, LET US SERVE YOU!**

Questions? Issues?

**CONTACT US**

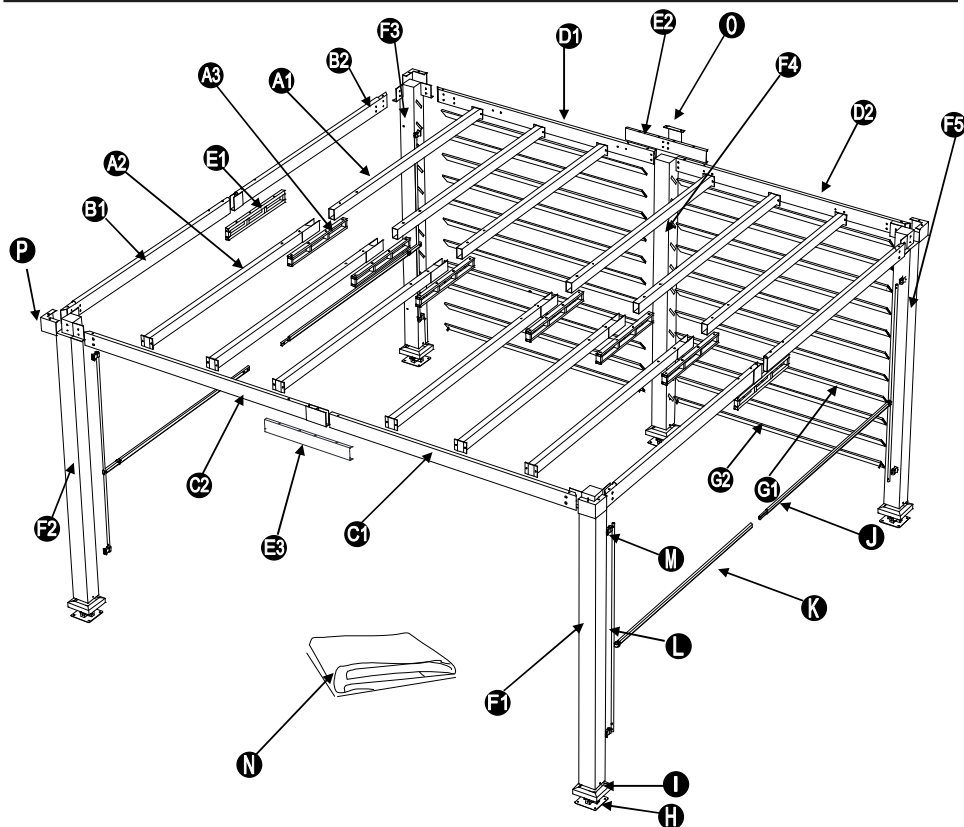
24 hours / 7 days a week

 [www.sunjoyonline.com](http://www.sunjoyonline.com)

 [customer.care@sunjoygroup.com](mailto:customer.care@sunjoygroup.com)

**Toll Free**  1-(866)-578-6569

## CONTENU DE L'EMBALLAGE

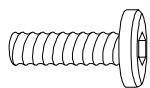


PIÈCE	DESCRIPTION	QUANTITÉ	PIÈCE	DESCRIPTION	QUANTITÉ
A1	Traverses courtes 1	6	F3	Poteau arrière gauche	1
A2	Traverses courtes 2	6	F4	Poteau arrière central	1
A3	Raccord de traverse	6	F5	Poteau arrière droit	1
B1	Traverse courte (côté court)	2	G1	Tube décoratif	20
B2	Traverse longue (côté court)	2	G2	Tube décoratif inférieur	2
C1	Traverse avant courte	1	H	Base	5
C2	Traverse avant longue	1	I	Capuchon de base	5
D1	Traverse arrière gauche	1	J	Tube pour toile 1	2
D2	Traverse arrière droite	1	K	Tube pour toile 2	2
E1	Raccord de traverse 1	2	L	Tube de guidage	4
E2	Raccord de traverse 2	1	M	Raccord de tube de guidage	8
E3	Raccord de traverse 3	1	N	Auvent	1
F1	Poteau avant droit	1	O	Couvercle de traverse	1
F2	Poteau avant gauche	1	P	Couvercle de coin	4

## QUINCAILLERIE INCLUSE

---

**AA**



Boulon M6 de 15 mm  
Qté : 98+5 de rechange

**BB**



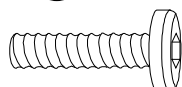
Rondelle plate M6  
Qté : 106+6 de rechange

**CC**



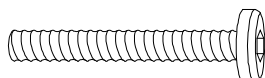
Rondelle à ressort  
M6 Qté : 20+1 de rechange

**DD**



Boulon M6 de 20 mm  
Qté : 28+2 de rechange

**FF**



Boulon M6 de 65 mm  
Qté : 8+1 de rechange

**GG**



Capuchon en plastique M6  
Qté : 44+3 de rechange

**HH**



Piquet de 8 mm  
dia. x 180 mm  
Qté : 10

**II**



Rondelle M6  
Qté : 20 + 1 de rechange

**Z1**



Clé hexagonale M6  
Qté : 2



## **CONSIGNES DE SÉCURITÉ**

---

Assurez-vous de lire et de comprendre l'intégralité de ce manuel avant de tenter d'assembler, d'utiliser ou d'installer le produit.

## **AVERTISSEMENT**

- Assurez-vous que les enfants et les animaux ne s'approchent pas de l'endroit où vous assemblez l'article. Surveillez les enfants et les animaux pendant l'assemblage du pavillon de jardin.
- Le pavillon de jardin assemblé doit se situer à au moins 1,83 m de toute forme d'obstacle, par exemple une clôture, un garage, une maison, des branches saillantes, une corde à linge ou des fils électriques.
- Certaines pièces peuvent avoir des bords coupants. Au besoin, portez des gants protecteurs pendant l'assemblage.
- Cet article est lourd. Pour des raisons de sécurité, n'assemblez pas cet article seul. Pour plus de sécurité, il est recommandé d'assembler cet article en groupe de trois à quatre personnes.
- Gardez les flammes et autres sources de chaleur à distance de la toile. Cette toile est faite d'un tissu qui satisfait aux normes CPAI-84 pour une résistance aux flammes. Elle n'est pas ignifugée. Cette toile brûlera si elle est laissée en contact continu avec une flamme. L'application de toute substance étrangère sur la toile pourrait nuire à l'efficacité de ses propriétés de résistance aux flammes.
- Vérifiez tous les boulons et les écrous périodiquement afin de vous assurer qu'ils sont serrés. Au besoin, resserrez-les.
- Bien que ce pavillon de jardin soit fabriqué pour résister aux vents à l'aide des piquets de sol seulement, vous devriez envisager de le fixer à une terrasse, à une terrasse en béton ou à des semelles de fondation s'il est installé dans un endroit fréquemment touché par du temps violent.
- N'utilisez pas une échelle qui s'appuie sur le pavillon de jardin et ne grimpez pas sur le toit.
- N'utilisez pas le pavillon de jardin et n'y entrez pas en présence de l'une des conditions suivantes ou d'une condition semblable :
  1. Mouvement visible des éléments porteurs ou des pans de toiture, ou toit qui s'affaisse.
  2. Craquements ou bruit audible provenant du pavillon de jardin.
  3. Fissures, bris ou défauts des éléments porteurs ou des panneaux de toit.
  4. Fixations manquantes ou endommagées.

## ATTENTION

Installez le pavillon de jardin sur un sol de niveau. Des piquets sont fournis pour ancrer le pavillon de jardin au sol. N'assemblez pas le pavillon de jardin sur un sol sablonneux, boueux ou meuble, puisque les piquets n'ont pas une bonne capacité d'ancrage dans ces sols. Si vous désirez ancrer le pavillon de jardin dans une terrasse en bois ou une surface en ciment, utilisez des chevilles d'ancrage adaptées à ces surfaces. La neige doit être retirée régulièrement lors de jours enneigés. Retirez la neige du toit lorsque l'accumulation dépasse 5,08 centimètres. Pour prévenir les dommages, utilisez un râteau en plastique afin de déplacer l'excès de neige et l'accumulation de glace du toit. Restez loin des chutes de débris. L'assemblage ou l'entretien du produit doit être effectué par un adulte seulement. Veuillez vérifier les règlements locaux et provinciaux avant d'acheter le produit. Certaines autorités peuvent exiger un permis pour l'installation et l'utilisation de l'abri contre le soleil. Certaines procédures particulières peuvent s'appliquer à votre région.

Pour un usage à l'extérieur seulement.

Si la peinture est égratignée, veuillez effectuer des retouches pour empêcher la rouille.

## **PRÉPARATION**

---

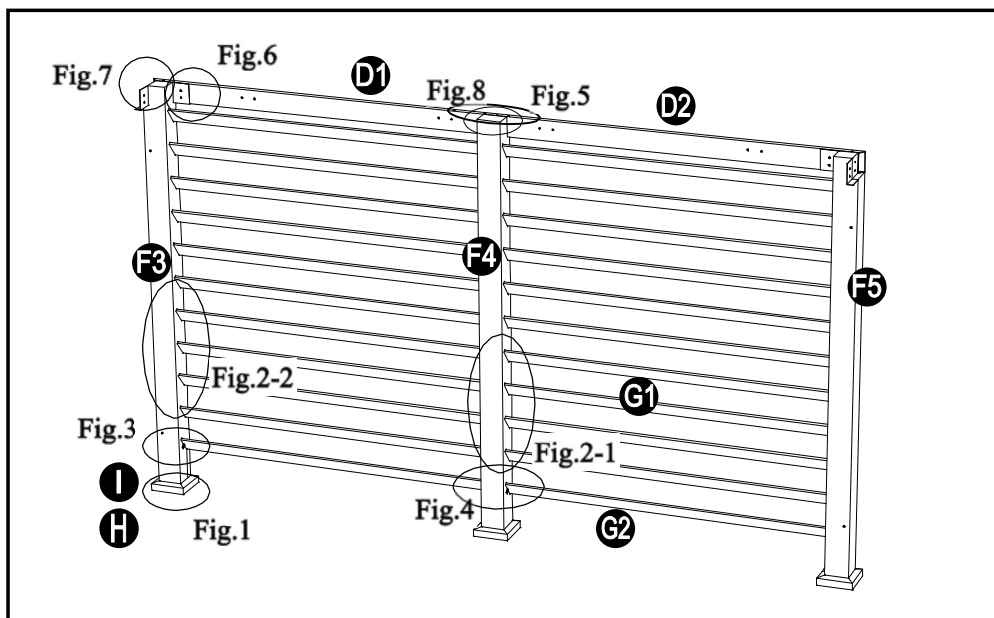
Avant de commencer l'assemblage du produit, assurez-vous d'avoir toutes les pièces. Comparez le contenu de l'emballage avec la liste des pièces et celle de la quincaillerie incluse. S'il y a des pièces manquantes ou endommagées, ne tentez pas d'assembler l'article.

Temps d'assemblage approximatif : de 60 à 90 minutes.

Outils nécessaires pour l'assemblage (inclus) : clé et clé hexagonale.

Outils nécessaires pour l'assemblage (non inclus) : marteau et 2 échelles (d'au moins 2,49 m de haut).

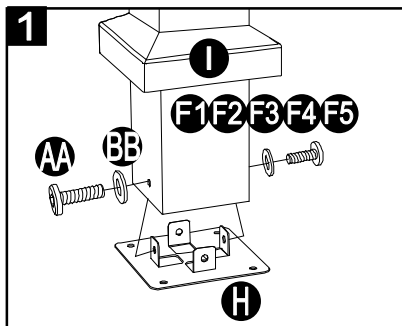
## INSTRUCTIONS POUR L'ASSEMBLAGE



1. Fixez le capuchon de base (I) aux poteaux (F1, F2, F3, F4 et F5). Ensuite, fixez la base (H) aux poteaux à l'aide de boulons (AA) et de rondelles plates (BB). Serrez le tout à l'aide de la clé hexagonale (Z1).

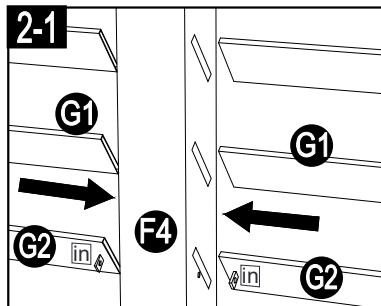
### Quincaillerie utilisée

- AA** Boulon M6 de 15 mm  x 10
- BB** Rondelle plate M6  x 10
- Z1** Clé hexagonale M6  x 1

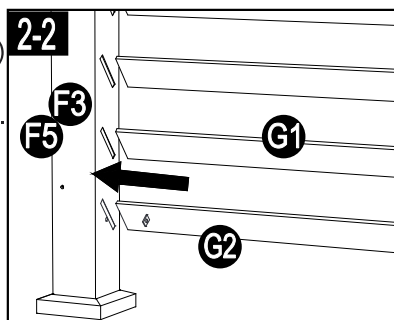


## INSTRUCTIONS POUR L'ASSEMBLAGE

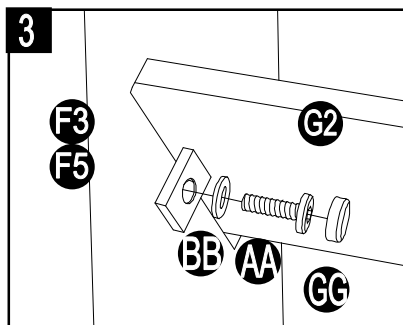
2-1. Insérez le tube décoratif (G1) et le tube décoratif inférieur (G2) à la rainure du poteau arrière central (F4). Veuillez noter : le tube décoratif inférieur (G2) muni d'une étiquette devrait être orienté vers l'intérieur.



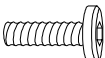



2-2. Raccordez le poteau arrière gauche (F3) et le poteau arrière droit (F5) au tube décoratif (G1) et au tube décoratif inférieur (G2) en respectant la direction de la rainure du poteau.



3. Raccordez le tube décoratif inférieur (G2) aux poteaux (F3 et F5) à l'aide de boulons (AA) et de rondelles plates (BB). Ensuite, couvrez-les avec les capuchons en plastique (GG). Serrez le tout à l'aide de la clé hexagonale (Z1).



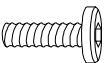


### Quincaillerie utilisée

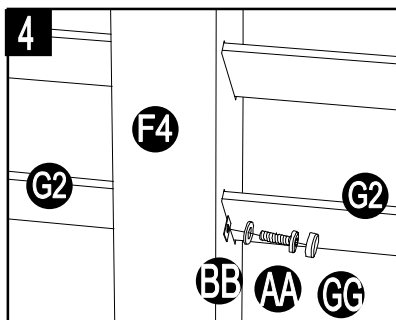
- AA** Boulon M6 de 15 mm  x 2
- BB** Rondelle plate M6  x 2
- GG** Capuchon en plastique M6  x 2
- Z1** Clé hexagonale M6  x 1

## INSTRUCTIONS POUR L'ASSEMBLAGE

4. Raccordez le tube décoratif inférieur (G2) au poteau (F4) à l'aide de boulons (AA) et de rondelles plates (BB), et couvrez-les avec les capuchons en plastique (GG). Serrez le tout à l'aide de la clé hexagonale (Z1).

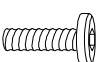

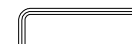
### Quincaillerie utilisée

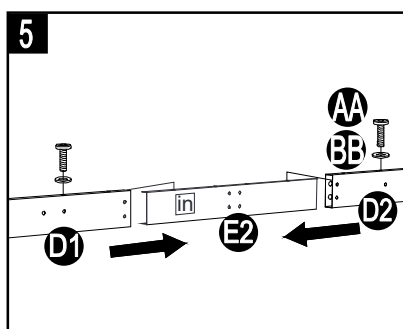
- AA** Boulon M6 de 15 mm  x 2  
**BB** Rondelle plate M6  x 2  
**GG** Capuchon en plastique M6  x 2  
**Z1** Clé hexagonale M6  x 1



5. Fixez la traverse arrière gauche (D1) et la traverse arrière droite (D2) au raccord de traverse (E2) à l'aide de boulons (AA) et de rondelles plates (BB). Serrez le tout à l'aide de la clé hexagonale (Z1).

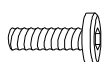



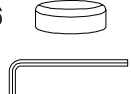
### Quincaillerie utilisée

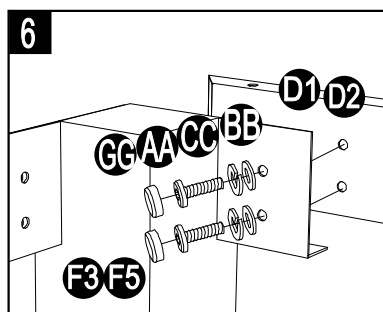
- AA** Boulon M6 de 15 mm  x 2  
**BB** Rondelle plate M6  x 2  
**Z1** Clé hexagonale M6  x 1



6. Fixez les traverses arrière assemblées (D1 et D2) aux poteaux (F3 et F5) à l'aide de boulons (AA), de rondelles plates (BB) et de rondelles à ressort (CC). Assemblez-les de l'intérieur. Ensuite, couvrez-les avec les capuchons en plastique (GG). Serrez le tout à l'aide de la clé hexagonale (Z1).

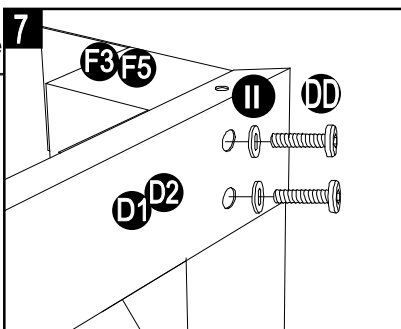
### Quincaillerie utilisée

- AA** Boulon M6 de 15 mm  x 4  
**BB** Rondelle plate M6 M6  x 4  
**CC** Rondelle à ressort M6  x 4  
**GG** Capuchon en plastique M6  x 4  
**Z1** Clé hexagonale M6  x 1


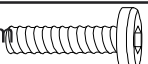






## INSTRUCTIONS POUR L'ASSEMBLAGE

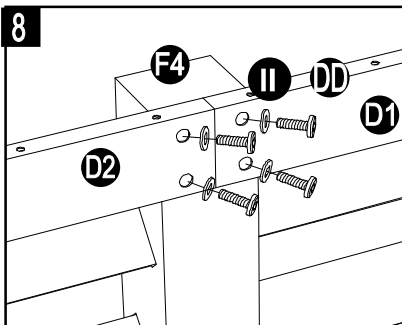
7. Raccordez les traverses arrière assemblées (D1 et D2) aux poteaux (F3 et F5) à l'aide de boulons (DD) et de rondelles (II), assemblez-les de l'extérieur. Serrez le tout à l'aide de la clé hexagonale (Z1).



### Quincaillerie utilisée

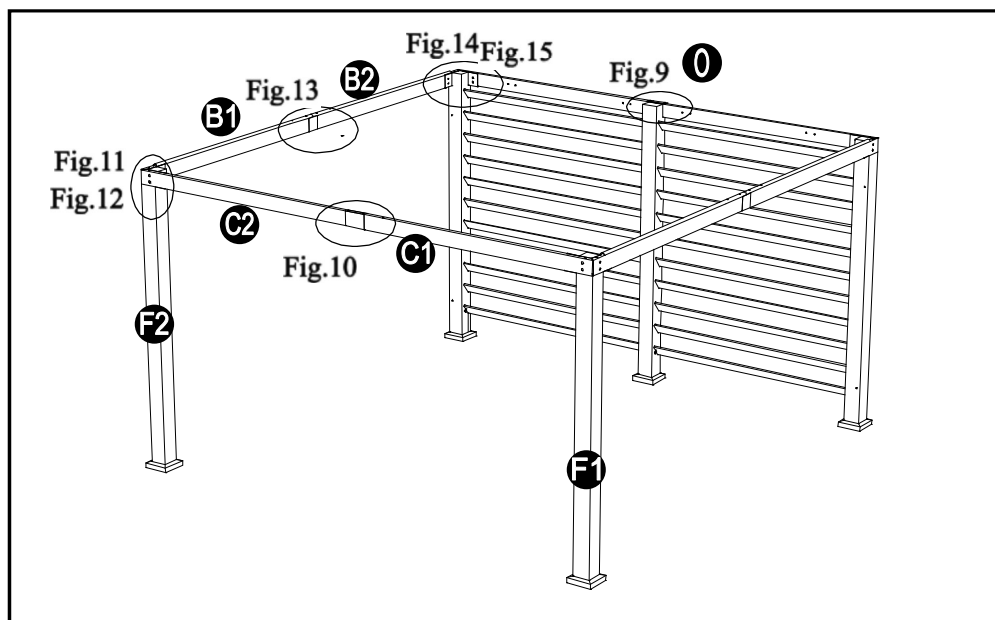
-  Boulon M6 de 15 mm  x 4
-  Rondelle M6  x 4
-  Clé hexagonale M6  x 1

8. Raccordez les traverses arrière assemblées (D1 et D2) aux poteaux (F4) à l'aide de boulons (DD) et de rondelles (II). Serrez le tout à l'aide de la clé hexagonale (Z1).



### Quincaillerie utilisée

-  Boulon M6 de 15 mm  x 4
-  Rondelle M6  x 4
-  Clé hexagonale M6  x 1

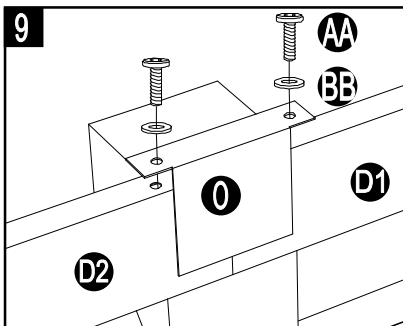


## INSTRUCTIONS POUR L'ASSEMBLAGE

9. Fixez le couvercle de traverse (O) aux traverses arrière assemblées (D1 et D2) à l'aide de boulons (AA) et de rondelles plates (BB). Serrez le tout à l'aide de la clé hexagonale (Z1).

### Quincaillerie utilisée

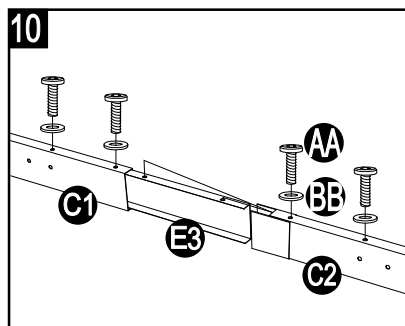
- AA** Boulon M6 de 15 mm  x 2
- BB** Rondelle plate M6  x 2
- Z1** Clé hexagonale M6  x 1



10. Raccordez la traverse avant courte (C1) et la traverse avant longue (C2) au raccord de traverse (E3) à l'aide de boulons (AA) et de rondelles plates (BB). Serrez le tout à l'aide de la clé hexagonale (Z1).

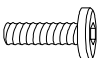




### Quincaillerie utilisée

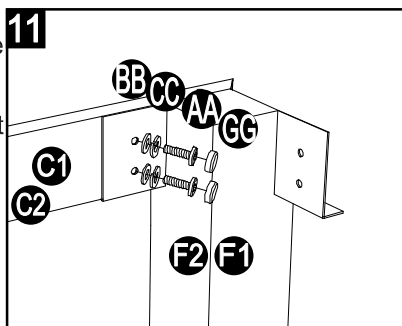
- AA** Boulon M6 de 15 mm  x 4
- BB** Rondelle plate M6  x 4
- Z1** Clé hexagonale M6  x 1



11. Fixez les traverses avant assemblées (C1 et C2) aux poteaux (F1 et F2) à l'aide de boulons (AA), de rondelles plates (BB) et de rondelles à ressort (CC). Assemblez-les de l'intérieur. Ensuite, couvrez-les avec les capuchons en plastique (GG). Serrez le tout à l'aide de la clé hexagonale (Z1).

### Quincaillerie utilisée

- AA** Boulon M6 de 15 mm  x 4
- BB** Rondelle plate M6 M6  x 4
- CC** Rondelle à ressort M6  x 4
- GG** Capuchon en plastique M6  x 4
- Z1** Clé hexagonale M6  x 1

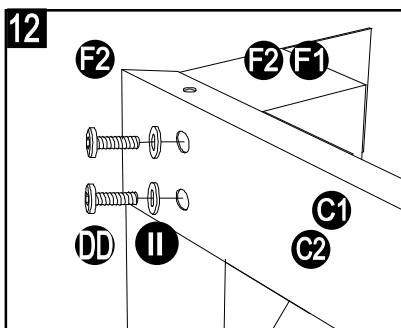


## INSTRUCTIONS POUR L'ASSEMBLAGE

12. Raccordez les traverses avant (C1 et C2) aux poteaux (F1 et F2) à l'aide de boulons (DD) et de rondelles M6 (II). Assemblez-les de l'extérieur. Serrez le tout à l'aide de la clé hexagonale (Z1).

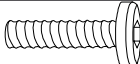


### Quincaillerie utilisée

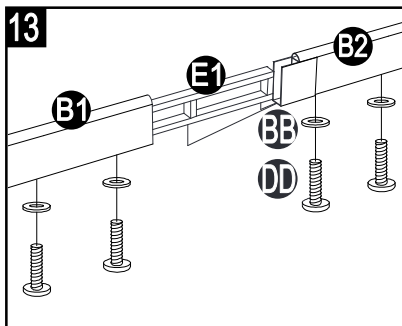
- DD** Boulon M6 de 20 mm  x 4
- II** Rondelle M6  x 4
- Z1** Clé hexagonale M6  x 1



13. Raccordez la traverse courte du côté court (B1) et la traverse longue du côté court (B2) au raccord de traverse (E1) à l'aide de boulons (DD) et de rondelles plates (BB). Serrez le tout à l'aide de la clé hexagonale (Z1).

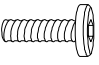




### Quincaillerie utilisée

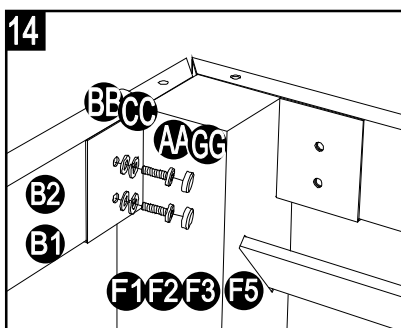
- DD** Boulon M6 de 20 mm  x 8
- BB** Rondelle plate M6  x 8
- Z1** Clé hexagonale M6  x 1



14. Fixez les traverses arrière assemblées (B1 et B2) aux poteaux (F1, F2, F3 et F5) à l'aide de boulons (AA), de rondelles plates (BB) et de rondelles à ressort (CC). Assemblez-les de l'intérieur. Ensuite, couvrez-les avec les capuchons en plastique (GG). Serrez le tout à l'aide de la clé hexagonale (Z1).

### Quincaillerie utilisée

- AA** Boulon M6 de 15 mm  x 8
- BB** Rondelle plate M6 M6  x 8
- CC** Rondelle à ressort M6  x 8
- GG** Capuchon en plastique M6  x 8
- Z1** Clé hexagonale M6  x 1



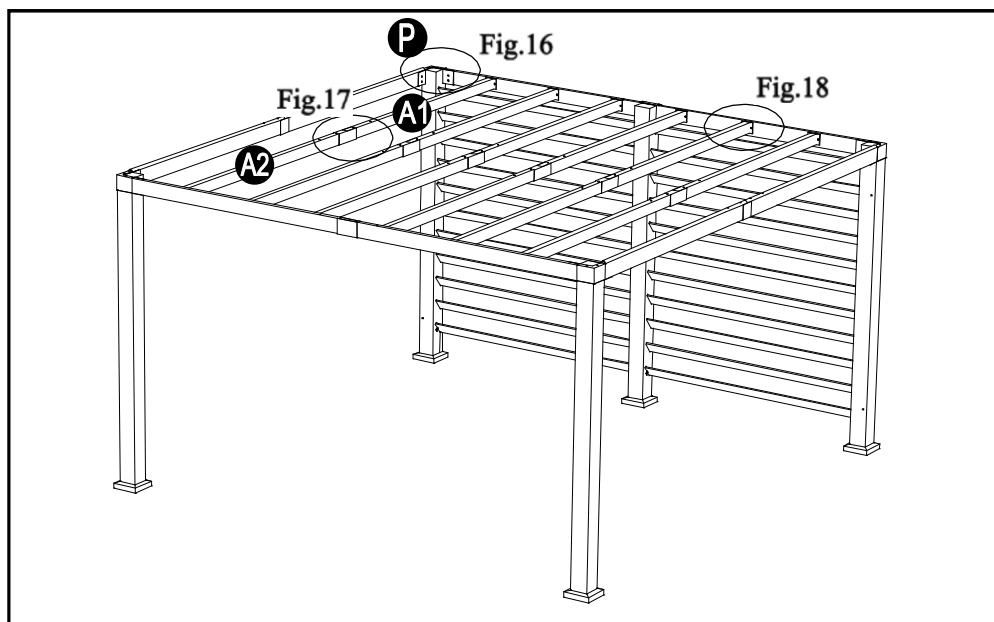
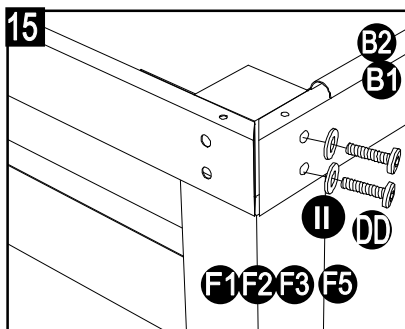


## INSTRUCTIONS POUR L'ASSEMBLAGE

15. Raccordez les traverses (B1 et B2) aux poteaux (F1, F2, F3 et F5) à l'aide de boulons (DD) et de rondelles (II).  
Assemblez-les de l'extérieur. Serrez le tout à l'aide de la clé hexagonale (Z1).

### Quincaillerie utilisée

- |                              |   |     |
|------------------------------|---|-----|
| <b>DD</b> Boulon M6 de 20 mm |  | x 8 |
| <b>II</b> Rondelle M6        |  | x 8 |
| <b>Z1</b> Clé hexagonale M6  |  | x 1 |

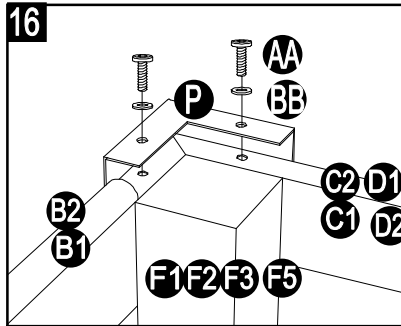


## INSTRUCTIONS POUR L'ASSEMBLAGE

16. Fixez le couvercle de coin (P) à la traverse courte du côté court (B1) et à la traverse longue du côté court (B2) à l'aide de boulons (AA) et de rondelles plates (BB). Serrez le tout à l'aide de la clé hexagonale (Z1).

### Quincaillerie utilisée

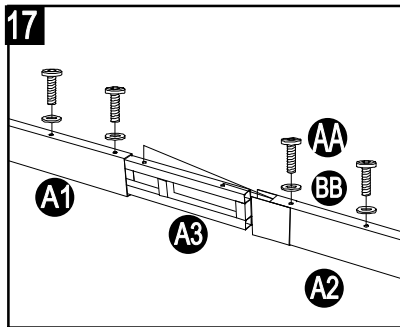
- AA** Boulon M6 de 15 mm  x 8
- BB** Rondelle plate M6  x 8
- Z1** Clé hexagonale M6  x 1



17. Raccordez les traverses courtes (A1 et A2) au raccord de traverse (A3) à l'aide de boulons (AA) et de rondelles plates (BB). Serrez le tout à l'aide de la clé hexagonale (Z1).

### Quincaillerie utilisée

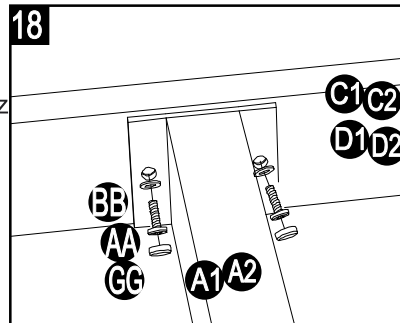
- AA** Boulon M6 de 15 mm  x 24
- BB** Rondelle plate M6  x 24
- Z1** Clé hexagonale M6  x 1

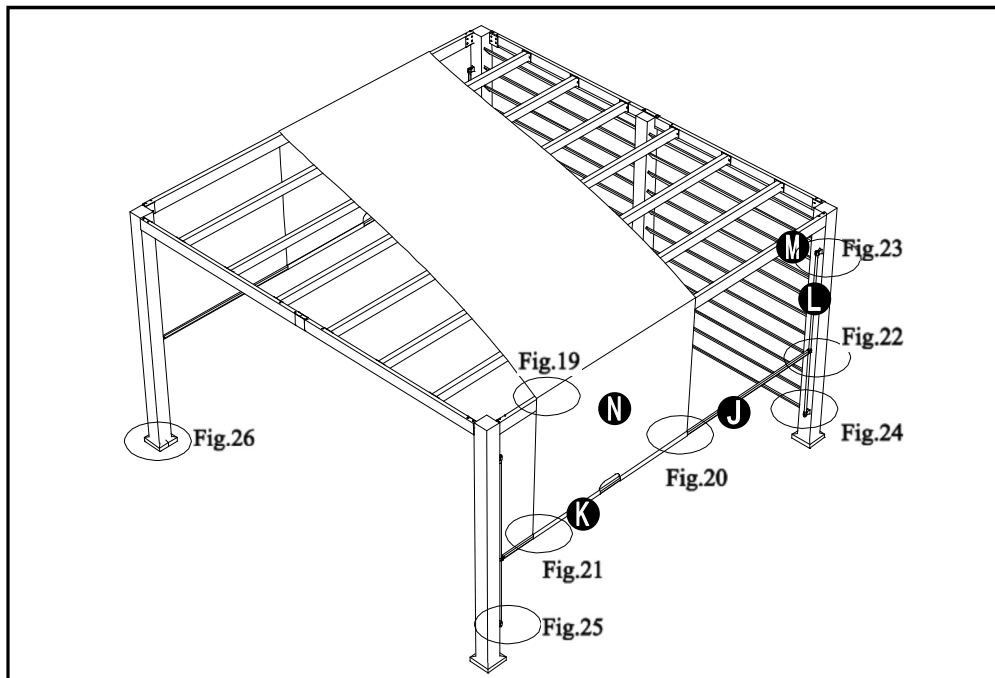


18. Fixez les traverses courtes assemblées (A1 et A2) à la traverse arrière gauche (D1), à la traverse arrière droite (D2), à la traverse avant courte (C1) et à la traverse avant longue (C2) à l'aide de boulons (AA) et de rondelles plates (BB). Ensuite, couvrez-les avec les capuchons en plastique (GG). Serrez le tout à l'aide de la clé hexagonale (Z1).

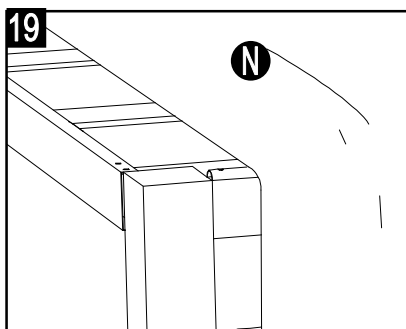
### Quincaillerie utilisée

- AA** Boulon M6 de 15 mm  x 24
- BB** Rondelle plate M6  x 24
- GG** Capuchon en plastique M6  x 24
- Z1** Clé hexagonale M6  x 1





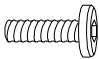



19. Placez l'auvent (N) sur le pavillon de jardin.

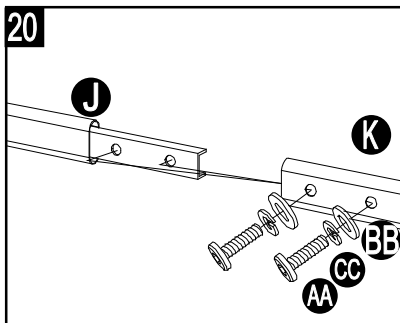


## INSTRUCTIONS POUR L'ASSEMBLAGE

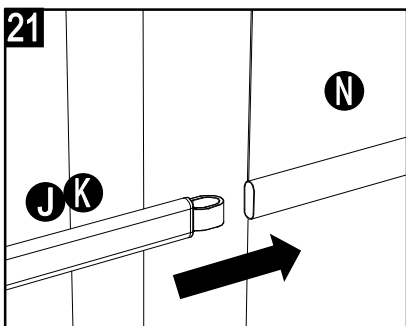
20. Raccordez le tube pour la toile 1 (J) au tube pour la toile 2 (K) à l'aide de boulons (AA) et de rondelles plates (BB) et de rondelles à ressort (CC). Serrez le tout à l'aide de la clé hexagonale (Z1).

### Quincaillerie utilisée

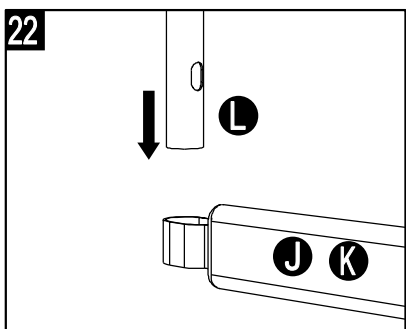
- |           |                       |   |     |
|-----------|-----------------------|---|-----|
| <b>AA</b> | Boulon M6 de 15 mm    |  | x 4 |
| <b>BB</b> | Rondelle plate M6     |  | x 4 |
| <b>CC</b> | Rondelle à ressort M6 |  | x 4 |
| <b>Z1</b> | Clé hexagonale M6     |  | x 1 |



21. Après avoir placé l'auvent (N) sur le pavillon de jardin, insérez les tubes pour la toile assemblés (J et K) dans le bas de l'auvent (N).



22. Insérez le tube de guidage (L) dans les tubes pour la toile (J et K).



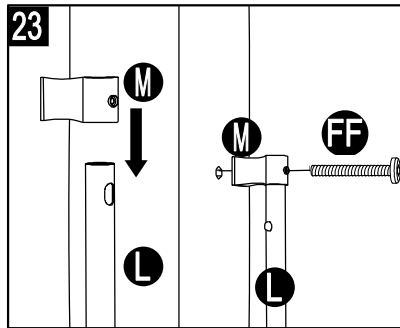
## INSTRUCTIONS POUR L'ASSEMBLAGE

23. Fixez le raccord de tube pour la toile (M) au tube pour la toile (L) à partir du haut à l'aide de boulons (FF). Serrez le tout à l'aide de la clé hexagonale (Z1).

### Hardware Used

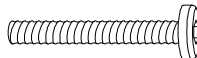
**FF** Boulon M6 de 65 mm  x 4

**Z1** Clé hexagonale M6  x 1

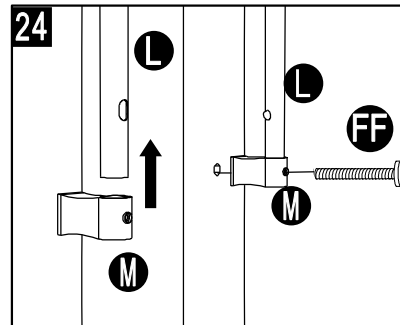


24. Fixez le raccord de tube pour la toile (M) au tube pour la toile (L) à partir du bas à l'aide de boulons (FF). Serrez le tout à l'aide de la clé hexagonale (Z1).

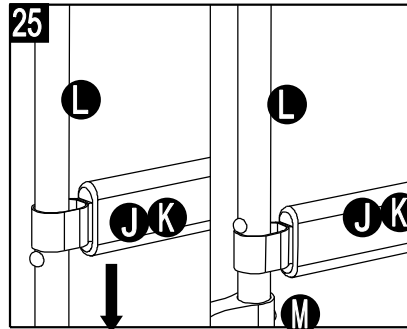
### Quincaillerie utilisée

**FF** Boulon M6 de 65 mm  x 4

**Z1** Clé hexagonale M6  x 1




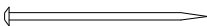
25. Tirez les tubes pour la toile (J et K) vers le bas de la traverse (L) et fixez-les à l'aide du butoir afin d'éviter qu'ils se déplacent de haut en bas.

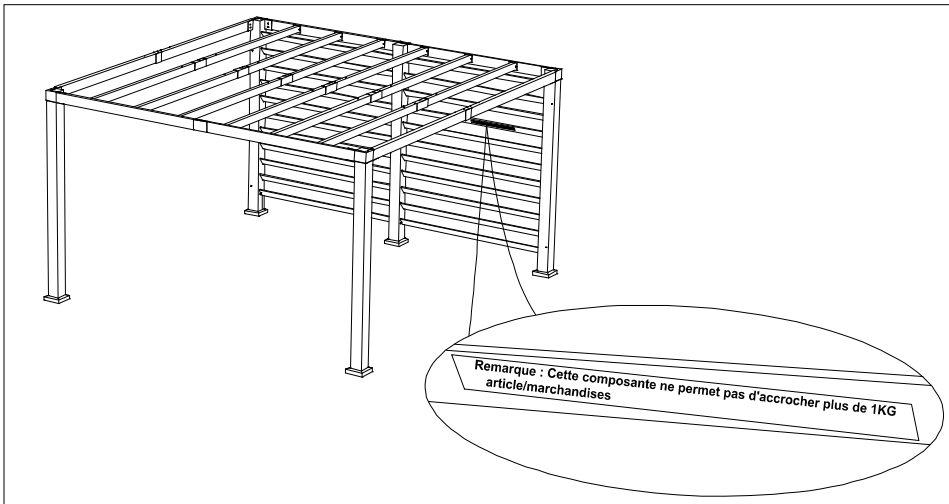
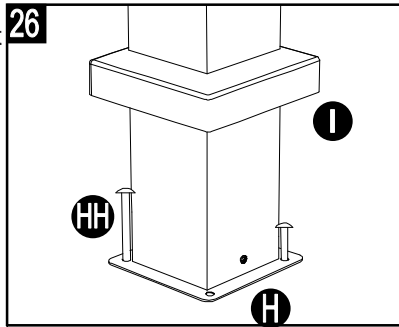


## INSTRUCTIONS POUR L'ASSEMBLAGE

26. Soulevez le capuchon de base (I), puis fixez le pavillon de jardin au sol en insérant des piquets (HH) à travers la base (H).

### Quincaillerie utilisée

 Piquet de 8 mm  
dia. x 180 mm  x 10



## **ENTRETIEN**

---

Les pièces en acier de ce pavillon de jardin sont traitées avec une peinture antirouille. Toutefois, en raison de la nature de l'acier, une oxydation de la surface (rouille) se produira si ces revêtements protecteurs sont égratignés. La garantie ne couvre pas ce phénomène puisqu'il ne s'agit pas d'un défaut. Afin de minimiser cette situation et d'éviter d'égratigner la peinture, nous vous recommandons d'être prudent lors de l'assemblage et de la manipulation du produit. En cas d'égratignure ou de dommage, il est recommandé de couvrir cette zone immédiatement à l'aide de peinture antirouille (non incluse). La rouille de surface peut également être facilement retirée à l'aide d'une très légère application d'huile de cuisson ordinaire ou de WD-40. Si une oxydation de la surface se produit et qu'aucune mesure n'est prise afin de corriger la situation, la rouille pourrait couler sur la terrasse et causer des taches dommageables qui peuvent être difficiles à enlever. Cela peut être évité si les mesures mentionnées ci-dessus sont prises pour empêcher l'oxydation de l'article.

1. N'utilisez pas d'agent de blanchiment ou d'autres nettoyeurs abrasifs sur le toit ou sur les pièces formant l'armature.
2. Veuillez conserver le présent guide pour vous y référer ultérieurement.
3. Conservez l'emballage d'origine pour ranger le pavillon de jardin.

## **GARANTIE LIMITÉE DE UN AN**

---

Cette garantie limitée ne s'applique qu'à l'acheteur initial de l'article et se limite aux défauts de matériaux et de fabrication lorsque l'article a été correctement entretenu et qu'il a été utilisé à des fins personnelles et résidentielles. Veuillez noter que cette garantie ne dépasse pas une période de six mois. Vous pouvez vous procurer des pièces, des auvents, des rideaux et des moustiquaires de rechange après six mois, mais pour un temps limité seulement. Il est possible que votre couleur actuelle ne soit pas offerte. Cette garantie ne couvre pas les intempéries comme les vents violents, la neige ou la pluie excessive, ou d'autres conditions météorologiques extrêmes.

Le fabricant garantit cet article contre les défauts de matériaux et de fabrication pour une période de six mois. Si vous remarquez un défaut, veuillez téléphoner à notre service à la clientèle au 1 866 578-6569. Le fabricant ne paiera pas les frais de transport et de manutention et ne dédommagera pas l'acheteur ni aucun tiers pour l'assemblage ou le démontage de l'article. Cette garantie vous confère des droits précis. Il est possible que vous disposiez également d'autres droits, qui varient d'un État ou d'une province à l'autre.

## **GARANTIE LIMITÉE DE UN AN**

---

**Armatures.** L'armature en acier est garantie contre les défauts de matériaux et de fabrication pour une période de six mois à compter de la date d'achat. Les dommages aux armatures ou aux soudures causés par un assemblage inapproprié ou par une exposition à l'eau ou à des températures inférieures au point de congélation ne sont pas couverts.

**Finis.** Les finis peints sont garantis contre l'écaillage, les craquelures et le cloquage pour une période de six mois à compter de la date d'achat si l'article n'a pas été égratigné ni usé. Les ébréchures, les égratignures et la décoloration causées par l'usure normale et l'exposition aux éléments ne sont pas couvertes.

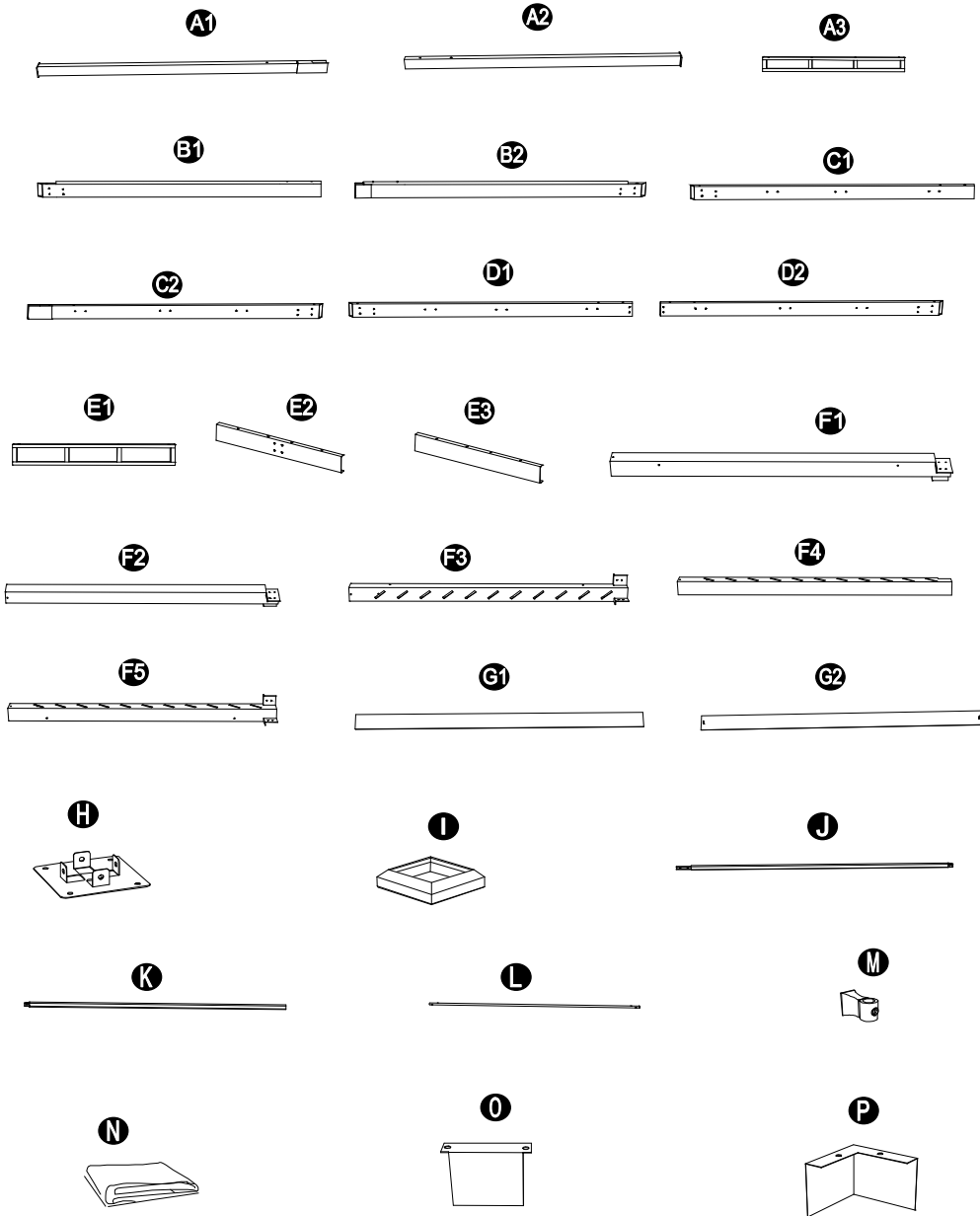
**Tissus.** Les auvents, les rideaux et les moustiquaires (s'il y a lieu) sont garantis contre la séparation des coutures pour une période de six mois à compter de la date d'achat. La décoloration causée par tout facteur, y compris l'exposition aux intempéries, aux huiles, aux déversements, aux liquides, aux produits chimiques ou à l'eau, n'est pas couverte.

**Osier.** Les courroies et les pièces tressées en osier (s'il y a lieu) sont garanties contre la séparation et la déchirure pour une période de six mois à compter de la date d'achat. La décoloration provoquée par tout facteur, y compris l'exposition aux intempéries, aux huiles, aux déversements, aux liquides ou aux produits chimiques, n'est pas couverte.



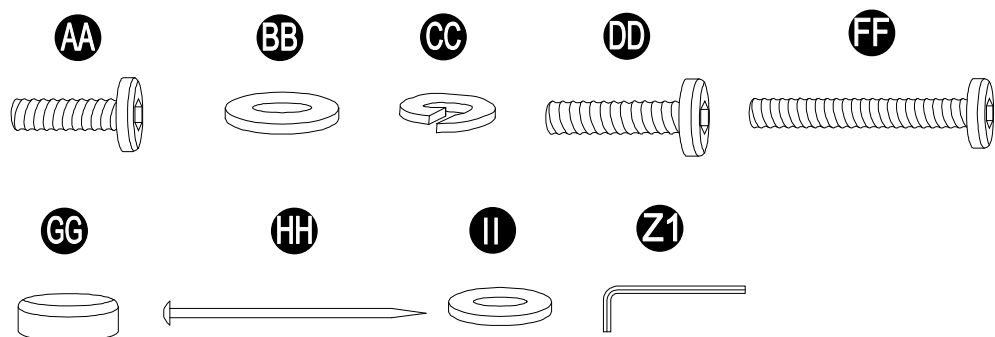
## LISTE DES PIÈCES DE RECHANGE

Pour obtenir des pièces de rechange, communiquez avec notre service à la clientèle au 1 866 578-6569.



## LISTE DES PIÈCES DE RECHANGE

Pour obtenir des pièces de rechange, communiquez avec notre service à la clientèle au 1 866 578-6569.



PIÈCE	DESCRIPTION	N° DE PIÈCE	PIÈCE	DESCRIPTION	N° DE PIÈCE
A1	Traverses courtes 1	P000600427	H	Base	P000100079
A2	Traverses courtes 2	P000600428	I	Capuchon de base	P006100053
A3	Raccord de traverse	P000500393	J	Tube pour toile 1	P005700139
B1	Traverse courte (côté court)	P000400319	K	Tube pour toile 2	P005700140
B2	Traverse longue (côté court)	P000400320	L	Tube de guidage	P005700141
C1	Traverse avant courte	P000400321	M	Raccord de tube de guidage	P000500392
C2	Traverse avant longue	P000400322	N	Auvent	P001100140
D1	Traverse arrière gauche	P000400323	O	Couvercle de traverse	P005600060
D2	Traverse arrière droite	P000400324	P	Couvercle de coin	P005600140
E1	Raccord de traverse 1	P000500391	AA	Boulon M6 de 15 mm	H010030030
E2	Raccord de traverse 2	P000500670	BB	Rondelle plate M6	H050010020
E3	Raccord de traverse 3	P000501083	CC	Rondelle à ressort M6	H050020016
F1	Poteau avant droit	P000200134	DD	Boulon M6 de 20 mm	H010030032
F2	Poteau avant gauche	P000200136	FF	Boulon M6 de 65 mm	H010030072
F3	Poteau arrière gauche	P000200138	GG	Capuchon en plastique M6	R070030008
F4	Poteau arrière central	P000200137	HH	Piquet de 8 mm dia. x 180 mm	H070010003
F5	Poteau arrière droit	P000200135	II	Rondelle M6	H050010057
G1	Tube décoratif	P005600064	Z1	Clé hexagonale M6	H090030003
G2	Tube décoratif inférieur	P005600059			

Imprimé en Chine  
Numéro de fabrication : 2020200007