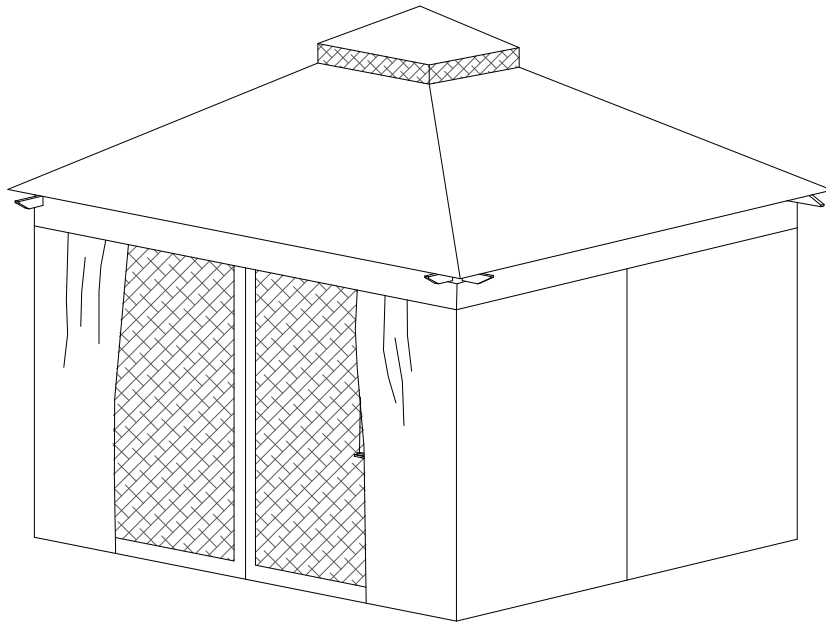


**ITEM No.: A101011700**



**WE HAVE YOU IN MIND, LET US SERVE YOU!**

Questions? Issues?

**CONTACT US**

24 hours / 7 days a week

 Warranty Parts

[www.sunjoyonline.com](http://www.sunjoyonline.com)



[customer.care@sunjoygroup.com](mailto:customer.care@sunjoygroup.com)

Toll Free 

1-(866)-578-6569

## Safety Information

- **Two people** are required for this assembly.
- Some parts may contain sharp edges. Wear protective gloves.
- When assembling and using this product, basic safety precautions should always be followed to reduce the risk of personal injury and damage to equipment. Please read all instructions before assembly and usage.



**CAUTION:** Do not climb on top of the gazebo. Falling off the gazebo can result in serious injury.

**NOTICE:** For outdoor use

**Warranty: 1 Year**



**DANGER:** This unit is heavy! Do not assemble this item alone.



**WARNING:** Do not leave the gazebo where there is a risk of high wind, as possible damage will occur to the structure.



**WARNING:** Keep all flame and heat sources away from this gazebo fabric. This Gazebo is made with fabric that meets CPAI-84 specifications for flame resistance. It is not fire proof. The fabric will burn if left in continuous contact with any flame source. The application of any foreign substance to the gazebo fabric may render the flame-resistant properties ineffective.

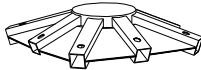
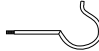



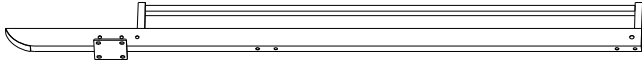
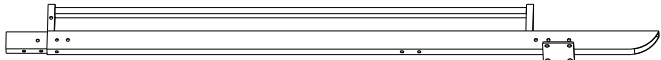
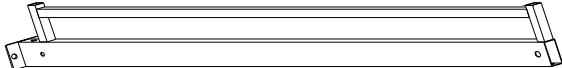
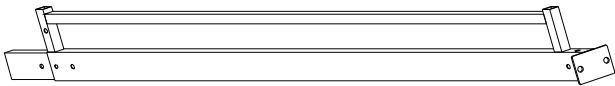
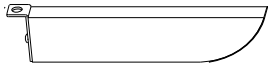

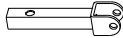
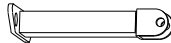



## WHAT IS COVER?

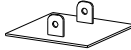
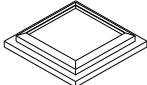




The limited warranty is extended to the original purchaser and applies to material and manufacturer's defect provided the item is maintained with care and used only for personal, residential purposes.

## IMPORTANT

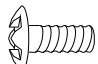

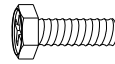
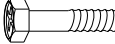
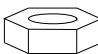

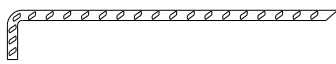
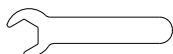
**KEEP THIS INSTRUCTION MANUAL FOR FUTURE REFERENCE.**

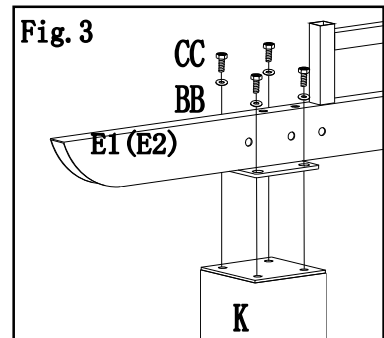
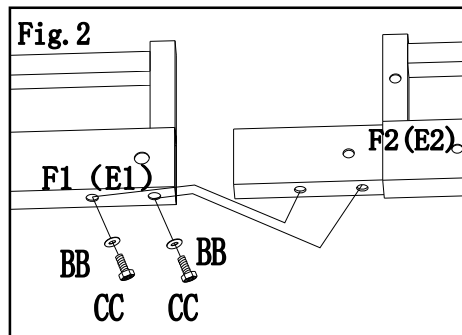
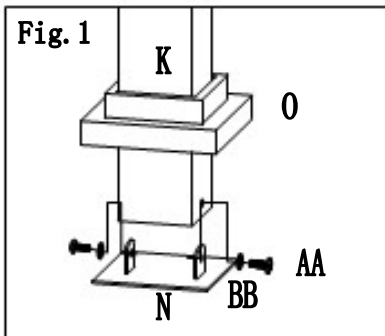
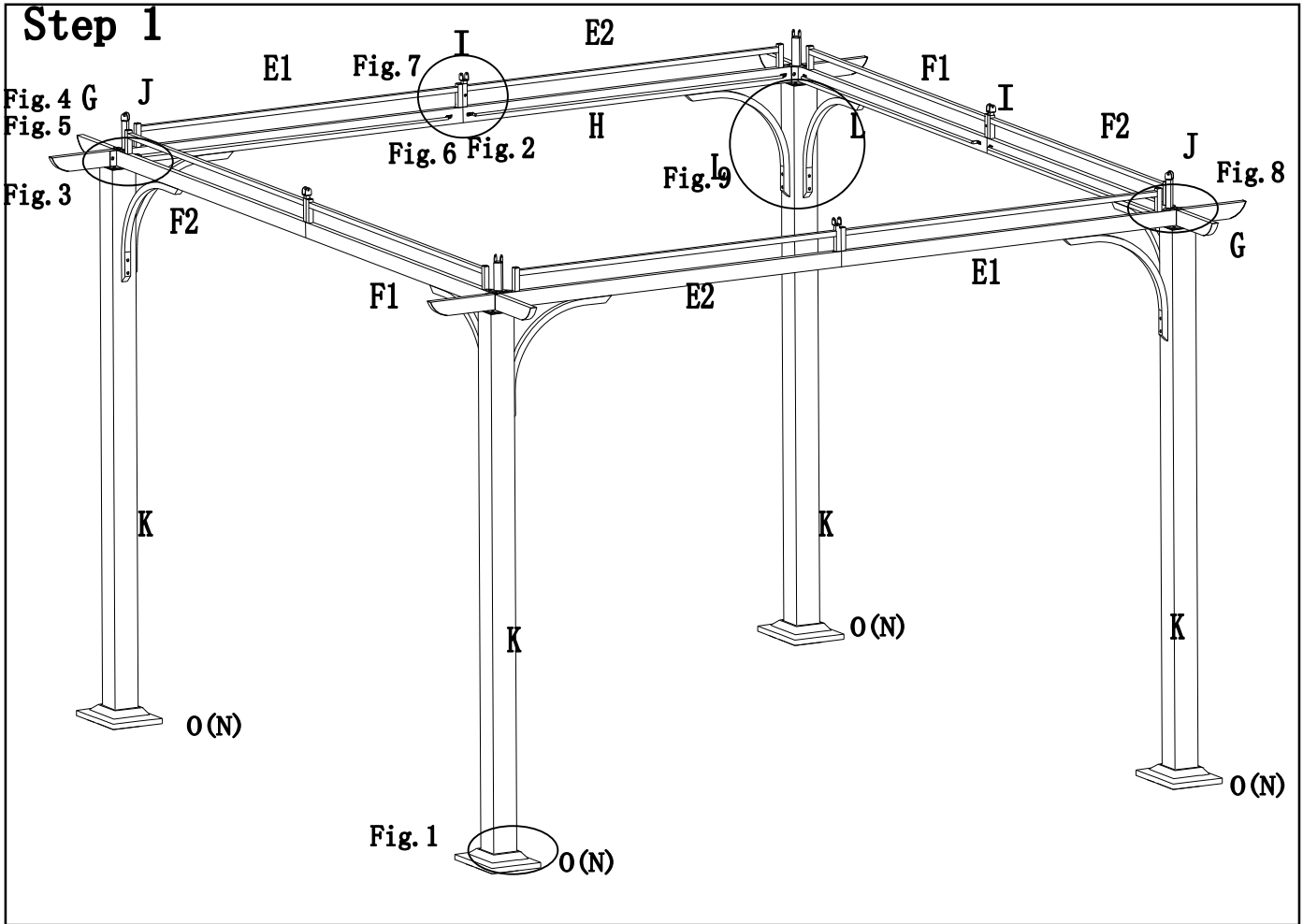
## Parts List

Description	Label	Part Number	Qty	Part Image
Top connector	A	P000501261	1	
Hook	B	P005800001	1	
Slant beam for big roof	C1	P000601481	4	
Pipe under for slant beam	C2	P000601483	4	
Middle beam	D	P000601482	4	
Long beam 1	E1	P000400945	2	
Long beam 2	E2	P000400944	2	
Short beam 1	F1	P000400943	2	
Short beam 2	F2	P000400942	2	
Decorative tube	G	P005600325	4	
Netting bar	H	P005700699	8	
Pipe under for middle beam	I	P000501262	4	
Pipe under for slant beam	J	P000501263	4	
Post	K	P000200488	4	
Support triangle	L	P005000446	8	
Adjust tube	M	P005700700	12	

Base	N	P000100347	4	
Base cover	O	P006100184	4	
Small canopy	P	P001100581	1	
Big canopy	Q	P001100582	1	
Mosquito netting	R	P001200228	1	
Curtain	S	P001300110	1	

### Hardware Pack

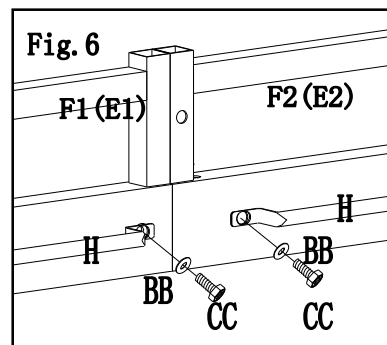
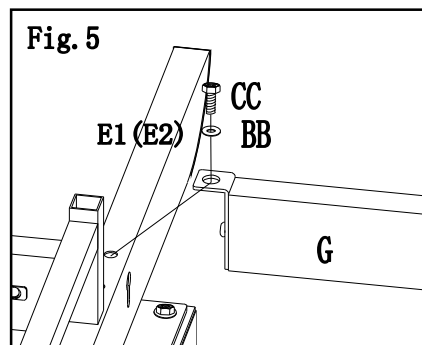
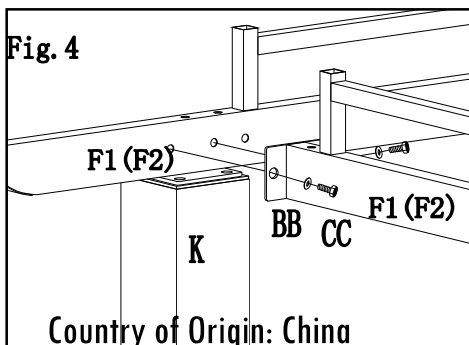
Label	Description	Part Number	Qty	Part Image
AA	M6*15 bolt	H010110016	8	
BB	M6 flat washer	H050010023	116	
CC	M6*20 bolt	H010020012	60	
DD	M6*35 bolt	H010020013	40	
EE	M6 Nut	H040010011	8	
FF	Ring	R079990136	96	
GG	Φ6*230 Stake	H070010008	8	
Z	Wrench M6	H090010009	2	



**Fig.1:** Put Base cover (O) through Post and lift up base cover, then attach base (N) to bottom of post by using bolt(AA), washer (BB).

**Fig.2:** Insert beam 2 (F2/E2) to beam 1 (F1/E1) by using bolt (CC) , washer (BB).

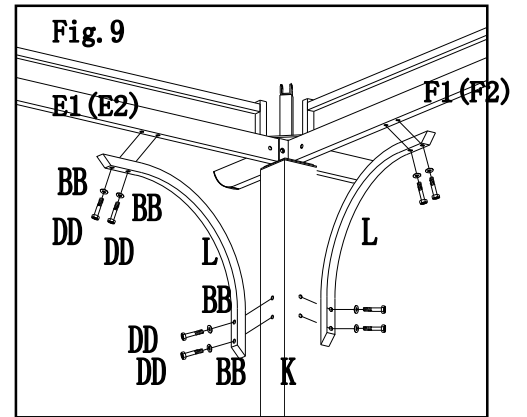
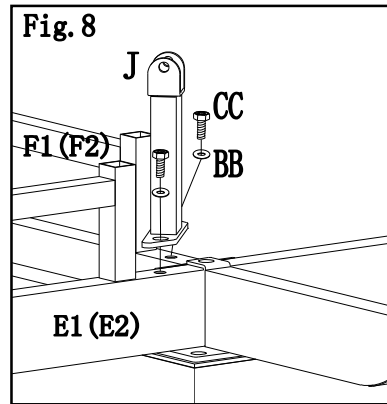
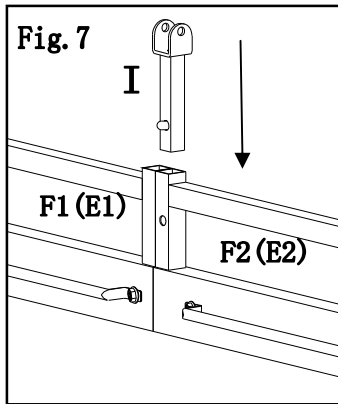
**Fig.3:** Attach long beam (E1/E2) to Post (K) by using bolt (CC) , washer (BB).



**Fig.4:** Attach short beam (F1/F2)to long beam(E1/E2) by using bolt (CC) , washer (BB).

**Fig.5:** Insert Decorative tube(G) to long beam (E1/E2) by using bolt (CC) , washer (BB).

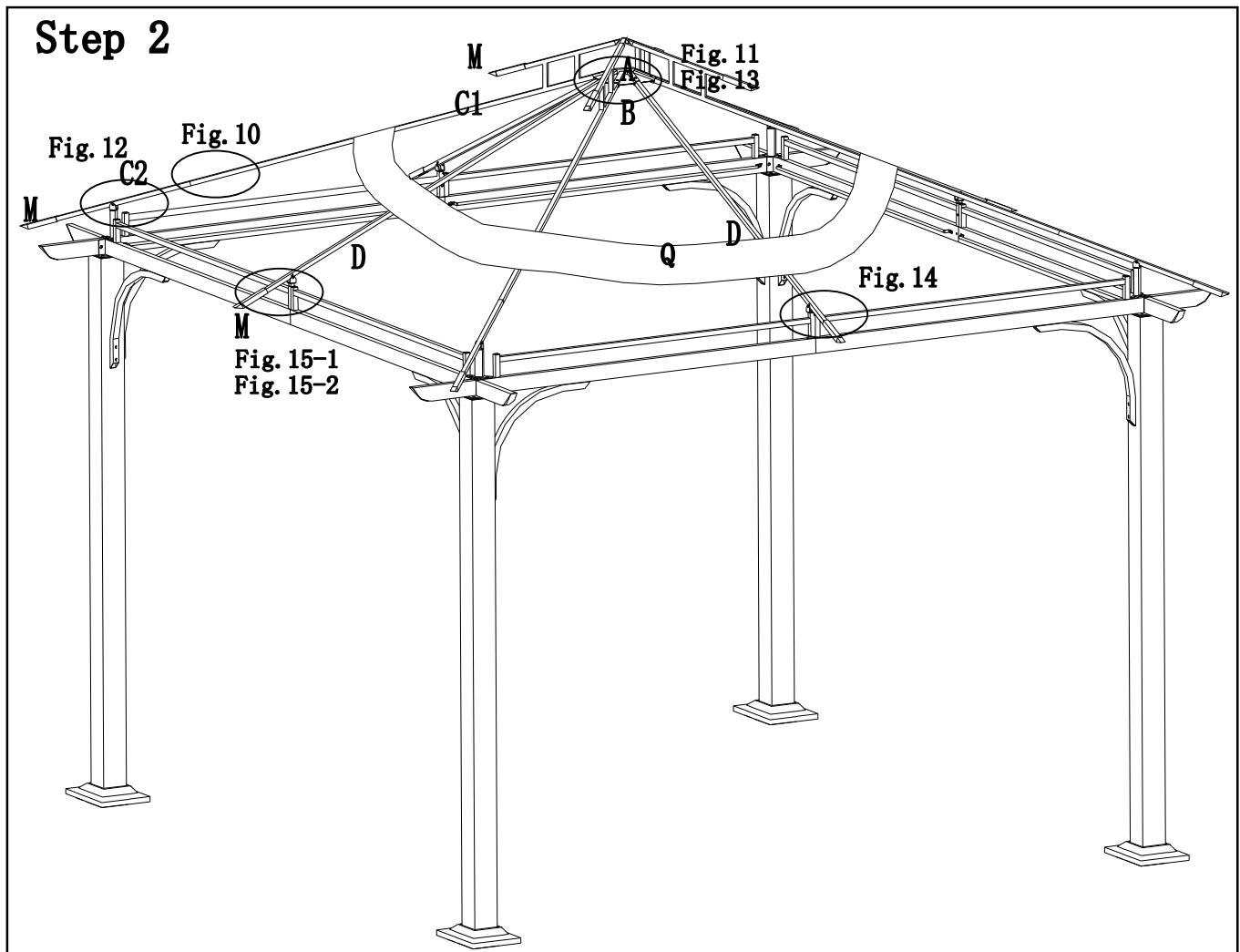
**Fig.6:** Attach Netting bar (H) to beam (F1/F2/E1/E2) by using bolt (CC) , washer (BB).

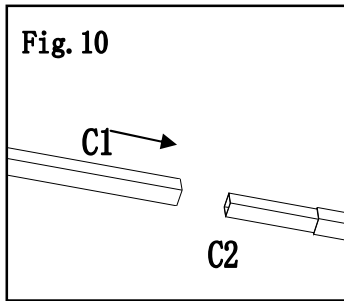


**Fig.7:** Insert Pipe under for middle beam (I) to beam (F2/E2) .

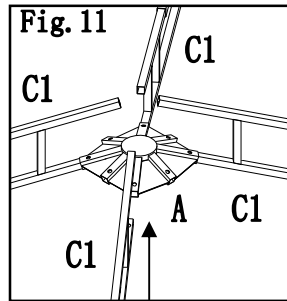
**Fig.8:** Attach Pipe under for slant beam (J) to beam (F1/F2/E1/E2) by using bolt (CC) , washer (BB).

**Fig.9:** Attach Support triangle (L) to Post (K) by using bolt (DD) , washer (BB).

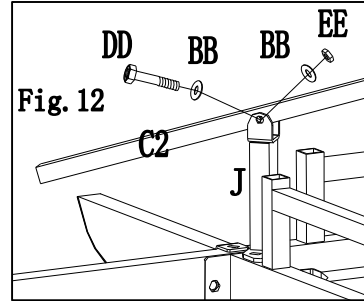




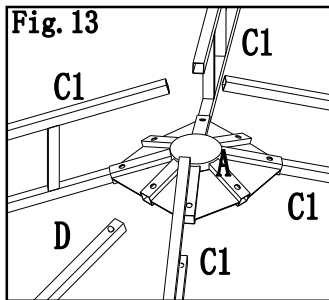
**Fig.10:** Insert Pipe under for slant beam (C2) to Slant beam for big roof (C1).



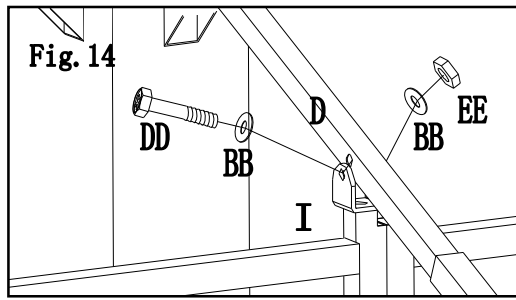
**Fig.11:** Insert Slant beam for big roof (C1) to Top connector (A) .



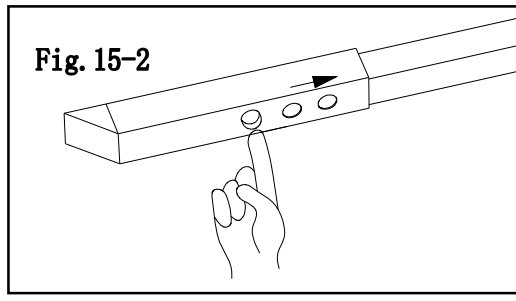
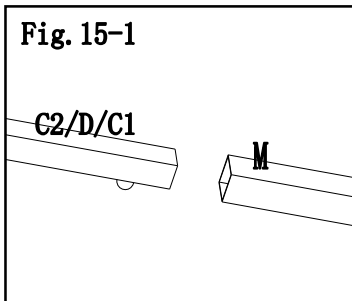
**Fig.12:** Attach Pipe under for slant beam (C2) to Pipe under for slant beam (J) by using bolt (DD) , washer (BB) and nut(EE).



**Fig.13:** Insert Middle beam (D) to Top connector (A) .

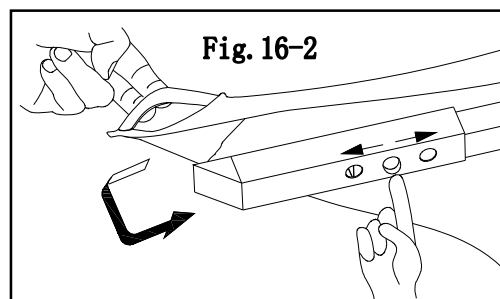
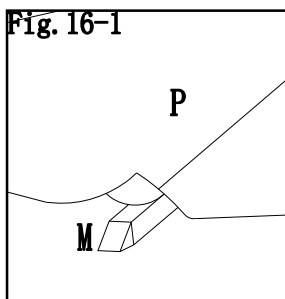
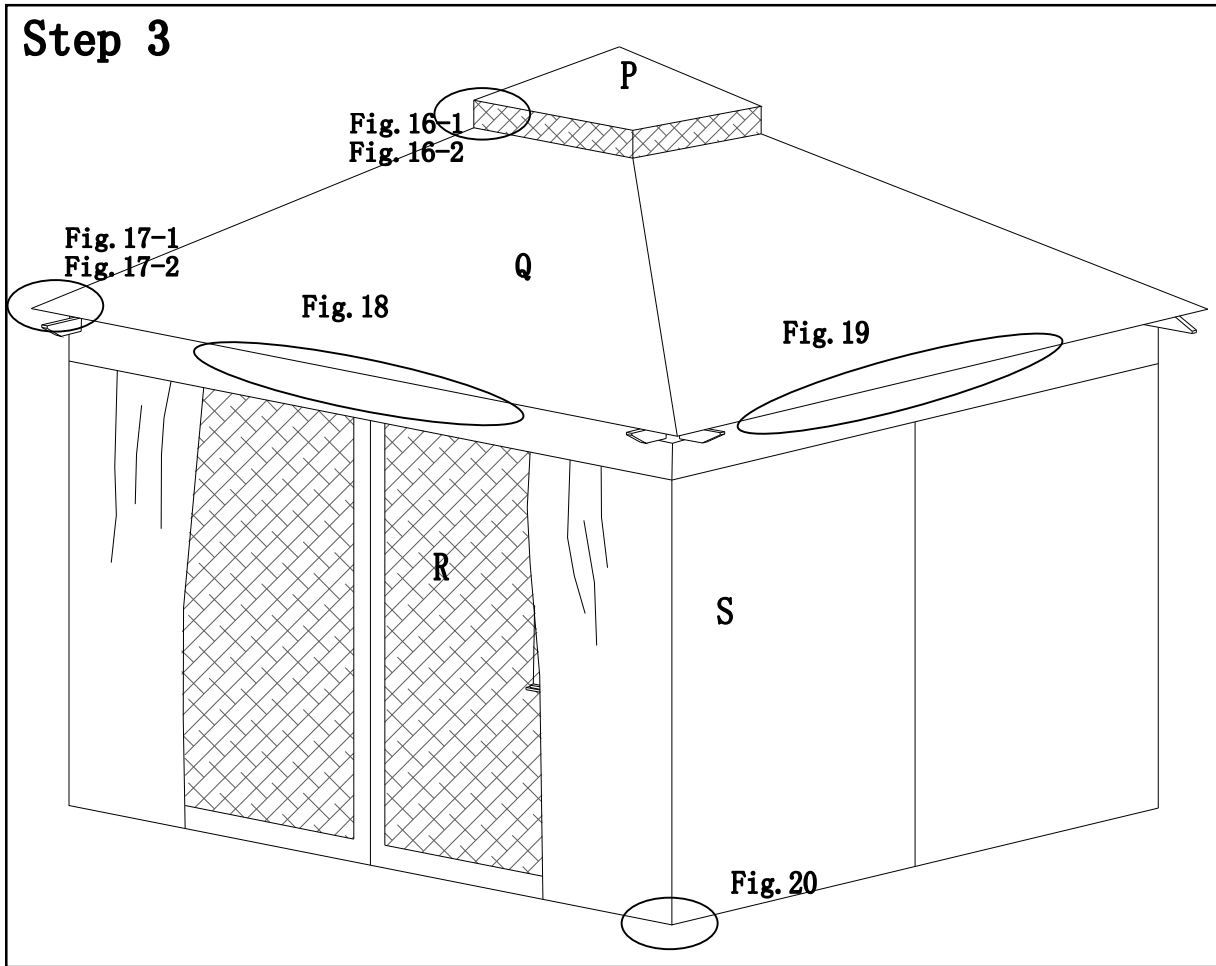


**Fig.14:** Attach Middle beam (D) to Pipe under for middle beam (I) by using bolt (DD) , washer (BB) and nut(EE).



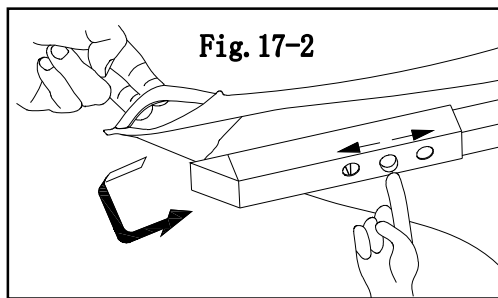
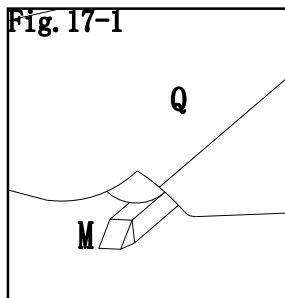
**Fig.15-1:** Insert adjust tube (M) to Pipe under for slant beam (C2) , Slant beam for big roof(C1) and middle beam(D).

**Fig.15-2:** Adjust the adjust tube (M) to the shortest length,then put Big canopy(Q),don't button up the corner.



**Fig.16-1:** Put small canopy (P) to small top ,then button up the corner to adjust tube.

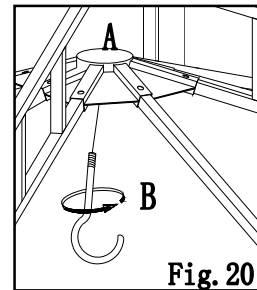
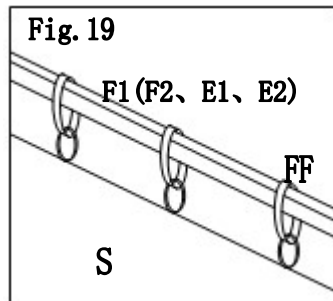
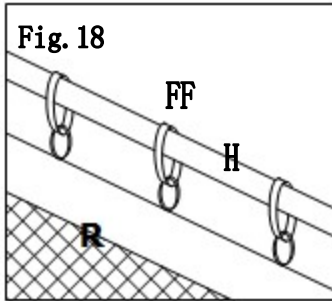
**Fig.16-2:** Adjust the adjust tube (M) to tightly.



**Fig.17-1:** Put big canopy (Q) to big top ,then button up the corner to adjust tube.

**Fig.17-2:** Adjust the adjust tube (M) to tightly.

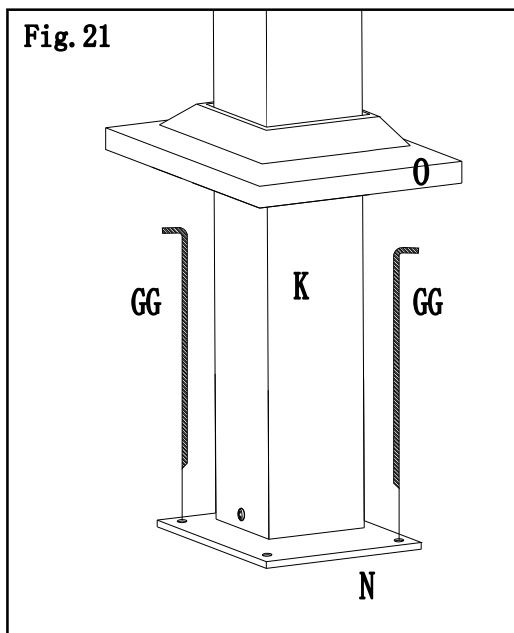




**Fig.18:** Hang Mosquito netting (R) to Netting bar (H) by using ring(FF).

**Fig.19:** Hang Curtain(S)to beam (F1、 F2、 E1、 E2) by using ring(FF).

**Fig.20:** Screw hook (B) to Top connector (A).。



**Fig.21:** By using stake(GG) fix assembled gazebo on ground.

## Care and Maintenance

- Our steel components for garden accessories and furniture are treated with rust inhibiting paint that protects it from rusting. However, due to the nature of steel, surface oxidation (rusting) will occur once these protective coatings are scratched. This is not a defect and thus not covered by the warranty.
- To minimize this condition, we recommend care when assembling & handling the product to prevent scratching the paint. Should any scratching or damage occur, we recommend immediate touch-up with rust inhibiting paint.
- Surface rust can also be easily removed with a very light application of common cooking oil. If surface oxidation (rusting) occurs and if no measure is taken to prevent this, the oxidation may start dripping on to deck or patio and caused damaging stains, which may be difficult to remove. This can be prevented if the above-mentioned measures are taken to keep the product from oxidizing.
- Use damp cloth to wipe off the stains as quickly as possible.
- If necessary, wash with a mild solution of soap and water; rinse thoroughly and dry completely.
- Periodically check and ensure that all bolts are well-tighten during use

## Limited Manufacturer's Warranty

Sunjoy Group warrants to the original purchaser that this item is free from defects in workmanship and materials for a period of **1 year** from the date of purchase, provided the item was factory-sealed at the time of purchase and is maintained with care and used only for personal, residential purposes. Should any manufacturing defect arise within this warranty period, Sunjoy Group will replace (at our option) any defective merchandise or parts upon proof of purchase; however, transportation and delivery costs, as well as payments to a third party for assembly or disassembly of the item, remain the responsibility of the purchaser. A purchaser of an "open box," previously-returned, or "clearance" item, as well as original purchasers outside of the warranty period, may obtain replacement parts from Sunjoy Group for products in current production, at nominal cost.

## Exclusions:

Items used for commercial, contract, or other non-residential purposes, or items damaged due to acts of nature, vandalism, misuse, or improper assembly are not covered. Corrosion or rusting of hardware is not covered. Proof of purchase (dated register receipt) is required for warranty claims. Warranty is to the original purchaser and is non-transferable. Any replacement of warranted items will be in the original style and color, or a similar style and color if the original is unavailable or has been discontinued. As some states do not allow exclusions or limitations on an implied warranty, the above exclusions and limitations may not apply. This warranty gives you specific rights, and you may also have other rights, which vary from state to state.