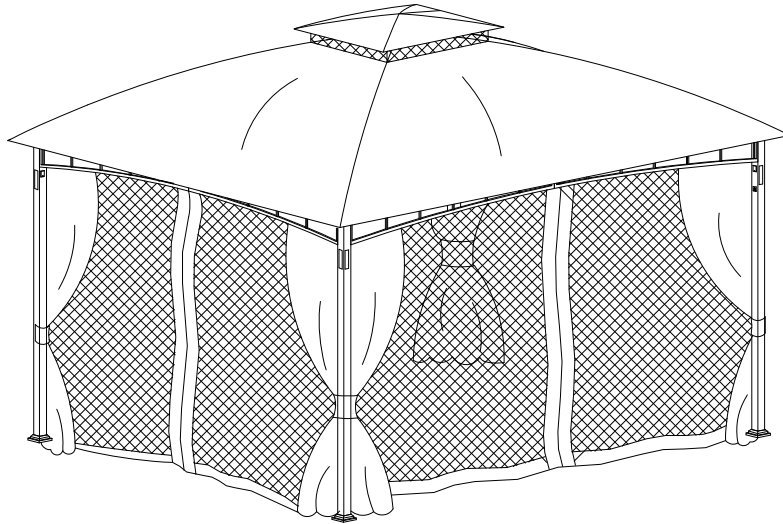


ITEM NO.:A101011500



WE HAVE YOU IN MIND, LET US SERVE YOU!

Questions? Issues?

CONTACT US

24 hours / 7 days a week

 **Warranty Parts**

www.sunjoyonline.com



customer.care@sunjoygroup.com

Toll Free 

1-(866)-578-6569

Safety Information

- **More than two people** are required for this assembly.
- Some parts may contain sharp edges. Wear protective gloves.
- When assembling and using this product, basic safety precautions should always be followed to reduce the risk of personal injury and damage to equipment. Please read all instructions before assembly and usage.



CAUTION: Do not climb on top of the gazebo. Falling off the gazebo can result in serious injury.

NOTICE: For outdoor use

Warranty: 1 Year



DANGER: This unit is heavy! Do not assemble this item alone.

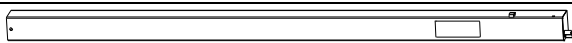

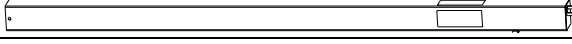
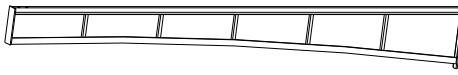
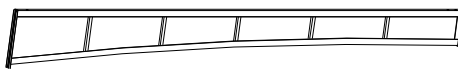
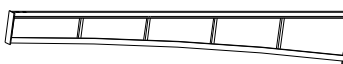






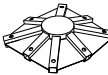




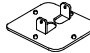
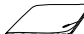




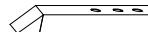


WARNING: Do not leave the gazebo where there is a risk of high wind, as possible damage will occur to the structure.

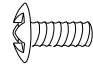

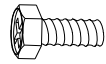
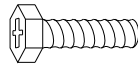
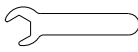


WARNING: Keep all flame and heat sources away from this gazebo fabric. This Gazebo is made with fabric that meets CPAI-84 specifications for flame resistance. It is not fire proof. The fabric will burn if left in continuous contact with any flame source. The application of any foreign substance to the gazebo fabric may render the flame-resistant properties ineffective.

Parts List

Description	Label	Part#	Qty	Image
Post1	A5	P000200437	2	
Post2	A6	P000200438	1	
Post3	A7	P000200439	1	
Long side left beam	B3	P000400840	2	
Long side right beam	B4	P000400841	2	
Short side left beam	C3	P000400843	2	
Short side right beam	C4	P000400842	2	
Sloping beam upper tube	D3	P000601267	4	
Sloping beam bottom tube	D4	P000601268	4	
Long middle beam	E5	P000601269	2	
Short middle beam	F5	P000601270	2	
Middle beam down connector	G	P000501105	4	
Big top connector	I	P000501106	1	
Hook	M	P005800001	1	
Long mosquito netting rod	N	P005700621	4	
Short mosquito netting rod	O	P005700622	4	
Base cover	P	P006100158	4	
Base slice	Q	P000100310	4	
Small canopy	R	P001100517	1	
Big canopy	S	P001100518	1	
Mosquito netting	T	P001200201	1	
Curtain	U	P001300099	1	
Adapter charge	V	P007600064	1	
Adjustable tube	W	P005700620	12	

Hardware Pack 1

Label	Description	Part#	Qty	Image
AA	M6*15 bolt	H010110016	8 PCS	
BB	M6 Flat washer	H050010023	40 PCS	
CC	M6*15 Bolt	H010020011	24 PCS	
DD	M6*25 Bolt	H010020015	8 PCS	
Z	Wrench	H090010009	2 PCS	

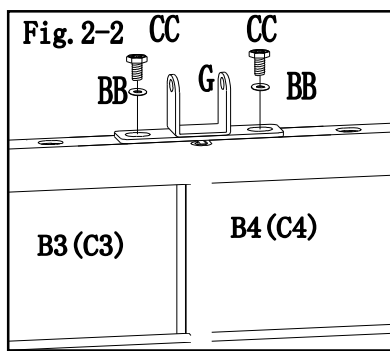
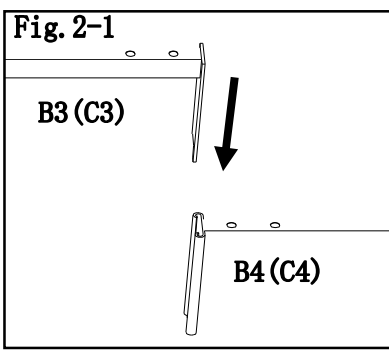
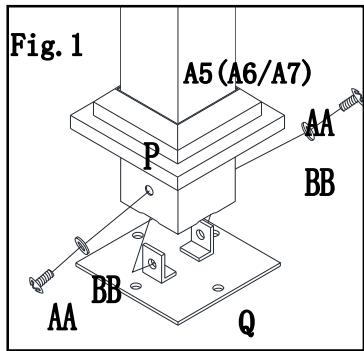
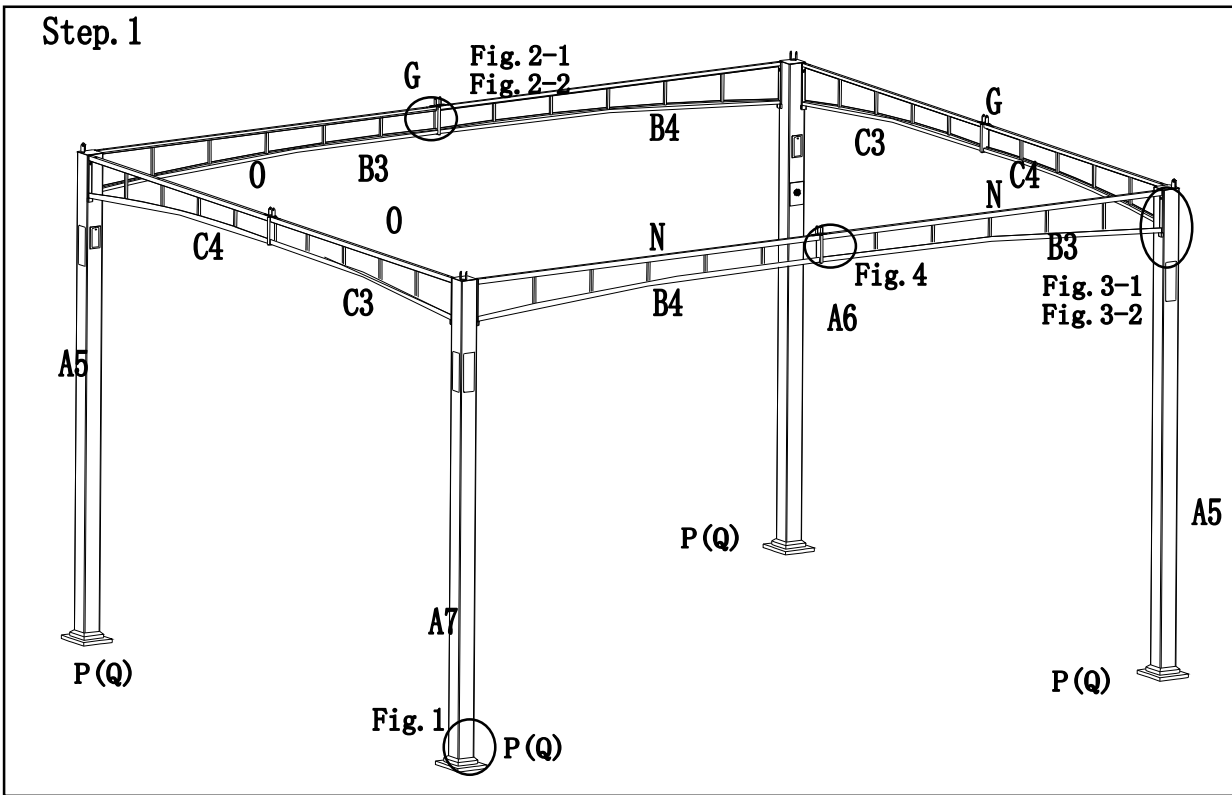


Fig.1: Put base cover (P) into post (A5/A6/A7), then attach base slice (Q) to post (A5/A6/A7) by screw (AA) and flat washer (BB).

Fig.2: Insert long side left beam (B3) into long side right beam (B4); Same way insert short side left beam (C3) into right side beam (C4).

Fig.2-2: Attach middle beam connector (G) to across beam (B3, C3, B4, C4) to the across beam by using bolt (CC) ,flat washer (BB) ..

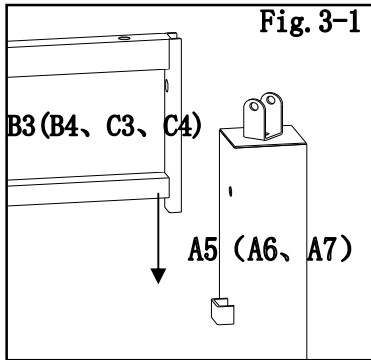


Fig.3-1: Attach assembled across beam (B3, C3, B4, C4) to post (A5, A6, A7) .

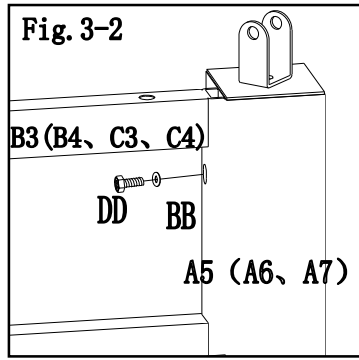


Fig.3-2: Fix the assembled across beam (B3, C3, B4, C4)to post(A5, A6, A7)by using Bolt(DD)and flate washer(BB) .

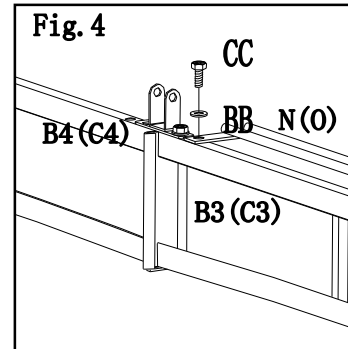
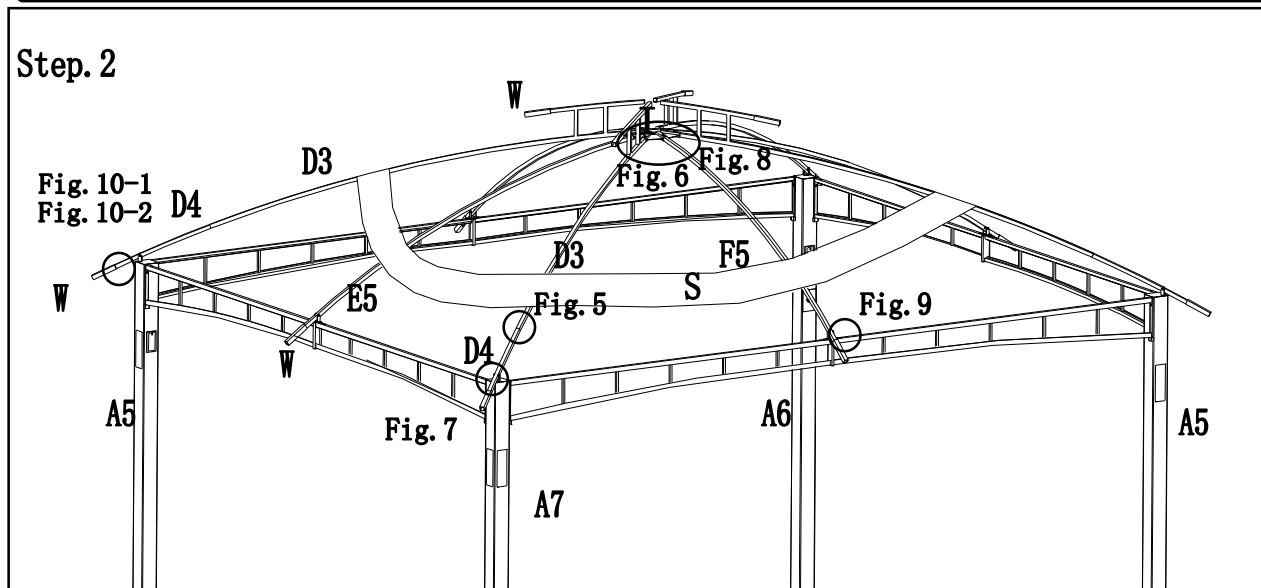


Fig.4: Attach mosquito netting rod (N, O) to across beam (B3, C3, B4, C4) by using bolt (CC) and flat washer (BB) .

Hardware Pack 2

Label	Description	Part#	Qty	Image
BB	M6 Flat washer	H050010023	16pcs	
EE	M6 Nut	H040010011	8PCS	
FF	M6*35 bolt	H010020013	8pcs	

Step. 2



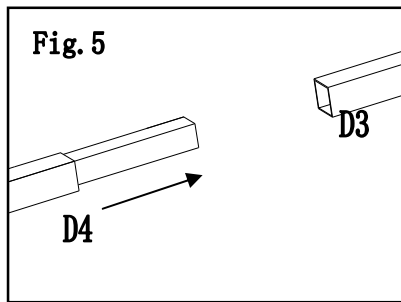


Fig.5: Insert sloping beam bottom end (D4) into sloping beam upper end (D3) .

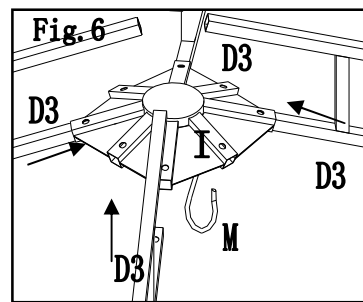


Fig.6: Insert sloping beam upper end (D3) into big top connector (I), attach hook (M) to big top connector (I) .

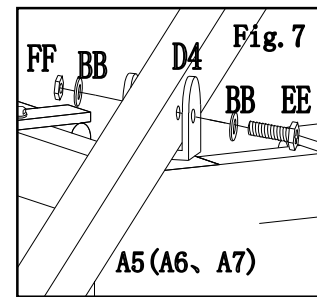


Fig.7: Fix sloping beam bottom tube (D4) to top of post (A5、A6、A7) by using bolt (EE) ,flat washer (BB) and nut (FF) .

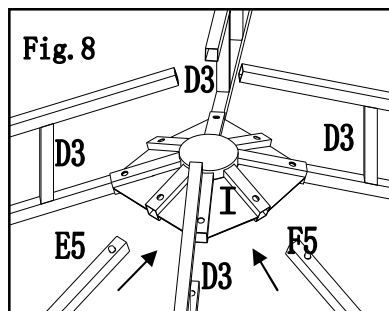


Fig.8: Attach top end of middle beam (F5、E5) to big top connector (I) .

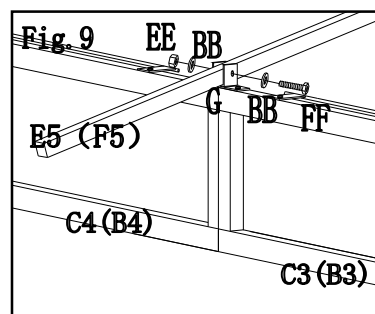


Fig.9: Fix middle beam bottom end (F5、E5) to middle beam down connector (G) by using bolt (FF) , flat washer (BB) and Nut (EE) .

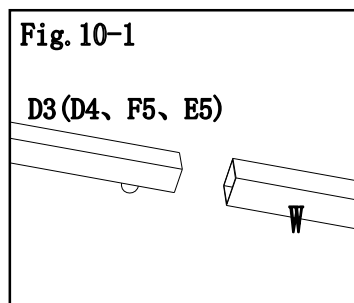


Fig.10-1: Attach adjustable tube (W) to sloping beam upper tube bottom end (D3) ,sloping beam bottom tube bottom end (D4) , and middle beam bottom end (E5、F5) .

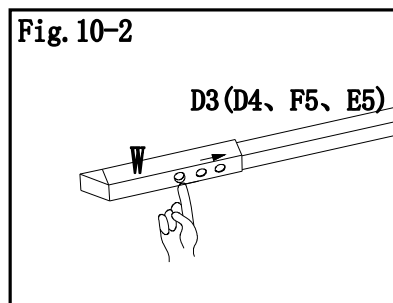


Fig.10-2: Adjust tube length (W) to shortest, Spread big canopy (S) on big top frame.

Hardware Pack 3

Label	Description	Part#	Qty	Image
GG	Plastic ring	R079990136	104PCS	
HH	∅ 6X230 Stake	H070010008	16PCS	

Step. 3

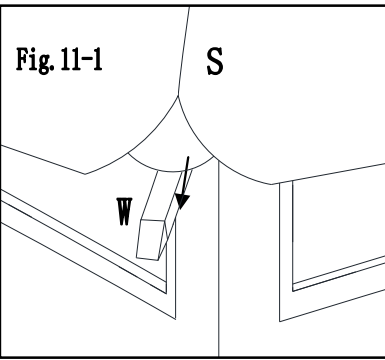
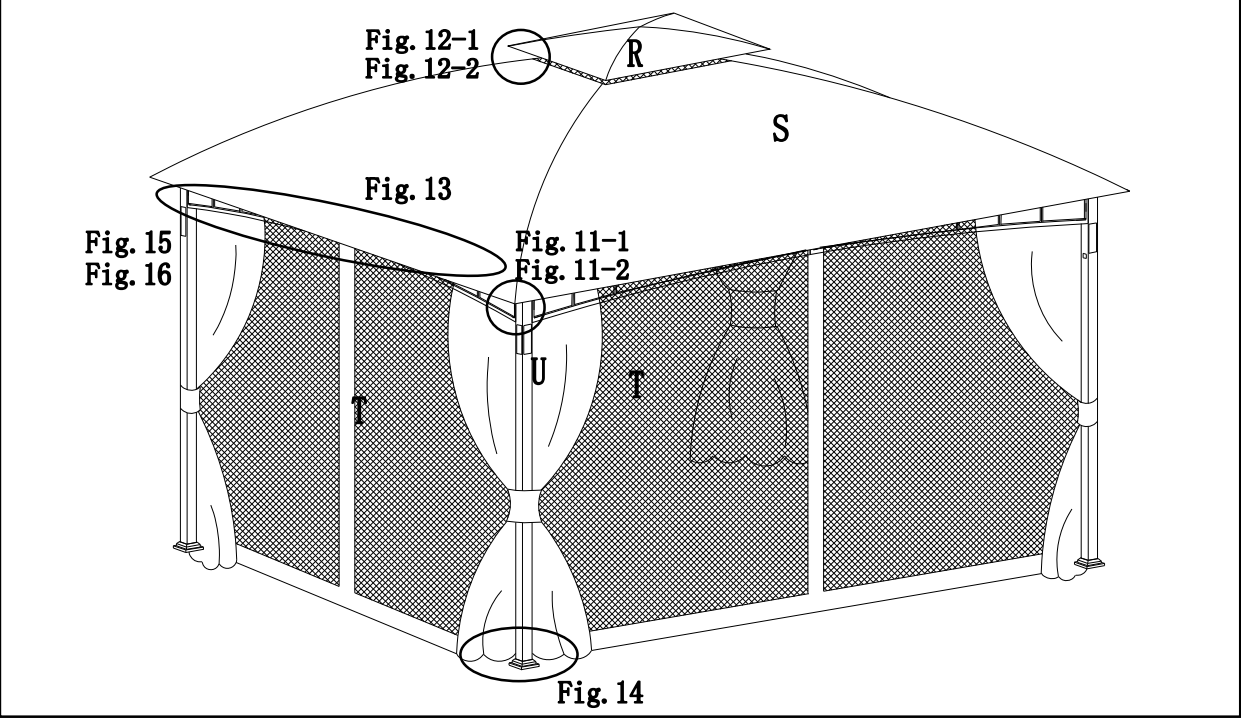


Fig.15: Fix big canopy corner to adjustable tube (W) .

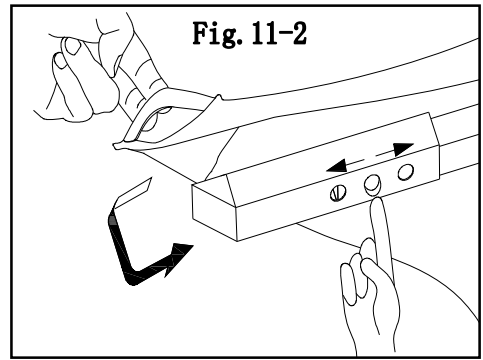


Fig.11-2: Adjust tube length (W) till big canopy tight .

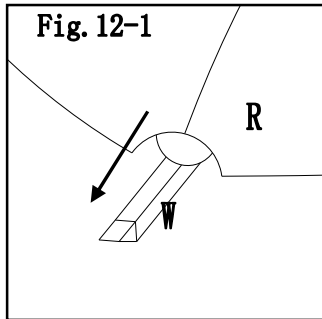


Fig.12-1: Put small canopy(S) on small top frame, Fix small canopy corner to adjustable tube (W) .

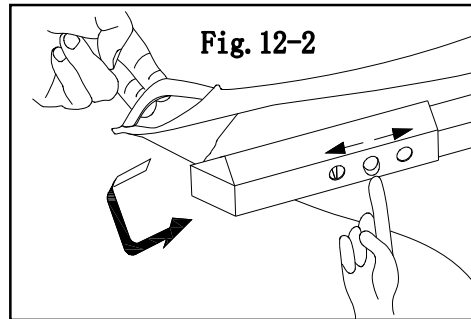


Fig.12-2: Adjust tube length (W) till canopy tight

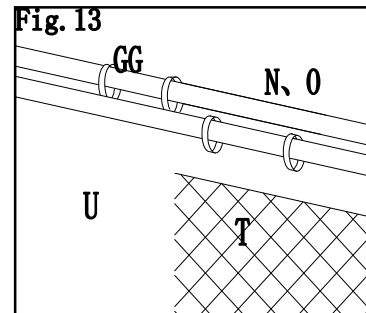


Fig.16: Put mosquito netting (T) and curtain (U) onto long mosquito netting rod (N) and short mosquito netting rod (O) by plastic ring (GG).

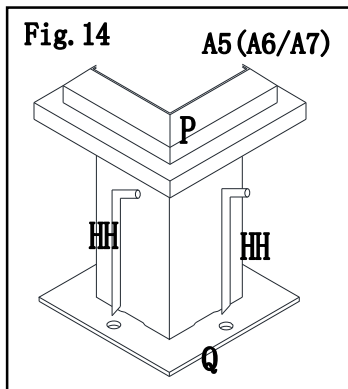


Fig.14: Lift up base cover (P), secure the whole gazebo to the lawn by stake (HH).

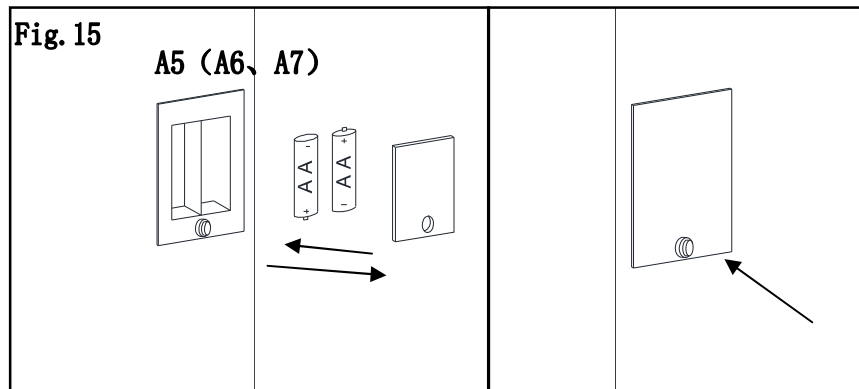


Fig.15: Remove battery holder cover, insert two (AA) battery, (**Note: to purchase "AA" battery**) then place cover on battery holder. Press the switch to control the light on and off.

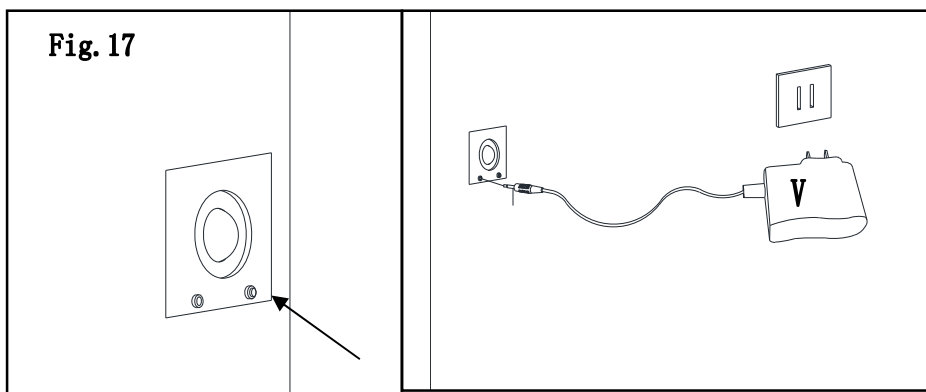


Fig.16: Bluetooth audio use: turn on the power switch of Bluetooth audio (arrow pointing to the location, there will be a tone after opening), the power is turned on, then open the blue tooth device with Bluetooth function to match and use Bluetooth audio. Turn off the switch of Bluetooth audio after using the Bluetooth audio.

Care and Maintenance

- Our steel components for garden accessories and furniture are treated with rust inhibiting paint that protects it from rusting. However, due to the nature of steel, surface oxidation (rusting) will occur once these protective coatings are scratched. This is not a defect and thus not covered by the warranty.
- To minimize this condition, we recommend care when assembling & handling the product to prevent scratching the paint. Should any scratching or damage occur, we recommend immediate touch-up with rust inhibiting paint.
- Surface rust can also be easily removed with a very light application of common cooking oil. If surface oxidation (rusting) occurs and if no measure is taken to prevent this, the oxidation may start dripping on to deck or patio and caused damaging stains, which may be difficult to remove. This can be prevented if the above-mentioned measures are taken to keep the product from oxidizing.
- Use damp cloth to wipe off the stains as quickly as possible.
- If necessary, wash with a mild solution of soap and water; rinse thoroughly and dry completely.
- Periodically check and ensure that all bolts are well-tighten during use

Limited Manufacturer's Warranty

Sunjoy Group warrants to the original purchaser that this item is free from defects in workmanship and materials for a period of **1 year** from the date of purchase, provided the item was factory-sealed at the time of purchase and is maintained with care and used only for personal, residential purposes. Should any manufacturing defect arise within this warranty period, Sunjoy Group will replace (at our option) any defective merchandise or parts upon proof of purchase; however, transportation and delivery costs, as well as payments to a third party for assembly or disassembly of the item, remain the responsibility of the purchaser. A purchaser of an "open box," previously-returned, or "clearance" item, as well as original purchasers outside of the warranty period, may obtain replacement parts from Sunjoy Group for products in current production, at nominal cost.

Exclusions:

Items used for commercial, contract, or other non-residential purposes, or items damaged due to acts of nature, vandalism, misuse, or improper assembly are not covered. Corrosion or rusting of hardware is not covered. Proof of purchase (dated register receipt) is required for warranty claims. Warranty is to the original purchaser and is non-transferable. Any replacement of warranted items will be in the original style and color, or a similar style and color if the original is unavailable or has been discontinued. As some states do not allow exclusions or limitations on an implied warranty, the above exclusions and limitations may not apply. This warranty gives you specific rights, and you may also have other rights, which vary from state to state.