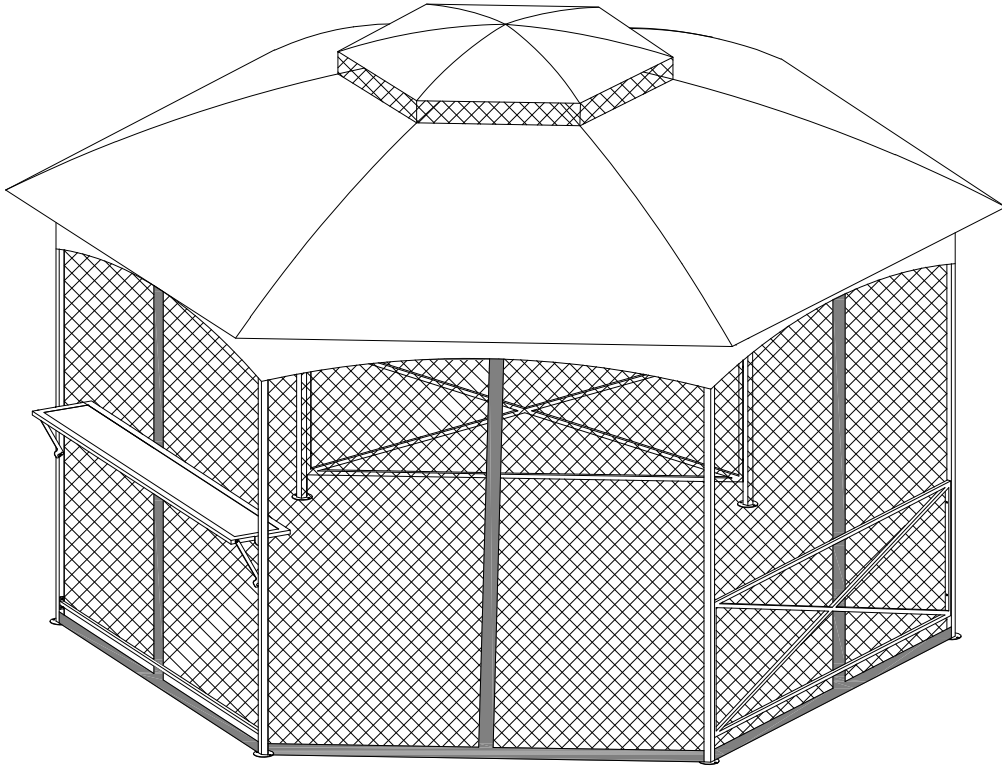


TTEM NO.:A101011200



WE HAVE YOU IN MIND, LET US SERVE YOU!

Questions? Issues?

CONTACT US

24 hours / 7 days a week

 Warranty Parts

www.sunjoyonline.com



customer.care@sunjoygroup.com

Toll Free



1-(866)-578-6569

Safety Information

- **two people** are required for this assembly.
- Some parts may contain sharp edges. Wear protective gloves.
- When assembling and using this product, basic safety precautions should always be followed to reduce the risk of personal injury and damage to equipment. Please read all instructions before assembly and usage.



CAUTION: Do not climb on top of gazebo. Falling off the gazebo can result in serious injury.

NOTICE: For outdoor use

Warranty: 1 Year



DANGER: This unit is heavy! Do not assemble this item alone.



WARNING: Do not leave the gazebo where is a risk of high wind, as possible damage will occur to the structure.



WARNING: Keep all flame and heat sources away from this gazebo fabric. This Gazebo is made with fabric that meets CPAI-84 specifications for flame resistance. It is not fire proof. The fabric will burn if left in continuous contact with any flame source. The application of any foreign substance to the gazebo fabric may render the flame-resistant properties ineffective.

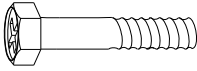
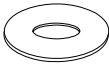
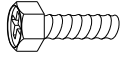


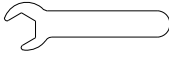
WHAT IS COVER?

The limited warranty is extended to the original purchaser and applies to material and manufacturer's defect provided the item is maintained with care and used only for personal, residential purposes.

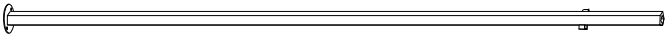


IMPORTANT

KEEP THIS INSTRUCTION MANUAL FOR FUTURE REFERENCE.

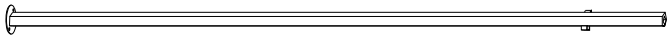
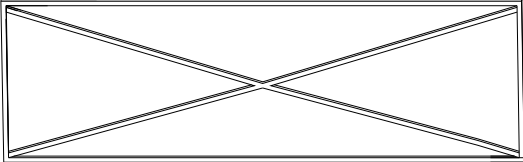
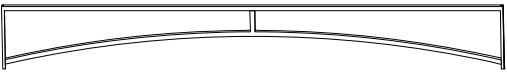


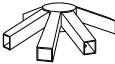
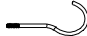
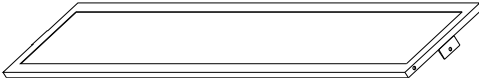
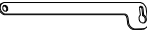




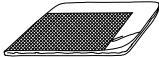
Hardware

AA	M6*40 bolt	H010020022	8 PCS	
BB	Flat washer	H050010020	28 PCS	
CC	M6*20 bolt	H010020012	20 PCS	
FF	$\Phi 6*230$ Stake	H070010008	12 PCS	
GG	Ring	P005100265	48 PCS	
WW	Wrench	H090010017	1 PCS	

Parts List

Description	Label	Part#	Qty	Image
Post 1	A6	P000200478	1	
Post 2	A7	P000200479	1	
Post 3	A8	P000200480	2	

Parts List

Post 5	A9	P000200481	2	
Fence	B1	P006200014	2	
Upper beam	C1	P000400930	6	
Corner connector	D2	P000601431	6	
Large top slanting bar	E2	P000601430	6	
Large top connector	F1	P000501233	1	
Hook	F4	P005800001	1	
Shelf	G1	P002100345	1	
Shelf support plate included(G)	H1	P005000425	2	
Adjustable tube	L	P005700693	12	
Connect tube	M	P000501234	1	
large canopy	S	P001100574	1	
Small canopy	S1	P001100575	1	
Mosquito netting	S2	P001200224	1	

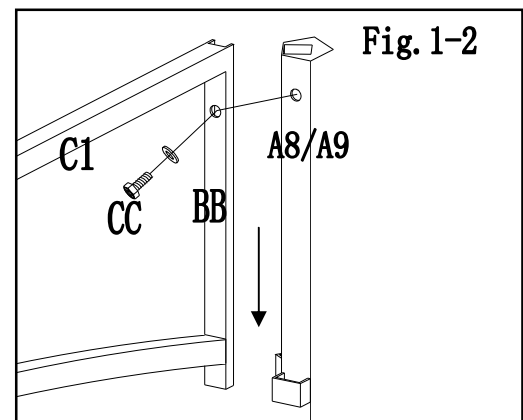
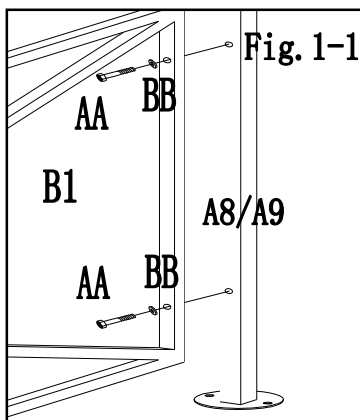
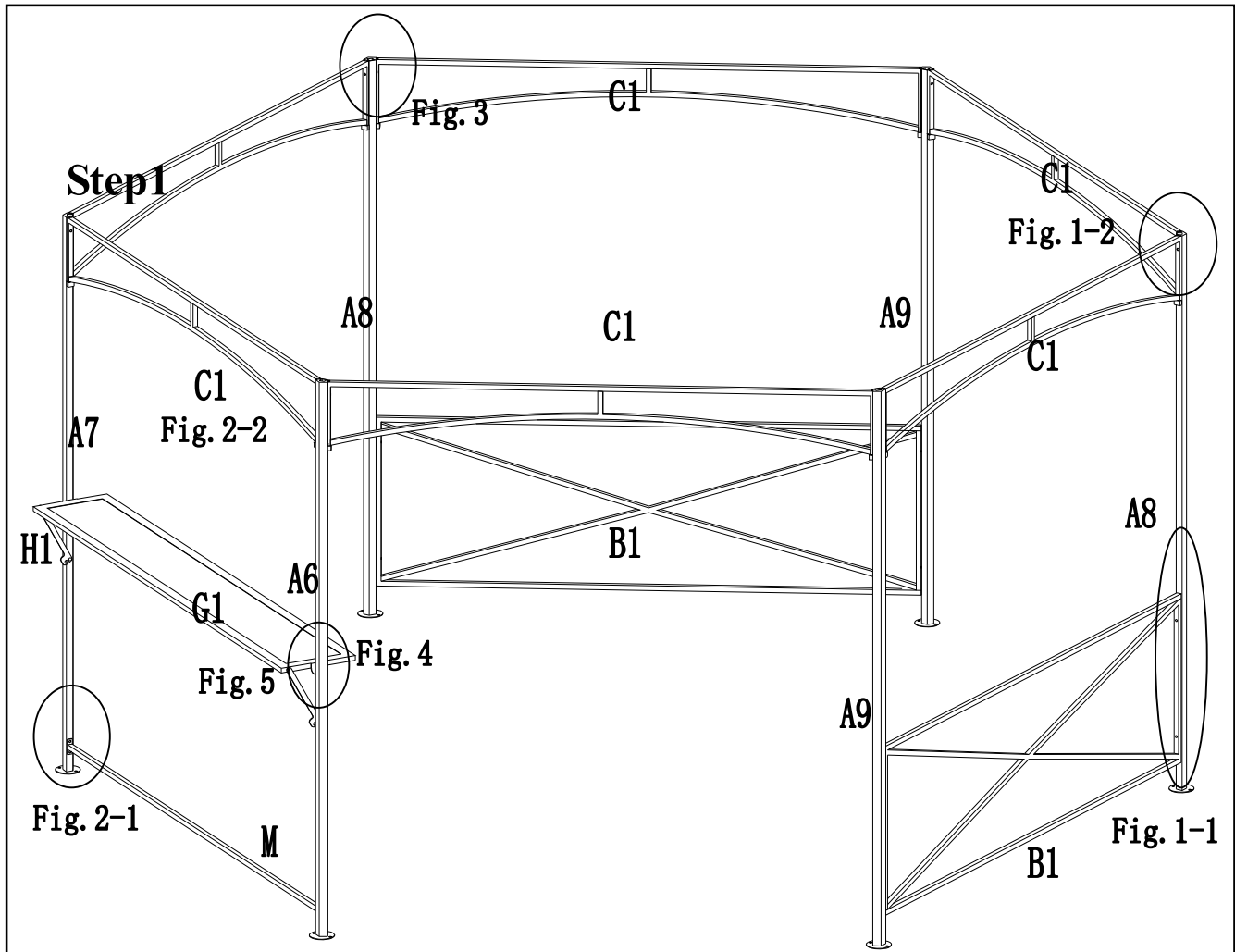


Fig.1-1: By using bolt (AA) and washer (BB) attach fence (B1) to bottom of post (A8、A9) 。

Fig.1-1: Insert upper beam (C1) into post (A8、A9) , then fix upper beam (C1) to post (A8、A9) , by using bolt(CC)and washer (BB)

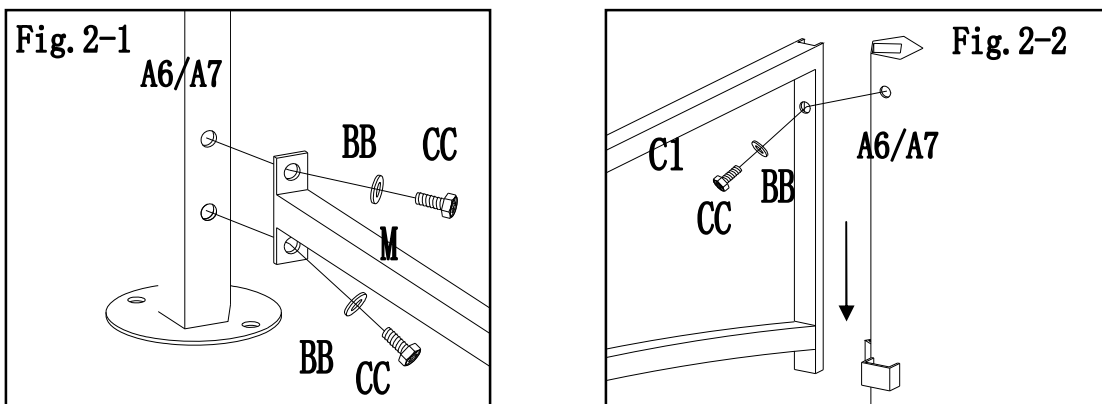


Fig.2-1: By using bolt(CC), washer (BB), attach connect tube (L) to bottom of post (A6、A7)。

Fig.2-2: Insert upper beam(C1) to post (A6、A7),then fix upper beam (C1) to post (A6、A7),by using bolt(CC)and washer (BB) .

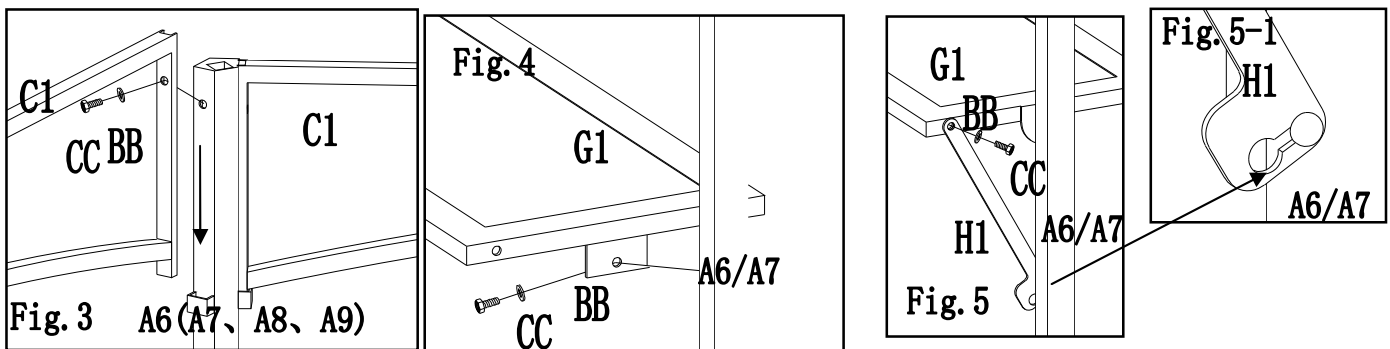
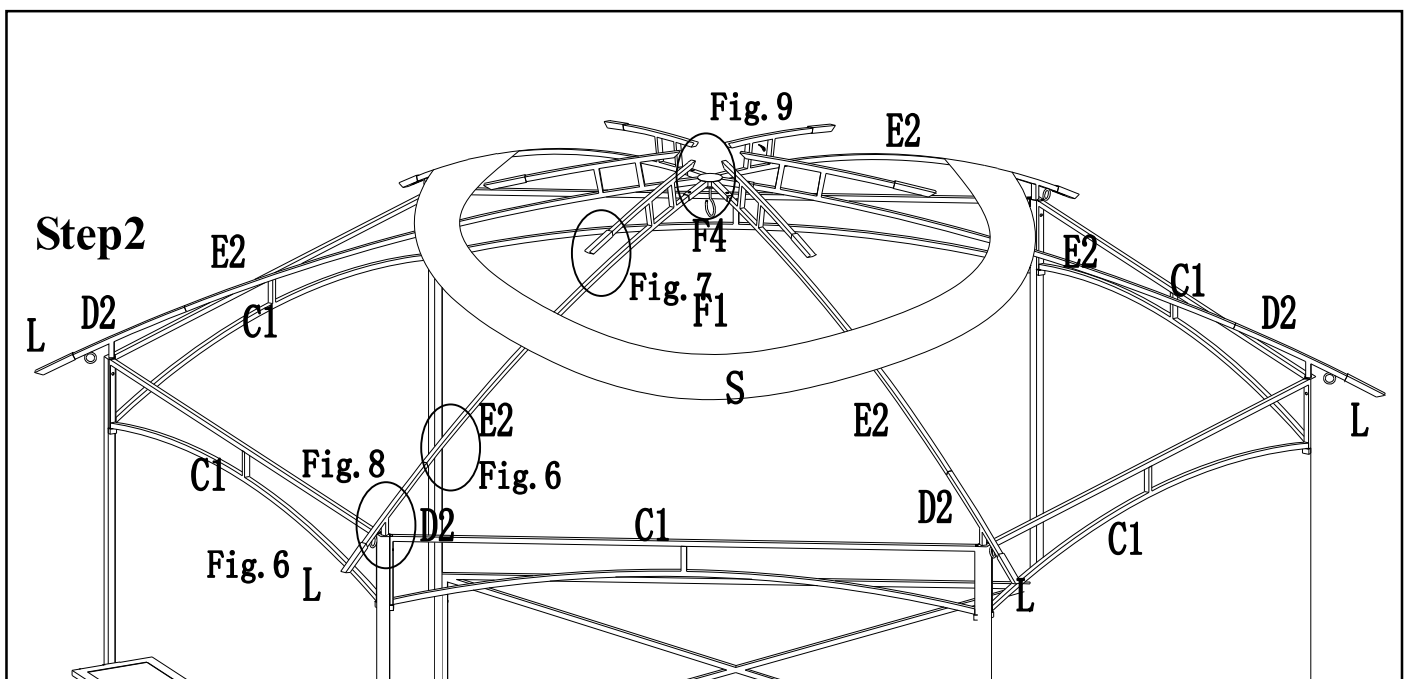


Fig.3: Insert upper beam (C1) into post (A6、A7、A8、A9) , then fix upper beam (C1) to post (A6、A7、A8、A9) by using bolt (CC) and washer (BB) .

Fig.4: attach shelf (G1) to post (A6、A7) by using bolt (CC) and washer (BB) .

Fig.5: Fix one end shelf support (H1) to bottom of shelf, as image (Fig.5-1) , fix another end to post (A6、A7) by using bolt (CC) and washer (BB) .



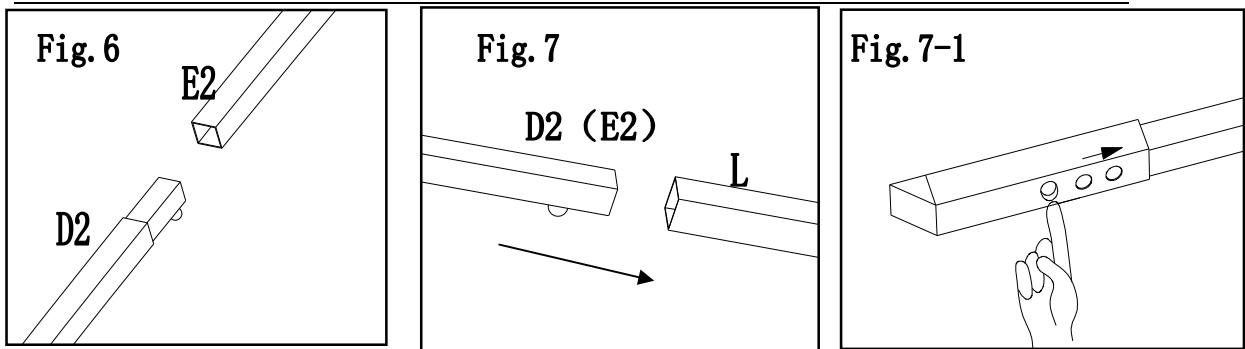


Fig.6: Insert slanting bottom beam (D2) into slanting upper beam (E2) .

Fig.7: Attach adjustable tube (L) to large top slanting bar (E2) corner connector (D2) as image (Fig.7-1) , then adjust tube length shortest.

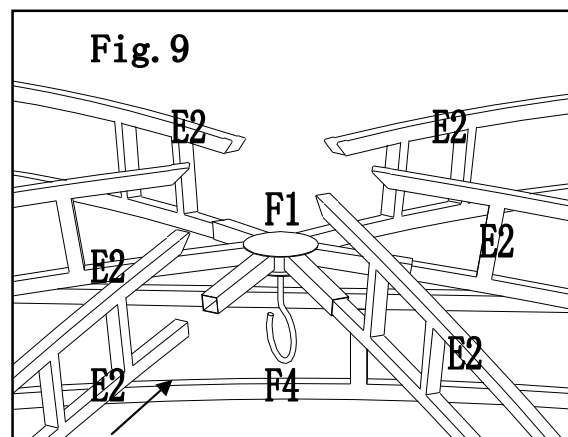
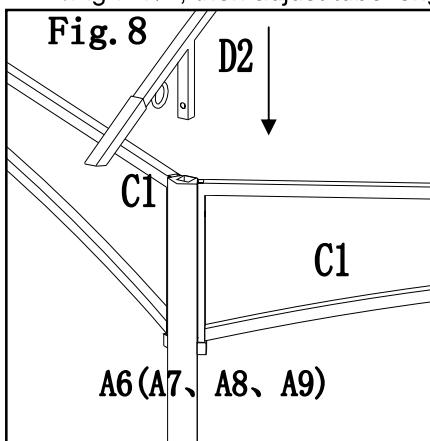
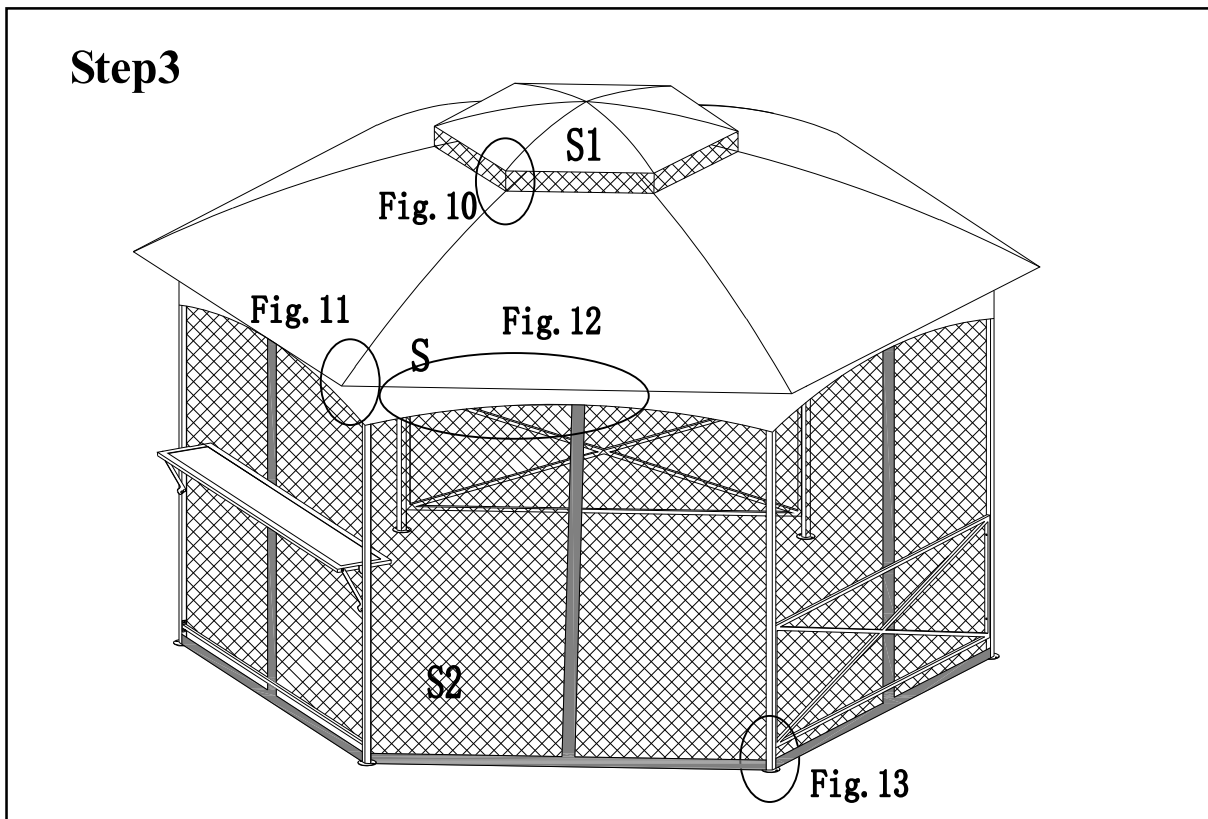


Fig.8: Insert assembled slanting bar bottom end (D2) into post (A6、A7、A7、A9) .

Fig.9: Attach assembled slanting bar upper end (E2) to large top connector (F1) , then attach hook (F4) to large top connector (F1) , and put large canopy(S) to large top frame.



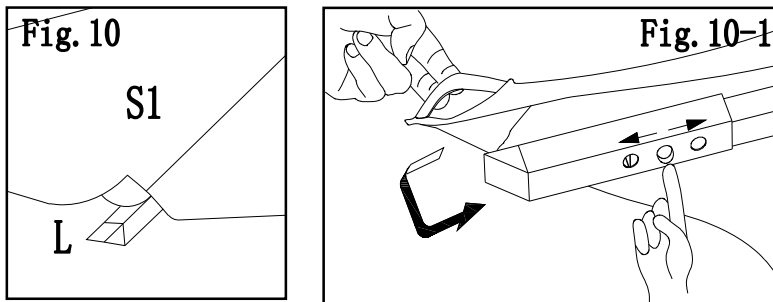


Fig.10: Put small canopy four corner (S1) to small top frame end of adjustable tube (L) (as Fig.10-1) adjust tube length till the canopy tight.

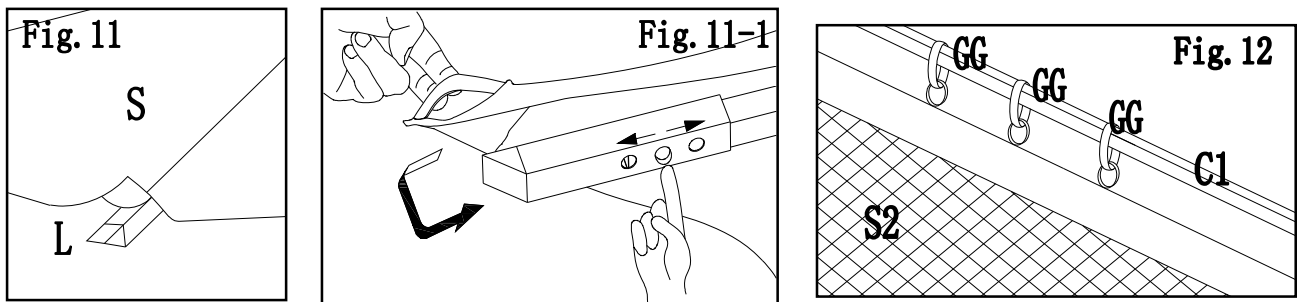


Fig.11: fix large canopy six corner (S) to large top frame adjustable tube (L) (as Fig.11-1) then adjust tube length till large canopy tight.

Fig.12: Put ring (GG) through loop of mosquito netting (S2) hang mosquito netting on upper beam (C1) (inner post) .

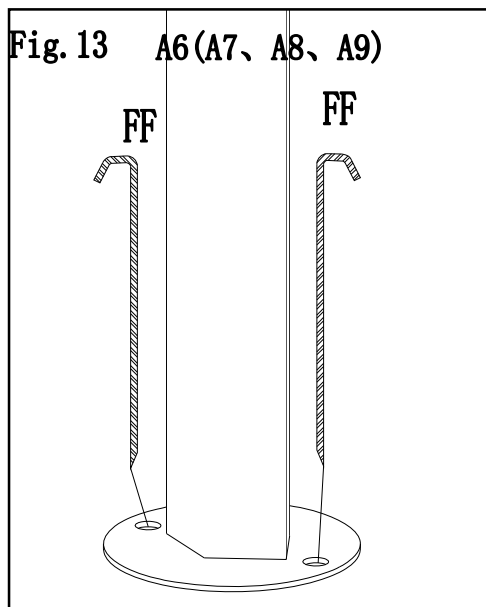


Fig.13: Put stake (FF) through bottom of post stake plate (A6、A7、A8、A9, fix gazebo on ground).

Care and Maintenance

- Our steel components for garden accessories and furniture are treated with rust inhibiting paint that protects it from rusting. However, due to the nature of steel, surface oxidation (rusting) will occur once these protective coatings are scratched. This is not a defect and thus not covered by the warranty.
- To minimize this condition, we recommend care when assembling & handling the product to prevent scratching the paint. Should any scratching or damage occur, we recommend immediate touch-up with rust inhibiting paint.
- Surface rust can also be easily removed with a very light application of common cooking oil. If surface oxidation (rusting) occurs and if no measure is taken to prevent this, the oxidation may start dripping on to deck or patio and caused damaging stains, which may be difficult to remove. This can be prevented if the above-mentioned measures are taken to keep the product from oxidizing.
- Use damp cloth to wipe off the stains as quickly as possible.
- If necessary, wash with a mild solution of soap and water; rinse thoroughly and dry completely.
- Periodically check and ensure that all bolts are well-tighten during use

Limited Manufacturer's Warranty

Sunjoy Group warrants to the original purchaser that this item is free from defects in workmanship and materials for a period of **1 year** from the date of purchase, provided the item was factory-sealed at the time of purchase and is maintained with care and used only for personal, residential purposes. Should any manufacturing defect arise within this warranty period, Sunjoy Group will replace (at our option) any defective merchandise or parts upon proof of purchase; however, transportation and delivery costs, as well as payments to a third party for assembly or disassembly of the item, remain the responsibility of the purchaser. A purchaser of an "open box," previously-returned, or "clearance" item, as well as original purchasers outside of the warranty period, may obtain replacement parts from Sunjoy Group for products in current production, at nominal cost.

Exclusions:

Items used for commercial, contract, or other non-residential purposes, or items damaged due to acts of nature, vandalism, misuse, or improper assembly are not covered. Corrosion or rusting of hardware is not covered. Proof of purchase (dated register receipt) is required for warranty claims. Warranty is to the original purchaser and is non-transferable. Any replacement of warranted items will be in the original style and color, or a similar style and color if the original is unavailable or has been discontinued. As some states do not allow exclusions or limitations on an implied warranty, the above exclusions and limitations may not apply. This warranty gives you specific rights, and you may also have other rights, which vary from state to state.