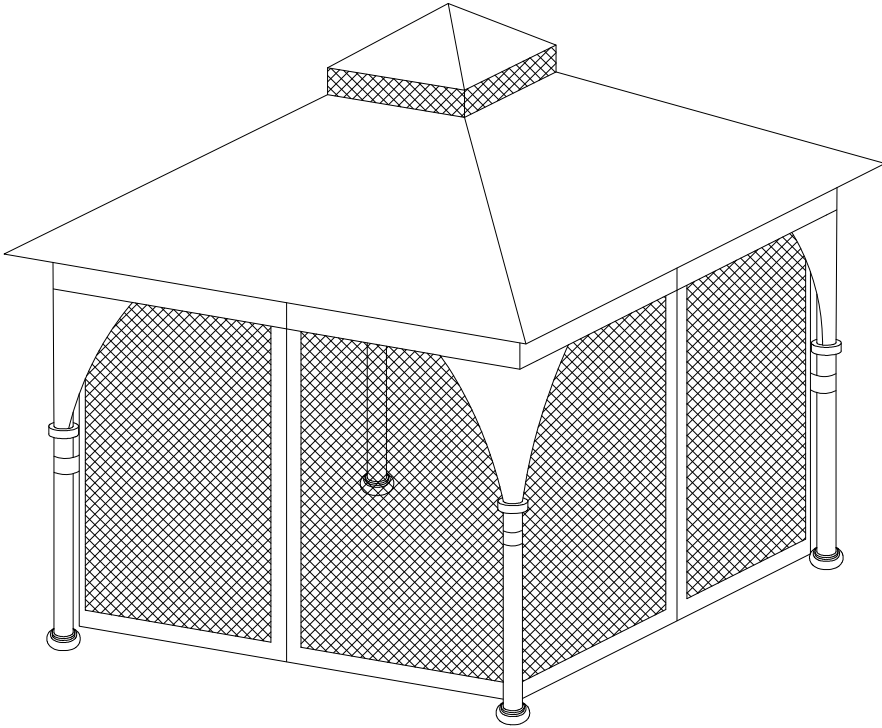


ITEM No.:A101011100



WE HAVE YOU IN MIND, LET US SERVE YOU!


Questions? Issues?

CONTACT US

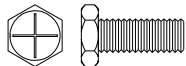
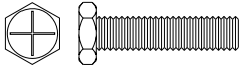
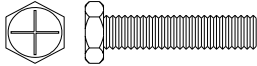


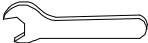
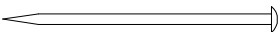

24 hours / 7 days a week

 www.sunjoyonline.com

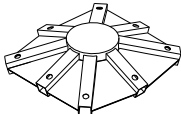

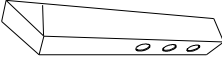



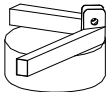
 customer.care@sunjoygroup.com

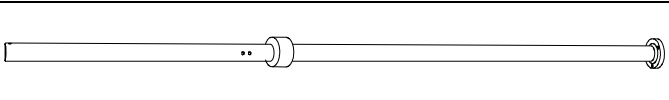
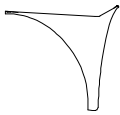
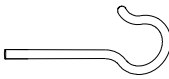

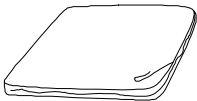
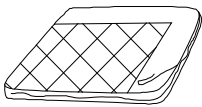
Toll Free  1-(866)-578-6569

Hardware Pack

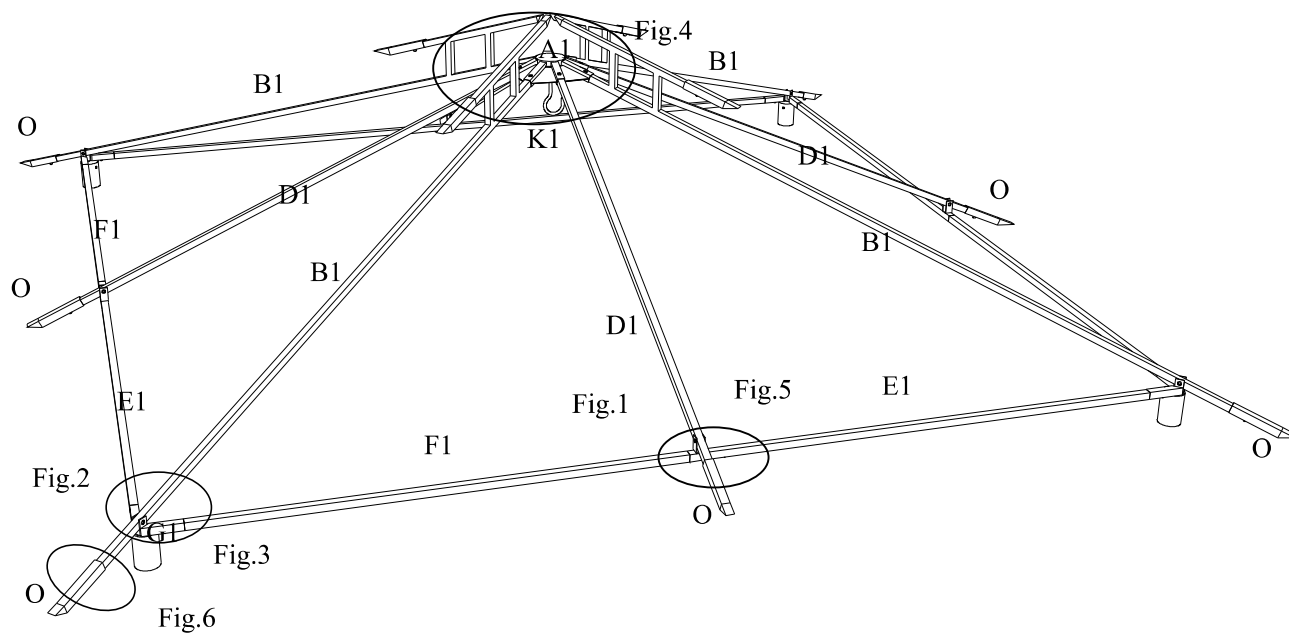
AA	H010020011	M6 * 15 Bolt	4 PCS	
BB	H010020023	M6 * 30 Bolt	32 PCS	
CC	H010020013	M6 * 35 Bolt	8 PCS	
DD	H050010023	M6 Flat Washer	52 PCS	
EE	H040010003	M6 Nut	8 PCS	
FF	H090010008	M6 Wrench	2 PCS	
GG	H070010003	φ 8 * 180 Stake	12 PCS	
HH	P005100264	Mosquito Netting Hook	32 PCS	

Parts List

A1	P000501069	Top connector	1PC	
B1	P000601233	Long angle beam	4PCS	
O	P005700602	Short angle beam	12PCS	
D1	P000601234	Girder	4PCS	
E1	P000400816	Horizontal beam 1	4PCS	
F1	P000400817	Horizontal beam 2	4PCS	
G1	P000501070	Connector	4PCS	

H2	P000200405	Post	4PCS	
J1	P005000415	Arc connector	4PCS	
K1	P005800001	Hook	1PC	
L1	P001100506	Small canopy	1PC	
M1	P001100507	Big canopy	1PC	
N	P001200215	Mosquito netting	1PC	

Step1



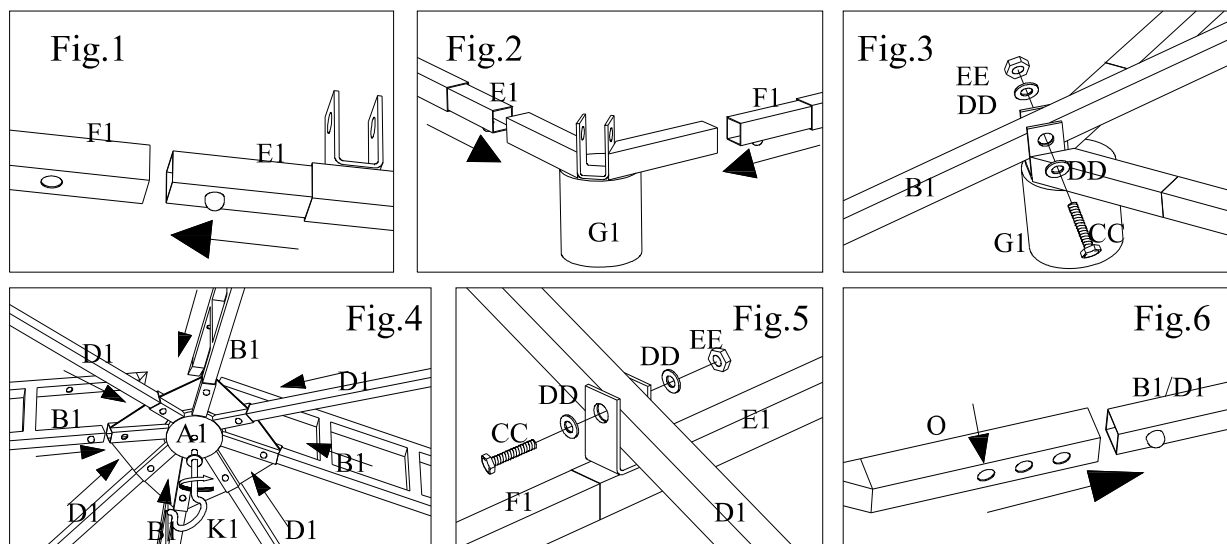


Fig.1: Insert one side of horizontal beam 1(E1) into horizontal beam 2 (F1) (Fig.1) Repeat on all sides.

Fig.2: Insert another side of horizontal beam 1(E1) and horizontal beam 2 (F1) into the hole of connector (G1) (Fig.2). Repeat on all sides.

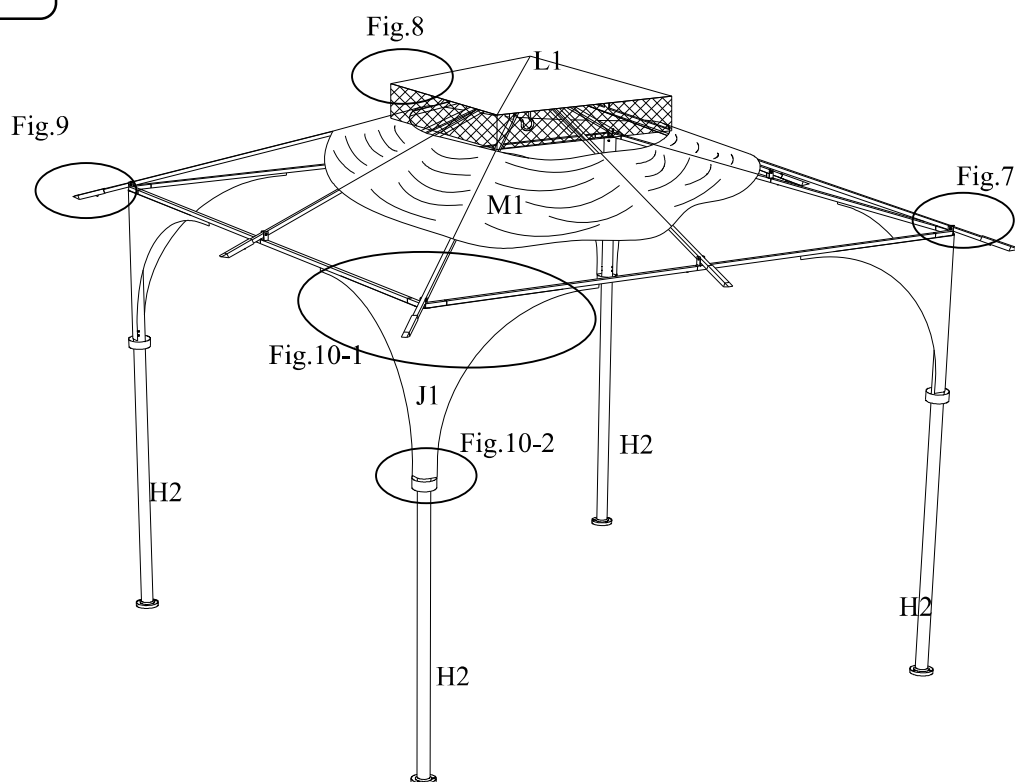
Fig.3: Connect short angle beam (B1) with connector (G1) and tighten with bolt (CC), washer (DD), nuts (EE) (Fig.3)

Fig.4: Insert hook (K1) into top connect (A1) first, then insert long angle beam (B1) and one side of girder (D1) into Top connector (A1). Repeat on all sides. (Fig.4)

Fig.5: Insert one side of long angle beam (D1) into short angle beam (E1). (Fig.5)

Fig.6: Insert one side of long angle beam (B1) and girder (D1) into Short angle beam (O) (Fig.6) repeat on all sides.

Step2



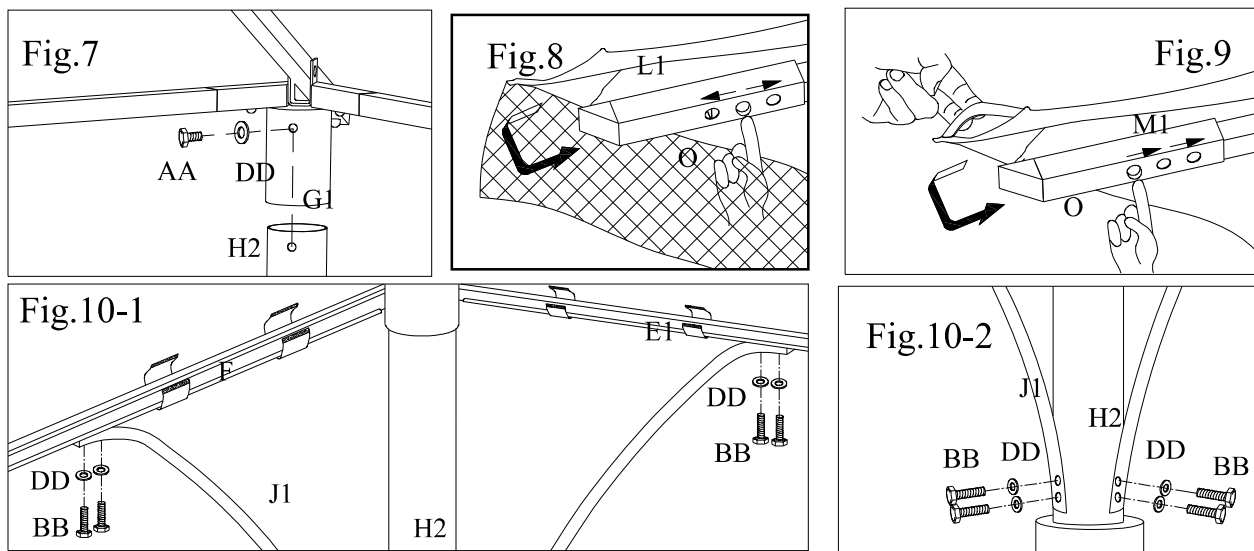


Fig.7: Lift assembled roof (G1) up, fix connector (G1) and post (H2) with bolt (AA), flat washer (DD)

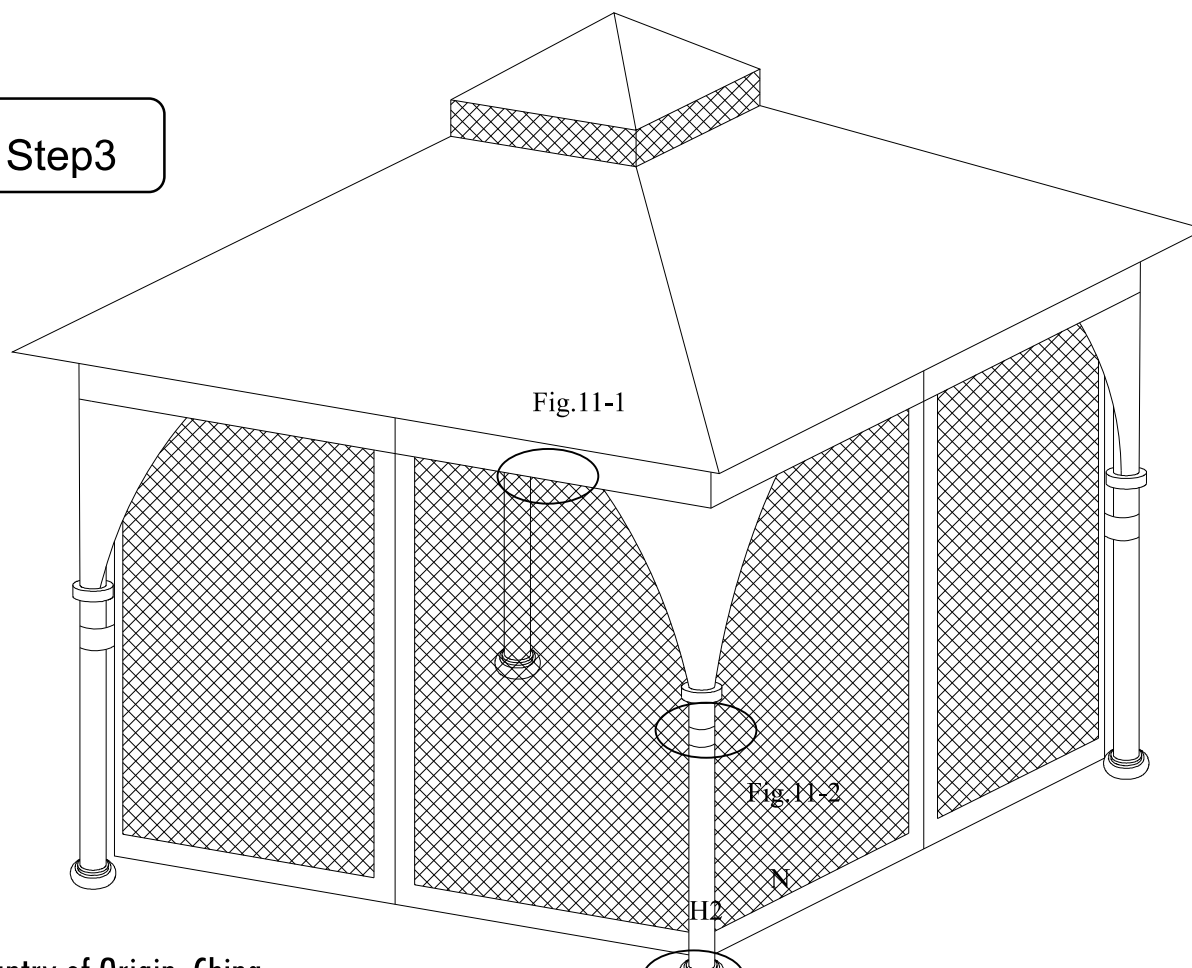
Repeat for all posts. (Fig8).

Fig.8: Finish covering small canopy (L1), install big canopy (M1) on the structure but do not fully cover (Fig.8)

Fig.9: Spread big canopy (M1) over the entire structure, and slide into each corner (Fig.9).

Fig.10-1/2: Connect one side of arc connector (J1) with pole (H2), and connect the other side with horizontal beam 1(E1) And horizontal beam 2 (F1), fasten by using bolt (BB) and flat washer (DD),and fasten with Velcro . (Fig.10 -1/2).

Step3



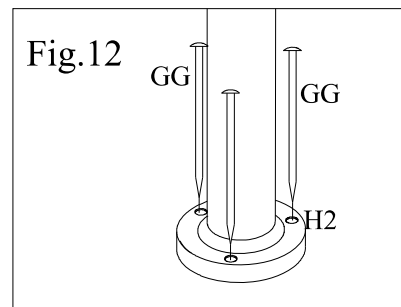
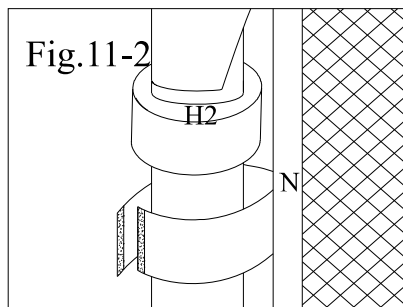
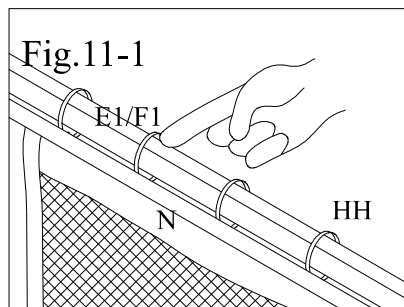


Fig.11-1: Use mosquito netting hooks (HH) to hang mosquito netting (N) onto horizontal beam 1 (E1) and horizontal beam 2 (F1).

Fig.11-2: Make sure the Velcro tie of the mosquito netting (N) is properly attached to the pole (H2).

Fig.12: Insert stakes (GG) in post (H2) to secure gazebo to the ground. Repeat on all posts.

Your gazebo is now fully assembled.

Care and Maintenance

- Our steel components for garden accessories and furniture are treated with rust inhibiting paint that protects it from rusting. However, due to the nature of steel, surface oxidation (rusting) will occur once these protective coatings are scratched. This is not a defect and thus not covered by the warranty.
- To minimize this condition, we recommend care when assembling & handling the product to prevent scratching the paint. Should any scratching or damage occur, we recommend immediate touch-up with rust inhibiting paint.
- Surface rust can also be easily removed with a very light application of common cooking oil. If surface oxidation (rusting) occurs and if no measure is taken to prevent this, the oxidation may start dripping on to deck or patio and caused damaging stains, which may be difficult to remove. This can be prevented if the above-mentioned measures are taken to keep the product from oxidizing.
- Use damp cloth to wipe off the stains as quickly as possible.
- If necessary, wash with a mild solution of soap and water; rinse thoroughly and dry completely.
- Periodically check and ensure that all bolts are well-tighten during use

Limited Manufacturer's Warranty

Sunjoy Group warrants to the original purchaser that this item is free from defects in workmanship and materials for a period of **6 months** from the date of purchase, provided the item was factory-sealed at the time of purchase and is maintained with care and used only for personal, residential purposes. Should any manufacturing defect arise within this warranty period, Sunjoy Group will replace (at our option) any defective merchandise or parts upon proof of purchase; however, transportation and delivery costs, as well as payments to a third party for assembly or disassembly of the item, remain the responsibility of the purchaser. A purchaser of an "open box," previously-returned, or "clearance" item, as well as original purchasers outside of the warranty period, may obtain replacement parts from Sunjoy Group for products in current production, at nominal cost.

Exclusions:

Items used for commercial, contract, or other non-residential purposes, or items damaged due to acts of nature, vandalism, misuse, or improper assembly are not covered. Corrosion or rusting of hardware is not covered. Proof of purchase (dated register receipt) is required for warranty claims. Warranty is to the original purchaser and is non-transferable. Any replacement of warranted items will be in the original style and color, or a similar style and color if the original is unavailable or has been discontinued. As some states do not allow exclusions or limitations on an implied warranty, the above exclusions and limitations may not apply. This warranty gives you specific rights, and you may also have other rights, which vary from state to state.