

SCHWINN®

Owner's Manual

Cruiser Bicycle

This manual contains important safety, performance and maintenance information. Read the manual before taking your first ride on your new bicycle, and keep the manual handy for future reference.

To register your bike visit
www.schwinnbikes.com/registerbike



Contents

1 Safety	4
Safety Signal Words	4
User Responsibility	4
Bicycle Setup	5
Personal Safety	8
Riding Safety	11
Before You Ride Safety Checklist	13
2 Parts Identification	14
3 Assembly	16
Tools Required	16
Getting Started	17
Attach the Handlebar	18
Attach the Brake Cables	19
Attach the Front Fender and Front Wheel	20
Attach the Seat	25
Attach the Pedals	27
Attach the Basket	28
Attach the Bell	29
4 Adjustments	30
Tools Required	30
Adjusting the Brakes	31
Adjusting the Rear Derailleur	38
Adjusting the Seat Height	39
Adjusting the Handlebar	41
Adjusting the Headset	42
Adjust the Bottom Bracket	44
5 Use	45
Brake Operation	45
Gear Operation	47
Security	49
6 Maintenance	50
Basic Maintenance	50
Lubrication Schedule	51
Parts Maintenance	52
Hub Bearings	55
Inflating the Tire Tube	55
Repairing a Flat Tire	56
Troubleshooting Guide	57
7 Warranty	60
Purchase Record	61

Congratulations

on your new bicycle! Proper assembly and operation of your bicycle is important for your safety and enjoyment. Our customer service department is dedicated to your satisfaction with Pacific Cycle and its products. If you have questions or need advice regarding assembly, parts, performance, or returns, please contact the experts at Pacific Cycle. **Enjoy the ride!**

Toll free: 1-800-626-2811.

Customer Service hours: Monday - Friday 8 AM- 5 PM Central Standard Time (CST)

You may also reach us at:

Web: www.pacific-cycle.com

Email: customerservice@pacific-cycle.com

Mail: P. O. Box 344
4730 E. Radio Tower Lane
Olney, IL 62450

Do not return this item to the store. Please call Pacific Cycle customer service if you need assistance. You will need your model number and date code located on the service sticker near the bottom bracket area. See **Section 7: Purchase Record** for the location of the model number on your bicycle.

About This Manual

It is important for you to understand your new bicycle. By reading this manual before you go out on your first ride, you'll know how to get better performance, comfort, and enjoyment from your new bicycle. It is also important that your first ride on your new bicycle is taken in a controlled environment, away from cars, obstacles and other cyclists.

This manual contains important information regarding safety, assembly, use, and maintenance of the bicycle but is **not** intended to be a complete or comprehensive manual covering all aspects concerning bicycle ownership. We recommend consulting a bicycle specialist if you have any doubts or concerns regarding your experience or ability to properly assemble and maintain the bicycle.

A Special Note For Parents and Guardians

It is a tragic fact that most bicycle accidents involve children. As a parent or guardian, you bear the responsibility for the activities and safety of your minor child. Among these responsibilities are to make sure that the bicycle which your child is riding is properly fitted to the child; that it is in good repair and safe operating condition; that you and your child have learned, understand and obey not only the applicable local motor vehicle, bicycle, and traffic laws, but also the common sense rules of safe and responsible bicycling. As a parent, you should read this manual before letting your child ride the bicycle. Please make sure that your child always wears an approved bicycle helmet when riding.

Helmets Save Lives!

- ALWAYS WEAR A PROPERLY FITTED HELMET WHEN RIDING YOUR BICYCLE
- DO NOT RIDE AT NIGHT
- AVOID RIDING IN WET CONDITIONS



Correct Fitting

Make sure your helmet covers your forehead



Incorrect Fitting

Forehead is exposed and vulnerable to serious injury

1 Safety

SAFETY SIGNAL WORDS

The following safety signal words indicate a safety message. The symbol alerts you to potential hazards. Failure to follow the warning may result in damage to property, injury, or death.

This manual contains many Warnings and Cautions concerning the consequences of failure to follow safety warnings. Because any fall can result in serious injury or even death, we do not repeat the warning of possible injury or death whenever the risk of falling is mentioned.

WARNING!

Indicates a hazard or unsafe practice that will result in severe injury or death. Failure to read, understand and follow the safety information in this manual may result in serious injury or death.

CAUTION!

Indicates a hazard or unsafe practice that could result in minor injury.

NOTICE

Indicates a hazard unrelated to personal injury, such as property damage.

USER RESPONSIBILITY

WARNING!

Do not install any kind of power plant or internal combustion engine to a bicycle. Adapting a bicycle in this manner poses an extreme safety risk to rider and could result in loss of control or death.

All persons assembling, using, and maintaining the bicycle must read and understand the safety warnings and operating instructions in this manual before using the bicycle.

It is the responsibility of the user, or in the case of a child rider, an adult, to ensure the bicycle is properly maintained and in proper operating condition. Doing so will reduce the risk of injury. Always conduct regular maintenance and inspection of your bicycle. Complete the Safety Checklist at the end of this section before each use.

A responsible adult must always supervise the use of the bicycle by a child. You must ensure:

- The child is wearing the proper protective attire and approved bicycle helmet.
- The child is seated securely and the bicycle is properly fitted to the child.
- The child understands applicable laws and common sense rules of safe responsible bicycling.

BICYCLE SETUP

WARNING!

Inability to safely reach the handlebars and dismount the bicycle may result in loss of control of the bicycle. If the bicycle has a top tube on the frame, ensure there is one to three inches of clearance between the rider and the top tube.

Improper setup or maintenance of the bicycle may result in an unexpected movement, loss of control, and serious injury or death.

Correct Bicycle Size

Riding a bicycle that is not correctly sized to the rider may result in the rider's feet not being able to touch the ground and balance the bicycle, properly reach the handlebar for steering or braking, and loss of control when pedaling.

Use the wheel size in the following table as a guide to match the rider and bicycle. For example, bicycles with a wheel size of 12 inches fit a rider that is 28 to 38 inches tall. **Note:** Some bicycles such as folding bicycles may have smaller wheels but still fit adults.

If the bicycle has a top tube on the frame, check that there is one to three inches of clearance between the rider and the top tube. **Figure 1.1**

Wheel Size	Riders Approximate Height
12 inch	28 - 38 inches tall
16 inch	38 - 48 inches tall
18 inch	42 - 52 inches tall
20 inch	48 - 60 inches tall
24 inch	56 - 66 inches tall
26 inch, 27.5 inch, 29 inch, 700c	64 - 74 inches tall

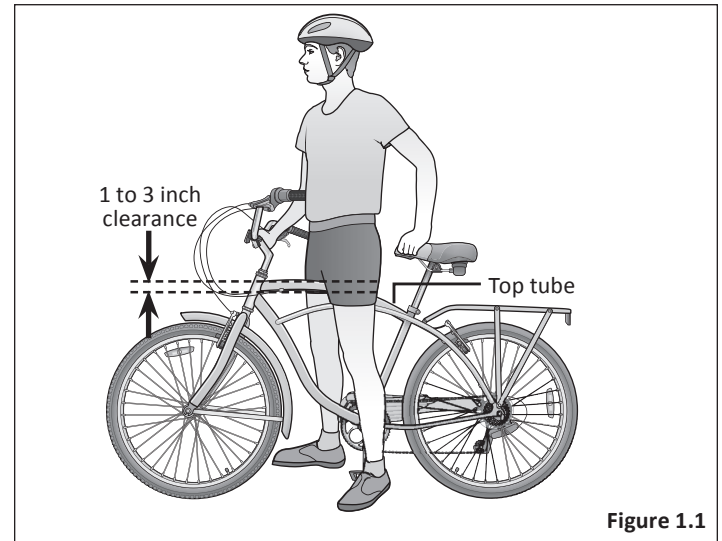


Figure 1.1

Seat Height and Handlebar Reach

WARNING!

Improperly adjusted seat height could affect the rider's ability to reach the handlebar and pedals resulting in unexpected movement, loss of control, and serious injury or death. Follow these guidelines when adjusting the seat height. Always ensure the seat post *minimum insertion marks* are below the seat clamp and **cannot** be seen. Ensure the seat clamp is locked and the seat cannot move.

- 1 Your legs should be almost completely straight when the pedal is in the down most position, just a slight bend in the knee. **Figure 1.2**

Note: The rider's feet may not touch the ground easily. If this is the case the rider can simply move forward off the seat to mount and dismount the bicycle or the seat can be adjusted lower if the rider is uncomfortable with the height, but note that riding is more difficult with the seat too low, as the legs are in an unnatural position.

Do not raise the seat so much the knees lock straight when pedaling or you have to move forward off the seat to pedal. This is unsafe and the bicycle cannot be controlled in this condition.

- 2 You should be able to safely reach the handlebar with your arms bent slightly (approximately 10 degrees) at the elbow.

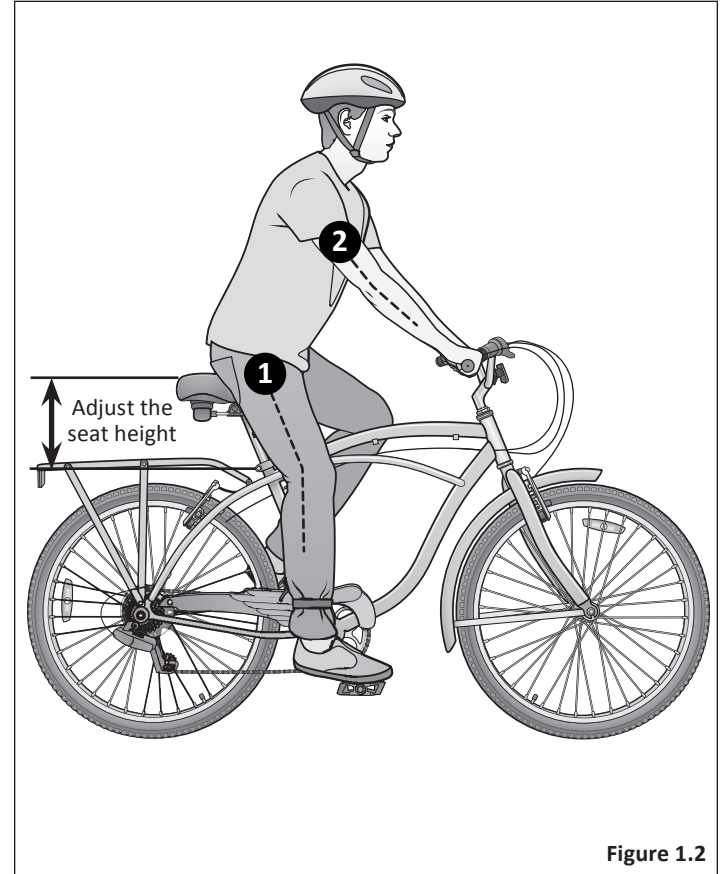


Figure 1.2

Quick-release Levers

⚠ WARNING!

Improper setup or maintenance of the quick-release levers may result in an unexpected movement, loss of control, and serious injury or death. Before riding always check that the quick-release lever is firmly locked in place and the seat does not move.

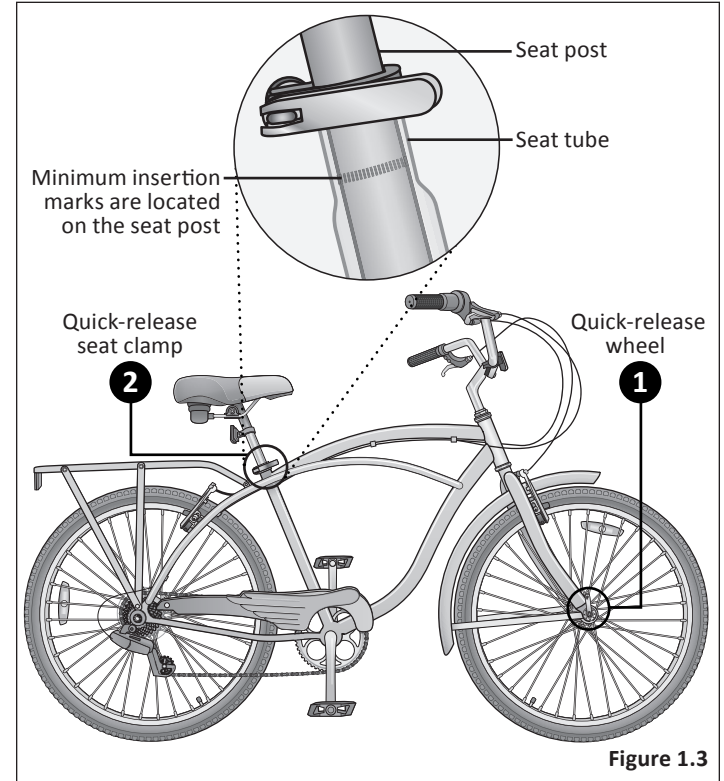
Wheels

- 1 Some bicycles will come equipped with quick-release levers for the front wheel. The wheels must be securely locked. Ensure the wheel quick-release lever is firmly locked in place. **Figure 1.3**

Seat Post

- 2 Ensure the seat post's *minimum insertion marks* are **not** visible above the quick-release seat clamp and the clamp is locked in place.

Note: See **Section 4: Adjusting the Seat Height** if adjustments are needed.



PERSONAL SAFETY

WARNING!

Riding a bicycle without protective gear, clothing, or a helmet may result in serious injury or death. Always wear protective gear, clothing, and helmet when riding the bicycle. Ensure protective gear does not interfere with steering, braking, and pedaling.

Protective Gear and Clothing

Always wear: Figure 1.4

- Colors that are easily seen and, if possible, reflective clothing.
- Clothing appropriate for the weather conditions.
- Use of protective gear such as pads for the knees and elbows is highly recommended for children.
- A properly fitted, ASTM or SNELL approved, bicycle helmet shall be worn at all times by riders of the bicycle. For information regarding how to properly fit a helmet visit: <http://www.nhtsa.gov/people/injury/pedbimot/bike/easystepsweb>

Do not wear:

- Loose clothing parts, strings, or jewelry that may become entangled with moving parts on the bicycle or interfere with handling of the bicycle.

- Pants with loose pant legs. If necessary, always tuck pant legs into a sock or use a leg band to avoid the clothing becoming caught in the drive chain.
- Shoes with untied shoe laces.

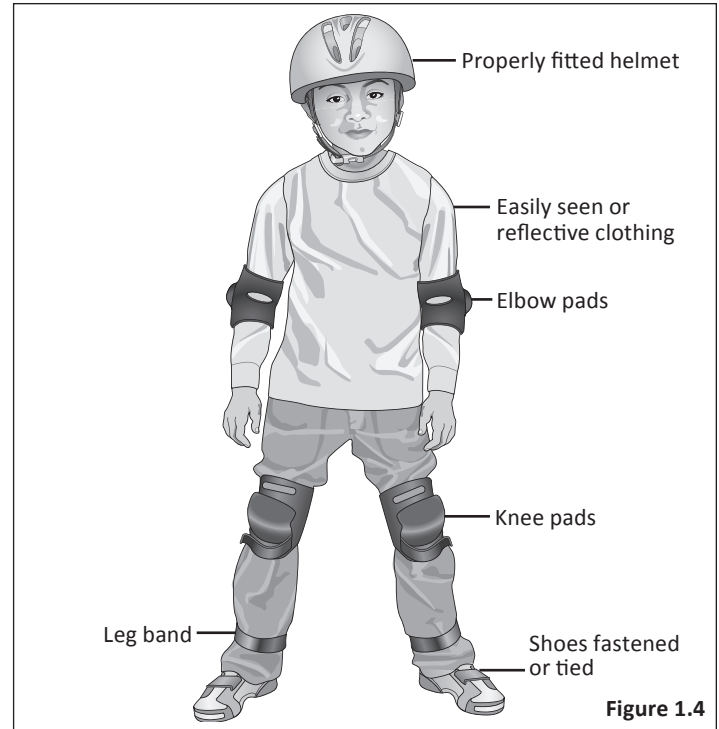


Figure 1.4

Helmet Use

Important! Many states have passed helmet laws regarding children. Make sure you know your state's helmet laws. It is your job to enforce these rules with your children. Even if your state does not have a children's helmet law, it is recommended that everyone wear a helmet when cycling. When riding with a child carrier seat or trailer, children must wear a helmet.

It is strongly advised that a properly fitting, ASTM or SNELL approved, bicycle safety helmet be worn at all times when riding your bicycle. In addition, if you are carrying a passenger in a child safety seat, they must also be wearing a helmet.

The correct helmet should: Figure 1.5

- Be comfortable
- Have good ventilation
- Fit correctly
- Cover forehead

Incorrect helmet position: Figure 1.6

- Helmet **does not** cover the forehead



Figure 1.5



Figure 1.6

1 Safety

Reflectors

WARNING!

Missing, damaged, or dirty reflectors will affect the ability of others to see and recognize you as a moving bicyclist increasing the risk of being hit, serious injury or death. Always check the reflectors are in place and make sure they are clean, straight, unbroken and securely mounted before riding the bicycle.

Important! Federal regulations require every bicycle over 16 inches to be equipped with front, rear, wheel, and pedal reflectors. Many states require specific safety devices. It is your responsibility to familiarize yourself with the laws of the state where you ride and to comply with all applicable laws, including properly equipping yourself and your bike as the law requires. Bicycles under 16 inches are considered “sidewalk bicycles” and may not be fitted with reflectors. These bicycles should **not** be ridden on streets, at night or unsupervised by an adult.

Check and confirm the front and rear reflectors are in the correct position: **Figure 1.7**

- **Front Reflector:** Should aim forward (when viewed from above) and be mounted so it is within 5 degrees of vertical.
- **Rear Reflector:** Should aim straight back (when viewed from above) and be mounted so it is within 5 degrees of vertical.

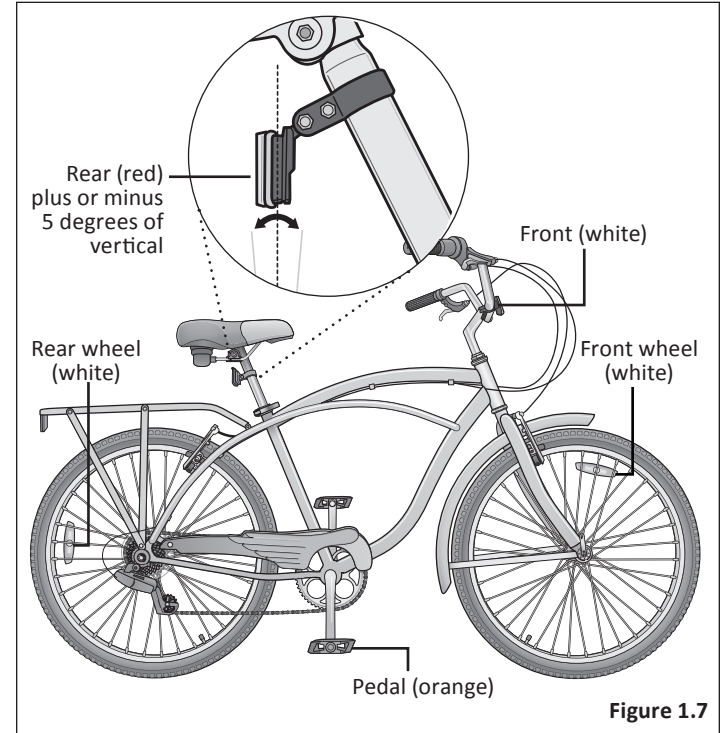


Figure 1.7

RIDING SAFETY

WARNING!

Riding the bicycle in unsafe conditions (i.e. at night), in an unsafe manner, or disregarding traffic laws may result in an unexpected movement, loss of control, and serious injury or death.

General Safety

- Familiarize yourself with all the bicycle's features before riding. Practice gear shifts, braking, and the use of toe clips and straps, if installed.
- Always ride defensively in a predictable, straight line. Never ride against traffic.
- Expect the unexpected (e.g., opening car doors or cars backing out of concealed driveways).
- Take extra care at intersections and when preparing to pass other vehicles.
- Maintain a comfortable stopping distance from all other riders, vehicles and objects. Safe braking distances and forces are subject to the prevailing weather conditions. Do not lock up the brakes. When braking, always apply the rear brake first, then the front. The front brake is more powerful and if it is not correctly applied, you may lose control and fall.
- Always use the correct hand signals to indicate turning or stopping.
- Obey the traffic laws (e.g., stopping at a red light or stop sign, giving way to pedestrians).

- Wear proper riding attire, reflective if possible, and avoid open toe shoes.
- Do not use items that may restrict your hearing and vision.
- Do not carry packages or passengers that will interfere with your visibility or control of the bicycle.

Road Conditions

- Be aware of road conditions. Concentrate on the path ahead. Avoid pot holes, gravel, wet road markings, oil, curbs, speed bumps, drain grates and other obstacles.
- Cross train tracks at a 90 degree angle or walk your bicycle across.

Wet Weather

- When riding in wet weather always wear reflective clothing and use safety lights to enhance visibility.
- Exercise extreme caution when riding in wet conditions.
- Ride at a slower speed. Turn corners gradually and avoid sudden braking.
- Brake earlier, it will take a longer distance to stop.
- Pot holes and slippery surfaces such as line markings and train tracks all become more hazardous when wet.

1 Safety

Night Riding

- **Important!** Riding a bicycle at night is **not** recommended. Check your local laws regarding night riding.
- Ensure bicycle is equipped with a full set of correctly positioned and clean reflectors.
- Use a white light on the front and a red light on the rear. Use lights with flashing capability for enhanced visibility.
- If using battery powered lights, make sure batteries are well charged.
- Wear reflective and light colored clothing. Wear reflective clothing and use safety lights for increased visibility.
- Ride at night only if necessary. Slow down and use familiar roads with street lighting.

Hill Technique

- Gear down before a climb and continue gearing down as required to maintain pedaling speed.
- If you reach the lowest gear and are struggling, stand up on your pedals. You will then obtain more power from each pedal revolution.
- On the descent, use the high gears to avoid rapid pedaling.
- Do not exceed a comfortable speed; maintain control and take additional care.
- Braking will require additional distance. Initiate braking slowly and earlier than usual.

Cornering Technique

- Brake slightly before cornering and prepare to lean your body into the corner.
- Maintain the inside pedal at the 12 o'clock position and slightly point the inside knee in the direction you are turning.
- Keep the other leg straight, do not pedal through fast or tight corners.
- Decrease your riding speed, avoid sudden braking and sharp turns.

Safe Riding Rules for Children

- Many states require that children wear a helmet while cycling. Always wear a properly fitted helmet.
- Do not play in driveways or the road.
- Do not ride on busy streets.
- Do not ride at night.
- Obey all the traffic laws, especially stop signs and red lights.
- Be aware of other road vehicles behind and nearby.
- Before entering a street: Stop, look left, right, and left again for traffic. If there's no traffic, proceed into the roadway.
- If riding downhill, be extra careful. Slow down using the brakes and maintain control of the steering.
- Never take your hands off the handlebars, or your feet off the pedals when riding downhill.

BEFORE YOU RIDE SAFETY CHECKLIST

Before every ride, it is important to carry out the following safety checks. Do not ride a bicycle that is not in proper working condition!

Accessories

- The reflectors are properly placed and not obscured. **Note:** Bicycles 16" and under may not be equipped with reflectors since small children should not ride at night.
- All other fittings on the bike are properly and securely fastened, and functioning.
- The rider is wearing a properly fitted helmet (protective gear if necessary) and that clothing and loose items are properly constrained.

Bearings

- All bearings are lubricated, run freely and display no excess movement, grinding or rattling.

Brakes

- The front and rear brakes work properly.
- The brake shoe pads are not overly worn and are correctly positioned in relation to the rims.
- The brake control cables are lubricated, correctly adjusted and display no obvious wear.
- The brake control levers are lubricated and tightly secured to the handlebar.

Chains

- The chain is oiled, clean and run smoothly.

Cranks and Pedals

- The pedals are securely tightened to the crank arms.
- The crank arms are secured to the axle and are not bent.

Frame and Fork

- The frame and fork are not bent or broken.
- The quick-release clamps are locked in place.

Steering

- The handlebar and post are correctly adjusted and tightened, and allow proper steering.
- The handlebars are set correctly in relation to the forks and the direction of travel.
- The handlebar binder bolt is tightened.

Wheels and Tires

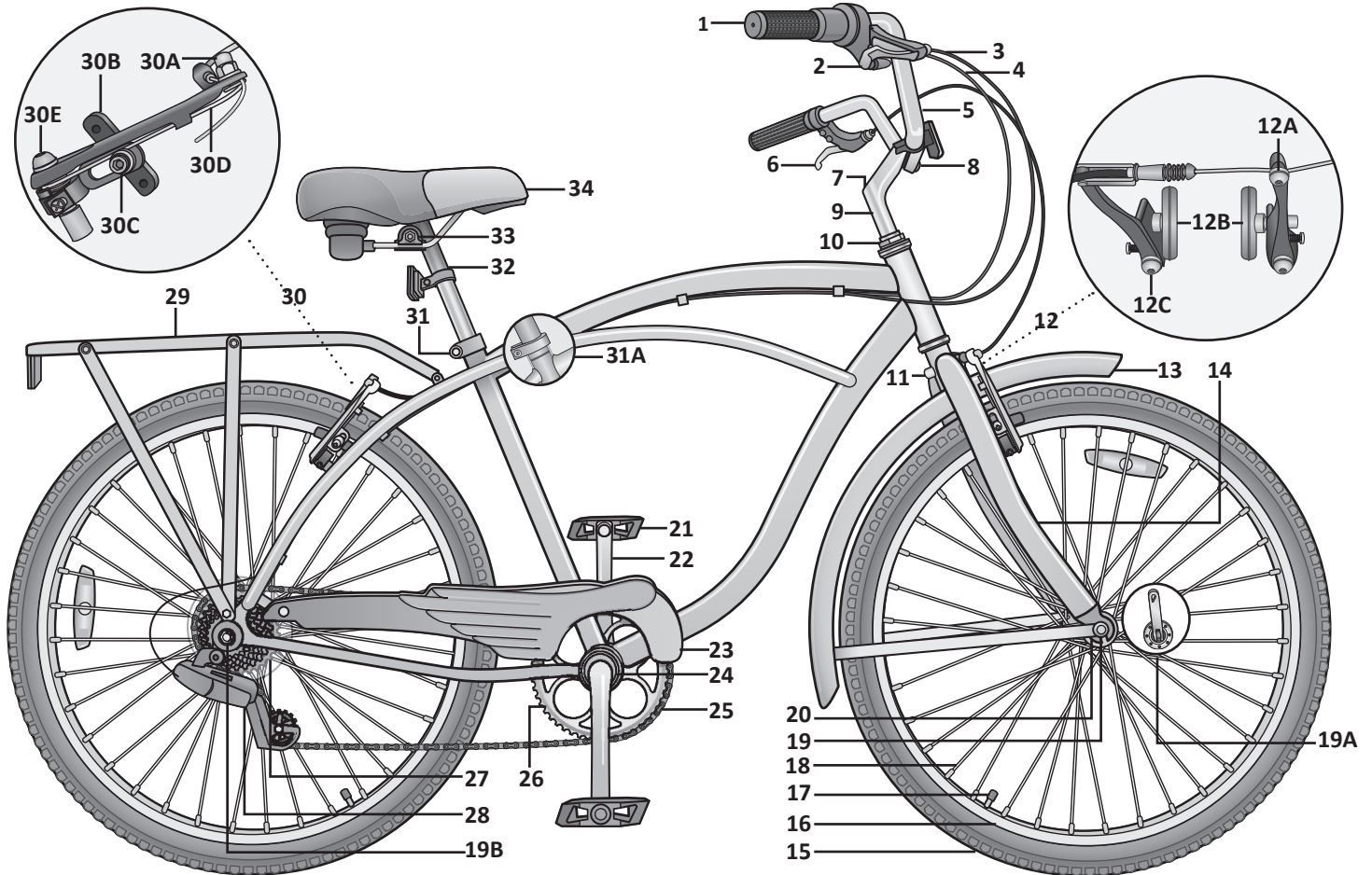
- The rims do not have dirt or grease on them.
- The wheels are properly attached to the bicycle and axle.
- The tires are properly inflated within the recommended pressures displayed on the tires sidewall.
- The tires have the proper amount of tread, no bulges or excessive wear.

2 Parts Identification

Cruiser Bicycle

Get to know the parts of your bicycle. This will help with assembly, maintenance, and troubleshooting. Color, style and parts may vary.

Part name		Torque (in. lb)	Part name		Torque (in. lb)	Part name		Torque (in. lb)
1	Handlebar grip	-	16	Rim	-	30B	Brake pad	-
2	Rear brake lever	55-70	17	Valve stem	-	30C	Brake pad hardware	50-60
3	Brake cable	-	18	Spoke	-	30D	Brake spring	-
4	Shifter cable	-	19	Wheel axle nut (front)	180-240	30E	Brake pivot bolt	17-20
5	Handlebar	-	19A	Wheel quick-release (option)	-	31	Seat post clamp	60-80
6	Front brake lever	-	19B	Wheel axle nut (rear)	240-300	31A	Seat quick-release (option)	?
7	Stem binder bolt	100-120	20	Fork dropout	-	32	Seat post	-
8	Handlebar binder bolt(s)	145-200	21	Pedal	300-360	33	Seat post attaching hardware	130-170
9	Stem	-	22	Crank arm	300	34	Saddle (seat)	-
10	Headset	175-260	23	Chain guard	-			
11	Caliper brake attaching nut	70-85	24	Bottom bracket lockring	300			
12	Caliper brake assembly	50-70	25	Chain	-			
12A	Brake cable pinch bolt	50-70	26	Chainwheel	-			
12B	Brake pads	-	27	Freewheel	-			
12C	Brake pads hardware	50-60	28	Rear derailleur	-			
13	Front Fender	-	29	Back rack	-			
14	Fork	-	30	Linear brake assembly	-			
15	Tire	-	30A	Brake cable pinch bolt	50-70			



3 Assembly

⚠ WARNING!

- Improper assembly of this product may result in serious injury or death. Always follow the instructions in this manual and check critical components (e.g. wheels, seat, pedals, brakes, derailleurs, tires) before each use.
- We recommend that you consult a bicycle specialist if you have doubts or concerns as to your experience or ability to properly assemble, repair, or maintain your bicycle. If your bicycle was obtained assembled, we recommend that you read these instructions and perform checks specified in this manual before riding.

Your new bicycle was assembled and tuned in the factory and then partially disassembled for shipping. You may have purchased the bicycle already fully assembled and ready to ride or in the shipping carton in the partially disassembled form. The following instructions will enable you to prepare your bicycle for years of enjoyable cycling.

For more details on inspection, lubrication, maintenance and adjustment of any area please refer to the relevant sections in this manual. If you have questions about your ability to properly assemble this unit, please consult a qualified specialist before riding.

If you need replacement parts or have questions pertaining to the assembly of your bicycle, call the service line direct at: **1-800-626-2811**. Monday - Friday 8:00 am to 5:00 pm Central Standard Time (CST).

TOOLS REQUIRED

- Phillips head screw driver
- 4 mm, 5 mm, 6 mm and 8 mm Allen wrench
- Adjustable wrench or a 9 mm, 10 mm, 14 mm and 15 mm open and box end wrenches
- A pair of pliers with cable cutting ability

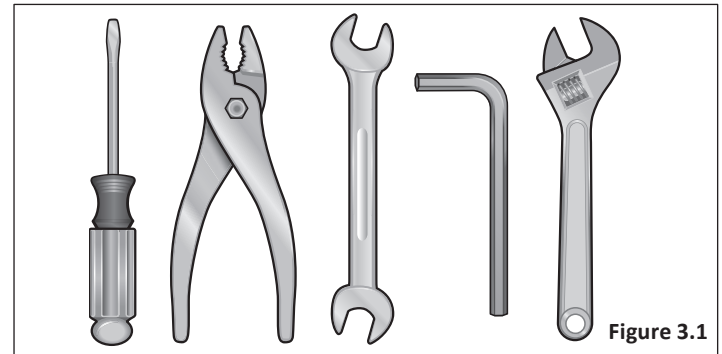


Figure 3.1

GETTING STARTED

- 1 Open the carton from the top and remove the bicycle.
Figure 3.2
- 2 Remove the straps and protective packaging from the bicycle. **Important!** Do not discard packing materials until assembly is complete to ensure that no required parts are accidentally discarded.
- 3 Inspect the bicycle and all accessories and parts for possible shortages. It is recommended that the threads and all moving parts in the parts package be lubricated prior to installation. **Note:** We recommend using a lithium based grease on the parts before assembly.

Not all bicycles will come equipped with accessories such as baskets and bells.

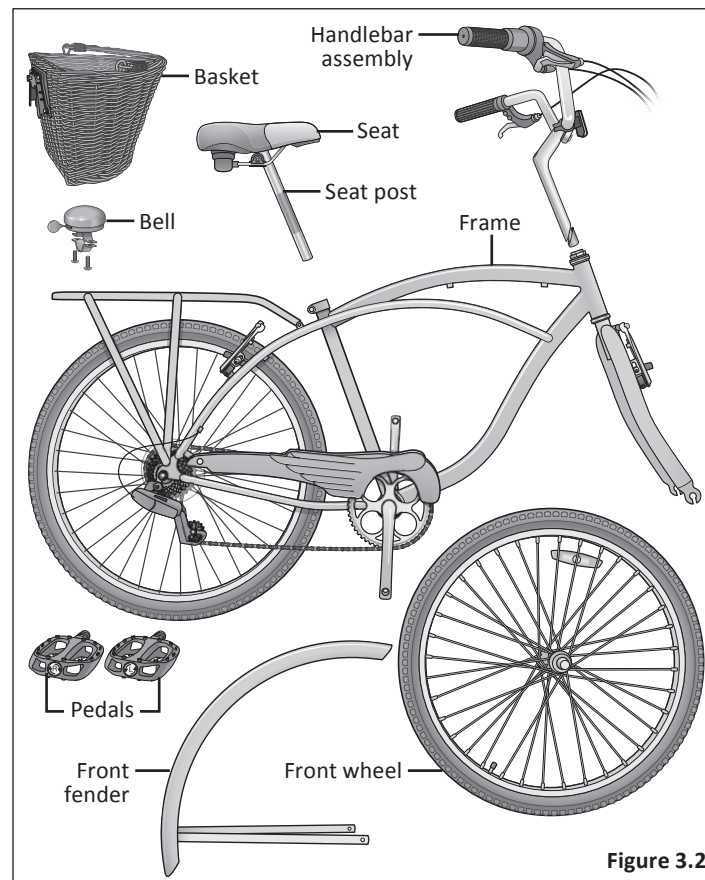


Figure 3.2

ATTACH THE HANDLEBAR

⚠ WARNING!

- Improper attachment of the handlebar may result in damage to the stem post, steerer tube and result in loss of control, serious injury or death. Ensure the **minimum insertion marks** on the stem post are **not** visible above the top of the headset.
- Failure to properly tighten handlebar components may result in loss of control, serious injury or death. Always check the handlebar cannot move and is secured to the frame before riding the bicycle.

1 Turn the front fork to face forward. **Figure 3.3**

Position the handlebar assembly over the steerer tube. Look at all the cables to be sure they run in a smooth arc from the shifter or brake lever to the front brake or cable stop on the frame. **Important!** If they are twisted or kinked, the shifting and braking will not work.

2 Insert the stem post into the steerer tube and adjust the handlebar until the rider feels they have control of the bicycle and are comfortable. See **Section 1, Fig. 1.2: Seat Height and Handlebar Reach** for guidelines.

Important! Be sure the **minimum insertion marks** do **not** go above the top of the headset and are **not** visible.

- ### 3 Using a 6 mm Allen wrench tighten the stem binder bolt at the top of the stem post. Check the handlebar binder bolt(s) to be sure they are properly tightened and the handlebar is clamped in place. **Note:** See **Section 4: Adjusting the Handlebar** if adjustments are needed.

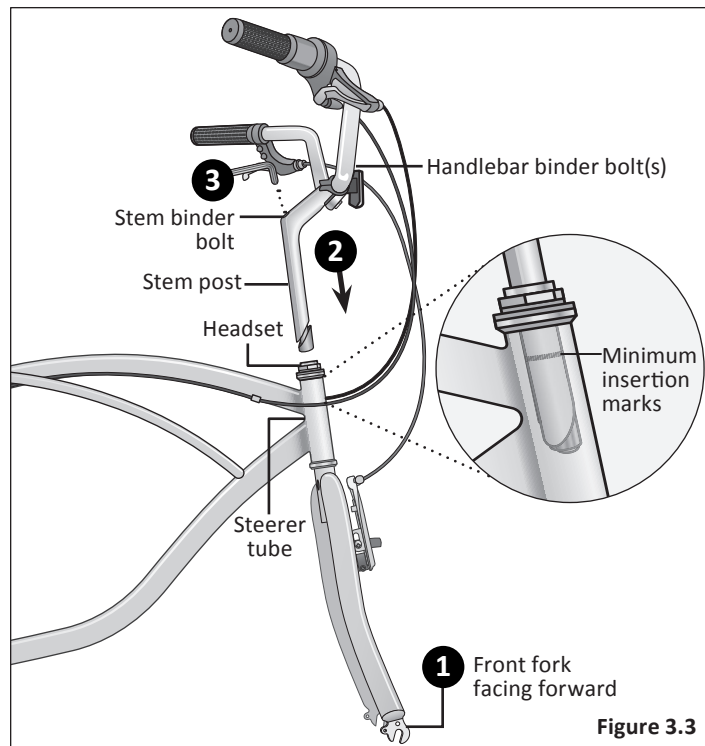


Figure 3.3

ATTACH THE BRAKE CABLES

⚠ WARNING!

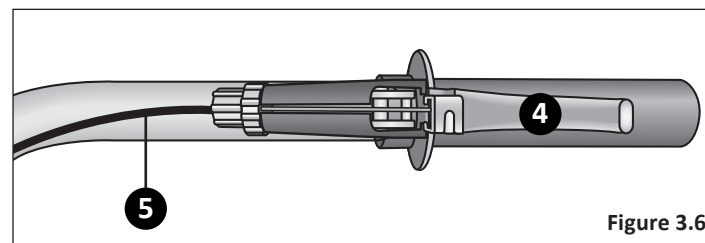
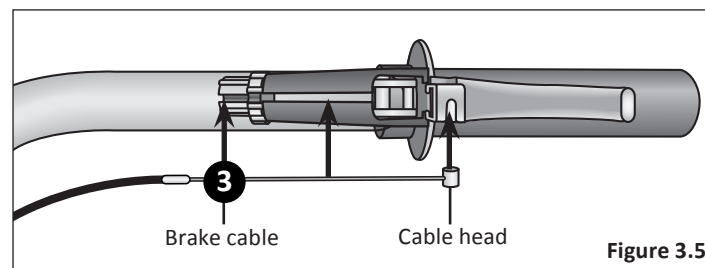
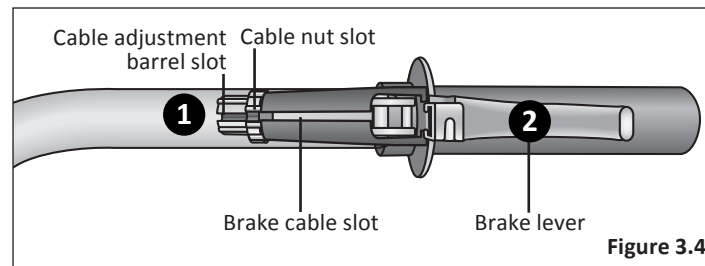
Failure to properly set the brakes may result in the inability to stop the bicycle movement and cause serious injury or death. Be sure the brakes are functioning properly before using the bicycle.

There are two brake options, *Caliper* and *Linear Pull*.

Follow these steps if the brake cables are not attached to the brake levers:

- 1 Rotate the cable adjustment barrel and cable nut until the slots are aligned with the slot on the brake lever body. **Figure 3.4**
- 2 Press the brake lever towards the grip.
- 3 Slide the brake cable through the slots and place the cable head into the brake lever. **Figure 3.5**
- 4 Release the brake lever. **Figure 3.6**
- 5 Lightly pull on the cable and rotate the cable nut and cable barrel so they are no longer aligned.

Note: See **Section 4: Adjusting the Brakes** if adjustments are needed.



ATTACH THE FRONT FENDER AND FRONT WHEEL

There are two types of front wheel and fender assemblies; **nutted wheel with flat fender brace** and **quick-release with rounded fender brace**. **Note:** Quick-release wheels may be on both the front and rear wheels or just one. Also, some tire tread patterns have a direction, so compare your front tire and rear tire of the bicycle so that both tread patterns face the same way.

Nutted Front Wheel with Flat Fender Brace

- 1 Position the front fender so the fender bracket is on the inside of the frame. The fender is attached to the fork crown. Align the hole in the bracket to the hole in the fork crown. **Figure 3.7**
- 2 Place a washer on the screw and insert the screw through the holes in the bracket and fork crown.
- 3 Place a washer on the screw.
- 4 Place the hex nut on the screw and tighten.

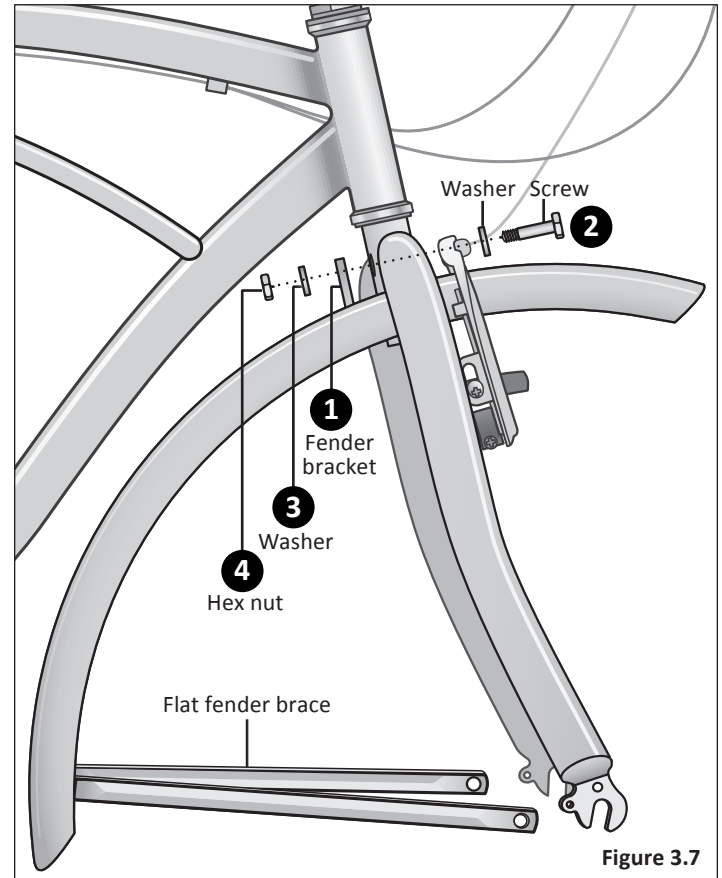


Figure 3.7

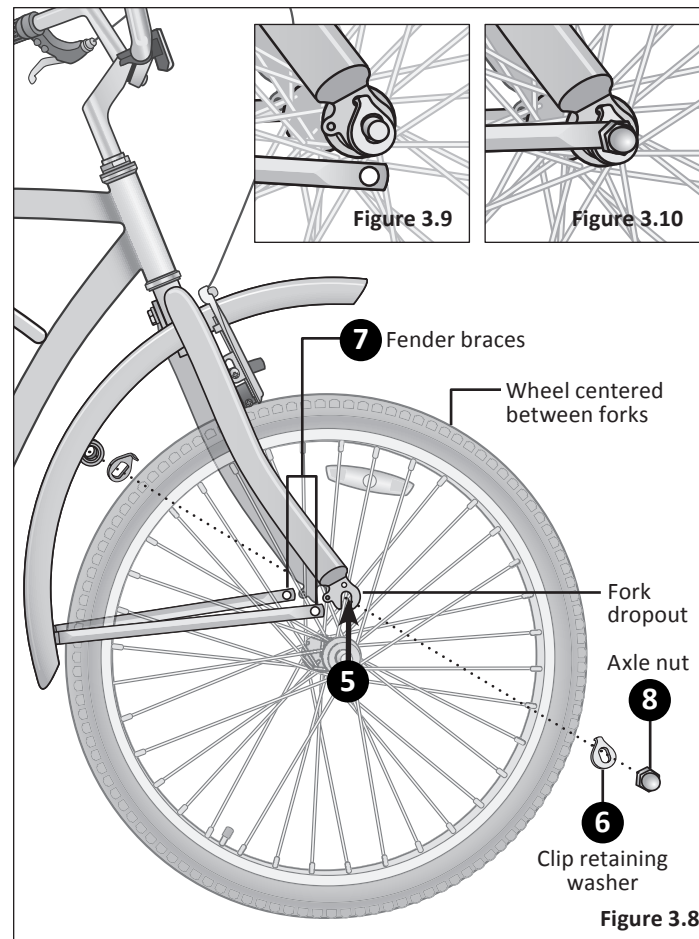
- 5 Position the front wheel between the front fork legs with the axle resting inside the fork dropout. **Important!** Be sure the wheel is as **centered** as possible between the fork legs. **Figure 3.8**

- 6 Place the clip retaining washer on the axle and slide it up against the fork dropout. Make sure the hooked end is inside the small hole of the fork dropout. **Figure 3.9**

- 7 Insert the end of each fender brace over the clip retaining washer. **Figure 3.10**

- 8 Place the two outer axle nuts on and tighten evenly. Tighten one side part way, then tighten the other side and repeat until both sides are tightened securely. Be sure that the wheel remained centered between the fork legs.

- 9 If the wheel is off center, loosen the axle nut on the side that has a smaller gap between tire and fork leg and use your hand to push the wheel to a centered position; hold the wheel with one hand and tighten the axle nut and check again. Repeat if needed to be sure the wheel is centered and securely tightened.

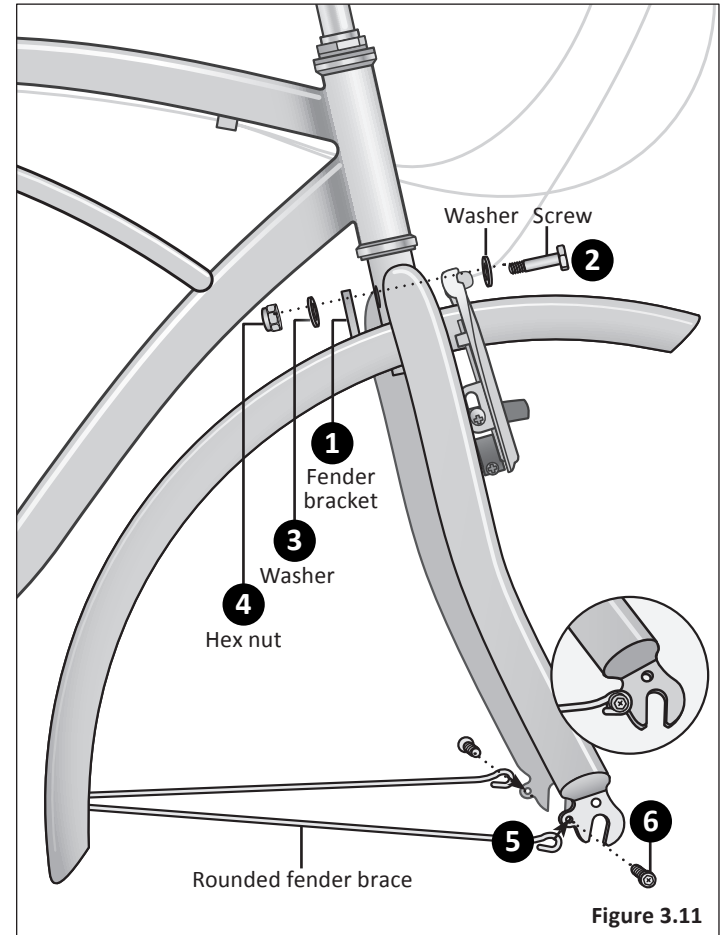


3 Assembly

Quick-release Front Wheel with Rounded Fender Brace

If you have a **quick-release front wheel with rounded fender brace** attach the fender first.

- 1 Position the front fender so the fender bracket is on the inside of the frame. The fender is attached to the fork crown. Align the hole in the bracket to the hole in the fork crown. **Figure 3.11**
- 2 Place a washer on the screw and insert the screw through the holes in the bracket and fork crown.
- 3 Place a washer on the screw.
- 4 Place the hex nut on the screw and tighten.
- 5 Place the rounded fender braces over the small hole on the back of the fork dropout.
- 6 Insert the small screws through the rounded fender brace and screw into the fork dropout.
- 7 Position the fender and loosely tighten the screws.
- 8 Attach the wheel and firmly fasten the fender in place.



Quick-release Front Wheel

WARNING!

- All quick-release levers should be inspected before every ride to be sure they are fully closed and secure. Failure to properly close a quick-release lever can cause loss of control of the bicycle resulting in injury or death.
- Make sure the wheel is properly seated and the quick-release lever is properly closed.

- 1 Some tire tread patterns have a direction, so compare your front tire and rear tire of the bicycle so that both tread patterns face the same way.
- 2 Locate the skewer from the small parts carton of your bicycle. **Figure 3.12**
- 3 Unscrew the adjustment nut from the skewer, remove outer spring and slide the skewer through the front wheel axle so the quick-release lever is on the side of the bike **opposite** the chain.
- 4 Slide the outer spring over the end of the skewer.
Note: The smaller end should be in towards the wheel.
- 5 Begin to thread the adjustment nut back onto the skewer, but do not tighten too far. Allow enough play so you can place the axle into the fork drop out.

- 6 Slide the wheel into the fork dropout slots. **Note:** If you have a wheel with disc brakes insert the disc rotor into the center of the disc brake at the same time you are inserting the wheel axle into the fork drop out.

Important! Be sure the wheel is as **centered** as possible between the fork legs.

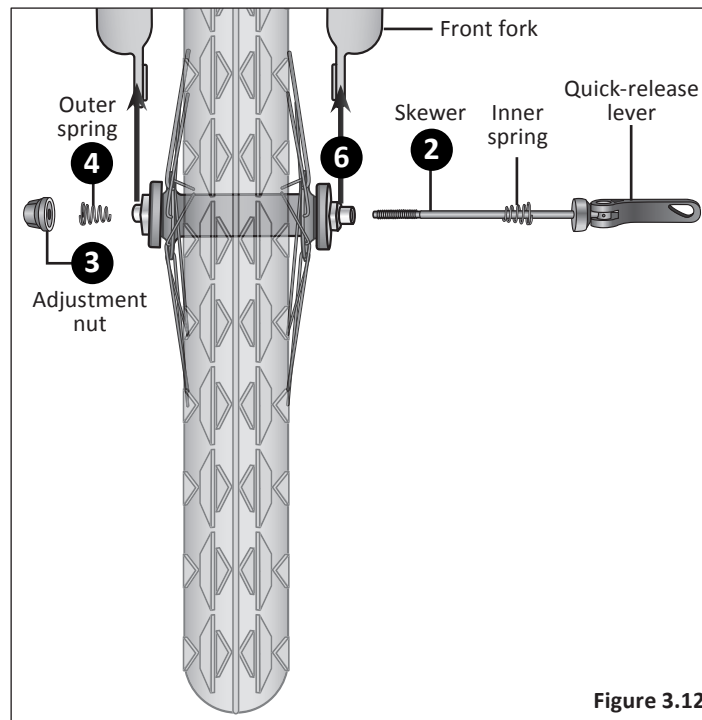


Figure 3.12

3 Assembly

- 7 Move the quick-release lever into the **open** position. With one hand on the quick-release lever and one hand on the adjustment nut, start to hand tighten the adjustment nut until you start to feel some resistance against the fork.

Figure 3.13

- 8 Try to close the quick-release lever. If it closes easily, open it up and tighten the adjustment nut further. If it is too difficult to close, open the quick-release lever up and loosen the adjustment nut a little and try again. **Do not** attempt to tighten by turning the quick-release lever. The quick-release lever is for closing, the adjustment nut is for adjusting the tension.

Important! You should feel resistance when you close the quick-release lever that should leave a temporary impression on your fingers. Open and close the handle to ensure the wheel is securely locked in place.

- 9 Re-check that the handlebars are perpendicular to the front wheel. Adjust if needed.

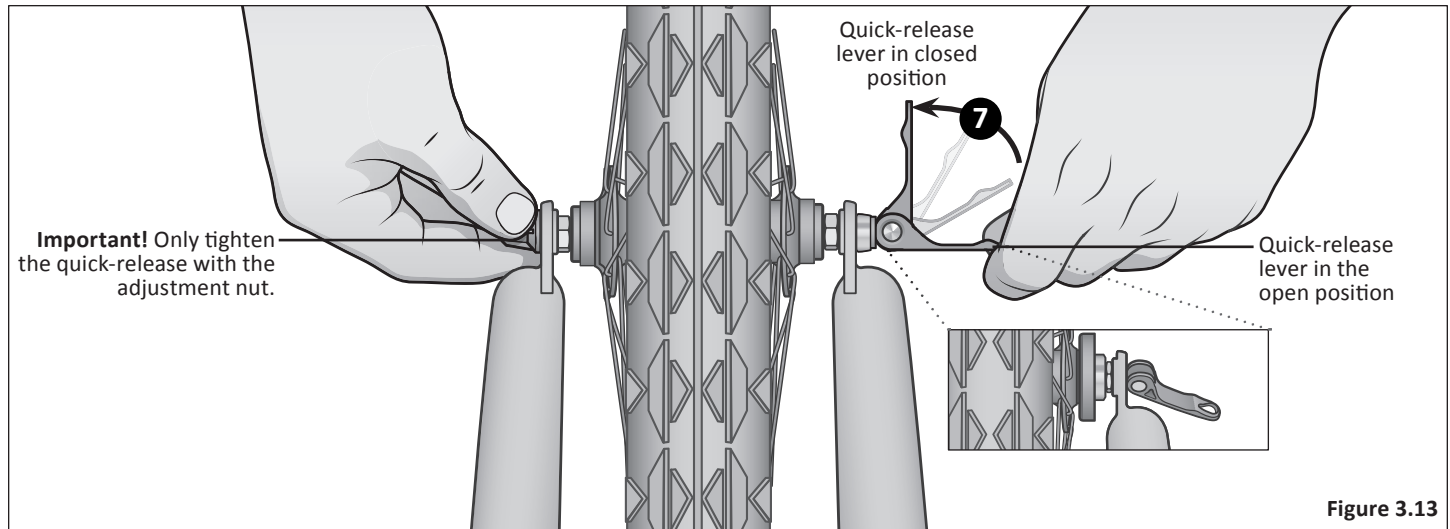


Figure 3.13

ATTACH THE SEAT

⚠️ WARNING!

Improperly adjusted seat height could affect the rider's ability to reach the handlebar and pedals may resulting in unexpected movement, loss of control and serious injury or death. Follow these guidelines when adjusting the seat height. Always ensure the seat post **minimum insertion marks** are below the seat clamp and **cannot** be seen. Ensure the seat clamp is locked and the seat cannot move.

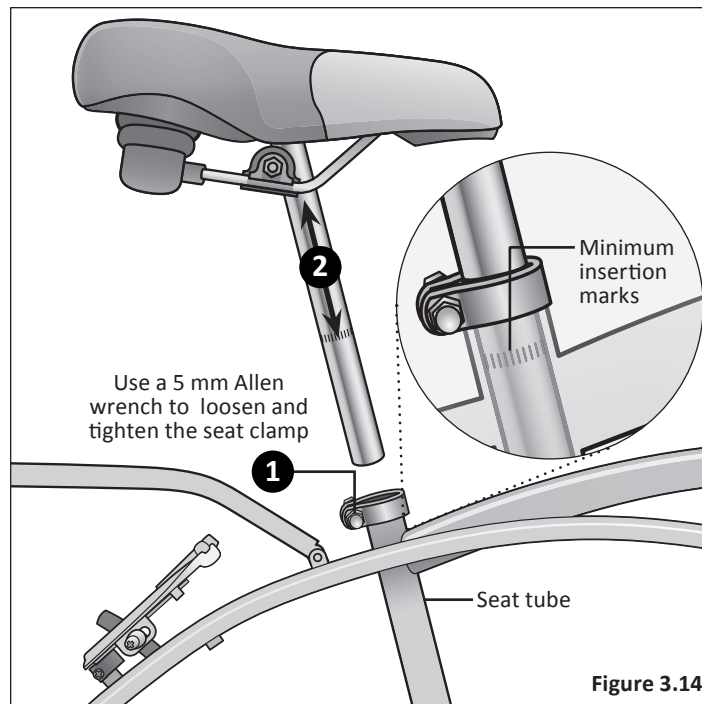
There are two kinds of seat clamps; **bolted** and **quick-release**, and two kinds of seat posts **standard** and **micro-adjust**. The seat assembly should be adjusted with the seat centered on the rails and level. It is recommended to add some grease to all threads and binders on a bicycle, especially on the outside of the seat post. Otherwise it may corrode over time and not be able to be adjusted again.

Bolted Seat Clamp

- 1 Using a 5 mm Allen wrench, loosen the seat clamp bolt and insert the seat post into the seat tube. **Figure 3.14**
- 2 Adjust the seat height up or down until the rider feels they have control of the bicycle and is comfortable.

Important! Be sure the **minimum insertion marks** do not go past the top of the seat clamp and are **not** visible. See **Section 1, Fig. 1.2: Seat Height and Handlebar Reach**.

- 3 Tighten the seat clamp bolt to lock the seat in place.
- 4 Check the seat to be sure it does not move.



3 Assembly

Quick-release Seat Clamp

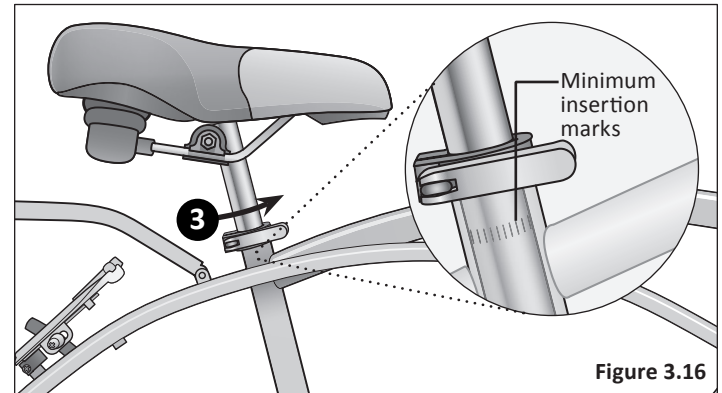
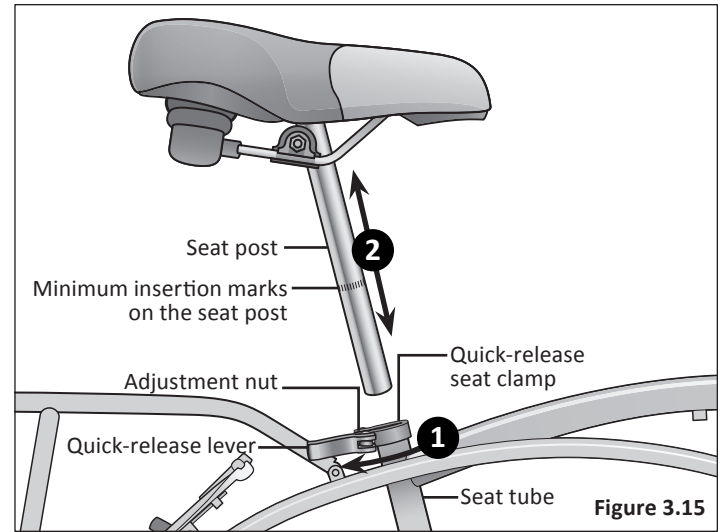
- 1 Unlock the quick-release lever and insert the seat post into the seat tube. **Figure 3.15**
- 2 Adjust the seat height up or down until the rider feels they have control of the bicycle and is comfortable.

Important! Be sure the *minimum insertion marks* do not go past the top of the seat clamp and are *not* visible. See **Section 1, Fig. 1.2: Seat Height and Handlebar Reach.**

- 3 Close the quick-release lever and lock the seat in place. If there is not enough pressure to hold the seat in place open the quick-release lever. With one hand on the quick-release lever and one hand on the adjustment nut, start to hand tighten the adjustment nut until you start to feel some resistance against the seat post clamp. **Do not** attempt to tighten by turning the quick-release lever. The quick-release lever is for closing, the adjustment nut is for adjusting the pressure. **Figure 3.16**

- 4 Try to close the quick-release lever. If it closes easily, open it up and tighten the adjustment nut further. If it is too difficult to close, open the quick-release lever up and loosen the adjustment nut a little and try again.

Important! You should feel resistance when you close the quick-release lever that should leave a temporary impression on your fingers. Open and close the handle to ensure the seat is securely locked in place.

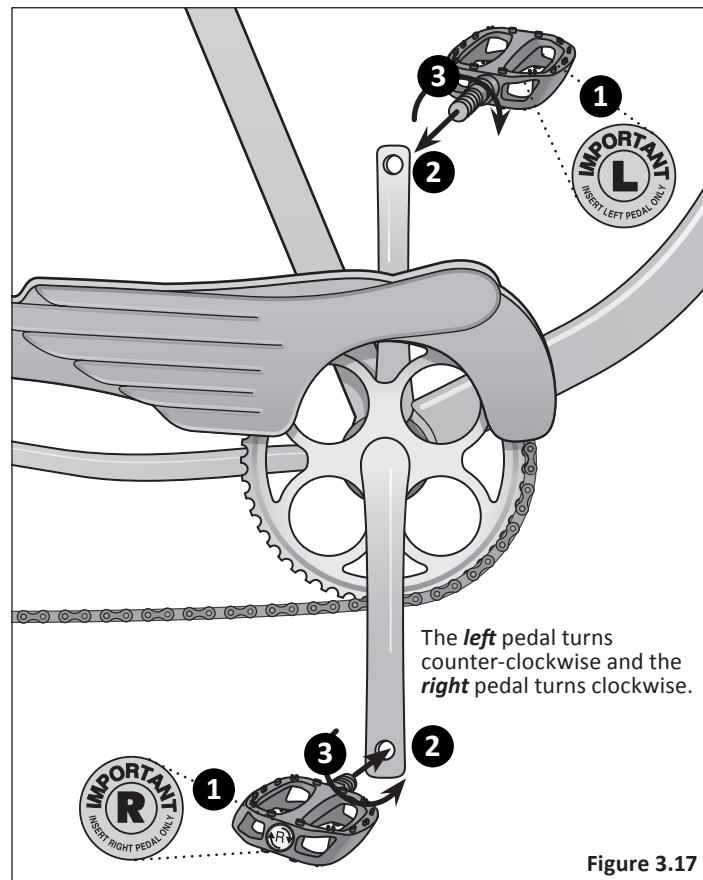


ATTACH THE PEDALS

⚠ WARNING!

- Attachment of an incorrect pedal into a crank arm can strip pedal threads and cause irreparable damage. Visually match the **R** and **L** stickers on the pedal and crank arm before attaching the pedals. Before your first ride, please check to ensure your pedals are attached correctly.
- It is very important that you check the crank set for correct adjustment and tightness before riding your bicycle.

- 1 Match the pedal marked R with the right-hand crank arm and match the pedal marked L with the left-hand crank arm. **Figure 3.17**
- 2 Place the threaded pedal into the threaded hole on the crank arm.
- 3 By hand, slowly turn the spindle the correct direction. Clockwise for right side pedal, counterclockwise for left side pedal. **Important!** Stop if you feel resistance! This may be an indication the spindle is entering the hole at an angle. Remove the spindle and repeat step two and three.
- 4 If the spindle is entering the hole cleanly then use a 15 mm wrench or pliers to tighten completely.
- 5 Repeat steps 1- 4 for the remaining pedal.



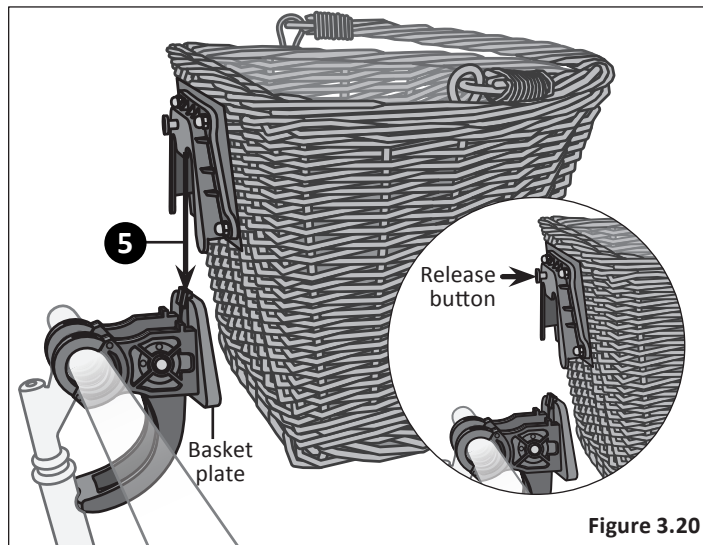
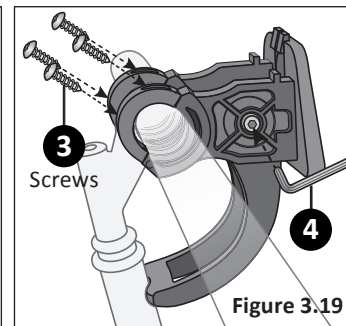
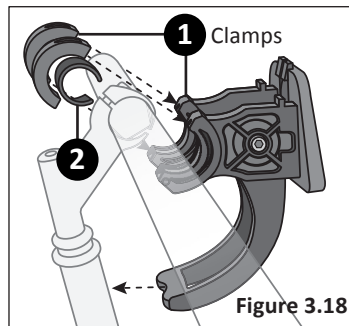
ATTACH THE BASKET

⚠ WARNING!

Failure to securely attach the basket to the bicycle may cause the basket to fall off and cause an accident resulting in serious injury or death. Always make sure the basket is secured before riding. Do not carry pets in the basket or loads greater than 10 lbs. (4.5 kgs).

Note: Not all bicycles will come equipped with baskets

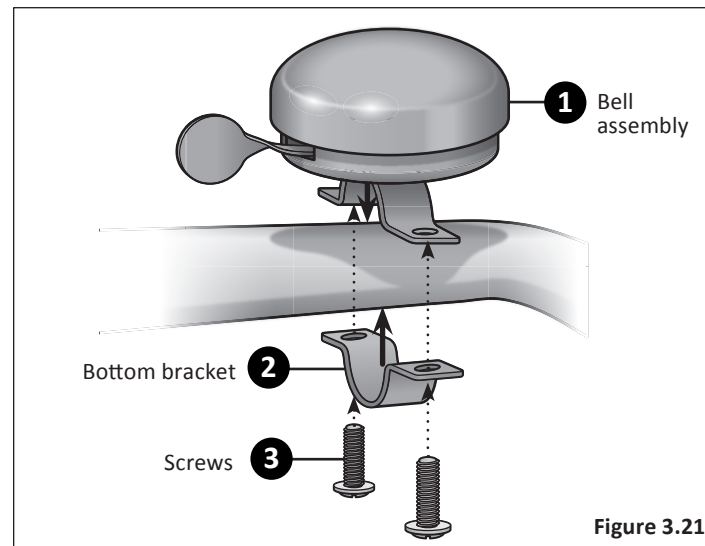
- 1 Place the mounting bracket on the handlebars so the clamps are on either side of the stem and the basket plate is facing forward. The bottom brace should fit snug against the bicycle. **Figure 3.18**
- 2 Make sure the clamps have a snug fit against the handlebars. Use the shims provided as needed to create the right fit.
- 3 Align clamp holes with mounting bracket holes and insert the screws. Tighten all four screws evenly. **Figure 3.19**
- 4 To adjust the angle of the basket, use a 4 mm Allen wrench on the bolt at the side of the bracket. Once adjusted to the correct angle, tighten to secure.
- 5 To attach the basket, push the basket down onto the basket plate until it clicks into place. To remove the basket, push the red release button located on the basket bracket and lift the basket up. **Figure 3.20**



ATTACH THE BELL

Note: Not all bicycles will come equipped with a bell.

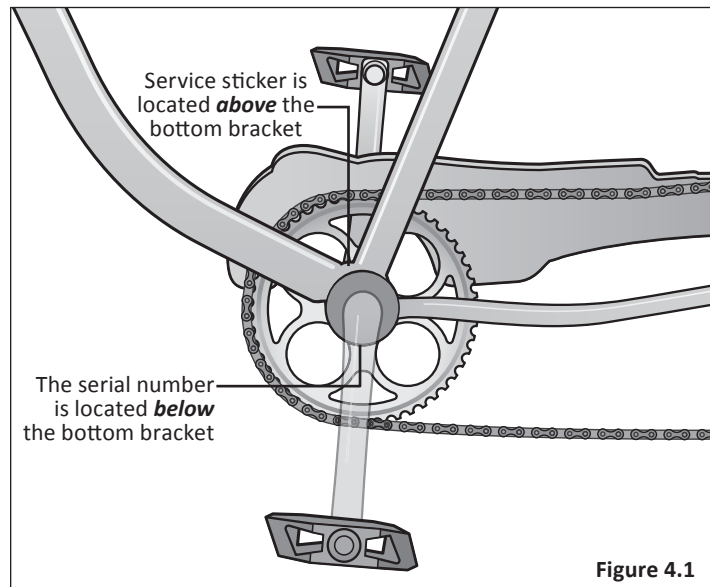
- 1 Place the bell assembly on top of the handlebar. **Figure 3.21**
- 2 Place the bottom bracket under the handlebar, aligning the holes in the bottom bracket with the holes in the top bracket.
- 3 Insert the screws up into the holes of the bottom bracket, into the top bracket and tighten the screws with a small phillips head screwdriver.



4 Adjustments

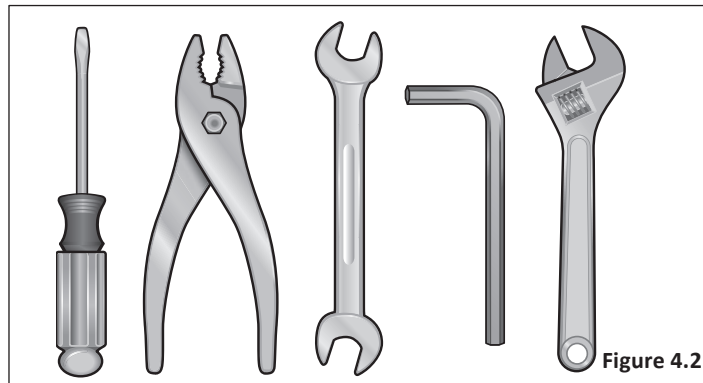
After your bicycle is assembled you will need to make adjustments. If you need replacement parts or have questions pertaining to the assembly of your bicycle, call the service line direct at: **1-800-626-2811**. Monday - Friday 8:00 am to 5:00 pm Central Standard Time (CST).

Note: You will need your model number and date code located on the service sticker near the bottom bracket area. **Figure 4.1**



TOOLS REQUIRED

- Phillips head screw driver
- 2.5 mm, 4 mm, 5 mm, 6 mm and 8 mm Allen wrench
- Adjustable wrench or a 9 mm, 10 mm, 14 mm and 15 mm open and box end wrenches
- A pair of pliers with cable cutting ability



ADJUSTING THE BRAKES

⚠️ WARNING!

Failure to properly set the brakes may result in the inability to stop the bicycle movement and cause serious injury or death. Be sure the brakes are functioning properly before using the bicycle.

Adjusting Linear Pull Brakes

Attaching the Brake Cable to the Brake Carrier

- 1 Squeeze the two brake arms together until the brake pads touch the wheel rim. **Figure 4.3**
- 2 With your other hand, pull on the brake cable and insert the end of the “noodle” into the brake carrier.

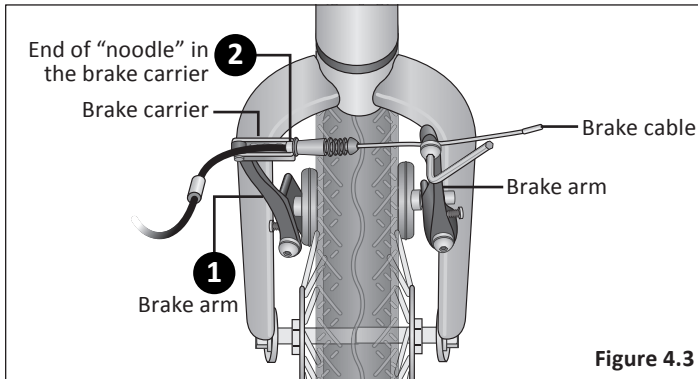


Figure 4.3

Adjusting the Brake Pads

- 3 Check the brake cable is seated in the brake lever. Using a 5 mm Allen wrench loosen the cable anchor bolt enough so the brake cable can move freely. **Figure 4.4**
- 4 Pull the brake cable through the cable anchor so the left brake arm moves towards the rim and there is approximately a 1/8" (3 mm) gap between the brake pad and rim.
- 5 Move the right brake arm towards the rim until there is approximately a 1/8" (3 mm) gap between the brake pad and rim.
- 6 Using the 5 mm Allen wrench, firmly tighten the cable anchor bolt completely.

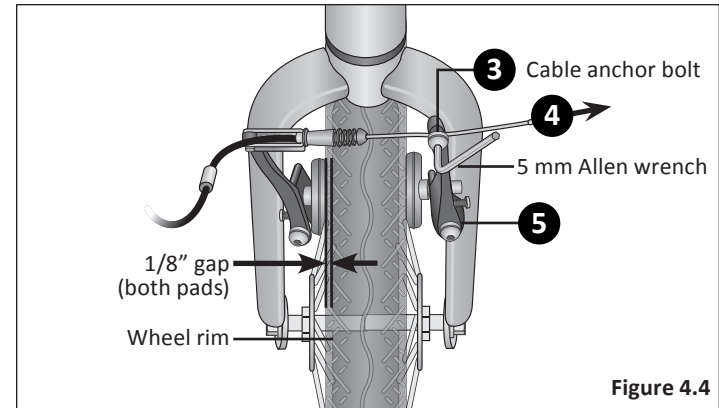


Figure 4.4

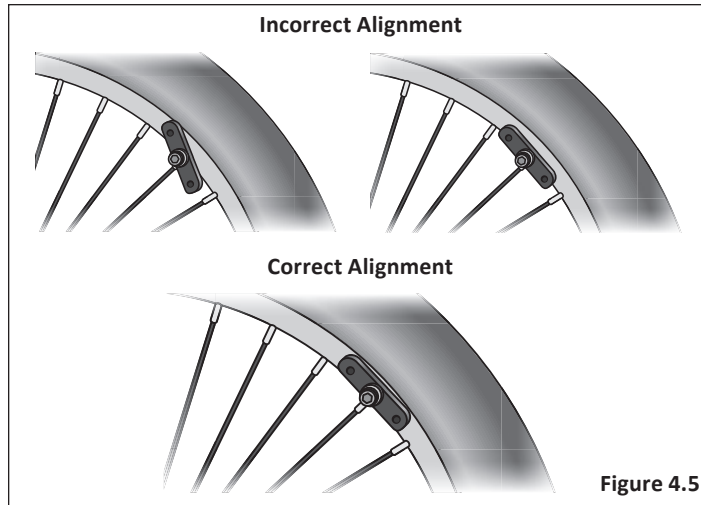
4 Adjustments

Important! Before riding the bicycle it is important to check the brakes. If you squeeze the brake lever and one brake arm moves more than the other (or not at all) the brake is not centered. You will need to fine-tune the brake pads. Multiple adjustments may be necessary to center the brake pads, correctly set the brake pressure and set the gap between the brake pad and rim.

Adjust the Brake Pad Alignment

Check that all brake pads are aligned correctly. If not, use a 5 mm Allen wrench and loosen the bolt enough so you can reposition the pad. Position the pad so it is evenly centered on the rim. Retighten the bolt after positioning the pad correctly.

Figure 4.5

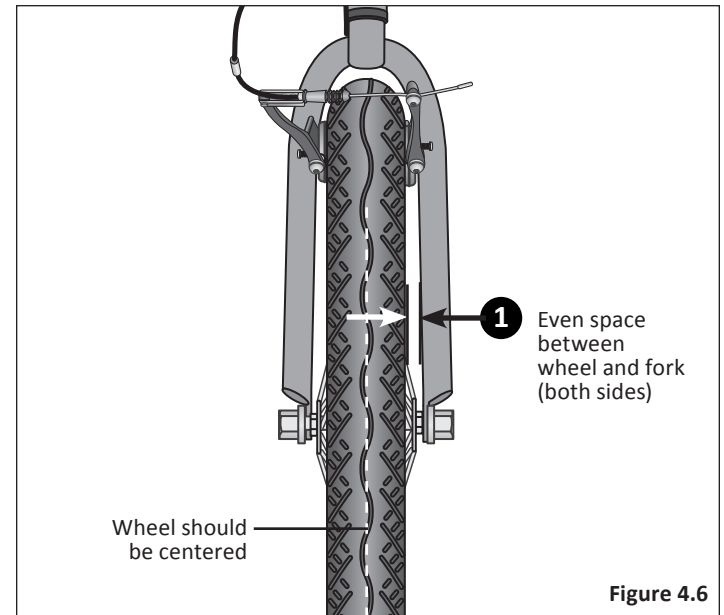


Center the Brake Pads

Rotate the wheel and look straight down at the gap between the rim, brake pads and fork. If you find the gap between these are uneven it indicates the wheel, the brake pads, or both are not centered.

- 1 If you see the gap between the fork and wheel is uneven loosen the axle nuts and adjust the wheel until centered.

Figure 4.6



- 2 If the gap between the brake pad and wheel is uneven, adjust the position of the brake pad.
 - Using a phillips head screwdriver, adjust the brake arm screws on either side of the brake arm. **Note:** Turning the screw *clockwise* moves the pad away from the rim. Turning the screw *counterclockwise* moves the pad towards the rim. **Figure 4.7**
 - Start with the side where the pad is closest to the rim or is not moving properly. Turn the screw to move the pad towards or away from the rim.
 - Adjustments to these screws should be made in small increments, one-quarter to one-half turn then checked by activating the brake lever three to four times after each adjustment. If you continue to adjust the screw until you have noticeable movement you will run out of adjustment.
- 3 Pull and release the brake lever a few times and check if the pads are centered.
- 4 If necessary, repeat steps one through three until the brake pads are centered and the gap between the pads and rim is close to 1/8 inch.

Note: If you run out of adjustment capability on one side, adjust the screw on the opposite side. If you run out of adjustment capability on both screws do a minor adjustment to the brake cable. Adjustments should be made to each side as equally as possible to prevent running out of adjustment capability.

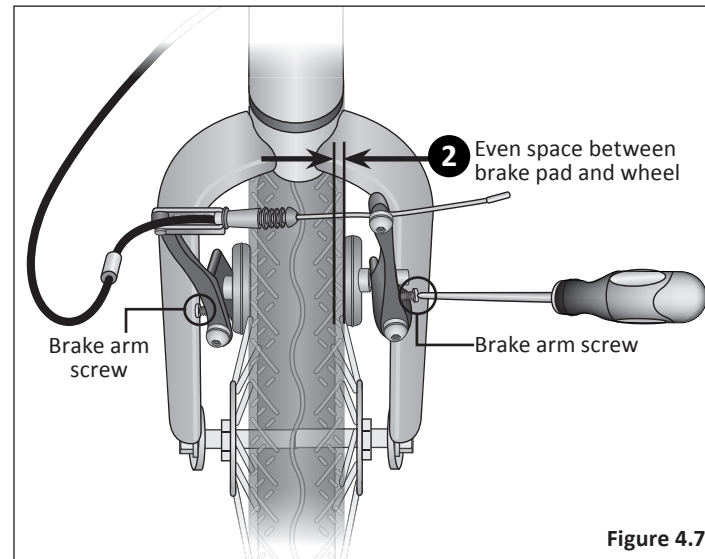


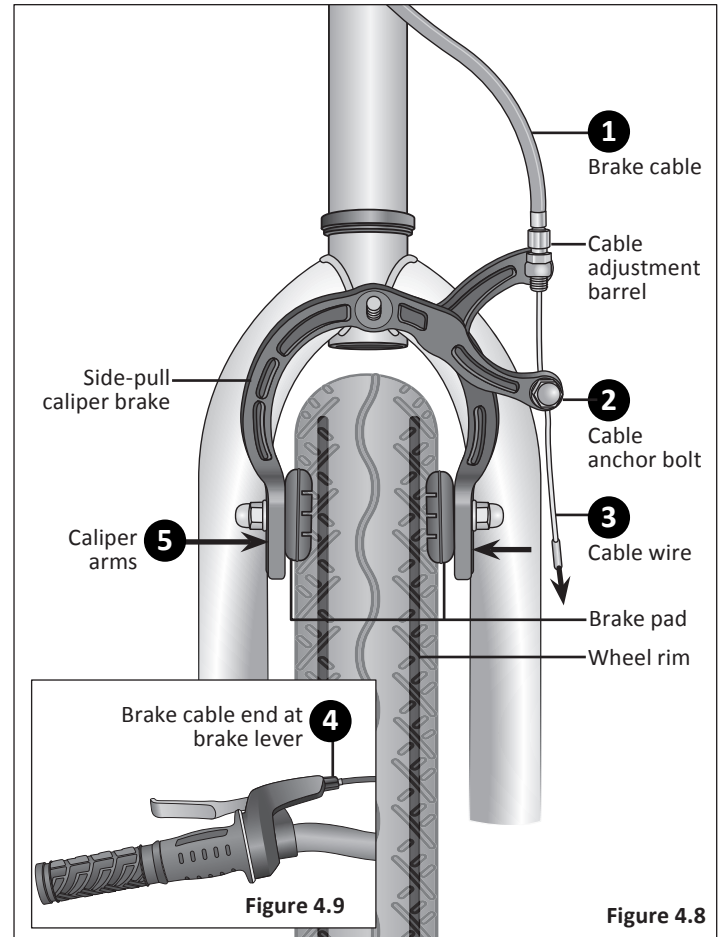
Figure 4.7

4 Adjustments

Adjusting the Side-pull Caliper Brake

Attaching the Brake Cable to the Brake Carrier

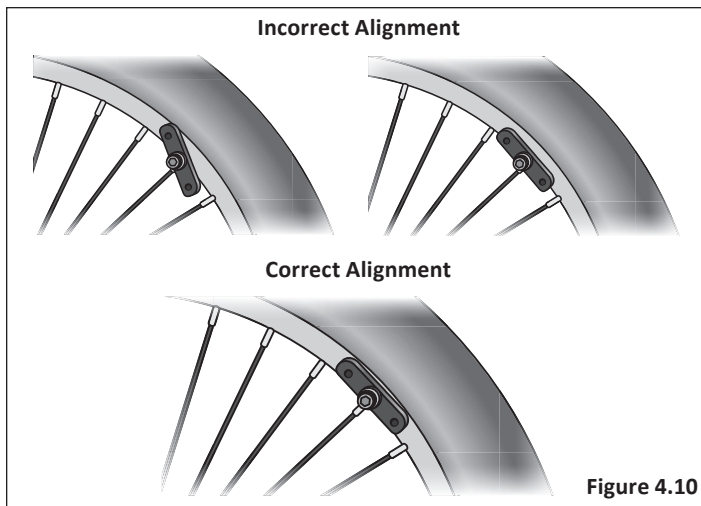
- 1 If the brake cable is disconnected at the caliper, thread the brake wire through the adjustment barrel. **Figure 4.8**
- 2 Loosen the cable anchor bolt until you can see a gap large enough for the cable wire.
- 3 Thread the cable wire through the gap. By hand, screw the cable anchor bolt snug enough to hold the cable wire.
- 4 Check the cable end is seated in the brake lever.
- 5 With one hand squeeze the caliper arms until both brake pads contact the rim. Loosen the cable anchor bolt just enough to allow the cable wire to move freely.
- 6 While holding the caliper closed, use your other hand to pull the brake cable tight (through the cable anchor bolt). Check that the cable end is seated in the brake lever and the barrel adjuster of the brake.
- 7 Tighten the cable anchor bolt as much as you can by hand and then while still squeezing the caliper arms until both brake pads contact the rim, tighten the cable anchor bolt fully with a 10 mm box wrench. **Note:** Use the adjustment barrel(s) to fine-tune the brake cable tension. Turning the barrel clockwise will loosen the brake cable tension, counter-clockwise will tighten the brake cable tension. **Figure 4.9**



Adjusting the Brake Pads

Important! Before riding the bicycle it is important to check the brakes. If you squeeze the brake lever and one brake arm moves more than the other (or not at all) the brake is not centered. You will need to fine-tune the brake pads. Multiple adjustments may be necessary to center the brake pads, correctly set the brake pressure and set the gap between the brake pad and rim.

- 1 Check that all brake pads are aligned correctly. If not, use a 5 mm Allen wrench and loosen the bolt enough so you can reposition the pad. Position the pad so it is evenly centered on the rim. Retighten the bolt after positioning the pad correctly. **Figure 4.10**

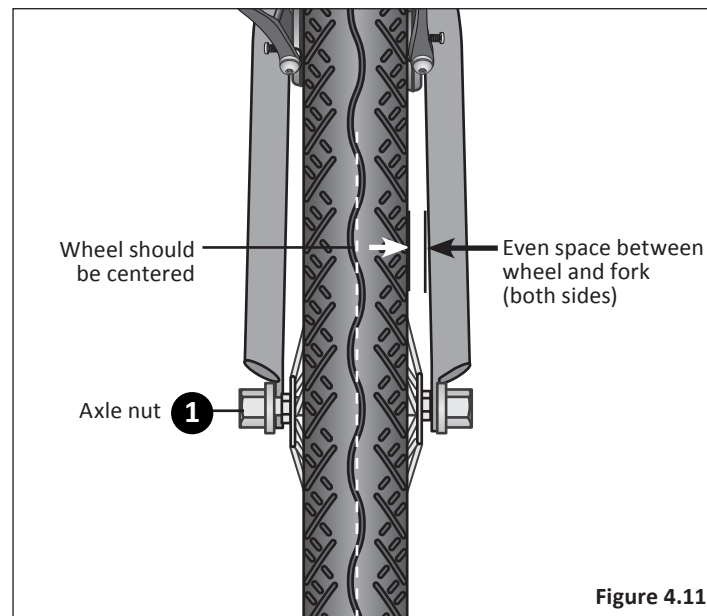


Center the Brake Pads

Rotate the wheel and look straight down at the gap between the rim, brake pads and fork. If you find the gap between these are uneven it indicates the wheel, the brake pads, or both are not centered.

- 1 If you see the gap between the fork and wheel is uneven loosen the axle nuts and adjust the wheel until centered.

Figure 4.11

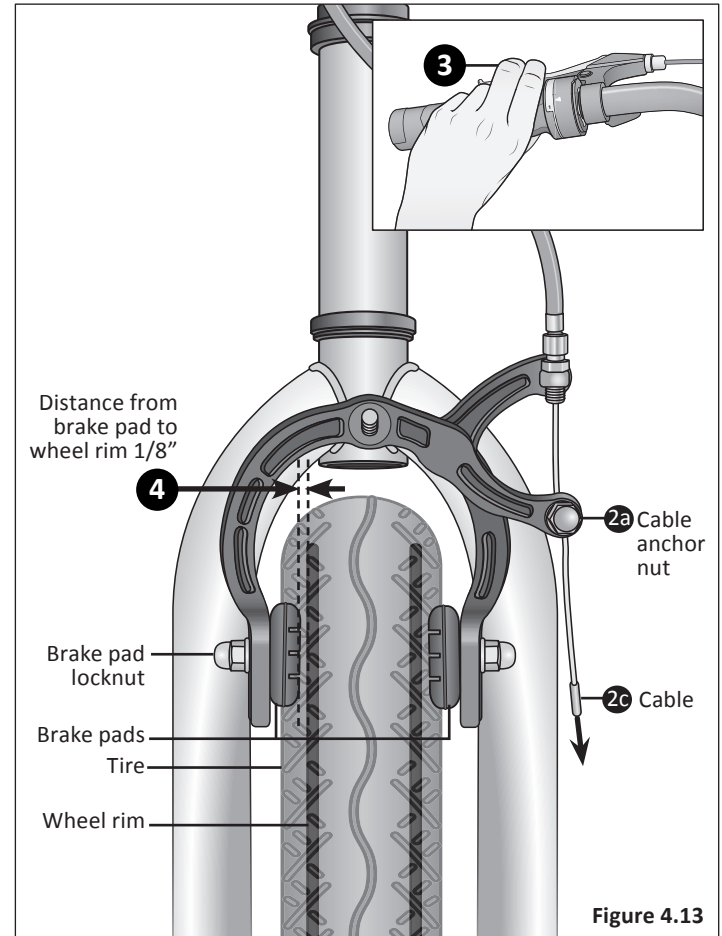
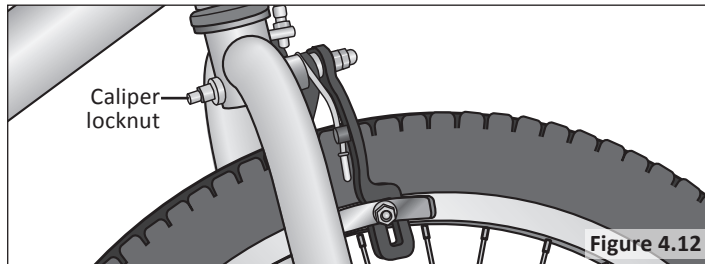


4 Adjustments

- 2 If the gap between the brake pad and wheel is uneven, adjust the cable tension. **Figure 4.13**
 - 2a Loosen the cable anchor nut.
 - 2b Using one hand, squeeze the brake pads against the rim.
 - 2c Pull the slack out of the cable.
 - 2d While holding tension on the cable, tighten the cable anchor nut.

Note: Watch the brake if it begins to shift or rotate, then release the brake lever and use your hand to rotate the brake caliper back until both sides of the brake move equally. Sometimes it is necessary to over-rotate the brake slightly, so that as you tighten the caliper locknut, the brake will end up centered. **Figure 4.12**

- 3 Pull and release the brake lever a few times and check if the pads are centered.
- 4 If necessary, repeat steps one through three until the brake pads are centered and the gap between the pads and rim is close to 1/8 inch.



Check the Brakes

- 1 After adjusting the brake, squeeze the brake lever as hard as you can several times and re-inspect the brake pads, centering and brake lever travel. If the brake pads are no longer square to the rim, repeat brake pad adjustments. **Figure 4.14**
- 2 Be sure that brake pads return to a centered position by spinning the wheel and listening for the brake pad rubbing the rim on either side. Re-adjust as needed.
- 3 Check that the brake cable tension allows the brake lever about 1/3 of the travel before the brake pads contact the rim. If the cable has stretched or slipped, re-adjust the brake cable tension by loosening cable anchor bolt and pulling more cable through the anchor or use brake adjustment barrels for fine tuning brake cable tension.

Brake is correctly adjusted when:

- The brake pads do not drag on the rim when the brake is open. **Figure 4.15**
- Both brake pads move away from the rim equally when the brake is released.
- When the brake is applied, the brake pads contact the rim before the brake lever reaches about 1/3 of the way to the handlebar.

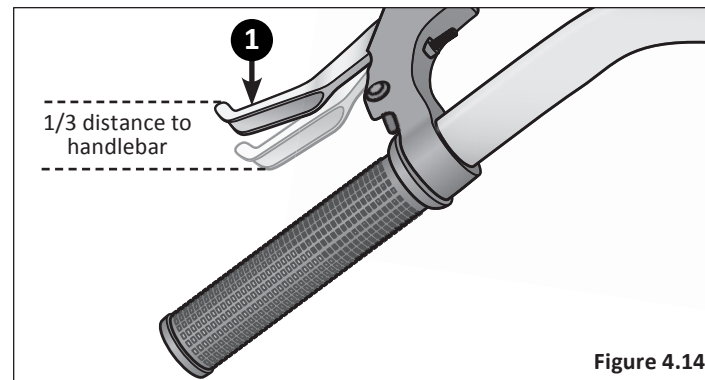


Figure 4.14

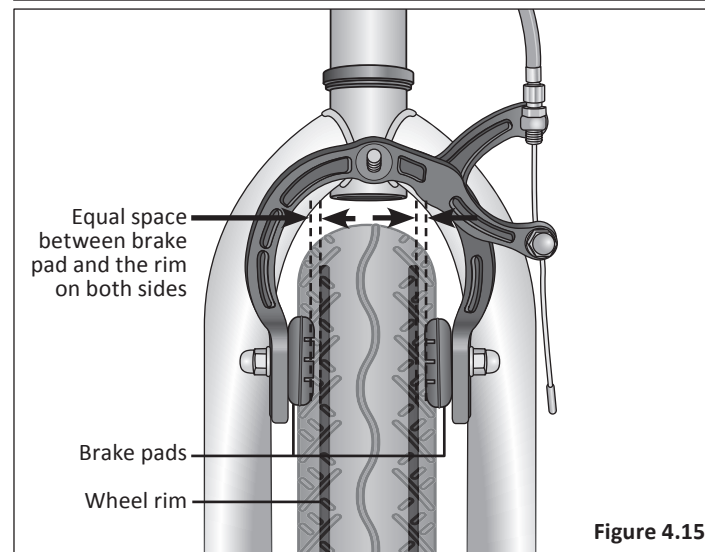


Figure 4.15

ADJUSTING THE REAR DERAILLEUR

⚠ WARNING!

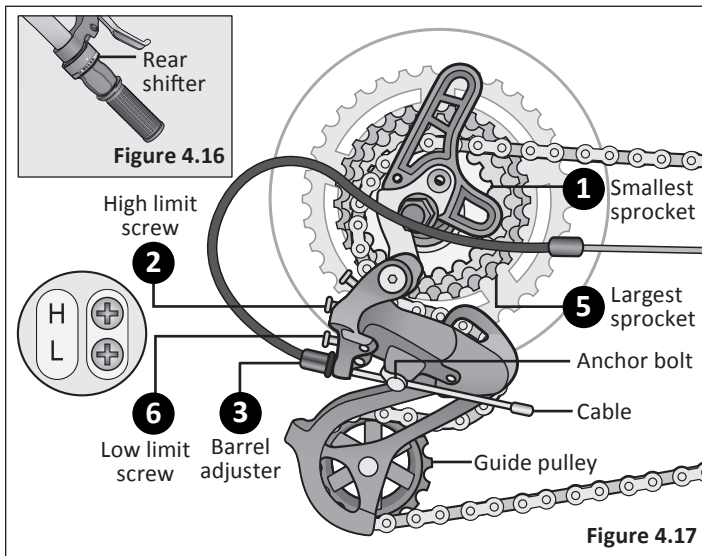
Ensure all bolts are secured tightly and the chain does not fall off in either direction.

Although the rear derailleur is initially adjusted at the factory, you will need to inspect and re-adjust it before riding the bicycle.

Adjust the Rear Derailleur

- 1 Begin by shifting the rear shifter to largest number indicated and place the chain on the smallest sprocket. **Figure 4.16**
- 2 Adjust the high limit screw so the guide pulley and the smallest sprocket are lined up vertically. Turn the high limit screw clockwise to move the pulley away from the frame; counter-clockwise to move the pulley towards the frame **Figure 4.17**
- 3 Shift through the gears, making sure each gear achieved is done quietly and without hesitation. If necessary, use the barrel adjuster to fine-tune each gear by turning it the direction you want the chain to go. For example, turning clockwise will loosen the cable tension and move the chain away from the wheel, while turning counter-clockwise will tighten cable tension and direct the chain towards the wheel.

- 4 Shift the rear shifter to gear one and place the chain on the largest cog.
- 5 Adjust the low limit screw in quarter turn increments until the guide pulley and the largest cog are aligned vertically. Turn the low limit screw clockwise to move the pulley closer to the frame; counter-clockwise to move the pulley away from the frame.
- 6 Again, shift through each gear several times, checking that each gear is achieved smoothly. It may take several attempts before the rear derailleur and cable is adjusted properly.



ADJUSTING THE SEAT HEIGHT

⚠ WARNING!

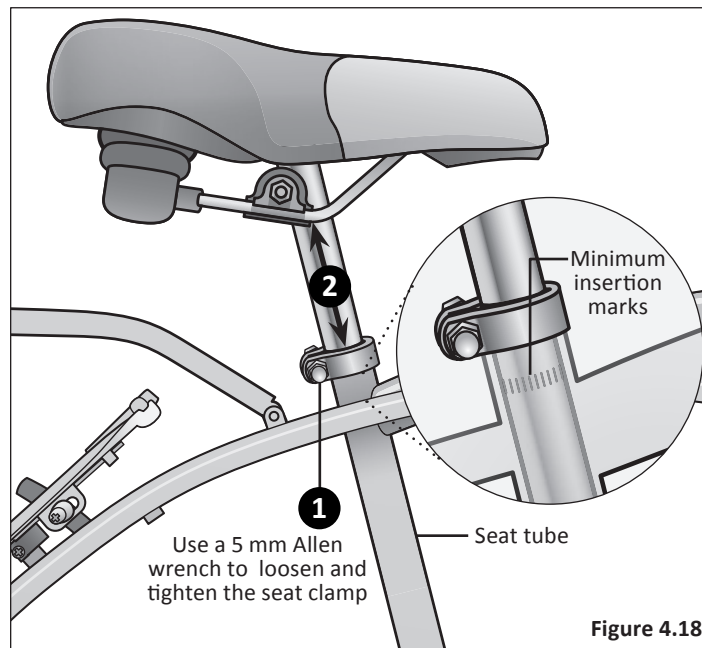
Improperly adjusted seat height could affect the rider's ability to reach the handlebar and pedals may result in an unexpected movement, loss of control and serious injury or death. Follow these guidelines when adjusting the seat height. Always ensure the seat post **minimum insertion marks** are below the seat clamp and **cannot** be seen. Ensure the seat clamp is locked and the seat cannot move.

Bolted Seat Clamp

- 1 Using a 5 mm Allen wrench, loosen the seat clamp bolt. **Figure 4.18**
- 2 Adjust the seat height up or down until the rider feels they have control of the bicycle and are comfortable.

Important! Be sure the **minimum insertion marks** do not go past the top of the seat clamp and are **not** visible. See **Section 1, Fig. 1.2: Seat Height and Handlebar Reach.**

- 3 Tighten the seat clamp bolt to lock the seat in place.
- 4 Check the seat to be sure it does not move.



4 Adjustments

Quick-release Seat Clamp

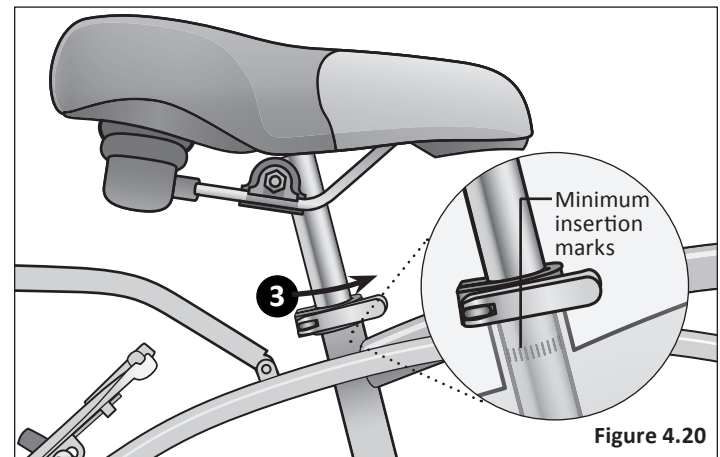
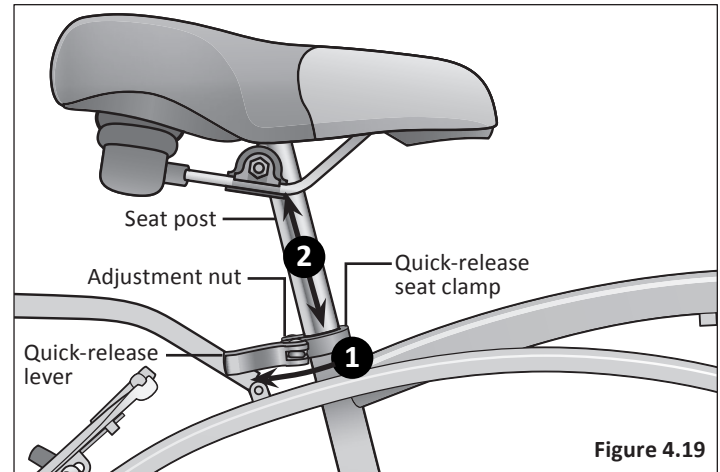
- 1 Unlock the quick-release lever. **Figure 4.19**
- 2 Adjust the seat height up or down until the rider feels they have control of the bicycle and are comfortable.

Important! Be sure the *minimum insertion marks* do not go past the top of the seat clamp and are *not* visible. See **Section 1, Fig. 1.2: Seat Height and Handlebar Reach.**

- 3 Close the quick-release lever and lock the seat in place. If there is not enough pressure to hold the seat in place open the quick-release lever. With one hand on the quick-release lever and one hand on the adjustment nut, start to hand tighten the adjustment nut until you start to feel some resistance against the fork. **Do not** attempt to tighten by turning the quick-release lever. The quick-release lever is for closing, the adjustment nut is for adjusting the pressure. **Figure 4.20**

- 4 Try to close the quick-release lever. If it closes easily, open it up and tighten the adjustment nut further. If it is too difficult to close, open the quick-release lever, loosen the adjustment nut a little and try again.

Important! You should feel resistance when you close the quick-release lever that should leave a temporary impression on your fingers. Open and close the handle to ensure the seat is securely locked in place.



ADJUSTING THE HANDLEBAR

⚠ WARNING!

- Improper adjustment of the handlebar may result in damage to the stem post, steerer tube and result in loss of control, serious injury or death. Ensure the **minimum insertion marks** on the stem post are **not** visible above the top of the headset.
- Failure to properly tighten handlebar components may result in loss of control, serious injury or death. Always check the handlebar cannot move and is secured to the frame before riding the bicycle.

Adjusting the Handlebar Height

Refer to **Section 3: Attach the Handlebar** for instructions on adjusting the handlebar height.

Align the Handlebar

- 1 Stand in front of the handlebar and hold the front wheel between your legs.
- 2 Using a 6 mm Allen wrench, loosen the stem binder bolt and move the handlebar left or right until it is aligned with the front wheel. **Figure 4.21**
- 3 Tighten the stem binder bolt and check the handlebar is securely attached and cannot move.

Adjust the Handlebar Angle

- 4 Using a 6 mm Allen wrench loosen the handlebar binder bolt(s).
- 5 Rotate the handlebar into the desired position. **Figure 4.21**
- 6 Check that the handlebar is centered to the frame and front wheel. Sit on the seat and check your reach to grips, shifters and brakes. Refer to **Section 1, Fig. 1.2: Seat Height and Handlebar Reach** for guidelines.
- 7 Tighten the handlebar binder bolt(s) and check the handlebar is securely attached and cannot move.

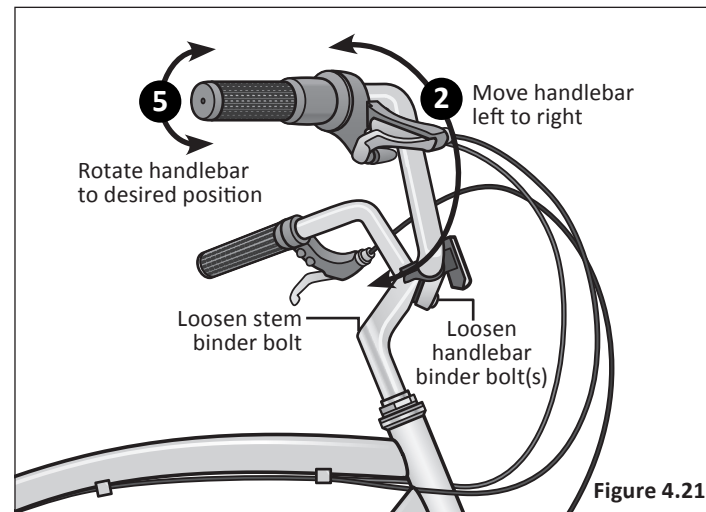


Figure 4.21

4 Adjustments

ADJUSTING THE HEADSET

The headset is an assembly of parts that connects the front fork and the head tube of the frame. It is the rotational interface that enables the fork to turn.

Adjusting the Headset

A typical threaded headset consists of two cups that are pressed into the top and bottom of the head tube. Inside the two cups are bearings which provide a low friction contact between the bearing cup and the steerer. The short tube through which the steerer of the fork passes is called the head tube.

Adjustment of the headset is needed if the headset is too loose (shakiness), too tight (stiffness). **Note:** It is possible that the bearings have become worn or damaged and cause stiffness. Replacement of the parts may be necessary.

Conduct the following checks to determine if there is play in the headset:

- 1 Shakiness:** Apply the front brake and push the handlebars back and forth, front to back or if the bicycle is on a workstand and the front wheel removed, push and pull on the forks. If you feel a knocking sensation or "clunk" it means the headset is too loose. **Important!** Use care with suspension forks, because the legs may have play in sliders. Grab upper portion of fork. **Figure 4.22**

- 2 Stiffness:** Lift the front of the frame so the front wheel is off the ground. The handlebar and wheel should flop to one side or another. If there is drag or binding the headset is too tight.

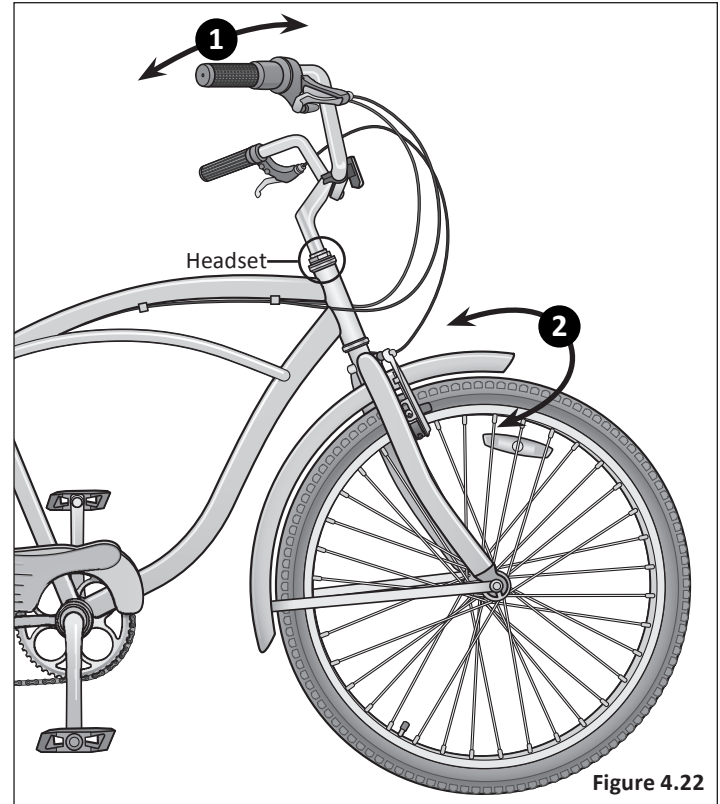
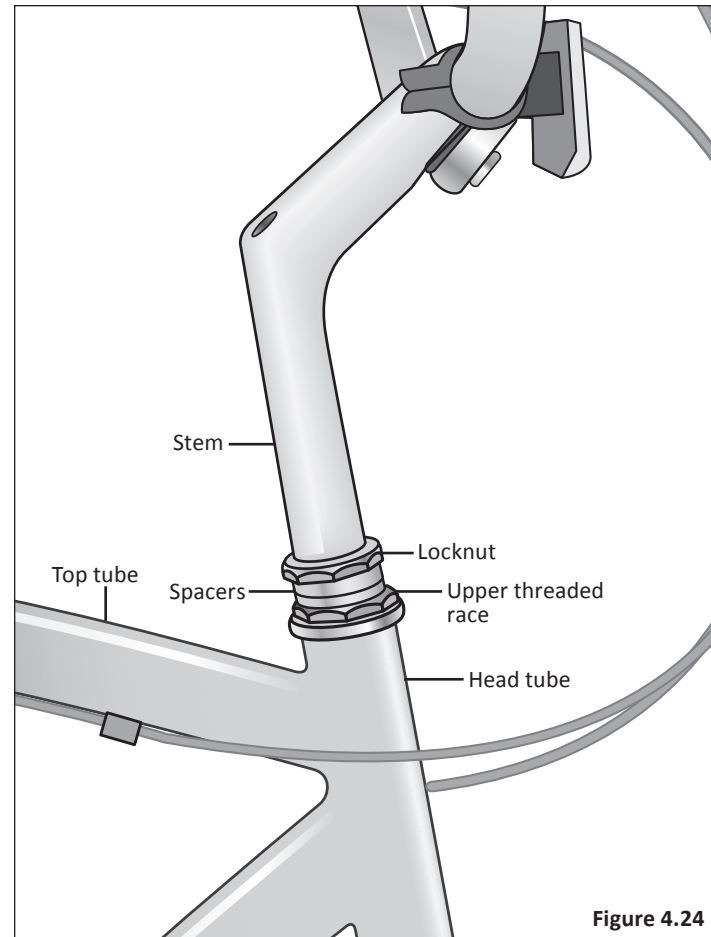
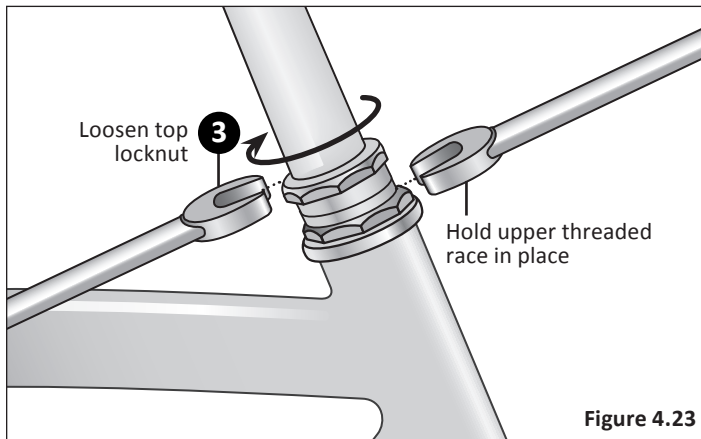


Figure 4.22

- 3 With the front wheel resting on the ground, use an adjustable, or headset wrench and hold the upper threaded race in place. **Figure 4.23**
- 4 Loosen the locknut clockwise about 1/32nd of a turn. **Note:** The front wheel must be straight to gauge adjustment.
- 5 By hand, screw the upper threaded race down until bearings begin to bind. Then back the race off about 1/8 turn.
- 6 Tighten the locknut and test that there is no shakiness or stiffness (ie. play) in the headset. Repeat steps 3 - 6 until there is no play in the headset.

If the play in the headset cannot be rectified with these adjustments see a **qualified bicycle mechanic for these repairs.**



4 Adjustments

ADJUST THE BOTTOM BRACKET

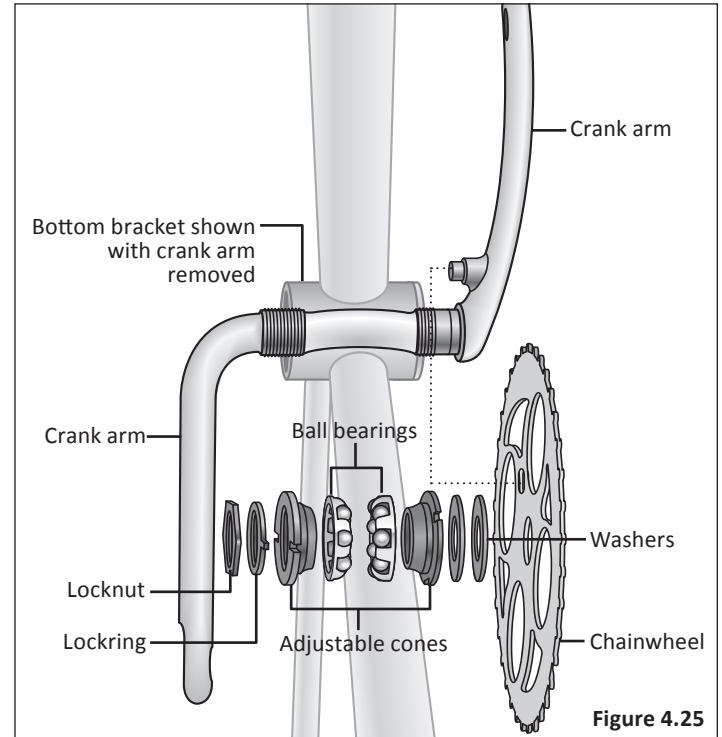
Typically the bottom bracket contains four major pieces: locking, adjustable cone, bearings, and washers. The locking has notches. The adjustable cone will have notches for a spanner wrench or bottom bracket tool. The cones can be removed and replaced separately. A set of round ball bearings are found in each adjustable cone. A typical ball bearing is 5/16" in diameter and contains nine balls. This type of bottom bracket may be cleaned, greased and adjusted.

Bearing Adjustment

The basic concept for bearing adjustments is to get the bearings adjusted as loose as possible but without play. Start by purposely beginning with play in the adjustment and then tightening in small increments until play is gone. **Note:** Extended use may cause the bearings, cups (or cones) to become worn and pitted. In this case, bearing adjustment will not be possible. If bottom bracket is correctly adjusted, but grinds when spun, cups and/or cones are worn and should be replaced. **Figure 4.25**

- 1 Loosen the locknut. Turn adjusting cone counter-clockwise until it hits the ball bearing, then turn back clockwise to loosen 1/4 turn.
- 2 Secure the locknut.
- 3 Grab the end of the crank arms and rock it sideways to check for play. If play is present, loosen locknut and turn adjusting cone counter-clockwise slightly to tighten. Re-secure locknut and check again.

- 4 Repeat process of checking for play and re-tightening cone a slight amount until no play is felt. **Note:** The one-piece crank systems do not use a polished bearing system. There will be some roughness to a correctly adjusted bottom bracket. Adjust as loose as possible but without play in the crank assembly.



5 Use

⚠ WARNING!

Failure to follow all local and state regulations and laws pertaining to bicycle use as well as the safety warnings in this manual may result in serious injury or death. Always follow all local and state regulations and laws pertaining to bicycle use, follow the safety warnings in this manual and use common sense when riding the bicycle. Always conduct a pre-ride check of the bicycle condition before riding.

BRAKE OPERATION

There are two types of braking systems for bicycles; **foot operated** and **hand operated**.

Foot Operated Brakes

Foot operated brakes allow the rider to pedal forward to accelerate the bicycle, and pedal backwards to brake. The harder you push back on the pedals, the more braking force is applied to the rear wheel. **Figure 5.1**

In most cases a foot operated brake is strong enough to **lock up** (stop the wheel from turning) the rear wheel and cause the tire to skid. While this will decelerate the bicycle quickly, it will also cause unnecessary wear on the tire, and terrain, and can cause a loss of steering control.

It is recommended to practice braking so that you have control over how quickly the bicycle comes to a stop. It is also important

to know the environment that you are riding on. For example, a dry paved road is very predictable when stopping. But if you add rain, gravel, snow or anything else, the rider needs to be extra careful, and allow extra stopping distance, and slow down before turning. The rider should also be careful as terrain changes to keep the bicycle at a controllable speed.

Some models may have a combination of foot and hand operated brakes. It is OK to operate them at the same time or independently. However, if the bicycle is equipped with a front wheel hand brake, be careful to use front and rear brake simultaneously, and avoid locking up the front wheel, as this can cause a loss of steering control, and cause a crash. See hand operated brakes on the next page for more detail.

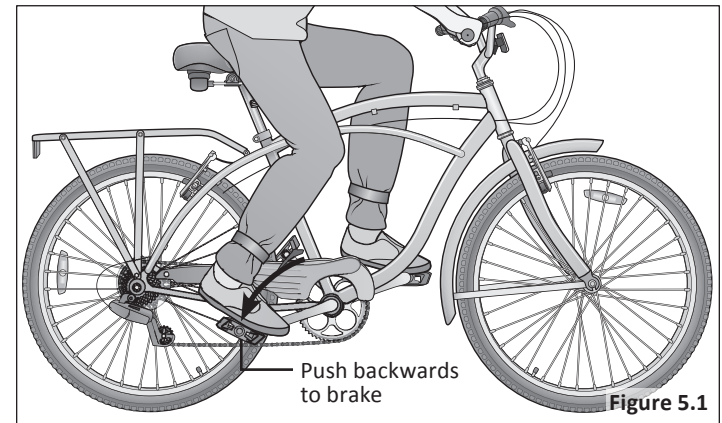


Figure 5.1

Hand Operated Brakes

⚠ WARNING!

If the front brake is applied too quickly or too hard, the front wheel can stop turning resulting in a front pitch over or cause the bicycle to lose steering function leading to a crash.

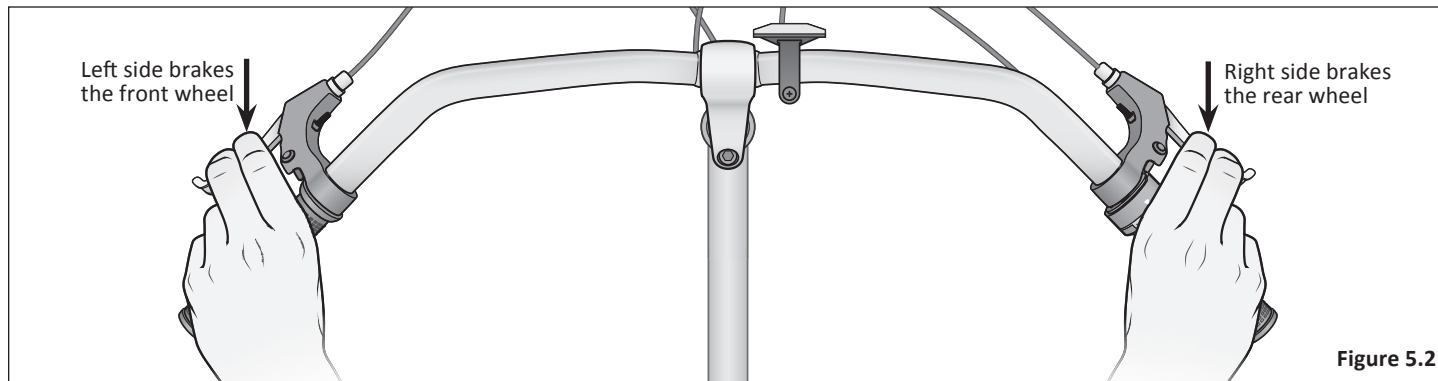
Hand operated brakes have a separate hand lever to operate front and rear brakes. Front hand brake levers are located on the left side of the handlebar, and rear hand brake levers are located on the right side of the handlebar. **Figure 5.2**

Hand operated brakes may be used alone or on some models in conjunction with foot operated brakes. It is OK to operate one brake at a time, or all together, depending on your style, comfort, and riding conditions. However, be careful to pay close attention to front brakes locking up.

To best avoid this:

- Apply the front and rear brakes simultaneously, while shifting your body weight back slightly to compensate for braking force.
- As terrain changes, the rider must practice and learn how the bicycle will respond in a new terrain or weather change. The same bicycle will react differently if it is wet, or if there is gravel on the road etc.
- Always test the brakes and be sure you feel comfortable with the reaction. If the riding conditions are too steep (off road for example) and you are unsure, dismount the bicycle and walk past the questionable terrain before riding again.
- Remember that as you apply the brakes your weight will want to shift forward, and the wheels will want to stop.

Note: See **Section 4: Adjusting the Brakes** for information on brake adjustment.



GEAR OPERATION

WARNING!

Improper shifting can result in the chain jamming, or becoming derailed resulting in loss of control, serious injury or death. Always be sure the chain is fully engaged in the desired gear before pedaling hard. Avoid shifting while standing up on the pedals or under load.

Multi speed bicycles can have *internal* or *derailleur* gear systems.

Important! Best practices for proper shifting:

- Pedal the bicycle with little pressure on the pedals, and move the shifter one gear at a time, ensuring that the chain is fully engaged in that gear before applying more pressure on the pedals.
 - It is OK to ride the whole time in only one gear if this is comfortable.
 - Shift only while pedaling forward and seated. When shifting, lessen the pressure exerted on the pedals during the shift.
- Once you have successfully shifted gears, it is OK to start to pedal hard if desired.
 - Pedaling hard while shifting can cause the chain to skip and not engage the appropriate gear.
 - Backpedaling should be avoided on derailleur bikes because the chain can jam and cause the bike to become unstable. See **Assembly** and **Maintenance** for further information on proper gear adjustment.

Using the Rear Shifter

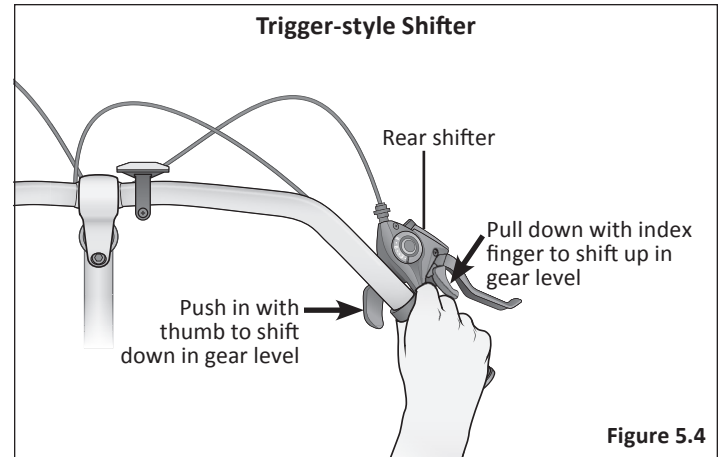
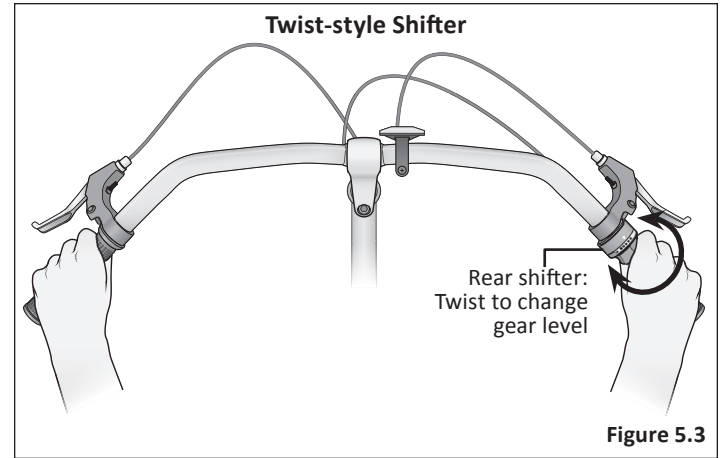
The rear shifter (right) will have an indicator that reads either **low to high** or a series of numbers from 1 and up. Low or “1” is the lowest gear. This is used for slower riding, hill climbing, or to allow for easier pedaling. It is recommended to start off in this gear and move through the gears as speed increases as needed, or comfortable.

To Use the Twist-style Shifter

Turn the area of the handlebar grip closest to the gear numbers to the desired gear level. **Figure 5.3**

To Use the Trigger-style Shifter

Use your index finger to pull the top shift lever up in gear level. Use your thumb to push the lower shift lever down in gear level. **Figure 5.4**



SECURITY

You just bought a new bicycle! Don't lose it. It is advisable that the following steps be taken to prepare for and help prevent possible theft:

- Maintain a record of the bicycle's serial number, generally located on the frame underneath the bottom bracket.

Figure 5.5

- Register the bicycle with the local police and/or bicycle registry.
- Invest in a high quality bicycle lock that will resist hacksaws and bolt cutters.
- Always lock your bicycle to an immovable object if it is left unattended. Keep in mind that individual parts of a bicycle may be stolen. Most commonly, if you lock just a wheel or just the frame, other parts may be removed from the bicycle. Although it is impossible to lock all the parts, it is suggested to lock the major components if possible. **Figure 5.6**
- Use a lock that is long enough to lock the frame and both wheels if possible. Some models with quick-release front wheels allow the front wheel to be placed beside the frame so a smaller lock can be used to lock all 3 components.
- Be aware that a quick-release seat post can be stolen. It is recommended to remove the seat post and saddle and carry it with you if you believe that this is a risk.

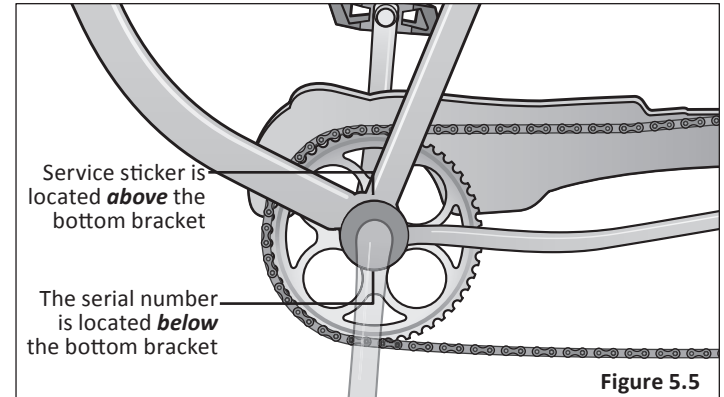


Figure 5.5

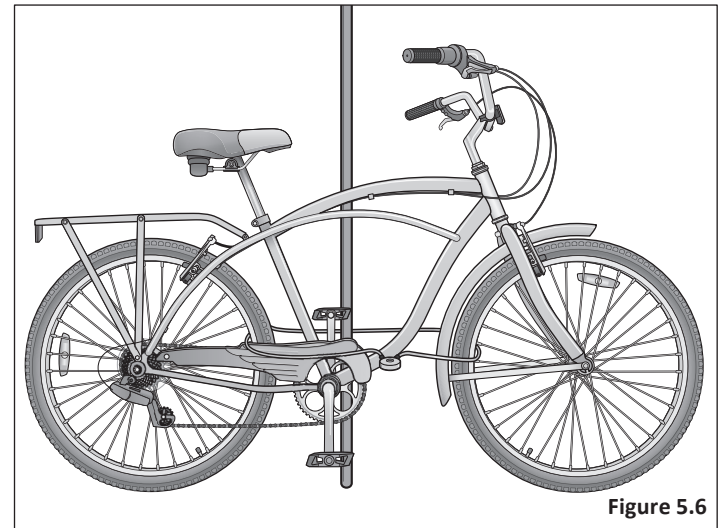


Figure 5.6

6 Maintenance

WARNING!

- Failure to conduct maintenance on the bicycle may result in malfunction of a critical part and serious injury or death. Proper maintenance is critical to the performance and safe operation of the bicycle.
- The recommended intervals and need for lubrication and maintenance may vary depending on conditions the bicycle is exposed to. Always inspect the bicycle and conduct necessary maintenance before each use of the bicycle.

This section presents important information on maintenance and will assist you in determining the proper course of action to take if you do have a problem with the operation of the bicycle. If you have questions regarding maintenance please call our customer service, toll free, at **1-800-626-2811** or see a qualified bicycle mechanic. **Do not** call the store where the bicycle was purchased.

Correct routine maintenance of your new bike will ensure:

- Smooth running
- Longer lasting components
- Safer riding
- Lower running costs

BASIC MAINTENANCE

The following procedures will help you maintain your bicycle for years of enjoyable riding.

- For painted frames, dust the surface and remove any loose dirt with a dry cloth. To clean, wipe with a damp cloth soaked in a mild detergent mixture. Dry with a cloth and polish with car or furniture wax. Use soap and water to clean plastic parts and rubber tires. Chrome plated bikes should be wiped over with a rust preventative fluid.
- Store your bicycle under shelter. Avoid leaving it in the rain or exposed to corrosive materials.
- Riding on the beach or in coastal areas exposes your bicycle to salt which is very corrosive. Wash your bicycle frequently and wipe or spray all unpainted parts with an anti-rust treatment. Make sure wheel rims are dry so braking performance is not affected. After rain, dry your bicycle and apply anti-rust treatment. If the hub and bottom bracket bearings of your bicycle have been submerged in water, they should be taken out and re-greased. This will prevent accelerated bearing deterioration.
- If paint has become scratched or chipped to the metal, use touch up paint to prevent rust. Clear nail polish can also be used as a preventative measure.
- Regularly clean and lubricate all moving parts, tighten components and make adjustments as required.

LUBRICATION SCHEDULE

Component	Lubricant	Method
Weekly		
Chains	Chain lube or light oil	Brush on or squirt
Brake calipers	Oil	Three drops from oil can
Brake levers	Oil	Two drops from oil can
Freewheel	Oil	Two drops from oil can
Derailleur Systems	Light oil or grease	All pivot points should be lubricated (more often in severely rainy or muddy conditions). Wipe off any excess oil.
Brake cables	Lithium based grease	Remove cable from casing. Grease entire length. Wipe off excess lubrication from other surfaces.
Brake lever and caliper pivot points	Light oil	Two to three drops from oil can
Shifting cables	Thin layer of grease	Clean and grease
Yearly		
Bottom bracket	Lithium based grease	Disassemble
Pedals	Lithium based grease	Disassemble
Wheel bearings	Lithium based grease	Disassemble
Headset	Lithium based grease	Disassemble
Seat stem	Lithium based grease	Disassemble
Pedals: that can be disassembled		See bicycle mechanic for maintenance.

Note: The frequency of maintenance should increase with use in wet or dusty conditions. Do not over lubricate. Remove excess lubricant to prevent dirt build up. **Never** use a degreaser to lubricate your chains (WD-40®).

PARTS MAINTENANCE

Tires

Frequency: Inspect and maintain at least each use.

Inspect	Action	Maintenance
Tire Inflation	Check tire pressure.	Inflate tire to the pressure indicated on the tire sidewall.
	Check the bead is properly seated while inflating or refitting the tire.	Reduce air pressure in the tube and re-seat the bead.
	Spin wheel and check rotation / alignment is smooth and even.	Loosen axle nut(s) and adjust until properly seated. If the hub bearings need repair see a bicycle mechanic for repair.
Bead Seating	Check for broken or loose spokes.	See bicycle mechanic for repair.
Tread	Inspect for signs of excessive wear, flat spots or cuts and damage.	Replace tire.
Valves	Check that valve caps are fitted and free of dirt.	Clean dirt from the valve.

Wheels

Frequency: Inspect and maintain at least each use.

Inspect	Action	Maintenance
Rims	Inspect for dirt and grease.	Use a clean rag or wash with soapy water, rinse, and air dry.
Wheels	Check the wheels are securely fastened to the bicycle and axle nuts are tight.	Adjust if necessary and tighten axle nuts.
	Spin wheel and check rotation / alignment is true.	See bicycle mechanic for repair.
Spokes	Check for broken or loose spokes.	See bicycle mechanic for repair.
Hub Bearings	Lift each wheel and see if there is movement side to side.	See bicycle mechanic for repair.

Drivetrain (pedals, chains, chainwheel, crank set, freewheel)*Frequency:* as noted

Inspect	Action	Maintenance
Pedals	Every month, check each pedal is securely set and tighten into the crank arm.	If necessary, re-set and tighten.
	Before each ride, check each front and rear pedal reflectors are clean and in place.	Clean or replace.
Pedal Bearings	Every ride, check the pedal bearings are properly adjusted. Move the pedal up and down, left and right. If looseness or roughness is detected adjustment, lubrication or replacement is required.	See bicycle mechanic for repair.
Chains	Every week, check the chain is clean, properly lubricated, rust-free, and is not stretched, broken, or has stiff links.	Lubricate if necessary. Replace if rusted, stretched, or broken.
Crank Set	Every month, check the crank set (crank arms, chain rings, and bottom bracket axle and bearings) is correctly adjusted and tight.	See bicycle mechanic for repair.

Brakes**Frequency:** Inspect and maintain before each use

Inspect	Action	Maintenance
Levers	Check the levers are securely fastened to the handlebar.	Position the levers to fit the rider's grip and screw tight to handlebar.
Pads	Check pad position, gap and pressure.	See Section 4: Adjusting the Brakes
Cables	Check the outer casing for kinks, stretched coils and damage. Check cables for kinks, rust, broken strands or frayed ends. Check the outer casing for kinks, stretched coils and damage.	Replace cable.
	Check the housing is seated properly into each cable stop of the bicycle.	It is recommended that the cables and housing be replaced every riding season.

HUB BEARINGS

Hub bearings require special thin wrenches called **cone wrenches**. If you do not own these tools, do not attempt hub bearing adjustments. Have a qualified bicycle mechanic perform the adjustment if you have any doubts.

- ❶ Check to make sure neither locknut is loose.
- ❷ To adjust, remove wheel from bicycle and loosen the locknut on one side of the hub while holding the bearing cone on the same side with a cone wrench.
- ❸ Rotate the adjusting cone as needed to eliminate free play.
- ❹ Re-tighten the locknut while holding the adjusting cone in position.
- ❺ Re-check that the wheel can turn freely without excessive side play.

INFLATING THE TIRE TUBE

WARNING!

- An unseated tire can rupture unexpectedly and cause serious injury or death. Be sure the tire is properly seated when inflating the tube.
- Over inflation or inflating the tube too quickly may result in the tire blowing off the rim and damaging the bicycle or causing injury to the rider. Always use a hand pump to inflate the tube. **Do not** use a gas station service pump to inflate the tube.

Follow these steps to inflate a tire:

- ❶ Remove the valve cap and add air.
- ❷ Be sure the tire is evenly seated on the rim, both sides.
- ❸ Spin the wheel and check for high and low areas.
- ❹ Complete inflation to the recommended psi found on the sidewall of the tire.
- ❺ Be sure the tire is evenly seated on the rim, both sides. If not, release some air and repeat steps three through six.
- ❻ Check for dirt in the valve cap or stem. Clean dirt from cap or stem.
- ❼ Securely replace the valve cap on the stem.

REPAIRING A FLAT TIRE

WARNING!

An unseated tire can rupture unexpectedly and cause serious injury or death. Be sure the tire is properly seated when inflating the tube.

Follow these steps to fix a flat tire:

- 1 Match tube size and tire size (see tire sidewall for size).
- 2 Remove the wheel from the bicycle. Deflate the tire tube completely.
- 3 Squeeze the tire beads into the center of the rim.
- 4 Opposite the valve, use a bicycle tire lever to pry the tire bead up and out of the rim. Repeat around the wheel until one bead is off the rim.
- 5 Remove tube. Release second tire bead.
- 6 Remove tire.
- 7 Carefully inspect inside of the rim and tire for the cause of the flat.
- 8 Inflate the tube $\frac{1}{4}$ full and place inside tire.
- 9 Insert the valve stem through valve stem hole in rim.
- 10 Start at the valve stem and install the first bead onto the rim. Repeat for the second bead.
- 11 Slowly inflate the tire tube, checking the tire is seated properly and not pinched as the tire tube is inflated.
- 12 Inflate to recommended pressure (see tire sidewall).

TROUBLESHOOTING GUIDE

Problem	Possible Cause	Remedy
Gear shifts not working properly	<ul style="list-style-type: none"> • Derailleur cables sticking/stretched/ damaged • Rear derailleur not adjusted properly • Indexed shifting not adjusted properly 	<ul style="list-style-type: none"> • Lubricate/tighten/replace cables • Adjust derailleurs • Adjust indexing
Slipping chain	<ul style="list-style-type: none"> • Excessively worn/chipped chain wheel or freewheel sprocket teeth • Chain worn/stretched • Stiff link in chain • Non compatible chain/chain wheel freewheel 	<ul style="list-style-type: none"> • Replace chain wheel, sprockets and chain • Replace chain • Lubricate or replace link • Seek advice at a bicycle shop
Chain jumping off freewheel sprocket or chain wheel	<ul style="list-style-type: none"> • Chain wheel out of true • Chain wheel loose • Chain wheel teeth bent or broken • Rear or front derailleur side-to-side travel out of adjustment • Cross chaining and shifting under load 	<ul style="list-style-type: none"> • Re-true if possible, or replace • Tighten mounting bolts • Repair or replace chain wheel/set • Adjust derailleur travel
Constant clicking noises when pedaling	<ul style="list-style-type: none"> • Stiff chain link • Loose pedal axle/bearing • Loose bottom bracket axle/bearings • Bent bottom bracket or pedal axle • Loose crankset 	<ul style="list-style-type: none"> • Lubricate chain/adjust chain link • Adjust bearings/axle nut • Adjust bottom bracket • Replace bottom bracket axle or pedals • Tighten crank bolts
Grinding noise when pedaling	<ul style="list-style-type: none"> • Pedal bearings too tight • Bottom bracket bearings too tight • Chain fouling derailleurs • Derailleur jockey wheels dirty/binding 	<ul style="list-style-type: none"> • Adjust bearings • Adjust bearings • Adjust chain line • Clean and lubricate jockey wheels

6 Maintenance

Problem	Possible Cause	Remedy
Freewheel does not rotate	<ul style="list-style-type: none"> • Freewheel internal pawl pins are jammed 	<ul style="list-style-type: none"> • Lubricate. If problem persists, replace freewheel
Brakes not working effectively	<ul style="list-style-type: none"> • Brake pads worn down • Brake pads/rim greasy, wet or dirty • Brake cables are binding/stretched/damaged • Brake levers are binding • Brakes out of adjustment 	<ul style="list-style-type: none"> • Replace brake pads • Clean pads and rim • Clean/adjust/replace cables • Adjust brake levers • Center brakes
When applying the brakes they squeal/squeak	<ul style="list-style-type: none"> • Brake pads worn down • Brake pads toe-in incorrect • Brake pads/rim dirty or wet • Brake arms loose 	<ul style="list-style-type: none"> • Replace pads • Correct pads toe-in • Clean pads and rim • Tighten mounting bolts
Knocking or shuddering when applying brakes	<ul style="list-style-type: none"> • Bulge in the rim or rim out of true • Brake mounting bolts loose • Brakes out of adjustment • Fork loose in head tube 	<ul style="list-style-type: none"> • True wheel or take to a bike shop for repair • Tighten bolts • Center brakes and/or adjust brake pads toe-in • Tighten headset
Wobbling wheel	<ul style="list-style-type: none"> • Axle broken • Wheel out of true • Hub comes loose • Headset binding • Hub bearings collapsed • Quick-release mechanism loose 	<ul style="list-style-type: none"> • Replace axle • True wheel • Adjust hub bearings • Adjust headset • Replace bearings • Adjust quick-release mechanism

Problem	Possible Cause	Remedy
Steering not accurate	<ul style="list-style-type: none"> • Wheels not aligned in frame • Headset loose or binding • Front forks or frame bent 	<ul style="list-style-type: none"> • Align wheels correctly • Adjust/tighten headset • Take bike to a bike shop for possible frame realignment
Frequent punctures	<ul style="list-style-type: none"> • Inner tube old or faulty • Tire tread/casing worn • Tire unsuited to rim • Tire not checked after previous puncture • Tire pressure too low • Spoke protruding into rim 	<ul style="list-style-type: none"> • Replace inner tube • Replace tire • Replace with correct tire • Remove sharp object embedded in tire • Correct tire pressure • File down spoke

7 Warranty

LIMITED LIFETIME WARRANTY AND POLICY ON REPLACEMENT PROCEDURES AND RESPONSIBILITIES

Your purchase includes the following warranty which is in lieu of all other express warranties. This warranty is extended only to the initial consumer purchaser. No warranty registration is required. This warranty gives you specific legal rights and you may have other rights which vary from state to state.

FRAME

Steel, aluminum and dual suspension frames are guaranteed against faulty materials and workmanship for as long as the initial consumer purchaser has the bicycle, subject to the Terms and Conditions of this Limited Warranty. If frame failure should occur due to faulty materials or workmanship during the guarantee period, the frame will be replaced. For frame replacement under this Limited Warranty, contact us, stating the nature of the failure, model number, date received and the name of the store from which the bike was received, at the address given on this page. Frame must be returned for inspection at customer's expense. Please note: the fork is not part of the frame. A lifetime warranty on your frame does not guarantee that the product will last forever. The length of the useful life cycle will vary depending on the type of bike, riding conditions and care the bicycle receives. Competition, jumping, downhill racing, trick riding, trial riding, riding in severe conditions or climates, riding with heavy loads or any other non-standard use can substantially shorten the useful product life cycle. Any one or a combination of these conditions may result in an unpredictable failure that is not covered by this warranty. All bicycles and frame sets should be periodically checked by an authorized dealer for indications of potential problems, inappropriate use or abuse. These are important safety checks and are very important to help prevent accidents, bodily injury to the rider and shortened useful product life cycle.

PARTS

All other parts of the bicycle, except Normal Wear Parts, are warranted against defective materials and workmanship for as long as the initial consumer purchaser has the bicycle, subject to the Terms and Conditions of this Limited Warranty. If failure of any part should occur due to faulty materials or workmanship during the warranty period, the part will be replaced. All warranty claims must be submitted to the address in the front of the manual and must be shipped prepaid and accompanied by proof of purchase. Any other warranty claims not included in this statement are void. This especially includes installation, assembly, and disassembly costs. This warranty does not cover paint damage, rust, or any modifications made to the bicycle. Normal Wear Parts are defined as grips, tires, tubes, cables, brake shoes and saddle covering. These parts are warranted to be free from defects in material and workmanship as delivered with the product. Any claim for repair or replacement of Normal Wear Parts (grips, tubes, tires, cables, brake shoes and saddle covering) and missing parts must be made within thirty (30) days of the date of purchase.

CONDITIONS OF WARRANTY

1. Your bicycle has been designed for general transportation and recreational use, but has not been designed to withstand abuse associated with stunting and jumping. This warranty ceases when you rent, sell, or give away the bicycle, ride with more than one person, or use the bicycle for stunting or jumping. 2. This warranty does not cover ordinary wear and tear or anything you break accidentally or deliberately. 3. This warranty does not cover normal wear and tear, improper assembly or maintenance, or installation of parts or accessories not originally intended or compatible with the bicycle as sold. The warranty does not apply to damage or failure due to accident, abuse, misuse, neglect, or theft. Claims involving these issues will not be honored. 4. It is the responsibility of the individual consumer purchaser to assure that all parts included in the factory-sealed carton are properly installed, all functional parts are initially adjusted properly, and subsequent normal maintenance services and adjustments necessary to keep the bicycle in good operating condition are properly made. 5. This warranty does not apply to damage due to improper installation of parts, installation of any kind of power plant or internal combustion engine, modification or alteration of the brakes, drive train, or frame in any way, or failure to properly maintain or adjust the bicycle.

NOTICE: Bicycle specifications subject to change without notice.

PURCHASE RECORD

Fill in immediately and retain as a record of your purchase.

Please retain your sales receipt for any possible warranty claims.

Your Name: _____

Address: _____

City: _____ State: _____

Date Purchased: _____

Place of Purchase: _____

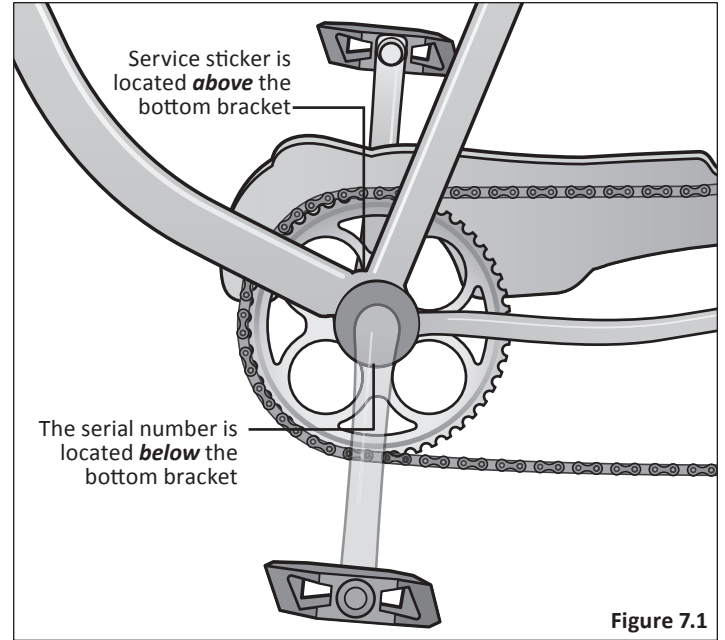
Model and Brand Information: _____

Wheel Size: _____ Color: _____

Model Number: _____

Date Code: _____

Serial Number: _____





SCHWINN®

EST. 1895

MANUAL DE LA BICICLETA PARA LOS DUEÑOS

ESTE MANUAL CONTIENE IMPORTANTE INFORMACION DE SEGURIDAD, FUNCIONAMIENTO, Y MANTENIMIENTO. LEE EL MANUAL ANTES DE IR A EL PRIMER PASEO EN SU BICICLETA NUEVA, Y GUARDE EL MANUAL REFERENCIA FUTURE.

Para registrar su bicicleta visite www.schwinnbikes.com/registerbike

Contenido

1 Seguridad	4	Ajuste del juego de dirección	44
Palabras De Advertencia De Seguridad	4	Ajuste el pedalier	46
Responsabilidad Del Usuario	5	5 Uso	47
Configuración De La Bicicleta	6	Funcionamiento de los frenos	47
Seguridad Personal	8	Funcionamiento de las marchas	49
Seguridad Al Montar En Bicicleta	11	Seguridad	51
Lista de comprobación de seguridad antes de montar en bicicleta	14	6 Mantenimiento	52
2 Identificación de las partes	16	Mantenimiento básico	52
3 Ensamblado	18	Programa de lubricación	53
Herramientas necesarias	18	Mantenimiento de las partes	54
Para empezar	19	Rodamientos del buje	57
Fije el manillar	20	Desinfle la cámara de la llanta	58
Fije los cables del freno	21	Reparar una llanta pinchada	59
Fije los cables del freno	21	Guía de identificación y solución de problemas	60
Fije el guardabarros y la rueda delanteros	22	7 Garantía	63
Instalar el sillín	27	Garantía limitada de por vida y política sobre los procedimientos de reemplazo y responsabilidades	63
Fije los pedales	29	Registro de compra	64
Fije la cesta	30		
Fije el timbre	31		
4 Ajustes	32		
Herramientas necesarias	32		
Ajustar los frenos	33		
Ajustar el cambio trasero	40		
Ajustar la altura del sillín	41		
Ajuste del manillar	43		

¡Enhorabuena

por su nueva bicicleta! Es importante el montaje y funcionamiento correctos de su bicicleta para su seguridad y disfrute. Nuestro departamento de Servicio al Cliente está dedicado a su satisfacción con Pacific Cycle y sus productos. Si tiene preguntas o necesita asesoramiento con respecto al montaje, partes, funcionamiento o devoluciones, póngase en contacto con los expertos en Pacific Cycle.

¡Disfrute su recorrido!

Llamada sin costo: 1-800-626-2811.

Horario de Servicio al Cliente: De lunes a viernes de 8 am a 5 pm horario estándar central (CST)

También puede encontrarnos en:

Web: www.pacific-cycle.com

Correo electrónico: customerservice@Pacific-Cycle.com

Correo: P. O. Box 344
4730 E. Radio Tower Lane
Olney, IL 62450

No devuelva este artículo a la tienda. Llame a Servicio al Cliente de Pacific Cycle si necesita ayuda. Necesitará el número del modelo y el código de fecha ubicados en la etiqueta de servicio cerca de la zona del pedalier. Vea **la sección 7: Registro de compra** para la ubicación del número de modelo en su bicicleta.

Sobre este manual

Es importante que entienda su nueva bicicleta.

Al leer este manual antes de salir en su primer recorrido, sabrá cómo obtener mejor rendimiento, confort y disfrute de su nueva bicicleta. También es importante que realice el primer recorrido en la nueva bicicleta en un ambiente controlado, lejos de los coches, obstáculos y otros ciclistas.

Este manual contiene información importante sobre seguridad, montaje, uso y mantenimiento de la bicicleta, pero **no** pretende ser un manual completo o integral que cubra todos los aspectos relativos a la posesión de la bicicleta. Le recomendamos consultar a un especialista en bicicletas si tiene dudas o inquietudes con respecto a su experiencia o capacidad para montar y mantener la bicicleta adecuadamente.

Aviso especial para padres y tutores

Es un hecho trágico que la mayoría de los accidentes de bicicleta involucran a niños. Como padre o tutor, tiene la responsabilidad de las actividades y la seguridad de su hijo menor. Entre estas responsabilidades está asegurarse de que la bicicleta que su hijo va a montar se ajuste correctamente al niño; que esté en buenas condiciones y en un estado de funcionamiento seguro; que usted y su hijo hayan aprendido, entiendan y obedezcan no sólo las leyes locales aplicables a los vehículos de motor, las bicicletas y el tráfico, sino también las reglas de sentido común sobre cómo montar en bicicleta de manera segura y responsable. Como padre, debería leer este manual antes de permitir a su hijo montar en la bicicleta. Asegúrese de que su hijo siempre lleve un casco de bicicleta homologado cuando monta en bicicleta.

¡Los cascos salvan vidas!

- USE SIEMPRE UN CASCO
CORRECTAMENTE AJUSTADO CUANDO
MONTE EN BICICLETA
- NO MONTE EN BICICLETA POR LA NOCHE
- EVITE MONTAR EN BICICLETA EN
CONDICIONES HÚMEDAS



Ajuste correcto

Asegúrese de que el casco cubra su frente



Ajuste incorrecto

La frente está expuesta y es vulnerable a lesiones graves

1 Seguridad

PALABRAS DE ADVERTENCIA DE SEGURIDAD

Las siguientes palabras de advertencia de seguridad indican un mensaje de seguridad. El símbolo lo alerta de riesgos potenciales. No respetar la advertencia puede ocasionar daños a la propiedad, lesiones o la muerte.

Este manual contiene numerosas Advertencias y Precauciones sobre las consecuencias que tiene no respetar las advertencias de seguridad. Ya que cualquier caída puede dar como resultado lesiones graves o incluso la muerte, no repetiremos la advertencia de posibles lesiones o muerte cuando se mencione el riesgo de caer.

¡ADVERTENCIA!

Indica una práctica de riesgo o inseguridad que dará como resultado lesiones graves o la muerte. No leer, entender y respetar la información de seguridad de este manual puede dar como resultado lesiones graves o la muerte.

¡PRECAUCIÓN!

Indica una práctica de riesgo o inseguridad que podría dar como resultado una lesión leve.

AVISO

Indica un riesgo no relacionado con lesiones personales, como pueden ser los daños materiales.

RESPONSABILIDAD DEL USUARIO

¡ADVERTENCIA!

No instale ningún tipo de planta eléctrica o motor de combustión interna en una bicicleta. Modificar una bicicleta de esta manera plantea un riesgo de seguridad extremo para el ciclista y puede dar como resultado la pérdida de control o la muerte.

Todas las personas que ensamblen, usen y mantengan la bicicleta deben leer y entender las advertencias de seguridad y las instrucciones de operación de este manual antes de utilizar la bicicleta.

Es responsabilidad del usuario o, en el caso de un niño ciclista, de un adulto, asegurarse de que la bicicleta tenga un mantenimiento correcto y esté en condiciones adecuadas de funcionamiento. Hacerlo reducirá el riesgo de lesiones. Realice siempre un mantenimiento regular y una inspección a su bicicleta. Antes de cada uso, complete la lista de comprobación de seguridad que está al final de esta sección.

Un adulto responsable siempre debe supervisar el uso de la bicicleta por parte de un niño. Debe asegurarse de que:

- El niño lleve la vestimenta protectora adecuada y un casco de bicicleta homologado.
- El niño esté sentado de forma segura y la bicicleta esté debidamente ajustada para el niño.
- El niño entiende las leyes aplicables y las normas de sentido común sobre el ciclismo responsable seguro.

CONFIGURACIÓN DE LA BICICLETA

⚠ ¡ADVERTENCIA!

La incapacidad para alcanzar el manillar y desmontar de la bicicleta de forma segura puede dar como resultado la pérdida de control de la bicicleta. Si la bicicleta tiene una barra superior en el cuadro, asegúrese de que haya de una a tres pulgadas de espacio libre entre el ciclista y esa barra.

Una configuración o mantenimiento incorrectos de la bicicleta pueden dar como resultado un movimiento inesperado, pérdida de control, lesiones graves o la muerte.

Tamaño correcto de la bicicleta

Montar en una bicicleta que no es del tamaño correcto para el ciclista puede hacer que sus pies no toquen el suelo y equilibrar la bicicleta, que no alcance correctamente el manillar para dirigir o frenar y que pierda el control cuando pedalea.

Use el tamaño de rueda de la siguiente tabla como guía para adecuar al ciclista y la bicicleta. Por ejemplo, las bicicletas con un tamaño de rueda de 12 pulgadas se ajustan a un ciclista que mida de 28 a 38 pulgadas de altura. **Nota:** Algunas bicicletas como las plegables pueden tener ruedas más pequeñas pero aun así ajustarse a los adultos.

Si la bicicleta tiene una barra superior en el cuadro, verifique que haya de una a tres pulgadas de espacio libre entre el ciclista y esa barra. **Figura 1.1**

Tamaño de la rueda	Altura aproximada del ciclista
12 pulgadas	28 - 38 pulgadas de alto
16 pulgadas	38 - 48 pulgadas de alto
18 pulgadas	42 - 52 pulgadas de alto
20 pulgadas	48 - 60 pulgadas de alto
24 pulgadas	56 - 66 pulgadas de alto
26 pulgadas, 27,5 pulgadas, 29 pulgadas, 700 c	64 - 74 pulgadas de alto

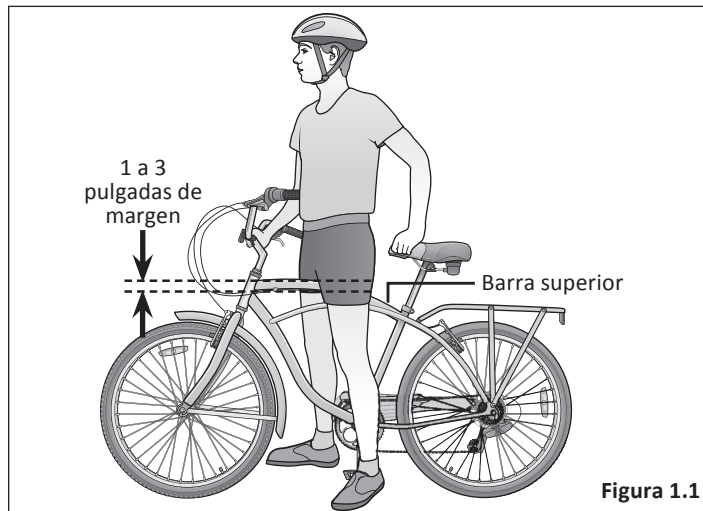


Figura 1.1

Palancas de liberación rápida

⚠ ¡ADVERTENCIA!

Una configuración o mantenimiento incorrectos de las palancas de liberación rápida pueden dar como resultado un movimiento inesperado, pérdida de control, lesiones graves o la muerte. Compruebe siempre, antes de montar, que la palanca de liberación rápida esté firmemente fijada en su lugar y que el sillín no se mueva.

Delanteras (blanco)

- 1 Algunas bicicletas vienen equipadas con palancas de liberación rápida para la rueda delantera. Las ruedas deben estar firmemente bloqueadas. Asegúrese de que la palanca de liberación rápida de la rueda esté firmemente bloqueada en su lugar. **Figura 1.2**

Tija del sillín

- 2 Asegúrese siempre de que la **marca de inserción mínima** de la tija del sillín esté por debajo de la abrazadera del sillín y que la abrazadera esté bloqueada en su sitio.

Nota: Vea la **Sección 4: Ajustar la altura del sillín** si es necesario.

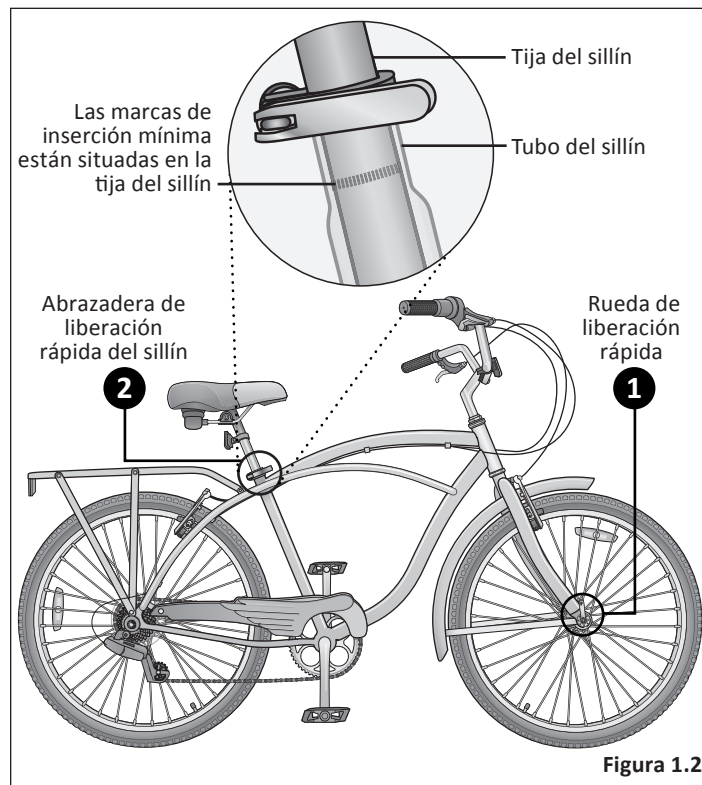


Figura 1.2

Altura del sillín y alcance del manillar

⚠ ¡ADVERTENCIA!

La altura del sillín incorrectamente ajustada puede afectar la capacidad del ciclista para alcanzar el manillar y los pedales, lo que puede ocasionar un movimiento inesperado, pérdida de control y lesiones graves o la muerte. Siga estas directrices para ajustar la altura del sillín. Asegúrese siempre de que la **marca de inserción mínima** de la tija del sillín esté por debajo de la abrazadera del sillín y **no** se vea. Asegúrese de que la abrazadera del sillín esté bloqueada y que éste no se pueda mover.

- 1 Sus piernas deben estar casi completamente rectas cuando el pedal está en la posición más baja, con sólo una leve curva en la rodilla. **Figura 1.2**

Nota: Los pies del ciclista no pueden tocar el suelo fácilmente. Si este es el caso, el ciclista puede simplemente adelantarse fuera del sillín para montar y desmontar de la bicicleta o puede ajustarse el sillín más bajo si el ciclista está incómodo con la altura, pero tenga en cuenta que es más difícil circular con el sillín demasiado bajo, ya que las piernas están en una posición poco natural.

No levante el sillín tanto que las rodillas se bloqueen rectas al pedalear o tenga que adelantarse fuera del sillín para pedalear. Esto es inseguro y la bicicleta no se puede controlar en esta forma.

- 2 Debe poder alcanzar el manillar con los brazos ligeramente flexionados (aproximadamente 10 grados) en el codo.

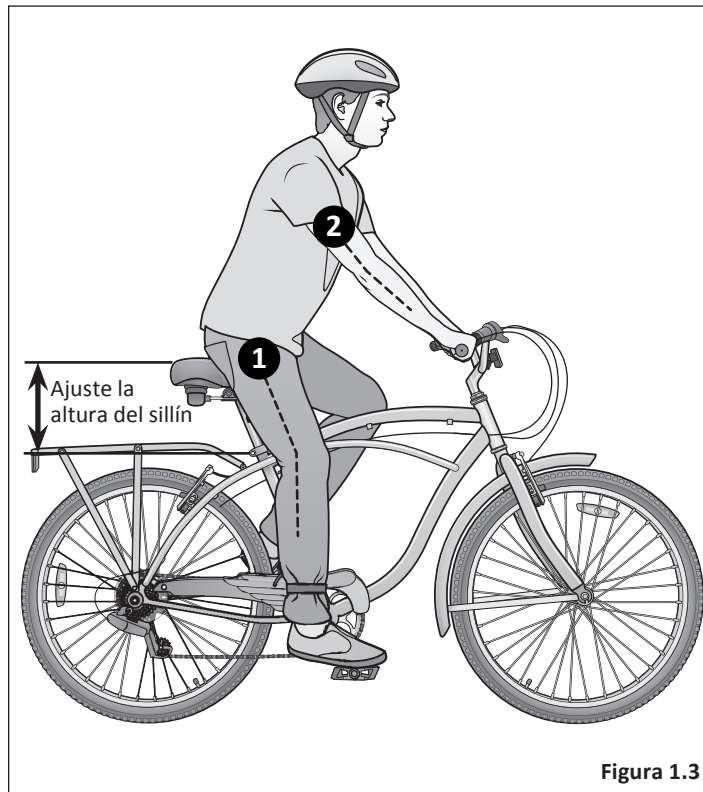


Figura 1.3

SEGURIDAD PERSONAL

⚠ ¡ADVERTENCIA!

Montar en bicicleta sin equipo, ropa o casco de protección, puede dar lugar a lesiones graves o la muerte. Use siempre casco, ropa y equipo de protección cuando monte en bicicleta. Asegúrese de que el equipo de protección no interfiera con la dirección, frenado y pedaleo.

Equipo y ropa de protección.

Use siempre: Figura 1.4

- Colores que sean fáciles de ver y, si es posible, ropa reflectante.
- Ropa adecuada para las condiciones del tiempo.
- Se recomienda vivamente el uso de equipo protector como rodilleras y coderas para los niños.
- Los usuarios de bicicletas deben usar en todo momento un casco ajustado correctamente, homologado por ASTM o SNELL. Para obtener más información sobre cómo ajustar correctamente el casco, visite: <http://www.nhtsa.gov/people/injury/pedbimot/bike/easystepsweb>

No use:

- Prendas de ropa holgadas, cadenas o joyas que puedan engancharse en las partes móviles de la bicicleta o interferir con el manejo de la bicicleta.
- Pantalones con perneras holgadas. Si es necesario, meta siempre las perneras en un calcetín o utilice una pinza

sujetapantalón para evitar que la ropa quede atrapada en la cadena de transmisión.

- Zapatos con cordones desatados.



Figura 1.4

1 Seguridad

Uso del casco

¡Importante! Muchos estados han aprobado leyes sobre el uso del casco con respecto a los niños. Asegúrese de conocer las leyes sobre el uso del casco de su estado. Es su trabajo hacer que sus hijos cumplan estas reglas. Aunque su estado no tenga una ley sobre el uso del casco para niños, se recomienda que todo el mundo utilice un casco cuando practica ciclismo. Cuando monte en bicicleta con un asiento o un remolque infantiles, los niños deben usar casco.

Se recomienda vivamente que utilice en todo momento un casco de seguridad para bicicleta correctamente ajustado, homologado por ASTM o SNELL. Además, si lleva pasajeros en un asiento de seguridad infantil, también deberán llevar casco.

El casco correcto debe: Figura 1.5

- Ser cómodo
- Tener buena ventilación
- Ajustarse correctamente
- Cubrir la frente

Posición incorrecta del casco: Figura 1.6

- El casco **no** cubre la frente



Figura 1.5



Figura 1.6

Reflectores

⚠ ¡ADVERTENCIA!

Los reflectores faltantes, dañados o sucios afectarán la capacidad de los demás para verlo y reconocerlo como ciclista en movimiento, aumentando el riesgo de ser golpeado, lesiones graves o la muerte. Revise siempre que los reflectores estén en su lugar y asegúrese de que estén limpios, rectos, intactos y firmemente instalados antes de montar en la bicicleta.

¡Importante! Los reglamentos federales requieren que cada bicicleta de más de 16 pulgadas se equipe con reflectores delanteros, traseros, en las ruedas y en los pedales. Muchos estados requieren dispositivos especiales de seguridad. Es su responsabilidad familiarizarse con las leyes del estado donde monta en bicicleta y cumplir todas las leyes aplicables, incluyendo equiparse correctamente y equipar su bicicleta como requiere la ley. Las bicicletas de menos de 16 pulgadas se consideran "bicicletas de acera" y no podrán estar equipadas con reflectores. Estas bicicletas **no** deben circular en las calles, de noche o sin la supervisión de un adulto.

Verifique y confirme que los reflectores delantero y trasero estén en la posición correcta: **Figura 1.7**

- **Reflector delantero:** Debe apuntar hacia delante (visto desde arriba) e instalarse de tal manera que no esté a más de 5 grados de la vertical.
- **Reflector trasero:** Debe apuntar hacia atrás (visto desde arriba) e instalarse de tal manera que no esté a más de 5 grados de la vertical.

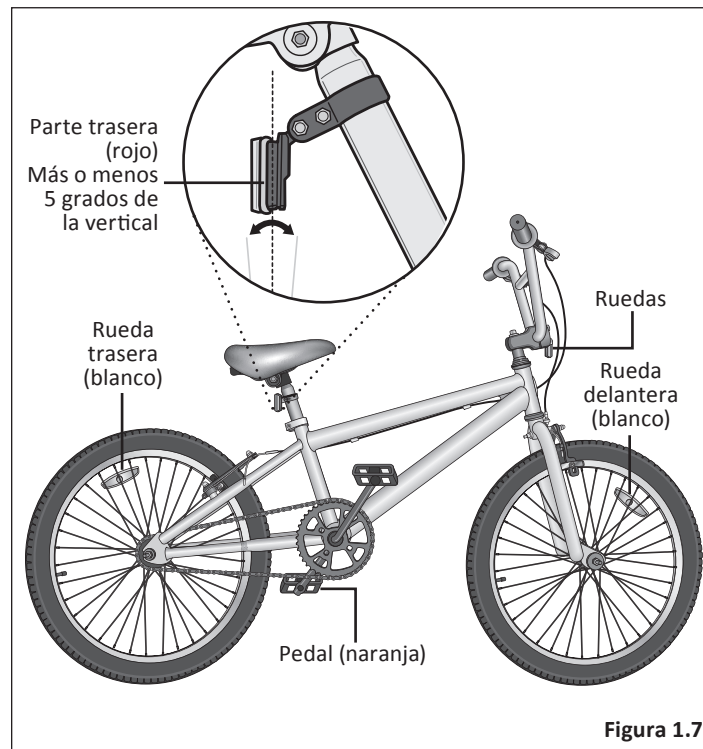


Figura 1.7

SEGURIDAD AL MONTAR EN BICICLETA

¡ADVERTENCIA!

Montar en bicicleta en condiciones inseguras (por ejemplo, en la noche), de manera insegura o ignorando las leyes de tráfico puede dar como resultado un movimiento inesperado, pérdida de control, lesiones graves o la muerte.

Seguridad general

- Familiarícese con las características de la bicicleta antes de usarla. Practique cambios de marcha, de frenado y el uso de calapiés y correas, si están instalados.
- Circule siempre a la defensiva en una línea recta, predecible. Nunca circule contra el tráfico.
- Espere lo inesperado (por ejemplo, puertas de coche que se abren o coches saliendo marcha atrás de salidas ocultas).
- Tenga mucho cuidado en las intersecciones y cuando se prepare para adelantar a otros vehículos.
- Mantenga una distancia de parada cómoda respecto de todos los demás ciclistas, vehículos y objetos. Las distancias y fuerzas de frenado seguras están sujetas a las condiciones climáticas prevaletientes. No bloquee los frenos. Al frenar, utilice siempre el freno trasero primero, luego el delantero. El freno delantero es más potente y si no se aplica correctamente, puede perder el control y caer.
- Utilice siempre las señales de mano correctas para indicar que va a girar o a detenerse.

- Obedezca las leyes de tráfico (por ejemplo, detenerse en un semáforo en rojo o una señal de stop, dando paso a los peatones).
- Use vestimenta adecuada para montar en bicicleta, de ser posible reflejante, y evite los zapatos de puntera abierta.
- No use artículos que puedan restringir su visión y audición.
- No lleve paquetes o pasajeros que interfieran con su visibilidad o control de la bicicleta.

Condiciones de la carretera

- Tenga en cuenta las condiciones de la carretera. Concéntrese en el camino a seguir. Evite baches, grava, marcas de carretera mojada, aceite, bordillos, badenes, alcantarillas y otros obstáculos.
- Cruce las vías del tren en un ángulo de 90 grados o crúcelas caminando con su bicicleta.

Tiempo húmedo

- Cuando monte en bicicleta con lluvia, utilice siempre ropa reflectante y luces de seguridad para mejorar la visibilidad.
- Extreme la precaución cuando circule en condiciones húmedas.
- Circule a una velocidad más lenta. Gire las esquinas gradualmente y evite los frenazos bruscos.

- Frene antes, le tomará una distancia mayor para parar.
- Los baches y las superficies resbaladizas como las líneas pintadas y las vías de tren se vuelven todos más peligrosos cuando están mojados.

Montar en bicicleta en la noche

- **¡Importante!** Montar en bicicleta por la noche **no** es recomendable. Verifique las leyes locales relativas a andar en bicicleta por la noche.
- Asegúrese de que la bicicleta esté equipada con un conjunto completo de reflectores correctamente colocados y limpios.
- Utilice una luz blanca en el frente y una roja en la parte trasera. Use luces con capacidad de destello para tener una mejor visibilidad.
- Si utiliza luces accionadas por baterías, asegúrese de que las baterías estén bien cargadas.
- Use ropa reflectora y de colores claros. Use ropa reflectante y luces de seguridad para mejorar la visibilidad.
- Sólo monte en bicicleta por la noche si es necesario. Circule despacio y utilice carreteras iluminadas con las que esté familiarizado.

Técnica de montaña

- Ponga una marcha menor antes de una subida y siga bajando de marchas lo que sea necesario para mantener la velocidad de pedaleo.
- Si alcanza la marcha más baja y sigue luchando, póngase de pie sobre los pedales. Obtendrá más energía de cada revolución del pedal.
- En el descenso, utilice las marchas largas para evitar pedalear rápido.
- No supere una velocidad cómoda, mantenga el control y tome precauciones adicionales.
- Frenar requerirá una distancia adicional. Inicie el frenado lentamente y antes de lo habitual.

Técnica de giro

- Frene ligeramente antes de girar y prepárese para inclinar el cuerpo en la esquina.
- Mantenga el pedal interior en posición de las 12 en punto y apunte ligeramente la rodilla interior en la dirección en la que gira.
- Mantenga la otra pierna recta; no pedalee cuando gire en esquinas rápidas o cerradas.
- Disminuya la velocidad de su bicicleta, evite las frenadas bruscas y los giros repentinos.

1 Seguridad

Reglas de seguridad al montar en bicicleta para niños

- Muchos estados exigen que los niños usen casco mientras van en bicicleta. Use siempre un casco correctamente ajustado.
- No juegue en calzadas y carreteras.
- No circule en calles concurridas.
- No monte en bicicleta por la noche.
- Obedezca todas las leyes de tráfico, especialmente las señales y semáforos en rojo.
- Sea consciente de los demás vehículos en la carretera detrás y cerca de usted.
- Antes de entrar en una calle: Deténgase, mire a la izquierda, derecha e izquierda otra vez revisando que no haya tráfico. Si no hay tráfico, proceda a entrar en la calzada.
- Si viaja cuesta abajo, tenga cuidado adicional. Ralentice el recorrido con los frenos y mantenga el control de la dirección.
- Nunca quite las manos del manillar ni los pies de los pedales cuando circule cuesta abajo.

LISTA DE COMPROBACIÓN DE SEGURIDAD ANTES DE MONTAR EN BICICLETA

Antes de cada recorrido, es importante llevar a cabo las siguientes comprobaciones de seguridad. ¡No monte en una bicicleta que no esté en condiciones de funcionamiento adecuadas!

Accesorios

- Los reflectores están colocados correctamente y no están ocultos. **Nota:** Las bicicletas de 16" y menores no deben estar equipadas con reflectores dado que los niños pequeños no deberían circular por la noche.
- Todos los demás accesorios de la bicicleta están sujetos correcta y seguramente, y funcionan
- El ciclista lleva un casco correctamente ajustado (equipo de protección si es necesario) y la ropa y artículos holgados están correctamente controlados.

Rodamientos

- Todos los rodamientos están lubricados, funcionan libremente y no muestran ningún exceso de movimiento, rechinos o repiqueteo.

Frenos

- Los frenos delantero y trasero funcionan correctamente.
- Las zapatas del freno no están excesivamente desgastadas y están colocadas correctamente en relación con los aros de la rueda o rines.
- Los cables de control de freno están lubricados, ajustados correctamente y no muestran ningún desgaste evidente.
- Las palancas de control del freno están lubricadas y firmemente aseguradas al manillar.

Cadenas

- La cadena está engrasada, limpia y funciona con suavidad.

Bielas y pedales

- Los pedales están bien apretados a las bielas.
- Las bielas están fijadas al eje y no están dobladas.

Cuadro y horquilla

- El cuadro y la horquilla no están doblados o rotos.
- Las abrazaderas de liberación rápida están bloqueadas en su lugar.

Dirección

- El manillar y el poste están correctamente ajustados y apretados, y permiten una dirección adecuada.
- El manillar está ajustado correctamente en relación con las horquillas y el sentido de la marcha.
- El perno fijador del manillar está apretado.

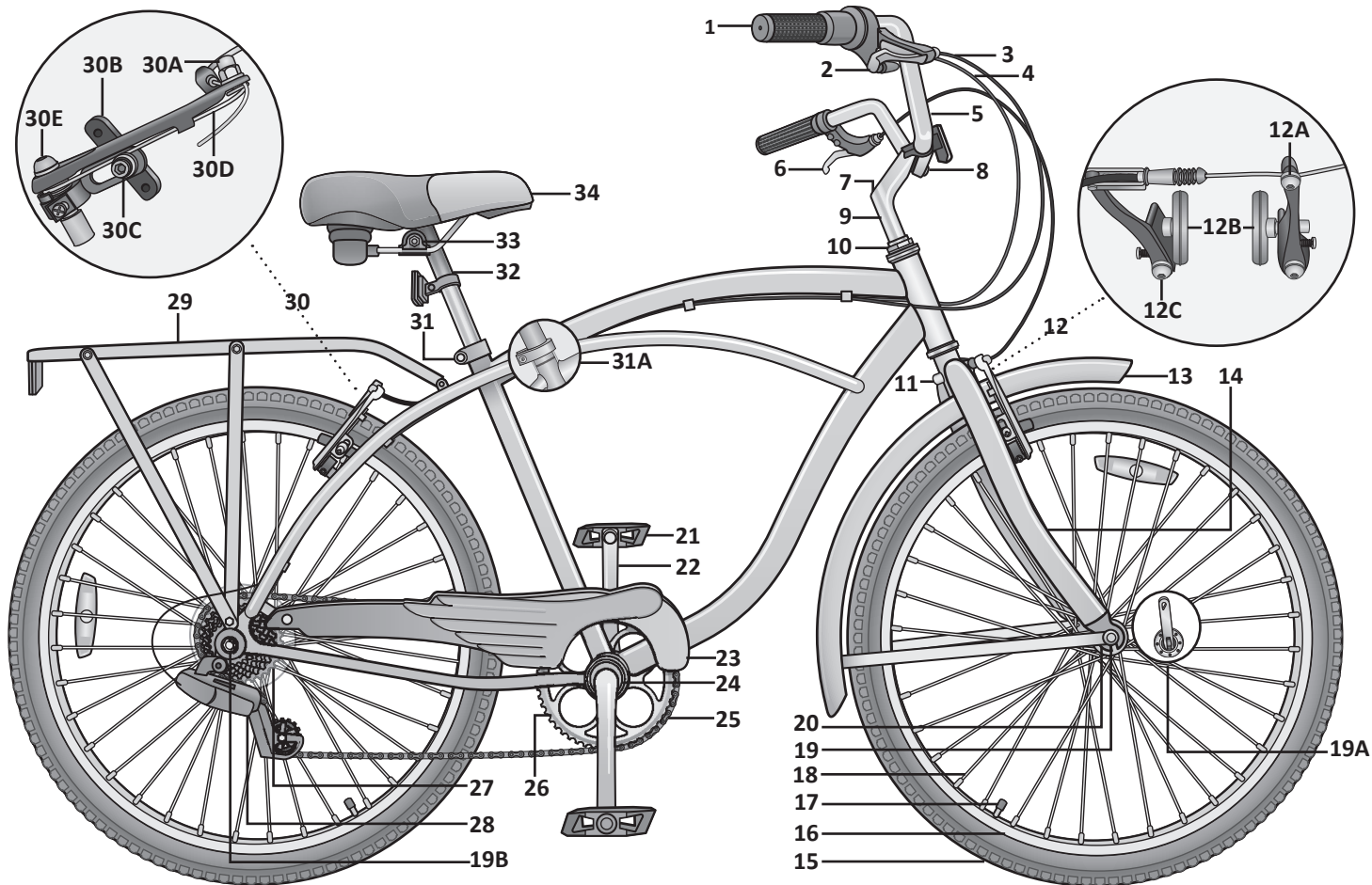
Ruedas y llantas

- Los rines no tienen grasa o suciedad en ellos.
- Las ruedas están conectadas correctamente a la bicicleta y el eje.
- Las llantas están correctamente infladas dentro de las presiones recomendadas que se muestran en el lateral de las mismas.
- Las llantas tienen la cantidad apropiada de banda de rodadura, sin protuberancias o desgaste excesivos

2 Identificación de las partes

Bicicleta Cruiser Conozca las partes de su bicicleta. Esto ayudará con el armado, mantenimiento y solución de problemas. El color, el estilo y las partes pueden variar.

Nombre de la parte		Par de torsión (in. lb)	Nombre de la parte		Par de torsión (in. lb)	Nombre de la parte		Par de torsión (in. lb)
1	Empuñadura del manillar	-	13	Guardabarros delantero	-	26	Plato	-
2	Maneta del freno trasero	55-70	14	Horquilla	-	27	Piñón libre	-
3	Cable del freno	-	15	Llanta	-	28	Cambio trasero	-
4	Cable de la palanca de cambios	-	16	Rin	-	29	Portabultos trasero	-
5	Manillar	-	17	Vástago de la válvula	-	30	Montaje del freno lineal	-
6	Maneta del freno delantero	-	18	Radio	-	30A	Perno de fijación del cable de freno	50-70
7	Perno fijador de la potencia	100-120	19	Tuerca del eje de la rueda (delantera)	180-240	30B	Zapata de freno	-
8	Pernos fijadores del manillar	145-200	19A	Liberación rápida de la rueda (opción)	-	30C	Material de montaje de las zapatas del freno	50-60
9	Potencia	-	19B	Tuerca del eje de la rueda (trasera)	240-300	30D	Resorte del freno	-
10	Juego de dirección	175-260	20	Punteras de la horquilla	-	30E	Perno del pivote del freno	17-20
11	Tuerca de fijación del freno de pinza	70-85	21	Pedal	300-360	31	Abrazadera de la tija del sillín	60-80
12	Conjunto del freno de pinza	50-70	22	Biela	300	31A	Liberación rápida del sillín (opción)	?
12A	Perno de fijación del cable de freno	50-70	23	Guardacadena	-	32	Tija del sillín	-
12B	Zapatas del freno	-	24	Contratuerca del pedalier	300	33	Material para fijar la tija del sillín	130-170
12C	Material de montaje de las zapatas del freno	50-60	25	Cadena	-	34	Asiento (sillín)	-



3 Ensamblado

⚠ ¡ADVERTENCIA!

- Un montaje defectuoso de este producto puede dar como resultado graves lesiones o la muerte. Siga siempre las instrucciones de este manual y compruebe los componentes críticos (por ejemplo, ruedas, sillín, pedales, frenos, cambios, llantas) antes de cada uso.
- Le recomendamos que consulte con un especialista en bicicletas si tiene dudas o preocupaciones en cuanto a su experiencia o capacidad para montar, reparar o mantener correctamente su bicicleta. Si adquirió su bicicleta ya ensamblada, le recomendamos que lea estas instrucciones y realice las comprobaciones especificadas en este manual antes de subirse a ella.

Su nueva bicicleta se montó y ajustó en la fábrica y luego se desmontó parcialmente para su envío. Puede comprar la bicicleta ya completamente ensamblada y lista para usarse o en la caja de envío en forma parcialmente desmontada. Las siguientes instrucciones le permitirán preparar su bicicleta para años de disfrute del ciclismo.

Para obtener más detalles sobre inspección, lubricación, mantenimiento y ajuste de cualquier área, consulte las secciones pertinentes de este manual. Si tiene preguntas sobre su capacidad para armar correctamente esta unidad, consulte a un especialista calificado antes de montar en bicicleta.

Si necesita piezas de repuesto o tiene preguntas relativas al montaje de su bicicleta, llame a la línea de servicio directo al: **1-800-626-2811**. De lunes a viernes de 8:00 am a 5:00 pm horario estándar central (CST).

HERRAMIENTAS NECESARIAS

- Destornillador de estrella
- Llave Allen de 4 mm, 5 mm, 6 mm y 8 mm
- Llave inglesa ajustable o llaves abiertas y cerradas de 9 mm, 10 mm, 14 mm y 15 mm
- Un par de alicates con capacidad para cortar cable

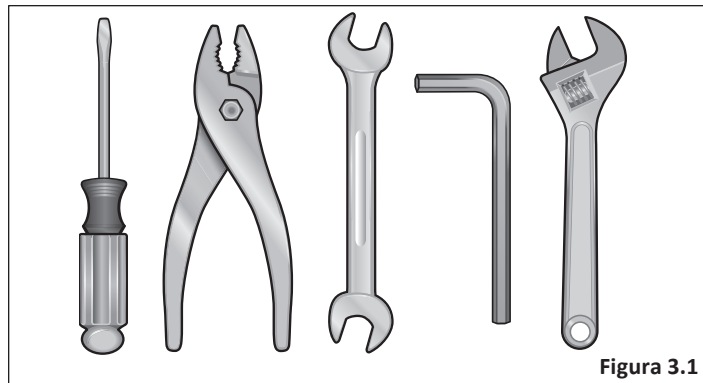


Figura 3.1

PARA EMPEZAR

- 1 Abra la caja por arriba y saque la bicicleta. **Figura 3.2**
- 2 Quite las correas y el embalaje de protección de la bicicleta. **¡Importante!** No tire los materiales de embalaje hasta que termine el montaje para estar seguro de que no se descarten accidentalmente piezas necesarias.
- 3 Inspeccione la bicicleta y todos los accesorios y piezas por si faltase alguna. Se recomienda que las roscas y todas las piezas móviles del paquete de piezas se lubriquen antes de la instalación. **Nota:** Le recomendamos que utilice una grasa con base de litio en las piezas antes de ensamblarlas.

No todas las bicicletas vendrán equipadas con accesorios tales como cestas y timbres.

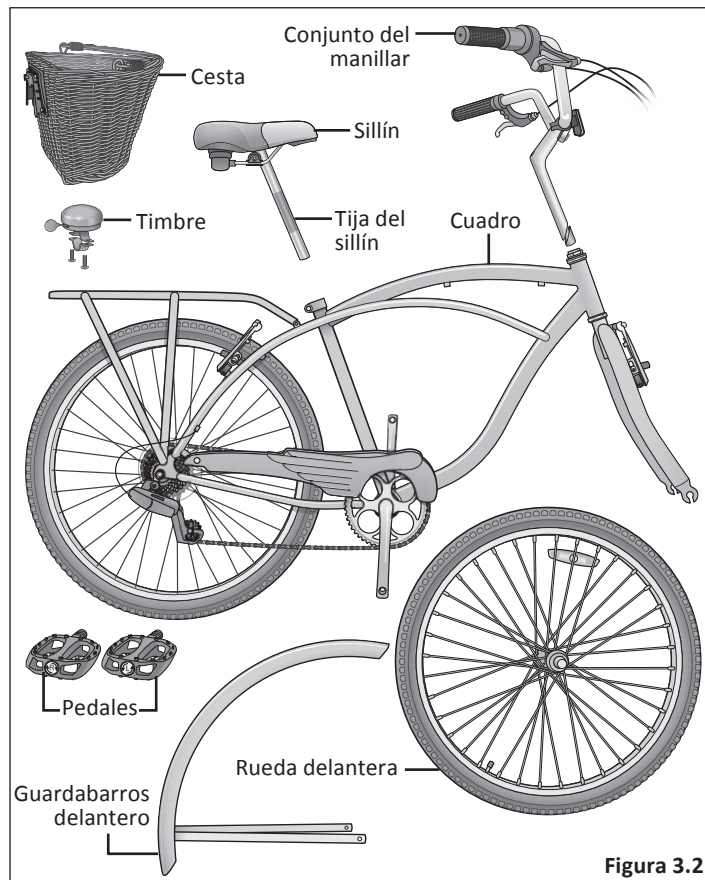


Figura 3.2

FIJE EL MANILLAR

⚠ ¡ADVERTENCIA!

- Una instalación incorrecta del manillar puede dar como resultado daños al poste de la potencia o del tubo de dirección y provocar pérdida de control, lesiones graves o la muerte. Asegúrese de que **las marcas de inserción mínima** del poste de la potencia **no sean** visibles por encima de la parte superior del juego de dirección.
- No apretar correctamente los componentes del manillar puede dar como resultado la pérdida del control, lesiones graves o la muerte. Compruebe siempre que el manillar no se pueda mover y que esté fijado al cuadro antes de montar en la bicicleta.

Instalar una potencia de cuña

- 1 Gire la horquilla delantera para que mire hacia delante.
Figura 3.3

Coloque el conjunto del manillar sobre el tubo de dirección. Compruebe todos los cables para estar seguro de que recorran un arco suave desde la palanca de cambios o del freno hasta el freno delantero o el tope del cable en el cuadro. **¡Importante!** Si están torcidos o doblados, no funcionarán el cambio ni los frenos.

- 2 Inserte el poste de la potencia en el tubo de dirección y ajuste el manillar hasta que el ciclista sienta que tiene el control de la bicicleta y esté cómodo. Vea **Sección 1, Fig.**

1.2: Altura del sillín y alcance del manillar para ver los lineamientos. **¡Importante!** Asegúrese de que **las marcas de inserción mínimo** vayan por encima de la parte superior del juego de dirección y que **no sean** visibles.

- 3 Utilice una llave Allen de 6 mm para apretar el perno fijador de la potencia en la parte superior del poste de la potencia. Compruebe los pernos fijadores del manillar para estar seguro de que están correctamente apretados y que el manillar está fijo en su lugar. **Nota:** Vea **sección 4: Ajuste del manillar** si es necesario hacer algún ajuste.

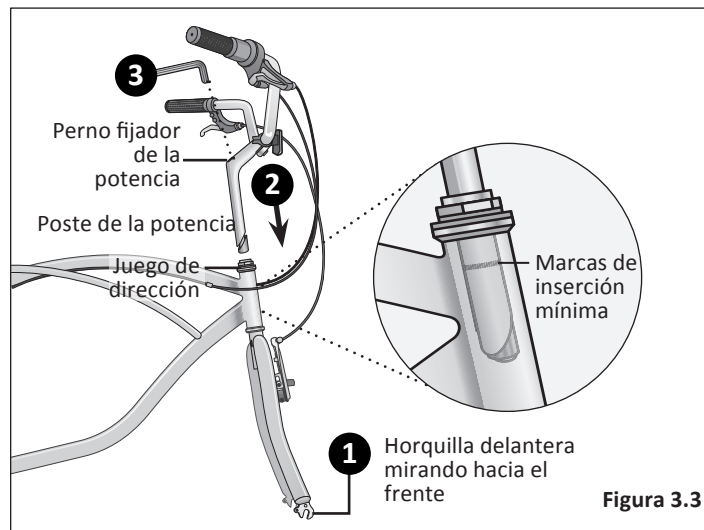


Figura 3.3

FIJE LOS CABLES DEL FRENO

⚠ ¡ADVERTENCIA!

No fijar apropiadamente los frenos puede dar como resultado la incapacidad de detener el movimiento de la bicicleta y ocasionar lesiones graves o la muerte. Asegúrese de que los frenos funcionan correctamente antes de usar la bicicleta.

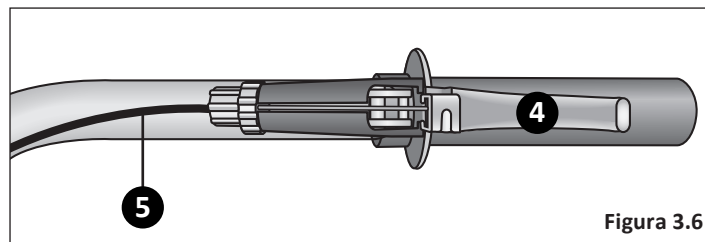
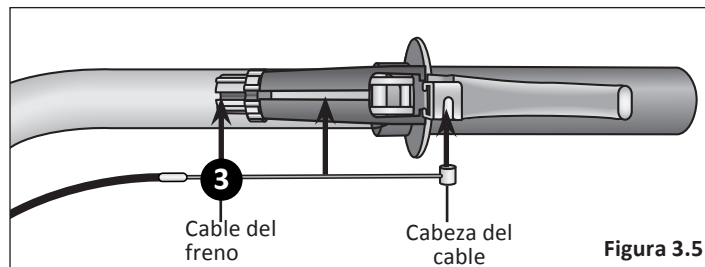
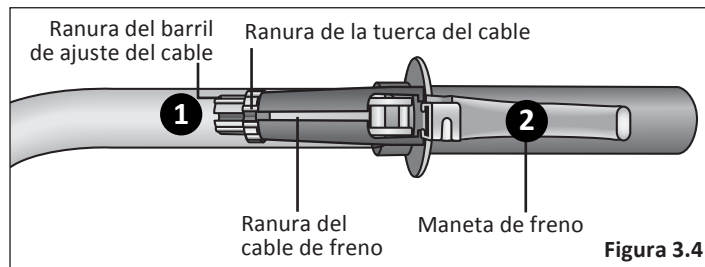
FIJE LOS CABLES DEL FRENO

Hay dos opciones de freno, *Pinza* y *Tracción lineal*.

Siga estos pasos si los cables de freno no están fijados a las manetas de freno:

- 1 Gire el barril de ajuste del cable y la tuerca del cable hasta que las ranuras estén alineadas con la ranura del cuerpo de la maneta de freno. **Figura 3.4**
- 2 Presione la maneta de freno hacia la empuñadura.
- 3 Deslice el cable del freno a través de las ranuras y coloque la cabeza del cable en la maneta de freno. **Figura 3.5**
- 4 Suelte la maneta de freno. **Figura 3.6**
- 5 Tire ligeramente del cable y gire la tuerca y el barril del cable para que ya no estén alineados.

Nota: *Sección 4: Ajuste los frenos* si es necesario.



FIJE EL GUARDABARROS Y LA RUEDA DELANTEROS

Hay dos tipos de conjuntos de guardabarros y rueda delanteros; *rueda atornillada con soporte plano del guardabarros* y *liberación rápida con soporte redondeado del guardabarros*.

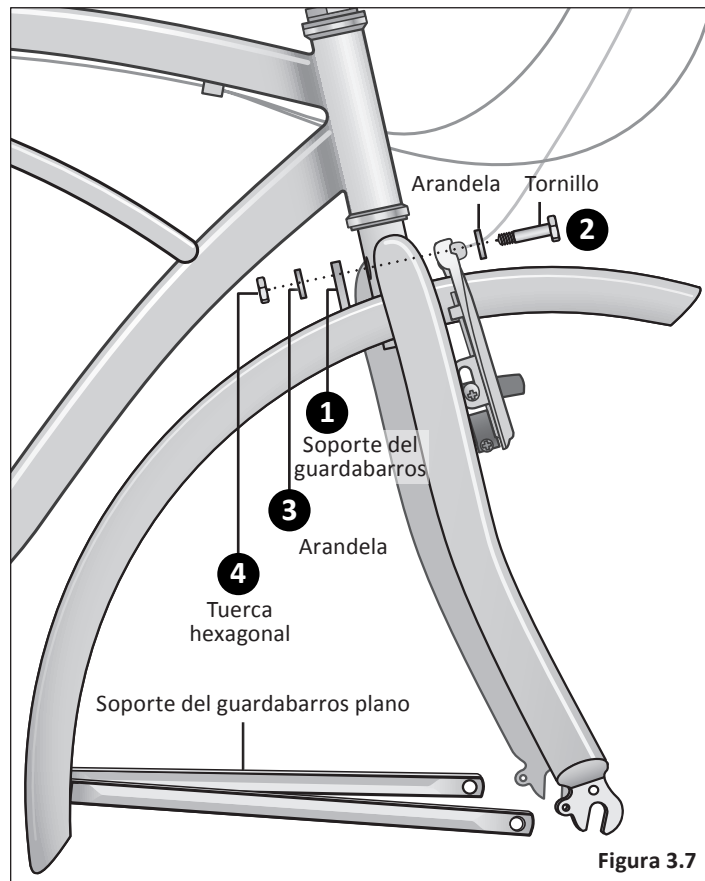
Nota: Las ruedas de liberación rápida pueden estar tanto en ambas ruedas como sólo en una. También, algunos dibujos de la banda de rodadura de la llanta tienen una dirección, así que compare las llantas delantera y trasera de la bicicleta para que ambos dibujos miren hacia el mismo lado.

Rueda delantera con tuerca con el soporte del guardabarros plano

- 1 Posicione el guardabarros delantero de modo que el soporte del guardabarros esté en el interior del cuadro. El guardabarros se fija en la corona de la horquilla. Alinee el orificio del soporte con el de la corona de la horquilla.

Figura 3.7

- 2 Coloque una arandela en el tornillo e inserte el tornillo a través de los orificios del soporte y de la corona de la horquilla.
- 3 Coloque una arandela en el tornillo.
- 4 Coloque una tuerca hexagonal en el tornillo y apriete.



- 5 Posicione la rueda delantera entre las patas de la horquilla delantera con el eje descansando dentro de la puntera de la horquilla. **¡Importante!** Asegúrese de que la rueda esté lo más **centrada** posible entre las patas de la horquilla.

Figura 3.8

- 6 Coloque la arandela de retención de clip en el eje y deslícela hacia arriba contra la puntera de la horquilla. Asegúrese de que el extremo curvo esté dentro del pequeño orificio de la puntera de la horquilla. **Figura 3.9**
- 7 Inserte el extremo de cada abrazadera del guardabarros sobre la arandela de retención de clip. **Figura 3.10**
- 8 Coloque las dos tuercas externas del eje y apriételas uniformemente. Apriete parcialmente un lado, luego apriete el otro lado y repita hasta que ambos lados estén firmemente apretados. Asegúrese de que la rueda se haya mantenido centrada entre las patas de la horquilla.
- 9 Si la rueda está descentrada, afloje la tuerca del eje del lado que tiene un espacio menor entre la llanta y la pata de la horquilla y use la mano para empujar la rueda a una posición centrada; sujete la rueda con una mano, apriete la tuerca del eje y revise de nuevo. Repita si es necesario para estar seguro de que la rueda esté centrada y bien apretada.

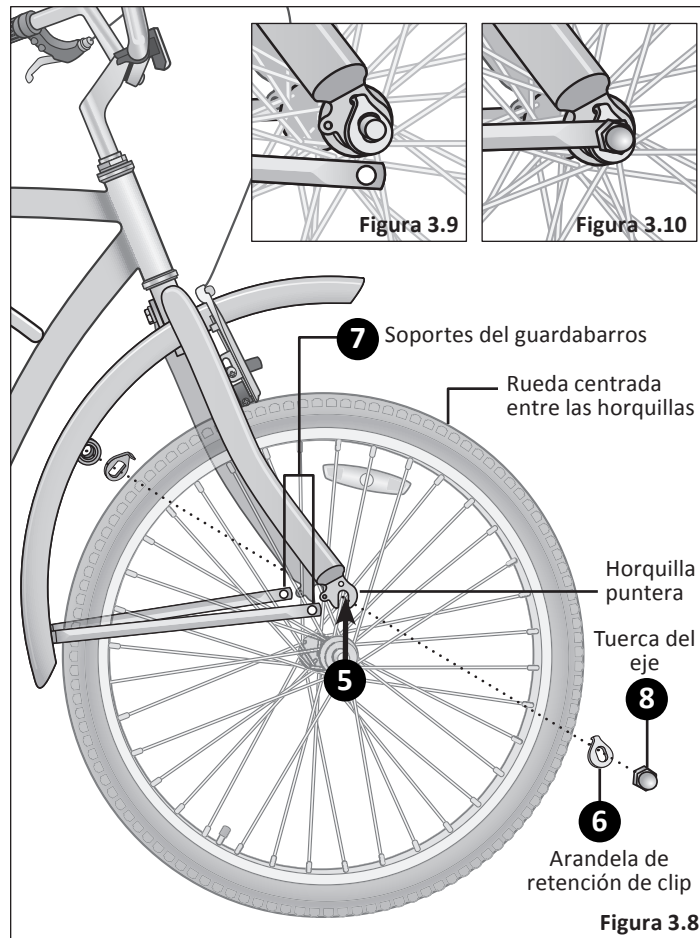


Figura 3.8

Rueda delantera de liberación rápida con el soporte del guardabarros redondo

Si tiene una **rueda delantera de liberación rápida con soporte de guardabarros redondo**, fije primero el guardabarros.

- 1 Posicione el guardabarros delantero de modo que el soporte del guardabarros esté en el interior del cuadro. El guardabarros se fija en la corona de la horquilla. Alinee el orificio del soporte con el de la corona de la horquilla. **Figura 3.11**
- 2 Coloque una arandela en el tornillo e inserte el tornillo a través de los orificios del soporte y de la corona de la horquilla.
- 3 Coloque una arandela en el tornillo.
- 4 Coloque una tuerca hexagonal en el tornillo y apriete.
- 5 Coloque los soportes del guardabarros redondo sobre el orificio pequeño de la parte posterior de la puntera de la horquilla.
- 6 Inserte los tornillos pequeños a través de la abrazadera del guardabarros redondo y atorníllelos en la puntera de la horquilla.
- 7 Coloque el guardabarros y apriete ligeramente los tornillos.
- 8 Fije la rueda y sujete firmemente el guardabarros en su lugar.

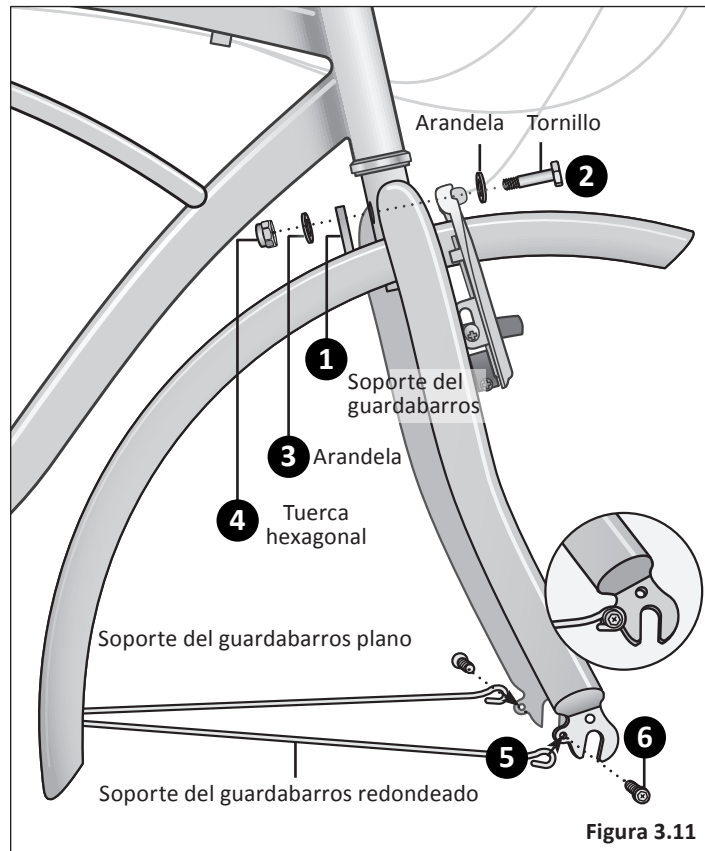


Figura 3.11

Rueda delantera de liberación rápida

⚠ ¡ADVERTENCIA!

- Todas las palancas de liberación rápida deben inspeccionarse antes de cada recorrido para estar seguros de que están totalmente cerradas y seguras. No cerrar correctamente una palanca de liberación rápida puede provocar la pérdida de control de la bicicleta dando como resultado lesiones o la muerte.
- Asegúrese de que la rueda esté correctamente asentada y la palanca de liberación rápida esté correctamente cerrada.

- 1 Algunos dibujos de la banda de rodamiento de la llanta tienen una dirección, así que compare las llantas delantera y trasera de la bicicleta para que ambos dibujos miren hacia el mismo lado.
- 2 Localice el cierre entre las piezas pequeñas de la caja de su bicicleta. **Figura 3.12**
- 3 Desatornille la tuerca de ajuste del cierre, quite el muelle externo y deslice el cierre a través del eje de la rueda delantera de modo que la palanca de liberación rápida esté del lado de la bicicleta **opuesto** a la cadena.
- 4 Deslice el muelle externo sobre el extremo del cierre. **Nota:** El extremo más pequeño debe estar adentro hacia la rueda.

- 5 Comience a enroscar la tuerca de ajuste nuevamente en el cierre, pero no la apriete demasiado. Deje suficiente holgura para que pueda colocar el eje en la puntera de la horquilla.
- 6 Deslice la rueda en las ranuras de las punteras de la horquilla. **Nota:** Si tiene una rueda con frenos de disco, inserte el rotor de disco en el centro del freno de disco al mismo tiempo que inserta el eje de la rueda en la puntera de la horquilla.

¡Importante! centrada posible entre las patas de la horquilla.

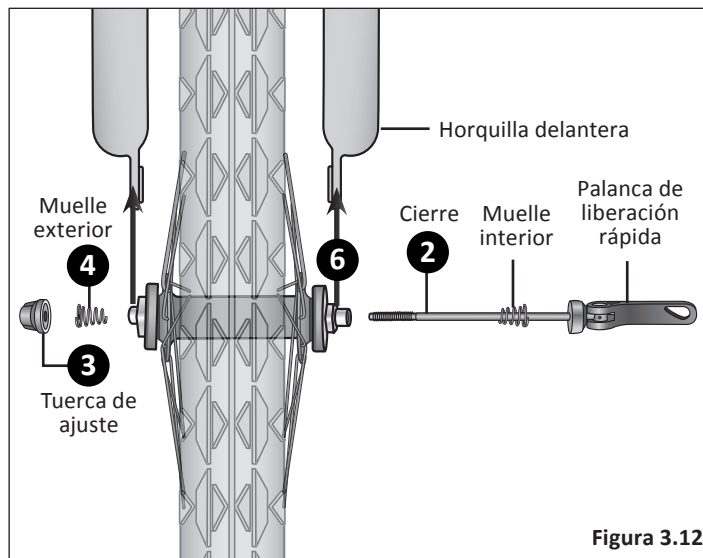


Figura 3.12

3 Ensamblado

- 7 Mueva la palanca de liberación rápida a la posición de **abierta**. Con una mano sobre la palanca de liberación rápida y otra en la tuerca de ajuste, empiece a apretar la tuerca de ajuste a mano hasta que comience a sentir cierta resistencia contra la horquilla. **Figura 3.13**
- 8 Intente cerrar la palanca de liberación rápida. Si se cierra fácilmente, ábrala y apriete más la tuerca de ajuste. Si se cierra con demasiada dificultad, abra la palanca de liberación rápida, afloje la tuerca de ajuste un poco y vuelva a intentarlo. **No** intente apretar girando la palanca

de liberación rápida. La palanca de liberación rápida es para cerrar, la tuerca de ajuste es para ajustar la tensión.

¡Importante! Al cerrar la palanca de liberación rápida debe sentir una resistencia que debe dejarle una impresión temporal en los dedos. Abra y cierre la palanca para estar seguro de que la rueda está bien bloqueada en su lugar.

- 9 Vuelva a verificar que el manillar esté perpendicular a la rueda delantera. Ajustelo si se requiere.

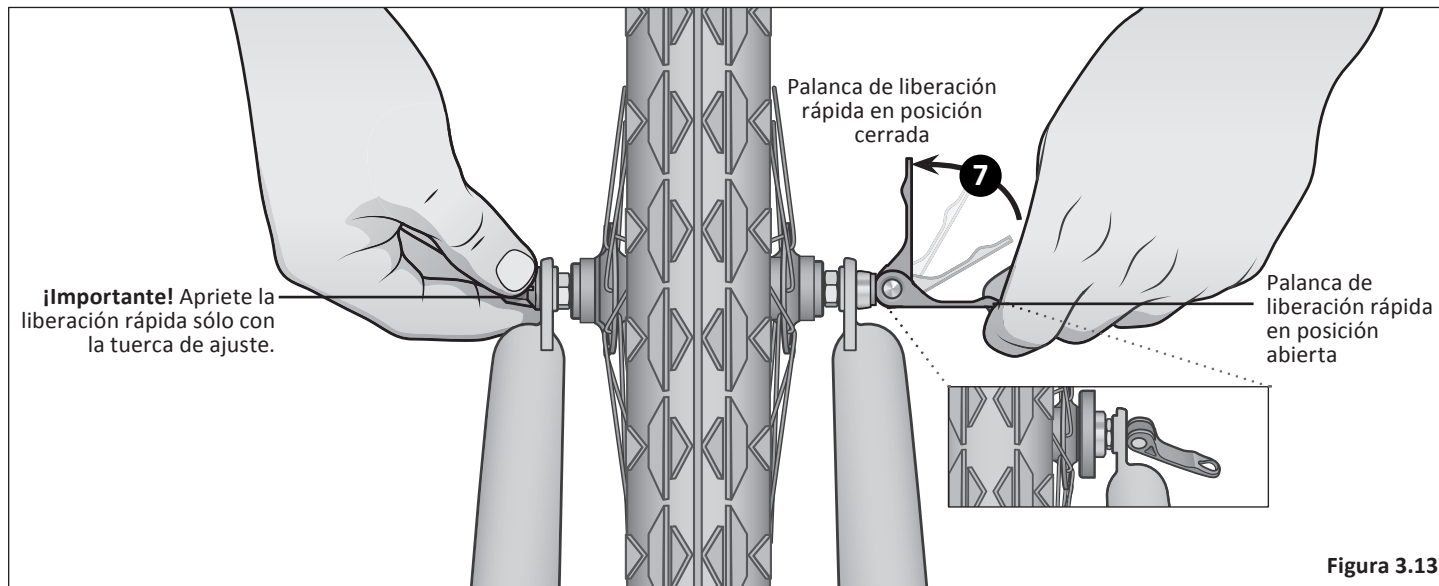


Figura 3.13

INSTALAR EL SILLÍN

⚠ ¡ADVERTENCIA!

Una altura del sillín incorrectamente ajustada puede afectar la capacidad del ciclista para alcanzar el manillar y los pedales, lo que puede ocasionar un movimiento inesperado, pérdida de control y lesiones graves o la muerte. Siga estas directrices para ajustar la altura del sillín. Asegúrese siempre de que la **marca de inserción mínima** de la tija del sillín esté por debajo de la abrazadera del sillín y **no** se vea. Asegúrese de que la abrazadera del sillín esté bloqueada y que éste no se pueda mover.

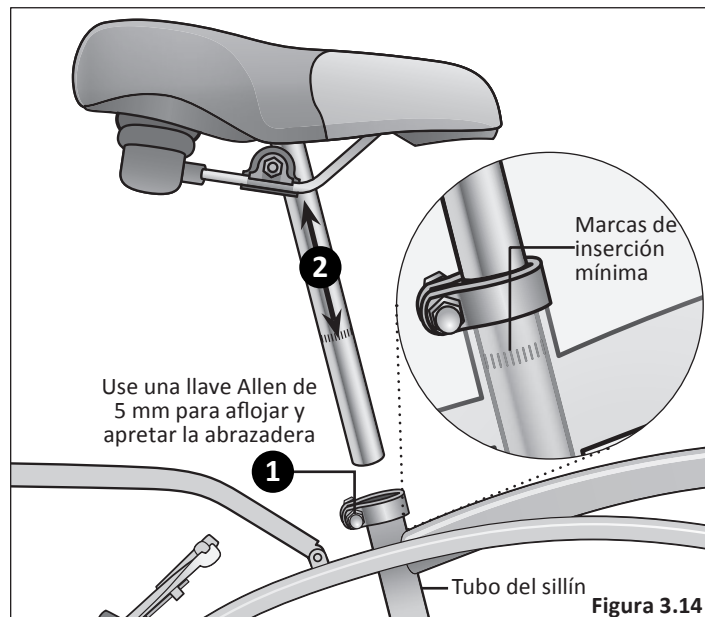
Hay dos clases de abrazaderas del sillín: **atornillada** y **de liberación rápida**, y dos tipos de tijas del sillín **estándar** y **de micro-ajuste**. El conjunto del sillín debe ajustarse con el sillín centrado en los rieles y a nivel. Es aconsejable añadir algo de grasa a todas las roscas y fijadores de la bicicleta, especialmente en el exterior de la tija del sillín. De lo contrario se pueden oxidar con el tiempo y no poderse ajustar nuevamente.

Abrazadera del sillín atornillada

- 1 Afloje el perno de la abrazadera del sillín con una llave Allen de 5 mm e inserte la tija del sillín en el tubo del sillín. **Figura 3.14**
- 2 Ajuste la altura del sillín hacia arriba o abajo hasta que el ciclista sienta que tiene el control de la bicicleta y esté cómodo.

Importante! Asegúrese de que **las marcas de inserción mínima** no pasen la parte superior de la abrazadera del sillín y **no sean** visibles. Vea **Sección 1, Fig. 1.2: Altura del sillín y alcance del manillar**.

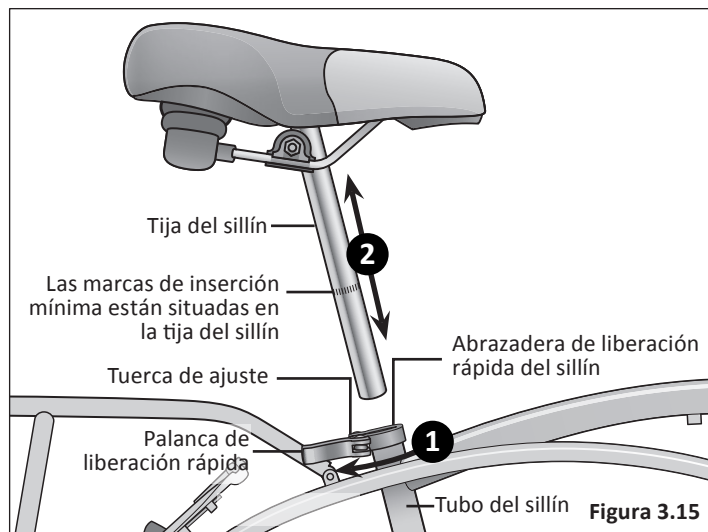
- 3 Apriete el perno de la abrazadera del sillín y bloquee el sillín en su lugar.
- 4 Compruebe el sillín para asegurarse de que no se mueve.



Abrazadera de liberación rápida del sillín

- 1 Accione la palanca de liberación rápida e inserte la tija del sillín en el tubo del sillín. **Figura 3.15**
- 2 Ajuste la altura del sillín hacia arriba o abajo hasta que el ciclista sienta que tiene el control de la bicicleta y esté cómodo.

¡Importante! Asegúrese de que **las marcas de inserción mínima** no pasen la parte superior de la abrazadera del sillín y **no sean** visibles. Vea **Sección 1, Fig. 1.2: Altura del sillín y alcance del manillar.**

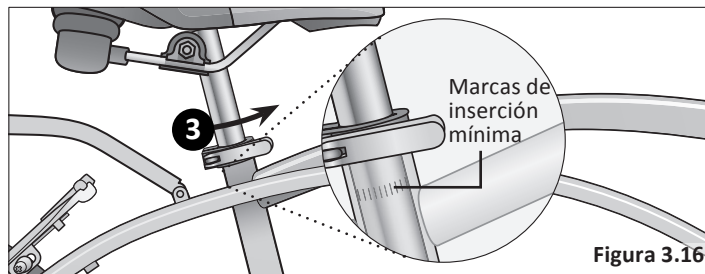


- 3 Cierre la palanca de liberación rápida y bloquee el sillín en su lugar. Si no hay suficiente presión para sujetar el sillín en su lugar, abra la palanca de liberación rápida. Con una mano sobre la palanca de liberación rápida y otra en la tuerca de ajuste, empiece a apretar la tuerca de ajuste hasta que comience a sentir cierta resistencia contra la abrazadera de la tija del sillín. **No** intente apretar girando la palanca de liberación rápida. La palanca de liberación rápida es para cerrar, la tuerca de ajuste es para ajustar la presión.

Figura 3.16

- 4 Intente cerrar la palanca de liberación rápida. Si se cierra fácilmente, ábrala y apriete más la tuerca de ajuste. Si se cierra con demasiada dificultad, abra la palanca de liberación rápida, afloje la tuerca de ajuste un poco y vuelva a intentarlo.

¡Importante! Al cerrar la palanca de liberación rápida debe sentir una resistencia que debe dejarle una impresión temporal en los dedos. Abra y cierre la palanca para estar seguro de que el sillín está bloqueado de forma segura en su lugar.



FIJE LOS PEDALES

⚠ ¡ADVERTENCIA!

- El ajuste de un pedal incorrecto en una biela puede estropear el pedal y causar daños irreparables. Visualmente haga coincidir las pegatinas **R** y **L** del pedal y la biela antes de colocar los pedales. Antes de su primer recorrido, verifique que los pedales estén correctamente colocados.
- Es muy importante que compruebe el ajuste y la tirantez correctos del conjunto de la biela antes de montar su bicicleta.

- 1 Haga coincidir el pedal marcado R con la biela derecha y haga coincidir el pedal marcado L con la biela izquierda.
Figura 3.17
- 2 Coloque el pedal roscado en el orificio roscado de la biela.
- 3 A mano, gire lentamente el eje en la dirección correcta. Hacia la derecha para el pedal derecho y hacia la izquierda para el izquierdo. **¡Importante!** ¡Pare si percibe resistencia! Esto puede ser una indicación de que el eje está entrando en ángulo en el orificio. Retire el eje y repita los pasos dos y tres.
- 4 Si el eje está entrando correctamente en el orificio, utilice una llave de 15 mm o alicates para apretarlo completamente.
- 5 Repita los pasos 1 al 4 para el pedal restante.

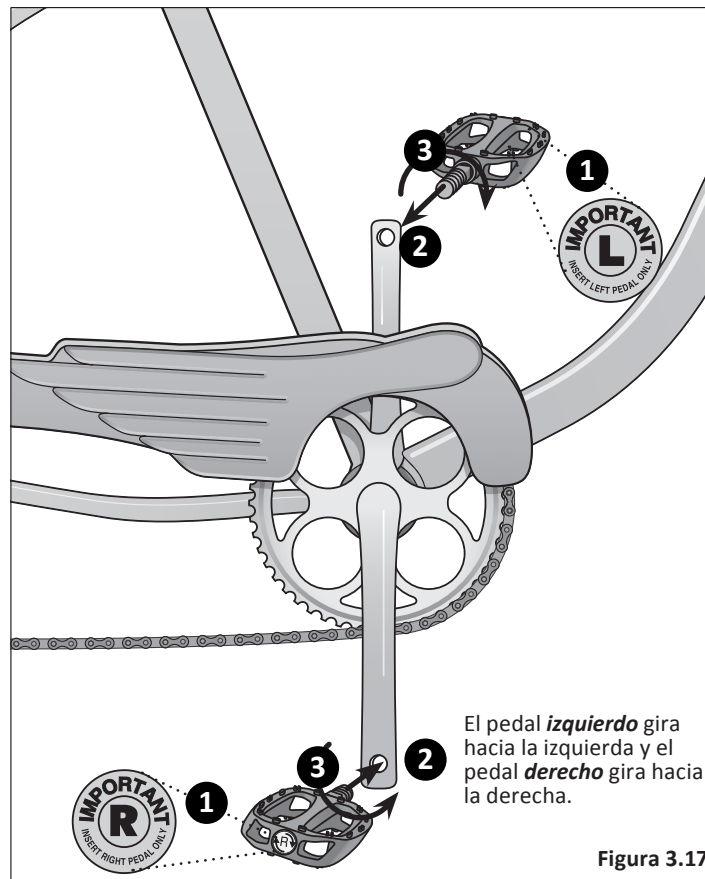


Figura 3.17

FIJE LA CESTA

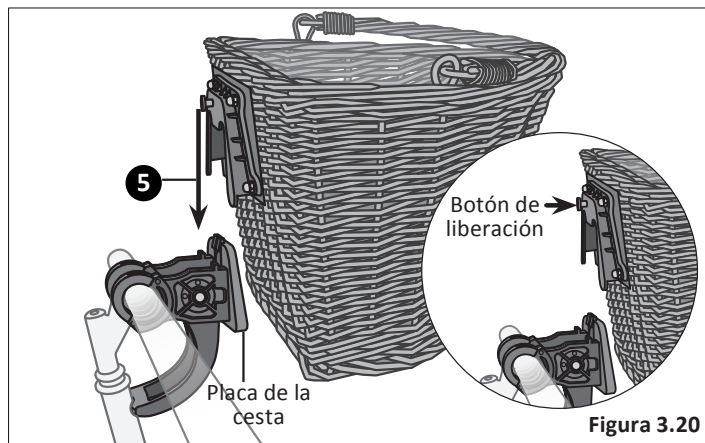
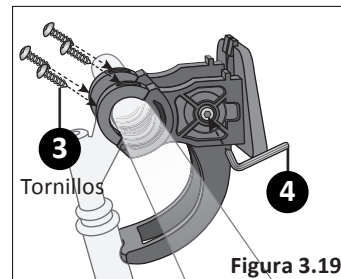
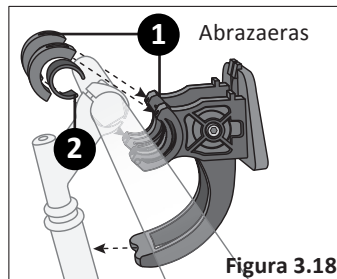
⚠ ¡ADVERTENCIA!

No fijar de modo seguro la cesta en la bicicleta puede provocar que se caiga y cause un accidente dando como resultado lesiones graves o la muerte. Asegúrese siempre de que la cesta esté segura antes de montar en la bicicleta. No lleve animales domésticos en la cesta ni cargue más de 10 libras. (4.5 kg).

Nota: No todas las bicicletas vendrán equipadas con cestas

- 1 Coloque el soporte de montaje en el manillar de modo que las abrazaderas estén a ambos lados de la potencia y la placa de la cesta esté mirando hacia delante. La abrazadera inferior debe ajustarse apretadamente contra la bicicleta. **Figura 3.18**
- 2 Asegúrese de que las abrazaderas tengan un ajuste apretado contra el manillar. Utilice las calzas proporcionadas según sea necesario para crear el ajuste correcto.
- 3 Alinee los orificios de la abrazadera con los orificios de montaje del soporte e inserte los tornillos. Apriete los cuatro tornillos uniformemente. **Figura 3.19**
- 4 Para ajustar el ángulo de la cesta, use una llave Allen de 4 mm en el perno del lado del soporte. Una vez ajustado al ángulo correcto, apriételo para fijarlo.

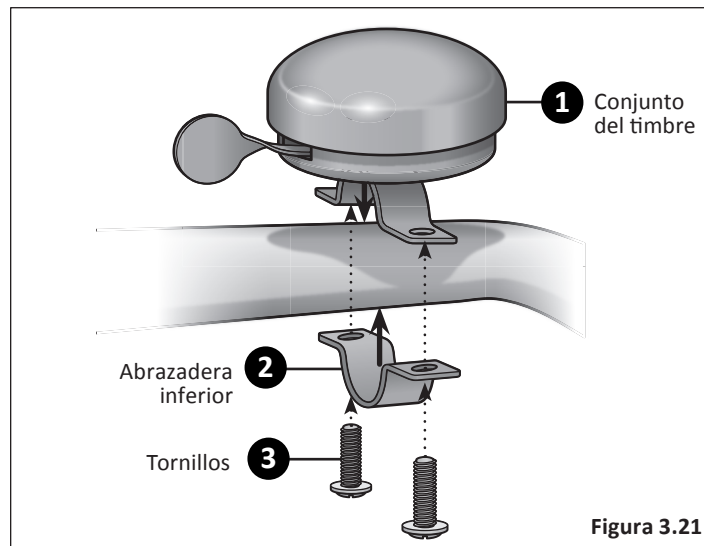
- 5 Para fijar la cesta, presiónela contra la placa hasta que encaje en su lugar. Para quitar la cesta, pulse el botón de liberación rojo ubicado en el soporte de la misma y levántela. **Figura 3.20**



FIJE EL TIMBRE

Nota: No todas las bicicletas vendrán equipadas con un timbre.

- 1 Coloque el conjunto del timbre en lo alto del manillar.
Figura 3.21
- 2 Coloque la abrazadera inferior bajo el manillar, alineando los orificios de la abrazadera inferior con los de la superior.
- 3 Inserte los tornillos en los orificios de la abrazadera inferior y en los de la superior, y apriételos con un destornillador de estrella.

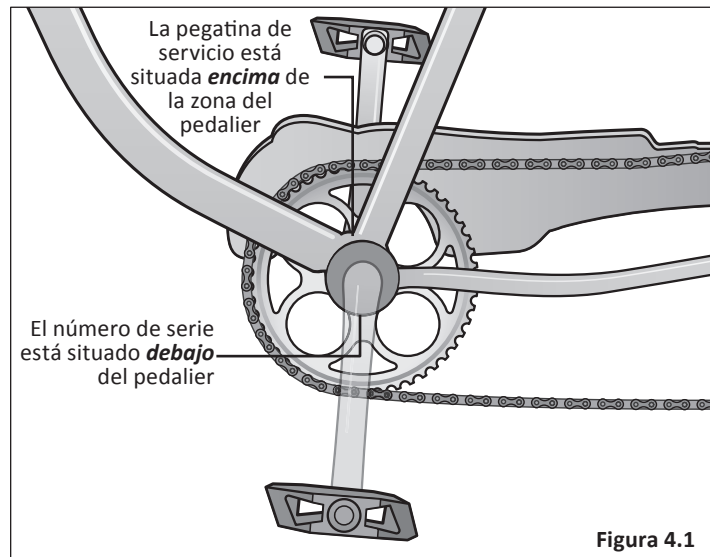


4 Ajustes

Deberá hacer ajustes después de que esté montada su bicicleta. Si necesita piezas de repuesto o tiene preguntas relativas al montaje de su bicicleta, llame a la línea de servicio directo al: **1-800-626-2811**. De lunes a viernes de 8:00 am a 5:00 pm horario estándar central (CST).

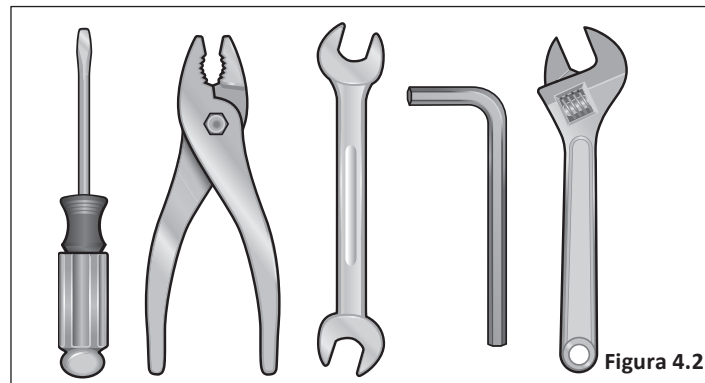
Nota: Necesitará el número del modelo y el código de fecha ubicados en la pegatina de servicio cerca de la zona del pedalier.

Figura 4.1



HERRAMIENTAS NECESARIAS

- Destornillador de estrella
- Llave Allen de 2,5 mm, 4 mm, 5 mm, 6 mm y 8 mm
- Llave inglesa ajustable o llaves abiertas y cerradas de 9 mm, 10 mm, 14 mm y 15 mm
- Un par de alicates con capacidad para cortar cable



AJUSTAR LOS FRENOS

⚠ ¡ADVERTENCIA!

No fijar apropiadamente los frenos puede dar como resultado la incapacidad de detener el movimiento de la bicicleta y ocasionar lesiones graves o la muerte. Asegúrese de que los frenos funcionan correctamente antes de usar la bicicleta.

Ajuste de frenos de tracción lineal

Conecte el cable del freno al transportador del freno

- 1 Apriete los dos brazos del freno uniéndolos hasta que las zapatas del freno toquen el rin. **Figura 4.3**
- 2 Con la otra mano, tire del cable del freno e inserte el extremo del "fideo" dentro del transportador del freno.

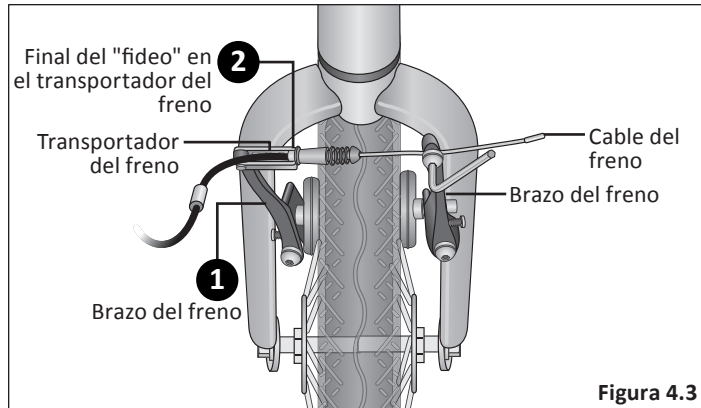


Figura 4.3

Ajustar las zapatas del freno

- 3 Revise que el cable del freno esté asentado en la maneta de freno. Usando una llave Allen de 5 mm, afloje el perno de anclaje del cable lo suficiente para que el cable del freno se pueda mover libremente. **Figura 4.4**
- 4 Tire del cable de freno a través del anclaje del cable para que el brazo del freno izquierdo se mueva hacia el rin y haya aproximadamente un espacio de 1/8" (3 mm) entre la zapata de freno y el rin.
- 5 Mueva el brazo del freno derecho hacia el rin hasta que haya aproximadamente un espacio de 1/8" (3 mm) entre la zapata y el rin.
- 6 Usando la llave Allen de 5 mm, apriete firmemente el perno de anclaje del cable completamente.

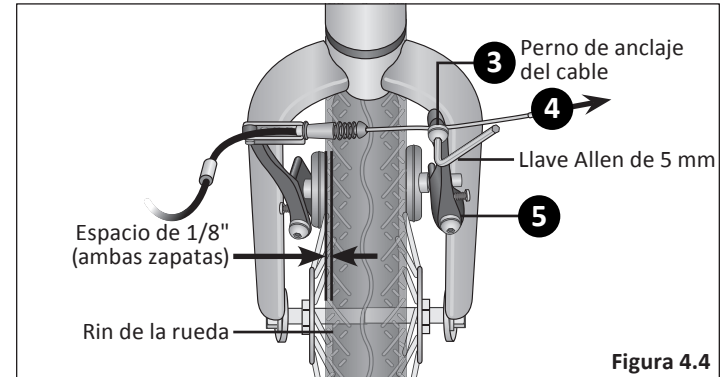


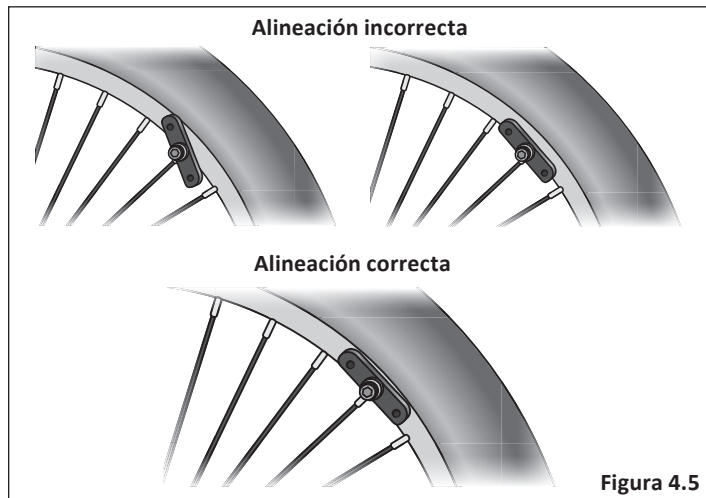
Figura 4.4

4 Ajustes

¡Importante! Antes de montar en la bicicleta es importante revisar los frenos. Si aprieta la maneta de freno y uno de los brazos del freno se mueve más que el otro (o no se mueve en absoluto), el freno no está centrado. Tendrá que ajustar las zapatas del freno. Pueden ser necesarios varios ajustes para centrar las zapatas del freno, ajustar correctamente la presión de los frenos y establecer el espacio entre la zapata y el rin.

Ajuste la alineación de las zapatas del freno

Compruebe que todas las zapatas del freno estén correctamente alineadas. Si no, utilice una llave Allen de 5 mm y afloje el perno lo suficiente como para poder repositonar la zapata. Posicione la zapata de modo que

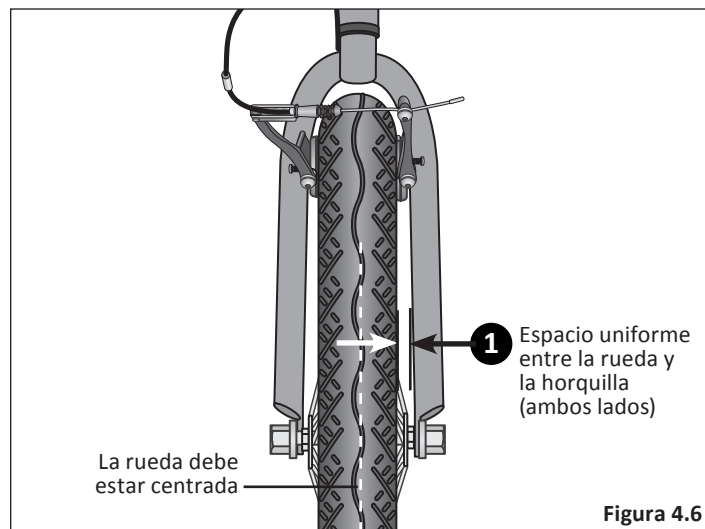


esté uniformemente centrada en el rin. Apriete de nuevo el perno después de posicionar la zapata correctamente. **Figura 4.5**

Centre las zapatas del freno

Gire la rueda y mire recto hacia abajo al espacio entre el rin, las zapatas del freno y la horquilla. Si encuentra que el espacio entre éstos es desigual, indica que la rueda, las zapatas del freno o ambas no están centradas.

- 1 Si ve que el espacio entre la horquilla y la rueda es desigual, afloje las tuercas del eje y ajuste la rueda hasta que esté centrada. **Figura 4.6**



- 2 Si el espacio entre la zapata del freno y la rueda es desigual, ajuste la posición de la zapata del freno.
- Utilizando un destornillador de estrella, ajuste los tornillos de ambos lados del brazo de freno. **Nota:** Girar el tornillo hacia *laderecha* separa la zapata del rin. Girar el tornillo hacia *laizquierda* acerca la zapata al rin. **Figura 4.7**
 - Empiece con el lado donde la zapata esté más cerca del rin o no se mueva correctamente. Gire el tornillo para acercar o separar la zapata del rin.
 - Los ajustes de estos tornillos deben hacerse en pequeños incrementos, de un cuarto de vuelta a media vuelta, y comprobarse luego activando la maneta de freno tres o cuatro veces después de cada ajuste. Si continúa ajustando el tornillo hasta que tenga un movimiento perceptible, se quedará sin ajuste.
- 3 Apriete y suelte la maneta de freno unas cuantas veces y compruebe si están centradas las zapatas.
- 4 Si es necesario, repita los pasos del uno al tres hasta que las zapatas del freno estén centradas y el espacio entre ellas y el rin esté cerca de 1/8 de pulgada.

Nota: Si se queda sin capacidad de ajuste de un lado, ajuste el tornillo del lado opuesto. Si se queda sin capacidad de ajuste en ambos tornillos, haga un pequeño ajuste en el cable del freno. Los ajustes deben hacerse a ambos lados tan iguales como sea posible para evitar quedarse sin capacidad de ajuste.

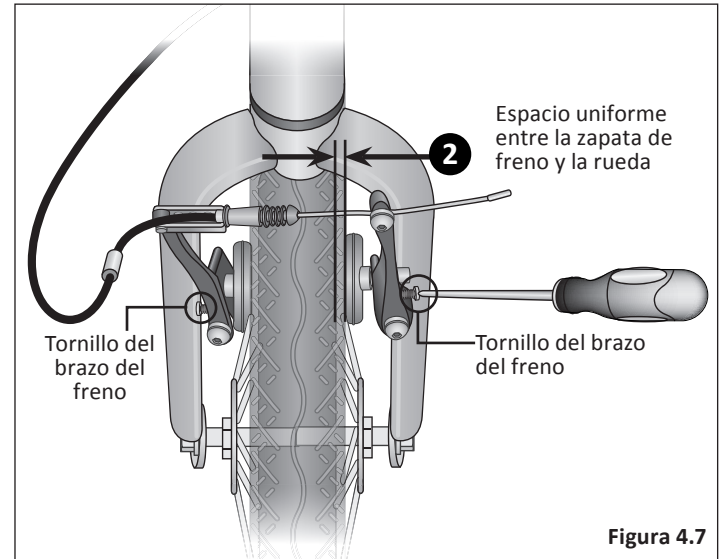


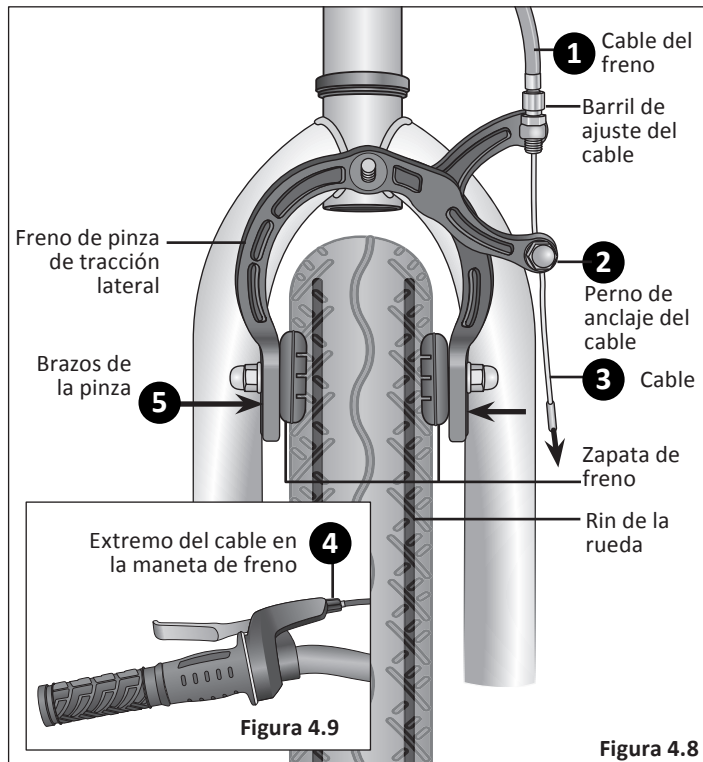
Figura 4.7

Ajuste del freno de pinza de tracción lateral

Conecte el cable del freno al transportador del freno

- 1 Si se desconecta el cable del freno en la pinza, haga pasar el cable de freno a través del barril de ajuste. **Figura 4.8**
- 2 Afloje el perno de anclaje del cable hasta que pueda ver un espacio lo suficientemente grande como para el alambre de cable.
- 3 Enrosque el cable a través del espacio. A mano, atornille el perno de anclaje del cable lo suficientemente cómodo para sostener el cable.
- 4 Compruebe que el extremo del cable esté asentado en la maneta de freno.
- 5 Con una mano, apriete los brazos de la pinza hasta que ambas zapatas del freno estén en contacto con el rin. Afloje el perno de anclaje del cable lo suficiente para permitir que el alambre de cable se mueva libremente.
- 6 Mientras sostiene la pinza cerrada, utilice la otra mano para apretar el cable del freno (a través de los pernos de anclaje del cable). Compruebe que el extremo del cable esté asentado en la maneta de freno y en el barril ajustador del freno.
- 7 Apriete el perno de anclaje del cable a mano tanto como pueda y luego, mientras continúa apretando los brazos de la pinza hasta que ambas zapatas del freno estén en contacto

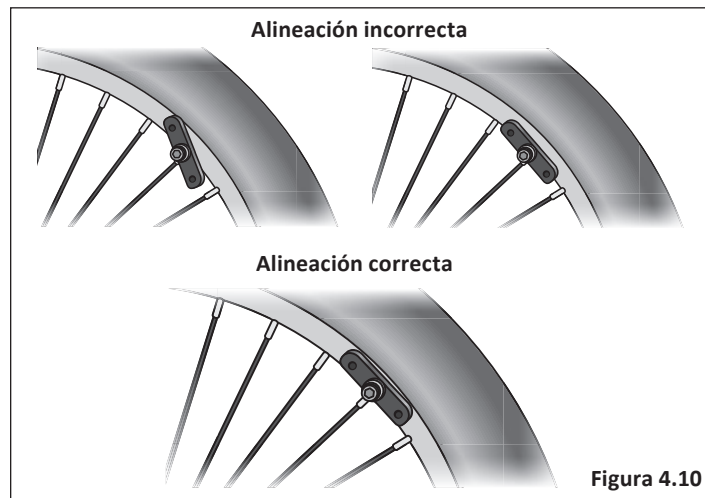
con el rin, apriete el perno de anclaje del cable completamente con una llave de 10 mm. **Nota:** Use el barril de ajuste para afinar la tensión del cable del freno. Girar el barril a la derecha aflojará la tensión del cable de freno, girarlo a la izquierda lo tensará. **Figura 4.9**



Ajustar las zapatas del freno

¡Importante! Antes de montar en la bicicleta es importante revisar los frenos. Si aprieta la maneta de freno y uno de los brazos del freno se mueve más que el otro (o no se mueve en absoluto), el freno no está centrado. Tendrá que ajustar las zapatas del freno. Pueden ser necesarios varios ajustes para centrar las zapatas del freno, ajustar correctamente la presión de los frenos y establecer el espacio entre la zapata y el rin.

- 1 Compruebe que todas las zapatas del freno estén correctamente alineadas. Si no, utilice una llave Allen de 5 mm y afloje el perno lo suficiente como para poder reposicionar la zapata. Posicione la zapata de modo

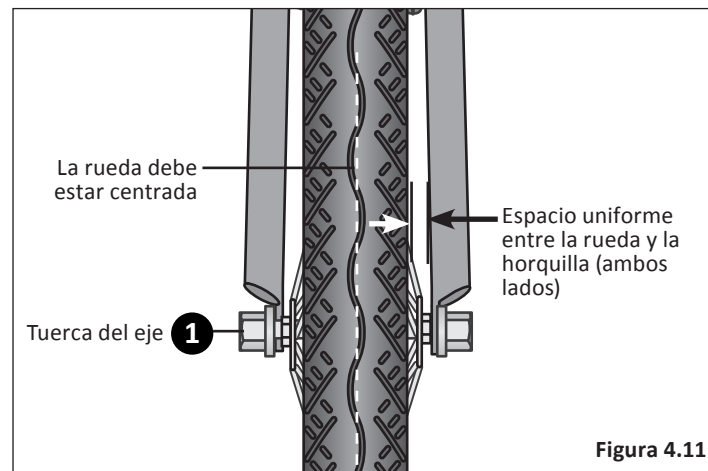


que esté uniformemente centrada en el rin. Apriete de nuevo el perno después de posicionar la zapata correctamente. **Figura 4.10**

Centre las zapatas del freno

Gire la rueda y mire recto hacia abajo al espacio entre el rin, las zapatas del freno y la horquilla. Si encuentra que el espacio entre éstos es desigual, indica que la rueda, las zapatas del freno o ambas no están centradas.

- 1 Si ve que el espacio entre la horquilla y la rueda es desigual, afloje las tuercas del eje y ajuste la rueda hasta que esté centrada. **Figura 4.11**



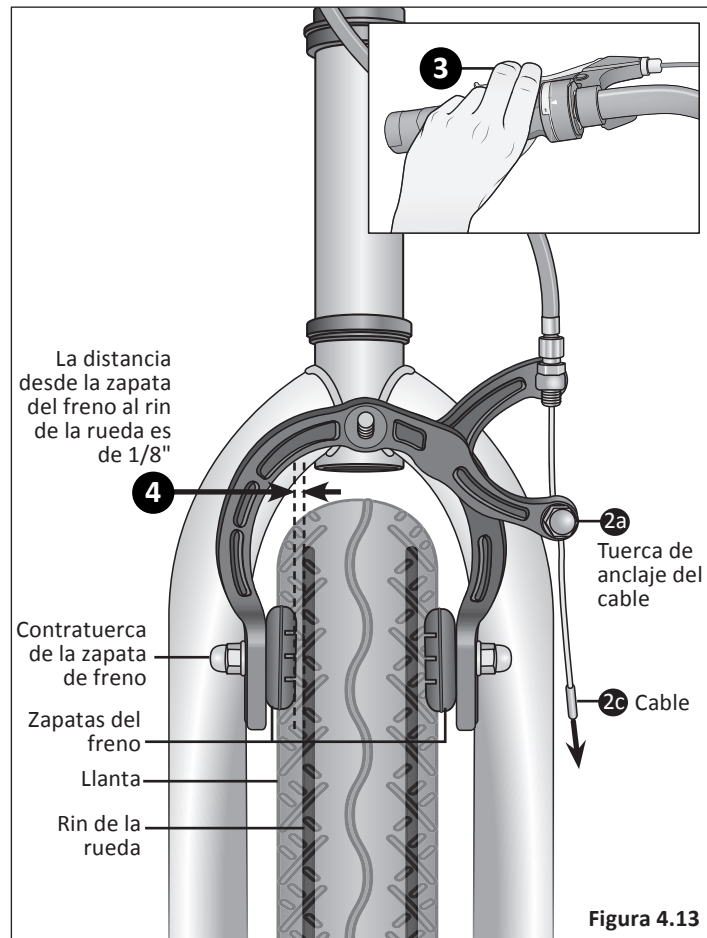
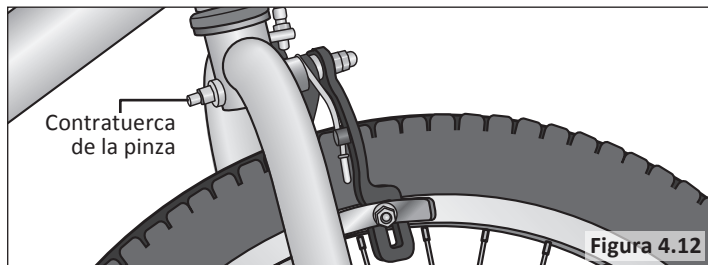
4 Ajustes

- 2 Si el espacio entre la zapata de freno y la rueda es desigual, ajuste la tensión del freno. **Figura 4.13**

- 2a Afloje la tuerca de anclaje del cable.
- 2b Con una sola mano, apriete las zapatas del freno contra el rin.
- 2c Tire del cable para que no esté holgado.
- 2d Mientras mantiene la tensión en el cable, apriete la tuerca e anclaje del cable.

Nota: Mire el freno por si comienza a moverse o girar, luego suelte la maneta de freno y use la mano para girar la pinza de freno hasta que ambos lados del freno se muevan igualmente. A veces es necesario girar ligeramente el freno en exceso, de modo que al apretar la contra tuerca de la pinza, el freno se terminará centrando. **Figura 4.12**

- 3 Apriete y suelte la maneta de freno unas cuantas veces y compruebe si están centradas las zapatas.
- 4 Si es necesario, repita los pasos del uno al tres hasta que las zapatas del freno estén centradas y el espacio entre ellas y el rin esté cerca de 1/8 de pulgada.



Revise los frenos

- 1 Después de ajustar el freno, apriete la maneta de freno tan fuerte como pueda varias veces y vuelva a inspeccionar las zapatas del freno, el centrado y el recorrido de la maneta de freno. Si las zapatas del freno ya no están a escuadra con el rin, repita los ajustes de la zapata de freno. **Figura 4.14**
- 2 Asegúrese de que las zapatas del freno regresen a una posición centrada girando la rueda y escuchando si hay roce de la zapata de freno con el rin a cada lado. Vuelva a ajustar si es necesario.
- 3 Compruebe que la tensión del cable del freno permite a la maneta de freno aproximadamente 1/3 del recorrido antes de que las zapatas del freno entren en contacto con el rin. Si el cable se ha estirado o deslizado, vuelva a ajustar la tensión del cable del freno aflojando el perno de anclaje del cable y tirando de más cable a través del anclaje o use los barriles de ajuste del freno para un ajuste fino de la tensión del mismo.

El freno está correctamente ajustado cuando:

- Las zapatas del freno no arrastran sobre el rin cuando el freno está abierto. **Figura 4.15**
- Ambas zapatas se alejan del rin igualmente cuando se suelta el freno.
- Cuando se frena, las zapatas del freno entran en contacto con el rin antes de que la maneta de freno alcance aproximadamente 1/3 del camino al manillar.

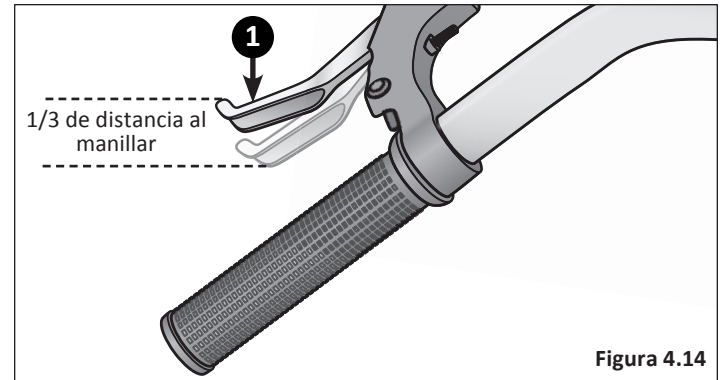


Figura 4.14

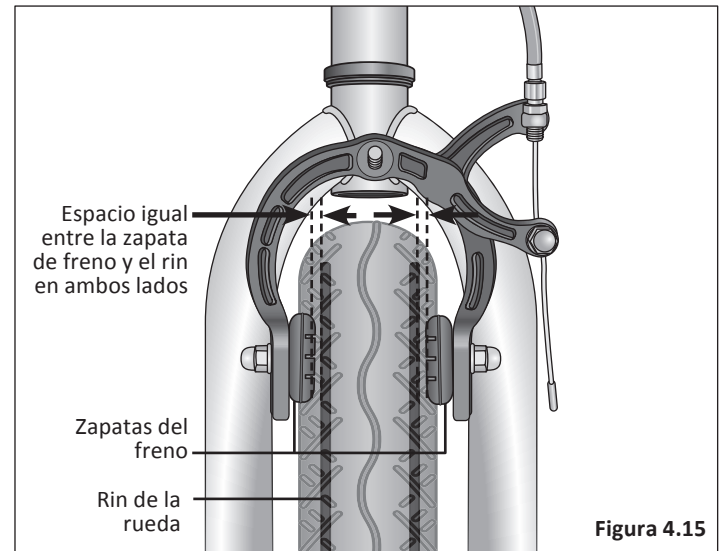


Figura 4.15

AJUSTAR EL CAMBIO TRASERO

⚠ ¡ADVERTENCIA!

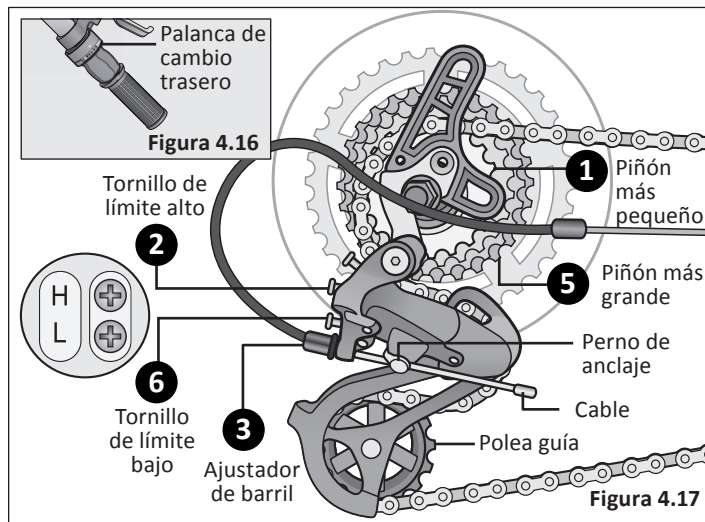
Asegúrese de que todos los pernos estén bien apretados y que la cadena no caiga en ninguna dirección.

Aunque inicialmente el cambio trasero está ajustado de fábrica, tendrá que inspeccionarlo y ajustarlo de nuevo antes de montar en la bicicleta.

Ajuste del cambio trasero

- 1 Comience desplazando la palanca de cambio trasero al mayor número indicado y coloque la cadena en el piñón más pequeño. **Figura 4.16**
- 2 Ajuste el tornillo de límite alto para que la polea guía y el piñón más pequeño estén alineados verticalmente. Gire el tornillo del límite alto a la derecha para alejar la polea del cuadro y hacia la izquierda para acercarla **Figura 4.17**
- 3 Haga cambios por los engranajes, asegurándose de que cada marcha se haga en silencio y sin titubeo. Si es necesario, utilice el barril ajustador para afinar cada engranaje girándolo en la dirección que desee que vaya la cadena. Por ejemplo, girar hacia la derecha aflojará la tensión del cable y alejará la cadena de la rueda, mientras que girar en sentido contrario apretará la tensión del cable y dirigirá la cadena hacia la rueda.

- 4 Desplace la palanca de cambio trasero hacia el engranaje uno y coloque la cadena en el piñón más grande.
- 5 Ajuste el tornillo de límite bajo en incrementos de un cuarto de giro hasta que la polea guía y el piñón más grande estén verticalmente alineados. Gire el tornillo de límite bajo hacia la derecha para mover la polea más cerca del cuadro; hacia la izquierda para alejar la polea del cuadro.
- 6 Otra vez, cambie por todos los engranajes varias veces, comprobando que cada cambio se consigue sin problemas. Puede requerir varios intentos antes de que el cambio trasero y el cable se ajusten correctamente.



AJUSTAR LA ALTURA DEL SILLÍN

⚠ ¡ADVERTENCIA!

La altura del sillín incorrectamente ajustada puede afectar la capacidad del ciclista para alcanzar el manillar y los pedales, lo que puede ocasionar un movimiento inesperado, pérdida de control y lesiones graves o la muerte. Siga estas directrices para ajustar la altura del sillín. Asegúrese siempre de que la **marca de inserción mínima** de la tija del sillín esté por debajo de la abrazadera del sillín y **no** se vea. Asegúrese de que la abrazadera del sillín esté bloqueada y que éste no se pueda mover.

Abrazadera del sillín atornillada

- 1 Usando una llave Allen de 5 mm, afloje el perno de la abrazadera del sillín. **Figura 4.18**
- 2 Ajuste la altura del sillín hacia arriba o abajo hasta que el ciclista sienta que tiene el control de la bicicleta y esté cómodo.

¡Importante! Asegúrese de que **las marcas de inserción mínima** no pasen la parte superior de la abrazadera del sillín y **no sean** visibles. Vea **Sección 1, Fig. 1.2: Altura del sillín y alcance del manillar**.

- 3 Apriete el perno de la abrazadera del sillín y bloquee el sillín en su lugar.
- 4 Compruebe el sillín para asegurarse de que no se mueve.

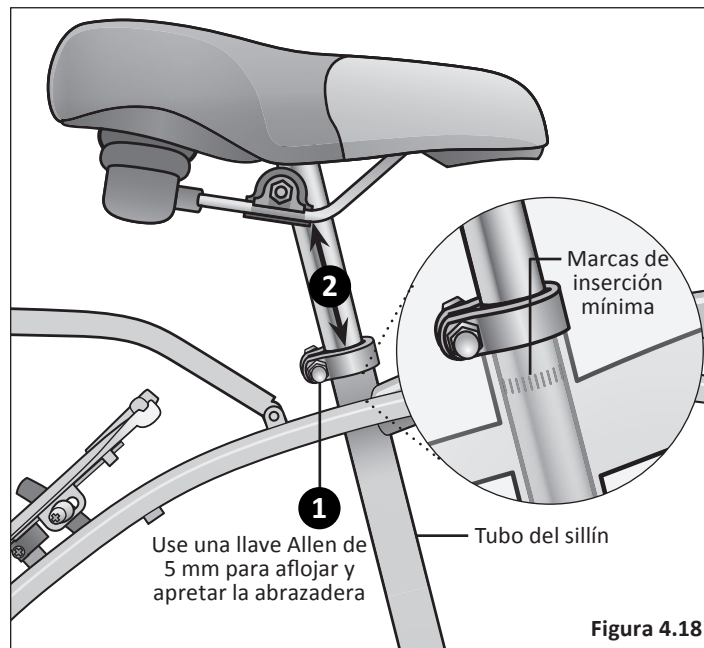


Figura 4.18

Abrazadera de liberación rápida del sillín

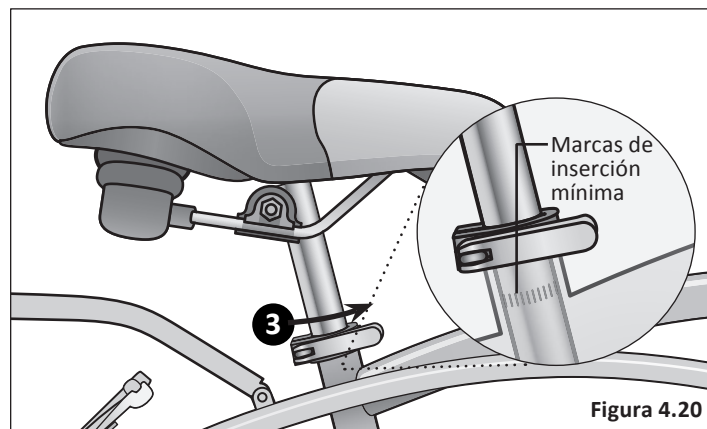
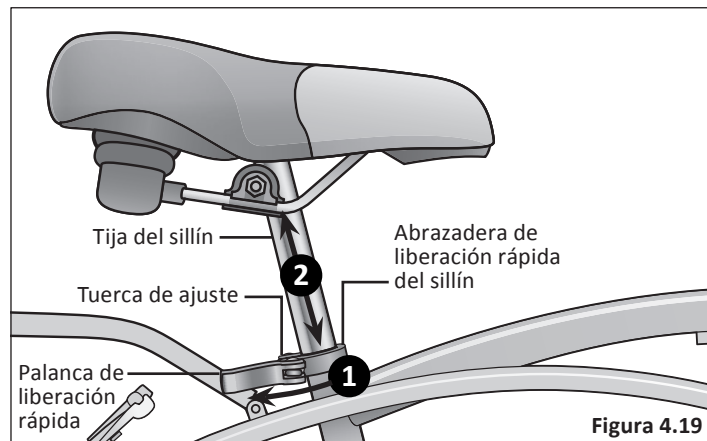
❶ Desbloquee la palanca de liberación rápida. **Figura 4.19**

❷ Ajuste la altura del sillín hacia arriba o abajo hasta que el ciclista sienta que tiene el control de la bicicleta y esté cómodo.

¡Importante! Asegúrese de que **las marcas de inserción mínima** no pasen la parte superior de la abrazadera del sillín y **no sean** visibles. Vea **Sección 1, Fig. 1.2: Altura del sillín y alcance del manillar**.

❸ Cierre la palanca de liberación rápida y bloquee el sillín en su lugar. Si no hay suficiente presión para sujetar el sillín en su lugar, abra la palanca de liberación rápida. Con una mano sobre la palanca de liberación rápida y otra en la tuerca de ajuste, empiece a apretar la tuerca de ajuste a mano hasta que comience a sentir cierta resistencia contra la horquilla. **No** intente apretar girando la palanca de liberación rápida. La palanca de liberación rápida es para cerrar, la tuerca de ajuste es para ajustar la presión. **Figura 4.20**

❹ Intente cerrar la palanca de liberación rápida. Si se cierra fácilmente, ábrala y apriete más la tuerca de ajuste. Si es muy difícil de cerrar, abra la palanca de liberación rápida, afloje la tuerca de ajuste un poco y vuelva a intentarlo. **¡Importante!** Al cerrar la palanca de liberación rápida debe sentir una resistencia que debe dejar una impresión temporal en sus dedos. Abra y cierre la palanca para estar seguro de que el sillín está bloqueado de forma segura en su lugar.



AJUSTE DEL MANILLAR

⚠ ¡ADVERTENCIA!

- Una fijación incorrecta del manillar puede dar como resultado un daño al poste de la potencia o del tubo de dirección y provocar la pérdida de control, lesiones graves o la muerte. Asegúrese de que **las marcas de inserción mínima** del poste de la potencia **no sean** visibles por encima de la parte superior del juego de dirección.
- No apretar correctamente los componentes del manillar puede dar como resultado la pérdida del control, lesiones graves o la muerte. Compruebe siempre que el manillar no se pueda mover y que esté fijado al cuadro antes de montar en la bicicleta.

Ajuste de la altura del manillar

Consulte la **sección 3: Fije el manillar** para obtener instrucciones sobre el ajuste de la altura del mismo.

Alinee el manillar

- 1 Póngase de pie frente al manillar y sujete la rueda delantera entre las piernas.
- 2 Usando una llave Allen de 6 mm, afloje el perno fijador de la potencia y mueva el manillar a izquierda o derecha hasta que quede alineado con la rueda delantera. **Figura 4.21**

- 3 Apriete el perno fijador de la potencia y compruebe que el manillar esté sujeto firmemente y no pueda moverse.

Ajuste el ángulo del manillar

- 1 Usando una llave Allen de 6 mm, afloje el perno o pernos de fijación del manillar.
- 5 Gire el manillar a la posición deseada. **Figura 4.21**
- 6 Compruebe que el manillar esté centrado con el cuadro y la rueda delantera. Siéntese en el sillín y compruebe que alcanza las empuñaduras, palancas de cambio y frenos. Consulte la **sección 1, Fig. 1.2: Altura del sillín y alcance del manillar** para ver los lineamientos.
- 7 Apriete el perno o pernos de fijación del manillar y compruebe que esté firmemente sujeto y no pueda moverse.

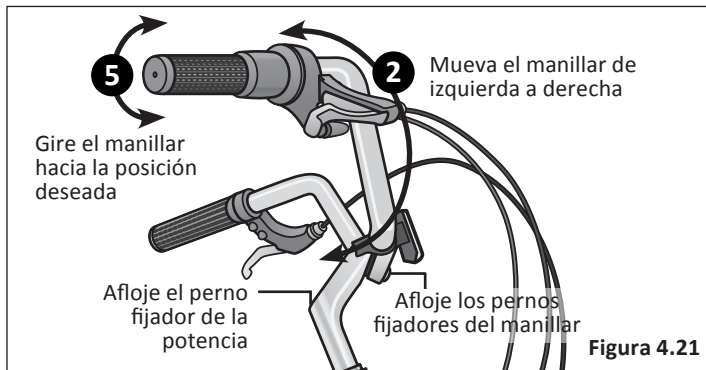


Figura 4.21

AJUSTE DEL JUEGO DE DIRECCIÓN

El juego de dirección es un conjunto de piezas que conectan la horquilla delantera y el tubo de dirección del cuadro. Es la interfaz rotacional que permite girar a la horquilla.

Ajuste del juego de dirección

Un juego de dirección típico con rosca consta de dos copas que se presionan en la parte superior e inferior del tubo de cabezal. Dentro de las dos copas hay rodamientos que proporcionan un contacto de baja fricción entre la copa del rodamiento y el tubo de dirección. El tubo corto a través del cual pasa el tubo de dirección de la horquilla se llama el tubo del cabezal.

Es necesario ajustar el juego de dirección si está demasiado flojo (temblores) o demasiado apretado (rigidez). **Nota:** Es posible que los rodamientos se desgasten o dañen, y causen rigidez. Puede ser necesario reemplazar las piezas.

Realice las siguientes comprobaciones para determinar si hay holgura en el juego de dirección:

- 1 Temblores:** Aplique el freno delantero y empuje el manillar hacia delante y hacia atrás, de delante a atrás o, si la bicicleta está en un soporte de montaje y se ha quitado la rueda delantera, empuje y tire de las horquillas. Si siente una sensación de golpeteo o "sonido metálico" significa que el juego de dirección está demasiado flojo. **¡Importante!** Sea cuidadoso con las horquillas de suspensión, porque las patas pueden tener holgura en los deslizadores. Agarre la parte superior de la horquilla. **Figura 4.22**

- 2 Rigidez:** Levante la parte delantera del cuadro para que la rueda delantera se separe del suelo. El manillar y la rueda deben tambalearse a un lado u otro. Si hay resistencia o se traba, el juego de dirección está demasiado apretado.

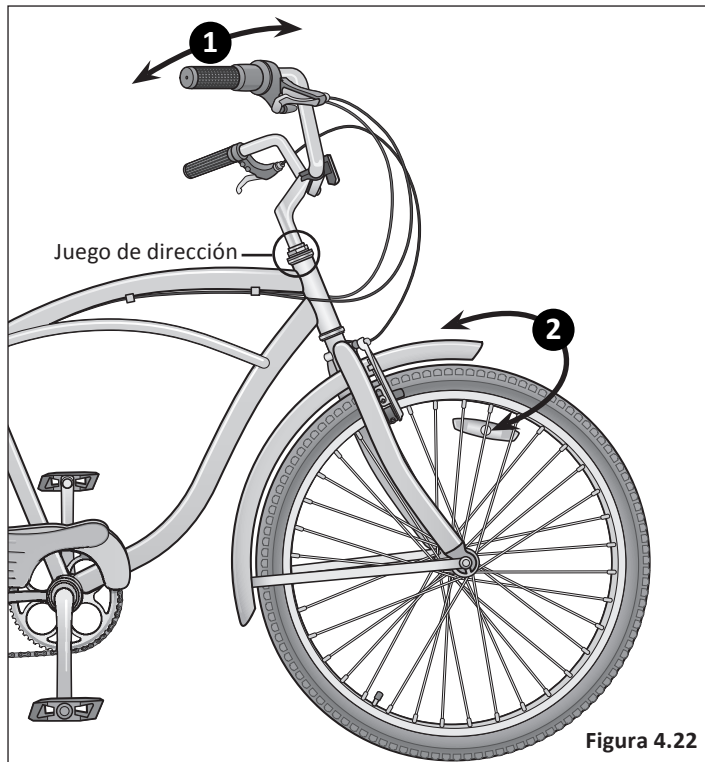
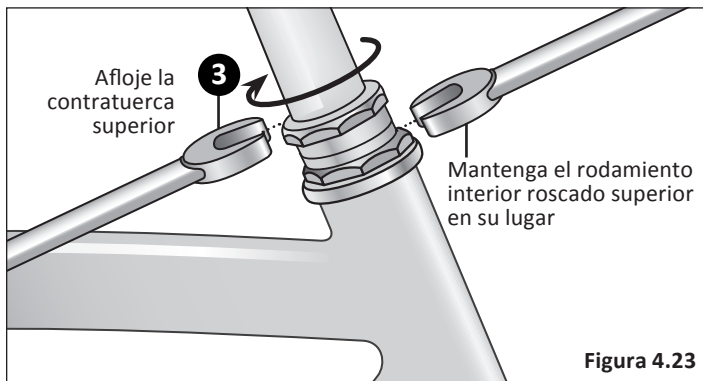
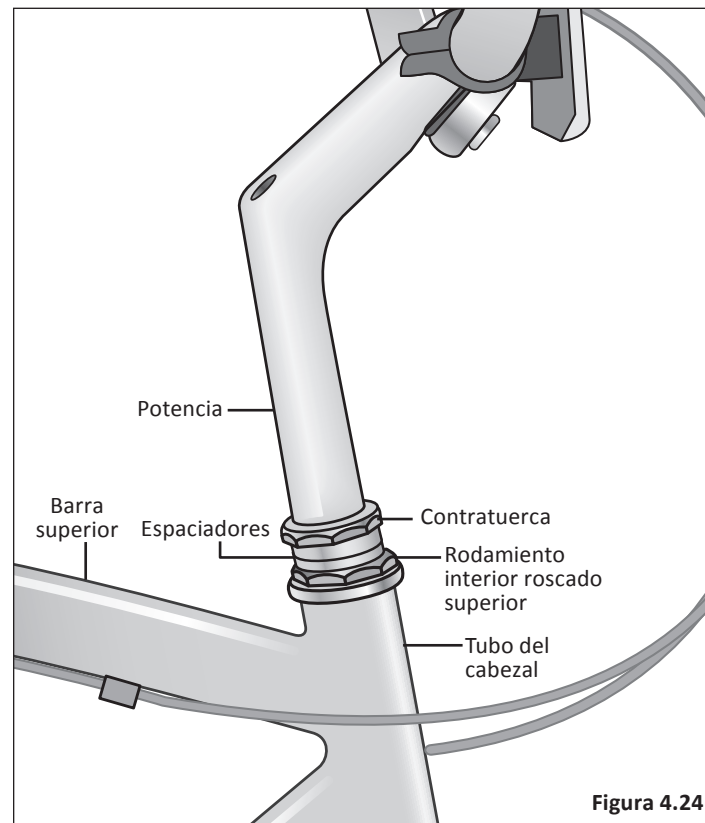


Figura 4.22

- 3 Con la rueda delantera apoyada en el suelo, use una llave ajustable o de estrella y mantenga la carrera superior enroscada en su lugar. **Figura 4.23**
- 4 Afloje la contratuerca hacia la derecha aproximadamente $1/32$ de vuelta.
Nota: La rueda delantera debe estar recta para evaluar el ajuste.
- 5 A mano, atornille el rodamiento interior superior roscado hasta que los rodamientos se empiecen a trabar. Entonces retroceda el rodamiento interior aproximadamente $1/8$ vuelta.
- 6 Apriete la contratuerca y compruebe que no haya temblores ni rigidez (es decir holgura) en el juego de dirección. Repita los pasos 3-6 hasta que no haya ninguna holgura en el juego de dirección.



Si no puede solucionarse la holgura en el juego de dirección con estos ajustes, vea a un **mecánico de bicicletas cualificado para hacer estas reparaciones.**



AJUSTE EL PEDALIER

Normalmente el pedalier contiene cuatro piezas principales: contratuercas, cono ajustable, rodamientos y arandelas. La contratuercas tiene muescas. El cono ajustable tendrá muescas para una llave inglesa o herramienta de pedalier. Los conos se pueden quitar y sustituir por separado. En cada cono ajustable se encuentra un juego de rodamientos de bolas redondos. Un rodamiento de bolas típico tiene 5/16" de diámetro y contiene nueve bolas. Este tipo de pedalier puede limpiarse, engrasarse y ajustarse.

Ajuste de los rodamientos

El concepto básico para ajuste del rodamiento es conseguir que los rodamientos se ajusten tan holgado como sea posible pero sin juego. Inicie deliberadamente comenzando con juego en el ajuste y después apretando en pequeños incrementos hasta que desaparezca el juego. **Nota:** El uso extendido puede causar que los rodamientos, copas (o conos) se desgasten y piquen. En este caso, no será posible el ajuste de los rodamientos. Si el pedalier está correctamente ajustado, pero rechina cuando gira, la copas o conos están desgastados y deben reemplazarse. **Figura 4.25**

- 1 Afloje la contratuercas. Gire el cono de ajuste hacia la izquierda hasta que toque el rodamiento, luego gírelo hacia la derecha 1/4 de vuelta para aflojarlo.
- 2 Fije la contratuercas.
- 3 Agarre el extremo de las bielas y balancéelo lateralmente para verificar el juego. Si hay juego, afloje la contratuercas y

gire ligeramente hacia la izquierda el cono de ajuste para apretarlo. Vuelva a fijar la contratuercas y revise de nuevo.

- 4 Repita el proceso de comprobación del juego y vuelva a apretar el cono un poco hasta que no se sienta juego. **Nota:** Los sistemas de biela de una pieza no utilizan un sistema de rodamiento pulido. Habrá alguna brusquedad en un pedalier debidamente ajustado. Ajústelo tan holgado como sea posible pero sin que haya juego en el conjunto de la biela.

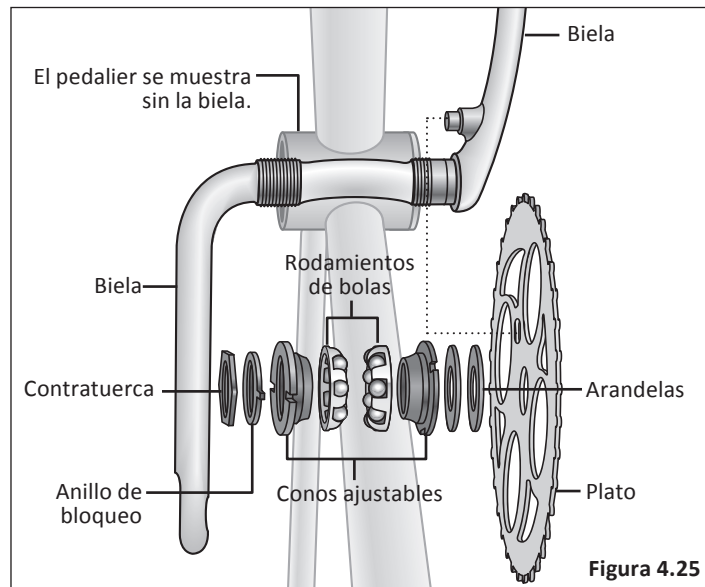


Figura 4.25

5 Uso

⚠ ¡ADVERTENCIA!

No seguir las normativas y leyes locales y estatales relativas al uso de la bicicleta, así como las advertencias de seguridad de este manual, puede dar como resultado lesiones graves o la muerte. Siga siempre todas las normativas y leyes locales y estatales relativas al uso de la bicicleta, siga las advertencias de seguridad de este manual y use el sentido común cuando monte en bicicleta. Realice siempre una comprobación previa de las condiciones de la bicicleta antes de montar en ella.

FUNCIONAMIENTO DE LOS FRENOS

Hay dos tipos de sistemas de freno para bicicletas: **accionados con el pie** y **accionados con la mano**.

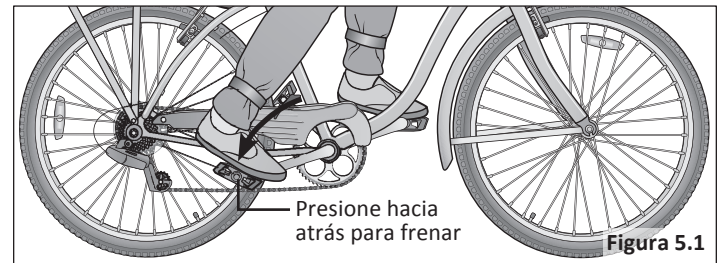
Frenos accionados con el pie

Los frenos accionados con el pie permiten al ciclista pedalear hacia delante para acelerar la bicicleta y pedalear hacia atrás para frenar. Cuanto más empuje hacia atrás sobre los pedales, más fuerza de frenado se aplica a la rueda trasera. **Figura 5.1**

En la mayoría de los casos, un freno operado con el pie es suficientemente fuerte para **bloquear** (detener el giro de la rueda) la rueda trasera y provocar que la llanta patine. Aunque esto desacelerará la bicicleta rápidamente, también causará un desgaste innecesario de la llanta y el terreno, y puede provocar una pérdida de control de la dirección.

Se recomienda practicar el frenado de modo que tenga control sobre lo rápido que se detiene la bicicleta. También es importante conocer el entorno por el que va a circular. Por ejemplo, una carretera pavimentada seca es muy predecible cuando se para. Pero si añade lluvia, grava, nieve o cualquier otra cosa, el ciclista tiene que ser muy cuidadoso y permitirse una distancia extra de frenada antes de girar. El ciclista también debe ser cuidadoso con los cambios de terreno para mantener la bicicleta a una velocidad controlable.

Algunos modelos pueden tener una combinación de frenos accionados con el pie y la mano. Es correcto accionar ambos al mismo tiempo o de manera independiente. Sin embargo, si la bicicleta está equipada con un freno de mano en la rueda delantera, tenga cuidado de usar los frenos delantero y trasero simultáneamente, y evite bloquear la rueda delantera, ya que esto puede provocar una pérdida de control de la dirección y causar una colisión. Vea frenos accionados con la mano en la siguiente página para obtener más detalles.



Frenos accionados a mano

⚠ ¡ADVERTENCIA!

Si se acciona el freno delantero demasiado rápido o demasiado fuerte, la rueda delantera puede dejar de girar dando como resultado un lanzamiento hacia delante o provocar que la bicicleta pierda la función de dirección provocando una colisión.

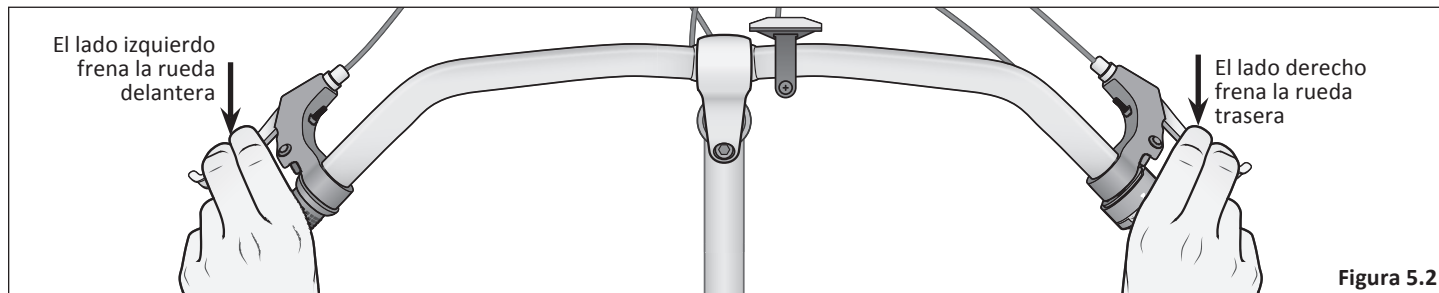
Los frenos accionados a mano tienen una maneta independiente para accionar los frenos delantero y trasero. Las manetas del freno delantero están situadas en el lado izquierdo del manillar y las del trasero están situadas en el lado derecho. **Figura 5.2**

Los frenos accionados a mano pueden usarse solos o, en algunos modelos, en conjunción con los frenos accionados por el pie. Está bien accionar un freno cada la vez, o todos juntos, dependiendo de su estilo, comodidad y condiciones de conducción. Sin embargo, tenga cuidado de prestar mucha atención al bloqueo de los frenos delanteros.

La mejor forma de evitar esto:

- Accione simultáneamente los frenos delantero y trasero, mientras desplaza el peso de su cuerpo ligeramente hacia atrás para compensar la fuerza de frenado.
- Conforme cambia el terreno, el ciclista debe practicar y aprender cómo responderá la bicicleta en un nuevo terreno o en un cambio de clima. La misma bicicleta reaccionará de forma diferente si está húmedo, o si hay grava en el camino, etc.
- Pruebe siempre los frenos y asegúrese de que se siente cómodo con la reacción. Si las condiciones de conducción son demasiado empinadas (por ejemplo a campo traviesa) y se siente inseguro, desmonte de la bicicleta y pase a pie el terreno cuestionable antes de montar otra vez.
- Recuerde que al accionar los frenos su peso querrá moverse hacia delante, y las ruedas querrán parar.

Nota: Vea la **Sección 4: Ajustar los frenos** para obtener información sobre el ajuste de los frenos.



FUNCIONAMIENTO DE LAS MARCHAS

⚠ ¡ADVERTENCIA!

Un cambio incorrecto puede dar como resultado el bloqueo de la cadena, o hacerla descarrilar dando como resultado la pérdida de control, lesiones graves o la muerte. Asegúrese siempre de que la cadena esté completamente enganchada en la marcha deseada antes de pedalear fuerte. Evite hacer cambios mientras permanece de pie sobre los pedales o bajo carga.

Las bicicletas con varias velocidades pueden tener **sistemas de marcha** interno o de cambio.

¡Importante! Las mejores prácticas para un cambio adecuado:

- Pedalee la bicicleta con un poco de presión sobre los pedales y mueva la palanca de cambios una marcha cada vez, asegurándose de que la cadena esté completamente encajada en esa marcha antes de aplicar más presión sobre los pedales.

- Es correcto montar todo el tiempo en sólo una marcha si está cómodo.
- Cambie sólo mientras pedalea hacia delante y sentado. Mientras cambia de marcha, disminuya la presión ejercida sobre los pedales durante el cambio.
- Una vez que haya cambiado con éxito la marcha, es correcto empezar a pedalear fuerte si lo desea.
- Pedalear fuerte mientras se cambia la marcha puede provocar que la cadena salte y no enganche la marcha apropiada.
- Debe evitarse pedalear hacia atrás en las bicicletas con mecanismo de cambio, porque la cadena puede bloquearse y provocar que la bicicleta se vuelva inestable. Vea **Ensamblaje y mantenimiento** para obtener más información sobre el ajuste adecuado de las marchas.

Uso de la palanca de cambio trasero

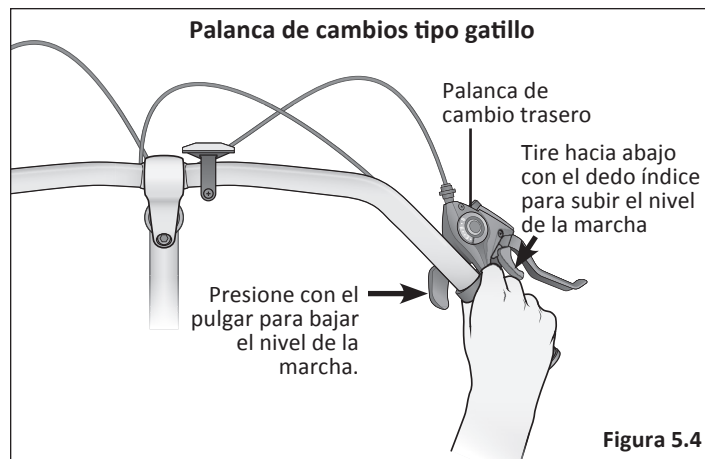
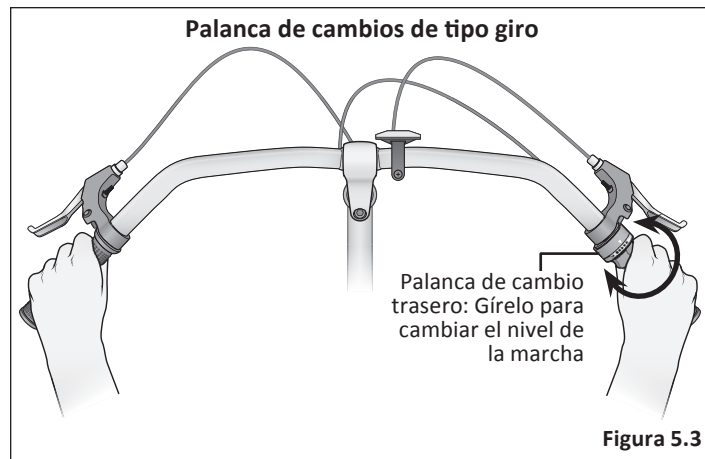
La palanca de cambio trasero (derecha) tendrá un indicador que señale respectivamente **bajo o alto** o una serie de números del 1 en adelante. Bajo o "1" es la marcha más baja. Esto se utiliza para circular más lento, subir cuestas o permitir un pedaleo más fácil. Se recomienda comenzar en esta marcha y avanzar por las marchas a medida que aumenta la velocidad según sea necesario, o cómodo.

Para usar una palanca de cambios de tipo giro

Gire la zona de la empuñadura del manillar más cercana a los números de las marchas al nivel de marcha deseado. **Figura 5.3**

Para usar una palanca de cambios de tipo gatillo

Utilice el dedo índice para levantar la palanca superior subiendo el nivel de la marcha. Utilice el pulgar para empujar la palanca inferior bajando el nivel de la marcha. **Figura 5.4**



SEGURIDAD

¡Acaba de comprar una bicicleta nueva! No la pierda. Es recomendable que dé los pasos siguientes para prepararse para un posible robo y evitarlo:

- Mantenga un registro del número de serie de la bicicleta, generalmente ubicado en el cuadro, debajo del pedalier.

Figura 5.5

- Registre la bicicleta con la policía local o en el registro de bicicletas.
- Invierta en un candado para bicicletas de alta calidad que resista sierras y cizallas.
- Cande siempre su bicicleta a un objeto inamovible si la deja desatendida. Tenga en cuenta que se pueden robar las piezas individuales de una bicicleta. Más comúnmente, si canda sólo una rueda o sólo el cuadro, pueden quitarse otras piezas de la bicicleta. Aunque es imposible candar todas las piezas, se sugiere candar los principales componentes si es posible.

Figura 5.6

- Utilice un candado que sea suficiente para bloquear el cuadro y las dos ruedas, si es posible. Algunos modelos con ruedas delanteras de liberación rápida permiten que la rueda delantera se coloque junto al cuadro y así se puede utilizar un candado más pequeño para candar los 3 componentes.
- Tenga en cuenta que una tija del sillín de liberación rápida también se puede robar. Se recomienda quitar la tija del sillín y el sillín y llevarlos con usted si cree que esto es un riesgo.

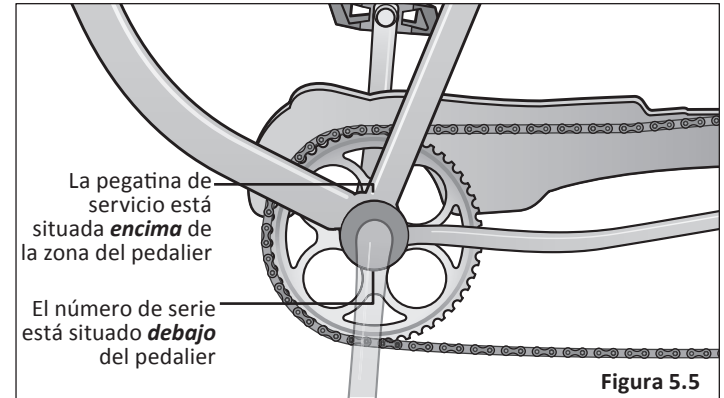


Figura 5.5

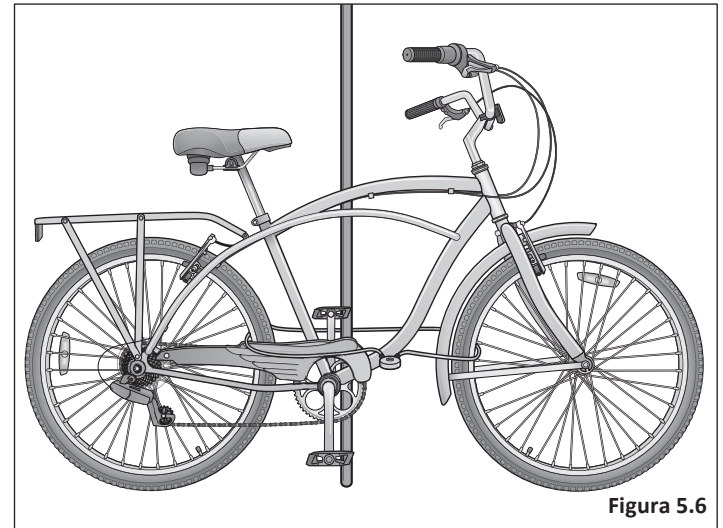


Figura 5.6

6 Mantenimiento

⚠ ¡ADVERTENCIA!

- No realizar el mantenimiento de la bicicleta puede ocasionar un mal funcionamiento de una pieza crítica y lesiones graves o la muerte. Un mantenimiento adecuado es fundamental para un rendimiento y funcionamiento seguros de la bicicleta.
- Los intervalos recomendados y la necesidad de lubricación y mantenimiento pueden variar dependiendo de a qué condiciones esté expuesta la bicicleta. Inspeccione siempre la bicicleta y realice el mantenimiento necesario antes de cada uso.

Esta sección presenta información importante sobre el mantenimiento y le ayudará a determinar el curso de acción correcto a seguir si tiene un problema con el funcionamiento de la bicicleta. Si tiene preguntas acerca del mantenimiento llame, sin ningún costo, a Servicio al Cliente al **1-800-626-2811** o vea a un mecánico especializado de bicicletas. **No** llame a la tienda donde compró la bicicleta.

El correcto mantenimiento de su nueva bicicleta garantizará:

- Un funcionamiento sin problemas
- Componentes de más larga duración
- Montar en bicicleta de modo seguro
- Costos de mantenimiento más bajos

MANTENIMIENTO BÁSICO

Los procedimientos siguientes le ayudarán a mantener su bicicleta durante años de conducción agradable.

- En el caso de cuadros pintados, retire el polvo de la superficie y quite la suciedad suelta con un paño seco. Para lavar, limpie con un paño húmedo empapado en una mezcla ligera de detergente. Seque con un paño y pula con cera de coche o de muebles. Utilice agua y jabón para las piezas de plástico y las llantas de goma. Las bicicletas cromadas deben limpiarse con un líquido preventivo del óxido.
- Guarde su bicicleta bajo abrigo. Evite dejarla bajo la lluvia o expuesta a materiales corrosivos.
- Montar en bicicleta en la playa o en zonas costeras la expone a la sal, que es muy corrosiva. Lave frecuentemente su bicicleta y limpie o rocíe todas las partes sin pintar con un tratamiento antioxidante. Asegúrese de que los rines estén secos para que el rendimiento del frenado no se vea afectado. Después de la lluvia, seque su bicicleta y aplique tratamiento antioxidante. Si los rodamientos del buje y del pedalier de su bicicleta se han sumergidos en agua, debe secarlos y volverlos a engrasar. Esto ayudará a prevenir un deterioro acelerado de los rodamientos.
- Si la pintura está rayada o desconchada hasta el metal, utilice pintura de retoque para evitar que se oxide. También se puede usar esmalte de uñas transparente como medida preventiva.
- Limpie y lubrique periódicamente todas las partes móviles, apriete los componentes y haga los ajustes que sean necesarios.

PROGRAMA DE LUBRICACIÓN

Componente	Lubricante	Método
Semanalmente		
Cadenas	Lubricante de cadena o aceite ligero	Cepillo o chorro
Pinzas de frenos	Aceite	Tres gotas de la lata de aceite
Manetas de freno	Aceite	Dos gotas de la lata de aceite
Piñón libre	Aceite	Dos gotas de la lata de aceite
Sistemas de cambio	Aceite ligero o grasa	Todos los puntos de pivotado deben estar lubricados (más a menudo en condiciones severamente lluviosas o con barro). Limpie el exceso de aceite.
Cables de freno	Grasa con base de litio	Quite el cable de la carcasa. Engrase a todo lo largo. Limpie el exceso de lubricación de otras superficies.
Maneta de freno y puntos de pivote de la pinza	Aceite ligero	Dos o tres gotas de la lata de aceite
Cable del cambio	Capa fina de grasa	Limpie y engrase

Nota: La frecuencia de mantenimiento debe aumentar con el uso en condiciones húmedas o polvorientas. No lubrique en exceso. Quite el exceso de lubricante para evitar la acumulación de suciedad. **Nunca** utilice un desengrasante para lubricar las cadenas (WD-40®).

6 Mantenimiento

Anualmente		
Abrazadera inferior	Grasa con base de litio	Desmontaje
Pedales	Grasa con base de litio	Desmontaje
Rodamientos de la rueda	Grasa con base de litio	Desmontaje
Juego de dirección	Grasa con base de litio	Desmontaje
Tija del sillín	Grasa con base de litio	Desmontaje
Pedales: que pueden desmontarse		Vea a un mecánico de bicicletas para el mantenimiento.

MANTENIMIENTO DE LAS PARTES

Llantas

Frecuencia: Inspeccione y mantenga al menos en cada uso.

Inspeccione	Acción	Mantenimiento
Inflado de la llanta	Compruebe la presión de la llanta.	Infle la llanta a la presión indicada en la pared lateral de la misma.
	Compruebe que el reborde esté debidamente asentado mientras infla o vuelve a montar la llanta.	Reduzca la presión de aire en la cámara y reposicione el reborde.
	Gire la rueda y verifique que la rotación y la alineación sean suaves y uniformes.	Afloje las tuercas del eje y ajuste hasta que asiente correctamente. Si los rodamientos del buje necesitan reparación, vea a un mecánico de bicicletas para que lo haga.
Asentamiento del reborde	Compruebe que no haya radios rotos o sueltos.	Vea a un mecánico de bicicletas para las reparaciones.
Banda de rodamiento	Inspeccione por si hay señales de desgaste excesivo, puntos planos o cortes y daños.	Reemplace la llanta.
Válvulas	Compruebe que los casquillos de la válvula estén ajustados y libres de suciedad.	Limpie la suciedad de la válvula.

delanteras (blanco)

Frecuencia: Inspeccione y mantenga al menos en cada uso.

Inspeccione	Acción	Mantenimiento
Rines	Inspeccione por si hay suciedad o grasa.	Use un trapo para limpiar o lave con agua jabonosa, aclare y seque al aire.
delanteras (blanco)	Compruebe que las ruedas estén bien fijadas a la bicicleta y que las tuercas del eje estén apretadas.	Ajuste si es necesario y apriete las tuercas del eje.
	Gire la rueda y verifique que la rotación y la alineación sean correctas.	Vea a un mecánico de bicicletas para las reparaciones.
Radios	Compruebe que no haya radios rotos o sueltos.	Vea a un mecánico de bicicletas para las reparaciones.
Rodamientos del buje	Levante cada rueda y vea si hay movimiento de lado a lado.	Vea a un mecánico de bicicletas para las reparaciones.

Tren de transmisión (pedales, cadenas, plato, conjunto de la biela, piñón libre)*Frecuencia:* como se señale

Inspeccione	Acción	Mantenimiento
Pedales	Todos los meses, revise que cada pedal esté firmemente ajustado y apriételo en el brazo de la biela.	Si es necesario, vuelva a ajustar y apretar.
	Antes de cada viaje, compruebe que cada reflector delantero y trasero del pedal esté limpio y en su lugar.	Limpie o reemplace.
Rodamientos del pedal	En cada viaje, verifique que los rodamientos del pedal estén bien ajustados. Mueva el pedal hacia arriba y hacia abajo, a izquierda y derecha. Si se detecta soltura o aspereza, es necesario ajustar, lubricar o sustituir.	Vea a un mecánico de bicicletas para las reparaciones.
Cadenas	Cada semana, compruebe que la cadena esté limpia, bien lubricada, sin óxido y que no esté estirada, rota o tenga eslabones rígidos.	Lubrique si es necesario. Reemplácela si está oxidada, estirada o rota.
Conjunto de la biela	Cada mes, revise que el conjunto de la biela (brazos de la biela, los platos, el eje del pedalier y los rodamientos) esté correctamente ajustado y tenso.	Vea a un mecánico de bicicletas para las reparaciones.

Frenos

Frecuencia: Inspeccione y mantenga antes de cada uso

Inspeccione	Acción	Mantenimiento
Palancas	Compruebe que las palancas estén firmemente sujetas al manillar.	Coloque las palancas para ajustarse al agarre del ciclista y atorníllelas fijamente al manillar.
Zapatas	Revise la posición de las zapatapas, el espacio y la presión.	Vea la sección 4: Ajustar los frenos
Cables	Compruebe la carcasa exterior por si hay torceduras, bucles estirados y daños. Compruebe los cables por si hay torceduras, óxido, hebras rotas o extremos deshilachados. Compruebe la carcasa exterior por si hay torceduras, bucles estirados y daños.	Reemplace el cable.
	Compruebe que la cubierta esté correctamente asentada en cada tope del cable de la bicicleta.	Se recomienda que los cables y las fundas se sustituyan cada temporada ciclista.

RODAMIENTOS DEL BUJE

Los rodamientos del buje requieren llaves finas especiales llamadas **llaves cónicas**. Si no dispone de estas herramientas, no trate de ajustar los rodamientos del buje. Vaya a un mecánico de bicicletas cualificado para realizar el ajuste, si tiene alguna duda.

- 1 Compruebe para estar seguro de que ninguna contratuerca esté suelta
- 2 Para ajustarla, quite la rueda de la bicicleta y afloje la contratuerca a un lado del buje mientras sostiene el cono del rodamiento del mismo lado con una llave cónica.
- 3 Gire el cono de ajuste según sea necesario para eliminar el juego.
- 4 Apriete la contratuerca mientras sostiene el cono de ajuste en posición.
- 5 Vuelva a comprobar que la rueda puede girar libremente sin juego lateral excesivo.

DESINFLE LA CÁMARA DE LA LLANTA



¡ADVERTENCIA!

- Una llanta mal asentada puede pinchar inesperadamente y ocasionar lesiones graves o la muerte. Asegúrese de que la llanta esté debidamente asentada al inflar la cámara.
- Un inflado excesivo o demasiado rápido de la cámara puede provocar que la llanta salga volando del rin y dañe la bicicleta o le provoque lesiones al ciclista. Utilice siempre una bomba de mano para inflar la cámara. **No** utilice el servicio de bomba de las gasolineras para inflar la cámara.

Siga estos pasos para inflar una llanta:

- 1 Retire el tapón de la válvula yañada aire.
- 2 Asegúrese de que la llanta esté uniformemente asentada en el rin por ambos lados.
- 3 Gire la rueda y busque zonas altas y bajas.
- 4 Complete el inflado al valor psi recomendado en la pared lateral de la llanta.

- 5 Asegúrese de que la llanta esté uniformemente asentada en el rin por ambos lados. Si no, libere un poco de aire y repita los pasos del tres al seis.
- 6 Compruebe que no haya suciedad en el tapón de la válvula o en el vástago. Limpie la suciedad del tapón de la válvula o del vástago.
- 7 Vuelva a colocar firmemente el tapón de la válvula en el vástago.

REPARAR UNA LLANTA PINCHADA

¡ADVERTENCIA!

Una llanta mal asentada puede pinchar inesperadamente y ocasionar lesiones graves o la muerte. Asegúrese de que la llanta esté debidamente asentada al inflar la cámara.

Siga estos pasos para reparar una llanta pinchada:

- 1 Revise que coincidan el tamaño de la cámara y de la llanta (vea el tamaño en la pared lateral de la llanta).
- 2 Quite la rueda de la bicicleta. Desinfe totalmente la cámara de la llanta.
- 3 Apriete el reborde de la llanta en el centro del rin.
- 4 Enfrente de la válvula, utilice una palanca de llanta de bicicleta para apalancar el reborde de la llanta y que salga del rin. Repita alrededor de la rueda hasta que uno de los rebordes esté fuera del rin.
- 5 Quite la cámara. Libere el segundo reborde de la llanta.
- 6 Quite la llanta.
- 7 Inspeccione cuidadosamente en el interior del rin y de la llanta para ver la causa del pinchazo.
- 8 Infle la cámara a 1/4 del total y colóquela dentro de la llanta.
- 9 Introduzca el vástago de la válvula a través del agujero correspondiente en el rin.
- 10 Empiece con el vástago de la válvula e instale el primer reborde en el rin. Repita con el segundo reborde.
- 11 Infle lentamente la cámara, compruebe que la llanta esté correctamente asentada y no quede pellizcada mientras infla la cámara de la llanta.
- 12 Infle a la presión recomendada (vea la pared lateral de la llanta).

GUÍA DE IDENTIFICACIÓN Y SOLUCIÓN DE PROBLEMAS

Problema	Causa probable	Remedio
El cambio de marchas no funciona correctamente	<ul style="list-style-type: none"> • Los cables del cambio están pegados, estirados o dañados • El cambio trasero no está ajustado adecuadamente • El cambio indexado no está ajustado adecuadamente 	<ul style="list-style-type: none"> • Lubrique/apriete/reemplace los cables • Ajuste los cambios • Ajuste el indexado
La cadena patina	<ul style="list-style-type: none"> • Dientes del plato o del piñón libre excesivamente desgastados o mellados • Cadena desgastada/estirada • Eslabón rígido en la cadena • Cadena incompatible con el plato y el piñón libre 	<ul style="list-style-type: none"> • Reemplace el plato, los piñones y la cadena • Reemplace la cadena • Lubrique o reemplace el eslabón • Pida asesoramiento en una tienda de bicicletas
Cadena salta del engranaje del piñón libre o del plato	<ul style="list-style-type: none"> • El plato está desalineado • El plato está suelto • Dientes del plato doblados o rotos • El cambio delantero o trasero se mueve de lado a lado fuera de ajuste • Cruce de cadena y desplazamiento con carga 	<ul style="list-style-type: none"> • Realínelo si es posible o reemplácelo • Apriete los pernos de montaje • Repare o reemplace el plato o el conjunto • Ajuste el recorrido del cambio
Hay ruidos de chasquido continuos mientras pedalea	<ul style="list-style-type: none"> • Eslabón de la cadena rígido • Eje del pedal o rodamiento flojos • Eje del pedalier o rodamiento flojo • Eje del pedalier o pedal doblado • Juego de biela suelto 	<ul style="list-style-type: none"> • Lubrique la cadena/ajuste el eslabón de la cadena • Ajuste los rodamientos/la tuerca del eje • Ajuste el pedalier • Reemplace el eje del pedalier o los pedales • Apriete los pernos de la biela

Problema	Causa probable	Remedio
Ruidos chirriantes cuando pedalea	<ul style="list-style-type: none"> • Rodamientos del pedal demasiado apretados • Rodamientos del pedaliar demasiado apretados • La cadena traba los cambios • Ruedas direccionales del cambio sucias o trabadas 	<ul style="list-style-type: none"> • Ajuste los rodamientos • Ajuste los rodamientos • Ajuste la línea de la cadena • Limpie y lubrique las ruedas direccionales
El piñón libre no gira	<ul style="list-style-type: none"> • Los pernos de trinquete interno del piñón libre están atascados 	<ul style="list-style-type: none"> • Lubrique. Si el problema persiste, cambie el piñón libre
Los frenos no funcionan con eficacia	<ul style="list-style-type: none"> • Las zapatas del freno están gastadas • Las zapatas del freno o el rin están grasientos, húmedos o sucios • Los cables del freno están trabándose/ estirados/dañados • Las manetas de freno están trabándose • Los frenos están desajustados 	<ul style="list-style-type: none"> • Reemplace las zapatas del freno • Limpie las zapatas y el rin • Limpie/ajuste/reemplace los cables • Ajuste las palancas de freno • Centre los frenos
Al accionar los frenos chirrían/chillan	<ul style="list-style-type: none"> • Las zapatas del freno están gastadas • Las zapatas del freno convergen de manera incorrecta • Zapatas del freno/rin sucios o húmedos • Brazos del freno flojos 	<ul style="list-style-type: none"> • Reemplace las zapatas • Corrija la convergencia de las zapatas • Limpie las zapatas y el rin • Apriete los pernos de montaje

6 Mantenimiento

Problema	Causa probable	Remedio
Golpeteo o temblor cuando se accionan los frenos	<ul style="list-style-type: none"> • Hay un bulto en el rin o el rin está desalineado • Los pernos de instalación del freno están flojos • Los frenos están desajustados • Horquilla suelta en el tubo de cabezal 	<ul style="list-style-type: none"> • Alinee la rueda o llévela a una tienda de bicicletas para su reparación • Apriete los pernos • Centre los frenos o ajuste la convergencia de las zapatas del freno • Apriete el juego de dirección
Rueda tambaleante	<ul style="list-style-type: none"> • Eje roto • Rueda desalineada • El buje se afloja • El juego de dirección se traba • Rodamientos del buje colapsados • El mecanismo de liberación rápida está flojo 	<ul style="list-style-type: none"> • Reemplace el eje • Alinee la rueda • Ajuste los rodamientos del buje • Ajuste el juego de dirección • Reemplace los rodamientos • Ajuste el mecanismo de liberación rápida
La dirección no es precisa	<ul style="list-style-type: none"> • Las ruedas no están alineadas en el cuadro • El juego de dirección está suelto o se traba • Horquillas delanteras o cuadro doblados 	<ul style="list-style-type: none"> • Alinee las ruedas correctamente • Ajuste/apriete el juego de dirección • Lleve la bicicleta a una tienda de bicicletas para la posible realineación del cuadro
Pinchazos frecuentes	<ul style="list-style-type: none"> • Cámara vieja o defectuosa • Banda de rodadura/cubierta de la llanta gastadas • Llanta inadecuada para el rin • Llanta no comprobada después de un pinchazo anterior • Presión de la llanta muy baja • Radio que sobresale en el rin 	<ul style="list-style-type: none"> • Reemplace la cámara • Reemplace la llanta • Reemplace con la llanta correcta • Retire el objeto punzante incrustado en la llanta • Corrija la presión de la llanta • Lime el radio

7 Garantía

GARANTÍA LIMITADA Y POLÍTICA SOBRE PROCEDIMIENTOS Y RESPONSABILIDADES DE REEMPLAZO

Su compra incluye la siguiente garantía que sustituye a todas las demás garantías explícitas. Esta garantía se extiende sólo al comprador inicial. No se necesita registrar la garantía. Esta garantía le otorga derechos legales concretos y es posible que tenga también otros derechos que varían según el estado.

CUADRO

Los cuadros de acero están garantizados contra materiales y mano de obra defectuosos en tanto el comprador inicial tenga la bicicleta, sujeto a las condiciones de la garantía abajo indicadas. Los cuadros de aluminio y los de doble suspensión están garantizados contra defectos de fabricación durante un período de 5 años. Si hay un fallo en el cuadro que ocurriera por materiales o mano de obra defectuosos durante el período de garantía, se reemplazará el cuadro. Para la sustitución del cuadro de conformidad con esta garantía limitada de Pacific, póngase en contacto con nosotros en la dirección que aparece en esta página, indicando la naturaleza del fallo, el número de modelo, la fecha en que la recibió y el nombre de la tienda en que se adquirió la bicicleta. El cuadro debe devolverse para su inspección a cargo del cliente. Tenga presente: la horquilla no es parte del cuadro. Una garantía de por vida del cuadro no garantiza que el producto dure para siempre. La duración de la vida útil de la bicicleta variará según el tipo de bicicleta, las condiciones de su uso y la atención que reciba. La competición, los saltos, las carreras cuesta abajo, las acrobacias, el trial, montar en condiciones o climas severos, montar con cargas pesadas o cualquier otro uso no estándar pueden acortar considerablemente el ciclo de vida útil del producto. Cualquiera de estas condiciones o una combinación de ellas pueden dar como resultado un fallo imprevisible que no esté cubierto por esta garantía. Todas las bicicletas y conjuntos de cuadros deben ser comprobados periódicamente por un distribuidor autorizado que vea que no haya indicaciones de posibles problemas, uso inadecuado o maltrato. Éstas son comprobaciones de seguridad importantes para ayudar a prevenir accidentes, lesiones al ciclista y un ciclo de vida útil reducido.

PIEZAS

Todas las piezas de esta unidad, excepto las piezas con desgaste normal, están garantizadas contra materiales y mano de obra defectuosos durante un período de 1 año desde la fecha de compra por el comprador inicial, sujeto a los términos y condiciones de la garantía abajo indicados. Si hay un fallo en cualquier pieza que pueda atribuirse a los materiales o mano de obra defectuosos durante el período de garantía, dicha pieza será reemplazada. Todas las reclamaciones por garantía deben presentarse en la dirección que aparece abajo y deben enviarse con portes pagados y acompañadas del comprobante de compra. Cualquier otra reclamación de la garantía no incluida en esta declaración es nula. Esto incluye especialmente los costos de instalación, montaje y desmontaje. Esta garantía no cubre daños a la pintura, óxido o cualquier modificación que se le haga a la bicicleta. Las piezas con desgaste normal se definen como empuñaduras, llantas, tubos, cables, zapatas del freno y cubierta del sillín. Se garantiza que estas piezas están libres de defectos de material y mano de obra cuando se entregan con el producto. Cualquier reclamación para la reparación o reemplazo de piezas con desgaste normal (empuñaduras, tubos, llantas, cables, zapatas del freno y cubierta del sillín) y por piezas faltantes debe hacerse en un plazo de treinta (30) días desde la fecha de compra. Esta garantía no cubre el desgaste normal, el montaje o mantenimiento incorrectos, ni la instalación de piezas o accesorios no originalmente previstos o compatibles con la bicicleta tal como se vendió. La garantía no cubre daños o fallos debidos a accidentes, maltrato, mal uso, negligencia o robo. No se aceptarán reclamaciones que impliquen estas cuestiones.

CONDICIONES DE LA GARANTÍA

1. Su bicicleta se ha diseñado para el transporte general y uso recreativo, pero no para soportar el maltrato asociado con las acrobacias y los saltos. Esta garantía cesa cuando usted alquile, venda o regale la bicicleta, monte con más de una persona o use la bicicleta para hacer acrobacias o saltos.
2. Esta garantía no cubre el desgaste ordinario ni nada que usted rompa accidental o deliberadamente.
3. Es responsabilidad del comprador individual asegurarse de que todas las piezas incluidas en la caja sellada de fábrica se instalen correctamente, que todas las piezas funcionales se ajusten correctamente y que se realicen correctamente los posteriores servicios de mantenimiento y ajustes normales necesarios para mantener la bicicleta en buenas condiciones de funcionamiento. Esta garantía no se aplica a daños debidos a la incorrecta instalación de piezas, la instalación de cualquier tipo de central eléctrica o motor de combustión interna, la modificación o alteración de cualquier manera de los frenos, el tren de transmisión o el cuadro, o la falta de mantenimiento o ajuste correctos de la bicicleta. AVISO: Las especificaciones de la bicicleta están sujetas a cambios sin previo aviso.

Pacific Cycle · PO Box 344 Olney, IL 62450

REGISTRO DE COMPRA

Rellénelo inmediatamente y consérvelo como registro de su compra. Conserve su recibo de venta para cualquier posible reclamación de la garantía.

Su nombre: _____

Dirección: _____

Ciudad: _____ Estado: _____

Fecha de compra: _____

Lugar de compra: _____

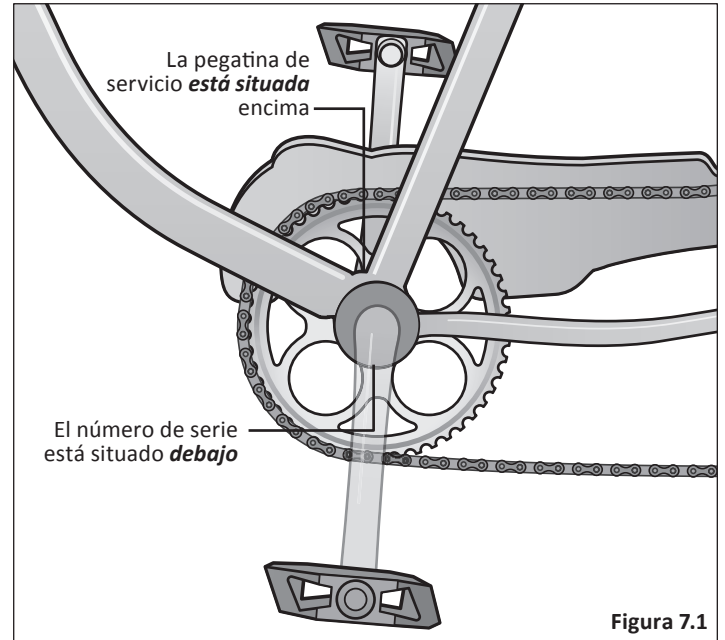
Información del modelo y marca: _____

Tamaño de rueda: _____ Color: _____

Número de modelo: _____

Código de fecha: _____

Número de serie: _____





PACIFICCYCLE

4902 Hammersley Road
Madison, WI 53711
Service: 1-800-626-2811
www.pacific-cycle.com

WWW.SCHWINNBIKES.COM

⚠ WARNING: This product can expose you to chemicals including lead, which is known to the State of California to cause cancer and birth defects or other reproductive harm. For more information go to www.P65Warnings.ca.gov.

OMSCCR

©2017 Pacific Cycle, Inc.