

SCHWINN®

Owner's Manual

Adult Tricycle

This manual contains important safety, performance and maintenance information. Read the manual before taking your first ride on your new bicycle, and keep the manual handy for future reference.

To register your bike visit
www.schwinnbikes.com/registerbike



Contents

1 Introduction

Safety Signal Words	2
-------------------------------	---

2 Safety

User Responsibility	2
Protective Gear and Clothing	3
Riding Safety	3
Wet Weather	4
Night Riding	5

3 Parts 6

4 Assembly 8

Getting Organized	8
Initial Set-up - Attach the Handlebars	9
Attach the Rear Frame	11
Attach the Secondary Chain	12
Attach the Rear Wheels	13
Attach the Front Fender	15
Attach the Front Wheel	17
Assemble the Front Brake	18

Rear Brake Adjustment	25
Brake Locking Buttons	27
Attach the Rear Fenders	28
Assemble the Wire Basket	29
Attach the Wire Basket	30
Attach the Saddle	31
Attach the Pedals	32
Adjust the Handlebar	33
Adjust the Seat	34

5 Use 35

Pre-Ride Checklist	35
------------------------------	----

6 Maintenance and Troubleshooting 40

Parts Maintenance	40
Hub Bearings	44
Inflating the Tire Tube	45
Repairing a Flat Tire	46

7 Warranty 47

8 Purchase Record 49

1 Introduction

This manual contains important information regarding safety, assembly, use, and maintenance of the tricycle but is not intended to be a complete or comprehensive manual covering all aspects concerning tricycle ownership. We recommend consulting a tricycle specialist if you have any doubts or concerns regarding your experience or ability to properly assemble and maintain the tricycle.

Our customer service department is dedicated to your satisfaction with Pacific Cycle and its products. If you have questions or need advice regarding assembly, parts, performance, or returns, please contact the experts at Pacific Cycle.

Enjoy the ride.

Toll free: 1-800-626-2811.

Customer Service hours: 8 AM- 5 PM (Central Standard Time,CST) Monday thru Friday.

You may also reach us at:

Web: www.schwinnbikes.com

Email: customer.service@pacific-cycle.com

Mail: Pacific Cycle
PO Box 344
4730 E Radio Tower Ln
Olney, IL 62450

Do not return this item to the store. Please call Pacific Cycle customer service if you need assistance.

Safety Signal Words

The following safety signal words indicate a safety message. The symbol alerts you to potential hazards. Failure to follow the warning may result in damage to property, injury, or death.



Indicates a hazard or unsafe practice that will result in severe injury or death.

Failure to read, understand and follow the safety information in this manual may result in serious injury or death.



Indicates a hazard or unsafe practice that could result in minor injury.

NOTICE

Indicates a hazard unrelated to personal injury, such as property damage.

User Responsibility

- All persons assembling, using, and maintaining the tricycle must read and understand the safety warnings and operating instructions in this manual before using the tricycle.
- It is the responsibility of the user, or in the case of a child rider, an adult, to ensure the tricycle is in proper operating condition before each use. See the Safety Checklist in the Use section of this manual.
- A responsible adult must supervise the use of the tricycle by a child. You must ensure:
 - The child is wearing the proper protective attire and approved tricycle helmet.
 - The child is seated securely and the tricycle is properly fitted to the child.
 - The child understands applicable laws and common sense rules of safe responsible bicycling.

Protective Gear and Clothing

Always wear proper attire when riding the tricycle, **you should wear:**

- Colors that are easily seen and, if possible, reflective clothing.
- Clothing appropriate for the weather conditions.
- Use of protective gear such as pads for the knees and elbows is highly recommended for children.
- A properly fitted, ASTM or SNELL approved, tricycle helmet shall be worn at all times by riders of the tricycle. For information regarding how to properly fit a helmet visit: <http://www.nhtsa.gov/people/injury/pedbimot/bike/easystepsweb>

Note: Some states have helmet laws regarding children. Always follow local or state regulations regarding helmet use.

Do not wear:

- Loose clothing parts, strings, jewelry that may become entangled with moving parts on the tricycle or interfere with handling of the tricycle.

- Pants with loose pant legs. If necessary, always tuck pant legs into a sock or use a leg band to avoid the clothing becoming caught in the drive chain.
- Shoes with untied shoe laces.

Use of Reflector and Lights

- Federal regulations require every tricycle over 16” to be equipped with front and rear wheel reflectors as well as pedal reflectors.
- States may require specific safety devices. Always follow state or local regulations regarding required safety devices.
- Always check the reflectors are in place before using the tricycle.
- To help enhance your visibility to automobile drivers use front and rear lights.

Riding Safety

- Familiarize yourself with all the tricycle’s features before riding. Practice gear shifts, braking, and the use of toe clips and straps, if installed.

- Always ride defensively in a predictable, straight line. Never ride against traffic.
- Concentrate on the path ahead. Avoid pot holes, gravel, wet road markings, oil, curbs, speed bumps, drain grates and other obstacles.
- Cross train tracks at a 90 degree angle or walk your tricycle across.
- Expect the unexpected (e.g. opening car doors or cars backing out of concealed driveways).
- Take extra care at intersections and when preparing to pass other vehicles.
- Maintain a comfortable stopping distance from all other riders, vehicles and objects. Safe braking distances and forces are subject to the prevailing weather conditions. Do not lock up the brakes. When braking, always apply the rear brake first, then the front. The front brake is more powerful and if it is not correctly applied, you may lose control and fall.
- Always use the correct hand signals to indicate turning or stopping.
- Obey the traffic laws (e.g. stopping at a red light or stop sign, giving way to pedestrians).
- Wear proper riding attire, reflective if possible, and avoid open toe shoes.
- Avoid wearing loose pants. If you are wearing loose pants, tuck the pant leg into a sock or use leg clips/elastic bands to prevent them from being caught in the drive chain.
- Don't use items that may restrict your hearing.
- Don't carry packages or passengers that will interfere with your visibility or control of the tricycle.

Wet Weather

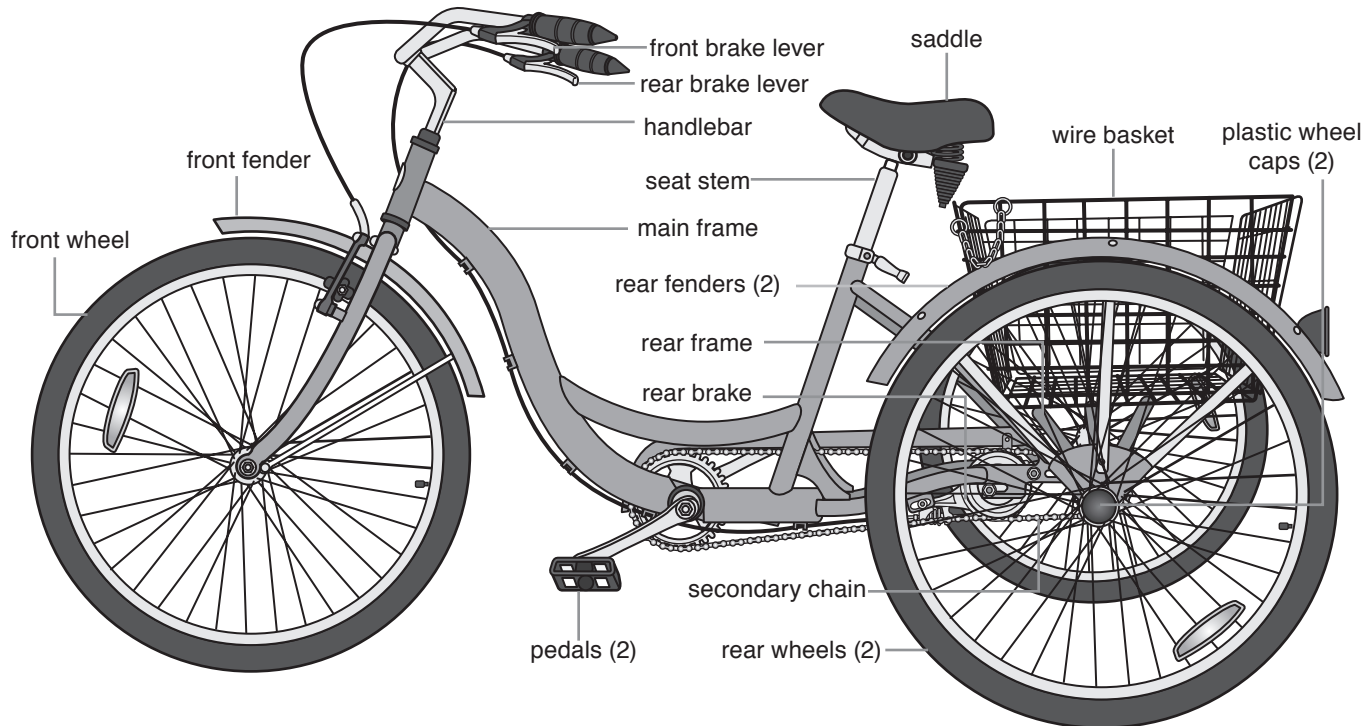
- Be aware of road conditions. Pot holes and slippery surfaces such as line markings and train tracks all become more hazardous when wet.
- Decrease your riding speed, avoid sudden braking and sharp turns.
- Braking will require additional distance. Initiate braking slowly and earlier than usual.
- Wear reflective clothing and use safety lights for increased visibility.

Night Riding

- Riding at night is not recommended. Check with local law or regulations regarding the use of lights for night riding.
- Ensure tricycle is equipped with a full set of correctly positioned and clean reflectors.
- Use a white light on the front and a red light on the rear. If possible, use lights with flashing capability. Flashing lights enhance visibility.
- If using battery powered lights, make sure batteries are well charged.
- Wear reflective and light colored clothing.
- Slow down and use familiar roads with street lighting.
- Ride at night only if necessary.


3 Parts

Before assembly check and see that all the parts are included. If parts are missing or damaged call customer service toll free at 1-800-626-2811.



4 Hardware

Handlebar Hardware

 stem wedge cap

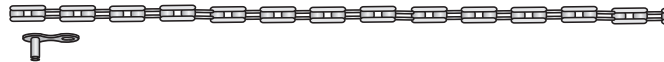
Frame Assembly Hardware



4 nuts 4 washers

Secondary Chain Hardware

secondary chain



2 master links

Front Wheel Axle Hardware



2 nuts

Rear Wheel Axle Hardware



2 plastic caps



2 nuts



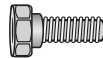
2 washers

Basket Hardware



4 bolts 4 washers

Rear Fender Hardware



WARNING!

Improperly assembly of the tricycle may result in unexpected product performance and serious injury or death. Assemble the tricycle according to the instructions in this manual or have a professional tricycle mechanic assemble the tricycle.

Getting Organized

The following tools and items are needed for assembly:

- Phillips head screw driver (minimum four inch shaft)
- 6 mm, 10 mm Allen keys
- Adjustable wrench or 10 mm, 15 mm, and 17 mm open and box end wrenches
- Needle nose pliers with cable cutting ability
- Grease (Automotive or anti-slip copper grease)

Initial Set-up - Attach the Handlebars

Parts: Handlebar, main frame

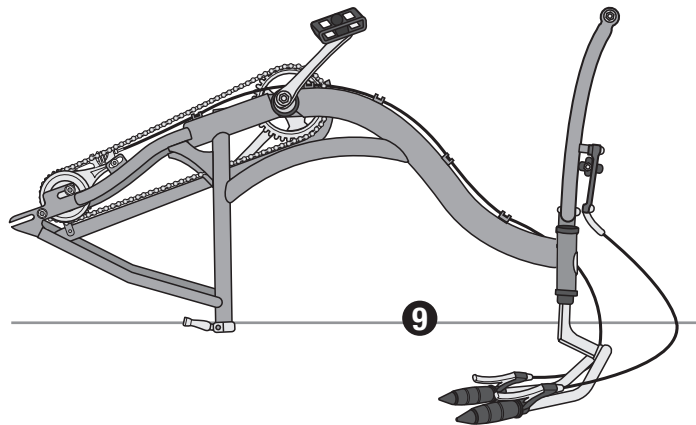
Hardware: The stem wedge bolt and binder bolt come attached to the handlebar. Stem wedge bolt cap.

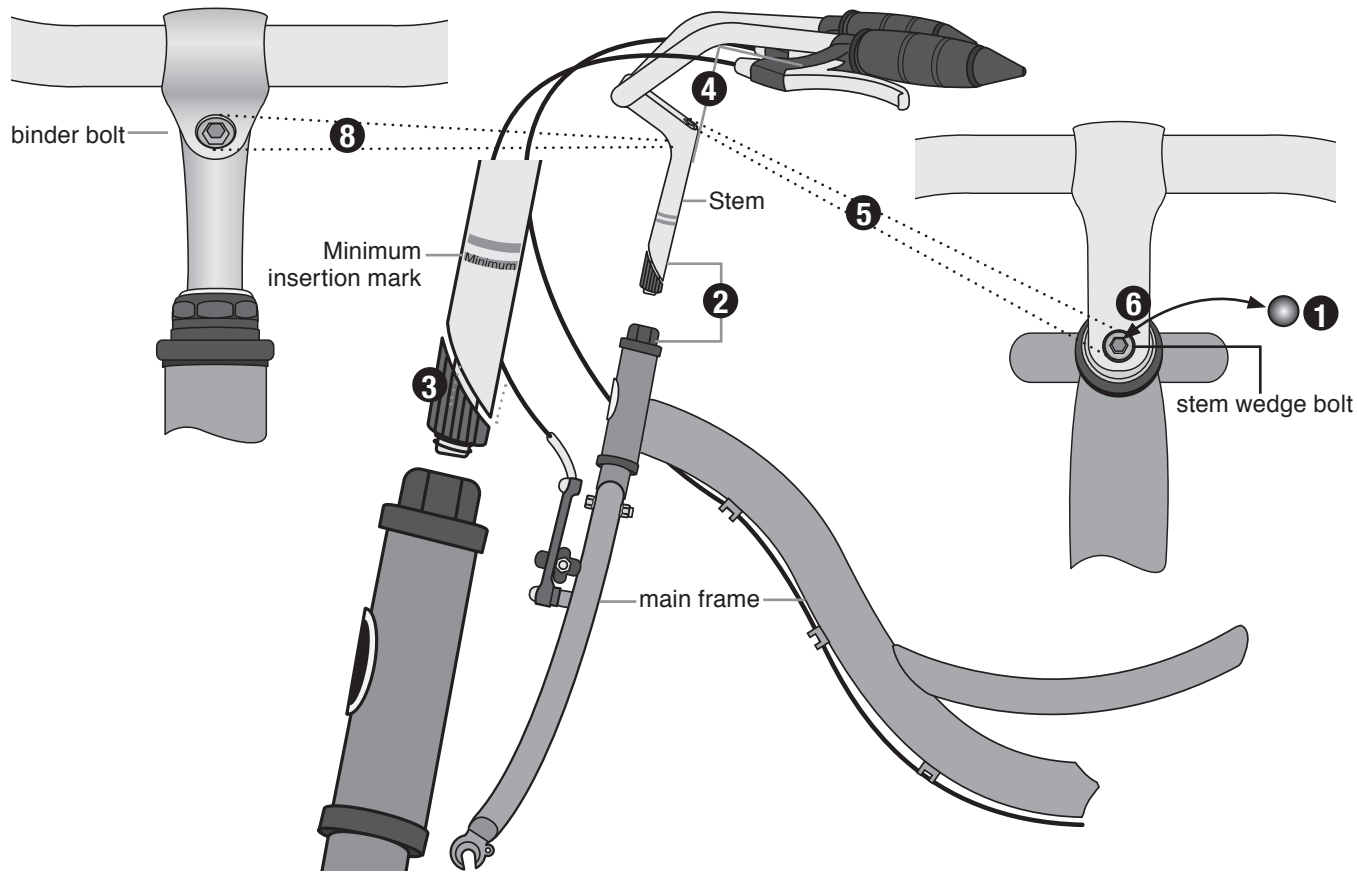
Tools: 6 mm Allen wrench, grease

1. Remove the cap covering the stem wedge bolt.
2. Apply a light layer of grease to the stem and frame head tube.
3. Insert the stem of the handlebar into the frame head tube until the **Minimum Insertion** mark is not visible. If necessary, unscrew the stem wedge bolt until there is play in the stem wedge.
4. Rotate the handle bar so it is **square** with the fork.
5. Tighten the stem wedge bolt to lock the stem in place.
6. Replace the cap onto the stem wedge bolt.
7. Loosen the handlebar binder bolt and rotate the handlebar into the riding position.
8. Using the 6 mm Allen wrench, tighten the handlebar binder bolt until the handlebar is locked in place.
9. Turn the tricycle assembly over so it rests on the handlebar and main frame.

NOTICE

The stem may break or damage may occur if the stem is not inserted the minimum amount. Insert the stem until the **Minimum Insertion** mark is not visible.





Attach the Rear Frame

Parts: rear frame, main frame

Hardware: 4 nuts, 4 square bolts, 4 washers, come attached to the frame. **Remove the nuts and washers only.**

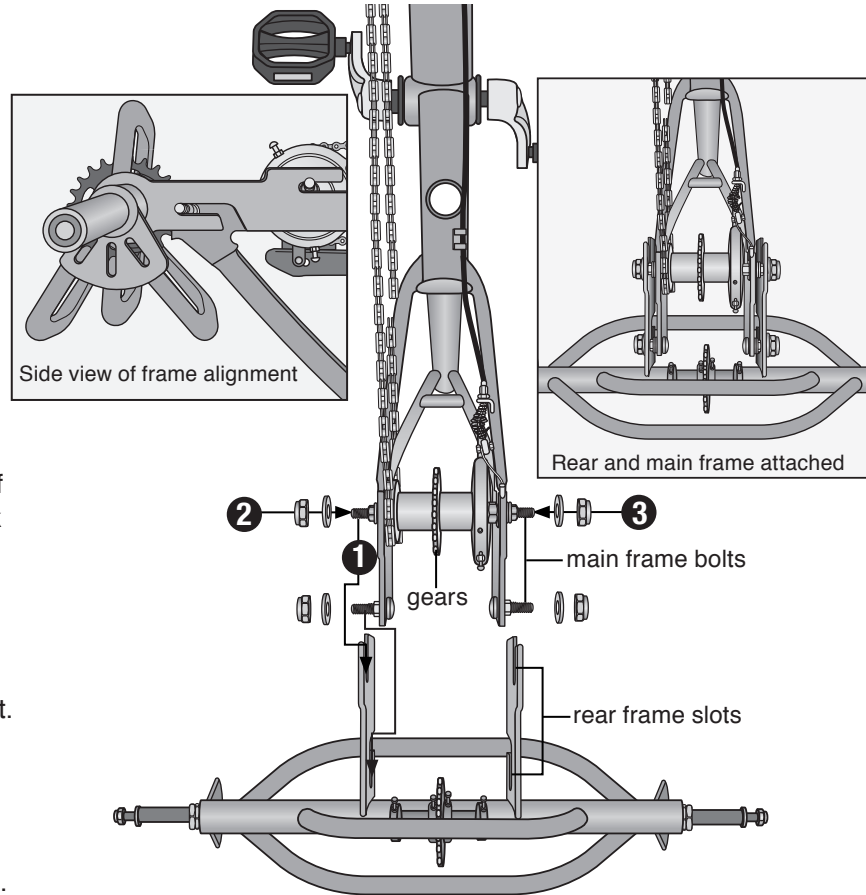
Tools: None required.

1. Join the rear frame and main frame together by sliding the bolts from the main frame into the slots on the rear frame. The bolts on the front of the main frame (furthest from the gears) should fit into the slots on the back of the rear frame. The bolts on the back of the main frame (closest to the gears) should fit into the slots on the front of the rear frame.

2. Slide a washer over the end of a bolt and fasten a nut to the end of the bolt.

Note: Do not tighten the nuts at this time. This will be done after the secondary chain is attached.

3. Repeat step 2 on the remaining bolts.



Attach the Secondary Chain

Parts: secondary chain, frame assembly

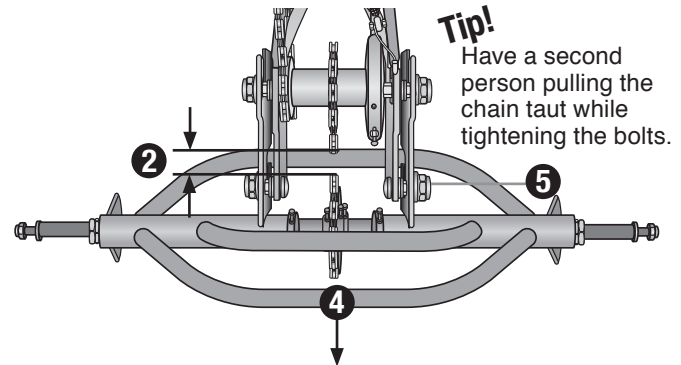
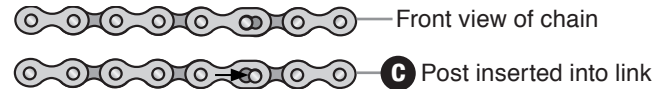
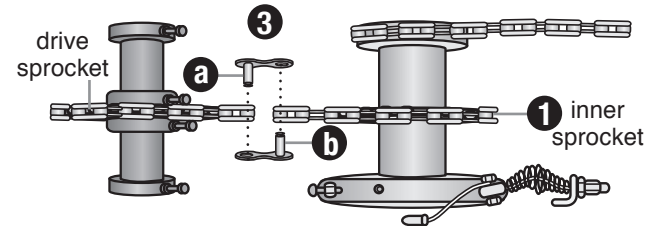
Hardware: 2 master links

Tools: 17 mm open and box end wrench.

1. Wrap the secondary chain around the inner sprocket on the rear hub and drive sprocket on the rear axle.
2. Adjust the position of the rear frame until the ends of the secondary chain meet each other, leaving one chain link length space in between the ends.
3. To connect the two ends of the chain:
 - a. Insert the post of a master link through the hole on the end of the secondary chain link.
 - b. Insert the post of the other master link through the opposite end of the secondary chain, and on the opposite side of the chain.
 - c. Pull the chain so the posts are inserted into the smaller hole of the master chain.
4. Pull the rear frame back so the secondary chain is taut and there is less than 5 mm of play up or down.

Important! Be sure the rear frame is perpendicular to main frame. Failure to square the frames will affect performance of the tricycle.

5. Firmly tighten the four bolts holding the rear frame to the main frame.



Attach the Rear Wheels

WARNING!

Failure to properly tighten the nuts holding the wheels onto the tricycle may result in poor riding performance, the tire falling off and serious injury or death. Always be sure the wheels are securely attached to the frame before using the tricycle.

Parts: Drive wheel, non-drive wheel

Hardware: 2 plastic caps, 2 locknuts, 2 washers.

The locknuts come attached to the axle.

Remove the locknuts before you begin this procedure.

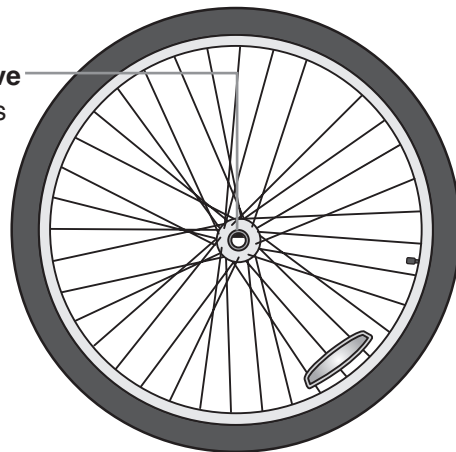
Tools: 17 mm open and box end wrench

See the facing page for diagrams of the following steps.

1. Place the drive wheel (with a notched opening) on the axle.
2. Place the washer on the axle.
3. Place the locknut on the axle and tighten securely.

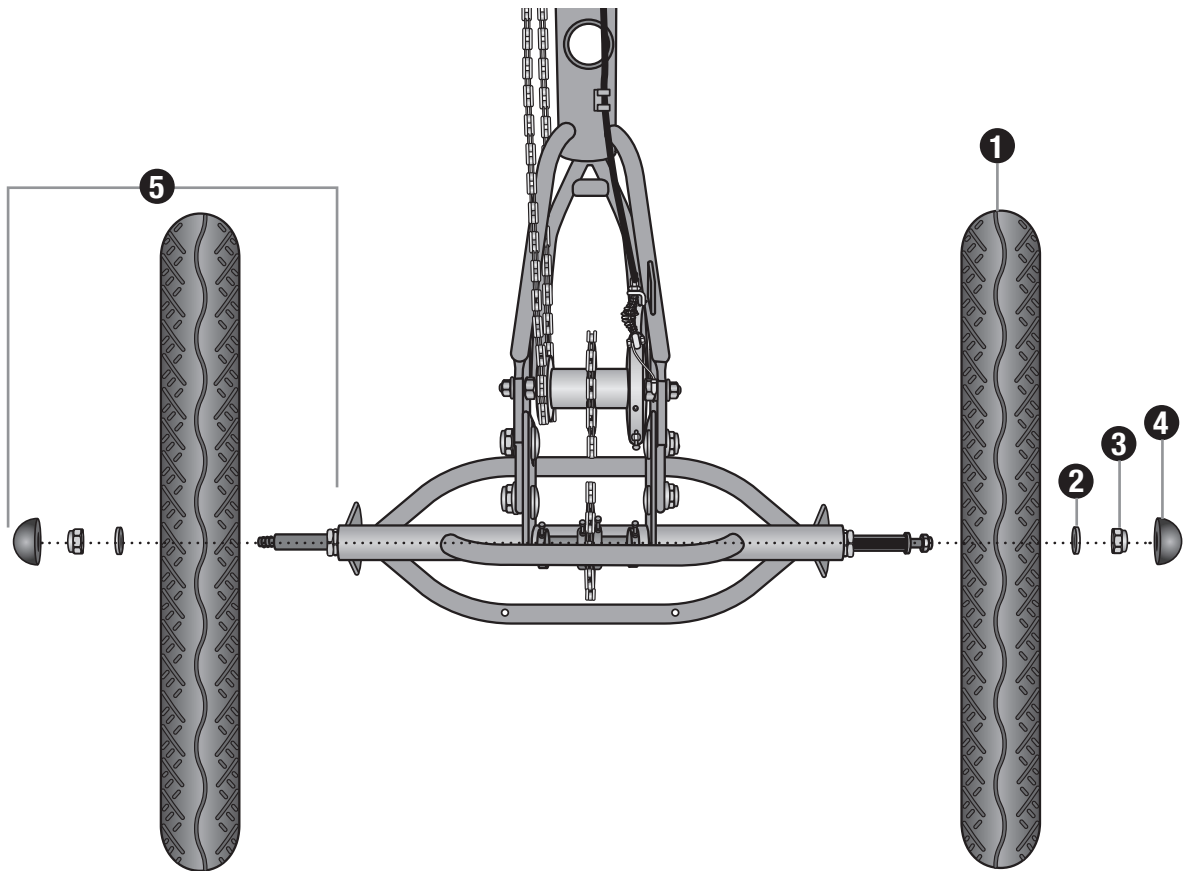
4. Screw the plastic caps on each end of the axles.

Note: The **drive wheel** hub has a notched opening that matches the notched axle.



5. To attach the non-drive wheel repeat steps one through four.

Note: To prevent the axle from turning while attaching the non-drive wheel, it is important to hold the drive wheel while tightening the locknut on the non-drive wheel.



Attach the Front Fender

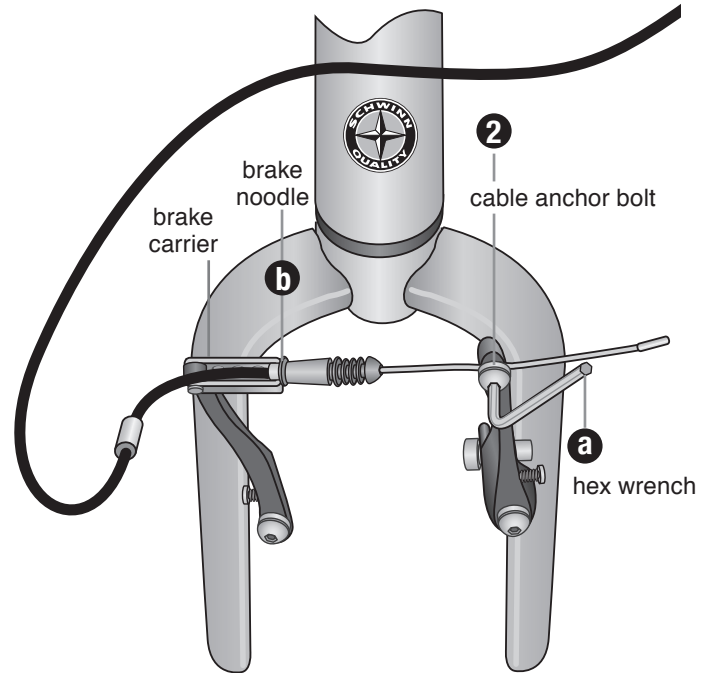
Parts: Front fender, main frame

Hardware: washer, long screw, small screw,

Tools: Phillips head screwdriver

See the facing page for diagrams of the following steps.

1. Remove the fork protector (not shown).
2. Disconnect the brake noodle from the brake carrier by:
 - a. Using a 5 mm Allen wrench loosen the cable anchor bolt enough so the cable can move freely.
 - b. Lift the brake noodle and cable out of the brake carrier.
3. Remove the hardware from the fork.

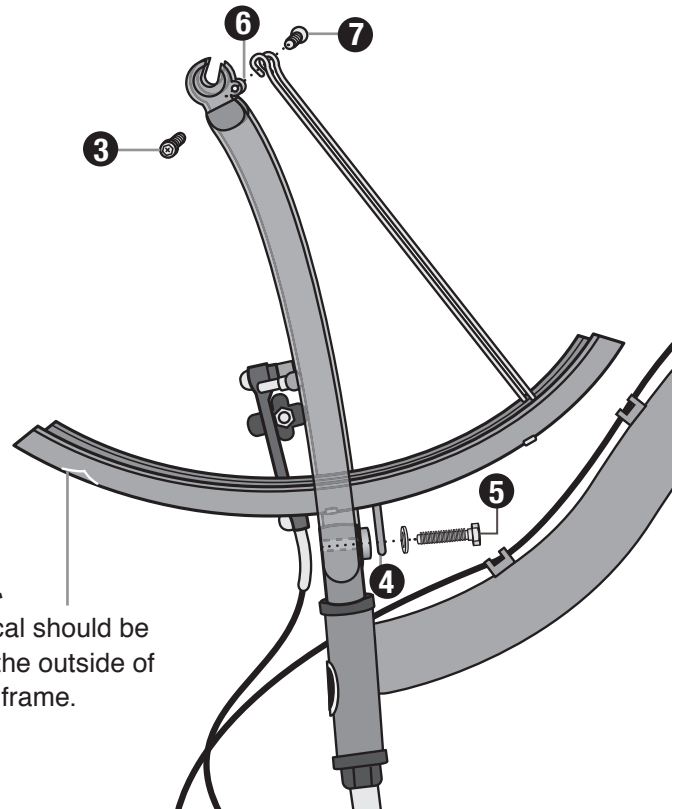


4. Position the front fender so the attachment bar is on the inside of the main frame, and aligns with the threaded screw hole of the fork.
5. Place a washer on the large screw and slide it through the attachment bar, and into the threaded hole in the fork.
6. Align the fender braces with the small hole on the ends of the fork.
7. Loosely screw the fender braces to the fork.

Note: The fender will be positioned and firmly fastened *after* the front tire is attached.

Tip!

Decal should be on the outside of the frame.



Attach the Front Wheel

WARNING!

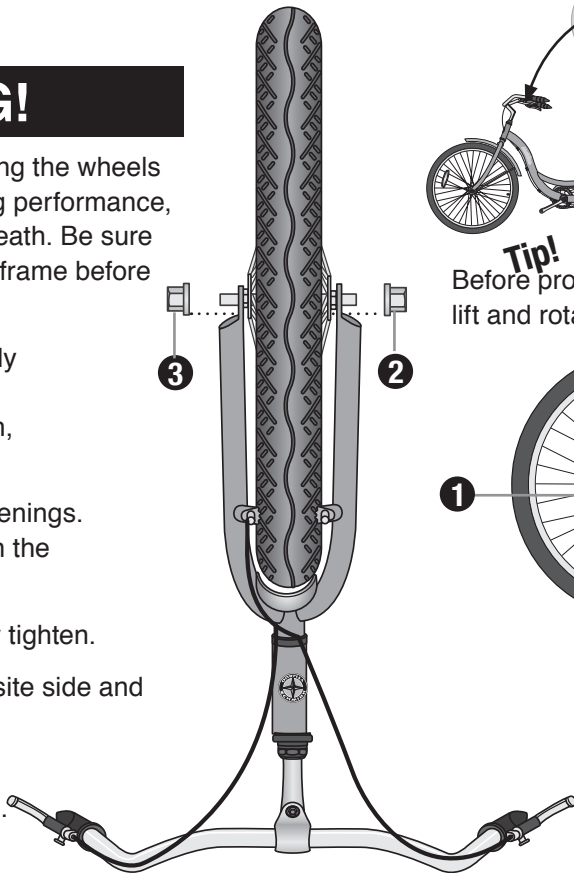
Failure to properly tighten the nuts holding the wheels onto the tricycle may result in poor riding performance, the tire falling off and serious injury or death. Be sure the wheels are securely attached to the frame before using the tricycle.

Parts: Front wheel, main frame assembly

Hardware: 2 large nuts

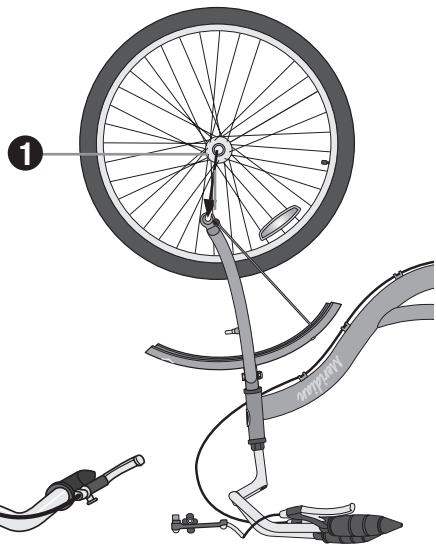
Tools: 15 mm open and box end wrench,
Adjustable Pliers

1. Place the front wheel into the fork openings.
Be sure both sides of the axle rest on the metal and the wheel is centered.
2. Place the nut on the axle and loosely tighten.
3. Place the remaining nut on the opposite side and loosely tighten.
4. Tighten each nut until both are firmly set, a minimum of 20 ft lbs (240 in-lb).
5. Inspect the wheel for even rotation.



Tip!

Before proceeding to the next step, lift and rotate the tricycle.



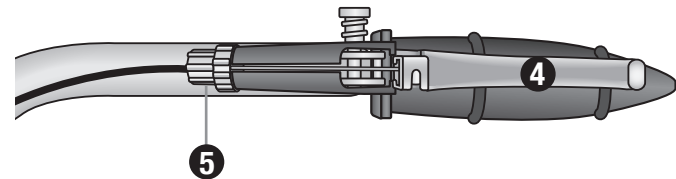
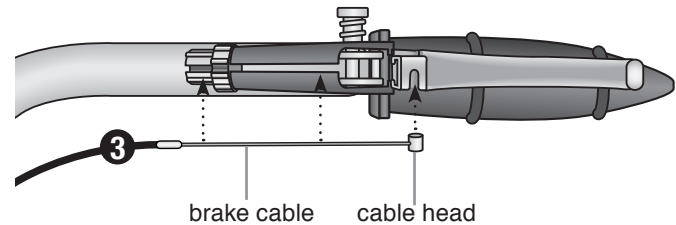
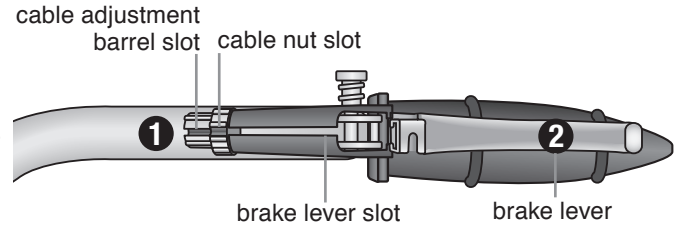
Assemble the Front Brake



Failure to properly set the brakes may result in the inability to stop the tricycle movement and cause serious injury or death. Be sure the brakes are functioning properly before using the tricycle.

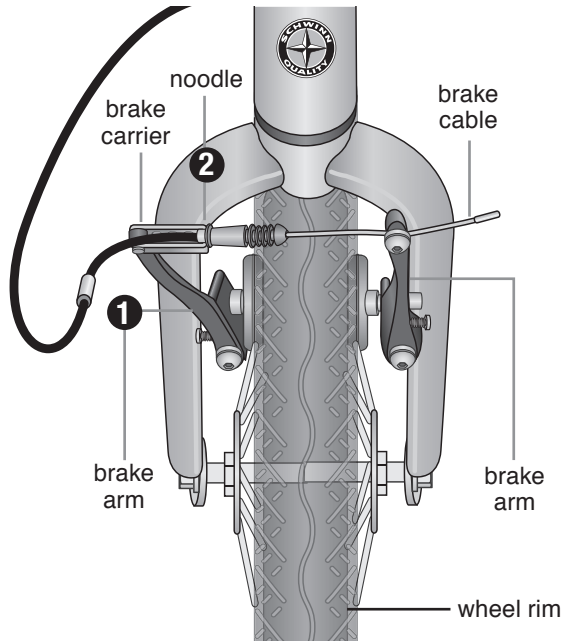
Note: The tricycle is shipped with the brake cable attached to the brake lever. Follow these steps if there is a need to re-attach the brake cable to the brake lever:

1. Rotate the cable adjustment barrel and cable nut until the slots are aligned with the slot on the brake lever body.
2. Press the brake lever towards the grip.
3. Slide the brake cable through the slots and place the cable head into the brake lever.
4. Release the brake lever.
5. Lightly pull on the cable, and rotate the cable nut and cable barrel so they are no longer aligned.



Attach the Brake Cable to the Brake Carrier

1. Squeeze the two brake arms together until the brake pads touch the wheel rim.
2. With your opposite hand, pull the brake cable and insert the end of the noodle into the brake carrier.

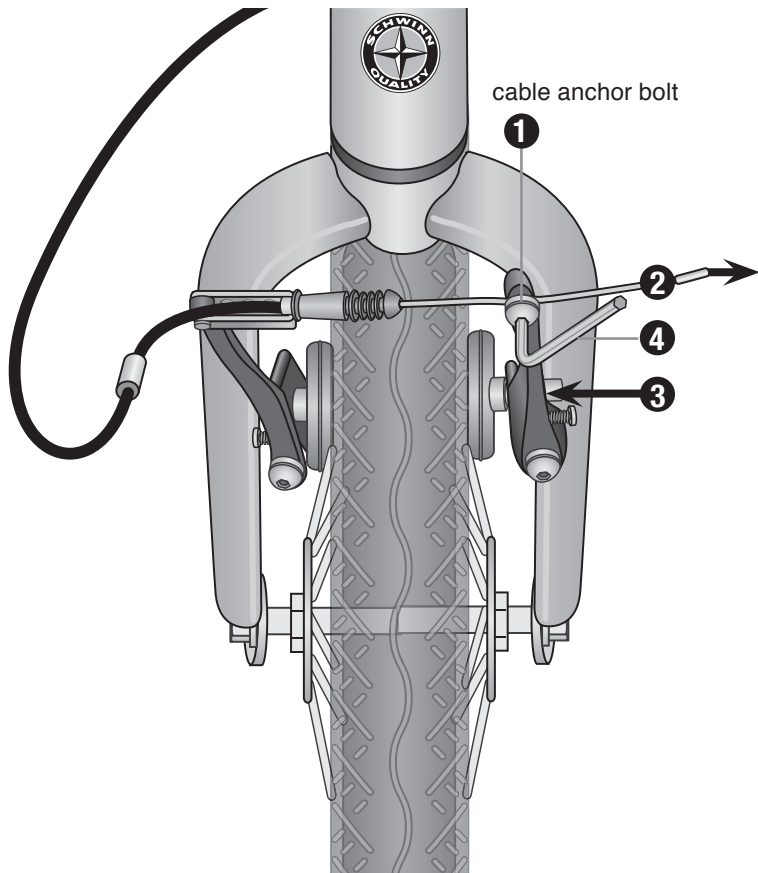


Adjust the Brake Cable

Parts: Brake cable, brake arms

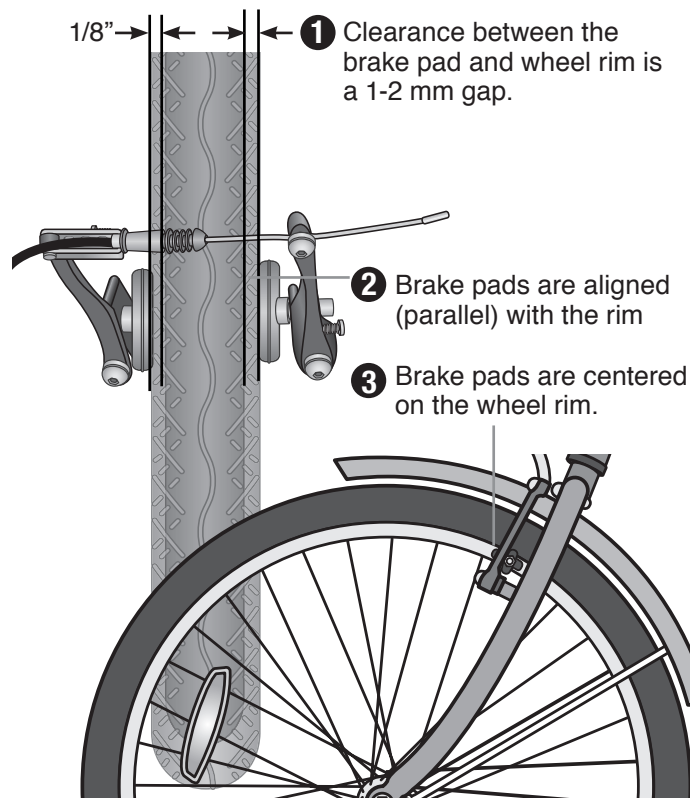
Tools: 5 mm Allen wrench

1. Using a 5 mm Allen wrench loosen the cable anchor bolt enough so the cable can move freely.
2. Pull on the cable to move the left brake arm towards the rim until there is approximately a 1/8" (3 mm) gap between the brake pad and rim.
3. Move the right brake arm towards the rim until there is approximately a 1-2 mm gap between the brake pad and rim.
4. Using the 5 mm Allen wrench, firmly tighten the cable anchor bolt completely.



Check for the brake pads for the following conditions:

See pages 21 -24 to adjust and align the brake pads.



1 Clearance between the brake pad and wheel rim is a 1-2 mm gap.

2 Brake pads are aligned (parallel) with the rim

3 Brake pads are centered on the wheel rim.

Centering the Brake Pads

If you squeeze the brake lever and one brake arm moves more than the other, (or not at all), the brake is not centered. You will need to fine tune the brake pads. Multiple adjustments may be necessary to center the brake pads, correctly set the brake pressure, and set the gap between the brake pad and rim.

Tools: 15 mm open and box end wrench, adjustable pliers, 5 mm Allen wrench, Phillips head screwdriver

See the facing page for diagrams of the following steps.

1. Rotate the wheel and look straight down at the brake pads. If you find the gap between the rim and brake pads is uneven it indicates the wheel or brake pads are not centered.
2. Check if the wheel is centered.
3. Rotate the wheel and observe if the gap between the fork and wheel is uneven. If it is, loosen the axle nuts and adjust the wheel until centered.
4. If the gap between the wheel and brake pad is uneven, adjust the position of the brake pad.

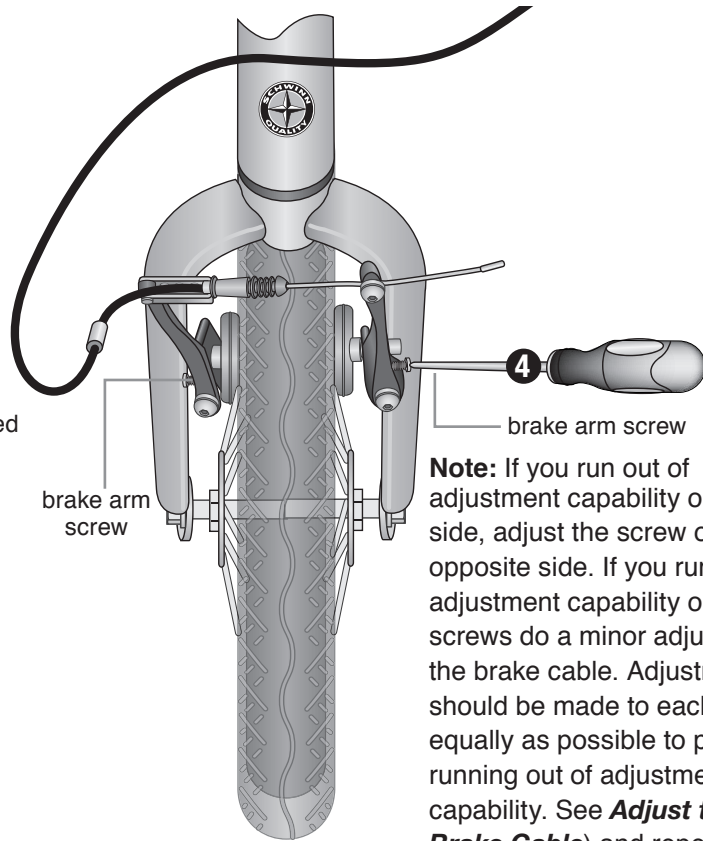
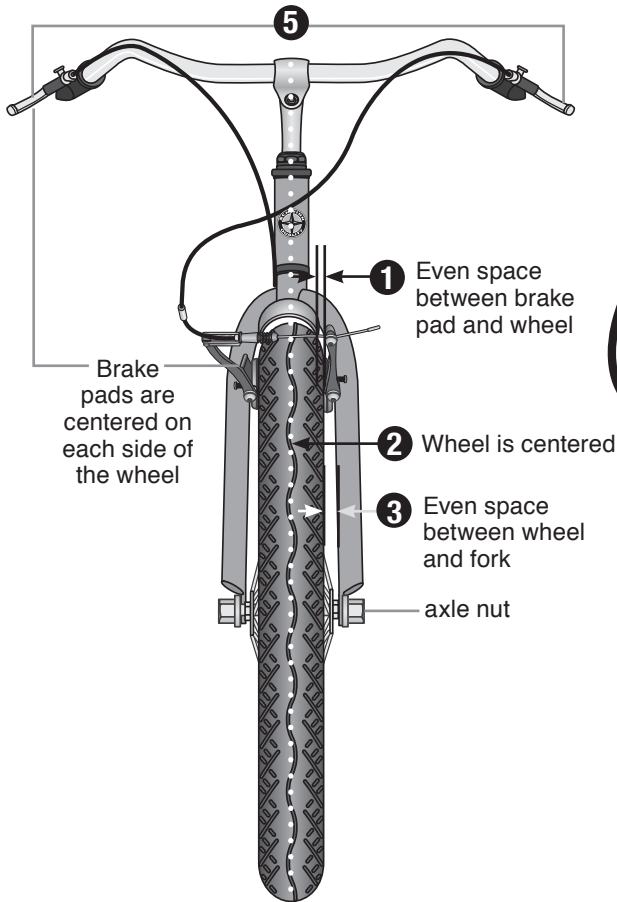
Using a Phillips head screwdriver, adjust the brake arm screws on either side of the brake arm.

Note: Turning the screw **counterclockwise** moves the pad away from the rim. Turning the screw **clockwise** moves the pad towards the rim.

Start with the side where the pad is closest to the rim or is not moving properly. Turn the screw to move the pad towards or away from the rim.

Adjustments to these screws should be made in small increments, one-quarter to one-half turn then checked by activating the brake lever three to four times after each adjustment. If you continue to adjust the screw until you have noticeable movement you will run out of adjustment.

5. Pull and release the brake lever a few times and check if the pads are centered.
6. If necessary, repeat steps one and two until the brake pads are centered and the gap between the pads and rim is between 1-2 mm.



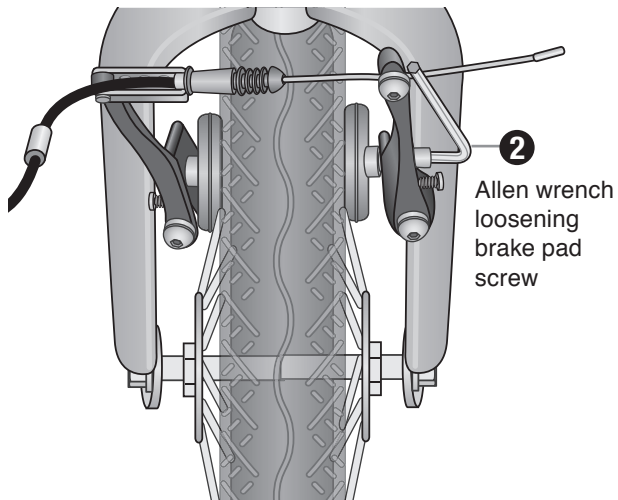
Note: If you run out of adjustment capability on one side, adjust the screw on the opposite side. If you run out of adjustment capability on both screws do a minor adjustment to the brake cable. Adjustments should be made to each side as equally as possible to prevent running out of adjustment capability. See **Adjust the Brake Cable**) and repeat steps four through six.

Aligning the Brake Pads

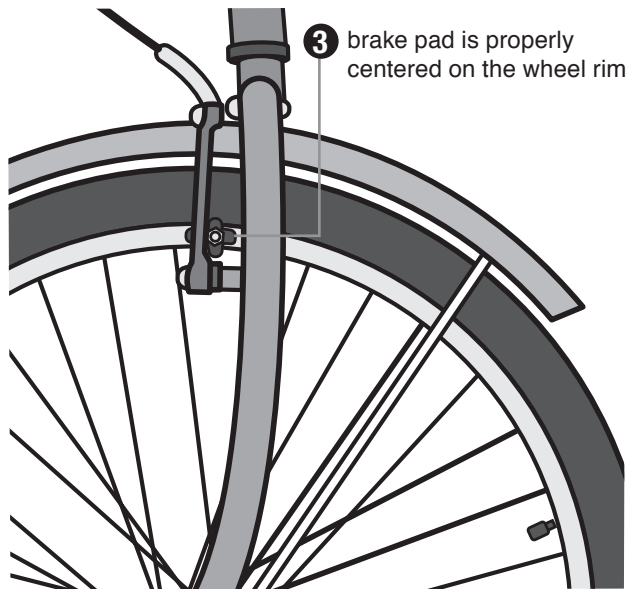
Tools: 5 mm Allen wrench

Pad alignment should be done before centering. improper alignment can cause centering issues. For example the pad could be touching the tires or part of the pad may be contacting the rim.

1. Check for proper brake pad alignment on the wheel rim. If necessary, adjust the position or rotation of the pads.

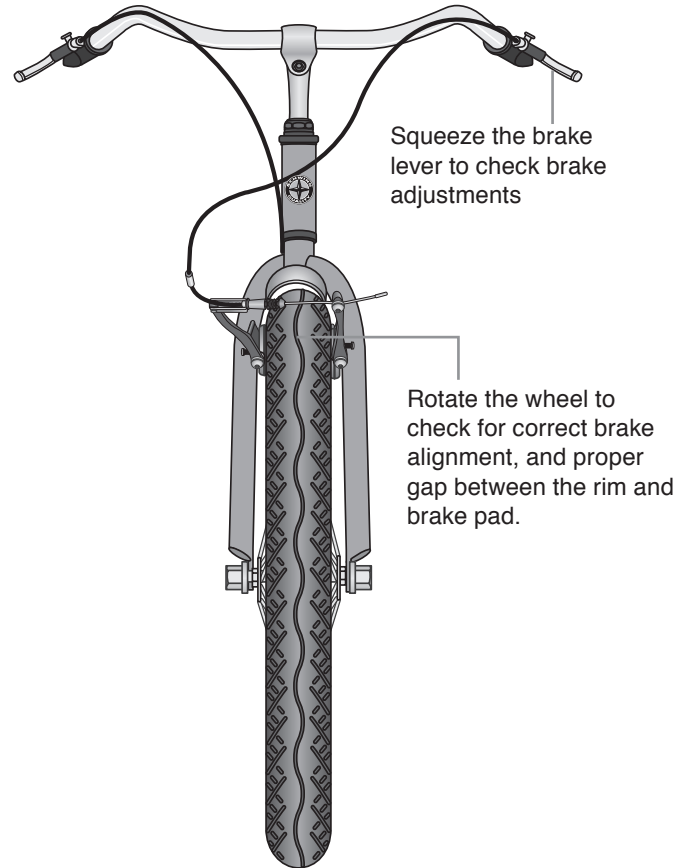


2. Using a 5 mm Allen wrench, loosen the screw holding the pad.
3. Move and rotate the pad so it is centered on the rim and parallel with the ground.
4. After properly positioning the pad tighten the screw.



Front Brake Adjustment Checks

1. Squeeze the brake lever as hard as you can several times to determine the cable is securely attached and the brake pads return to the center position.
2. Squeeze on the brake lever and check the brake cable tension allows the brake lever to travel about one-third of the way towards the handlebar when the brake pads make contact with the rim.
3. Check that both brake pads move evenly when the brake lever is squeezed and retract completely when the brake lever is released.
4. Rotate the wheel and check the gap between the brake pads and rim is 1-2 mm.



Check the brakes



Failure to properly set the brakes may result in the inability to stop the tricycle movement and cause serious injury or death. Always check the brakes are functioning properly before using the tricycle.

NOTICE

Lubricating the drum can cause faulty braking.

Tools: 10 mm wrench or adjustable wrench.

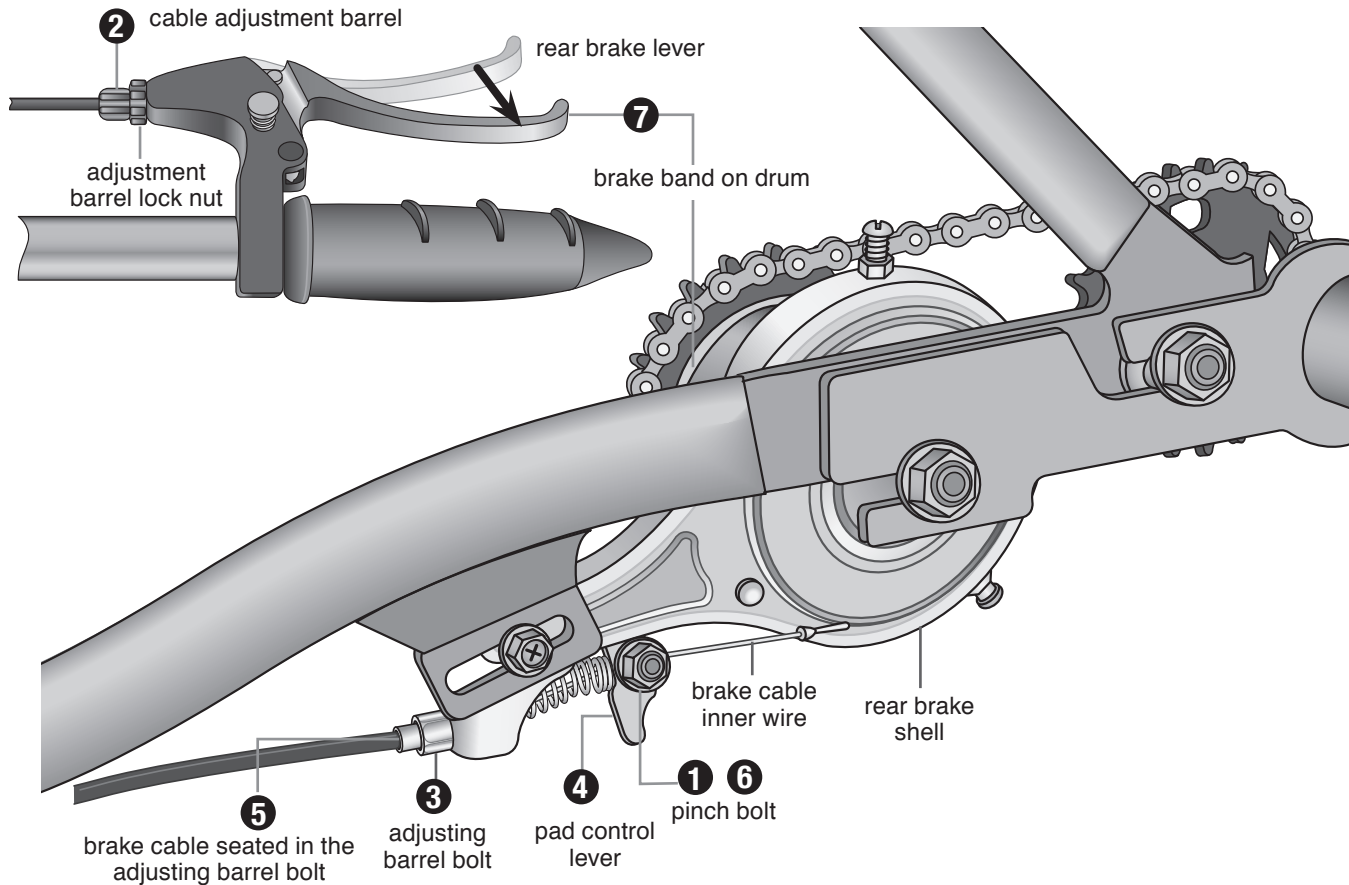
The tricycle is shipped with the rear brake assembled and connected. If the brake cable is not attached to the brake lever see ***Attach the Front Brakes*** for the steps to re-attach the cable and lever.

If the brake cable is disconnected at the brake arm, pull the brake cable taught and connect it to the brake arm by tightening the cable anchor bolt as described on pages 19 and 20.

The rear brake is a band brake system. Follow the steps to adjust the rear brake:

1. Loosen pinch bolt on pad control lever with a 10 mm open ended or adjustable wrench.
2. Loosen the cable adjustment barrel on the brake lever two turns and tighten the adjustment barrel lock nut.
3. Loosen the adjusting barrel bolt three full turns.
4. Push the pad control lever toward the front of the bike and hold it there with one hand.
5. Use the other hand to pull the brake cable tight making sure that the cable housing remains seated in the adjusting barrels.
6. Retighten the pinch bolt on the pad control lever using 10 mm open ended or adjustable wrench.
7. Press the brake lever until the brake band contacts the drum. This should occur when the brake lever is about one third of the way to the handle bar.

Important! Brake band will wear over time. Turn the adjusting barrel to compensate for brake band wear. Replace the brake band before it is completely worn.



Brake Locking Buttons

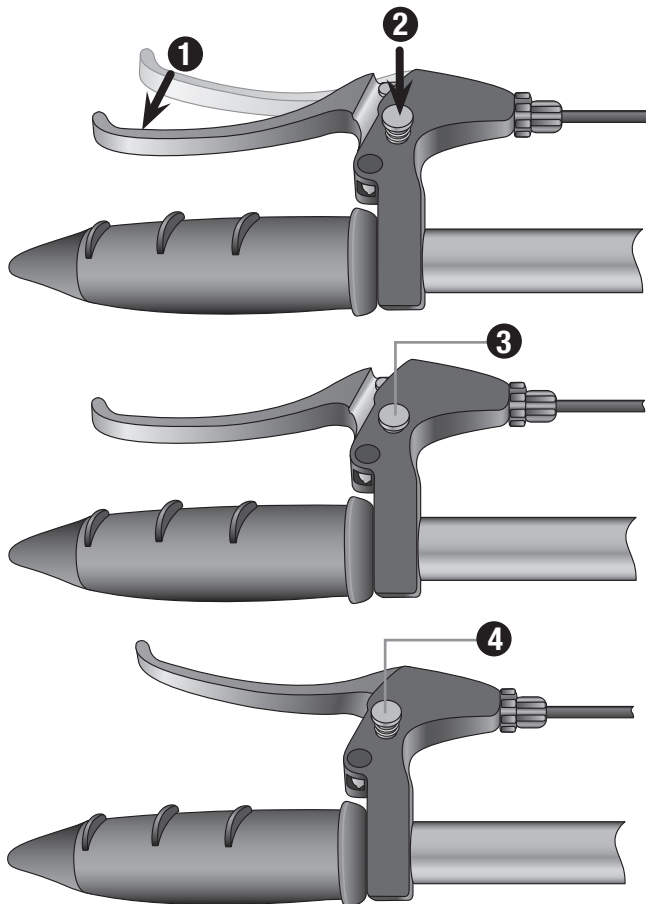
Both the rear and front brake handles are equipped with brake locking buttons. The purpose of the brake locking button is to keep your tricycle from rolling when you have it parked.

To **lock** the brakes:

1. Squeeze the brake lever tight.
2. While holding the brake lever closed, press down on the brake lever button.
3. Release the brake lever while holding down on the brake lever button. The brake will now be in the **locked** position.

To **unlock** the brakes:

4. Squeeze the brake lever tight and release. The brake should now be **unlocked**.



Attach the Rear Fenders

Parts: Rear Fenders, rear frame

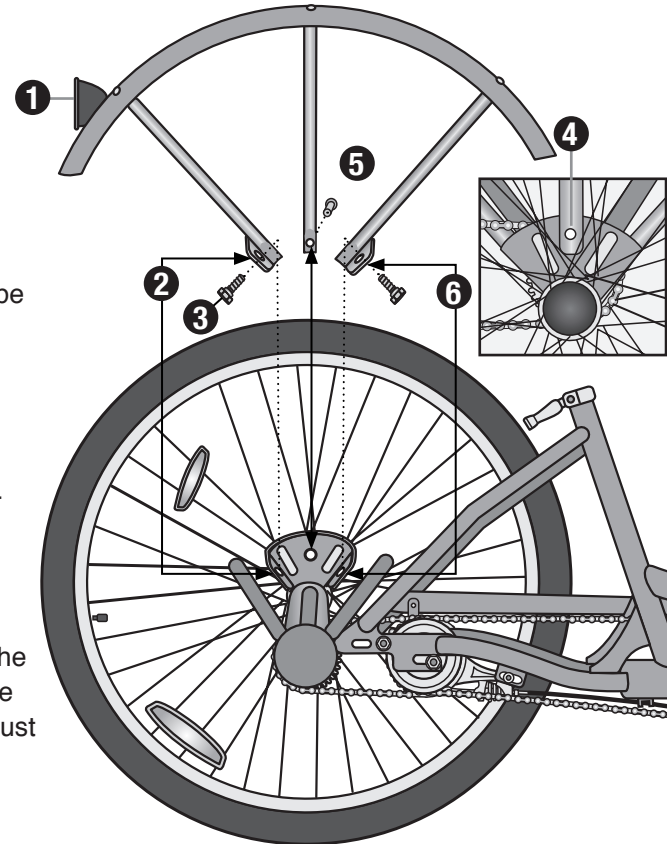
Tools: Phillips head screwdriver (minimum 4" shaft)

Hardware: 3 small screws

The hardware comes attached to the frame. Remove the hardware before you begin this procedure.

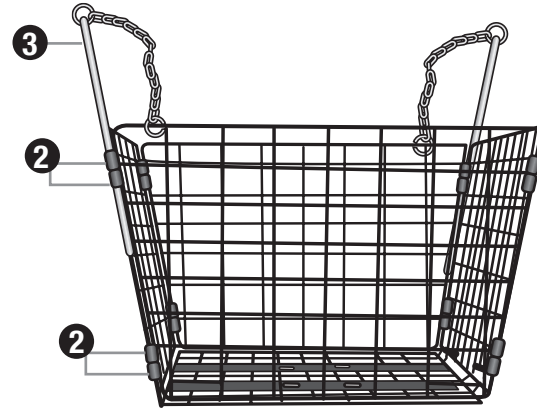
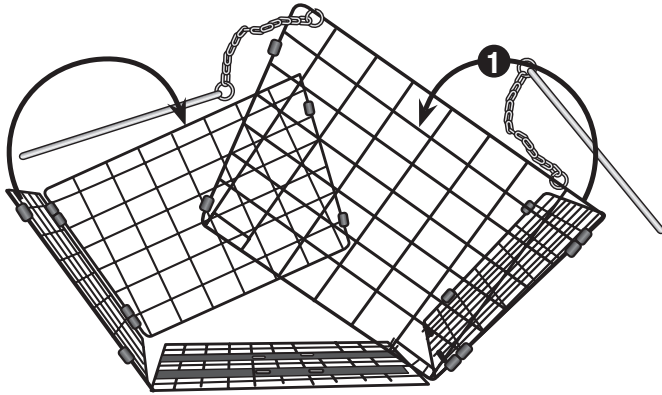
1. Position the fender so the rear reflector is facing away from the bike.
2. Align the slots on the fender tabs with the slots on the rear frame tabs. **Note:** The tabs on the fender should be on the outside of the tabs on the rear frame tabs.
3. Working from the inside of the wheel, fasten a screw through the side holes of the fender tab into the rear frame tabs.
4. Rotate the rear wheel until there is adequate space for the Phillips head screwdriver to reach through the spokes to the fender hole.
5. Working from the outside of the wheel, fasten a screw through the center fender hole into the center hole of the rear frame. **Note:** Be sure that the fender has adequate clearance from the wheels. It may be necessary to adjust the fender slightly to properly align with the wheels.

6. Repeat steps one through five for the second fender.



Assemble the Wire Basket

1. Fold the basket sides up.
2. Align the rings located on two corners of the basket.
3. Insert the pins on the end of the chain through the rings on the corners of the basket



WARNING!

DO NOT EVER PUT A CHILD OR A PET IN THE BASKET! The bike is built for one person only and the basket is not built to hold a passenger.

Attach the Wire Basket

Parts: Wire basket, rear frame

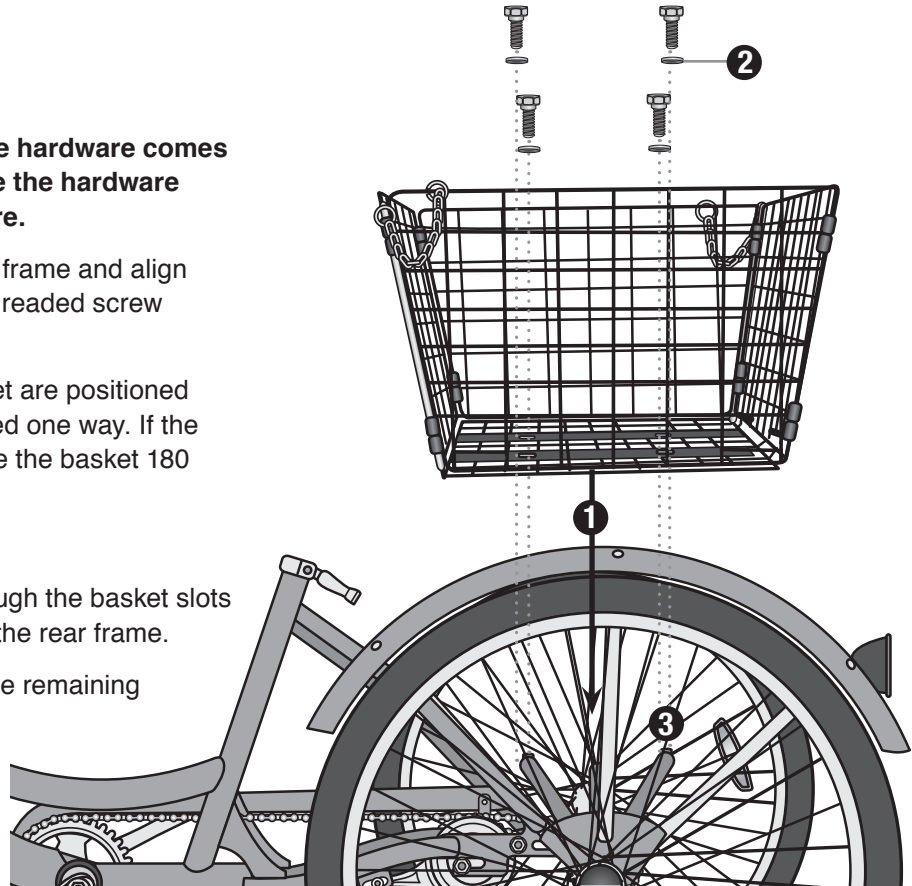
Tools: Phillips head screwdriver

Hardware: 4 screws, 4 washers **The hardware comes attached to the frame. Remove the hardware before you begin this procedure.**

1. Place the wire basket on the rear frame and align the slots on the basket with the threaded screw holes in the frame.

Note: The slots on the wire basket are positioned so the basket can only be attached one way. If the slots do not line up properly rotate the basket 180 degrees.

2. Insert a washer onto the screw.
3. Insert the screw and washer through the basket slots onto the threaded screw hole on the rear frame.
4. Repeat steps two and three for the remaining washers and screws.



Attach the Saddle

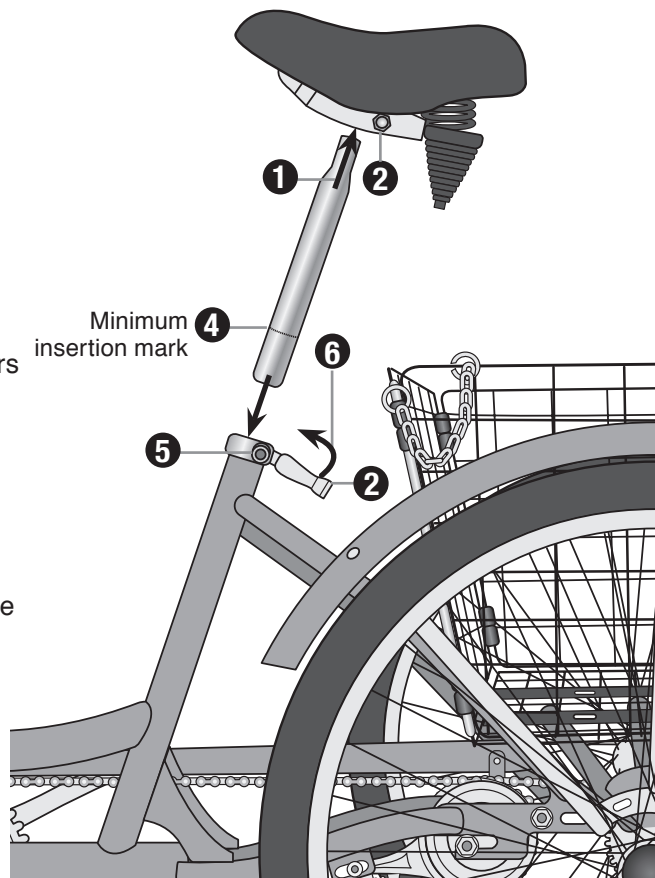
WARNING!

Insufficient locking pressure on the seat stem may result in the seat slipping, loss of control and serious injury or death. Be sure the seat is locked and capable of supporting the weight of the rider before using the tricycle.

Parts: Saddle, Saddle stem

Tools: 14 mm open and box end wrench, Adjustable Pliers

1. Place the saddle on the saddle stem.
2. Tighten the nuts on each side of the saddle stem until the saddle is securely attached to the stem.
3. Release the quick release clamp.
4. Place the saddle stem into the frame seat tube until the *Minimum Insertion* mark is not visible.
5. Turn the adjusting nut until there is sufficient pressure to hold the seat in place when the quick release lever is closed.
6. Close the quick release clamp.



Attach the Pedals

NOTICE: Attaching a pedal to the incorrect side can strip the pedal threads and cause irreparable damage. Visually match the **R** and **L** stickers on the pedal and crank arm before attaching the pedals.

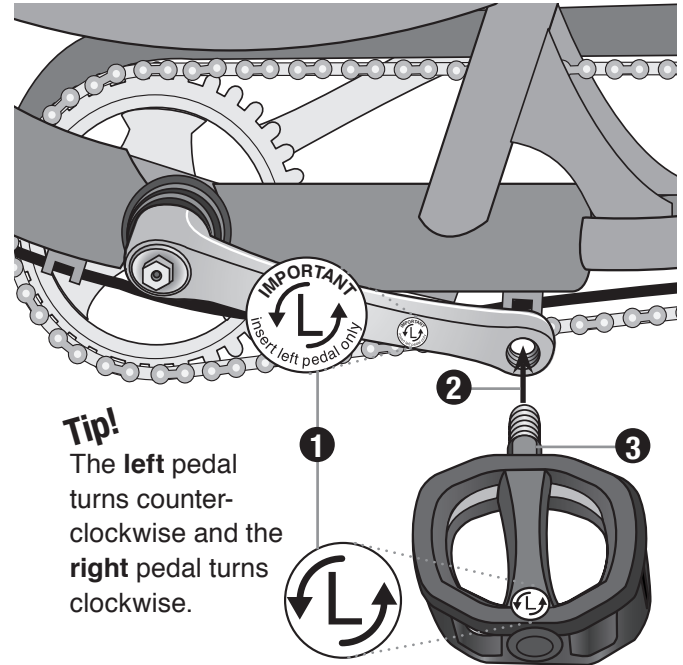
Parts: Left and right pedals, crank arms

Tools: 15mm open and box end wrench, Adjustable Pliers

1. Match the pedal marked **R** with the right-hand crank arm, and match the pedal marked **L** with the left-hand crank arm.
2. Place the threaded pedal into the threaded hole on the crank arm.
4. By hand, slowly turn the spindle toward the front of the tricycle. Clockwise for right side pedal, counterclockwise for left side pedal.

Important! Stop if you feel resistance! This may be an indication the spindle is entering the hole at an angle. Remove the spindle and redo step four.

5. If the spindle is entering the hole cleanly then use a 15 mm wrench or pliers to tighten completely.
6. Repeat steps two through five for the opposite pedal.



Adjust the Handlebar

WARNING!

Failure to firmly tighten the handlebar stem wedge bolt, handlebar binder bolt, seat stem, and bar end extension clamping bolts may cause a sudden shift of the handlebar or seat and result in loss of control, falling, serious injury or death. Be sure the stem wedge bolt, handlebar binder bolt, seat stem, and bar end extension clamping bolts are firmly tightened before using the tricycle.

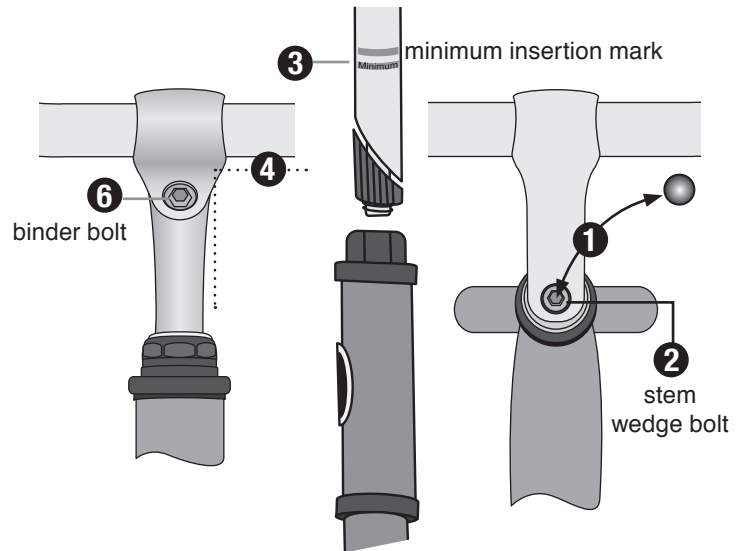
Adjust the handlebar height and angle so the rider is comfortable and has complete control.

Follow these steps to adjust the handlebar:

Tools: 6 mm Allen wrench

1. Remove the cap covering the stem wedge bolt.
2. Unscrew the stem wedge bolt until the pressure on the stem wedge is released.
3. Adjust the height of the stem, above the **Minimum Insertion** line, until the rider feels they have control of the tricycle and are comfortable.

4. Rotate the handle bar so it is **square** with the fork.
5. Tighten the stem wedge bolt to lock the stem in place.
6. Loosen the handlebar binder bolt and rotate the handlebar until the rider feels they have control of the tricycle and are comfortable.
7. Tighten the handlebar binder bolt until the handlebar is locked in place.



Adjust the Seat

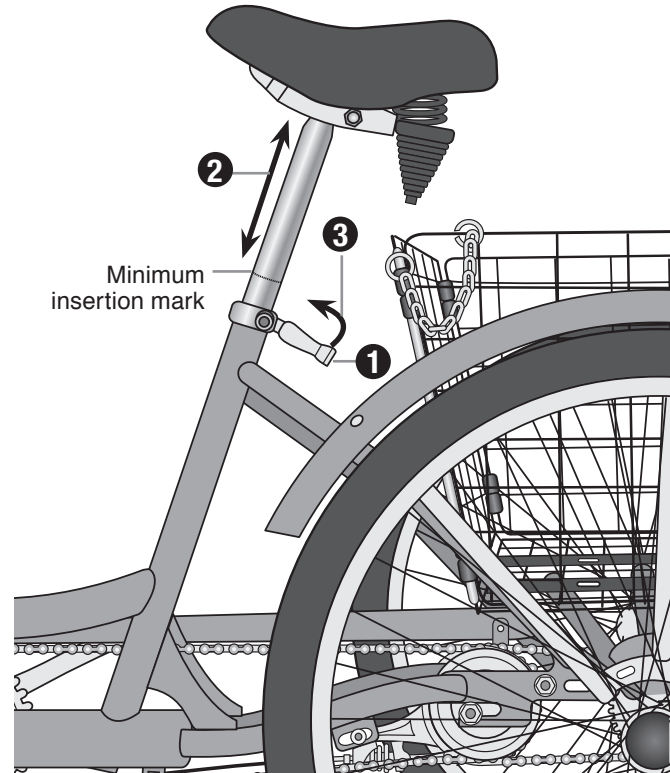
WARNING!

Failure to insert the handlebar and seat stems beyond the “Minimum Insertion” line may cause the stem to break resulting in damage to the stem, loss of control, falling, serious injury or death. Insert the handlebar and seat stem into the frame until the **Minimum Insertion Mark** is not visible.

If necessary, adjust the seat height and angle so the rider is comfortable and has complete control.

Tools: 14mm open and box end wrench, Adjustable Pliers

1. Release the quick release seat clamp.
2. Adjust the height of the seat until the rider feels they have control of the tricycle and are comfortable.
3. Lock the quick release seat clamp.



6 Use

WARNING!

Failure to follow all local and state regulations and laws pertaining to tricycle use as well as the safety warnings in this manual may result in serious injury or death. Always follow all local and state regulations and laws pertaining to tricycle use, follow the safety warnings in this manual and use common sense when riding the tricycle. Always conduct a pre-ride check of the tricycle condition before riding.

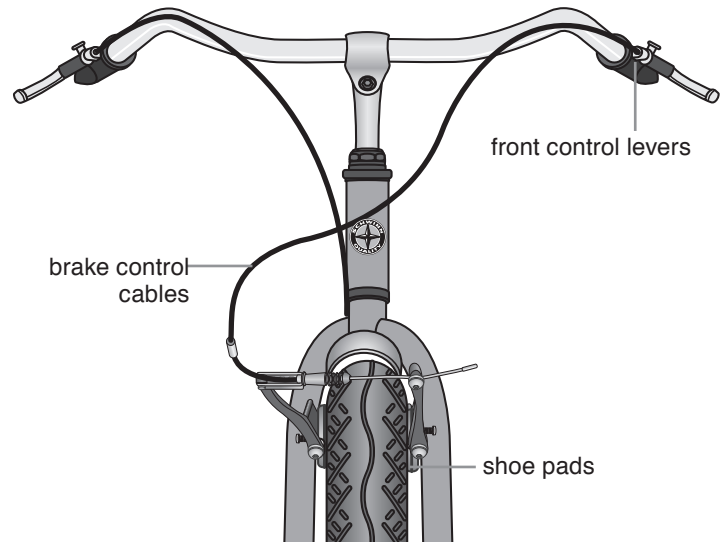
Pre-Ride Checklist

Use the following checklist to ensure your tricycle is in proper working condition before riding the tricycle.

Brakes:

- The front and rear brakes work properly.
- The brake shoe pads are not overly worn and are correctly positioned in relation to the rims.

- The brake control cables are lubricated, correctly adjusted and display no obvious wear.
- The brake control levers are lubricated and tightly secured to the handlebar.

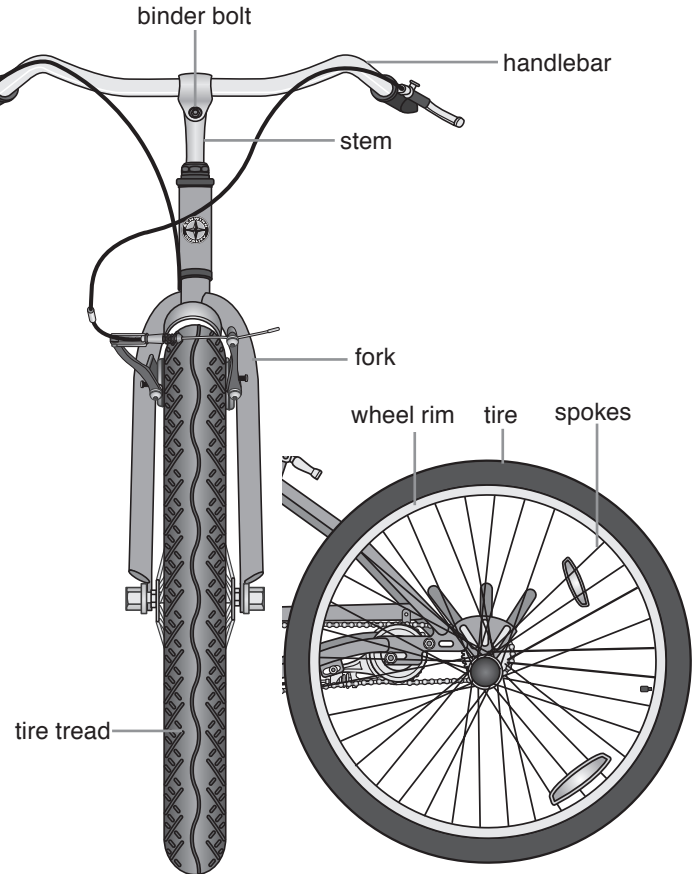


Wheels and Tires

- The rims do not have dirt or grease on them.
- The wheels are properly attached to the tricycle and the axle nuts are tight.
- The wheel spokes are not loose or broken.
- The wheel rotation is smooth and there is no side to side movement.
- The tires are inflated to within the recommended pressure as displayed on the tire sidewall.
- The tires have tread and there are no bulges or excessive wear.

Steering

- The handlebar and stem are correctly adjusted and tightened, and allow proper steering.
- The handlebars are set correctly in relation to the forks and the direction of travel.
- The handlebar binder bolt is tightened.



Chains

- The chains are oiled, clean and run smoothly
Note: Extra maintenance is required in wet or dusty conditions.

Bearings

- All bearings are lubricated, run freely and display no excess movement, grinding or rattling (Note: Check headset, wheel bearings, pedal bearings and bottom bracket bearings).

Cranks and Pedals

- The pedals are securely tightened to the crank arms.
- The crank arms are securely tightened to the axle and are not bent.

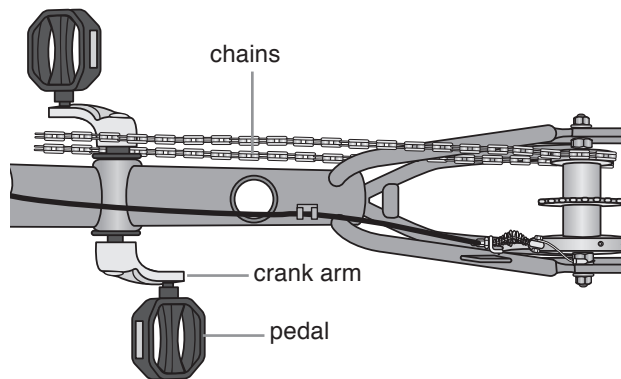
Frame and Fork

- The frame and fork are not bent or broken
Note: If either are bent or broken, call customer service.

Accessories

The reflectors are good shape, properly placed and not obscured.

- All other fittings on the bike are properly and securely fastened, and functioning.
- The rider is wearing a properly fitted helmet (protective gear if necessary) and that clothing and loose items are properly constrained.



6 Maintenance and Troubleshooting

WARNING!

Failure to conduct maintenance on the tricycle may result in malfunction of a critical part and serious injury or death. Proper maintenance is critical to the performance and safe operation of the tricycle. The recommended intervals and need for lubrication and maintenance may vary depending on conditions the tricycle is exposed to. Always inspect the tricycle and conduct necessary maintenance before each use of the tricycle.

This section presents important information on maintenance and will assist you in determining the proper course of action to take if you do have a problem with the operation of the tricycle.

If you have questions regarding maintenance please call our customer service, toll free, at **1-800-626-2811** or see a qualified tricycle mechanic. Do not call the store where the tricycle was purchased.

Lubrication Schedule

Component	Lubricant	Method
Weekly		
Chains	Chain lube or light oil	Brush on or squirt
Brake calipers	Oil	Three drops from oil can
Brake levers	Oil	Two drops from oil can
Every Six Months		
Freewheel	Oil	Two drops from oil can
Brake cables	Lithium based grease	Remove cable from casing. Grease entire length. Wipe off excess lubrication from other surfaces.
Brake lever and caliper pivot points	Light oil	Two to three drops from oil can
Pedals: that cannot be disassembled	Light oil	Two drops from oil can onto the inside bearings
Yearly		
Bottom bracket	Lithium based grease	Disassemble
Pedals	Lithium based grease	Disassemble
Wheel bearings	Lithium based grease	Disassemble
Headset	Lithium based grease	Disassemble
Seat stem	Lithium based grease	Disassemble
Pedals: that can be disassembled		See tricycle mechanic for maintenance.

NOTE: The frequency of maintenance should increase with use in wet or dusty conditions. Do not over lubricate. Remove excess lubricant to prevent dirt build up. **Never** use a degreaser to lubricate your chains (WD-40®).

Parts Maintenance

Wheels

Frequency: Inspect and maintain before each use.

Inspect	Action	Maintenance
Rims	Inspect for dirt and grease	Use a clean rag or wash with soapy water, rinse, and air dry.
Wheels	Check the wheels are securely fastened to the tricycle and axle nuts are tight.	Adjust if necessary and tighten axle nuts.
	Spin wheel and check rotation / alignment is true	See tricycle mechanic for repair.
Spokes	Check for broken or loose spokes	See tricycle mechanic for repair.
Hub Bearings	Lift each wheel and see if there is movement side to side	See "Hub Bearings" for more detail or tricycle mechanic for repair.

Tires

Frequency: Inspect and maintain before each use

Inspect	Action	Maintenance
Tire Inflation	Check tire pressure	Inflate tire to the pressure indicated on the tire sidewall. See “Inflating a Tire Tube” for more detail. If the tire is flat see “Fixing a Flat Tire” for more detail.
	Check the bead is properly seated while inflating or refitting the tire.	Reduce air pressure in the tube and re-seat the bead.
	Spin wheel and check rotation / alignment is smooth and even.	Loosen axle nut(s) and adjust until properly seated. If the Hub Bearings need repair see Hub Bearings on page 44 for more detail or tricycle mechanic for repair.
Bead Seating	Check for broken or loose spokes	See tricycle mechanic for repair.
Tread	Inspect for signs or excessive wear, flat spots or cuts and damage.	Replace tire.
Valves	Check that valve caps are fitted and free of dirt.	Clean dirt from the valve.

Brakes

Frequency: Inspect and maintain before each use

Inspect	Action	Maintenance
Levers	Check the levers are securely fastened to the handlebar.	Position the levers to fit the rider's grip and screw tight to handlebar.
Pads	Check pad position, gap and pressure.	See all sections under "Assemble the Front Brake". See Rear Brake Adjustment .
Cables	Check the outer casing for kinks, stretched coils and damage. Check cables for kinks, rust, broken strands or frayed ends. Check the outer casing for kinks, stretched coils and damage.	Replace cable.
	Check the housing is seated properly into each cable stop of the tricycle.	It is recommended that the cables and housing be replaced every riding season.

Drivetrain (pedals, chains, chainwheel, crank set, freewheel)

Frequency: as noted

Inspect	Action	Maintenance
Pedals	Every month, check each pedal is securely set and tighten into the crank arm.	If necessary, re-set and tighten.
	Before each ride, check each front and rear pedal reflectors are clean and in place.	Clean or replace.
Pedal Bearings	Every month, check the pedal bearings are properly adjusted. Move the pedal up and down, left and right. If looseness or roughness is detected adjustment, lubrication or replacement is required.	See tricycle mechanic for repair.
Chains	<p>Every week, check the chains are clean, properly lubricated, rust free, and is not stretched, broken, or have stiff links.</p> <p>Every week, check chain tension is correct on both chains:</p> <ol style="list-style-type: none"> 1. Set a straightedge against the bottom of the front chainwheel and rear sprocket. 2. Pull up on the bottom of the chain. 3. If movement is more than 10 mm adjust the position of the rear frame. 	<p>Lubricate if necessary. Replace if rusted, stretched, or broken.</p> <p>Loosen bolts holding the rear frame and move it until the chain is taut and moves less than 10 mm. Check the rear frame is “square” to the main frame and firmly tighten the bolts holding the rear frame.</p>

Drivetrain maintenance continued . . .

Inspect	Action	Maintenance
Crank Set	Every month, check the crank set (crank arms, chain rings, and bottom bracket axle and bearings) is correctly adjusted and tight. Remove the primary chain	Replace cable.

Hub Bearings

Hub bearings require special thin wrenches called “cone wrenches”. If you do not own these tools, do not attempt hub bearing adjustments. Have a qualified tricycle mechanic perform the adjustment if you have any doubts.

1. Check to make sure neither locknut is loose.
2. To adjust, remove wheel from tricycle and loosen the locknut on one side of the hub while holding the bearing cone on the same side with a cone wrench.
3. Rotate the adjusting cone as needed to eliminate free play.
4. Re-tighten the locknut while holding the adjusting cone in position.
5. Re-check that the wheel can turn freely without excessive side play.

Inflating the Tire Tube

WARNING!

An unseated tire can rupture unexpectedly and cause serious injury or death. Be sure the tire is properly seated when inflating the tube.

CAUTION!

Over inflation or inflating the tube too quickly may result in the tire blowing off the rim and damage the tricycle or cause injury to the rider. Always use a hand pump to inflate the tube. Do not use a gas station service pump to inflate the tube.

Follow these steps to inflate a tire:

1. Remove the valve cap.
2. Add air.
3. Be sure the tire is evenly seated on the rim, both sides.
4. Spin the wheel and check for high and low areas.

5. Complete inflation.
6. Be sure the tire is evenly seated on the rim, both sides. If not release some air and repeat steps three through six.
7. Check for dirt in the valve cap or stem. If necessary, clean dirt from cap or stem.
8. Securely replace the valve cap on the stem.

Repairing a Flat Tire



WARNING!

An unseated tire can rupture unexpectedly and cause serious injury or death. Be sure the tire is properly seated when inflating the tube.

Follow these steps to fix a flat tire:

1. Match tube size and tire size (see tire sidewall for size).
2. Remove wheel from tricycle. Deflate tire completely.
3. Squeeze the tire beads into the center of the rim.
4. Opposite the valve, use a tricycle tire lever to pry the tire bead up and out of the rim. Repeat around the wheel until one bead is off the rim.
5. Remove tube. Release second tire bead. Remove tire.
6. Carefully inspect inside of the rim and tire for the cause of the flat.
7. Inflate the tube $\frac{1}{4}$ full and place inside tire.
8. Insert the valve stem through valve stem hole in rim.
9. Start at the valve stem and install the first bead onto the rim. Repeat for the second bead.
10. Slowly inflate the tire, checking the tire is seated properly and not pinched as the tire is inflated.
11. Inflate to recommended pressure (see tire sidewall).

LIMITED WARRANTY AND POLICY ON REPLACEMENT PROCEDURES & RESPONSIBILITIES

Your purchase includes the following warranty which is in lieu of all other express warranties. This warranty is extended only to the initial consumer purchaser. No warranty registration is required. This warranty gives you specific legal rights and you may have other rights which vary from state to state.

FRAME

Steel frames are guaranteed against faulty materials and workmanship for as long as the initial consumer purchaser has the tricycle, subject to the condition of the warranty listed below. If frame failure should occur due to faulty materials or workmanship during the guarantee period, the frame will be replaced. For frame replacement under this Pacific Limited Warranty, contact us, stating the nature of the failure, model number, date received and the name of the store from which the bike was received, at the address given on this page.

Frame must be returned for inspection at customer's expense. Please note: the fork is not part of the frame. A lifetime warranty on your frame does not guarantee that the product will last forever. The length of the useful life cycle will vary depending on the type of bike, riding conditions and care the tricycle receives. Competition, jumping, downhill racing, trick riding, trial riding, riding in severe conditions or climates, riding with heavy loads or any other non-standard use can substantially shorten the useful product life cycle. Any one or a combination of these conditions may result in an unpredictable failure that is not covered by this warranty. All tricycles and frame sets should be periodically checked by an authorized dealer for indications of potential problems, inappropriate use or abuse. These are important safety checks and are very important to help prevent accidents, bodily injury to the rider and shortened useful product life cycle.

PARTS

Schwinn offers a limited lifetime warranty on parts of the unit, except Normal Wear Parts, for a period of 1 year from the date of purchase by the initial consumer purchaser,

subject to the Terms and Conditions of the warranty listed below. If failure of any part should occur due to faulty materials or workmanship during the warranty period, the part will be replaced. All warranty claims must be submitted to the address located on the back cover, and must be shipped prepaid and accompanied by proof of purchase. Any other warranty claims not included in this statement are void. This especially includes installation, assembly, and disassembly costs. This warranty does not cover paint damage, rust, or any modifications made to the tricycle. Normal Wear Parts are defined as grips, tires, tubes, cables, brake shoes and saddle covering. These parts are warranted to be free from defects in material and workmanship as delivered with the product. Any claim for repair or replacement of Normal Wear Parts (grips, tubes, tires, cables, brake shoes and saddle covering) and missing parts must be made within thirty (30) days of the date of purchase. The warranty does not cover normal wear and tear, improper assembly or maintenance, or installation of parts or accessories not originally intended or compatible with the tricycle as sold. The warranty does not apply to damage or failure due to accident, abuse, misuse, neglect, or theft. Claims involving these issues will not be honored.

CONDITIONS OF WARRANTY

1. Your tricycle has been designed for general transportation and recreational use, but has not been designed to withstand abuse associated with stunting and jumping. This warranty ceases when you rent, sell, or give away the tricycle, ride with more than one person, or use the tricycle for stunting or jumping.
2. This warranty does not cover ordinary wear and tear or anything you break accidentally or deliberately.
3. It is the responsibility of the individual consumer purchaser to assure that all parts included in the factory-sealed carton are properly installed, all functional parts are initially adjusted properly, and subsequent normal maintenance services and adjustments necessary to keep the tricycle in good operating condition are properly made. This warranty does not apply to damage due to improper installation of parts installation or any kind of power plant or internal combustion engine, modification or alteration of the brakes, drive train or frame in any way or failure to properly maintain or adjust the tricycle.

NOTICE: Tricycle specifications subject to change without notice.

8 Purchase Record

Fill out this record and retain it as well as your sales receipt a record of your purchase and potential warranty claims.

Name: _____

Address: _____

State/City/Zip: _____

Date of Purchase: _____

Place of Purchase: _____

Serial Number: _____

Model Number: _____

Date Code: _____

SCHWINN®

ADULTO TRICICLO MANUAL DEL USUARIO

ESTE MANUAL CONTIENE IMPORTANTE INFORMACIÓN DE SEGURIDAD, FUNCIONAMIENTO Y MANTENCIÓN. LEA ESTE MANUAL ANTES DE EFECTUAR SU PRIMERA SALIDA EN SU NUEVA BICICLETA Y MANTÉNGALO A MANO PARA FUTURA REFERENCIA.

CONTENIDO

1.- Introducción.

Palabras y símbolos de seguridad.....	2
---------------------------------------	---

2.- Seguridad

Responsabilidad del usuario.....	2
Equipo de protección y vestimenta.....	3
Seguridad al usar la bicicleta.....	4
Uso en clima húmedo.....	4
Conducción Nocturna.....	5

3.- Piezas..... 6

4.- Armado

Comenzando la organización.....	8
Organización inicial – Unir el Manubrio.....	8
Unir el Marco Trasero.....	9
Unir la Cadena Secundaria.....	11
Unir las Ruedas Traseras.....	12
Unir el Guardabarros Delantero.....	13
Unir la Rueda Delantera.....	15
Armar el Freno Delantero.....	17
	18

Ajuste del Freno trasero.....	25
Botones de bloqueo del Freno.....	27
Colocar guardafangos traseros.....	28
Armado de la Cesta Metálica.....	29
Unir la Cesta Metálica.....	30
Unir la Silla / montura.....	31
Unir los Pedales.....	32
Ajuste del Manubrio.....	33
Ajuste del Asiento.....	34

5.- Uso..... 35

Revisión Previa al Uso.....	35
-----------------------------	----

6.- Mantenimiento y Solución de Problemas.... 40

Mantenimiento de piezas.....	40
Rodamientos del Eje Central.....	44
Inflar la Cámara de Neumáticos.....	45
Reparación de Pinchazos.....	46

7.- Garantía..... 47

8.- Registro de Compra..... 50

1 INTRODUCCION

Este manual contiene información importante en cuanto a la seguridad, armado, uso y mantención del triciclo, pero no pretende ser un manual completo que cubre todos los aspectos relacionados a la posesión de bicicletas. Recomendamos consultar a un especialista si tiene alguna duda o pregunta sobre su experiencia o capacidad para armar y mantener correctamente el triciclo.

Nuestro departamento de Servicio al Cliente está dedicado a su satisfacción con Pacific Cycle y sus productos. Si tiene dudas o si necesita ayuda en cuanto al armado, piezas, rendimiento o devoluciones, por favor contacte a los expertos de Pacific Cycle.

Disfrute su paseo

Número Gratuito: 1-800-626-2811.

Horario de Servicio al Cliente: 8 am – 5 pm
(horario estándar central) De Lunes a Viernes.

También puede contactarnos en:

Web: www.schwinnbikes.com

Email: customerservice@pacific-cycle.com

Correo: Pacific Cycle

4902 Hammersley Road

Madison, WI 53711

No devuelva este producto a la tienda. Si necesita asistencia, por favor llame al servicio al cliente de Pacific Cycle.

Simbología de Seguridad

La siguiente inducción a la seguridad conlleva un mensaje sobre la seguridad. La simbología le alerta sobre potenciales riesgos. El incumplimiento de la advertencia puede ocasionar daños a la propiedad, lesiones o incluso la muerte.

ADVERTENCIA!

Este símbolo indica una práctica riesgosa o poco segura que resultara en heridas severas o la muerte.

El no leer, comprender y no seguir correctamente la información de seguridad en este manual puede resultar en heridas serias o la muerte.

¡PRECAUCION!

Indica una práctica riesgosa o poco segura que puede resultar en heridas menores.

ATENCIÓN

Indica riesgo de daños no relacionados a personas, tales como daño a la propiedad.

Responsabilidad del usuario

- Todas las personas que armen, usen y mantengan este triciclo deben leer y comprender las advertencias de seguridad e instrucciones de operación que están en este manual antes de usar el triciclo.
- Es de responsabilidad del usuario, o en el caso de que el usuario sea un niño, de un adulto, el asegurarse que el triciclo este en sus condiciones correctas de operación antes de cada uso. Vea “Revisión Previa al Uso” en la sección de “Uso” de este manual.
- Un adulto responsable debe supervisar el uso de este triciclo cuando lo use un niño. Usted debe revisar:
 - Que el niño esté usando el atuendo de protección adecuado y un casco de bicicleta aprobado.
 - Que el niño esté sentado con seguro y que el triciclo esté ajustado apropiadamente para el niño.
 - Que el niño entienda las leyes aplicables y las reglas de sentido común del uso responsable de bicicletas.

Equipo de Protección y Vestimenta

Siempre use atuendos apropiados al usar su triciclo, **usted debería usar:**

- Colores que sean fácilmente vistos y, en lo posible, ropas reflectantes.
- Ropa apropiada para las condiciones del clima.
- El uso de equipo de protección tal como rodilleras y coderas es altamente recomendado para niños.
- Cada vez que use el triciclo, usted debe usar un casco para bicicleta apropiadamente ajustado, aprobado por la Sociedad Americana de Calificación de Materiales (ASTM) o por la Fundación de aprobación de Cascos SNELL. Para más Información sobre como ajustar un casco visite:

<http://www.nhtsa.gov/people/injury/pedbimot/bike/easystepweb>

Nota: Algunos estados tienen leyes sobre el uso de cascos en niños. Siempre siga las regulaciones locales o estatales en cuanto al uso de cascos.

No usar:

- Partes de ropas sueltas, cadenas, joyas que puedan enredarse con las piezas móviles del triciclo o que interfieran con el manejo del triciclo.

- Pantalones con piernas muy sueltas. Si es necesario, ponga sus pantalones doblados dentro de su calcetín o use una banda elástica para sus piernas con objetivo de evitar que la ropa quede atrapada en la cadena de transmisión.
- Zapatos con cordones sin atar

Uso de Reflectores y Luces

- Las regulaciones federales exigen que cada bicicleta de más de 16 pulgadas estén equipadas con reflectores en las ruedas traseras y delanteras así como reflectores en los pedales.
- Algunos estados pueden requerir dispositivos de seguridad específicos. Siempre siga las regulaciones estatales o locales en requerimientos de dispositivos de seguridad.
- Siempre revise que los reflectores estén en su lugar antes de usar el triciclo.
- Para ayudar a mejorar su visibilidad para los conductores de automóviles, use luces delanteras y traseras.

Seguridad al usar su triciclo.

- Familiarícese con todas las características del triciclo antes de usarlo. Practique los cambios de marcha, frenar, y el uso de huinchas de seguridad para pedales, si es que están instaladas.

- Siempre maneje a la defensiva en una línea recta predecible. Nunca maneje en contra del tránsito.
- Concéntrese en el camino delante de usted. Evite baches, gravilla, marcas de charcos, aceite, cunetas, bandas de frenado, rejillas de desagüe y otros obstáculos.
- Cruce líneas de tren en un Angulo de 90 grados o maneje su bicicleta en diagonal.
- Espere lo inesperado (ej. apertura de puertas de autos o autos saliendo de casas).
- Tenga un cuidado extra en las intersecciones y cuando se prepare para sobrepasar a otros vehículos.
- Mantenga una distancia prudente de todos los otros conductores, vehículos y objetos. Las distancias seguras para frenar están sujetas a las condiciones meteorológicas vigentes. No asegure los frenos. Cuando frene, siempre aplique el freno trasero en primer lugar, y después el delantero. El freno delantero es más poderoso y si no se usa correctamente, usted puede perder el control y caer.
- Siempre use señales manuales correctas para indicar si doblara o se detendrá.
- Obedezca las leyes del tránsito (por ejemplo, detenerse en las luces rojas o señales de detención, ceder el paso a peatones, etc.).
- Usar atuendo de manejo apropiado, reflector si es posible, y evitar zapatos abiertos.
- Evitar usar pantalones sueltos. Si está usando pantalones sueltos, guarde la pierna del pantalón doblada dentro de su calceta o use bandas elásticas para pantalones para prevenir que queden atrapadas en la cadena de transmisión.
- No use dispositivos que puedan restringir su audición.
- No cargue paquetes o pasajeros que puedan interferir con su visibilidad o control del triciclo.

Clima Húmedo

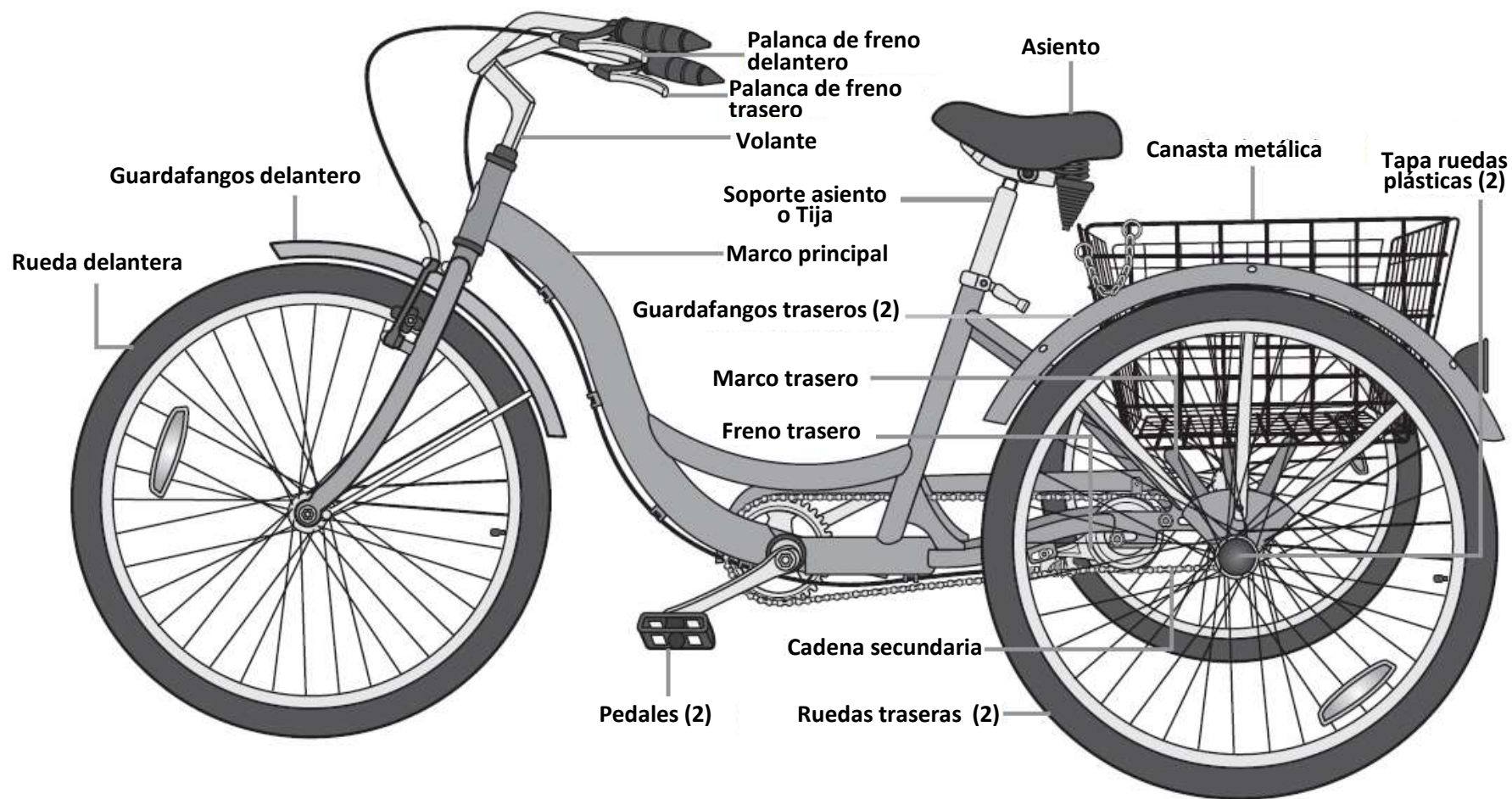
- Esté consciente de las condiciones en que se encuentre el camino. Los baches y superficies resbalosas tales como marcaciones de líneas y líneas de tren se vuelven más riesgosas cuando hay humedad.
- Disminuya su velocidad de manejo, evite frenar repentinamente y dobleces bruscos.
- Frenar requerirá distancia adicional. Frene lentamente y antes de lo usual.
- Use ropa reflectante y use luces de seguridad para mayor visibilidad

Conducción por la noche.

- Usar el triciclo durante la noche no es recomendado. Revise leyes locales o regulaciones para uso de luces nocturnas al manejar de noche su triciclo.
- Revise que su bicicleta esté equipada con un set completo de reflectores limpios y bien posicionados.
- Use una luz blanca al frente y una luz roja atrás. Si es posible use luces intermitentes. Las luces intermitentes aumentan la visibilidad.
- Si usa luces que funcionan con baterías, revise que las baterías estén bien cargadas.
- Use ropa colorida y reflectora.
- Disminuya la velocidad y use caminos que tengan luz en sus calles.
- Conduzca de noche solo si es necesario.


3 PARTES

Antes de armar, revise y vea que todas las piezas estén incluidas. Si hay partes que faltan o que están dañadas, llame gratuitamente a servicio del cliente al número **1-800-626-2811**



4 IMPLEMENTOS DE ARMADO

Fijadores del Manubrio

 Tapa de pie de cuña

Fijadores de armado del Marco



4 tuercas



4 golillas

Fijadores de Cadena Secundaria

Cadena Secundaria



2 Eslabones maestros

Fijadores para Eje de Rueda Frontal



2 Tuercas

Fijadores de Eje de Rueda Trasera



2 tapas plásticas

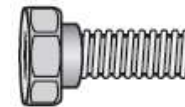


2 tuercas



2 golillas

Fijadores para la Canasta Metalica



4 tornillos



4 golillas

Fijador para Guardafangos trasero



5 MONTAJE

ADVERTENCIA!

Un armado incorrecto del triciclo puede provocar un desempeño inesperado del producto y heridas graves o la muerte. Arme el triciclo de acuerdo a las instrucciones de este manual o haga que un mecánico profesional de bicicletas arme este triciclo.

Organizándose

Se requieren las siguientes herramientas y artículos para el armado del producto:

- Un destornillador de punta cruz (con punta de tamaño mínimo 4 pulgadas)
- Llaves Allen de 6mm y 10mm.
- Llave ajustable o inglesa o de medidas 10mm, 15mm y 17mm y llaves de punta corona.
- Alicates de punta con capacidad para cortar cables.
- Grasa (de automotor o grasa antideslizante de cobre)

Armado Inicial- Colocar el Manubrio

Piezas: Manubrio, Marco principal o Cuadro.

Herramientas: El tornillo del vástago del manillar y el Perno de fijación vienen unidos al manubrio. Tapa tornillo de vástago del manillar.

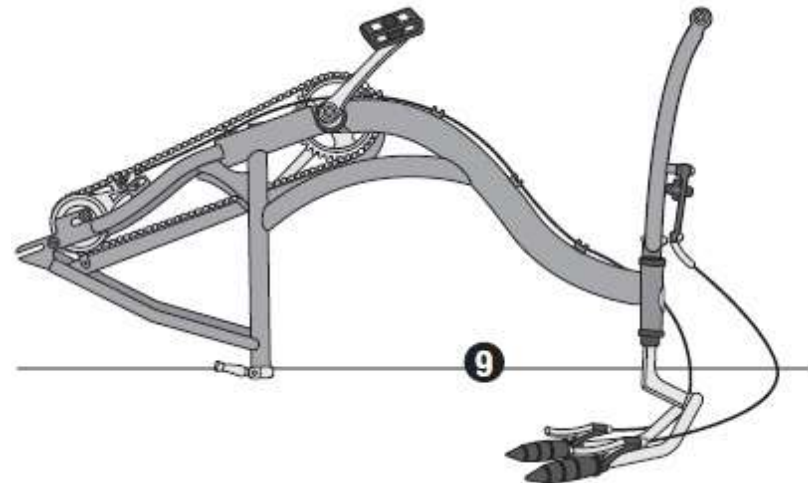
Herramientas: Llaves Allen de 6mm, Grasa

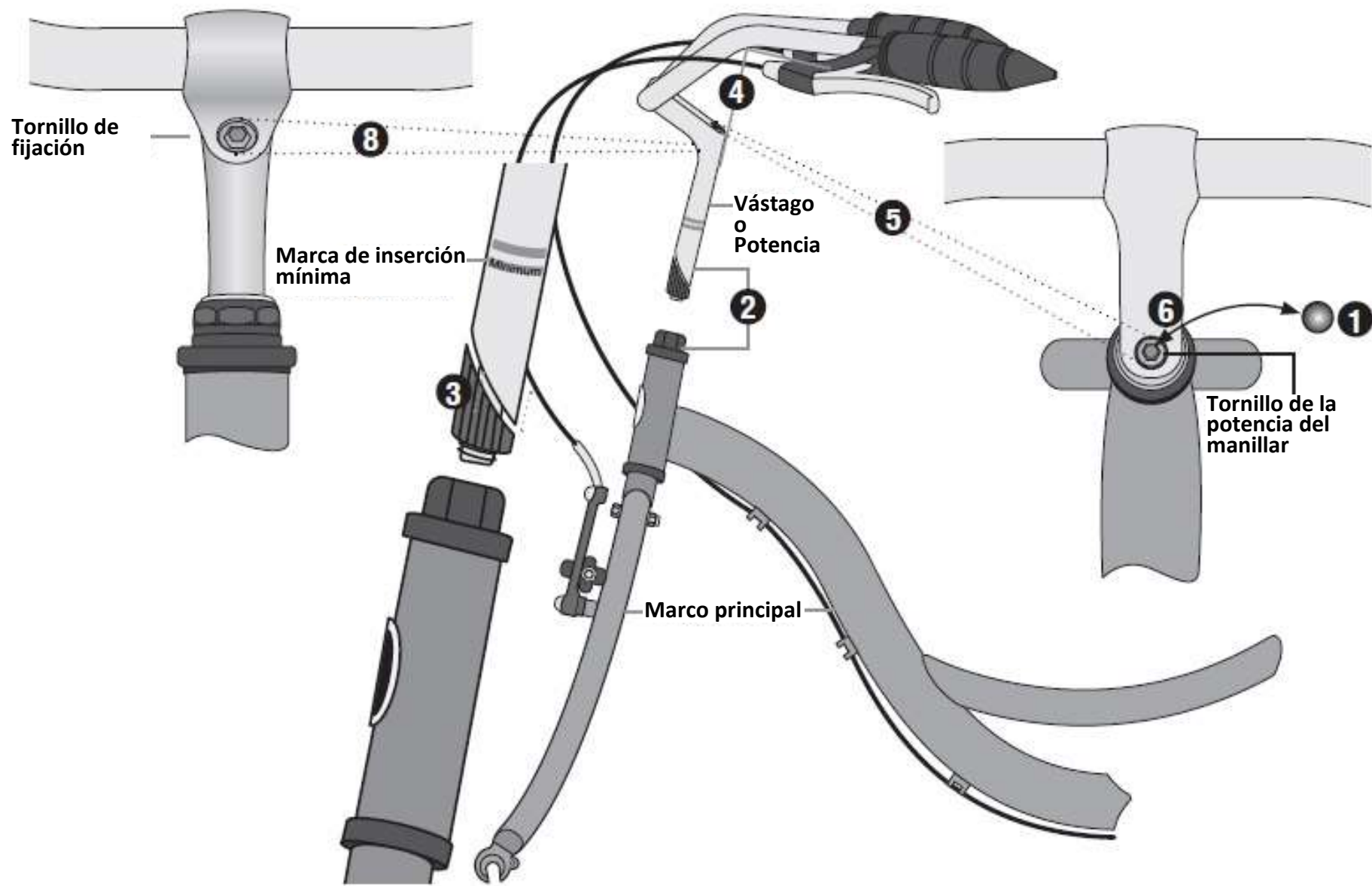
1. Quite la tapa que cubre el tornillo de la potencia del manillar.
2. Aplique una capa delgada de grasa a la potencia y al tubo de dirección del marco.
3. Inserte la potencia del manubrio en el tubo de dirección del marco hasta que la marca de **“inserción mínima”** no esté visible. Si es necesario, afloje el tornillo de la potencia del manillar hasta que haya movimiento en ella.

NOTA

La potencia puede romperse o puede ocurrirle algún daño si no está correctamente insertado en su distancia mínima. Inserte el tubo de la potencia hasta que la marca de **“inserción mínima”** no esté visible.

4. Gire el manubrio para que esté **“cuadrado/alineado”** con la horquilla.
5. Apriete el tornillo de la potencia para asegurarla en su lugar.
6. Ponga nuevamente la tapa en el tornillo de la potencia.
7. Afloje el perno de fijación del manubrio y gire el manubrio a la posición de conducción.
8. Usando la llave Allen de 6mm, apriete el perno de fijación del manubrio hasta que el manubrio esté firme en su sitio.
9. Invierta el armazón central del triciclo para que descance sobre el manillar y el marco principal





Unir el Marco Trasero

Piezas: Marco trasero, Marco principal.

Fijaciones: 4 tuercas, 4 tornillos cuadrados y 4 golillas estarán unidos previamente al marco. **Quite solamente las tuercas y las golillas.**

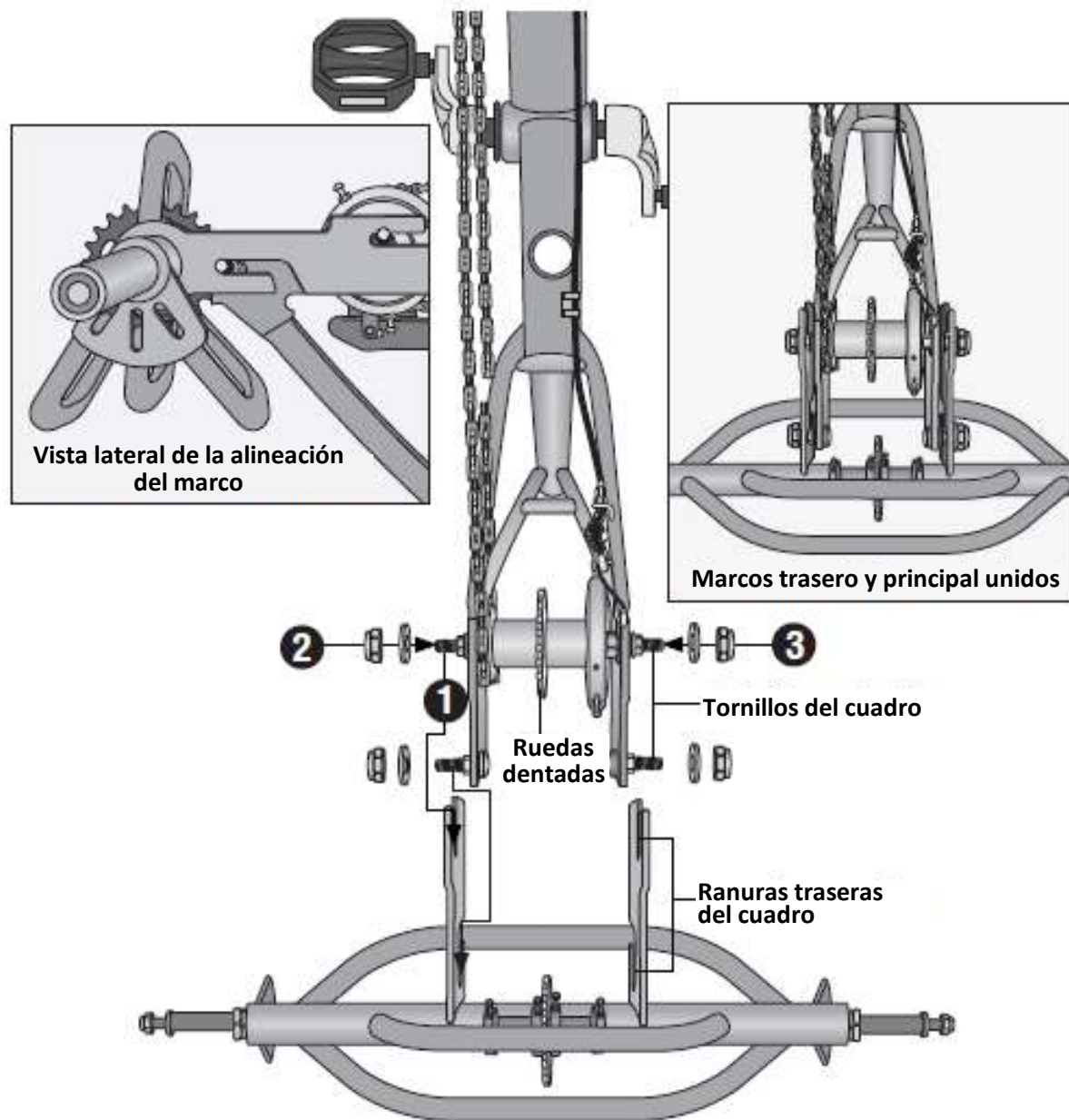
Herramientas: No se requiere herramientas.

1. Una el marco trasero y el marco principal insertando los tornillos del marco principal en los agujeros del marco trasero. Los tornillos en la parte frontal del marco principal (los más lejanos a los cambios) deben encajar en los agujeros posteriores del cuadro trasero. Los tornillos en la parte trasera del marco principal (los más cercanos a los cambios) deben encajar en los agujeros frontales del marco trasero.

2. Inserte una golilla en el extremo de un perno y ponga una tuerca en el extremo del perno.

Nota: no apriete las tuercas aun. Esto se llevara a cabo después de que se una la cadena secundaria al cuadro.

3. Repita el paso 2 con los demás tornillos.



Unir la Cadena Secundaria

Piezas: cadena secundaria, armazón del cuadro

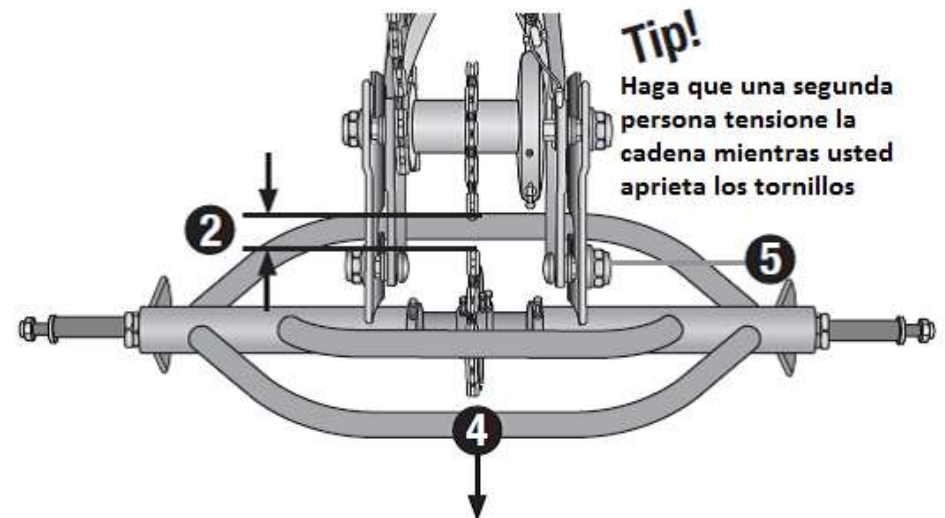
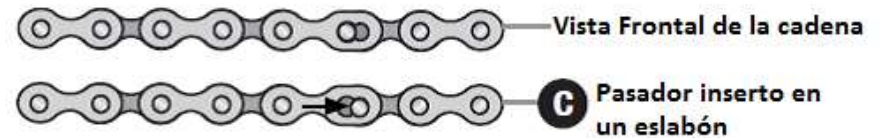
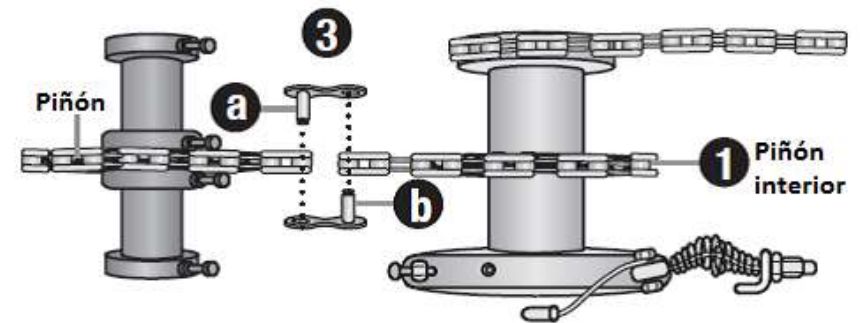
Fijaciones: 2 eslabones maestros

Herramientas: Llave inglesa de 17mm.

1. Encaje la cadena secundaria alrededor de la rueda de engranaje interna sobre el eje trasero y el cassette de velocidades (piñón) sobre el eje trasero.
2. Ajuste la posición del marco trasero hasta que los extremos de la cadena se junten, dejando solo el espacio de un eslabón de la cadena entre los extremos de ésta.
3. Para unir los dos extremos de la cadena:
 - a. Inserte el poste de un eslabón maestro por el agujero al final de la unión de la cadena secundaria.
 - b. Inserte el poste del otro eslabón maestro por el extremo opuesto de la cadena, en el lado opuesto de la cadena.
 - c. Tire la cadena para que los postes queden bien insertos en el agujero pequeño de la cadena maestra.
4. Tire el marco trasero hacia atrás para que la cadena secundaria esté tirante y haya menos de 5mm de juego hacia arriba y abajo.

Importante! Revise que el marco trasero esté perpendicular al marco principal. Un mal encuadre de marco afectará el rendimiento del triciclo.

5. Apriete firmemente los 3 tornillos sosteniendo el marco trasero unido al marco principal.



Colocar las Ruedas Traseras

ADVERTENCIA!

Si no se aprietan bien las tuercas que mantienen unidas las ruedas al triciclo se puede ocasionar un mal funcionamiento al conducir, puede hacer que se caiga el neumático y causar daños serios o la muerte. Siempre asegúrese de que las ruedas estén bien sujetas al cuadro antes de usar el triciclo.

Piezas: Rueda de transmisión, Rueda de arrastre.

Fijación: 2 tapas plásticas, 2 contratuercas, 2 golillas.
**Las contratuercas vienen puestas en el eje.
Quite las contratuercas antes que comience éste procedimiento.**

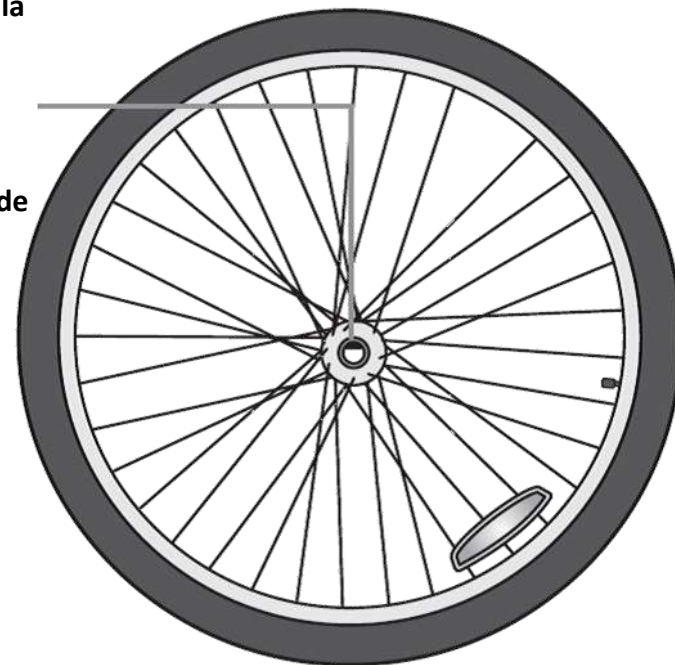
Herramientas: Llave combinada de 17mm.

Busque en la página siguiente los diagramas de los siguientes pasos:

1. Ponga la rueda de dirección (con la abertura dentada) en el eje.
2. Ponga la golilla en el eje.
3. Ponga la contratuerca en el eje y apriete firmemente.

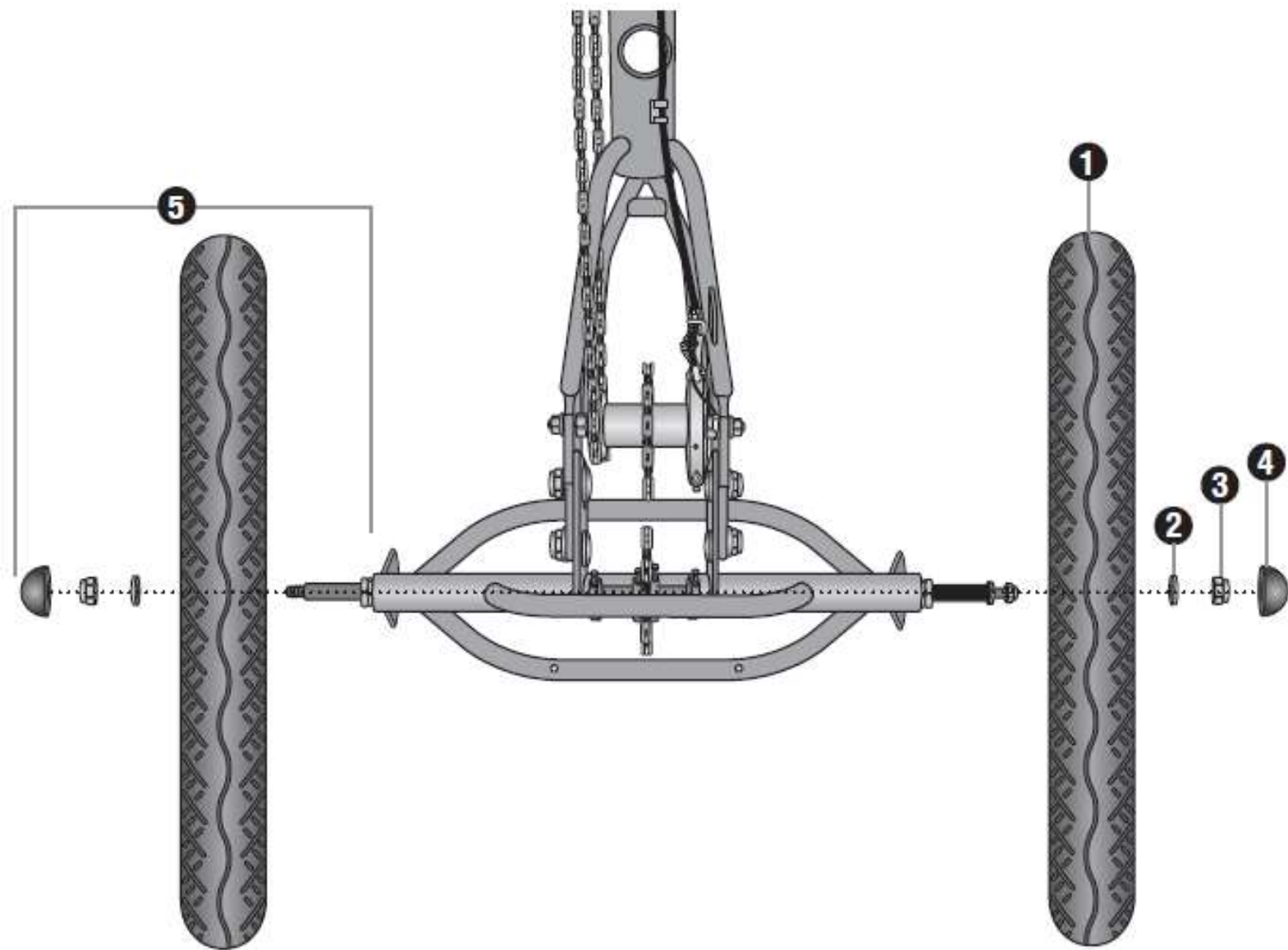
4. Atornille las tapas plásticas en los extremos del eje.

Nota: El eje de la rueda de dirección tiene una abertura dentada que encaja y coincide con el eje dentado.



5. Para unir las ruedas de arrastre (traseras) repita desde el paso 1 al 4.

Nota: Para prevenir que el eje se gire mientras está uniendo las ruedas de arrastre, es importante sostener la rueda de transmisión (o de dirección) mientras aprieta la contratuerca en las ruedas de arrastre.



Colocar el Guardafangos Delantero

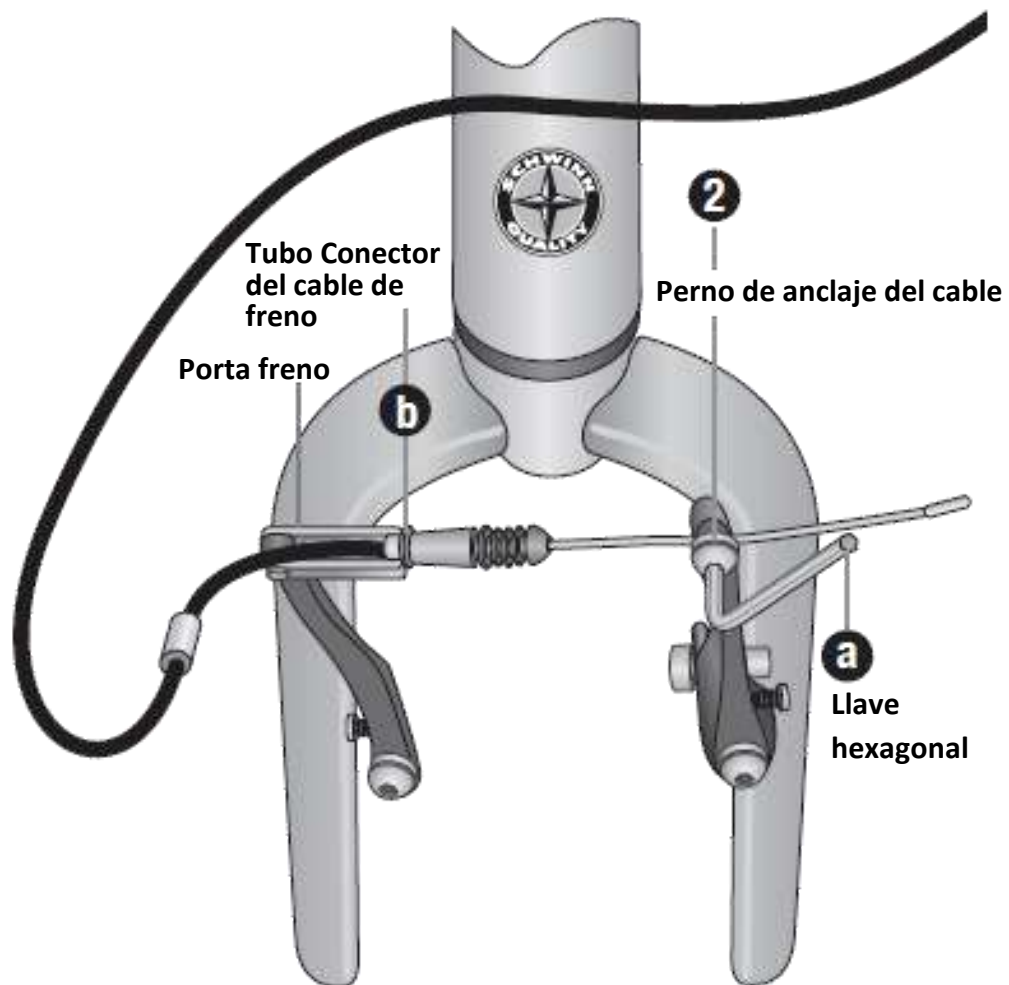
Piezas: Guardabarros Delantero, Marco principal.

Fijaciones: golilla, tornillo largo, tornillo corto.

Herramientas: Destornillador de cruz

Busque en la página siguiente los diagramas de los siguientes pasos.

1. Quite el protector de la horquilla (no se muestra en la imagen)
2. Desconecte el tubo conector del cable del freno del porta frenos:
 - a. Usando una llave Allen de 5mm para soltar el perno de anclaje del cable lo suficiente para que el cable pueda moverse libremente.
 - b. Suelte el conector del cable de freno y el cable del porta frenos.
3. Quite las piezas de la horquilla.



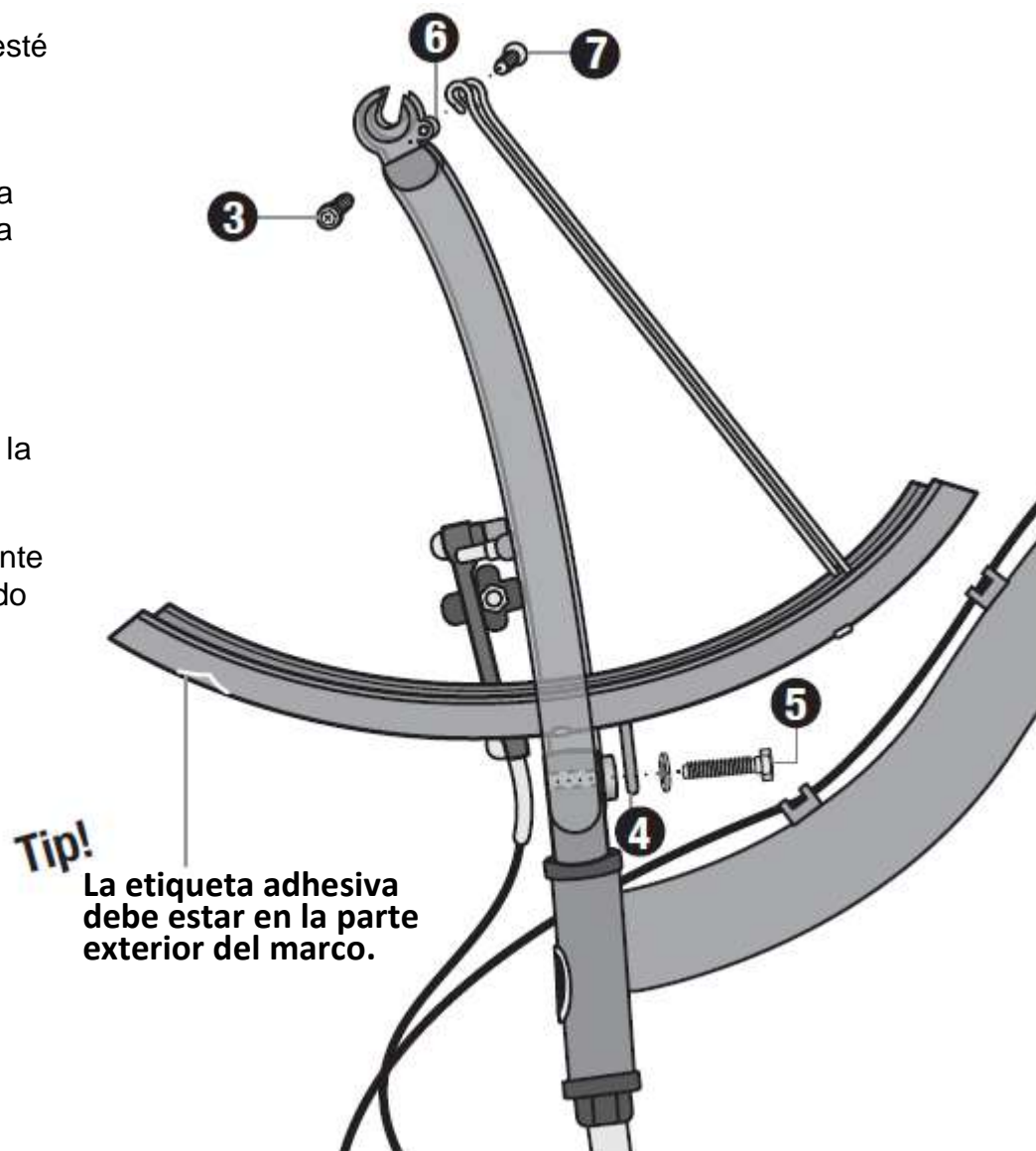
4. Coloque el guardafangos frontal de tal manera que esté dentro del cuadro y quede alineado con el agujero atornillable de la horquilla.

5. Ponga una golilla en el tornillo largo y deslícela por la barra de ajuste, y dentro del agujero atornillable en la horquilla.

6. Debe alinear los soportes del guardabarros con el agujero pequeño en los extremos de la horquilla.

7. Atornille sin apretar los soportes del guardafangos a la horquilla.

Nota: el guardafangos estará en su posición y firmemente apretado después que el neumático delantero este unido al armazón.



Colocar la Rueda Delantera

⚠️ ADVERTENCIA!

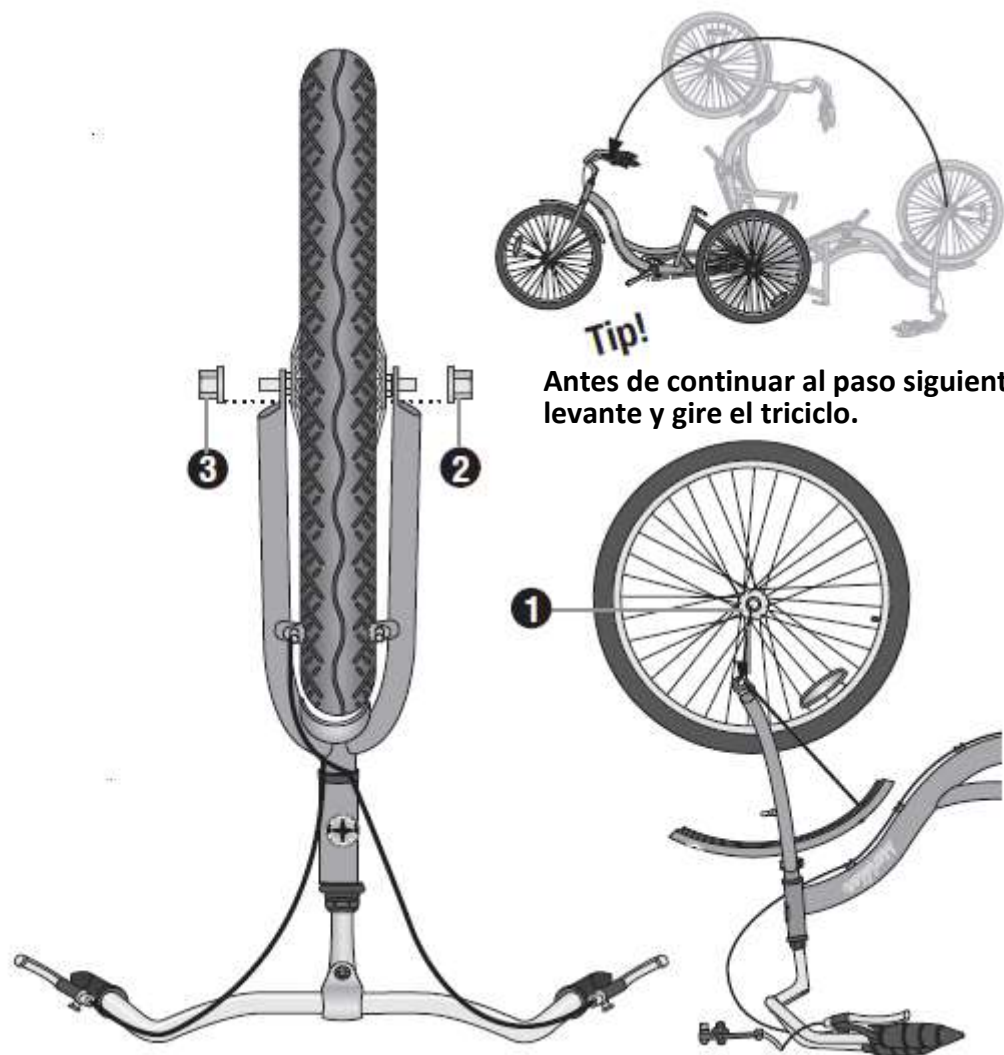
Si no aprieta las tuercas adecuadamente sosteniendo los neumáticos sobre el triciclo puede provocar un mal rendimiento en el manejo del triciclo, los neumáticos pueden salirse y causar heridas graves o la muerte. Asegúrese de que las ruedas estén unidas firmemente al marco antes de usar el triciclo.

Piezas: Rueda delantera, ensamble del cuadro.

Fijaciones: 2 tuercas grandes.

Herramientas: Llave inglesa combinada de 15mm,
Alicate ajustable (de presión)

1. Ponga la rueda delantera en los espacios de la horquilla. Revise que ambos lados del eje descansen en el metal y que la rueda esté centrada.
2. Ponga la tuerca sobre el eje y déjela sin apretar.
3. Ponga la otra tuerca en el lado opuesto sin apretar.
4. Apriete cada tuerca hasta que ambas estén firmemente fijadas, a un mínimo de 20 libra-pies (240 libra-pulgadas)
5. Inspeccione la rueda para que tenga una rotación sin desviaciones.

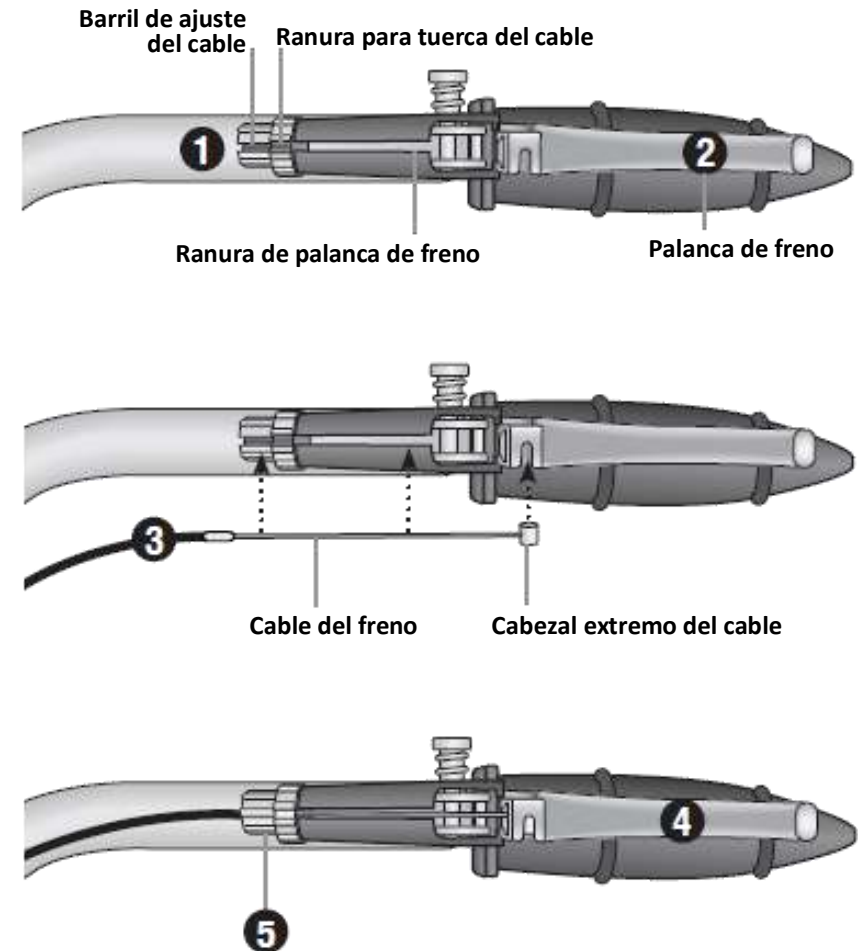


Colocar el Freno delantero

El no fijar los frenos apropiadamente puede provocar incapacidad de detener el triciclo en movimiento y causar heridas serias o la muerte. Revise que los frenos funcionen apropiadamente antes de usar el triciclo.

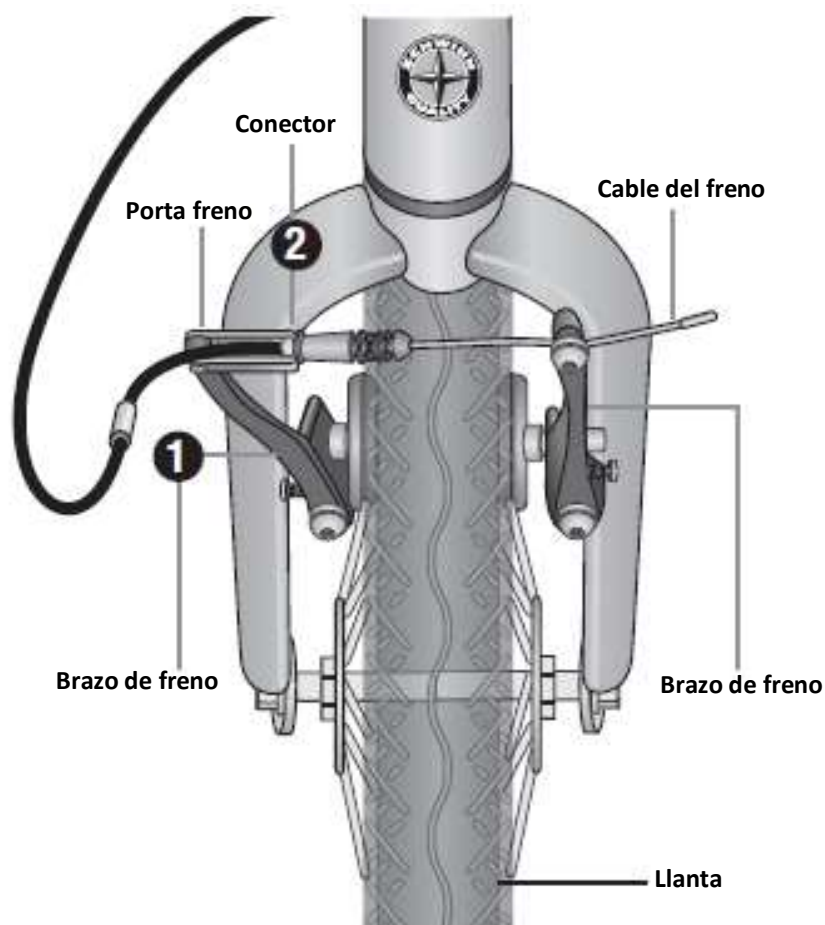
Nota: El triciclo se envía con el cable de freno unido a la palanca de freno. Siga estos pasos si hay necesidad de volver a unir el cable de freno a la palanca del freno.

1. Gire el casquillo de ajuste de cable y la tuerca del cable hasta que las ranuras estén alineadas con la ranura del cuerpo de la palanca de freno.
2. Presione la palanca de freno hacia la manilla.
3. Deslice el cable de freno a través de las ranuras y coloque el cabezal extremo del cable por dentro de la palanca de freno.
4. Suelte la palanca de freno.
5. Tire ligeramente el cable y gire la tuerca del cable y el tambor del cable de manera que ya no queden alineados.



Unir el Cable de Freno al Porta Freno

1. Apriete y junte los dos brazos de freno hasta que las zapatas de freno toquen la llanta.
2. Con la otra mano, tire el cable de freno e inserte el extremo del conector en el porta freno.



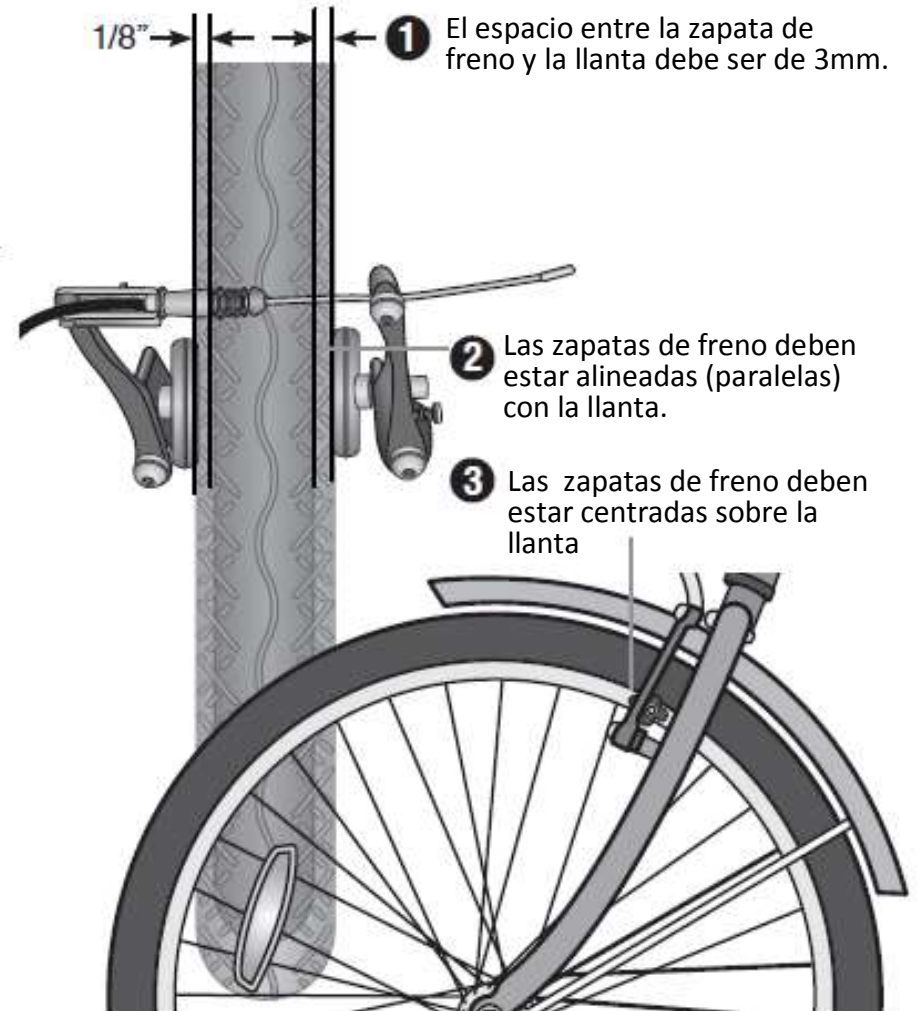
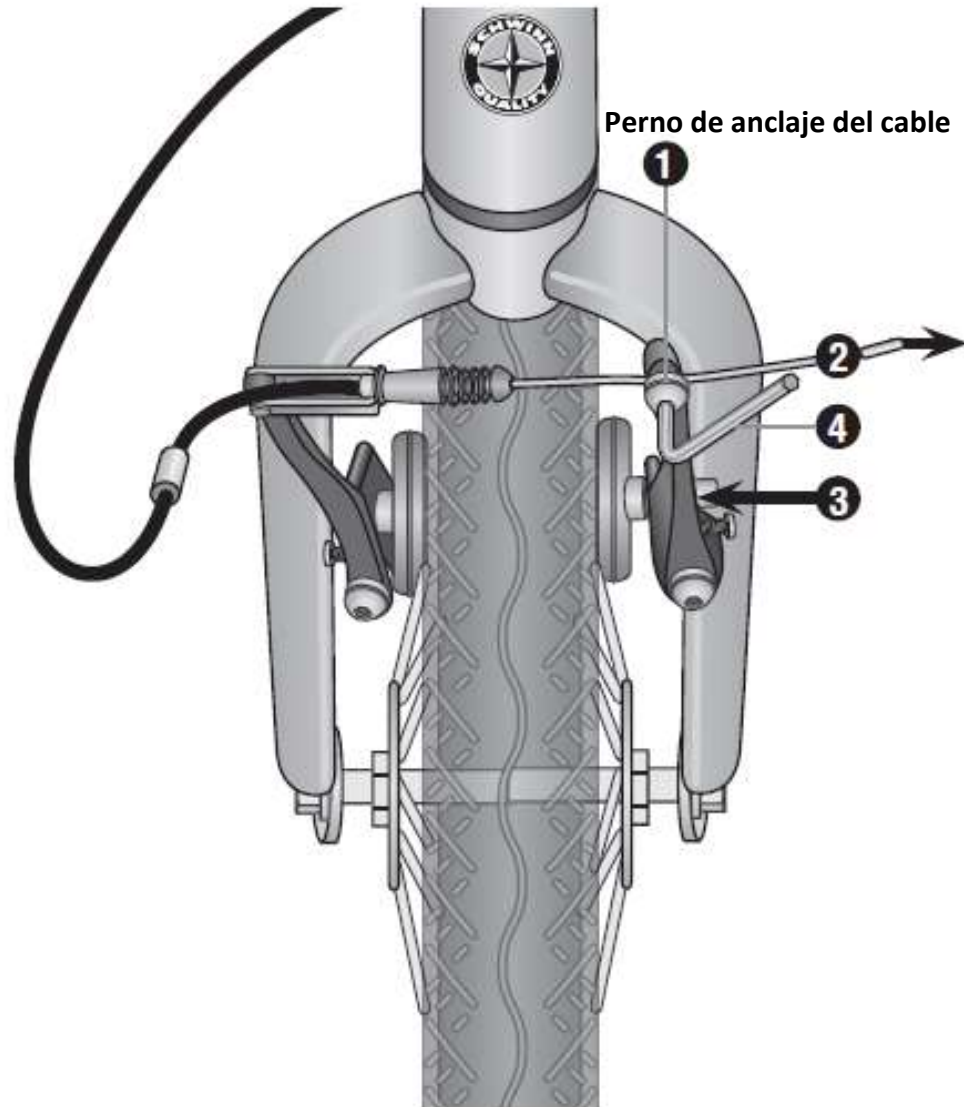
Ajuste del Cable de Freno

Piezas: Cable de Freno, brazos de freno
Herramientas: Llave Allen de 5mm

1. Usando una llave Allen de 5mm afloje el perno del cable de anclaje lo suficiente para que el cable pueda moverse libremente.
2. Tire el cable para mover el brazo de freno izquierdo hacia la llanta hasta que haya aproximadamente 3mm de espacio libre entre el la zapata de freno y la llanta.
3. Mueva el brazo del freno derecho hacia la llanta hasta que haya un espacio libre de aproximadamente 3mm entre la zapata del freno y la llanta.
4. Usando la llave Allen de 5mm, ajuste completa y firmemente el perno del anclaje del cable.

Revise las zapatas de los frenos para ver si cumplen las siguientes condiciones:

Vea las páginas 19 -22 para ajustar y alinear las zapatas de freno.



Centrar las zapatas de freno

Si aprieta la palanca de freno y un brazo de los frenos se mueve más que la otra, (o no se mueve para nada), el freno no está centrado. Necesitará ajustar las pastillas de freno. Pueden ser necesarios muchos ajustes para centrar las zapatas de freno, establecer la presión correcta del freno y fijar el espacio entre la zapata de freno y la llanta.

Herramientas: Llave inglesa combinada de 15mm, alicate ajustable, llave Allen de 5mm, atornillador de cruz.

Vea en la página siguiente los diagramas de los siguientes pasos.

1. Gire la rueda y mire hacia abajo en dirección a las zapatas de freno. Si se da cuenta que el espacio entre las llantas y las zapatas de freno es desigual, esto indica que la rueda o las zapatas de freno no están centradas.
2. Revise si la rueda está centrada
3. Gire la rueda y observe si el espacio entre la horquilla y la rueda es desigual. Si es así, afloje las tuercas del eje y ajuste la rueda hasta que este centrada.
4. Si el espacio entre la rueda y la zapata de freno es desigual, ajuste la posición de la zapata.

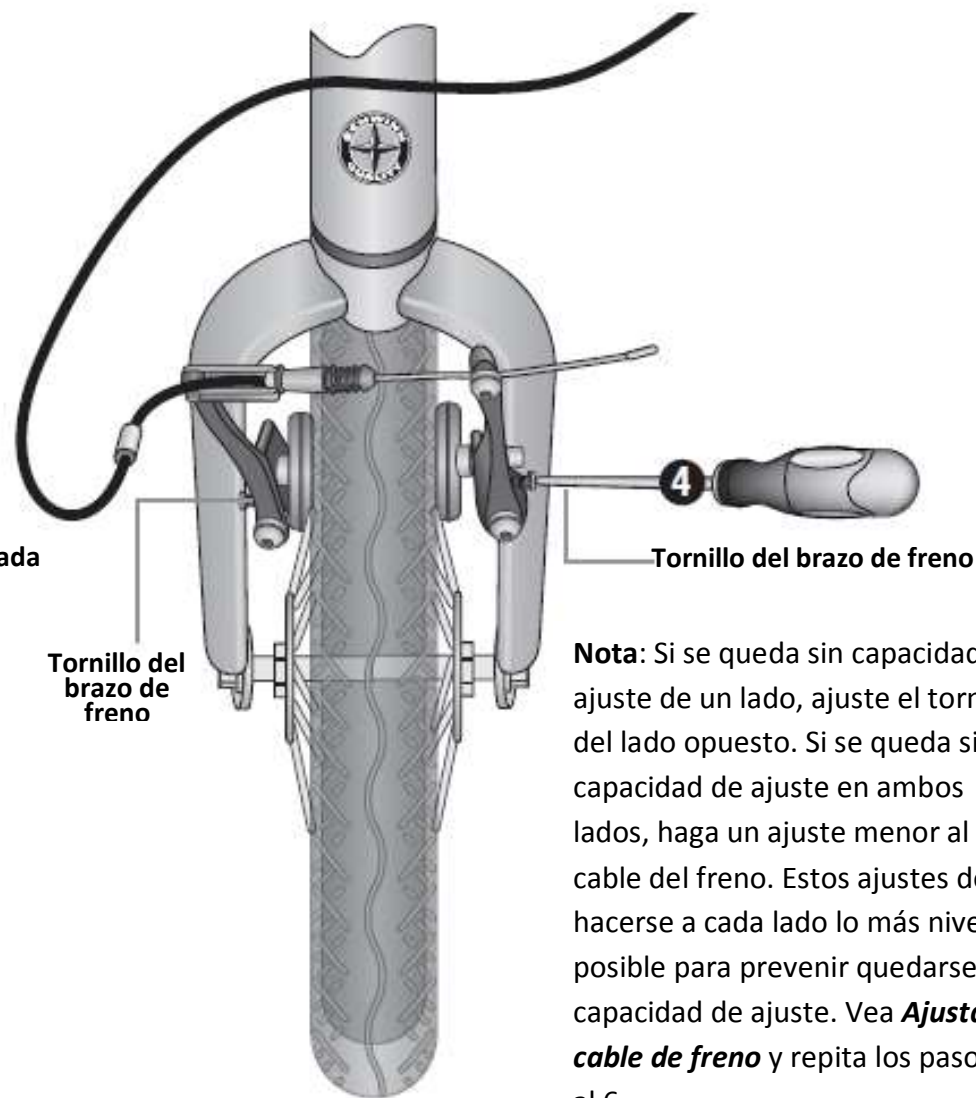
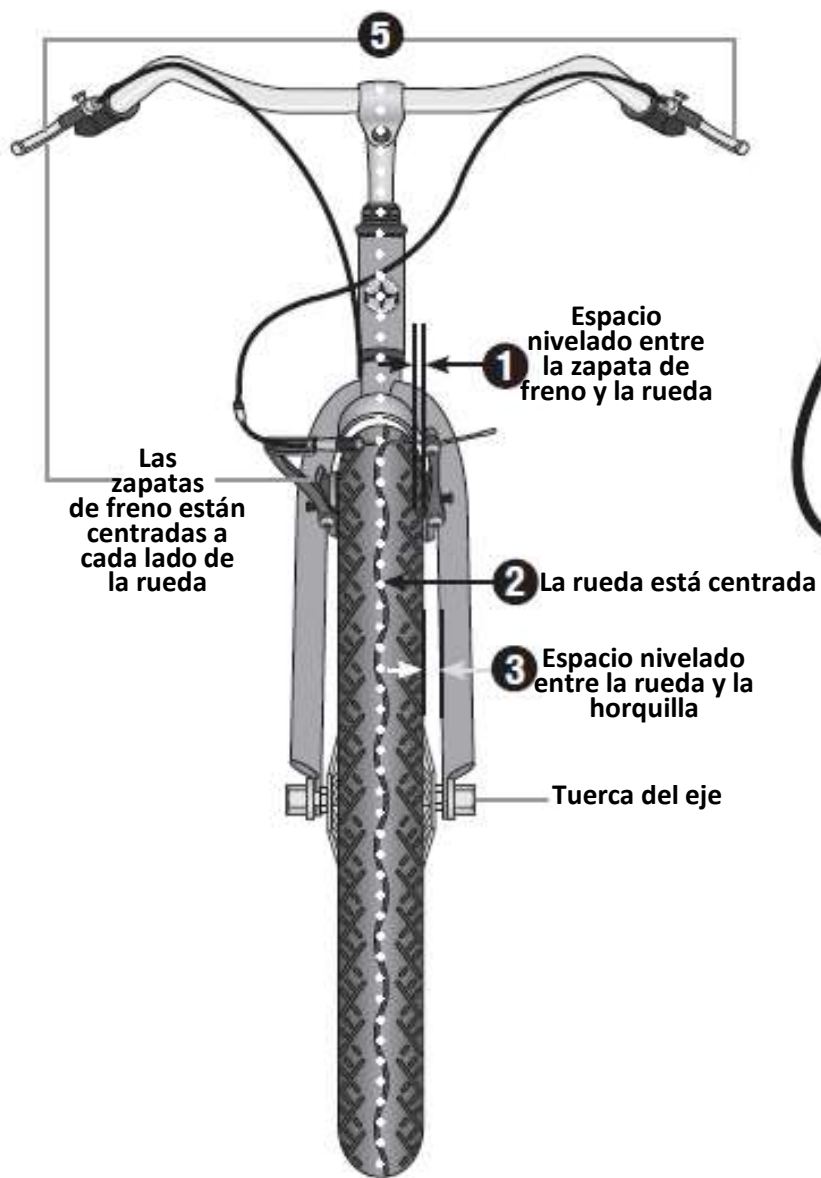
Usando un atornillador Philips (punta de cruz), ajuste los tornillos de los brazos del freno en cualquiera de los brazos de freno.

Nota: Girando los tornillos en dirección contraria a las manillas del reloj provoca que las zapatas se alejen de la llanta. Girar los tornillos en dirección a las manillas del reloj mueve la zapata hacia la llanta.

Comience con el lado en el que la zapata esté más cercana a la llanta o no se está moviendo como debe. Gire el tornillo para mover la zapata hacia adelante o alejarla de la llanta.

Los ajustes a estos tornillos deben hacerse en pequeños movimientos, de un $\frac{1}{4}$ a $\frac{1}{2}$ de vuelta y después revisarlos haciendo funcionar la palanca de freno 3 o 4 veces después de cada ajuste. Si continua ajustando el tornillo hasta ya no tener movimiento, se acabara la capacidad de ajuste del tornillo.

5. Tire y deje libre la palanca de freno un par de veces y revise si las zapatas de freno están centradas.
6. Si es necesario, repita los pasos 1 y 2 hasta que las zapatas estén centradas y el espacio entre ellas y la llanta sea de 1 a 2mm



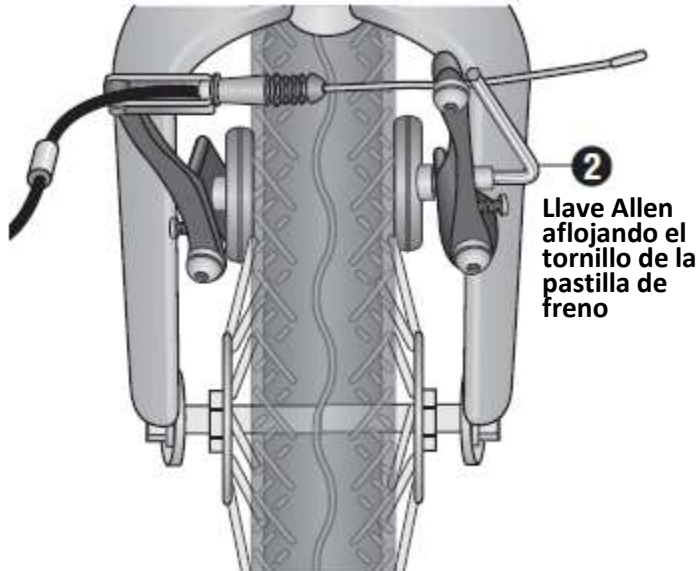
Nota: Si se queda sin capacidad de ajuste de un lado, ajuste el tornillo del lado opuesto. Si se queda sin capacidad de ajuste en ambos lados, haga un ajuste menor al cable del freno. Estos ajustes deben hacerse a cada lado lo más nivelado posible para prevenir quedarse sin capacidad de ajuste. Vea **Ajustar el cable de freno** y repita los pasos 4 al 6.

Alinear las zapatas de freno.

Herramientas: Llave Allen de 5mm

El alineamiento de zapatas debe hacerse antes de centralizar. Una mala alineación puede causar problemas de centrado. Por ejemplo, la zapata podría rozar los neumáticos y parte de la zapata podría estar en contacto con la llanta.

1. Revise que exista una alineación apropiada de la zapata del freno en la llanta. Si es necesario, ajuste la posición o rotación de las pastillas (zapatas).

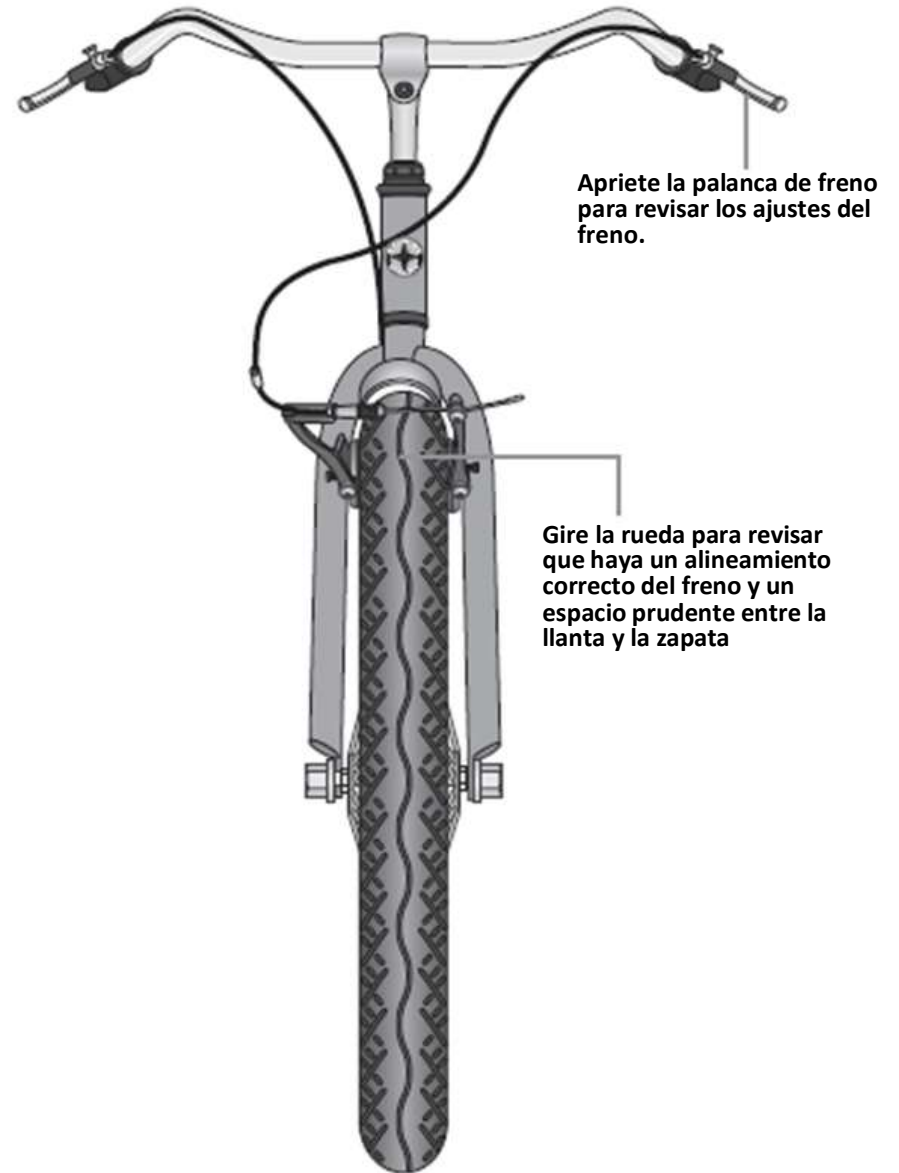


2. Usando una llave Allen de 5mm, afloje el tornillo que sostiene la zapata.
3. Mueva y gire la zapata para que esté centrada sobre la llanta y paralela al suelo.
4. Después de posicionar en su lugar la zapata, apriete el tornillo.



Revisiones de ajuste del Freno Delantero

1. Apriete la palanca de freno tanto como pueda repetidas veces para determinar que el cable este firmemente unido y que las zapatas de freno vuelvan a la posición central.
2. Apriete la palanca de freno y revise que la tensión del cable de freno permita a la palanca de freno moverse a 1/3 del camino hacia el manillar cuando las zapatas hacen contacto con la llanta.
3. Revise que ambas zapatas se muevan niveladamente cuando se aprieta la palanca de freno y que se retraigan completamente cuando se suelte la palanca de freno.
4. Gire la rueda y revise que el espacio entre las zapatas y la llanta sea de entre 1 y 2 mm



Revise los cambios



ADVERTENCIA!

El no ajustar apropiadamente los frenos puede provocar la incapacidad de detener el movimiento del triciclo y causar heridas serias o la muerte. Siempre revise que los frenos estén funcionando apropiadamente antes de usar el triciclo.



¡PRECAUCION!

Lubricar el tambor del freno puede causar un frenado defectuoso.

Herramientas: Llave inglesa de 10mm o ajustable

El triciclo es enviado con el freno trasero armado y conectado. Si el cable de freno no está unido a la palanca de freno vea **Colocar los Frenos Delanteros** para ver los pasos a seguir para volver a unir el cable y palanca.

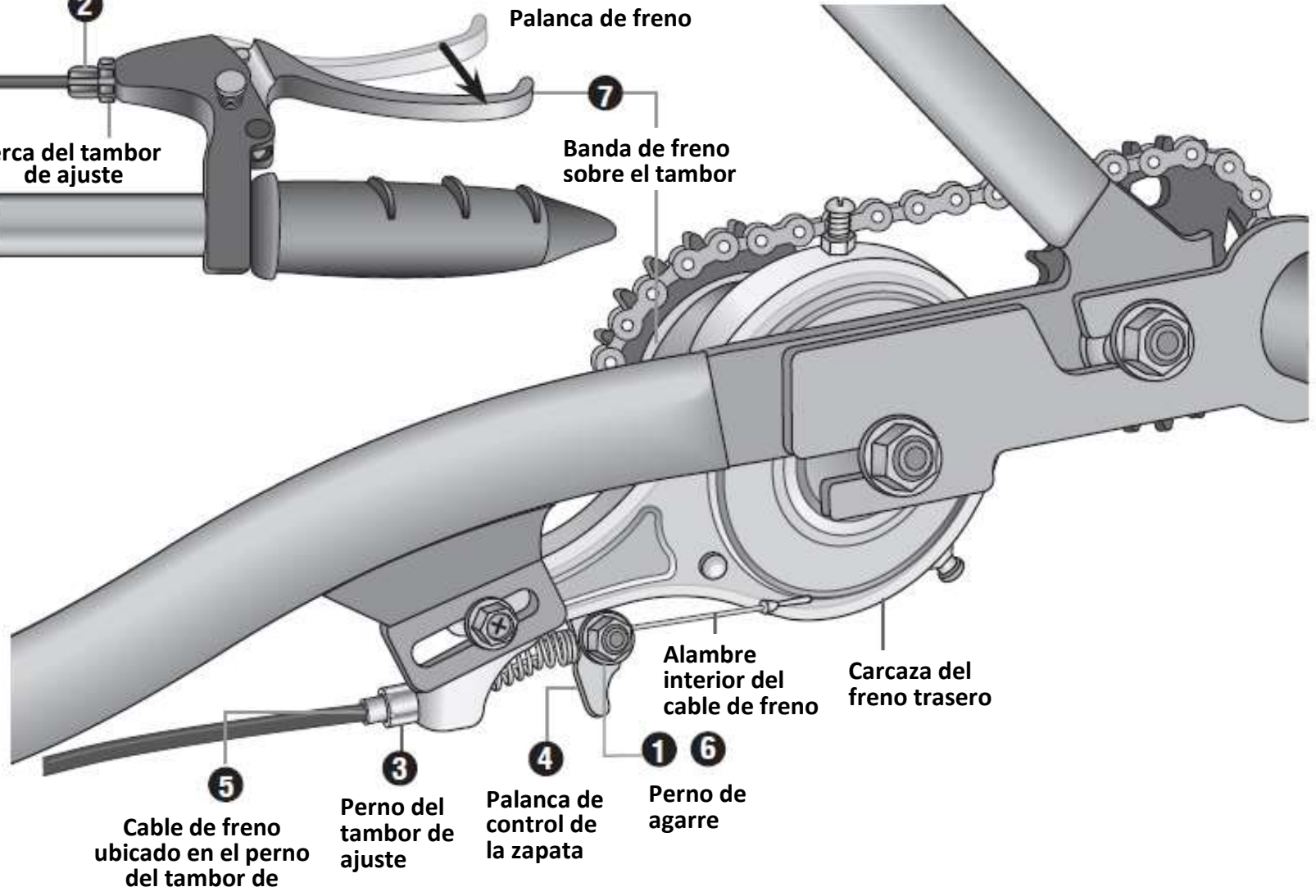
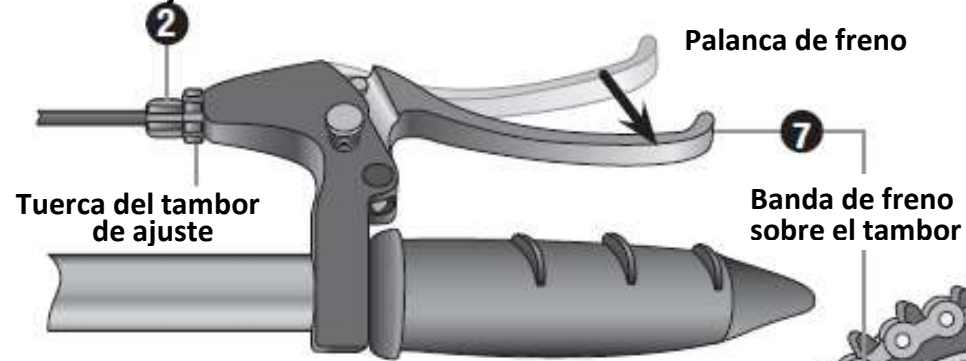
Si el cable de freno esta desconectado del brazo de freno, tire el cable de freno y conéctelo al brazo de freno apretando el perno de anclaje del cable tal como se describe en la página 17.

El freno trasero es un sistema de freno en banda. Siga los pasos para ajustar el freno trasero:

1. Suelte el tornillo de agarre en la zapata de la palanca de control con una llave inglesa combinada de 10mm.
2. Afloje el tambor de ajuste del cable en la palanca de freno dándole dos vueltas y ajuste el perno de seguridad del tambor de ajuste.
3. Afloje el perno del tambor de ajuste dándole tres vueltas completas.
4. Presione la palanca de control de la pastilla hacia el frente de la bicicleta y sosténgala ahí con una mano.
5. Use la otra mano para tensar el freno del cable revisando que el armazón del cable permanece ubicado sobre los tambores de ajuste.
6. Vuelva a apretar el tornillo de agarre en la palanca de control de la pastilla usando una llave inglesa combinada de 10mm.
7. Presione la palanca de freno hasta que el frenado en banda contacte el tambor del freno. Esto debe suceder cuando la palanca de freno este a 1/3 de camino del manubrio.

Importante! El frenado en banda se desgasta con el tiempo. Gire el tambor de ajuste para compensar el desgaste del frenado en banda. Reemplace la banda de freno antes de que esté completamente desgastada.

Tambor de ajuste del cable



Botones de bloqueo del freno

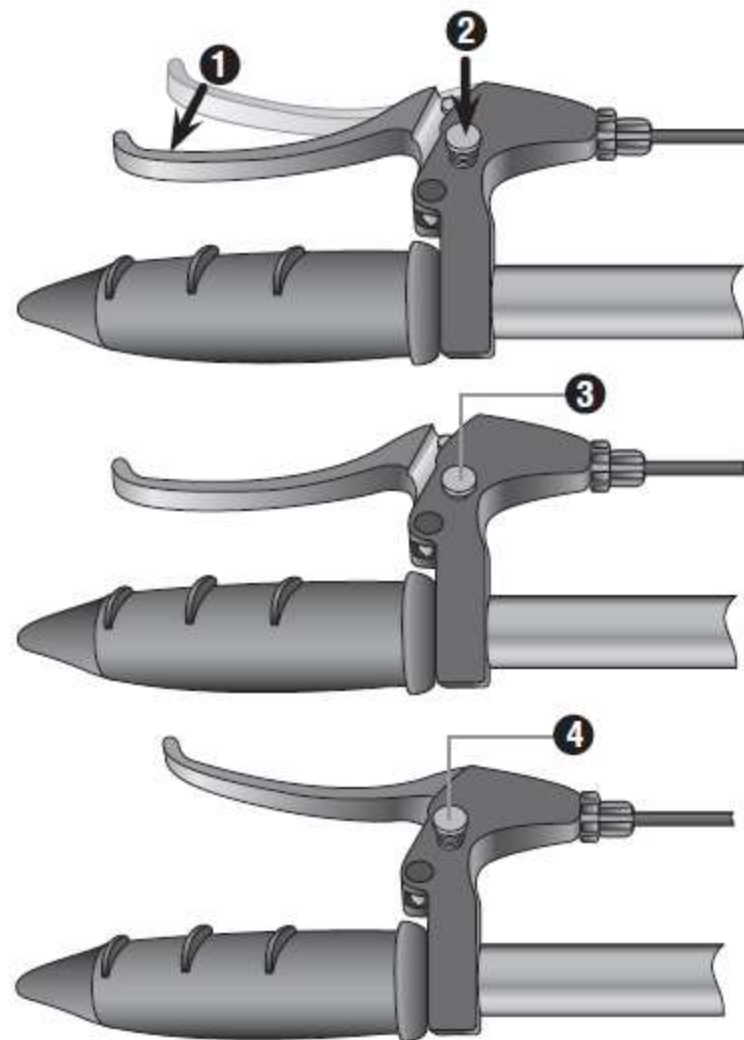
Ambas manillas de frenos, delanteras y traseras, están equipadas con botones de bloqueo de freno. El propósito de este botón es evitar que el triciclo se mueva cuando usted lo tiene estacionado.

Para bloquear los frenos:

1. Apriete firmemente la palanca de freno.
2. Mientras mantiene cerrada la palanca de freno, presione el botón de la palanca del freno hacia abajo.
3. Suelte la palanca de freno mientras mantiene presionado hacia abajo el botón de la palanca. Así el freno estará en la posición **Bloqueado**.

Para desbloquear los frenos:

Apriete firmemente la palanca de freno y suéltela. El freno debería estar **desbloqueado** después de esta acción.



Ajustar el Guardafangos Trasero

Piezas: Guardafangos traseros, marco trasero

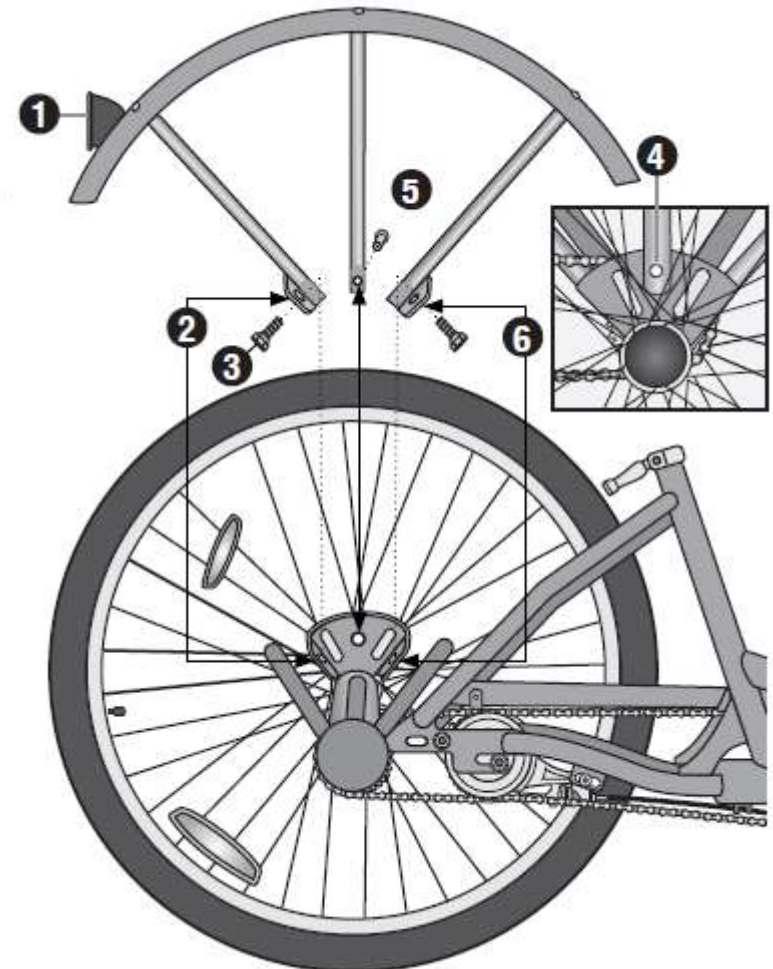
Herramientas: atornillador de cruz (eje de 4 pulgadas mínimo)

Fijaciones: 3 tornillos pequeños.

Las fijaciones vienen unidas al marco. Quite las fijaciones antes de comenzar este procedimiento.

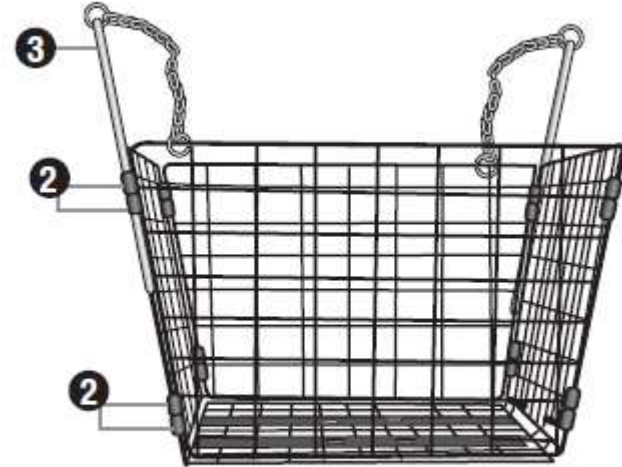
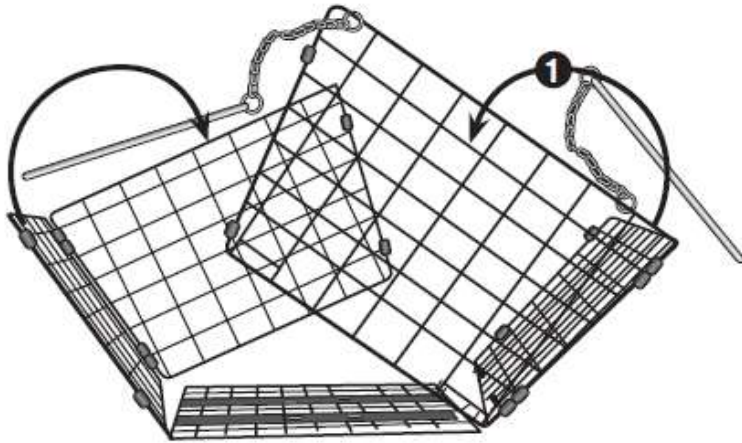
1. Ponga el guardafangos de tal manera que el reflector trasero esté dando la espalda al armazón de la bicicleta.
2. Debe alinear los agujeros de la pestaña del guardafangos con los agujeros de las pestañas del marco trasero. Nota: las pestañas del guardafangos deben quedar en la parte exterior de las pestañas del marco trasero.
3. Mientras trabaja en la parte interior de la rueda, ponga y apriete un tornillo en los agujeros laterales de la pestaña del guardafangos en dirección a las pestañas del marco trasero.
4. Gire la rueda trasera hasta que haya un espacio adecuado para que el atornillador de cruz llegue a través de los rayos hasta el agujero del guardafangos.
5. Mientras trabaja en la parte exterior de la rueda, ponga y apriete un tornillo que vaya desde el centro del agujero del guardafangos hacia el agujero central del marco trasero. **Nota:** revise que el agujero tenga el espacio suficiente entre las ruedas. Puede que sea necesario ajustar levemente el guardafangos para alinear correctamente las ruedas.

1. Repita los pasos 1 al 5 para el segundo guardafangos.



Arme la Canasta Metálica

1. Doble los costados de la canasta hacia arriba.
2. Debe alinear los anillos ubicados en las dos esquinas de la canasta.
3. Inserte los pernos en el extremo de la cadena a través de los anillos en las esquinas de la canasta



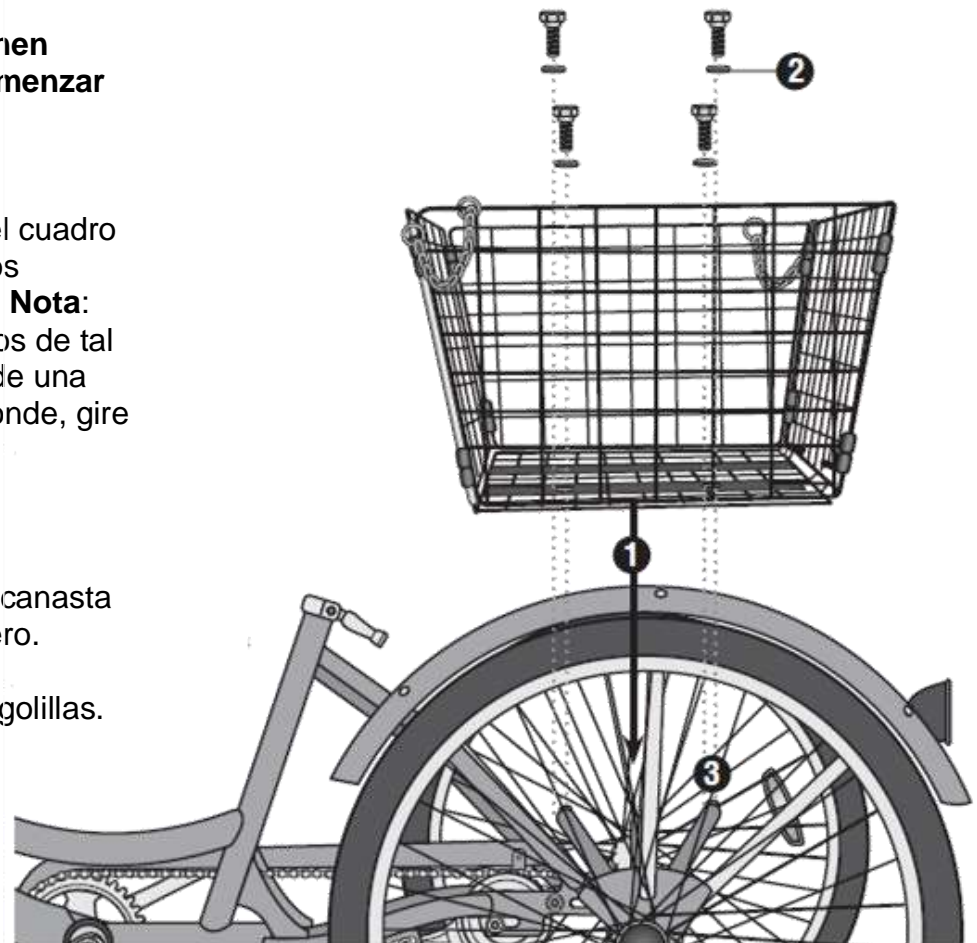
Montar la Canasta metálica

Piezas: Canasta Metálica, Marco trasero.

Herramientas: Atornillador de cruz

Fijaciones: 4 tornillos, 4 golillas. **Las fijaciones vienen unidas al marco. Quite las fijaciones antes de comenzar este procedimiento**

1. Ponga la canasta metálica sobre parte trasera del cuadro y junte los agujeros de la canasta con los agujeros enroscados para los tornillos que están en el marco. **Nota:** los agujeros en la canasta metálica están ubicados de tal manera que la canasta solo puede ser montada de una manera. Si los agujeros no calzan como corresponde, gire la canasta en 180 grados.
2. Inserte una golilla en el tornillo.
3. Inserte el tornillo y la golilla en los agujeros de la canasta en dirección al agujero roscado en el marco trasero.
4. Repita los pasos 3 y 4 para los demás tornillos y golillas.



Colocar el Asiento



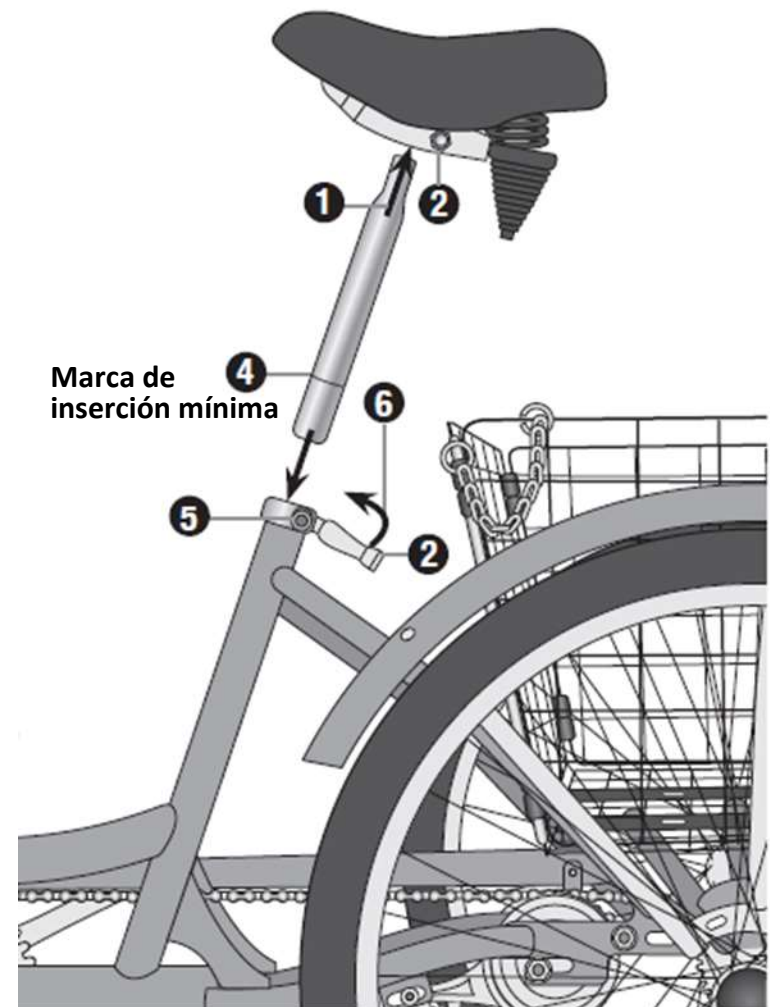
ADVERTENCIA!

Una presión de cierre insuficiente en la tija (tubo de soporte) del asiento puede provocar que el asiento se corra, pierda el control y cause serias heridas o la muerte. Revise que el asiento está asegurado y es capaz de soportar el peso del conductor antes de usar el triciclo.

Piezas: Asiento, Tija o Tubo de Soporte del asiento

Herramientas: llave inglesa combinada de 14mm, alicata ajustable

1. Ponga el asiento sobre el tubo de soporte (tija) del asiento.
2. Ponga y Apriete las tuercas que están a cada lado de la tija del asiento hasta que el asiento este firmemente unido a la tija.
3. Suelte la abrazadera de liberación rápida
4. Inserte la tija del asiento en el tubo de asiento del marco hasta que la *Marca de inserción mínima* ya no esté visible.
5. Gire la tuerca de ajuste hasta que haya presión suficiente para sostener firme el asiento en su lugar cuando la abrazadera de liberación rápida esté cerrada.
6. Cierre la abrazadera de liberación rápida.



Colocar los pedales

AVISO: Unir un pedal en el lado incorrecto puede dañar el atornillado del pedal y causar daño irreparable. Visualmente una las calcomanías R y L en el pedal y en la biela antes de unir los pedales.

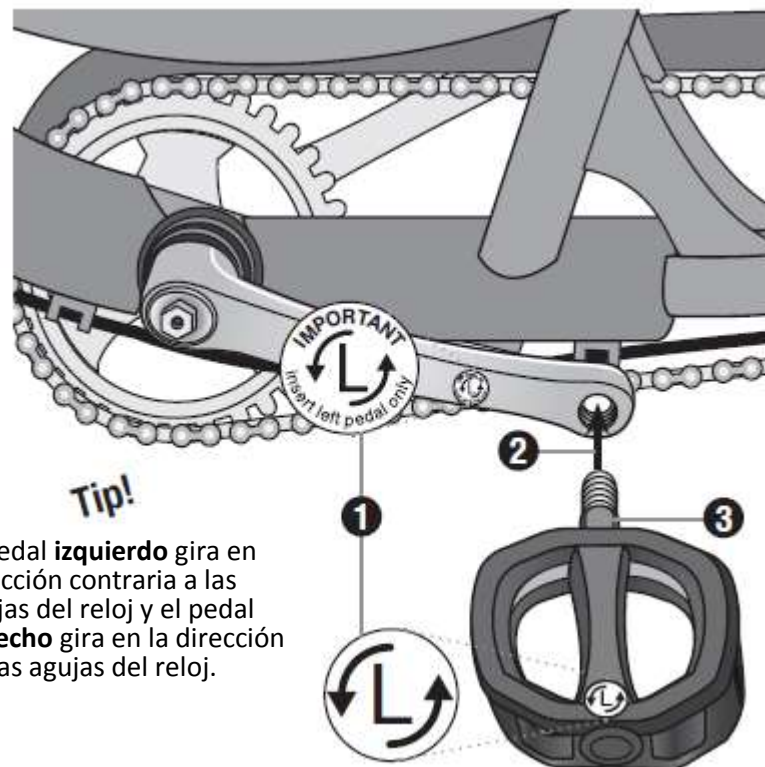
Piezas: Pedales izquierdo y derecho, Bielas.

Herramientas: Llave inglesa combinada de 15mm, Alicata ajustable.

1. Haga coincidir el pedal marcado con la calcomanía R con la biela del lado derecho, y junte el pedal marcado con L con la biela del lado izquierdo.
2. Ponga la parte atornillable del pedal en el agujero atornillable de la biela.
3. Gire lentamente con su mano el seguro del pedal hacia la parte delantera de la bicicleta. Gire el pedal del lado derecho en sentido de las agujas del reloj, y en dirección contraria a las agujas del reloj para el pedal del lado izquierdo.

Importante!: No siga atornillando si siente dificultad al atornillar. Esto puede indicar que el tornillo del pedal está entrando al agujero en un ángulo incorrecto. Quite el tornillo del pedal y repita el paso 4.

1. Si el tornillo del pedal está atornillando fácilmente en el agujero, use una llave de 15mm o alicata para apretar completamente.
2. Repita los pasos 2 al 5 para el pedal opuesto.



El pedal **izquierdo** gira en dirección contraria a las agujas del reloj y el pedal **derecho** gira en la dirección de las agujas del reloj.

Ajustar el Manubrio

ADVERTENCIA!

Si no aprieta firmemente el perno de la potencia del manillar, el perno de la abrazadera del manillar, la tija del asiento y los pernos de la abrazadera de la extensión del manubrio puede causar que el manubrio o el asiento se corran y provoquen pérdida de control del triciclo, caídas, heridas graves o la muerte. Revise que el perno de la cuña de la potencia, el perno de la abrazadera del manillar, la tija del asiento y los pernos de la abrazadera de la extensión del manubrio estén firmemente apretados antes de usar el triciclo.

Ajuste la altura del manubrio y el ángulo de manera que el conductor este cómodo y tenga un control completo del triciclo. Siga los siguientes pasos para ajustar el manubrio.

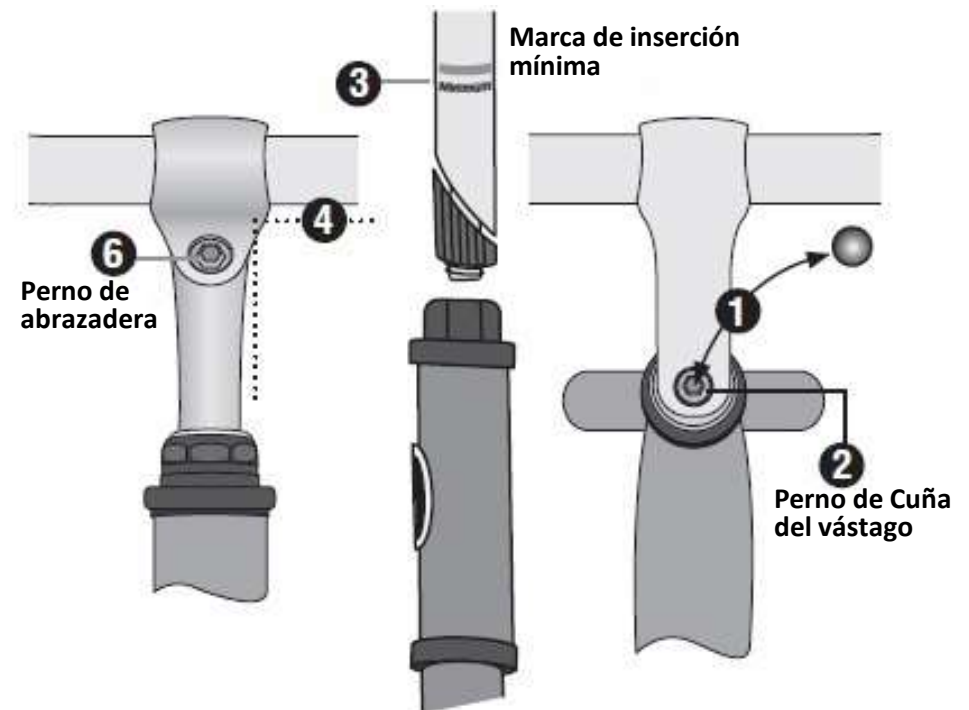
Herramientas: Llave Allen de 6mm

Quite la tapa que cubre el tornillo de la cuña de la potencia.

Destornille el tornillo de la cuña hasta que la cuña de la potencia quede suelta.

Ajuste la altura de la potencia, por sobre la línea de **Inserción mínima**, hasta que el conductor sienta que tiene el control del triciclo y esté cómodo.

1. Gire el manubrio para que quede cuadrado con la horquilla.
2. Apriete el tornillo de la cuña de la potencia para asegurar el vástago en su lugar.
3. Suelte el perno de la abrazadera del manillar y gire el manubrio hasta que el conductor sienta que tiene el control del triciclo y se sienta cómodo.
4. Apriete el tornillo de la abrazadera del manubrio hasta que el manubrio quede asegurado en su sitio.



Ajustar el asiento.

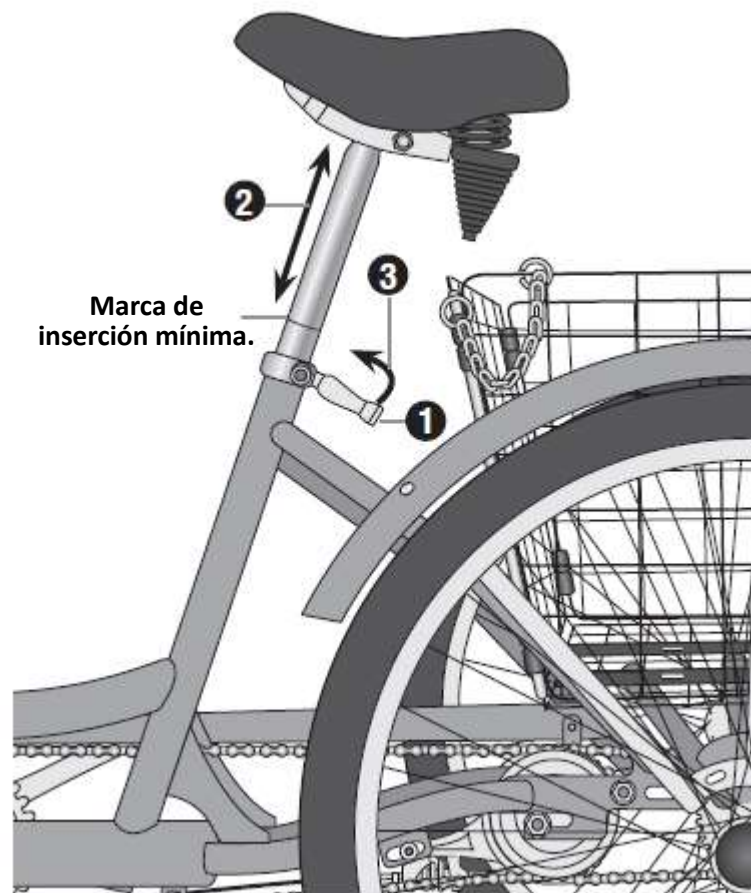
ADVERTENCIA!

El insertar el manubrio y la potencia del asiento más allá de la línea de “inserción mínima” puede provocar que la potencia se rompa dañando la potencia, provocando pérdida del control, caídas, heridas serias o la muerte. Inserte el manubrio y la potencia del asiento en el marco hasta que la **Marca de Inserción mínima** no esté visible.

Si es necesario, ajuste la altura del asiento y el ángulo de modo que el conductor este cómodo y tenga un control completo.

Herramientas: Llave inglesa combinada de 14mm, alicates ajustables.

1. Suelte la abrazadera de liberación rápida del asiento.
2. Ajuste la altura del asiento hasta que el conductor sienta que tiene control del triciclo y esté cómodo.
3. Asegure/cierre la abrazadera de liberación rápida del asiento.



6 USO

! ADVERTENCIA!

El no seguir todos los reglamentos y leyes locales y estatales correspondientes al uso de bicicletas tanto como las advertencias de seguridad de este manual puede causar heridas graves o la muerte. Siempre siga todas las leyes y reglamentos locales y estatales correspondientes al uso de bicicletas, siga las advertencias en este manual y use su sentido común cuando conduzca este triciclo. Siempre lleve a cabo una revisión previa al triciclo antes de usarlo.

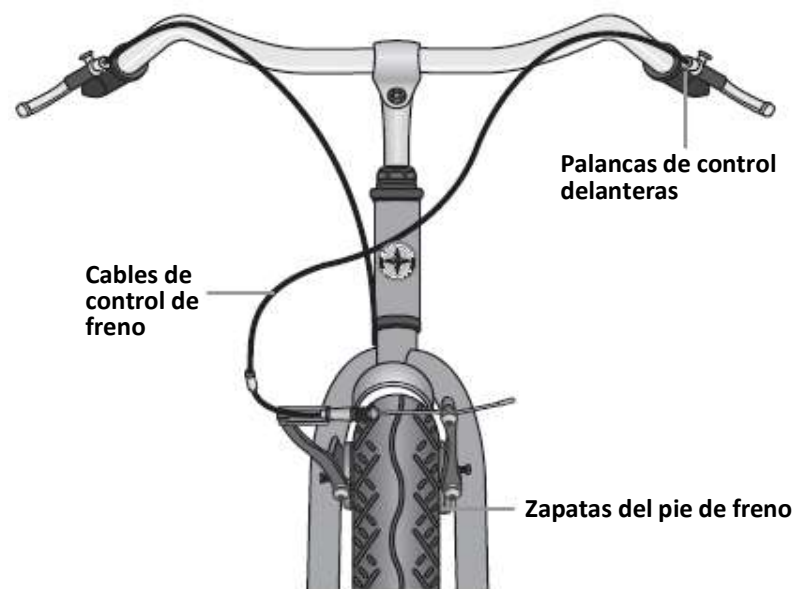
Revisión Previa al Uso.

Use la siguiente lista de revisión para asegurarse que su triciclo está en las condiciones apropiadas para su funcionamiento antes de comenzar a conducirlo.

Frenos:

- Los frenos delanteros y traseros funcionan apropiadamente.
- Las zapatas del pie de freno no están desgastadas y están correctamente ubicadas en relación a las llantas.

- Los cables de control de freno están lubricados, correctamente ajustados y no muestran desgaste.
- Las palancas de control de frenos están lubricadas y aseguradas firmemente al manubrio.

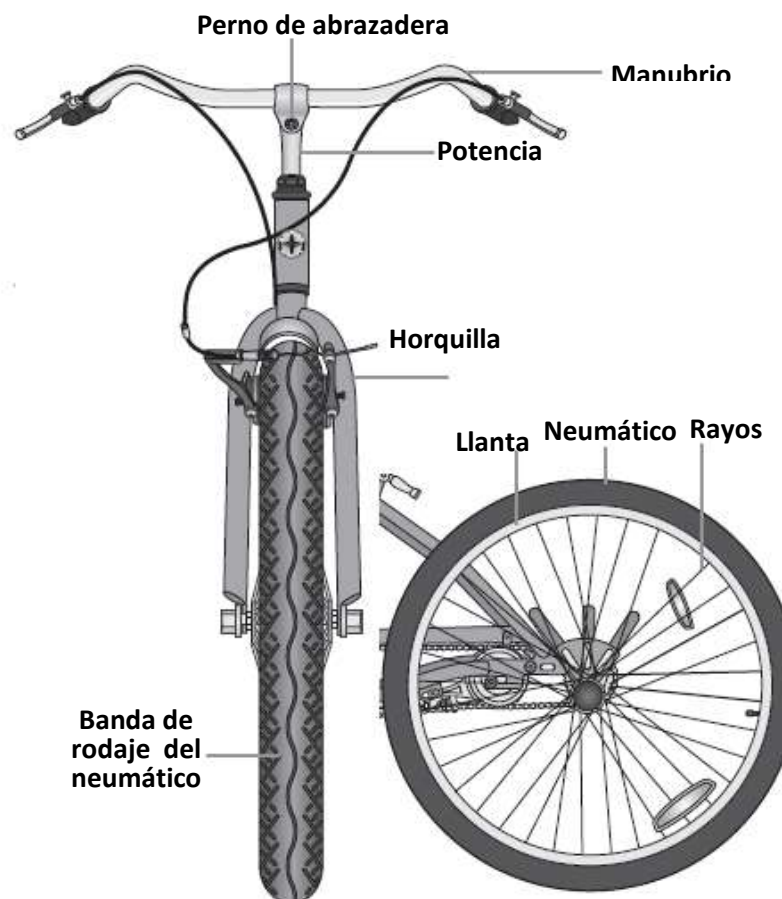


Ruedas y neumáticos

- Las llantas no tienen suciedad o grasa en ellas.
- Las ruedas están unidas como corresponde al triciclo y las tuercas del eje están firmes.
- Los rayos de la rueda no están sueltos ni rotos.
- La rotación de la rueda es suave y no hay movimiento de un lado a otro (tambaleo)
- Los neumáticos están inflados dentro de la presión recomendada tal como se muestra al costado del neumático.
- Los neumáticos no están lisos y no tienen protuberancias ni desgaste.

Dirección

- El Manubrio y la potencia están correctamente ajustados y firmes, y permiten direccionar apropiadamente.
- Las manillas del manubrio están ubicadas correctamente en relación a las horquillas y la dirección.
- El perno de la abrazadera del manillar está firme.



Cadenas

- Las cadenas están aceitadas, limpias y funcionan suavemente. **Nota:** se requiere una mantención extra en condiciones de humedad o exposición al polvo.

Rodamientos

- Todos los rodamientos están lubricados, funcionan libremente y no presentan movimiento excesivo, chirridos o sonidos extraños. (Nota: revise el conjunto de dirección o manubrio, los rodamientos, rodamientos de los pedales y los rodamientos del eje del pedaliar).

Bielas y Pedales.

- Los pedales están firmemente asegurados a las bielas.
- Las bielas están firmemente asegurados el eje y no están dobladas.

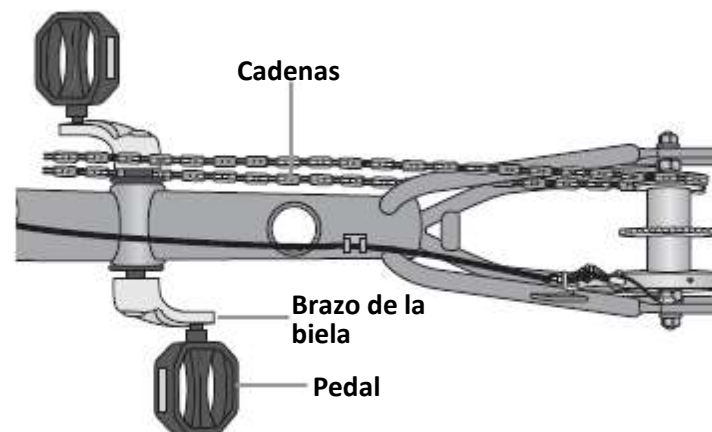
Marco y horquilla

- El marco y la horquilla no están doblados ni rotos.
Nota: si uno de los dos esta doblado o roto, contacte a servicio al cliente.

Accesorios

Los reflectores están bien mantenidos, ubicados donde corresponde y no están oscurecidos.

- Todos los otros accesorios de la bicicleta están correcta y firmemente asegurados y en funcionamiento.
- El conductor está usando un casco correctamente ajustado (atuendo de protección si es necesario) y su ropa y los ítems que puedan colgar están amarrados como corresponde.



**ADVERTENCIA!**

El no llevar a cabo mantenimiento en el triciclo puede provocar un mal funcionamiento de una parte crítica y causar heridas serias o muerte. Una mantención apropiada es crítica para el rendimiento y funcionamiento seguro del triciclo. Los intervalos recomendados y la necesidad de lubricación y mantención pueden variar dependiendo de las condiciones a las que está expuesto el triciclo. Siempre inspeccione el triciclo y lleve a cabo una mantención necesaria antes de cada uso del triciclo.

Esta sección presenta información importante con respecto a la mantención y le ayudara a determinar el curso de acción apropiado a seguir si tiene algún problema con la operación y funcionamiento de su triciclo.

Si tiene dudas con respecto a la mantención, por favor llame a nuestro servicio al cliente, cuyo número gratuito es 1-800-626-2811 o busque un mecánico calificado para bicicletas. No llame a la tienda donde compró el triciclo.

Programa de Lubricación

COMPONENTE	LUBRICANTE	MÉTODO
SEMANALMENTE		
Cadenas	Lubricante de Cadenas o Aceite Liviano	Cepillar o chorrear
Pinzas de freno	Aceite	3 gotas de una lata de aceite
Palancas de Freno	Aceite	2 gotas de una lata de aceite
MENSUALMENTE		
Cassette de piñones	Aceite	2 gotas de una lata de aceite
Cables de Freno	Grasa a base de Litio	Quite el cable del porta cable. Engrase toda su extensión. Limpie el exceso de lubricación de las demás superficies.
Palanca de Freno y Puntos de Pivoteo de las pinzas de freno	Aceite Liviano	2 o 3 gotas de una lata de aceite
Pedales: Que No Son desarmables	Aceite Liviano	2 gotas de una lata de aceite en los rodamientos internos
ANUALMENTE		
Eje del pedalier	Grasa a base de Litio	Desarmar
Pedales	Grasa a base de Litio	Desarmar
Rodamientos de la Rueda	Grasa a base de Litio	Desarmar
Conjunto de Dirección	Grasa a base de Litio	Desarmar
Potencia del asiento	Grasa a base de Litio	Desarmar
Pedales: DESARMABLES	Grasa a base de Litio	Desarmar

NOTA: La frecuencia de la mantención debe aumentar con el uso en condiciones de exposición a humedad o al polvo. No lubricar en exceso. Quite el exceso de lubricante para prevenir la acumulación de suciedad. Nunca use un desengrasante para lubricar sus cadenas (WD- 40)

Mantenimiento de Piezas

Ruedas

Frecuencia: Inspeccione y haga mantención antes de cada uso

INSPECCIONAR	ACCIÓN	MANTENCIÓN
Llantas	Inspeccione por si existe grasa o suciedad	Use un trapo limpio o lave con agua jabonosa, enjuague y seque al aire
Ruedas	Revise si las ruedas están apretadas firmemente al triciclo y que las tuercas del eje están firmes	Ajuste si es necesario y apriete las tuercas del eje
	Gire la rueda y revise la rotación/ la alineación son las correctas	Busque un mecánico de bicicletas para repararla
Rayos	Revise si hay rallos rotos o sueltos	Busque un mecánico de bicicletas para repararla
Rodamientos del Eje	Levante cada rueda y vea si hay movimiento de un lado a otro (tambaleo)	Vea la sección “ rodamientos del eje” para más detalles o busque un mecánico de bicicletas para reparaciones

Neumáticos

Frecuencia: Inspeccione y mantenga antes de cada uso

INSPECCIONAR	ACCIÓN	MANTENCIÓN
Aire del neumático	Revisar la presión de los neumáticos	Inflar el neumático a la presión indicada en el costado del neumático. Ver “Inflar la cámara de un neumático” para más detalles. Si el neumático esta pinchado, vea “arreglar un Neumático pinchado” para más detalles
	Revise que el alambre del borde del neumático este puesto apropiadamente mientras infla o arregla el neumático	Reduzca la presión de aire en el tubo y vuelva a posicionar el alambre del talón
	Gire la rueda y revise que la rotación y el alineamiento sean suaves y nivelados.	Afloje las tuercas del eje y ajuste hasta que quede correctamente puesta. Si los rodamientos del eje necesitan reparación vea “rodamientos del eje” para más detalles o visite un mecánico de bicicletas para reparación.
Alambres de talón	Revise si hay rayos rotos o sueltos	Busque un mecánico de bicicletas para esta reparación
Banda de Rodadura	Inspeccione por posible desgaste, espacios planos, cortes o daños	Reemplace el neumático
Válvulas	Revise que las tapas de las válvulas estén fijas y libres de suciedad	Limpie la suciedad de la válvula

Frenos

Frecuencia: Inspeccione y haga mantenimiento antes de cada uso.

INSPECCIONAR	ACCIÓN	MANTENCIÓN
Palancas	Revise que las palancas estén firmemente aseguradas al manubrio	Ponga las palancas para que encajen en el agarre del conductor y apriételas al manubrio
Zapatas	Revise la posición de la almohadilla, el espaciado y la presión	Vea todas las secciones despues de “ armar el freno delantero”. Vea “ajuste del freno trasero” .
Cables	El protector exterior por dobleces, bobinas estiradas y daños. Revise los cables por dobleces, oxido, hilos rotos o puntas deshilachadas. Revise el protector exterior por dobleces, bobinas estiradas y daño.	Reemplace el cable
	Revise que el protector esté puesto correctamente en cada tope del cable del triciclo	Se recomienda que los cables y protector de los cables se reemplacen despues de cada temporada de uso.

Tren de manejo (pedales, cadenas, rueda de cadenas, set de bielas y cassette de piñones)

Frecuencia: Como se señala.

INSPECCIONAR	ACCIÓN	MANTENCIÓN
Pedales	Cada mes, revise que cada pedal esté firmemente fijo y apretado en la biela	Si es necesario, vuelva a fijarlo y apretarlo.
	Después de cada uso, revise que cada reflector de pedal trasero y delantero este limpio y en su lugar	Limpiar o reemplazar
Rodamientos del pedal	Cada mes revise que cada rodamiento este ajustado como corresponde. Mueva el pedal hacia arriba y hacia abajo, a la izquierda y derecha. Si siente que esta suelto o que esta áspero, requiere lubricación o reemplazo.	Buscar un mecánico de bicicletas para reparaciones
Cadenas	<p>Cada semana, revise que las cadenas estén limpias, lubricadas apropiadamente, libres de óxido, y que no estén estiradas, rotas o que tengan eslabones rígidos.</p> <p>Cada semana, revise que la tensión de la cadena sea la correcta en ambas cadenas:</p> <ol style="list-style-type: none"> 1. Ponga una regla contra la parte inferior de la rueda de la cadena y el piñón trasero. 2. Tire hacia arriba la parte inferior de la cadena. 3. Si el movimiento es de más de 10mm, ajuste la posición del marco trasero. 	<p>Lubricar si es necesario. Reemplace si esta oxidada, estirada o rota.</p> <p>Suelte las tuercas sosteniendo el marco trasero y muévalo hasta que la cadena este tensa y se mueva menos de 10mm. Revise que el marco trasero este cuadrado con el marco principal y apriete firmemente los tornillos que sostienen el marco trasero.</p>

Continuación de la mantención de tren de manejo...

INSPECCIONAR	ACCIÓN	MANTENCIÓN
Set de bielas	Cada mes, revise el set de bielas (brazos de bielas, anillos de la cadena, y eje y rodamientos del eje del pedalier) esté ajustado correctamente y firme. Quite la cadena primaria.	Reemplace el cable

Rodamientos de la masa

Los rodamientos de la masa requieren pequeñas llaves llamadas llaves de cono. Si no tiene estas herramientas, no intente hacer ajustes a estos rodamientos. Pida aun mecánico de bicicletas calificado que lleve a cabo los ajustes si usted tiene dudas.

1. Revise para asegurarse que la contratuerca este suelta.
2. Para ajustar, quite la rueda de la bicicleta y afloje la contratuerca de un lado de la masa mientras sostiene el cono del rodamiento en el mismo lado con una llave de cono.
3. Gire el cono de ajuste tanto como sea necesario para eliminar la holgura.

4. Vuelva a apretar la contratuerca mientras sostiene el cono de ajuste en su posición
5. Vuelva a revisar que la rueda pueda girar libremente sin excesiva holgura al costado.

Inflar la cámara del neumático.



ADVERTENCIA!

Un neumático mal ubicado puede romperse inesperadamente y causar heridas serias o la muerte. Revise que el neumático este apropiadamente ubicado cuando infle la cámara.



¡PRECAUCION!

El exceso de aire o inflar la cámara muy rápidamente puede provocar que el neumático se salga de la llanta y dañe el triciclo o cause heridas al conductor. Siempre use un bombín manual para inflar la cámara. No use la bomba de una estación de gasolina para inflar la cámara.

Siga estos pasos para inflar un neumático:

1. Quite la tapa de la válvula.
2. Agregue aire
3. Revise que el neumático este bien ubicado en la llanta, en ambos lados.
4. Gire la rueda y revise si quedan áreas con mucho/poco aire.
5. Finalice el inflado.
6. Revise que el neumático este bien ubicado en la llanta, de ambos lados. Si no, saque un poco de aire y repita los pasos 3 al 6.
7. Revise si hay suciedad en la tapa de la válvula o en el vástago. Si es necesario, limpie la suciedad de la tapa o del vástago.
8. Vuelva a poner apretadamente la tapa de la válvula en el vástago.

Reparar un neumático pinchado



ADVERTENCIA!

Un neumático mal asentado puede romperse inesperadamente y causar heridas graves o la muerte. Revise que el neumático este ubicado correctamente cuando infle la cámara.

Siga estos pasos para arreglar un neumático pinchado.

1. Haga coincidir el tamaño de cámara con el tamaño del neumático (ver el costado del neumático para ver el tamaño).
2. Quite la rueda de la bicicleta. Desinfe el neumático completamente.
3. Apriete los talones del neumático hacia el centro de la llanta.
4. En el lado opuesto de la válvula, use una palanca de neumáticos de bicicleta para abrir el talón del neumático hacia arriba y hacia afuera de la llanta. Repita alrededor de la rueda hasta que un talón quede afuera de la llanta.
5. Quite la cámara. Libere el segundo talón del neumático. Quite el neumático.
6. Cuidadosamente inspeccione dentro de la llanta y neumático para saber la causa del pinchazo.
7. Infle la cámara $\frac{1}{4}$ de su capacidad y póngala dentro del neumático.
8. Inserte el vástago de la válvula por el agujero del vástago en la llanta.
9. Comience con el vástago de la válvula e instale el primer talón dentro de la llanta. Repita para el segundo talón
10. Lentamente infle el neumático revisando que éste se encuentre ubicado donde corresponde y que no se pinche mientras el neumático se infla.
11. Infle con la presión recomendada (ver el costado del neumático).

GARANTIA LIMITADA Y POLIZA SOBRE PROCEDIMIENTOS DE REEMPLAZO Y RESPONSABILIDADES.

Su compra incluye la siguiente garantía, que se otorga en lugar de cualquier otra garantía expresa. Esta garantía es extendida solo al comprador inicial del producto. No requiere registrar esta garantía. Esta garantía le otorga derechos legales específicos y usted puede tener otros derechos los que varían de estado en estado.

CUADRO

Los marcos de acero están garantizados contra defectos de materiales y fabricación durante el tiempo que el comprador inicial mantiene la bicicleta, sujeto a la condición de la garantía listada más adelante. Si ocurriera una falla en el marco durante el periodo de garantía, el marco será reemplazado. Para el reemplazo del marco por la Garantía Limitada de Pacific, contáctenos, detallando la naturaleza de la falla, número del modelo, fecha en que fue recibido y el nombre de la tienda de la que recibió el producto, a la dirección de la tienda dada en esta página.

El costo de envío del para su devolución es cubierto por el comprador del producto. Por favor note: la horquilla no es parte del marco. Una garantía de por vida de su marco no significa que el producto le durara para siempre. La duración de la vida útil del producto variara dependiendo del tipo de bicicleta, condiciones de conducción y cuidado que la bicicleta reciba. Las competencias, saltos, carreras en bajadas, acrobacias, senderismo, conducir en condiciones extremas o climas extremos, manejar con cargas pesadas o cualquier otro uso fuera del uso normal puede acortar substancialmente el ciclo de vida útil del producto. Solamente una o la combinación de estas condiciones de uso puede provocar una falla impredecible que no está cubierta por esta garantía. Todas las bicicletas y sets de marcos deben ser periódicamente revisadas por un vendedor autorizado para predecir problemas potenciales, uso inapropiado o abuso del producto. Estas son revisiones importantes de seguridad y son muy importantes para ayudar a prevenir accidentes, heridas corporales del conductor y una disminución de la vida útil del producto.

Piezas.

Todas las otras partes de la unidad a excepción de piezas de uso común están garantizadas contra materiales defectuosos y ejecución del trabajo por un periodo de un año desde la fecha de compra por el comprador inicial,

sujeto a los términos y condiciones de la garantía que esta listada más adelante. Si la falla de alguna de sus partes llegase a ocurrir debido a materiales defectuosos o mano de obra mal ejecutada durante el periodo de garantía, esta pieza será reemplazada. Todos los reclamos por garantía deben ser enviados a la dirección ubicada en la contraportada del manual, y el envío debe ser pagado con anterioridad e ir acompañado por una boleta de compra. Cualquier otro reclamo de garantía que no esté incluido en esta declaración es nulo. Esto incluye especialmente costos de instalación, armado y desarmado. Esta garantía no cubre el daño a pintura, oxido o ninguna modificación hecha a la bicicleta. Como piezas de uso común son definidas piezas tales como manillas, neumáticos, cámaras, cables, pies de freno y protector del asiento. Estas piezas están garantizadas como libres de defectos materiales o de mano de obra cuando son enviadas con el producto. Cualquier reclamo de reparación o reemplazo de piezas de uso común (manillas, neumáticos, cámaras, cables, pies de freno y protector del asiento) y partes faltantes debe ser hecha dentro de 30 días de la fecha de compra del producto. La garantía no cubre piezas de desgaste común, armado incorrecto o mantención, o instalación de piezas o accesorios que no están originalmente hechos o que no sean compatibles con la bicicleta tal como se vende. Esta garantía no se aplica a daños o fallas causadas por abuso accidental, mal uso, negligencia o robo. Los reclamos que incluyan estas situaciones no serán considerados válidos.

CONDICIONES DE LA GARANTIA

1. Su bicicleta ha sido diseñada para transporte en general y uso recreacional, pero no ha sido diseñada para resistir abuso asociado a saltos acrobáticos o saltos en general. Esta garantía caduca cuando usted arrienda, vende o regala esta bicicleta, maneja en ella con más de una persona o usa la bicicleta para saltos acrobáticos o saltos en general.
2. Esta garantía no cubre desgaste normal ni nada que usted rompa accidentalmente o deliberadamente.

Es de responsabilidad del comprador asegurar que todas las piezas que están incluidas en la caja sellada de fábrica sean instaladas correctamente, todas las partes funcionales estén ajustadas como corresponde y los servicios de mantenimiento normales subsiguientes y los ajustes necesarios para mantener la bicicleta en buen estado de funcionamiento se han realizado correctamente. Esta garantía no se aplica a los daños causados por una instalación incorrecta de piezas o alguna especie de planta de energía o algún motor de combustión interna, la modificación o alteración de los frenos, del tren de dirección o el marco de cualquier manera o por realizar mantención o dar ajustes a la bicicleta.

Aviso: las especificaciones del triciclo están sujetas a cambios sin notificación.

8 Registro de Compra

Complete este registro y guárdelo junto con su boleta de compra como registro de su compra y potenciales reclamos de garantía.

Nombre: _____

Dirección: _____

Estado/ciudad/postal: _____

Fecha de compra: _____

Lugar de compra: _____

Número Serial: _____

Número de modelo: _____

Código de Fecha de Fabricación: _____



PACIFICCYCLE™

4902 Hammersley Road
Madison, WI 53711
Service: 1-800-626-2811
www.pacific-cycle.com

WWW.SCHWINNBIKES.COM

⚠ WARNING: This product can expose you to chemicals including lead, which is known to the State of California to cause cancer and birth defects or other reproductive harm. For more information go to www.P65Warnings.ca.gov.

OMSCADT1

©2017 Pacific Cycle, Inc.