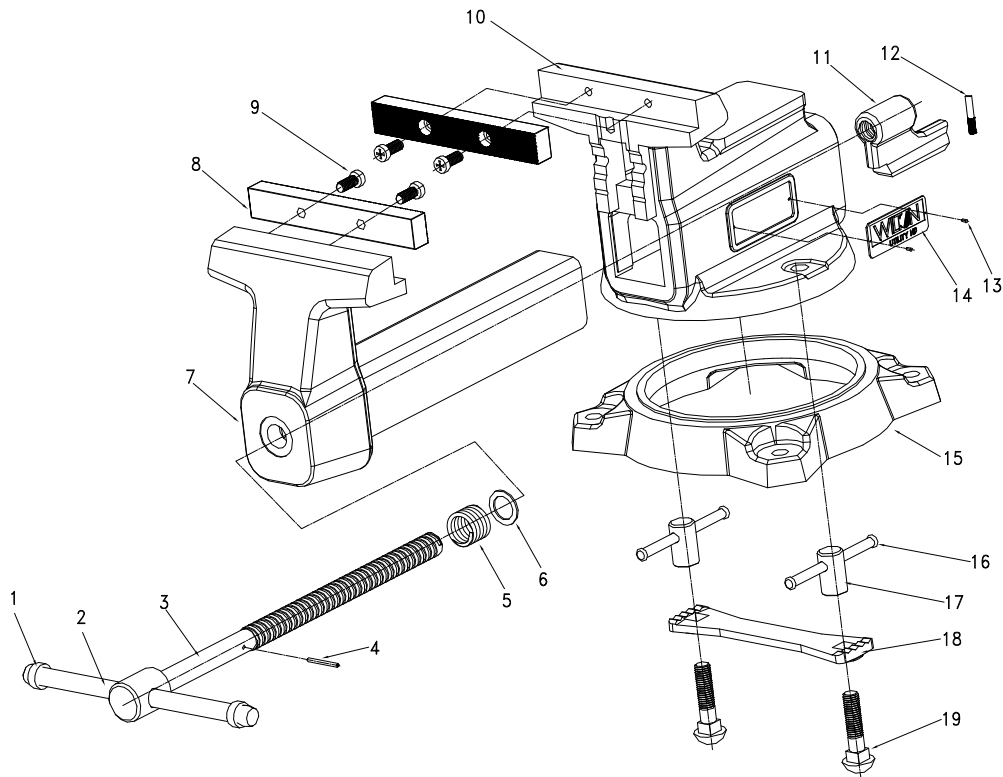


# WILTON®

## UHD-Series Utility Vise



### Replacement parts

		Stock no.	28815	28816
		Model no.	656UHD	648UHD
ITEM	DESCRIPTION	QTY.	PART NO.	
1~3	Spindle and Handle Assembly, Complete	1	28815-001	28816-001
1	Rubber Ring	2		
2	Tommy Bar	1		
3	Spindle	1		
4	Roll Pin (M3x30 for 656UHD; M4x30 for 648UHD)	1	F012088	F012073
5	Spindle Spring	1	83125QZ-07	CR60-04
6	Spindle Washer	1	CR50-07	826Z-05
7	Moving Body	1		
8/9	Jaw Inserts (Set of 2) with 4 Screws	1	28815-008	28816-008
10	Stationary Body	1		
11	Spindle Nut	1	656W-04	648W-04
12	Spindle Nut Pin	1	28815-012	648W-07
13	Plate Rivet	4		
14	Wilton Logo Plate	2	648W-07	648W-07
15	Base Plate	1	656W-05	648W-05
15~19	Base Plate Assembly, Complete	1	28815-015	28816-015
16/17/19	Locking Nut Assembly (one set)	2	28815-016	28816-016
18	Locking Pad	1	656W-06	648W-06

To order parts or reach our service department, call 1-800-274-6848 Monday through Friday, 8:00 a.m. to 5:00 p.m. CST. Having the Model Number and Serial Number of your tool available when you call will allow us to serve you quickly and accurately. Some parts are shown for reference only, and may not be available individually.

**WILTON**  
 427 New Sanford Road  
 LaVergne, Tennessee 37086  
 Ph.: 800-274-6848  
 www.wiltontools.com

**Part No. M-28815**  
 Edition 2 03/2019  
 Copyright © 2018 WILTON



## IMPORTANT SAFETY INSTRUCTIONS

- Misuse of vise can cause serious injury to eyes, hands, limbs, etc.
- To ensure safety, vise must be set up and used properly.
- Before setting up and using, read, understand, and follow all instructions as outlined below.
- **⚠ WARNING:** This product can expose you to chemicals including lead which is known to the State of California to cause cancer and birth defects or other reproductive harm. For more information go to <http://www.p65warnings.ca.gov>.

When setting up vise:

- Use proper size bolts, nuts, lock and flat washers, in all base mounting Holes. Never weld base of vise to any metal object.
- Only hand-tighten swivel base lock down nuts at the sides of the vise.
- Never use a pipe extension to tighten lock nut handles; this can cause the handles to bend and overstress the lock down bolts.
- Make sure the bench top to which the vise is mounted is properly secured.

When using vise:

- Always use vise of proper size and capacity to hold work object.
- Never use a hammer, pipe extension or cheater bar on spindle handle of vise.
- Never unscrew moveable jaw beyond the maximum specified opening of the vise.
- Never use vise as a press for assembly or disassembly of objects.
- Always wear eye and face protection when striking vise-held objects or when using power tools with a vise.
- NOTE: The spindle handle (“tommy bar”) has been engineered to bend if excessive clamping pressure is applied, to prevent potential damage to vise.

## Specifications

Stock no.	<b>28815</b>	<b>28816</b>
Model no.	656UHD	648UHD
Jaw width	6-1/2 in. (165.1 mm)	8 in. (203.2 mm)
Maximum opening <sup>1</sup>	6-1/4 in. (158.8 mm)	8-1/2 in. (215.9 mm)
Throat depth	4-1/4 in. (108 mm)	4-1/2 in. (114.3 mm)
Pipe jaw capacity	1/4 to 3-1/2 in. (6.4 to 88.9 mm)	3/4 to 4 in. (19.1 to 101.6 mm)
Net weight	49.4 lbs. (22.4 kg)	78.7 lbs. (35.7 kg)

<sup>1</sup> based on 50% lead screw engagement with spindle nut



The Wilton® lifetime warranty is for the product’s lifetime with no end date. This warranty covers manufacturer’s defect only and does not cover failures due directly or indirectly to misuse, abuse, negligence or accidents, normal wear-and-tear, improper repair, alterations or lack of maintenance. For more information, please visit [wiltontools.com](http://wiltontools.com).

### How to Get Technical Support

Please contact Technical Service by calling 1-800-274-6846. **Please note that you will be asked to provide proof of initial purchase when calling.** If a product requires further inspection, the Technical Service representative will explain and assist with any additional action needed. Wilton has Authorized Service Centers located throughout the United States. For the name of an Authorized Service Center in your area call 1-800-274-6846 or use the Service Center Locator on the Wilton website.

Wilton sells through distributors only. The specifications listed in Wilton printed materials and on official Wilton branded website are given as general information and are not binding. Wilton reserves the right to effect at any time, without prior notice, those alterations to parts, fittings, and accessory equipment which they may deem necessary for any reason whatsoever.

NOTE: Wilton is a division of JPW Industries, Inc. References in this document to Wilton also apply to JPW Industries, Inc., or any of its successors in interest to the Wilton brand.

656UHD

648UHD



**Utility HD Vise**  
#28815, model 656UHD  
#28816, model 648UHD  
**mounting template**

1. Select circle that matches your vise model.
2. Tape paper in place. *Make sure vise base will not overhang edge of workbench when mounted.*
3. Transfer the four (4) hole centers with a center punch. *Make sure underside of bolt hole locations is clear of legs, brackets, drawers, etc.*
4. Drill four (4) holes:  
656UHD = 1/2" (13mm) diameter holes  
648UHD = 11/16" (17.5mm) diameter holes
5. Mount vise with four (4) hex cap bolts, 2-inches longer than benchtop thickness. **Use minimum Grade 5 bolts.**  
656UHD = 7/16" (11mm) diameter bolts  
648UHD = 5/8" (16mm) diameter bolts
6. Secure with washers and nuts.

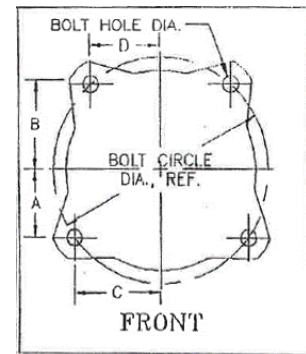
**This side (wider stance) toward edge of workbench**

656UHD

648UHD



## Bench Vise Mounting Dimensions



	Stock No.	Model	Base Part No.	Dimension A (in)	Dimension B (in)	Dimension C (in)	Dimension D (in)	Bolt Circle Diameter (in)	Bolt Hole Diameter (in)	Mounting Bolt Diameter (in)
Mechanics Pro	28810	845M	744M-06	2 7/16"	2 14/16"	2 14/16"	2 7/16"	7 8/16"	1/2"	7/16"
	28811	855M	745M-06	2 13/16"	3 6/16"	3 6/16"	2 13/16"	8 12/16"	1/2"	7/16"
	28812	865M	745M-06	2 13/16"	3 6/16"	3 6/16"	2 13/16"	8 12/16"	1/2"	7/16"
	28813	880M	748M-06	3 5/16"	3 15/16"	3 15/16"	3 5/16"	10 5/16"	11/16"	5/8"
	28814	8100M	748M-06	3 5/16"	3 15/16"	3 15/16"	3 5/16"	10 5/16"	11/16"	5/8"
Mechanics	21300	744	21300-09	2 3/16"	2 14/16"	3 1/16"	2 7/16"	7 8/16"	9/16"	1/2"
	21400	745	1011980	2 9/16"	3 5/16"	3 9/16"	2 13/16"	8 12/16"	11/16"	5/8"
	21500	746	21500-09	2 13/16"	3 12/16"	4 "	3 2/16"	9 12/16"	11/16"	5/8"
	21800	748	1010840	2 13/16"	3 12/16"	4 "	3 2/16"	9 12/16"	11/16"	5/8"
	63187	1550/745 YEL.	1012060	2 9/16"	3 5/16"	3 9/16"	2 13/16"	8 12/16"	11/16"	5/8"
	63188	1560/746 YEL.	1013060	2 13/16"	3 12/16"	4 "	3 2/16"	9 12/16"	11/16"	5/8"
Shop	63300	WS4	310046WA	2 4/16"	2 4/16"	2 4/16"	2 4/16"	6 5/16"	9/16"	1/2"
	63301	WS5	310056WA	2 8/16"	2 8/16"	2 8/16"	2 8/16"	7 "	9/16"	1/2"
	63302	WS6	310066WA	2 11/16"	2 11/16"	2 11/16"	2 11/16"	7 9/16"	9/16"	1/2"
	63304	WS8	310086WA	3 2/16"	3 2/16"	3 2/16"	3 2/16"	8 13/16"	9/16"	1/2"
Utility / Utility HD	28818	674U	674U-05	1 14/16"	2 4/16"	2 4/16"	1 14/16"	5 14/16"	7/16"	3/8"
	28819	675U	675U-05	2 1/16"	2 8/16"	2 8/16"	2 1/16"	6 7/16"	1/2"	7/16"
	28820	676U	744M-06	2 7/16"	2 14/16"	2 14/16"	2 7/16"	7 8/16"	1/2"	7/16"
	28815	656UHD	656W-05	3 2/16"	3 11/16"	3 11/16"	3 2/16"	9 11/16"	1/2"	7/16"
	28816	648UHD	648W-05	3 2/16"	3 12/16"	3 12/16"	3 2/16"	9 12/16"	11/16"	5/8"
	11126	D4/674	2900710	2 "	2 "	2 3/16"	1 13/16"	NA	7/16"	3/8"
	11127	D5/675	2900720	2 1/16"	2 1/16"	2 8/16"	2 "	NA	7/16"	3/8"
	11128	D6/676	2900730	2 7/16"	2 7/16"	2 14/16"	2 5/16"	NA	7/16"	3/8"
	191	656	2656002	3 8/16"	3 8/16"	3 8/16"	3 8/16"	10 "	5/8"	1/2"
11800	648	2648004	3 7/16"	3 7/16"	3 7/16"	3 7/16"	9 12/16"	11/16"	5/8"	
Reversible	28821	4550R	4500R-04	2 13/16"	3 6/16"	3 6/16"	2 13/16"	8 12/16"	1/2"	7/16"
	28822	4650R	4600R-03	2 13/16"	3 6/16"	3 6/16"	2 13/16"	8 12/16"	1/2"	7/16"
	28823	4800R	4800R-04	3 "	3 9/16"	3 9/16"	3 "	9 4/16"	9/16"	1/2"
	14500	4500	11206S03	3 2/16"	3 2/16"	3 2/16"	3 2/16"	8 14/16"	9/16"	1/2"
	14600	4600	11206S03	3 2/16"	3 2/16"	3 2/16"	3 2/16"	8 14/16"	9/16"	1/2"
	14800	4800	14800S07	3 2/16"	3 2/16"	3 2/16"	3 2/16"	8 13/16"	9/16"	1/2"
Multi-Purpose	28824	550P	550P-07	2 2/16"	2 9/16"	2 9/16"	2 2/16"	6 11/16"	1/2"	7/16"
	69999	Multi-Purpose 5	n/a	2 7/16"	2 7/16"	2 7/16"	2 7/16"	6 14/16"	1/2"	7/16"
General Purpose	11104	89100	NA	2 9/16"	2 9/16"	2 9/16"	2 9/16"	5 2/16"	3/8"	5/16"
	11105	89125	NA	3 5/16"	3 5/16"	3 5/16"	3 5/16"	6 10/16"	7/16"	3/8"
	11106	89150	NA	3 14/16"	3 14/16"	3 14/16"	3 14/16"	7 12/16"	1/2"	7/16"