



| | |
|-----------------|------------------|
| Model no.: | Stock no.: |
| Serial no.: | |
| Purchased from: | |
| Date purchased: | Date in service: |

Operating Instructions and Parts Manual

JLP-A Series Manual Lever Hoists/Pullers

1/4- to 6-Ton

JLP-025A
1/4-ton



JLP-150A
1-1/2-ton



(models shown are representative of the series)

JET
427 New Sanford Road
LaVergne, Tennessee 37086
Ph.: 800-274-6848
www.jettools.com


Part No. M-187505
Revision D2 07/2018
Copyright © 2018 JET



1.0 IMPORTANT SAFETY INSTRUCTIONS

WARNING – To reduce risk of injury:

1. Read and understand the entire owner's manual before attempting operation. Failure to comply with instructions and warnings may cause serious injury.
2. This lever hoist is designed and intended for use by properly trained and experienced personnel only. If you are not familiar with the proper and safe operation of a lever hoist, do not use until proper training and knowledge have been obtained.
3. Do not use this lever hoist for other than its intended use. If used for other purposes, JET disclaims any real or implied warranty and holds itself harmless from any injury that may result from that use.
4. Do not use lever hoist to lift, support or transport people; or to lift or support loads over people.
5. Do not exceed the rated capacity of the hoist.
6. Do not attempt to extend the lever handle using a "cheater pipe" or any other such device.
7. Do not strike the lever handle with a hammer or any other object.
8. Do not use the chain as a sling. This may cause damage to the chain.
9. Always inspect the lever hoist for damage prior to use. If hoist is damaged, do not use until it has been repaired or replaced.
10. Do not use more than one lever hoist to lift or move a load. If this is unavoidable, each hoist must have the same capacity as the load to be moved.
11. Never allow chain to "set" over sharp edges. All pulls or lifts must be made with straight chain that is free of obstacles.
12. If the lever handle is difficult to operate, then the load exceeds the capacity of the hoist. Reduce load or select a hoist of larger capacity.
13. Do not use hoist if the chain is twisted, kinked or damaged.
14. Do not operate hoist unless load is centered between top and bottom hooks.
15. On hoists with the overload warning lever, do not use this device to measure load weight.
16. Always take time to study the job to be performed and choose the safest method. Do not place yourself or other people in an unsafe position.
17. Always maintain your balance and firm footing when operating the lever hoist.
18. Leave all internal maintenance and inspections to a qualified JET Service Center.
19. Do not attempt to lengthen or repair load chain. Replace chain with factory replacement chain only. Do not use any other type of chain.
20. If welding near the hoist, do not allow the chain or hook to be touched by a live electrode. Prevent weld splatter upon the chain.
21. Never use the hoist if either hook is stretched, deformed, or has a broken or missing safety latch. Always replace the safety latch and/or the hook before placing the hoist back in service.
22. Be sure supporting structures and load-attaching devices used in conjunction with this lever hoist provide an adequate safety factor to handle the rated load plus the weight of the equipment. If in doubt, consult a qualified structural engineer.
23. Keep visitors a safe distance from the work area. **Keep children away.**
24. Understand and follow all procedures as set forth in American National Standards titled "Performance Standard for Manually Lever Operated Chain Hoists," ANSI/ASME HST-3; and "Manually Lever Operated Hoists," ANSI/ASME B30.21. These standards are available through the American Society of Mechanical Engineers at www.asme.org.

 **WARNING:** This product can expose you to chemicals including lead, which is known to the State of California to cause cancer and birth defects or other reproductive harm. For more information go to <http://www.p65warnings.ca.gov>.

Familiarize yourself with the following safety notices used in this manual:

CAUTION This means that if precautions are not heeded, it may result in minor injury and/or possible tool damage.

WARNING This means that if precautions are not heeded, it may result in serious or even fatal injury.

2.0 Table of Contents

| | |
|--|----|
| 1.0 IMPORTANT SAFETY INSTRUCTIONS | 2 |
| 2.0 Table of Contents | 3 |
| 3.0 Introduction | 4 |
| 4.0 Specifications (JLP-025A, -050A) | 5 |
| 5.0 Specifications (JLP-075A, -150A, -300A, -600A) | 6 |
| 6.0 Unpacking | 7 |
| 6.1 Contents of the carton | 7 |
| 7.0 Installation | 7 |
| 8.0 Initial inspection | 7 |
| 8.1 Inspecting the chain | 7 |
| 8.2 Inspecting hooks | 7 |
| 8.3 Other inspections | 8 |
| 9.0 Operation | 8 |
| 10.0 Precautions | 9 |
| 11.0 Point hooks | 10 |
| 12.0 Inspection and maintenance | 10 |
| 13.0 Wear limits | 11 |
| 13.1 Load chain wear limits | 11 |
| 13.2 Hook wear limits (top and bottom) | 11 |
| 13.3 Brake disc wear limits | 12 |
| 14.0 Timing marks for gear replacement | 12 |
| 15.0 Replacement parts | 13 |
| 15.1.1 JLP-025A through JLP-050A – Exploded View | 13 |
| 15.1.2 JLP-025A – Parts List | 14 |
| 15.1.3 JLP-050A – Parts List | 16 |
| 15.2.1 JLP-075A through JLP-600A – Exploded View | 18 |
| 15.2.2 JLP-075A – Parts List | 19 |
| 15.2.3 JLP-150A – Parts List | 21 |
| 15.2.4 JLP-300A – Parts List | 23 |
| 15.2.5 JLP-600A – Parts List | 25 |
| 16.0 Warranty and Service | 27 |

3.0 Introduction

This manual is provided by JET covering the safe operation and maintenance procedures for the JET JLP-A Series Lever Hoists/Pullers. This manual contains instructions on installation, safety precautions, general operating procedures, maintenance instructions and parts breakdown. This tool has been designed and constructed to provide consistent, long-term operation if used in accordance with instructions set forth in this manual.

The JLP-A Series hoists are all steel construction with a powder coat finish, and have a completely enclosed Weston-type automatic brake system.

The JLP-A series hoists are proof-tested and comply with OSHA, ANSI/ASME B30.21 and HST-3 standards.

If there are any questions or comments, please contact either your local supplier or JET. JET can also be reached at our web site: www.jettools.com.

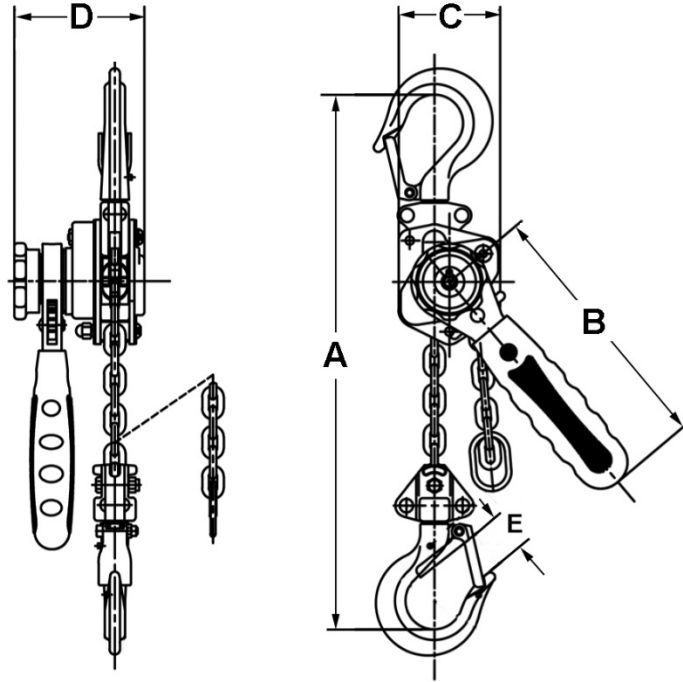
The specifications in this manual were current at time of publication, but because of our policy of continuous improvement, JET reserves the right to change specifications at any time and without prior notice, without incurring obligations.

Register your product using the mail-in card provided, or register online:

<http://www.jettools.com/us/en/service-and-support/product-registration/>

4.0 Specifications (JLP-025A, -050A)

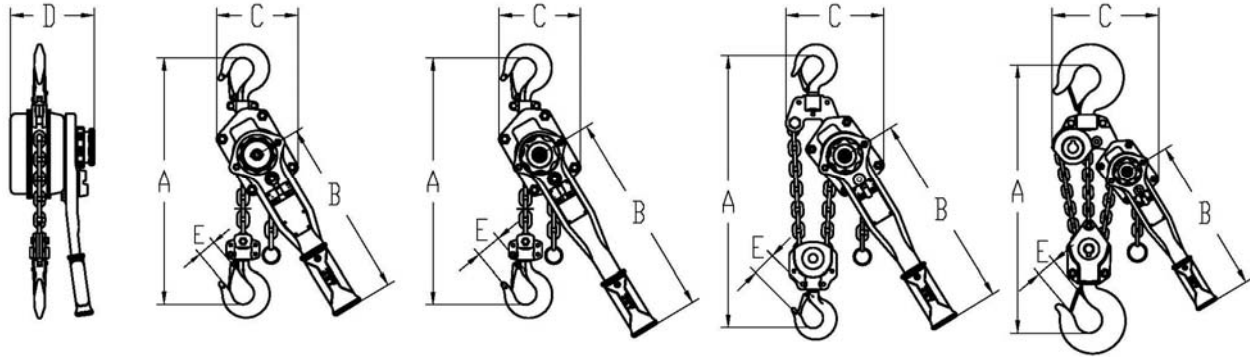
1/4t & 1/2t



| Stock Number | Description | Rated Capcty. (ton) | Std. Lift (ft.) | Min. Distance between hooks (in.) "A" | No. of falls | Load Chain Ø x Pitch (mm) | Lift per full turn of lever (in.) | Lbs. Pull to Lift capacity | Lever Length (in.) "B" | (in.) "C" | Overall width (in.) "D" | Hook Throat Opening (in.) "E" | Net Weight (lbs) |
|--------------|-------------|---------------------|-----------------|---------------------------------------|--------------|---------------------------|-----------------------------------|----------------------------|------------------------|-----------|-------------------------|-------------------------------|------------------|
| 287100 | JLP-025A-5 | 1/4 | 5 | 8.27 | 1 | 4x12 | 3.02 | 60 | 5.91 | 2.44 | 3.1 | 1.40 | 4.56 |
| 287101 | JLP-025A-10 | 1/4 | 10 | 8.27 | 1 | 4x12 | 3.02 | 60 | 5.91 | 2.44 | 3.1 | 1.40 | 5.82 |
| 287102 | JLP-025A-15 | 1/4 | 15 | 8.27 | 1 | 4x12 | 3.02 | 60 | 5.91 | 2.44 | 3.1 | 1.40 | 7.08 |
| 287200 | JLP-050A-5 | 1/2 | 5 | 10.04 | 1 | 4.3x12 | 2.83 | 86 | 8.46 | 2.68 | 3.74 | 1.38 | 5.18 |
| 287201 | JLP-050A-10 | 1/2 | 10 | 10.04 | 1 | 4.3x12 | 2.83 | 86 | 8.46 | 2.68 | 3.74 | 1.38 | 6.82 |
| 287202 | JLP-050A-15 | 1/2 | 15 | 10.04 | 1 | 4.3x12 | 2.83 | 86 | 8.46 | 2.68 | 3.74 | 1.38 | 8.31 |

NOTE: The above stock numbers are representative; chain is available in other lengths. Specify length when ordering.

5.0 Specifications (JLP-075A, -150A, -300A, -600A)



| Stock Number | Description | Rated Capcy (ton) | Std. Lift (ft.) | Min. Distance between hooks (in.) "A" | No. of falls | Load Chain Ø x Pitch (mm) | Lift per full turn of lever (in.) | Lbs. Pull to Lift capacity | Lever Length (in.) "B" | (in.) "C" | Overall width (in.) "D" | Hook Throat Opening (in.) "E" | Net Weight (lbs) |
|--------------|-------------|-------------------|-----------------|---------------------------------------|--------------|---------------------------|-----------------------------------|----------------------------|------------------------|-----------|-------------------------|-------------------------------|------------------|
| 287300 | JLP-075A-5 | 3/4 | 5 | 12.79 | 1 | 6x18 | 0.81 | 31 | 11.02 | 5.31 | 6.1 | 1.46 | 14.15 |
| 287301 | JLP-075A-10 | 3/4 | 10 | 12.79 | 1 | 6x18 | 0.81 | 31 | 11.02 | 5.31 | 6.1 | 1.46 | 16.78 |
| 287302 | JLP-075A-15 | 3/4 | 15 | 12.79 | 1 | 6x18 | 0.81 | 31 | 11.02 | 5.31 | 6.1 | 1.46 | 19.41 |
| 287303 | JLP-075A-20 | 3/4 | 20 | 12.79 | 1 | 6x18 | 0.81 | 31 | 11.02 | 5.31 | 6.1 | 1.46 | 22.04 |
| 287400 | JLP-150A-5 | 1-1/2 | 5 | 14.96 | 1 | 8x24 | 0.87 | 49 | 16.14 | 6.37 | 7.03 | 1.85 | 24.98 |
| 287401 | JLP-150A-10 | 1-1/2 | 10 | 14.96 | 1 | 8x24 | 0.87 | 49 | 16.14 | 6.37 | 7.03 | 1.85 | 29.67 |
| 287402 | JLP-150A-15 | 1-1/2 | 15 | 14.96 | 1 | 8x24 | 0.87 | 49 | 16.14 | 6.37 | 7.03 | 1.85 | 34.33 |
| 287403 | JLP-150A-20 | 1-1/2 | 20 | 14.96 | 1 | 8x24 | 0.87 | 49 | 16.14 | 6.37 | 7.03 | 1.85 | 39.02 |
| 287500 | JLP-300A-5 | 3 | 5 | 18.89 | 1 | 10x30 | 0.69 | 71 | 16.14 | 8.21 | 7.66 | 2.46 | 42.65 |
| 287501 | JLP-300A-10 | 3 | 10 | 18.89 | 1 | 10x30 | 0.69 | 71 | 16.14 | 8.21 | 7.66 | 2.46 | 49.97 |
| 287502 | JLP-300A-15 | 3 | 15 | 18.89 | 1 | 10x30 | 0.69 | 71 | 16.14 | 8.21 | 7.66 | 2.46 | 57.25 |
| 287503 | JLP-300A-20 | 3 | 20 | 18.89 | 1 | 10x30 | 0.69 | 71 | 16.14 | 8.21 | 7.66 | 2.46 | 64.57 |
| 287600 | JLP-600A-5 | 6 | 5 | 24.41 | 2 | 10x30 | 0.34 | 77 | 16.14 | 9.76 | 7.66 | 3.07 | 69.11 |
| 287601 | JLP-600A-10 | 6 | 10 | 24.41 | 2 | 10x30 | 0.34 | 77 | 16.14 | 9.76 | 7.66 | 3.07 | 83.45 |
| 287602 | JLP-600A-15 | 6 | 15 | 24.41 | 2 | 10x30 | 0.34 | 77 | 16.14 | 9.76 | 7.66 | 3.07 | 97.79 |
| 287603 | JLP-600A-20 | 6 | 20 | 24.41 | 2 | 10x30 | 0.34 | 77 | 16.14 | 9.76 | 7.88 | 3.07 | 112.13 |

NOTE: The above stock numbers are representative; chain is available in other lengths. Specify length when ordering. The 1-1/2 Ton and 3 Ton models are available with point ("shipyard") hooks; specify when ordering.

6.0 Unpacking

Open carton and check for shipping damage. Report any damage immediately to your distributor and shipping agent. Do not discard any shipping material until the Lever Hoist is assembled and running properly. Read this entire instruction manual thoroughly for set-up, maintenance and safety instructions.

6.1 Contents of the carton

- 1 Lever Hoist
- 1 Operating Instructions and Parts Manual
- 1 Product Registration Card
- 1 Test Certificate

7.0 Installation

Support for the hoist may be hook, clevis pin, trolley, or beam clamp. Whatever method of suspension is chosen, the support components **must** be rated equal to, or greater than the capacity of the lever hoist. Supporting structures (such as I-Beams, etc.) should be installed by properly licensed professional installers.

8.0 Initial inspection

8.1 Inspecting the chain

- A chain stop must be attached to the second-to-last link on the slack end of the chain. See Figure 2 for an example.

⚠WARNING Do not operate the hoist with a twisted, kinked or damaged chain. Do not splice the chain.

- Check that the chain does not twist along its length from hoist to hook.
- Replace the chain if links are stretched too long or seriously worn on the surface, especially at the points where links contact each other. See "Allowable Limits" on page 11 for measuring chain elongation.
- Do not use a chain that is seriously rusted or cracked.
- Periodically apply a light coat of 30-weight oil to the chain. This will create easier operation and prolong the chain's life. For optimum results, clean the chain with an acid-free solution before oiling.
- **Never** extend load chain by welding a second piece to the original.

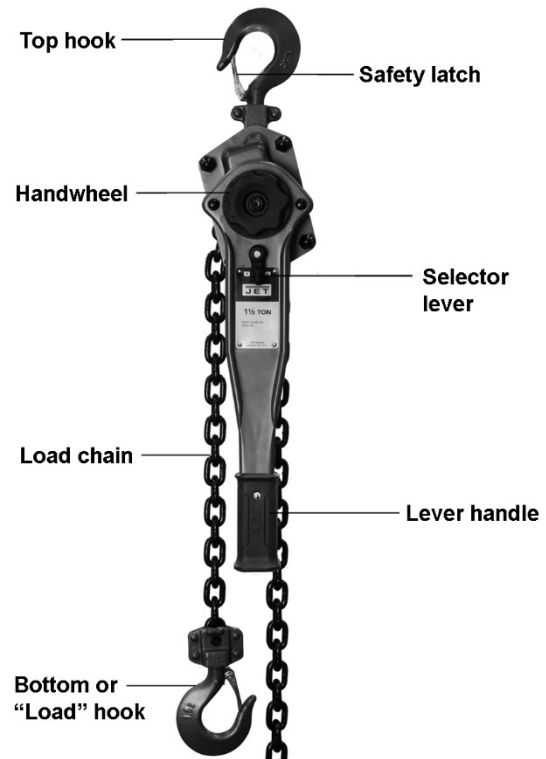


Figure 1
Features and Terminology

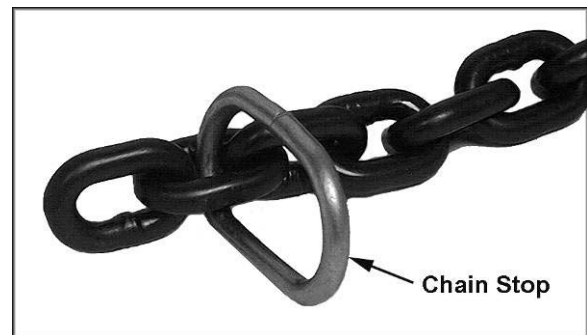


Figure 2

⚠WARNING The load chain supplied with your JET lever hoist is designed, manufactured, and tested for proper fit and durability. If chain should ever need replacing, for your own safety use factory replacement chain only. Use of other than factory replacement chain may cause serious injury and/or damage to the lever hoist.

8.2 Inspecting hooks

It is important to check top and bottom hooks for proper opening and other signs of deformation or damage. Replace a hook immediately if any of the following problems are identified:

- The safety latch no longer contacts the hook opening.

- The vertical angle at the neck of the hook reaches 10° (see Figure 3).
- Chemical corrosion or cracks on the hook.
- Excessive wear on the inside surface.
- The throat opening has enlarged. (See page 11 for the maximum allowable limits for the throat opening.)

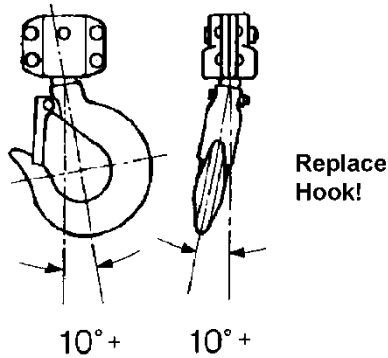


Figure 3

WARNING Do not attempt repair of a hook by heat treating, bending or attaching anything by welding. Such procedures will weaken and may cause failure of the hook.

8.3 Other inspections

- With the lever in the up position, while pulling down on the chain or with a load connected, check for a clicking sound when the handle is rotated in a clockwise direction. If these sounds are not present, or if *irregular* clicking noises develop, do not use the hoist – have it inspected and repaired by an authorized service center.
- With the lever in the up position, check free play in handle rotation. Free play is measured by the distance the handle travels before resistance or gearing is felt. If free play has reached $3/4$ of a turn, brake discs are worn and should be replaced by a JET authorized service center.
- The brake mechanism must be kept clean and free from dirt, water, and oil. Never allow oil to penetrate the braking mechanism. The brake should not slip while using the hoist.
- If the lever hoist has not been used for an extended period of time, check for proper operation before putting into service.
- Always keep your hoist clean and store in a clean, dry location.

9.0 Operation

The JLP Lever Hoist may be used either in vertical position as a hoist; or in angled or horizontal position as a puller. Below is the general procedure for operating the hoist:

- Set the top hook securely.
- Correctly center the load on the bottom hook (Figure 4). Incorrect loading is dangerous to the operator, the lever hoist, and the load.
- Never load the hook in front of the safety latch (A, Figure 5).
- Never load the hook tip (B, Figure 5).
- Never load the hook off the centerline (C, Figure 5).
- Never load the hook sideways (D, Figure 5).

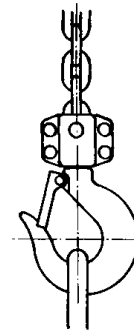


Figure 4

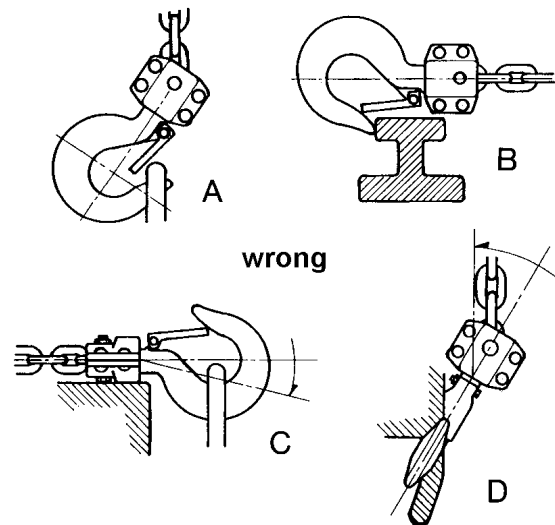


Figure 5

- Place the selector switch on the handle in the center neutral position (Figure 6). Then grasp ring behind handwheel with one hand and rotate handwheel clockwise with other hand. This will allow free-wheel mode. (NOTE: Chain will only free-wheel when there is no load.) Take up slack by pulling on loose or free end of chain, or by turning handwheel.
- When finished with freewheel mode, rotate handwheel counterclockwise to re-engage lifting and lowering modes.

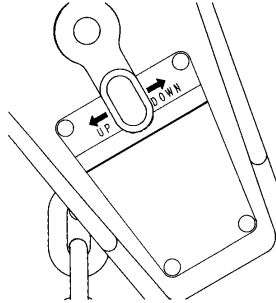


Figure 6

- Move selector switch to the UP position. Ratchet the lever to raise or pull the load. Do not overload the lever hoist.
- To release or lower the load, turn selector switch on the handle to the DOWN position and ratchet the handle.

Avoid lifting one load with two hoists. If this is unavoidable, apply equal weight to both hoists and use hoists with the proper lift capacity. **Capacity of each hoist must be equal to the total load to be lifted.**

10.0 Precautions

- During pulling operations, the operator should stand near the side of the top hook on the opposite side from the lever. If the hand should slip off the lever, the lever will spring back away from the operator.
- During lifting operations, do not stand under the load.
- Do not use an extension on the lever (Figure 7).
- Do not use a foot to apply pressure to the lever (Figure 8).
- Prevent the chain from dragging over sharp edges or corners. These will cause links to weaken, bend, or break, (Figure 9).

- When using a wire rope sling, the puller must be applied along a straight line parallel to the surface on which it is resting (Figure 10).

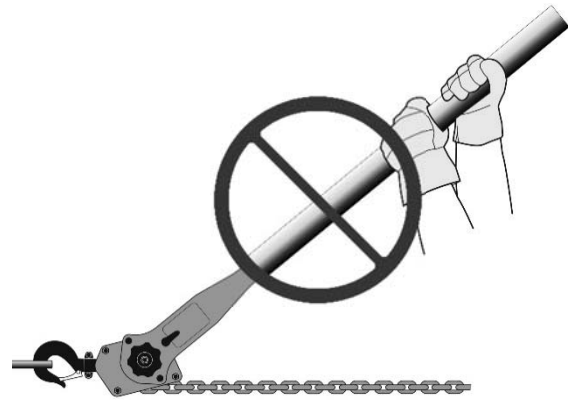


Figure 7

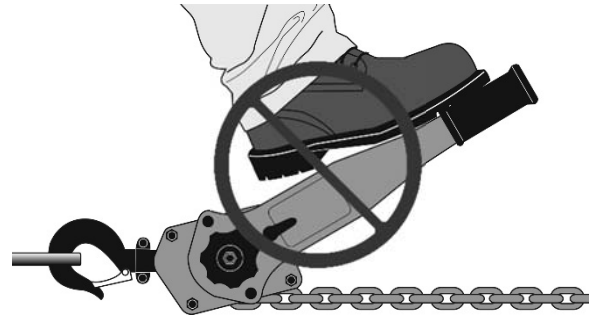


Figure 8

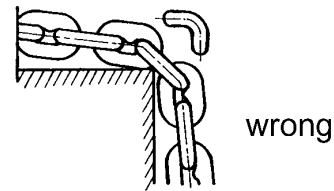


Figure 9

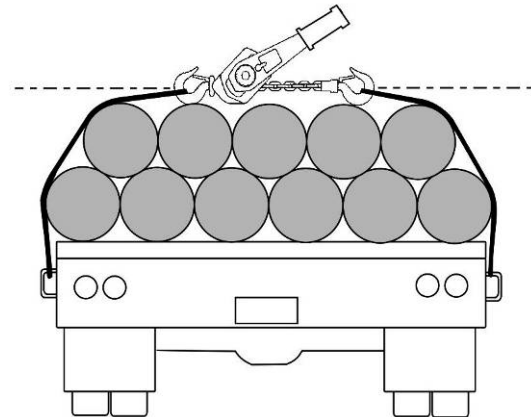


Figure 10

- When lifting loads, hook the load with slings. Do not use the lever hoist chain as a sling, (Figure 11).

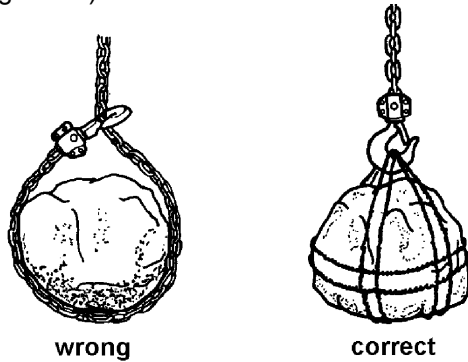


Figure 11

- Both ends of a sling or rope must be completely on the inside of the safety latch before pulling or lifting the load. Do not put one end on the inside of the latch and leave the other end on the hook end outside the latch.

11.0 Point hooks

Point or “shipyard” hooks are available for your JET lever hoist, in 1-1/2 ton and 3 ton load sizes. They are available in both upper and lower hook styles.

Point hooks are used in the metal and ship building industries, and are designed for positioning steel plate and fixtures before welding.

12.0 Inspection and maintenance

Read and follow ANSI Inspection and Maintenance Instructions. Know the meaning of Frequent Inspection, Periodic Inspection, Normal Service, Heavy Service, and Severe Service. It is the customer’s responsibility to understand and follow all ANSI and JET inspection and maintenance instructions.

The lever hoist should be stored in a clean, dry environment. Clean and oil the hoist before storage.

Hoists that are installed out-of-doors should be covered or brought inside when not in use.

Periodically apply a light coat of 30 weight oil to the load chain. Also lubricate the safety latches and the bearings in the hooks.

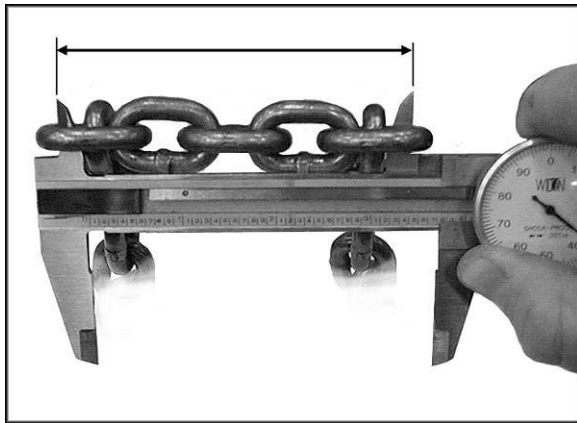
Annually, the hoist should be disassembled, inspected, and cleaned by trained and experienced personnel only. Contact a JET authorized service center by calling your dealer or visiting our web site at jettools.com.

13.0 Wear limits

13.1 Load chain wear limits

Carefully inspect the entire load chain. As illustrated in Figure 12, measure five consecutive links with calipers to find the length. Compare the results with the table in Figure 12. Check every three feet and especially where excessive wear is indicated. Any load chain that shows noticeable deformation or heat influence must be replaced with a new one.

⚠WARNING Never extend load chain by welding a second piece to the original.



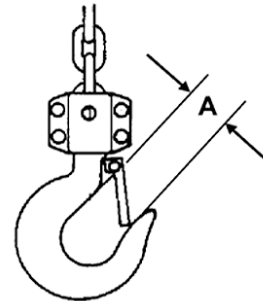
| Hoist Capacity | 5 Links Normal (mm) | 5 Links Limit Replace if ≥ |
|----------------|---------------------|-------------------------------|
| 1/4 ton | 2.36" | 2.433" |
| 1/2 ton | 2.36" | 2.433" |
| 3/4 ton | 3.54" | 3.629" |
| 1-1/2 ton | 4.72" | 4.838" |
| 3 ton | 5.91" | 6.058" |
| 6 ton | 5.91" | 6.058" |

Figure 12

13.2 Hook wear limits (top and bottom)

Replace the hook when "A" in Figure 13 is wider than the "Throat Opening Limit" shown in the accompanying table.

Never heat treat the hook or attach anything to the hook by welding.



| Capacity | Standard Throat Opening (A) | Throat Opening Limit (A) |
|-----------|-----------------------------|--------------------------|
| 1/4 ton | 1.40" | 1.47" |
| 1/2 ton | 1.38" | 1.45" |
| 3/4 ton | 1.46" | 1.54" |
| 1-1/2 ton | 1.85" | 1.95" |
| 3 ton | 2.46" | 2.59" |
| 6 ton | 3.07" | 3.23" |

Figure 13

13.3 Brake disc wear limits

The brake disc wear indicator on the handwheel (Figure 14) will move to the left as the brake wears. When indicator reaches left side of diagram, the brake must be replaced.

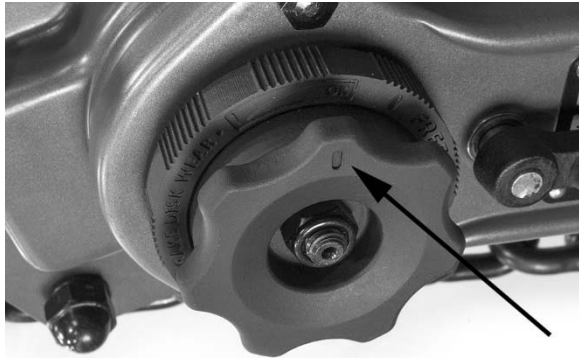


Figure 14

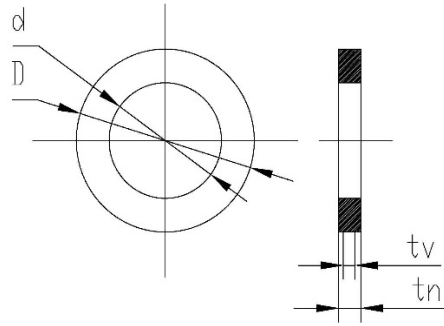


Figure 15

| Capacity | D (in) | d (in) | tn (in) | tv(in) |
|----------|--------|--------|---------|--------|
| 0.25 t | 1.38 | 0.87 | 0.14 | 0.12 |
| 0.5 t | 1.89 | 1.00 | 0.12 | 0.10 |
| 0.75 t | 2.13 | 1.34 | 0.14 | 0.12 |
| 1.5 t | 2.56 | 1.59 | 0.14 | 0.12 |
| 3 t | 2.56 | 1.59 | 0.14 | 0.12 |
| 6 t | 2.56 | 1.59 | 0.14 | 0.12 |

d = Inner diameter

D = Outer diameter

tn = Normal measurement

tv = Replacement limit

14.0 Timing marks for gear replacement

If the gears on the JLP-A hoist need replacement or removal for any reason, make sure they are re-installed correctly. Figure 16 shows the proper orientation of the timing marks when meshing the gears.

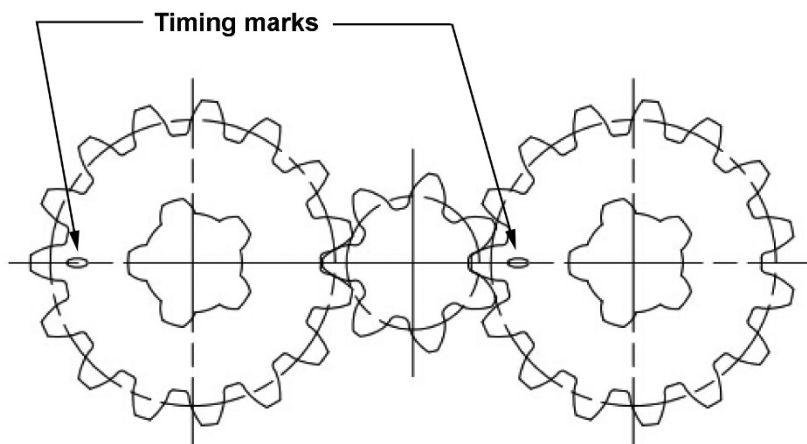


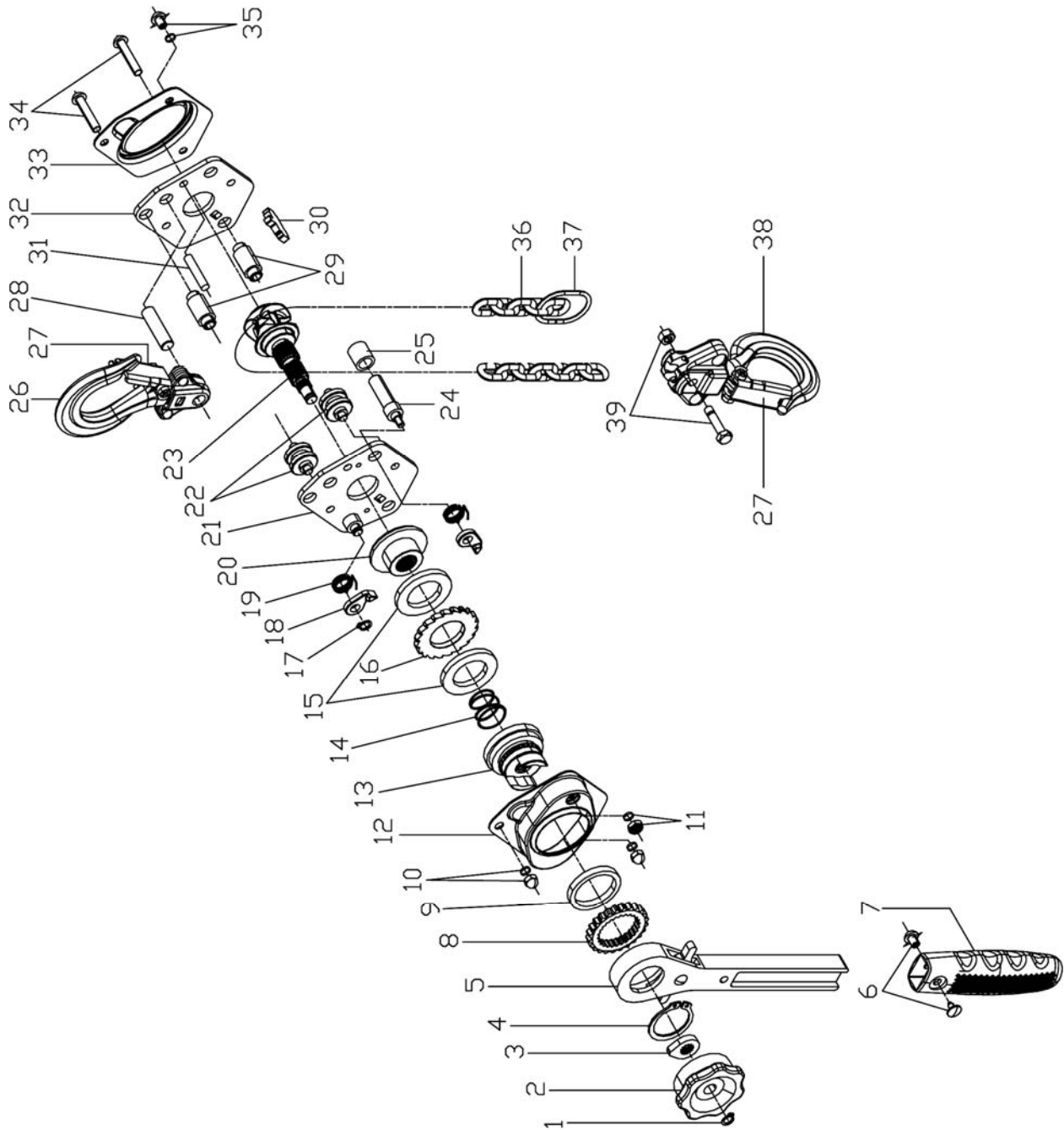
Figure 16

15.0 Replacement parts

Replacement parts are listed on the following pages. To order parts or reach our service department, call 1-800-274-6848 Monday through Friday, 8:00 a.m. to 5:00 p.m. CST. Having the Model Number and Serial Number of your machine available when you call will allow us to serve you quickly and accurately.

Non-proprietary parts, such as fasteners, can be found at local hardware stores, or may be ordered from JET. Some parts are shown for reference only, and may not be available individually.

15.1.1 JLP-025A through JLP-050A – Exploded View



15.1.2 JLP-025A – Parts List

| Index No. | Part No. | Description | Size | Qty |
|-----------|--------------|-------------------------------------|-----------------|-----|
| 1 | JLP25A-01 | Snap Ring | Ø7 mm | 1 |
| 2 | JLP25A-02G | Handwheel | | 1 |
| 3 | JLP25A-03 | Stop Knob | | 1 |
| 4 | JLP25A-04 | Snap Ring | Ø25 mm | 1 |
| 5 | JLP25A-05 | Lever Handle Assembly | | 1 |
| | | Lever Handle | | 1 |
| | | Selector Lever | | 1 |
| | | Change Over Pawl | | 1 |
| | | Snap Ring | Ø7 mm | 1 |
| | | Spring | | 1 |
| | | Roller | Ø5 mm | 1 |
| 6 | JLP25A-06 | Bolt with Nut | M3.5 | 1 |
| 7 | JLP25A-07 | Rubber Grip | | 1 |
| 8 | JLP25A-08 | Change Over Gear | | 1 |
| 9 | JLP25A-09 | Lever Handle Bushing | | 1 |
| 10 | JLP25A-10G | Nut and Spring Washer | M5 and 5 mm | 2 |
| 11 | JLP25A-11G | Hex Screw Nut and Spring Washer | M4x4 mm | 1 |
| 12 | JLP25A-12G | Brake Cover | | 1 |
| 13 | JLP25A-13 | Brake Plate | | 1 |
| 14 | JLP25A-14 | Twisting Spring | | 1 |
| 15 | JLP25A-15 | Friction Disc | | 2 |
| 16 | JLP25A-16 | Ratchet Disc | | 1 |
| 17 | JLP25A-17 | Snap Ring | Ø6 mm | 1 |
| 18 | JLP25A-18 | Pawl | | 2 |
| 19 | JLP25A-19 | Pawl Spring | | 2 |
| 20 | JLP25A-20 | Brake Seat | | 1 |
| 21 | JLP25A-21 | Lever Side Plate Assembly | | 1 |
| | | Lever Side Plate | | 1 |
| | | Pawl Pin | | 1 |
| 22 | JLP25A-22 | Chain Guide | | 2 |
| 23 | JLP25A-23 | Load Sprocket and Pinion Shaft | | 1 |
| 24 | JLP25A-24 | Stay Bolt II | | 1 |
| 25 | JLP25A-25 | Spacer Pin | | 1 |
| 26 | JLP25A-26G | Top Hook Assembly | | 1 |
| | | Top Hook | | 1 |
| | | Top Hook Holder | | 2 |
| | | Rivet | | 2 |
| | | Top Hook Shaft | | 1 |
| | | Safety Latch Kit | | 1 |
| 27 | JLP25A -27-1 | Safety Latch Kit | | 2 |
| | | Safety Latch | | 2 |
| | | Double Spring | | 2 |
| | | Socket Cap Screw | M4x25 | 2 |
| | | Lock Nut | M4 | 2 |
| 28 | JLP25A-28 | Top Hook Shaft | | 1 |
| 29 | JLP25A-29 | Stay Bolt | | 2 |
| 30 | JLP25A-30 | Stripper | | 1 |
| 31 | JLP25A-31 | Hook Holder Protection Pin | | 1 |
| 32 | JLP25A-32 | Gear Side Plate | | 1 |
| 33 | JLP25A-33G | Gear Side Plate Cover | | 1 |
| 34 | JLP25A-34G | Socket Head Screw | M5x32 | 2 |
| 35 | JLP25A-35G | Socket Head Screw and Spring Washer | M5x12 and Ø5 mm | 1 |
| 36 | JLP25A-36 | Load Chain – <i>specify length</i> | Ø4x12 mm | 1 |
| 37 | JLP25A-37 | Chain Stop | | 1 |

When ordering replacement chain (#36), specify length.

| Index No. | Part No. | Description | Size | Qty |
|------------------|-----------------|---------------------------|-------------|------------|
| 38 | JLP25A-38G | Bottom Hook Assembly | | 1 |
| | | Bottom Hook | | 1 |
| | | Bottom Hook Holder | | 2 |
| | | Rivet | | 2 |
| | | Safety Latch Kit | | 1 |
| 39 | JLP25A-39 | Load Pin and Load Pin Nut | M5 | 1 |
| | LM000048 | Name Plate JLP-25A | | 1 |

Note: All parts mentioned as assembly are sold as an assembly only.

15.1.3 JLP-050A – Parts List

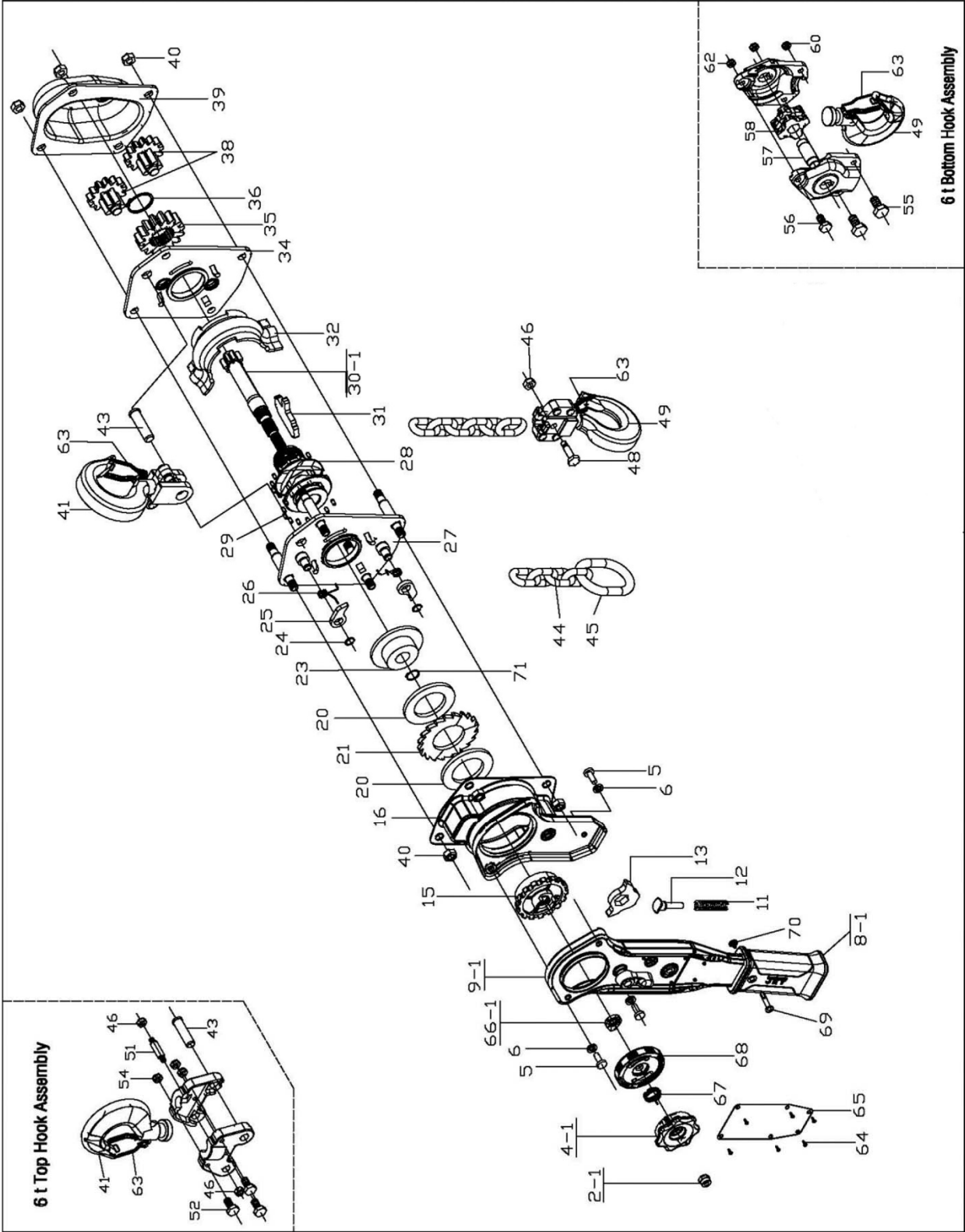
| Index No. | Part No. | Description | Size | Qty |
|-----------|--------------|-------------------------------------|-----------------|-----|
| 1 | JLP25A-01 | Snap Ring | Ø7 mm | 1 |
| 2 | JLP25A-02G | Handwheel | | 1 |
| 3 | JLP50A-03 | Stop Knob | | 1 |
| 4 | JLP50A-04 | Snap Ring | Ø28 mm | 1 |
| 5 | JLP50A-05 | Lever Handle Assembly | | 1 |
| | | Lever Handle | | 1 |
| | | Selector Lever | | 1 |
| | | Change Over Pawl | | 1 |
| | | Snap Ring | Ø7 mm | 1 |
| | | Spring | | 1 |
| | | Roller | Ø5 mm | 1 |
| 6 | JLP25A-06 | Bolt with Nut | M3.5 | 1 |
| 7 | JLP50A-07 | Rubber Grip | | 1 |
| 8 | JLP50A-08 | Change Over Gear | | 1 |
| 9 | JLP50A-09 | Lever Handle Bushing | | 1 |
| 10 | JLP50A-10G | Nut and Spring Washer | M6 and 6 mm | 2 |
| 11 | JLP25A-11G | Hex Screw Nut and Spring Washer | M4x4 mm | 1 |
| 12 | JLP50A-12G | Brake Cover | | 1 |
| 13 | JLP50A-13 | Brake Plate | | 1 |
| 14 | JLP50A-14 | Twisting Spring | | 1 |
| 15 | JLP50A-15 | Friction Disc | | 2 |
| 16 | JLP50A-16 | Ratchet Disc | | 1 |
| 17 | JLP25A-17 | Snap Ring | Ø6 mm | 1 |
| 18 | JLP25A-18 | Pawl | | 2 |
| 19 | JLP25A-19 | Pawl Spring | | 2 |
| 20 | JLP50A-20 | Brake Seat | | 1 |
| 21 | JLP50A-21 | Lever Side Plate Assembly | | 1 |
| | | Lever Side Plate | | 1 |
| | | Pawl Pin | | 1 |
| 22 | JLP50A-22 | Chain Guide | | 2 |
| 23 | JLP50A-23 | Load Sprocket and Pinion Shaft | | 1 |
| 24 | JLP50A-24 | Stay Bolt II | | 1 |
| 25 | JLP50A-25 | Spacer Pin | | 1 |
| 26 | JLP50A-26G | Top Hook Assembly | | 1 |
| | | Top Hook | | 1 |
| | | Top Hook Holder | | 2 |
| | | Rivet | | 2 |
| | | Top Hook Shaft | | 1 |
| | | Safety Latch Kit | | 1 |
| 27 | JLP50A -27-1 | Safety Latch Kit | | 2 |
| | | Safety Latch | | 2 |
| | | Double Spring | | 2 |
| | | Socket Cap Screw | M4x25 | 2 |
| | | Lock Nut | M4 | 2 |
| 28 | JLP50A-28 | Top Hook Shaft | | 1 |
| 29 | JLP50A-29 | Stay Bolt | | 2 |
| 30 | JLP50A-30 | Stripper | | 1 |
| 31 | JLP50A-31 | Hook Holder Protection Pin | | 1 |
| 32 | JLP50A-32 | Gear Side Plate | | 1 |
| 33 | JLP50A-33G | Gear Side Plate Cover | | 1 |
| 34 | JLP50A-34G | Socket Head Screw | M6x35 | 2 |
| 35 | JLP50A-35G | Socket Head Screw and Spring Washer | M6x10 and Ø6 mm | 1 |
| 36 | JLP50A-36 | Load Chain – <i>specify length</i> | Ø4.3x12 mm | 1 |
| 37 | JLP25A-37 | Chain Stop | | 1 |

When ordering replacement chain (#36), specify length.

| Index No. | Part No. | Description | Size | Qty |
|------------------|-----------------|---------------------------|-------------|------------|
| 38 | JLP50A-38G | Bottom Hook Assembly | | 1 |
| | | Bottom Hook | | 1 |
| | | Bottom Hook Holder | | 2 |
| | | Rivet | | 2 |
| | | Safety Latch Kit | | 1 |
| 39 | JLP50A-39 | Load Pin and Load Pin Nut | M5 | 1 |
| | LM000049 | Name Plate JLP-50A | | 1 |

Note: All parts mentioned as assembly are sold as an assembly only.

15.2.1 JLP-075A through JLP-600A – Exploded View



15.2.2 JLP-075A – Parts List

| Index No. | Part No. | Description | Size | Qty |
|-----------|-------------|--|---------|-----|
| 2-1 | JLP75A-02-1 | Lock Nut | M8 | 1 |
| 4-1 | JLP75A-04-1 | Hand Wheel Assembly | | 1 |
| | | Hand Wheel | | 1 |
| | | Steel Ball Spring | | 2 |
| | | Steel Ball | | 2 |
| 5 | JLP75A-05G | Hex Head Screw | M6 | 3 |
| 6 | JLP75A-06G | Spring Washer | Ø6 mm | 3 |
| 8-1 | JLP75A-08-1 | Rubber Grip | | 1 |
| 9-1 | JLP75A-09-1 | Lever Handle Assembly | | 1 |
| | | Lever Handle | | 1 |
| | | Selector Lever | | 1 |
| | | Thread Housing | | 1 |
| | | Change Over Shaft | | 1 |
| | | Bushing | | 1 |
| | | Spring Seat | | 1 |
| | | Rivet | | 2 |
| 11 | JLP75A-11 | Change Over Spring | | 1 |
| 12 | JLP75A-12 | Spring Shaft | | 1 |
| 13 | JLP75A-13 | Change Over Pawl | | 1 |
| 15 | JLP75A-15 | Change Over Gear | | 1 |
| 16 | JLP75A-16G | Brake Cover Assembly | | 1 |
| | | Brake Cover | | 1 |
| | | Handle Case | | 1 |
| | | Bushing | | 1 |
| | | Screw Nut | | 2 |
| 20 | JLP75A-20 | Friction Disc | | 2 |
| 21 | JLP75A-21 | Ratchet Disc | | 1 |
| 23 | JLP75A-23 | Brake Seat | | 1 |
| 24 | JLP75A-24 | Snap Ring | Ø9 mm | 2 |
| 25 | JLP75A-25 | Pawl | | 2 |
| 26 | JLP75A-26 | Pawl Spring | | 2 |
| 27 | JLP75A-27 | Lever Side Plate Assembly | | 1 |
| | | Lever Side Plate | | 1 |
| | | Stay Bolt | | 4 |
| | | Pawl Pin | | 2 |
| | | Bearing Race | | 1 |
| 28 | JLP75A-28 | Load Sprocket | | 1 |
| | JLP75A-28A | Load Sprocket (s/n 120604733 and higher) | | 1 |
| 29 | JLP75A-29 | Roller Set (Right and Left) | Ø3x6 mm | 66 |
| 30-1 | JLP75A-30-1 | Driving Pinion | | 1 |
| 31 | JLP75A-31 | Stripper | | 1 |
| 32 | JLP75A-32 | Chain Guide Plate | | 1 |
| 34 | JLP75A-34 | Gear Side Plate Assembly | | 1 |
| | | Gear Side Plate | | 1 |
| | | Bearing Race | | 1 |
| | | Bushing | | 2 |
| 35 | JLP75A-35 | Load Gear | | 1 |
| | JLP75A-35A | Load Gear (s/n 120604733 and higher) | | 1 |
| 36 | JLP75A-36 | Snap Ring | Ø26 mm | 1 |
| 38 | JLP75A-38 | Spur Gear Assembly | | 2 |

| Index No. | Part No. | Description | Size | Qty |
|-----------|-------------|--|----------|-----|
| 39 | JLP75A-39G | Gear Cover Assembly | | 1 |
| | | Gear Cover | | 1 |
| | | Bushing | | 2 |
| | | Gear Cover Plate | | 1 |
| 40 | JLP75A-40G | Lock Nut (0.75T) | M8 | 8 |
| 41 | JLP75A-41G | Top Hook Assembly | | 1 |
| | | Top Hook | | 1 |
| | | Top Hook Holder | | 2 |
| | | Safety Latch Kit | | 1 |
| | | Top Hook Shaft | | 1 |
| 43 | JLP75A-43 | Top Hook Shaft | | 1 |
| 44 | JLP75A-44 | Load Chain – <i>specify length</i> | Ø6x18 mm | 1 |
| 45 | JLP75A-45 | Chain Stop (0.75T, 1.5T, 3T, 6T) | | 1 |
| 46 | F001753 | Load Pin Nut | M6 | 1 |
| 48 | JLP75A-48 | Load Pin | | 1 |
| 49 | JLP75A-49G | Bottom Hook Assembly | | 1 |
| | | Bottom Hook | | 1 |
| | | Bottom Hook Holder | | 2 |
| | | Safety Latch Kit | | 1 |
| | | Rivet | | 4 |
| | | Load Pin | | 1 |
| | | Load Pin Nut | M6 | 1 |
| 63 | JLP75A-63-1 | Safety Latch Kit | | 2 |
| | | Safety Latch | | 2 |
| | | Double Spring | | 2 |
| | | Socket Cap Screw | M4x25 | 2 |
| | | Lock Nut | M4 | 2 |
| 64 | JLP75A-64 | Name Plate Rivet (0.75T, 1.5T, 3T, 6T) | 3x6 mm | 6 |
| 65 | LM000050 | Name Plate JLP-75A | | 1 |
| 66-1 | JLP75A-66-1 | Stop Knob | | 1 |
| 67 | JLP75A-67 | Twisting Spring (0.75T, 1.5T, 3T, 6T) | | 1 |
| 68 | JLP75A-68 | Hand Wheel Base Assembly | | 1 |
| | | Hand Wheel Base | | 1 |
| | | Bushing | | 2 |
| 69 | JLP75A-69 | Rubber Grip Fastening (0.75T,1.5T,3T,6T) | | 1 |
| 70 | JLP75A-70 | Fastening Screw (0.75T,1.5T,3T,6T) | | 1 |
| 71 | JLP75A-71 | Snap Ring | | 1 |

Note: All parts mentioned as assembly are sold as an assembly only.

When ordering replacement chain (#44), specify length.

15.2.3 JLP-150A – Parts List

| Index No. | Part No. | Description | Size | Qty |
|-----------|--------------|--|---------|-----|
| 2-1 | JLP150A-02-1 | Lock Nut (1.5T, 3T, 6T) | M10 | 1 |
| 4-1 | JLP150A-04-1 | Hand Wheel Assembly (1.5T, 3T, 6T) | | 1 |
| | | Hand Wheel | | 1 |
| | | Steel Ball Spring | | 2 |
| | | Steel Ball | | 2 |
| 5 | JLP150A-05G | Hex Head Screw (1.5T, 3T, 6T) | M8 | 3 |
| 6 | JLP150A-06G | Spring Washer (1.5T, 3T, 6T) | Ø8 mm | 3 |
| 8-1 | JLP150A-08-1 | Rubber Grip (1.5T, 3T, 6T) | | 1 |
| 9-1 | JLP150A-09-1 | Lever Handle Assembly (1.5T, 3T, 6T) | | 1 |
| | | Lever Handle | | 1 |
| | | Selector Lever | | 1 |
| | | Thread Housing | | 1 |
| | | Change Over Shaft | | 1 |
| | | Bushing | | 1 |
| | | Spring Seat | | 1 |
| | | Rivet | | 2 |
| 11 | JLP150A-11 | Change Over Spring (1.5T, 3T, 6T) | | 1 |
| 12 | JLP150A-12 | Spring Shaft (1.5T, 3T, 6T) | | 1 |
| 13 | JLP150A-13 | Change Over Pawl (1.5T, 3T, 6T) | | 1 |
| 15 | JLP150A-15 | Change Over Gear (1.5T, 3T, 6T) | | 1 |
| 16 | JLP150A-16G | Brake Cover Assembly | | 1 |
| | | Brake Cover | | 1 |
| | | Handle Case | | 1 |
| | | Bushing | | 1 |
| | | Screw Nut | | 2 |
| 20 | JLP150A-20 | Friction Disc (1.5T, 3T, 6T) | | 2 |
| 21 | JLP150A-21 | Ratchet Disc (1.5T, 3T, 6T) | | 1 |
| 23 | JLP150A-23 | Brake Seat (1.5T, 3T, 6T) | | 1 |
| 24 | JLP150A-24 | Snap Ring | Ø9 mm | 2 |
| 25 | JLP150A-25 | Pawl | | 2 |
| 26 | JLP150A-26 | Pawl Spring | | 2 |
| 27 | JLP150A-27 | Lever Side Plate Assembly | | 1 |
| | | Lever Side Plate | | 1 |
| | | Stay Bolt | | 4 |
| | | Pawl Pin | | 2 |
| | | Bearing Race | | 1 |
| 28 | JLP150A-28 | Load Sprocket | | 1 |
| | JLP150A-28A | Load Sprocket (s/n 120606750 and higher) | | 1 |
| 29 | JLP150A-29 | Roller Set (Right and Left) | Ø3x6 mm | 74 |
| 30-1 | JLP150A-30-1 | Driving Pinion | | 1 |
| 31 | JLP150A-31 | Stripper | | 1 |
| 32 | JLP150A-32 | Chain Guide Plate | | 1 |
| 34 | JLP150A-34 | Gear Side Plate Assembly | | 1 |
| | | Gear Side Plate | | 1 |
| | | Bearing Race | | 1 |
| | | Bushing | | 2 |
| 35 | JLP150A-35 | Load Gear | | 1 |
| | JLP150A-35A | Load Gear (s/n 120606750 and higher) | | 1 |
| 36 | JLP150A-36 | Snap Ring | Ø30 mm | 1 |
| 38 | JLP150A-38 | Spur Gear Assembly | | 2 |
| 39 | JLP150A-39G | Gear Cover Assembly | | 1 |
| | | Gear Cover | | 1 |
| | | Bushing | | 2 |
| | | Gear Cover Plate | | 1 |
| 40 | JLP150A-40G | Lock Nut (1.5T) | M10 | 8 |

| Index No. | Part No. | Description | Size | Qty |
|-----------|---------------|--|----------|-----|
| 41 | JLP150A-41G | Top Hook Assembly (standard hook) | | 1 |
| | JLP150A-41PHG | Top Hook Assembly (ship yard hook) | | 1 |
| | | Top Hook | | 1 |
| | | Top Hook Holder | | 2 |
| | | Safety Latch Kit | | 1 |
| | | Top Hook Shaft | | 1 |
| 43 | JLP150A-43 | Top Hook Shaft | | 1 |
| 44 | JLP150A-44 | Load Chain – <i>specify length</i> | Ø8x24 mm | 1 |
| 45 | JLP75A-45 | Chain Stop (0.75T, 1.5T, 3T, 6T) | | 1 |
| 46 | F001754 | Load Pin Nut | M8 | 1 |
| 48 | JLP150A-48 | Load Pin | | 1 |
| 49 | JLP150A-49G | Bottom Hook Assembly (standard hook) | | 1 |
| | JLP150A-49PHG | Bottom Hook Assembly (ship yard hook) | | 1 |
| | | Bottom Hook | | 1 |
| | | Bottom Hook Holder | | 2 |
| | | Safety Latch Kit | | 1 |
| | | Rivet | | 4 |
| | | Load Pin | | 1 |
| | | Load Pin Nut | M8 | 1 |
| 63 | JLP150A-63-1 | Safety Latch Kit | | 2 |
| | | Safety Latch | | 2 |
| | | Double Spring | | 2 |
| | | Socket Cap Screw | M5x30 | 2 |
| | | Lock Nut | M5 | 2 |
| 64 | JLP75A-64 | Name Plate Rivet (0.75T, 1.5T, 3T, 6T) | Ø3x6 mm | 4 |
| 65 | LM000051 | Name Plate JLP-150A | | 1 |
| 66-1 | JLP150A-66-1 | Stop Knob (1.5T, 3T, 6T) | | 1 |
| 67 | JLP75A-67 | Twisting Spring (0.75T, 1.5T, 3T, 6T) | | 1 |
| 68 | JLP150A-68 | Hand Wheel Base Assembly (1.5T, 3T, 6T) | | 1 |
| | | Hand Wheel Base | | 1 |
| | | Bushing | | 2 |
| 69 | JLP75A-69 | Rubber Grip Fastening (0.75T,1.5T,3T,6T) | | 1 |
| 70 | JLP75A-70 | Fastening Screw (0.75T,1.5T,3T,6T) | | 1 |
| 71 | JLP150A-71 | Snap Ring (1.5T, 3T, 6T) | | 1 |

Note: All parts mentioned as assembly are sold as an assembly only.

When ordering replacement chain (#44), specify length.

15.2.4 JLP-300A – Parts List

| Index No. | Part No. | Description | Size | Qty |
|-----------|--------------|--|---------|-----|
| 2-1 | JLP150A-02-1 | Lock Nut (1.5T, 3T, 6T) | M10 | 1 |
| 4-1 | JLP150A-04-1 | Hand Wheel Assembly (1.5T, 3T, 6T) | | 1 |
| | | Hand Wheel | | 1 |
| | | Steel Ball Spring | | 2 |
| | | Steel Ball | | 2 |
| 5 | JLP150A-05G | Hex Head Screw (1.5T, 3T, 6T) | M8 | 3 |
| 6 | JLP150A-06G | Spring Washer (1.5T, 3T, 6T) | Ø8 mm | 3 |
| 8-1 | JLP150A-08-1 | Rubber Grip (1.5T, 3T, 6T) | | 1 |
| 9-1 | JLP150A-09-1 | Lever Handle Assembly (1.5T, 3T, 6T) | | 1 |
| | | Lever Handle | | 1 |
| | | Selector Lever | | 1 |
| | | Change Over Shaft | | 1 |
| | | Thread Housing | | 1 |
| | | Bushing | | 1 |
| | | Spring Seat | | 1 |
| | | Rivet | | 2 |
| 11 | JLP150A-11 | Change Over Spring (1.5T, 3T, 6T) | | 1 |
| 12 | JLP150A-12 | Spring Shaft (1.5T, 3T, 6T) | | 1 |
| 13 | JLP150A-13 | Change Over Pawl (1.5T, 3T, 6T) | | 1 |
| 15 | JLP150A-15 | Change Over Gear (1.5T, 3T, 6T) | | 1 |
| 16 | JLP300A-16G | Brake Cover Assembly | | 1 |
| | | Brake Cover | | 1 |
| | | Handle Case | | 1 |
| | | Bushing | | 1 |
| | | Screw Nut | | 2 |
| 20 | JLP150A-20 | Friction Disc (1.5T, 3T, 6T) | | 2 |
| 21 | JLP150A-21 | Ratchet Disc (1.5T, 3T, 6T) | | 1 |
| 23 | JLP150A-23 | Brake Seat (1.5T, 3T, 6T) | | 1 |
| 24 | JLP300A-24 | Snap Ring (3T, 6T) | Ø9 mm | 2 |
| 25 | JLP300A-25 | Pawl (3T, 6T) | | 2 |
| 26 | JLP300A-26 | Pawl Spring (3T, 6T) | | 2 |
| 27 | JLP300A-27 | Lever Side Plate Assembly (3T, 6T) | | 1 |
| | | Lever Side Plate | | 1 |
| | | Stay Bolt | | 4 |
| | | Pawl Pin | | 2 |
| | | Bearing Race | | 1 |
| 28 | JLP300A-28 | Load Sprocket (3T, 6T) | | 1 |
| | JLP300A-28A | Load Sprocket (3T, 6T) (s/n 12043550 and higher) | | 1 |
| 29 | JLP300A-29 | Roller Set (Right and Left) (3T, 6T) | Ø5x6 mm | 60 |
| 30-1 | JLP300A-30-1 | Driving Pinion (3T, 6T) | | 1 |
| 31 | JLP300A-31 | Stripper (3T, 6T) | | 1 |
| 32 | JLP300A-32 | Chain Guide Plate (3T, 6T) | | 1 |
| 34 | JLP300A-34 | Gear Side Plate Assembly (3T, 6T) | | 1 |
| | | Gear Side Plate | | 1 |
| | | Bearing Race | | 1 |
| | | Bushing | | 2 |
| 35 | JLP300A-35 | Load Gear (3T, 6T) | | 1 |
| | JLP300A-35A | Load Gear (3T, 6T) (s/n 12043550 and higher) | | 1 |
| 36 | JLP300A-36 | Snap Ring (3T, 6T) | Ø45 mm | 1 |
| 38 | JLP300A-38 | Spur Gear Assembly (3T, 6T) | | 2 |
| 39 | JLP300A-39G | Gear Cover Assembly (3T, 6T) | | 1 |
| | | Gear Cover | | 1 |
| | | Bushing | | 2 |
| | | Gear Cover Plate | | 1 |
| 40 | JLP300A-40G | Lock Nut (3T, 6T) | M12 | 1 |

| Index No. | Part No. | Description | Size | Qty |
|-----------|---------------|---|-----------|-----|
| 41 | JLP300A-41G | Top Hook Assembly (standard hook) | | 1 |
| | JLP300A-41PHG | Top Hook Assembly (ship yard hook) | | 1 |
| | | Top Hook | | 1 |
| | | Top Hook Holder | | 2 |
| | | Safety Latch Kit | | 1 |
| 43 | JLP300A43 | Top Hook Shaft (3T, 6T) | | 1 |
| 44 | JLP300A-44 | Load Chain – <i>specify length</i> (3T, 6T) | Ø10x30 mm | 1 |
| 45 | JLP75A-45 | Chain Stop (0.75T, 1.5T, 3T, 6T) | | 1 |
| 46 | F001755 | Load Pin Nut | M10 | 1 |
| 48 | JLP300A-48 | Load Pin | | 1 |
| 49 | JLP300A-49G | Bottom Hook Assembly (standard hook) | | 1 |
| | JLP300A-49PHG | Bottom Hook Assembly (ship yard hook) | | 1 |
| | | Bottom Hook | | 1 |
| | | Bottom Hook Holder | | 2 |
| | | Safety Latch Kit | | 1 |
| | | Rivet | | 4 |
| | | Load Pin | | 1 |
| | | Load Pin Nut | M10 | 1 |
| 63 | JLP300A-63-1 | Safety Latch Kit | | 2 |
| | | Safety Latch | | 2 |
| | | Double Spring | | 2 |
| | | Socket Cap Screw | M5x30 | 2 |
| | | Lock Nut | M5 | 2 |
| 64 | JLP75A-64 | Name Plate Rivet (0.75T, 1.5T, 3T, 6T) | Ø3x6 mm | 4 |
| 65 | LM000052 | Name Plate JLP-300A | | 1 |
| 66-1 | JLP150A-66-1 | Stop Knob (1.5T, 3T, 6T) | | 1 |
| 67 | JLP75A-67 | Twisting Spring (0.75T, 1.5T, 3T, 6T) | | 1 |
| 68 | JLP150A-68 | Hand Wheel Base Assembly (1.5T, 3T, 6T) | | 1 |
| | | Hand Wheel Base | | 1 |
| | | Bushing | | 2 |
| 69 | JLP75A-69 | Rubber Grip Fastening (0.75T, 1.5T, 3T, 6T) | | 1 |
| 70 | JLP75A-70 | Fastening Screw (0.75T, 1.5T, 3T, 6T) | | 1 |
| 71 | JLP150A-71 | Snap Ring (1.5T, 3T, 6T) | | 1 |

Note: All parts mentioned as assembly are sold as an assembly only.

When ordering replacement chain (#44), specify length.

15.2.5 JLP-600A – Parts List

| Index No. | Part No. | Description | Size | Qty |
|-----------|--------------|---|---------|-----|
| 2-1 | JLP150A-02-1 | Lock Nut (1.5T, 3T, 6T) | M10 | 1 |
| 4-1 | JLP150A-04-1 | Handwheel (1.5T, 3T, 6T) | | 1 |
| | | Hand Wheel | | 1 |
| | | Steel Ball Spring | | 2 |
| | | Steel Ball | | 2 |
| 5 | JLP150A-05G | Hex Head Screw (1.5T, 3T, 6T) | M8 | 3 |
| 6 | JLP150A-06G | Spring Washer (1.5T, 3T, 6T) | Ø8 mm | 3 |
| 8-1 | JLP150A-08-1 | Rubber Grip (1.5T, 3T, 6T) | | 1 |
| 9-1 | JLP150A-09-1 | Lever Handle Assembly (1.5T, 3T, 6T) | | 1 |
| | | Lever Handle | | 1 |
| | | Selector Lever | | 1 |
| | | Change Over Shaft | | 1 |
| | | Thread Housing | | 1 |
| | | Bushing | | 1 |
| | | Spring Seat | | 1 |
| | | Rivet | | 2 |
| 11 | JLP150A-11 | Change Over Spring (1.5T, 3T, 6T) | | 1 |
| 12 | JLP150A-12 | Spring Shaft (1.5T, 3T, 6T) | | 1 |
| 13 | JLP150A-13 | Change Over Pawl (1.5T, 3T, 6T) | | 1 |
| 15 | JLP150A-15 | Change Over Gear (1.5T, 3T, 6T) | | 1 |
| 16 | JLP300A-16G | Brake Cover Assembly | | 1 |
| | | Brake Cover | | 1 |
| | | Handle Case | | 1 |
| | | Bushing | | 1 |
| | | Screw Nut | | 2 |
| 20 | JLP150A-20 | Friction Disc (1.5T, 3T, 6T) | | 2 |
| 21 | JLP150A-21 | Ratchet Disc (1.5T, 3T, 6T) | | 1 |
| 23 | JLP150A-23 | Brake Seat (1.5T, 3T, 6T) | | 1 |
| 24 | JLP300A-24 | Snap Ring (3T, 6T) | Ø9 mm | 2 |
| 25 | JLP300A-25 | Pawl (3T, 6T) | | 2 |
| 26 | JLP300A-26 | Pawl Spring (3T, 6T) | | 2 |
| 27 | JLP300A-27 | Lever Side Plate Assembly (3T, 6T) | | 1 |
| | | Lever Side Plate | | 1 |
| | | Stay Bolt | | 4 |
| | | Pawl Pin | | 2 |
| | | Bearing Race | | 1 |
| 28 | JLP300A-28 | Load Sprocket (3T, 6T) | | 1 |
| | JLP300A-28A | Load Sprocket (3T, 6T) (s/n 120615109 and higher) | | 1 |
| 29 | JLP300A-29 | Roller Set (Right and Left) (3T, 6T) | Ø5x6 mm | 60 |
| 30-1 | JLP300A-30-1 | Driving Pinion (3T, 6T) | | 1 |
| 31 | JLP300A-31 | Stripper (3T, 6T) | | 1 |
| 32 | JLP300A-32 | Chain Guide Plate (3T, 6T) | | 1 |
| 34 | JLP300A-34 | Gear Side Plate Assembly (3T, 6T) | | 1 |
| | | Gear Side Plate | | 1 |
| | | Bearing Race | | 1 |
| | | Bushing | | 2 |
| 35 | JLP300A-35 | Load Gear (3T, 6T) | | 1 |
| | JLP300A-35A | Load Gear (3T, 6T) (s/n 120615109 and higher) | | 1 |
| 36 | JLP300A-36 | Snap Ring (3T, 6T) | Ø45 mm | 1 |
| 38 | JLP300A-38 | Spur Gear Assembly (3T, 6T) | | 2 |
| 39 | JLP300A-39G | Gear Cover Assembly (3T, 6T) | | 1 |
| | | Gear Cover | | 1 |
| | | Bushing | | 2 |
| | | Gear Cover Plate | | 1 |
| 40 | JLP300A-40G | Lock Nut (3T, 6T) | M12 | 1 |

| Index No. | Part No. | Description | Size | Qty |
|-----------|--------------|---|-----------|-----|
| 41 | JLP600A-41G | Top Hook Assembly | | 1 |
| | | Top Hook | | 1 |
| | | Top Hook Holder | | 2 |
| | | Safety Latch Kit | | 1 |
| | | Bolt | | 3 |
| | | Lock Nut | | 1 |
| | | Top Hook Shaft | | 1 |
| 43 | JLP300A-43 | Top Hook Shaft (3T, 6T) | | 1 |
| 44 | JLP300A-44 | Load Chain – <i>specify length</i> (3T, 6T) | Ø10x30 mm | 1 |
| 45 | JLP75A-45 | Chain Stop (0.75T, 1.5T, 3T, 6T) | | 1 |
| 46 | F001755 | Load Pin Nut | M10 | 1 |
| 49 | JLP600A-49G | Bottom Hook Assembly | | 1 |
| | | Bottom Hook | | 1 |
| | | Bottom Hook Holder | | 2 |
| | | Safety Latch Kit | | 1 |
| | | Bolt A | M10x45 | 2 |
| | | Bolt B | M8x45 | 1 |
| | | Idle Shaft | | 1 |
| | | Idle Sheave | | 1 |
| | | Lock Nut A | M10 | 2 |
| | | Lock Nut B | M8 | 1 |
| 51 | JLP600A-51 | Top Hook Load Pin | | 1 |
| 52 | JLP600A-52-1 | Bolt | M10x30 | 3 |
| 54 | F001755 | Lock Nut | M10 | 3 |
| 55 | JLP600A-55G | Bolt A | M10x30 | 2 |
| 56 | JLP600A-56G | Bolt B | M8x25 | 1 |
| 57 | JLP600A-57 | Idle Shaft | | 1 |
| 58 | JLP600A-58 | Idle Sheave | | 1 |
| 60 | F001755 | Lock Nut | M10 | 2 |
| 62 | F001754 | Lock Nut | M8 | 1 |
| 63-1 | JLP600A-63-1 | Safety Latch Kit | | 2 |
| | | Safety Latch | | 2 |
| | | Double Spring | | 2 |
| | | Socket Cap Screw | M5x35 | 2 |
| | | Lock Nut | M5 | 2 |
| 64 | JLP75A-64 | Name Plate Rivet (0.75T, 1.5T, 3T, 6T) | Ø3x6 mm | 4 |
| 65 | LM000053 | Name Plate JLP-600A | | 1 |
| 66-1 | JLP150A-66-1 | Stop Knob (1.5T, 3T, 6T) | | 1 |
| 67 | JLP75A-67 | Twisting Spring (0.75T, 1.5T, 3T, 6T) | | 1 |
| 68 | JLP150A-68 | Hand Wheel Base Assembly (1.5T, 3T, 6T) | | 1 |
| | | Hand Wheel Base | | 1 |
| | | Bushing | | 2 |
| 69 | JLP75A-69 | Rubber Grip Fastening (0.75T,1.5T,3T,6T) | | 1 |
| 70 | JLP75A-70 | Fastening Screw (0.75T,1.5T,3T,6T) | | 1 |
| 71 | JLP150A-71 | Snap Ring (1.5T, 3T, 6T) | | 1 |

Note: All parts mentioned as assembly are sold as an assembly only.

When ordering replacement chain (#44), specify length.

16.0 Warranty and Service

JET warrants every product it sells against manufacturers' defects. If one of our tools needs service or repair, please contact Technical Service by calling 1-800-274-6846, 8AM to 5PM CST, Monday through Friday.

Warranty Period

The general warranty lasts for the time period specified in the literature included with your product or on the official JET branded website.

- JET products carry a limited warranty which varies in duration based upon the product. (See chart below)
- Accessories carry a limited warranty of one year from the date of receipt.
- Consumable items are defined as expendable parts or accessories expected to become inoperable within a reasonable amount of use and are covered by a 90 day limited warranty against manufacturer's defects.

Who is Covered

This warranty covers only the initial purchaser of the product from the date of delivery.

What is Covered

This warranty covers any defects in workmanship or materials subject to the limitations stated below. This warranty does not cover failures due directly or indirectly to misuse, abuse, negligence or accidents, normal wear-and-tear, improper repair, alterations or lack of maintenance. JET woodworking machinery is designed to be used with Wood. Use of these machines in the processing of metal, plastics, or other materials may void the warranty. The exceptions are acrylics and other natural items that are made specifically for wood turning.

Warranty Limitations

Woodworking products with a Five Year Warranty that are used for commercial or industrial purposes default to a Two Year Warranty. Please contact Technical Service at 1-800-274-6846 for further clarification.

How to Get Technical Support

Please contact Technical Service by calling 1-800-274-6846. **Please note that you will be asked to provide proof of initial purchase when calling.** If a product requires further inspection, the Technical Service representative will explain and assist with any additional action needed. JET has Authorized Service Centers located throughout the United States. For the name of an Authorized Service Center in your area call 1-800-274-6846 or use the Service Center Locator on the JET website.

More Information

JET is constantly adding new products. For complete, up-to-date product information, check with your local distributor or visit the JET website.

How State Law Applies

This warranty gives you specific legal rights, subject to applicable state law.

Limitations on This Warranty

JET LIMITS ALL IMPLIED WARRANTIES TO THE PERIOD OF THE LIMITED WARRANTY FOR EACH PRODUCT. EXCEPT AS STATED HEREIN, ANY IMPLIED WARRANTIES OF MERCHANTABILITY AND FITNESS FOR A PARTICULAR PURPOSE ARE EXCLUDED. SOME STATES DO NOT ALLOW LIMITATIONS ON HOW LONG AN IMPLIED WARRANTY LASTS, SO THE ABOVE LIMITATION MAY NOT APPLY TO YOU.

JET SHALL IN NO EVENT BE LIABLE FOR DEATH, INJURIES TO PERSONS OR PROPERTY, OR FOR INCIDENTAL, CONTINGENT, SPECIAL, OR CONSEQUENTIAL DAMAGES ARISING FROM THE USE OF OUR PRODUCTS. SOME STATES DO NOT ALLOW THE EXCLUSION OR LIMITATION OF INCIDENTAL OR CONSEQUENTIAL DAMAGES, SO THE ABOVE LIMITATION OR EXCLUSION MAY NOT APPLY TO YOU.

JET sells through distributors only. The specifications listed in JET printed materials and on official JET website are given as general information and are not binding. JET reserves the right to effect at any time, without prior notice, those alterations to parts, fittings, and accessory equipment which they may deem necessary for any reason whatsoever. JET® branded products are not sold in Canada by JPW Industries, Inc.

Product Listing with Warranty Period

| |
|--|
| 90 Days – Parts; Consumable items |
| 1 Year – Motors; Machine Accessories |
| 2 Year – Metalworking Machinery; Electric Hoists, Electric Hoist Accessories; Woodworking Machinery used for industrial or commercial purposes |
| 5 Year – Woodworking Machinery |
| Limited Lifetime – JET Parallel clamps; VOLT Series Electric Hoists; Manual Hoists; Manual Hoist Accessories; Shop Tools; Warehouse & Dock products; Hand Tools; Air Tools |

NOTE: JET is a division of JPW Industries, Inc. References in this document to JET also apply to JPW Industries, Inc., or any of its successors in interest to the JET brand.



427 New Sanford Road
LaVergne, Tennessee 37086
Phone: 800-274-6848
www.jettools.com