

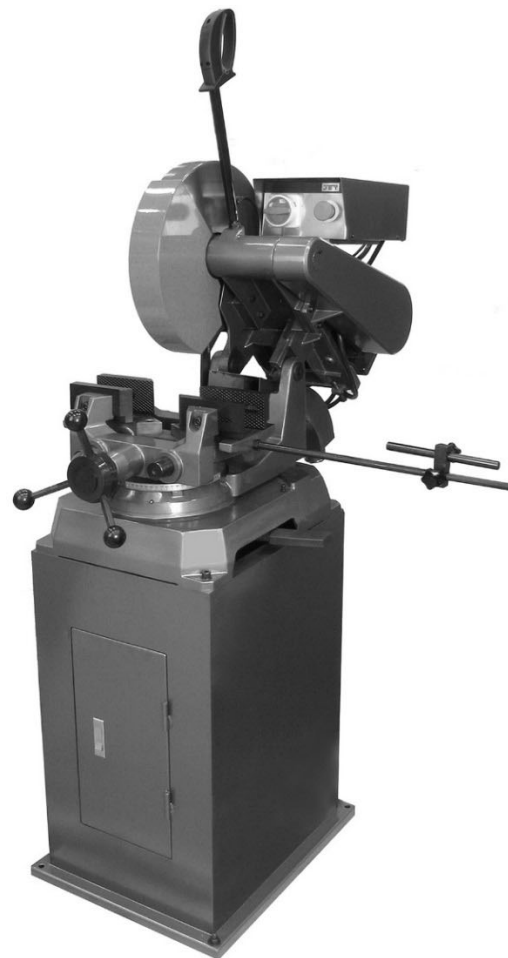


Operating Instructions and Parts Manual 12" and 14" Abrasive Cut-off Saws

Models AB-12, AB-14



AB-12



AB-14

JET
427 New Sanford Road
LaVergne, Tennessee 37086
Ph.: 800-274-6848
www.jettools.com

Part No. M-414240
Edition 3 06/2019
Copyright © 2016 JET



1.0 IMPORTANT SAFETY INSTRUCTIONS

WARNING – To reduce risk of injury:

1. Read and understand the entire owner's manual before attempting assembly or operation.
2. Read and understand the warnings posted on the machine and in this manual. Failure to comply with all of these warnings may cause serious injury.
3. Replace the warning labels if they become obscured or removed.
4. This abrasive saw is designed and intended for use by properly trained and experienced personnel only. If you are not familiar with the proper and safe operation of an abrasive saw, do not use until proper training and knowledge have been obtained.
5. Do not use this abrasive saw for other than its intended use. If used for other purposes, JET disclaims any real or implied warranty and holds itself harmless from any injury that may result from that use.
6. Always wear protective eye wear when operating machinery. Eye wear shall be impact resistant, protective safety glasses with side shields which comply with ANSI Z87.1 specifications. Use of eye wear which does not comply with ANSI Z87.1 specifications could result in severe injury from breakage of eye protection.
7. Before operating this saw, remove tie, rings, watches and other jewelry, and roll sleeves up past the elbows. Do not wear loose clothing. Confine long hair. Non-slip footwear or anti-skid floor strips are recommended.
8. Wear ear protectors (plugs or muffs) during extended periods of operation.
9. Do not operate this machine while tired or under the influence of drugs, alcohol or any medication.
10. Make certain the switch is in the **OFF** position before connecting the machine to the power supply.
11. Make certain the machine is properly grounded.
12. Make all machine adjustments or maintenance with the machine unplugged from the power source.
13. Remove adjusting keys and wrenches. Form a habit of checking to see that keys and adjusting wrenches are removed from the machine before turning it on.
14. Keep safety guards in place at all times when the machine is in use. If removed for maintenance purposes, use extreme caution and replace the guards immediately after maintenance is complete.
15. Make sure the abrasive saw is firmly positioned on a secure foundation.
16. Check damaged parts. Before further use of the machine, a guard or other part that is damaged should be carefully checked to determine that it will operate properly and perform its intended function. Check for alignment of moving parts, binding of moving parts, breakage of parts, mounting and any other conditions that may affect its operation. A guard or other part that is damaged should be properly repaired or replaced.
17. Provide for adequate space surrounding work area and non-glare, overhead lighting.
18. Keep the floor around the machine clean and free of scrap material, oil and grease.
19. Keep visitors a safe distance from the work area. **Keep children away.**
20. Make your workshop child proof with padlocks, master switches or by removing starter keys.
21. Give your work undivided attention. Looking around, carrying on a conversation and "horse-play" are careless acts that can result in serious injury.
22. Maintain a balanced stance at all times so that you do not fall or lean against the blade or other moving parts. Do not overreach or use excessive force to perform any machine operation.
23. Use the right tool at the correct speed and feed rate. Do not force a tool or attachment to do a job for which it was not designed. The right tool will do the job better and more safely.
24. Only use an abrasive disc that is suited to the work being done.
25. Do not make a cut which exceeds the capacities of the abrasive saw as shown in the specifications section of this manual.
26. Use recommended accessories; improper accessories may be hazardous.
27. Maintain tools with care. Keep blades sharp and clean for the best and safest performance. Follow instructions for lubricating and changing accessories.

28. Make sure the work piece is securely clamped to the table. Never use your hand to hold the work piece.
29. Make sure blade is not contacting workpiece when machine is started.
30. Turn off the machine and disconnect from power before cleaning. Use a cloth or brush to remove chips or debris — do not use bare hands.
31. Do not stand on the machine. Serious injury could occur if the machine tips over.
32. Never leave the machine running unattended. Turn the power off and do not leave the machine until it comes to a complete stop.
33. Remove loose items and unnecessary work pieces from the area before starting the machine.
34. For circuits which are far away from the electrical service box, the wire size must be increased in order to deliver ample voltage to the motor. To minimize power losses and to prevent motor overheating and burnout, the use of wire sizes for branch circuits or electrical extension cords according to Table 1 (sect. 6.3) is recommended.

⚠ WARNING: This product can expose you to chemicals including lead which is known to the State of California to cause cancer and birth defects or other reproductive harm. For more information go to <http://www.p65warnings.ca.gov>.

⚠ WARNING: Some dust, fumes and gases created by power sanding, sawing, grinding, drilling, welding and other construction activities contain chemicals known to the State of California to cause cancer and birth defects or other reproductive harm. Some examples of these chemicals are:

- lead from lead based paint
- crystalline silica from bricks, cement and other masonry products
- arsenic and chromium from chemically treated lumber

Your risk of exposure varies, depending on how often you do this type of work. To reduce your exposure to these chemicals, work in a well-ventilated area and work with approved safety equipment, such as dust masks that are specifically designed to filter out microscopic particles. For more information go to <http://www.p65warnings.ca.gov/> and <http://www.p65warnings.ca.gov/wood>.

SAVE THESE INSTRUCTIONS

Familiarize yourself with the following safety notices used in this manual:

⚠ CAUTION This means that if precautions are not heeded, it may result in minor injury and/or possible machine damage.

⚠ WARNING This means that if precautions are not heeded, it may result in serious, or possibly even fatal, injury.

2.0 Table of contents


Section	Page
1.0 IMPORTANT SAFETY INSTRUCTIONS	2
2.0 Table of contents	4
3.0 About this manual	5
4.0 Specifications for Abrasive Saws	6
5.0 Setup and assembly	8
5.1 Shipping contents	8
5.2 Tools required for assembly	8
5.3 Unpacking and cleanup	8
5.4 Location	8
5.5 Operating handle	8
5.6 Material stop	8
6.0 Electrical connections	8
6.1 GROUNDING INSTRUCTIONS	8
6.2 Extension cords	9
6.3 Conversion to 460V	9
7.0 Adjustments	9
7.1 Miter adjustment	9
7.2 Vise action	10
7.3 Depth of cut adjustment	10
7.4 Blade replacement	10
7.5 Belt tension and replacement	10
8.0 Controls	10
9.0 Operation	10
10.0 User-maintenance	11
10.1 Maintenance requirements	11
10.2 Periodic maintenance	11
10.3 Additional servicing	11
11.0 Troubleshooting AB-12/14 Abrasive Saws	12
11.1 Machine fault and operating problems	12
11.2 Blade and cutting problems	13
12.0 Replacement Parts	13
12.1.1 AB-12 Abrasive Saw – Exploded View	14
12.1.2 AB-12 Abrasive Saw – Parts List	15
12.2.1 AB-14 Abrasive Saw – Exploded View	18
12.2.2 AB-14 Abrasive Saw – Parts List	19
13.0 Electrical Connections for AB-12,AB-14	22
14.0 Warranty and service	23

3.0 About this manual

This manual is provided by JET, covering the safe operation and maintenance procedures for a JET Model AB-12 and AB-14 Abrasive Saw. This manual contains instructions on installation, safety precautions, general operating procedures, maintenance instructions and parts breakdown. Your machine has been designed and constructed to provide consistent, long-term operation if used in accordance with the instructions as set forth in this document.

If there are questions or comments, please contact your local supplier or JET. JET can also be reached at our web site: www.jettools.com.

Retain this manual for future reference. If the machine transfers ownership, the manual should accompany it.

 WARNING Read and understand the entire contents of this manual before attempting assembly or operation! Failure to comply may cause serious injury!

Register your product using the mail-in card provided, or register online: <http://www.jettools.com/us/en/service-and-support/warranty/registration/>

4.0 Specifications for Abrasive Saws

Table 1

Model number	AB-12		AB-14	
Stock number	414240		414245	
Motor and Electricals				
Motor type	TEFC induction			
Horsepower	5 HP (4 kW)			
Phase	3			
Voltage	230/460V (prewired 230V) ³			
Cycle	60 Hz			
Listed FLA (full load amps)	14 / 7			
Starting amps	42 / 22			
Running amps (no load)	3.36 / 1.18			
Motor speed	3450 RPM			
Power cord	ST 4x12AWG 600V, 6 ft.			
Power plug installed	n/a			
Power transfer	Pulley and belts			
Pulley ratio	1:1.17			
Recommended circuit size ¹	20 A (230V); 15 A (460V)			
Sound emission without load ²	80 dB at 39 in. (1m) from machine			
Cutting capacities				
Round	90 deg.	3.9 in. (99 mm)		4.7 in. (120 mm)
	45 deg.	3.5 in. (89 mm)		4.1 in. (104 mm)
Rectangle	90 deg.	2.7 x 4.7 in. (69 x 120 mm)		3.1 x 4.7 in. (79 x 120 mm)
	45 deg.	2.7 x 3.5 in. (69 x 89 mm)		3.5 x 3.9 in. (89 x 99 mm)
Square	90 deg.	3.5 x 3.5 in. (89 x 89 mm)		4.1 x 4.1 in. (104 x 104 mm)
	45 deg.	3.1 x 3.1 in. (79 x 79 mm)		3.5 x 3.5 in. (89 x 89 mm)
Blade (Abrasive disc)				
Blade diameter	11.8 in. (300 mm)		13.8 in. (350 mm)	
Blade thickness	3 mm			
Blade speed	4200 RPM			
Spindle diameter	1 in. (25.4 mm)			
Vise and mitering				
Vise type	Adjustable jaw, self-centering with cam locking handle		Double jaw, self-centering	
Maximum vise opening	7.5 in. (191 mm)		5.7 in. (145 mm)	
Miter angle range	90 degrees			
Miter positive stops	n/a		+45, -45, 90 deg.	
Main materials				
Blade (Abrasive disc)	Aluminum, fiber resin, steel			
Cabinet	steel			
Pulleys	Cast iron			
Dimensions				
Vise platform height from floor	38 in. (965 mm)			
Cabinet footprint	19 x 22 in. (482.6 x 559 mm)			
Overall assembled (LxWxH)	57 x 23.6 x 69.7 in. (1450 x 600 x 1770 mm)		43.3 x 20.9 x 71.3 in. (1100 x 530 x 1810 mm)	
Shipping dimensions (LxWxH)	44.5 x 25 x 61 in. 1130 x 640 x 1550 mm)		44.5 x 25 x 70 in. (1130 x 640 x 1700 mm)	
Weights				
Net weight	315 lb. (143kg)		396 lb. (180 kg)	
Shipping weight	478 lb. (217 kg)		563 lb. (256 kg)	

¹ subject to local and national electrical codes.

² The specified values are emission levels and are not necessarily to be seen as safe operating levels. As workplace conditions vary, this information is intended to allow the user to make a better estimation of the hazards and risks involved only.

³ 460 volt operation requires separate purchase and installation of 460V thermal relay (part no. AB12-93-460).

L = length, W = width, H = height

n/a = not applicable

The specifications in this manual were current at time of publication, but because of our policy of continuous improvement, JET reserves the right to change specifications at any time and without prior notice, without incurring obligations.

⚠WARNING Read and understand all assembly instructions before attempting assembly. Failure to comply may cause serious injury.

5.0 Setup and assembly

5.1 Shipping contents

Carton contents

- 1 Abrasive saw
- 1 Material stop assembly
- 1 Open-end wrench, 32/36mm
- 1 Hex wrench, 8mm
- 1 Operator's manual
- 1 Product registration card

5.2 Tools required for assembly

- 8mm hex wrench (provided)
- 21 and 24mm (or adjustable) wrench

5.3 Unpacking and cleanup

1. Inspect contents for shipping damage. Report damage, if any, to your distributor. Do not discard shipping materials until saw is installed and running properly.
2. Compare contents of shipping carton with the contents list in this manual. Report shortages, if any, to your distributor.

5.4 Location

Locate the machine on a solid, level floor, preferably concrete. Area should have good overhead lighting and ventilation, with enough room for loading and offloading of stock and general maintenance. Secure machine to floor using lag screws (not provided) or similar means through the provided holes in base.

5.5 Operating handle

Refer to Figure 5-1.

1. Install operating handle (A) into threaded hole. Rotate it a good distance into hole, and make sure final orientation of handle grip is in comfortable position for operator.
2. Secure operating handle by tightening hex nut (B) against saw head.

5.6 Material stop

Refer to Figure 5-1.

Screw lower rod (D) into threaded hole in base and tighten hex nut (C) against base.

Install stop block with knobs (E) and upper rod as shown.

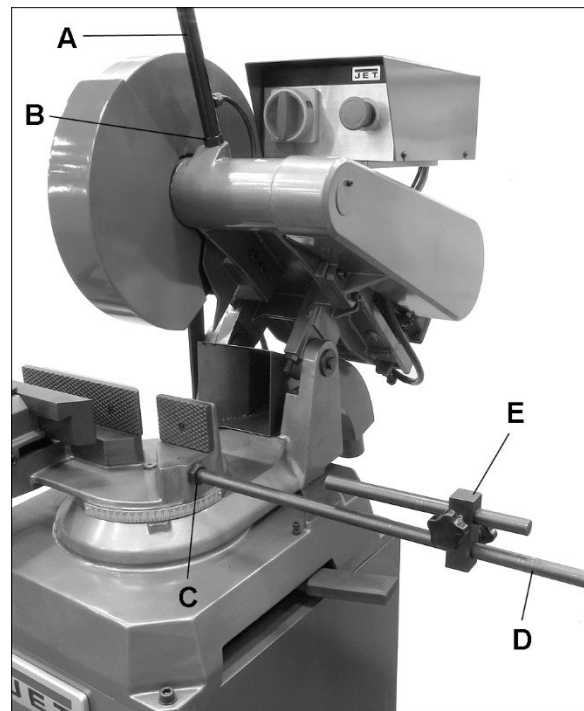


Figure 5-1 (AB-12 shown)

6.0 Electrical connections

⚠WARNING Electrical connections must be made by a qualified electrician in compliance with all relevant codes. This machine must be properly grounded to help prevent electrical shock and possible fatal injury.

The AB-12 and AB-14 Abrasive Saws are rated for 3-phase, 230/460-volt power, prewired 230V. They are not supplied with a plug. You may either install a proper 230V UL/CSA listed plug, or "hardwire" the machine directly to a service panel. To convert to 460-volt, see sect. 6.3.

Before connecting to power source, be sure switch is in *off* position.

It is recommended that the saw, *when used with 230V power*, be connected to a dedicated 20 amp circuit with circuit breaker or time-delay fuse marked "D". *When used with 460V power*, connect the AB-14 to a dedicated 15 amp circuit with circuit breaker or time-delay fuse marked "D".

NOTE: Local codes take precedence over recommendations.

6.1 GROUNDING INSTRUCTIONS

This machine must be grounded. In the event of a malfunction or breakdown, grounding provides a path of least resistance for electric current to reduce the risk of electric shock.

If used with a plug:

Grounded, cord-connected tools intended for use on a supply circuit having a nominal rating between 150-250 V inclusive:

This tool is intended for use on a three-phase circuit. Make sure the tool is connected to an outlet having the same configuration as the plug (not provided). No adapter is available or should be used with this tool. If the tool must be reconnected for use on a different type of electric circuit, the reconnection should be made by qualified service personnel; and after reconnection, the tool should comply with all local codes and ordinances.

If hardwired:

Permanently connected tools: This tool should be connected to a grounded metal permanent wiring system; or to a system having an equipment-grounding conductor.

⚠WARNING Improper connection of the equipment-grounding conductor can result in a risk of electric shock. Check with a qualified electrician or service person if you are in doubt as to whether the outlet is properly grounded.

The conductor with insulation having an outer surface that is green with or without yellow stripes is the equipment-grounding conductor. If repair or replacement of the electric cord or plug is necessary, do not connect the equipment-grounding conductor to a live terminal.

After wiring, make sure that the blade rotates in the proper direction. If it does not, reverse two of the 3-phase wires on the supply input.

6.2 Extension cords

The use of extension cords is discouraged; try to position machines near the power source. If an extension cord is necessary, make sure it is in good condition. When using an extension cord, be sure to use one heavy enough to carry the current your product will draw. An undersized cord will cause a drop in line voltage resulting in loss of power and overheating.

Table 2 shows correct size to use depending on cord length and nameplate ampere rating. If in doubt, use the next heavier gauge. The smaller the gauge number, the heavier the cord.

Ampere Rating		Volts	Total length of cord in feet			
More Than	Not More Than		50	100	200	300
		240	AWG			
0	6		18	16	16	14
6	10		18	16	14	12
10	12		16	16	14	12
12	16		14	12	Not Recommended	

Table 2: Extension cord recommendations

6.3 Conversion to 460V

The Abrasive Saw is prewired for 230 volt. To change incoming leads for 460 volt operation:

1. Open main motor junction box cover, and change leads based on wiring diagram inside cover. Reinstall cover.
2. Open electrical box and reconnect wire on transformer from 230V terminal to 460V terminal.
3. Replace 230V thermal relay with 460V thermal relay (separate purchase, part no. AB12-93-460).
4. If using an electrical plug, replace current plug with a UL/CSA listed plug rated for 460 volt operation.

7.0 Adjustments

7.1 Miter adjustment

Refer to Figure 7-1.

The table has a rotational range of 90-degrees. To adjust miter position, proceed as follows:

1. Move lock lever (F, Figure 7-1) toward the front to release.

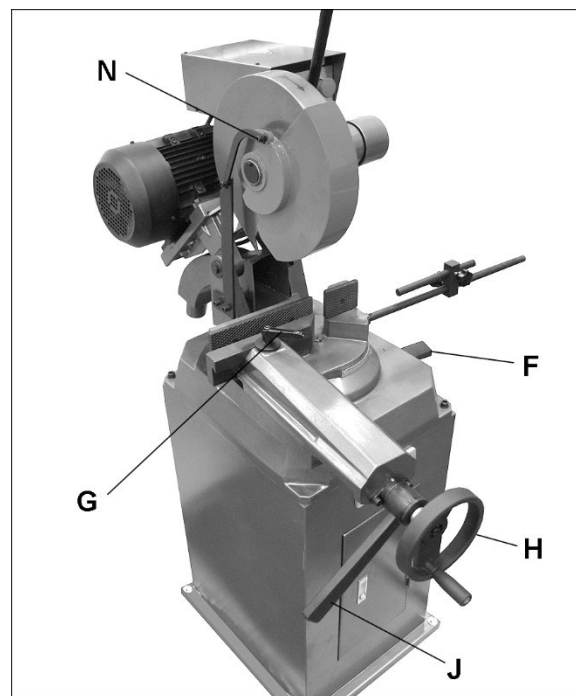


Figure 7-1 (AB-12 shown)

2. Push vise/table unit to desired angle, as shown on scale. (On the AB-14 pull the stop knob out to rotate vise unit. The knob will engage at +/- 45 and 90 degrees.)
3. Loosen handle (G) atop vise, and slide jaw as needed to accommodate blade angle. Position vise jaw as close as possible to blade. Retighten handle securely.

4. When desired cutting angle is set, firmly move lock lever rearward to secure setting.

7.2 Vise action

7.2.1 AB-12 vise

The AB-12 vise is self-centering and has a cam action lever for fast clamping. Turn handwheel (H, Figure 7-1) to move vise jaw about 1/16-inch away from work piece, then rotate cam lever (J) counterclockwise to tighten.

7.2.2 AB-14 vise

The AB-14 vise is self-centering, with double vise jaws driven by a lead screw. Clamp work piece by rotating vise handle.

7.3 Depth of cut adjustment

See Figure 7-2.

The *front* stop screw (K, Figure 7-2) limits blade depth of cut. The *rear* stop screw (L) limits return motion of head. These stops have been set by the manufacturer. If future adjustment is needed:

To adjust depth of cut:

1. Disconnect machine from power source.
2. Loosen hex nut on stop screw, and lower head all the way for front stop adjustment.
3. Turn screw with wrench until blade bottoms out at desired level.
4. Tighten hex nut.

Raise head all the way for rear stop adjustment, using similar procedure as above.

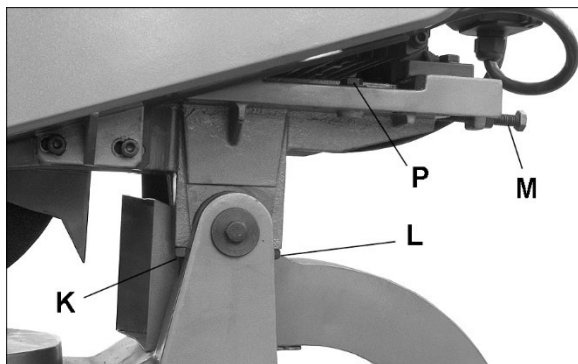


Figure 7-2

7.4 Blade replacement

⚠WARNING Disconnect machine from power source before changing saw blades. Failure to comply may result in serious injury!

1. Disconnect machine from power source.
2. Place saw head in fully raised position.

3. Remove screw (N, Figure 7-1) to release linkage from blade guard, and rotate guard out of the way.
4. Grasp blade with a *gloved* hand, and loosen hex nut on spindle with provided wrench. NOTE: Left-hand threads – turn clockwise to loosen.
5. Remove nut, outer flange and blade. Clean spindle and flange.
6. Install new blade, making sure that blade is flat against inner flange, and orientation matches any directional arrow printed on blade.
7. Tighten nut securely (counterclockwise), and reconnect guard linkage.

7.5 Belt tension and replacement

To replace the belts:

1. Remove belt cover.
2. Slightly loosen two screws (P, Figure 7-2) and slide motor forward to de-tension belts.
3. Replace both belts as a set.
4. Slide motor back and tighten screws (P).
5. Belt tension can be adjusted by loosening hex nut on tension screw (M, Figure 7-2) and turning tension screw which moves the motor mount slide plate.
6. Lock tension screw setting by tightening hex nut against casting.
7. Reinstall belt cover.

8.0 Controls

Main switch (on control box) – Turns power on and off.

Emergency Stop (on control box) – Press to shut down machine. To restart machine, rotate button clockwise to disengage E-stop.

Trigger (on operating handle) – When pressed, it activates micro-switch to start blade rotation.

9.0 Operation

1. Before using machine, check that safety devices (e.g. blade guards) are in position and work correctly and that personal safety requirements are complied with.
2. Position work piece and close vise securely. NOTE: Use supports, such as roller stands, for long work pieces.
3. If mitering, adjust table accordingly and lock it in position. If making a mitered cut, verify that blade will not contact vise jaws; adjust if needed.

4. If cutting multiple pieces to identical length, adjust material stop and tighten in position.
5. Turn on main switch.
6. Start blade by pressing trigger on handle grip.
7. Pull down operating lever to bring blade into work piece. You will manually control speed of downstroke. Do not exert excessive pressure, or damage to blade may result.
8. When cut is complete, release trigger and raise head.

10.0 User-maintenance

10.1 Maintenance requirements

⚠WARNING All maintenance and cleaning procedures must be performed with the *power switched OFF*. Failure to comply may result in serious injury!

On completion of maintenance, ensure that replaced parts and/or any tools used have been removed from machine before starting it.

10.2 Periodic maintenance

- ❑ Remove all swarf from machine, preferably with a cloth or brush. Do not use bare hands.
- ❑ Check blade wear and replace if necessary.
- ❑ Clear chips away from vise/table area.
- ❑ Clean vise and lubricate all joints and sliding surfaces, using good quality oil. An oil fitting is located atop the AB-12 vise near the cam lever.
- ❑ Grease vise leadscrew as needed.
- ❑ Keep a light coat of oil on machined parts to inhibit rust.
- ❑ Inspect power cord. Repair or replace a damaged or worn cord immediately.

10.3 Additional servicing

Any additional servicing should be performed by authorized service personnel.

11.0 Troubleshooting AB-12/14 Abrasive Saws

11.1 Machine fault and operating problems

Symptom	Possible Cause	Correction*
Motor will not turn	Low voltage.	Check power line for proper voltage.
	Open circuit in motor or loose connection.	Inspect all lead connections on motor for loose or open connections.
	Emergency Stop engaged	Rotate Emergency Stop button to disengage.
	Electrical power supply	Check: the phases; the cables; the plug; the socket. Also check that the motor connections are in place.
	Trigger switch not activating	Check that socket/plug connection from handle to motor is inserted correctly; check micro-switch in trigger.
	Transformer	Check that the voltages are present both on the input and output. Otherwise replace.
	Magnetic Contactor	Check that the phases in it are present both on the input and output, that it is not jammed, that it closes when powered and that it is not causing short circuits. Change if any of these problems are found.
	Thermal relay	Make sure it is closed, i.e. check that the phases are present in input and output, that it is not causing short circuits and responds when the reset coil is closed. If it has tripped to protect the motor, check the amperage setting, re-set, and check the motor. Change if necessary.
	Motor	Check that it has not burned out, that it turns freely and that there is no moisture in the connection terminal board box. The winding can be rewound or replaced by experienced motor repair personnel.
Motor will not start: fuses or circuit breakers blow	Short circuit in line cord or plug.	Inspect cord or plug for damaged insulation and shorted wires.
	Short circuit in motor or loose connections.	Inspect all connections on motor for loose or shorted terminals or worn insulation.
	Incorrect fuses or circuit breakers in power line.	Install correct fuses or circuit breakers.
Motor overheats	Motor overloaded.	Reduce load on motor.
	Air circulation through motor restricted.	Clean motor fan with compressed air to restore normal air circulation.
Motor stalls, resulting in blown fuses or tripped circuit	Motor overloaded.	Reduce load on motor.
	Short circuit in motor or loose connections.	Inspect connections on motor for loose or shorted terminals or worn insulation.
	Low voltage.	Correct the low voltage conditions.
	Incorrect fuses or circuit breakers in power line.	Install correct fuses or circuit breakers.
Machine slows when operating	Applying too much pressure.	Feed blade into workpiece more slowly.
	Belt loose.	Tighten belt.
Loud, repetitive noise coming from machine	Floor uneven.	Shim beneath stand to make level.
	Pulley setscrews or keys are missing or loose.	Inspect keys and setscrews. Replace or tighten if necessary.
	Motor fan is hitting the cover.	Tighten fan or shim cover.
	V-belt is defective.	Replace V-belt.

Table 3

*Warning: Some corrections may require a qualified electrician.

11.2 Blade and cutting problems

Symptom	Possible Cause	Correction
Rapid blade wear	Feed speed too slow	The blade runs over the material without removing it: Increase pressure of blade into workpiece.
Broken blade	Feed speed too high	Reduce pressure of blade into workpiece.
	Blade in contact with material before starting the cut	Make sure blade is clear of workpiece before starting machine.
Cuts not straight	Feed speed too strong	Reduce feed speed.
	Blade not perpendicular to workpiece.	Contact JET technical support.

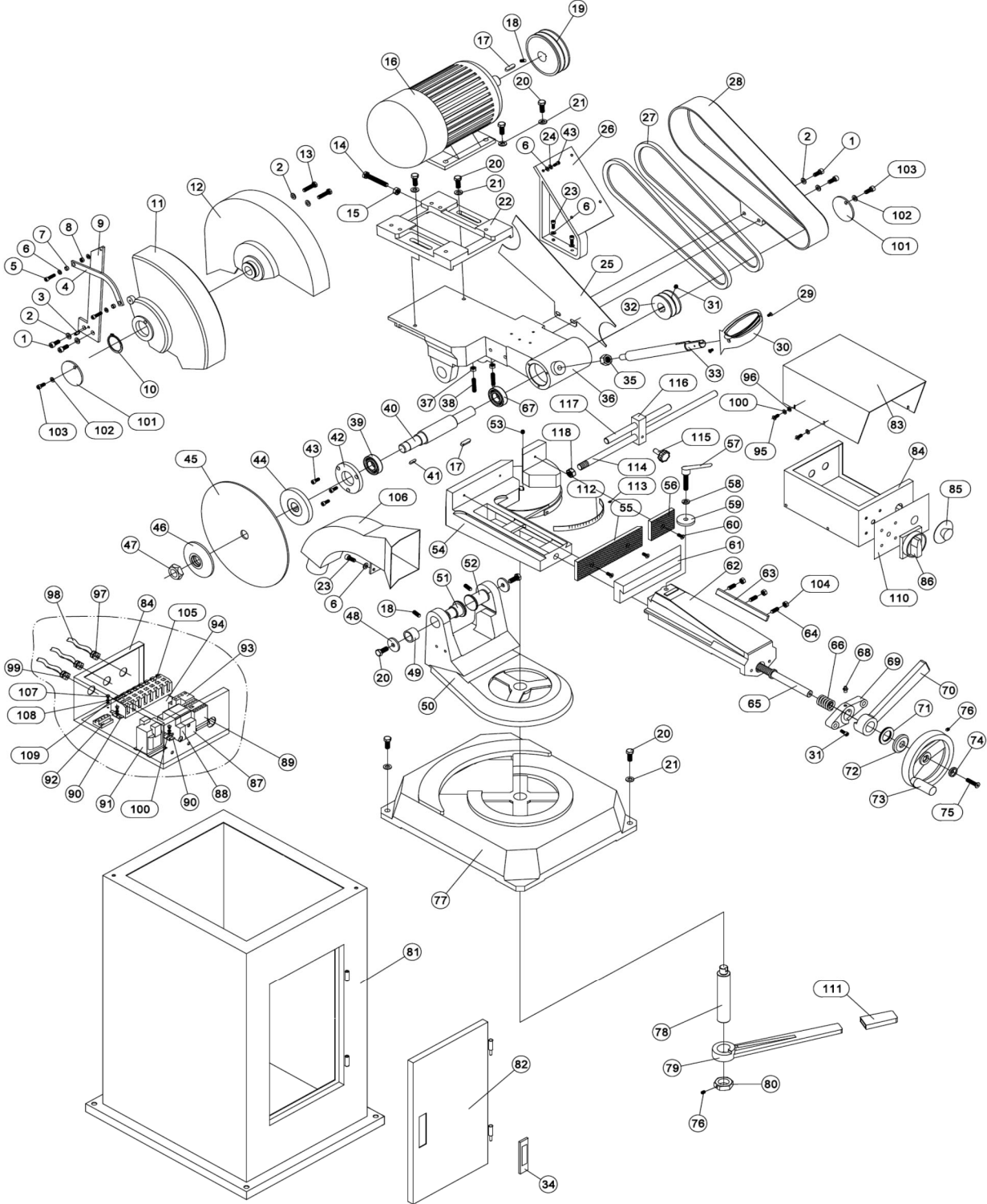
Table 4

12.0 Replacement Parts

Replacement parts are listed on the following pages. To order parts or reach our service department, call 1-800-274-6848 Monday through Friday, 8:00 a.m. to 5:00 p.m. CST. Having the Model Number and Serial Number of your machine available when you call will allow us to serve you quickly and accurately.

Non-proprietary parts, such as fasteners, can be found at local hardware stores, or may be ordered from JET. Some parts are shown for reference only, and may not be available individually.

12.1.1 AB-12 Abrasive Saw – Exploded View



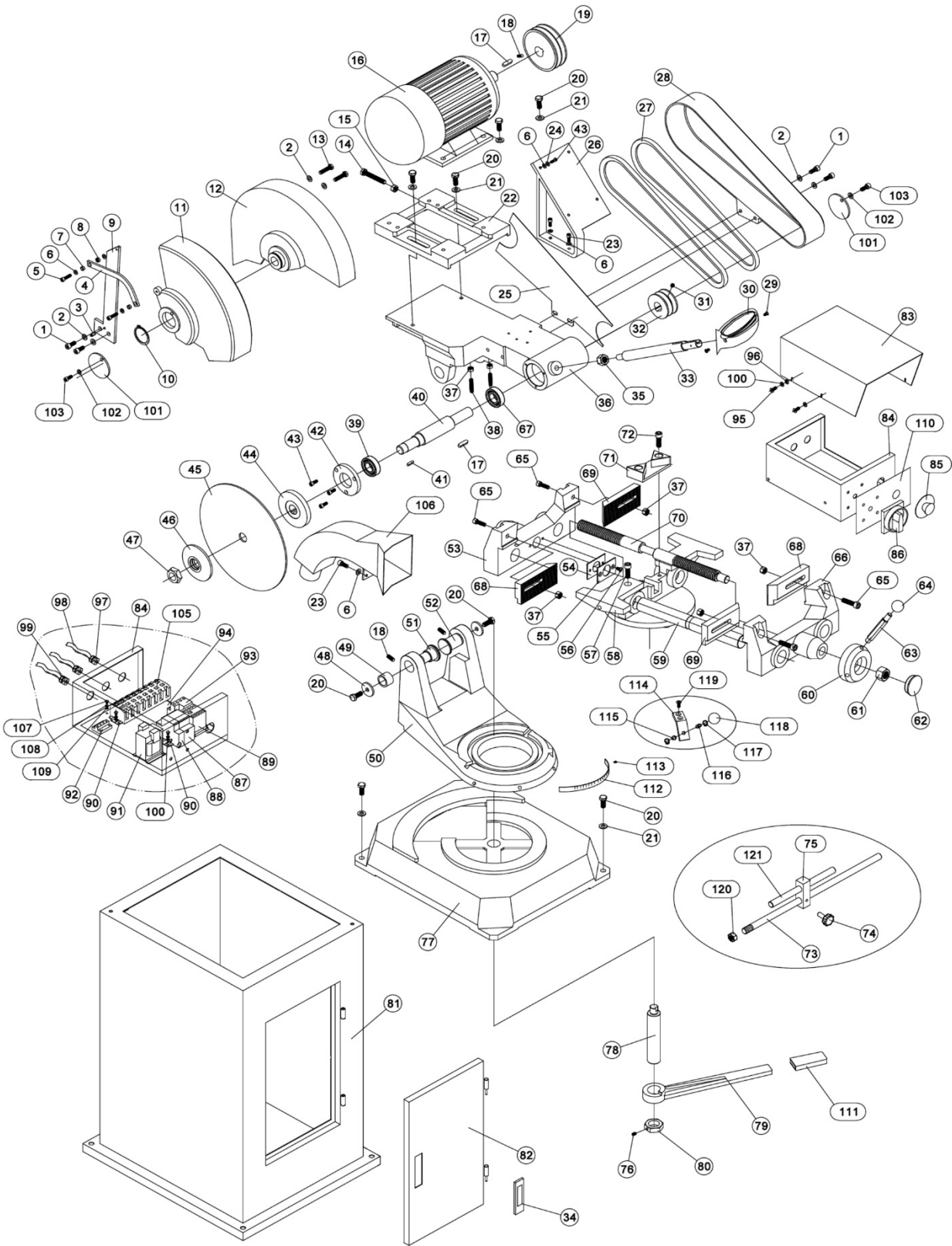
12.1.2 AB-12 Abrasive Saw – Parts List

Index No	Part No	Description	Size	Qty
1	TS-1504041	Socket Head Cap Screw	M8x20	4
2	TS-1550061	Flat Washer	8mm	6
3	AB12-03	Spring Pin	6x12mm	1
4	AB12-04	Pull Rod		1
5	TS-1503061	Socket Head Cap Screw	M6x25	2
6	TS-1550041	Flat Washer	6mm	12
7	AB12-07	Ring		2
8	TS-2311061	Hex Nut	M6	1
9	AB12-09	Plate		1
10	F006056	Ext. Retaining Ring	45 mm	1
11	AB12-11	Blade Guard A		1
12	AB12-12	Blade Guard B		1
13	TS-1490061	Hex Cap Screw	M8x35	2
14	TS-1491121	Hex Cap Screw	M10x70	1
15	TS-2311101	Hex Nut	M10	1
16	AB12-16-230	Motor (for s/n 16110001~16110009)	5HP 230V 3PH	1
	AB12-16-230/460	Motor (for s/n 16110010 and higher)	5HP 230/460 3PH	1
	AB12-16-1	Motor Fan Cover (not shown)		1
	AB12-16-2	Motor Fan (not shown)		1
	AB12-16-3	Junction Box (not shown)		1
	AB12-16-4	Junction Box Cover (not shown)		1
17	EPR1460-89-2	Key, Double Rd Hd	8x8x30mm	2
18	TS-1524031	Socket Set Screw	M8x12	3
19	AB12-19	Motor Pulley		1
20	TS-1491031	Hex Cap Screw	M10x25	10
21	TS-1550071	Flat Washer	10mm	8
22	AB12-22	Motor Base		1
23	TS-1503031	Socket Head Cap Screw	M6x12	2
24	TS-2361061	Lock Washer	6mm	4
25	AB12-25	Baffle		1
26	AB12-26	Electrical Box Mount		1
27	VB-A940	Belt	A940	2
28	AB12-28	Belt guard		1
29	TS-1533032	Machine Screw, Pan Head	M5x10	2
30	AB12-30	Switch Handle		1
31	TS-1524051	Socket Set Screw	M8x20	3
32	AB12-32	Spindle Pulley		1
33	AB12-33	Handle Shank		1
34	AB12-34	Spring Lock Assembly	MS720-2	1
35	TS-2311141	Hex Nut	M14	1
36	AB12-36	Brace		1
37	TS-2311101	Hex Nut	M10	6
38	AB12-38	Lock Bolt	M8X40	2
39	BB-6206ZZ	Ball Bearing	6206-ZZ	2
40	AB12-40	Spindle		1
41	5509207	Key, Double Rd Hd	5x5x20mm	1
42	AB12-42	Cover		1
43	TS-1482031	Hex Cap Screw	M6x16	7
44	AB12-44	Inner Flange		1
45	AB12-45	Blade	Φ300 x Φ25.4x3 mm	1
46	AB12-46	Outer Flange		1
47	AB12-47	Hex Nut		1
48	AB12-48	Pad		2
49	AB12-49	Eccentric Sheath		1
50	AB12-50	Rotary Arm		1
51	AB12-51	Eccentric Shaft		1
52	AB12-52	Shaft		1
53	TS-1524011	Socket Set Screw	M8x8	1
54	AB12-54	Fixed Vise Assembly		1
55	AB12-55	Vise Plate	2-3/8" x 8-3/4"	1

Index No	Part No	Description	Size	Qty
56	AB12-56	Vise plate	2-3/8" x 3-1/8"	1
57	AB12-57	Adjustable Handle	M10X30	2
58	TS-2361101	Lock Washer	10mm	1
59	AB12-59	Washer		1
60	TS-1514021	Flat Hd Socket Cap Screw	M6x16	3
61	AB12-61	Vise Plate		1
62	AB12-62	Upper Vise		1
63	AB12-63	Adjust Plate		1
64	TS-1524061	Socket Set Screw	M8X25	4
65	AB12-65	Vise Leadscrew		1
66	AB12-66	Spring		1
67	BB-6205ZZ	Ball Bearing	6205-2Z	1
68	AB12-68	Oil Cup	M6	1
69	AB12-69	Lock Ring		1
70	AB12-70	Lock Handle		1
71	AB12-71	Bearing	AXK3047	1
72	AB12-72	Bearing Cover		1
73	AB12-73	Handwheel Assembly	Ø150XØ18 mm	1
74	AB12-74	Washer		1
75	F010985	Flat Hd Socket Cap Screw	M8X35	1
76	TS-1523031	Socket Set Screw	M6X10	2
77	AB12-77	Base		1
78	AB12-78	Shaft		1
79	AB12-79	Lock Handle		1
80	AB12-80	Nut		1
81	AB12-81	Stand		1
82	AB12-82	Door		1
83	AB12-83	Cover		1
84	AB12-84	Electrical Box		1
85	AB12-85	Emergency Switch	XB2-ES542	1
86	AB12-86	Main Switch	SA1 ZH-DH-2	1
87	AB12-87	Circuit Breaker	NB1-63 2P2A	1
88	AB12-88	Circuit Breaker	NB1-63 1P1A	1
89	AB12-89	A.C. Contactor	CU-18 AC24V	1
90	AB12-90	Caliper Gauge		2
91	AB12-91	Transformer	JCY-63 24V	1
92	AB12-92	Grounding Copper Bar		1
93	AB12-93	Thermal Relay (for 230V)	RHU-10 6A 11.3-16A	1
	AB12-93-460	Thermal Relay (for 460V)	5.5-7.5A	1
94	AB12-94	Subplate		1
95	TS-2284082	Machine Screw, Pan Head	M4x8	12
96	TS-1550021	Flat Washer	4mm	12
97	AB12-97	Strain Relief	M20x1.5	2
98	AB12-98-600	Wire	4x12AWG 600V	3
99	AB12-99	Strain Relief	M16x1.5	1
100	TS-2361041	Lock Washer	4mm	12
101	AB12-101	Cover		2
102	TS-1550021	Flat Washer	4mm	2
103	TS-1501021	Socket Head Cap Screw	M4x8	2
104	F003068	Hex Nut, Blk Oxd	M4-0.7	3
105	AB12-105	Terminal Block		1
106	AB12-106	Spark Collector		1
107	TS-1533032	Machine Screw, Pan Head	M5x10	2
108	TS-1550031	Flat Washer	5mm	2
109	TS-2361051	Lock Washer	5mm	3
110	AB12-110	Control Panel		1
111	AB12-111	Rubber Grip		1
112	AB12-112	Scale		1
113	AB12-113	Rivet	2x6mm	2
114	AB12-114	Connecting Bar		1
115	AB12-115	Star Grip Knob		1

Index No	Part No	Description	Size	Qty
116	AB12-116	Stop Block		1
117	AB12-117	Stop Rod		1
118	TS-154010	Hex Nut	M16	1
	JET-165	JET Logo (not shown)	165X68mm	1
	LM000272	ID/Warning Label, AB-12 (not shown)		1
	LM000273	Motor Label, AB-12 (not shown)		1
	LM000281	Warning Label – Safety Symbols (not shown)		1

12.2.1 AB-14 Abrasive Saw – Exploded View



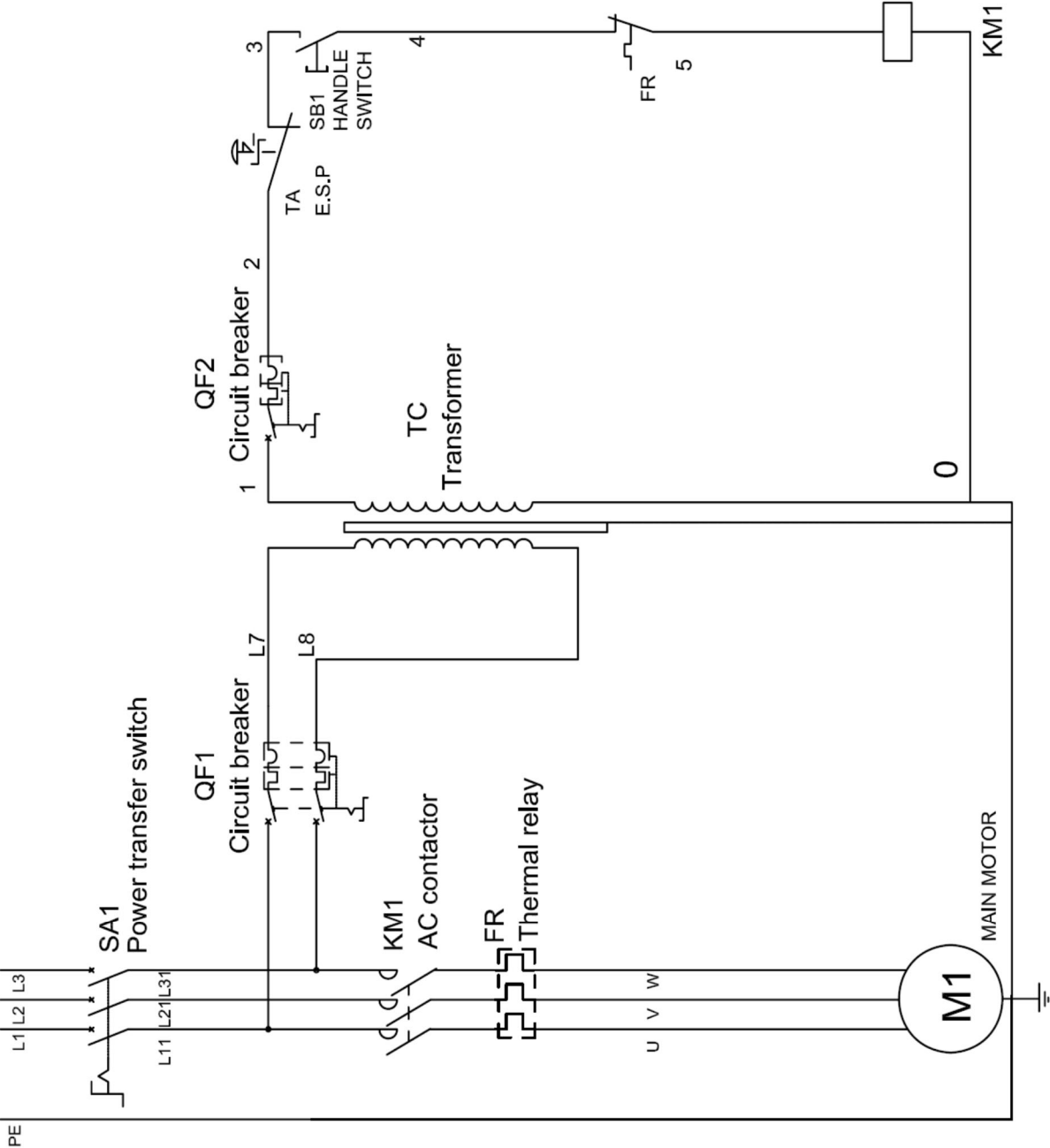
12.2.2 AB-14 Abrasive Saw – Parts List

Index No	Part No	Description	Size	Qty
1	TS-1504041	Socket Head Cap Screw	M8x20	4
2	TS-1550061	Flat Washer	8mm	6
3	AB12-03	Spring pin	6x12 mm	1
4	AB12-04	Pull rod		1
5	TS-1503061	Socket Head Cap Screw	M6x25	2
6	TS-1550041	Flat Washer	6mm	12
7	AB12-07	Ring		2
8	TS-2311061	Hex Nut	M6	1
9	AB12-09	Plate		1
10	F006056	Ext. Retaining Ring	45 mm	1
11	AB14-11	Blade Guard A		1
12	AB14-12	Blade Guard B		1
13	TS-1490061	Hex Cap Screw	M8x35	2
14	TS-1491121	Hex Cap Screw	M10x70	1
15	TS-2311101	Hex Nut	M10	1
16	AB12-16-230	Motor (for s/n 16110001~16110009)	5HP 230V 3PH	1
	AB12-16-230/460	Motor (for s/n 16110010 and higher)	5HP 230/460 3PH	1
	AB12-16-1	Motor Fan Cover (not shown)		1
	AB12-16-2	Motor Fan (not shown)		1
	AB12-16-3	Junction Box (not shown)		1
	AB12-16-4	Junction Box Cover (not shown)		1
17	EPR1460-89-2	Key, Double Rd Hd	8x8x30mm	2
18	TS-1524031	Socket Set Screw	M8x12	3
19	AB12-10	Motor Pulley		1
20	TS-1491031	Hex Cap Screw	M10x25	10
21	TS-1550071	Flat Washer	10mm	8
22	AB12-22	Motor Base		1
23	TS-1503031	Socket Head Cap Screw	M6x12	2
24	TS-2361061	Lock Washer	6mm	4
25	AB12-25	Baffle		1
26	AB12-26	Electrical Box Mount		1
27	VB-A940	Belt	A940	2
28	AB12-28	Belt Guard		1
29	TS-1533032	Machine Screw, Pan Head	M5x10	2
30	AB12-30	Switch Handle		1
31	TS-1524051	Socket Set Screw	M8x20	3
32	AB12-32	Spindle Pulley		1
33	AB12-33	Handle Shank		1
34	AB12-34	Spring Lock Assembly	MS720-2	1
35	TS-2311141	Hex Nut	M14	1
36	AB12-36	Brace		1
37	TS-2311101	Hex Nut	M10	2
38	AB12-38	Lock Bolt	M8X40	2
39	BB-6206ZZ	Ball Bearing	6206-2Z	2
40	AB12-40	Spindle		1
41	5509207	Key, Double Rd Hd	5x5x20mm	1
42	AB12-42	Cover		1
43	TS-1482031	Hex Cap Screw	M6x16	4
44	AB12-44	Inner Flange		1
45	AB14-45	Blade	Φ350 x ø25.4x3 mm	1
46	AB12-46	Outer Flange		1
47	AB12-47	Hex Nut		1
48	AB12-48	Pad		2
49	AB12-49	Eccentric Sheath		1
50	AB14-50	Rotary Arm		1
51	AB12-51	Eccentric Shaft		1
52	AB12-52	Shaft		1
53	AB14-53	Rear Clamping Body		1
54	AB14-54	Rubber Pad		2
55	AB14-55	Press Plate		2

Index No.	Part No.	Description	Size	Qty
56	TS-1534052	Machine Screw, Pan Head	M6x16	4
57	TS-1505011	Socket Head Cap Screw	M10X16	1
58	AB14-58	Support Saddle		1
59	AB14-59	Guiding Shaft		2
60	AB14-60	Handle Seat		1
61	AB14-61	Hex Nut	M20x2	1
62	AB14-62	Cap		1
63	AB14-63	Handle Lever		3
64	AB14-64	Handle Ball		3
65	TS-1505061	Socket Head Cap Screw	M10x40	4
66	AB14-66	Front Clamping Body		1
67	BB-6205ZZ	Ball Bearing	6205-2Z	1
68	AB14-68	Vise Plate		2
69	AB14-69	Vise Plate		2
70	AB14-70	Vise Leadscrew		1
71	AB14-71	Positioning Block		1
72	TS-1505041	Socket Head Cap Screw	M10x30	1
73	AB12-114	Connecting Bar		1
74	AB12-115	Star Grip Knob		1
75	AB12-116	Stop Block		1
76	TS-1523031	Socket Set Screw	M6x10	1
77	AB14-77	Base		1
78	AB14-78	Shaft		1
79	AB12-79	Lock Handle		1
80	AB12-80	Nut		1
81	AB12-81	Stand		1
82	AB12-82	Door		1
83	AB12-83	Cover		1
84	AB12-84	Electrical Box		1
85	AB12-85	Emergency Switch	XB2-ES542	1
86	AB12-86	Main Switch	SA1 ZH-DH-2	1
87	AB12-87	Circuit Breaker	NB1-63 2P2A	1
88	AB12-88	Circuit Breaker	NB1-63 1P1A	1
89	AB12-89	A.C. Contactor	CU-18 AC24V	1
90	AB12-90	Caliper Gauge		2
91	AB12-91	Transformer	JCY-63 24V	1
92	AB12-92	Grounding Copper Bar		1
93	AB12-93	Thermal Relay (for 230V)	RHU-10 6A 11.3-16A	1
	AB12-93-460	Thermal Relay (for 460V)	5.5-7.5A	1
94	AB12-94	Subplate		1
95	TS-2284082	Machine Screw, Pan Head	M4x8	12
96	TS-1550021	Flat Washer	4mm	12
97	AB12-97	Strain Relief	M20x1.5	2
98	AB12-98-600	Wire	4x12AWG 600V	3
99	AB12-99	Strain Relief	M16x1.5	1
100	TS-2361041	Lock Washer	4mm	12
101	AB12-101	Cover		2
102	TS-1550021	Flat Washer	4mm	2
103	TS-1501021	Socket Head Cap Screw	M4x8	2
105	AB12-105	Terminal Block		1
106	AB14-106	Spark Collector		1
107	TS-1533032	Machine Screw, Pan Head	M5x10	2
108	TS-1550031	Flat Washer	5mm	2
109	TS-2361051	Lock Washer	5mm	3
110	AB12-110	Control Panel		1
111	AB12-111	Rubber Grip		1
112	AB14-112	Scale		1
113	AB12-113	Rivet	2x6mm	2
114	AB14-114	Connecting Plate		1
115	AB14-115	Spring		1
116	AB14-116	Pin Shaft		1
117	F006039	Ext. C-Ring	8mm	2

Index No.	Part No.	Description	Size	Qty
118	AB14-118	Handle Ball	M8	1
119	TS-1514021	Socket Head Flat Screw	M6x16	2
120	TS-154010	Hex Nut	M16	1
121	AB12-117	Stop Rod		1
	JET-165	JET Logo (not shown)	165x68 mm	1
	LM000274	ID/Warning Label, AB-14 (not shown)		1
	LM000275	Motor Label, AB-14 (not shown)		1
	LM000281	Warning Label – Safety Symbols (not shown)		1

13.0 Electrical Connections for AB-12,AB-14



14.0 Warranty and service

JET warrants every product it sells against manufacturers' defects. If one of our tools needs service or repair, please contact Technical Service by calling 1-800-274-6846, 8AM to 5PM CST, Monday through Friday.

Warranty Period

The general warranty lasts for the time period specified in the literature included with your product or on the official JET branded website.

- JET products carry a limited warranty which varies in duration based upon the product. (See chart below)
- Accessories carry a limited warranty of one year from the date of receipt.
- Consumable items are defined as expendable parts or accessories expected to become inoperable within a reasonable amount of use and are covered by a 90 day limited warranty against manufacturer's defects.

Who is Covered

This warranty covers only the initial purchaser of the product from the date of delivery.

What is Covered

This warranty covers any defects in workmanship or materials subject to the limitations stated below. This warranty does not cover failures due directly or indirectly to misuse, abuse, negligence or accidents, normal wear-and-tear, improper repair, alterations or lack of maintenance. JET woodworking machinery is designed to be used with Wood. Use of these machines in the processing of metal, plastics, or other materials outside recommended guidelines may void the warranty. The exceptions are acrylics and other natural items that are made specifically for wood turning.

Warranty Limitations

Woodworking products with a Five Year Warranty that are used for commercial or industrial purposes default to a Two Year Warranty. Please contact Technical Service at 1-800-274-6846 for further clarification.

How to Get Technical Support

Please contact Technical Service by calling 1-800-274-6846. **Please note that you will be asked to provide proof of initial purchase when calling.** If a product requires further inspection, the Technical Service representative will explain and assist with any additional action needed. JET has Authorized Service Centers located throughout the United States. For the name of an Authorized Service Center in your area call 1-800-274-6846 or use the Service Center Locator on the JET website.

More Information

JET is constantly adding new products. For complete, up-to-date product information, check with your local distributor or visit the JET website.

How State Law Applies

This warranty gives you specific legal rights, subject to applicable state law.

Limitations on This Warranty

JET LIMITS ALL IMPLIED WARRANTIES TO THE PERIOD OF THE LIMITED WARRANTY FOR EACH PRODUCT. EXCEPT AS STATED HEREIN, ANY IMPLIED WARRANTIES OF MERCHANTABILITY AND FITNESS FOR A PARTICULAR PURPOSE ARE EXCLUDED. SOME STATES DO NOT ALLOW LIMITATIONS ON HOW LONG AN IMPLIED WARRANTY LASTS, SO THE ABOVE LIMITATION MAY NOT APPLY TO YOU.

JET SHALL IN NO EVENT BE LIABLE FOR DEATH, INJURIES TO PERSONS OR PROPERTY, OR FOR INCIDENTAL, CONTINGENT, SPECIAL, OR CONSEQUENTIAL DAMAGES ARISING FROM THE USE OF OUR PRODUCTS. SOME STATES DO NOT ALLOW THE EXCLUSION OR LIMITATION OF INCIDENTAL OR CONSEQUENTIAL DAMAGES, SO THE ABOVE LIMITATION OR EXCLUSION MAY NOT APPLY TO YOU.

JET sells through distributors only. The specifications listed in JET printed materials and on official JET website are given as general information and are not binding. JET reserves the right to effect at any time, without prior notice, those alterations to parts, fittings, and accessory equipment which they may deem necessary for any reason whatsoever. JET® branded products are not sold in Canada by JPW Industries, Inc.

Product Listing with Warranty Period

90 Days – Parts; Consumable items
1 Year – Motors; Machine Accessories
2 Year – Metalworking Machinery; Electric Hoists, Electric Hoist Accessories; Woodworking Machinery used for industrial or commercial purposes
5 Year – Woodworking Machinery
Limited Lifetime – JET Parallel clamps; VOLT Series Electric Hoists; Manual Hoists; Manual Hoist Accessories; Shop Tools; Warehouse & Dock products; Hand Tools; Air Tools

NOTE: JET is a division of JPW Industries, Inc. References in this document to JET also apply to JPW Industries, Inc., or any of its successors in interest to the JET brand.



427 New Sanford Road
LaVergne, Tennessee 37086
Phone: 800-274-6848
www.jettools.com