



## Parts List for #578172 Grinder Stand

**⚠ WARNING:** This product can expose you to chemicals including lead which is known to the State of California to cause cancer and birth defects or other reproductive harm. For more information go to <http://www.p65warnings.ca.gov>.

**⚠ WARNING:** Some dust, fumes and gases created by power sanding, sawing, grinding, drilling, welding and other construction activities contain chemicals known to the State of California to cause cancer and birth defects or other reproductive harm. Some examples of these chemicals are:

- lead from lead based paint
- crystalline silica from bricks, cement and other masonry products
- arsenic and chromium from chemically treated lumber

Your risk of exposure varies, depending on how often you do this type of work. To reduce your exposure to these chemicals, work in a well-ventilated area and work with approved safety equipment, such as dust masks that are specifically designed to filter out microscopic particles. For more information go to <http://www.p65warnings.ca.gov/> and <http://www.p65warnings.ca.gov/wood>.

Assemble the stand using the drawing at right as reference.

*Tools required for stand assembly:*

8mm hex key ("Allen wrench"); 12mm, 17mm wrenches

1. Slide post (# 2) into base (1). Secure by tightening the three socket head cap screws (9) against the post, and tighten nuts (8) against the base.
2. Slide water pot frame (5) over post (2). Secure with screw and nut (8/9).
3. Push platform (7) down over post (2) and secure with screws and nuts (8/9).
4. Place water pot (6) into frame (5). Adjust frame to desired height on post.
5. Mount grinder to platform using fasteners (10-13).

Operation: Fill water pot (6) with water. Dip workpiece into the water to cool it after grinding. Do not apply water directly to the grinding wheels.

Index	Part No.	Description	Qty.
1	IBGS-01	Base	1
2	IBGS-02	Post	1
5	IBGS-05	Water Pot Frame	1
6	IBGS-06	Water Pot	1
7	IBGS-07	Platform	1
8	TS-1540071	Hex Nut, M10	6
9	TS-1505041	Soc Hd Cap Screw, M10x30	6
10	TS-1490071	Hex Cap Screw, M8x40	4
11	TS-1550061	Flat Washer, M8	8
12	TS-2361081	Lock Washer, M8	4
13	TS-1540061	Hex Nut, M8	4

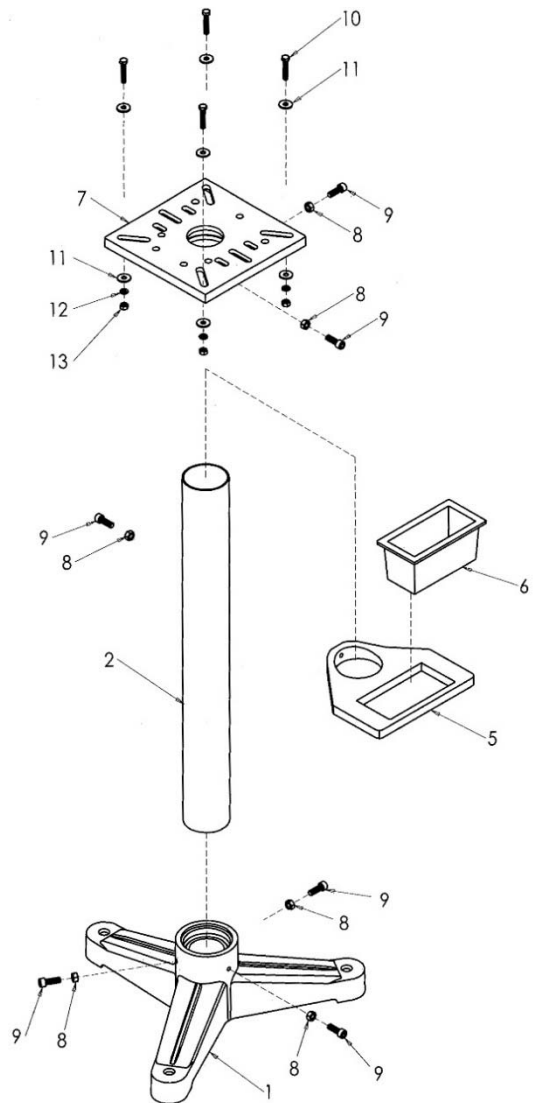
### Specifications

Stock number ..... 578172  
 Assembled size (in.) ..... 21-1/2"L x 10-3/4"W x 33"H  
 Packing size (in.) ..... 32-1/4"L x 19"W x 10"H  
 Net weight (lbs)..... 69  
 Shipping weight (lbs) ..... 74

*Specifications were current at time of publication, but because of our policy of continuous improvement, JET reserves the right to change specifications at any time and without prior notice, without incurring obligations.*

### JET

427 New Sanford Road  
 LaVergne, Tennessee 37086  
 Ph.: 800-274-6848  
[www.jettools.com](http://www.jettools.com)



**Part No. M-578172**  
 Revision D 08/2018

Copyright © 2017 JET, a Division of JPW Industries, Inc.