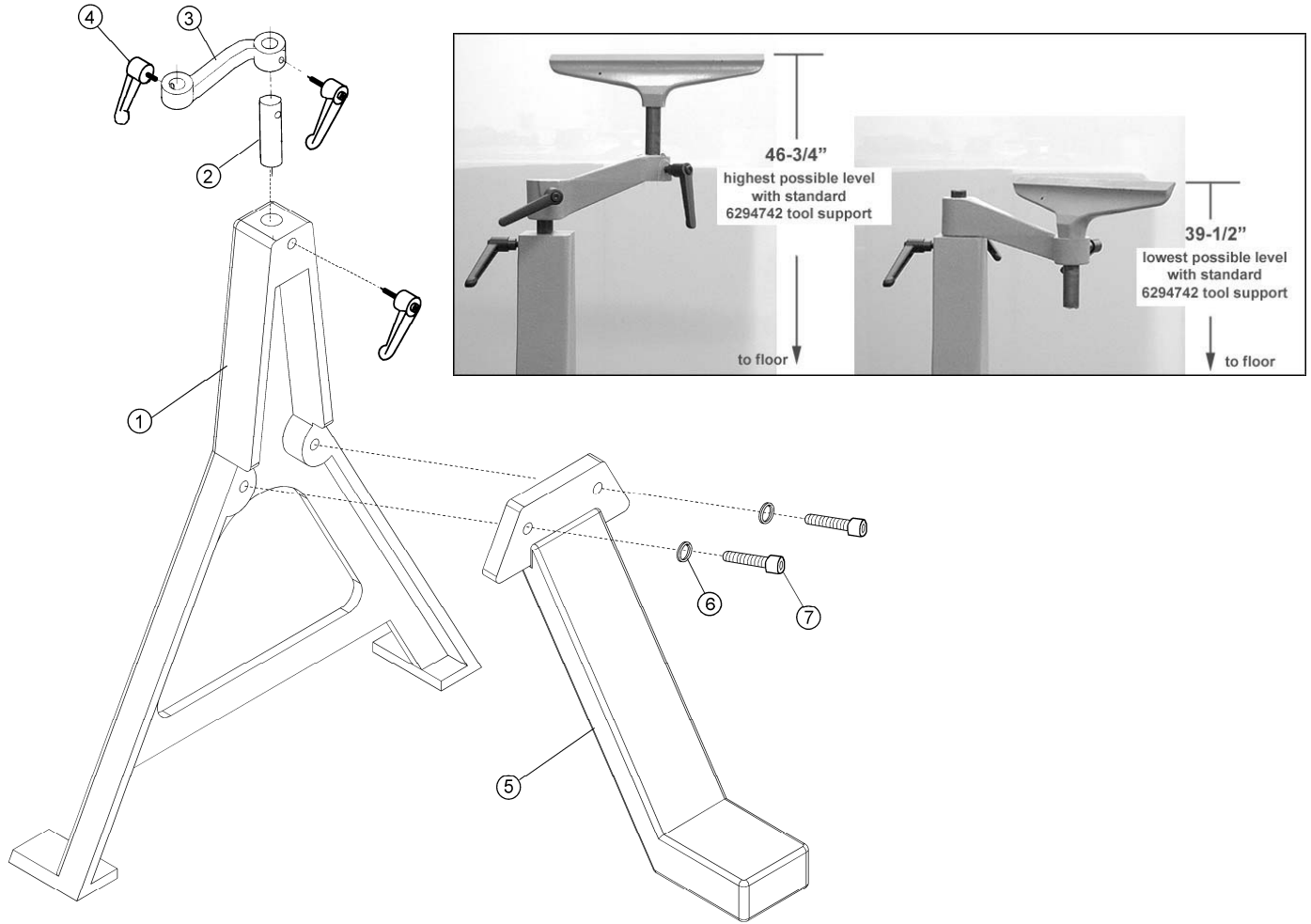




6294732 Outboard Turning Stand



Index No.	Part No.	Description	Size	Qty.
	6294732	Heavy Duty Outboard Turning Stand Assembly (includes # 1 thru 7)		
1	3042503	Turning Stand Base		1
2	6295897	Offset Tool Support Pin	1.00" diameter	1
3	6295898	Offset Tool Support Casting	1.00" hole	1
4	2695026	Screw Lock Assembly		3
5	3423055	Turning Stand Leg		1
6	6861700	Lock Washer	5/8"	2
7	6769002	Socket Head Cap Screw	5/8"-18 x 2"	2

Powermatic

427 New Sanford Road
 LaVergne, Tennessee 37086
 Ph.: 800-274-6848
 www.powermatic.com

Part No. M-6294732
 Edition 2 07/2017
 Copyright © 2017 Powermatic