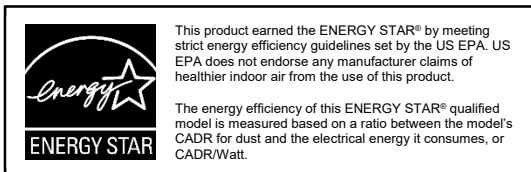


# **POWERMATIC<sup>®</sup>**

## **Operating Instructions and Parts Manual Electrostatic Air Filtration System Model PM1250**



**Powermatic**  
427 New Sanford Road  
LaVergne, Tennessee 37086  
Ph.: 800-274-6848  
[www.powermatic.com](http://www.powermatic.com)

**Part No. M-1791331**  
Edition 5 08/2019  
Copyright © 2018 Powermatic



## 1.0 IMPORTANT SAFETY INSTRUCTIONS

When using an electrical appliance, basic precautions should always be followed, including the following:

READ ALL INSTRUCTIONS BEFORE USING THIS AIR FILTRATION UNIT.

### **WARNING – To reduce the risk of fire, electric shock, or injury:**

1. Read and understand the entire owner's manual before attempting assembly or operation.
2. Read and understand the warnings posted on the machine and in this manual. Failure to comply with all of these warnings may cause serious injury.
3. Replace warning labels if they become obscured or removed.
4. Do not operate this machine while tired or under the influence of drugs, alcohol or any medication.
5. Make certain the machine is properly grounded.
6. Disconnect the filtration unit from the power source (unplug) before servicing or changing filters.
7. Keep guards and covers in place at all times when the machine is in use. If removed for maintenance purposes, use extreme caution and replace the guards immediately after service is complete.
8. Check damaged parts. Before further use of the machine, a guard or other part that is damaged should be carefully checked to determine that it will operate properly and perform its intended function. Check for alignment of moving parts, binding of moving parts, breakage of parts, mounting and any other conditions that may affect its operation. A guard or other part that is damaged should be properly repaired or replaced.
9. Make your workshop child proof with padlocks, master switches or by removing safety keys.
10. Use recommended accessories; improper accessories may be hazardous.
11. Do not place this unit on an unstable surface, or where there is a risk of tipping over. Serious injury could occur if the unit tips over.
12. Do not use this air filtration unit with a damaged cord or plug. If the unit is not working as it should, has been dropped, damaged, left outdoors, or dropped into water, return it to a service center.
13. If ceiling mounted, bottom of filtration unit must be at least 7 feet from the floor.
14. If ceiling mounted, mounts must be anchored to building structure which will support the weight of the air filtration unit. Never mount to surfaces such as dry wall or false ceiling grids.
15. To reduce risk of electric shock, do not expose filtration unit to water or rain.
16. Never duct a machine directly into the air filtration unit.
17. To avoid a potentially dangerous situation, do not use this equipment to filter volatile fumes or smoke.
18. Do not use this unit in high humidity environments. Doing so may cause electric shock and/or decreased performance of the unit.
19. Do not use this equipment to filter flammable vapors. This air filtration unit is designed and intended for the filtration of air borne dust only. It is neither designed nor intended for any other purpose whatsoever. If used for other purposes, Powermatic disclaims any real or implied warranty and holds itself harmless from any injury that may result from that use.
20. This product complies with the maximum allowable concentration of ozone of 0.050 parts per million by volume (ppmv) in a 24-hour period. The Health Canada Guideline 2010 recommends that the maximum exposure limit, based on an averaging time of 8 hours, is 0.020 ppmv or less when tested in a sealed, controlled room approximately 30 m<sup>3</sup>.

**⚠ WARNING:** This product can expose you to chemicals including nickel which is known to the State of California to cause cancer, and lead which is known to the State of California to cause cancer and birth defects or other reproductive harm. For more information go to <http://www.p65warnings.ca.gov>.

**⚠ WARNING:** Some dust, fumes and gases created by power sanding, sawing, grinding, drilling, welding and other construction activities contain chemicals known to the State of California to cause cancer and birth defects or other reproductive harm. Some examples of these chemicals are:

- lead from lead based paint
- crystalline silica from bricks, cement and other masonry products
- arsenic and chromium from chemically treated lumber

Your risk of exposure varies, depending on how often you do this type of work. To reduce your exposure to these chemicals, work in a well-ventilated area and work with approved safety equipment, such as dust masks that are specifically designed to filter out microscopic particles. For more information go to <http://www.p65warnings.ca.gov/> and <http://www.p65warnings.ca.gov/wood>.

**Familiarize yourself with the following safety notices used in this manual:**

**⚠ CAUTION** This means that if precautions are not heeded, it may result in minor injury and/or possible machine damage.

**⚠ WARNING** This means that if precautions are not heeded, it may result in serious or possibly fatal injury.

## 2.0 Table of contents


Section	Page
1.0 IMPORTANT SAFETY INSTRUCTIONS .....	2
2.0 Table of contents.....	4
3.0 About this manual .....	4
4.0 PM1250 Electrostatic AFS specifications.....	5
4.1 PM1250 mounting hole pattern .....	6
5.0 Electrical connections .....	7
5.1 GROUNDING INSTRUCTIONS .....	7
5.2 Extension cords.....	7
6.0 Unpacking .....	8
6.1 Shipping contents.....	8
7.0 Assembly.....	8
8.0 Operation .....	8
8.1 Tilt Adjustment.....	8
8.2 Basic procedure .....	8
9.0 User-maintenance.....	8
9.1 Filter cleaning and replacement .....	8
9.2 Anion generator maintenance .....	9
9.3 Additional servicing .....	9
10.0 Troubleshooting PM1250 Electrostatic AFS .....	11
11.0 Replacement parts .....	12
11.1.1 PM1250 Electrostatic AFS – Parts List .....	12
11.1.2 PM1250 Electrostatic AFS – Exploded View.....	13
12.0 Electrical connections for PM1250.....	14
13.0 Warranty and Service.....	15

## 3.0 About this manual

This manual is provided by Powermatic covering the safe operation and maintenance procedures for the PM1250 Electrostatic Air Filtration System. This manual contains instructions on installation, safety precautions, general operating procedures, maintenance instructions and parts breakdown. Your machine has been designed and constructed to provide consistent, long-term operation if used in accordance with the instructions set forth in this document.

If there are questions or comments, please contact your local supplier or Powermatic. Powermatic can also be reached at our web site: [www.powermatic.com](http://www.powermatic.com).

Retain this manual for future reference. If the machine transfers ownership, the manual should accompany it.

** **WARNING** Read and understand the entire contents of this manual before attempting assembly or operation! Failure to comply may cause serious injury!**

Register your product using the mail-in card provided, or register online:

<http://www.powermatic.com/us/en/service-and-support/product-registration/>

**The PM1250 Electrostatic Air Filtration System is CARB certified to comply with the federal ozone emissions limit.**

## 4.0 PM1250 Electrostatic AFS specifications

Table 1

Stock number		1791331	
Model number		PM1250	
Blower speeds		3	
Timer settings (hours)		1, 2, 4, 8	
Sound rating @ 1M <sup>1</sup>	High speed	50.8 dBA ±10%	
	Medium speed	45.0 dBA ±10%	
	Low speed	41.3 dBA ±10%	
Air flow with filter <sup>1</sup>	High speed	1282 m <sup>3</sup> /h (754 cfm) ±10%	
	Medium speed	965 m <sup>3</sup> /h (567 cfm) ±10%	
	Low speed	751 m <sup>3</sup> /h (441 cfm) ±10%	
CADR (Clean Air Delivery Rate) <sup>1,2,3</sup>	High speed	Smoke	>450 cfm
		Dust	>400 cfm
		Pollen	>450 cfm
	Medium speed	Smoke	354.5 cfm
		Dust	363.8 cfm
		Pollen	389.3 cfm
	Low speed	Smoke	247.1 cfm
		Dust	250.6 cfm
		Pollen	261.9 cfm
Energy Efficiency Grade (E=CADR/Power)	High speed	>13.2	
	Medium speed	20.8	
	Low speed	23.2	
Motor (input)		35W, DC 140V/165V	
Electrical input required		120VAC, 60Hz, 15A	
Current draw <sup>1</sup>	High speed	29.7W ±10%	
	Medium speed	17.5W ±10%	
	Low speed	10.6W ±10%	
Cord and plug		SJT 18AWGx3C, 6 ft., 15A plug	
Amperage draw	High speed	0.31 A	
	Medium speed	0.19 A	
	Low speed	0.13 A	
Filter diameter		543 mm (21.3 in.)	
Approximate filter life		3000 operating hours	
Programmed cleaning alert (flashing red indicator)		1000 operating hours	
Remote control batteries		(2) AAA	
Overall dimensions, WxHxD		27 x 25-5/8 x 15 in. (688 x 650 x 380 mm)	
Shipping dimensions, LxWxH		29 x 28-1/2 x 14 in. (738 x 725 x 355 mm)	
Net weight, approx.		38 lb. (17.3 kg)	
Shipping weight, approx.		52 lb. (23.6 kg)	

*L = length, W = width, H = height, D = depth*

<sup>1</sup> Variable of ±10%, for general information only, not to be viewed as fixed parameters for inspection purposes.

<sup>2</sup> Tests performed by independent third party in accordance with ANSI/AHAM AC-1-2015 entitled *Association of Home Appliance Manufacturers Method for Measuring Performance of Portable Household Electric Room Air Cleaners*.

<sup>3</sup> In accordance with AHAM's 2/3 rule, these numbers are applicable to a room of up to 680 sq. ft. for airborne particles. Powermatic always recommends using an appropriately sized dust collector in conjunction with our air filtration systems.

The specifications in this manual were current at time of publication, but because of our policy of continuous improvement, Powermatic reserves the right to change specifications at any time and without prior notice, without incurring obligations.

### 4.1 PM1250 mounting hole pattern

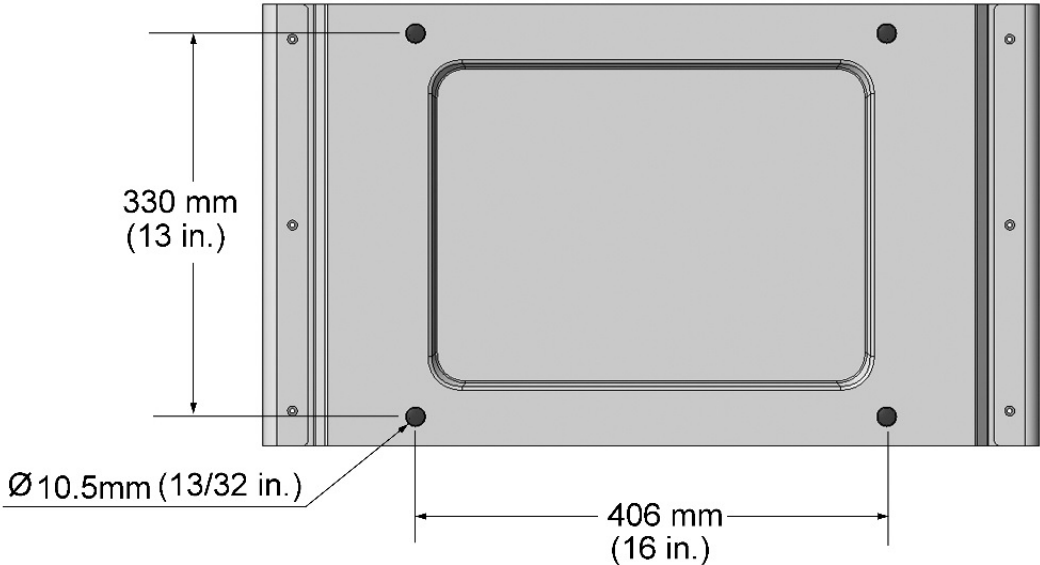


Figure 4-1

## 5.0 Electrical connections

**⚠WARNING** Electrical connections should be made by a qualified electrician in compliance with all relevant codes. Failure to comply may cause serious injury.

The PM1250 Electrostatic AFS is prewired for single phase, 120V power. It is provided with a plug designed for use on a circuit with a grounded outlet that looks like the one pictured in Figure 5-1.

It is recommended that the PM1250 be connected to a dedicated 15 amp circuit with circuit breaker or fuse. If fuses are used, they should be time-delay fuse marked "D". **Local codes take precedence over recommendations.**

**IMPORTANT:** This electrostatic unit must be electrically grounded for proper operation, as well as for safety reasons (see below).

### 5.1 GROUNDING INSTRUCTIONS

#### 1. All Grounded, Cord-connected Tools:

This machine must be grounded. In the event of a malfunction or breakdown, grounding provides a path of least resistance for electric current to reduce the risk of electric shock. This tool is equipped with an electric cord having an equipment-grounding conductor and a grounding plug. The plug must be plugged into a matching outlet that is properly installed and grounded in accordance with all local codes and ordinances.

Do not modify the plug provided - if it will not fit the outlet, have the proper outlet installed by a qualified electrician.

Improper connection of the equipment-grounding conductor can result in a risk of electric shock. The conductor with insulation having an outer surface that is green with or without yellow stripes is the equipment-grounding conductor. If repair or replacement of the electric cord or plug is necessary, do not connect the equipment-grounding conductor to a live terminal.

**⚠WARNING** Check with a qualified electrician or service personnel if the grounding instructions are not completely understood, or if in doubt as to whether the tool is properly grounded. Failure to comply may cause serious or fatal injury.

Use only 3-wire extension cords that have 3-prong grounding plugs and 3-pole receptacles that accept the tool's plug.

Repair or replace damaged or worn cord immediately.

2. *Grounded, cord-connected tools intended for use on a supply circuit having a nominal rating less than 150 volts:*

This tool is intended for use on a circuit that has an outlet that looks like the one illustrated in Figure 5-1.

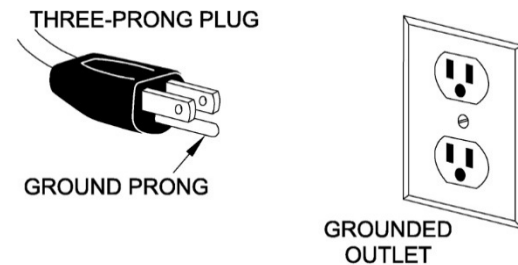


Figure 5-1

### 5.2 Extension cords

The use of extension cords is discouraged. Try to position machines within reach of the power source. If an extension cord must be used, make sure it is heavy enough to carry the current your product will draw. An undersized cord will cause a drop in line voltage resulting in loss of power and overheating. Table 2 shows correct size to use depending on cord length and nameplate ampere rating. If in doubt, use the next heavier gauge. The smaller the gauge number, the heavier the cord.

Ampere Rating		Volts	Total length of cord in feet			
More Than	Not More Than		25	50	100	150
		120	AWG			
0	6		18	16	16	14
6	10		18	16	14	12
10	12		16	16	14	12
12	16		14	12	Not Recommended	

Extension Cord Recommendations  
Table 2

## 6.0 Unpacking

### 6.1 Shipping contents

Open shipping cartons and check that all parts are intact. Report any damage or missing parts to your distributor. Note that your unit may be provided with extra fasteners. Read the instruction manual thoroughly for assembly, alignment, and maintenance instructions.

- 1 Air filtration unit
- 2 Side plates
- 1 Base plate
- 1 Remote control (batteries not included)
- 2 Knobs
- 6 Pan head screws with washers M5x10
- 4 Rubber pads
- 1 Cleaning brush
- 1 Operating instructions and parts manual
- 1 Product registration card

## 7.0 Assembly

Assemble base of unit with provided screws and washers, as shown in Figure 8-1.

If filtration unit is to remain portable, press the four rubber pads into the mounting holes.

The unit may also be fixed to a table, wall or ceiling, using appropriate fasteners (not included) through four holes in base. See Figure 4-1 for hole pattern. 3/8" diameter fasteners are recommended. NOTE: First secure assembled base to structure, then mount filtration unit with the two knobs.

**⚠WARNING** Wall or ceiling structure must be capable of supporting weight of air filtration unit and absorbing any vibrations arising from the unit. Appropriate fasteners must be used to secure to structure. Failure to comply may cause serious injury.

## 8.0 Operation

### 8.1 Tilt Adjustment

Loosen side knobs and tilt frame to any position. Retighten both knobs.

For best results, when unit is ceiling-mounted position front (filter side) downward; when unit is table-mounted position front (filter side) vertically.

### 8.2 Basic procedure

Refer to Figure 8-2.

1. Plug in unit. *On/off* indicator light glows red for standby mode.
2. Press *Power* button to start unit. *Speed* indicator light glows green, and default speed is selected.

3. Press and release *Speed* button until desired speed indicator is green.
4. Press *Timer* button until desired timer indicator is green. If *Timer* button is not pressed again for 3 seconds, the selected time indicator will flash multiple times, then stay green.
5. Unit will count down from the corresponding time, and will automatically shut off at time expiration.

Example: 8H indicator stays green when timing begins; switches to 4H indicator after four hours, then to 2H indicator after another two hours, then to 1H, and finally unit will shut off and remain in standby condition.

Note: If Timer function is not used, unit will continue to operate until *Power* button is pressed.

All above functions can be operated remotely. See Figure 8-3. The remote control uses radio frequency, and thus is not limited to line-of-sight operation.

## 9.0 User-maintenance

The batteries should be changed in the remote control as needed, particularly if unit seems unresponsive to remote operation.

### 9.1 Filter cleaning and replacement

The disposable filter is designed for approximately 3000 hours of life, dependent upon speed setting and working environment. See Table 3.

<i>Speed</i>	<i>Operating time</i>	<i>Approximate filter life consumed</i>
Low	1 hour	0.75 hours
Medium	1 hour	1 hour
High	1 hour	1.25 hours

Table 3

Filter life may be extended by occasional use of a shop vacuum or compressed air to clean off the dust. However, a dirty filter should be replaced as it will diminish the efficiency of the unit.

Clean the filter after every 1000 hours of operation, or more frequently if needed. The unit is programmed to alert the user after 1000 hours; the red indicator light will flash twice per second.

After 3000 hours of operation, the filter should be discarded and replaced by a new one.



### To remove filter:

1. When filter life reaches programmed time (1000 hours), red *Reset* indicator light will flash twice per second.
2. Turn off unit.



**CAUTION:** The internal metal ring carries an electrical charge during operation. Turn off unit before attempting to remove cover.

3. Rotate cover counterclockwise and remove it, along with the prefilter. See Figure 8-4.
4. Hold the frame stationary, and rotate filter counterclockwise to remove.
5. Clean dust from filter with vacuum or soft bristle brush. Blow dust from recessed areas of filter with a household air blower. Also clean out any residual dust from inside the unit.

### To install cleaned or replacement filter:

6. Center filter onto stator and turn it clockwise (about 1/8 of a turn) until it fully engages – you will feel a hard stop.
7. Install cover and rotate clockwise until it fully engages. A lock/unlock graphic is molded into left and right edges of the cover as a guide. Note: A sensor prevents unit from starting if cover is not installed properly.
8. Plug in unit. Red *Reset* indicator light will flash.
9. Press and hold *Power* button for 5 seconds until red indicator light goes off. Filter life count is now reset.

## 9.2 Anion generator maintenance

Remove dust regularly from the anion generator (i.e. carbon brush) with the provided cleaning brush. See Figure 9-1.



*Figure 9-1*

## 9.3 Additional servicing

Any additional servicing should be performed by authorized service personnel.

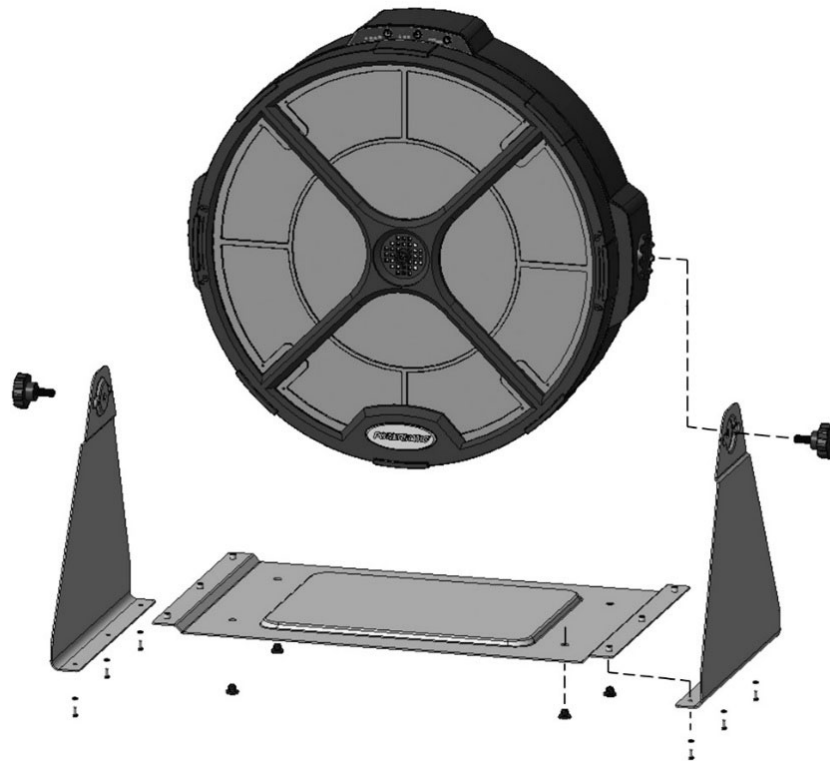


Figure 8-1: Assembly

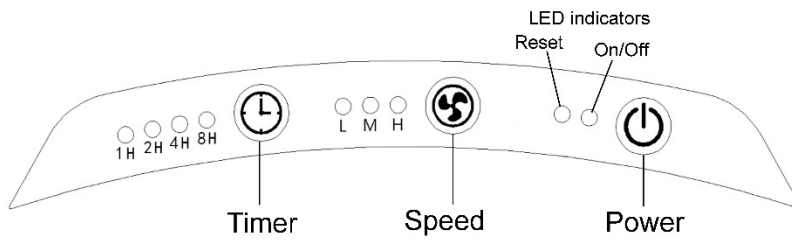


Figure 8-2: Controls

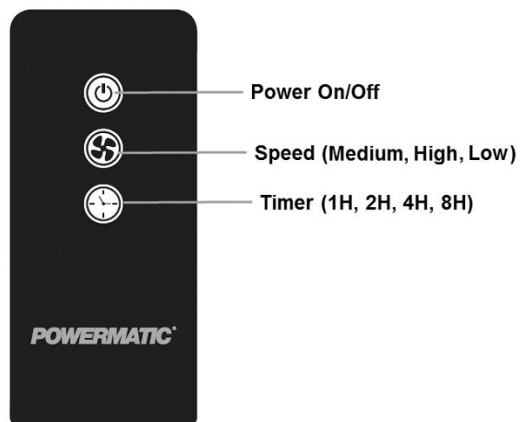


Figure 8-3: Remote control

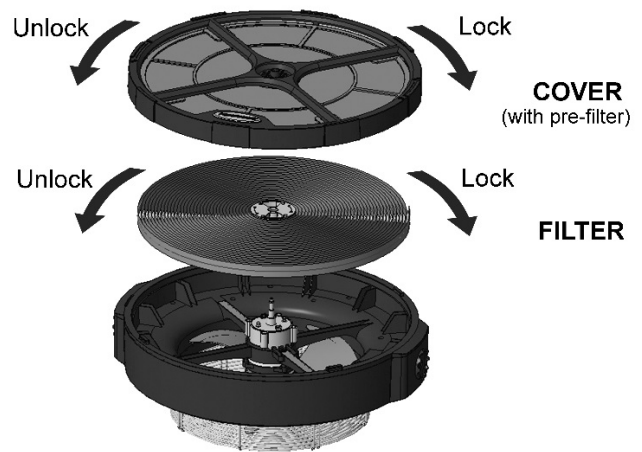


Figure 8-4: Filter replacement

## 10.0 Troubleshooting PM1250 Electrostatic AFS

Table 4

Symptom	Probable Cause	Remedy*
Machine will not start.	No incoming power.	Check plug connection.
	Cover improperly installed.	Reinstall cover. If properly installed, red light will illuminate on control panel.
	Low voltage.	Request voltage check from power company and correct low voltage condition.
	Power cord damaged.	Replace cord.
	Control button or PCBA malfunction.	Contact Powermatic customer service.
Excessive vibration.	Loose frame parts, knobs or fasteners.	Inspect and tighten as needed.
	Impeller imbalance.	Clean impeller (do not use solvents). If imbalance still occurs, replace impeller.
	Motor imbalance.	Have motor tested by qualified personnel; replace if needed.
Unit not responding to remote control.	Weak batteries in remote control.	Replace batteries.
	Radio frequency interference.	Identify sources of interference and eliminate them, or relocate unit.
	Remote control or machine control panel malfunction.	Contact Powermatic customer service.
Unit not working efficiently; not cleaning air.	Filter not installed properly.	Reinstall filter; make sure it is fully rotated.
	Blocked air flow.	Inspect filter; replace if dirty. Vacuum or blow out the pre-filter and any residual dust from inside unit.
	Unit not electrically grounded.	Check power source; make sure grounding is working.
Controls on unit not working.	Control button or PCBA malfunction.	Contact Powermatic customer service.

\* **WARNING:** Some remedies may require a qualified electrician.

## 11.0 Replacement parts

To order parts or reach our service department, call 1-800-274-6848 Monday through Friday, 8:00 a.m. to 5:00 p.m. CST. Having the Model Number and Serial Number of your machine available when you call will allow us to serve you quickly and accurately.

Non-proprietary parts, such as fasteners, can be found at local hardware stores, or may be ordered from Powermatic.

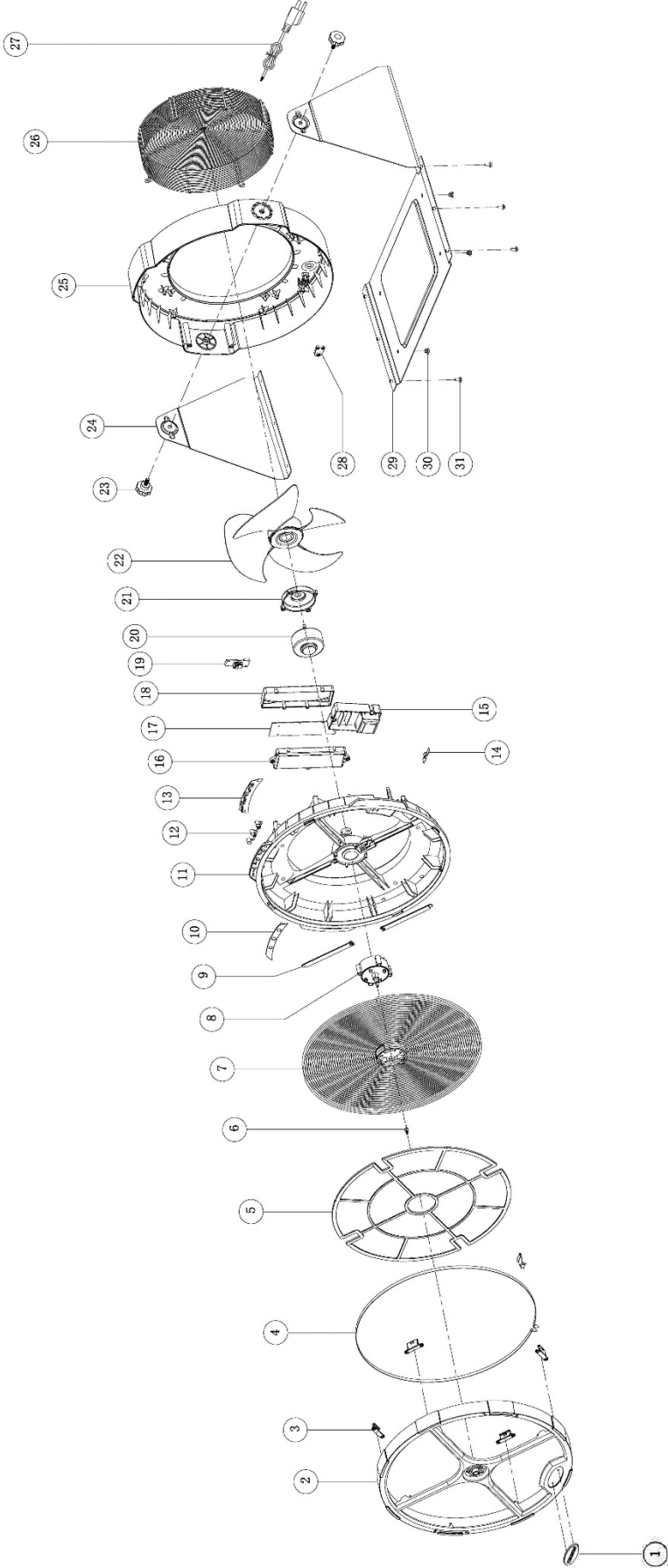
Some parts are shown for reference only, and may not be available individually.

### 11.1.1 PM1250 Electrostatic AFS – Parts List

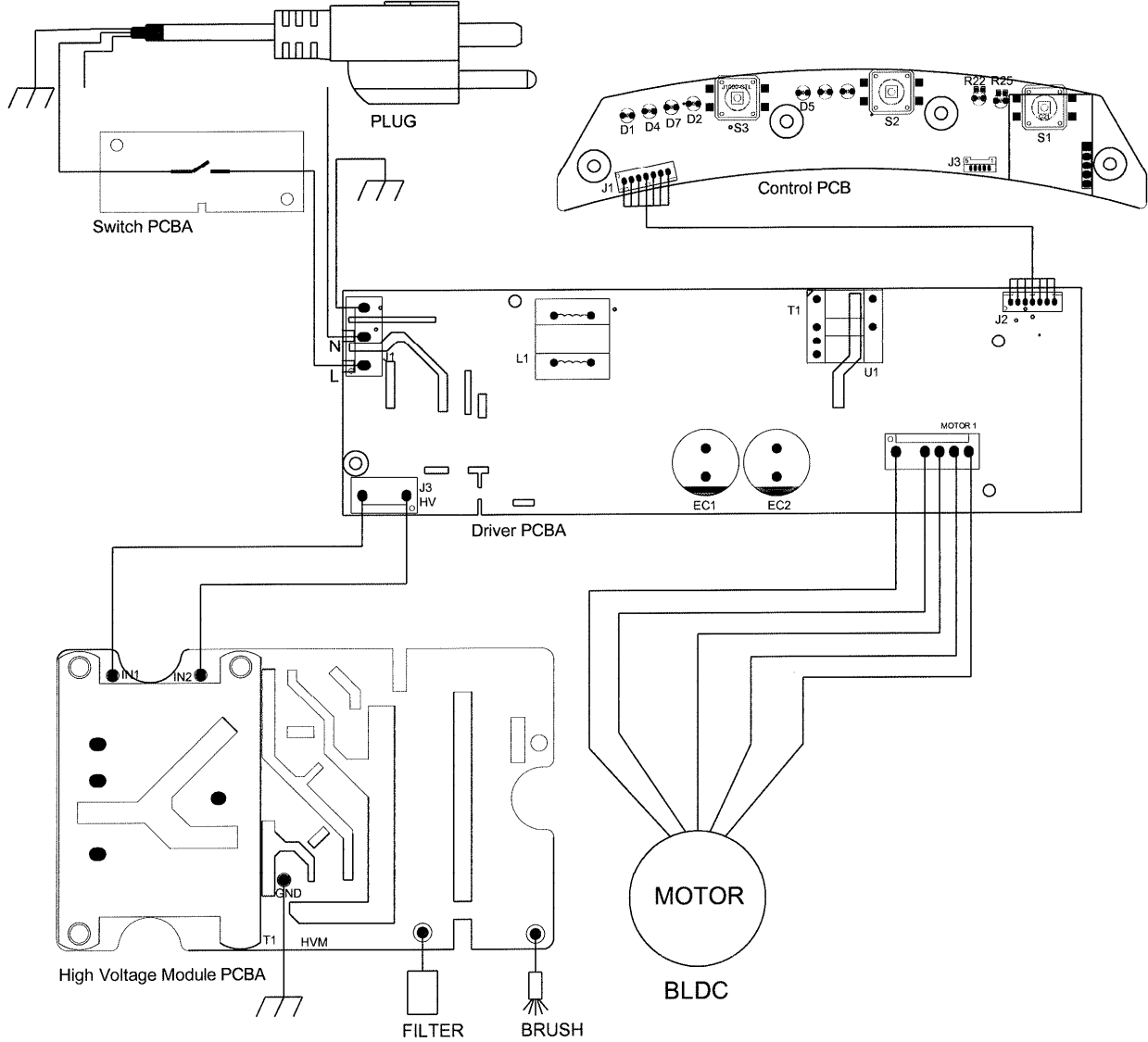
Index No	Part No	Description	Size	Qty
1	2211-J1000-01	Powermatic Logo	W100 x H36 mm	1
2	2101-J1000-01	Cover		1
3	2112-J1000-01	Cover Fastener		4
4	2203-J1000-01	Metal Ring		1
5	2111-J1000-01	Pre-Filter		1
6	2501-J1000-01	Carbon Brush		1
7	1791332	Filter		1
8	7201-J1000-02	Stator Assembly		1
9	2109-J1000-01	Cord Cover		2
10	2115-J1000-01	Display Board		1
11	2102-J1000-01	Mid-Frame		1
12	2114-J1000-01	Control Button Set		1
13	1812-J1000-01	Control PCBA		1
14	2205-J1000-01	Grounding Connector		1
15	7201-J1000-01	High Voltage Unit		1
16	2105-J1000-01	Power Box – Top		1
17	1811-J1000-01	Power PCBA		1
18	2106-J1000-01	Power Box – Bottom		1
19	1813-J1000-02	Switch PCBA		1
20	1821-J1000-01	Motor	35W DC 140V/165V	1
21	2110-J1000-01	Motor Cover		1
22	2107-J1000-01	Fan		1
23	2401-J1000-01	Knob	M10x25 D=60mm	2
24	2202-J1000-01	Side Plate		2
25	2103-J1000-01	Rear Cover		1
26	2204-J1000-01	Net		1
27	1801-J1000-02	Power Cord w/Plug	SJT 18AWGx3C	1
28	2108-J1000-01	Cord Grip		1
29	2201-J1000-01	Base Plate		1
30	2118-J1000-01	Rubber Pad *		4
31	3130-05010-01	Phillips Pan Hd Machine Screw w/Lock Washer *	M5x10	6
33	4230-J1000-11	I.D. Label, PM1250 (not shown)		1
34	4230-J1000-13	Warning Label, PM1250 (not shown)		1
35	2502-J1000-01	Remote Control (not shown)		1
36	PM1250-36	Cleaning Brush (not shown)		1
		Batteries – local purchase	AAA	2
	PM1250-HP	Hardware Package		

\* items included in hardware package

11.1.2 PM1250 Electrostatic AFS – Exploded View



# 12.0 Electrical connections for PM1250



## 13.0 Warranty and Service

Powermatic® warrants every product it sells against manufacturers' defects. If one of our tools needs service or repair, please contact Technical Service by calling 1-800-274-6846, 8AM to 5PM CST, Monday through Friday.

### Warranty Period

The general warranty lasts for the time period specified in the literature included with your product or on the official Powermatic branded website.

- Powermatic products carry a limited warranty which varies in duration based upon the product. (See chart below)
- Accessories carry a limited warranty of one year from the date of receipt.
- Consumable items are defined as expendable parts or accessories expected to become inoperable within a reasonable amount of use and are covered by a 90 day limited warranty against manufacturer's defects.

### Who is Covered

This warranty covers only the initial purchaser of the product from the date of delivery.

### What is Covered

This warranty covers any defects in workmanship or materials subject to the limitations stated below. This warranty does not cover failures due directly or indirectly to misuse, abuse, negligence or accidents, normal wear-and-tear, improper repair, alterations or lack of maintenance. Powermatic woodworking machinery is designed to be used with Wood. Use of these machines in the processing of metal, plastics, or other materials outside recommended guidelines may void the warranty. The exceptions are acrylics and other natural items that are made specifically for wood turning.

### Warranty Limitations

Woodworking products with a Five Year Warranty that are used for commercial or industrial purposes default to a Two Year Warranty. Please contact Technical Service at 1-800-274-6846 for further clarification.

### How to Get Technical Support

Please contact Technical Service by calling 1-800-274-6846. **Please note that you will be asked to provide proof of initial purchase when calling.** If a product requires further inspection, the Technical Service representative will explain and assist with any additional action needed. Powermatic has Authorized Service Centers located throughout the United States. For the name of an Authorized Service Center in your area call 1-800-274-6846 or use the Service Center Locator on the Powermatic website.

### More Information

Powermatic is constantly adding new products. For complete, up-to-date product information, check with your local distributor or visit the Powermatic website.

### How State Law Applies

This warranty gives you specific legal rights, subject to applicable state law.

### Limitations on This Warranty

POWERMATIC LIMITS ALL IMPLIED WARRANTIES TO THE PERIOD OF THE LIMITED WARRANTY FOR EACH PRODUCT. EXCEPT AS STATED HEREIN, ANY IMPLIED WARRANTIES OF MERCHANTABILITY AND FITNESS FOR A PARTICULAR PURPOSE ARE EXCLUDED. SOME STATES DO NOT ALLOW LIMITATIONS ON HOW LONG AN IMPLIED WARRANTY LASTS, SO THE ABOVE LIMITATION MAY NOT APPLY TO YOU.

POWERMATIC SHALL IN NO EVENT BE LIABLE FOR DEATH, INJURIES TO PERSONS OR PROPERTY, OR FOR INCIDENTAL, CONTINGENT, SPECIAL, OR CONSEQUENTIAL DAMAGES ARISING FROM THE USE OF OUR PRODUCTS. SOME STATES DO NOT ALLOW THE EXCLUSION OR LIMITATION OF INCIDENTAL OR CONSEQUENTIAL DAMAGES, SO THE ABOVE LIMITATION OR EXCLUSION MAY NOT APPLY TO YOU.

Powermatic sells through distributors only. The specifications listed in Powermatic printed materials and on the official Powermatic website are given as general information and are not binding. Powermatic reserves the right to effect at any time, without prior notice, those alterations to parts, fittings, and accessory equipment which they may deem necessary for any reason whatsoever.

### Product Listing with Warranty Period

90 Days – Parts; Consumable items
1 Year – Motors, Machine Accessories
2 Year – Woodworking Machinery used for industrial or commercial purposes
5 Year – Woodworking Machinery

NOTE: Powermatic is a division of JPW Industries, Inc. References in this document to Powermatic also apply to JPW Industries, Inc., or any of its successors in interest to the Powermatic brand.




427 New Sanford Road  
LaVergne, Tennessee 37086  
Phone: 800-274-6848  
[www.powermatic.com](http://www.powermatic.com)



# POWERMATIC®

## Manual de instrucciones de operación y piezas Sistema de filtración de aire electrostático Modelo PM1250



	<p>Este product ganó la certificación ENERGY STAR® cumpliendo estrictas normas de eficiencia de energía establecidas por la Agencia de Protección del Medio Ambiente (EPA) de EE.UU. La EPA de EE.UU. no respalda ninguna declaración acerca de aire interior más saludable por el uso de este producto realizada por fabricantes.</p>
	<p>La eficiencia energética de este modelo calificado ENERGY STAR® se mide en función de la relación entre el CADR del modelo para polvo y la energía eléctrica que consume, o CADR / Watt.</p>

**Powermatic**  
427 New Sanford Road  
LaVergne, Tennessee 37086  
Tel: 800-274-6848  
www.powermatic.com

**No. de pieza M-1791331**  
Edición 5 Agosto/2019  
Copyright © 2018 Powermatic




## 1.0 INSTRUCCIONES DE SEGURIDAD IMPORTANTES


Al usar un aparato eléctrico, se deben seguir siempre precauciones básicas, incluidas las siguientes.

LEA TODAS LAS INSTRUCCIONES ANTES DE USAR ESTA UNIDAD DE FILTRACIÓN DE AIRE.

### ADVERTENCIA – Para reducir el riesgo de incendio, descarga eléctrica o lesiones:

1. ¡Lea y entienda todo el contenido de este manual del propietario antes de tratar de armarla o hacerla funcionar!
2. Lea y entienda las advertencias indicadas en la máquina y este manual. De no cumplir con todas estas advertencias se pueden producir lesiones graves.
3. Reemplace las etiquetas de advertencia si se oscurecen o se retiran.
4. No haga funcionar esta máquina si está cansado o bajo la influencia de drogas, alcohol o cualquier medicina.
5. Asegúrese de que la máquina esté debidamente puesta a tierra.
6. Desconecte la unidad de filtración de la fuente de alimentación (desenchufe) antes de efectuar el servicio o cargar los filtros.
7. Mantenga los protectores y las cubiertas colocados en todo momento cuando se use la máquina. Si se quitan para fines de mantenimiento, tenga mucho cuidado y vuelva a colocar los protectores de inmediato después de completar el servicio.
8. Compruebe si hay piezas dañadas. Antes de usar más la máquina, se debe comprobar detenidamente si hay un protector u otra pieza dañados para determinar si funcionará debidamente y realizará su función prevista. Compruebe la alineación y adherencia de las piezas móviles, la rotura de piezas, el armado y cualquier otra condición que pueda afectar su operación. Un protector u otra pieza dañados debe repararse o reemplazarse debidamente.
9. Prepare su taller a prueba de niños con candados, interruptores principales o retirando las llaves de seguridad.
10. Use accesorios recomendados; los accesorios indebidos pueden ser peligrosos.
11. No coloque esta unidad sobre una superficie inestable, o donde haya un riesgo de volcarse. Se pueden producir lesiones graves si se vuelca la unidad.
12. No use esta unidad de filtración de aire con un cordón o un enchufe dañados. Si la unidad no funciona como debe, se ha dejado caer, está dañada, se deja fuera o se deja caer al agua, devuélvala a un centro de servicio.
13. Si está montada en el techo, la parte inferior de la unidad de filtración debe estar al menos a 7 pies del piso.
14. Si está montada en el techo, los montajes deben anclarse en la estructura del edificio que soportará el peso de la unidad de filtración de aire. No monte nunca en superficies como placas de yeso o placas falsas de techo.
15. Para reducir el riesgo de descarga eléctrica, no exponga la unidad de filtración al agua o a la lluvia.
16. No conecte nunca una máquina directamente a la unidad de filtración de aire.
17. Para evitar una situación potencialmente peligrosa, no use este equipo para filtrar vapores volátiles o humo.
18. No use esta unidad en ambientes con mucha humedad. Hacerlo puede causar una descarga eléctrica y / o una disminución del rendimiento de la unidad.
19. No use este equipo para filtrar vapores inflamables. Esta unidad de filtración de aire está diseñada y prevista para la filtración de polvo suspendido en el aire. No está diseñada ni prevista para ningún otro fin. Si se usa para otros fines, Powermatic renuncia a cualquier garantía real o implícita y se exime de la responsabilidad de las lesiones que puedan ser consecuencia de dicho uso.
20. Este producto cumple con la concentración máxima permisible de ozono de 0.050 partes por millón por volumen (ppmv) en un período de 24 horas. La Guía 2010 de Health Canada recomienda que el límite máximo de exposición, basado en un tiempo promedio de 8 horas, sea de 0.020 ppmv o menos cuando se prueba en una habitación sellada y controlada de aproximadamente 30 m<sup>3</sup>.

 **ADVERTENCIA:** Este producto puede exponerlo a productos químicos, incluido níquel que, según el estado de California, causa cáncer y plomo que, según el estado de California, causa cáncer y defectos de nacimiento u otros daños reproductivos. Para obtener más información, vaya a <http://www.p65warnings.ca.gov>.

 **ADVERTENCIA:** La perforación, aserrado, lijado o mecanizado de productos de madera genera polvo de madera y otras sustancias conocidas por el Estado de California como causante de cáncer. Evitar la inhalación de polvo que se genera a partir de productos de madera o utilizar una mascarilla contra el polvo u otras medidas de seguridad para protección personal.

Productos de madera emiten sustancias químicas conocidas en el Estado de California como causa defectos de nacimiento u otros daños reproductivos. Para obtener más información, vaya a <http://www.p65warnings.ca.gov/wood>.

### **Familiarícese con los siguientes avisos de seguridad usados en este manual**



**PRECAUCIÓN**

Esto significa que, si no se respetan las precauciones, se pueden producir lesiones menores y posibles daños en la máquina.



**ADVERTENCIA**

Esto significa que, si no se respetan las precauciones, se pueden producir lesiones graves o posiblemente incluso mortales.

## 2.0 Índice

Sección	Página
1.0 INSTRUCCIONES DE SEGURIDAD IMPORTANTES.....	2
2.0 Índice .....	4
3.0 Acerca de este manual .....	4
4.0 Especificaciones del sistema de filtración de aire electrostático PM1250 .....	5
4.1 Configuración de agujeros de montaje PM1250.....	6
5.0 Conexiones eléctricas.....	7
5.1 INSTRUCCIONES DE PUESTA A TIERRA .....	7
5.2 Cordones de alargamiento.....	7
6.0 Desembalaje.....	8
6.1 Contenido de envío.....	8
7.0 Armado .....	8
8.0 Operación .....	8
8.1 Ajuste de inclinación .....	8
8.2 Procedimiento básico.....	8
9.0 Mantenimiento del usuario.....	8
9.1 Limpieza y reemplazo de filtros .....	8
9.2 Mantenimiento del generador de aniones.....	9
9.3 Servicio adicional .....	9
10.0 Resolución de problemas del sistema de filtración de aire electrostático PM1250 .....	11
11.0 Piezas de repuesto .....	12
11.1.1 Sistema de filtración de aire electrostático PM1250 – Lista de piezas .....	12
11.1.2 Sistema de filtro de aire electrostático PM1250 – Vista desarrollada .....	13
12.0 Conexiones eléctricas para la PM1250 .....	14
13.0 Garantía y servicio .....	15

## 3.0 Acerca de este manual

Powermatic proporciona este manual que cubre los procedimientos de operación y mantenimiento seguros para un sistema de filtración de aire electrostático PM1250 de Powermatic. Este manual contiene instrucciones sobre instalación, precauciones de seguridad, procedimientos de operación generales, instrucciones de mantenimiento y enumeración de piezas. Esta máquina se ha diseñado y construido para proporcionar una operación uniforme a largo plazo si se usa según las instrucciones establecidas en este documento.

Si desea hacer preguntas o comentarios, póngase en contacto con su proveedor local o Powermatic. Powermatic también puede visitarse en nuestro sitio web: [www.powermatic.com](http://www.powermatic.com).

Conserve este manual como referencia. Si la máquina cambia de dueño, el manual debe acompañarla.



**¡Lea y entienda todo el contenido de este manual antes de tratar de armar o hacer funcionar! ¡De no cumplir con esto se pueden producir lesiones graves!**

Registre su producto usando la tarjeta de correo proporcionada, o regístrese en línea:

<http://www.powermatic.com/us/en/service-and-support/product-registration/>

**El sistema de filtración de aire electrostático PM1250 está certificado por CARB para cumplir con el límite federal de emisiones de ozono.**

## 4.0 Especificaciones del sistema de filtración de aire electrostático PM1250

Tabla 1

Número de existencias		1791331	
Número de modelo		PM1250	
Velocidades del soplador		3	
Ajustes del temporizador (horas)		1, 2, 4, 8	
Potencia acústica a 1 m <sup>1</sup>	Velocidad alta	50.8 dBA ± 10%	
	Velocidad intermedia	45.0 dBA ± 10%	
	Velocidad baja	41.3 dBA ± 10%	
Flujo de aire con filtro <sup>1</sup>	Velocidad alta	1282 m <sup>3</sup> /h (754 pie <sup>3</sup> /m) ± 10%	
	Velocidad intermedia	965 m <sup>3</sup> /h (567 pie <sup>3</sup> /m) ± 10%	
	Velocidad baja	751 m <sup>3</sup> /h (441 pie <sup>3</sup> /m) ± 10%	
CADR (Relación de suministro de aire de limpio) <sup>1,2,3</sup>	Velocidad alta	Fumar	>450 pie <sup>3</sup> /m
		Polvo	>400 pie <sup>3</sup> /m
		Polen	>450 pie <sup>3</sup> /m
	Velocidad intermedia	Fumar	354.5 pie <sup>3</sup> /m
		Polvo	363.8 pie <sup>3</sup> /m
		Polen	389.3 pie <sup>3</sup> /m
	Velocidad baja	Fumar	247.1 pie <sup>3</sup> /m
		Polvo	250.6 pie <sup>3</sup> /m
		Polen	261.9 pie <sup>3</sup> /m
Grado de eficiencia de energía (E=CADR/potencia)	Velocidad alta	>13.2	
	Velocidad intermedia	20.8	
	Velocidad baja	23.2	
Motor (entrada)		35 W, CC 140 V/165 V	
Entrada eléctrica requerida		120 VCA, 60 Hz, 15 A	
Absorción de corriente <sup>1</sup>	Velocidad alta	29.7 W ± 10%	
	Velocidad intermedia	17.5 W ± 10%	
	Velocidad baja	10.6 W ± 10%	
Cordón y enchufe		SJT 18AWGx3C, 6 pies, 15A enchufe	
Demanda de amperios	Velocidad alta	0.31 A	
	Velocidad intermedia	0.19 A	
	Velocidad baja	0.13 A	
Diámetro del filtro		543 mm (21.3 pulg)	
Vida útil aproximada del filtro		3000 horas de operación	
Alerta de limpieza programada (indicador rojo intermitente)		1000 horas de operación	
Baterías de control remoto		(2) AAA	
Dimensiones generales, (P x A x H)		27 x 25-5/8 x 15 pulg (688 x 650 x 380)	
Dimensiones de envío, (L x A x H)		29 x 28-1/2 x 14 pulg (738 x 725 x 355 mm)	
Peso neto aproximado		38 lb (17.3 kg)	
Peso de envío aproximado		52 lb (23.6 kg)	

L = longitud, A = ancho, H = altura, P = profundidad

<sup>1</sup> Variable de ± 10%, para información general solamente, no debe ser considerada como parámetros fijos para fines de inspección.

<sup>2</sup> Las pruebas realizadas por un tercero independiente de acuerdo con ANSI / AHAM AC-1-2015 tituladas *Asociación de los fabricantes de electrodomésticos Método para medir el rendimiento de los limpiadores de aire de las habitaciones eléctricas portátiles de la casa.*

<sup>3</sup> De acuerdo con la regla 2/3 de AHAM, estos números son aplicables a una habitación de hasta 680 pies cuadrados para partículas suspendidas en el aire. Powermatic siempre recomienda el uso de un colector de polvo del tamaño adecuado junto con nuestros sistemas de filtración de aire.

Las especificaciones en este manual eran las actuales en el momento de la publicación, pero debido a nuestra política de mejora continua, Powermatic se reserva el derecho de cambiar las especificaciones en cualquier momento sin previo aviso y sin incurrir en obligaciones.

### 4.1 Configuración de agujeros de montaje PM1250

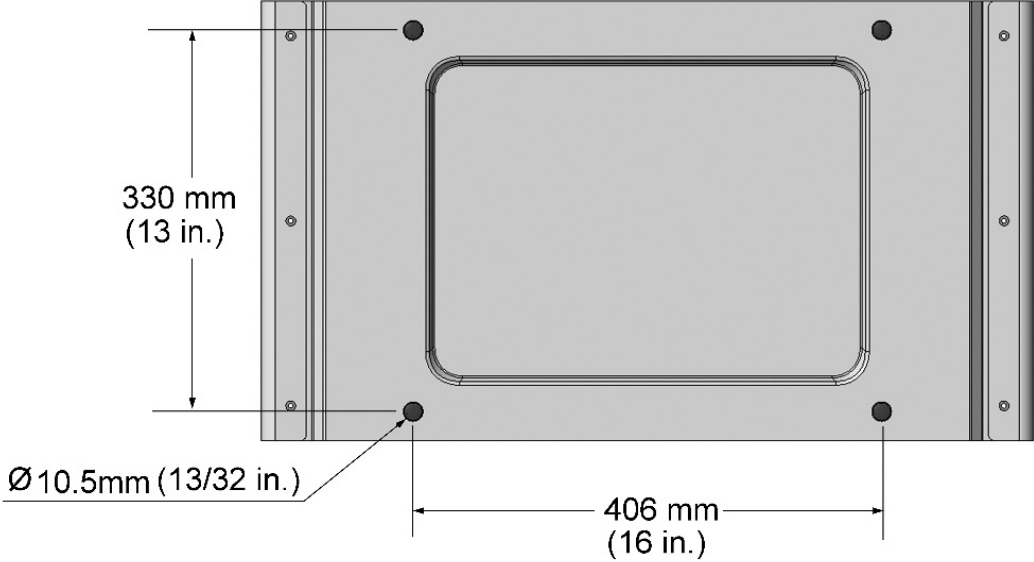


Figura 4-1

## 5.0 Conexiones eléctricas

**ADVERTENCIA** Las conexiones eléctricas deben ser efectuadas por un electricista capacitado en cumplimiento con todos los códigos pertinentes. De no cumplir con esto se pueden producir lesiones graves.

El sistema de filtración de aire electrostático PM1250 está precableado para corriente monofásica de 120 V. Tiene un enchufe diseñado para usar en un circuito con una toma de corriente puesta a tierra que se asemeja a la representada en la Figura 5-1.

Se recomienda conectar la PM1250 a un circuito especial de 21 A con un disyuntor o un fusible. Si se usan fusibles, deben ser de retardo marcados con un "D". Los códigos locales tienen prioridad con respecto a las recomendaciones.

**IMPORTANTE:** Esta unidad electrostática debe estar conectada eléctricamente a tierra para una operación apropiada, así como por razones de seguridad (vea abajo).

### 5.1 INSTRUCCIONES DE PUESTA A TIERRA

1. *Herramientas conectadas por cordón y puestas a tierra:*

Esta máquina debe estar puesta a tierra. En caso de funcionamiento erróneo o rotura, la puesta a tierra proporciona una ruta de resistencia mínima para la corriente eléctrica a fin de reducir el riesgo de una descarga eléctrica. Esta herramienta está equipada con un cordón eléctrico con un conductor de puesta a tierra del equipo y un enchufe de tierra. El enchufe debe enchufarse a una toma de corriente correspondiente debidamente instalada y puesta a tierra según todos los códigos y ordenanzas locales.

No modifique el enchufe proporcionado - si no encaja en la toma de corriente, pida a un electricista capacitado que instale la toma de corriente apropiada.

La conexión indebida del conductor de puesta a tierra del equipo puede provocar un riesgo de descarga eléctrica. El conductor con aislamiento que tenga una superficie exterior verde con o sin franjas amarillas es el conductor de tierra del equipo. Si es necesario reparar o reemplazar el cordón eléctrico o el enchufe, no conecte el conductor de puesta a tierra del equipo a un terminal con corriente.

**ADVERTENCIA** Compruebe con un electricista o un técnico de servicio capacitados si no entienden completamente las instrucciones de puesta a tierra, o en caso de duda si la herramienta está debidamente puesta a tierra. De no cumplir con esto se pueden causar lesiones graves o mortales.

Use solamente cordones de alargamiento trifilares que tengan enchufes de tierra tripolares y receptáculos tripolares que acepten el enchufe de la herramienta.

Repare o reemplace de inmediato el cordón dañado o desgastado.

2. *Las herramientas puestas a tierra conectadas con cordón diseñadas para usar en un circuito de suministro que tenga un valor nominal menor que 150 voltios:*

Esta herramienta sirve para ser usada en un circuito con una toma de corriente que se parece a la ilustrada en la Figura 5-1.



Figura 5-1

### 5.2 Cordones de alargamiento

Se desalienta el uso de cordones de alargamiento. Trate de colocar las máquinas al alcance de la fuente de alimentación. Si se debe usar un cordón de alargamiento, asegúrese de utilizar uno suficientemente grueso para transportar la corriente requerida por su producto. Un cordón de tamaño insuficiente causará una caída de voltaje, lo que producirá una pérdida de corriente y un recalentamiento. La Tabla 2 muestra el tamaño correcto dependiendo de la longitud del cordón y de los amperios nominales de la placa de identificación. En caso de duda, use el siguiente calibre más grueso. Cuanto más pequeño sea el número de calibre, más grueso será el cordón.

Amperios nominales		Voltios	Longitud total del cordón en pies			
Mayor que	No mayor que		120	25	50	100
			Calibre AWG			
0	6		18	16	16	14
6	10		18	16	14	12
10	12		16	16	14	12
12	16		14	12	No se recomienda	

Recomendaciones del cordón de alargamiento  
Tabla 2

## 6.0 Desembalaje

### 6.1 Contenido de envío

Abra las cajas de cartón de envío y compruebe que todas las piezas estén intactas. Informe sobre los daños o piezas que falten a su distribuidor. Observe que su unidad puede disponer de sujetadores adicionales. Lea completamente el manual de instrucciones para obtener las instrucciones de armado, mantenimiento y seguridad.

- 1 Unidad de filtración de aire
- 2 Placas laterales
- 1 Placa de base
- 1 Control remoto (baterías no incluidas)
- 2 Perillas
- 6 Tornillos de máquina de cabeza redondeada y arandelas de bloqueo M5x10
- 4 Almohadillas de caucho
- 1 Cepillo de limpieza
- 1 Manual de instrucciones de operación y piezas
- 1 Tarjeta de registro del producto

## 7.0 Armado

Arme la base de la unidad con tornillos y arandelas proporcionados, según se muestra en la Figura 8-1.

Para que la unidad de filtración sigue siendo portátil, oprima las cuatro almohadillas de caucho en los agujeros de montaje.

La unidad puede fijarse a una mesa, pared o techo haciendo uso de sujetadores apropiados (no incluidos) por cuatro agujeros de la base. Vea la configuración de los agujeros en la Figura 4-1. Se recomiendan sujetadores de 3/8" de diámetro. NOTA: Primero sujete la base armada a la estructura y después monte la unidad de filtración con las dos perillas.



**ADVERTENCIA** La estructura de las paredes o del techo debe ser capaz de soportar el peso de la unidad de filtración de aire y absorber las vibraciones procedentes de la unidad. Se deben usar sujetadores apropiados para fijar la estructura. De no cumplir con esto se pueden producir lesiones graves.

## 8.0 Operación

### 8.1 Ajuste de inclinación

Afloje las perillas laterales e incline el bastidor a cualquier posición. Vuelva a apretar las perillas.

Para obtener los mejores resultados, cuando la unidad esté montada en el techo coloque la parte delantera (lado del filtro) hacia abajo y cuando esté montada en una mesa coloque la parte delantera (lado del filtro) verticalmente.

### 8.2 Procedimiento básico

Consulte la Figura 8-2:

1. Enchufe la unidad. La luz indicadora de *encendido/apagado* brilla de color rojo en la modalidad de reserva.

2. Oprima el botón de *encendido* para arrancar la unidad. La luz indicadora de *velocidad* brilla verde, y se selecciona la velocidad predeterminada.
3. Oprima y suelte el botón *Velocidad* hasta que el indicador de velocidad sea verde.
4. Oprima el botón *Temporizador* hasta que el indicador del temporizador deseado sea verde. Si no se vuelve a oprimir el botón *Temporizador* durante 3 segundos, el indicador de tiempo seleccionado destellará múltiples veces y después permanecerá de color verde.
5. La unidad iniciará la cuenta atrás desde el tiempo correspondiente, y se apagará automáticamente en el momento de que transcurra el tiempo.

Ejemplo: El indicador 8H permanece verde cuando empieza a contar el tiempo; cambia a indicador 4H después de cuatro horas, después a indicador 2H después de otras dos horas, después a 1H, y por último la unidad se apagará y permanecerá en la condición de reserva.

Nota: Si no se usa la función del Temporizador, la unidad seguirá operando hasta que se oprima el botón de *Alimentación*.

Todas las funciones de arriba se pueden operar de forma remota. Vea la Figura 8-3. El control remoto usa radiofrecuencia, y por lo tanto no está limitado a la operación de la visual.

## 9.0 Mantenimiento del usuario

Las baterías deben cambiarse en el control remoto según sea necesario, particularmente si parece que la unidad no responde a la operación remota.

### 9.1 Limpieza y reemplazo de filtros

El filtro desechable está diseñado para aproximadamente 3000 horas de vida útil, dependiendo del ajuste de velocidad y el entorno de trabajo. Vea la Tabla 3.

Velocidad	Tiempo de operación	Vida útil aproximada consumida del filtro
Baja	1 hora	0.75 horas
Intermedia	1 hora	1 hora
Alta	1 hora	1.25 horas

Tabla 3

La vida útil del filtro puede prolongarse utilizando ocasionalmente una aspiradora o aire comprimido para limpiar el polvo. No obstante, se debe reemplazar el filtro sucio, ya que disminuirá la eficiencia de la unidad.



Limpie el filtro después de cada 1000 horas de operación, o con más frecuencia si es necesario. La unidad está programada para alertar al usuario después de 1000 horas; la luz indicadora roja destellará dos veces por segundo.

Después de 3000 horas de operación, se debe desechar el filtro y reemplazar por otro nuevo.

#### Para quitar el filtro:

1. Cuando la vida útil del filtro alcance el tiempo programado (1000 horas), la luz indicadora roja de *Reajuste* destellará dos veces por segundo.
2. Apague la unidad.



**PRECAUCIÓN:** El anillo metálico interno tiene una carga eléctrica durante la operación. Apague la unidad antes de tratar de quitar la cubierta.

3. Gire la cubierta hacia la izquierda y quítela, junto con el antefiltro. Vea la Figura 8-4.
4. Sujete el bastidor, y gire el filtro hacia la izquierda para girar.
5. Limpie el polvo del filtro con vacío o un cepillo de cerdas suaves. Sople el polvo de las áreas empotradas del filtro con un soplador de aire casero. Limpie también cualquier polvo residual del interior de la unidad.

#### Para instalar un filtro limpio o de repuesto:

6. Centre el filtro en el estator y gírelo hacia la derecha (aproximadamente 1/8 de vuelta) hasta que se enganche completamente. Sentirá un tope duro.
7. Instale la cubierta y gire hacia la derecha hasta que se enganche por completo. Un gráfico de bloqueo/desbloqueo está moldeado en los bordes izquierdo y derecho de la cubierta como guía. Nota: La presencia de un sensor impide que la unidad arranque si la cubierta no está debidamente instalada.

8. Enchufe la unidad. Destellará la luz indicadora roja de *Reajuste*.
9. Oprima sin soltar el botón de *alimentación* durante 5 segundos hasta que se apague la luz indicadora roja. Ahora se reajusta la vida útil del filtro.

## 9.2 Mantenimiento del generador de aniones

Retire el polvo regularmente del generador de aniones (es decir, cepillo de carbón) con el cepillo de limpieza proporcionado. Ver la Figura 9-1.



Figura 9-1

## 9.3 Servicio adicional

Un técnico de reparación autorizado debe realizar el servicio adicional.

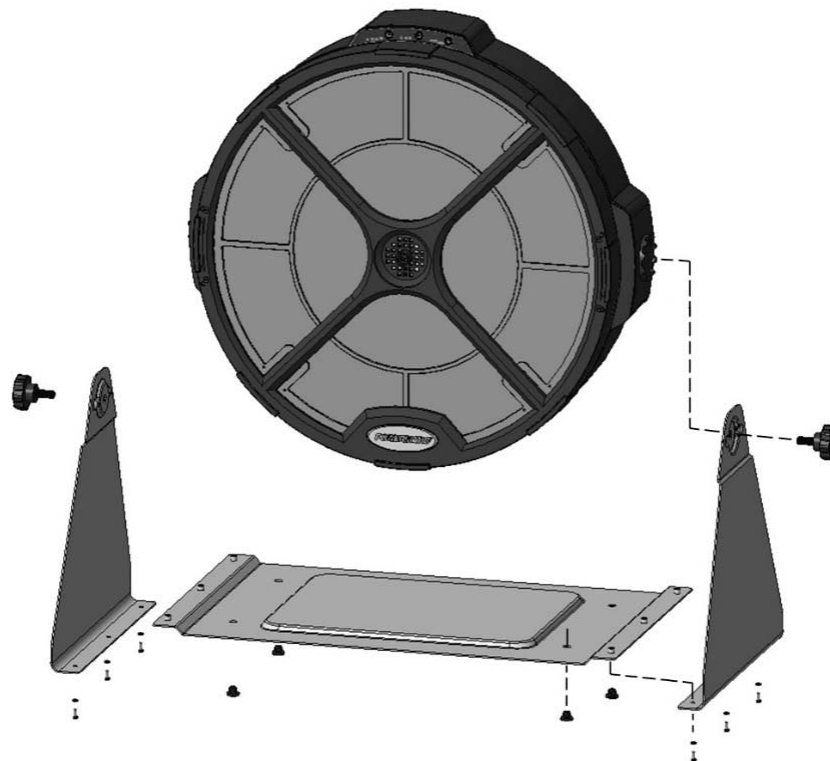


Figura 8-1: Armado

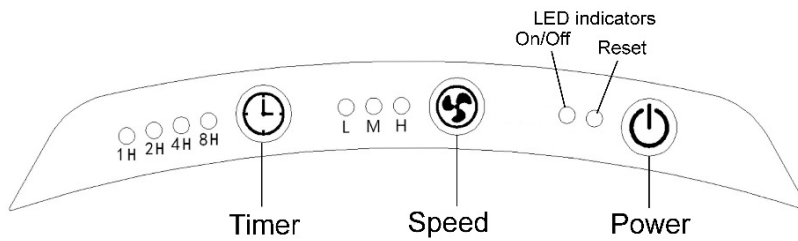


Figura 8-2: Controles

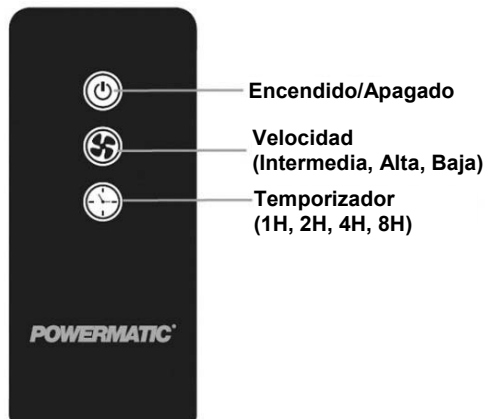


Figure 8-3: Control remoto

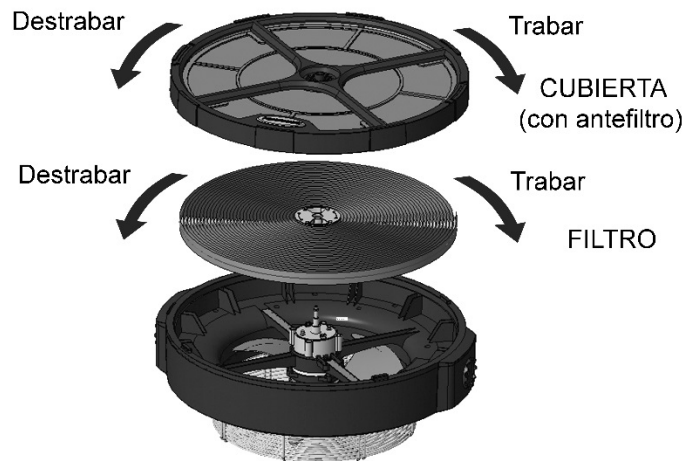


Figure 8-4: Reemplazo del filtro

## 10.0 Resolución de problemas del sistema de filtración de aire electrostático PM1250

Tabla 4

Síntoma	Causa probable	Solución*
La máquina no arranca.	No hay corriente de entrada.	Compruebe la conexión del enchufe.
	Cubierta mal instalada.	Vuelva a instalar la cubierta. Si está debidamente instalado, se iluminará una luz roja en el tablero de control.
	Bajo voltaje.	Solicite la comprobación de voltaje de la compañía eléctrica y corrija la condición de bajo voltaje.
	Cordón de alimentación dañado.	Reemplace el cordón.
	Funcionamiento defectuoso del botón de control o PCBA.	Póngase en contacto con el departamento de servicio al cliente de Powermatic.
Vibraciones excesivas	Afloje las piezas, las perillas o los sujetadores del bastidor.	Inspeccione y apriete según sea necesario.
	Desequilibrio del rodete.	Limpie el rodete (no use disolventes). Si se sigue produciendo el desequilibrio, reemplace el rodete.
	Desequilibrio del motor.	Haga que el motor sea probado por personal calificado; reemplace si es necesario.
La unidad no responde al control remoto.	Baterías débiles en control remoto.	Reemplace las baterías.
	Interferencias de radiofrecuencia.	Identifique las fuentes de interferencia y elimínelas, o reubique la unidad.
	Funcionamiento defectuoso del control remoto o del tablero de control remoto.	Póngase en contacto con el departamento de servicio al cliente de Powermatic.
La unidad no funciona de modo eficiente; no limpiar el aire.	El filtro no está debidamente instalado.	Reinstale el filtro; asegúrese de que esté girado completamente.
	Flujo de aire bloqueado.	Inspeccione el filtro; reemplace si está sucio. Aspire o sople el antefiltro y el polvo residual desde el interior de la unidad.
	La unidad no está conectada eléctricamente a tierra.	Compruebe la fuente de alimentación; asegúrese de que la puesta a tierra funcione.
Los controles de la unidad no están funcionando.	Funcionamiento defectuoso del botón de control o PCBA.	Póngase en contacto con el departamento de servicio al cliente de Powermatic.

\* **ADVERTENCIA:** Algunas soluciones pueden requerir los servicios de un electricista capacitado.

## 11.0 Piezas de repuesto

Para pedir piezas o comunicarse con nuestro departamento de servicio, llame al 1-800-274-6848 de lunes a viernes, de 8:00 de la mañana a 5:00 de la tarde, Hora Central. Tener el número de modelo y el número de serie de su máquina disponible cuando llame nos permitirá servirle de forma rápida y precisa.

Se pueden encontrar piezas no propietarias, como sujetadores, en ferreterías, o se pueden pedir a Powermatic.

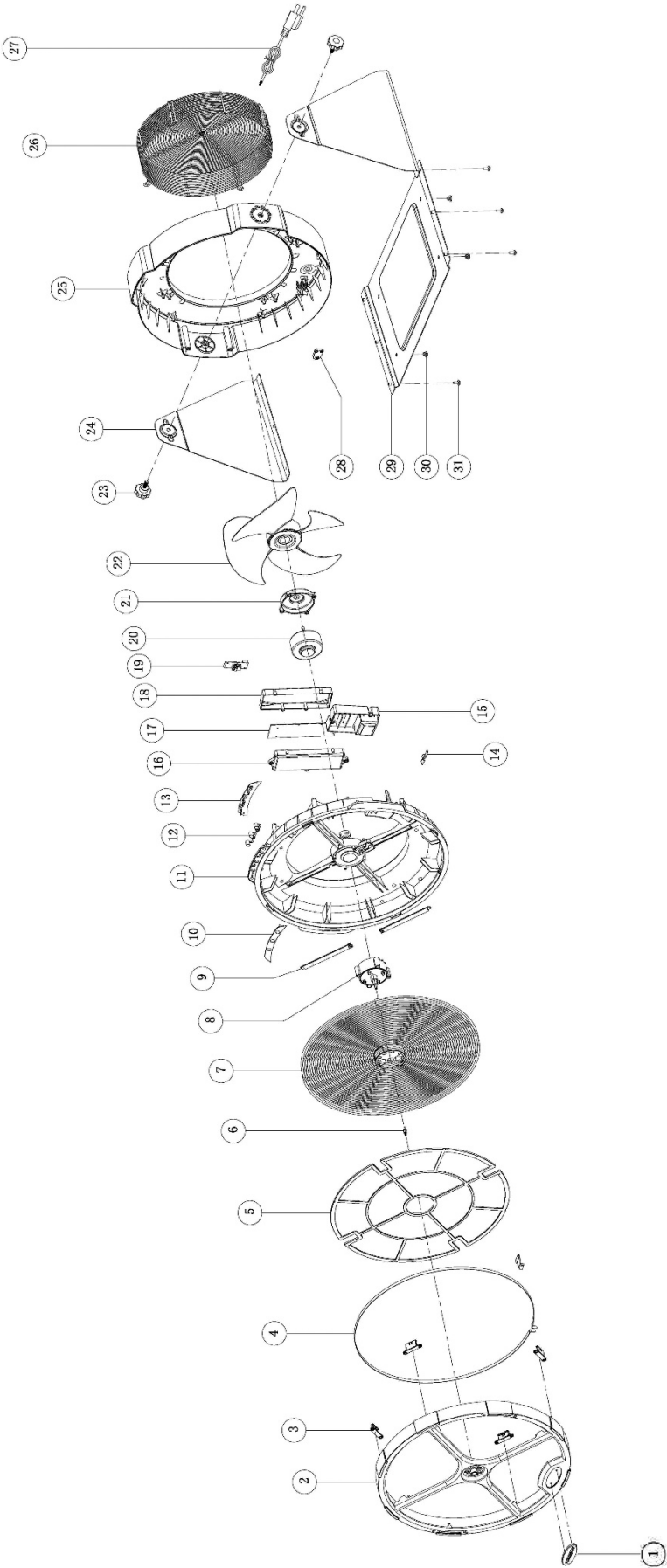
Algunas piezas se muestran como referencia solamente, y tal vez no estén disponibles individualmente.

### 11.1.1 Sistema de filtración de aire electrostático PM1250 – Lista de piezas

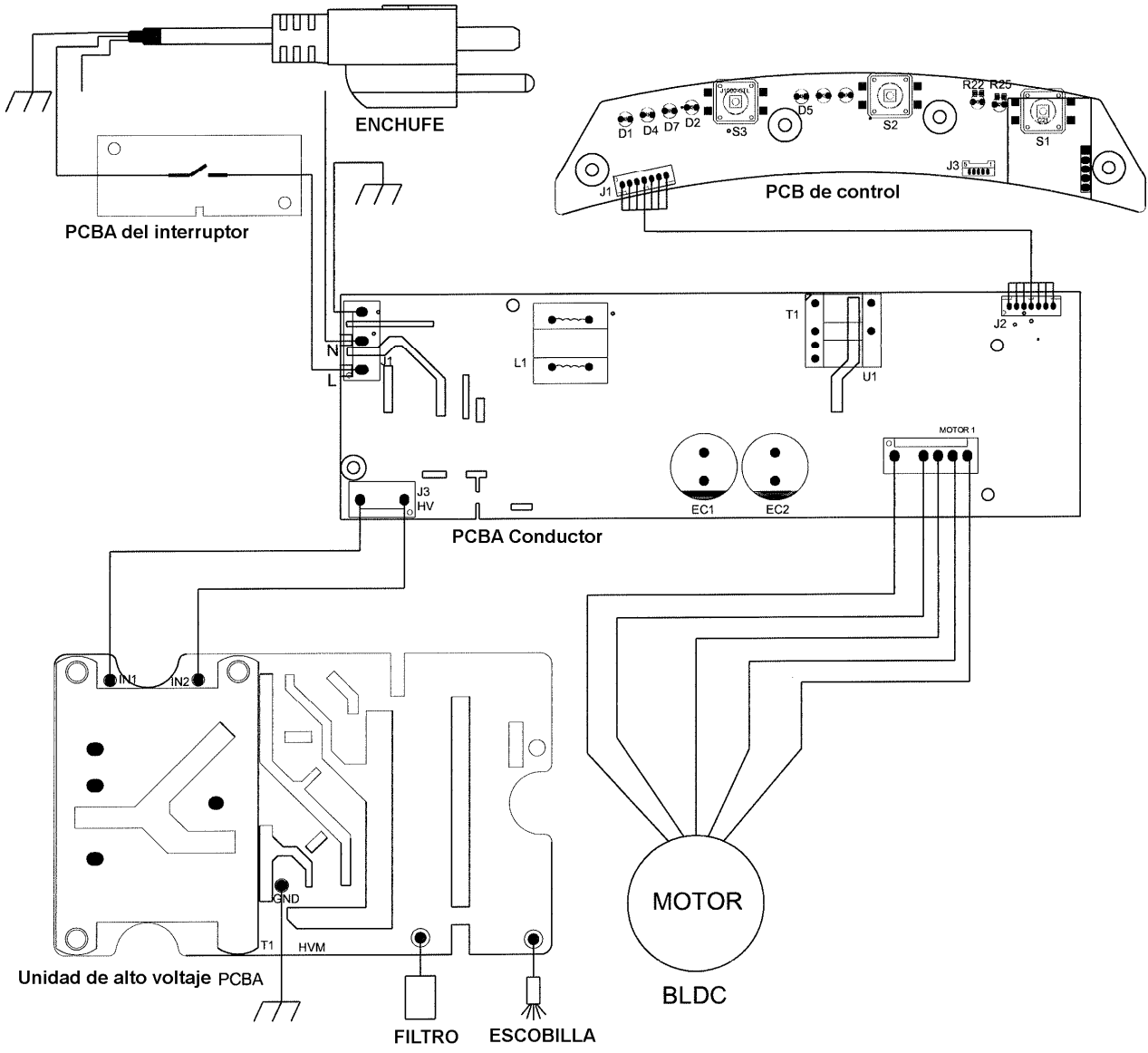
No. de índice	No. de pieza	Descripción	Tamaño	Cant.
1	2211-J1000-01	Logotipo de Powermatic	1-1/2" A x 3-7/8" L	1
2	2101-J1000-01	Cubierta		1
3	2112-J1000-01	Sujetador de la cubierta		4
4	2203-J1000-01	Anillo de metal		1
5	2111-J1000-01	Antefiltro		1
6	2501-J1000-01	Escobilla de carbón		1
7	1791332	Filtro		1
8	7201-J1000-02	Montaje del estator		1
9	2109-J1000-01	Cubierta del cordón		2
10	2115-J1000-01	Tablero de visualización		1
11	2102-J1000-01	Bastidor intermedio		1
12	2114-J1000-01	Conjunto de botones de control		1
13	1812-J1000-01	PCBA de control		1
14	2205-J1000-01	Conector de puesta a tierra		1
15	7201-J1000-01	Unidad de alto voltaje		1
16	2105-J1000-01	Caja eléctrica – Parte superior		1
17	1811-J1000-01	PCBA del eléctrica		1
18	2106-J1000-01	Caja eléctrica – Parte inferior		1
19	1813-J1000-02	PCBA del interruptor		1
20	1821-J1000-01	Motor	35 W CC 140 V/165 V	1
21	2110-J1000-01	Cubierta del motor		1
22	2107-J1000-01	Ventilador		1
23	2401-J1000-01	Perilla	M10x25 D = 60 mm	2
24	2202-J1000-01	Placa lateral		2
25	2103-J1000-01	Cubierta trasera		1
26	2204-J1000-01	Red		1
27	1801-J1000-02	Cordón de alimentación con enchufe	SJT 18AWGx3C	1
28	2108-J1000-01	Asidero del cordón		1
29	2201-J1000-01	Placa base		1
30	2118-J1000-01	Almohadilla de caucho *		4
31	3130-05010-01	Tornillo de máquina de cabeza Phillips y arandela de bloqueo * ..M5x10		6
33	4230-J1000-11	Etiqueta de identificación, PM1250 (no se muestra)		1
34	4230-J1000-13	Etiqueta de advertencia, PM1250 (no se muestra)		1
35	2502-J1000-01	Control remoto (no se muestra)		1
36	PM1250-36	Cepillo de limpieza (no se muestra)		1
		Baterías – compra local	AAA	2
	PM1250-HP	Paquete de hardware		

\* artículos incluidos en el paquete de hardware

11.1.2 Sistema de filtro de aire electrostático PM1250 – Vista desarrollada



# 12.0 Conexiones eléctricas para la PM1250



## 13.0 Garantía y servicio

Powermatic® garantiza que todos los productos que vende no tienen defectos de fabricante. Si una de nuestras herramientas necesita servicio o reparación, póngase en contacto con Servicio Técnico llamando al 1-800-274-6846, 8 de la mañana a 5 de la tarde, Hora Central, de lunes a viernes.

### Período de garantía

La garantía general dura el tiempo especificado en las publicaciones incluidas con su producto o en el sitio web oficial de la marca Powermatic.

- Los productos Powermatic tienen una garantía limitada cuya duración varía según el producto. (Vea la tabla siguiente)
- Los accesorios tienen una garantía limitada de un año después de la fecha de recepción.
- Los artículos fungibles se definen como piezas o accesorios prescindibles que se espera que no puedan operarse después de un uso razonable y están cubiertos por una garantía limitada de 90 días contra defectos del fabricante.

### Quién está cubierto

Esta garantía cubre solo al comprador inicial del producto a partir de la fecha de entrega.

### Qué está cubierto

Esta garantía cubre los defectos de fabricación o materiales sujetos a las limitaciones indicadas arriba. Esta garantía no cubre fallas debido directa o indirectamente a uso indebido, abuso, negligencia o accidentes, desgaste normal, reparación indebida, alteraciones o falta de mantenimiento. La maquinaria de carpintería de Powermatic está diseñada para utilizarse con madera. El empleo de estas máquinas en el procesamiento de metal, plástico u otros materiales fuera de las guías recomendadas puede anular la garantía. Las excepciones son artículos acrílicos y otros artículos naturales hechos específicamente para tornear madera.

### Limitaciones de la garantía

Los productos de carpintería con una garantía de cinco años que se usen para fines comerciales o industriales pasan de forma predeterminada a una garantía de dos años. Póngase en contacto con Servicio Técnico llamando al 1-800-274-6846 para obtener aclaraciones adicionales.

### Cómo obtener apoyo técnico

Póngase en contacto con Servicio Técnico llamando al 1-800-274-6846. **Observe que se le va a pedir que proporcione una prueba de comprar inicial al llamar.** Si un producto requiere una inspección adicional, el representante de Servicio Técnico le explicará y ayudará con cualquier acción adicional necesaria. Powermatic dispone de centros de servicio autorizados en todo Estados Unidos. Para obtener el nombre de un centro de servicio autorizado en su área, llame al 1-800-274-6846 o use el localizador de centros de servicio en el sitio web de Powermatic.

### Información adicional

Powermatic está añadiendo constantemente productos nuevos. Para obtener información completa y actualizada de un producto, pregunte a su distribuidor local o visite el sitio web Powermatic.

### Cómo se aplica la ley estatal

Esta garantía le da derechos legales específicos sujetos a la ley estatal correspondiente.

### Limitaciones de esta garantía

POWERMATIC LIMITA TODAS LA GARANTÍAS IMPLÍCITAS AL PERÍODO DE GARANTÍA LIMITADA POR CADA PRODUCTO. EXCEPTO SEGÚN SE INDICA AQUÍ, SE EXCLUYE CUALQUIER GARANTÍA IMPLÍCITA DE COMERCIALIZACIÓN E IDONEIDAD PARA UN CIERTO FIN. ALGUNOS ESTADOS NO PERMITEN LIMITACIONES SOBRE LA DURACIÓN DE LA GARANTÍA IMPLÍCITA, POR LO QUE LA LIMITACIÓN DE ARRIBA TAL VEZ NO CORRESPONDA A SU CASO.

POWERMATIC NO DEBE EN NINGÚN CASO SER RESPONSABLE DE LA MUERTE, DE LAS LESIONES DE PERSONAS O DE DAÑOS MATERIALES, O DAÑOS INCIDENTALES, CONTINGENTES, ESPECIALES O INDIRECTOS QUE SEA CONSECUENCIA DEL EMPLEO DE NUESTROS PRODUCTOS. ALGUNOS ESTADOS NO PERMITEN LA EXCLUSIÓN O LA LIMITACIÓN DE DAÑOS INCIDENTALES O INDIRECTOS, POR LO QUE LA LIMITACIÓN DE ARRIBA TAL VEZ NO SE APLIQUE A SU CASO.

Powermatic vende a través de distribuidores solamente. Las especificaciones indicadas en los materiales impresos de Powermatic y en el sitio web oficial de Powermatic se indican como información general y no son vinculantes. Powermatic se reserva el derecho de efectuar en cualquier momento, sin aviso previo, aquellas modificaciones en piezas, conexiones y equipos accesorios que puedan parecer necesarios por cualquier motivo.

### Lista de productos con período de garantía

90 días – Piezas; artículos de consumo
1 año – Motores, accesorios de máquina
2 años – Maquinaria de carpintería usada para fines industriales o comerciales
5 años – Maquinaria de carpintería

NOTA: Powermatic es una división de JPW Industries, Inc. Las referencias en este documento a Powermatic también se aplican a JPW Industries, Inc., o a cualquiera de sus sucesores que sean de interés para la marca Powermatic.

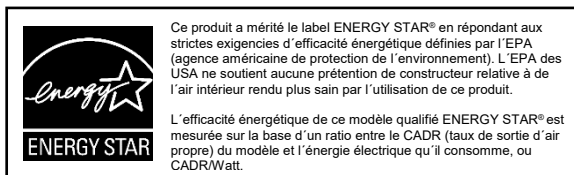


427 New Sanford Road LaVergne,  
Tennessee 37086  
Teléfono: 800-274-6848  
[www.powermatic.com](http://www.powermatic.com)



# POWERMATIC®

## Manuel d'instructions d'utilisation et de pièces Système de filtration d'air électrostatique Modèle PM1250



**Powermatic**  
427 New Sanford Road  
LaVergne, Tennessee 37086  
Tél. : 800-274-6848  
[www.powermatic.com](http://www.powermatic.com)

**Pièce no M-1791331**  
5e édition 08/2019  
Tous droits réservés © 2018 Powermatic



## 1.0 DIRECTIVES IMPORTANTES SUR LES MESURES DE SÉCURITÉ

Lors de l'utilisation d'un appareil électrique, les précautions de base doivent toujours être suivies, notamment les suivantes :

LIRE TOUTES LES INSTRUCTIONS AVANT D'UTILISER CET APPAREIL DE FILTRATION D'AIR.

### **AVERTISSEMENT – Pour réduire le risque d'incendie, d'électrocution ou de blessure :**

1. S'assurer de lire et de comprendre tout le manuel du propriétaire avant de tenter l'assemblage ou l'utilisation.
2. S'assurer de lire et de comprendre les avertissements apposés sur l'appareil et dans ce manuel. Le non-respect de tous ces avertissements peut causer des blessures graves.
3. S'assurer de lire et de comprendre les étiquettes d'avertissement si elles sont obscurcies ou retirées.
4. Ne pas utiliser cette machine en étant fatigué ou sous l'influence de drogues, d'alcool ou de tout médicament.
5. S'assurer que la machine est adéquatement mise à la terre.
6. Débrancher l'appareil de filtration de l'alimentation électrique (déconnecter) avant d'effectuer un entretien ou de remplacer des filtres.
7. Conserver les protections et les couvercles en place en tout temps quand la machine est en marche. Si elles sont retirées pour des raisons d'entretien, faire preuve d'une extrême prudence et remettre les protections immédiatement lorsque l'entretien est terminé.
8. Vérifier s'il y a des pièces endommagées. Avant d'utiliser la machine, une protection ou toute autre pièce ayant été endommagée devrait être vérifiée soigneusement afin de déterminer si elle pourra fonctionner adéquatement et exécuter ses fonctions prévues. Vérifier l'alignement des pièces mobiles, le coincement des pièces mobiles, le bris de pièces, le montage et toute autre condition qui pourrait affecter son fonctionnement. Une protection ou toute autre pièce qui est endommagée devrait être adéquatement réparée ou remplacée.
9. Faire de votre atelier un endroit sécuritaire pour les enfants avec des cadenas, des interrupteurs généraux ou en retirant les clés de sûreté.
10. Utiliser les accessoires recommandés; des accessoires inadéquats pourraient être dangereux.
11. Ne pas placer l'appareil sur une surface instable, ou là où il pourrait se renverser. Le renversement de l'appareil peut provoquer des blessures graves.
12. Ne pas utiliser cet appareil de filtration avec un câble ou une prise endommagés. Si l'appareil ne fonctionne pas comme il le devrait, s'il a été abandonné, endommagé, laissé à l'extérieur, ou s'il est tombé dans l'eau, le renvoyer dans un centre de service.
13. S'il est installé au plafond, le bas de l'appareil de filtration doit être à un minimum de 7 pieds du plancher.
14. S'il est installé au plafond, les supports doivent être ancrés dans la structure du bâtiment pour supporter le poids de l'appareil de filtration d'air. Ne jamais installer sur des surfaces comme des cloisons sèches ou des grilles de plafond suspendu.
15. Pour limiter le risque d'électrocution, ne pas exposer l'appareil de filtration à l'eau ou à la pluie.
16. Ne jamais faire passer de câble de machine directement à travers l'appareil de filtration d'air.
17. Pour éviter les situations potentiellement dangereuses, ne pas utiliser cet appareil pour filtrer de la fumée ou des vapeurs volatiles.
18. N'utilisez pas cet appareil dans des environnements très humides. Cela pourrait provoquer un choc électrique et / ou une diminution des performances de l'appareil.
19. Ne pas utiliser cet appareil pour filtrer des vapeurs inflammables. Cet appareil de filtration d'air est conçu et prévu uniquement pour la filtration des poussières en suspension dans l'air. Il n'est pas conçu ni prévu pour quelque autre fin que ce soit. S'il est utilisé à d'autres fins, Powermatic renonce à toute garantie réelle ou implicite et se dégage de toute responsabilité en cas de blessure résultant de cette utilisation.
20. Ce produit est conforme avec la concentration maximale permise d'ozone de 0,050 parties par million par volume (ppmv) pendant une période de 24 heures. La Ligne directrice (2010) de Santé Canada recommande un niveau maximal d'exposition, basé sur un moyen de 8 heures, soit 0,020 ppmv ou moins dans une chambre de teste étanchée et contrôlée de 30 m<sup>3</sup>.

**⚠ AVERTISSEMENT:** Ce produit peut vous exposer à des produits chimiques, y compris nickel qui est connu par l'État de Californie pour causer le cancer et le plomb qui est connu par l'État de Californie pour causer le cancer et des malformations congénitales ou d'autres problèmes de reproduction. Pour plus d'informations, visitez <http://www.p65warnings.ca.gov>.

**⚠ AVERTISSEMENT:** Forage, sciage, ponçage ou usinage de produits du bois génère de la poussière de bois et d'autres substances connues pour l'État de Californie pour causer le cancer. Évitez la poussière générée par l'inhalation de produits de bois ou d'utiliser un masque anti-poussière ou d'autres mesures de protection pour la protection personnelle.

Les produits du bois émettent des substances chimiques à l'État de Californie pour causer des malformations congénitales ou d'autres problèmes de reproduction. Para obtener más información, vaya a <http://www.p65warnings.ca.gov/wood>.

**Se familiariser avec les consignes de sécurité suivantes utilisées dans ce manuel :**



Cela signifie que si les précautions ne sont pas respectées, cela pourrait entraîner des blessures mineures et/ou des dommages éventuels de la machine.



Cela signifie que si les précautions ne sont pas respectées, cela pourrait entraîner des blessures graves ou possiblement fatales.

## 2.0 Table des matières

Section	Page
1.0 DIRECTIVES IMPORTANTES SUR LES MESURES DE SÉCURITÉ .....	2
2.0 Table des matières .....	4
3.0 À propos de ce manuel .....	4
4.0 Caractéristiques du SFA électrostatique PM1250 .....	5
4.1 Disposition des trous de fixation PM1250 .....	6
5.0 Connexions électriques.....	7
5.1 INSTRUCTIONS DE MISE À LA TERRE .....	7
5.2 Rallonges .....	7
6.0 Déballage .....	8
6.1 Contenu de l'expédition.....	8
7.0 Assemblage .....	8
8.0 Fonctionnement .....	8
8.1 Réglage de l'inclinaison .....	8
8.2 Procédure de base.....	8
9.0 Entretien par l'utilisateur .....	8
9.1 Nettoyage et remplacement du filtre .....	8
9.2 Entretien du générateur d'anions .....	9
9.3 Entretien supplémentaire .....	9
10.0 Dépannage du SFA électrostatique PM1250.....	11
11.0 Pièces de rechange .....	13
11.1.1 SFA électrostatique PM1250 – Liste de pièces .....	13
11.1.2 SFA électrostatique PM1250 – Liste de pièces .....	14
12.0 Connexions électriques pour PM1250.....	14
13.0 Garantie et entretien .....	15

## 3.0 À propos de ce manuel

Ce manuel est fourni par Powermatic, et couvre les procédures de fonctionnement et d'entretien sécuritaires pour un système de filtration d'air électrostatique PM1250. Ce manuel contient des instructions sur l'installation, les mesures de sécurité, les procédures générales d'utilisation, les instructions d'entretien et le détail des pièces. Votre machine a été conçue et construite pour assurer un fonctionnement constant et à long terme si elle est utilisée en conformité avec les instructions établies dans ce document.

Si vous avez des questions ou des commentaires, veuillez contacter votre fournisseur local ou Powermatic. Powermatic peut aussi être contacté sur notre site Web : [www.powermatic.com](http://www.powermatic.com).

Conserver ce manuel pour référence ultérieure. Si la machine change de propriétaire, le manuel devrait l'accompagner.



**AVERTISSEMENT** S'assurer de lire et de comprendre tout le contenu de ce manuel avant de tenter l'assemblage ou l'utilisation! Le non-respect des directives peut provoquer des blessures graves!

Enregistrer votre produit en utilisant la carte postale fournie, ou s'inscrire en

ligne : <http://www.powermatic.com/us/en/service-and-support/product-registration/>

Le système de filtration d'air électrostatique PM1250 est certifié CARB pour se conformer à la limite fédérale d'émissions d'ozone.

## 4.0 Caractéristiques du SFA électrostatique PM1250

Tableau 1

Numéro d'article		1791331	
Numéro du modèle		PM1250	
Vitesses du ventilateur		3	
Réglages de la minuterie (en heures)		1, 2, 4, 8	
Niveau de bruit à 1M <sup>1</sup>	Vitesse rapide	50,8 dBA ± 10 %	
	Vitesse moyenne	45,0 dBA ± 10 %	
	Vitesse lente	41,3 dBA ± 10 %	
Débit de l'air avec le filtre <sup>1</sup>	Vitesse rapide	1282 m <sup>3</sup> /h (754 pi <sup>3</sup> /min) ± 10 %	
	Vitesse moyenne	965 m <sup>3</sup> /h (567 pi <sup>3</sup> /min) ± 10 %	
	Vitesse lente	751 m <sup>3</sup> /h (441 pi <sup>3</sup> /min) ± 10 %	
Débit d'air purifié <sup>1,2,3</sup>	Vitesse rapide	Fumée	>450 cfm
		Poussière	>400 cfm
		Pollen	>450 cfm
	Vitesse moyenne	Fumée	354.5 cfm
		Poussière	363.8 cfm
		Pollen	389.3 cfm
	Vitesse lente	Fumée	247.1 cfm
		Poussière	250.6 cfm
		Pollen	261.9 cfm
Classe d'efficacité énergétique (E=CADR/Puissance)	Vitesse rapide	>13,2	
	Vitesse moyenne	20,8	
	Vitesse lente	23,2	
Moteur (entrée)		35 W, CC 140 V/165 V	
Entrée électrique requise		120 Vca, 60 Hz, 15 A	
Consommation de courant <sup>1</sup>	Vitesse rapide	29,7 W ± 10 %	
	Vitesse moyenne	17,5 W ± 10 %	
	Vitesse lente	10,6 W ± 10 %	
Câble et prise		Prise 15 A, 6 pi, SJT 18AWGx3C	
Courant tiré	Vitesse rapide	0,31 A	
	Vitesse moyenne	0,19 A	
	Vitesse lente	0,13 A	
Diamètre du filtre		543 mm (21,3 po)	
Durée de vie approximative du filtre		3000 heures de fonctionnement	
Alerte de nettoyage programmée (voyant clignotant rouge)		1000 heures de fonctionnement	
Piles de télécommande		(2) AAA	
Dimensions totales, l x H x P		27 x 25-5/8 x 15 po (688 x 650 x 380 mm)	
Dimensions à l'expédition, L x l x H		29 x 28-1/2 x 14 po (738 x 725 x 355 mm)	
Poids net, env.		38 lb (17.3 kg)	
Poids à l'expédition, env.		52 lb (23.6 kg)	

L = longueur, l = largeur, H = hauteur, P = profondeur

<sup>1</sup> Variable de ± 10 %, à titre indicatif uniquement, et ne doit pas être considéré comme un paramètre fixe lors des inspections.

<sup>2</sup> Les essais sont réalisés par un tiers indépendant conformément à la norme ANSI / AHAM AC-1-2015 intitulée *Association of Home Appliance Manufacturers Method pour la mesure de la performance des filtres à air pour pièces électriques portables domestiques*.

<sup>3</sup> Conformément à la règle 2/3 d'AHAM, ces chiffres s'appliquent à une pièce de jusqu'à 680 pi<sup>2</sup> pour les particules en suspension dans l'air. Powermatic recommande toujours d'utiliser un collecteur de poussière de taille appropriée en conjonction avec nos systèmes de filtration d'air.

Les spécifications dans ce manuel étaient en vigueur au moment de la publication, mais en raison de notre politique d'amélioration continue, Powermatic se réserve le droit de modifier les spécifications à tout moment, et ce sans préavis et sans obligation de sa part.

#### 4.1 Disposition des trous de fixation PM1250

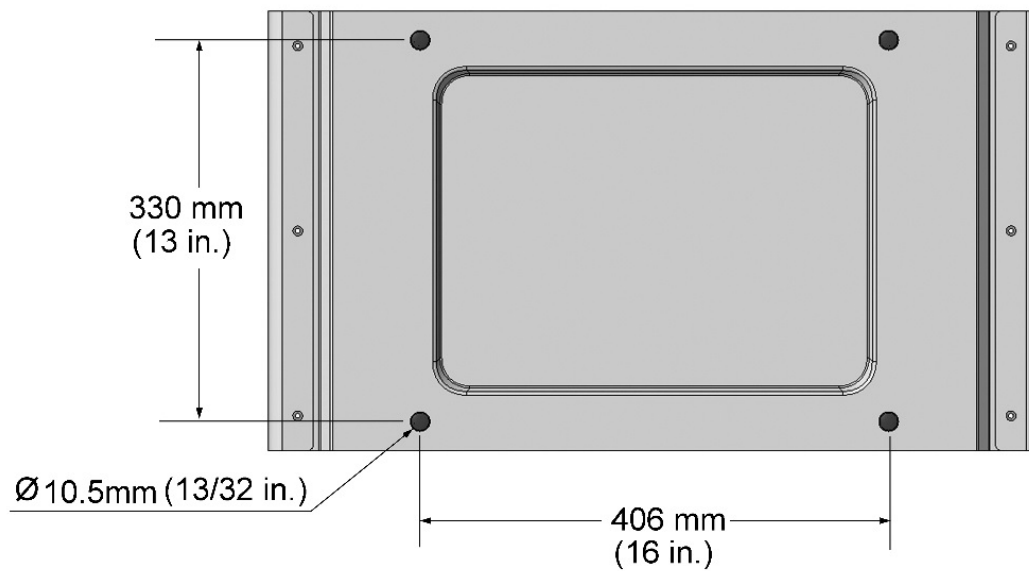


Figure 4-1

## 5.0 Connexions électriques

**AVERTISSEMENT** Les connexions électriques devraient être effectuées par un électricien qualifié conformément à tous les codes applicables. Le non-respect des présentes directives peut causer des blessures graves.

Le SFA électrostatique PM1250 est précâblé en 120 V monophasés. Il est fourni avec une prise conçue pour être utilisée sur un circuit avec une prise mise à la terre ressemblant à celui illustré à la Figure 5-1.

Il est recommandé que le PM1250 soit connecté à un circuit spécialisé de 10 ampères avec un disjoncteur ou un fusible. Avec des fusibles, ces derniers doivent être à fusion lente et marqués « D ». **Les codes locaux ont priorité sur les recommandations.**

**IMPORTANT :** Cet appareil électrostatique doit être mis à la terre pour fonctionner correctement, et pour des raisons de sécurité (voir ci-dessous).

### 5.1 INSTRUCTIONS DE MISE À LA TERRE

#### 1. Tous les outils câblés et mis à la terre :

Cette machine doit être mise à la terre. En cas de dysfonctionnement ou de panne, la mise à la terre fournira une résistance moindre au courant électrique, réduisant ainsi le risque d'électrocution. Cet outil est équipé d'un câble électrique avec un conducteur de terre pour l'équipement et une prise de mise à la terre. La prise doit être insérée dans une prise appropriée qui est installée et mise à la terre de manière appropriée et conformément à tous les codes et ordonnances locaux.

Ne pas modifier la prise fournie – si elle ne peut pas s'insérer dans la prise électrique, s'assurer de faire installer la bonne prise au mur par un électricien qualifié.

Une connexion inadéquate du conducteur de mise à la terre de l'équipement peut provoquer un risque d'électrocution. Le conducteur avec isolant ayant une surface extérieure verte avec ou sans rayures jaunes est l'équipement de mise à la terre du conducteur. Si la réparation ou le remplacement du câble ou de la prise électrique est nécessaire, ne pas connecter le conducteur de mise à la terre de l'équipement à une borne sous tension.

**AVERTISSEMENT** Vérifier auprès d'un électricien qualifié ou du personnel d'entretien si les instructions de mise à la terre ne sont pas parfaitement comprises, ou en cas de doutes sur la mise à la terre correcte de l'outil. Le non-respect des directives peut causer des blessures graves ou mortelles.

N'utiliser que des rallonges trifilaires qui ont une prise mise à la terre à 3 broches et une prise à 3 trous qui accepte la prise de l'outil.

Réparer ou remplacer immédiatement la rallonge endommagée ou usée.

2. Outils câblés et mis à la terre, destinés à être utilisés sur un circuit d'alimentation avec une tension nominale **inférieure à 150 volts** :

Cet outil est conçu pour être utilisé sur un circuit avec une prise qui ressemble à celle qui est illustrée dans la Figure 5-1.

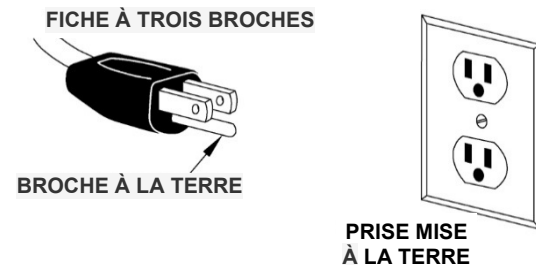


Figure 5-1

### 5.2 Rallonges

L'utilisation de rallonges est déconseillée. Il est plutôt préférable de positionner les machines près de la source d'alimentation. Quand une rallonge doit être utilisée, s'assurer d'en utiliser une qui soit assez robuste pour supporter le courant que votre produit nécessitera. Une rallonge qui est trop faible entraînera une baisse de tension qui causera une perte de puissance et la surchauffe de la machine. Le tableau 2 illustre la bonne taille à utiliser en fonction de la longueur de la rallonge et de l'intensité indiquée sur la plaque signalétique. Dans le doute, utiliser la jauge de calibre supérieur suivante. Plus le numéro de la jauge est petit, plus puissante est la rallonge.

Intensité		Volts	Longueur totale de la rallonge en pieds			
Plus de	Pas plus de	120	25	50	100	150
			AWG			
0	6		18	16	16	14
6	10		18	16	14	12
10	12		16	16	14	12
12	16		14	12	Non recommandé	

Tableau 2 : Recommandations pour la rallonge

## 6.0 Déballage

### 6.1 Contenu de l'expédition

Ouvrir les cartons d'expédition et vérifier que toutes les pièces sont intactes. Signaler tout dommage ou pièce manquante à votre distributeur. Il faut noter que l'appareil peut être fourni avec des attaches supplémentaires. Lire attentivement le manuel d'instructions pour le montage, l'alignement et les instructions d'entretien.

- 1 Appareil de filtration d'air
- 2 Plaques latérales
- 1 Socle
- 1 Télécommande (piles non incluses)
- 2 Boutons
- 6 Vis à métaux à tête cylindrique à dépouille  
rondelles de blocage M5x10
- 4 Coussinets en caoutchouc
- 1 Brosse de nettoyage
- 1 Manuel d'instructions d'utilisation et de pièces
- 1 Fiche d'enregistrement du produit

## 7.0 Assemblage

Assembler le socle de l'appareil avec les vis et les rondelles qui sont fournies, comme cela est illustré dans la Figure 8-1.

Si l'appareil de filtration doit rester portable, enfoncer les quatre coussinets en caoutchouc dans les trous de fixation.

L'appareil peut également être installé sur une table, un plafond ou un mur en passant les attaches appropriées (non fournies) dans les quatre trous du socle. Voir la Figure 4-1 pour la disposition des trous. Des attaches de 3/8 po de diamètre sont recommandées. REMARQUE : Fixer d'abord le socle assemblé à la structure, puis installer l'appareil de filtration avec les deux boutons.



**La structure du mur ou du plafond doit pouvoir supporter le poids de l'appareil de filtration d'air, et absorber les vibrations qui peuvent provenir de l'appareil. Des attaches adaptées doivent être utilisées pour fixer la structure. Le non-respect des présentes directives peut causer des blessures graves.**

## 8.0 Fonctionnement

### 8.1 Réglage de l'inclinaison

Desserrer les boutons sur les côtés et incliner le châssis dans la position voulue. Resserrer les boutons.

Pour obtenir de meilleurs résultats, quand l'appareil est installé au plafond, positionner l'avant (côté filtre) vers le bas; quand l'appareil est installé sur une table, positionner l'avant (côté filtre) verticalement.

### 8.2 Procédure de base

Voir la Figure 8-2.

1. Brancher l'appareil. Le voyant lumineux *on/off* (marche/arrêt) s'allume en rouge en mode veille.
2. Appuyer sur le bouton *Power* (Mise sous tension) pour démarrer l'appareil. Le voyant *Speed* (vitesse) s'allume en vert, et la vitesse par défaut est sélectionnée.
3. Enfoncer et relâcher le bouton *Speed* (vitesse) jusqu'à ce que le voyant de vitesse voulu soit vert.
4. Appuyer sur le bouton *Timer* (minuterie) jusqu'à ce que le voyant de minuterie voulu soit vert. Si le bouton *Timer* (minuterie) n'est pas à nouveau enfoncé pendant 3 secondes, le voyant sélectionné clignotera plusieurs fois, puis restera vert.
5. L'appareil fera un compte à rebours à partir de l'heure choisie et s'éteindra automatiquement à la fin.

Exemple : Le voyant 8H reste vert quand la minuterie commence; il passe au voyant 4H après quatre heures, puis au voyant 2H après deux heures encore, puis au 1H, et enfin l'appareil s'éteindra et restera en mode veille.

Remarque : Si la fonction de minuterie n'est pas utilisée, l'appareil continuera de fonctionner jusqu'à ce que son bouton *Power* (Mise sous tension) soit enfoncé.

Toutes les fonctions présentées ci-dessus peuvent être télécommandées. Voir la Figure 8-3. La télécommande utilise des fréquences radioélectriques, et peut donc être utilisée sans visibilité directe sur l'appareil.

## 9.0 Entretien par l'utilisateur

Ses piles doivent être remplacées le cas échéant, surtout si l'appareil ne répond pas à la télécommande.

### 9.1 Nettoyage et remplacement du filtre

Le filtre jetable est conçu pour durer environ 3000 heures, selon le réglage de la vitesse et de l'environnement de travail. Voir le Tableau 3.

Vitesse	Temps de fonctionnement	Durée de vie approximative
Lente	1 heure	0,75 heures
Moyenne	1 heure	1 heure
Rapide	1 heure	1,25 heures

Tableau 3

La durée de vie du filtre peut être prolongée en utilisant occasionnellement un aspirateur avalé-tout ou de l'air comprimé pour enlever la poussière. Par contre, un filtre sale devrait être remplacé, car il diminuera l'efficacité de l'appareil.



Nettoyer le filtre toutes les 1000 heures de fonctionnement, ou plus fréquemment si cela est nécessaire. L'appareil est programmé pour alerter l'utilisateur au bout de 1000 heures; le voyant rouge clignotera deux fois par seconde.

Après 3000 heures de fonctionnement, le filtre doit être mis au rebut et remplacé par un nouveau.

#### **Pour enlever le filtre :**

1. Lorsque le filtre atteint la durée programmée (1 000 heures), le voyant rouge *Reset* (réinitialisation) clignotera deux fois par seconde.
2. Éteindre l'appareil.



**ATTENTION : L'anneau métallique à l'intérieur transporte une charge électrique pendant le fonctionnement de l'appareil. Éteindre l'appareil avant de tenter de retirer le couvercle.**

3. Tourner le couvercle dans le sens antihoraire et le retirer avec le préfiltre. Voir la Figure 8-4.
4. Maintenir le châssis immobile et tourner le filtre dans le sens antihoraire pour le retirer.
5. Nettoyer la poussière du filtre avec un aspirateur ou une brosse à soie souple. Souffler la poussière dans les zones renfoncées du filtre en utilisant une souffleuse d'air domestique. Nettoyer aussi toute la poussière résiduelle dans l'appareil.

#### **Pour installer un filtre nettoyé ou un filtre de remplacement :**

6. Centrer le filtre sur le stator et le tourner dans le sens horaire (environ 1/8 de tour) jusqu'à ce qu'il s'enclenche complètement – vous sentirez une butée.
7. Installer le couvercle et le tourner dans le sens horaire jusqu'à ce qu'il s'enclenche complètement. Un graphique de verrouillage/déverrouillage est moulé dans les bords gauche et droit de la couverture comme guide. Remarque : Un capteur empêche l'appareil de démarrer si le couvercle n'est pas installé correctement.

8. Brancher l'appareil. Le voyant rouge *Reset* (réinitialisation) clignotera.
9. Appuyer sur le bouton *Power* (Mise sous tension) pendant 5 secondes jusqu'à ce que le voyant rouge s'éteigne. Le compteur de la durée de vie du filtre est maintenant réinitialisé.

## **9.2 Entretien du générateur d'anions**

Enlevez régulièrement la poussière du générateur d'anions (c'est-à-dire la brosse en carbone) avec la brosse de nettoyage fournie. Voir la figure 9-1.



*Figure 9-1*

## **9.3 Entretien supplémentaire**

Tout entretien supplémentaire doit être effectué par le personnel du service autorisé.

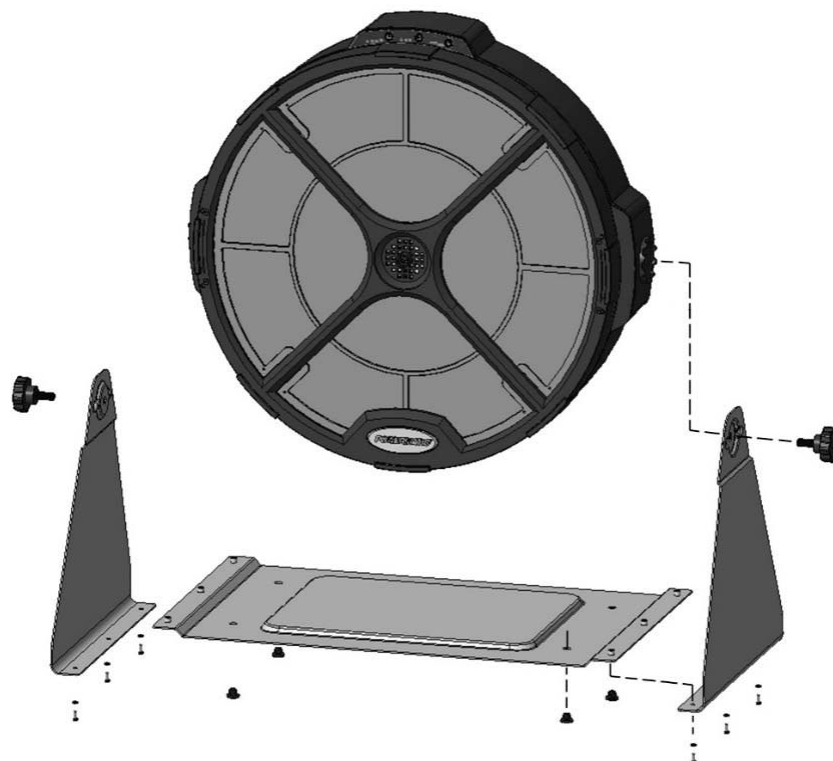


Figure 8-1 : Assemblage

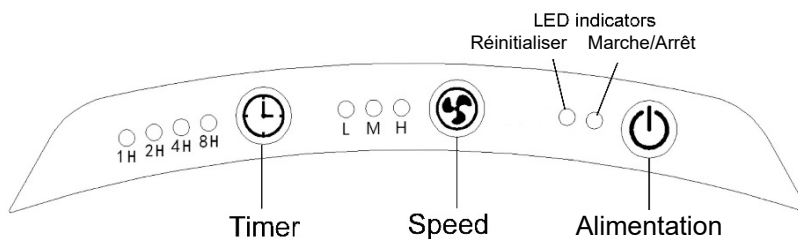


Figure 8-2 : Contrôles

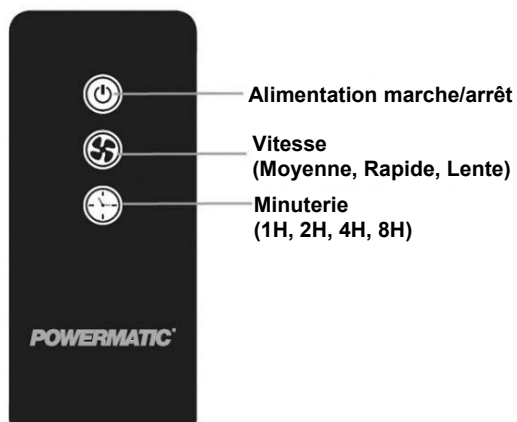


Figure 8-3: Télécommande

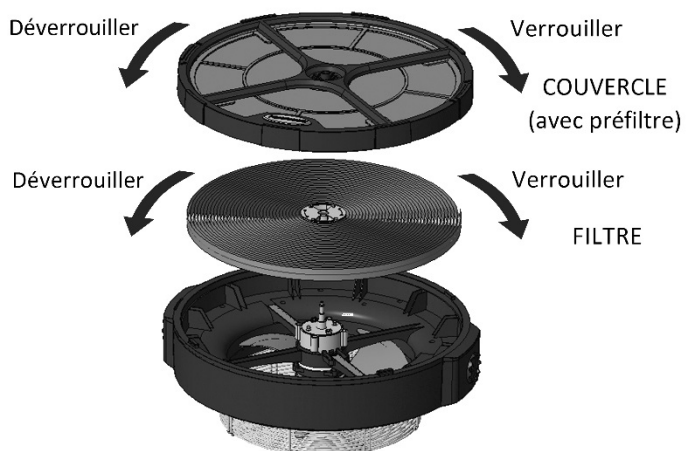


Figure 8-4: Remplacement du filtre

## 10.0 Dépannage du SFA électrostatique PM1250

Tableau 4

Symptôme	Cause possible	Solution*
La machine ne démarre pas.	Aucun courant entrant.	Vérifier les branchements des prises.
	Le couvercle est mal installé.	Réinstaller le couvercle. S'il est installé correctement, le voyant rouge s'allume sur le panneau de commande.
	Basse tension.	Demander à la compagnie d'électricité de vérifier la tension et de corriger la condition de basse tension.
	Câble d'alimentation endommagé.	Remplacer le câble.
	Problème avec le bouton de commande ou l'assemblage de la carte de circuit imprimé.	Contactez le service à la clientèle de Powermatic.
Vibrations trop importantes.	Des pièces du châssis, des boutons ou des attaches sont desserrés.	Inspecter et resserrer selon les besoins.
	Balourd dans la roue à aubes.	Nettoyer la roue à aubes (ne pas utiliser de solvants). Si le balourd persiste, remplacer la roue à aubes.
	Balourd du moteur.	Faire tester le moteur par du personnel qualifié; le remplacer si cela est nécessaire.
L'appareil ne répond pas à la télécommande.	Les piles de la télécommande sont usagées.	Remplacer les piles.
	Interférence sur les fréquences radioélectriques.	Identifier les sources de ces interférences et les éliminer, ou déplacer l'appareil.
	Problème avec le panneau de commande de la machine ou avec la télécommande.	Contactez le service à la clientèle de Powermatic.
L'appareil ne fonctionne pas efficacement; il ne nettoie pas l'air.	Le filtre n'est pas installé de manière appropriée.	Réinstaller le filtre; s'assurer qu'il est tourné complètement.
	La circulation de l'air est bloquée.	Inspecter le filtre; le remplacer s'il est sale. Souffler ou passer l'aspirateur dans le préfiltre et l'intérieur de l'appareil pour retirer la poussière.
	L'appareil n'est pas mis à la terre.	Vérifier l'alimentation électrique; s'assurer que la mise à la terre fonctionne.
Les commandes de l'appareil ne fonctionnent pas.	Problème avec le bouton de commande ou l'assemblage de la carte de circuit imprimé.	Contactez le service à la clientèle de Powermatic.

\* **AVERTISSEMENT** : Certaines solutions peuvent nécessiter la présence d'un électricien qualifié.

## 11.0 Pièces de rechange

Pour commander des pièces ou joindre notre service après-vente, composer le 1-800-274-6848 du lundi au vendredi, de 8 h à 17 h HNC. Préparer le numéro de modèle et le numéro de série de la machine avant l'appel nous permettra de vous répondre rapidement et de façon appropriée.

Les pièces non brevetées, comme les attaches, peuvent être trouvées dans des quincailleries locales, ou peuvent être commandées auprès de Powermatic.

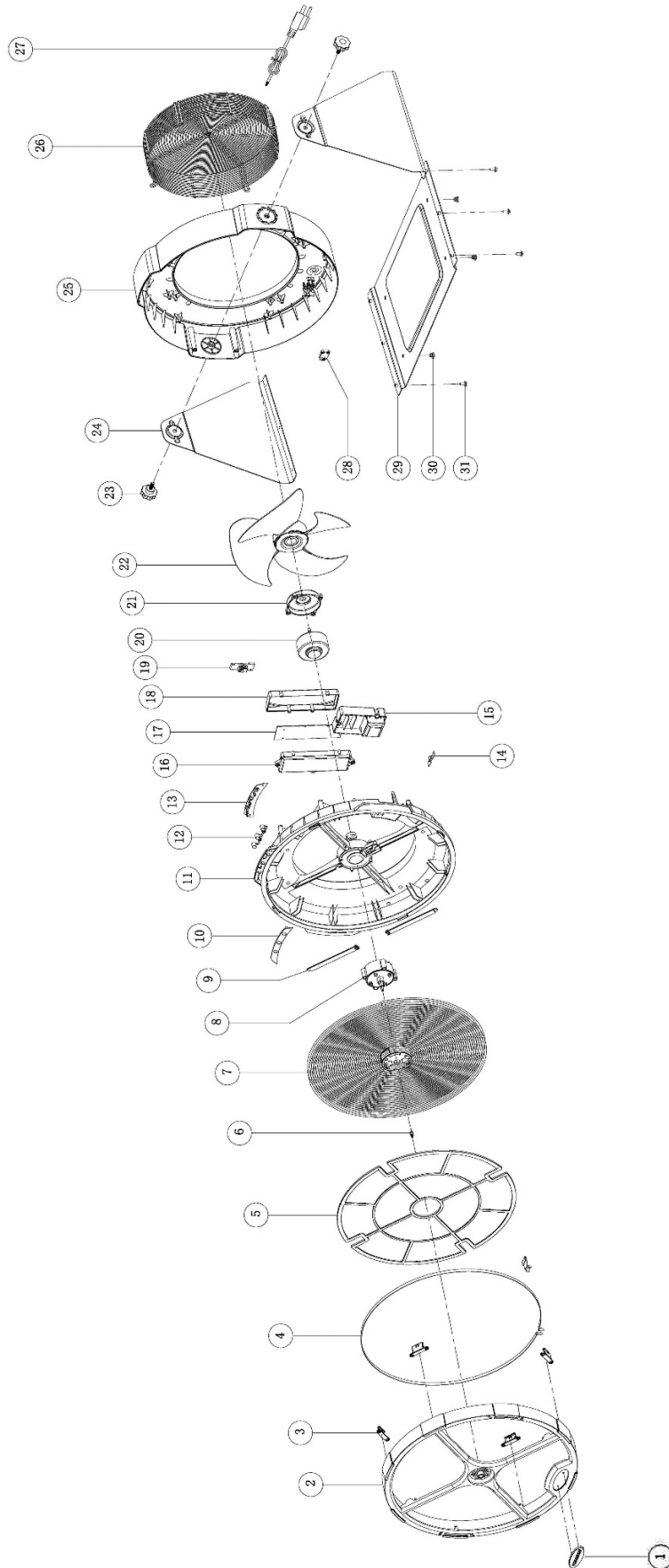
Certaines pièces sont illustrées uniquement à titre indicatif et peuvent ne pas être disponibles individuellement.

### 11.1.1 SFA électrostatique PM1250 – Liste de pièces

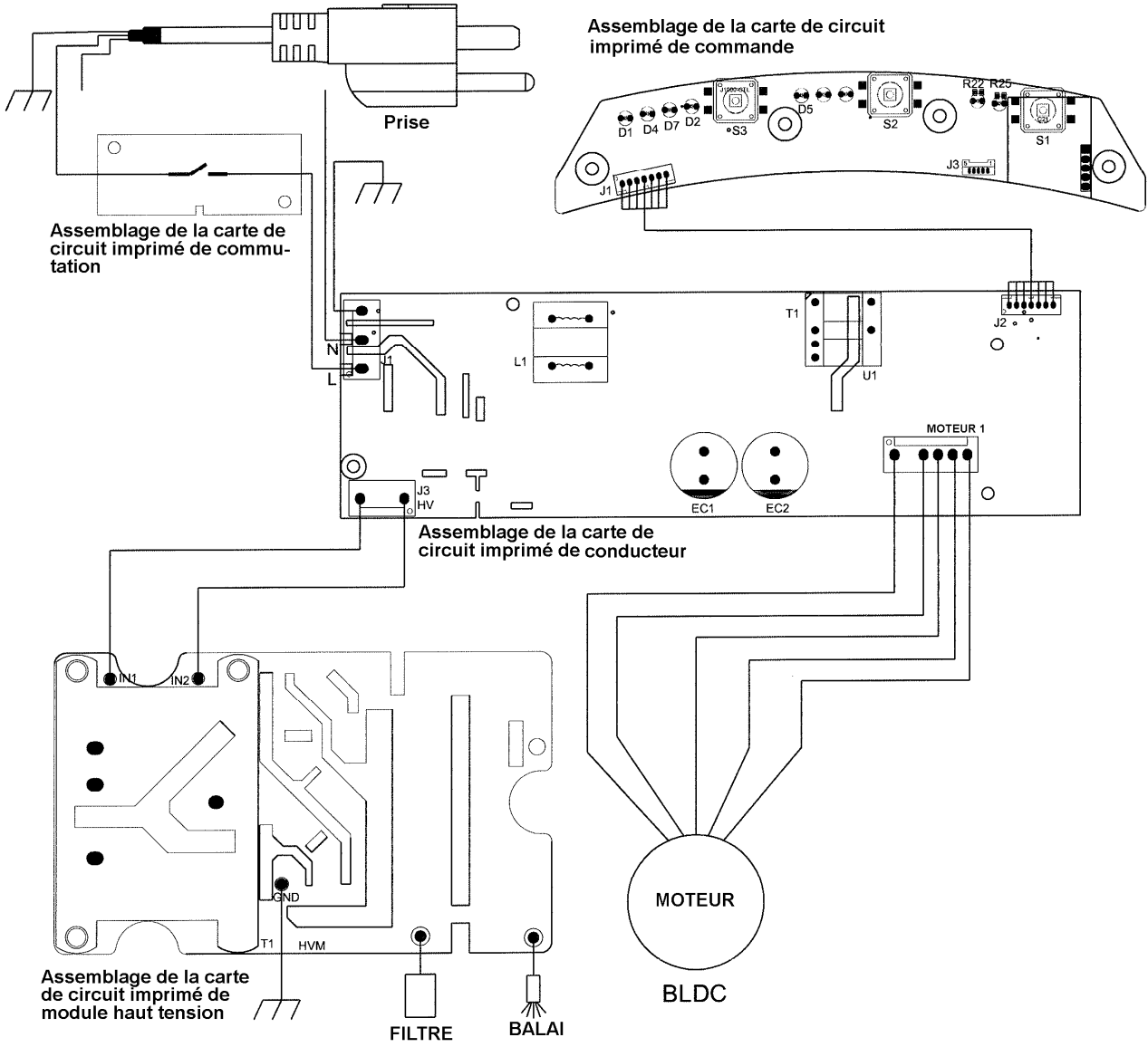
No d'Index	No des pièce	Description	Dimension	Qté
1	2211-J1000-01	Logo Powermatic	W100 x H36 mm	1
2	2101-J1000-01	Couvercle		1
3	2112-J1000-01	Attache de couvercle		4
4	2203-J1000-01	Anneau métallique		1
5	2111-J1000-01	Préfiltre		1
6	2501-J1000-01	Balai de carbone		1
7	1791332	Filtre		1
8	7201-J1000-02	Assemblage du stator		1
9	2109-J1000-01	Couvercle de câble		2
10	2115-J1000-01	Panneau d'affichage		1
11	2102-J1000-01	Châssis		1
12	2114-J1000-01	Ensemble de boutons de commande		1
13	1812-J1000-01	Assemblage de la carte de circuit imprimé de commande		1
14	2205-J1000-01	Connecteur de mise à la terre		1
15	7201-J1000-01	Appareil à haute tension		1
16	2105-J1000-01	Boîtier électrique – Dessus		1
17	1811-J1000-01	Assemblage de la carte de circuit imprimé de électrique		1
18	2106-J1000-01	Boîtier électrique – Dessous		1
19	1813-J1000-02	Assemblage de la carte de circuit imprimé de commutation		1
20	1821-J1000-01	Moteur	35 W CC 140 V/165 V	1
21	2110-J1000-01	Capot du moteur		1
22	2107-J1000-01	Ventilateur		1
23	2401-J1000-01	Bouton	M10x25 D = 60 mm	2
24	2202-J1000-01	Plaque latérale		2
25	2103-J1000-01	Couvercle arrière		1
26	2204-J1000-01	Filet		1
27	1801-J1000-02	Câble d'alimentation avec prise	SJT 18AWGx3C	1
28	2108-J1000-01	Réducteur de tension		1
29	2201-J1000-01	Socle		1
30	2118-J1000-01	Coussinet en caoutchouc *		4
31	3130-05010-01	Vis à métaux cruciforme à tête cylindrique à dépouille et rondelle de blocage* M5x10		6
33	4230-J1000-11	Étiquette I.D., PM1250 (non illustrée)		1
34	4230-J1000-13	Étiquette d'avertissement, PM1250 (non illustrée)		1
35	2502-J1000-01	Télécommande (non illustrée)		1
36	PM1250-36	Brosse de nettoyage (non illustrée)		1
		Piles – achat local	AAA	2
	PM1250-HP	Paquet de matériel		

\* articles inclus dans le paquet de matériel

## 11.1.2 SFA électrostatique PM1250 – Liste de pièces



# 12.0 Connexions électriques pour PM1250



## 13.0 Garantie et entretien

Powermatic<sup>MD</sup> garantit chaque produit vendu contre les défauts du fabricant. Si l'un de nos outils a besoin d'un entretien ou d'une réparation, veuillez contacter le service technique en composant le 1-800-274-6846, de 8 h à 17 h HNC, du lundi au vendredi.

### Période de garantie

La garantie générale reste en vigueur pour la période spécifiée dans les documents fournis avec votre produit ou sur le site Web marqué officiel de Powermatic.

- Les produits Powermatic ont une garantie limitée qui a une durée variable selon le produit. (Voir le tableau ci-dessous)
- Les accessoires ont une garantie limitée d'un an à compter de la date du reçu.
- Les articles consommables sont définis comme étant des pièces ou des accessoires remplaçables qui devraient devenir inutilisables dans un délai d'usure raisonnable, et qui sont couverts par une garantie limitée de 90 jours contre les défauts du fabricant.

### Qui est couvert

Cette garantie couvre uniquement l'acheteur initial du produit à compter de la date de livraison.

### Ce qui est couvert

Cette garantie couvre tout défaut de fabrication ou de matériaux soumis aux limitations indiquées ci-dessous. Cette garantie ne couvre pas les défaillances causées directement ou indirectement par une mauvaise utilisation, un abus, une négligence ou des accidents, une usure normale, une réparation inadéquate, des modifications ou un manque d'entretien. La machinerie de menuiserie de Powermatic est conçue pour être utilisée avec du bois. L'utilisation de ces machines dans la transformation du métal, de plastiques ou d'autres matériaux hors des lignes directrices pourrait annuler la garantie. Les exceptions sont les acryliques et les autres articles naturels spécialement conçus pour le tournage du bois.

### Limitations de la garantie

Les produits de travail du bois ayant une garantie de cinq ans qui sont utilisés à des fins commerciales ou industrielles verront leur garantie de cinq ans passer à deux ans par défaut. Veuillez communiquer avec le service technique au 1-800-274-6846 pour obtenir d'autres précisions.

### Comment obtenir du soutien technique

Veuillez communiquer avec le service technique en composant le 1-800-274-6846. **Veillez noter que vous devrez fournir la preuve de l'achat initial lorsque vous appellerez.** Si un produit nécessite une inspection plus poussée, le représentant du service technique vous expliquera et vous guidera pour toute autre action requise. Powermatic a des centres de service autorisés dans tous les États-Unis. Pour le nom d'un centre de service autorisé de votre région, composer le 1-800-274-6846 ou utiliser le service de localisation de centres de service sur le site Web de Powermatic.

### Plus d'informations

Powermatic ajoute constamment de nouveaux produits. Pour obtenir les informations complètes et des mises à jour sur le produit, consulter votre distributeur local ou visiter le site Web de Powermatic.

### Comment s'applique la loi de la Province

Cette garantie vous confère des droits légaux spécifiques, sous réserve de la loi de la province applicable.

### Limitations de cette garantie

POWERMATIC LIMITE TOUTE GARANTIE IMPLICITE DURANT LA PÉRIODE DE LA GARANTIE LIMITÉE POUR CHAQUE PRODUIT. SAUF EXPRESSÉMENT STIPULÉ AUX PRÉSENTES, TOUTE GARANTIE IMPLICITE DE QUALITÉ MARCHANDE OU D'ADAPTATION À DES FINS PARTICULIÈRES EST EXCLUE. CERTAINES PROVINCES N'AUTORISENT PAS LES LIMITATIONS DE DURÉE DE GARANTIE, DONC LA LIMITATION CI-DESSUS PEUT NE PAS S'APPLIQUER À VOUS.

POWERMATIC NE SERA EN AUCUN CAS TENUE RESPONSABLE DE DÉCÈS, DE BLESSURES OU DÉGÂTS MATÉRIELS OU DE DOMMAGES INDIRECTS, CONSÉCUTIFS, PARTICULIERS OU INDIRECTS ASSOCIÉS À L'USAGE DE NOS PRODUITS. CERTAINES PROVINCES N'AUTORISENT PAS L'EXCLUSION OU LA LIMITATION DES DOMMAGES ACCIDENTELS OU CONSÉCUTIFS, DONC LA LIMITATION OU L'EXCLUSION CI-DESSUS PEUT NE PAS S'APPLIQUER À VOUS.

Powermatic vend uniquement par l'intermédiaire de distributeurs. Les spécifications énumérées dans le matériel imprimé de Powermatic et sur le site Web officiel de Powermatic sont à titre indicatif et ne sont pas contractuelles. Powermatic se réserve le droit d'apporter ces modifications aux pièces, aux raccords et aux accessoires à tout moment, sans préavis, s'ils sont considérés comme nécessaires pour quelque raison que ce soit.

### Liste de produits avec période de garantie

90 jours – Pièces; articles de consommation
1 an – Moteur, accessoires de la machine
2 ans – Machinerie de menuiserie utilisée à des fins industrielles ou commerciales.
5 ans – Machinerie de menuiserie

REMARQUE : Powermatic est une division de JPW Industries, Inc. Tout ce qui se rapporte à Powermatic dans le présent document s'applique aussi à JPW Industries, Inc. ou à tout successeur ayant un intérêt dans la marque Powermatic.



427 New Sanford Road  
LaVergne, Tennessee 37086  
Téléphone : 800-274-6848  
[www.powermatic.com](http://www.powermatic.com)