



Operating Instructions and Parts Manual

ProShop II™ 10-inch Table Saw

Model JPS2-115, JPS2-230



shown with cast wings, 52" rail set, and extension table

for serial no. 18061009 and higher

JET
427 New Sanford Road
LaVergne, Tennessee 37086
Ph.: 800-274-6848
www.jettools.com

Part No. M-725000
Edition 3 11/2018
Copyright © 2018 JET



1.0 IMPORTANT SAFETY INSTRUCTIONS

WARNING: Read all safety warnings, instructions, illustrations and specifications provided with this power tool. *Failure to follow all instructions listed below may result in electric shock, fire and/or serious injury.*

Save all warnings and instructions for future reference.

1.1 General Safety Warnings

Work area safety

- **Keep work area clean and well lit.** Cluttered or dark areas invite accidents.
- **Do not operate power tools in explosive atmospheres, such as in the presence of flammable liquids, gases or dust.** Power tools create sparks which may ignite the dust or fumes.
- **Keep children and bystanders away while operating a power tool.** Distractions can cause you to lose control.

Electrical safety

- **Power tool plugs must match the outlet. Never modify the plug in any way. Do not use any adapter plugs with earthed (grounded) power tools.** Unmodified plugs and matching outlets will reduce risk of electric shock.
- **Avoid body contact with earthed or grounded surfaces, such as pipes, radiators, ranges and refrigerators.** There is an increased risk of electric shock if your body is earthed or grounded.
- **Do not expose power tools to rain or wet conditions.** Water entering a power tool will increase the risk of electric shock.
- **Do not abuse the cord. Never use the cord for carrying, pulling or unplugging the power tool. Keep cord away from heat, oil, sharp edges or moving parts.** Damaged or entangled cords increase the risk of electric shock.
- **When operating a power tool outdoors, use an extension cord suitable for outdoor use.** Use of a cord suitable for outdoor use reduces the risk of electric shock.
- **If operating a power tool in a damp location is unavoidable, use a GFCI (ground fault circuit interruptor) protected supply.** Use of a GFCI reduces the risk of electric shock.

Personal safety

- **Stay alert, watch what you are doing and use common sense when operating a power tool. Do not use a power tool while you are tired or under the influence of drugs, alcohol or medication.** A moment of inattention while operating power tools may result in serious personal injury.
- **Use personal protective equipment. Always wear eye protection.** Protective equipment such as dust mask, non-skid safety shoes, hard hat, or hearing protection used for appropriate conditions will reduce personal injuries.
- **Prevent unintentional starting. Ensure the switch is in the off-position before connecting to power source and/or battery pack, picking up or carrying the tool.** Carrying power tools with your finger on the switch or energising power tools that have the switch on invites accidents.
- **Remove any adjusting key or wrench before turning the power tool on.** A wrench or a key left attached to a rotating part of the power tool may result in personal injury.
- **Do not overreach. Keep proper footing and balance at all times.** This enables better control of the power tool in unexpected situations.
- **Dress properly. Do not wear loose clothing or jewelry. Keep your hair, clothing and gloves away from moving parts.** Loose clothes, jewelry or long hair can be caught in moving parts.
- **If devices are provided for the connection of dust extraction and collection facilities, ensure these are connected and properly used.** Use of dust collection can reduce dust-related hazards.
- **Do not let familiarity gained from frequent use of tools allow you to become complacent and ignore tool safety principles.** A careless action can cause severe injury within a fraction of a second.

Power tool use and care

- **Do not force the power tool. Use the correct power tool for your application.** The correct power tool will do the job better and safer at the rate for which it was designed.
- **Do not use the power tool if the switch does not turn it on and off.** Any power tool that cannot be controlled with the switch is dangerous and must be repaired.
- **Disconnect the plug from the power source and/or remove the battery pack, if detachable, from the power tool before making any adjustments, changing accessories, or storing power tools.** Such preventive safety measures reduce the risk of starting the power tool accidentally.

- **Store idle power tools out of the reach of children and do not allow persons unfamiliar with the power tool or these instructions to operate the power tool.** Power tools are dangerous in the hands of untrained users.
- **Maintain power tools and accessories. Check for misalignment or binding of moving parts, breakage of parts and any other condition that may affect the power tool's operation. If damaged, have the power tool repaired before use.** Many accidents are caused by poorly maintained power tools.
- **Keep cutting tools sharp and clean.** Properly maintained cutting tools with sharp cutting edges are less likely to bind and are easier to control.
- **Use the power tool, accessories and tool bits etc. in accordance with these instructions, taking into account the working conditions and the work to be performed.** Use of the power tool for operations different from those intended could result in a hazardous situation.
- **Keep handles and grasping surfaces dry, clean and free from oil and grease.** Slippery handles and grasping surfaces do not allow for safe handling and control of the tool in unexpected situations.

Service

- **Have your power tool serviced by a qualified repair person using only identical replacement parts.** This will ensure that the safety of the power tool is maintained.

1.2 Specific Safety Warnings for Table Saws

Guarding related warnings

- **Keep guards in place. Guards must be in working order and be properly mounted.** A guard that is loose, damaged, or is not functioning correctly must be repaired or replaced.
- **Always use saw blade guard, riving knife and anti-kickback pawls for every through-cutting operation.** For through-cutting operations where the saw blade cuts completely through the thickness of the workpiece, the guard and other safety devices help reduce the risk of injury.
- **Immediately reattach the guarding system after completing an operation (such as rabbeting, dadoing or resawing cuts) which requires removal of the guard, riving knife and/or anti-kickback pawls.** The guard, riving knife, and anti-kickback pawls help to reduce the risk of injury.
- **Make sure the saw blade is not contacting the guard, riving knife or the workpiece before the switch is turned on.** Inadvertent contact of these items with the saw blade could cause a hazardous condition.
- **Adjust the riving knife as described in this instruction manual.** Incorrect spacing, positioning and alignment can make the riving knife ineffective in reducing the likelihood of kickback.
- **For the riving knife and anti-kickback pawls to work, they must be engaged in the workpiece.** The riving knife and anti-kickback pawls are ineffective when cutting workpieces that are too short to be engaged with the riving knife and anti-kickback pawls. Under these conditions a kickback cannot be prevented by the riving knife and anti-kickback pawls.
- **Use the appropriate saw blade for the riving knife.** For the riving knife to function properly, the saw blade diameter must match the appropriate riving knife and the body of the saw blade must be thinner than the thickness of the riving knife and the cutting width of the saw blade must be wider than the thickness of the riving knife.

Cutting procedures warnings

- **DANGER: Never place your fingers or hands in the vicinity or in line with the saw blade.** A moment of inattention or a slip could direct your hand towards the saw blade and result in serious personal injury.
- **Feed the workpiece into the saw blade or cutter only against the direction of rotation.** Feeding the workpiece in the same direction that the saw blade is rotating above the table may result in the workpiece, and your hand, being pulled into the saw blade.
- **Never use the miter gauge to feed the workpiece when ripping and do not use the rip fence as a length stop when cross cutting with the miter gauge.** Guiding the workpiece with the rip fence and the miter gauge at the same time increases the likelihood of saw blade binding and kickback.
- **When ripping, always apply the workpiece feeding force between the fence and the saw blade. Use a push stick when the distance between the fence and the saw blade is less than 150 mm (6 in.), and use a push block when this distance is less than 50 mm (2 in.).** "Work helping" devices will keep your hand at a safe distance from the saw blade.
- **Use only the push stick provided by the manufacturer or constructed in accordance with the instructions.** This push stick provides sufficient distance of the hand from the saw blade.
- **Never use a damaged or cut push stick.** A damaged push stick may break causing your hand to slip into the saw blade.
- **Do not perform any operation "freehand". Always use either the rip fence or the miter gauge to position and guide the workpiece.** "Freehand" means using your hands to support or guide the workpiece, in lieu of a rip fence or mitre gauge. Freehand sawing leads to misalignment, binding and kickback.

- **Never reach around or over a rotating saw blade.** Reaching for a workpiece may lead to accidental contact with the moving saw blade.
- **Provide auxiliary workpiece support to the rear and/or sides of the saw table for long and/or wide workpieces to keep them level.** A long and/or wide workpiece has a tendency to pivot on the table's edge, causing loss of control, saw blade binding and kickback.
- **Feed workpiece at an even pace. Do not bend or twist the workpiece. If jamming occurs, turn the tool off immediately, unplug the tool then clear the jam.** Jamming the saw blade by the workpiece can cause kickback or stall the motor.
- **Do not remove pieces of cut-off material while the saw is running.** The material may become trapped between the fence or inside the saw blade guard and the saw blade pulling your fingers into the saw blade. Turn the saw off and wait until the saw blade stops before removing material.
- **Use an auxiliary fence in contact with the table top when ripping workpieces less than 2 mm thick.** A thin workpiece may wedge under the rip fence and create a kickback.

Kickback causes and related warnings

Kickback is a sudden reaction of the workpiece due to a pinched, jammed saw blade or misaligned line of cut in the workpiece with respect to the saw blade or when a part of the workpiece binds between the saw blade and the rip fence or other fixed object.

Most frequently during kickback, the workpiece is lifted from the table by the rear portion of the saw blade and is propelled towards the operator.

Kickback is the result of saw misuse and/or incorrect operating procedures or conditions and can be avoided by taking proper precautions as given below.

- **Never stand directly in line with the saw blade. Always position your body on the same side of the saw blade as the fence.** Kickback may propel the workpiece at high velocity towards anyone standing in front and in line with the saw blade.
- **Never reach over or in back of the saw blade to pull or to support the workpiece.** Accidental contact with the saw blade may occur or kickback may drag your fingers into the saw blade.
- **Never hold and press the workpiece that is being cut off against the rotating saw blade.** Pressing the workpiece being cut off against the saw blade will create a binding condition and kickback.
- **Align the fence to be parallel with the saw blade.** A misaligned fence will pinch the workpiece against the saw blade and create kickback.
- **Use a featherboard to guide the workpiece against the table and fence when making non-through cuts such as rabbeting, dadoing or**

resawing cuts. A featherboard helps to control the workpiece in the event of a kickback.

- **Use extra caution when making a cut into blind areas of assembled workpieces.** The protruding saw blade may cut objects that can cause kickback.
- **Support large panels to minimize the risk of saw blade pinching and kickback.** Large panels tend to sag under their own weight. Support(s) must be placed under all portions of the panel overhanging the table top.
- **Use extra caution when cutting a workpiece that is twisted, knotted, warped or does not have a straight edge to guide it with a miter gauge or along the fence.** A warped, knotted, or twisted workpiece is unstable and causes misalignment of the kerf with the saw blade, binding and kickback.
- **Never cut more than one workpiece, stacked vertically or horizontally.** The saw blade could pick up one or more pieces and cause kickback.
- **When restarting the saw with the saw blade in the workpiece, center the saw blade in the kerf so that the saw teeth are not engaged in the material.** If the saw blade binds, it may lift up the workpiece and cause kickback when the saw is restarted.
- **Keep saw blades clean, sharp, and with sufficient set. Never use warped saw blades or saw blades with cracked or broken teeth.** Sharp and properly set saw blades minimize binding, stalling and kickback.

Table saw operating procedure warnings

- **Turn off the table saw and disconnect the power cord when removing the table insert, changing the saw blade or making adjustments to the riving knife, anti-kickback pawls or saw blade guard, and when the machine is left unattended.** Precautionary measures will avoid accidents.
- **Never leave the table saw running unattended. Turn it off and don't leave the tool until it comes to a complete stop.** An unattended running saw is an uncontrolled hazard.
- **Locate the table saw in a well-lit and level area where you can maintain good footing and balance. It should be installed in an area that provides enough room to easily handle the size of your workpiece.** Cramped, dark areas, and uneven slippery floors invite accidents.
- **Frequently clean and remove sawdust from under the saw table and/or the dust collection device.** Accumulated sawdust is combustible and may self-ignite.
- **The table saw must be secured.** A table saw that is not properly secured may move or tip over.
- **Remove tools, wood scraps, etc. from the table before the table saw is turned on.** Distraction or a potential jam can be dangerous.

- **Always use saw blades with correct size and shape (diamond versus round) of arbor holes.** Saw blades that do not match the mounting hardware of the saw will run off-center, causing loss of control.
- **Never use damaged or incorrect saw blade mounting means such as flanges, saw blade washers, bolts or nuts.** These mounting means were specially designed for your saw, for safe operation and optimum performance.
- **Never stand on the table saw, do not use it as a stepping stool.** Serious injury could occur if the tool is tipped or if the cutting tool is accidentally contacted.
- **Make sure that the saw blade is installed to rotate in the proper direction. Do not use grinding wheels, wire brushes, or abrasive wheels on a table saw.** Improper saw blade installation or use of accessories not recommended may cause serious injury.

Additional safety rules

- This table saw is designed and intended for use by properly trained and experienced personnel only. If you are not familiar with the proper and safe operation of a table saw, do not use until proper training and knowledge have been obtained.

- Do not use this table saw for other than its intended use. If used for other purposes, JET disclaims any real or implied warranty and holds itself harmless from any injury that may result from that use.
- Do not wear gloves when operating a table saw.
- Blade should have minimum exposure during cuts. Adjust blade to approximately 1/8" inch above surface of workpiece.

⚠ WARNING: This product can expose you to chemicals including lead which is known to the State of California to cause cancer and birth defects or other reproductive harm. For more information go to <http://www.p65warnings.ca.gov>.

⚠ WARNING: Drilling, sawing, sanding or machining wood products generates wood dust and other substances known to the State of California to cause cancer. Avoid inhaling dust generated from wood products or use a dust mask or other safeguards for personal protection.

Wood products emit chemicals known to the State of California to cause birth defects or other reproductive harm. For more information go to <http://www.p65warnings.ca.gov/wood>.

Familiarize yourself with the following safety notices used in this manual:

⚠ CAUTION This means that if precautions are not heeded, it may result in minor injury and/or possible machine damage.

⚠ WARNING This means that if precautions are not heeded, it may result in serious or possibly fatal injury.

2.0 Table of contents

Section	Page
1.0 IMPORTANT SAFETY INSTRUCTIONS.....	2
1.1 General Safety Warnings	2
1.2 Specific Safety Warnings for Table Saws	3
2.0 Table of contents.....	6
3.0 About this manual	7
4.0 Table Saw terminology.....	8
5.0 Specifications	9
5.1 Kit configurations	10
6.0 Setup and assembly.....	11
6.1 Shipping contents	11
6.2 Tools required for assembly	12
6.3 Unpacking and cleanup	12
6.4 Installing legs, levelers and bottom dust plate	12
6.5 Extension wings.....	12
6.6 Handwheels	13
6.7 Motor cover.....	14
6.8 Rails and fence.....	14
6.9 Wood extension table	14
6.10 Switch bracket	14
6.11 Dust collection	14
6.12 Riving knife	14
6.13 Anti-kickback pawls	14
6.14 Blade guard	15
6.15 Blade installation/replacement	15
6.16 Low profile riving knife	16
6.17 Table insert.....	16
6.18 Miter gauge.....	16
6.19 Tool storage.....	16
7.0 Electrical connections	17
7.1 GROUNDING INSTRUCTIONS	17
7.2 Overload reset button	17
7.3 Extension cords	18
7.4 On/off switch lock-out	18
8.0 Adjustments	18
8.1 Blade raising/tilt mechanism.....	18
8.2 Adjusting blade tilt stops.....	18
8.3 Riving knife alignment	19
8.4 Table to blade alignment	20
8.5 Belt adjustment/replacement.....	20
9.0 Operations.....	21
9.1 Kickbacks	21
9.2 Rip sawing	22
9.3 Resawing.....	23
9.4 Crosscutting.....	23
9.5 Bevel and miter operations.....	24
10.0 Safety devices.....	25
11.0 User-maintenance	26
11.1 Cleaning	26
11.2 Lubrication	26
11.3 Additional servicing	26
12.0 Optional accessories.....	26
13.0 Troubleshooting JPS2 ProShop II.....	27
14.0 Replacement Parts.....	27
14.1.1 Motor and Trunnion – Exploded View	28

14.1.2 Motor and Trunnion – Parts List	29
14.2.1 Table and Cabinet– Exploded View	32
14.2.2 Table and Cabinet– Parts List	33
14.3.1 Stand Assembly – Exploded View.....	34
14.3.2 Stand Assembly – Parts List	34
14.4.1 Switch Assembly – Exploded View	35
14.4.2 Switch Assembly – Parts List	35
14.5.1 Blade Guard Assembly – Exploded View.....	36
14.5.2 Blade Guard Assembly – Parts List.....	37
14.6.1 Miter Gauge Assembly – Exploded View	38
14.6.2 Miter Gauge Assembly – Parts List.....	38
15.0 Electrical Connections for JPS2.....	39
16.0 Warranty and Service.....	40


3.0 About this manual

This manual is provided by JET covering the safe operation and maintenance procedures for a JET Model JPS2 ProShop II™ Table Saw. This manual contains instructions on installation, safety precautions, general operating procedures, maintenance instructions and parts breakdown. Your machine has been designed and constructed to provide consistent, long-term operation if used in accordance with the instructions as set forth in this document.

This manual is not intended to be an exhaustive guide to table saw operational methods, use of jigs or after-market accessories, choice of stock, etc. Additional knowledge can be obtained from experienced users, trade articles, or website forums. Whatever accepted methods are used, always make personal safety a priority.

If there are questions or comments, please contact your local supplier or JET. JET can also be reached at our web site: www.jettools.com.

Retain this manual for future reference. If the machine transfers ownership, the manual should accompany it.

 **WARNING Read and understand the entire contents of this manual before attempting assembly or operation. Failure to comply may cause serious injury.**

Register your product using the mail-in card provided, or register online:

<http://www.jettools.com/us/en/service-and-support/product-registration/>

4.0 Table Saw terminology

Arbor: Metal shaft that connects the drive mechanism to the blade.

Bevel Edge Cut: Tilt of the saw arbor and blade between 0° and 45° to perform an angled cutting operation.

Blade Guard: Mechanism mounted over the saw blade to prevent accidental contact with the cutting edge.

Crosscut: Sawing operation in which the miter gauge is used to cut across the grain of the workpiece.

Dado Blade: Blade(s) used for cutting grooves and rabbets. A stacked dado set can be used for wider grooves.

Dado Cut: Flat bottomed groove in the face of the workpiece made with a dado blade.

Featherboard: Device used to keep a board against the rip fence or table, allowing the operator to keep hands away from saw blade.

Freehand: Moving the workpiece into the blade using only the hands, without a fixed positioning device. (This is a dangerous, unacceptable procedure on a table saw – always use appropriate devices to feed the workpiece through the saw blade during cutting operations.)

Kerf: The resulting cut or gap made by a saw blade.

Kickback: An event in which the workpiece is lifted up and thrown back toward an operator, caused when a workpiece binds on the saw blade or between the blade and rip fence (or other fixed object). To minimize or prevent injury from kickbacks, see the *Operations* section.

Miter Gauge: A component that controls the workpiece movement while performing a crosscut of various angles.

Non-Through Cut: A sawing operation that requires the removal of the blade guard and standard riving knife, resulting in a cut that does not protrude through the top of the workpiece (includes dado and rabbet cuts).

The blade guard and riving knife must be re-installed after performing a non-through cut to avoid accidental contact with the saw blade during operation.

Parallel: Position of the rip fence equal in distance at every point to the side face of the saw blade.

Perpendicular: 90° (right angle) intersection or position of the vertical and horizontal planes such as the position of the saw blade (vertical) to the table surface (horizontal).

Push Board/Push Stick: An instrument, usually of wood or plastic, used to safely push the workpiece through the cutting operation by keeping the operator's hands at a distance.

Rabbet: A cutting operation that creates an L-shaped channel along the edge of the board.

Rip Cut: A cut made along the grain of the workpiece.

Riving Knife: A metal plate fixed relative to the blade, which moves with the blade as cutting depth is adjusted. Thus, it maintains not only the kerf opening in the workpiece, but also the knife-to-blade distance. A *low-profile* riving knife sits lower than the top edge of the blade, for making a non-through cut.

Splitter (Spreader): A stationary metal plate to which the blade guard is attached that maintains the kerf opening in the workpiece during a cutting operation. (JET table saws use the superior Riving Knife system instead.)

Standard Kerf: 1/8" gap made with a standard blade.

Straightedge: A tool used to check that a surface is flat or parallel.

Through Sawing: A sawing operation in which the workpiece thickness is completely sawn through. Proper blade height usually allows 1/8" of the top of blade to extend above the wood stock. Keep the blade guard down, the anti-kickback pawls down, and the riving knife in place over the blade.

5.0 Specifications

Table 1

Model number	JPS2-115	JPS2-230
Stock number – saw only (see Table 2 below for kit configurations)	725000	725001
Motor and Electricals		
Motor type	Totally enclosed, fan cooled, induction	
Horsepower	1.75 HP	
Motor phase	1 PH	
Motor voltage	120 V	230 V
Cycle	60Hz	
Listed FLA (full load amps)	14.8 A	7.4 A
Motor speed	3450 RPM	
Starting amps	36 A	18 A
Running amps (no load)	3.7 A	1.8 A
Start capacitor	200MFD 125VAC	
Run capacitor	40 μ F 300VAC	
Power transfer	belt	
On/off switch	Magnetic switch KJD17B (NVR type)	
Power cord	14AWG x 3, 6 ft (183cm)	
Plug provided	5-15P	6-15P
Recommended circuit size ¹	15 A	
Sound emission without load ²	80 dB at 30 in. (762mm) from blade	
Arbor and blade		
Arbor diameter	5/8 in. (15.88 mm)	
Arbor speed	4000 RPM	
Arbor lock	included	
Arbor wrench	included	
Blade included	10 in. (254 mm), 40 tooth	
Maximum depth of cut at 90 degrees	3-1/8 in. (79 mm)	
Maximum depth of cut at 45 degrees	2-1/8 in. (54 mm)	
Maximum rip to right of blade	30 in. or 52 in.	
Maximum rip to left of blade	13.5 in. (343 mm)	
Blade height per one revolution of handwheel	5/32 in. (4 mm) at 90°; 7/64 in. (2.83 mm) at 45°	
Dado maximum width	13/16 in. (20.6 mm)	
Dado maximum diameter	8 in.	
Blade tilt	45° left tilt	
Table		
Main table dimensions, L x W	20 x 27 in. (508 x 686 mm)	
Table dimensions with wings, L x W	44 x 27 in. (1118 x 686 mm)	
Table area in front of blade at maximum height	8.81 in. (223.83 mm)	
Table height from floor, approximate	34-3/4 in. (883 mm)	
Miter T-slot, W x D	3/4 x 3/8 in. (19 x 10 mm)	
Edge bevel	Front	
Main materials		
Main table	Cast iron	
Table insert	Aluminum	
Extension wings	Cast iron or stamped steel	
Base and legs	Steel	
Center trunnion	Aluminum	
Pulleys	Steel	

Dust collection	
Dust port outside diameter	4 in. (102 mm)
Recommended minimum extraction volume	400 CFM (0.5 CMM)
General Dimensions	
Base footprint	23-1/2 x 24-1/2 in. (597 x 623 mm)
Assembled, with 30-in. rail set, L x W x H	60 x 40 x 43 in. (1524 x 1016 x 1090 mm)
Assembled, with 52-in. rail set, L x W x H	82 x 40 x 43 in. (2083 x 1016 x 1090 mm)
Shipping dimensions, saw only, L x W x H	30 x 29-3/4 x 29 in. (76 x 75.5 x 74.5 cm)
Weights	
Saw only without wings – net weight	176 lbs (80 kg)
Saw only without wings – shipping weight	202 lbs (92 kg)

¹ subject to local/national electrical codes.

² The specified values are emission levels and are not necessarily to be seen as safe operating levels. As workplace conditions vary, this information is intended to allow the user to make a better estimation of the hazards and risks involved only.

L = length, W = width, H = height, D = depth

n/a = not applicable

The specifications in this manual were current at time of publication, but because of our policy of continuous improvement, JET reserves the right to change specifications at any time and without prior notice, without incurring obligations.

5.1 Kit configurations

	Stock numbers	
	<i>120V model</i>	<i>230V model</i>
Proshop II saw only	725000	725001
Proshop II saw, 30" rip, cast wings	725000K	725002K
Proshop II saw, 30" rip, steel wings	725004K	725006K
Proshop II saw, 52" rip, cast wings, wood extension table	725001K	725003K
Proshop II saw, 52" rip, steel wings, wood extension table	725005K	725007K

Table 2

⚠ WARNING

Read and understand all assembly instructions before attempting assembly. Failure to comply may cause serious injury.

6.0 Setup and assembly

6.1 Shipping contents

See Figures 6-1 and 6-2.

NOTE: Some parts may have come pre-assembled to the table saw.

- 1 Table saw with on/off switch (not shown)
- 1 Blade (preinstalled on saw)
- 1 Table insert (preinstalled on saw)
- 1 Arbor wrench (preinstalled on tool holder)
- 1 Miter gauge – **A**
- 1 Push stick – **B**
- 1 Handwheel, large mounting hole – **C**
- 1 Handwheel, small mounting hole – **D**
- 1 Guard assembly – **E**
- 1 Anti-kickback pawl assembly – **F**
- 1 Riving knife – **G**
- 1 Low profile riving knife – **H**
- 1 Motor cover – **J**
- 4 Legs – **K**
- 2 Extension wings – **L**
- 1 Bottom dust plate – **M**
- 1 Operator's manual (not shown)
- 1 Product registration card (not shown)
- 1 Hardware package

6.1.2 Hardware package

- 1 Storage hook – **HP1**
- 1 Open end wrench 11-13mm – **HP2**
- 1 Knob – **HP3**
- 1 Spacer – **HP4**
- 3 Hex wrenches, 2.5, 4, 5 mm – **HP5**
- 4 Levelers – **HP6**
- 8 Socket hd cap screws M8x20 – **HP7**
- 8 Socket hd cap screws M6x16 – **HP8**
- 1 Soc hd cap screw w/lock wshr M5x12 – **HP9**
- 2 Tapping screws M5x12 – **HP10**
- 2 Hex cap screws w/flat wshr M8x10 – **HP11**
- 4 Pan hd machine screws M6x16 – **HP12**
- 8 Flat washers M8 – **HP13**
- 12 Flat washers M6 – **HP14**
- 4 Hex nuts M8 – **HP15**
- 8 Tapping screws M5x12 – **HP16**

NOTE: Fence and rail assemblies with fasteners, and wood extension tables and legs with fasteners, are shipped in separate boxes.

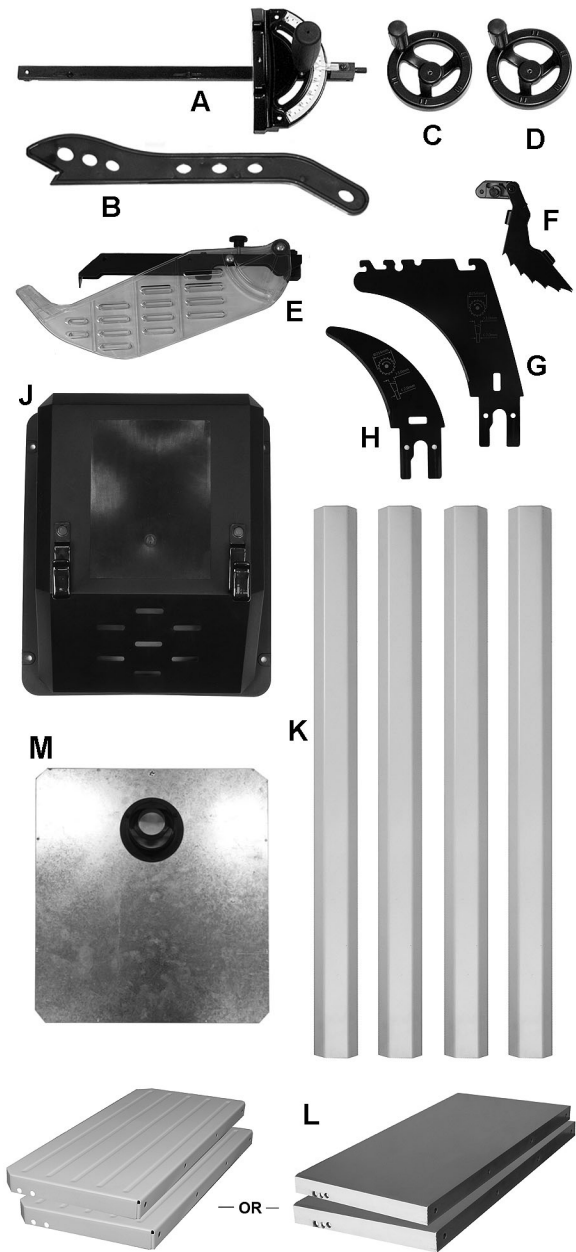


Figure 6-1: Contents (not to scale)

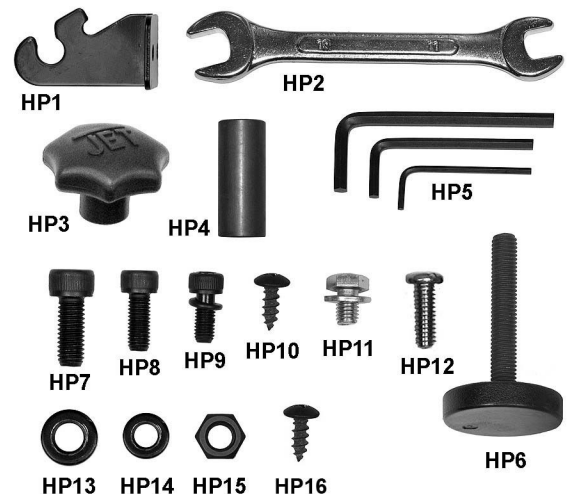


Figure 6-2: Hardware (not to scale)

6.2 Tools required for assembly

Hex (Allen) wrenches: 4, 5, 6mm
Open end wrenches: 10, 13mm
Cross point (Phillips) screwdriver
Straight edge
Rubber mallet (or hammer with block of wood)
Level

Note: A ratchet wrench with sockets will speed assembly time. Additional tools may be needed for adjustments and/or assembly of fence and rails.

CAUTION The main saw unit is heavy; use an assistant or a hoist mechanism when moving or turning it right side up.

6.3 Unpacking and cleanup

1. Remove all contents from shipping carton and from inside of saw body. Do not discard carton or packing material until saw is assembled and running satisfactorily.
2. Inspect contents for shipping damage. Report damage, if any, to your distributor.
3. Compare contents of shipping carton with the contents list in this manual. Report shortages, if any, to your distributor. Check machine first to see if parts have been pre-installed.
4. Slide table saw off pallet onto cardboard or pad to prevent scratching table surface. Keep saw upside down.

6.4 Installing legs, levelers and bottom dust plate

See Figures 6-3a and 6-3b.

1. Mount legs (K) to cabinet using two M8 screws with washers (HP8/13) into each leg as shown. Install both screws first, then tighten with 5mm hex wrench. (Note: If more clearance is needed to insert a screw, see sect. 6.6 to temporarily mount a handwheel and tilt the trunnion out of the way.)
2. Install four levelers with hex nuts (HP6/15).
3. Mount bottom plate (M) to cabinet using eight M5x12 tapping screws (HP16).
4. Turn saw right-side up and allow the feet to adjust to floor surface. Place a level on table, and adjust the levelers as needed. Tighten hex nuts up against leg with 10mm wrench to secure setting.
5. Attach hose (A, Figure 6-3b) to dust chute.
6. Tighten clamp (B) to secure hose.

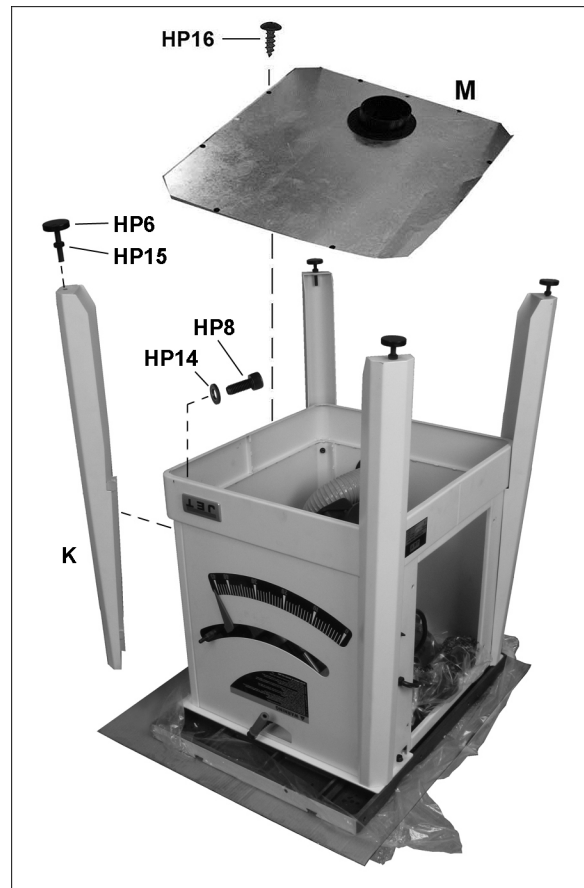


Figure 6-3a

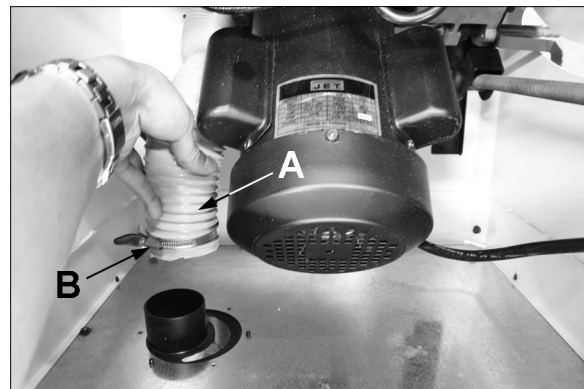


Figure 6-3b

6.5 Extension wings

See Figure 6-4.

Wings are available in cast iron or stamped steel. Make sure mating surfaces are clean and free of burrs.

Attach each extension wing to saw table using four screws and washers (HP7/13). Do not fully tighten yet.

Assembly Tip: If you are doing this without an assistant, lift extension wing perpendicular to table edge. Install a center screw and washer, and make snug. Then pivot wing parallel to saw table to insert remaining three screws.

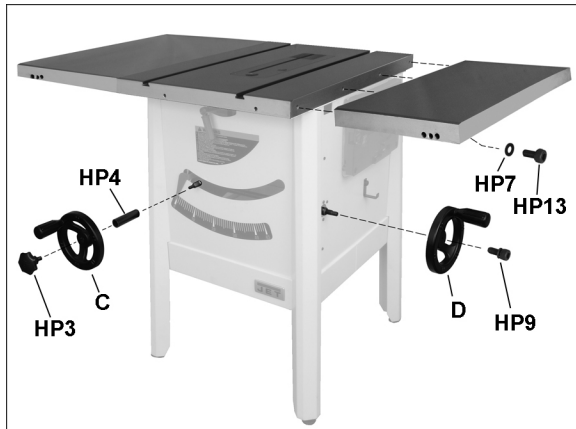


Figure 6-4

6.5.1 Leveling extension wings

Note: The following instructions show assembly of the *cast wings*. The *stamped steel wings* may have a tendency to sag until rails are installed, and may need further leveling adjustments during rail installation.

Level extension wings to saw table using a straight edge. A metal straight edge is ideal, though a carefully jointed board may also be used.

Two methods are described below: one using a rubber mallet, the other using clamps on the table edges.

Method 1 (Figure 6-5):

1. Shift extension wing so it is slightly above saw table surface.
2. Begin by tightening the screws beneath extension wing that secure it to saw table. Tighten these just enough to hold wing in place but loose enough to change wing height by tapping on it. (Tap with rubber mallet, or hammer over a flat block of wood. Never use a steel-faced hammer directly on the tables.)
3. Lay straight edge across saw table and extension wing, extending it out past edge of wing as shown in Figure 6-5.

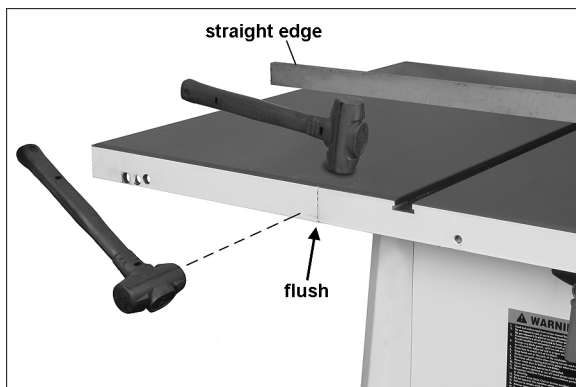


Figure 6-5: leveling extension wings, method 1

4. Move straight edge to several places along wing, as you continue to nudge wing level with saw table. Also brush your fingertips over the

seam to ensure the transition feels smooth. As each area of wing becomes flush with table, tighten screw under that area. Continue until all screws are fully tightened. **NOTE:** Make sure front edge of wing remains flush with front edge of saw table.

5. Repeat above steps for opposite extension wing.

Method 2 (Figure 6-6):

1. Follow steps 1 through 3 from Method 1.
2. Position clamps over seam, one at front, one at back of table. Use a pad or flat block beneath clamp jaw to prevent damage to table surface. See Figure 6-6.
3. Tighten both clamps to align front and back edges of tables. Make sure front edge of wing remains flush with front edge of saw table.
4. Tighten screws incrementally, and position straight edge at various places across seam, especially checking at the center. Make further adjustments as needed.
5. Fully tighten screws.



Figure 6-6: leveling extension wings, method 2

6.6 Handwheels

See Figure 6-4.

Note: The two handwheels look identical but have different sized mounting holes.

1. On front of table saw, slide spacer (HP4, Figure 6-4) onto shaft followed by handwheel with large mounting hole (C). The flat side of handwheel hole aligns with flat side on shaft.
2. Fasten in place by screwing in lock knob (HP3).
3. Slide handwheel with small mounting hole (D) onto shaft on right side of table saw, aligning flat side of hole with flat side on shaft.
4. Secure handwheel with lock washer and screw (HP9), using 4mm hex wrench.

6.7 Motor cover

See Figure 6-7.

Install motor cover (J) with four pan head screws and washers (HP12/14).



Figure 6-7

6.8 Rails and fence

To install front and rear rails and fence, consult manual M-725005 which accompanies your fence assembly, then proceed to sect. 6.11.

6.9 Wood extension table

To install the optional wood table, consult manual M-725005, which accompanies your fence assembly, then proceed to sect. 6.11.

6.10 Switch bracket

See Figure 6-8.

Use two screws with washers (HP-11) to secure switch bracket to front rail.

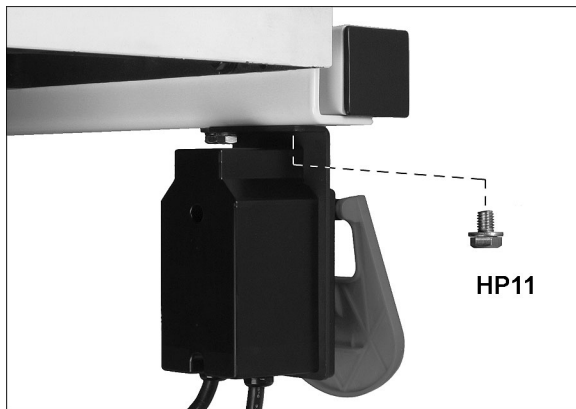


Figure 6-8

6.11 Dust collection

Use of a dust collection system (not provided) is strongly recommended during table saw operation. It will help keep the shop clean, as well as prevent potential health issues due to dust inhalation.

A dust collection system, with minimum capacity of 400 CFM (cubic feet per minute) should be connected to the port via a 4-inch diameter hose

(not included) and secured with a hose clamp. *Note: Dryer vent hose is not acceptable for this purpose.*

An extensive line of JET dust collectors is available; contact your dealer or visit our website for information.

6.12 Riving knife

See Figure 6-9.

1. Disconnect machine from power source.
2. Set saw blade to 90° (vertical) position and raise it all the way (refer to sect. 8.1).
3. Remove table insert by rotating locking knob (shown at M, Figure 6-14) and lift up insert using finger hole.

CAUTION Use care when working around an installed blade.

4. Through the saw table opening, pull up lever (A, Figure 6-9). The floating clamp block (B) will move away from the fixed block (C), leaving a gap.

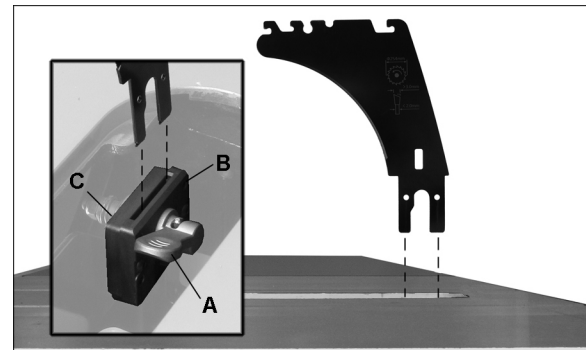


Figure 6-9

5. Slide tabs of riving knife (D) into slot between the two blocks, all the way down onto mounting stud.
6. Push down lever (A) to secure riving knife.

The clamping block (Figure 6-9) is adjusted at the factory and no further adjustment of blade guard and riving knife assembly should be necessary. However, proper alignment is very important. Before operating table saw, read sect. 8.3, *Riving knife alignment*, to verify and follow the adjustment procedure if necessary.

6.13 Anti-kickback pawls

See Figures 6-10 and 6-11.

1. Push and hold button (D) on opposite side of the head to release the catch pin. Mount pawl assembly straight down, in the location shown in Figure 10.

- Pivot head and push it downward (Figure 6-11) until there is an audible click. *Make sure you hear the click to verify that pawl assembly is secure.*

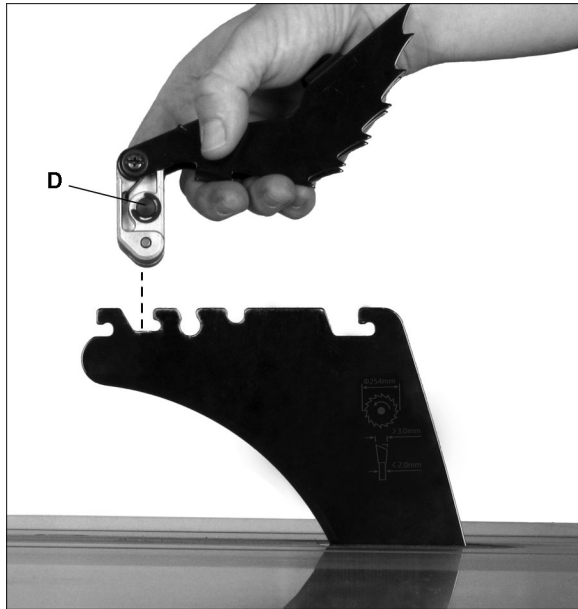


Figure 6-10



Figure 6-11

6.14 Blade guard

See Figure 6-12.

- Push up guard leaves (E, Figure 6-12) until they catch and hold on the peg (F).
- Lower blade guard assembly onto riving knife and push it backward to seat it.
- Tighten knob (G).
- Pull down guard leaves (E) and allow them to drop to the table.
- Reverse procedure to remove guard.

IMPORTANT: Knob (G) must be tightened before operating saw with guard in place.

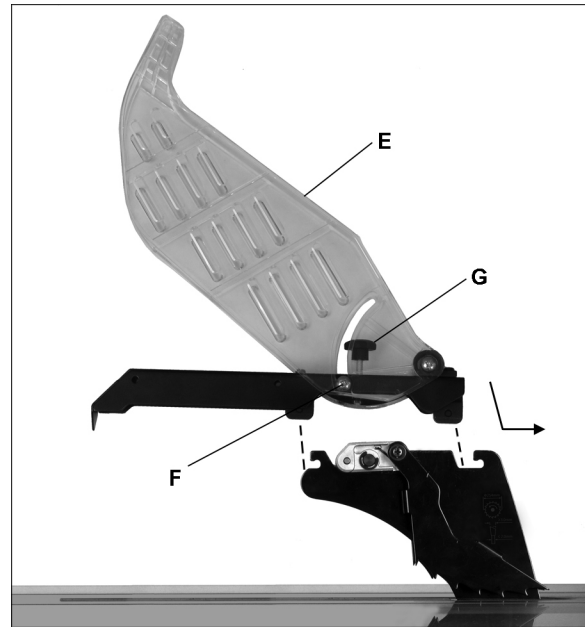


Figure 6-12

6.15 Blade installation/replacement

WARNING When installing or changing blades, always disconnect saw from power source. Failure to comply may cause serious injury.

- Disconnect machine from power source.
- Using the handwheels, raise blade arbor fully and lock saw at zero-degrees by tightening lock knob at center of handwheel.

See Figure 6-13:

- Press arbor lock paddle (H) and rotate arbor until you feel arbor lock engage. Continue pressing arbor lock paddle.
- Using the provided wrench, remove arbor nut (J) and outer flange (K). If replacing blade, remove old blade.
- Place new blade on arbor shaft making sure that the teeth point down toward front of saw. Replace flange and arbor nut (K/J).
- Tighten arbor nut (J). Do not overtighten.

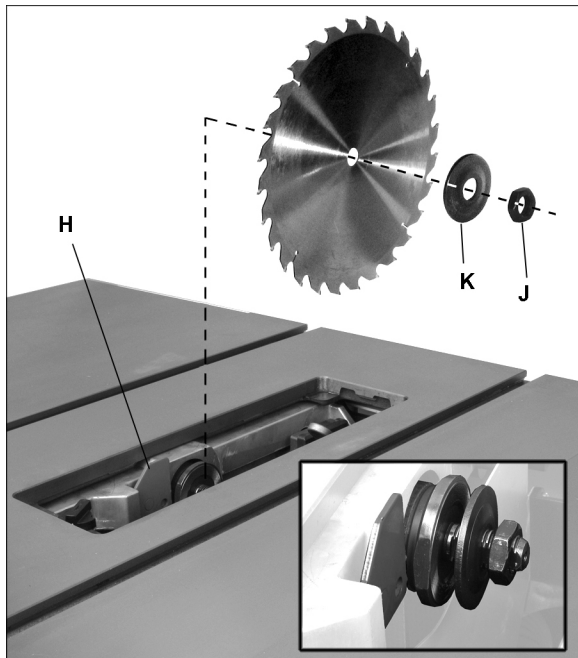


Figure 6-13

6.16 Low profile riving knife

A low profile riving knife is included with your saw. It mounts and adjusts in the same manner as the standard riving knife. The low profile riving knife sits just below top of blade and is used for making non-through cuts. *The blade guard is not used with this knife, so extra precautions should be taken during operation.*

6.17 Table insert

See Figure 6-14.

1. Remove blade guard and riving knife.
2. Lower blade completely.
3. Place table insert into opening with notched end towards rear of table, as shown.
4. Adjust insert flush with table by turning four leveling setscrews (L) and using a straight edge at different points over the insert. A 2.5mm hex key is required to adjust the setscrews.
5. Turn lock knob (M) so that it catches insert and holds it against table. If lock knob will not catch properly, remove insert and adjust spring tension by turning the nut on the knobs' shaft.

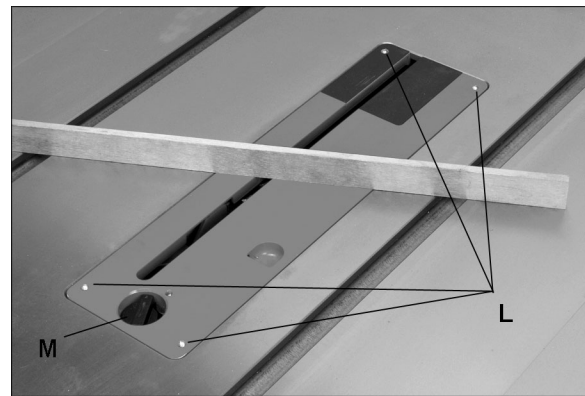


Figure 6-14

6.18 Miter gauge

See Figure 6-15.

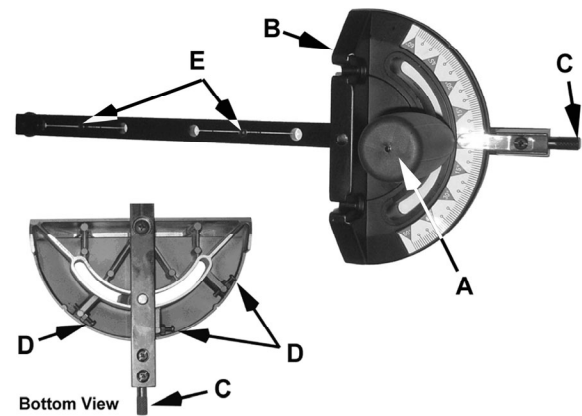


Figure 6-15

Operate miter gauge by loosening lock knob (A) and turning miter body (B) to desired angle.

The pin (C) functions as an index stop. When pushed in, the body will stop at -45° , 90° or $+45^\circ$ when turned, as one of three screws (D) located underneath the miter body hits the pin.

You can adjust any play of the miter gauge in the table slot by tightening set screws (E).

Calibration

If a miter angle at the -45° , 90° or $+45^\circ$ is not correct, the index stops can be adjusted by turning one of three adjustment screws (D), then tightening the hex nut.

Note: Always make test cuts. Do not rely solely on miter gauge indicator marks.

6.19 Tool storage

The fence assembly can be stored on the motor cover hooks. Arbor wrench and low profile riving knife are stored on tool holder on right side of saw. Below tool holder is a hook for accessory storage.

Install the additional hook (HP1) to any surface of saw stand with the tapping screws (HP10). Drill pilot holes before inserting screws.

7.0 Electrical connections

The JPS2-115 table saw is wired for 120-volt only. The JPS2-230 is wired for 230-volt only. The table saw comes with a plug designed for use on a circuit with a *grounded outlet* that looks like the one pictured in either A or D, Figure 7-1.

Before connecting to power source, be sure switch is in *off* position.

It is recommended that the JPS2 table saw be connected to a dedicated 15 amp circuit with circuit breaker or fuse. If fuses are used, they should be time-delay fuse marked "D".

NOTE: Local codes take precedence over recommendations.

7.1 GROUNDING INSTRUCTIONS

1. All Grounded, Cord-connected Tools:

This machine must be grounded. In the event of a malfunction or breakdown, grounding provides a path of least resistance for electric current to reduce the risk of electric shock. This tool is equipped with an electric cord having an equipment-grounding conductor and a grounding plug. The plug must be plugged into a matching outlet that is properly installed and grounded in accordance with all local codes and ordinances.

Do not modify the plug provided - if it will not fit the outlet, have the proper outlet installed by a qualified electrician.

Improper connection of the equipment-grounding conductor can result in a risk of electric shock. The conductor with insulation having an outer surface that is green with or without yellow stripes is the equipment-grounding conductor. If repair or replacement of the electric cord or plug is necessary, do not connect the equipment-grounding conductor to a live terminal.

⚠ WARNING Check with a qualified electrician or service personnel if the grounding instructions are not completely understood, or if in doubt as to whether the tool is properly grounded. Failure to comply may cause serious or fatal injury.

Use only 3-wire extension cords that have 3-prong grounding plugs and 3-pole receptacles that accept the tool's plug.

Repair or replace damaged or worn cord immediately.

2. *Grounded, cord-connected tools intended for use on a supply circuit having a nominal rating less than 150 volts:*

This tool is intended for use on a circuit that has an outlet that looks like the one illustrated in A, Figure 7-1. An adapter, shown in B and C, may be used to connect this plug to a 2-pole receptacle as shown

in B if a properly grounded outlet is not available. The temporary adapter should be used only until a properly grounded outlet can be installed by a qualified electrician. The green-colored rigid ear, lug, and the like, extending from the adapter must be connected to a permanent ground such as a properly grounded outlet box.

In Canada, the use of a temporary adaptor is not permitted by the Canadian Electrical Code, C22.1.

3. *Grounded, cord-connected tools intended for use on a supply circuit having a nominal rating between 150 - 250 volts, inclusive:*

This tool is intended for use on a circuit that has an outlet that looks like the one illustrated in D, Figure 7-1. The tool has a grounding plug that looks like the plug illustrated in D. Make sure the tool is connected to an outlet having the same configuration as the plug. No adapter is available or should be used with this tool. If the tool must be reconnected for use on a different type of electric circuit, the reconnection should be made by qualified service personnel; and after reconnection, the tool should comply with all local codes and ordinances.

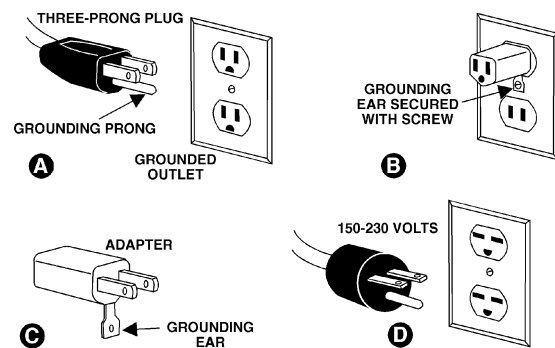


Figure 7-1

7.2 Overload reset button

If saw becomes overloaded and the motor shuts off, push re-set button above switch (Figure 7-2) to restart. If overloading happens frequently, consult the Troubleshooting section in this manual.



Figure 7-2

7.3 Extension cords

The use of extension cords is discouraged. Try to position machines within reach of the power source. If an extension cord must be used, make sure it is heavy enough to carry the current your product will draw. An undersized cord will cause a drop in line voltage resulting in loss of power and overheating. Table 3 shows correct size to use depending on cord length and nameplate ampere rating. If in doubt, use the next heavier gauge. The smaller the gauge number, the heavier the cord.

Ampere Rating		Volts	Total length of cord in feet			
More Than	Not More Than		25	50	100	150
		120	25	50	100	150
		240	50	100	200	300
			AWG			
0	6		18	16	16	14
6	10		18	16	14	12
10	12		16	16	14	12
12	16		14	12	Not Recommended	

*Extension Cord Recommendations
Table 3*

7.4 On/off switch lock-out

The Table Saw is equipped with a push-button switch that will accept a safety padlock, as shown in Figure 7-3. To safeguard your machine from unauthorized operation and accidental starting by young children, the use of a padlock (not included) is highly recommended. Place the key in a location that is inaccessible to children and others not qualified to use the tool.



Figure 7-3

8.0 Adjustments

8.1 Blade raising/tilt mechanism

CAUTION Never try to force the tilting mechanism past the 45° or 90° stops. This may cause blade misalignment.

See Figure 8-1.

To raise or lower blade, loosen lock knob (A) and turn handwheel (B) on front of saw until desired height is reached. Tighten lock knob. The blade should be adjusted about 1/8" above the top surface of the material being cut.

To tilt blade, turn lock handle (C) counterclockwise to loosen, turn handwheel (D) until desired angle is obtained, then tighten lock handle (C) clockwise.



Figure 8-1

8.2 Adjusting blade tilt stops

The 45° and 90° blade tilt stops have been set by the manufacturer, but should be verified by the operator.

1. Disconnect machine from power source.
2. Raise blade to maximum height.
3. Set blade 90° to table by turning blade tilting handwheel (D, Figure 8-1) counterclockwise as far as it will go. Do not force beyond stop.
4. Place a square on the table and verify that blade is at 90° to table. See Figure 8-2. Make sure square is flat against blade surface and not touching a blade tooth.

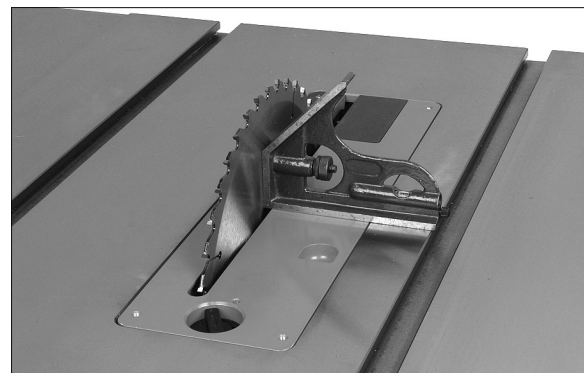


Figure 8-2

If adjustment is required:

5. Remove motor cover on left side.
6. Back out the setscrew in the 90° stop collar (E, Figure 8-3), and position collar to allow further movement of shaft bracket.
7. Turn blade tilting handwheel until blade is exactly 90°.
8. Turn stop collar until it contacts shaft bracket, and tighten set screw (E).

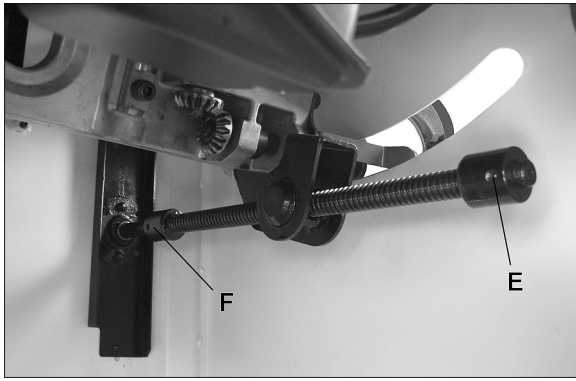


Figure 8-3

9. Tilt blade to 45° and verify setting in the same manner as above. See Figure 8-4. Adjust 45° stop collar as needed (F, Figure 8-3).

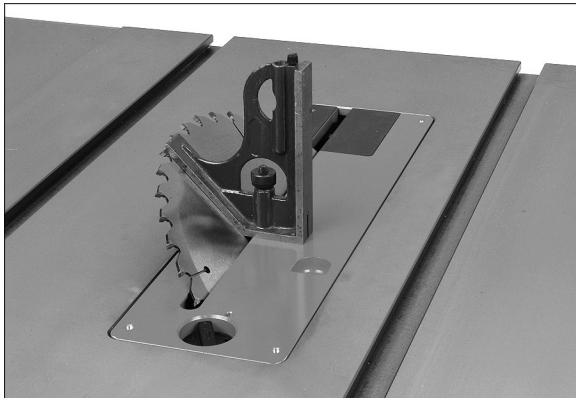


Figure 8-4

Verify that blade tilt pointer (Figure 8-5) accurately indicates 45° or 90° (0°) on scale. If not, loosen screw and adjust pointer. Retighten screw.

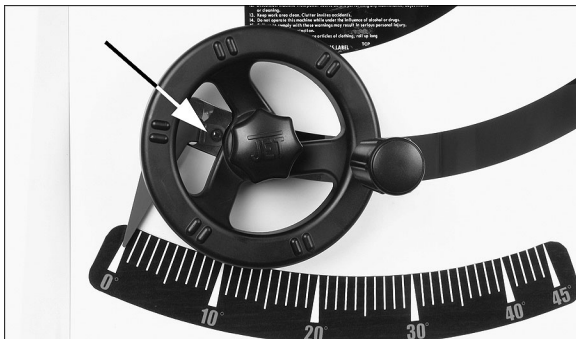


Figure 8-5

8.3 Riving knife alignment

8.3.1 Lateral alignment

Saw blade and riving knife must be as closely aligned as possible (lateral alignment) for prevention of kickback. This should be checked upon initial blade guard and riving knife installation. Alignment should also be reaffirmed after each blade change.

1. Disconnect machine from power source.
2. Remove blade guard and anti-kickback pawls.

3. Place a straight edge on table so it rests against blade and riving knife. See Figure 8-6. Rotate blade so that top of blade tooth touches straight edge.

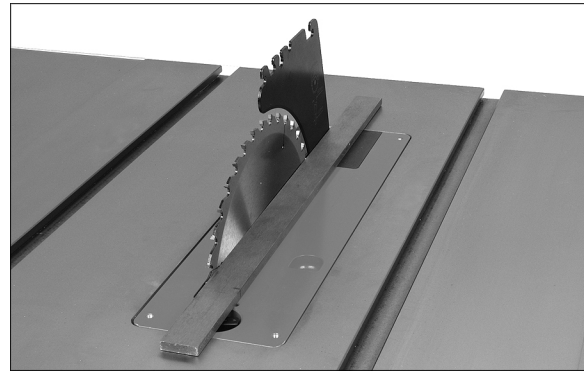


Figure 8-6

The saw blade and riving knife must be in line. If adjustment is needed:

4. Pull up lever (A, Figure 8-7) and remove riving knife, making note as to which direction riving knife needs to be moved to align it with saw blade.
5. Use 3mm hex key to make adjustments to four set screws (B, Figure 8-7). Adjust any of the set screws required to bring riving knife in alignment with saw blade.
6. Reinsert riving knife, secure by tightening lever (A) and check alignment per step 2.
7. Repeat steps 3–5 until alignment is correct.

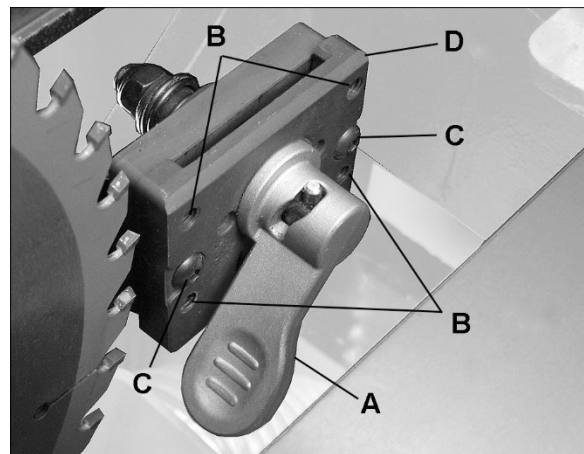


Figure 8-7

8.3.2 Blade proximity alignment

The gap between saw blade and riving knife must be between 3mm (0.12in.) and 8mm (0.32in.). See Figure 8-8.

If adjustment is needed, note whether blade-to-knife gap needs to be increased or decreased. Then adjust as follows:

1. Disconnect machine from power source.
2. Remove blade guard, pawl assembly, table insert and riving knife.

- Use 3mm hex key to loosen two socket head button screws (C, Figure 8-7). This will allow the clamp plate (D) to slide back and forth on the fixed base.

Slide clamp plate (D) toward or away from saw blade as required. Attempt to make the gaps as even as possible.

- Tighten screws (C).
- Reinsert riving knife; engage lever (A) and check that saw blade/knife gap is between 3 to 8mm (Figure 8-8).

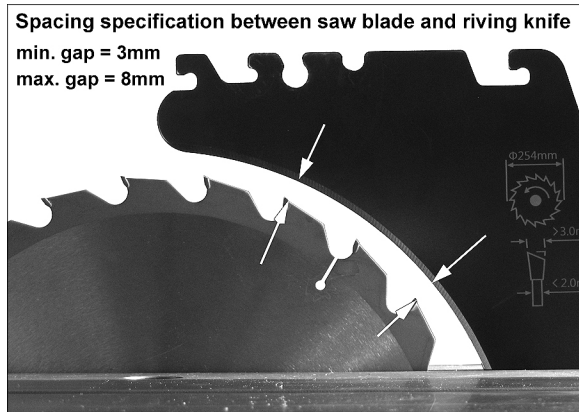


Figure 8-8

8.4 Table to blade alignment

Refer to Figures 8-9 and 8-10.

The table has been set square with the blade by the manufacturer and no adjustment is necessary now. As the saw receives extensive use, however, table/blade squareness should be checked and corrected if necessary. Use the miter slot to do this:

- Disconnect machine from power source.
- Raise blade to maximum height.
- Mark one tooth (A) with a grease pencil and position the tooth slightly above top edge of table at the front.

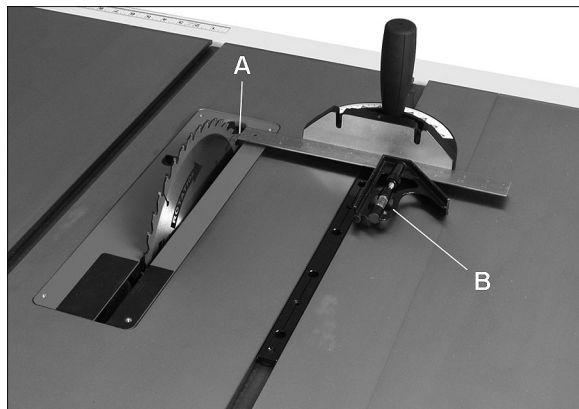


Figure 8-9

- Raise the miter gauge slightly out of its slot to serve as a shoulder. Place a sliding square (B) against side of miter bar, slide the scale over

until it touches the tip of blade, and lock the scale in position. See Figure 8-9.

- Rotate marked tooth (A) so that it is slightly above table top at the rear and, using the square as before, verify that the distance to the blade is the same. See Figure 8-10. If the distances are not the same, make a careful note of the difference.



Figure 8-10

- Slightly loosen the three mounting screws (#10, sect. 14.2.1) that hold the table to the stand; two in front, one in back.
- Nudge table to bring miter slot in line with blade.
- Retighten mounting screws firmly.
- Verify the alignment, angle pointer setting, fence setting, etc. Make any further adjustments as needed.

8.5 Belt adjustment/replacement

To adjust tension of drive belt:

- Disconnect machine from power source.
- Loosen bolt (C, Figure 8-11) in motor bracket slot. If needed, also slightly loosen hex nut on opposite side of motor bracket.
- Shift motor as needed, downward to tighten belt, upward to loosen.
- Retighten bolt (and hex nut).



Figure 8-11

To replace belt, loosen bolt (C) and shift motor upward to create sufficient slack in belt. Remove old belt from pulleys and install new one. Tension new belt and retighten bolt.

9.0 Operations

NOTE: The following Figures are general in nature and may not show your particular saw model.

Familiarize yourself with the location and operation of all controls and adjustments and the use of accessories such as miter gauge and rip fence.

9.1 Kickbacks

Serious injury can result from kickbacks which occur when a workpiece binds on the saw blade or binds between the blade and rip fence or other fixed object. This binding can cause work piece to lift up and be thrown toward the operator.

Listed below are conditions which can cause kickbacks:

- Confining the cutoff piece when crosscutting or ripping.
- Releasing the workpiece before completing operation or not pushing work piece all the way past the saw blade.
- Not using the splitter/ripping knife when ripping or not maintaining alignment of the splitter/ripping knife with the saw blade.
- Using a dull saw blade.
- Not maintaining alignment of the rip fence so that it tends to angle toward rather than away from the saw blade front to back.
- Applying feed force when ripping to the cutoff (free) section of the workpiece instead of the section between saw blade and fence.
- Ripping wood that is twisted (not flat), or does not have a straight edge, or a twisted grain.

To minimize or prevent injury from kickbacks:

- Avoid conditions listed above.
- Wear a safety face shield, goggles, or glasses.
- Do not use the miter gauge and rip fence in the same operation unless provision is made by use of a facing board on the fence so as to allow the cutoff section of the workpiece to come free before the next cut is started (See Figure 9-9).
- As the machine receives use, the operation of the anti-kickback pawls should be checked periodically (Figure 9-1). If the pawls do not stop the reverse motion of a workpiece, sharpen all the points.

- Where possible, keep your face and body out of line with potential kickbacks including when starting or stopping the machine.

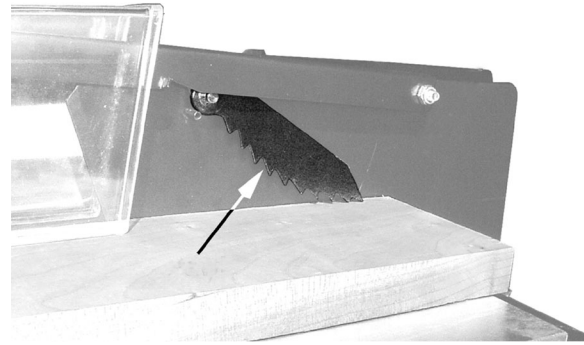


Figure 9-1

Dull, badly set, improper, or improperly filed cutting tools and cutting tools with gum or resin adhering to them can cause accidents. Never use a cracked saw blade. The use of a sharp, well maintained, and correct cutting tool for the operation will help avoid injuries.

Support the work properly and hold it firmly against gauge or fence. Use a push stick or push block when ripping short, narrow (6" width or less), or thin work. Use a push block or miter gauge hold-down when dadoing or molding.

For increased safety in crosscutting, use an auxiliary wood facing (Figure 9-2) attached to the miter gauge, using the slots or holes provided in the gauge.

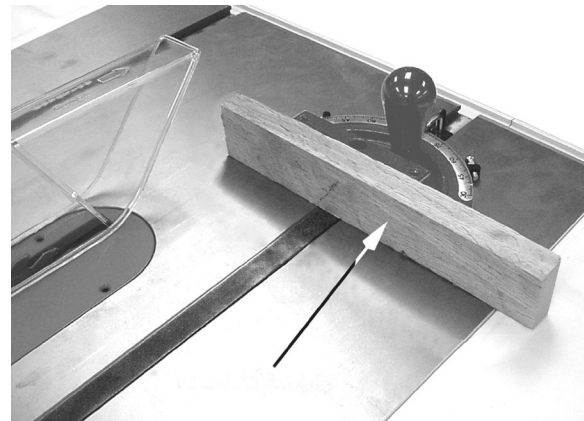


Figure 9-2

Never use the fence as a length stop when crosscutting. Do not hold or touch the free end or cutoff section of a workpiece. On through-sawing operations, the cutoff section must NOT be confined.

Always keep your hands out of line of the saw blade and never reach back of the cutting blade with either hand to hold the workpiece.

Bevel ripping cuts should always be made with the fence on the right side of saw blade so that the blade tilts away from the fence and minimizes the possibility of the work binding and the resulting kickback.

9.2 Rip sawing

Ripping is where the workpiece is fed with the grain into the saw blade using the fence as a guide and a positioning device to ensure the desired width of cut (Figure 9-3).

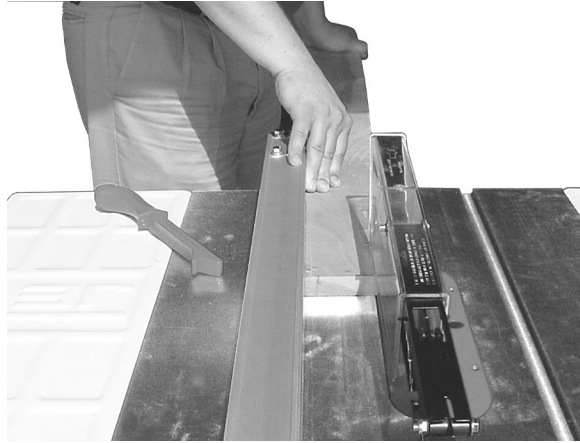


Figure 9-3

CAUTION Before starting a ripping cut, verify that fence is clamped securely and aligned properly.

- Never rip freehand or use miter gauge in combination with the fence.
- Never rip workpieces shorter than the saw blade diameter.
- Never reach behind the blade with either hand to hold down or remove the cutoff piece with the saw blade rotating.

Always use blade guard, splitter/ripping knife and anti-kickback pawls. Make sure splitter/ripping knife is properly aligned. When wood is cut along the grain, the kerf tends to close and bind on the blade and kickbacks can occur.

The *rip fence* (A, Figure 9-4) should be set for the *width of the cut* (C) by using the scale on the front rail, or by measuring the distance between blade (B) and fence (A). Stand out of line with saw blade and workpiece to avoid sawdust and splinters coming off the blade or a kickback, if one should occur.

If the work piece does not have a straight edge, nail an auxiliary straight edged board on it to provide one against the fence. To cut properly, the board must make good contact with the table. If it is warped, turn the hollow side down. *Do not attempt to cut boards with significant warp.*

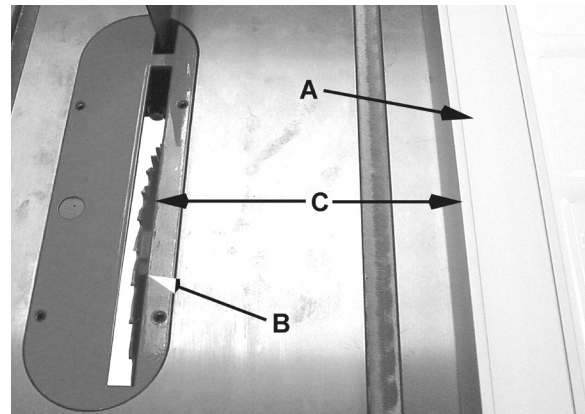


Figure 9-4

In ripping, use one hand to hold the board down against the fence or fixture, and the other to push it into the blade between blade and fence. If workpiece is narrower than 6" or shorter than 12", use a push stick or push block to push it through between fence and blade (Figure 9-5). Never push in a location such that the pushing hand is in line with the blade. Move the hand serving as a hold-down a safe distance from blade as cut nears completion. For very narrow ripping where a push stick cannot be used, use a push block or auxiliary fence. Always push the workpiece completely past the blade at the end of a cut to minimize the possibility of a kickback.

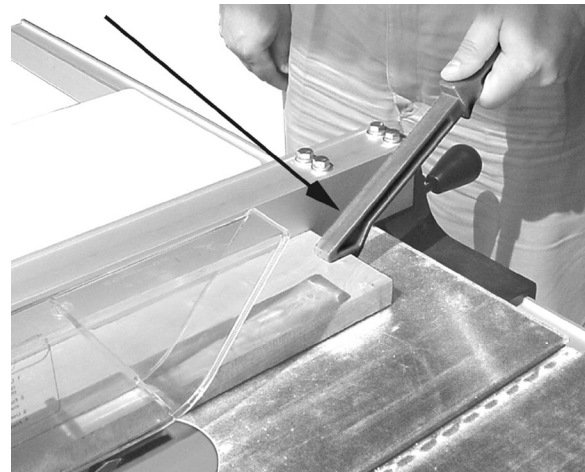


Figure 9-5

When ripping long boards, use a support at front of table (A, Figure 9-6), such as a roller stand, and a support or "tailman" (B) at the rear.

Never use the rip fence beyond the point where the carriage is flush with the end of the rails.

Have the blade extend about 1/8" above the top of the workpiece. Exposing the blade above this point can be hazardous.

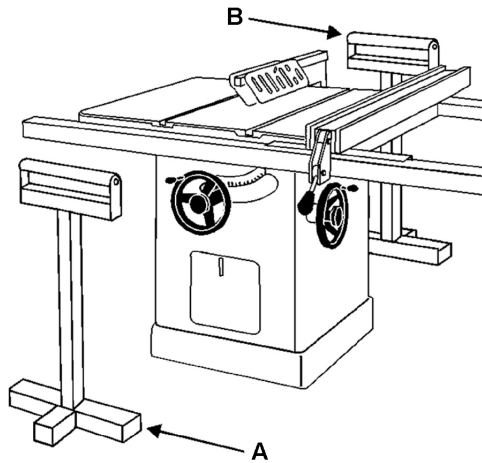


Figure 9-6

9.3 Resawing

Resawing is a ripping operation in which thick boards are cut into thinner ones. Narrow boards up to 3" can be resawn in one pass. Wider boards up to 6" must be resawn in two passes.

In resawing wider boards, adjust the blade height so as to overlap the two cuts by 1/2" as shown in Figure 9-7. Too deep a first cut can result in binding and possible kickbacks on the second cut. Always use the same side of the board against the fence for both cuts.

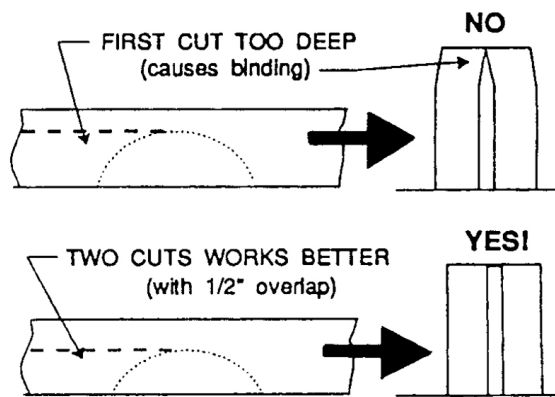


Figure 9-7

9.4 Crosscutting

Crosscutting is where the workpiece is fed cross grain into the saw blade using the miter gauge to support and position the workpiece (Figure 9-8).

Crosscutting should **never** be done freehand nor should the fence be used as an end stop unless an auxiliary block (A, Figure 9-9) is clamped to the front of the blade area such that the cutoff piece comes free of the block before cutting starts.

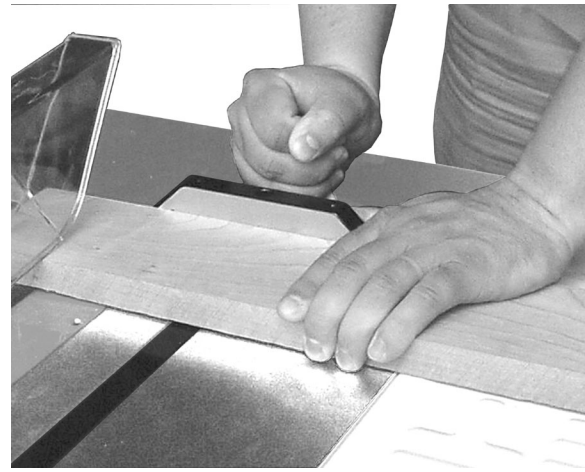


Figure 9-8

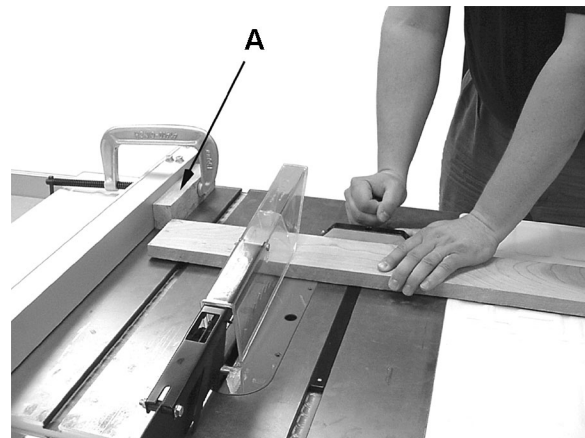


Figure 9-9

Length stops should not be used on the free end of the workpiece in the cutoff area.

Do **not** crosscut workpieces shorter than 6". Before starting a cut, be sure the miter gauge is securely clamped at the desired angle. Hold the workpiece firmly against the table and back against the miter gauge. **Always** use the saw guard and riving knife and make sure the riving knife is properly aligned.

For 90-degree crosscutting, most operators prefer to use the left-hand miter gauge slot. When using it in this position, hold the workpiece against the gauge with the left hand and use the right hand to advance the workpiece. When using the right hand slot for miter and compound crosscutting so that the blade tilts away from the gauge, the hand positions are reversed.

When using the miter gauge, the workpiece must be held firmly and advanced smoothly at a slow rate. If the workpiece is not held firmly, it can vibrate causing it to bind on the blade and dull the saw teeth.

To improve the effectiveness of the miter gauge in crosscutting, some users mount an auxiliary wooden extension face (A, Figure 9-10) with a glued-on strip of sandpaper (B) to the miter gauge.

Provide auxiliary support for any workpiece extending beyond the table top with a tendency to sag and lift up off the table.

Have the blade extend about 1/8" above the top of the workpiece. Exposing the blade above this point can be hazardous.

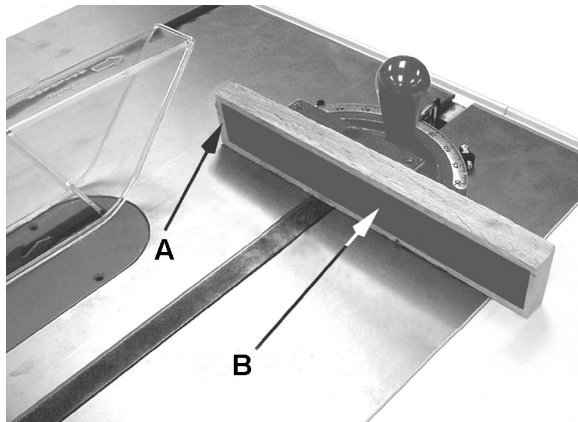


Figure 9-10

9.5 Bevel and miter operations

Bevel cut – A bevel cut is a special type of operation where the saw blade is tilted at an angle less than 90 degrees to the table top (Figure 9-11). Operations are performed in the same manner as ripping or crosscutting, except the fence or miter gauge should be used on the right-hand side of the blade to provide added safety in avoiding a binding action between blade and table top. When beveling with the miter gauge, the workpiece must be held firmly to prevent creeping.



Figure 9-11

Mitering – Crosscuts made at an angle to the edge of the workpiece are called miters (Figure 9-12). Set the miter gauge at the required angle, lock the miter gauge, and make the cut the same as a normal crosscut except the workpiece must be held extra firmly to prevent creeping.

Note: When making compound miters (with blade tilted) use the miter gauge in the right hand slot to provide more hand clearance and safety.

Have the blade extend only 1/8" above the top of the workpiece. Exposing the blade above this point can be hazardous.



Figure 9-12

Dado cutting – Dadoing is cutting a wide groove into a workpiece or cutting a rabbet along the edge of a workpiece. A dado insert (optional accessory, not provided) shown in Figure 9-13, is necessary for this type of operation.

CAUTION Do not use the standard table insert for dadoing operations.



Figure 9-13

The process of cutting 1/8" to 13/16" grooves in workpieces is accomplished by the use of a stacked dado blade set or an adjustable type blade mounted on the saw arbor. By using various combinations of stacked dado blades, or properly setting the dial on an adjustable blade, an accurate width dado can be made. This is very useful for shelving, making joints, tenoning, etc. The guard, riving knife, and anti-kickback pawls supplied with the saw should be used for all cutting operations where they can be used. When performing operations where the guard cannot be used, as in some dadoing operations, alternative safety precautions should be taken.

These include push sticks, feather boards, filler pieces, fixtures, jigs and any other appropriate device that can be utilized to keep operators' hands away from the blade. Upon completion of the operation requiring removal of the guard, the entire guard assembly must be placed back on the machine in its proper working order.

CAUTION Never use a dado head in a tilted position. Never operate the saw without the blade guard, riving knife and anti-kickback pawls for operations where they can be used.

10.0 Safety devices

Feather board

The feather board (Figure 10-1) should be made of straight grain hardwood approximately 1" thick and 4" to 8" wide depending on the size of the machine. The length is developed in accordance with intended use. Feather boards can be fastened to the table or rip fence by use of C-clamps. Alternatively, drilled and tapped holes in the table top allow the use of wing nuts and washers as a method of clamping. If this method of fastening is used, provide slots in the feather board for adjustment. (The illustration shows a method of attaching and use of the feather board as a vertical comb. The horizontal application is essentially the same except that the attachment is to the table top.)

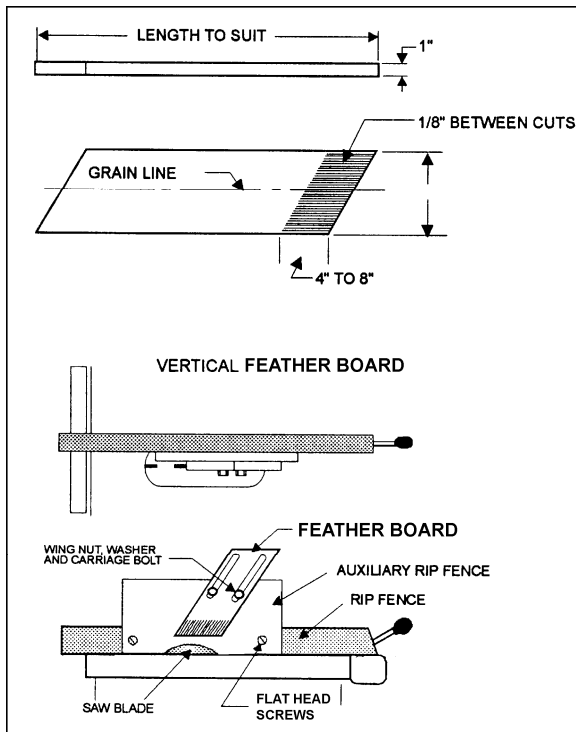


Figure 10-1

Push stick & push block

The use of a push block or push stick provides an added level of safety for the operator. A push stick is included with your table saw, but you may wish to make others personalized for different cutting procedures. The templates in Figures 10-2 and 10-3 offer construction details.

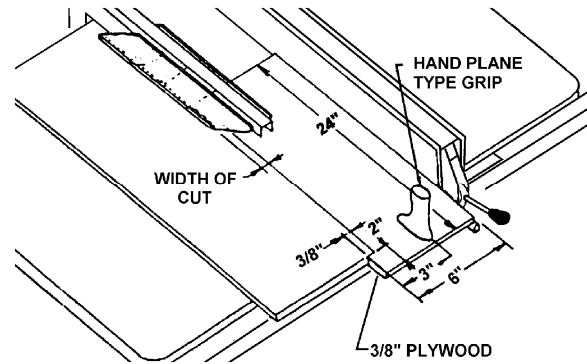


Figure 10-2 – Push Block Template

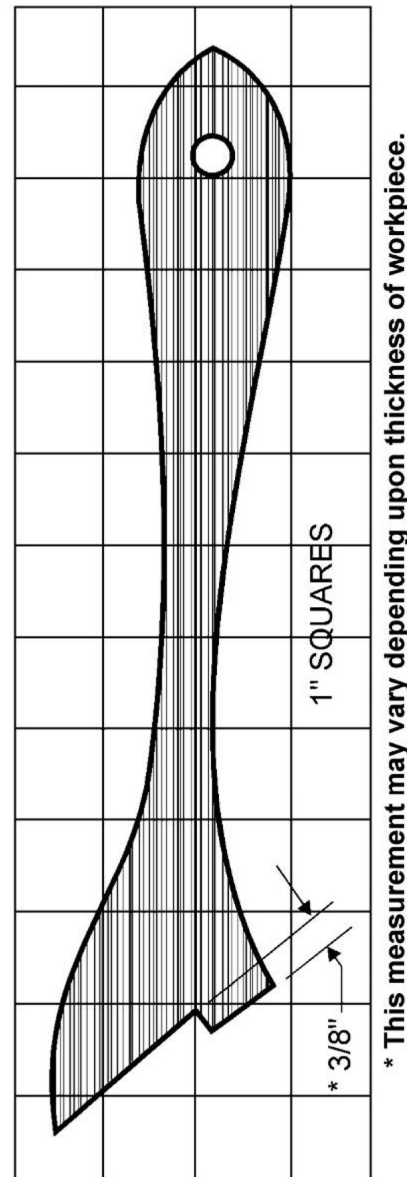


Figure 10-3 – Push stick template

11.0 User-maintenance

⚠WARNING Always disconnect power to the machine before performing maintenance. Failure to do this may result in serious personal injury.

11.1 Cleaning

Clean the JPS2 according to the schedule below to ensure maximum performance. The schedule assumes the saw is being used every day.

Daily:

- Use a brush or compressed air to remove chips or debris – do not use bare hands.
- Wipe down the table surface and T-slots with a rust preventive.
- Clean pitch and resin from the saw blade.

Weekly:

- Clean motor housing with compressed air.
- Wipe down fence rails with a dry silicon lubricant.

11.2 Lubrication

Lubricate the areas indicated below every 12 months.

- Lubricate blade angling trunnions with 6 or 7 drops of light machine oil.
- Lubricate the blade height trunnion with 6 or 7 drops of light machine oil.
- Worm gears and threads should be lubricated with an automotive wheel bearing grease.
- Check all adjustments after lubricating.

11.3 Additional servicing

Any additional servicing should be performed by authorized service personnel.

12.0 Optional accessories

These accessory items, purchased separately, can enhance the functionality of your table saw. Contact your dealer to order, or call JET at the phone number on the cover.



725004 – Dado Insert for ProShop II



708119 – Universal Mobile Base, adjustable up to 36" x 36"



708158 – Mobile Base Extension Kit (for saws equipped with wood extension table)

13.0 Troubleshooting JPS2 ProShop II

Symptom	Possible Cause	Correction
Motor will not start	Low voltage.	Check power line for proper voltage.
	Open circuit in motor or loose connection.	Inspect all lead connections on motor for loose or open connections.
Motor will not start: fuses or circuit breakers blow.	Short circuit in line cord or plug.	Inspect cord or plug for damaged insulation and shorted wires.
	Short circuit in motor or loose connections.	Inspect all connections on motor for loose or shorted terminals or worn insulation.
	Incorrect fuses or circuit breakers in power line.	Install correct fuses or circuit breakers.
Motor overheats.	Motor overloaded.	Reduce load on motor.
	Air circulation through the motor restricted.	Clean motor fan with compressed air to restore normal air circulation.
Motor stalls, resulting in blown fuses or tripped circuit.	Motor overloaded.	Reduce load on motor.
	Short circuit in motor or loose connections.	Inspect connections on motor for loose or shorted terminals or worn insulation.
	Low voltage.	Correct the low voltage conditions.
	Incorrect fuses or circuit breakers in power line.	Install correct fuses or circuit breakers.
Machine slows when operating.	Applying too much pressure to workpiece.	Feed workpiece more slowly.
	Belt loose.	Tighten belt.
Loud, repetitive noise coming from machine.	Pulley setscrews or keys are missing or loose.	Inspect keys and setscrews. Replace or tighten if necessary.
	Motor fan is hitting the cover.	Tighten fan or shim cover.
	Drive belt is defective.	Replace belt.
Blade not square with miter slot, or fence not square to blade.	Blade is warped.	Replace saw blade.
	Table top not parallel to blade.	Adjust table parallel to blade.
	Fence not parallel to blade.	Adjust fence parallel to blade.
Blade does not reach 90 degrees.	90 degree stop is out of adjustment.	Adjust 90 degree stop.

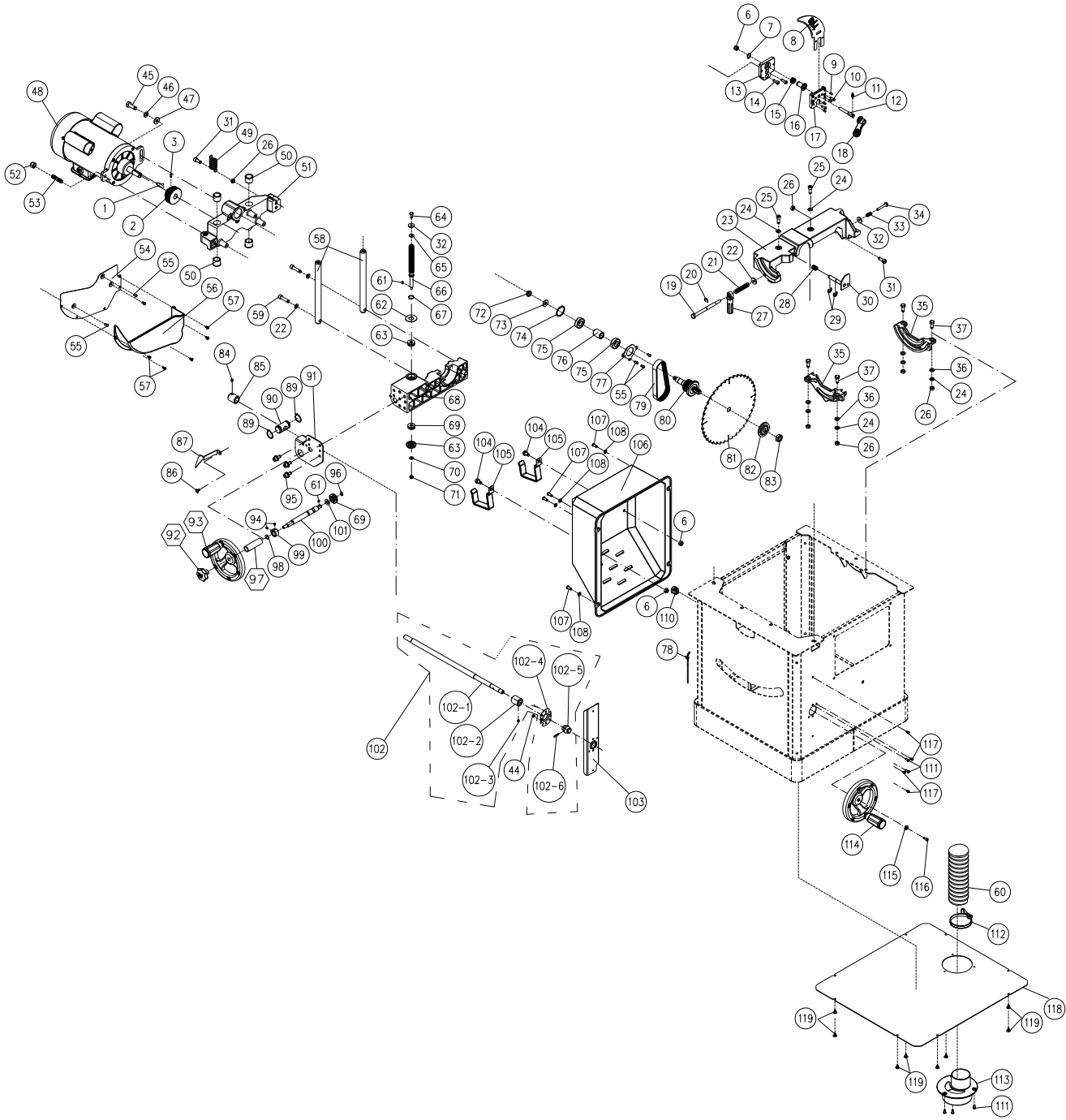
Table 4

14.0 Replacement Parts

Replacement parts are listed on the following pages. To order parts or reach our service department, call 1-800-274-6848 Monday through Friday, 8:00 a.m. to 5:00 p.m. CST. Having the Model Number and Serial Number of your machine available when you call will allow us to serve you quickly and accurately.

Non-proprietary parts, such as fasteners, can be found at local hardware stores, or may be ordered from JET. Some parts are shown for reference only, and may not be available individually.

14.1.1 Motor and Trunnion – Exploded View



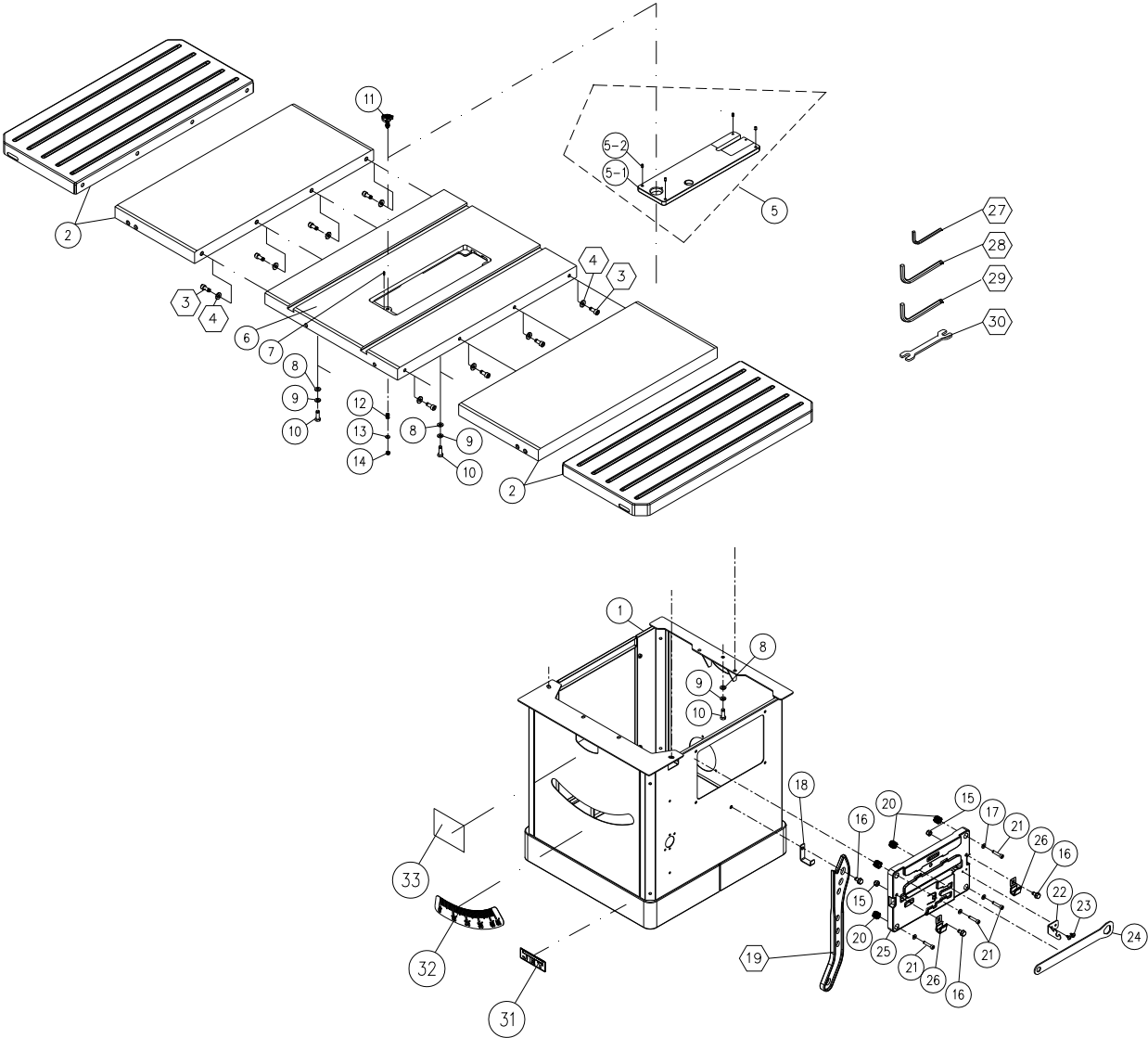
14.1.2 Motor and Trunnion – Parts List

Index No	Part No	Description	Size	Qty
1	6291479	Key, Dbl Rd Hd	5x5x30mm	1
2	JPS10TSC-102	Motor Pulley		1
3	TS-2276081	Socket Set Screw	M6-1.0Px8	2
6	TS-1541031	Nylon Lock Hex Nut	M8-1.25P	3
7	F006042	C-Retaining Ring, Ext	STW-14	1
8	JPS10TSC-108	Low Profile Riving Knife		1
9	TS-2276081	Socket Set Screw	M6-1.0Px8	4
10	TS-1533052	Phillips Pan Hd Machine Screw	M5-0.8Px16	2
11	JPS10TSC-111	Pin		1
12	JPS10TSC-112	Bolt		1
13	JPS10TSC-113	Riving Knife Clamp Base		1
14	TS-1504031	Socket Head Cap Screw	M8-1.25Px16	2
15	JPS10TSC-115	Spring		1
16	JPS10TSC-116	Bushing		1
17	JPS10TSC-117	Riving Knife Clamp Plate		1
18	JPS10TSC-118	Lock Handle		1
19	JPS10TSR-139	Bolt		1
20	JWTS10-138	E-Retaining Ring	ETW-8	1
21	JWTS10-141	Spring		1
22	TS-1550061	Flat Washer	M8	3
23	JPS10TSC-123	Trunnion Base		1
24	TS-2361081	Lock Washer	M8	9
25	TS-1504041	Socket Head Cap Screw	M8-1.25Px20	2
26	TS-1540061	Hex Nut	M8-1.25P	6
27	JWTS10-140	Lock Handle Kit		1
28	JPS10TSC-128	Spring		1
29	F006080	E-Retaining Ring	ETW-9	2
30	JPS10TSC-130	Spindle Lock Paddle		1
31	TS-1504041	Socket Head Cap Screw	M8-1.25Px20	2
32	TS-1550041	Flat Washer	M6	2
33	JWTS10-125	Spring		1
34	TS-1482081	Hex Cap Screw	M6-1.0Px40	1
35	JPS10TSR-173	Front & Rear Trunnion		2
36	TS-1550061	Flat Washer	M8	7
37	TS-1490041	Hex Cap Screw	M8-1.25Px25	4
44	TS-1541011	Nylon Lock Hex Nut	M5	2
45	TS-1491041	Hex Cap Screw	M10-1.5Px30	1
46	TS-2361101	Lock Washer	M10	1
47	TS-1550071	Flat Washer	M10	1
48	JPS10TSC-148-120	Motor	1.75HP 1PH 120V	1
	JPS10TSC-148-230	Motor	1.75HP 1PH 230V	1
	JPS10TSC-148MF	Motor Fan (not shown)		1
	JPS10TSC-148MFC	Motor Fan Cover (not shown)		1
	JPS10TSC-148CS	Centrifugal Switch (not shown)		1
	JPS10TSC-148SCC	Starting Capacitor Cover (not shown)		1
	JPS10TSC-148RCC	Running Capacitor Cover (not shown)		1
	JPS10TSC-148SC	Starting Capacitor (not shown)	200MFD, 125VAC	1
	JPS10TSC-148RC	Running Capacitor (not shown)	40µF, 300VAC	1
	JPS10TSC-148JB	Junction Box (not shown)		1
	JPS10TSC-148JBC	Junction Box Cover (not shown)		1
49	JPS10TSC-149	Spring		1
50	JPS10TSC-150	Bushing		4
51	JPS10TSC-151	Level Bracket		1
52	TS-2342101	Nylon Lock Hex Nut	M10-1.5P	1
53	JPS10TSC-153	Motor Bracket Pivot		1
54	JPS10TSC-154	Cover		1
55	TS-1533042	Phillips Pan Hd Machine Screw	M5-0.8Px12	6
56	JPS10TSC-156	Lower Dust Chute		1
57	TS-1533032	Phillips Pan Hd Machine Screw	M5-0.8Px8	5
58	JPS10TSC-158	Guide Bar		2

Index No	Part No	Description	Size	Qty
59	TS-1504071	Socket Head Cap Screw	M8-1.25Px35	2
60	JPS10TSC-160	Hose	2.5	1
61	JWP12-118	Key, Dbl Rd Hd	4x4x8mm	2
62	JPS10TSC-162	Plate		1
63	BB-51100	Thrust Bearing	51100	2
64	TS-1482031	Hex Cap Screw	M6-1.0Px16	1
65	TS-1550041	Flat Washer	M6	1
66	JPS10TSC-166	Lead Screw		1
67	F006044	C-Retaining Ring, Ext	STW-16	1
68	JPS10TSC-168	Lower Bracket		1
69	JPS10TSC-169	Bevel Gear		2
70	TS-1550041	Flat Washer	M6	1
71	TS-1541021	Nylon Lock Hex Nut	M6-1.0P	1
72	TS-2342101	Nylon Lock Hex Nut	M10-1.5P	1
73	TS-1550071	Flat Washer	M10	1
74	F006033	C-Retaining Ring, Int	RTW-35	1
75	BB-6003ZZ	Ball Bearing	6003ZZ	2
76	JPS10TSC-176	Spacer		1
77	JPS10TSC-177	Bearing Cover		1
78	JPS10TSC-178	Cable Clamp		1
79	JPS10TSC-179	Belt	135-J7	1
80	JPS10TSC-180	Arbor	5/8"	1
81	JPS10TSR-131	Saw Blade	10"x40T	1
82	JPS10TSC-182	Arbor Flange		1
83	JWTS10-133	Arbor Nut	5/8"-12	1
84	TS-1523011	Socket Set Screw	M6-1.0Px6	1
85	JPS10TSC-185	Limit Nut		1
86	TS-1533042	Phillips Pan Hd Machine Screw	M5-0.8Px12	1
87	JPS10TSC-187	Indicator		1
89	F006050	C-Retaining, Ext	STW-25	2
90	JPS10TSC-190	Guide Shaft		1
91	JPS10TSC-191	Shaft Bracket		1
92	JPS10TSC-192	Knob		1
93	JPS10TS-FHA	Front Handwheel Assembly (#93-1 thru #93-4)		1
93-1	JWTS10-147	Shaft (not shown)		1
93-2	JWTS10-145	Handle Cap (not shown)		1
93-3	JPS10TS-148	Handwheel (not shown)		1
93-4	JWTS10-146	Handle (not shown)		1
94	TS-1522011	Socket Set Screw	M5-0.8Px5	2
95	TS-1504041	Socket Head Cap Screw	M8-1.25Px20	3
96	F006040	C-Retaining Ring, Ext	STW-10	1
97	JPS10TSC-197	Bushing		1
98	JPS10TSC-198	O-Ring	P11	1
99	JPS10TSC-199	Bushing		1
100	JPS10TSC-1100	Lead Screw		1
101	TS-1550071	Flat Washer	M10	1
102	JPS10TSC-1102	Tilting Lead Screw Assembly (#102-1 thru 102-6)		1
102-1	JPS10TSC-11021	Lead Screw		1
102-2	JPS10TSC-185	Limit Nut		1
102-3	TS-1523011	Socket Set Screw	M6-1.0Px6	1
102-4	JWTS10-159	Collar Plate		1
102-5	JPS10TS-182	Turning Ball		1
102-6	F012072	Roll Pin	4x20mm	1
103	JPS10TSR-160	Support Bracket		1
104	TS-2228161	Hex Cap Screw	M8-1.25Px16	5
105	JPS10TSC-1105	Hook for Rip Fence		2
106	JPS10TSC-1106	Motor Cover		1
107	TS-1534052	Phillips Pan Head Mach Screw	M6-1.0Px16	4
108	TS-1550041	Flat Washer	M6	8
110	JPS10TSC-1110	Strain Relief	SR-6R1	1
111	TS-1533042	Phillips Pan Head Mach Screw	M5-0.8Px12	5

Index No	Part No	Description	Size	Qty
112	JPS10TSC-1112	Hose Clamp	60-80mm	1
113	JPS10TSC-1113A	Dust Chute (s/n 18061009 and higher)	1-1/2"to 4"	1
114	JPS10TS-SHA	Side Handwheel Assembly (#114-1, 93-1, 93-2, 93-4)		1
114-1	JPS10TS-168	Handwheel (Not shown)		1
115	TS-1502031	Socket Head Cap Screw	M5-0.8Px12	1
116	TS-2361051	Lock Washer	M5	1
117	F011315	Phillips Pan Hd Tap Screw	#10x1/2"	4
118	JPS10TSC-1118	Dust Plate (s/n 18061009 and higher)		1
119	ST059304	Phillips Pan Hd Tap Screw	M5x12	8

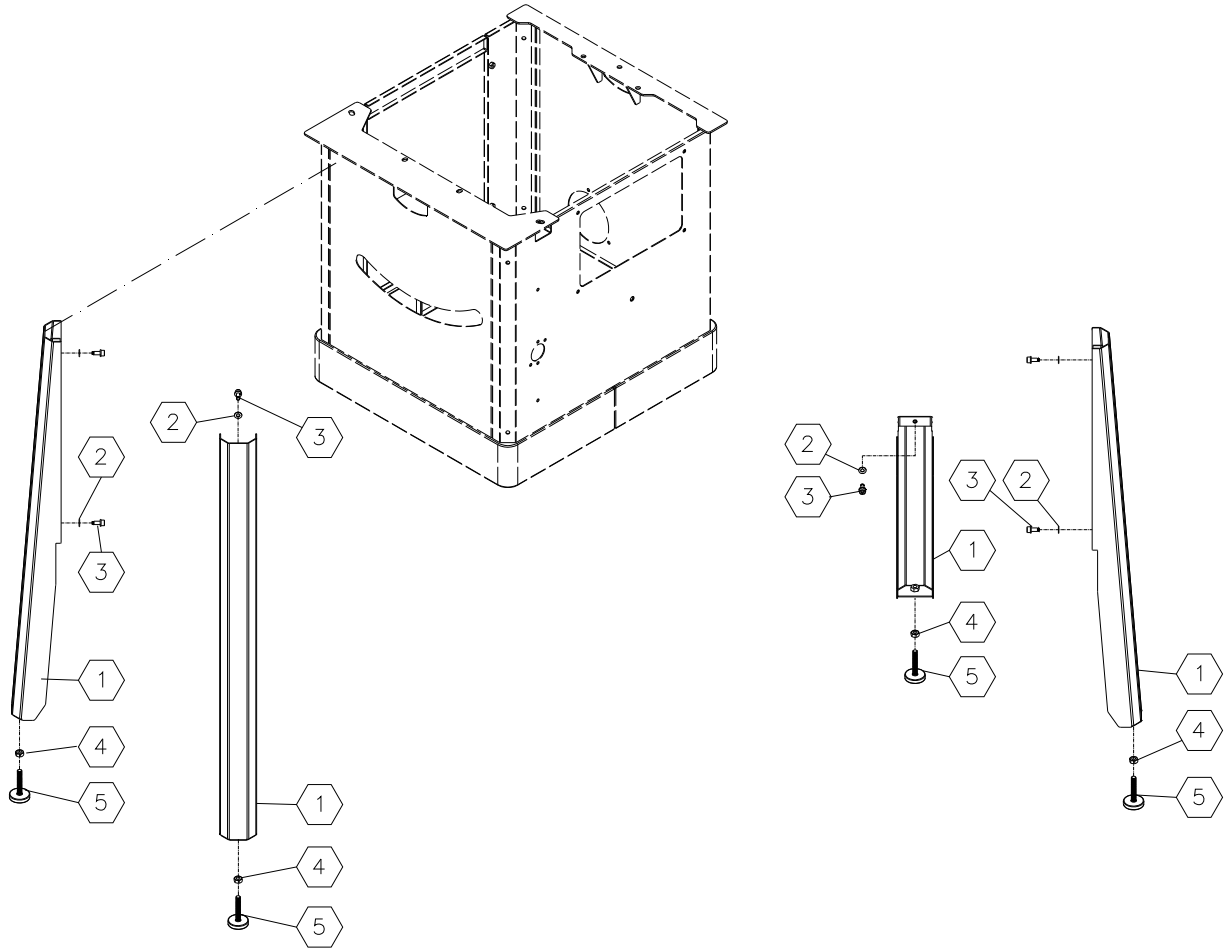
14.2.1 Table and Cabinet– Exploded View



14.2.2 Table and Cabinet– Parts List

Index No	Part No	Description	Size	Qty
1	JPS10TSC-201A	Cabinet (s/n 18061009 and higher)		1
2	725002	ProShop II Stamped Steel Wings (includes #3,4)		2
	725003	ProShop II Cast Wings (includes #3,4)		2
3	TS-1504041	Socket Head Cap Screw	M8-1.25x20	8
4	TS-1550061	Flat Washer	M8	8
5	JPS10TSC-205	Table Insert Assembly (#5-1, 5-2)		1
5-1	JPS10TSC-2051	Table Insert		1
5-2	TS-1522041	Socket Set Screw	M5-0.8x12	4
6	JPS10TSC-206	Main Table		1
7	6295178	Spring Pin	3x10 mm	1
8	TS-1550061	Flat Washer	M8	3
9	TS-2361081	Lock Washer	M8	3
10	TS-1490031	Hex Cap Screw	M8-1.25x20	3
11	JPS10TSC-211	Lock Knob		1
12	JPS10TSC-212	Spring		1
13	TS-1550031	Flat Washer	M5	1
14	TS-1541011	Nylon Lock Hex Nut	M5-0.8	1
15	TS-1541031	Nylon Lock Hex Nut	M8-1.25	3
16	TS-1490021	Hex Cap Screw	M8-1.25x16	3
17	TS-1550041	Flat Washer	M6	4
18	JPS10TSC-218	Hook		1
19	JPS10TSR-103	Push Stick		1
20	JPS10TSC-220	Spacer		4
21	TS-1503071	Socket Head Cap Screw	M6-1.0x30	4
22	JPS10TSC-222	Seat		1
23	ST059304	Phillips Pan Hd Tap Screw	M5x12	2
24	JPS10TSC-224	Arbor Wrench		1
25	JPS10TSC-225	Tool Storage		1
26	JPS10TSC-226	Miter Gauge Hook		2
27	5640841	Hex Wrench	2.5mm	1
28	TS-152705	Hex Wrench	4mm	1
29	TS-152706	Hex Wrench	5mm	1
30	JPS10TSR-104	Open End Wrench	11/13 mm	1
31	JET-92	JET Logo	92x38mm	1
32	JPS10TSC-232	Angle Scale		1
33	LM000310	Warning Label		1
34	LM000311	ID Label, JPS2-115 (not shown)		1
	LM000314	ID Label, JPS2-230 (not shown)		1

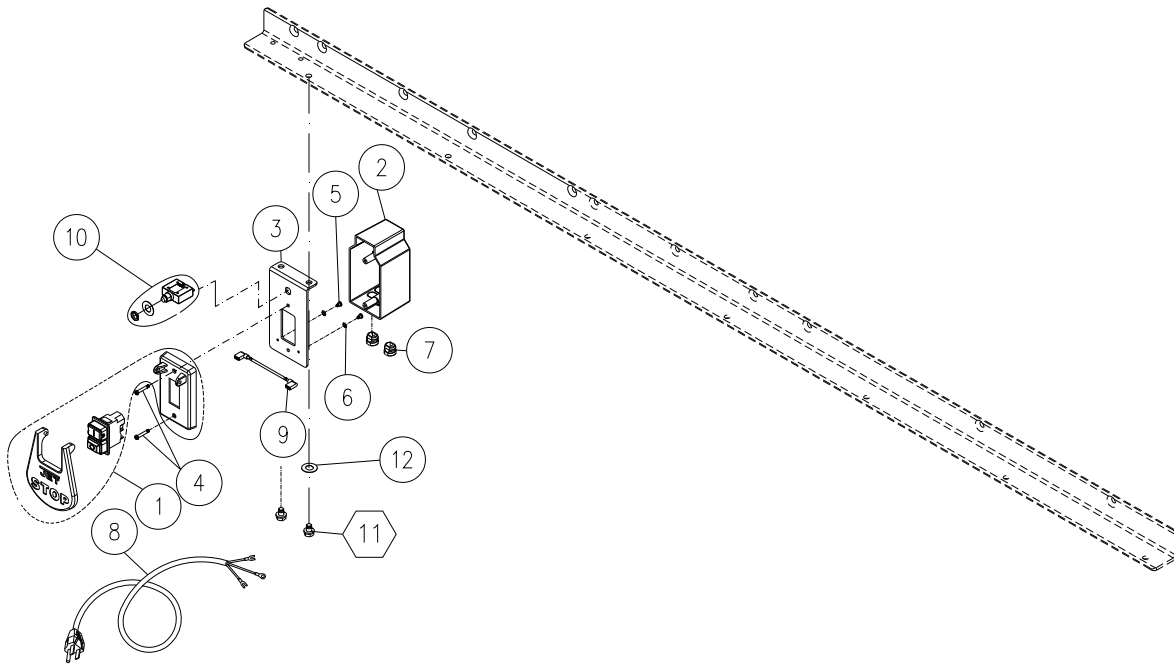
14.3.1 Stand Assembly – Exploded View



14.3.2 Stand Assembly – Parts List

Index No	Part No	Description	Size	Qty
1	JPS10TSC-301	Leg		4
2	TS-1550041	Flat Washer	M6	8
3	TS-1482031	Socket Head Cap Screw	M6-1.0x16	8
4	TS-1540061	Hex Nut	M8	4
5	JPS10TSC-305	Leveler		4

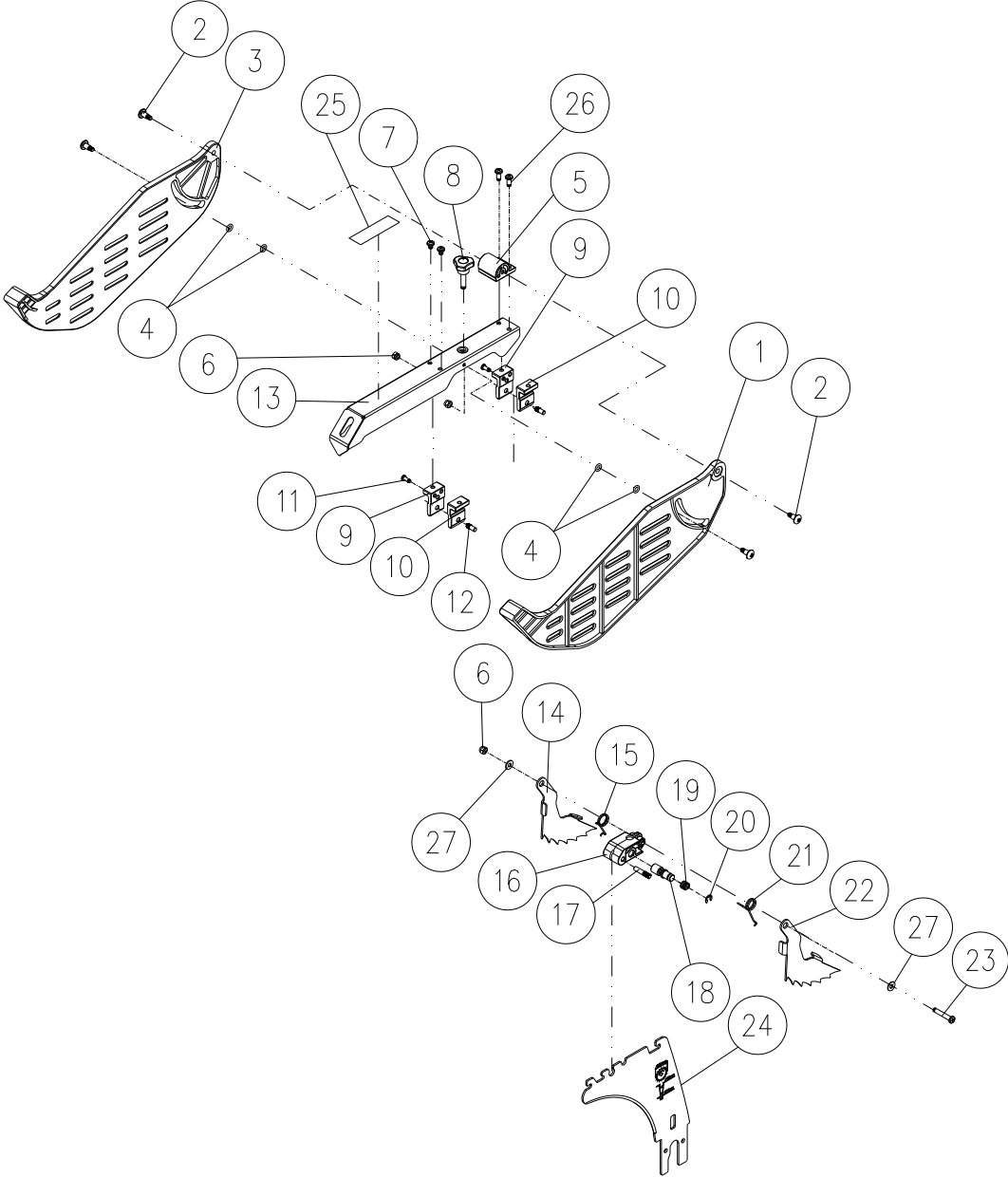
14.4.1 Switch Assembly – Exploded View



14.4.2 Switch Assembly – Parts List

Index No	Part No	Description	Size	Qty
1	JPS10TSC-401	Magnetic Switch Kit	120V	1
	JPS10TSC-401A	Magnetic Switch Kit	230V	1
2	JPS10TSC-402	Switch Box		1
3	JPS10TSC-403	Switch Plate		1
4	JPS10TSC-404	Machine Screw	M4x32	2
5	TS-2171012	Phillips Pan HD Mach Screw	M4-0.7x6	2
6	F002095	Lock Washer, Ext Tooth	M4	2
7	JPS10TS-351	Strain Relief	SR-6R3	2
8	JPS10TSC-408	Power Cable	5-15P, 115V	1
	JPS10TSC-408A	Power Cable	6-15P, 230V	1
9	JPS10TSC-409	Connection Wire		1
10	JPS10TSC-410	Overload Protector	18A, 115V	1
	JPS10TSC-410A	Overload Protector	9A, 230V	1
11	5507669	Hex Cap Screw	M8x10	2
12	TS-1550061	Flat Washer	M8	2
13	JPS10TSC-413	Motor Cable (not shown)		1

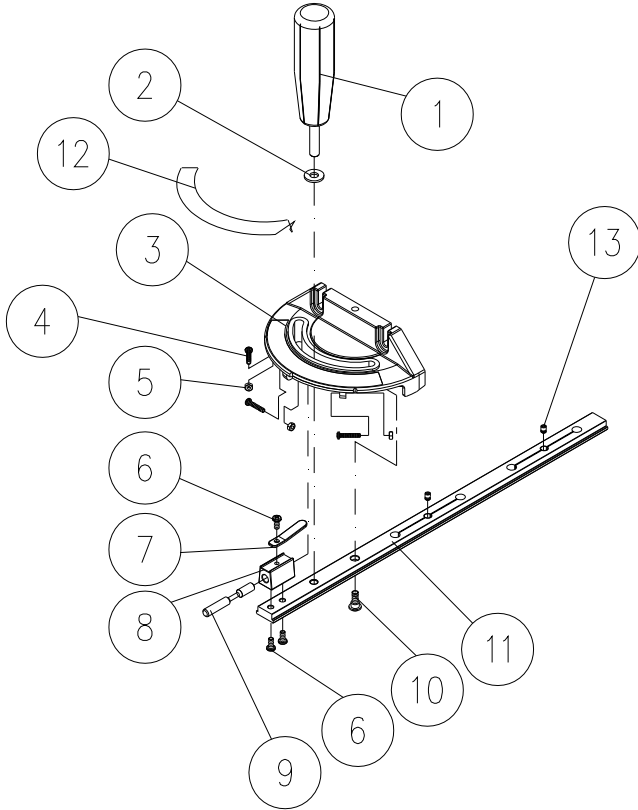
14.5.1 Blade Guard Assembly – Exploded View



14.5.2 Blade Guard Assembly – Parts List

Index No	Part No	Description	Size	Qty
1	JPS10TSC-501	Right Side Blade Guard		1
2	JPS10TSC-502	Screw		4
3	JPS10TSC-503	Left Side Blade Guard		1
4	JPS10TSC-504	O-Ring	P006	4
5	JPS10TSC-505	Pivot Bracket		1
6	TS-1541011	Nylon Lock Hex Nut	M5	3
7	F001200	Phillips Pan Hd Mach Screw	M5-0.8x6	2
8	JPS10TSC-508	Knob		1
9	JPS10TSC-509	Left Side Guard Seat		2
10	JPS10TSC-510	Right Side Guard Seat		2
11	TS-1532032	Phillips Pan Hd Mach Screw	M4-0.7x10	2
12	JPS10TSC-512	Pin		2
13	JPS10TSC-513	Support Arm		1
	JPS10TSR-AKPA	Anti-Kickback Pawl Assembly (#6, 14 thru 23, 27)		1
14	JPS10TSR-363	Left Side Anti-kickback Pawl		1
15	JPS10TSR-364	Spring		1
16	JPS10TSR-365	Anti-kickback Pawl Bracket		1
17	JPS10TSR-366	Pin		1
18	JPS10TSR-367	Shaft		1
19	JPS10TSR-368	Spring		1
20	JPS10TS-361	E-Retaining Ring	ETW-7	1
21	JPS10TSR-370	Spring		1
22	JPS10TSR-371	Right Side Anti-kickback Pawl		1
23	TS-2285302	Phillips Pan Head Machine Screw	M5-0.8Px30	1
24	JPS10TSC-524	Riving Knife		1
25	LM000315	Warning Label – Blade Guard	1"x5"	1
26	TS-1533042	Phillips Pan Hd Mach Screw	M5-0.8x12	2
27	TS-1550031	Flat Washer	M5	2

14.6.1 Miter Gauge Assembly – Exploded View

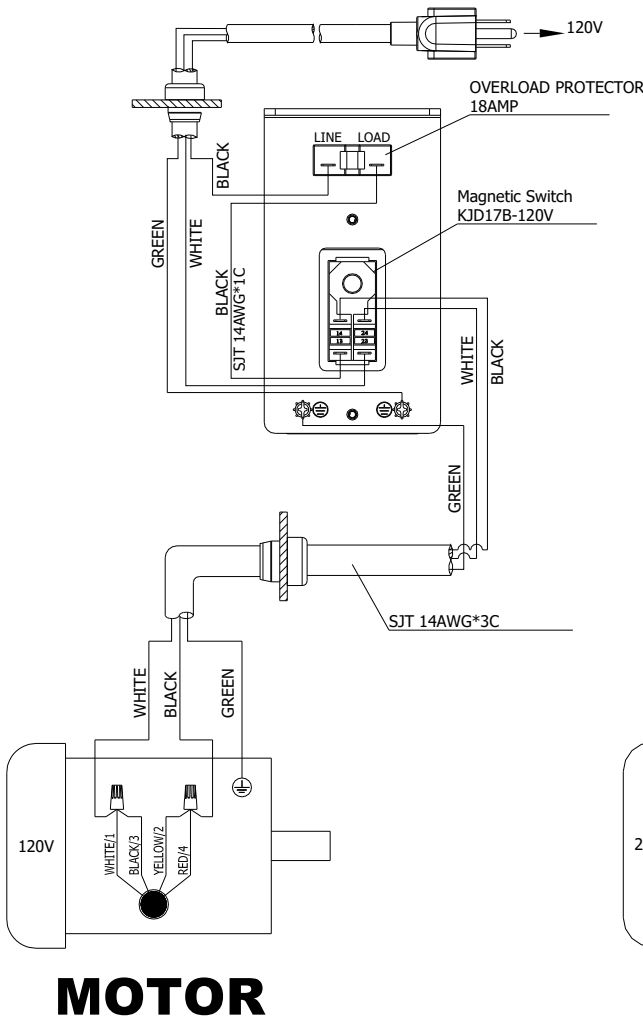


14.6.2 Miter Gauge Assembly – Parts List

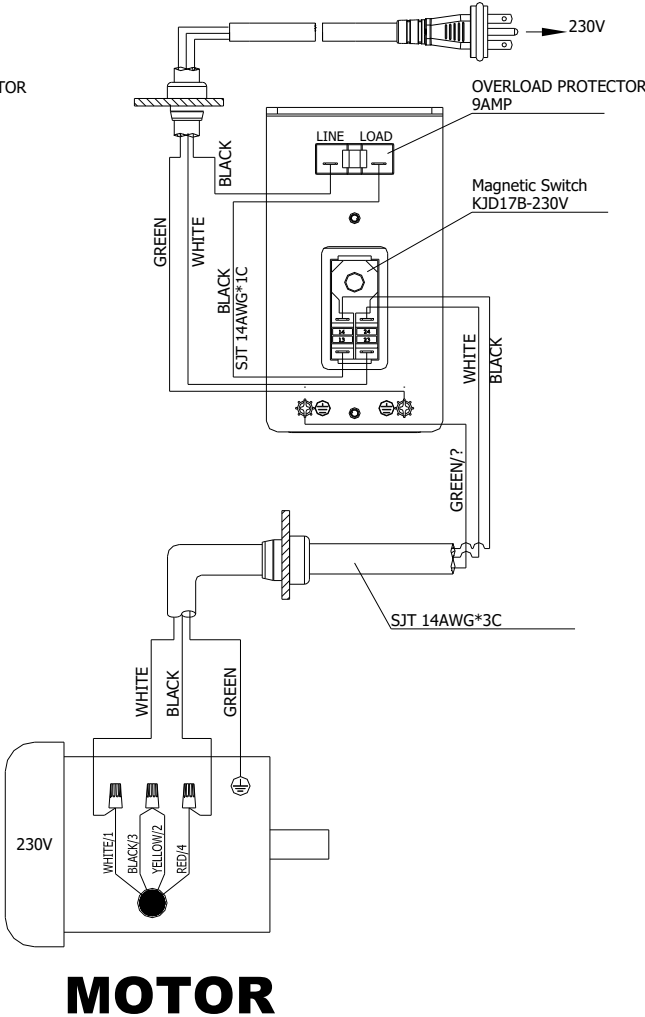
.....	JPS10TSC-MG	Miter Gauge Assembly (#1 thru 13).....	1
1	JPS10TS-327	Handle	1
2	TS-0680041	Flat Washer	3/8"..... 1
3	JWTS10-329	Miter Gauge Body.....	1
4	TS-2284202	Phillips Pan Head Machine Screw.....	M40.7x20..... 3
5	TS-1540021	Hex Nut.....	M4..... 3
6	TS-1533032	Phillips Pan Head Machine Screw.....	M5-0.8x10..... 3
7	JWTS10-333	Pointer	1
8	JWTS10-334	Bracket	1
9	JWTS10-335	Stop Pin	1
10	JWTS10-336	Screw.....	1
11	JPS10TSC-611	Miter Bar	1
12	JPS10TS-340	Scale.....	1
13	F010450	Socket Set Screw	M8-1.25x5..... 2

15.0 Electrical Connections for JPS2

120V



230V



16.0 Warranty and Service

JET warrants every product it sells against manufacturers' defects. If one of our tools needs service or repair, please contact Technical Service by calling 1-800-274-6846, 8AM to 5PM CST, Monday through Friday.

Warranty Period

The general warranty lasts for the time period specified in the literature included with your product or on the official JET branded website.

- JET products carry a limited warranty which varies in duration based upon the product. (See chart below)
- Accessories carry a limited warranty of one year from the date of receipt.
- Consumable items are defined as expendable parts or accessories expected to become inoperable within a reasonable amount of use and are covered by a 90 day limited warranty against manufacturer's defects.

Who is Covered

This warranty covers only the initial purchaser of the product from the date of delivery.

What is Covered

This warranty covers any defects in workmanship or materials subject to the limitations stated below. This warranty does not cover failures due directly or indirectly to misuse, abuse, negligence or accidents, normal wear-and-tear, improper repair, alterations or lack of maintenance. JET woodworking machinery is designed to be used with Wood. Use of these machines in the processing of metal, plastics, or other materials outside recommended guidelines may void the warranty. The exceptions are acrylics and other natural items that are made specifically for wood turning.

Warranty Limitations

Woodworking products with a Five Year Warranty that are used for commercial or industrial purposes default to a Two Year Warranty. Please contact Technical Service at 1-800-274-6846 for further clarification.

How to Get Technical Support

Please contact Technical Service by calling 1-800-274-6846. **Please note that you will be asked to provide proof of initial purchase when calling.** If a product requires further inspection, the Technical Service representative will explain and assist with any additional action needed. JET has Authorized Service Centers located throughout the United States. For the name of an Authorized Service Center in your area call 1-800-274-6846 or use the Service Center Locator on the JET website.

More Information

JET is constantly adding new products. For complete, up-to-date product information, check with your local distributor or visit the JET website.

How State Law Applies

This warranty gives you specific legal rights, subject to applicable state law.

Limitations on This Warranty

JET LIMITS ALL IMPLIED WARRANTIES TO THE PERIOD OF THE LIMITED WARRANTY FOR EACH PRODUCT. EXCEPT AS STATED HEREIN, ANY IMPLIED WARRANTIES OF MERCHANTABILITY AND FITNESS FOR A PARTICULAR PURPOSE ARE EXCLUDED. SOME STATES DO NOT ALLOW LIMITATIONS ON HOW LONG AN IMPLIED WARRANTY LASTS, SO THE ABOVE LIMITATION MAY NOT APPLY TO YOU.

JET SHALL IN NO EVENT BE LIABLE FOR DEATH, INJURIES TO PERSONS OR PROPERTY, OR FOR INCIDENTAL, CONTINGENT, SPECIAL, OR CONSEQUENTIAL DAMAGES ARISING FROM THE USE OF OUR PRODUCTS. SOME STATES DO NOT ALLOW THE EXCLUSION OR LIMITATION OF INCIDENTAL OR CONSEQUENTIAL DAMAGES, SO THE ABOVE LIMITATION OR EXCLUSION MAY NOT APPLY TO YOU.

JET sells through distributors only. The specifications listed in JET printed materials and on official JET website are given as general information and are not binding. JET reserves the right to effect at any time, without prior notice, those alterations to parts, fittings, and accessory equipment which they may deem necessary for any reason whatsoever. JET® branded products are not sold in Canada by JPW Industries, Inc.

Product Listing with Warranty Period

90 Days – Parts; Consumable items
1 Year – Motors; Machine Accessories
2 Year – Metalworking Machinery; Electric Hoists, Electric Hoist Accessories; Woodworking Machinery used for industrial or commercial purposes
5 Year – Woodworking Machinery
Limited Lifetime – JET Parallel clamps; VOLT Series Electric Hoists; Manual Hoists; Manual Hoist Accessories; Shop Tools; Warehouse & Dock products; Hand Tools; Air Tools

NOTE: JET is a division of JPW Industries, Inc. References in this document to JET also apply to JPW Industries, Inc., or any of its successors in interest to the JET brand.

This page intentionally left blank.

This page intentionally left blank.

This page intentionally left blank.



427 New Sanford Road
LaVergne, Tennessee 37086
Phone: 800-274-6848
www.jettools.com