



# Operating Instructions and Parts Manual

## 22" Oscillating Open-End Drum Sander

Model JWDS-2244OSC



shown with optional infeed/outfeed tables

**JET**  
427 New Sanford Road  
LaVergne, Tennessee 37086  
Ph.: 800-274-6848  
www.jettools.com

**Part No. M-723544**  
Edition 1 09/2018  
Copyright © 2018 JET



## 1.0 IMPORTANT SAFETY INSTRUCTIONS

### WARNING – To reduce risk of injury:

1. Read and understand the entire owner's manual before attempting assembly or operation.
2. Read and understand the warnings posted on the machine and in this manual. Failure to comply with all of these warnings may cause serious injury.
3. Replace warning labels if they become obscured or removed.
4. This drum sander is designed and intended for use by properly trained and experienced personnel only. If you are not familiar with the proper and safe operation of a drum sander, do not use until proper training and knowledge have been obtained.
5. Do not use this drum sander for other than its intended use. If used for other purposes, JET disclaims any real or implied warranty and holds itself harmless from any injury that may result from that use.
6. Always wear ANSI Z87.1 approved safety glasses or face shield while using this drum sander. (Everyday eyeglasses only have impact resistant lenses; they are *not* safety glasses.)
7. Before operating this machine, remove tie, rings, watches and other jewelry, and roll sleeves up past the elbows. Do not wear loose clothing. Confine long hair. Non-slip footwear or anti-skid floor strips are recommended. Do not wear gloves.
8. Kickback occurs when the workpiece is thrown towards the operator at a high rate of speed. If you do not have a clear understanding of kickback and how it occurs, DO NOT operate this drum sander.
9. Wear hearing protection (plugs or muffs) during extended periods of operation.
10. Do not operate this machine while tired or under the influence of drugs, alcohol or any medication.
11. Make certain the switch is in the OFF position before connecting the machine to the power supply.
12. Make certain the machine is properly grounded.
13. Make all machine adjustments or maintenance with the machine unplugged from the power source.
14. Remove adjusting keys and wrenches. Form a habit of checking to see that keys and adjusting wrenches are removed from the machine before turning it on.
15. Keep safety guards in place at all times when the machine is in use. If removed for maintenance purposes, use extreme caution and replace the guards immediately after completion of maintenance.
16. Make sure the sander is firmly secured to the stand or work table before use.
17. Check damaged parts. Before further use of the machine, a guard or other part that is damaged should be carefully checked to determine that it will operate properly and perform its intended function. Check for alignment of moving parts, binding of moving parts, breakage of parts, mounting and any other conditions that may affect its operation. A guard or other part that is damaged should be properly repaired or replaced.
18. Provide for adequate space surrounding work area and non-glare, overhead lighting.
19. Keep the floor around the machine clean and free of scrap material, oil and grease.
20. Keep visitors a safe distance from the work area. Keep children away.
21. Make your workshop child proof with padlocks, master switches or by removing starter keys.
22. Give your work undivided attention. Looking around, carrying on a conversation and “horse-play” are careless acts that can result in serious injury.
23. Maintain a balanced stance at all times so that you do not fall onto moving parts. Do not overreach or use excessive force to perform any machine operation.
24. Use the right tool at the correct speed and feed rate. Do not force a tool or attachment to do a job for which it was not designed. The right tool will do the job better and more safely.
25. Use recommended accessories; improper accessories may be hazardous.
26. Maintain tools with care. Keep conveyor and abrasives clean for the best and safest performance. Follow instructions for lubricating and changing accessories.
27. Turn off the machine before cleaning. Use a brush or compressed air to remove chips or debris — do not use bare hands.

28. Do not stand on the machine. Serious injury could occur if the machine tips over.
29. Never leave the machine running unattended. Turn the power off and do not leave the machine until it comes to a complete stop.
30. Remove loose items and unnecessary work pieces from the area before starting the machine.
31. Stand out of the path of workpiece when feeding a board.
32. Always feed stock against the rotation of drum.
33. Keep hands clear when feeding parts onto the conveyor. The part will be forced down as it begins to feed, causing a pinching action between the part and the conveyor table. Never reach into a running machine. Turn off sander, allow it to come to a complete stop, and disconnect from power, before attempting to retrieve parts from beneath the drum.
34. Pay particular attention to instructions on reducing risk of kickback.

35. Don't use in dangerous environment. Don't use power tools in damp or wet location, or expose them to rain. Keep work area well lighted.

**⚠ WARNING:** This product can expose you to chemicals including lead which is known to the State of California to cause cancer and birth defects or other reproductive harm. For more information go to <http://www.p65warnings.ca.gov>.

**⚠ WARNING:** Drilling, sawing, sanding or machining wood products generates wood dust and other substances known to the State of California to cause cancer. Avoid inhaling dust generated from wood products or use a dust mask or other safeguards for personal protection.

Wood products emit chemicals known to the State of California to cause birth defects or other reproductive harm. For more information go to <http://www.p65warnings.ca.gov/wood>.

## SAVE THESE INSTRUCTIONS

Familiarize yourself with the following safety notices used in this manual:

### **⚠ CAUTION**

This means that if precautions are not heeded, it may result in minor injury and/or possible machine damage.

### **⚠ WARNING**

This means that if precautions are not heeded, it may result in serious, or possibly even fatal, injury.

## 2.0 About this manual

This manual is provided by JET, covering the safe operation and maintenance procedures for a JET Model JWDS-2244OSC Drum Sander. This manual contains instructions on installation, safety precautions, general operating procedures, maintenance instructions and parts breakdown. Your machine has been designed and constructed to provide consistent, long-term operation if used in accordance with the instructions set forth in this document.

This manual is not intended to be an exhaustive guide to sanding methods, choice of stock, selection of abrasives, etc. Additional knowledge may be obtained from experienced users or trade articles. Whatever accepted methods are used, always make personal safety a priority.

If there are questions or comments, please contact your local supplier or JET. JET can also be reached at our web site: [www.jettools.com](http://www.jettools.com).

Retain this manual for future reference. If the machine transfers ownership, the manual should accompany it.

**Register your product online** - <http://www.jettools.com/us/en/service-and-support/warranty/registration/>

## 3.0 Table of contents

Section	Page
1.0 IMPORTANT SAFETY INSTRUCTIONS .....	2
2.0 About this manual .....	3
3.0 Table of contents.....	4
4.0 Specifications for JWDS-2244OSC.....	5
5.0 Features and Terminology .....	7
6.0 Setup and assembly.....	8
6.1 Shipping contents.....	8
6.2 Tools required for assembly .....	8
6.3 Assembling stand.....	9
6.4 Mounting sander to stand.....	9
6.5 Handle and hose hanger .....	9
6.6 Folding infeed/outfeed tables (OPTIONAL).....	9
6.7 Dust collection .....	10
6.8 Installing abrasives.....	10
7.0 Electrical connections .....	11
7.1 GROUNDING INSTRUCTIONS .....	11
7.2 Extension cords.....	12
8.0 Adjustments .....	12
8.1 Drum Height Control.....	12
8.2 Depth scale .....	12
8.3 Infeed/Outfeed Table Adjustment (OPTIONAL).....	12
8.4 Conveyor belt tension/tracking.....	13
8.5 Inspecting drum alignment.....	13
8.6 Tension roller adjustment .....	14
9.0 Operations.....	14
9.1 On/off switch (sanding drum) .....	14
9.2 Oscillation mode.....	14
9.3 Basic Operating Procedure .....	15
9.4 Setting depth of cut .....	15
9.5 Establishing drum height.....	15
9.6 Selecting SandSmart™ feed rates.....	15
9.7 Maximum performance tips.....	16
10.0 User-maintenance.....	17
10.1 Cleaning and lubrication.....	17
10.2 Drum elevation adjustment.....	17
10.3 Conveyor belt replacement .....	17
10.4 Commutator brush inspection .....	18
10.5 Additional servicing .....	18
11.0 Tracker kit .....	19
12.0 Abrasives .....	20
12.1 Selecting drum abrasives.....	20
12.2 Cleaning abrasive strips.....	20
12.3 Increasing abrasive life.....	20
12.4 Abrasive selection guide .....	20
13.0 Troubleshooting JWDS-2244OSC Drum Sander.....	21
14.0 Optional accessories for JWDS-2244OSC .....	23
15.0 Replacement Parts.....	23
15.1.1 JWDS-2244OSC Head Assembly – Exploded View .....	24
15.1.2 JWDS-2244OSC Head Assembly – Parts List.....	25
15.2.1 JWDS-2244OSC/-2550 Conveyor Table Assembly – Exploded View .....	28
15.2.2 JWDS-2244OSC/-2550 Conveyor Table Assembly – Parts List.....	29
15.3.1 (OPTIONAL) 723551 Infeed/Outfeed Tables – Exploded View .....	30
15.3.2 (OPTIONAL) 723551 Infeed/Outfeed Tables – Parts List.....	30
15.4.1 (OPTIONAL) Closed Stand for JWDS-2244OSC/-2550 – Exploded View.....	31
15.4.2 (OPTIONAL) Closed Stand for JWDS-2244OSC/-2550 – Parts List.....	31
15.5.1 (OPTIONAL) Digital Readout for JWDS-2244/-2550 – Exploded View.....	32
15.5.2 (OPTIONAL) Digital Readout for JWDS-2244/-2550 – Parts List .....	32
16.0 Electrical Connections for JWDS-2244OSC .....	33
17.0 Warranty and service .....	34

## 4.0 Specifications for JWDS-2244OSC

Table 1

Model number		JWDS-2244OSC
Stock numbers	Sander/conveyor	723544
	Sander/conveyor/closed stand	723544OSCK
	Closed stand	723544CS
Accessories (separate purchase unless indicated otherwise)	Folding Infeed/outfeed tables	723551
	Digital readout	723552
<b>Motor and Electricals</b>		
Drum motor type		Totally enclosed, fan-cooled induction
Horsepower		1-3/4 HP (1.3 kW)
Phase		1
Voltage		115 V
Cycle		60 Hz
Listed FLA (full load amps)		15 A
Motor speed		1725 RPM
Starting amps		43 A
Running amps (no load)		6.8 A
Start capacitor		300MFD 125VAC
Run capacitor		50µF 250VAC
Conveyor motor type		totally enclosed DC
Horsepower		1/30 HP (25 W)
Phase		1
Voltage		115 V
Listed FLA (full load amps)		0.6 A
Motor speed		54 RPM
Oscillating motor type		totally enclosed DC
Horsepower		1/30 HP (25 W)
Phase		1
Voltage		115 V
Listed FLA (full load amps)		0.6 A
Motor speed		120 RPM
On/off switch		Toggle with safety key
Power transfer		Direct drive
Power cable and plug		SJT 12AWG x 3C 300V, 6 ft., 15A plug
Recommended circuit size <sup>1</sup>		20 A
Sound emission <sup>2</sup>		68.5 dB at 100cm; 70 dB at 50cm
<b>Capacities</b>		
Maximum board width (single pass)		22 in. (55.9 cm)
Maximum board width (two passes)		44 in. (111.76 cm)
Maximum board thickness		4 in. (102 mm)
Minimum board length		2-3/8 in. (60 mm)
Minimum board thickness <sup>3</sup>		1/32 in. (0.8 mm)
OPTIONAL infeed/outfeed table capacity		35 lbs. (16 kg)
<b>Main materials</b>		
Main body		aluminum die casting and steel
Drum		extruded aluminum
Conveyor table		steel
Drum height adjustment handle		Aluminum die casting and plastic
OPTIONAL Infeed/Outfeed tables		steel

<b>Sanding Drum</b>	
Drum dimensions, L x Dia	23 x 5 in. (584 x 127mm)
Drum speed	1725 RPM
Oscillation speed	Variable, 0-120 strokes per minute; 3/4" (19mm) stroke
Abrasive installed	80 Grit
Drum elevation per one rotation of handwheel	1/16 in. (1.6 mm)
<b>Conveyor</b>	
Conveyor speed	variable within 0 to 10 FPM (0-3 MPM)
Conveyor table dimensions	26 x 21-3/4 in. (660.4 x 552.5 mm)
Conveyor height from floor	33-3/4 in. (857 mm)
<b>Dust collection</b>	
Dust port outside diameter	4 in. (100 mm)
Recommended minimum extraction volume	550 CFM (15.6 CMM)
<b>Dimensions</b>	
Assembled dimensions, mounted to closed stand, LxWxH	47-1/4 x 24 x 52 in. (120 x 61 x 132 cm)
Shipping crate, base machine, LxWxH	52 x 27-1/2 x 28-1/4 in. (132 x 70 x 71.75 cm)
Shipping carton, closed stand, LxWxH	40-9/16 x 19-11/16 x 30-5/16 in. (103 x 50 x 77 cm)
<b>Weights</b>	
Net weight, base machine only (approx.)	216 lbs. (98 kg)
Shipping weight, base machine only (approx.)	289 lbs. (131.5 kg)

<sup>1</sup> Subject to local/national electrical codes.

<sup>2</sup> The specified values are emission levels and are not necessarily to be seen as safe operating levels. As workplace conditions vary, this information is intended to allow the user to make a better estimation of the hazards and risks involved only.

<sup>3</sup> Use of a carrier or backer board (not provided) is recommended for cuts 1/16" or less. See sect. 9.3.

L=length, W=width, H=height, Dia=diameter

The specifications in this manual were current at time of publication, but because of our policy of continuous improvement, JET reserves the right to change specifications at any time and without prior notice, without incurring obligations.

## 5.0 Features and Terminology

The illustration below shows the major components and features of the JWDS-2244OSC Sander. These are referenced throughout the manual and will help to familiarize you with the operation and functions of the machine.

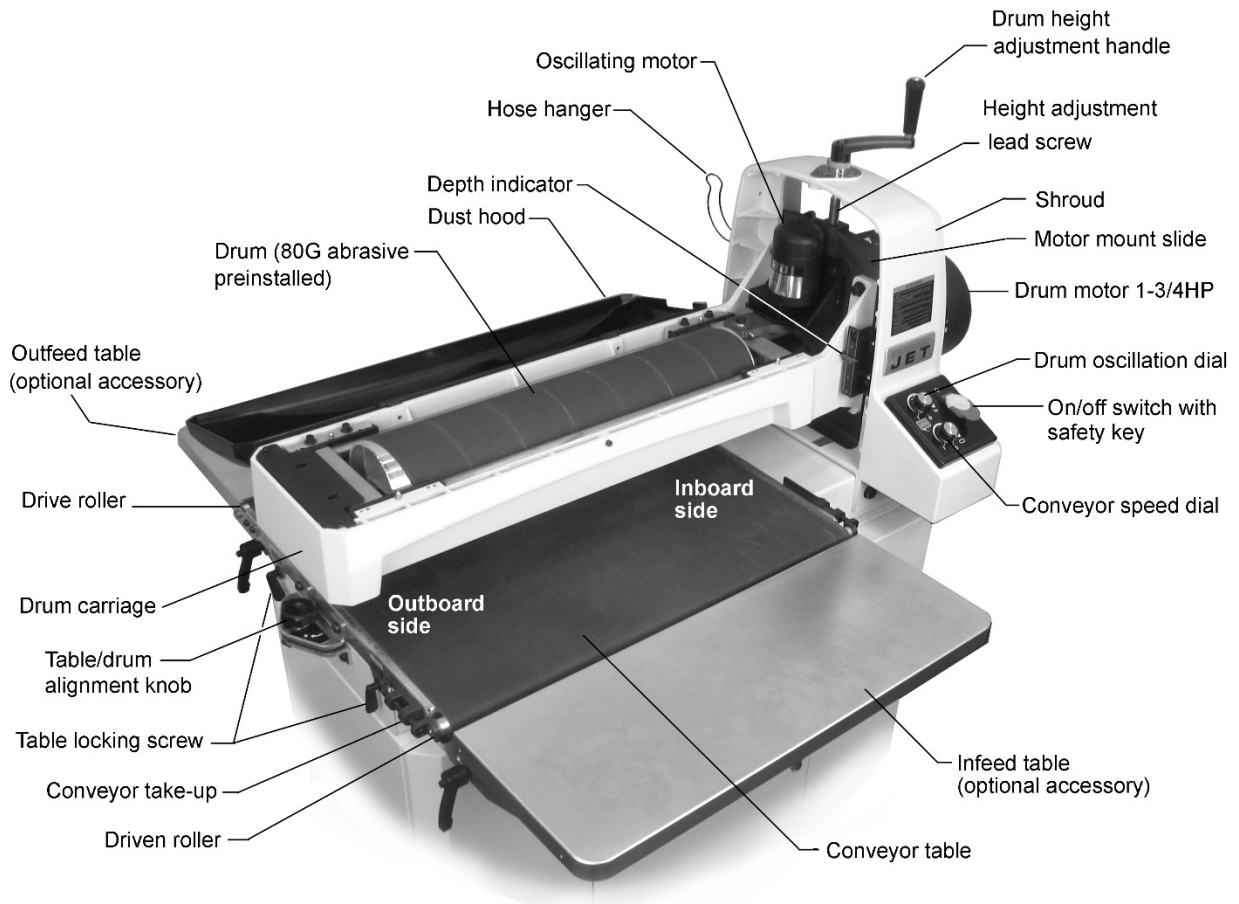


Figure 5-1: features

## **WARNING**

Read and understand the entire contents of this manual before attempting set-up or operation! Failure to comply may cause serious injury.

NOTE: Figures in this manual may show Sander with stand and extension tables. The extension tables are optional accessories and are purchased separately.

## 6.0 Setup and assembly

Open boxes and check for shipping damage. Report any damage immediately to your distributor and shipping agent. Do not discard any shipping material until the Drum Sander is assembled and running properly.

Compare the contents of your boxes with the following parts list to make sure all parts are intact. Any missing parts should be reported to your distributor. Read this instruction manual thoroughly for assembly, maintenance and safety instructions.

### 6.1 Shipping contents

#### Drum Sander (Figure 6-1)

- 1 Sander with conveyor table – **A**
- 1 Height adjust handle – **B**
- 1 Hose hanger – **C**
- 2 Socket hd cap screw M6x12 – **C<sub>1</sub>**
- 2 Flat washer 6mm – **C<sub>2</sub>**
- 1 Operating Instructions and Parts Manual
- 1 Product registration card

#### OPTIONAL Infeed/Outfeed Tables (Figure 6-2)

- 2 Infeed/outfeed tables – **D**
- 1 Rear (short) fixed bracket – **E**
- 1 Front (long) fixed bracket – **F**
- 2 Left folding table brackets – **G**
- 2 Right folding table brackets – **H**
- 1 Hardware package, includes:
  - 4 Locking handles – **HP1**
  - 4 Disc washers – **HP2**
  - 4 Oilite washers – **HP3**
  - 16 Socket hd cap screws M8x16 – **HP4**
  - 16 Flat washers M8 – **HP5**
  - 4 Socket hd cap screws M6x20 – **HP6**
  - 4 Eccentric cams – **HP7**
  - 4 Flat washers M6 – **HP8**

### 6.2 Tools required for assembly

5mm, 6mm hex (Allen) wrenches  
14mm open end wrench  
Flat blade screwdriver  
Straight edge (such as straight steel bar or carefully jointed board)

Additional tools may be required depending upon other accessories purchased.

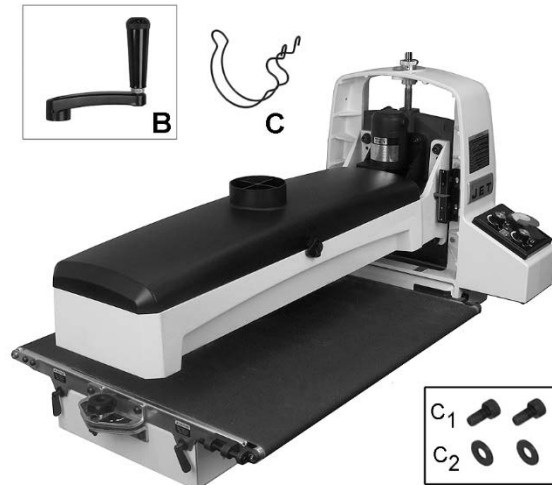


Figure 6-1: Sander contents

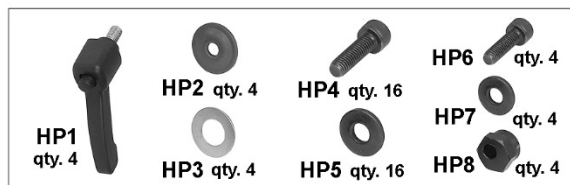
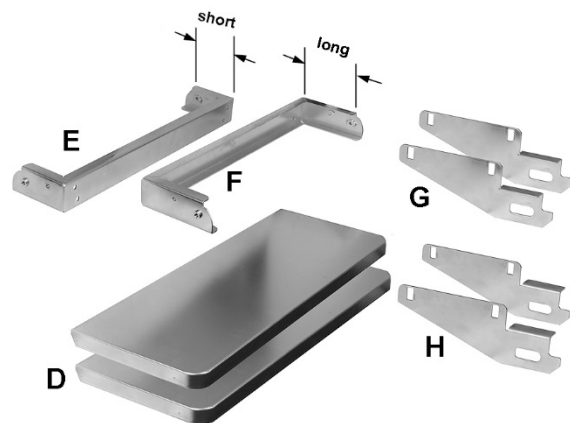


Figure 6-2: Infeed/Outfeed Tables (OPTIONAL)



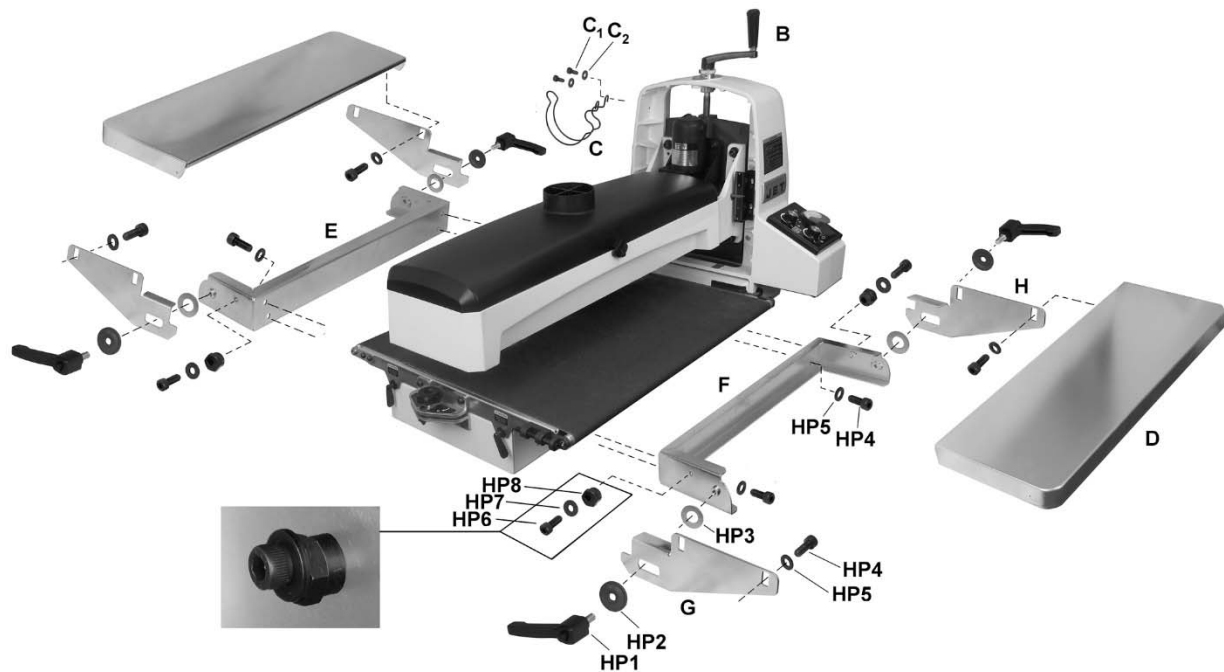


Figure 6-3: Assembly of Sander and OPTIONAL Infeed/Outfeed Tables

### 6.3 Assembling stand

A closed stand is provided with the JWDS-2244OSCK Sander kit. Refer to assembly instructions that accompany the stand.

### 6.4 Mounting sander to stand

The closed stand can be oriented with storage door toward front or back of machine.

**WARNING** Use an assistant to help lift and position sander atop stand.

1. Remove any screws holding sander to pallet, and lift sander from crate.
2. Position sander atop stand so that threaded holes of base align with holes in stand top. Insert 6 provided screws and washers and tighten securely.

### 6.5 Handle and hose hanger

See Figure 6-3.

1. Install height adjustment handle (B) onto spindle and tighten set screw.
2. Raise drum using height adjustment handle and remove shipping block from between drum and conveyor.
3. Install hose hanger (C) with screws and washers (C1/C2).

### 6.6 Folding infeed/outfeed tables (OPTIONAL)

See Figure 6-3.

The sander must be bolted to the stand or a work table when using these table extensions. Maximum working load of each table is 35 pounds. Fasteners are provided with the extension tables.

**NOTICE:** If using the folding feature of the infeed/outfeed tables, make sure your table or bench allows for adequate vertical drop at front and back.

To install infeed table:

1. Install front (F) fixed bracket to threaded holes in sander base with screws and washers (HP4/5). Make sure bracket is oriented as shown. Bracket must be flush against base. **NOTE: Long bracket mounts to front (infeed); short bracket to rear (outfeed).**
2. Tighten screws (HP4) to secure the brackets.
3. Install eccentric cam (HP8) with screw and washer (HP6/7). *Finger tighten only at this time.*
4. Install left (G) and right (H) table brackets, using handles and washers (HP1/2/3).  
  
Note: Handle (HP1) is adjustable – pull up and rotate on pin to more convenient position, then release allowing it to settle back onto pin.
5. Place infeed table (D) onto table brackets and secure with screws and washers (HP4/5). *Finger tighten only.*

Align infeed table with sander's conveyor table as follows.

See Figures 6-3 and 6-4.

6. Place a straight edge at one side of conveyor table under drum and extending out over infeed table. See Figure 6-4. You may wish to lower drum until it contacts the straight edge to hold it in place.
7. Raise infeed table until it evenly contacts straight edge. If needed, loosen four screws (HP4) beneath table and adjust table to level. Tighten screws.
8. Loosen screw (HP6) and rotate eccentric cam (HP8) until it contacts lip of table bracket. Do this on both sides of infeed table. This ensures infeed table will remain level with conveyor table each time it is returned to operating position. Tighten screws (HP6).
9. Install outfeed table using identical procedure as above.

**TIP:** It is often preferable to position infeed/ outfeed tables *slightly below* conveyor table surface, particularly if stock being sanded is bowed, warped or otherwise inconsistent. Also, if stock slips on conveyor, the tables may be positioned too high.

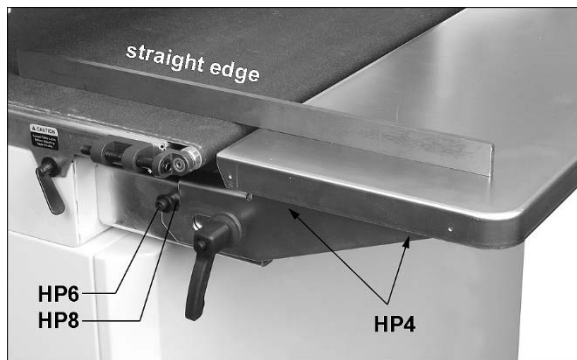


Figure 6-4: infeed table alignment

## 6.7 Dust collection

Dust collection is mandatory for a safe work environment and extended abrasive life. The JWDS-2244OSC is equipped with a 4-inch dust collection port. Secure a 4-inch dust collection hose to the port with a hose clamp (Figure 6-5), and connect to a high volume dust collector (minimum 550 CFM). *Note: Dryer vent hose is not acceptable for this purpose.*

Keep hose clear of conveyor path by directing it over the hose hanger at rear of sanding head.

A standard shop type canister (16 gal. or larger) can be used for short periods of sanding time but requires converting the hose size down to 2-1/2 inch. An adaptor (not included) is required.



Figure 6-5 (hose and clamp not included)

## 6.8 Installing abrasives

Proper attachment of the abrasive strip to the drum is critical to achieving top performance from your drum sander.

An 80-grit, 3-inch wide abrasive is pre-installed on drum. Optional pre-cut ("Ready-to-Wrap") abrasives of different grits are available; see *sect. 14.0*.

(**TIP:** If you are using an after-market abrasive, use a new JET-supplied abrasive as a template to quickly cut a new strip. Alternatively, a diagram is supplied in Figure 6-6 showing trim dimensions.)

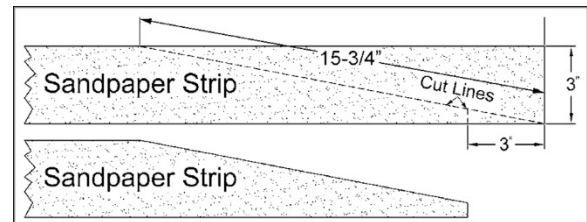


Figure 6-6: abrasive trimming  
(not applicable to Ready-to-Wrap strips)

To install abrasive strip:

1. Press fastener lever (Figure 6-7) on outboard (left) end of drum, and insert tapered end of abrasive through slit in fastener, as shown. Insert approximately 2-inches of abrasive strip into gap and through fastener. Align tapered edge of abrasive strip with left edge of drum.
2. Release fastener lever to secure end of strip.

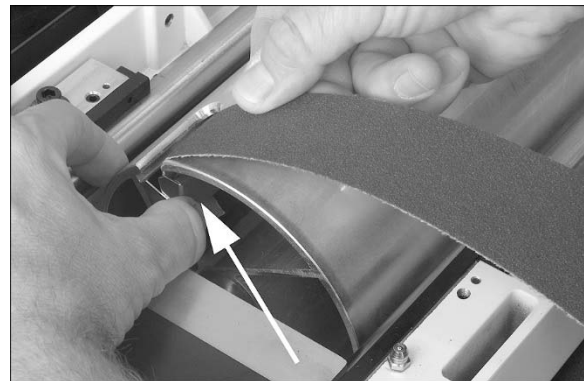


Figure 6-7

3. Begin wrapping abrasive around drum. The tapered edge of strip end should follow as closely as possible to edge of drum.
4. Continue wrapping abrasive in spiral fashion by rotating drum with one hand and guiding strip with the other. See Figure 6-8.

Successive windings of strip must *not have any overlap*. They should be flush with previous windings or with a slight gap (about 1/8") between.



Figure 6-8

5. Press inboard take-up lever (Figure 6-9) and insert trailing end of strip as far as it will go. If necessary, trim tapered end of abrasive strip.
6. Release inboard take-up lever to secure strip.

All abrasive strips will stretch over time as they are used, and may stretch enough to allow the take-up lever to reach its lowest position so that it cannot maintain tension on the strip. If this occurs, follow the above procedures to reset the take-up lever.

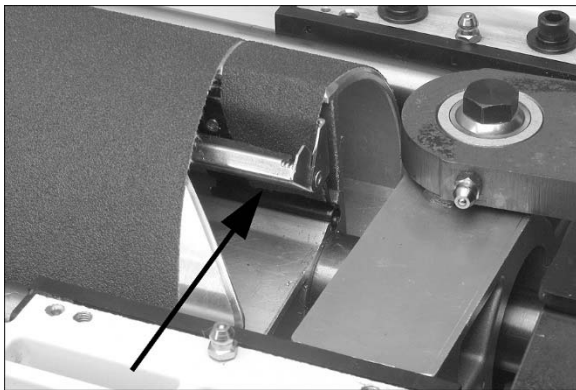


Figure 6-9

## 7.0 Electrical connections

**⚠WARNING** All electrical connections must be done by a qualified electrician in compliance with all local codes and ordinances. Failure to comply may result in serious injury.

The JWDS-2244OSC Sander is rated for single phase, 115-volt power only. The sander comes with

a plug designed for use on a circuit with a grounded outlet that looks like the one pictured in Figure 7-1.

Before connecting to power source, be sure switch is in *off* position.

It is recommended that the sander be connected to a dedicated 20 amp circuit with circuit breaker or fuse. If connected to a circuit protected by fuses, use time delay fuse marked "D". **Local codes take precedence over recommendations.**

### 7.1 GROUNDING INSTRUCTIONS

This machine must be grounded. In the event of a malfunction or breakdown, grounding provides a path of least resistance for electric current to reduce the risk of electric shock. This tool is equipped with an electric cord having an equipment-grounding conductor and a grounding plug. The plug must be plugged into a matching outlet that is properly installed and grounded in accordance with all local codes and ordinances.

Do not modify the plug provided - if it will not fit the outlet, have the proper outlet installed by a qualified electrician.

Improper connection of the equipment-grounding conductor can result in a risk of electric shock. The conductor with insulation having an outer surface that is green with or without yellow stripes is the equipment-grounding conductor.

If repair or replacement of the electric cord or plug is necessary, do not connect the equipment-grounding conductor to a live terminal.

**⚠WARNING** Check with a qualified electrician or service personnel if the grounding instructions are not completely understood, or if in doubt as to whether the tool is properly grounded. Failure to comply may cause serious or fatal injury.

Use only 3-wire extension cords that have 3-prong grounding plugs and 3-pole receptacles that accept the tool's plug.

Repair or replace damaged or worn cord immediately.

This tool is intended for use on a circuit that has an outlet that looks like the one illustrated in Figure 7-1. An adapter, shown in Figure 7-2, may be used to connect this plug to a 2-pole receptacle as shown in Figure 7-2 if a properly grounded outlet is not available. The temporary adapter should be used only until a properly grounded outlet can be installed by a qualified electrician. The green-colored rigid ear, lug, and the like, extending from the adapter must be connected to a permanent ground such as a properly grounded outlet box.

*In Canada, the use of a temporary adaptor is not permitted by the Canadian Electrical Code, C22.1.*

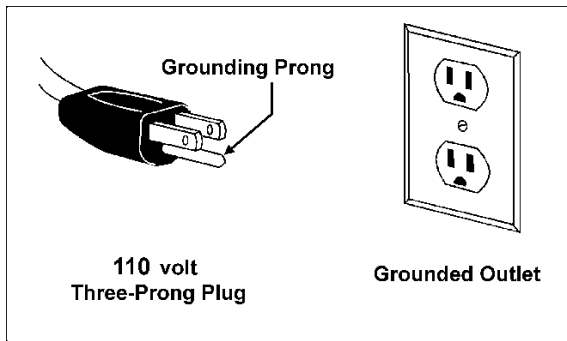


Figure 7-1

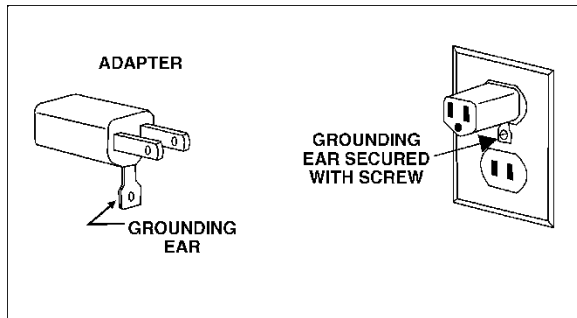


Figure 7-2

## 7.2 Extension cords

The use of extension cords is discouraged; try to position machines near the power source. If an extension cord is necessary, make sure it is in good condition. When using an extension cord, be sure to use one heavy enough to carry the current your product will draw. An undersized cord will cause a drop in line voltage resulting in loss of power and overheating. Table 2 shows correct size to use depending on cord length and nameplate ampere rating. If in doubt, use the next heavier gauge. The smaller the gauge number, the heavier the cord.

Recommended Gauges (AWG) of Extension Cords

Amps	Extension Cord Length *					
	25 feet	50 feet	75 feet	100 feet	150 feet	200 feet
< 5	16	16	16	14	12	12
5 to 8	16	16	14	12	10	NR
8 to 12	14	14	12	10	NR	NR
12 to 15	12	12	10	10	NR	NR
15 to 20	10	10	10	NR	NR	NR
21 to 30	10	NR	NR	NR	NR	NR

\*based on limiting the line voltage drop to 5V at 150% of the rated amperes. NR: Not Recommended.

Table 2

## 8.0 Adjustments

### 8.1 Drum Height Control

Drum height (i.e. depth of cut) is controlled by height adjustment handle (B, Figure 6-3). Rotate handle clockwise to lower drum, counterclockwise to raise it. One revolution of handle will move drum approximately 1/16" (or 1/4 turn = approx. 1/64"). A scale is fixed below the handle for quick reference.

### 8.2 Depth scale

The depth scale indicates distance between bottom of sanding drum and top of conveyor belt. Adjustment is performed by "zeroing" the scale.

1. Unplug sander from power source.
2. With an abrasive strip on drum, lower drum to where it just contacts top of conveyor belt. Note: Make sure drum – not just tension rollers – contacts conveyor belt.
3. At this drum position, the depth scale pointer should align with zero mark on scale. If it does not, loosen two screws on scale and adjust scale until zero aligns with the pointer.
4. Retighten screws.

Depending on desired accuracy, you may need to repeat this process when installing different abrasive grits.

### 8.3 Infeed/Outfeed Table Adjustment (OPTIONAL)

The optional tables can be swung down to allow easier access for drum wrapping or other adjustments.

Loosen handles on each side, slide table away from machine and then down. See Figure 8-2.

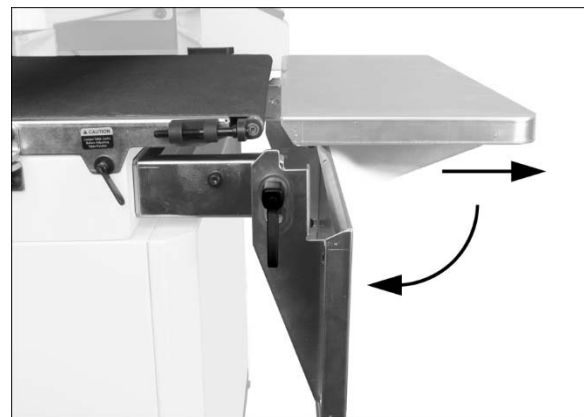


Figure 8-2

## 8.4 Conveyor belt tension/tracking

Conveyor belt tension adjustment may be necessary during the break-in period to compensate for belt stretching.

### 8.4.1 Belt tension adjustment

1. Adjust take-up screw (Figure 8-3) with 5mm hex wrench. Do this on both sides of conveyor to obtain approximately equal tension on both sides of conveyor belt when taut.

**NOTE:** Insufficient belt tension will cause slippage of conveyor belt on drive roller during sanding operation. The conveyor belt is too loose if it can be stopped by hand pressure applied directly to top of moving conveyor belt. Excessive belt tension can result in bent rollers, bent brackets, and/or premature wearing of bushings or conveyor belt.



Figure 8-3: conveyor belt take-up screw

### 8.4.2 Belt tracking adjustment

A belt tracks correctly when it moves centrally on the conveyor rollers without drifting to either side. Tracking adjustments are made while conveyor belt is running.

1. Make sure proper belt tension has been achieved (see sect. 8.4.1).
2. Turn on conveyor and set to maximum speed. Watch for tendency of conveyor belt to drift to one side of conveyor. If it drifts, tighten take-up screw on the side toward which it is drifting (Figure 8-3).

**Note:** Adjust take-up screw only 1/4 turn at a time. Allow time for belt to react to adjustments before proceeding further.

Avoid over-adjusting, as this may affect belt tension. If tension is affected, it may become necessary to use both take-up screws to accomplish tensioning and tracking.

### 8.4.3 Trackers

The sander is equipped with "Trackers", ceramic guides that reduce the amount of adjustments needed to keep conveyor belt tracked (centered) on conveyor table. These guides have a magnetic backing to keep them in place. If a Tracker wears through, it can be reversed by turning it over. See

sect. 11.0 *Tracker Kit* for more information about re-setting trackers.

## 8.5 Inspecting drum alignment

The sanding drum must be parallel to conveyor table for proper machine operation. The sanding drum comes pre-aligned from the manufacturer. If a problem with drum alignment should occur, follow the instructions below.

First, inspect the alignment with a gauge of some kind. The following procedure uses a steel straight-edge as a gauge.

1. Unplug sander from power source.
2. Open dust cover and remove abrasive strip from drum.
3. Insert gauge (A, Figure 8-4) between drum and conveyor table at outboard side.

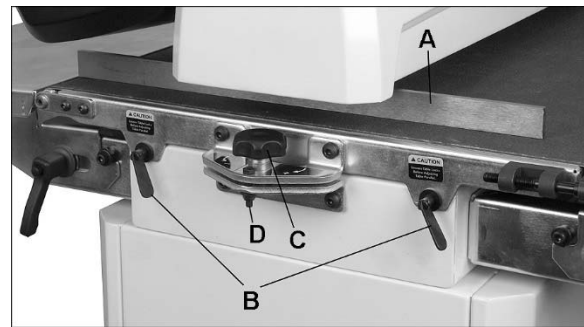


Figure 8-4: drum alignment

4. With dust cover open, lower sanding drum while slowly rotating drum by hand, until drum lightly contacts gauge. **NOTE:** Make sure drum, not just the tension rollers, contacts the gauge. Make a note of the measurement on the sander's depth scale.
5. Remove gauge and place under drum at inboard side.
6. If drum does not contact gauge equally on both ends of drum, alignment is needed.

To align conveyor table with drum:

7. Loosen both table locks (B, Figure 8-4)

**CAUTION** Loosen both table locks before adjusting drum alignment. Failure to comply may cause damage to table.

8. Turn knob (C) to raise or lower outboard end of table. Follow directional marks on label: (+) to raise, (-) to lower.
9. Tighten table locks (B).

### 8.5.1 Fine-tuning drum alignment

Note: This is an operational test for sanding boards wider than the drum. Perform this procedure only after you have become familiar with sander operation.

When sanding boards wider than the drum, table alignment is critical and table must be adjusted exactly level to slightly lower on the outboard end. This will prevent any ridges from developing in the stock. Always check this on a piece of scrap wood, as follows, before sanding the workpiece.

1. Run a piece of scrap wood approximately 6" wide by 30" to 40" long through the sander sideways so that end of board extends past outboard side of drum.
2. Without changing drum height, rotate board 180° and sand the same side.
3. If a ridge is visible where the drum overlaps, **loosen both table locks** (B, Figure 8-4) and lower table at outboard end by slightly turning knob (C) counterclockwise.
4. Repeat this process until the ridge is eliminated and entire board is sanded.
5. Tighten table locks (B).

**Note:** When sanding narrow stock (22" or less), return conveyor table to parallel position. Turn knob opposite direction until lock nut (D, Figure 8-4) is contacted. The lock nut provides a positive stop for table parallelism.

### 8.6 Tension roller adjustment

The infeed and outfeed rollers are intended to provide downward pressure on the workpiece to prevent slippage on the feed conveyor. Tension rollers have been set by the manufacturer, but should be inspected and may require adjustment as the sander receives use.

**⚠WARNING** Improperly adjusted tension rollers (i.e. those set too high, rendering them non-functional) could allow kickback of pieces being sanded.

You can increase or decrease tension of roller on outboard side by inserting screwdriver through holes in plate (Figure 8-5) and turning screws on the tension roller brackets. The plate can be removed for easier access. The screws at inboard side of drum can be adjusted in similar manner.

Too much tension roller pressure can result in a "snipe" mark, which is a visible line located near the end of the board and running across its width.

If snipe occurs on the leading end of board, adjust outfeed tension roller. If snipe occurs on trailing end of board, adjust infeed tension roller.

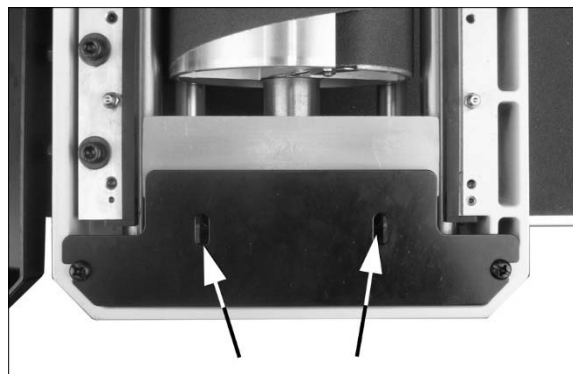


Figure 8-5: tension adjustment screws

## 9.0 Operations

Before using the drum sander, review the previous sections on initial set-up and adjustment. Before operating, make sure an abrasive strip is mounted and a proper dust collection system is connected.

### 9.1 On/off switch (sanding drum)

To start drum, pull paddle switch upward; to stop drum push switch down. This switch operates sanding drum only; the conveyor is controlled separately. See Figure 9-1.

To prevent unauthorized use of sander, push switch OFF and pull out safety key (Figure 9-1). Store key in a safe place. Key must be reinserted to start sander. **NOTE:** Conveyor belt can still operate when key is removed.

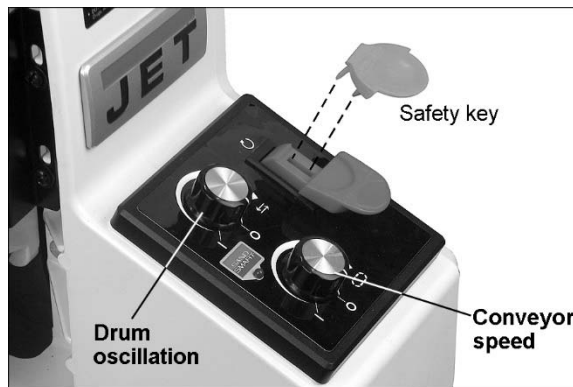


Figure 9-1: controls and safety key

### 9.2 Oscillation mode

The sander can be used with sanding drum in fixed position or in oscillation mode. The top dial (Figure 9-1) activates oscillation mode.

**NOTE:** If changing from oscillation mode to fixed mode, allow drum to center itself over conveyor before turning off oscillation mode.

**⚠CAUTION** If a power outage occurs, all functions currently active will restart when power is restored. For safety, if an outage occurs immediately shut off sander switch and conveyor dial.

### 9.3 Basic Operating Procedure

1. Establish depth of cut.
2. Start dust collection system.
3. Start sanding drum.
4. Start oscillation and select speed.
5. Start conveyor and select feed rate.
6. Feed stock through machine.

To feed stock through the sander, rest and hold board to be sanded on conveyor belt, allowing conveyor to carry board into drum. Once stock is halfway through, reposition yourself to outfeed side of machine to receive and control board as it exits.

**CAUTION** Board will be forced down against conveyor table as it begins feeding, causing pinching hazard. Keep fingers away.

**CAUTION** Do not open drum hood until drum comes to a complete stop.

### 9.4 Setting depth of cut

Adjusting the drum sander for proper contact between abrasive and stock determines the depth of cut, which is controlled by the height adjustment handle.

It may take experimentation to determine proper depth of cut, given the variables of abrasive grit, type of wood, and feed rate. For best results, use scrap wood to practice sanding and to develop skill and familiarity with the machine before doing finish work.

A combination of several variables will determine proper depth of cut to use, including the following:

1. Abrasive type and grit size.
2. Width of piece being processed.
3. Hardness of piece.
4. Feed rate of conveyor belt.

**NOTE:** The use of a carrier or backer board (not provided), is recommended for cuts 1/16" or less. This is a flat board, usually of wood or MDF, slightly larger than the workpiece and of even thickness, placed beneath the workpiece as it is fed through the sander. The workpiece may be attached to the carrier with rubber cement, carpenter's tape or some other easily removable adhesive. Some operators use a rubber or textured surface on the carrier to help stabilize the workpiece by simple friction.

### 9.5 Establishing drum height

A good rule of thumb when sanding with grits finer than 80:

1. To establish drum height, position stock under the drum. Do NOT start drum.
2. Lower drum to the stock thickness, making sure drum can still be rotated by hand while just contacting stock.

**WARNING** Do not start drum while it is contacting workpiece.

3. Without changing drum height, turn on conveyor and run the stock out from under the drum. Start sanding drum and sand stock at that same position.
4. With the drum operating, feed stock under the drum from the infeed side and against the rotation of the drum. Always maintain control of the stock to avoid kickback and/or slippage.

**NOTE:** If motor heats up during operation, depth of cut may be too great for size of grit and/or feed rate may be too fast.

For sanding with grits coarser than 80, you can lower the drum slightly.

Always maintain control of stock. Through practice you will learn the proper depth of cut considering the variables above.

### 9.6 Selecting SandSmart™ feed rates

A faster feed rate allows faster sanding but fewer revolutions of the drum per inch of sanding. A slower feed rate provides more revolutions of the drum per inch of sanding to allow a greater depth of cut and smooth sanding.

Begin experimenting with the feed rate set at about 40% to 50% of maximum. The best feed rate will depend on a number of factors, including type of stock, grit and depth of cut used, and whether the stock is fed directly in line with the conveyor table or at an angle. If the drum motor is lugging down, if conveyor belt is slipping, or if you observe a ripple effect on the stock, slow the feed rate. If the finish is smooth and the machine is not overworking, you can experiment using a faster feed rate.

The SandSmart controller continuously monitors the load on the drum motor, and automatically regulates the speed of the conveyor motor to maintain the highest feed rate without overload.

When the red indicator light on the control panel illuminates, the SandSmart control has detected too great a depth of cut and/or too fast a feed rate.

If the load on the drum motor increases, the SandSmart control will decrease the conveyor feed rate and will stop the conveyor under extreme conditions. If the load on the drum decreases, SandSmart will increase the feed rate but will not increase it faster than the manual setting at the speed adjustment dial.

The best and most consistent finish will be achieved if the conveyor does not change speed during operation.

A change in conveyor speed may affect the finish surface. If the finish is affected, make another sanding pass without changing any settings.

If the finish is still affected, make adjustments by slowing the conveyor and/or decreasing the depth of cut and run the stock through again.

Also try a faster feed rate, faster oscillation or less depth of cut if the stock you are working begins to show burn marks. With cherry, hard maple or other hardwoods, using a shallower depth of cut and a faster feed rate will help minimize burn marks. Slightly angling the stock as it is fed into the machine will also help prevent burning the stock.

Because of the wide range of variables, it is important to experiment with your specific conditions and make adjustments to achieve the optimum feed rate. If problems occur, first check and adjust the feed rate, referring to the "Troubleshooting" section in this manual.

## 9.7 Maximum performance tips

The versatility designed into the JWDS-series drum sander allows it to be used for a variety of tasks that will boost return on your investment. For example, it will speed up fine sanding work often done with slower, dust-generating hand sanders, and will achieve fine thickness adjustments not possible on some sanders. It can be used to surface figured woods – bird's eye or curly maple, for example – which can be damaged if fed through a planer.

Learning how to use its adjustments and controls will allow you to fine-tune the machine for maximum results. The best results come from experimenting with different abrasive grits and machine adjustments to fit the job at hand. Following is a list of useful tips which can help you improve performance of your sander.

### 9.7.1 Dust collection

When connecting dust collectors, remember that straight pipe will not restrict airflow as much as flexible tubing. Y's and elbows will restrict airflow less than T's. Also, a hose smaller than 2-1/2" diameter should not be used.

### 9.7.2 Multiple-piece sanding runs

When abrasive planing (or thickness sanding) a run of similar pieces that you want to have the same thickness, it is best to determine the thickness of the thinnest piece and process all pieces to that same thickness in one session. Be aware that the sander will remove cups and crowns in the workpiece; consider this when measuring and processing stock to the same thickness.

### 9.7.3 Simultaneous multiple pieces

When sanding multiple pieces simultaneously, make sure to stagger (step) the pieces across the width of the conveyor belt. This provides better contact with the tension rollers. Try to process only multiple pieces of similar thickness.

If there is a significant thickness difference, the thinner pieces can slip on the conveyor belt if they do not contact the tension rollers. Also note that

pieces thicker than 3/4" should be longer than the minimum normally recommended to prevent tipping of the stock.

### 9.7.4 Edge sanding

When edge sanding, the sander will mimic the opposite edge of the stock which is lying on the conveyor belt. Because of this, it is important for the stock edge to have been ripped at the proper angle to the face before the sanding process. When edge sanding stock that is less than 3/4" wide or more than 2" high, it is good procedure to stack and clamp several pieces together to prevent them from slipping or tipping on the conveyor belt.

### 9.7.5 Sanding imperfect stock

When sanding stock with a cup or crown, place the crown up. This will stabilize the stock to help prevent tipping or rocking during sanding. After the crown has been removed and the top is flat, turn the stock over and sand the opposite side. To avoid personal injury, take special care when sanding stock that is twisted, bowed, or otherwise varies in thickness from end to end. If possible, support such stock as it is being sanded to keep it from slipping or tipping. Use extra roller stands, help from another person, or hand pressure on the stock, to minimize potentially hazardous situations.

### 9.7.6 Face frames and raised panel doors

It is very important to have the proper abrasive contact when doing this type of sanding. If the machine is set to take an excessive depth of cut, the result can be a gouge or dip as the drum goes from sanding the rails at full width to sanding just a few inches of width on the stiles. To prevent this make sure, when using abrasives finer than 80 grit, that the drum is in contact with the wood but can still be spun by hand. If there is room, angling the stock on the conveyor belt can also help.

Slowing the conveyor feed when coming to a rail in the stock can help prevent a dip or gouge. This allows the abrasive to work the wider width with less effort, and to achieve better consistency of the finished surface.

### 9.7.7 Stock feeding angle

Some pieces, because of their dimensions, will need to be fed into the machine at a 90° angle (perpendicular to drum). However, even a slight offset angle of stock will provide for more effective stock removal. The optimum feeding angle for stock removal is about 60°.

Angling the workpiece for stock removal provides other advantages, such as less loading of certain areas of the drum due to glue lines or mineral streaks in the stock, more even wear of abrasive strips, potentially faster feed rates, and lighter loads on the motor. To get the best final finish, however, the stock should be fed through the machine so it will be sanded in line with the grain of the wood on the final one or two passes.



## 10.0 User-maintenance

**⚠WARNING** Before doing maintenance on the machine, disconnect it from the electrical supply (pull out the plug), unless indicated otherwise. Failure to comply may cause serious injury.

### 10.1 Cleaning and lubrication

For best results, make cleaning the sander a regular shop procedure. Allowing excess build-up of dust and debris can adversely affect performance through loading of the abrasives, slippage on the conveyor table, and/or the accumulation of material inside the drums which can throw off the center of balance.

NOTE: Bearings are pre-sealed and require no lubrication.

- Brush the conveyor belt after cleaning operations. If not cleaned, the conveyor belt could allow stock to slip during sanding operations.
- Lubricate conveyor bushings as needed, and check for wear.
- Lubricate elevating leadscrew (A, Figure 10-1) as needed.
- Clean sawdust from abrasive strip and brush dust from conveyor belt.
- Keep slide areas clean (B, Figure 10-1).
- Insert NLGI #2 grease into the five fittings (C, Figure 10-2) every 150 work hours. *Do not over-grease.*
- Blow dust from motors and switches.
- Blow dust from inside of sanding drum, which may cause vibration or offset the center of balance. (Leave your dust collector on when cleaning dust from the drums.)
- Check all set screws for tightness on parts such as bearings, conveyor table, and couplings.

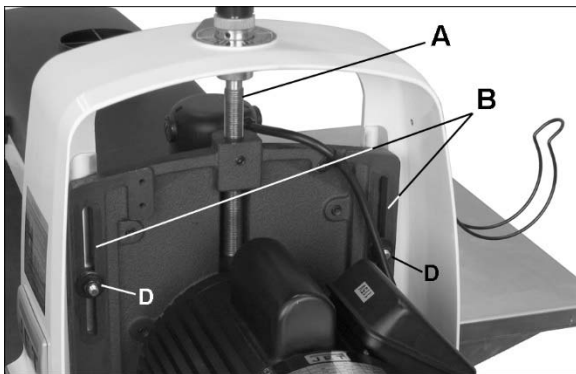


Figure 10-1: maintenance areas

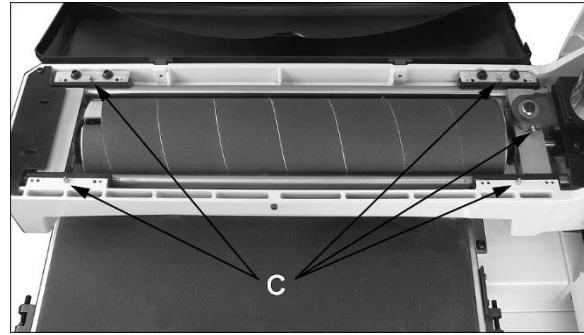


Figure 10-2: grease fittings

### 10.2 Drum elevation adjustment

If the height control mechanism does not operate easily or smoothly or there is excessive vertical movement or deflection of the drum carriage tighten all four (4) lock nuts (D, Figure 10-1) and then loosen them 1/8 to 1/4 turn. If the lock nuts are set too tight, height control will not operate easily. If the lock nuts are too loose, excessive deflection of the outboard end of the drum carriage will result.

### 10.3 Conveyor belt replacement

1. Disconnect sander from power source/unplug.
2. Raise drum to highest position.
3. Remove infeed/outfeed tables, if installed.
4. Turn take-up screws (see Figure 8-3) on both sides of conveyor to relieve belt tension, and slide the driven roller fully inward.
5. Remove two (2) screws at inboard side which attach conveyor table to base.
6. Remove two (2) screws that attach conveyor table to drum alignment bracket (E, Figure 10-3).
7. Loosen two table locks (F, Figure 10-3).
8. Lift up conveyor table and remove it from machine. Avoid tearing the belt on any edges underneath the conveyor table. *Do not allow the Trackers to drop, as they may break.*
9. Set conveyor on motor side and slide conveyor belt off end of conveyor table.
10. Install new belt along with trackers (see sect. 11.0), and re-install conveyor table. Tension and track the new belt.

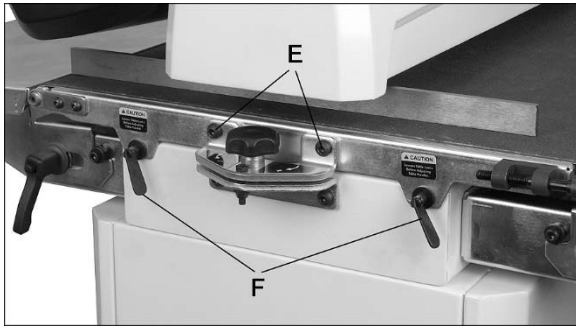


Figure 10-3: conveyor belt replacement

**Note:** If conveyor belt continually tracks to one side of the machine, reversing the belt on the conveyor table may remedy the problem. To make sure the conveyor table is not twisted, place a level on the conveyor table. Level the machine if needed. If there is still a problem, proceed with the steps below:

**Step 1:** Check conveyor drive roller and driven roller to make sure they are parallel to surface of conveyor table. To do this, first center conveyor belt on the conveyor table. Then lay a straight-edge on the exposed edge of conveyor table on left (outboard) side, extending it over the roller. Note distance between roller and straightedge.

**Step 2:** Now repeat Step 1 on right (inboard) side of conveyor. Compare the measurements from side to side. If they are not equal, loosen one of the brackets that hold the roller in place. Tip this bracket until distance between roller and straight-edge are equal from side to side, then tighten bracket.

#### 10.4 Commutator brush inspection

To maintain motor efficiency, inspect the two carbon brushes every two months, or more frequently if sander is heavily used. Stalling or loss of power may be a symptom of worn carbon brushes. If one brush is worn out, replace both at the same time.

**CAUTION** Continued use of damaged or worn brushes may result in damage to motor armature.

1. Disconnect sander from power source/unplug.
2. Unscrew and remove cap with flat blade screwdriver. See Figure 10-4.
3. Gently pry up an edge of the brass clip, until the spring causes it to disengage from hole. (Notice

orientation of brush as you remove it; it should be inserted in the same manner; curvature of brush will match curvature of motor.)

4. Pull out brush and inspect. Brush should be replaced if any of the following are discovered:
  - Brush has worn to about 1/2-inch long.
  - Signs of crumbling, burning or breaking.
  - End of brush is rough or pitted.
  - Abnormal coloration of spring
  - Broken lead in spring
  - Collapsed spring
5. Install new brush (or reinstall current brush if still in good condition) and gently press it all the way into hole until the brass clip is secured.
6. Install cap.
7. Repeat for other brush.

**NOTE:** It is recommended that sander be run without load for several minutes to seat new brushes.

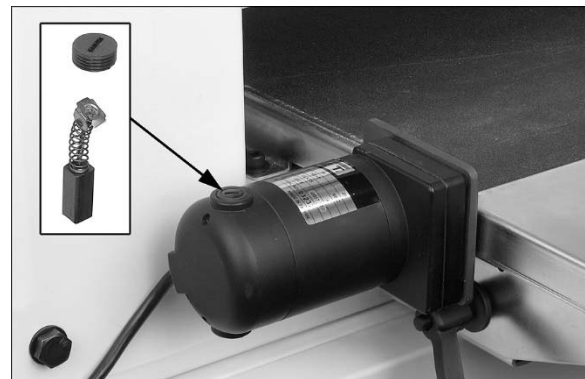


Figure 10-4: motor brush inspection

#### 10.5 Additional servicing

Any additional servicing should be performed by an authorized service technician.

## 11.0 Tracker kit

Stock No.: PM2244-213

Trackers dramatically reduce tracking adjustments of conveyor belts. They are already installed on your sander. The following information is for resetting or replacing your trackers, should that become necessary.

1. Disconnect power to sander.
2. Raise drum as high as it will go.
3. Turn both conveyor take-up screws to relieve conveyor belt tension and slide driven roller fully inward.
4. Remove the 2 bolts and loosen 2 wing screws holding conveyor table to sander base.
5. Lift conveyor table and slide it out of sander. Turn conveyor table upside down. Be careful not to damage conveyor belt.
6. On the underside of the conveyor table, there are U-channels welded to the table. The Tracker is positioned on the inside of the first U-channel on the infeed side of sander (Figure 11-1). The back of tracker is magnetized and will stick to side wall of conveyor table. Do not install tracker if edge of conveyor belt is damaged or torn.
7. With first tracker installed, slide conveyor belt into bottom slot of tracker. **Note:** When installed properly, only bottom lip of tracker will be visible. The top slot can be used if bottom slot wears out.
8. Install second tracker opposite the first. Use both trackers unless the second one does not fit in conveyor or unless conveyor belt is damaged.
9. Turn conveyor table right-side up and reposition it onto sander. Re-attach three mounting screws and tighten. **Caution:** Be careful not to knock tracker(s) out of conveyor table when turning conveyor over. Trackers may break if allowed to fall.
10. Make sure all switches are off. Connect power to sander and plug in motor.
11. Tension conveyor belt using take-up screws. If both trackers are installed, it is very important to have equal tension on both sides of conveyor belt. Turn take-up screws on both sides until equal tension is obtained.
12. To check tension, turn on conveyor full speed and place both hands on conveyor. If conveyor belt can be stopped, continue tensioning until conveyor belt cannot be stopped by both hands on the belt while conveyor is operating at full speed.
13. Make sure conveyor belt runs smoothly inside tracker slot and that the magnet is holding the tracker in position.
14. Continue to watch tracking of conveyor and adjust only if necessary, making sure to keep equal tension on conveyor belt at all times and not allowing conveyor belt to buckle under conveyor table.

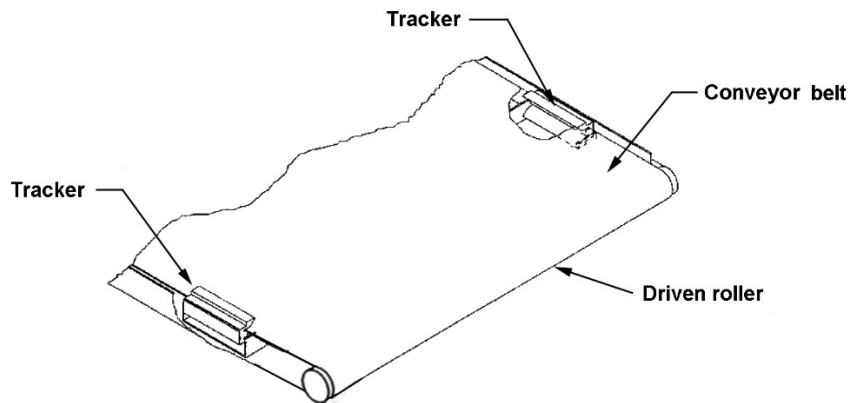


Figure 11-1: Underside of conveyor shown

## 12.0 Abrasives

The abrasive material you choose will have a substantial effect on the performance of your sander. Variations in paper type, weight, coating and durability all contribute to achieving your desired finish.

JET Abrasives are available in Ready-To-Wrap™ pre-cut lengths or in the convenient Ready-To-Cut pre-marked box. Your JET dealer can recommend the best choice for your application.

### 12.1 Selecting drum abrasives

It is important to select the proper grit of abrasive for the type of sanding being performed to achieve maximum results. As with any sanding operation, first begin sanding with a coarser grit, depending upon the roughness of the stock or the amount of stock to be removed. Then progressively work toward finer grits. The chart below shows the general uses for the various grits.

The amount of stock to be removed is a major consideration when choosing the grit grade with which to begin. Grits 24, 36, 50 and 60 are primarily designed for stock removal. Grits 24 and 36 will remove the most material in one pass, whether you are doing abrasive planing, cleaning up glued panels, or flattening stock. Grits from 100 through 220 are primarily finishing grits designed to remove the scratch pattern from the previous grit used. For best results, never skip more than one grit grade when progressing through a sanding sequence.

For fine work, such as furniture, try not to skip any grit grades during the sanding process.

In general, premium quality abrasives will produce a better finish with a less noticeable scratch pattern.

### 12.4 Abrasive selection guide

Grit	Common Application
24	Abrasive planing, surfacing rough-sawn boards, maximum stock removal, glue removal.
36	Abrasive planing, surfacing rough-sawn boards, maximum stock removal, glue removal.
50	Surfacing and dimensioning boards, truing warped boards
60	Surfacing and dimensioning boards, truing warped boards.
80	Light dimensioning, removal of planer ripples.
100	Light surfacing.
120	Light surfacing, minimal stock removal.
150	Finish sanding, minimal stock removal.
180	Finish sanding only, not for stock removal.
220	Finish sanding only, not for stock removal.

Table 2

**Note:** Grits that are too fine can sometimes burnish the wood and leave a glossy surface which will not accept stains evenly. This will vary by type of wood. Oak, for example, is susceptible to burnishing because of its open pores.

### 12.2 Cleaning abrasive strips

Regularly clean the abrasive strip on the drum with commercially available cleaning sticks, following the manufacturer's directions. When cleaning, also brush the stick crumbs from the drum while it is still rotating.

In some cases, heavily loaded areas can be removed with Plexiglas held on edge over the rotating drum.

**CAUTION** Always wear eye protection while performing abrasive cleaning, and take all precautions to avoid any contact of hands or clothing with the rotating drum.

Cloth-backed abrasives can be cleaned by soaking in paint thinner or mineral spirits for 20 minutes to one hour, then using a brush to remove any build-up. Dry the abrasive strips completely before using. Any used solvents should be discarded in compliance with environmental regulations.

### 12.3 Increasing abrasive life

Abrasive life can be increased not only by cleaning, but by removing the abrasive strip from the drum and reversing it. To do this, remove the strip and use what was the trailing end as the starting end on the left (outboard) side of the drum. Reversing the strip will provide a fresh set of cutting edges on the abrasive.

## 13.0 Troubleshooting JWDS-2244OSC Drum Sander

Symptom	Possible Cause	Correction *
Drum motor won't start when switch is activated.	No incoming current.	Check connections at plug or circuit panel.
	Safety key missing from switch.	Install safety key.
	Low voltage.	Check power line for proper voltage.
	Open circuit in motor or loose connection.	Inspect all lead connections on motor for loose or open connections.
	Switch malfunction.	Replace switch.
Drum motor will not start: fuses blow or circuit breakers trip.	Short circuit in line cord or plug.	Inspect cord or plug for damaged insulation and shorted wires.
	Short circuit in motor or loose connections.	Inspect all connections on motor for loose or shorted terminals or worn insulation.
	Incorrect fuse or circuit breaker in power line.	Install correct fuse or circuit breaker.
Drum motor overheats.	Air circulation through motor restricted.	Clean motor fan with compressed air to restore normal air circulation.
	Motor overloaded (SandSmart not functioning properly).	Have controls inspected and repaired.
Drum motor stalls, resulting in blown fuses or tripped circuit.	Short circuit in motor or loose connections.	Inspect connections on motor for loose or shorted terminals or worn insulation.
	Low voltage.	Correct low voltage conditions.
	Incorrect fuse or circuit breaker in power line.	Install correct fuse or circuit breaker.
Loud, repetitive noise or vibration coming from machine.	Fasteners loose.	Inspect fasteners and tighten where needed.
	Motor fan is hitting cover.	Tighten fan or shim fan cover.
	Machine not level.	Place sander on level floor; shim if needed.
Conveyor motor stalls.	Excessive depth of cut.	Reduce depth of cut; use coarser grit; reduce feed rate.
Conveyor belt does not move.	Shaft coupler is loose or unattached.	Adjust shaft coupler.
	Faulty control dial.	Have dial inspected/replaced.
Conveyor rollers run intermittently.	Shaft coupling is loose.	Align the shaft flats of the gear motor and the drive roller and tighten the shaft-coupling setscrews.
Conveyor belt slips on drive roller.	Improper conveyor belt tension.	Adjust belt tension.
	Excessive depth of cut and/or feed rate.	Reduce depth of cut and/or feed rate.
Abrasive strip comes off drum.	Slack in abrasive strip on drum.	Remove slack in strip.
	Abrasive improperly wrapped.	Read the section on installing abrasives, and rewrap.
Abrasive strip is loose.	Strip caught on inside edge of slot, or on inboard side of drum.	Re-adjust the strip end in the slot and/or trim the abrasive edge.
	Strip not cut properly.	Re-cut and re-install the abrasive strip.
Abrasive loads up prematurely.	Excessive depth of cut.	Reduce depth of cut.
	Excessive feed rate.	Reduce feed rate.
	Using minimal area of abrasive.	Use oscillation mode to distribute contact of abrasive.
	Inadequate dust collection.	Increase airflow at dust port.
	Inadequate abrasive.	Use an open-coat abrasive.

Symptom	Possible Cause	Correction *
Line or groove in stock.	Inconsistent feed rate.	Do not stop or change the feed rate while feeding stock.
Snipe marks.	Improper tension on rollers.	Re-tension rollers.
Sander burns the wood.	Abrasive strip is overlapped.	Re-wrap abrasive strip.
	Abrasive is loaded.	Clean abrasive.
	Depth of cut excessive for fine grit.	Use coarser grit or reduce depth of cut.
	Feed rate too slow.	Increase feed rate.
	Abrasive is worn.	Replace abrasive.
Board slips on conveyor belt.	Tension rollers too high.	Lower tension rollers.
	(Optional) extension tables too high.	Adjust tables.
	Excessive feed rate.	Reduce feed rate.
	Dirty or worn conveyor belt.	Replace conveyor belt.
Ripples in sanded surface. A. Non-uniformly spaced ripples. B. Uniformly spaced ripples.	A. Uneven feed rate.	Conveyor belt slipping (see above) Board slips on conveyor belt (see above). Conveyor motor stalls (see above).
	B. Conveyor table flexing or vibration.	Reduce depth of cut and/or feed rate. Check for loose bolts, loose shaft coupling set screws, or out-of-balance drum.
Wood is gouged.	Stock slipping on conveyor.	Correct depth of cut or roller tension.
	Work piece not properly supported.	Use work supports for long work pieces.

\* **WARNING:** Some corrections may require a qualified electrician.

*Table 3*

## 14.0 Optional accessories for JWDS-2244OSC

723551	Folding Infeed/Outfeed Tables for JWDS-2244OSC/-2550
723552	Digital Readout

(Abrasive strips are 3" wide, cloth backed, aluminum oxide, resin bond, open coat.)

60-2036	Ready-To-Wrap™ Abrasive Strip, 36 Grit (3 wraps)
60-2060	Ready-To-Wrap™ Abrasive Strip, 60 Grit (3 wraps)
60-2080	Ready-To-Wrap™ Abrasive Strip, 80 Grit (3 wraps)
60-2100	Ready-To-Wrap™ Abrasive Strip, 100 Grit (3 wraps)
60-2120	Ready-To-Wrap™ Abrasive Strip, 120 Grit (3 wraps)
60-2150	Ready-To-Wrap™ Abrasive Strip, 150 Grit (3 wraps)
60-2180	Ready-To-Wrap™ Abrasive Strip, 180 Grit (3 wraps)
60-2220	Ready-To-Wrap™ Abrasive Strip, 220 Grit (3 wraps)
60-9036	Premium Ready-To-Cut™ Abrasive Strip, 36 Grit (10 wraps)
60-9060	Premium Ready-To-Cut™ Abrasive Strip, 60 Grit (14 wraps)
60-9080	Premium Ready-To-Cut™ Abrasive Strip, 80 Grit (14 wraps)
60-9100	Premium Ready-To-Cut™ Abrasive Strip, 100 Grit (14 wraps)
60-9120	Premium Ready-To-Cut™ Abrasive Strip, 120 Grit (14 wraps)
60-9150	Premium Ready-To-Cut™ Abrasive Strip, 150 Grit (14 wraps)
60-9180	Premium Ready-To-Cut™ Abrasive Strip, 180 Grit (14 wraps)
60-9220	Premium Ready-To-Cut™ Abrasive Strip, 220 Grit (14 wraps)

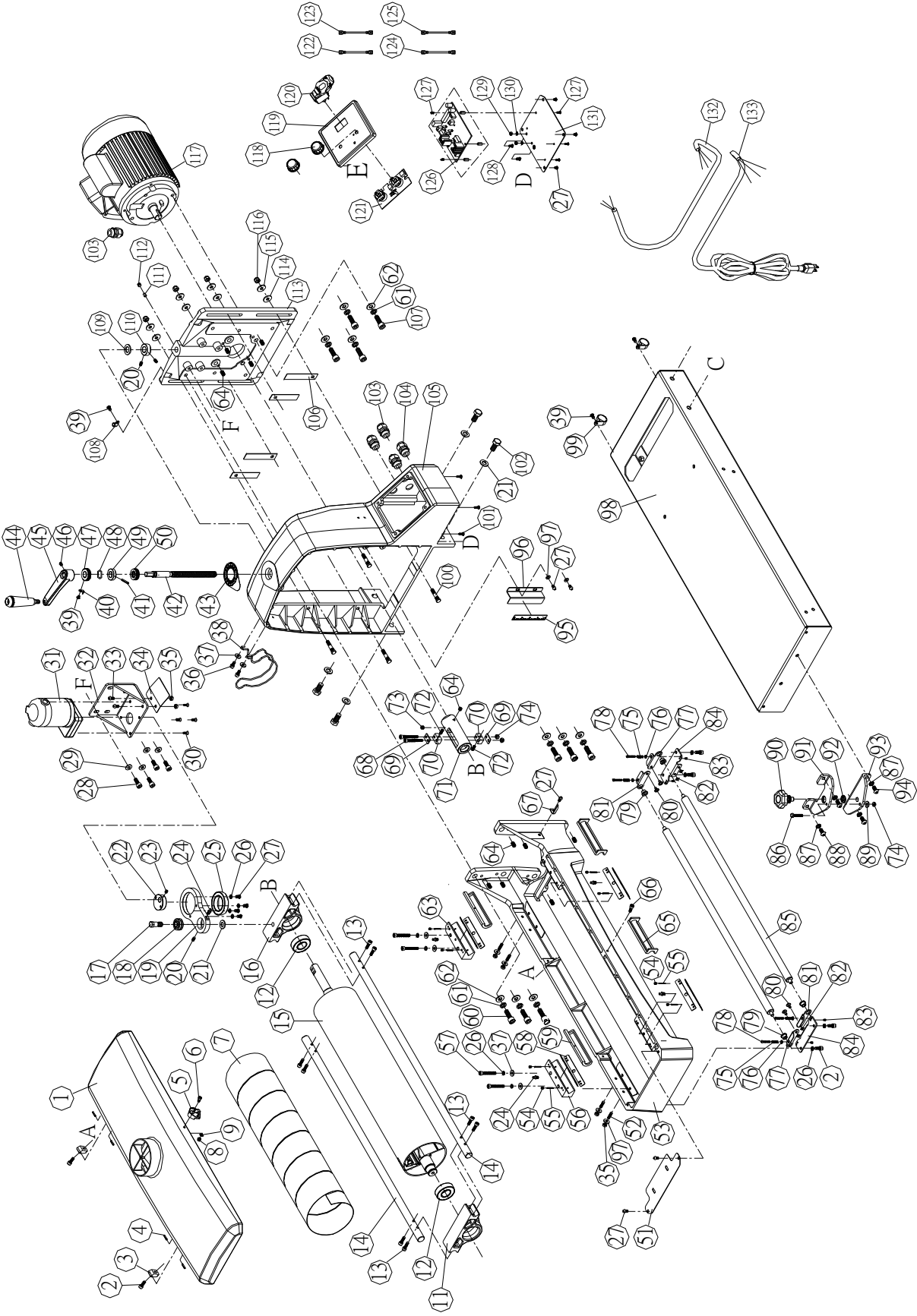
## 15.0 Replacement Parts

Replacement parts are listed on the following pages. To order parts or reach our service department, call 1-800-274-6848 Monday through Friday, 8:00 a.m. to 5:00 p.m. CST. Having the Model Number and Serial Number of your machine available when you call will allow us to serve you quickly and accurately.

Non-proprietary parts, such as fasteners, can be found at local hardware stores, or may be ordered from JET.

Some parts are shown for reference only, and may not be available individually.

15.1.1 JWDS-2244OSC Head Assembly – Exploded View





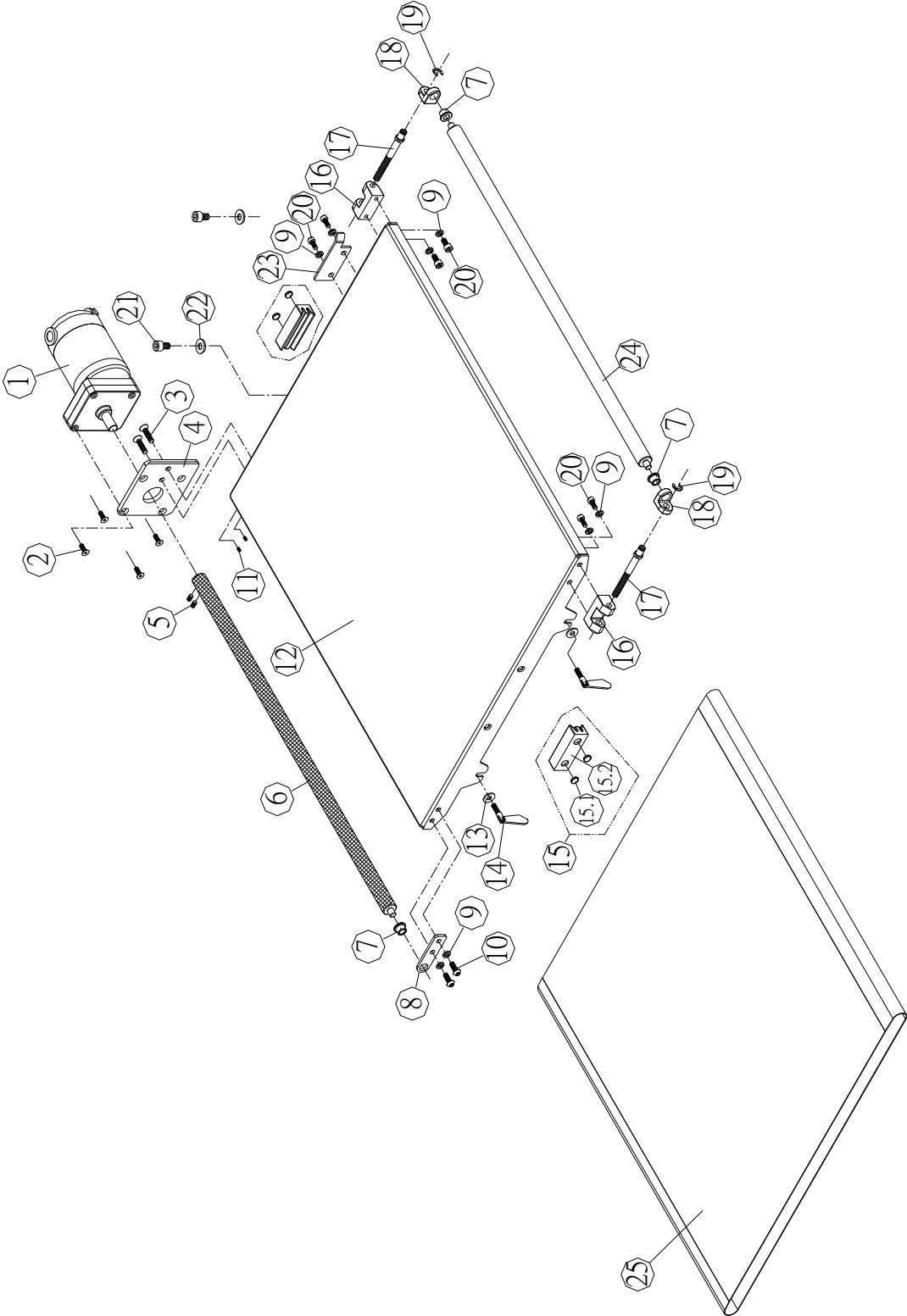
## 15.1.2 JWDS-2244OSC Head Assembly – Parts List

Index No	Part No	Description	Size	Qty
1	JWDS2244OSC-101	Dust Hood		1
2	JWDS2244-102	Socket Head Cap Screw	M6-1.0P x 16L	6
3	JWDS1632-103	Drum Carriage Hinge		2
4	40317-15	Spring Pin	3 x 14L	4
5	PM2244-109	Knob		1
6	JWDS2244-106	Socket Head Cap Screw	M5-0.8P x 18L	1
7		Abrasive (see sect. 14.0 for replacements)		1
8	TS-1541011	Nylon Lock Hex Nut	M5-0.8P	1
9	TS-1550031	Flat Washer	5.1 x 12 x 1T	1
11		Outboard Bearing Housing (Re:15A)		1
12		Ball Bearing (Re:15A)	6205VV	2
13		Socket Head Cap Screw (Re:15A)	M6-1.0P x 25L	8
14		Guide Bar (Re:15A)		2
15		Drum (Re:15A)		1
15A	JWDS2244OSC-115A	Drum Assembly (includes #11-16)		1
16		Inboard Bearing Housing (Re:15A)		1
17	JWDS2244OSC-117	Shoulder Screw		1
18	JWDS2244OSC-118	Spherical Bearing	PB12(SB)	1
19	JWDS2244OSC-119	Linking Plate		1
20	TS-1523031	Socket Head Set Screw	M6-1.0P x 10L	3
21	TS-2360121	Flat Washer	12 x 23 x 2T	5
22	JWDS2244OSC-122	Cam		1
23	F010454L	Soc Set Screw CPP w/thrdlckr	M6-1.0P x 15L	1
24	JWDS2244OSC-124	Grease Fitting	M6	5
25	BB-6908ZZ	Ball Bearing	6908ZZ	1
26	TS-2361061	Lock Washer	M6	8
27	TS-1534032	Phillips Pan Hd Machine Screw	M6-1.0P x 10L	16
28	TS-1504041	Socket Head Cap Screw	M8-1.25P x 20L	4
29	TS-1550061	Flat Washer	8 x 18 x 2T	4
30	F010678	Socket Head Flat Screw	#10-32UNF x 1/2INL	4
31	JWDS2244OSC-131	Oscillating Motor		1
	JWDS1632-201-1	Carbon Brush (not shown)		2
32	JWDS2244OSC-132	Oscillating Motor Plate		1
33	TS-1534042	Phillips Pan Hd Machine Screw	M6-1.0P x 12L	2
34	JWDS2244OSC-134	Safety Guard		1
35	TS-2311061	Hex Nut	M6-1.0P	6
36	TS-1503031	Socket Head Cap Screw	M6-1.0P x 12L	2
37	JWDS2244-153	Flat Washer	6.4 x 16 x 1.6T	6
38	JWDS2244-154	Hose Hanger		1
39	JWDS1632-139	Phillips Round Head Screw	M5-0.8P x 8L	4
40	JWDS1632-138	Pointer		1
41	JWDS1632-146	Spring Pin	4 x 30L	1
42	JWDS2244-158	Height Adjusting Screw		1
43	JWDS2244-159	Incremental Depth Scale		1
44	JWDS2244-160	Handle Assembly		1
45	JWDS2244-162	Crank		1
46	TS-1523031	Socket Head Set Screw	M6-1.0P x 10L	1
47	JWDS1632-143	Dial		1
48	JWDS1632-144	O-Ring	P11	1
49	JWDS1632-145	Collar		1
50	BB-51103	Thrust Bearing	17 x 30 x 9T	1
51	JWDS2244OSC-151	Safety Guard		1
52	TS-1523061	Socket Head Set Screw	M6-1.0P x 20L	4
53	JWDS2244OSC-153	Drum Carriage		1
54	6286492	Socket Head Set Screw	M6-1.0P x 5L	8
55	JWDS2244OSC-155	Spring Pin	2.5 x 20L	8
56	JWDS2244OSC-156	outboard Guide Block		1
57	TS-1503101	Socket Head Cap Screw	M6-1.0P x 45L	4
58	JWDS2244OSC-158	Gib		8
59	JWDS2244OSC-159	Seal Cover for Removable Guide Block		2

Index No	Part No	Description	Size	Qty
60	TS-1505061	Socket Head Cap Screw	M10-1.5P x 40L	6
61	TS-2361101	Lock Washer	M10	10
62	TS-1550071	Flat Washer	10 x 25 x 3T	10
63	JWDS2244OSC-163	Inboard Guide Block		1
64	F010408L	Soc Set Screw CPP w/thrdlckr	M8-1.25P x 10L	10
65	JWDS2244OSC-165	Seal Cover for Integrated Guide Block		2
66	TS-1502011	Socket Head Cap Screw	M5-0.8P x 8L	1
67	JWDS1632-166	Pointer		1
68	JWDS2244OSC-168	Socket Head Cap Screw, Partial Thrd	M6-1.0P x 55L	2
69	JWDS2244OSC-169	Drive Glider Plate		2
70	JWDS2244OSC-170	Drive Glider		2
71	JWDS2244OSC-171	Coupling		1
72	JWDS2244OSC-172	Ball Plunger		2
73	F010455L	Soc Set Screw CPP w/thrdlckr	M8-1.25P x 6L	1
74	F001753	Nyloc Nut BO	M6-1.0P	2
75	PM2244-125	Compression Spring		4
76	TS-1550021	Flat Washer	4.2 x 8 x 0.8T	4
77	PM2244-131	Right Tension Roller Suspension Bracket		2
78	JWDS1632-126	Phillips Round Head Screw	M4-0.7P x 25L	4
79	PM2244-130	Oilite Bushing		4
80	PM2244-132	Shoulder Screw		4
81	PM2244-129	Left Tension Roller Suspension Bracket		2
82	63049	Wave Washer	WW-6	4
83	F010386L	Soc Set Screw CPP w/thrdlckr	M4-0.7P x 8L	4
84	PM2244-128	Tension Roller Bracket		2
85	JWDS2244OSC-185	Tension Roller		2
86	TS-1482061	Hex Cap Screw	M6-1.0P x 30L	1
87	TS-2361081	Lock Washer	M8	4
88	TS-2248162	Socket Head Button Screw	M8-1.25P x 16L	2
89	TS-1550041	Flat Washer	6.5 x 19 x 2T	1
90	JWDS1632-172	Knob		1
91	JWDS1632-173	Parallel Adjust Moving Bracket		1
92	JWDS1632-174	Oilite Washer		1
93	JWDS1632-175	Parallel Adjust Fixed Bracket		1
94	TS-2248202	Socket Head Button Screw	M8-1.25P x 20L	2
95	JWDS2244-168	Depth Scale		1
96	JWDS2244OSC-196	Depth Scale Plate		1
97	TS-1550041	Flat Washer	6 x 12 x 1T	6
98	JWDS2244OSC-198	Base		1
99	JWDS1632-188	Cable Management	ACC-8-B	2
100	JWDS2244-167	Stud		4
101	JWDS2244-172	Self Tapping Screw	M4 x 20L	4
102	TS-1492021	Hex Cap Screw	M12-1.75P x 30L	4
103	JWDS2244-177	Strain Relief	MG20AS-10B-7	2
104	JWDS1632-153	Strain Relief	PG 13.5	3
105	JWDS2244OSC-1105	Motor Shroud		1
106	JWDS2244-176	Oilite Plate		4
107	F005430	Socket Head Cap Screw	M10-1.5P x 35L	4
108	JWDS2244OSC-1108	Cable Tie	ACC-2.5 (7.8mm)	1
109	JWDS1632-148	Nylon Washer		1
110	JWDS1632-149	Collar		1
111	PM2244-184	PU Block		1
112	5302731	Socket Head Set Screw	M8-1.25P x 6L	1
113	JWDS2244OSC-1113	Motor Plate		1
114	JWDS1632-157	Oilite Washer		4
115	TS-1550061	Flat Washer	8.2 x 23 x 2T	4
116	TS-1541031	Nylon Lock Hex Nut	M8-1.25P	4
117	JWDS1836-154	Motor	"1.75HP, 115V, 60Hz"	1
	JWDS1632-154SC	Starting Capacitor (not shown)	300MFD 125VAC	1
	JWDS1632-154SCC	Starting Capacitor Cover (not shown)		1
	JWDS1836-154RC	Running Capacitor (not shown)	50 F 250VAC	1
	JWDS1632-154FC	Fan Cover (not shown)		1

Index No	Part No	Description	Size	Qty
	JWDS1632-154CF	Cooling Fan (not shown)		1
118	PM2244-196	Knob		2
119	JWDS2244OSC-1119	Control Panel (includes label LM000359)		1
120	JSG96-135	Switch		1
	JSG96-135A	Switch Key (not shown)		1
121	JWDS2244OSC-1121	Potentiometer		1
122	JWDS2244-197	Internal Connection Cable (Black)	ST 12AWG x 1C x 15cm	1
123	JWDS2244-198	Internal Connection Cable (White)	ST 12AWG x 1C x 15cm	1
124	JWDS2244OSC-1124	Internal Connection Cable (Black)	ST 16AWG x 1C x 15cm	2
125	JWDS2244OSC-1125	Internal Connection Cable (White)	ST 16AWG x 1C x 15cm	2
126	JWDS2244OSC-1126	Circuit Board		1
127	TS-1531012	Phillips Pan Hd Machine Screw	M3-0.5P x 5L	8
128	TS-1533042	Phillips Pan Hd Machine Screw	M5-0.8P x 12L	2
129	TS-1540031	Hex Nut	M5-0.8P	2
130	F002097	Lock Washer, Ext. Tooth	M5	2
131	JWDS2244-1102	Circuit Board Holder		1
132	JWDS2244-1103	Motor Cable	SJT 12AWG x 3C	1
133	JWDS1632-190	Power Cable	SJT 12AWG x 3C	1
	JWDS2244-1105	Motor Label (not shown)		1
	LM000360	Oscillating Motor Label (not shown)		1
	LM000358	ID Label, JWDS-2244OSC (not shown)		1
	JET-113	JET Logo (not shown)	113x47mm	1
	LM000359	Control Panel Label (not shown)		1
	JWDS1632-197	Left Parallel Adjust Label (not shown)		1
	JWDS1632-198	Right Parallel Adjust Label (not shown)		1
	LM000238	Warning Label (not shown)		1

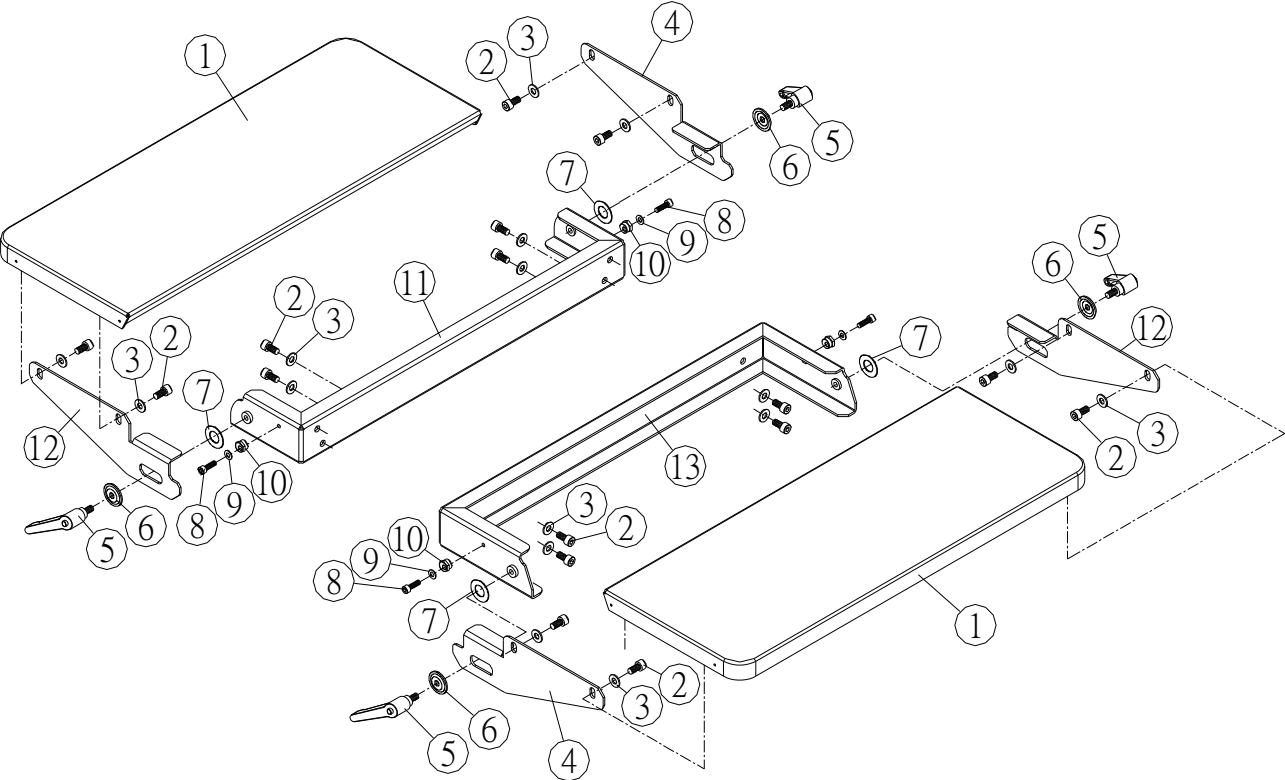
15.2.1 JWDS-2244OSC/-2550 Conveyor Table Assembly – Exploded View



## 15.2.2 JWDS-2244OSC/-2550 Conveyor Table Assembly – Parts List

Index No	Part No	Description	Size	Qty
1	JWDS2244-201	Belt Motor	1/30HP 115V	1
	JWDS1632-201-1	Carbon Brush (not shown)		2
2	F010839	Socket Head Flat Screw	#10 x 32UNC x 1/2IN L	4
3	F010985	Socket Head Flat Screw	M6-1.0P x 35L	2
4	JWDS1632-204	Belt Motor Plate		1
5	TS-1522011	Socket Head Set Screw	M5-0.8P x 5L	2
6	JWDS2550-206	Drive Roller		1
7	PM2244-130	Oilite Bushing		3
8	JWDS1632-208	Drive Roller Bracket		1
9	TS-2361061	Lock Washer	M6	8
10	TS-2246162	Socket Head Button Screw	M6-1.0P x 16L	2
11	TS-1521021	Socket Head Set Screw	M4-0.7P x 5L	2
12	JWDS2550-212	Conveyor Table		1
13	TS-1550041	Flat Washer	6.5 x 19 x 2T	2
14	JWDS2550-214	Wing Screw		2
15	PM2244-213	Tracker Kit (set of 2)		1
16	JWDS1632-217	Adjusting Rod Bracket		2
17	JWDS1632-218	Adjusting Rod		2
18	JWDS1632-219	Driven Roller Bracket		2
19	JWDS1632-220	E-Retaining Ring	ETW-7	2
20	TS-1503031	Socket Head Cap Screw	M6-1.0P x 12L	6
21	TS-1504021	Socket Head Cap Screw	M8-1.25P x 12L	2
22	TS-1550061	Flat Washer	8.5 x 19 x 2T	2
23	JWDS1632-224	Guide Plate		1
24	JWDS2550-224	Driven Roller		1
25	JWDS2550-225	Conveyor Belt		1
26	JWDS1632-227	Conveyor Motor Label (not shown)		1
27	LM000236	Caution Label – Table Lock (not shown)		1

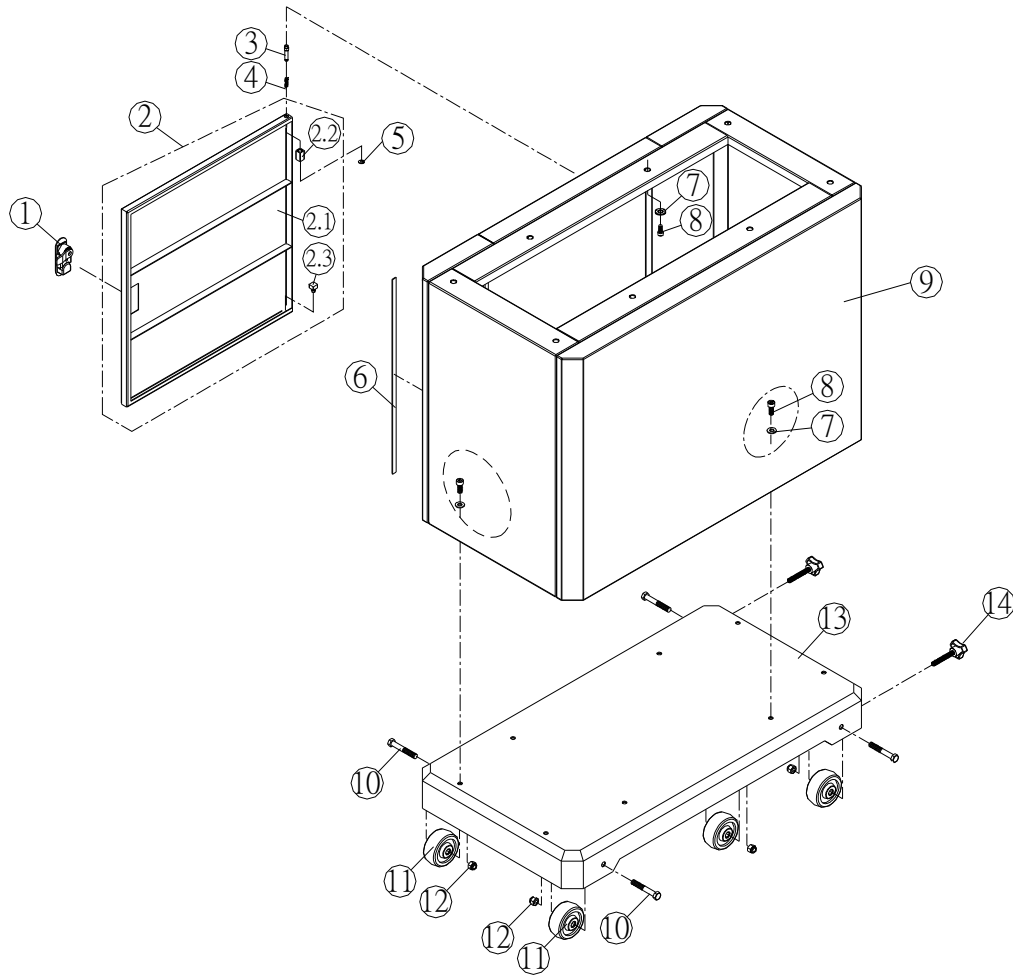
**15.3.1 (OPTIONAL) 723551 Infeed/Outfeed Tables – Exploded View**



**15.3.2 (OPTIONAL) 723551 Infeed/Outfeed Tables – Parts List**

Index No	Part No	Description	Size	Qty
.....	723551	Infeed/Outfeed Table Kit (includes #1-13)	.....	1
1	JWDS2550-401	Extension Table	.....	2
2	TS-1504031	Socket Head Cap Screw	M8-1.25P x 16L	16
3	TS-1550061	Flat Washer	8.3 x 20 x 1.5T	16
4	JWDS2244-404	Left Folding Table Bracket	.....	2
5	JWDS2244-405	Handle	.....	4
6	JWDS2244-406	Disc Washer	.....	4
7	JWDS2244-407	Oilite Washer	.....	4
8	TS-1503051	Socket Head Cap Screw	M6-1.0P x 20L	4
9	TS-1550041	Flat Washer	6.3 x 13 x 2T	4
10	JWDS2244-410	Eccentric Cam	.....	4
11	JWDS2550-411	Rear Fixed Bracket	.....	1
12	JWDS2244-412	Right Folding Table Bracket	.....	2
13	JWDS2550-413	Front Fixed Bracket	.....	1
.....	JWDS2244-420	Hardware Package, Infeed-Outfeed Tables (includes #2,3,5,6,7-10)	.....	.....

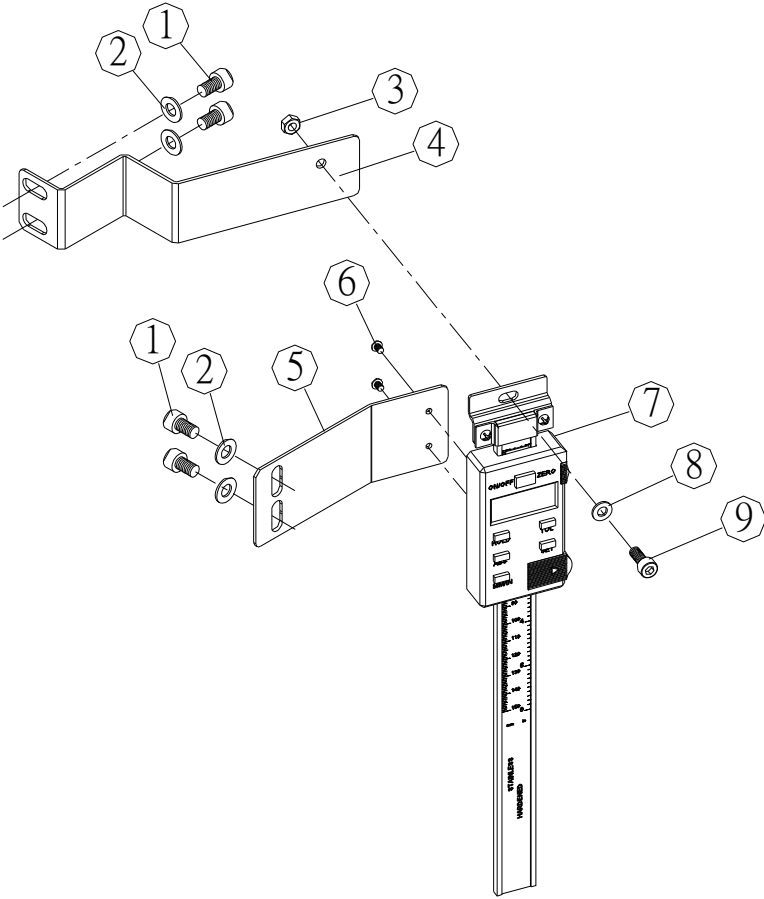
### 15.4.1 (OPTIONAL) Closed Stand for JWDS-2244OSC/-2550 – Exploded View



### 15.4.2 (OPTIONAL) Closed Stand for JWDS-2244OSC/-2550 – Parts List

Index No	Part No	Description	Size	Qty
	723544CS	Closed Stand Assembly (#1 thru 14)		
1	JOSS-S-245	Door Latch		1
2	JWDS2550-702	Cabinet Door Assembly		1
3	JOSS-S-242	Door Pivot		1
4	JOSS-S-243	Compression Spring		1
5	6286482	E-Retaining Ring Ext.	ETW-4	1
6	JWDS2550-706	Foam Strip		1
7	TS-1550061	Flat Washer	8.3 x 18 x 1.5T	14
8	TS-1504031	Socket Head Cap Screw	M8-1.25P x 16L	14
9	JWDS2550-709	Cabinet		1
10	TS-0060111	Hex Cap Screw	3/8"-16UNC x 2-1/2"L	4
11	PJE-S05	Wheel		4
12	TS-0640091	Nylon Lock Hex Nut	3/8"-16UNC	4
13	JWDS2550-713	Base		1
14	JWDS2550-714	Knob		2

**15.5.1 (OPTIONAL) Digital Readout for JWDS-2244/-2550 – Exploded View**

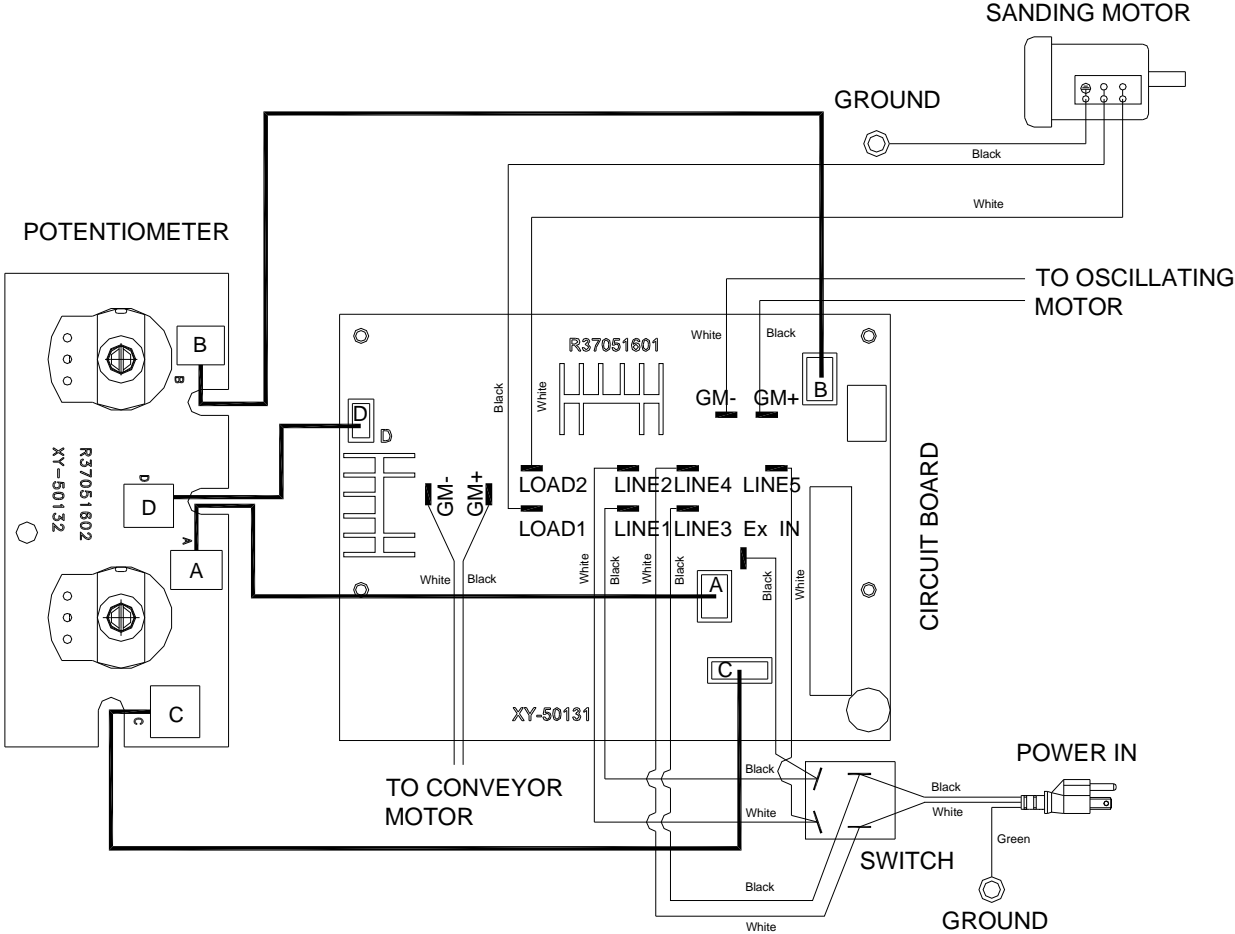


**15.5.2 (OPTIONAL) Digital Readout for JWDS-2244/-2550 – Parts List**

Index No	Part No	Description	Size	Qty
.....	723552 .....	Drum Sander DRO Assembly (includes #1 thru 9) .....	.....	.....
1 .....	TS-1503021 .....	Socket Head Cap Screw .....	M6-1.0P x 10L .....	4
2 .....	TS-1550041 .....	Flat Washer .....	6.5 x 13 x 1T .....	4
3 .....	TS-1540031 .....	Hex Nut.....	M5-0.8P .....	1
4 .....	JWDS2244-504.....	Upper Bracket.....	.....	1
5 .....	JWDS2244-505.....	Lower Bracket.....	.....	1
6 .....	JWDS2244-506.....	Phillips Round Hd Machine Screw .....	M3-0.5P x 5L .....	2
7 .....	JWDS2244-507.....	DRO.....	.....	1
8 .....	TS-1550031 .....	Flat Washer .....	5.1 x 10 x 1T .....	1
9 .....	TS-1502031 .....	Socket Head Cap Screw .....	M5-0.8P x 12L .....	1



# 16.0 Electrical Connections for JWDS-2244OSC



## 17.0 Warranty and service

JET warrants every product it sells against manufacturers' defects. If one of our tools needs service or repair, please contact Technical Service by calling 1-800-274-6846, 8AM to 5PM CST, Monday through Friday.

### Warranty Period

The general warranty lasts for the time period specified in the literature included with your product or on the official JET branded website.

- JET products carry a limited warranty which varies in duration based upon the product. (See chart below)
- Accessories carry a limited warranty of one year from the date of receipt.
- Consumable items are defined as expendable parts or accessories expected to become inoperable within a reasonable amount of use and are covered by a 90 day limited warranty against manufacturer's defects.

### Who is Covered

This warranty covers only the initial purchaser of the product from the date of delivery.

### What is Covered

This warranty covers any defects in workmanship or materials subject to the limitations stated below. This warranty does not cover failures due directly or indirectly to misuse, abuse, negligence or accidents, normal wear-and-tear, improper repair, alterations or lack of maintenance. JET woodworking machinery is designed to be used with Wood. Use of these machines in the processing of metal, plastics, or other materials outside recommended guidelines may void the warranty. The exceptions are acrylics and other natural items that are made specifically for wood turning.

### Warranty Limitations

Woodworking products with a Five Year Warranty that are used for commercial or industrial purposes default to a Two Year Warranty. Please contact Technical Service at 1-800-274-6846 for further clarification.

### How to Get Technical Support

Please contact Technical Service by calling 1-800-274-6846. **Please note that you will be asked to provide proof of initial purchase when calling.** If a product requires further inspection, the Technical Service representative will explain and assist with any additional action needed. JET has Authorized Service Centers located throughout the United States. For the name of an Authorized Service Center in your area call 1-800-274-6846 or use the Service Center Locator on the JET website.

### More Information

JET is constantly adding new products. For complete, up-to-date product information, check with your local distributor or visit the JET website.

### How State Law Applies

This warranty gives you specific legal rights, subject to applicable state law.

### Limitations on This Warranty

JET LIMITS ALL IMPLIED WARRANTIES TO THE PERIOD OF THE LIMITED WARRANTY FOR EACH PRODUCT. EXCEPT AS STATED HEREIN, ANY IMPLIED WARRANTIES OF MERCHANTABILITY AND FITNESS FOR A PARTICULAR PURPOSE ARE EXCLUDED. SOME STATES DO NOT ALLOW LIMITATIONS ON HOW LONG AN IMPLIED WARRANTY LASTS, SO THE ABOVE LIMITATION MAY NOT APPLY TO YOU.

JET SHALL IN NO EVENT BE LIABLE FOR DEATH, INJURIES TO PERSONS OR PROPERTY, OR FOR INCIDENTAL, CONTINGENT, SPECIAL, OR CONSEQUENTIAL DAMAGES ARISING FROM THE USE OF OUR PRODUCTS. SOME STATES DO NOT ALLOW THE EXCLUSION OR LIMITATION OF INCIDENTAL OR CONSEQUENTIAL DAMAGES, SO THE ABOVE LIMITATION OR EXCLUSION MAY NOT APPLY TO YOU.

JET sells through distributors only. The specifications listed in JET printed materials and on official JET website are given as general information and are not binding. JET reserves the right to effect at any time, without prior notice, those alterations to parts, fittings, and accessory equipment which they may deem necessary for any reason whatsoever. JET® branded products are not sold in Canada by JPW Industries, Inc.

### Product Listing with Warranty Period

90 Days – Parts; Consumable items
1 Year – Motors; Machine Accessories
2 Year – Metalworking Machinery; Electric Hoists, Electric Hoist Accessories; Woodworking Machinery used for industrial or commercial purposes
5 Year – Woodworking Machinery
Limited Lifetime – JET Parallel clamps; VOLT Series Electric Hoists; Manual Hoists; Manual Hoist Accessories; Shop Tools; Warehouse & Dock products; Hand Tools; Air Tools

NOTE: JET is a division of JPW Industries, Inc. References in this document to JET also apply to JPW Industries, Inc., or any of its successors in interest to the JET brand.

This page intentionally left blank.



427 New Sanford Road  
LaVergne, Tennessee 37086  
Phone: 800-274-6848  
[www.jettools.com](http://www.jettools.com)