

POWERMATIC®

Operating Instructions and Parts Manual 10-inch Cabinet Saw Model PM2000B



shown with 30-inch rail set

For models with serial no. 1911PM2000B1308 and higher

Powermatic
427 New Sanford Road
LaVergne, Tennessee 37086
Ph.: 800-274-6848
www.powermatic.com

Part No. M-PM231B
Edition 4 09/2019
ECR 190517174815
Copyright © 2017 Powermatic



1.0 IMPORTANT SAFETY INSTRUCTIONS

READ ALL INSTRUCTIONS BEFORE USING THIS MACHINE.

WARNING – To reduce risk of injury:

1. Read and understand the entire owner's manual before attempting assembly or operation.
2. Read and understand the warnings posted on the machine and in this manual. Failure to comply with all of these warnings may cause serious injury.
3. Replace the warning labels if they become obscured or removed.
4. This table saw is designed and intended for use by properly trained and experienced personnel only. If you are not familiar with the proper and safe operation of a table saw, do not use until proper training and knowledge have been obtained.
5. Do not use this table saw for other than its intended use. If used for other purposes, Powermatic disclaims any real or implied warranty and holds itself harmless from any injury that may result from that use.
6. Always wear approved safety glasses or face shield while using this table saw. Everyday eyeglasses only have impact resistant lenses; they are not safety glasses.
7. Before operating this table saw, remove tie, rings, watches and other jewelry, and roll sleeves up past the elbows. Do not wear loose clothing. Confine long hair. Non-slip footwear or anti-skid floor strips are recommended. Do **not** wear gloves.
8. Wear ear protectors (plugs or muffs) during extended periods of operation.
9. Do not operate this machine while tired or under the influence of drugs, alcohol or any medication.
10. Make certain the machine is properly grounded.
11. Make all machine adjustments or maintenance with the machine unplugged from the power source. A machine under repair should be RED TAGGED to show it must not be used until maintenance is complete.
12. Remove adjusting keys and wrenches. Form a habit of checking to see that keys and adjusting wrenches are removed from the machine before turning it on.
13. Keep safety guards in place at all times when the machine is in use. If removed for maintenance purposes, use extreme caution and replace the guards immediately.
14. Check the alignment of the riving knife, fence and miter slot to the blade. A caution decal is installed on each guard to remind the operator of the dangers of improper machine operation.
15. Check damaged parts. Before further use of the machine, a guard or other part that is damaged should be carefully checked to determine that it will operate properly and perform its intended function. Check for alignment of moving parts, binding of moving parts, breakage of parts, mounting and any other conditions that may affect its operation. A guard or other part that is damaged should be properly repaired or replaced.
16. Provide for adequate space surrounding work area and non-glare, overhead lighting.
17. Keep the floor around the machine clean and free of scrap material, oil and grease.
18. Keep visitors a safe distance from the work area. Keep children away.
19. Make your workshop child proof with padlocks, master switches or by removing safety keys.
20. Give your work undivided attention. Looking around, carrying on a conversation and "horse-play" are careless acts that can result in serious injury.
21. Maintain a balanced stance at all times so that you do not fall or lean against the blade or other moving parts. Do not overreach or use excessive force to perform any machine operation.
22. Use the right tool at the correct speed and feed rate. Do not force a tool or attachment to do a job for which it was not designed. The right tool will do the job better and safer.
23. Use recommended accessories; improper accessories may be hazardous.
24. Maintain tools with care. Keep blade sharp and clean for the best and safest performance. Follow instructions for lubricating and changing accessories.
25. Check the saw blade for cracks or missing teeth. Do not use a cracked or dull blade or one with missing teeth or improper set. Make sure the blade is securely locked on the arbor.
26. Keep hands clear of the blade area. Do not reach past the blade to clear parts or scrap with the saw blade running. Never saw freehand. Avoid awkward operations and hand positions where a sudden slip could cause your hand to contact the blade.

27. Do not attempt to saw boards with loose knots or with nails or other foreign material, on its surface. Do not attempt to saw twisted, warped or bowed stock unless one edge has been jointed for guiding purposes prior to sawing. Excessively warped stock should not be used.
28. Do not attempt to saw long or wide boards unsupported where spring or weight could cause the board to shift position.
29. Always use the riving knife, blade guard, push stick and other safety devices for all operations where they can be used. On operations such as dadoing or molding where the blade guard cannot be used, use feather boards, fixtures and other safety devices and use extreme caution. Reinstall the riving knife and blade guard immediately after completing the operation that required their removal.
30. Be sure the saw blade rotates clockwise when viewed from the motor side (left side) of the machine.
31. Turn off the machine before cleaning. Use a brush or compressed air to remove chips or debris — do not use bare hands.
32. Do not stand on the machine. Serious injury could occur if the machine tips over.
33. Never leave the machine running unattended. Turn the power off and do not leave the machine until it comes to a complete stop.
34. Remove loose items and unnecessary work pieces from the area before starting the machine.
35. Blade should have minimum exposure during cuts. Adjust blade to approximately 1/8" inch above surface of workpiece.

⚠ WARNING: This product can expose you to chemicals including lead which is known to the State of California to cause cancer and birth defects or other reproductive harm. For more information go to <http://www.p65warnings.ca.gov>.

⚠ WARNING: Drilling, sawing, sanding or machining wood products generates wood dust and other substances known to the State of California to cause cancer. Avoid inhaling dust generated from wood products or use a dust mask or other safeguards for personal protection.

Wood products emit chemicals known to the State of California to cause birth defects or other reproductive harm. For more information go to <http://www.p65warnings.ca.gov/wood>.

1.1 Kickback

The most common accidents among table saw users, according to statistics, can be linked to kickback, the high-speed expulsion of material from the table that can strike the operator. Kickback can also result in the operator's hands being pulled into the blade.

Kickback Prevention

Tips to avoid the most common causes of kickback:

- Make sure the riving knife is always aligned with the blade. A workpiece can bind or stop the flow of the cut if the riving knife is misaligned, and result in kickback.
- Use a riving knife during every cut. The riving knife maintains the kerf in the workpiece, which will reduce the chance of kickback.
- Never attempt freehand cuts. The workpiece must be fed parallel to the blade, otherwise kickback will likely occur. Always use the rip fence or miter gauge to support the workpiece.
- Make sure that rip fence is parallel to blade. If not, the chances of kickback are very high. Take the time to check and adjust the rip fence.
- Feed cuts through to completion. Anytime you stop feeding a workpiece that is in the middle of a cut, the chance of binding, resulting in kickback, is greatly increased.

Tips for Kickback Protection

Kickback can happen even if precautions are taken to prevent it. Listed below are some tips to protect you if kickback *does* occur:

- Stand to the side of the blade when cutting. An ejected workpiece usually travels directly in front of the blade.
- Wear safety glasses or a face shield. Your eyes and face are the most vulnerable part of your body.
- Never place your hand behind the blade. If kickback occurs, your hand will be pulled into the blade.
- Use a push stick to keep your hands farther away from the moving blade. If a kickback occurs, the push stick will most likely take the damage that your hand would have received.

Familiarize yourself with the following safety notices used in this manual:

⚠CAUTION This means that if precautions are not heeded, it may result in minor injury and/or possible machine damage.

⚠WARNING This means that if precautions are not heeded, it may result in serious or possibly fatal injury.

2.0 About this manual

This manual is provided by Powermatic covering the safe operation and maintenance procedures for a Powermatic Model PM2000B Cabinet Saw. This manual contains instructions on installation, safety precautions, general operating procedures, maintenance instructions and parts breakdown. Your machine has been designed and constructed to provide consistent, long-term operation if used in accordance with the instructions set forth in this document.

This manual is not intended to be an exhaustive guide to table saw operational methods, use of jigs or after-market accessories, choice of stock, etc. Additional knowledge can be obtained from experienced users or trade articles. Whatever accepted methods are used, always make personal safety a priority.

If there are questions or comments, please contact your local supplier or Powermatic. Powermatic can also be reached at our web site: www.powermatic.com.

Retain this manual for future reference. If the machine transfers ownership, the manual should accompany it.

⚠WARNING **Read and understand the entire contents of this manual before attempting assembly or operation! Failure to comply may cause serious injury!**

3.0 Table of contents

Section	Page
1.0 IMPORTANT SAFETY INSTRUCTIONS	2
1.1 Kickback	3
2.0 About this manual	4
3.0 Table of contents	5
4.0 Table Saw terminology	7
5.0 Specifications for PM2000B	8
5.1 Kit configurations	9
6.0 Setup and assembly	10
6.1 Shipping contents	10
6.2 Tools required for assembly	10
6.3 Unpacking and cleanup	11
6.4 Installing extension wings	11
6.5 Handwheel, knobs, levers	12
6.6 Rails and Fence	12
6.7 Motor cover	12
6.8 Table insert	12
6.9 Installing and removing blade	13
6.10 Installing guard/knife assembly	13
6.11 Dust port	14
7.0 Electrical connections	14
7.1 GROUNDING INSTRUCTIONS	15
7.2 Voltage conversion (3-phase model only)	15
7.3 Extension cords	15
7.4 Magnetic switch and safety key	15
8.0 Adjustments	16
8.1 Tools required for adjustments	16
8.2 Fence alignment	16
8.3 Blade raising and tilting	16
8.4 Caster mechanism	16
8.5 Miter gauge	16
8.6 Blade tilt stop adjustment	17
8.7 Riving knife alignment	18
8.8 Table to blade alignment	19
8.9 Belt adjustment	19
8.10 DRO calibration and operation	20
9.0 Operations	21
10.0 Safety devices	25
10.1 Feather board	25
10.2 Push stick and push block	25
11.0 User-maintenance	26
11.1 General inspection	26
11.2 Cleaning	26
11.3 Lubrication	26
11.4 Arbor/Arbor Bearing Removal	26
11.5 Additional servicing	26
12.0 Optional accessories	27
13.0 Troubleshooting PM2000B Cabinet Saw	28
13.1 Motor and electrical problems	28
13.2 Mechanical and operational problems	28
14.0 Replacement Parts	29
14.1.1 PM2000B Table and Cabinet Assembly I – Exploded View	30
14.1.2 PM2000B Table and Cabinet Assembly II – Exploded View	31
14.1.3 PM2000B Table and Cabinet Assembly – Parts List	32
14.2.1 PM2000B Motor and Trunnion Assembly I – Exploded View	35
14.2.2 PM2000B Motor and Trunnion Assembly II – Exploded View	36
14.2.3 PM2000B Motor and Trunnion Assembly – Parts List	37
14.3.1 PM2000B Blade Guard and Miter Gauge Assemblies – Exploded View	40

14.3.2	PM2000B Blade Guard and Miter Gauge Assemblies – Parts List	41
14.4.1	PM2000B Motor Cover Assembly – Exploded View	42
14.4.2	PM2000B Motor Cover Assembly – Parts List	42
15.0	Electrical Connections.....	43
15.1	PM2000B Wiring diagram – 3HP, 230V, 1PH	43
15.2	PM2000B Wiring diagram – 5HP, 230V, 1PH	44
15.3	PM2000B Wiring diagram – 5HP, 230V, 3PH	45
15.4	PM2000B Wiring diagram – 5HP, 460V, 3PH	46
16.0	Warranty and Service.....	47

4.0 Table Saw terminology

Arbor: Metal shaft that connects the drive mechanism to the blade.

Bevel Edge Cut: Tilt of the saw arbor and blade between 0° and 45° to perform an angled cutting operation.

Blade Guard: Mechanism mounted over the saw blade to prevent accidental contact with the cutting edge.

Crosscut: Sawing operation in which the miter gauge is used to cut across the grain of the workpiece.

Dado Blade: Blade(s) used for cutting grooves and rabbets. A stacked dado set can be used for wider grooves.

Dado Cut: Flat bottomed groove in the face of the workpiece made with a dado blade.

Featherboard: Device used to keep a board against the rip fence or table that allows the operator to keep hands away from saw blade.

Freehand: Moving the workpiece into the blade using only the hands, without a fixed positioning device. (This is a dangerous, unacceptable procedure – **always** use appropriate devices to feed the workpiece through the saw blade during cutting operations.)

Kerf: The resulting cut or gap made by a saw blade.

Kickback: An event in which the workpiece is lifted up and thrown back toward an operator, caused when a workpiece binds on the saw blade or between the blade and rip fence (or other fixed object). To minimize or prevent injury from kickbacks, see the *Operations* section.

Miter Gauge: A component that controls the workpiece movement while performing a crosscut of various angles.

Non-Through Cut: A sawing operation that requires the removal of the blade guard and standard riving knife, resulting in a cut that does not protrude through the top of the workpiece (includes dado and rabbet cuts).

The blade guard and riving knife must be re-installed after performing a non-through cut to avoid accidental contact with the saw blade during operation.

Parallel: Position of the rip fence equal in distance at every point to the side face of the saw blade.

Perpendicular: 90° (right angle) intersection or position of the vertical and horizontal planes such as the position of the saw blade (vertical) to the table surface (horizontal).

Push Board/Push Stick: An instrument used to safely push the workpiece through the cutting operation by keeping the operator's hands at a distance.

Rabbet: A cutting operation that creates an L-shaped channel along the edge of the board.

Rip Cut: A cut made along the grain of the workpiece.

Riving Knife: A metal plate fixed relative to the blade, which moves with the blade as cutting depth is adjusted. Thus, it maintains not only the kerf opening in the workpiece, but also the knife-to-blade distance. A *low-profile* riving knife sits lower than the top edge of the blade, for making a non-through cut.

Splitter (Spreader): A stationary metal plate to which the blade guard is attached that maintains the kerf opening in the workpiece during a cutting operation. (Powermatic table saws use the superior riving knife system instead.)

Standard Kerf: 1/8" gap made with a standard blade.

Straightedge: A tool used to check that a surface is flat or parallel.

Through Sawing: A sawing operation in which the workpiece thickness is completely sawn through. Proper blade height usually allows 1/8" of the top of blade to extend above the wood stock. Keep the blade guard down, the anti-kickback pawls down, and the riving knife in place over the blade.

5.0 Specifications for PM2000B

Table 1

Model number	PM2000B		
Stock number – saw only (see Table 2 below for kit configurations)	PM231B	PM251B	PM253B
Motor and Electricals			
Motor type	Totally enclosed, fan cooled, induction		
Horsepower	3 HP	5 HP	5 HP
Motor phase	1 PH		3 PH
Motor voltage	230 V		230/460 V ¹ (prewired 230 V)
Cycle	60 Hz		
Listed FLA (full load amps)	14.5 A	21 A	13 / 6.5 A
Motor speed	3450 RPM		
Starting amps	86	126	120
Running amps (no load)	4.9	4.8	6.5
Start capacitor	400MFD 125VAC	400MFD 250VAC	n/a
Run capacitor	40µF 350VAC	30µF 500VAC	n/a
Power transfer	Poly-V belt		
On/off switch	Magnetic switch, with safety key		
Power cord and plug	not supplied		
Recommended circuit size ²	20 A	30 A	20 A
Sound emission without load ³	84 db at 100cm; 89 dB at 50cm		
Arbor and blade			
Arbor diameter	5/8 in. (15.875 mm)		
Arbor speed	4500 RPM		
Arbor lock	yes		
Arbor wrench	included		
Blade included	Ø10 in. (254mm), 0.079 in. (2.0mm) thk, 0.118 in. (3.0mm) kerf, 40T, AB, carbide tips		
Maximum depth of cut at 90 degrees	3-1/8 in. (80 mm)		
Maximum depth of cut at 45 degrees	2-1/8 in. (54 mm)		
Maximum rip to right of blade	30 in. (762 mm) or 50 in. (1270 mm)		
Maximum rip to left of blade	13-1/2 in. (343 mm)		
Dado maximum width	13/16 in. (21 mm)		
Dado maximum diameter	8 in. (203 mm)		
Blade tilt	Left, 0° to 45°		
Table			
Main table dimensions, L x W	30-1/2 x 22 in. (775 x 559 mm)		
Table dimensions with extensions, L x W	30-1/2 x 42 in. (775 x 1067 mm)		
Table area in front of blade at maximum height	11-1/4 in. (286 mm)		
Table surface from floor, casters disengaged	35 in. (889 mm)		
Miter T-slot, W x D	2 slots; 3/4 x 3/8 in. (19 x 10 mm)		
Edge bevel	Front and rear		
Dust collection			
Dust port outside diameter	4" (101.6 mm)		
Recommended minimum extraction volume	400 CFM (0.5 CMM)		

Main materials			
Main table	cast iron		
Table insert	aluminum		
Extension wings	cast iron		
Cabinet	steel		
Base	steel		
Center trunnion	cast iron		
Bearing arm	cast iron		
Pulleys	steel		
General Dimensions			
Base footprint	23 x 28 in. (584 x 711 mm)		
Assembled, w/ extension wings only, L x W x H	42-5/8 x 32-3/4 x 40-3/8 in. (1083 x 832 x 1026 mm)		
Assembled, with 30-in. rail set, L x W x H	66-3/4 x 39-1/8 x 40-3/8 in. (1694 x 993 x 1026 mm)		
Assembled, with 50-in. rail set, L x W x H	84-3/4 x 39-1/8 x 40-3/8 in. (2151 x 993 x 1026 mm)		
Caster elevation (approximate)	3/4 in. (19 mm)		
Shipping dimensions, saw only, L x W x H	29-7/8 x 33 x 43-1/2 in. (760 x 840 x 1105 mm)		
Weights			
Saw only – net weight	385 lb. (175 kg)	405 lb. (184 kg)	398 lb. (181 kg)
Saw only – shipping weight	535 lb. (243 kg)	555 lb. (252 kg)	548 lb. (249 kg)

¹ Note: For 460V operation, an overload relay (Part No. PM2000B-2107BORA) must be purchased separately and installed. A qualified electrician is recommended.

² subject to local/national electrical codes.

³ The specified values are emission levels and are not necessarily to be seen as safe operating levels. As workplace conditions vary, this information is intended to allow the user to make a better estimation of the hazards and risks involved only.

L = length, W = width, H = height, D = depth

n/a = not applicable

5.1 Kit configurations

	Stock numbers		
	PM231B	PM251B	PM253B
Saw only			
Saw with 30-inch rail set, wood ext table	PM23130K	PM25130K	PM25330K
Saw with 50-inch rail set, wood ext table	PM23150K	PM25150K	PM25350K
Saw with 50-inch rail set & router lift	PM23150RK	PM25150RK	PM25350RK
Saw with 50-inch rail set & workbench	PM23150WK	PM25150WK	PM25350WK

Table 2

The specifications in this manual were current at time of publication, but because of our policy of continuous improvement, Powermatic reserves the right to change specifications at any time and without prior notice, without incurring obligations.

WARNING Read and understand the entire contents of this manual before attempting set-up or operation. Failure to comply may cause serious injury.

6.0 Setup and assembly

6.1 Shipping contents

See Figure 6-1.

Remove all accessory boxes from shipping pallet. Remove items from inside cabinet. Do not discard any packing material until saw is assembled and running satisfactorily.

Compare contents of your container with parts list below to make sure all parts are intact. Any missing parts should be reported to your distributor. (Check saw first in case parts were preinstalled.)

- 1 Cabinet saw with switch – **A**
- 2 Cast iron extension wings – **B**
- 1 Miter gauge assembly – **C**
- 1 Motor cover with hinge pins – **D**
- 1 Push stick – **E**
- 1 Arbor wrench – **F**
- 1 Caster elevating handle – **G**
- 2 Handles – **H**
- 1 Handwheel – **J**
- 1 Handwheel lock knob – **K**
- 1 Blade guard – **L**
- 1 Low profile riving knife – **M**
- 1 Riving knife – **N**
- 1 Anti-kickback pawl assembly – **O**
- 1 Table insert (preinstalled) – **P**
- 1 Blade (preinstalled)
- 1 Product registration card
- 1 Operating Instructions and Parts Manual
- 1 Hardware package

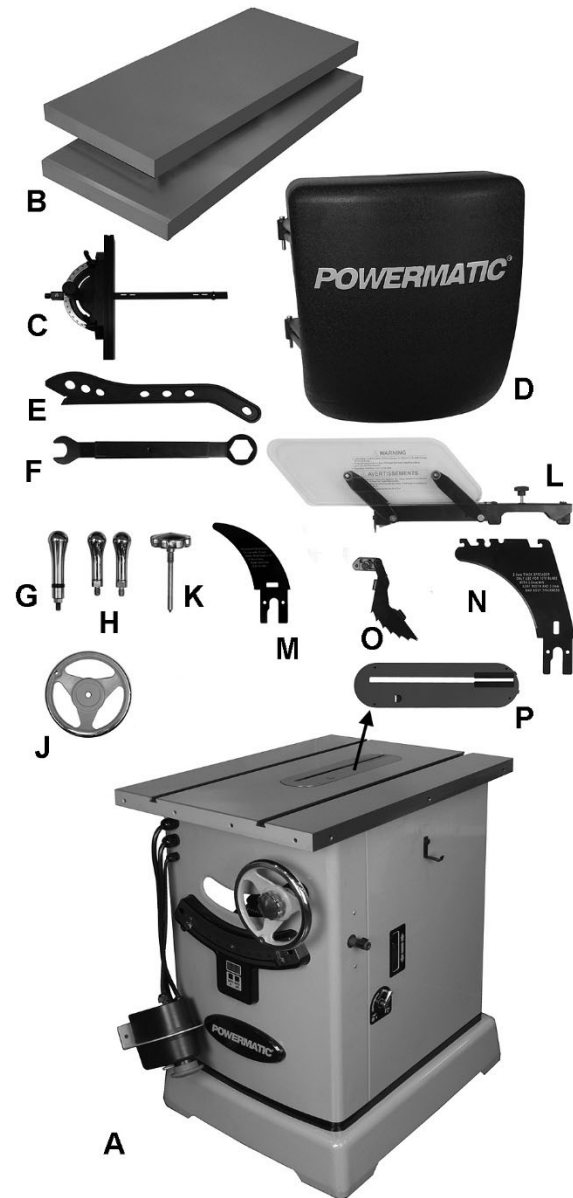


Figure 6-1 (items not to scale)

6.1.2 Hardware package #PM2000B-HP

See Figure 6-2.

- 6 Hex cap screws, M10x35 (**HP1**)
- 6 Lock washers M10 (**HP2**)
- 6 Flat washers M10 (**HP3**)

NOTE: Fence and rail assemblies with fasteners, and wood extension tables and legs with fasteners, are shipped in separate boxes.

6.2 Tools required for assembly

- Hex key 2.5mm
 - Open end wrenches: 14mm, 17mm
 - Straight edge
 - Rubber mallet (or hammer with block of wood)
- Note: A ratchet wrench with sockets will speed assembly time. Additional tools may be needed for assembly of fence and rails.

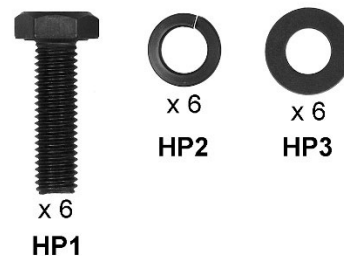


Figure 6-2 hardware package (PM2000B-HP)

⚠WARNING The saw must be disconnected from power source during assembly. Failure to comply may cause serious injury.

6.3 Unpacking and cleanup

1. Use a hoist to lift saw off pallet; or remove nailed boards holding saw cabinet to pallet and slide saw off pallet onto floor. (Be careful not to damage caster system while sliding it off pallet.)
2. The cabinet saw should be placed in an area with a sturdy level floor, good ventilation and sufficient lighting. Leave enough space around the machine for mounting extension tables and rail assemblies, and loading and off-loading stock and general maintenance work.
3. Exposed metal surfaces, such as table top and extension wings, have been given a protective coating at the factory. This should be removed with a soft cloth moistened with kerosene or a cleaner-degreaser. Do not use acetone, gasoline, or lacquer thinner for this purpose. Do not use solvents on plastic parts, and avoid using an abrasive pad as it may scratch surfaces.

6.4 Installing extension wings

See Figure 6-3.

1. Mating edges of table and wings should be clean and free of burrs.
2. Attach an extension wing (B) to saw table. (Extension wings are identical). Use three screws, lock washers and flat washers (HP-1/2/3). Lightly snug screws with 17mm wrench or socket. *Do not fully tighten yet.*

Assembly Tip: If you are doing this without an assistant, lift extension wing perpendicular to table edge. Install center screw and washers, and make snug. Then pivot wing parallel to saw table to insert remaining two screws.

3. Repeat for opposite extension wing. Lightly snug screws. *Do not fully tighten yet.*
4. The front edge of extension wings must be flush with front edge of saw table. If needed, tap front edge of wing with a rubber mallet to make flush. See Figure 6-4.

6.4.1 Leveling extension wings

Level extension wings to saw table using a straight edge. A metal straight edge is ideal, though a carefully jointed board may also be used.

Two methods are described below: one using a rubber mallet, the other using clamps on the table edges.

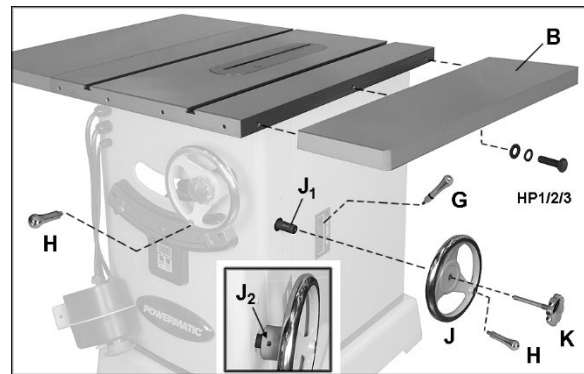


Figure 6-3: installing accessories

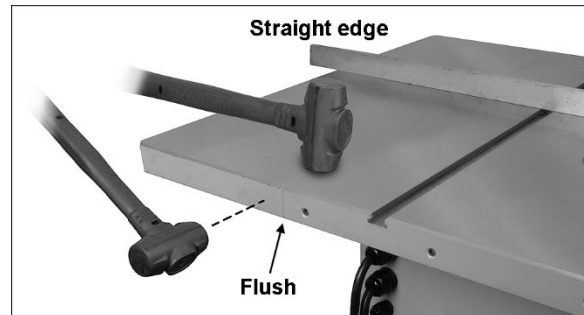


Figure 6-4: leveling extension wings, method 1

Method 1 (Figure 6-4):

1. Shift extension wing so it is slightly above saw table surface.
2. Begin by tightening the three screws beneath extension wing that secure it to saw table. Tighten these just enough to hold wing in place but loose enough to change wing height by tapping on it. (Tap with rubber mallet, or hammer over a flat block of wood. Never use a steel-faced hammer directly on the tables.)
3. Lay straight edge across saw table and extension wing, extending it out past edge of wing as shown in Figure 6-4.
4. Move straight edge to several places along wing, as you continue to nudge wing level with saw table. Also brush your fingertips over the seam to ensure the transition feels smooth. As each area of wing becomes flush with table, tighten screw under that area. Continue until all three screws are fully tightened. NOTE: Make sure front edge of wing remains flush with front edge of saw table.
5. Repeat above steps for opposite extension wing.

Method 2 (Figure 6-5):

1. Follow steps 1 through 3 from Method 1.
2. Position clamps over seam, one at front, one at back of table. Use a pad or flat block beneath clamp jaw to prevent damage to table surface. See Figure 6-5.

3. Tighten both clamps to align front and back edges of tables. Make sure front edge of wing remains flush with front edge of saw table.
4. Tighten screws incrementally, and position straight edge at various places across seam, especially checking at the center. Make further adjustments as needed.
5. Fully tighten screws.



Figure 6-5: leveling extension wings, method 2

6.5 Handwheel, knobs, levers

See Figure 6-3.

1. Remove tape from around shaft to expose threads and shaft key (J₁, Figure 6-3).
2. Ensure that set screw in handwheel (J₂) is backed out sufficiently to prevent interference.
3. Ensure that key is in slot. Slide handwheel onto shaft, aligning keyway with key.
4. Push handwheel on shaft as far as it will go, then tighten set screw (J₂).
5. Install locking knob (K, Figure 6-3) and handles (H). Use wrench on flat of handles to tighten against handwheels.

6.6 Rails and Fence

With extension wings properly mounted, the rails and Accu-Fence® assembly can now be mounted to saw. Consult manual no. M-2195079B which accompanies the fence, then proceed with *sect. 6.7* below.

6.6.1 Switch bracket

See Figure 6-6.

The switch bracket is installed at the same time as guide tube. Use two screws with washers which are provided with the rails.

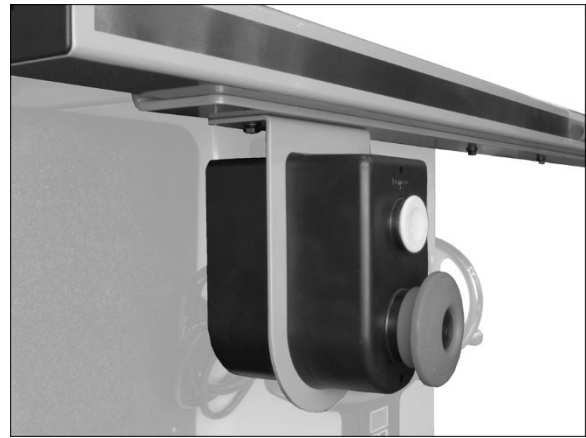


Figure 6-6: installing switch

6.6.2 Wood Extension Table

For instructions on mounting the accessory wood extension table, consult Accu-Fence manual, no. M-2195079B.

6.7 Motor cover

See Figure 6-7.

Slide pins of motor cover into hinge barrels on saw. Close motor cover until it catches on post on saw.

Note: The catch mechanism may require adjustment to ensure proper closure. Loosen screw and position as needed. Retighten screw.



Figure 6-7: installing motor cover

6.8 Table insert

See Figure 6-8.

Place insert into table opening. Verify that insert lies flush with table surface by resting a straight edge across it at various points. If insert is not flush along its length, turn any of 4 set screws to raise or lower that area of insert.

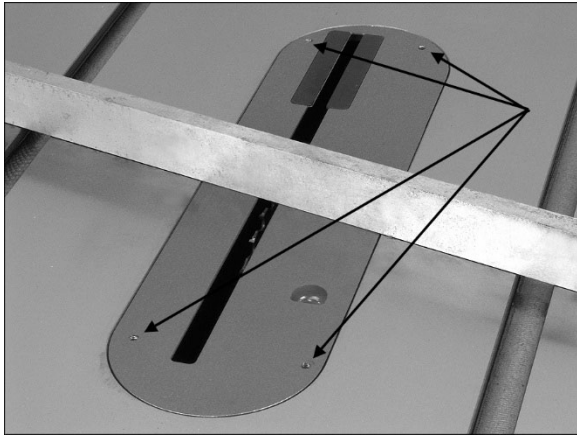


Figure 6-8: leveling table insert

6.9 Installing and removing blade

CAUTION Use caution when working with or near sharp saw blades to prevent injury.

See Figure 6-9.

1. Disconnect machine from power source.
2. Remove table insert.
3. Raise blade arbor to highest position, and set blade tilt to 0°.
4. Install blade onto arbor, making sure teeth point downward toward front of saw.
5. Install flange and nut as shown.
6. Press down and hold lever (R, Figure 6-9), and rotate blade until arbor lock engages. Tighten nut clockwise with provided arbor wrench. Do not overtighten nut.

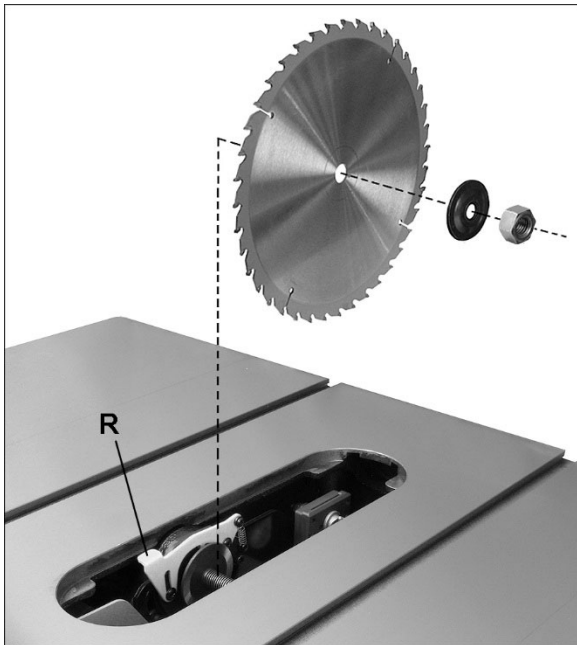


Figure 6-9: installing blade

7. To remove blade, engage arbor lock and remove nut with wrench.

6.10 Installing guard/knife assembly

See Figure 6-10.

6.10.1 Riving knife

1. Remove table insert.
2. Raise blade arbor to highest position and set blade tilt to 0°.
3. Pull clamp lever (S₁, Figure 6-9) upward. The clamp plate (S₂) is spring loaded and will move away from the fixed base, leaving a gap.

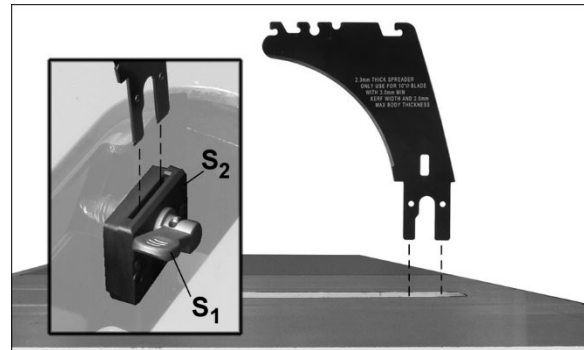


Figure 6-10: installing guard assembly

4. Slide prongs of riving knife (N) into slot on clamping base, and push riving knife down as far as it will go.
5. Push clamp lever (S₁) down to closed position.
6. Riving knife must be parallel to saw blade. See sect. 8.7 for inspection and adjustments.

NOTE: A low-profile riving knife is also provided, for making non-through cuts on the table saw.

6.10.2 Anti-kickback pawls

See Figures 6-11 and 6-12.

1. Install insert plate into table.
2. Push and hold button (O₁) on opposite side of the head to release the catch pin. Mount pawl assembly straight down, in the location shown in Figure 6-11.
3. Pivot head and push it downward (Figure 6-12) until there is an audible click. *Make sure you hear the click to verify that pawl assembly is secure.*

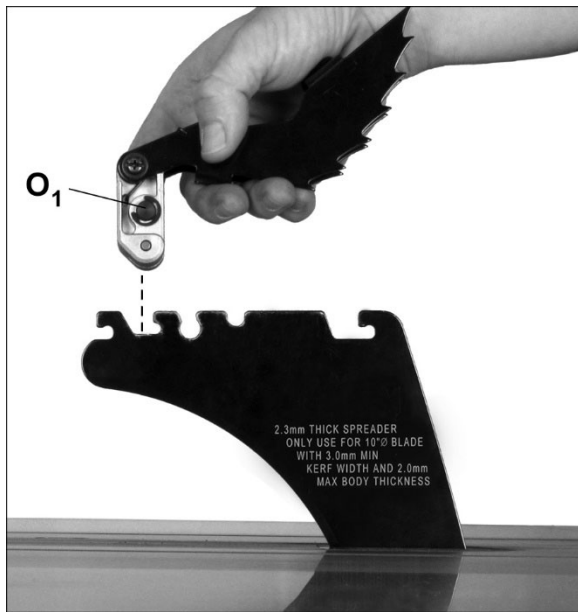


Figure 6-11

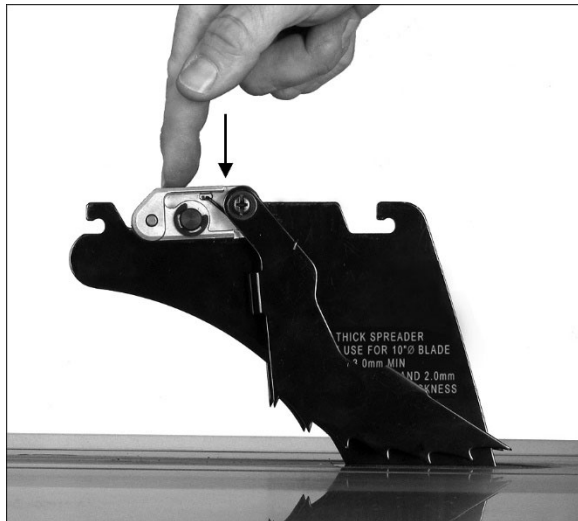


Figure 6-12

6.10.3 Blade guard

See Figure 6-13.

1. Push up guard leaves (E, Figure 6-12) until they catch and hold on the peg (F).
2. Lower blade guard assembly onto riving knife and push it backward to seat it.
3. Tighten knob (G).
4. Pull down guard leaves (E) and allow them to drop to the table.
5. Reverse procedure to remove guard.

IMPORTANT: Knob (G) must be tightened before operating saw with guard in place.

⚠WARNING Guard, riving knife, and pawl assemblies must be securely installed, and

leaves must be in contact with table, before beginning any through-cutting operation.

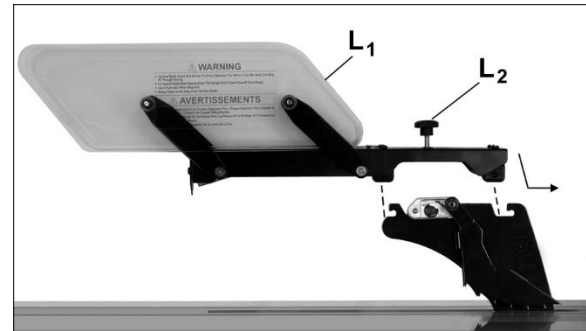


Figure 6-13

The riving knife clamping base is adjusted by the manufacturer and no further adjustment of blade guard and riving knife assembly should be necessary. However, **proper alignment is very important.** Before operating table saw, read sect. 8.7, *Riving knife alignment*, to verify and follow adjustment procedure if necessary.

6.11 Dust port

Use of a dust collection system (not provided) is strongly recommended during table saw operation. It will help keep the shop clean, as well as prevent potential health issues due to dust inhalation.

Make sure internal hose is pushed into external dust port (Figure 6-14). Attach hose from your dust collection system to the 4-inch dust port at base of saw, and secure with wire hose clamp (not provided).



Figure 6-14

7.0 Electrical connections

⚠WARNING Electrical connections must be made by a qualified electrician in compliance with all relevant codes. This machine must be properly grounded to help prevent electrical shock and possible fatal injury.

A power plug is not provided with the PM2000B. You may either connect the proper UL/CSA listed plug or “hardwire” the machine directly to your

electrical panel provided there is a disconnect near the machine for the operator. Consult electrical drawings in *sect. 15.0* for further clarification of wiring setup.

Before connecting to power source, be sure switch is in *off* position.

It is recommended that the 3HP 1-phase, and 5HP 3-phase table saws be connected to a dedicated **20 amp** circuit with breaker or fuse.

The 5HP 1-phase saw should be connected to a **30 amp** circuit with breaker or fuse.

If connected to a circuit protected by fuse, use time delay fuse marked “D”. **Local codes take precedence over recommendations.**

7.1 GROUNDING INSTRUCTIONS

This machine must be grounded. In the event of a malfunction or breakdown, grounding provides a path of least resistance for electric current to reduce the risk of electric shock. This tool is equipped with an electric cord having an equipment-grounding conductor. A plug is not provided. A proper UL/CSA listed plug may be installed or the machine may be “hard-wired” to a circuit panel. If hard-wired, make sure a disconnect is available to the operator.

Improper connection of the equipment-grounding conductor can result in a risk of electric shock. The conductor with insulation having an outer surface that is green with or without yellow stripes is the equipment-grounding conductor. If repair or replacement of the electric cord or a plug is necessary, do not connect the equipment-grounding conductor to a live terminal.

⚠️WARNING Check with a qualified electrician or service personnel if the grounding instructions are not completely understood, or if in doubt as to whether the tool is properly grounded. Failure to comply may cause serious or fatal injury.

Repair or replace damaged or worn cord immediately.

7.2 Voltage conversion (3-phase model only)

1. Remove transformer cover at back of machine, and move fuse from 230V position to 460V position on transformer.
2. Switch the incoming power leads to the motor for 460 volt operation, according to wiring diagram on inside cover of motor junction box. A similar diagram is found in *sect. 15.0* of this manual. (*In case of discrepancy, diagram in junction box takes precedence.*)

3. Replace the 230V overload relay with a 460V overload relay (additional purchase, part number PM2000B-2107BORA).
4. If using a plug, the 230V plug must be replaced with a UL/CSA listed plug rated for 460V.

7.3 Extension cords

USE PROPER EXTENSION CORD. Make sure your extension cord is in good condition. When using an extension cord, be sure to use one heavy enough to carry the current your product will draw. An undersized cord will cause a drop in line voltage resulting in loss of power and overheating. Table 3 shows correct size to use depending on cord length and nameplate ampere rating. If in doubt, use the next heavier gauge. The smaller the gauge number, the heavier the cord.

Amp Rating		Volts	Total length of cord (ft.)			
More Than	Not More Than	240	50	100	200	300
			AWG			
0	6		18	16	16	14
6	10		18	16	14	12
10	12		16	16	14	12
12	16		14	12	Not Recommended	

Table 3: extension cord recommendations

7.4 Magnetic switch and safety key

Refer to Figure 7-2.

Power Indicator Light – The start switch has a power indicator lamp which is on **whenever there is power connected** to the saw, not just when the saw is running. *Do not assume that no light means there is no power to the machine.* If the bulb is bad, there will no indication. Always check before use.

⚠️WARNING Do not rely that no light means no power to the machine. Always check for power first. Failure to comply may cause serious injury.

Start – Press green start switch.

When power is connected to the machine, the green light is always on regardless of whether the saw is running or not.

Stop – Press red switch to stop.

Reset – If the saw stops without pressing the stop button, as the result of a tripped fuse or circuit breaker:

1. Press red button to reset.
2. Press green button to restart machine.

7.4.1 Safety Key

The switch is equipped with a magnetic safety key. When in place on the switch as shown in Figure 7-2, the safety key trips a relay which will allow the machine to start and stop when the respective switches are pressed. Being magnetic, the key can be removed to make the machine inoperable and can be hidden for safe storage by attaching it underneath the rail or another magnetic surface.

When using the saw, place the key on the switch cover lining up the arrow on the key with the REMOVE arrow on the cover. Then rotate the key so the arrow lines up with the LOCK arrow. This prevents the safety key from vibrating loose when machine is in use.

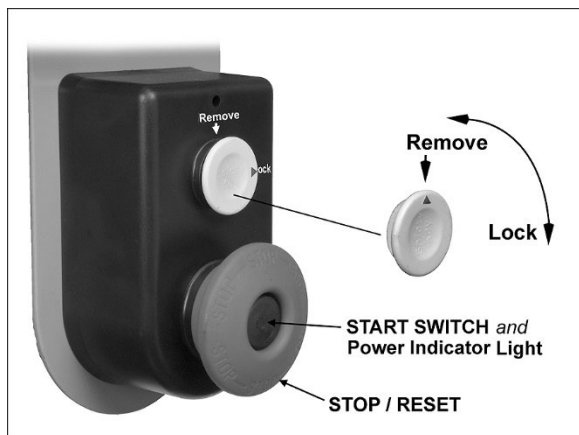


Figure 7-2

8.0 Adjustments

8.1 Tools required for adjustments

Hex keys: 2.5mm, 3mm, 4mm
Wrenches: 13mm, 19mm, 22mm (or adjustable)
Straight edge
Square

8.2 Fence alignment

Before using the Accu-Fence®, verify that it is properly aligned with the blade. Consult manual no. M-2195079B that accompanied the fence.

8.3 Blade raising and tilting

See Figure 8-1.

To raise or lower blade, loosen lock knob (A, Figure 8-1) and turn handwheel (B) on front of saw until desired height is reached. Tighten lock knob (A). The blade should be raised about 1/8" above top surface of material being cut.

To tilt blade, loosen lock knob (C) and turn handwheel (D) until desired angle is obtained, as shown on tilt scale or DRO. Retighten lock knob (C).

The DRO, or digital readout (E) displays the angle for quick positioning. See sect. 8.10 for calibration of the DRO.

Reference pointers (F) can be positioned at any point along scale; loosen knob and slide pointer to position, then tighten knob. These provide a quick reference point for aligning the angle indicator.



Figure 8-1: blade adjustments

8.4 Caster mechanism

To engage caster system, pump handle (G, Figure 8-1) about 4 or 5 times.

Disengage caster system by turning handle (H) counterclockwise. **Casters must be disengaged before operating saw.**

Note: It is recommended that saw be lowered to resting position after being moved to desired location. If left in raised position for an extended period, saw will gradually settle back to floor – this is normal.

8.5 Miter gauge

Refer to Figures 8-2 and 8-3.

8.5.1 Setting miter angle

The miter gauge has rack and pinion adjustment for setting angle. To operate:

1. Slide miter gauge into table slot.
2. Loosen lock handle (H, Figure 8-2) by turning counterclockwise.
3. Pull out spring-loaded knob (J) and rotate knob until body (K) of miter gauge is at desired angle as indicated on scale.
4. Tighten lock handle (H).

8.5.2 Indent settings

There are indents at 0°, 30° and 45° right and left positions. At these settings, release knob (J) to engage indent. Then tighten lock handle (H).

Note: Do not rely solely on the indents for an accurate setting. After stop rod engages at the 0°, 30° and 45° positions, make a fine adjustment with the knob (J) if necessary, setting it against the scale indicator (L).

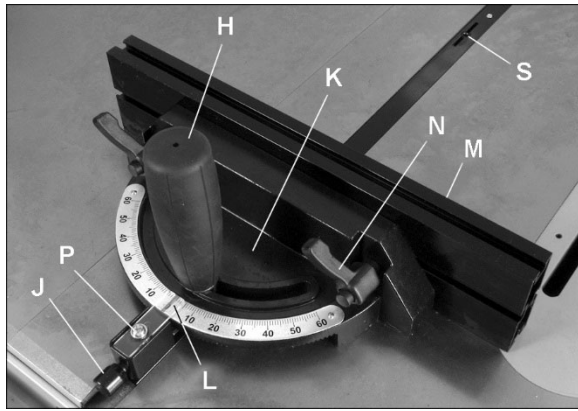


Figure 8-2

8.5.3 Miter gauge fence

The miter gauge fence (M, Figure 8-2) can be adjusted by sliding to right or left, or removed entirely.

To adjust, loosen two lock handles (N), slide fence and retighten lock handles. **Make sure end of fence is not in blade path.**

NOTE: The lock handles (N) are adjustable. Pull out on handle, rotate it to different position, then release, making sure it seats itself upon the pin.

To remove miter gauge fence, slide it completely off and remove lock handles (N) and mounting hardware.

8.5.4 Miter gauge calibration

1. Place miter gauge into table slot.
2. Set miter gauge at 90° to blade (0° setting on scale) by loosening lock handle (H, Figure 8-2), then pulling out spring-loaded knob (J) and turning body (K) until 0° is indicated on scale.
3. Measure accuracy of miter gauge against slot with a square.

If adjustment is needed:

4. Adjust body (K) until it is square (90°) to miter slot.
5. Tighten lock handle (H).
6. Verify that scale indicator (L) reads 0°. If it does not, loosen screw (P) and adjust indicator (L) until it reads 0°. Retighten screw (P).
7. If the above procedure does not satisfactorily align the miter gauge, loosen two screws (R, Figure 8-3) beneath mounting block and shift block as needed. Retighten screws when finished.

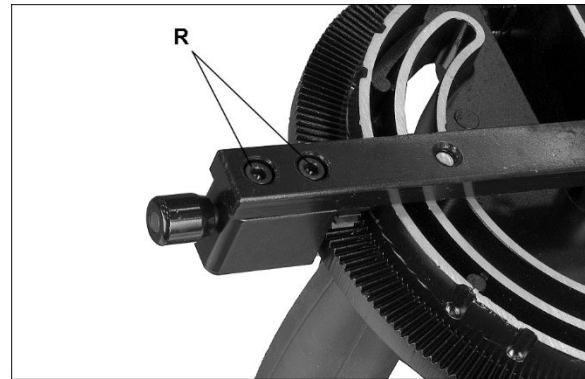


Figure 8-3

NOTE: The miter gauge bar has two slots with set screws (S, Figure 8-2). Adjust these set screws to eliminate any play between bar and miter slot.

8.6 Blade tilt stop adjustment

The stops for 90°, 45° blade tilt, and elevation settings have all been factory set, and should require no immediate adjustment. The settings should be confirmed by the operator, however, and especially if cuts become inaccurate. Both tilt stops are located on the trunnion.

8.6.1 Tilt stop 90°

1. Disconnect machine from power source.
2. Make sure table insert has been leveled with table surface (sect. 6.8).
3. Raise blade to highest position, and place a square on table and against blade (Figure 8-4). Make sure that a blade tooth does not obstruct the actual reading.
4. Tilt blade with handwheel until square and blade are flush.
5. If adjustment is required, loosen nut on 90° stop screw (Figure 8-5) with 13mm wrench, and turn screw to proper height. Verify setting and retighten nut against trunnion.
6. Check pointer position on scale (Figure 8-5). If needed, loosen screw and adjust pointer to zero. Retighten screw.

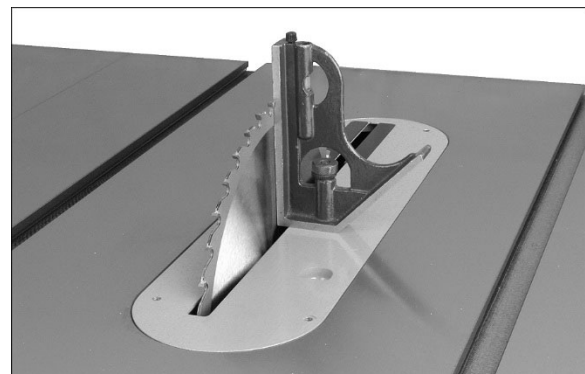


Figure 8-4

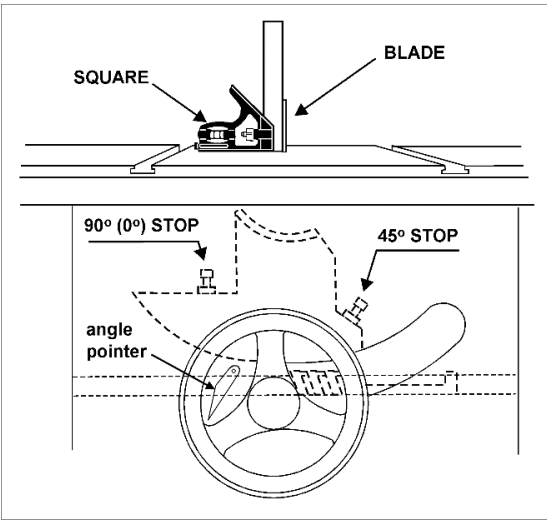


Figure 8-5: blade stops

8.6.2 Tilt stop 45°

Follow same procedure as above, but with blade tilted at 45°, as shown in Figure 8-6.

Adjust 45° stop shown in Figure 8-5. Confirm setting, then retighten nut.

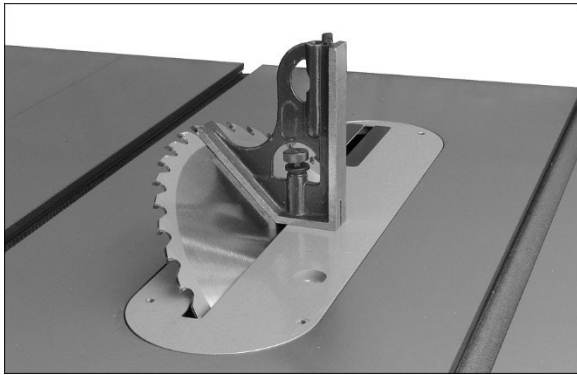


Figure 8-6

8.7 Riving knife alignment

8.7.1 Lateral alignment

Saw blade and riving knife must be as closely aligned as possible (lateral alignment) for prevention of kickback. This should be checked upon initial blade guard and riving knife installation. Alignment should also be reaffirmed after each blade change.

Inspect alignment as follows:

1. Remove blade guard and pawl assembly.
2. Place a straightedge on table so it rests against blade and riving knife. See Figure 8-7. Rotate blade so that top of blade tooth touches straightedge.

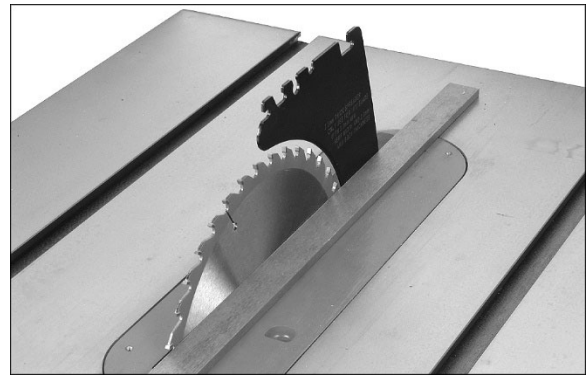


Figure 8-7

The saw blade and riving knife must be in line. If adjustment is needed:

3. Pull up lever (A, Figure 8-8) and remove riving knife, making note as to which direction riving knife needs to be moved to align it with saw blade.
4. Use 3mm hex key to make adjustments to four set screws (B, Figure 8-8). Adjust any of the set screws required to bring riving knife in alignment with saw blade.
5. Reinsert riving knife, secure by tightening lever (A) and check alignment per step 2.
6. Repeat steps 3–5 until alignment is correct.

8.7.2 Blade proximity alignment

The gap between saw blade and riving knife must be between 3mm (0.12in.) and 8mm (0.32in.). See Figure 8-9.

If adjustment is needed, note whether blade-to-knife gap needs to be increased or decreased. Then adjust as follows:

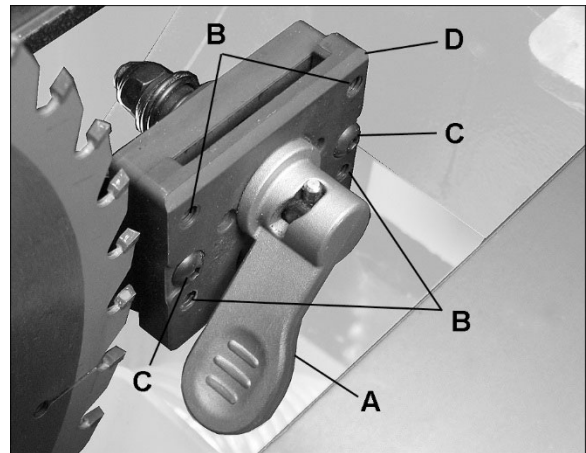


Figure 8-8

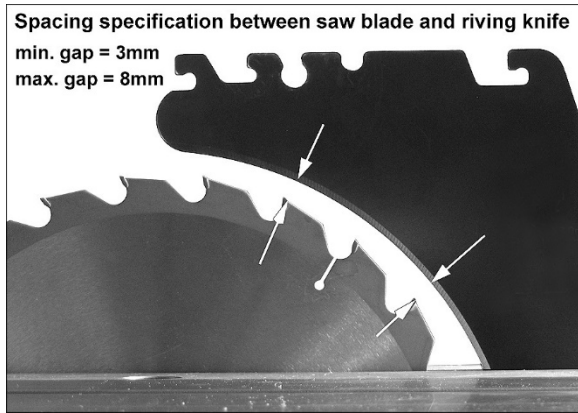


Figure 8-9

7. Remove blade guard, pawl assembly, table insert and riving knife.
8. Use 3mm hex key to loosen two socket head button screws (C, Figure 8-8). This will allow the clamp plate (D) to slide back and forth on the fixed base.

Slide clamp plate (D) toward or away from saw blade as required. Attempt to make the gaps as even as possible.
9. Tighten screws (C).
10. Reinsert riving knife; engage lever (A) and check that saw blade/knife gap is between 3-8mm (Figure 8-9).

8.8 Table to blade alignment

See Figures 8-10 and 8-11.

The table has been squared to the blade by the manufacturer and no adjustment should be needed now. If cuts become inaccurate, check table/blade squareness and correct if necessary.

1. Disconnect saw from power source.
2. Raise blade to maximum height.
3. Mark one tooth (A, Figure 8-10) with a grease pencil and position the tooth slightly above top edge of table at the front.
4. Raise miter gauge slightly out of its slot to serve as a shoulder. Using a sliding square (B) against the side of the bar, slide the scale over until it touches the tip of the blade, and lock scale in position.

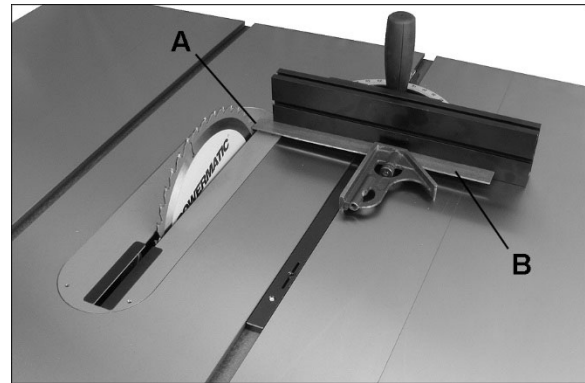


Figure 8-10

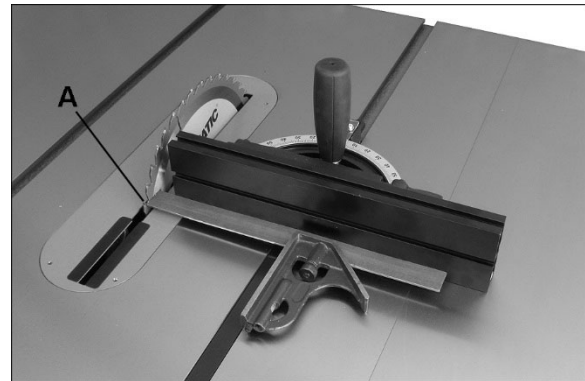


Figure 8-11

5. Rotate marked tooth (A) so that it is slightly above table top at the rear, using the square as before to verify that distance to blade is identical. See Figure 8-11. If the two distances are not the same, make a careful note of the difference.
6. Loosen table screws (*item #24, sect. 14.1.1*), and nudge table according to the distance you noted.
7. Retighten screws firmly.
8. Verify alignment, angle pointer setting, fence setting, etc. Make any needed adjustments.

8.9 Belt adjustment

8.9.1 Belt tension

See Figure 8-12.

Drive belt tension should be inspected after the first few days of operation, as a belt may stretch slightly during initial use; also inspect it periodically thereafter.

To tighten belt:

1. Disconnect machine from power source.
2. Loosen screw (C, Figure 8-12) with 17mm wrench.
3. Slightly loosen nut (D) with 1-1/4" (or adjustable) wrench.

4. Push motor to the right and tighten screw (C) to tension belt. Retighten nut (D). Verify proper tension by pushing on belt midway between pulleys; deflection should be about 1/2-inch.

If belt shows signs of wear, fraying, cracks, etc. it should be replaced, as follows.

8.9.2 Belt replacement

See Figure 8-12.

1. Lower trunnion completely.
2. Loosen screw (C) with 17mm wrench.
3. Slightly loosen nut (D) with 1-1/4" (or adjustable) wrench.
4. Pivot motor to the left to release tension.
5. Replace belt.
6. Push motor to the right and tighten screw (C) to tension new belt. Retighten nut (D). Verify proper tension by pushing on belt midway between pulleys; deflection should be about 1/2-inch.

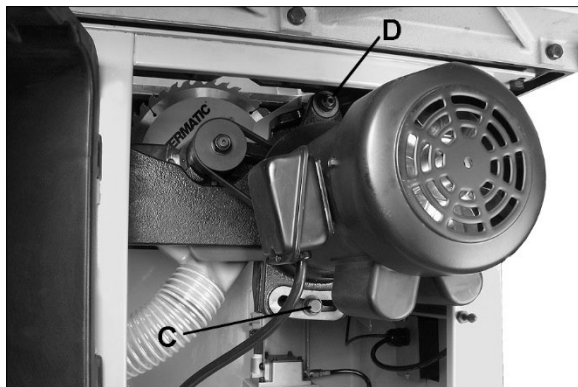


Figure 8-12

8.10 DRO calibration and operation

When the 0° and 45° blade tilt stops have been verified to be correct, the DRO (digital readout) can be calibrated to match the settings.

Sect. 8.10.1 describes general calibration procedure. Sect. 8.10.2 describes mandatory calibration procedures if the PCB sensor is ever replaced in the table saw.

8.10.1 General calibration

1. Blade tilt stops must be correctly set. See sect. 8.6.
2. Connect machine to power source. DRO will be illuminated.
3. If saw blade is relatively close to 0°, set blade to exactly 0° and press "SET 0" button. Readout will display 0.00. See Figure 8-13.

Or, if saw blade is relatively close to 45°, set blade to 45°, and press "SET 45" button. Readout will display 45.0.

4. Calibration is complete.

NOTE: If power is disconnected, digital display will reset to 0.00. When power is restored, repeat above procedure.

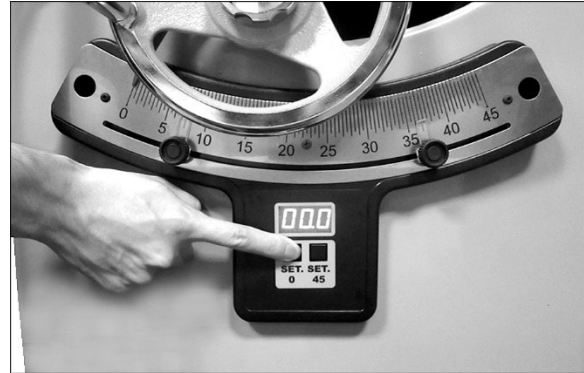


Figure 8-13

8.10.2 PCB replacement calibration

1. Blade tilt stops must be correctly set. See sect. 8.6.
2. Connect machine to power source. DRO will be illuminated.
3. Tilt saw blade to 0°.
4. Press and hold both SET buttons until display shows "---" (Figure 8-14).
5. Release buttons and display will show "00.0".
6. Calibration at 0° is complete. (If "00.0" does not display, disconnect from power, reconnect and repeat above procedure.)
7. Tilt blade to 45°.
8. Press and hold both SET buttons until display shows "---" (Figure 8-14).
9. Release buttons and display will show "45.0".
10. Calibration at 45° is complete. (If "45.0" does not display, disconnect from power, reconnect and repeat above procedure.)

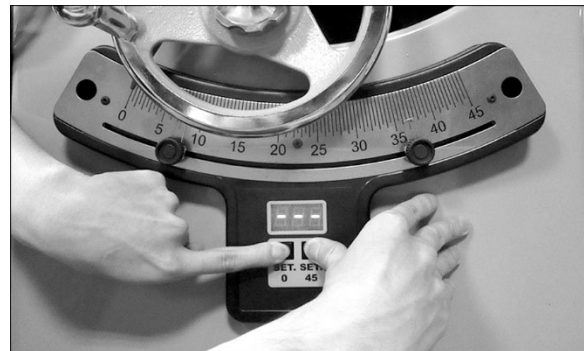


Figure 8-14

9.0 Operations

Familiarize yourself with the location and operation of all controls and adjustments and the use of accessories such as miter gauge and rip fence.

Note: The following figures are general in nature and may not show your particular saw model.

9.1 Kickback prevention

Serious injury can result from kickbacks which occur when a workpiece binds on the saw blade or binds between the blade and rip fence or other fixed object. This binding can cause the workpiece to lift up and be thrown toward the operator.

Listed below are conditions which can cause kickbacks:

- ❑ Confining the cutoff piece when crosscutting or ripping.
- ❑ Releasing workpiece before completing operation or not pushing workpiece all the way past saw blade.
- ❑ Not using splitter/riving knife when ripping or not maintaining alignment of splitter/ riving knife with saw blade.
- ❑ Using dull saw blade.
- ❑ Not maintaining alignment of rip fence so that it tends to angle toward rather than away from saw blade front to back.
- ❑ Applying feed force when ripping to the cutoff (free) section of workpiece instead of the section between saw blade and fence.
- ❑ Ripping wood that is twisted (not flat), or does not have a straight edge, or has twisted grain.

To minimize or prevent injury from kickbacks:

- ❑ Avoid conditions listed above.
- ❑ Wear a safety face shield, goggles, or safety glasses.
- ❑ Do not use miter gauge and rip fence in the same operation unless provision is made by use of a facing board on the fence, to allow the cutoff section of workpiece to come free before the actual cut begins (See Figure 9-8).
- ❑ As the machine receives use, the operation of the anti-kickback pawls should be checked periodically (Figure 9-1). If the pawls do not stop the reverse motion of a workpiece, resharpen all the points.

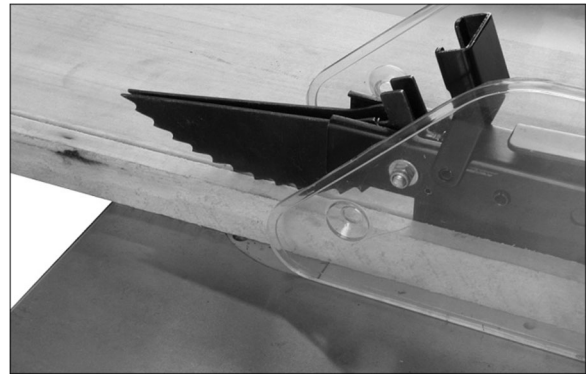


Figure 9-1

- ❑ Where possible, keep your face and body out of line with potential kickbacks, including when starting or stopping the machine.
- ❑ Dull, badly set, improper, or improperly filed cutting tools, and cutting tools with gum or resin adhering to them can cause accidents. Never use a cracked saw blade. The use of a sharp, well maintained, and correct cutting tool for the operation will help avoid injuries.
- ❑ Support the work properly and hold it firmly against gauge or fence. Use a push stick or push block when ripping short, narrow (6" width or less), or thin work. Use a push block or miter gauge hold-down when dadoing or molding.
- ❑ Never use the fence as a length stop when crosscutting. Do not hold or touch the free end or cutoff section of a workpiece. On through-sawing operations, the cutoff section must NOT be confined.
- ❑ Always keep your hands out of line of the saw blade and never reach back of the cutting blade with either hand to hold the workpiece.
- ❑ Bevel ripping cuts should always be made with the fence on the right side of saw blade so that the blade tilts away from the fence and minimizes possibility of the work binding and the resulting kickback.

9.2 Rip sawing

Ripping is feeding the workpiece with the grain into the saw blade using the fence or other positioning device as a guide to ensure desired width of cut (Figure 9-2).

⚠WARNING Before starting a rip cut, verify that fence is clamped securely and aligned properly.

- ❑ Never rip freehand or use miter gauge in combination with the fence.
- ❑ Never rip workpieces shorter than the saw blade diameter.
- ❑ Never reach behind the blade with either hand to hold down or remove the cutoff piece with the saw blade rotating.



Figure 9-2

Always use blade guard, splitter/ripping knife and anti-kickback pawls. Make sure splitter/ripping knife is properly aligned. When wood is cut along the grain, the kerf tends to close and bind on the blade and kickbacks can occur.

Note: A warning decal is affixed to the guard to remind the operator of some basic safety procedures.

The rip fence should be set for the width of the cut by using the scale on the front rail, or by measuring the distance between blade (A) and fence (B). Stand out of line with saw blade and workpiece to avoid sawdust and splinters coming off the blade or a potential kickback.

If the workpiece does not have a straight edge, nail an auxiliary straight edged board on it to provide one against the fence. To cut properly, the board must make good contact with the table. Do not attempt to cut warped boards.

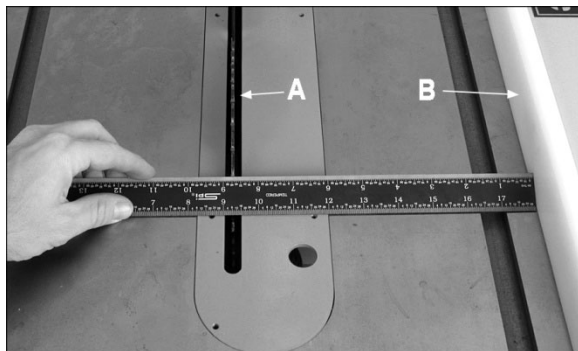


Figure 9-3

In ripping, use one hand to hold the board down against the fence or fixture, and the other to push it into the blade between blade and fence. If workpiece is narrower than 6" or shorter than 12", use a push stick or push block to push it through between fence and blade (Figure 9-4). Never push in a location such that the pushing hand is in line with the blade. Move the hand serving as a hold-down a safe distance from blade as cut nears completion.

For very narrow ripping where a push stick cannot be used, use a push block or auxiliary fence.

Always push the workpiece completely past the blade at the end of a cut to minimize the possibility of a kickback.

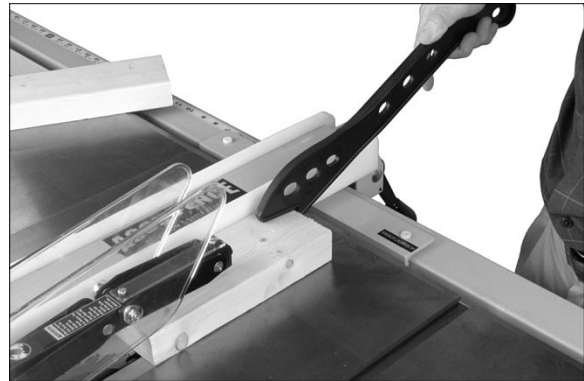


Figure 9-4

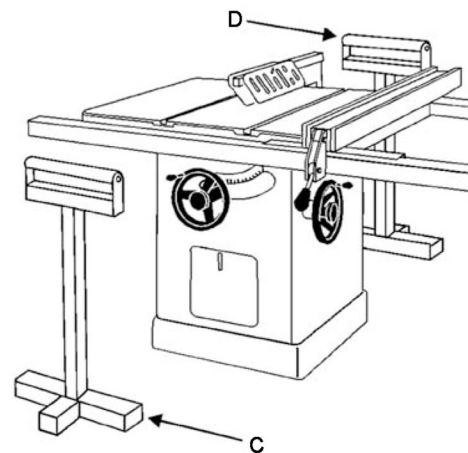


Figure 9-5

When ripping long boards, use a support at front of table (C, Figure 9-5), such as a roller stand, and a support or "tailman" at the rear (D).

Never use the rip fence beyond the point where the carriage is flush with the end of the rails.

Have the blade extend about 1/8" above top of workpiece. Exposing the blade above this point can be hazardous.

9.3 Resawing

Resawing is a ripping operation in which thick boards are cut into thinner ones. Note: A band saw is the ideal tool for resawing.

WARNING If the table saw is used for resawing, take precautions such as using an auxiliary fence, resaw barrier or similar devices to stabilize the workpiece and provide operator safety.

Narrow boards up to 3" can be resawn in one pass. Wider boards up to 6" must be resawn in two passes.

In resawing wider boards, adjust the blade height so as to overlap the two cuts by 1/2" as shown in Figure 9-6. Too deep a first cut can result in binding and possible kickbacks on the second cut. Always use the same side of the board against the fence for both cuts.

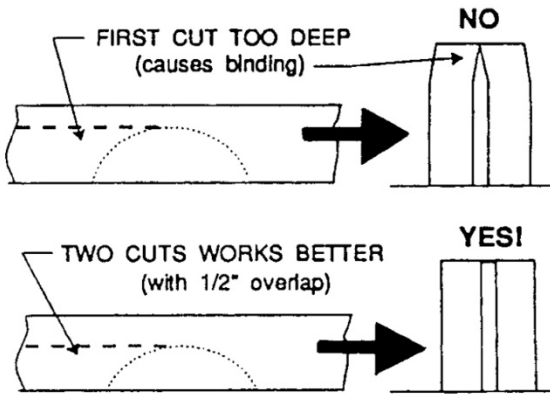


Figure 9-6

9.4 Crosscutting

Crosscutting is where the workpiece is fed cross grain into the saw blade using the miter gauge to support and position the workpiece (Figure 9-7).



Figure 9-7

Crosscutting should **never** be done freehand nor should the fence be used as an end stop unless an auxiliary block (E, Figure 9-8) is clamped to the front of the blade area such that the cutoff piece comes free of the block before cutting begins.

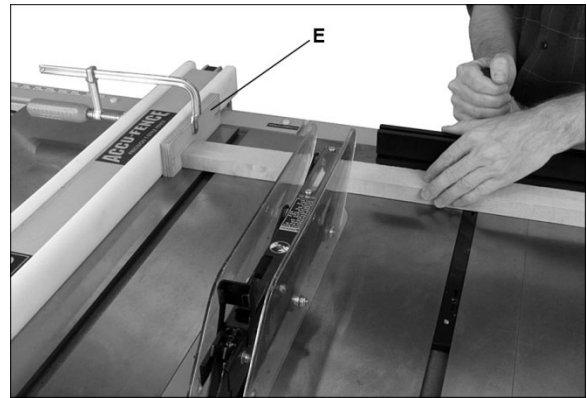


Figure 9-8

Length stops should not be used on the free end of the workpiece in the cutoff area.

Do **not** crosscut workpieces shorter than 6". Before starting a cut, be sure the miter gauge is securely clamped at the desired angle. Hold the workpiece firmly against the table and back against the miter gauge. **Always** use the saw guard and riving knife and make sure the riving knife is properly aligned.

For 90 degree crosscutting, most operators prefer to use the left-hand miter gauge slot. When using it in this position, hold the workpiece against the gauge with the left hand and use the right hand to advance the workpiece. When using the right hand slot for miter and compound crosscutting so that the blade tilts away from the gauge, the hand positions are reversed.

When using the miter gauge, the workpiece must be held firmly and advanced smoothly at a slow rate. If the workpiece is not held firmly, it can vibrate causing it to bind on the blade and dull the saw teeth.

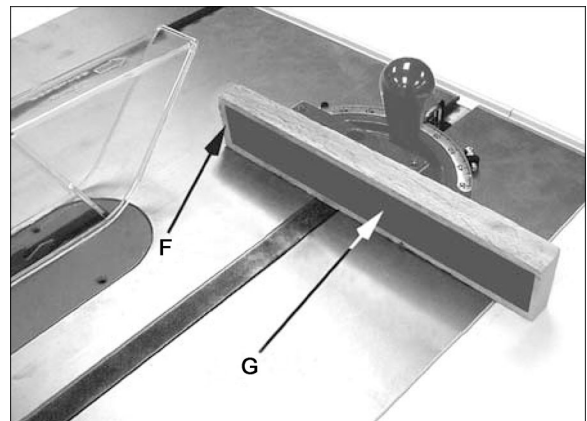


Figure 9-9

To augment the effectiveness of the miter gauge in crosscutting, some users mount an auxiliary wood extension face (F, Figure 9-9) with a glued-on strip of sandpaper (G) to help grip the workpiece.

Provide auxiliary support for any workpiece extending beyond the table top with a tendency to sag and lift up off the table.

Have the blade extend about 1/8" above the top of the workpiece. Exposing the blade above this point can be hazardous.

9.5 Bevel and miter operations

Bevel cut – A bevel cut is a special type of operation where the saw blade is tilted at an angle less than 90-degrees to the table top (Figure 9-10). Operations are performed in the same manner as ripping or crosscutting, except the fence or miter gauge should be used on the right-hand side of the blade to provide added safety in avoiding a binding action between blade and table top. When beveling with the miter gauge, the workpiece must be held firmly to prevent creeping.

CAUTION Never use a zero-clearance insert with saw blade in tilted position.



Figure 9-10

Mitering – Crosscuts made at an angle to the edge of the workpiece are called miters (Figure 9-11). Set the miter gauge at the required angle, and make the cut the same as a normal crosscut except the workpiece must be held extra firmly to prevent creeping.



Figure 9-11

Note: When making compound miters (with blade tilted) use the miter gauge in the **right** hand slot to provide more hand clearance and safety.

Have the blade extend only 1/8" above the top of the workpiece. Exposing the blade above this point can be hazardous.

9.6 Dado cutting

Dadoing is cutting a wide groove into a workpiece or cutting a rabbet along the edge of a workpiece. A dado insert (optional accessory, shown in Figure 9-12) is necessary for this type of operation.

CAUTION Do not use the standard table insert for dadoing operations.



Figure 9-12

The process of cutting 1/8" to 13/16" grooves in workpieces is accomplished by the use of a stacked dado blade set or an adjustable type blade mounted on the saw arbor. By using various combinations of stacked dado blades, or properly setting the dial on an adjustable blade, an accurate width dado can be made. This is very useful for shelving, making joints, tenoning, etc.

The guard, riving knife, and anti-kickback pawls supplied with the saw should be used for all cutting operations where they can be used.

When performing operations where the guard cannot be used, as in some dadoing operations, alternative safety precautions should be taken. These include push sticks, feather boards, filler pieces, fixtures, jigs and any other appropriate device that can be utilized to keep operators' hands away from the blade.

Upon completion of the operation requiring removal of the guard, the entire guard assembly must be placed back on the machine in its proper working order.

CAUTION Never use a dado head in a tilted position. Never operate the saw without the blade guard, riving knife and anti-kickback pawls for operations where they can be used.

10.0 Safety devices

10.1 Feather board

Feather boards, or “combs,” can be purchased at most tool stores, or made by the operator to suit particular applications. The feather board (Figure 9-13) should be made of straight grain hardwood approximately 1" thick and 4" to 8" depending on the size of the machine. The length is developed in accordance with intended use.

Feather boards can be fastened to the table or rip fence by use of C-clamps. Alternatively, drilled and tapped holes in the table top allow the use of wing nuts and washers as a method of clamping. If this method of fastening is used, provide slots in the feather board for adjustment. (The illustration shows a method of attaching and use of the feather board as a vertical comb. The horizontal application is essentially the same except that the attachment is to the table top.)

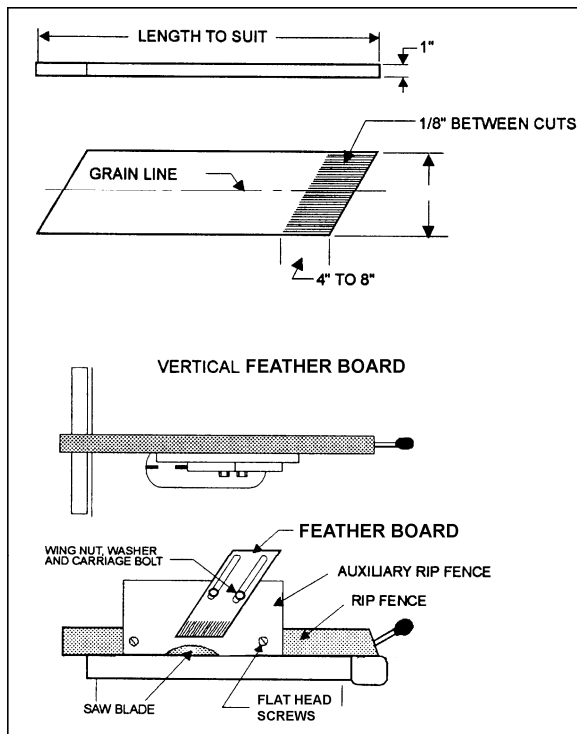


Figure 9-13: feather board

10.2 Push stick and push block

The use of a push block or push stick provides an added level of safety for the operator. A push stick is included with your table saw, but you may wish to make others personalized for different cutting procedures. The templates in Figures 9-15 and 9-15 offer construction details.

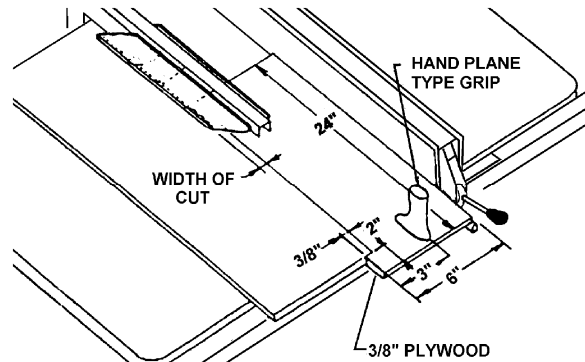


Figure 9-14: push block template

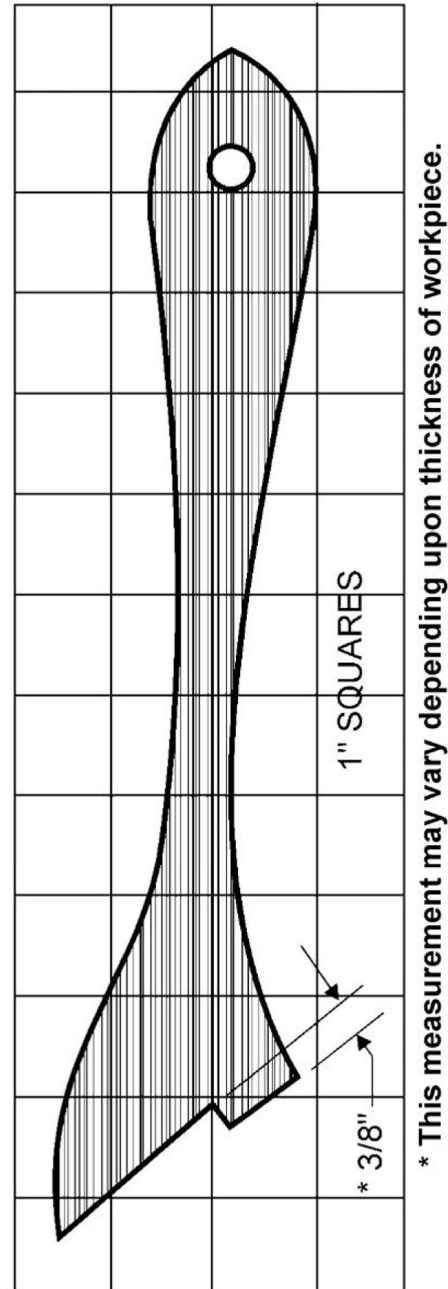


Figure 9-15: push stick template

11.0 User-maintenance

⚠WARNING Always disconnect power to machine before performing maintenance. Failure to comply may result in serious personal injury.

11.1 General inspection

Always be aware of the condition of your machine. Routinely check the condition of the following items and repair or replace as necessary:

- Mounting bolts
- Power switch
- Saw blade
- Blade guard assembly

11.2 Cleaning

Note: The following maintenance schedule assumes the saw is being used daily.

DAILY:

- Wipe down table surface and T-slots.
- Clean pitch and resin from saw blade.

WEEKLY:

- Table surface must be kept clean and free of rust for best results. To facilitate this, apply a coat of paste wax to the surface. Alternatively, commercial spray protectants are available from local hardware and tool stores. A good protectant should provide rust protection for the surface without staining workpieces.
- Clean the motor fan housing with compressed air.
- Wipe down fence rails with a dry silicon lubricant.

PERIODICALLY:

- Keep cabinet interior and trunnion area clean. Vacuum dust and chips.
- Check for excessive play in tilting and raising mechanism and in saw arbor, and adjust as required.
- Check belt for proper tension, and for wear, cracks, frays, etc.

11.3 Lubrication

- Grease the tilting worm gear, raising worm gear, and the trunnion areas with a good grade non-hardening grease.
- Check all adjustments after lubricating, such as handwheel action, blade stops, DRO setting, etc.

11.4 Arbor/Arbor Bearing Removal

The saw arbor is *press fitted* in the saw raising arm housing. If the arbor needs to be removed for bearing replacement, it should be done by a qualified service technician. Contact Powermatic customer service.

11.5 Additional servicing

Any additional servicing should be performed by authorized service personnel.

12.0 Optional accessories

These accessory items (purchased separately) can enhance the functionality of your PM2000B table saw. Contact your dealer to order, or call Powermatic at the phone number on the cover. Additional accessories may be available; see our website.



1791788B – Dado Insert



1791791C – High-Profile Thin-Kerf Riving Knife
0.079" (2.0mm) thick



1791786B – Zero-clearance insert



1791792B – Low-Profile Thin-Kerf Riving Knife
0.079" (2.0mm) thick

13.0 Troubleshooting PM2000B Cabinet Saw

13.1 Motor and electrical problems

Symptom	Probable Cause	Remedy
Saw will not start.	No incoming power.	Check plug connection.
	Safety key removed from switch.	Install safety key.
	Low voltage.	Check power line for proper voltage.
	Open circuit in motor or loose connection.	Inspect all connections on motor for loose or open connections.
	Power cord damaged.	Replace cord.
Saw will not start: fuse blows or breaker trips.	Short circuit in line cord or plug.	Inspect cord or plug for damaged insulation and shorted wires.
	Short circuit in motor or loose connections.	Inspect all connections on motor for loose or shorted terminals or worn insulation.
	Incorrect fuses or circuit breakers in power line.	Install correct fuses or circuit breakers.
Motor starts slowly or fails to reach full speed.	Low voltage.	Request voltage check from power company and correct low voltage condition.
	Power line overloaded.	Correct overload condition. Use dedicated circuit for table saw.
	Undersized wires in supply system.	Increase supply wire size.
	Centrifugal switch not engaging.	Replace centrifugal switch (qualified personnel only).
	Motor malfunction.	Have motor checked by a qualified inspector. Repair or replace.
Motor overheats.	Motor overloaded.	Reduce load on motor.
	Improper cooling of motor; lack of air circulation.	Clean sawdust from fan and duct areas of motor.
Motor stalls, resulting in blown fuses or tripped breaker.	Motor overloaded.	Reduce load on motor.
	Short circuit in motor or loose connections.	Inspect connections on motor for loose or shorted terminals or worn insulation.
	Low voltage.	Correct low voltage conditions.
	Incorrect fuses or circuit breakers in power line.	Install correct fuses or circuit breakers.

Table 4

13.2 Mechanical and operational problems

Motor stalls or workpiece binds or burns.	Excessive feed.	Reduce feed.
	Dull or incorrect blade.	Replace blade; use proper type of blade for cut needed.
	Miter slot misaligned.	Realign table to blade.
	Fence misaligned.	Realign fence (see Accu-Fence manual).
	Motor malfunction.	Have motor checked by a qualified inspector. Repair or replace.

Machine slows or stalls when operating.	Applying too much pressure to workpiece.	Feed workpiece more slowly.
	Poly-v drive belt is loose.	Tighten belt.
Loud, repetitive noise coming from machine.	Pulley setscrews or keys are missing or loose.	Inspect keys and setscrews. Replace or tighten if necessary.
	Motor fan is hitting the cover.	Tighten fan or shim cover.
	V-belt is defective.	Replace V-belt.
Excessive vibration.	Tilting or raising lock knobs not tightened.	Tighten lock knobs on handwheels
	Caster system still engaged.	Disengage casters before operating saw.
	Machine not resting evenly on floor.	Make sure floor is level; use shims beneath cabinet if needed.
	Blade out of balance.	Replace blade.
	Pulley loose.	Check motor pulley and spindle pulley. Tighten set screws if needed.
	Belt is worn, cracked or frayed.	Replace belt.
	Motor malfunction.	Have motor checked by a qualified inspector. Repair or replace.
Blade not square with miter slot, or fence not square to blade.	Blade is warped.	Replace saw blade.
	Table top not parallel to blade.	Adjust table parallel to blade.
	Fence not parallel to blade.	Adjust fence parallel to blade.
Blade does not reach 90 degrees.	90 degree stop is out of adjustment.	Adjust 90 degree stop.
Cuts out-of-square when crosscutting.	Miter gauge out of adjustment.	Re-set stops and pointer on gauge.
	Miter slot misaligned.	Realign table to blade.
Cuts not true at 90 or 45 degrees.	Stop screws not set properly.	Readjust screws.
Tilting or raising handwheel difficult to turn.	Lock knob not released.	Loosen lock knob.
	Worm and trunnion segment caked with sawdust and pitch.	Clean and re-grease worm and segment.
	Worm and trunnion segment out of alignment.	Realign worm with segment (qualified personnel).

Table 5

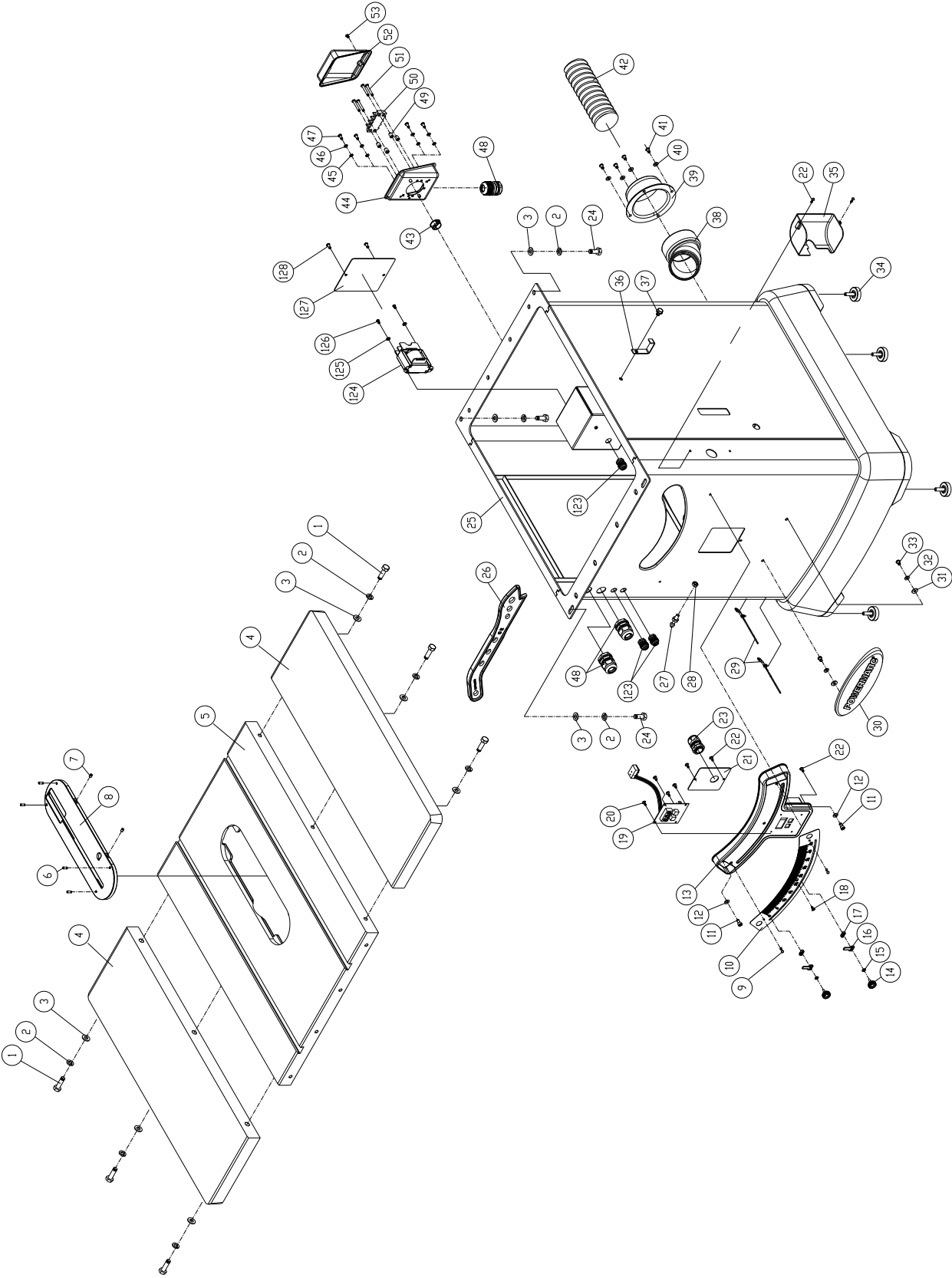
14.0 Replacement Parts

Replacement parts are listed on the following pages. To order parts or reach our service department, call 1-800-274-6848 Monday through Friday (see our website for business hours, www.powermatic.com). Having the Model Number and Serial Number of your machine available when you call will allow us to serve you quickly and accurately.

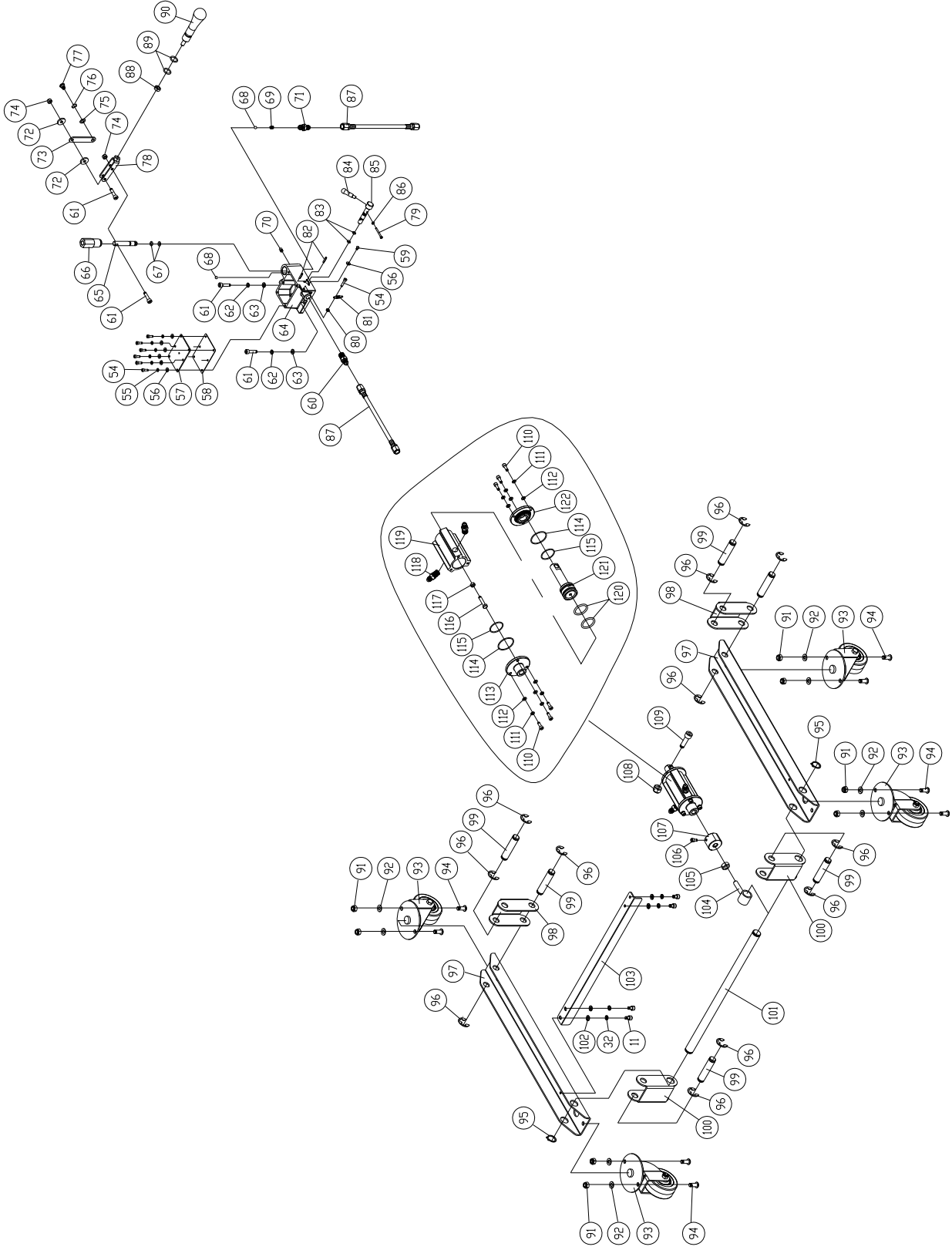
Non-proprietary parts, such as fasteners, can be found at local hardware stores, or may be ordered from Powermatic.

Some parts are shown for reference only, and may not be available individually.

14.1.1 PM2000B Table and Cabinet Assembly I – Exploded View



14.1.2 PM2000B Table and Cabinet Assembly II – Exploded View



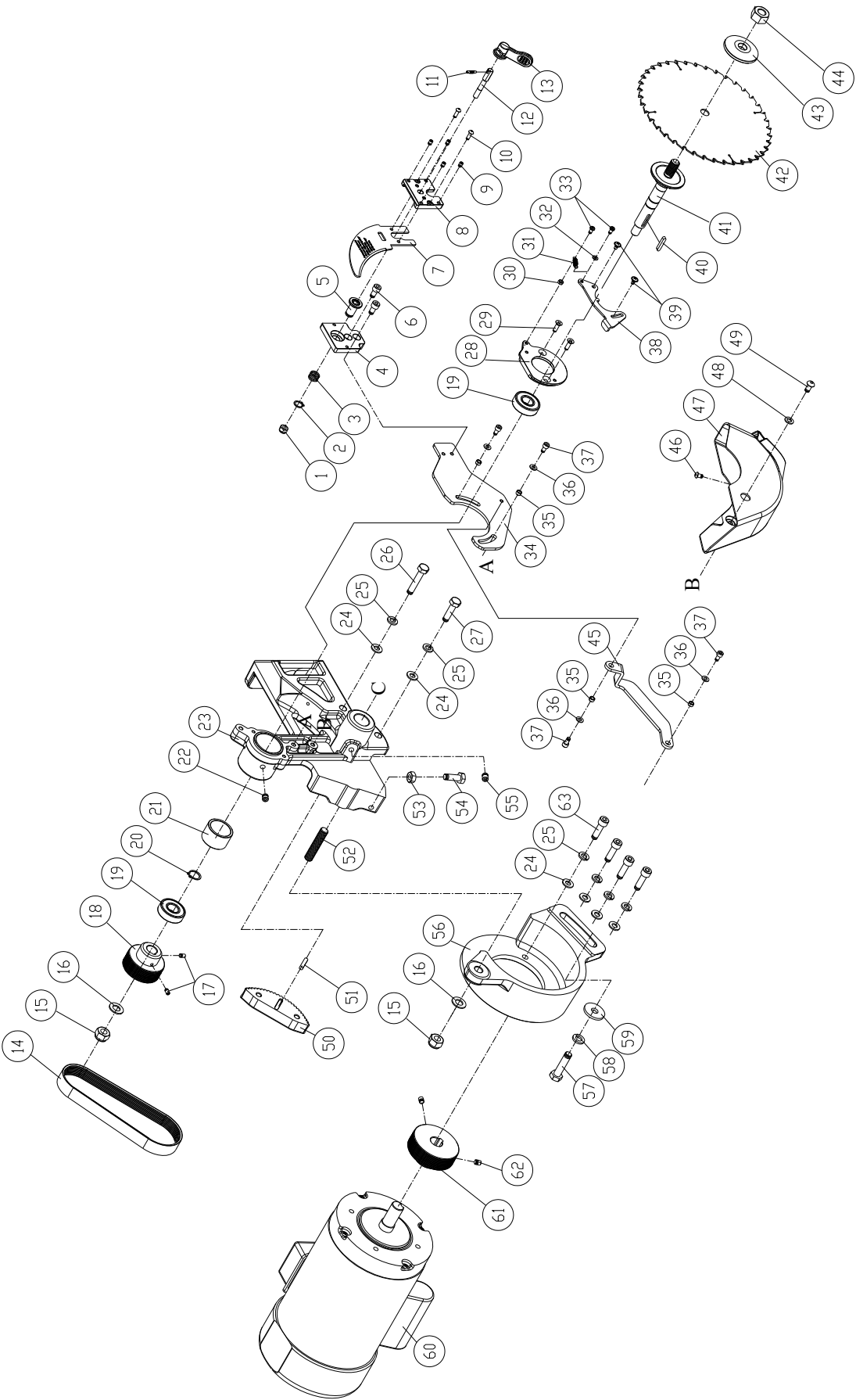
14.1.3 PM2000B Table and Cabinet Assembly – Parts List

Index No	Part No	Description	Size	Qty
1	TS-149105	Hex Cap Screw	M10-1.5 x 35L	6
2	TS-2361101	Lock Washer	M10	10
3	TS-1550071	Flat Washer	10 x 20 x 2.0T	10
4	PM2000B-104	Extension Table		2
5	PM2000B-105	Table		1
6	F010395L	Soc Set Screw CPP w/thrdlckr	M5-0.8 x 12L	4
7	PM2000B-107	Plunger		2
8	PM2000B-108	Table Insert		1
	PM2000B-108TIA	Table Insert Assembly (includes #6,7,8)		1
9	PM2000B-109	Phillips Socket HD Tapping Screw	M4-1.41P x 12L	2
10	PM2000B-110	Tilt Angle Scale		1
11	TS-1503031	Socket Head Cap Screw	M6-1.0 x 12L	6
12	TS-1550041	Flat Washer	6.2 x 13 x 1.5T mm	2
13	PM2000B-113	Scale Base w/Label		1
14	PM2000B-114	Angle Reference Knob		2
15	TS-1550031	Flat Washer	5.2 x 10 x 1.0T mm	2
16	PM2000B-116	Specific Angle Reference		2
17	PM2000B-117	Special Nut		2
18	PM2000B-118	Phillips Flat HD Tapping Screw	M4-1.41P x 10L	1
19	PM2000B-119	Sensor Assembly		1
20	PM2000B-120	Phillips Pan HD Tapping Screw	M3 x 1.06P x 10L	4
21	PM2000B-121	DRO Box Cover		1
22	PM2000B-122	Phillips Round HD Tapping Screw	M4 x 1.41P x 10L	5
23	PM2000B-123	Strain Relief	PGA16-14B	1
24	TS-1491031	Hex Cap Screw	M10-1.5 x 25L	4
25	PM2000B-125	Cabinet (for 3HP 1PH and 5HP 1PH)		1
	PM2000B-125A	Cabinet (for 5HP 3PH)		1
26	PM2000B-126	Push Stick		1
27	PM2000B-127	Peg		1
28	TS-2311081	Hex Nut	M8-1.25	1
29	PM2000B-129	Cable Tie		2
30	PM2000B-130	Powermatic Logo		1
31	TS-1550041	Flat Washer	6.7 x 16 x 2.0T mm	2
32	TS-0720071	Lock Washer	1/4"	6
33	PM2000B-133	Phillips Round HD Machine Screw	1/4"-20UNC x 3/8"L	2
34	PM2000B-134	Leveling Foot		4
35	PM2000B-135	Sensor Assembly Cover		1
36	PM2000B-136	Hanger		1
37	PM2000B-137	Hex Cap Screw w/Flat Washer	M8-1.25 x 12L	1
38	PM2000B-138	Dust Chute Adaptor		1
39	PM2000B-139	Dust Port		1
40	TS-1550041	Flat Washer	6.2 x 13 x 1.5T mm	4
41	TS-2246122	Socket Head Button Screw	M6-1.0 x 12L	4
42	PM2000B-142	Dust Hose		1
43	PM2000B-143	Grommet		1
44	PM2000B-144	Terminal Box		1
45	F002097	Lock Washer, Ext Tooth	M5	4
46	TS-1550031	Flat Washer	5.3 x 10 x 2.0T mm	4
47	TS-1533042	Phillips Pan HD Machine Screw	M5-0.8 x 12L	4
48	PM2000B-148	Strain Relief (only for 3HP, 1PH)	MG25AS-14B	1
	PM2000B-148A	Strain Relief (only for 5HP, 1PH & 5HP, 3PH)	MG25A-18B	1
49	PM2000B-149	Spacer		4
50	PM2000B-150	Terminal Plate		1
51	F001221	Phillips Pan HD Machine Screw	M5-0.8 x 35L	4
52	PM2000B-152	Terminal Box Cover		1
53	F000648	Phillips Pan HD Machine Screw	#10-24UNC x 1/4L	1
54	TS-1501041	Socket Head Cap Screw	M4-0.7 x 12L	7
55	TS-2361041	Lock Washer	M4	6
56	TS-1550021	Flat Washer	4.3 x 10 x 1.0T mm	7
57	PM2000B-157	Oil Tank Cover		1

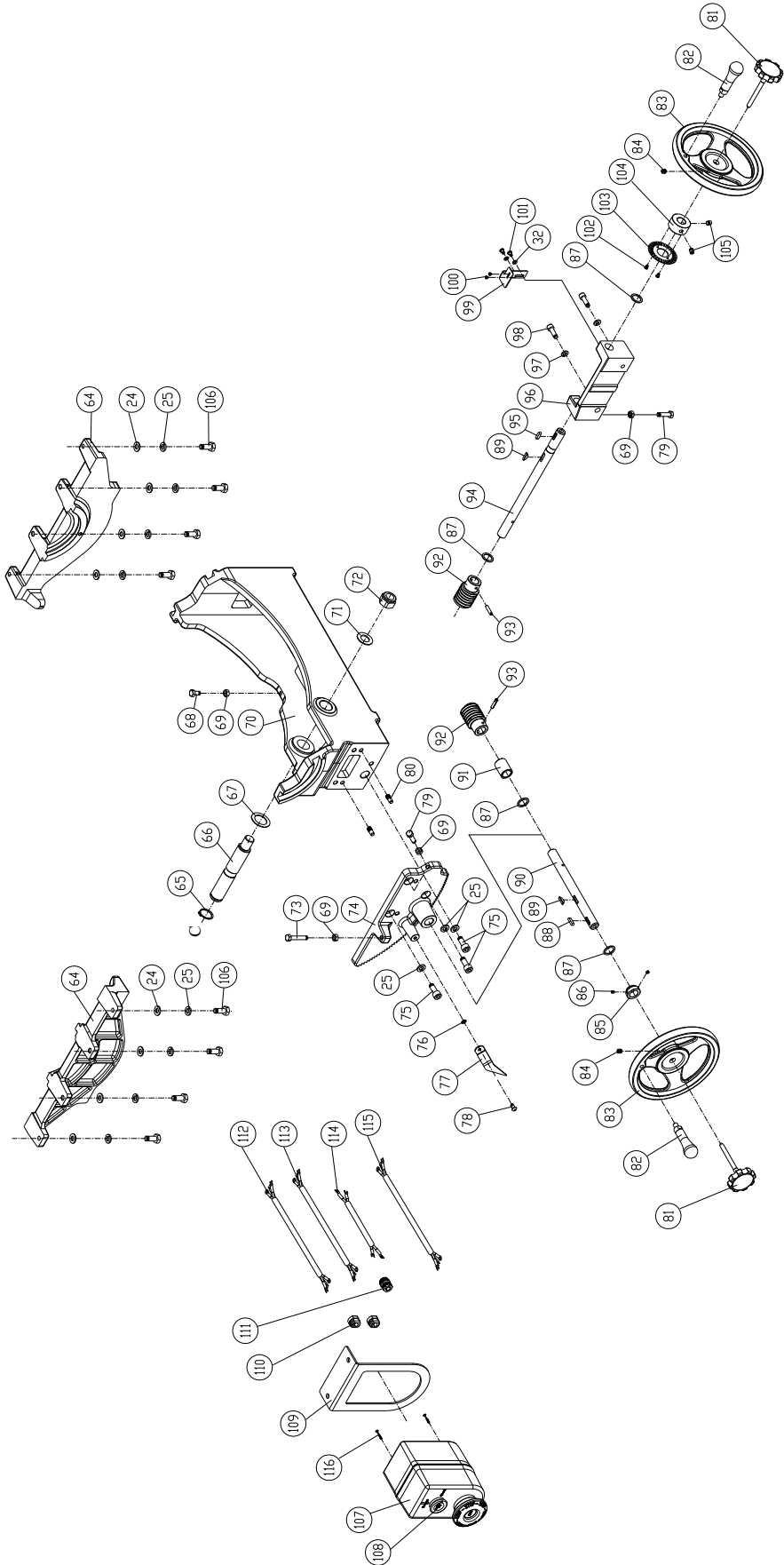
Index No	Part No	Description	Size	Qty
58	PM2000B-158	Gasket		1
59	F009923	Socket Head Button Screw	M4-0.7 x 6L	1
60	PM2000B-160	Oil Hose Fitting	PT1/4" x PH1/4"	1
61	TS-1503061	Socket Head Cap Screw	M6-1.0 x 25L	4
62	TS-1551041	Lock Washer	M6	2
63	TS-1550041	Flat Washer	6.4 x 11.5 x 1.6T mm	2
64	PM2000B-164	Oil Tank		1
65	PM2000B-165	Pump Shaft		1
66	PM2000B-166	Pump Shaft Sleeve		1
67	JMS10SCMS-43	O-Ring	P7	2
68	SB-6MM	Steel Ball	6 Dia.	2
69	PM2000B-169	Compression Spring		1
70	TS-2276081	Socket Set Screw	M6-1.0 x 8L	1
71	PM2000B-171	Oil Hose Fitting	TH1/4" x TH1/4"	1
72	TS-1550041	Flat Washer	6.2 x 20 x 3.0T mm	2
73	PM2000B-173	Linkage		1
74	TS-1541021	Nylon Lock Hex Nut	M6-1.0	2
75	TS-1541031	Flat Washer	8.5 x 16 x 1.0T mm	1
76	JMS10SCMS-37	Wave Washer	WW-8	1
77	PM2000B-177	Shoulder Screw		1
78	PM2000B-178	Linkage		1
79	F005344	Socket Head Cap Screw	M3-0.5 x 20L	1
80	TS-1540021	Hex Nut	M4-0.7	1
81	PM2000B-181	Tension Spring		1
82	F012097	Roll Pin	3 x 16mm	2
83	CK350-722	O-Ring	P5	2
84	PM2000B-184	Knob		1
85	PM2000B-185	Oil Release Shaft		1
86	TS-1540011	Hex Nut	M3-0.5	1
87	PM2000B-187	Oil Hose Assembly		2
88	TS-1540061	Hex Nut	M8-1.25	1
89	5784696	O-Ring	P15	2
90	PM2000B-190	Pump Handle		1
91	TS-1541031	Nylon Lock Hex Nut	M8-1.25	8
92	TS-1550061	Flat Washer	8 x 16 x 1.6T mm	8
93	PM2000B-193	Caster		4
94	TS-2248202	Socket Head Button Screw	M8-1.25 x 20L	8
95	F006047	C-Retaining Ring, Ext	STW-20	2
96	F006088	E-Retaining Ring	ETW-15	12
97	PM2000B-197	Linkage		2
98	PM2000B-198	Drive Caster Bracket		2
99	PM2000B-199	Pivot		6
100	PM2000B-1100	Driven Caster Bracket		2
101	PM2000B-1101	Connection Rod		1
102	TS-1550041	Flat Washer	6.3 x 13 x 1.0T mm	4
103	PM2000B-1103	Brace		1
104	PM2000B-1104	Connecting Collar		1
105	TS-2311121	Hex Nut	M12-1.75	1
106	F005363L	Socket Hd Cap Screw w/thrdlckr	M5-0.8 x 10L	1
107	PM2000B-1107	Special Nut		1
108	TS-2342101	Nylon Lock Hex Nut	M10-1.5	1
109	TS-1505061	Socket Head Cap Screw	M10-1.5 x 40L	1
	PM2000B-HCA	Hydraulic Cylinder Assembly (includes #110 thru #122)		1
110	HVBS710SG-314	Socket Head Cap Screw	M5-0.8 x 15L	6
111	TS-1551031	Lock Washer	M5	6
112	TS-1550031	Flat Washer	5.2 x 10 x 1.0T mm	6
113	PM2000B-1113	Non-drive End Bell		1
114	PM2000B-1114	O-Ring	AS029	2
115	PM2000B-1115	O-Ring	AS026	2
116	TS-1482061	Hex Cap Screw	M6-1.0 x 30L	1
117	TS-2311061	Hex Nut	M6-1.0	1
118	PM2000B-1118	Oil Hose Fitting	PT1/4" x PH1/4"	2

Index No	Part No	Description	Size	Qty
119	PM2000B-1119	Hydraulic Cylinder		1
120	PM2000B-1120	O-Ring	P29	2
121	PM2000B-1121	Piston		1
122	PM2000B-1122	Drive End Bell		1
123	PM2000B-1123	Strain Relief	MGB16-10B	3
124	PM2000B-1124	Transformer Assembly w/ Fuse		1
125	TS-1550021	Flat Washer	4.3 x 10 x 1.0T mm	2
126	TS-2284082	Phillips Pan HD Machine Screw	M4-0.7 x 8L	2
127	PM2000B-1127	Transformer Box Cover		1
128	F009884	Socket Head Button Screw	M5-0.8 x 8L	2
129	PM2000B-1129	Fuse	2A x 250V	2
	LM000304	Warning Label (not shown)		1
	LM000305	ID Label, PM2000B, 3HP 1PH (not shown)		1
	LM000312	ID Label, PM2000B, 5HP 1PH (not shown)		1
	LM000313	ID Label, PM2000B, 5HP 3PH (not shown)		1
	CL-HV	Caution Label - High Voltage (not shown)		2
	PM2000B-1133	Black Stripe (not shown)	1"W	per ft.
	LM000307	Label - Caster Lift (not shown)		1
	LM000308	Label - Caster Lower (not shown)		1

14.2.1 PM2000B Motor and Trunnion Assembly I – Exploded View



14.2.2 PM2000B Motor and Trunnion Assembly II – Exploded View



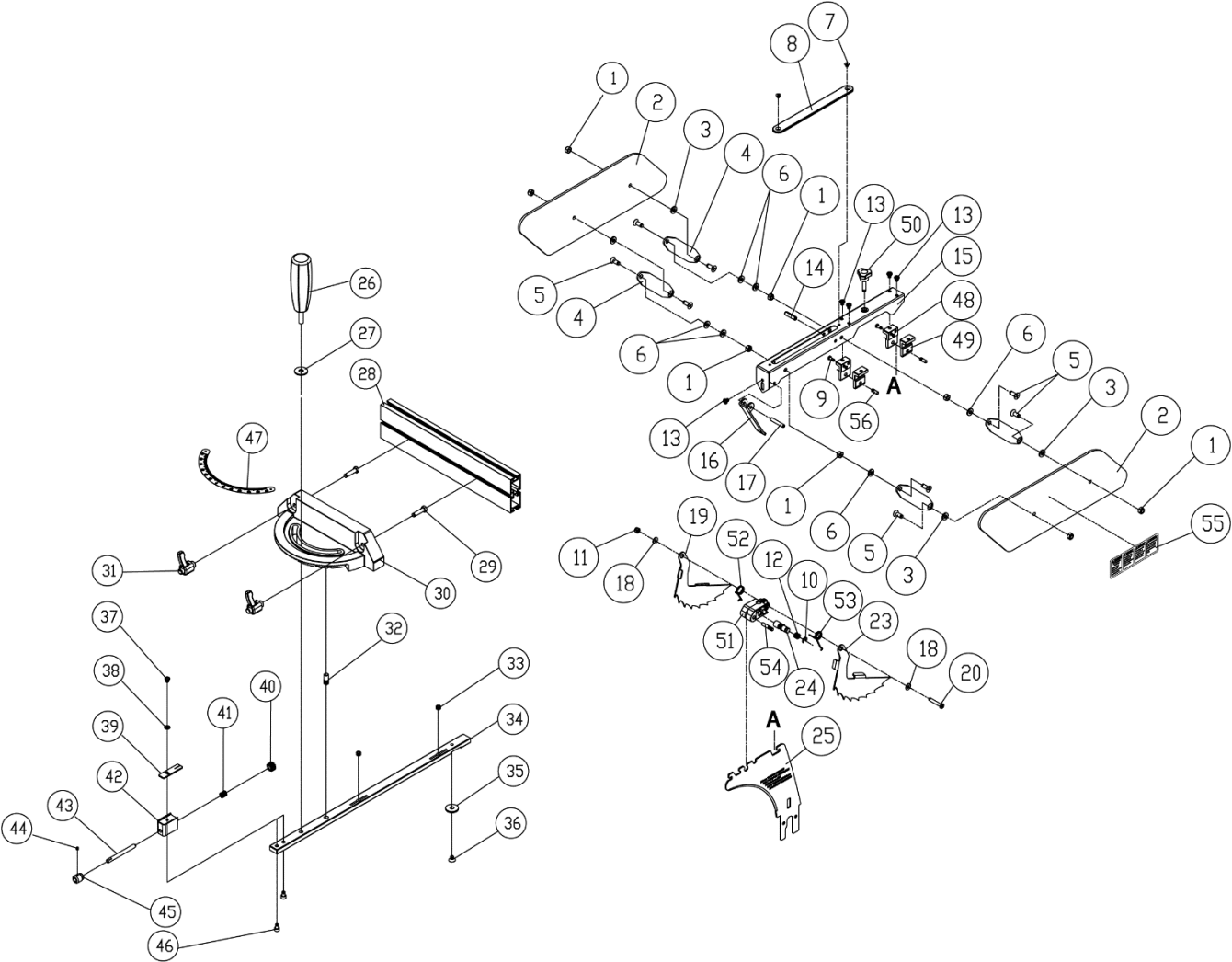
14.2.3 PM2000B Motor and Trunnion Assembly – Parts List

Index No	Part No	Description	Size	Qty
1	TS-1541031	Nylon Lock Hex Nut	M8-1.25	1
2	F006042	C-Retaining Ring, Ext	STW-14	1
3	PM2000B-203	Compression Spring		1
4	PM2000B-204	Riving Knife Fixed Base		1
5	PM2000B-205	Clamping Block		1
6	TS-1504031	Socket Head Cap Screw	M8-1.25 x 16L	2
7	PM2000B-207	Low Profile Riving Knife	0.1"(2.5mm) thk	1
8	PM2000B-208	Riving Knife Clamp Plate		1
9	TS-2276081	Socket Set Screw	M6-1.0 x 8L	4
10	TS-2245162	Socket Head Button Screw	M5-0.8 x 16L	2
11	PM2000B-211	Solid Pin		1
12	PM2000B-212	Shaft		1
13	PM2000B-213	Lever		1
14	VB-220J10	Poly-V Belt	220J-10	1
15	TS-2342141	Nylon Lock Hex Nut	M14-2.0	2
16	TS-155009	Flat Washer	14.2 x 26 x 2T mm	2
17	F010401L	Soc Set Scrw CPP w/thrdlckr	M6-1.0 x 8L	2
18	PM2000B-218	Arbor Pulley		1
19	BB-6204VV	Ball Bearing	6204VV	2
20	F006047	C-Retaining Ring, Ext	STW-20	1
21	PM2000B-221	Bushing		1
22	F010414L	Socket Set Screw CPP w/thrdlckr	M10-1.5 x 10L	1
23	PM2000B-223	Bearing Arm		1
24	TS-1550071	Flat Washer	10 x 20 x 2.0T mm	14
25	TS-2361101	Lock Washer	M10	17
26	JTS315PST-08	Hex Cap Screw	M10-1.5 x 55L	1
27	TS-1491061	Hex Cap Screw	M10-1.5 x 40L	1
28	PM2000B-228	Fixed Plate		1
29	TS-2286201	Phillips Flat HD Machine Screw	M6-1.0 x 20L	2
30	TS-1540031	Hex Nut	M5-0.8	1
31	PM2000B-231	Tension Spring		1
32	TS-1550031	Flat Washer	5.3 x 10 x 2.0T mm	3
33	F001208L	Pan HD Mach Scrw w/thrdlckr	M5-0.8 x 8L	2
34	PM2000B-234	Riving Knife Extension Plate		1
35	PM2000B-235	Bushing		4
36	TS-1550041	Flat Washer	6.3 x 13 x 1.0T mm	4
37	F005267L	Soc Hd Cap Screw w/thrdlckr	M6-1.0 x 12L	4
38	PM2000B-238	Spindle Lock		1
39	PM2000B-239	Shoulder Screw		2
40	6291479	Flat Key, Dbl Rd Hd	5 x 5 x 30mm	1
41	PM2000B-241	Arbor		1
42	PM2000B-242	Saw Blade	10" 40T 5/8A ATB	1
43	PM2000B-243	Flange		1
44	PM2000B-244	Nut		1
45	PM2000B-245	Link		1
46	F009893L	Soc Hd Button Screw w/thrdlckr	M6-1.0 x 10L	1
47	PM2000B-247	Dust Chute		1
48	TS-1550061	Flat Washer	8.5 x 16 x 1.5T mm	1
49	TS-2248162	Socket Head Button Screw	M8-1.25 x 16L	1
50	PM2000B-250	Elevation Gear Block		1
51	DT45-110	Flat Key, Dbl Rd Hd	6 x 6 x 30 mm	1
52	PM2000B-252	Socket Set Screw	M14-2.0 x 70L	1
53	TS-2311101	Hex Nut	M10-1.5	1
54	TS-1491041	Hex Cap Screw	M10-1.5 x 30L	1
55	F010418L	Soc Set Screw CPP w/thrdlckr	M10-1.5 x 25L	1
56	PM2000B-256	Motor Rotation Bracket		1
57	TS-1492051	Hex Cap Screw	M12-1.75P x 50L	1
58	TS-2361121	Lock Washer	M12	1
59	PM2000B-259	Flat Washer	13 x 28 x 3.0T mm	1

Index No	Part No	Description	Size	Qty
60	PM2000B-260	Motor	3HP 230V 60Hz 1PH	1
	PM2000B-260SC	Starting Capacitor	400MFD 125VAC	1
	PM2000B-260RC	Running Capacitor	40µF 350VAC	1
	PM2000B-260CC	Capacitor Cover		2
	PM2000B-260F	Fan		1
	PM2000B-260FC	Fan Cover		1
	PM2000B-260CS	Centrifugal Switch		1
	LM000316	Motor Label, PM2000B (3HP 1PH)		1
	PM2000B-260A	Motor	5HP 230V 60Hz 1PH	1
	PM2000B-260ASC	Starting Capacitor	400MFD 250VAC	1
	PM2000B-260ARC	Running Capacitor	30µF 500VAC	1
	PM2000B-260CC	Capacitor Cover		1
	PM2000B-260ARCC	Running Capacitor Cover		1
	PM2000B-260AF	Fan		1
	PM2000B-260AFC	Fan Cover		1
	PM2000B-260CS	Centrifugal Switch		1
	LM000317	Motor Label, PM2000B (5HP 1PH)		1
	PM2000B-260B	Motor	5HP 230/460V 60Hz 3PH	1
	PM2000B-260F	Fan		1
	PM2000B-260FC	Fan Cover		1
	LM000318	Motor Label, PM2000B (5HP 3PH)		1
61	PM2000B-261	Motor Pulley		1
62	PM2000B-262	Soc Set Screw CPP w/thrdlckr	M8-1.25 x 20L	2
63	TS-1505051	Socket Head Cap Screw	M10-1.5 x 35L	4
64	PM2000B-264	Trunnion		2
65	F006051	C-Retaining Ring, Ext	STW-28	1
66	PM2000B-266	Shaft		1
67	PM2000B-267	Nylon Washer		1
68	TS-1490021	Hex Cap Screw	M8-1.25 x 16L	1
69	TS-2311081	Hex Nut	M8-1.25	4
70	PM2000B-270	Center Trunnion		1
71	PM2000B-271	Flat Washer	21 x 38 x 3T mm	1
72	PM2000B-272	Nylon Lock Hex Nut	M20-1.5P	1
73	TS-1490081	Hex Cap Screw	M8-1.25 x 45L	1
74	PM2000B-274	Tilt Gear Block		1
75	TS-1505031	Socket Head Cap Screw	M10-1.5 x 25L	3
76	JWBS100S-107	Lock Washer Ext Tooth	M6	1
77	PM2000B-277	Angle Pointer		1
78	TS-2246122	Socket Head Button Screw	M6-1.0 x 12L	1
79	TS-1490051	Hex Cap Screw	M8-1.25 x 30L	2
80	PM2000B-280	Roll Pin		2
81	PM2000B-281	Locking Knob		2
82	PM2000B-282	Handle		2
83	PM2000B-283	Handwheel		2
84	F010052L	Soc Set Screw CPP w/thrdlckr	5/16"-18UNC x 5/16"	2
85	PM2000B-285	Collar		1
86	F010449L	Soct Set Screw CPP w/thrdlckr	M5-0.8 x 5L	2
87	PM2000B-287	Nylon Washer	19.1 x 25.4 x 1.6T mm	4
88	5509207	Flat Key, Dbl Rd Hd	5 x 5 x 20mm	1
89	PM2000B-289	Woodruff Key		2
90	PM2000B-290	Elevation Handwheel Shaft		1
91	PM2000B-291	Bushing		1
92	PM2000B-292	Worm Shaft		2
93	F012076	Roll Pin	5 x 30mm	2
94	PM2000B-294	Tilt Handwheel Shaft		1
95	5783961	Flat Key, Dbl Rd Hd	5 x 5 x 18mm	1
96	PM2000B-296	Tilt Worm Shaft Base		1
97	TS-2361081	Lock Washer	M8	2
98	TS-1504061	Socket Head Cap Screw	M8-1.25 x 30L	2
99	PM2000B-299	Bracket		1
100	PM2000B-2100	Phillips Pan HD Tapping Screw	M3-1.06 x 6L	2
101	F001208	Phillips Pan HD Machine Screw	M5-0.8 x 8L	2

Index No	Part No	Description	Size	Qty
102	TS-2171012	Phillips Pan HD Machine Screw	M4-0.7 x 6L	2
103	PM2000B-2103	Induction Disc		1
104	PM2000B-2104	Collar		1
105	F010408L	Soc Set Screw CPP w/thrdlckr	M8-1.25 x 10L	2
106	TS-1491031	Hex Cap Screw	M10-1.5 x 25L	8
107	PM2000B-2107	Magnetic Switch Assembly	3HP 230V 60Hz 1PH	1
	PM2000B-2107OR	Overload Relay	NTH14	1
	PM2000B-2107A	Magnetic Switch Assembly	5HP 230V 60Hz 1PH	1
	PM2000B-2107AOR	Overload Relay	NTH21	1
	PM2000B-2107B	Magnetic Switch Assembly	5HP 230/460V 60Hz 3PH	1
	PM2000B-2107BOR	Overload Relay (230V)	NTH15	1
	PM2000B-2107BORA	Overload Relay (460V)	NTH8	1
108	PM2000B-2108	Safety Key		1
109	PM2000B-2109	Switch Plate		1
110	PM2000B-2110	Strain Relief (3HP, 1PH)	SR-7R3	2
	PM2000B-2110A	Strain Relief (5HP, 1PH & 5HP, 3PH)	SR-8R3	2
111	PM2000B-2111	Strain Relief (3HP, 1PH & 5HP, 1PH)	MGB16-10B	1
	PM2000B-2111A	Strain Relief (5HP, 3PH)	MGB16-10B	2
112	PM2000B-2112	Motor Cable	SJT 12AWG x 3C x 1900mm	1
	PM2000B-2112A	Motor Cable	SJT 10AWG x 3C x 1900mm	1
	PM2000B-2112B	Motor Cable	ST 12AWG x 4C x 1900mm	1
113	PM2000B-2113	Power Cable	SJT 12AWG x 3C x 2000mm	1
	PM2000B-2113A	Power Cable	SJT 10AWG x 3C x 2000mm	1
	PM2000B-2113B	Power Cable	ST 12AWG x 4C x 2000mm	1
114	PM2000B-2114	DRO Cable	SJT18AWG x 2C x 1400mm	1
115	PM2000B-2115	Transformer Cable	SJT 18AWG x 3C x 2100mm	1
116	PM2000B-2116	Phillips Pan HD Tapping Screw	M5-2.12 x 25	2
117	PM2000B-2117	Arbor Wrench (not shown)		1

14.3.1 PM2000B Blade Guard and Miter Gauge Assemblies – Exploded View

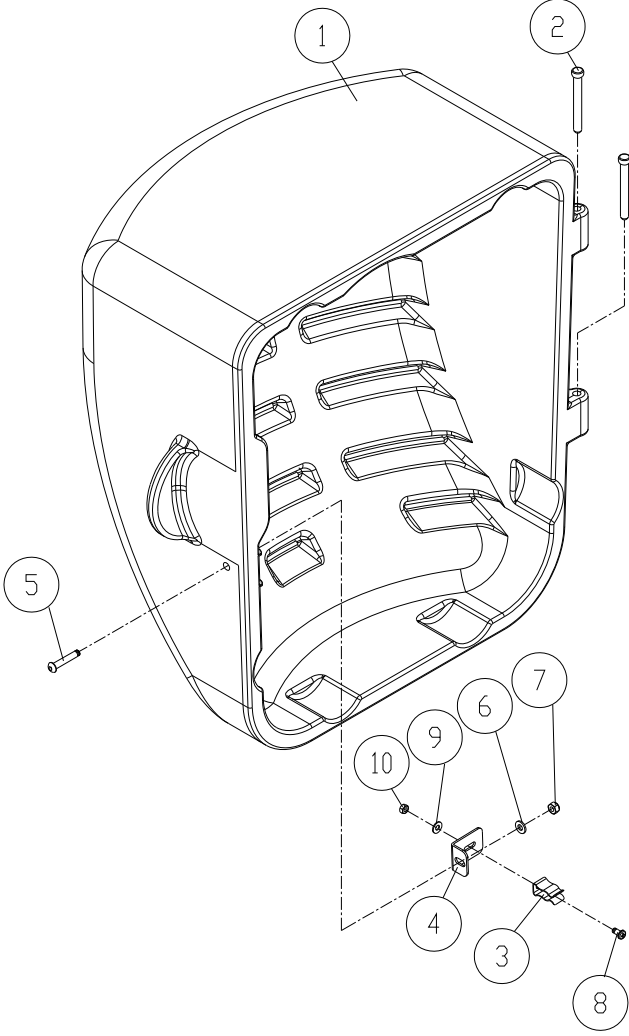


14.3.2 PM2000B Blade Guard and Miter Gauge Assemblies – Parts List

Index No	Part No	Description	Size	Qty
	PM2000B-BGAB	Blade Guard Assembly (includes #1-9, 13-17, 48-50, 55, 56) *		1
1	TS-1541021	Nylon Lock Hex Nut	M6-1.0	8
2	PM2000B-302B	Blade Guard Side Shield		2
3	PM2000B-303	Flat Washer Thin	6.7 x 16 x 1.0T	4
4	PM2000B-304	Linkage		4
5	TS-1534051	Phillips Flat HD Machine Screw	M6-1.0 x 16L	8
6	TS-1550041	Flat Washer	6.7 x 16 x 2.0T	6
7	TS-2284081	Phillips Flat HD Machine Screw	M4-0.7 x 8L	2
8	PM2000B-308	Top Sight Shield		1
9	TS-1532032	Phillips Pan HD Machine Screw	M4-0.7 x 10L	2
10	F006090	E-Retaining Ring	ETW-7	2
11	TS-1541011	Nylon Lock Hex Nut	M5-0.8	4
12	PM2000B-312B	Compression Spring		1
13	6286494	Phillips Pan HD Machine Screw	M5-0.8 x 6L	5
14	1014960	Roll Pin	5 x 40mm	1
15	PM2000B-315B	Blade Guard Body		1
16	PM2000B-316B	Front Shield		1
17	3P12314	Roll Pin	5 x 32mm	1
	PM2000B-APAB	Anti-Kickback Pawl Assembly (includes #10-12,18-20, 23-24, 51-54)		1
18	TS-1550031	Flat Washer	5.3 x 12 x 1.0T	2
19	PM2000B-319B	Left Anti-Kickback Pawl		1
20	PM2000B-320	Phillips Pan HD Machine Screw	M5-0.8 x 30L	1
23	PM2000B-323B	Right Anti-Kickback Pawl		1
24	PM2000B-324B	Anti-Kickback Pawl Lock Pin		1
25	PM2000B-325B	Riving Knife	2.3mm thk	1
	PM2000B-MGA	Miter Gauge Assembly (includes #26 thru 47)		1
26	PM2000B-326	Knob		1
27	TS-1550061	Flat Washer	8.5 x 23 x 2.0T	1
28	PM2000B-328	Fence		1
29	TS-0050051	Hex Cap Screw	1/4"-20UNC x 1"	2
30	PM2000B-330	Miter Gauge Body		1
31	PM2000B-331	Universal Handle		2
32	PM2000B-332	Pin		1
33	F010450	Socket Set Screw CPP	M8-1.25 x 5L	2
34	PM2000B-334	Miter Bar		1
35	PM2000B-335	Guide Washer		1
36	F001220	Phillips Flat HD Machine Screw	M6-1.0 x 8L	1
37	TS-0810012	Round HD Machine Screw	#10-24 x 1/4"L	1
38	TS-1550031	Flat Washer	5.2 x 10 x 1.0T	1
39	PM2000B-339	Pointer		1
40	PM2000B-340	Pinion		1
41	PM2000B-341	Compression Spring		1
42	PM2000B-342	Pinion Shaft Hub		1
43	PM2000B-343	Shaft		1
44	TS-1521011	Socket Set Screw	M4-0.7P x 4L	1
45	PM2000B-345	Knob		1
46	TS-1502011	Socket Head Cap Screw	M5-0.8P x 8L	2
47	PM2000B-347	Scale		1
48	PM2000B-348	Left Lock Pin Holder		2
49	PM2000B-349	Right Lock Pin Holder		2
50	PM2000B-350	Locking Knob		1
51	PM2000B-351	Pawl Holder		1
52	PM2000B-352	Right Torsion Spring		1
53	PM2000B-353	Left Torsion Spring		1
54	PM2000B-354	Solid Pin		1
55	LM000309B	Warning Label - Blade Guard		1
56	PM2000B-356B	Riving Knife Lock Pin		1

* for models with serial no. 1911PM2000B1308 and higher.

14.4.1 PM2000B Motor Cover Assembly – Exploded View

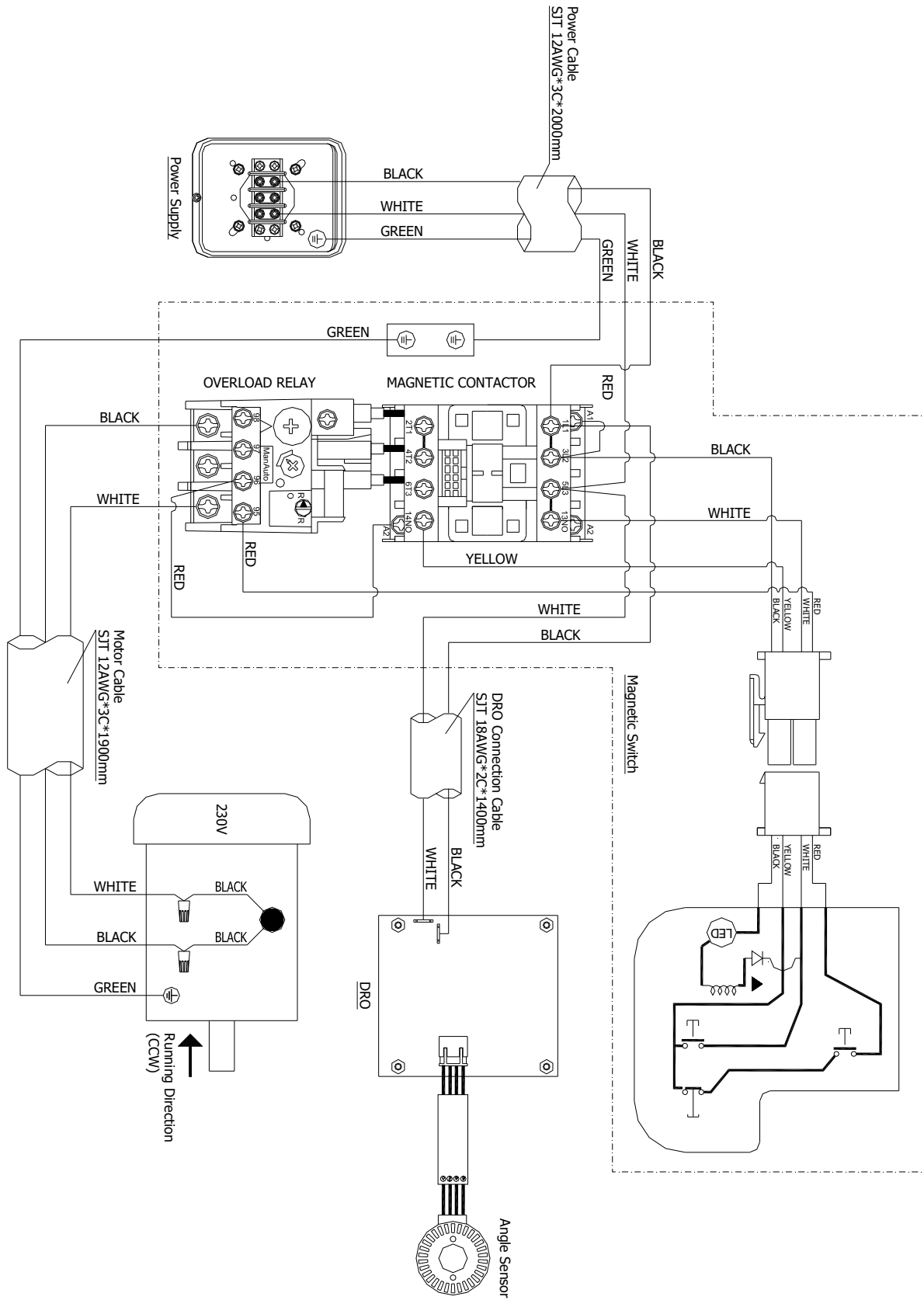


14.4.2 PM2000B Motor Cover Assembly – Parts List

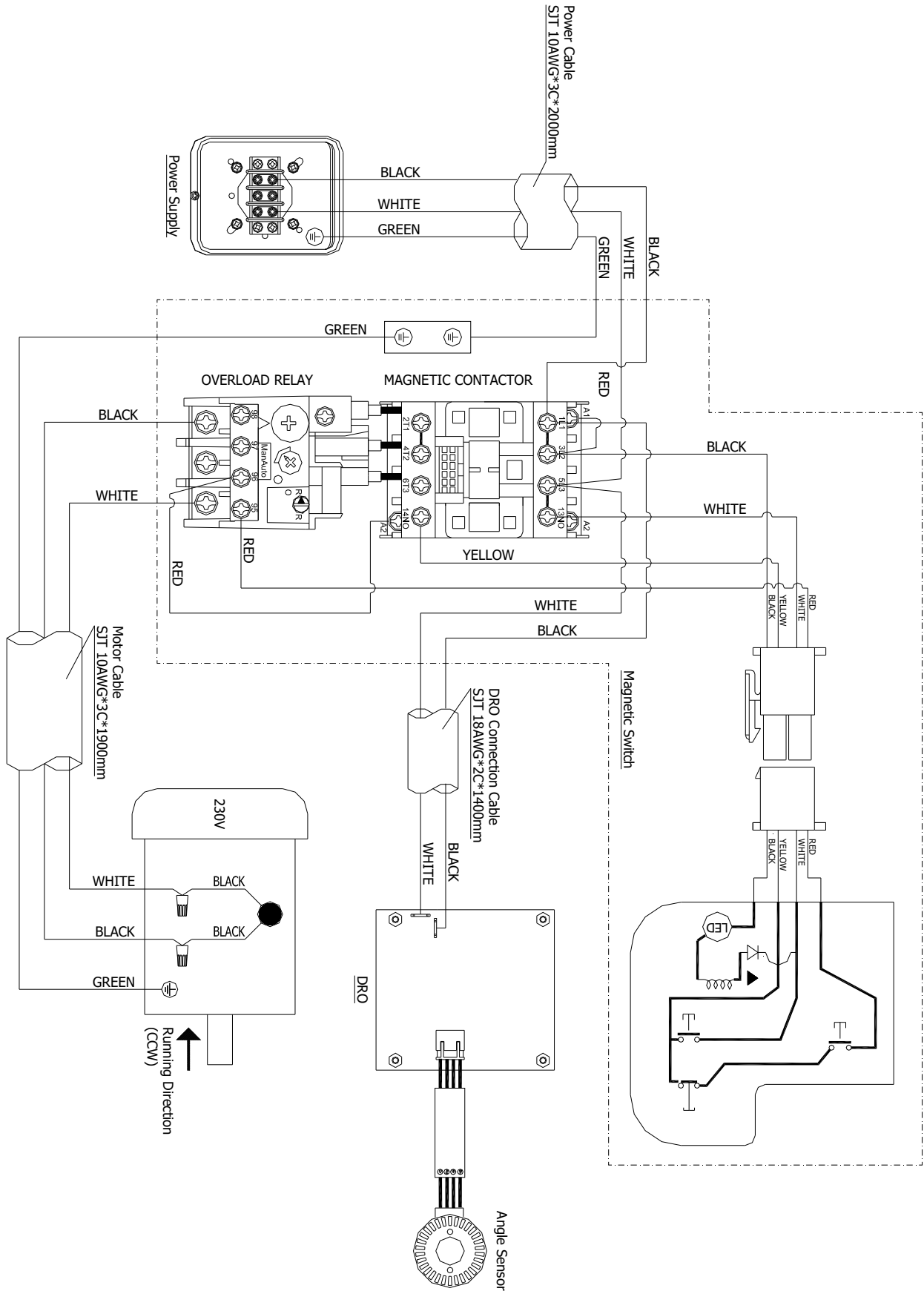
Index No	Part No	Description	Size	Qty
	6827044B	Motor Cover Assembly (includes #1 thru 10)		1
1	PM2000B-401	Motor Cover		1
2	PM2000B-402	Hinge Pin		2
3	PM2000B-403	Spring Clamp		1
4	PM2000B-404	Clamp Holder		1
5	TS-2246302	Socket Head Button Screw	M6-1.0 x 30L	1
6	TS-1550041	Flat Washer	6.2 x 13 x 1.5T mm	1
7	TS-1541021	Nylon Lock Hex Nut	M6-1.0	1
8	TS-1533032	Phillips Pan HD Machine Screw	M5-0.8 x 10L	1
9	TS-1550031	Flat Washer	5.3 x 12 x 1.0T mm	1
10	TS-1540031	Hex Nut	M5-0.8	1

15.0 Electrical Connections

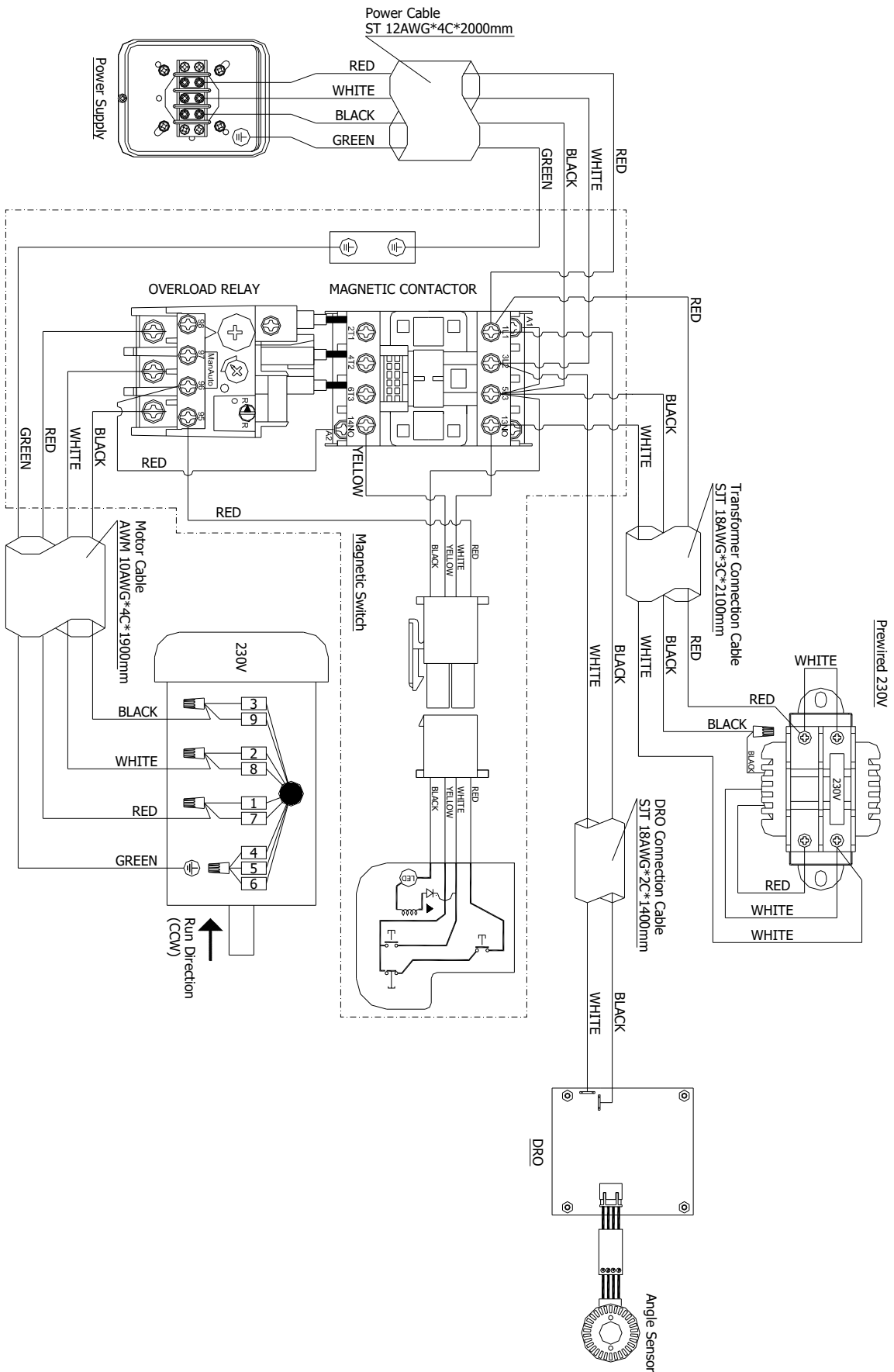
15.1 PM2000B Wiring diagram – 3HP, 230V, 1PH



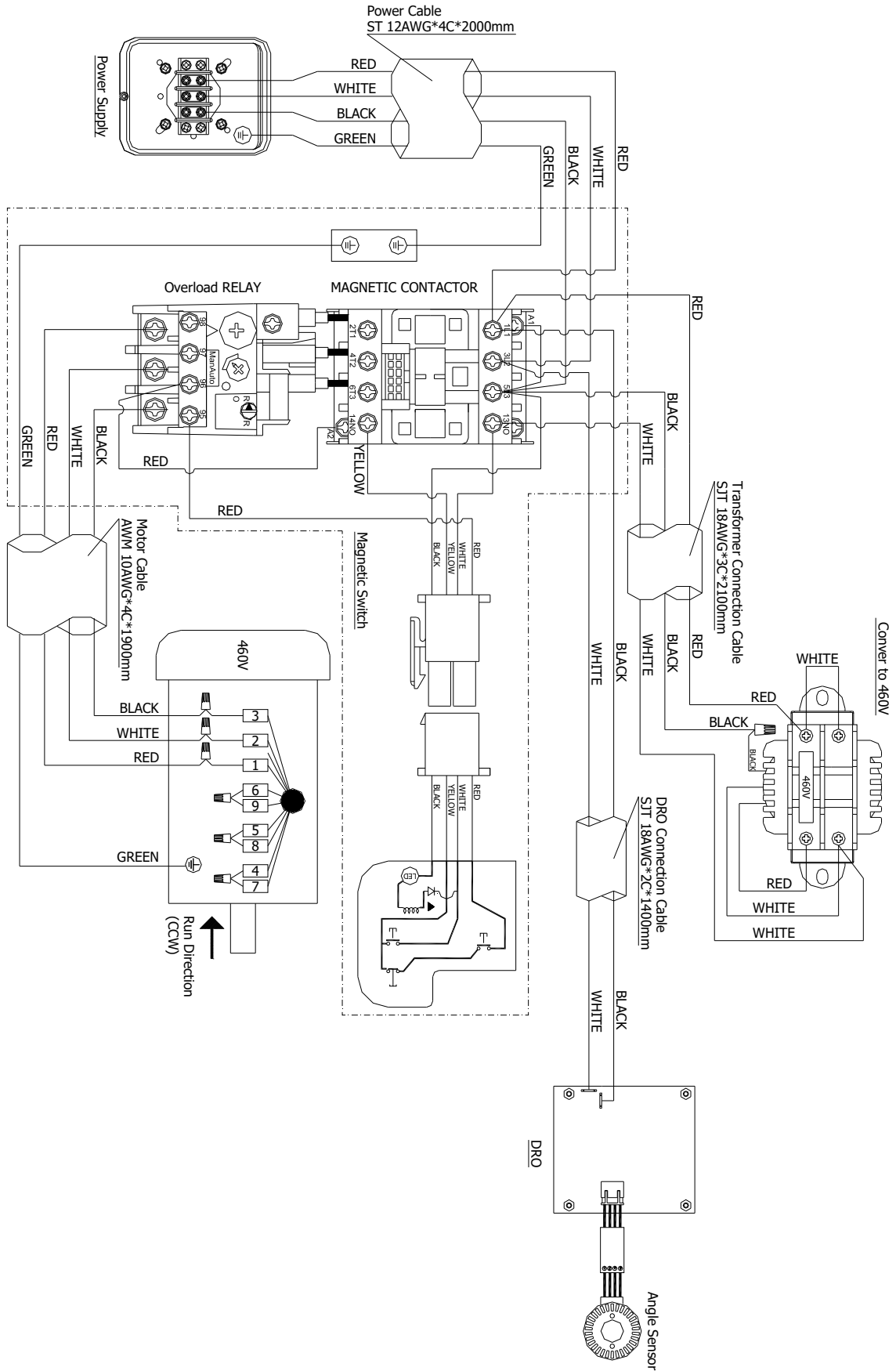
15.2 PM2000B Wiring diagram – 5HP, 230V, 1PH



15.3 PM2000B Wiring diagram – 5HP, 230V, 3PH



15.4 PM2000B Wiring diagram – 5HP, 460V, 3PH



16.0 Warranty and Service

Powermatic® warrants every product it sells against manufacturers' defects. If one of our tools needs service or repair, please contact Technical Service by calling 1-800-274-6846, 8AM to 5PM CST, Monday through Friday.

Warranty Period

The general warranty lasts for the time period specified in the literature included with your product or on the official Powermatic branded website.

- Powermatic products carry a limited warranty which varies in duration based upon the product. (See chart below)
- Accessories carry a limited warranty of one year from the date of receipt.
- Consumable items are defined as expendable parts or accessories expected to become inoperable within a reasonable amount of use and are covered by a 90 day limited warranty against manufacturer's defects.

Who is Covered

This warranty covers only the initial purchaser of the product from the date of delivery.

What is Covered

This warranty covers any defects in workmanship or materials subject to the limitations stated below. This warranty does not cover failures due directly or indirectly to misuse, abuse, negligence or accidents, normal wear-and-tear, improper repair, alterations or lack of maintenance. Powermatic woodworking machinery is designed to be used with Wood. Use of these machines in the processing of metal, plastics, or other materials outside recommended guidelines may void the warranty. The exceptions are acrylics and other natural items that are made specifically for wood turning.

Warranty Limitations

Woodworking products with a Five Year Warranty that are used for commercial or industrial purposes default to a Two Year Warranty. Please contact Technical Service at 1-800-274-6846 for further clarification.

How to Get Technical Support

Please contact Technical Service by calling 1-800-274-6846. **Please note that you will be asked to provide proof of initial purchase when calling.** If a product requires further inspection, the Technical Service representative will explain and assist with any additional action needed. Powermatic has Authorized Service Centers located throughout the United States. For the name of an Authorized Service Center in your area call 1-800-274-6846 or use the Service Center Locator on the Powermatic website.

More Information

Powermatic is constantly adding new products. For complete, up-to-date product information, check with your local distributor or visit the Powermatic website.

How State Law Applies

This warranty gives you specific legal rights, subject to applicable state law.

Limitations on This Warranty

POWERMATIC LIMITS ALL IMPLIED WARRANTIES TO THE PERIOD OF THE LIMITED WARRANTY FOR EACH PRODUCT. EXCEPT AS STATED HEREIN, ANY IMPLIED WARRANTIES OF MERCHANTABILITY AND FITNESS FOR A PARTICULAR PURPOSE ARE EXCLUDED. SOME STATES DO NOT ALLOW LIMITATIONS ON HOW LONG AN IMPLIED WARRANTY LASTS, SO THE ABOVE LIMITATION MAY NOT APPLY TO YOU.

POWERMATIC SHALL IN NO EVENT BE LIABLE FOR DEATH, INJURIES TO PERSONS OR PROPERTY, OR FOR INCIDENTAL, CONTINGENT, SPECIAL, OR CONSEQUENTIAL DAMAGES ARISING FROM THE USE OF OUR PRODUCTS. SOME STATES DO NOT ALLOW THE EXCLUSION OR LIMITATION OF INCIDENTAL OR CONSEQUENTIAL DAMAGES, SO THE ABOVE LIMITATION OR EXCLUSION MAY NOT APPLY TO YOU.

Powermatic sells through distributors only. The specifications listed in Powermatic printed materials and on the official Powermatic website are given as general information and are not binding. Powermatic reserves the right to effect at any time, without prior notice, those alterations to parts, fittings, and accessory equipment which they may deem necessary for any reason whatsoever.

Product Listing with Warranty Period

90 Days – Parts; Consumable items
1 Year – Motors, Machine Accessories
2 Year – Woodworking Machinery used for industrial or commercial purposes
5 Year – Woodworking Machinery

NOTE: Powermatic is a division of JPW Industries, Inc. References in this document to Powermatic also apply to JPW Industries, Inc., or any of its successors in interest to the Powermatic brand.



427 New Sanford Road
LaVergne, Tennessee 37086
Phone: 800-274-6848
www.powermatic.com

POWERMATIC®

Manual de instrucciones de operación y piezas **Sierra de gabinete de 10 pulgadas** **Modelo PM2000B**



Se muestra con conjunto de
largueros de 30 pulg

Para modelos con número de serie 1911PM2000B1308 y superior

Powermatic
427 New Sanford Road
LaVergne, Tennessee 37086
Tel: 800-274-6848
www.powermatic.com

No. de pieza M-PM231B
Edición 4 09/2019
ECR 190517174815
Copyright © 2017 Powermatic



1.0 INSTRUCCIONES DE SEGURIDAD IMPORTANTES

LEA TODAS LAS INSTRUCCIONES ANTES DE USAR ESTA MÁQUINA.

ADVERTENCIA – Para reducir el riesgo de lesiones:

1. ¡Lea y entienda todo el contenido de este manual del propietario antes de tratar de armarla o hacerla funcionar!
2. Lea y entienda las advertencias indicadas en la máquina y este manual. De no cumplir con todas estas advertencias se pueden producir lesiones graves.
3. Reemplace las etiquetas de advertencia si se oscurecen o se retiran.
4. Esta sierra de mesa está diseñada y prevista para ser usada por personal debidamente capacitado y experimentado solamente. Si no está familiarizado con la operación apropiada y segura de una sierra de mesa, no la use hasta que haya obtenido una capacitación y unos conocimientos apropiados.
5. No use esta sierra de mesa para otro fin que no sea su empleo en aplicaciones para las que se ha diseñado. Si se usa para otros fines, Powermatic renuncia a cualquier garantía real o implícita y se exime de la responsabilidad de las lesiones que puedan ser consecuencia de dicho uso.
6. Lleve siempre gafas de seguridad u una máscara protectora aprobadas cuando use esta sierra de mesa. (Las gafas de uso diario solo tienen lentes resistentes a los impactos; no son gafas de seguridad).
7. Antes de operar esta sierra de mesa, quítese la corbata, los anillos, los relojes de pulsera y otros artículos de joyería y arremánguese por encima de los codos. No lleve ropa holgada. Recójase el cabello. Se recomienda usar calzado antirresbaladizo o tiras antideslizantes. **No** lleve puestos guantes.
8. Lleve protectores de oídos (tapones u orejeras) durante largos períodos de operación.
9. No haga funcionar esta máquina si está cansado o bajo la influencia de drogas, alcohol o cualquier medicina.
10. Asegúrese de que la máquina esté debidamente puesta a tierra.
11. Efectúe todos los ajustes de la máquina o el mantenimiento con la máquina desenchufada de la fuente de alimentación. Una máquina sometida a reparaciones debe tener una ETIQUETA ROJA que muestra que no debe usarse hasta que se haya completado el mantenimiento.
12. Quite las llaves de ajuste y herramientas. Acostúmbrase a comprobar que las llaves de ajuste y herramientas estén fuera de la máquina antes de encenderla.
13. Mantenga los protectores de seguridad colocados en todo momento cuando se use la máquina. Si se quitan para fines de mantenimiento, tenga mucho cuidado y vuelva a colocar los protectores de inmediato.
14. Compruebe la alineación del separador, de la guía y de la ranura de inglete con la hoja. Hay una calcomanía de precaución instalada en cada protector para recordar al operador de los peligros de una operación indebida a la máquina.
15. Compruebe si hay piezas dañadas. Antes de usar más la máquina, se debe comprobar detenidamente si hay un protector u otra pieza para determinar si funcionará debidamente y realizará su función prevista. Compruebe la alineación y adherencia de las piezas móviles, la rotura de piezas, el armado y cualquier otra condición que pueda afectar su operación. Un protector u otra pieza dañados debe repararse o reemplazarse debidamente.
16. Proporcione un espacio adecuado alrededor del área de trabajo y una luz por encima que no dé reflejos.
17. Mantenga el piso alrededor de la máquina limpio y sin materiales de desecho, aceite y grasa.
18. Mantenga a los visitantes a una distancia segura del área de trabajo. No deje que se acerquen los niños.
19. Prepare su taller a prueba de niños con candados, interruptores principales o retirando las llaves de seguridad.
20. Preste toda la atención a su trabajo. Mirar alrededor, mantener una conversación y “jugar” son acciones descuidadas que pueden provocar lesiones graves.
21. Mantenga una posición equilibrada en todo momento, de modo que no se pueda caer contra la hoja u otras piezas móviles. No extienda el brazo ni use una fuerza excesiva para realizar cualquier operación de la máquina.
22. Use la herramienta apropiada a las velocidades de corte y alimentación correctas. No fuerce una herramienta ni un accesorio para hacer un trabajo para el que no estén diseñadas. Se hará un mejor trabajo y más seguro usado la herramienta adecuada.
23. Use accesorios recomendados; los accesorios indebidos pueden ser peligrosos.
24. Efectúe el mantenimiento de las herramientas con cuidado. Mantenga la hoja afilada y limpia

para obtener el mejor rendimiento de forma más segura. Siga las instrucciones para lubricar y cambiar accesorios.

25. Compruebe si la hoja de la sierra tiene rajaduras o le faltan dientes. No use una hoja agrietada o desafilada o a la que le falten dientes o esté fijada indebidamente. Asegúrese de que la hoja esté bien fijada al árbol.
26. No acerque las manos al área de la hoja. No introduzca el brazo pasada la hoja para despejar piezas o residuos con la hoja de la sierra en marcha. No sierre nunca a mano libre. Evite operaciones y posiciones de la mano extrañas cuando un deslizamiento súbito pueda hacer que la mano haga contacto con la hoja.
27. No trate de serrar tableros con nudos sueltos o clavos u otras materias extrañas, en su superficie. No trate de serrar madera torcida, alabeada o arqueada a menos que se haya unido un borde para fines de guía antes de serrar. No se deben usar maderas demasiado alabeadas.
28. No trate de serrar tableros largos o anchos sin sujetar donde el resorte o el peso puedan hacer que el tablero cambie de posición.
29. Use siempre el separador, el protector de hoja, la varilla de empuje y otros dispositivos de seguridad para todas las operaciones donde se pueden usar. En operaciones como juntas de ranura o molduras donde no se puede usar el protector de hoja, use tableros de presión, aparatos y otros dispositivos de seguridad y tenga mucho cuidado. Vuelva a instalar el separador y el protector de hoja de inmediato después de completar la operación que requería su retirada.
30. Asegúrese de que la hoja de la sierra gire hacia la derecha cuando se observa desde el lado del motor (lado izquierdo) de la máquina.
31. Apague la máquina antes de limpiarla. Use un cepillo o aire comprimido para eliminar las astillas o residuos. No use las manos desprotegidas.
32. No se pare encima de la máquina. Se pueden producir lesiones graves si se vuelca la máquina.
33. No deje nunca la máquina funcionando de forma desatendida. Desconecte la corriente y no deje la máquina hasta que se pare completamente.
34. Quite los artículos sueltos y las piezas de trabajo innecesarias del área antes de arrancar la máquina.
35. La hoja debe tener una exposición mínima durante los cortes. Ajuste la hoja a aproximadamente 1/8" por encima de la superficie de la pieza.

⚠ ADVERTENCIA: Este producto puede exponerlo a productos químicos, incluido plomo que, según el estado de California, causa cáncer y defectos de nacimiento u otros daños reproductivos. Para obtener más información, vaya a <http://www.p65warnings.ca.gov>.

⚠ ADVERTENCIA: La perforación, aserrado, lijado o mecanizado de productos de madera genera polvo de madera y otras sustancias conocidas por el Estado de California como causante de cáncer. Evitar la inhalación de polvo que se genera a partir de productos de madera o utilizar una mascarilla contra el polvo u otras medidas de seguridad para protección personal.

Productos de madera emiten sustancias químicas conocidas en el Estado de California como causa de defectos de nacimiento u otros daños reproductivos. Para obtener más información, vaya a <http://www.p65warnings.ca.gov/wood>.

1.1 Retroceso

Los accidentes más comunes entre usuarios de sierras de mesa, según las estadísticas, pueden relacionarse con el retroceso, la expulsión de material a alta velocidad de la mesa puede golpear al operador. El retroceso también puede atraer las manos del operador hacia la hoja.

Prevención del retroceso

Consejos para evitar las causas más comunes del retroceso:

- Asegúrese de que el separador esté siempre alineado con la hoja. Una pieza de madera puede atascarse o detener el flujo del corte si el separador está desalineado, y ocasiona un retroceso.
- Use un separador durante los cortes. El separador mantiene el ancho de corte en la pieza, lo que reducirá la posibilidad de retroceso.
- No trate nunca de hacer cortes a mano. La pieza debe alimentarse paralela a la hoja, ya que de lo contrario es probable que se produzca un retroceso. Use siempre la guía de corte o calibre de inglete para sujetar la pieza.
- Asegúrese de que la guía de corte sea paralela a la hoja. Si no es así, las posibilidades de retroceso son muy elevadas. Tómese el tiempo para comprobar y ajustar la guía de corte.
- Avance los cortes hasta completarse. En cualquier momento en que deje de alimentar la pieza que está en el medio de un corte,

aumenta considerablemente la a probabilidad de atasco produciendo un retroceso.

Consejos de protección contra los retrocesos

El retroceso puede ocurrir incluso si se toman precauciones para impedirlo. A continuación, se indican algunos consejos de protección en caso de que se *produzca* un retroceso:

- Póngase a un lado de la hoja al cortar. Una pieza expulsada normalmente se desplaza directamente delante de la hoja.

- Lleve gafas de seguridad o una máscara. Los ojos y la cara son la parte más vulnerable del cuerpo.
- No coloque nunca la mano detrás de la hoja. Si se produce un retroceso, la mano será atraída hacia la hoja.
- Use una varilla de empuje para mantener alejadas las manos de la hoja móvil. Si se produce un retroceso, la varilla de empuje probablemente absorberá el daño que se habría producido en la mano.

Familiarícese con los siguientes avisos de seguridad usados en este manual:



Esto significa que si no se respetan las precauciones, se pueden producir lesiones menores y posibles daños en la máquina.



Esto significa que si no se respetan las precauciones, se pueden producir lesiones graves o posiblemente incluso mortales.

2.0 Acerca de este manual

Powermatic proporciona este manual que cubre los procedimientos de operación y mantenimiento seguros para una sierra de gabinete modelo PM2000B de Powermatic. Este manual contiene instrucciones sobre instalación, precauciones de seguridad, procedimientos de operación generales, instrucciones de mantenimiento y enumeración de piezas. Esta máquina se ha diseñado y construido para proporcionar una operación uniforme a largo plazo si se usa según las instrucciones establecidas en este documento.

Este manual no tiene como fin ser una guía exhaustiva de métodos de operación de sierra de mesa, uso de dispositivos o accesorios comerciales, selección de materiales o brocas de corte, etc. Se pueden obtener conocimientos adicionales de usuarios experimentados o artículos profesionales. Sea cual sea el método aceptado usado, haga que la seguridad personal sea siempre prioritaria.

Si desea hacer preguntas o comentarios, póngase en contacto con su proveedor local o Powermatic. Powermatic también puede visitarse en nuestro sitio web: www.powermatic.com.

Conserve este manual como referencia. Si la máquina cambia de dueño, el manual debe acompañarla.



¡Lea y entienda todo el contenido de este manual antes de tratar de armar o hacer funcionar! ¡De no cumplir con esto se pueden producir lesiones graves!

3.0 Índice

Sección	Página
1.0 INSTRUCCIONES DE SEGURIDAD IMPORTANTES	2
1.1 Retroceso	3
2.0 Acerca de este manual	4
3.0 Índice	5
4.0 Terminología de la sierra de mesa	7
5.0 Especificaciones para PM2000B	8
5.1 Configuraciones de los kits	9
6.0 Configuración y armado	10
6.1 Contenido de envío	10
6.2 Herramientas requeridas para el armado	10
6.3 Desembalaje y limpieza	11
6.4 Instalación de las alas de extensión	11
6.5 Volante, perillas, palancas	12
6.6 Largueros y guía	12
6.7 Cubierta del motor	12
6.8 Inserto de la mesa	13
6.9 Instalación y retirada de la hoja	13
6.10 Instalación de conjunto de protector/cuchilla	13
6.11 Orificio para el polvo	14
7.0 Conexiones eléctricas	15
7.1 INSTRUCCIONES DE PUESTA A TIERRA	15
7.2 Conversión de voltaje (modelo trifásico solamente)	15
7.3 Cordones de alargamiento	15
7.4 Interruptor magnético con llave de seguridad	16
8.0 Ajustes	16
8.1 Herramientas requeridas para los ajustes	16
8.2 Alineamiento de la guía	16
8.3 Subida e inclinación de la hoja	16
8.4 Mecanismo de las ruedecillas orientables	17
8.5 Calibre de inglete	17
8.6 Ajuste de tope de inclinación de la hoja	18
8.7 Alineación del separador	18
8.8 Alineación de la mesa con la hoja	19
8.9 Ajuste de la correa	20
8.10 Calibración de la DRO y operación	20
9.0 Operaciones	21
10.0 Dispositivos de seguridad	26
10.1 Tablero de presión	26
10.2 Varilla de empuje y bloque de empuje	26
11.0 Mantenimiento del usuario	27
11.1 Inspección general	27
11.2 Limpieza	27
11.3 Lubricación	27
11.4 Retirada del árbol/cojinete del árbol	27
11.5 Servicio adicional	27
12.0 Accesorios opcionales	28
13.0 Resolución de problemas Sierra de gabinete PM2000B	29
13.1 Problemas del motor y eléctricos	29
13.2 Problemas mecánicos y eléctricos	30
14.0 Piezas de repuesto	31
14.1.1 PM2000B Conjunto de mesa y gabinete I – Vista desarrollada	32
14.1.2 PM2000B Conjunto de mesa y gabinete II – Vista desarrollada	33
14.1.3 PM2000B Conjunto de mesa y gabinete – Lista de piezas	34
14.2.1 PM2000B Conjunto de motor y muñón I – Vista desarrollada	37
14.2.2 PM2000B Conjunto de motor y muñón II – Vista desarrollada	38
14.2.3 PM2000B Conjunto de motor y muñón – Lista de piezas	39
14.3.1 PM2000B Conjuntos de protector de hoja y calibre de inglete – Vista desarrollada	42

14.3.2	PM2000B Conjuntos de protector de hoja y calibre de inglete – Lista de piezas	43
14.4.1	PM2000B Conjunto de cubierta de motor – Vista desarrollada	44
14.4.2	PM2000B Conjunto de cubierta de motor – Lista de piezas	44
15.0	Conexiones eléctricas	45
15.1	PM2000B Diagrama de conexiones – 3 HP, 230 V, monofásica	45
15.2	PM2000B Diagrama de conexiones – 5 HP, 230 V, monofásica	46
15.3	PM2000B Diagrama de conexiones – 5 HP, 230 V, trifásica	47
15.4	PM2000B Diagrama de conexiones – 5 HP, 460V, trifásica	48
16.0	Garantía y servicio	49

4.0 Terminología de la sierra de mesa

Árbol: Eje de metal que conecta el mecanismo de impulsión con la hoja.

Corte de borde biselado: Incline el árbol de la sierra y la hoja entre 0° y 45° para efectuar una operación de corte en ángulo.

Protector de hoja: Mecanismo montado sobre la hoja de la sierra para impedir el contacto por accidente con la cuchilla.

Corte transversal: Operación de aserrado en la que se usa el calibre de inglete para cortar a través de las vetas de la pieza.

Hoja para juntas de ranura: Hojas usadas para cortar muescas y rebajos. Se puede usar un conjunto de hojas de juntas de ranura apilado para hacer muescas más anchas.

Corte de junta de ranura: Muesca plana aplastada en la cara de la pieza hecha con una hoja para juntas de ranura.

Tablero de presión: Dispositivo usado para mantener un tablero contra la guía de corte o mesa que permite al operador tener las manos alejadas de la hoja de la sierra.

Mano libre: Mover la pieza hacia la hoja usando ambas manos, sin un dispositivo de posición fijo. (Este procedimiento es inaceptable por peligroso – use **siempre** dispositivos apropiados para alimentar la pieza a través de la hoja de la sierra durante las operaciones de corte).

Ancho de corte: El corte o el hueco producidos por una hoja de sierra.

Retroceso: Suceso por el que la pieza es levantada y arrojada hacia atrás, hacia el operador, cuando la pieza se agarra en la hoja de la sierra o entre la hoja y la guía de corte (u otro objeto fijo). Para minimizar o impedir lesiones debidas a los retrocesos, vea la sección de *Operaciones*.

Calibre de inglete: Componente que controla el movimiento de la pieza mientras realiza un corte transversal a varios ángulos.

Corte no pasante: Operación de aserrado que requiere la retirada del protector de la hoja y del separador estándar, produciendo un corte que no sobresale por la parte de arriba de la pieza (incluye cortes de juntas de ranura y de rebajo).

El protector de hoja y el separador deben volver a instalarse después de efectuar un corte no pasante para evitar el contacto por accidente con la hoja de la sierra durante la operación.

Posición paralela: Posición de la guía de corte a una distancia igual en cada punto de la cara lateral de la sierra de mesa.

Posición perpendicular: Intersección o posición a 90° (ángulo recto) de los planos vertical y horizontal como la posición de la hoja de la sierra (vertical) a la superficie de la mesa (horizontal).

Tablero de empuje/Varilla de empuje: Instrumento usado para empujar de modo seguro la pieza durante la operación de corte manteniendo las manos del operador a distancia.

Rebajo: Operación de corte que produce un canal en forma de L- a lo largo del borde del tablero.

Rasgado: Corte hecho a lo largo de la veta de la pieza.

Separador: Placa de metal fija con relación a la hoja, que se mueve con la hoja a medida que se ajusta la profundidad de corte. Así, no solo se mantiene la abertura del ancho de corte en la pieza, sino también la distancia entre la cuchilla y la hoja. Hay un separador de *bajo perfil* más bajo que el borde superior de la hoja, para hacer un corte no pasante.

Divisor: Placa de metal fija a la que se sujeta el protector de la hoja que mantiene la abertura del ancho de corte en la pieza durante una operación de corte. (En vez de eso, las sierras de mesa Powermatic usan el sistema de separador superior).

Ancho de corte estándar: Hueco de 1/8" hecho con una hoja estándar.

Regla: Herramienta usada para comprobar si una superficie es plana o paralela.

Aserrado pasante: Operación de aserrado en la que el espesor de la pieza se sierra por completo. La altura debida de la hoja normalmente permite que 1/8" de la parte superior de la hoja se extienda por encima de la madera. Mantenga el protector de la hoja bajado, los fiadores antirretroceso bajados y el separador colocado sobre la hoja.

5.0 Especificaciones para PM2000B

Tabla 1

Número de modelo	PM2000B		
Número de existencias – sierra solamente (vea en la Tabla 2 de abajo las configuraciones de los kits)	PM231B	PM251B	PM253B
Motor y sistema eléctrico			
Tipo de motor	Inducción, enfriado por ventilador, totalmente cerrado		
Potencia	3 HP	5 HP	5 HP
Fase del motor	Monofásico		Trifásico
Voltaje del motor	230 V		230/460 V ¹ (precableado a 230 V)
Frecuencia	60 Hz		
FLA (amperios de carga máxima) homologados	14.5 A	21 A	13 / 6.5 A
Velocidad del motor	3450 RPM		
Amperios de arranque	86	126	120
Amperios de funcionamiento (sin carga)	4.9	4.8	6.5
Capacitor de arranque	400 MFD 125 VCA	400 MFD 250 VCA	no disponible
Capacitor de marcha	40 µF 350 VCA	30 µF 500 VCA	no disponible
Transferencia de potencia	Correa trapecial poli		
Interruptor de encendido/apagado	Interruptor magnético con llave de seguridad		
No se suministran ni el cordón	de alimentación ni el enchufe		
Tamaño recomendado del circuito ²	20 A	30 A	20 A
Emisión de sonido sin carga ³	84 db a 100cm; 89 dB a 50cm		
Árbol y hoja			
Diámetro del árbol	5/8 pulg (15.875 mm)		
Velocidad del árbol	4500 RPM		
Traba del árbol	sí		
Llave para árbol	incluido		
Hoja incluida	Puntas de carburo de Ø10 pulg (254 mm), 0.079 pulg (2.0 mm) de espesor, 0.118 pulg (3.0 mm) de ancho de corte, 40T, AB		
Profundidad máxima del corte a 90 grados	3-1/8 pulg (80 mm)		
Profundidad máxima del corte a 45 grados	2-1/8 pulg (54 mm)		
Rasgado máximo a la derecha de la hoja	30 pulg (762 mm) o 50 pulg (1270 mm)		
Rasgado máximo a la izquierda de la hoja	13-1/2 pulg (343 mm)		
Ancho máximo de la junta de ranura	13/16 pulg (21 mm)		
Diámetro máximo de la junta de ranura	8 pulg (203 mm)		
Inclinación de la hoja	Izquierda, 0° a 45°		
Mesa			
Dimensiones de la mesa principal, L x A	30-1/2 x 22 pulg (775 x 559 mm)		
Dimensiones de la mesa con extensiones, L x A	30-1/2 x 42 pulg (775 x 1067 mm)		
Área de la mesa delante de la hoja a la máxima altura	11-1/4 pulg (286 mm)		
Superficie de la mesa desde el piso, ruedecillas orientables desconectadas	35 pulg (889 mm)		
Ranura en T de inglete, A x P	2 ranuras; 3/4 x 3/8 pulg (19 x 10 mm)		
Bisel de borde	Delantero y trasero		
Colector de polvo			
Diámetro exterior del orificio de polvo	4 pulg (101.6 mm)		
Volumen de extracción mínimo recomendado	400 pie ³ /min (0.5 m ³ /min)		

Materiales principales			
Mesa principal	hierro de fundición		
Inserto de la mesa	aluminio		
Alas de extensión	hierro de fundición		
Gabinete	acero		
Base	acero		
Muñón central	hierro de fundición		
Brazo de apoyo	hierro de fundición		
Poleas	acero		
Dimensiones generales			
Superficie de la base	23 x 28 pulg (584 x 711 mm)		
Montada, con alas de extensión solamente, L x A x H	42-5/8 x 32-3/4 x 40-3/8 pulg (1083 x 832 x 1026 mm)		
Montada, con conjunto de largueros de 30 pulg, L x A x H	66-3/4 x 39-1/8 x 40-3/8 pulg (1694 x 993 x 1026 mm)		
Montada, con conjunto de largueros de 50 pulg, L x A x H	84-3/4 x 39-1/8 x 40-3/8 pulg (2151 x 993 x 1026 mm)		
Elevación de las ruedecillas orientables (aproximada)	3/4 pulg (19 mm)		
Dimensiones de envío, sierra solamente, L x A x H	29-7/8 x 32-3/33 x 43-1/2 pulg (760 x 840 x 1105 mm)		
Pesos			
Sierra solamente – peso neto	385 lb (175 kg)	405 lb (184 kg)	398 lb (181 kg)
Sierra solamente – peso de envío	535 lb (243 kg)	555 lb (252 kg)	548 lb (249 kg)

¹ Nota: Para la operación de 460 V, se debe comprar un relé de sobrecarga (No. de pieza PM2000B-2107BORA) por separado e instalarse. Se recomienda un electricista capacitado.

² Sujeto a los códigos eléctricos locales/nacionales.

³ Los valores especificados son niveles de emisión y no se consideran necesariamente como niveles de operación seguros. A medida que varían las condiciones del lugar de trabajo, esta información tiene como fin permitir al usuario estimar mejor los peligros y riesgos que conlleva solamente.

L = longitud, A = ancho, H = altura, P = profundidad

n/a = no disponible

5.1 Configuraciones de los kits

	Números de existencias		
	PM231B	PM251B	PM253B
Sierra solamente			
Sierra con conjunto de largueros de 30 pulg, mesa de extensión de madera	PM23130K	PM25130K	PM25330K
Sierra con conjunto de largueros de 50 pulg, mesa de extensión de madera	PM23150K	PM25150K	PM25350K
Sierra con conjunto de largueros de 50 pulg y elevador de rebajadora	PM23150RK	PM25150RK	PM25350RK
Sierra con conjunto de largueros de 50 pulg y banco	PM23150WK	PM25150WK	PM25350WK

Tabla 2

Las especificaciones en este manual eran las actuales en el momento de la publicación, pero debido a nuestras normas de mejora continua, Powermatic se reserva el derecho de cambiar las especificaciones en cualquier momento sin previo aviso y sin incurrir en obligaciones.



ADVERTENCIA Lea y entienda todo el contenido de este manual antes de tratar de configurar u operar. De no cumplir con esto se pueden producir lesiones graves.

6.0 Configuración y armado

6.1 Contenido de envío

Vea la Figura 6-1.

Retire todas las cajas de accesorios de la paleta de envío. Saque los artículos del gabinete. No deseche ningún material de embalaje hasta que se arme la sierra y funcione de forma satisfactoria.

Compare el contenido de su recipiente con la lista de piezas de abajo para asegurarse de que todas las piezas estén intactas. Se debe informar al distribuidor de inmediato en caso de que falte cualquier pieza. (Compruebe la sierra primero en caso de que haya piezas que se hayan instalado antes).

- 1 Sierra de gabinete con interruptor – A
- 2 Alas de extensión de hierro de fundición – B
- 1 Conjunto de calibre de inglete – C
- 1 Cubierta de motor con pasadores articulados–D
- 1 Varilla de empuje – E
- 1 Llave para árbol – F
- 1 Manija de elevación de ruedecillas orientables–G
- 2 Manijas – H
- 1 Volante – J
- 1 Perilla de traba del volante – K
- 1 Protector de hoja – L
- 1 Separador de bajo perfil – M
- 1 Separador – N
- 1 Conjunto de fiadores antirretroceso – O
- 1 Inserto de mesa (preinstalado) – P
- 1 Hoja (preinstalada)
- 1 Tarjeta de registro del producto
- 1 Manual de instrucciones de operación y piezas
- 1 Paquete de tornillería

6.1.2 Paquete de tornillería PM2000B-HP

Vea la Figura 6-2.

- 6 Tornillos de cabeza hexagonal M10x35–(HP1)
- 6 Arandelas de traba M10 (HP2)
- 6 Arandelas planas M10 (HP3)

NOTA: Los conjuntos de guía y largueros con sujetadores, y mesas de extensión y patas de madera con sujetadores, se envían en cajas separadas.

6.2 Herramientas requeridas para el armado

- Llave hexagonal de 2.5mm
- Llaves de boca fija: 14 mm, 17 mm
- Regla
- Maza de goma (o martillo con bloque de madera)

Nota: El empleo de una llave de trinquete con cubos acelerará el tiempo de armado. Tal vez sea necesario usar herramientas adicionales para el montaje de la guía y los largueros.

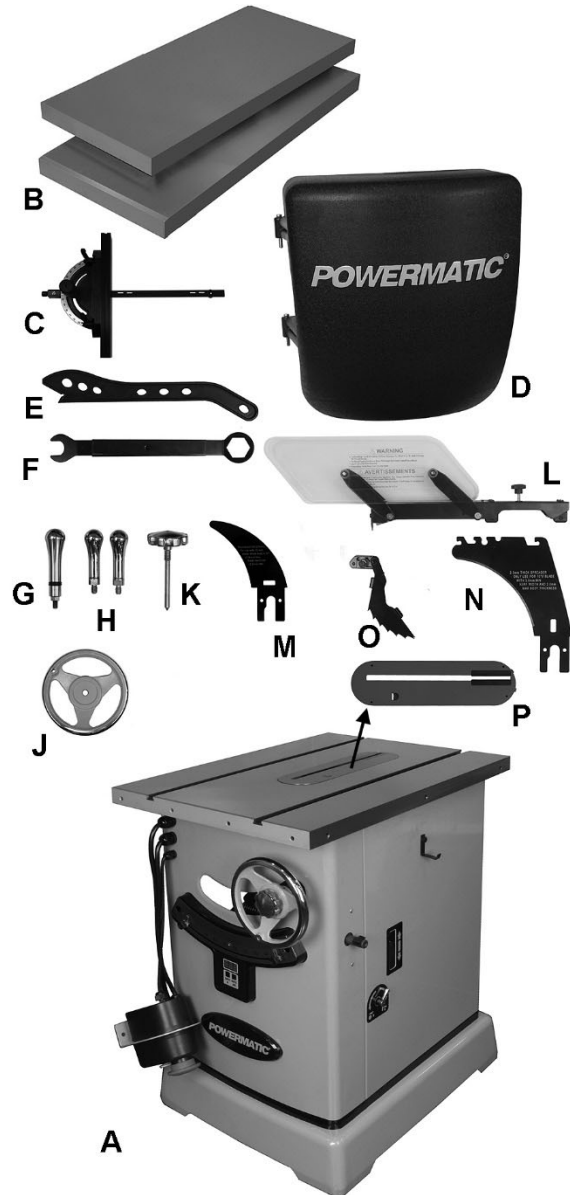


Figura 6-1 (artículos no a escala)

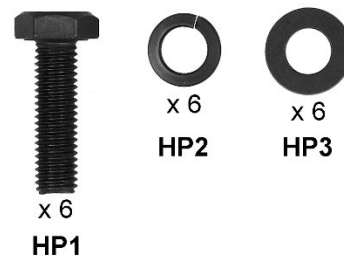


Figura 6-2 paquete de tornillería (PM2000B-HP)



ADVERTENCIA La sierra debe desconectarse de la fuente de alimentación durante el armado. De no cumplir con esto se pueden producir lesiones graves.

6.3 Desembalaje y limpieza

1. Use un dispositivo para levantar la sierra de la paleta; o quite los tableros clavados que sujetan el gabinete de la sierra a la paleta y deslice la sierra de la paleta sobre el piso. (Tenga cuidado de no dañar el sistema de ruedecillas orientables mientras la desliza sacándola de la paleta).
2. La sierra del gabinete debe colocarse en un área con un piso horizontal robusto, buena ventilación y suficiente iluminación. Deje espacio suficiente alrededor de la máquina para montar mesas de extensión y conjuntos de largueros, y cargar y descargar madera y hacer un trabajo de mantenimiento general.
3. Las superficies de metal expuestas, como superficies superiores de mesas y alas de extensión, disponen de una capa protectora de fábrica. Esta debe quitarse con un paño suave humedecido en queroseno o limpiador desengrasante. No use acetona, gasolina o diluyente de laca para este fin. No use disolventes en piezas de plástico, y evite usar un estropajo abrasivo, ya que se pueden arañar las superficies.

6.4 Instalación de las alas de extensión

Vea la Figura 6-3.

1. Los bordes de contacto de la mesa y las alas deben estar limpios y sin rebabas.
2. Sujete un ala de extensión (B) a la mesa de la sierra. (Las alas de extensión son idénticas). Use tres tornillos, arandelas de traba y arandelas planas (HP-1/2/3). Apriete ligeramente los tornillos con una llave o un cubo de 17 mm. *No apriete por completo todavía.*

Consejo de montaje: Si está haciendo esto sin un ayudante, levante el ala de extensión perpendicular al borde de la mesa. Instale el tornillo central y las arandelas, y apriete. Después pivote el ala paralela a la mesa de la sierra para insertar los dos tornillos restantes.

3. Repita para el ala de extensión opuesta. Apriete los tornillos ligeramente. *No apriete por completo todavía.*
4. El borde delantero de las alas de extensión debe estar al ras con el borde delantero de la mesa de la sierra. Si es necesario, golpee ligeramente el borde delantero del ala con una maza de goma para poner al ras. Vea la Figura 6-4.

6.4 Nivelación de las alas de extensión

Nivele las alas de extensión con la mesa de la sierra haciendo uso de una regla. Es ideal usar una regla de metal, aunque también se puede usar un tablero unido con cuidado.

A continuación, se describen dos métodos: uno, usando una maza de goma y el otro con prensas los bordes de la mesa.

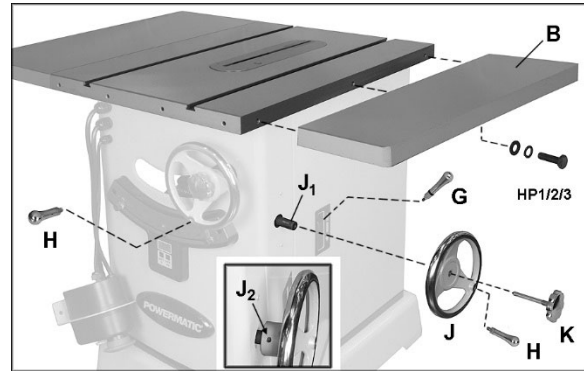


Figura 6-3: instalación de accesorios

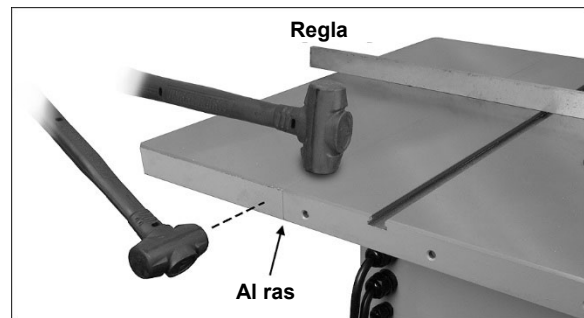


Figura 6-4: nivelación de las alas de extensión, método 1

Método 1 (Figura 6-4):

1. Desplace el ala de extensión de modo que esté ligeramente por encima de la superficie de la sierra.
2. Empiece apretando los tres tornillos de debajo del ala de extensión que la sujeta a la mesa de la sierra. Apriete estos lo suficiente para mantener el ala en posición, pero suficientemente aflojada para cambiar la altura del ala golpeándola. (Golpee con una maza de goma o un martillo sobre un bloque plano de madera. No use nunca un martillo de acero directamente contra las mesas).
3. Ponga la regla a través de la mesa de sierra y del ala de extensión, extendiéndola pasado el borde del ala según se muestra en la Figura 6-4.
4. Mueva la regla a varios lugares a lo largo del ala, a medida que sigue poniendo al ras el ala con la mesa de sierra. Pase también la punta de los dedos sobre la costura para asegurarse de que la transición se sienta suave. A medida que se pone cada área al ras con la mesa, apriete el tornillo de debajo de esa área. Siga

hasta que los tres tornillos estén completamente apretados. **NOTA:** Asegúrese de que el borde delantero del ala esté al ras con el borde delantero de la mesa de sierra.

5. Repita los pasos de arriba para el ala de extensión opuesta.

Método 2 (Figura 6-5):

1. Siga los pasos 1 a 3 del Método 1.
2. Coloque las prensas sobre la costura, una delante y otra detrás de la mesa. Use una placa o bloque plano debajo de la mordaza de la prensa para no dañar la superficie de la mesa. Vea la Figura 6-5.
3. Apriete ambas prensas para alinear los bordes delantero y trasero de las mesas. Asegúrese de que el borde delantero del ala esté al ras con el borde delantero de la mesa de sierra.
4. Apriete los tornillos gradualmente, y coloque la regla en varios lugares a través de la costura, comprobando especialmente el centro. Haga ajustes adicionales según sea necesario.
5. Apriete completamente los tornillos.



Figura 6-5: nivelación de las alas de extensión, método 2

6.5 Volante, perillas, palancas

Vea la Figura 6-3.

1. Quite la cinta adhesiva de alrededor del eje para exponer las roscas y la chaveta del eje (J₁, Figura 6-3).
2. Asegúrese de que el tornillo de presión del volante (J₂) esté aflojado lo suficiente para impedir interferencias.
3. Asegúrese de que la chaveta esté en la ranura. Deslice el volante en el eje, alineando el chavetero con la chaveta.
4. Empuje el volante por el eje tan lejos como sea posible y después apriete el tornillo de presión (J₂).
5. Instale la perilla de traba (K, Figura 6-3) y las manijas (H). Use la llave en la superficie plana de las manijas para apretarlas contra los volantes.

6.6 Largueros y guía

Una vez debidamente montadas las alas de extensión, los largueros y el conjunto Accu-Fence® pueden montarse ahora en la sierra. Consulte el manual no. M-2195079B que acompaña a la guía, y después pase a la sección 6.7 abajo.

6.6.1 Soporte del interruptor

Vea la Figura 6-6.

El soporte del interruptor se instala al mismo tiempo que el tubo de guía. Use dos tornillos con arandelas proporcionados con los largueros.

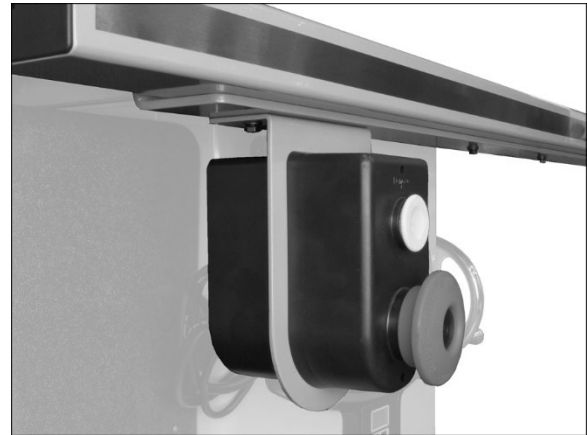


Figura 6-6: instalación del interruptor

6.6.2 Mesa de extensión de madera

Para obtener instrucciones sobre el montaje de la mesa de extensión de madera, consulte el manual de Accu-Fence, no. M-2195079B.

6.7 Cubierta del motor

Vea la Figura 6-7.

Deslice los pasadores de la cubierta del motor en los cilindros de articulación de la sierra. Cierre la cubierta del motor hasta que se enganche en el montante de la sierra.

Nota: Es posible que sea necesario ajustar el mecanismo de enganche para asegurar un cierre apropiado. Afloje el tornillo y colóquelo según sea necesario. Vuelva a apretar el tornillo



Figura 6-7: instalación de la cubierta del motor

6.8 Inserto de la mesa

Vea la Figura 6-8.

Coloque el inserto en la abertura de la mesa. Verifique que el inserto esté al ras con la superficie de la mesa colocando una regla a través de ella en varios puntos. Si el inserto no está al ras a lo largo, gire cualquiera de los 4 tornillos de presión para subir o bajar esa área del inserto.

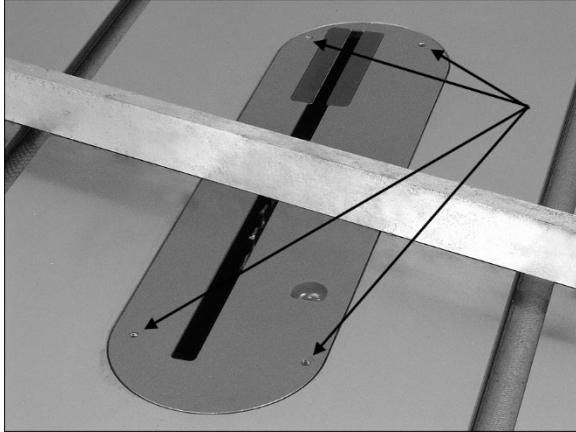


Figura 6-8: nivelación del inserto de la mesa

6.9 Instalación y retirada de la hoja

PRECAUCIÓN Tenga cuidado al trabajar con hojas de sierra o en sus proximidades a fin de impedir lesiones.

Vea la Figura 6-9.

1. Desconecte la máquina de la fuente de alimentación.
2. Quite el inserto de la mesa
3. Suba el árbol de la hoja a la posición más elevada y fije la inclinación de la hoja en 0°.
4. Instale la hoja en el árbol, asegurándose de que las puntas de los dientes estén dirigidos hacia abajo, hacia la parte delantera de la sierra.
5. Instale la brida y la tuerca según se muestra.
6. Ejercer presión hacia abajo y sujete la palanca (R, Figura 6-9), y gire la hoja hasta que se conecte la traba del árbol. Apriete la tuerca hacia la derecha con la llave para árbol proporcionada. No apriete la tuerca excesivamente.

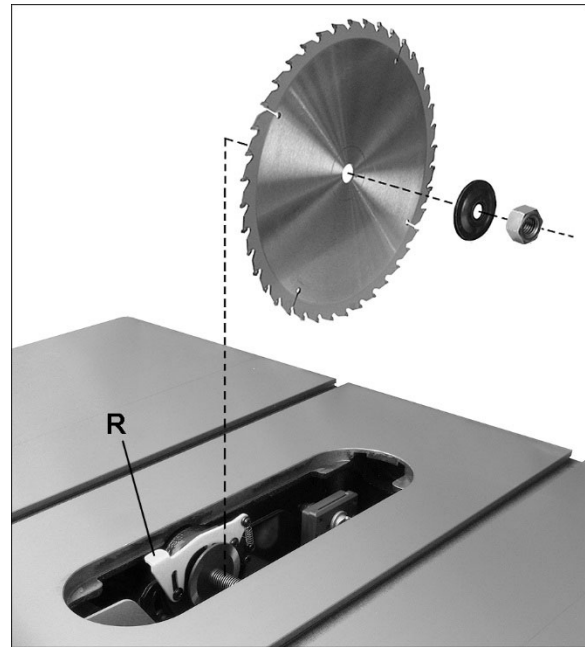


Figura 6-9: instalación de la hoja

7. Para quitar la hoja, conecte la traba del árbol y quite la tuerca con una llave.

6.10 Instalación de conjunto de protector/cuchilla

Vea la Figura 6-10.

6.10.1 Separador

1. Quite el inserto de la mesa
2. Suba el árbol de la hoja a la posición más elevada y fije la inclinación de la hoja a 0°.
3. Tire de la palanca de fijación (S₁, Figura 6-9) hacia arriba. La placa de sujeción (S₂) está cargada por resorte y se alejará de la base fija, dejando un hueco.

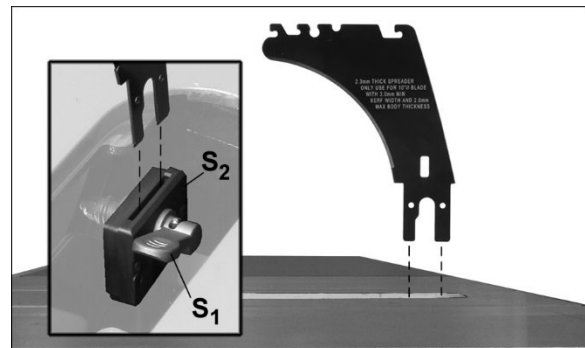


Figura 6-10: instalación del conjunto de protector

4. Deslice las patillas del separador (N) en la ranura de la base de sujeción y empuje el separador hacia abajo tanto como sea posible.
5. Empuje la palanca de sujeción (S₁) hacia abajo a la posición cerrada.

6. El separador debe ser paralelo a la hoja de la sierra. Vea la sección 8.7 para inspecciones y ajustes.

NOTA: También se proporciona un separador de bajo perfil para hacer cortes no pasantes en la sierra de mesa.

6.10.2 Fiaadores antirretroceso

Vea la Figura 6-11 y 6-12.

1. Instale la placa del inserto en la mesa.
2. Oprima sin soltar el botón (O1) en el lado opuesto de la cabeza para liberar el pasador de retención. Monte el conjunto de fiaadores hacia abajo, en la ubicación que se muestra en la Figura 6-11.
3. Gire la cabeza y empújela hacia abajo (Figura 6-12) hasta que escuche un clic audible. *Asegúrese de escuchar el clic para verificar que el ensamblaje de fiaadores sea seguro.*

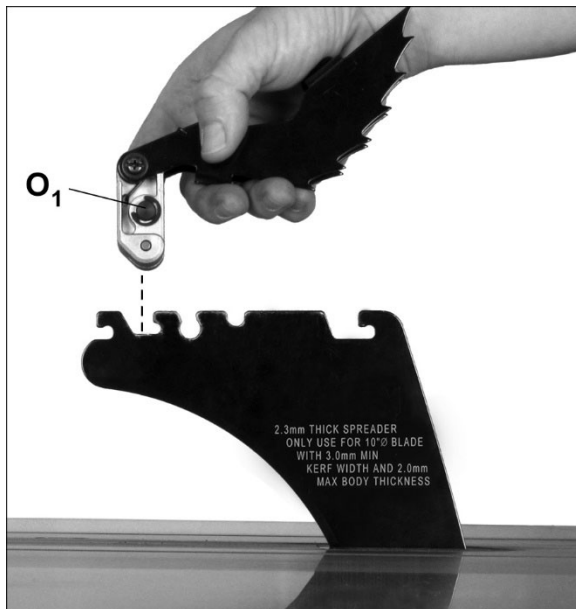


Figura 6-11

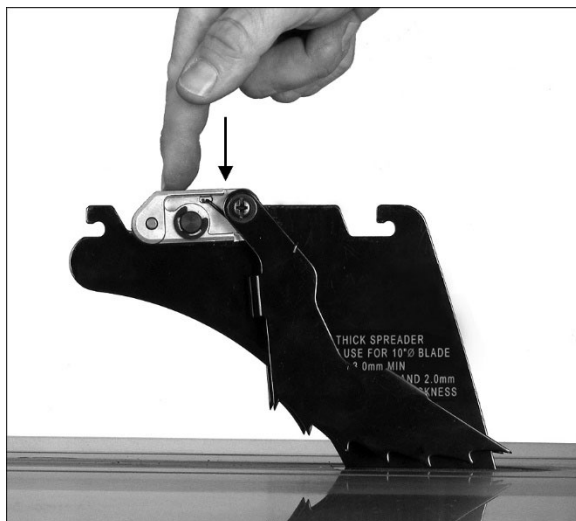


Figura 6-12

6.10.3 Protector de hoja

Vea la Figura 6-13.

1. Empuje hacia arriba las hojas de protección (E, Figura 6-12) hasta que atrapen y sujeten la clavija (F).
2. Baje el conjunto del protector de hoja sobre la cuchilla separadora y empújela hacia atrás para asentarla.
3. Apriete la perilla (G).
4. Tire hacia abajo de las hojas de protección (E) y permita que caigan sobre la mesa.
5. Invierta el procedimiento para quitar la protección.

IMPORTANTE: La perilla (G) debe estar apretada antes de operar la sierra con el protector en su lugar.

ADVERTENCIA Los conjuntos de protector, separador y fiaadores deben instalarse firmemente, y las hojas deben estar en contacto con la mesa, antes de iniciar cualquier operación de corte pasante.

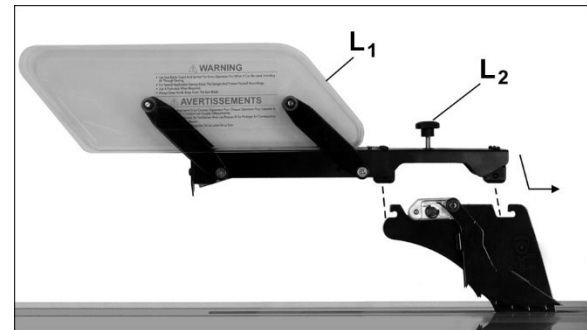


Figura 6-13

El fabricante ajusta la base de sujeción del separador y no debe ser necesario hacer ningún ajuste adicional del conjunto de protector de hoja y separador. No obstante, **el alineamiento debido es muy importante**. Antes de operar la sierra de mesa, lea la sección 8.7 *Alineación del separador*, para verificar y seguir el procedimiento de ajuste si es necesario.

6.11 Orificio para el polvo

Se recomienda encarecidamente el uso de un sistema colector de polvo (no se incluye) durante la operación de la sierra de mesa. Mantendrá el taller limpio, así como impedirá los problemas de salud potenciales debido a la inhalación de polvo.

Asegúrese de que la manguera esté empujada dentro del orificio externo para el polvo (Figura 6-11). Conecte la manguera de su sistema colector de polvo al orificio para el polvo de 4 pulg en la base de la sierra, y fije con una abrazadera de manguera de alambre (no se incluye).



Figura 6-11

7.0 Conexiones eléctricas

ADVERTENCIA Las conexiones eléctricas deben ser efectuadas por un electricista capacitado en cumplimiento con todos los códigos relevantes. La máquina debe estar debidamente puesta a tierra para impedir descargas eléctricas y posibles lesiones mortales.

No se incluye un enchufe con la PM2000B. Usted puede conectar el enchufe apropiado homologado por UL/CSA o “cablear” la máquina directamente a su panel eléctrico siempre que haya un interruptor de desconexión cerca de la máquina para el operador. Consulte los dibujos eléctricos en la *sección 15.0* para aclarar mejor la configuración de las conexiones.

Antes de conectar a la fuente de alimentación, asegúrese que el interruptor esté en la posición de *apagado*.

Se recomienda conectar las sierras de mesa monofásicas de 3 HP y trifásicas de 5 HP a un circuito especial de **20 A** con disyuntor o fusible.

La sierra monofásica de 5 HP debe conectarse a un circuito de **30 A** con disyuntor o fusible.

Si está conectado a un circuito protegido por fusibles, use un fusible de retardo marcado con una “D”. **Los códigos locales tienen prioridad con respecto a las recomendaciones.**

7.1 INSTRUCCIONES DE PUESTA A TIERRA

Esta máquina debe estar puesta a tierra. En caso de funcionamiento erróneo o rotura, la puesta a tierra proporciona una ruta de resistencia mínima para la corriente eléctrica a fin de reducir el riesgo de una descarga eléctrica. Esta herramienta está equipada con un cordón eléctrico con un conductor de puesta a tierra del equipo. No se incluye un enchufe. Se puede instalar un enchufe apropiado homologado por UL/CSA o se puede “cablear” la máquina a un panel de circuitos. Si está cableado,

asegúrese de que haya una desconexión a disposición del operador.

La conexión indebida del conductor de puesta a tierra del equipo puede provocar un riesgo de descarga eléctrica. El conductor con aislamiento que tenga una superficie exterior verde con o sin franjas amarillas es el conductor de tierra del equipo. Si es necesario reparar o reemplazar el cordón eléctrico o el enchufe, no conecte el conductor de puesta a tierra del equipo a un terminal con corriente.

ADVERTENCIA

Compruebe con un electricista o un técnico de servicio capacitados si no entienden completamente las instrucciones de puesta a tierra, o en caso de duda si la herramienta está debidamente puesta a tierra. De no cumplir con esto se pueden causar lesiones graves o mortales.

Repáre o reemplace de inmediato el cordón dañado o desgastado.

7.2 Conversión de voltaje (modelo trifásico solamente)

1. Quite la cubierta del transformador de la parte trasera de la máquina, y mueva el fusible de la posición de 230 V a 460 V en el transformador.
2. Cambie los cables de alimentación de entrada al motor para la operación a 460 voltios, según el diagrama de conexiones de la parte interior de la cubierta de la caja de empalmes del motor. Hay un diagrama similar en la *sección 15.0* de este manual (*En caso de discrepancia, el diagrama de la caja de empalmes tiene prioridad*).
3. Reemplace el relé de sobrecarga de 230 V por un relé de sobrecarga de 460 V (compra adicional, número de pieza PM2000B-2107BORA).
4. Si usa un enchufe, el enchufe de 230 V debe reemplazarse por un enchufe homologado por UL/CSA para 460 V.

7.3 Cordones de alargamiento

USE UN CORDÓN DE ALARGAMIENTO DEBIDO. Asegúrese de que el cordón de alargamiento esté en buenas condiciones. Al usar un cordón de alargamiento, asegúrese de utilizar uno suficientemente grueso para transportar la corriente requerida por su producto. Un cordón de tamaño insuficiente causará una caída de voltaje, lo que producirá una pérdida de corriente y un recalentamiento. La Tabla 3 muestra el tamaño correcto dependiendo de la longitud del cordón y de los amperios nominales de la placa de identificación. En caso de duda, use el siguiente calibre más grueso. Cuanto más pequeño sea el número de calibre, más grueso será el cordón.

Amp nom		Voltios	Largo total del cordón (pies)			
Mayor que	No mayor que		50	100	200	300
		240	Calibre AWG			
0	6		18	16	16	14
6	10		18	16	14	12
10	12		16	16	14	12
12	16		14	12	No se recomienda	

Tabla 3: recomendaciones del cordón de alargamiento

7.4 Interruptor magnético con llave de seguridad

Consulte la Figura 7-2:

Luz indicadora de corriente – El interruptor de arranque tiene una luz indicadora de corriente que está encendida **siempre que haya corriente conectada** a la sierra, no solo cuando la sierra esté en marcha. **No suponga que si no hay luz no hay corriente en la máquina.** Si la bombilla es defectuosa, no habrá ninguna indicación. Compruebe siempre antes de usar.

ADVERTENCIA No suponga que la carencia de luz significa que no hay corriente en la máquina. Compruebe siempre primero si hay corriente. De no cumplir con esto se pueden producir lesiones graves.

Arranque – Oprima el interruptor de arranque de color verde.

Cuando haya corriente conectada a la máquina, la luz verde estará siempre encendida tanto si la sierra funciona como si no lo hace.

Parada – Oprima el interruptor rojo para parar.

Reajuste – Si la sierra se para sin oprimir el botón de parada, como consecuencia de un fusible o un disyuntor disparados:

1. Oprima el botón rojo para reajustar.
2. Oprima el botón verde para volver a arrancar la máquina.

7.4.1 Llave de seguridad

El interruptor viene equipado con una llave de seguridad magnética. Cuando esté en el interruptor según se muestra en la Figura 7-2, la llave de seguridad magnética dispara un relé que permite que la máquina arranque y se pare cuando se oprimen los interruptores respectivos. Al ser magnética, la llave puede sacarse de la máquina para que no se pueda operar y puede ocultarse en un lugar seguro adhiriéndola debajo del larguero u otra superficie magnética.

Al usar la sierra, coloque la llave en la cubierta del interruptor, alineando la flecha de la llave con la flecha REMOVE (Quitar) en la cubierta. Gire después la llave de modo que la flecha se alinee con la flecha LOCK (Trabar). Esto impide que la llave de seguridad vibre y se afloje cuando la máquina esté funcionando.

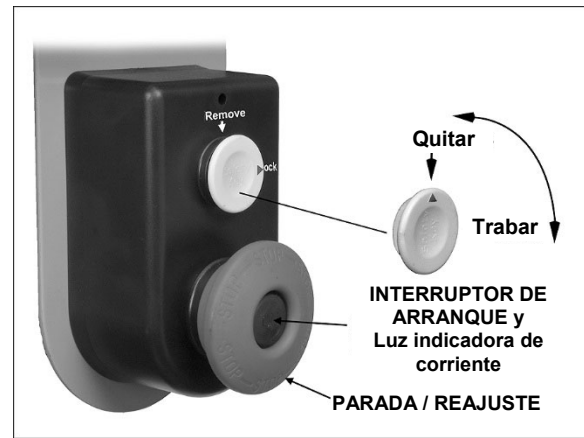


Figura 7-2

8.0 Ajustes

8.1 Herramientas requeridas para los ajustes

Llaves hexagonales: 2.5 mm, 3 mm, 4 mm
Llaves: 13 mm, 19 mm, 22 mm (o ajustable)
Regla
Escuadra

8.2 Alineamiento de la guía

Antes de usar el Accu-Fence®, verifique que esté debidamente alineado con la hoja. Consulte el manual no. M-2195079B incluido con la guía.

8.3 Subida e inclinación de la hoja

Vea la Figura 8-1.

Para subir o bajar la hoja, afloje la perilla de traba (A, Figura 8-1) y gire el volante (B) delante de la sierra hasta que se logre la altura deseada. Apriete la perilla de traba (A). La hoja debe subirse aproximadamente 1/8" por encima de la superficie superior del material que se está cortando.

Para inclinar la hoja, afloje la perilla de traba (C) y gire el volante (D) hasta que se obtenga el ángulo deseado, según se muestra en la escala de inclinación o DRO (lectura digital). Vuelva a apretar la perilla de traba (C).

La DRO, o lectura digital (E) muestra el ángulo para una colocación rápida. Vea la sección 8.10 para calibrar la DRO.

Los punteros de referencia (F) pueden colocarse en cualquier punto a lo largo de la escala; afloje la perilla y deslice el puntero a la posición, y después apriete la perilla. Estos proporcionan un punto de referencia rápido para alinear el indicador de ángulo.



Figura 8-1: ajustes de la hoja

8.4 Mecanismo de las ruedecillas orientables

Para enganchar el sistema de ruedecillas orientables, suba y baje la manija (G, Figura 8-1) unas 4 o 5 veces.

Desenganche el sistema de ruedecillas orientables girando la manija (H) hacia la izquierda. **Las ruedecillas orientables deben desengancharse antes de hacer funcionar la sierra.**

Nota: Se recomienda bajar la sierra a la posición de reposo después de moverla a la ubicación deseada. Si se deja en posición elevada durante un período prolongado, la sierra se estabilizará gradualmente hasta el suelo, lo cual es normal.

8.5 Calibre de inglete

Consulte las Figuras 8-2 y 8-3.

8.5.1 Ajuste del ángulo de inglete

El calibre de inglete tiene un ajuste de cremallera y piñón para fijar el ángulo. Para operar:

1. Deslice el calibre de inglete en la ranura de la mesa.
2. Afloje la manija de traba (H, Figura 8-2) girándola hacia la izquierda.
3. Tire hacia afuera de la perilla cargada por resorte (J) y gire la perilla hasta que el cuerpo (K) del calibre de inglete esté al ángulo deseado según se indica en la escala.
4. Apriete la manija de traba (H).

8.5.2 Ajustes de indentación

Hay indentaciones en las posiciones derecha e izquierda para 0°, 30° y 45°. En estos ajustes, suelte la perilla (J) para enganchar la indentación. Después de apriete la manija de traba (H).

Nota: No se fíe exclusivamente de las indentaciones para obtener un ajuste preciso. Después de que la varilla de tope se enganche en las posiciones de 0°, 30° y 45°, efectúe un ajuste fino con la perilla (J) si es necesario, ajustándola con el indicador de escala (L).

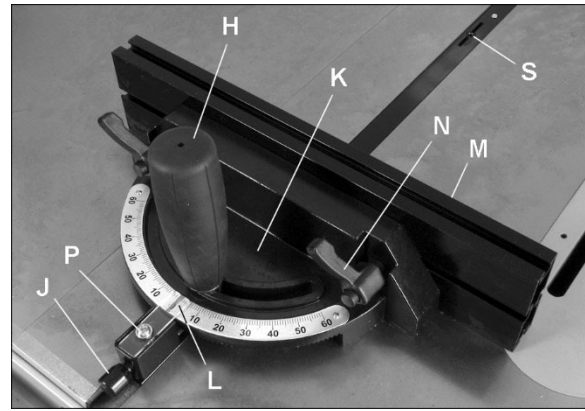


Figura 8-2

8.5.3 Guía del calibre de inglete

La guía del calibre de inglete (M, Figura 8-2) puede ajustarse deslizándola a la derecha o a la izquierda, o retirarse completamente.

Para ajustar, afloje las dos manijas de traba (N), deslice la guía y vuelva a apretar las manijas de traba. **Asegúrese de que el extremo de la guía no esté en la trayectoria de la hoja.**

NOTA: Las manijas de traba (N) son ajustables. Tire de la manija hacia afuera, gírela a una posición diferente, y después suéltela, asegurándose de que se asiente sobre el pasador.

Para quitar la guía del calibre de inglete, deslícela completamente y quite las manijas de traba (N) y la tornillería de montaje.

8.5.4 Calibración del calibre de inglete

1. Coloque el calibre de inglete en la ranura de la mesa.
2. Fije el calibre de inglete a 90° con respecto a la hoja (ajuste de 0° en la escala) aflojando la manija de traba (H, Figura 8-2) y tirando después hacia afuera de la perilla cargada por resorte (J) y girando el cuerpo (K) hasta que se indique 0° en la escala.
3. Mida la precisión del calibre de inglete con respecto a la ranura usando una escuadra.

Si es necesario hacer un ajuste:

4. Ajuste el cuerpo (K) hasta que sea perpendicular (90°) a la ranura de inglete.
5. Apriete la manija de traba (H).
6. Verifique que el indicador de escala (L) indique 0°. Si no es así, afloje el tornillo (P) y ajuste el indicador (L) hasta que indique 0°. Vuelva a apretar el tornillo (P).
7. Si el procedimiento de arriba no alinea satisfactoriamente el calibre de inglete, afloje los dos tornillos (R, Figura 8-3) de debajo del bloque de montaje y desplace el bloque según sea necesario. Vuelva a apretar los tornillos cuando haya acabado.

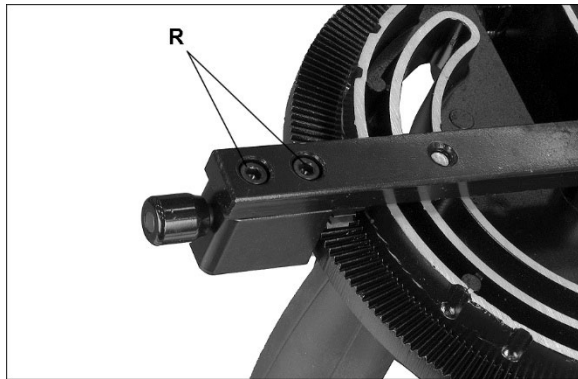


Figura 8-3

NOTA: La barra del calibre de inglete tiene dos ranuras con tornillos de presión (S, Figura 8-2). Ajuste estos tornillos de presión para eliminar cualquier juego entre barra y ranura de inglete.

8.6 Ajuste de tope de inclinación de la hoja

Los topes de inclinación de la hoja de 90°, 45° y los ajustes de elevación se han fijado en fábrica, y no deben requerir ningún ajuste inmediato.

No obstante, el operador debe confirmar los ajustes, en especial si los cortes se hacen imprecisos. Ambos topes de inclinación están en el muñón.

8.6.1 Tope de inclinación de 90°

1. Desconecte la máquina de la fuente de alimentación.
2. Asegúrese de que el inserto de la mesa esté al ras con la superficie de la mesa (*sección 6.8*).
3. Suba la hoja a la posición más alta, y coloque una escuadra sobre la mesa y contra la hoja (Figura 8-4). Asegúrese de que no hay un diente de la hoja que obstruya la lectura real.
4. Inclíne la hoja con el volante hasta que la escuadra y a hoja estén al ras.
5. Si es necesario hacer algún ajuste, afloje la tuerca en el tornillo de tope de 90° (Figura 8-5) con una llave de 13 mm, y gire el tornillo a la altura apropiada. Verifique el ajuste y vuelva a apretar la tuerca contra el muñón.
6. Compruebe la posición del puntero en la escala (Figura 8-5). Si es necesario, afloje el tornillo y ajuste el puntero a cero. Vuelva a apretar el tornillo.

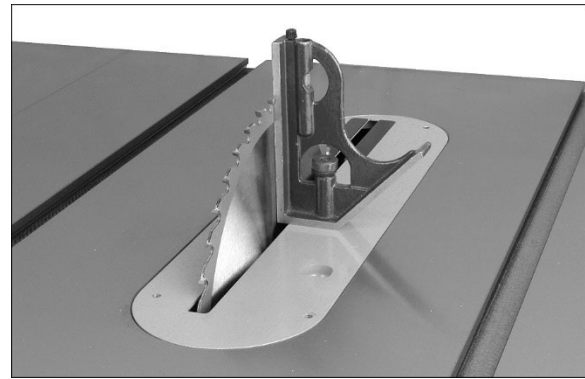


Figura 8-4

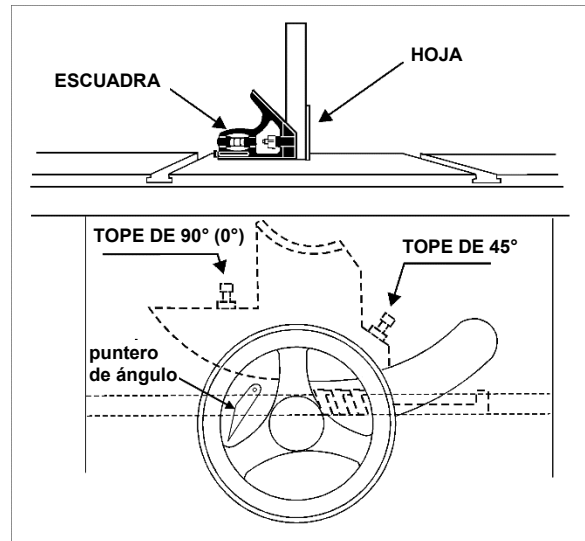


Figura 8-5: topes de la hoja

8.6.2 Tope de inclinación de 45°

Siga el mismo procedimiento que arriba, pero con la hoja inclinada a 45°, según se muestra en la Figura 8-6.

Ajuste el tope de 45° mostrado en la Figura 8-5. Confirme el ajuste, y después reajuste la tuerca.

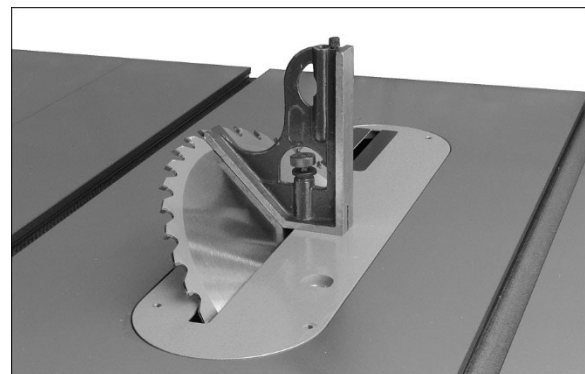


Figura 8-6

8.7 Alineación del separador

8.7.1 Alineación lateral

La hoja de la sierra y el separador deben estar tan estrechamente alineados como sea posible

(alineación lateral) para impedir el retroceso. Esto debe comprobarse durante la instalación inicial del protector de la hoja y del separador. Se debe reafirmar la alineación después de cambiar cada hoja.

Inspeccione la alineación de la forma siguiente:

1. Quite el protector de hoja y el conjunto de fiadores.
2. Coloque una regla sobre la mesa de modo que esté contra la hoja y el separador. Vea la Figura 8-7. Gire la hoja, de modo que la parte superior del diente de la hoja haga contacto con la regla.

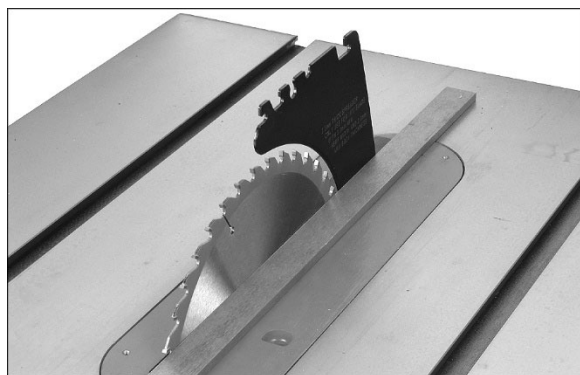


Figura 8-7

La hoja de la sierra y el separador deben estar alineados. Si es necesario hacer un ajuste:

3. Tire hacia arriba de la palanca (A, Figura 8-8) y quite el separador, tomando nota del sentido en que necesita moverse el separador para alinearse con la hoja de la sierra.
4. Use una llave hexagonal de 3 mm para efectuar ajustes en cuatro tornillos de presión (B, Figura 8-8). Ajuste cualquiera de los tornillos presión requeridos para alinear el separador con la hoja de la sierra.
5. Reinserte el separador, fije con un palanca de apriete (A) y compruebe la alineación según el paso 2.
6. Repita los pasos 3–5 hasta que la alineación sea correcta.

8.7.2 Alineación de proximidad de la hoja

El hueco entre la hoja de la sierra y el separador debe estar comprendido entre 3 y 8 mm (0.12 y 0.32 pulg). Vea la Figura 8-9.

Si es necesario hacer un ajuste, observe si el hueco entre la hoja y el separador debe aumentarse o reducirse. Después ajuste de la forma siguiente:

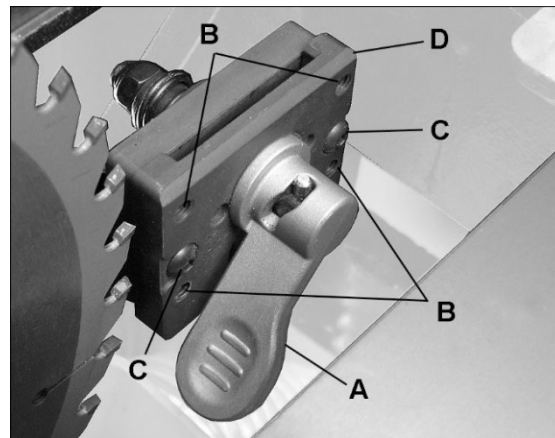


Figura 8-8

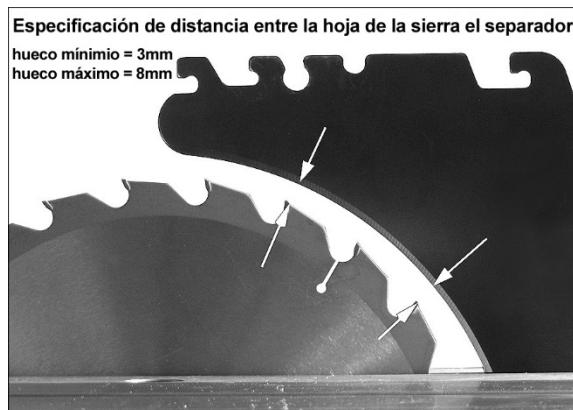


Figura 8-9

7. Quite el protector de hoja, el conjunto de fiadores, el inserto de la mesa y el separador.
8. Use una llave hexagonal de 3 mm para efectuar ajustes en cuatro tornillos de botón (C, Figura 8-8). Esto permitirá que la placa de sujeción (D) se deslice hacia adelante y hacia atrás sobre la base fija.
 Deslice la placa de sujeción (D) acercándola o alejándola de la hoja de la sierra según sea necesario. Trate de que los huecos sean lo más parejos posibles.
9. Apriete los tornillos (C).
10. Reinserte el separador; enganche la palanca (A) y compruebe que el hueco entre la hoja de la sierra y el separador esté comprendido entre 3-8 mm (Figura 8-9).

8.8 Alineación de la mesa con la hoja

Vea las Figuras 8-10 y 8-11.

La mesa ha sido alineada con la hoja por el fabricante y no debe ser necesario hacer ningún ajuste ahora. Si los cortes se hacen imprecisos, compruebe la alineación de la mesa la hoja y corrija si es necesario.

1. Desconecte la sierra de la fuente de alimentación.
2. Suba la hoja a la altura máxima.

3. Marque un diente (A, Figura 8-10) con un lápiz de cera y coloque el diente ligeramente por encima del borde superior de la mesa en la parte delantera.
4. Suba ligeramente el calibre de inglete de su ranura para servir como resalto. Use una escuadra deslizante (B) contra el lado de la barra, deslice la escala por encima hasta que haga contacto con la punta de la hoja, y trabaje la escala en posición.

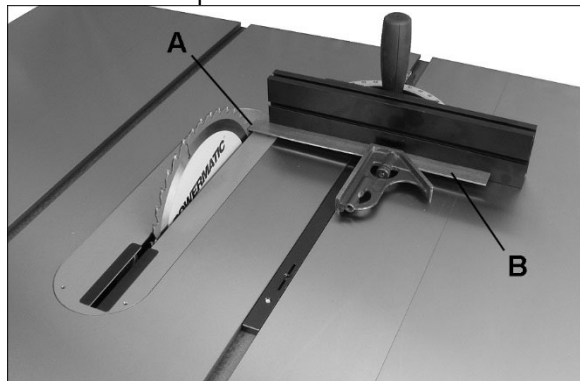


Figura 8-10

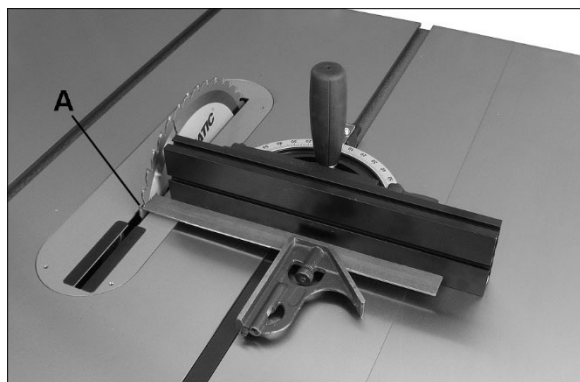


Figura 8-11

5. Gire el diente marcado (A) de modo que esté ligeramente por encima de la superficie superior de la mesa haciendo uso de la escuadra como antes para verificar que la distancia a la hoja es idéntica. Vea la Figura 8-11. Si las dos distancias no son iguales, tome nota con cuidado de la diferencia.
6. Afloje los tornillos de la mesa (*artículo 24, sección 14.1.1*), y mueva un poco la mesa a la distancia observada.
7. Vuelva a apretar firmemente los tornillos.
8. Verifique la alineación, el ajuste del puntero del ángulo, el ajuste de la guía, etc. Efectúe ajustes si es necesario.

8.9 Ajuste de la correa

8.9.1 Tensión de la correa

Vea la Figura 8-12.

Se debe inspeccionar la tensión de la correa de impulsión después de los primeros días de operación, ya que la correa puede estirarse

ligeramente durante el uso inicial; inspecciónela también periódicamente después.

Para apretar la correa:

1. Desconecte la máquina de la fuente de alimentación.
2. Afloje el tornillo (C, Figura 8-12) con una llave de 17 mm.
3. Afloje ligeramente la tuerca (D) con una llave de 1-1/4" (o ajustable).
4. Empuje el motor hacia la derecha y apriete el tornillo (C) para tensar la correa. Vuelva a apretar la tuerca (D). Verifique la tensión apropiada en la correa haciendo fuerza sobre el punto medio entre poleas; la desviación o flecha debe ser de aproximadamente 1/2 pulg.

Si la correa muestra indicios de desgaste, deshilachado, grietas, etc. debe reemplazarse de la forma siguiente.

8.9.2 Reemplazo de la correa

Vea la Figura 8-12.

1. Baje el muñón por completo.
2. Afloje el tornillo (C) con una llave de 17 mm.
3. Afloje ligeramente la tuerca (D) con una llave de 1-1/4" (o ajustable).
4. Pivote el motor hacia la izquierda para aliviar la tensión.
5. Reemplace la correa.
6. Empuje el motor hacia la derecha y apriete el tornillo (C) para tensar la nueva correa. Vuelva a apretar la tuerca (D). Verifique la tensión apropiada en la correa haciendo fuerza sobre el punto medio entre poleas; la desviación o flecha debe ser de aproximadamente 1/2 pulg.

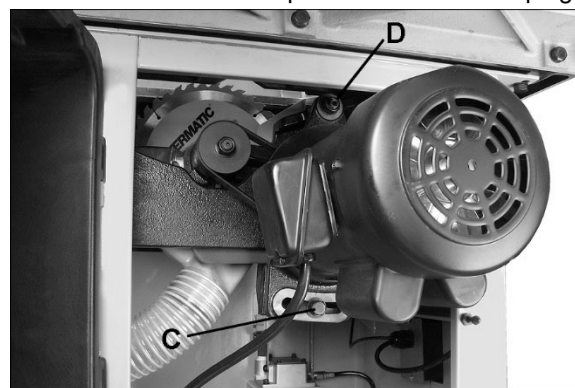


Figura 8-12

8.10 Calibración de la DRO y operación

Cuando se haya verificado que los topes de inclinación de la hoja de 0° y 45° son correctos, la DRO (lectura digital) puede calibrarse para coincidir con los ajustes.

La *sección 8.10.1* describe el procedimiento de calibración general. La *sección 8.10.2* describe los

procedimientos de calibración obligatorios si se reemplaza el sensor de PCB en la sierra de mesa.

8.10.1 Calibración general

1. Los topes de inclinación de la hoja deben fijarse correctamente. Vea la sección 8.6.
2. Conecte la máquina a la fuente de alimentación. Se iluminará la DRO.
3. Si la hoja de la sierra está relativamente cerca de 0°, fije la hoja exactamente en 0° y oprima el botón "SET 0". La lectura mostrará 0.00. Vea la Figura 8-13.

Si la hoja de la sierra está relativamente cerca de 45°, fije la hoja exactamente en 45° y oprima el botón "SET 45". La lectura mostrará 45.0.

4. La calibración está completa.

NOTA: Si se desconecta la corriente, la lectura digital se reajustará a 0.00. Cuando se restablece la corriente, repita el procedimiento de arriba.



Figura 8-13

8.10.2 Calibración del PCB de reemplazo

1. Los topes de inclinación de la hoja deben fijarse correctamente. Vea la sección 8.6.
2. Conecte la máquina a la fuente de alimentación. Se iluminará la DRO.
3. Incline la hoja de la sierra a 0°.
4. Oprima sin soltar ambos botones SET hasta que la pantalla muestre "---" (Figura 8-14).
5. Suelte los botones y la pantalla mostrará "00.0".
6. La calibración a 0° está completa. (Si no se muestra "00.0", desconecte la corriente, reconecte y repita el procedimiento de arriba).
7. Incline la hoja a 45°.
8. Oprima sin soltar ambos botones SET hasta que la pantalla muestre "---" (Figura 8-14).
9. Suelte los botones y la pantalla mostrará "45.0".
10. La calibración a 45° está completa. (Si no se muestra "45.0", desconecte la corriente, reconecte y repita el procedimiento de arriba).



Figura 8-14

9.0 Operaciones

Familiarícese con la posición y operación de todos los controles y ajustes y el uso de accesorios como el calibre de inglete y la guía de corte.

Nota: Las figuras siguientes son de naturaleza general y es posible que no muestren su modelo de sierra particular.

9.1 Prevención de retrocesos

Se pueden producir lesiones graves debidas a retrocesos cuando una pieza de atasca en la hoja de la sierra o entre la hoja y la guía de corte u otro objeto fijo. Este atasco puede hacer que la pieza se levante y sea arrojada hacia el operador.

A continuación, se indican las condiciones que puede causar retrocesos:

- Confinado de la pieza al efectuar cortes transversales o rasgados.
- Al soltar la pieza antes de completar la operación o no empujarla completamente hasta pasada la hoja de la sierra.
- Al no usar un divisor/separador cuando se hace un corte transversal o no se mantiene la alineación del divisor/separador con la hoja de la sierra.
- Empleo de una hoja de sierra desafilada.
- Al no mantener la alineación de la guía de corte, de modo que tienda a inclinarse acercándose en vez de alejándose de la hoja de la sierra de la parte delantera a la trasera.
- Al aplicar una fuerza de alimentación al rasgar hasta la sección de corte (libre) de la pieza en vez de a la sección entre la hoja de la sierra y la guía.
- El rasgado de madera que esté retorcida (no plana), o no tenga un borde recto, o tenga vetas torcidas.

Para minimizar o prevenir lesiones de retrocesos:

- Evite las condiciones indicadas arriba.
- Lleve una máscara de seguridad, anteojos o gafas de seguridad.
- No use el calibre de inglete ni la guía de corte en la misma operación a menos que se hayan hecho preparativos mediante el

empleo de un tablero exterior en la guía, para dejar que la sección de corte de la pieza se suelte antes de que empiece el corte real (Vea la Figura 9-8).

- ❑ A medida que se usa la máquina, se debe comprobar periódicamente la operación de los fiadores antirretroceso (Figura 9-1). Si los fiadores no detienen el movimiento inverso de una pieza, reafile todas las puntas.

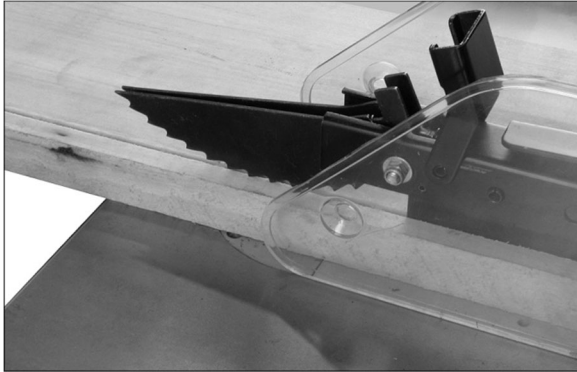


Figura 9-1

- ❑ Siempre que sea posible, mantenga la cara y el cuerpo fuera de la línea de retrocesos potenciales, incluidos arranque o parada de la máquina.
- ❑ Las herramientas de corte desafiladas, mal fijadas, indebidas o indebidamente afiladas, y las herramientas de corte con goma o resina adheridas pueden causar accidentes. No use nunca una hoja de sierra rajada. El uso de una herramienta de corte afilada, bien mantenida y correcta para la operación evitará lesiones.
- ❑ Sostenga la pieza debidamente y sujétela firmemente contra el calibre o la guía. Use una varilla de empuje o bloque de empuje al rasgar madera corta, estrecha (de 6" de ancho o menos), o delgada. Use un retenedor de bloque de empuje o calibre de inglete al hacer juntas de ranuras o molduras.
- ❑ No use nunca la guía como tope de longitud al hacer cortes transversales. No sujete ni toque el extremo libre o sección de corte de una pieza. En operaciones de aserrado pasante, la sección de corte NO debe confinarse.
- ❑ Mantenga siempre las manos fuera de la línea de la hoja de la sierra y no introduzca nunca el brazo hasta la parte trasera de la hoja de corte con ninguna mano para sujetar la pieza.
- ❑ Los rasgados biselados deben hacerse siempre con la guía en el lado derecho de la hoja de la sierra para que la hoja se incline alejándose de la guía y minimice la posibilidad de que la pieza se atasque y se produzca un retroceso.

9.2 Aserrado de rasgado

Rasgar es alimentar la pieza con la veta en la hoja de la sierra usando la guía u otro dispositivo de colocación como guía para asegurar el ancho de corte deseado (Figura 9-2).

ADVERTENCIA Antes de iniciar un corte de rasgado, verifique que la guía esté fijamente sujeta y debidamente alineada.

- ❑ No rasgue nunca a mano libre el calibre de inglete en combinación con la guía.
- ❑ No rasgue nunca piezas más cortas que el diámetro de la hoja de la sierra.
- ❑ No introduzca el brazo por detrás de la hoja con ninguna de las manos para retener o retirar la pieza cortada con la hoja de la sierra en movimiento.



Figura 9-2

Use siempre el protector de hoja, el divisor/separador y los fiadores antirretroceso. Asegúrese de que el divisor/separador esté debidamente alineado. Cuando se corte madera a lo largo de la veta, el ancho de corte tiende a cerrarse y atascarse en la hoja y se pueden producir retrocesos.

Nota: Hay una calcomanía de advertencia pegada al protector para hacer recordar al operador algunos procedimientos de seguridad básicos.

La guía de corte debe fijarse para el ancho de corte usando la escala en el larguero delantero, o midiendo la distancia entre la hoja (A) y la guía (B). Apártese de la línea de la hoja de la sierra y la pieza para evitar que salgan proyectados aserrín y astillas de la hoja o se pueda producir un retroceso.

Si la pieza no tiene un borde recto, clave un tablero auxiliar de borde recto para proporcionar uno contra la guía de corte. Para cortar debidamente, el tablero debe hacer un buen contacto con la mesa. No trate de cortar tableros alabeados.

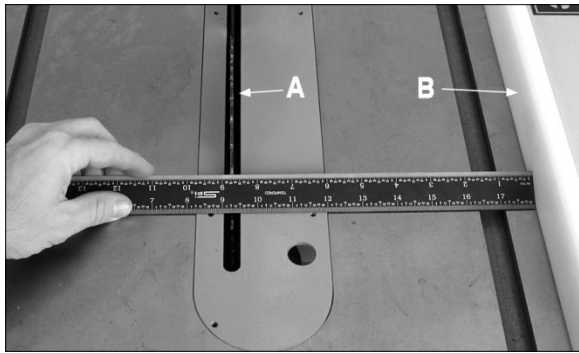


Figura 9-3

Al rasgar, use una mano para sujetar el tablero hacia abajo contra la guía o el dispositivo, y la otra para empujarla hacia la hoja entre la hoja y la guía. Si la pieza es más estrecha que 6" o más corta que 12", use una varilla de empuje o un bloque de empuje para empujarla entre la guía y la hoja (Figura 9-4). No empuje nunca en un lugar de modo que la mano que empuje quede alineada con la hoja. Mueva la mano que sirve para retener una distancia segura desde la hoja a medida que se completa el corte.

Para un rasgado muy estrecho donde no se pueda usar una varilla de empuje, use un bloque de empuje o una guía de corte auxiliar. Empuje siempre la pieza completamente pasada la hoja al final de un corte para minimizar la posibilidad de un retroceso.

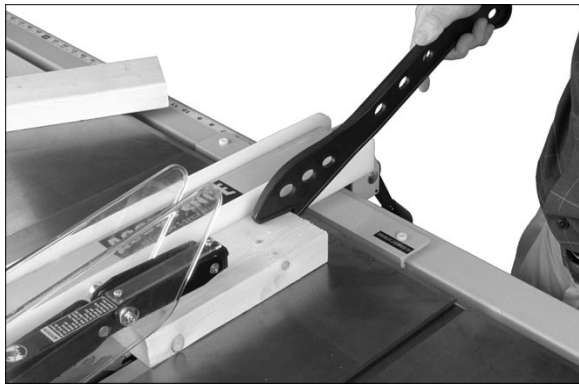


Figura 9-4

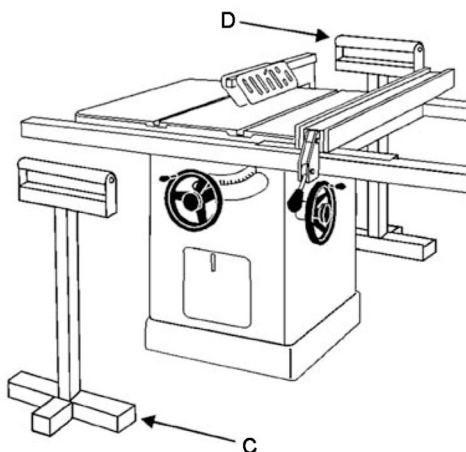


Figura 9-5

Al rasgar tableros largos, use un soporte en la parte delantera de la mesa (C, Figura 9-5), como pedestal rodante, y un soporte de cola en la parte trasera (D).

No use nunca la guía de corte más allá del punto en que el carro esté al ras con el extremo de los largueros.

Despliegue la hoja aproximadamente 1/8" por encima de la parte de arriba de la pieza. Exponer la hoja por encima de este punto puede ser peligroso.

9.3 Reaserrado

El reaserrado es una operación de rasgado en la que se cortan tableros gruesos produciendo otros más delgados. Nota: La herramienta ideal para reaserrar es una sierra de cinta.

ADVERTENCIA Si se usa la sierra de mesa para reaserrar, tenga cuidado al usar una guía auxiliar, reasierre la barrera o dispositivos similares para estabilizar la pieza y dar seguridad al operador.

Los tableros estrechos de hasta 3" pueden volver a serrarse en una pasada. Los tableros más anchos de hasta 6" pueden volver a serrarse en dos pasadas.

Al reaserrar tableros más anchos, ajuste la altura de la hoja para no superponer los dos cortes 1/2" según se muestra en la Figura 9-6. Un corte demasiado profundo puede producir atascos y posibles retrocesos en el segundo corte. Use siempre el mismo lado del tablero contra la guía para ambos cortes.

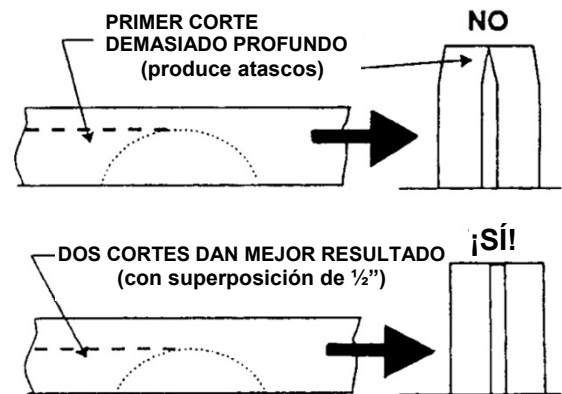


Figura 9-6

9.4 Corte transversal

Un corte transversal es un corte producido cuando se alimenta la pieza a través de la veta en la hoja de la sierra usando el calibre de inglete para sujetar y colocar la pieza (Figura 9-7).

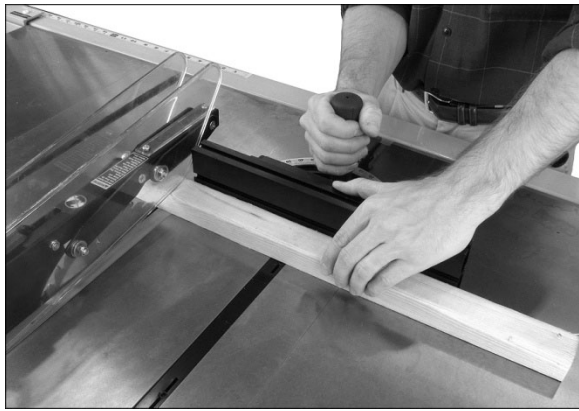


Figura 9-7

El corte transversal no debe hacerse **nunca** a mano libre ni se debe usar la guía como un tope de extremo a menos que se sujete un bloque auxiliar (E, Figura 9-8) a la parte delantera del área de la hoja, de modo que la pieza de corte se suelte del bloque antes de iniciar el corte.

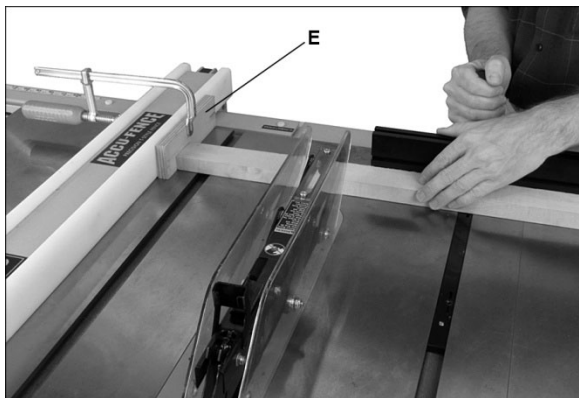


Figura 9-8

No se deben usar toques de longitud en el extremo libre de la pieza, en el área de corte.

No corte transversalmente piezas más cortas que 6". Antes de iniciar un corte, asegúrese de que el calibre de inglete esté debidamente sujeto al ángulo deseado. Sujete firmemente la pieza contra la mesa y contra el calibre de inglete. Use **siempre** el protector de la sierra y el separador y asegúrese de que el separador esté debidamente alineado.

Para hacer cortes transversales de 90 grados, la mayoría de los operadores prefieren usar la ranura del calibre de inglete del lado izquierdo. Al usarla en esta posición, sujete la pieza contra el calibre con la mano izquierda y use la mano derecha para hacer avanzar la pieza. Al usar la ranura derecha para el corte transversal del inglete y compuesto de modo que la hoja se incline *alejándose* del calibre, las posiciones de las manos se invierten.

Al usar el calibre de inglete, la pieza debe estar firmemente sujeta y hacerse avanzar suavemente a una velocidad lenta. Si no se sujeta firmemente la pieza, puede vibrar haciendo que se atasque en la hoja y desafilé los dientes de la sierra.

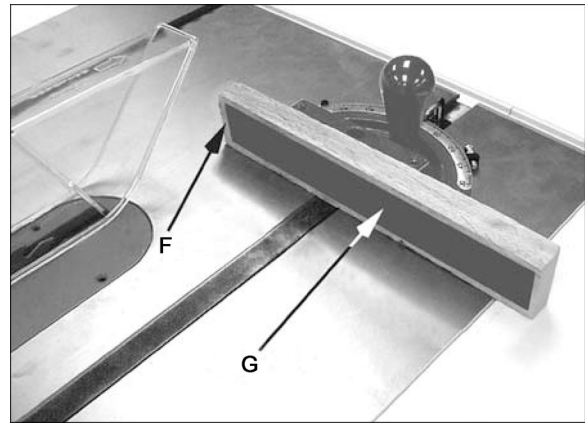


Figura 9-9

Para aumentar la efectividad del calibre de inglete en el corte transversal, algunos usuarios montan una cara de extensión de madera auxiliar (F, Figura 9-9) con una tira pegada de papel de lija (G) para ayudar a sujetar la pieza.

Proporcione un soporte auxiliar para cualquier pieza que se extienda más allá de la superficie de arriba de la mesa con una tendencia a combarse y levántela de la mesa.

Despliegue la hoja aproximadamente 1/8" por encima de la parte de arriba de la pieza. Exponer la hoja por encima de este punto puede ser peligroso.

9.5 Operaciones de biselado e inglete

Corte biselado – Un corte biselado es un tipo especial de operación donde la hoja de la sierra se inclina a un ángulo menor que 90 grados con respecto a la parte superior de la mesa (Figura 9-10). Las operaciones se realizan de la misma manera que el rasgado y corte transversal, excepto que la guía o calibre de inglete deben usarse en el lado derecho de la hoja para dar seguridad adicional y evitar un atasco entre la hoja y la superficie superior de la mesa. Al biselar con el calibre de inglete, la pieza debe sujetarse firmemente para evitar el movimiento lento.

PRECAUCIÓN No use nunca un inserto de holgura cero con la sierra de la hoja en posición inclinada.



Figura 9-10

Cortes en inglete – Los cortes transversales hechos en ángulo con respecto al borde de la pieza se llaman ingletes (Figura 9-11). Fije el calibre de inglete al ángulo requerido, y efectúe el corte igual que si fuera un corte transversal normal excepto que la pieza debe sujetarse firmemente para impedir un movimiento lento.



Figura 9-11

Nota: Al efectuar ingletes compuestos (con la hoja inclinada), use el calibre de inglete en la ranura **derecha** para dar mayor holgura para la mano y seguridad.

Despliegue la hoja solamente 1/8" por encima de la parte de arriba de la pieza. Exponer la hoja por encima de este punto puede ser peligroso.

9.6 Corte de juntas de ranura

Consiste en cortar una muesca ancha en una pieza o cortar un rebajo a lo largo del borde de una pieza. Es necesario un inserto de juntas de ranura (accesorio opcional, mostrado en la Figura 9-12) para este tipo de operación.

PRECAUCIÓN No use el inserto de la mesa estándar para operaciones de juntas de ranura.



Figura 9-12

El proceso de cortar muescas de 1/8" a 13/16" en piezas se logra usando un conjunto de hojas de juntas de ranura apiladas o una hoja tipo ajustable montada en el árbol de la hoja. Al usar varias combinaciones de hojas de juntas de ranura apiladas o ajustar debidamente el indicador en una hoja ajustable, se puede hacer un ancho de junta de ranura exacto. Esto es muy útil para hacer estantes, juntas, espigas, etc.

El protector, el separador y los fiadores antirretroceso suministrados con la sierra deben usarse para todas las operaciones de corte donde se puedan usar.

Al efectuar operaciones donde no se pueda usar el protector, como en algunas operaciones de juntas de ranura, se deben tomar precauciones de seguridad alternativas. Estas incluyen varillas de empuje, tableros de presión, piezas de relleno, aparatos y cualquier otro dispositivo que pueda utilizarse para mantener las manos del operador alejadas de la hoja.

Al completar la operación de retirada del protector, se debe volver a colocar todo el conjunto de protector en la máquina en su orden de trabajo apropiado.

PRECAUCIÓN No use nunca una cabeza de junta de ranura en una posición inclinada. No opere nunca la sierra sin el protector de hoja, separador y fiadores de antirretroceso para operaciones donde puedan usarse.

10.0 Dispositivos de seguridad

10.1 Tablero de presión

Los tableros de presión, o “peines,” pueden comprarse en la mayoría de las ferreterías, o los puede hacer el operador para adaptarse a ciertas aplicaciones. El tablero de presión (Figura 9-13) debe hacerse de madera dura de vetas rectas de aproximadamente 1" de espesor y 4" a 8" de ancho dependiendo del tamaño de la máquina. La longitud se desarrolla según el uso debido.

Los tableros de presión pueden sujetarse a la mesa o guía de corte usando prensas en C.- De forma alternativa, los agujeros perforados y atornillados en la superficie de la mesa permiten el uso de tuercas de mariposa y arandelas como método de sujeción. Si se usa este método de sujeción, proporcione ranuras en el tablero de presión para el ajuste. (La ilustración muestra un método de sujetar y usar el tablero de presión como un peine vertical. La aplicación horizontal es esencialmente la misma excepto que el accesorio es la parte superior de la mesa).

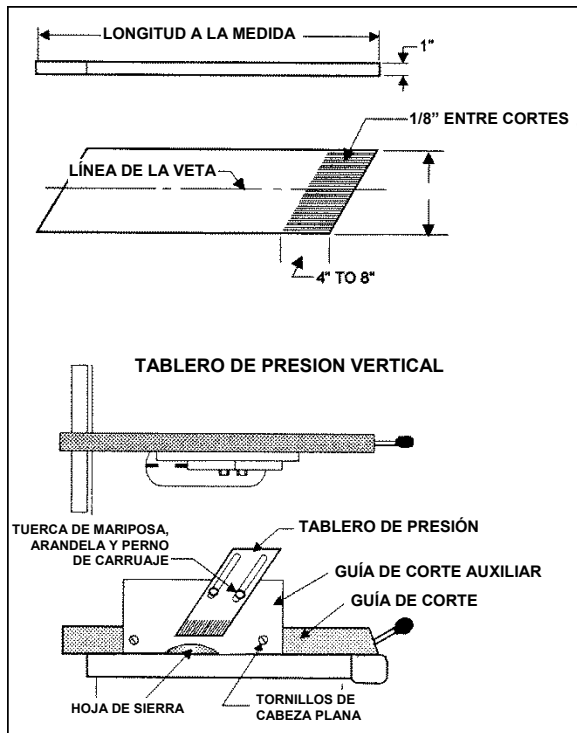


Figura 9-13: tablero de presión

10.2 Varilla de empuje y bloque de empuje

El uso de un bloque de empuje o varilla de empuje proporciona un nivel adicional de seguridad para el operador. Se incluye una varilla de empuje con su sierra de mesa, pero tal vez desee hacer otras personalizadas para distintos procedimientos de corte. Las plantillas en las Figuras 9-14 y 9-15 ofrecen detalles de construcción.

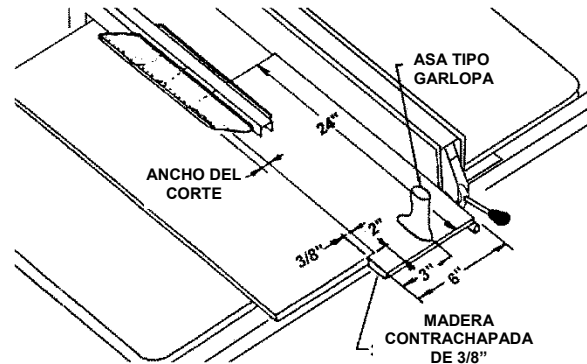


Figura 9-14: plantilla de bloque de empuje

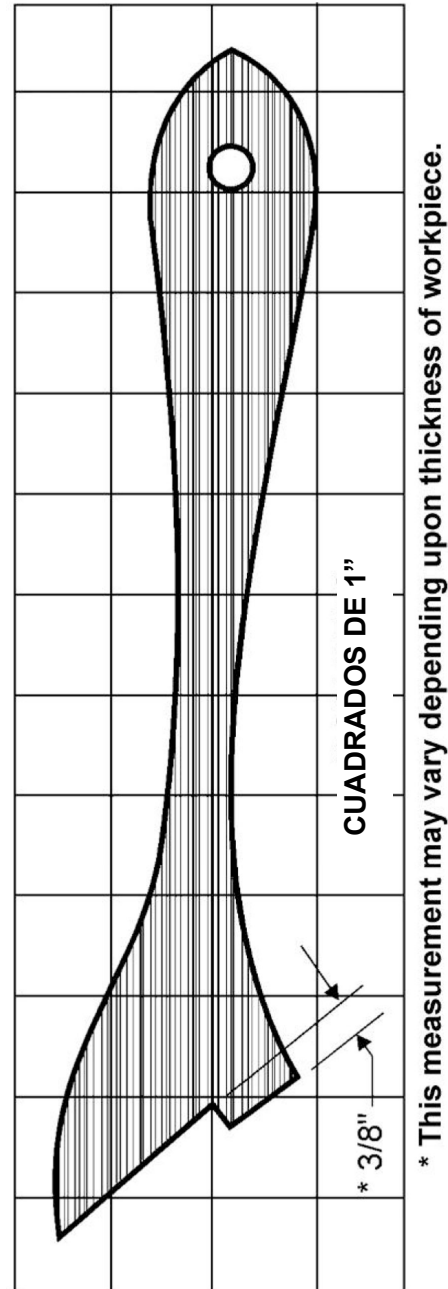


Figura 9-15: plantilla de varilla de empuje

11.0 Mantenimiento del usuario



ADVERTENCIA Desconecte siempre la corriente de la máquina antes de realizar el mantenimiento. De no cumplir con esto se pueden producir lesiones graves.

11.1 Inspección general

Sepa siempre cuál es el estado de su máquina. Compruebe de forma rutinaria el estado de los artículos siguientes y repare o reemplace según sea necesario:

- Pernos de montaje
- Interruptor de encendido
- Hoja de sierra
- Conjunto de protector de hoja

11.2 Limpieza

Nota: El plan de mantenimiento siguiente supone que la sierra se está usando a diario.

DIARIAMENTE:

- Limpie la superficie de la mesa paño y las ranuras en T con un paño.
- Limpie al alquitrán y la resina de la hoja de la sierra.

SEMANALMENTE:

- La superficie de la mesa debe mantenerse limpia y sin herrumbre para obtener los mejores resultados. Para facilitar esto, aplique una capa de pasta de cera a la superficie. De forma alternativa, se puede disponer de protectores de rociado comerciales de ferreterías locales. Un buen protector debe proteger contra la formación de óxido en la superficie sin manchar las piezas.
- Limpie la caja del ventilador del motor con aire comprimido.
- Limpie los largueros de la guía con un lubricante de silicona seco.

PERIÓDICAMENTE:

- Mantenga limpios el interior del gabinete y el muñón. Limpie el polvo y las astillas con una aspiradora.
- Compruebe si hay un juego excesivo al inclinar y subir el mecanismo y en el árbol de la sierra, y ajuste según sea necesario.
- Compruebe la correa para ver si tiene la tensión debida, y si tiene indicios de desgaste, rajaduras, deshilachado, etc.

11.3 Lubricación

- Engrase las áreas del engranaje sinfin inclinable, engranaje sinfin de subida y muñón con una grasa no endurecedora de buena calidad.
- Compruebe todos los ajustes después de lubricar, como la acción del volante, los topes de hoja, el ajuste de la DRO, etc.

11.4 Retirada del árbol/cojinete del árbol

El árbol de sierra se *ajusta a presión* en la caja del brazo de subida de la sierra. Un técnico de servicio capacitado debe quitar el árbol para reemplazar el cojinete, en caso de que sea necesario. Póngase en contacto con el departamento de servicio al cliente de Powermatic.

11.5 Servicio adicional

Un técnico de reparación autorizado debe realizar el servicio adicional.

12.0 Accesorios opcionales

Estos artículos accesorios (comprados por separado) pueden mejorar la funcionalidad de su sierra de mesa PM2000B. Póngase en contacto con su distribuidor para pedir, o llamar a Powermatic al número de teléfono de la cubierta. Puede disponerse de accesorios adicionales; vea nuestro sitio web.



1791788B – Inserto para juntas de ranura



1791786B – Inserto de holgura cero



1791791C – Separador de ancho de corte delgado de alto perfil de 0.079" (2.0 mm) de espesor



1791792B – Separador de ancho de corte grueso de bajo perfil de 0.079" (2.0 mm) de espesor

13.0 Resolución de problemas Sierra de gabinete PM2000B

13.1 Problemas del motor y eléctricos

Síntoma	Causa probable	Solución
La sierra no arranca.	No hay corriente de entrada.	Compruebe la conexión del enchufe.
	Falta la llave de seguridad del interruptor.	Instale la llave de seguridad.
	Bajo voltaje.	Compruebe si el voltaje de la línea de alimentación es apropiado.
	Circuito abierto en el motor o conexión suelta.	Inspeccione todas las conexiones del motor para ver si hay conexiones sueltas o abiertas.
	Cordón de alimentación dañado.	Reemplace el cordón.
La sierra no arranca: el fusible se funde o el disyuntor se dispara.	Cortocircuito en el cordón o el enchufe de la línea de alimentación.	Inspeccione el cordón o el enchufe para ver si el aislamiento está dañado y los cables cortocircuitados.
	Cortocircuito en el motor o conexiones sueltas.	Inspeccione todas las conexiones del motor para ver si hay terminales sueltos o cortocircuitados o aislamiento desgastado.
	Fusibles o disyuntores incorrectos en la línea de alimentación.	Instale fusibles o disyuntores correctos.
El motor arranca lentamente o no alcanza su velocidad máxima.	Bajo voltaje.	Solicite la comprobación de voltaje de la compañía eléctrica y corrija la condición de bajo voltaje.
	Línea eléctrica sobrecargada.	Condición correcta de sobrecarga. Use un circuito especial para la sierra de mesa.
	Cables de tamaños menores en el sistema de alimentación eléctrica.	Aumente el tamaño de los cables de alimentación.
	El interruptor centrífugo no se conecta.	Reemplace el interruptor centrífugo (personal capacitado solamente).
	Funcionamiento defectuoso del motor.	Pida a un inspector capacitado que compruebe el motor. Repare o reemplace.
El motor se recalienta.	Motor sobrecargado.	Reduzca la carga en el motor.
	Enfriamiento indebido del motor; falta de circulación de aire.	Limpie el aserrín de las áreas del ventilador y conducto del motor.
El motor se cala, lo que resulta en fusibles fundidos o circuitos disparados.	Motor sobrecargado.	Reduzca la carga en el motor.
	Cortocircuito en el motor o conexiones sueltas.	Inspeccione todas las conexiones del motor para ver si hay terminales sueltos o cortocircuitados o aislamiento desgastado.
	Bajo voltaje.	Corrija las condiciones de bajo voltaje.
	Fusibles o disyuntores incorrectos en la línea de alimentación.	Instale fusibles o disyuntores correctos.

Tabla 4

13.2 Problemas mecánicos y eléctricos

El motor se cala o la pieza se atasca o se quema.	Alimentación excesiva.	Reduzca la alimentación.
	Hoja desafilada o incorrecta.	Reemplace la hoja; use un tipo apropiado de hoja para el corte necesitado.
	Ranura de inglete desalineada.	Realinee la mesa con la hoja.
	Guía de corte desalineada.	Realinee la guía de corte (vea el manual de Accu-Fence).
	Funcionamiento defectuoso del motor.	Pida a un inspector capacitado que compruebe el motor. Repare o reemplace.
La máquina disminuye su velocidad o se cala al operar.	Aplicación de demasiada presión sobre la pieza.	Alimente la pieza con más lentitud.
	La correa trapecial de poli está aflojada.	Apriete la correa.
Ruido repetitivo de gran volumen procedente de la máquina.	Faltan tornillos de presión o chavetas de la polea o están aflojados.	Inspeccione las chavetas y los tornillos de presión. Reemplace o apriete si es necesario.
	El ventilador del motor golpea la cubierta.	Apriete el ventilador o calce la cubierta.
	La correa trapecial es defectuosa.	Reemplace la correa trapecial.
Vibraciones excesivas	Las perillas de traba de inclinación o subida no están apretadas.	Apriete las perillas de traba en los volantes
	El sistema de ruedecillas orientables sigue conectado.	Desconecte las ruedecillas orientables antes de operar la sierra.
	La máquina no está apoyada de forma pareja sobre el piso.	Asegúrese de que el piso esté horizontal; use calzos debajo del gabinete si es necesario.
	Hoja desequilibrada.	Reemplace la hoja.
	Polea suelta.	Compruebe la polea del motor y la polea del huso. Apriete los tornillos de presión si es necesario.
	Correa desgastada, agrietada o deshilachada.	Reemplace la correa.
	Funcionamiento defectuoso del motor.	Pida a un inspector capacitado que compruebe el motor. Repare o reemplace.
La hoja no está alineada con la ranura de inglete ni la guía está alineada con la hoja.	La hoja está alabeada.	Reemplace la hoja de la sierra.
	La parte superior de la mesa no es paralela a la hoja.	Ajuste la mesa paralela a la hoja.
	La guía no es paralela a la hoja.	Ajuste la guía paralela a la hoja.
La hoja no llega a 90 grados.	El tope de 90 grados está desajustado.	Ajuste el tope de 90 grados.
Corta sin cuadrar al cortar de modo transversal.	Calibre de inglete desajustado.	Reajuste los topes y el puntero en el calibre.
	Ranura de inglete desalineada.	Realinee la mesa con la hoja.
Los cortes no son precisos a 90 o 45 grados.	Los tornillos de tope no están debidamente ajustados.	Reajuste los tornillos.
Es difícil girar el volante de inclinación o subida.	No se ha soltado la perilla de traba.	Afloje la perilla de traba.
	Segmento de sinfín y muñón empastado con aserrín y alquitrán.	Limpie y reengrase el sinfín y el segmento.
	Segmento de sinfín y muñón desalineado.	Realinee el sinfín con el segmento (personal capacitado).

Tabla 5

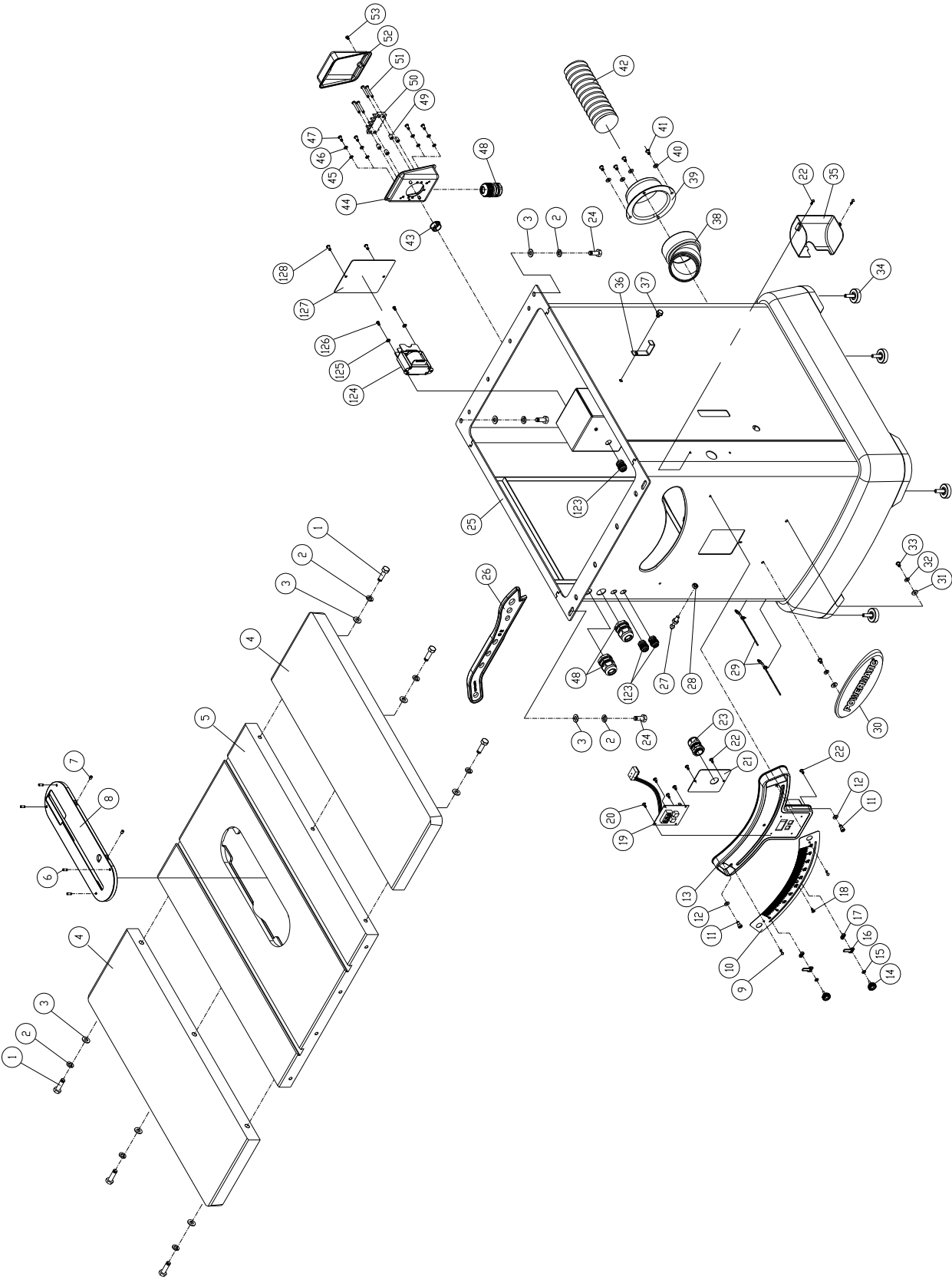
14.0 Piezas de repuesto

Las piezas de repuesto aparecen indicadas en las páginas siguientes. Para pedir piezas o comunicarse con nuestro departamento de servicio, llame al 1-800-274-6848 de lunes a viernes, Hora Central (vea nuestras horas comerciales en nuestro sitio web, www.powermatic.com). Tener el número de modelo y el número de serie de su máquina disponible cuando llame nos permitirá servirle de forma rápida y precisa.

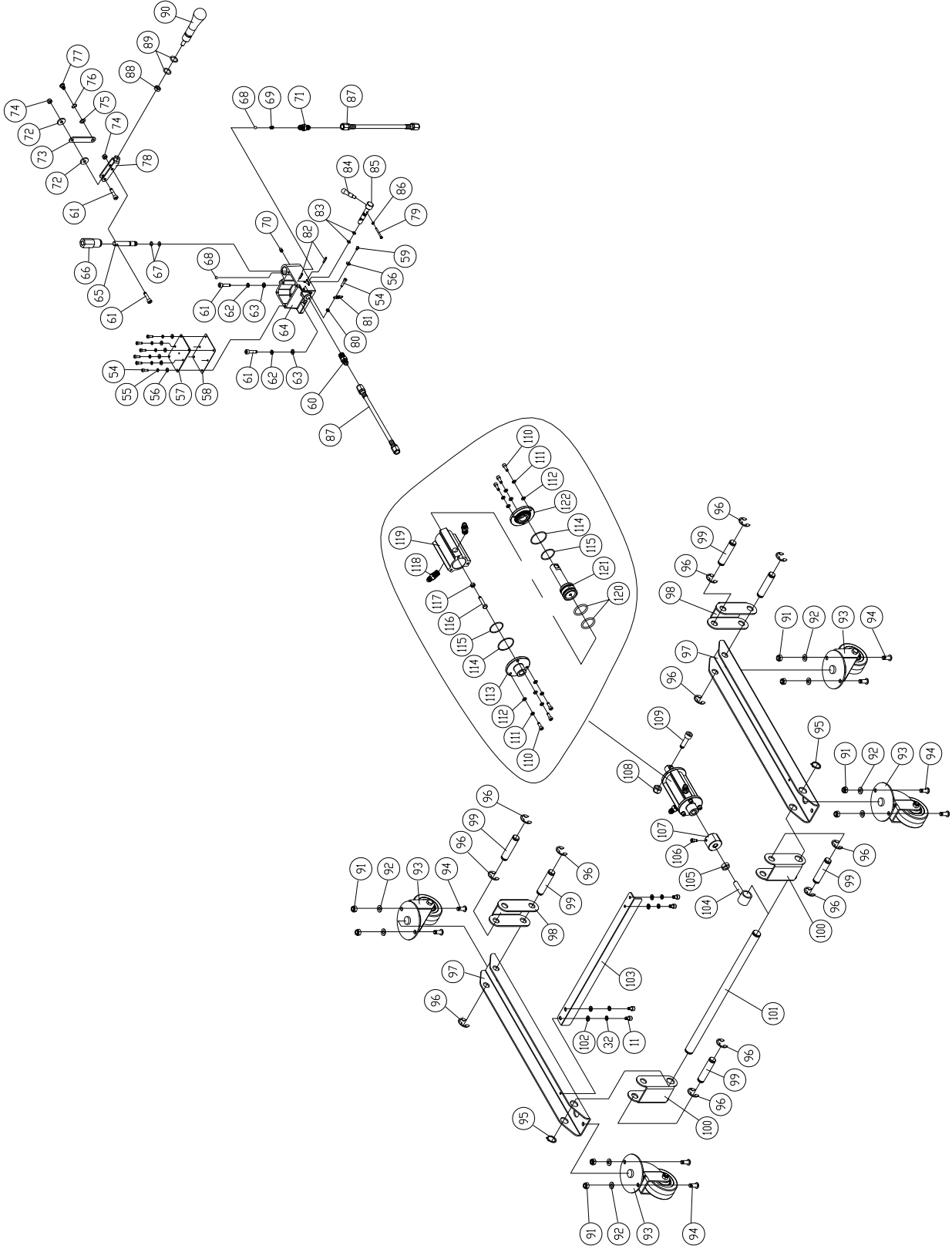
Se pueden encontrar piezas no propietarias, como sujetadores, en ferreterías, o se pueden pedir a Powermatic.

Algunas piezas se muestran como referencia solamente, y tal vez no estén disponibles individualmente.

14.1.1 PM2000B Conjunto de mesa y gabinete I – Vista desarrollada



14.1.2 PM2000B Conjunto de mesa y gabinete II – Vista desarrollada



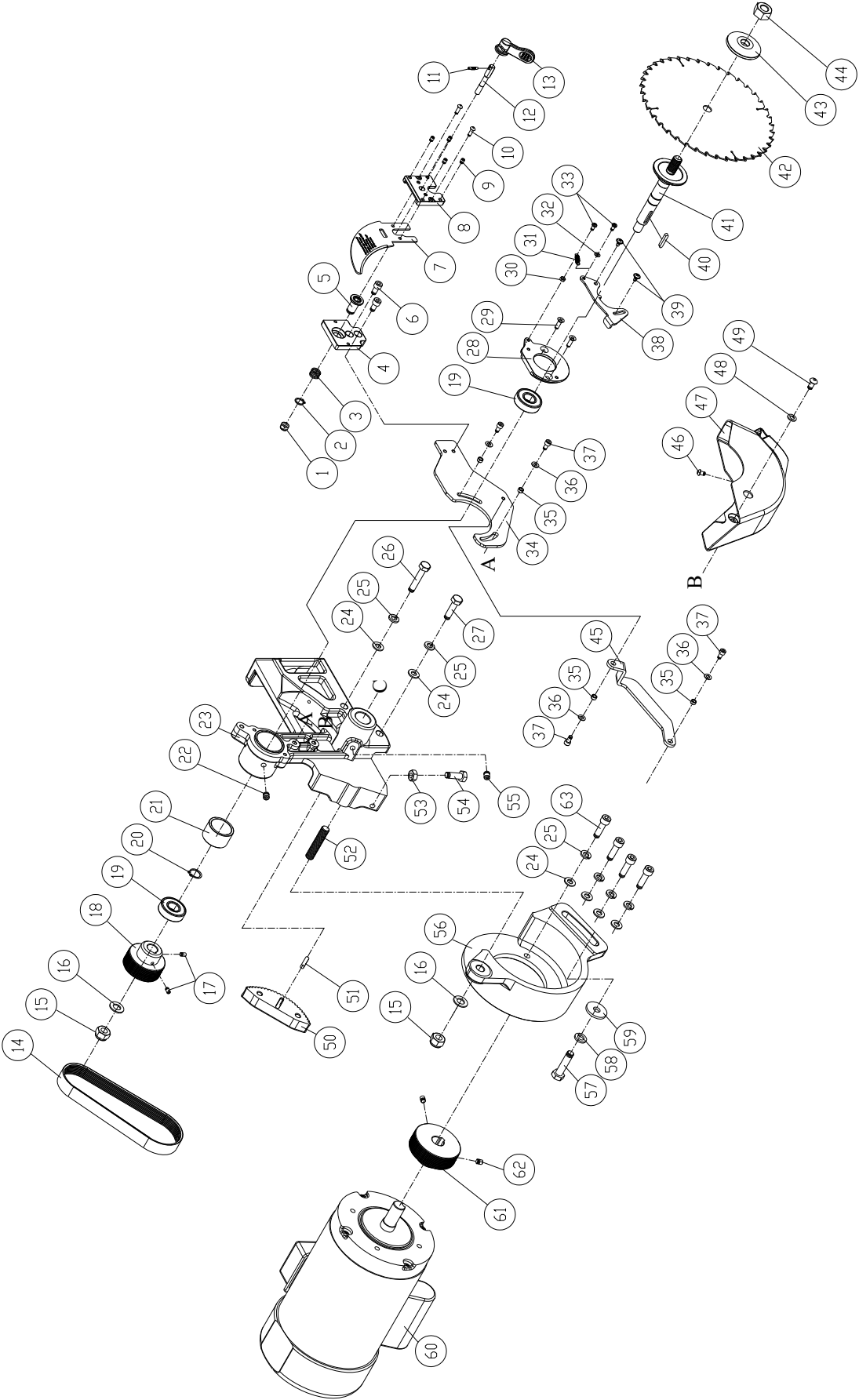
14.1.3 PM2000B Conjunto de mesa y gabinete – Lista de piezas

No. de índice	No. de pieza	Descripción	Tamaño	Cant.
1	TS-149105	Tornillo de cabeza hex	M10-1.5 x 35L	6
2	TS-2361101	Arandela de traba	M10	10
3	TS-1550071	Arandela plana	10 x 20 x 2.0T	10
4	PM2000B-104	Mesa de extensión		2
5	PM2000B-105	Mesa		1
6	F010395L	Tornillo de presión de cabeza hueca CPP con trabarroscas.	M5-0.8 x 12L	4
7	PM2000B-107	Émbolo		2
8	PM2000B-108	Inserto de mesa		1
	PM2000B-108TIA	Conjunto de Inserto de mesa (incluye #6,7,8)		1
9	PM2000B-109	Tornillo Phillips de aterrajado de cabeza hueca	M4-1.41P x 12L	2
10	PM2000B-110	Escala de ángulo de inclinación		1
11	TS-1503031	Tornillo de cabeza hueca	M6-1.0.7 x 12L	6
12	TS-1550041	Arandela plana	6.2 x 13 x 1.5T mm	2
13	PM2000B-113	Base de escala con etiqueta		1
14	PM2000B-114	Perilla de referencia de ángulo		2
15	TS-1550031	Arandela plana	5.2 x 10 x 1.0T mm	2
16	PM2000B-116	Referencia de ángulo específico		2
17	PM2000B-117	Tuerca especial		2
18	PM2000B-118	Tornillo Phillips de aterrajado de cabeza hueca	M4-1.41P x 10L	1
19	PM2000B-119	Conjunto de sensor		1
20	PM2000B-120	Tornillo Phillips de aterrajado de cabeza hueca	M3 x 1.06P x 10L	4
21	PM2000B-121	Cubierta de caja de DRO		1
22	PM2000B-122	Tornillo Phillips de aterrajado de cabeza redonda	M4 x 1.41P x 10L	5
23	PM2000B-123	Aliviador de tensión	PGA16-14B	1
24	TS-1491031	Tornillo de cabeza hex	M10-1.5 x 25L	4
25	PM2000B-125	Gabinete (para 3 HP monofásica y 5 HP monofásica)		1
	PM2000B-125A	Gabinete (para 5 HP trifásica)		1
26	PM2000B-126	Varilla de empuje		1
27	PM2000B-127	Clavija		1
28	TS-2311081	Tuerca hexagonal	M8-1.25	1
29	PM2000B-129	Amarre de cable		2
30	PM2000B-130	Logotipo de Powermatic		1
31	TS-1550041	Arandela plana	6.7 x 16 x 2.0T mm	2
32	TS-0720071	Arandela de traba	1/4"	6
33	PM2000B-133	Tornillo Phillips de cabeza redondeada para metal	1/4"-20UNC x 3/8"L	2
34	PM2000B-134	Pata de nivelación		4
35	PM2000B-135	Cubierta de conjunto de sensor		1
36	PM2000B-136	Soporte colgante		1
37	PM2000B-137	Tornillo de cabeza hex con arandela plana	M8-1.25 x 12L	1
38	PM2000B-138	Adaptador de rampa de descarga para polvo		1
39	PM2000B-139	Orificio para polvo		1
40	TS-1550041	Arandela plana	6.2 x 13 x 1.5T mm	4
41	TS-2246122	Tornillo de cabeza de botón hueca	M6-1.0.7 x 12L	4
42	PM2000B-142	Manguera para el polvo		1
43	PM2000B-143	Arandela de goma		1
44	PM2000B-144	Caja de terminales		1
45	F002097	Arandela de traba, diente ext	M5	4
46	TS-1550031	Arandela plana	5.3 x 10 x 2.0T mm	4
47	TS-1533042	Tornillo Phillips de cabeza redondeada para metal	M5-0.8 x 12L	4
48	PM2000B-148	Aliviador de tensión (solamente para 3HP, monofásica)	MG25AS-14B	1
	PM2000B-148A	Aliviador de tensión (solamente para 5 HP, monofásica y 5 HP, trifásica)	MG25A-18B	1
49	PM2000B-149	Espaciador		4
50	PM2000B-150	Placa de terminales		1
51	F001221	Tornillo Phillips de cabeza redondeada para metal	M5-0.8 x 35L	4
52	PM2000B-152	Cubierta de caja de terminales		1
53	F000648	Tornillo Phillips de cabeza redondeada para metal	10-24UNC x 1/4L	1
54	TS-1501041	Tornillo de cabeza hueca	M4-0.7 x 12L	7
55	TS-2361041	Arandela de traba	M4	6
56	TS-1550021	Arandela plana	4.3 x 10 x 1.0T mm	7

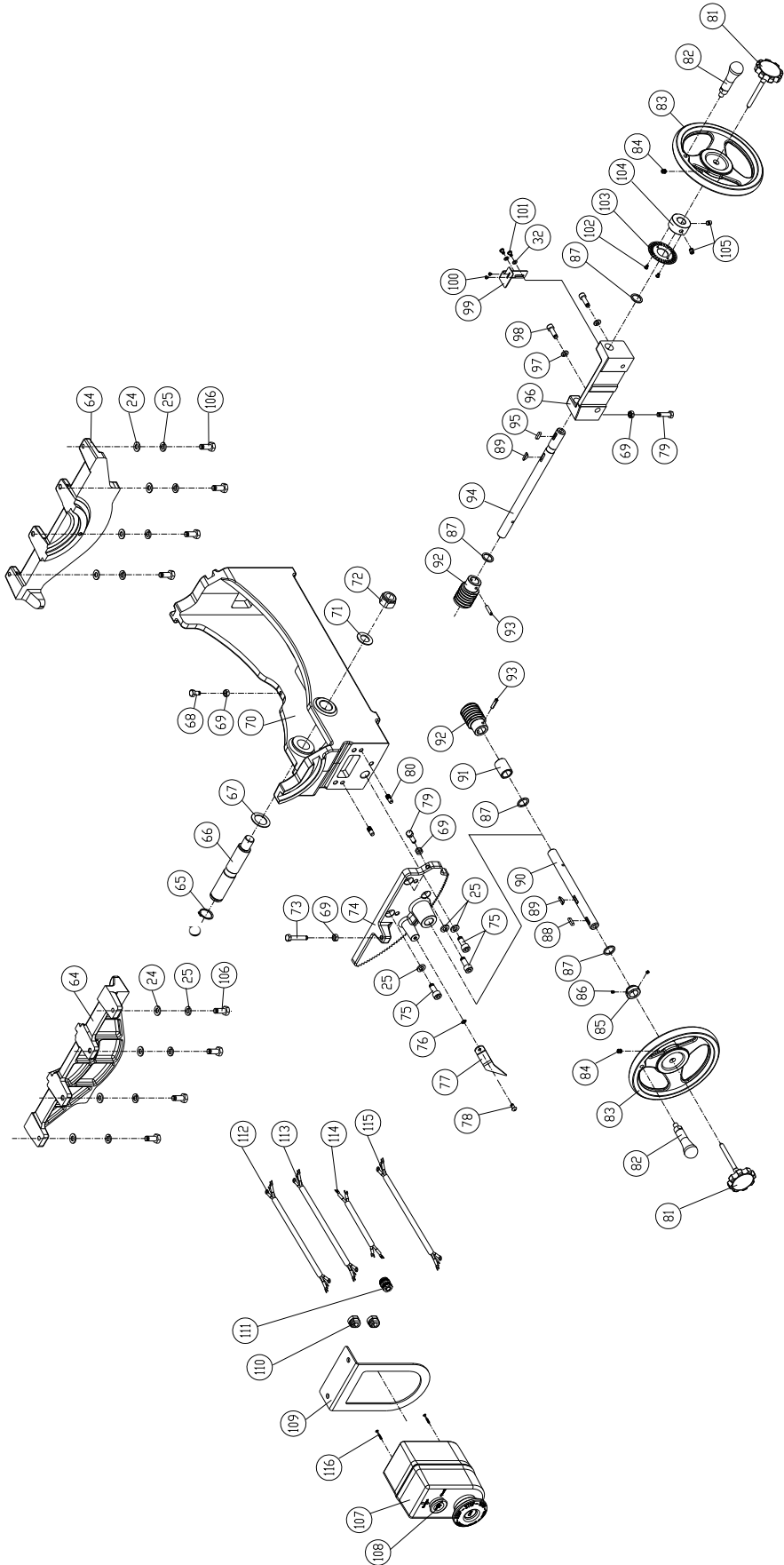
No. de índice	No. de pieza	Descripción	Tamaño	Cant.
57	PM2000B-157	Cubierta de tanque de aceite		1
58	PM2000B-158	Junta		1
59	F009923	Tornillo de botón de cabeza hueca	M4-0.7 x 6L	1
60	PM2000B-160	Conexión de manguera de aceite	PT1/4" x PH1/4"	1
61	TS-1503061	Tornillo de cabeza hueca	M6-1.0 x 25L	4
62	TS-1551041	Arandela de traba	M6	2
63	TS-1550041	Arandela plana	6.4 x 11.5 x 1.6T mm	2
64	PM2000B-164	Tanque de aceite		1
65	PM2000B-165	Eje de bomba		1
66	PM2000B-166	Manguito de eje de bomba		1
67	JMS10SCMS-43	Junta tórica	P7	2
68	SB-6MM	Bola de acero	6 Diám.	2
69	PM2000B-169	Resorte de compresión		1
70	TS-2276081	Tornillo de presión de cabeza hueca	M6-1.0 x 8L	1
71	PM2000B-171	Conexión de manguera de aceite	TH1/4" x TH1/4"	1
72	TS-1550041	Arandela plana	6.2 x 20 x 3.0T mm	2
73	PM2000B-173	Varillaje		1
74	TS-1541021	Tuerca hexagonal de traba de nilón	M6-1.0	2
75	TS-1541031	Arandela plana	8.5 x 16 x 1.0T mm	1
76	JMS10SCMS-37	Arandela ondulada	VW-8	1
77	PM2000B-177	Tornillo de resalto		1
78	PM2000B-178	Varillaje		1
79	F005344	Tornillo de cabeza hueca	M3-0.5 x 20L	1
80	TS-1540021	Tuerca hexagonal	M4-0.7	1
81	PM2000B-181	Resorte de tensión		1
82	F012097	Pasador de rodillo	3 x 16 mm	2
83	CK350-722	Junta tórica	P5	2
84	PM2000B-184	Perilla		1
85	PM2000B-185	Eje de descarga de aceite		1
86	TS-1540011	Tuerca hexagonal	M3-0.5	1
87	PM2000B-187	Conjunto de manguera de aceite		2
88	TS-1540061	Tuerca hexagonal	M8-1.25	1
89	5784696	Junta tórica	P15	2
90	PM2000B-190	Manija de bomba		1
91	TS-1541031	Tuerca hexagonal de traba de nilón	M8-1.25	8
92	TS-1550061	Arandela plana	8 x 16 x 1.6T mm	8
93	PM2000B-193	Ruedecilla orientable		4
94	TS-2248202	Tornillo de botón de cabeza hueca	M8-1.25 x 20L	8
95	F006048	Anillo de retención en C, ext.	STW-20	2
96	F006088	Anillo de retención en E	ETW-15	12
97	PM2000B-197	Varillaje		2
98	PM2000B-198	Soporte de ruedecillas orientables de mando		2
99	PM2000B-199	Pivote		6
100	PM2000B-1100	Soporte de ruedecillas orientables impulsadas		2
101	PM2000B-1101	Biela		1
102	TS-1550041	Arandela plana	6.3 x 13 x 1.0T mm	4
103	PM2000B-1103	Tirante		1
104	PM2000B-1104	Collar de conexión		1
105	TS-2311121	Tuerca hexagonal	M12-1.75	1
106	F005363L	Tornillo de cabeza hueca con trabarrosas	M5-0.8 x 10L	1
107	PM2000B-1107	Tuerca especial		1
108	TS-2342101	Tuerca hex de traba de nilón	M10-1.5	1
109	TS-15505061	Tornillo de cabeza hueca	M10-1.5 x 40L	1
	PM2000B-HCA	Conjunto de cilindro hidráulico (incluye 110 a 122)		1
110	HVBS710SG-314	Tornillo de cabeza hueca	M5-0.8 x 15L	6
111	TS-1551031	Arandela de traba	M5	6
112	TS-1550031	Arandela plana	5.2 x 10 x 1.0T mm	6
113	PM2000B-1113	Campana de extremo impulsado		1
114	PM2000B-1114	Junta tórica	AS029	2
115	PM2000B-1115	Junta tórica	AS026	2
116	TS-1482061	Tornillo de cabeza hex	M6-1.0 x 30L	1
117	TS-2311061	Tuerca hexagonal	M6-1.0	1

No. de índice	No. de pieza	Descripción	Tamaño	Cant.
118	PM2000B-1118	Conexión de manguera de aceite	PT1/4" x PH1/4"	2
119	PM2000B-1119	Cilindro hidráulico		1
120	PM2000B-1120	Junta tórica	P29	2
121	PM2000B-1121	Pistón		1
122	PM2000B-1122	Campana de extremo de mando		1
123	PM2000B-1123	Aliviador de tensión	MGB16-10B	3
124	PM2000B-1124	Conjunto de transformador con fusible		1
125	TS-1550021	Arandela plana	4.3 x 10 x 1.0T mm	2
126	TS-2284082	Tornillo Phillips con cabeza redondeada para metal	M4-0.7 x 8L	2
127	PM2000B-1127	Cubierta de caja de transformador		1
128	F009884	Tornillo de botón de cabeza hueca	M5-0.8 x 8L	2
129	PM2000B-1129	Fusible	2A x 250V	2
	LM000304	Etiqueta de advertencia (no se muestra)		1
	LM000305	Etiqueta de ID, PM2000B, 3 HP monofásica (no se muestra)		1
	LM000312	Etiqueta de ID, PM2000B, 5 HP monofásica (no se muestra)		1
	LM000313	Etiqueta de ID, PM2000B, 5 HP trifásica (no se muestra)		1
	CL-HV	Etiqueta de precaución - Alto voltaje (no se muestra)		2
	PM2000B-1133	Franja negra (no se muestra)	1" de ancho	por pie
	LM000307	Etiqueta - Elevador de ruedas orientables (no se muestra)		1
	LM000308	Etiqueta - Parte inferior de ruedas orientables (no se muestra)		1

14.2.1 PM2000B Conjunto de motor y muñón I – Vista desarrollada



14.2.2 PM2000B Conjunto de motor y muñón II – Vista desarrollada



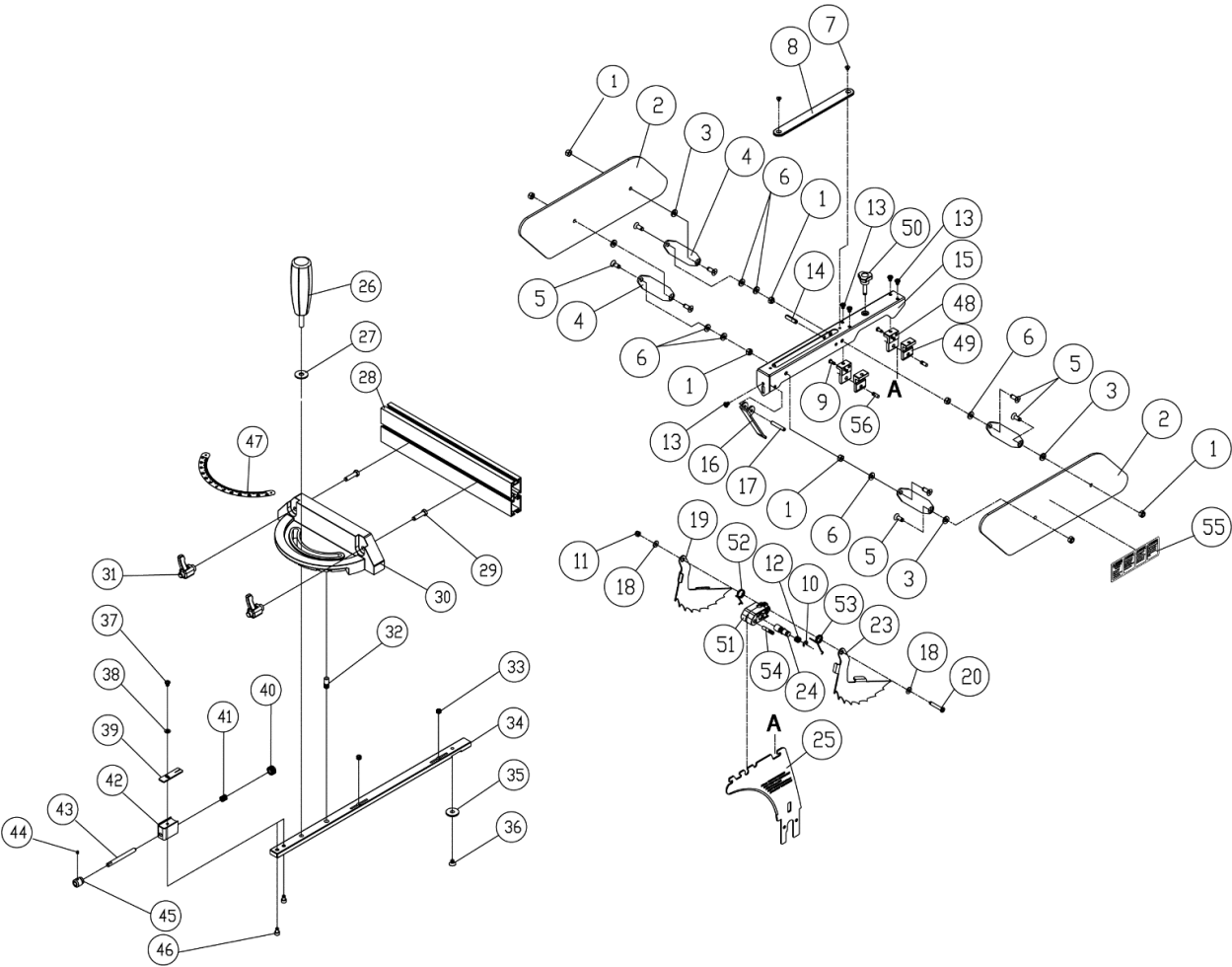
14.2.3 PM2000B Conjunto de motor y muñón – Lista de piezas

No. de índice	No. de pieza	Descripción	Tamaño	Cant.
1	TS-1541031	Tuerca hex de traba de nilón	M8-1.25	1
2	F006042	Anillo de retención en C, ext	STW-14	1
3	PM2000B-203	Resorte de compresión		1
4	PM2000B-204	Base fija del separador		1
5	PM2000B-205	Bloque de sujeción		1
6	TS-1504031	Tornillo de cabeza hueca	M8-1.25 x 16L	2
7	PM2000B-207	Separador de bajo perfil	0.1" (2.5 mm) de espesor	1
8	PM2000B-208	Placa de sujeción del separador		1
9	TS-2276081	Tornillo de presión de cabeza hueca	M6-1.0 x 8L	4
10	TS-2245162	Tornillo de cabeza de botón hueca	M5-0.8 x 16L	2
11	PM2000B-211	Pasador macizo		1
12	PM2000B-212	Eje		1
13	PM2000B-213	Palanca		1
14	VB-220J10	Correa trapecial de poli	220J-10	1
15	TS-2342141	Tuerca hex de traba de nilón	M14-2.0	2
16	TS-155009	Arandela plana	14.2 x 26 x 2T mm	2
17	F010401L	Tornillo de presión de cabeza hueca CPP con trabarrosas	M6-1.0 x 8L	2
18	PM2000B-218	Polea del árbol		1
19	BB-6201VV	Cojinete de bolas	6204VV	2
20	F006048	Anillo de retención en C, ext	STW-20	1
21	PM2000B-221	Buje		1
22	F010414L	Tornillo de cabeza hueca CPP con trabarrosas	M10-1.5 x 10L	1
23	PM2000B-223	Brazo de apoyo		1
24	TS-1550071	Arandela plana	10 x 20 x 2.0T mm	14
25	TS-2361101	Arandela de traba	M10	17
26	JTS315PST-08	Tornillo de cabeza hex	M10-1.5 x 55L	1
27	TS-1491061	Tornillo de cabeza hex	M10-1.35 x 40L	1
28	PM2000B-228	Placa fija		1
29	TS-2286201	Tornillo Phillips con cabeza redondeada para metal	M6-1.0 x 20L	2
30	TS-1540031	Tuerca hexagonal	M5-0.8	1
31	PM2000B-231	Resorte de tensión		1
32	TS-1550031	Arandela plana	5.3 x 10 x 2.0T mm	3
33	F001208L	Tornillo de cabeza redondeada para metal con trabarrosas	M5-0.8 x 8L	2
34	PM2000B-234	Placa de extensión del separador		1
35	PM2000B-235	Buje		4
36	TS-1550041	Arandela plana	6.3 x 13 x 1.0T mm	4
37	F005267L	Tornillo de cabeza hueca con trabarrosas	M6-1.0 x 12L	4
38	PM2000B-238	Traba de huso		1
39	PM2000B-239	Tornillo de resalto		2
40	6291479	Chaveta plana de cabeza redondeada doble	5 x 5 x 30 mm	1
41	PM2000B-241	Árbol		1
42	PM2000B-242	Hoja de sierra	10" 40T 5/8A ATB	1
43	PM2000B-243	Brida		1
44	PM2000B-244	Tuerca		1
45	PM2000B-245	Tirante		1
46	F009893L	Tornillo de cabeza hueca con trabarrosas	M6-1.0 x 10L	1
47	PM2000B-247	Conducto de descarga de polvo		1
48	TS-1550061	Arandela plana	8.5 x 16 x 1.5T mm	1
49	TS-2248162	Tornillo de botón de cabeza hueca	M8-1.25 x 16L	1
50	PM2000B-250	Bloque de engranajes de elevación		1
51	DT45-110	Chaveta plana de cabeza redondeada plana	6 x 6 x 30 mm	1
52	PM2000B-252	Tornillo de presión de cabeza hueca	M14-2.0 x 70L	1
53	TS-2311101	Tuerca hexagonal	M10-1.5	1
54	TS-1491041	Tornillo de cabeza hex	M10-1.5 x 30L	1
55	F010418L	Tornillo de presión de cabeza hueca CPP con trabarrosas	M10-1.5 x 25L	1
56	PM2000B-256	Soporte de rotación del motor		1
57	TS-1492051	Tornillo de cabeza hex	M12-1.75P x 50L	1
58	TS-2361121	Arandela de traba	M12	1
59	PM2000B-259	Arandela plana	13 x 28 x 3.0T mm	1

No. de índice	No. de pieza	Descripción	Tamaño	Cant.
60	PM2000B-260	Motor	3HP 230V 60Hz monofásica	1
	PM2000B-260SC	Capacitor de arranque	400 MFD 125 VCA	1
	PM2000B-260RC	Capacitor de marcha	40 µF 350 VCA	1
	PM2000B-260CC	Cubierta de capacitor		2
	PM2000B-260F	Ventilador		1
	PM2000B-260FC	Cubierta de ventilador		1
	PM2000B-260CS	Interruptor centrífugo		1
	LM000316	Etiqueta de motor , PM2000B (3 HP monofásico)		1
	PM2000B-260A	Motor	5HP 230V 60Hz monofásica	1
	PM2000B-260ASC	Capacitor de arranque	400 MFD 250 VCA	1
	PM2000B-260ARC	Capacitor de marcha	30 µF 500 VCA	1
	PM2000B-260CC	Cubierta de capacitor		1
	PM2000B-260ARCC	Cubierta de capacitor de marcha		1
	PM2000B-260AF	Ventilador		1
	PM2000B-260AFC	Cubierta de ventilador		1
	PM2000B-260CS	Interruptor centrífugo		1
	LM000317	Etiqueta de motor, PM2000B (5 HP monofásica)		1
	PM2000B-260B	Motor	5HP 230/460 V 60 Hz trifásico	1
	PM2000B-260F	Ventilador		1
	PM2000B-260FC	Cubierta de ventilador		1
	LM000318	Etiqueta de motor , PM2000B (5 HP trifásica)		1
61	PM2000B-261	Polea de motor		1
62	PM2000B-262	Tornillo de presión de cabeza hueca CPP con trabarrosas.	M8-1.25 x 20L	2
63	TS-1505051	Tornillo de cabeza hueca	M10-1.5 x 35L	4
64	PM2000B-264	Muñón		2
65	F006051	Anillo de retención en C, ext.	STW-28	1
66	PM2000B-266	Eje		1
67	PM2000B-267	Arandela de nilón		1
68	TS-1490021	Tornillo de cabeza hex	M8-1.25 x 16L	1
69	TS-2311081	Tuerca hexagonal	M8-1.25	4
70	PM2000B-270	Muñón central		1
71	PM2000B-271	Arandela plana	21 x 38 x 3T mm	1
72	PM2000B-272	Tuerca hex de traba de nilón	M20-1.5P	1
73	TS-1490081	Tornillo de cabeza hex	M8-1.25 x 45L	1
74	PM2000B-274	Bloque de engranajes de inclinación		1
75	TS-1505031	Tornillo de cabeza hueca	M10-1.5 x 25L	3
76	JWBS100S-107	Arandela de traba, diente ext.	M6	1
77	PM2000B-277	Puntero en ángulo		1
78	TS-2246122	Tornillo de cabeza de botón hueca	M6-1.0 x 12L	1
79	TS-1490051	Tornillo de cabeza hex	M8-1.25 x 30L	2
80	PM2000B-280	Pasador de rodillo		2
81	PM2000B-281	Perilla de traba		2
82	PM2000B-282	Manija		2
83	PM2000B-283	Volante		2
84	F010052L	Tornillo de presión de cabeza hueca CPP con trabarrosas	5/16"-18UNC x 5/16"	2
85	PM2000B-285	Collar		1
86	F010449L	Tornillo de presión de cabeza hueca CPP con trabarrosas	M5-0.8 x 5L	2
87	PM2000B-287	Arandela de nilón	19.1 x 25.4 x 1.6T mm	4
88	5509207	Chaveta plana de cabeza redondeada doble	5 x 5 x 20mm	1
89	PM2000B-289	Chaveta Woodruff		2
90	PM2000B-290	Eje de volante de elevación		1
91	PM2000B-291	Buje		1
92	PM2000B-292	Eje sinfn		2
93	F012076	Pasador de rodillo	5 x 30 mm	2
94	PM2000B-294	Eje de volante de inclinación		1
95	5783961	Chaveta plana de cabeza redondeada doble	5 x 5 x 18mm	1
96	PM2000B-296	Base de eje sinfn de inclinación		1
97	TS-2361081	Arandela de traba	M8	2
98	TS-1504061	Tornillo de cabeza hueca	M8-1.25 x 30L	2
99	PM2000B-299	Soporte		1
100	PM2000B-2100	Tornillo Phillips de aterrajado de cabeza hueca	M3-1.06 x 6L	2

No. de índice	No. de pieza	Descripción	Tamaño	Cant.
101	F001208	Tornillo Phillips de cabeza redondeada para metal...	M5-0.8 x 8L	2
102	TS-2171012	Tornillo Phillips con cabeza redondeada para metal...	M4-0.7 x 6L	2
103	PM2000B-2103	Disco de inducción		1
104	PM2000B-2104	Collar		1
105	F010418L	Tornillo de presión de cabeza hueca CPP con trabarrosas	M10-1.25 x 25L	2
106	TS-1491031	Tornillo de cabeza hex	M10-1.5 x 25L	8
107	PM2000B-2107	Conjunto de interruptor magnético	3HP 230V 60Hz monofásica	1
	PM2000B-2107OR	Relé de sobrecarga	NTH14	1
	PM2000B-2107A	Conjunto de interruptor magnético	5HP 230 V 60 Hz monofásica	1
	PM2000B-2107AOR	Relé de sobrecarga	NTH21	1
	PM2000B-2107B	Conjunto de interruptor magnético	5HP 230 V/460 V 60 Hz trifásica	1
	PM2000B-2107BOR	Relé de sobrecarga (230 V)	NTH15	1
	PM2000B-2107BORA	Relé de sobrecarga (460 V)	NTH8	1
108	PM2000B-2108	Llave de seguridad		1
109	PM2000B-2109	Placa de interruptor		1
110	PM2000B-2110	Aliviador de tensión (3 HP, monofásica)	SR-7R3	2
	PM2000B-2110A	Aliviador de tensión (5 HP, monofásica y 5 HP, trifásica)	SR-8R3	2
111	PM2000B-2111	Aliviador de tensión (3 HP, monofásica y 5 HP, monofásica)	MGB16-10B	1
	PM2000B-2111A	Aliviador de tensión (5 HP, trifásica)	MGB16-10B	2
112	PM2000B-2112	Cable de motor	SJT 12AWG x 3C x 1900mm	1
	PM2000B-2112A	Cable de motor	SJT 10 AWG x 3C x 1900mm	1
	PM2000B-2112B	Cable de motor	SJT 10 AWG x 3C x 1900mm	1
113	PM2000B-2113	Cable de alimentación	SJT 12 AWG x 3C x 2000mm	1
	PM2000B-2113A	Cable de alimentación	SJT 10 AWG x 3C x 2000mm	1
	PM2000B-2113B	Cable de alimentación	SJT 12 AWG x 4C x 2000mm	1
114	PM2000B-2114	Cable de DRO	SJT 18 AWG x 2C x 1400mm	1
115	PM2000B-2115	Cable de transformador	SJT 18 AWG x 3C x 2100mm	1
116	PM2000B-2116	Tornillo Phillips de aterrajado con cabeza redondeada	M5-2.12 x 25	2
117	PM2000B-2117	Llave de Árbol (no se muestra)		1

14.3.1 PM2000B Conjuntos de protector de hoja y calibre de inglete – Vista desarrollada

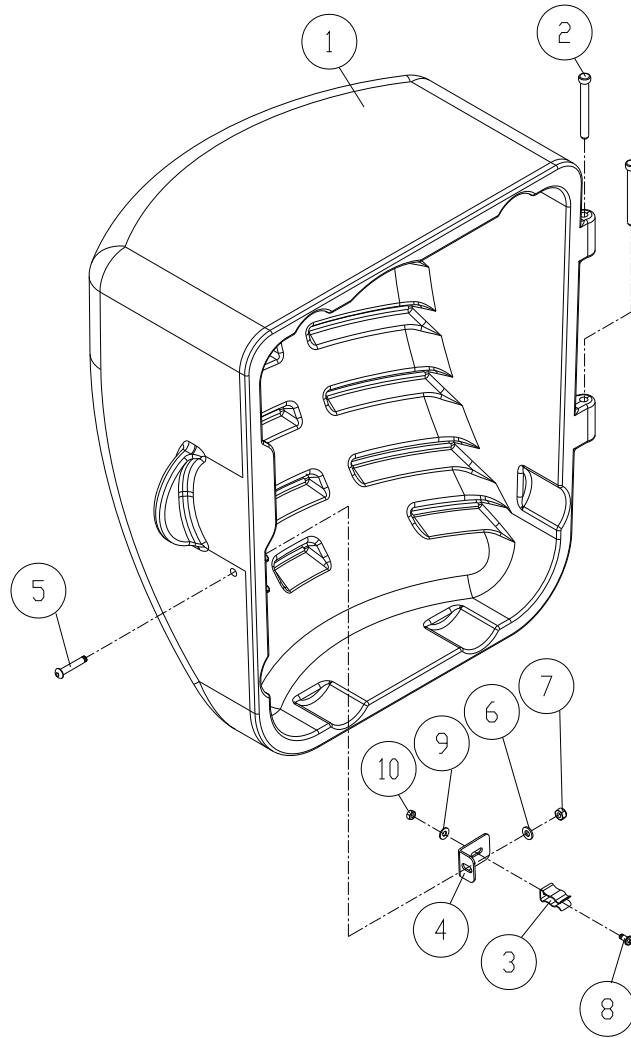


14.3.2 PM2000B Conjuntos de protector de hoja y calibre de inglete – Lista de piezas

No. de índice	No. de pieza	Descripción	Tamaño	Cant.
	PM2000B-BGAB	Conjunto de protector de hoja (incluye #1-9, 13-17, 48-50, 55, 56) *		1
1	TS-1541021	Tuerca hex de traba de nilón	M6-1.0	8
2	PM2000B-302B	Blindaje lateral de protector de hoja		2
3	PM2000B-303	Arandela plana delgada	6.7 x 16 x 1.0T	4
4	PM2000B-304	Varillaje		4
5	TS-1534051	Tornillo Phillips de cabeza plana para metal	M6-1.0 x 16L	8
6	TS-1550041	Arandela plana	6.7 x 16 x 2.0T	6
7	TS-2284081	Tornillo Phillips de cabeza plana para metal	M4-0.7 x 8L	2
8	PM2000B-308	Protector de mirilla superior		1
9	TS-1532032	Tornillo de cabeza plana Phillips	M4-0.7 x 10L	2
10	F006090	Anillo de retención en E	ETW-7	2
11	TS-1541011	Tuerca hex de traba de nilón	M5-0.8	4
12	PM2000B-312B	Resorte de compresión		1
13	6286494	Tornillo de cabeza plana Phillips	M5-0.8 x 6L	5
14	1014960	Pasador de rodillo	5 x 40mm	1
15	PM2000B-315B	Cuerpo de protector de hoja		1
16	PM2000B-316B	Blindaje delantero		1
17	3P12314	Pasador de rodillo	5 x 32mm	1
	PM2000B-APAB	Conjunto de fiadores antirretroceso (incluye #10-12,18-20, 23-24, 51-54)		1
18	TS-1550031	Arandela plana	5.3 x 12 x 1.0T	2
19	PM2000B-319B	Fiador antirretroceso izquierdo		1
20	PM2000B-320	Tornillo de cabeza plana Phillips	M5-0.8 x 30L	1
23	PM2000B-323B	Fiador antirretroceso derecho		1
24	PM2000B-324B	Pasador de traba de fiador antirretroceso		1
25	PM2000B-325B	Separador	2.3mm thk	1
	PM2000B-MGA	Conjunto de calibre de inglete (incluye #26 thru 47)		1
26	PM2000B-326	Perilla		1
27	TS-1550061	Arandela plana	8.5 x 23 x 2.0T	1
28	PM2000B-328	Guía de corte		1
29	TS-0050051	Tornillo de cabeza hex	1/4"-20UNC x 1"	2
30	PM2000B-330	Cuerpo de calibre de inglete hoja		1
31	PM2000B-331	Palanca universal		2
32	PM2000B-332	Pasador		1
33	F010450	Tornillo de presión de cabeza hueca CPP	M8-1.25 x 5L	2
34	PM2000B-334	Barra de inglete		1
35	PM2000B-335	Arandela de guía		1
36	F001220	Tornillo Phillips de cabeza plana para metal	M6-1.0 x 8L	1
37	TS-0810012	Tornillo de cabeza redondeada para metal	#10-24 x 1/4"L	1
38	TS-1550031	Arandela plana	5.2 x 10 x 1.0T	1
39	PM2000B-339	Puntero		1
40	PM2000B-340	Piñón		1
41	PM2000B-341	Resorte de compresión		1
42	PM2000B-342	Cubo de eje de piñón		1
43	PM2000B-343	Eje		1
44	TS-1521011	Tornillo de presión de cabeza hueca	M4-0.7P x 4L	1
45	PM2000B-345	Perilla		1
46	TS-1502011	Tornillo de cabeza hueca	M5-0.8P x 8L	2
47	PM2000B-347	Escala		1
48	PM2000B-348	Soporte de pasador de traba izquierdo		2
49	PM2000B-349	Soporte de pasador de traba derecho		2
50	PM2000B-350	Perilla de traba		1
51	PM2000B-351	Soporte de fiador		1
52	PM2000B-352	Resorte de torsión derecho		1
53	PM2000B-353	Resorte de torsión izquierdo		1
54	PM2000B-354	Pasador sólido		1
55	LM000309B	Etiqueta de advertencia - Protector de hoja		1
56	PM2000B-356B	Pasador de traba de separador		1

* Para modelos con número de serie 1911PM2000B1308 y superior

14.4.1 PM2000B Conjunto de cubierta de motor – Vista desarrollada

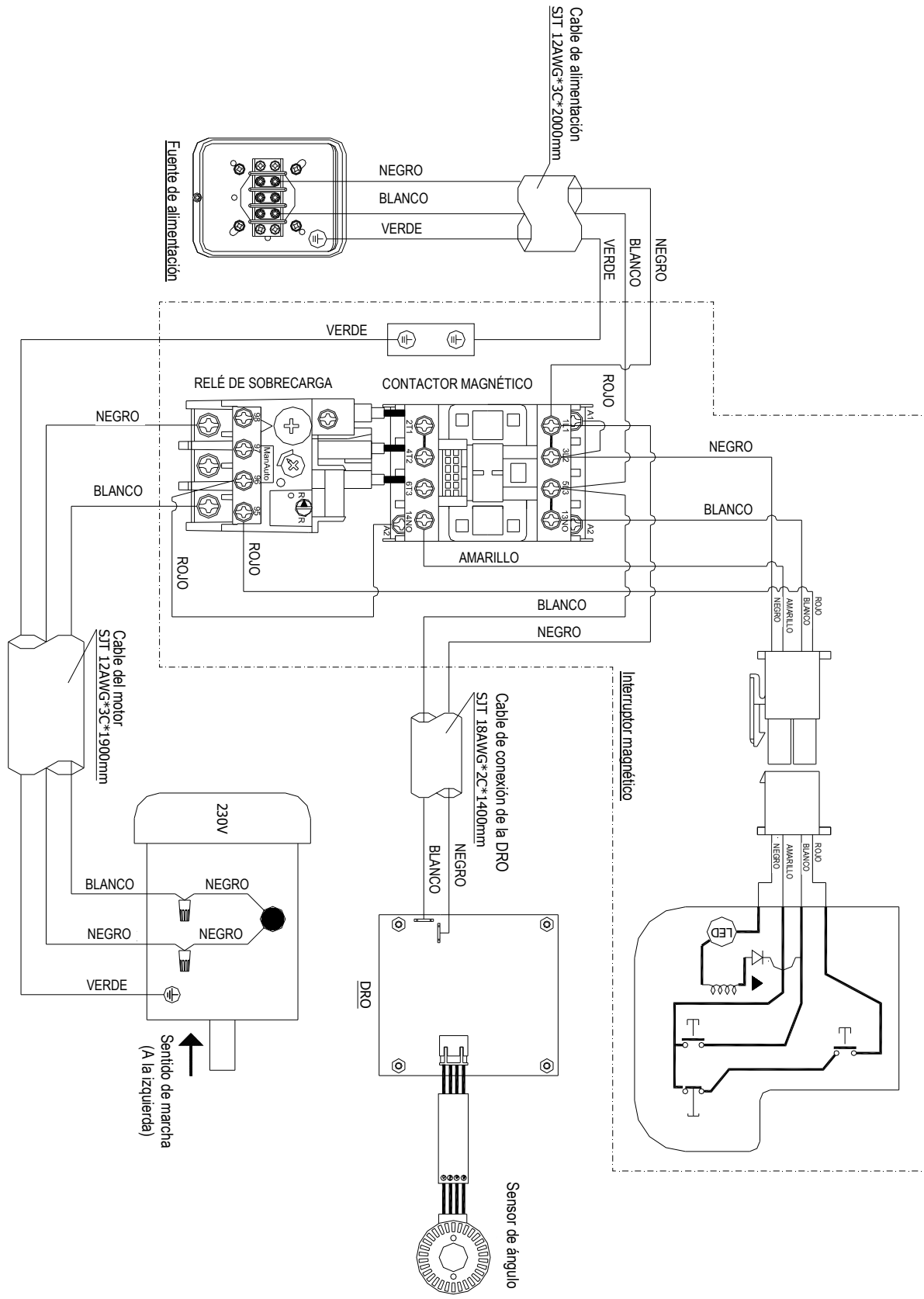


14.4.2 PM2000B Conjunto de cubierta de motor – Lista de piezas

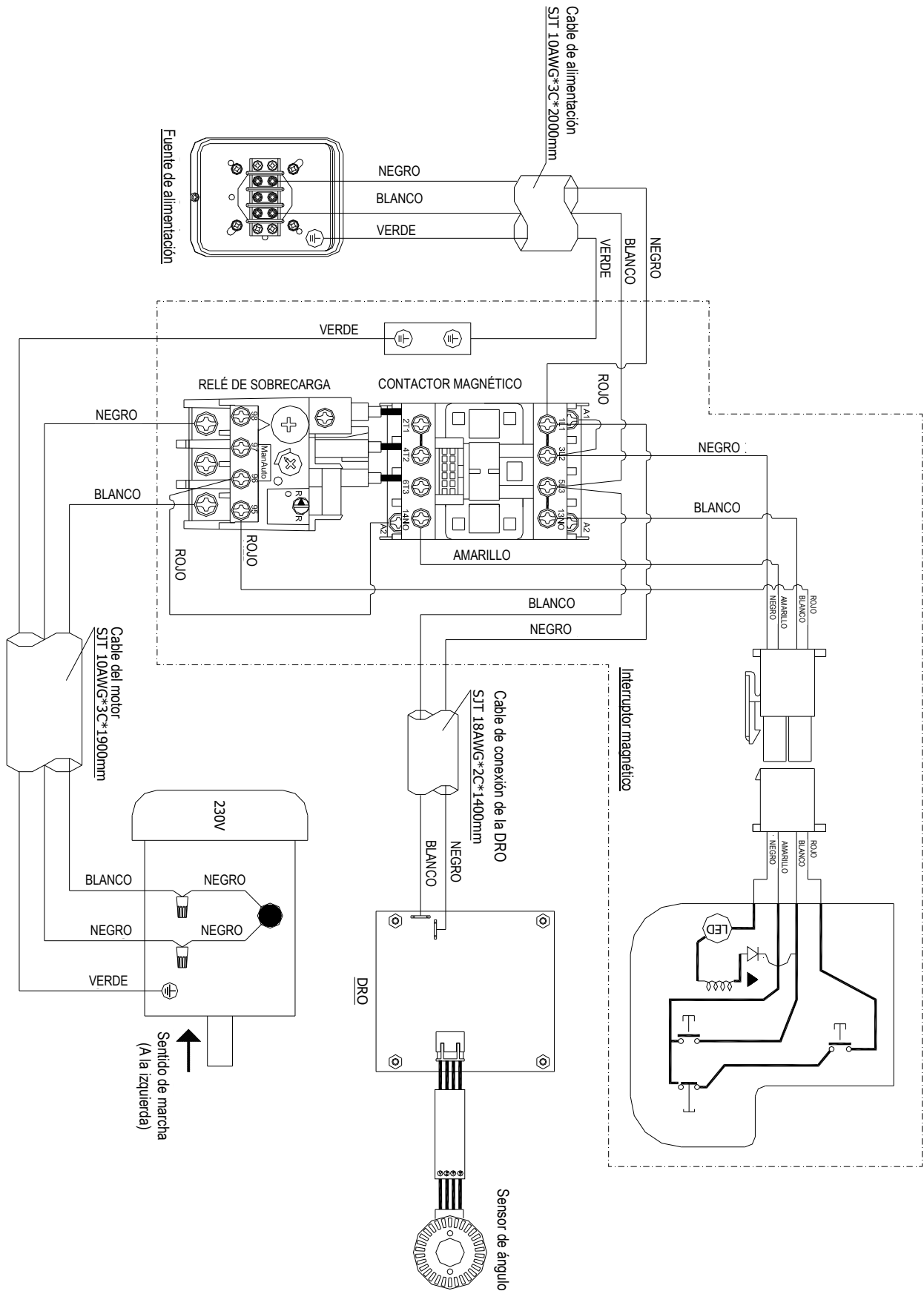
No. de índice	No. de pieza	Descripción	Tamaño	Cant.
.....	6827044B	Conjunto de cubierta de motor (incluye 1 a 10)		1
1	PM2000B-401	Cubierta de motor		1
2	PM2000B-402	Pasador articulado		2
3	PM2000B-403	Abrazadera de resorte		1
4	PM2000B-404	Retenedor de sujeción		1
5	TS-2246302	Tornillo de botón de cabeza hueca	M6-1.0 x 30L	1
6	TS-1550041	Arandela plana	6.2 x 13 x 1.5T mm	1
7	TS-1541021	Tuerca hex de traba de nilón	M6-1.0	1
8	TS-1533032	Tornillo Phillips de cabeza redondeada para metal	M5-0.8 x 10L	1
9	TS-1550031	Arandela plana	5.3 x 12 x 1.0T mm	1
10	TS-1540031	Tuerca hexagonal	M5-0.8	1

15.0 Conexiones eléctricas

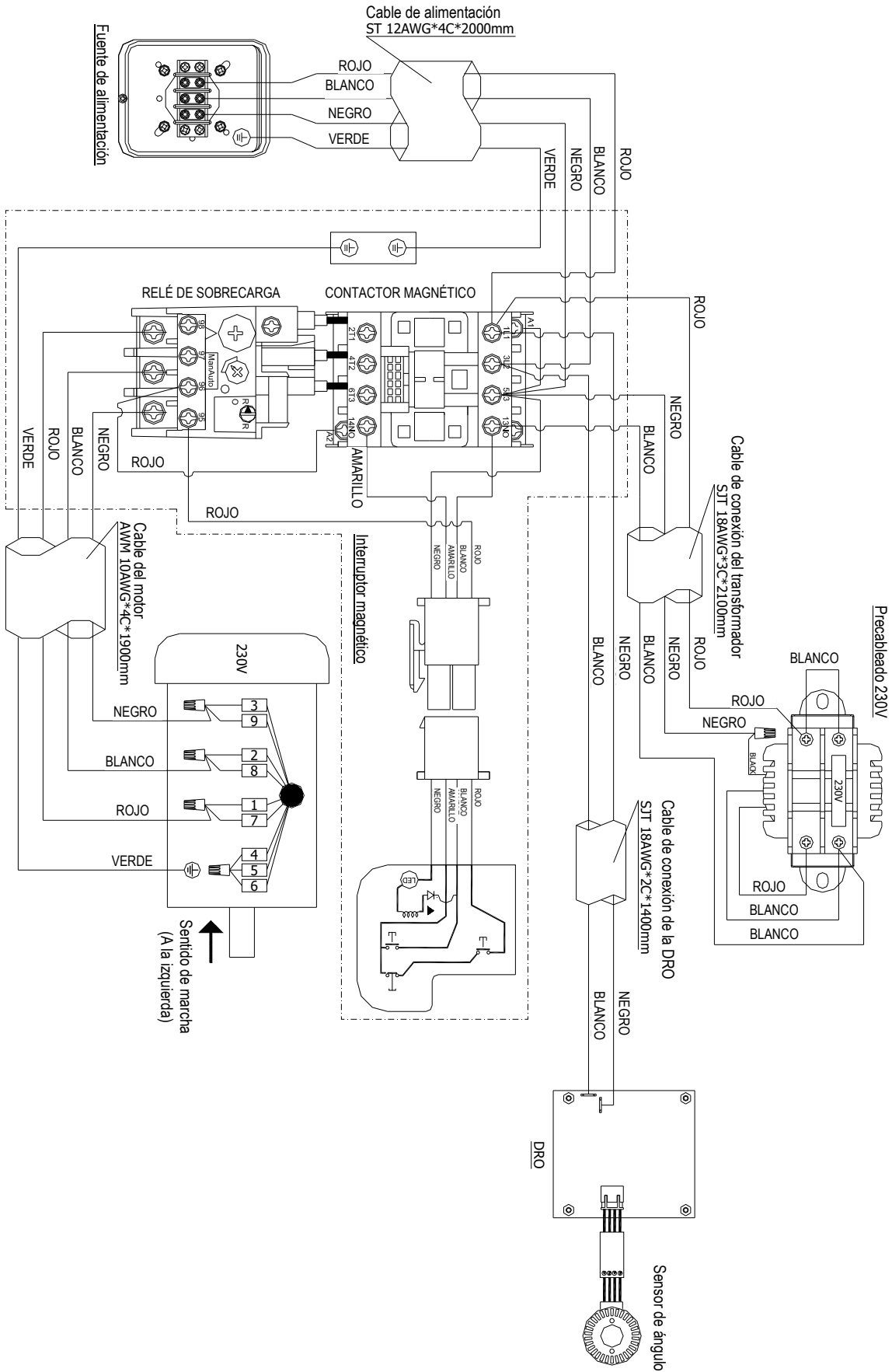
15.1 PM2000B Diagrama de conexiones – 3 HP, 230 V, monofásica



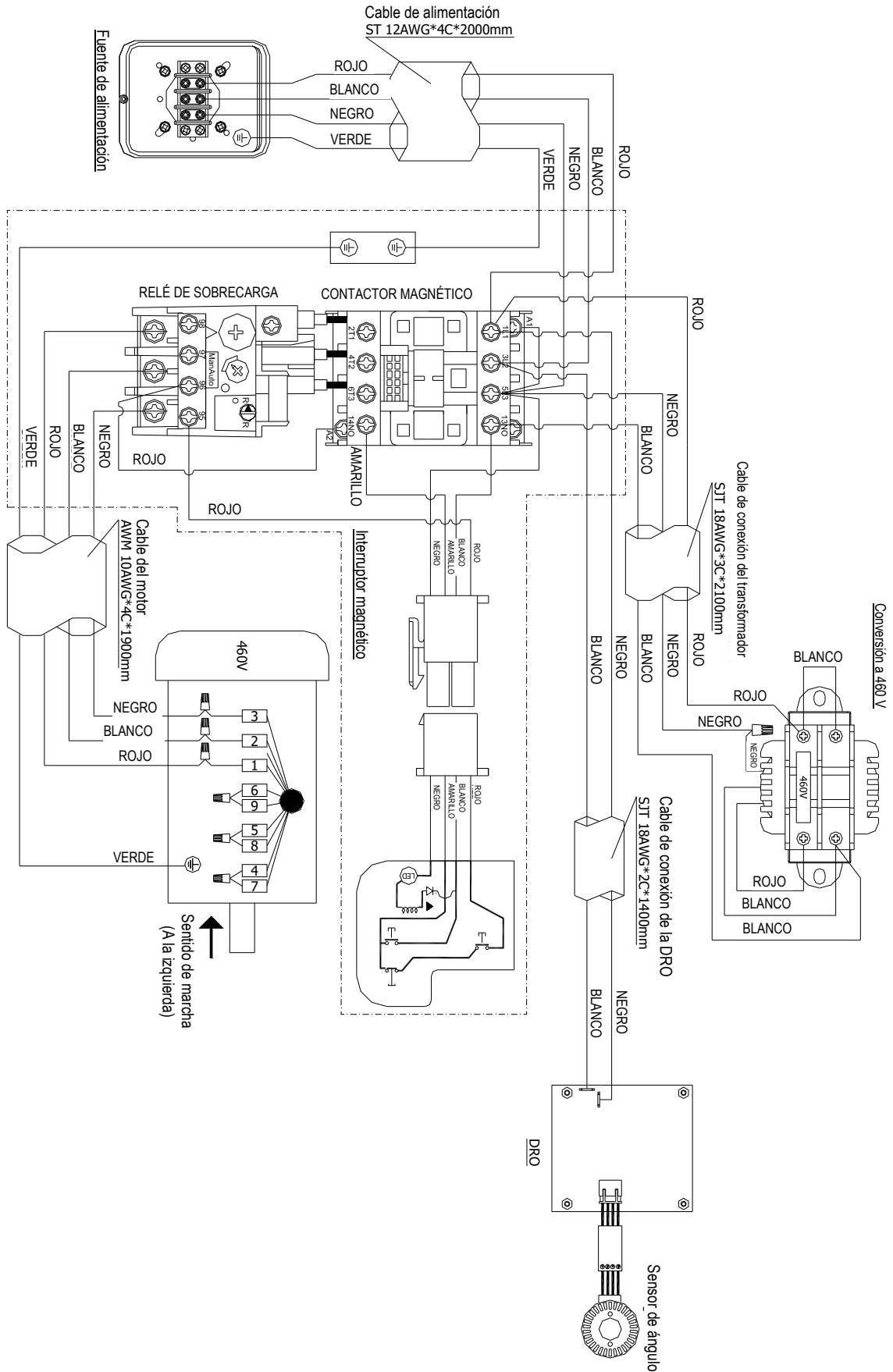
15.2 PM2000B Diagrama de conexiones – 5 HP, 230 V, monofásica



15.3 PM200B Diagrama de conexiones – 5 HP, 230 V, trifásica



15.4 PM200B Diagrama de conexiones – 5 HP, 460V, trifásica



16.0 Garantía y servicio

Powermatic® garantiza que todos los productos que vende no tienen defectos de fabricante. Si una de nuestras herramientas necesita servicio o reparación, póngase en contacto con Servicio Técnico llamando al 1-800-274-6846, 8 de la mañana a 5 de la tarde, Hora Central, de lunes a viernes.

Período de garantía

La garantía general dura el tiempo especificado en las publicaciones incluidas con su producto o en el sitio web oficial de la marca Powermatic.

- Los productos Powermatic tienen una garantía limitada cuya duración varía según el producto. (Vea la tabla siguiente)
- Los accesorios tienen una garantía limitada de un año después de la fecha de recepción.
- Los artículos de consumo se definen como piezas o accesorios fungibles que se espera que no puedan operar después de una cierta cantidad de uso razonable y están cubiertos por una garantía limitada de 90 días contra defectos de fabricación.

Quién está cubierto

Esta garantía cubre solo al comprador inicial del producto a partir de la fecha de entrega.

Qué está cubierto

Esta garantía cubre los defectos de fabricación o materiales sujetos a las limitaciones indicadas arriba. Esta garantía no cubre fallas debido directa o indirectamente a uso indebido, abuso, negligencia o accidentes, desgaste normal, reparación indebida, alteraciones o falta de mantenimiento. La maquinaria de carpintería de Powermatic está diseñada para utilizarse con madera. El empleo de estas máquinas en el procesamiento de metal, plástico u otros materiales fuera de las guías recomendadas puede anular la garantía. Las excepciones son artículos acrílicos y otros artículos naturales hechos específicamente para torneear madera.

Limitaciones de la garantía

Los productos de carpintería con una garantía de cinco años que se usen para fines comerciales o industriales pasan de forma predeterminada a una garantía de dos años. Póngase en contacto con Servicio Técnico llamando al 1-800-274-6846 para obtener aclaraciones adicionales.

Cómo obtener apoyo técnico

Póngase en contacto con Servicio Técnico llamando al 1-800-274-6846. **Observe que se le va a pedir que proporcione una prueba de comprar inicial al llamar.** Si un producto requiere una inspección adicional, el representante de Servicio Técnico le explicará y ayudará con cualquier acción adicional necesaria. Powermatic dispone de centros de servicio autorizados en todo Estados Unidos. Para obtener el nombre de un centro de servicio autorizado en su área, llame al 1-800-274-6846 o use el localizador de centros de servicio en el sitio web de Powermatic.

Información adicional

Powermatic está añadiendo constantemente productos nuevos. Para obtener información completa y actualizada de un producto, pregunte a su distribuidor local o visite el sitio web Powermatic.

Cómo se aplica la ley estatal

Esta garantía le da derechos legales específicos sujetos a la ley estatal correspondiente.

Limitaciones de esta garantía

POWERMATIC LIMITA TODAS LA GARANTÍAS IMPLÍCITAS AL PERÍODO DE GARANTÍA LIMITADA POR CADA PRODUCTO. EXCEPTO SEGÚN SE INDICA AQUÍ, SE EXCLUYE CUALQUIER GARANTÍA IMPLÍCITA DE COMERCIALIZACIÓN E IDONEIDAD PARA UN CIERTO FIN. ALGUNOS ESTADOS NO PERMITEN LIMITACIONES SOBRE LA DURACIÓN DE LA GARANTÍA IMPLÍCITA, POR LO QUE LA LIMITACIÓN DE ARRIBA TAL VEZ NO CORRESPONDA A SU CASO.

POWERMATIC NO DEBE EN NINGÚN CASO SER RESPONSABLE DE LA MUERTE, DE LAS LESIONES DE PERSONAS O DE DAÑOS MATERIALES, O DAÑOS INCIDENTALES, CONTINGENTES, ESPECIALES O INDIRECTOS QUE SEA CONSECUENCIA DEL EMPLEO DE NUESTROS PRODUCTOS. ALGUNOS ESTADOS NO PERMITEN LA EXCLUSIÓN O LA LIMITACIÓN DE DAÑOS INCIDENTALES O INDIRECTOS, POR LO QUE LA LIMITACIÓN DE ARRIBA TAL VEZ NO SE APLIQUE A SU CASO.

Powermatic vende a través de distribuidores solamente. Las especificaciones indicadas en los materiales impresos de Powermatic y en el sitio web oficial de Powermatic se indican como información general y no son vinculantes. Powermatic se reserva el derecho de efectuar en cualquier momento, sin aviso previo, aquellas modificaciones en piezas, conexiones y equipos accesorios que puedan parecer necesarios por cualquier motivo.

Lista de productos con período de garantía

90 días – Piezas; artículos de consumo
1 año – Motores, accesorios de máquina
2 años – Maquinaria de carpintería usada para fines industriales o comerciales
5 años – Maquinaria de carpintería

NOTA: Powermatic es una división de JPW Industries, Inc. Las referencias en este documento a Powermatic también se aplican a JPW Industries, Inc., o a cualquiera de sus sucesores que sean de interés para la marca Powermatic.

Esta página se ha dejado en blanco de forma intencionada.

Esta página se ha dejado en blanco de forma intencionada.



427 New Sanford Road
LaVergne, Tennessee 37086
Teléfono: 800-274-6848
www.powermatic.com

POWERMATIC®

Manuel d'instructions d'utilisation et de pièces **Scie d'ébéniste de 10 pouces** **MODÈLE PM2000B**



Illustré avec un ensemble
de guide de 30 pouces

Pour les modèles avec numéro de série. 1911PM2000B1308 et supérieur

Powermatic
427 Rue New Sanford
LaVergne, Tennessee 37086
Tél. : 800-274-6848
www.powermatic.com

Pièce No M-PM231B
4ème édition 09/2019
ECR 190517174815
Tous droits réservés © 2017 Powermatic



1.0 DIRECTIVES IMPORTANTES SUR LES MESURES DE SÉCURITÉ

LIRE TOUTES LES INSTRUCTIONS AVANT D'UTILISER CETTE MACHINE.

AVERTISSEMENT - Pour réduire les risques de blessures :

1. Assurez-vous de lire et de comprendre tout le manuel du propriétaire avant de tenter l'assemblage ou l'utilisation.
2. Assurez-vous de lire et de comprendre les avertissements apposés sur l'appareil et dans ce manuel. Le non-respect des tous ces avertissements peut causer des blessures graves.
3. Remplacez les étiquettes d'avertissement si elles sont obscurcies ou retirées.
4. Ce banc de scie est conçu et destiné à être utilisé uniquement par du personnel formé et expérimenté. Si vous n'êtes pas familier avec le fonctionnement adéquat et sécuritaire d'un banc de scie, ne l'utilisez pas jusqu'à ce que vous ayez obtenu une formation et plus de connaissances.
5. N'utilisez pas ce banc de scie à toute autre fin que celle prévue. Si celui-ci est utilisé à d'autres fins, Powermatic renonce à toute garantie réelle ou implicite et se dégage de toute responsabilité en cas de blessure résultant de cette utilisation.
6. Portez toujours des lunettes de sécurité approuvées ou un écran facial lorsque vous utilisez ce banc de scie. Les lunettes de tous les jours n'ont que des lentilles résistantes aux impacts; elles ne sont pas des lunettes de protection.
7. Avant d'utiliser ce banc de scie, enlevez toute cravate, bague, montre, et autre bijou, et remontez vos manches jusqu'au-dessus des coudes. Ne pas porter de vêtements lâches. Attacher les cheveux longs. Il est recommandé d'utiliser des chaussures antidérapantes ou des bandes antidérapantes. **Ne** portez **pas** de gants.
8. Portez des protecteurs antibruit (bouchons ou casque) pendant des périodes de fonctionnement prolongées.
9. N'utilisez pas cette machine lorsque vous êtes fatigué ou sous l'influence de drogues, d'alcool ou de tout médicament.
10. Assurez-vous que la machine est adéquatement mise à la terre.
11. Effectuez tous les réglages ou entretiens de la machine en l'ayant débranchée de la source d'alimentation. Une machine en réparation devrait être ÉTIQUETTÉE ROUGE pour montrer qu'elle ne doit pas être utilisée jusqu'à ce que l'entretien soit terminé.
12. Retirez les clés et les outils de réglage. Ayez l'habitude de vérifier si les clés et les outils de réglage sont retirés de la machine avant de la mettre en marche.
13. Conservez les protecteurs de sécurité en place en tout temps lorsque la machine est en marche. Si elles sont retirées pour des raisons d'entretien, faites preuve d'une extrême prudence et remplacez les protecteurs dès que l'entretien est terminé.
14. Vérifiez l'alignement du couteau séparateur, du guide et de la fente de l'onglet avec la lame. Un autocollant de mise en garde est installé sur chaque protecteur pour faire rappeler à l'opérateur les dangers d'un fonctionnement inadéquat de la machine.
15. Vérifiez s'il y a des pièces endommagées. Avant d'utiliser la machine, un protecteur ou toute autre pièce ayant été endommagée devrait être vérifiée soigneusement afin de déterminer si elle pourra fonctionner adéquatement et exécuter ses fonctions prévues. Vérifiez l'alignement des pièces mobiles, le coincement des pièces mobiles, le bris de pièces ou de montage et toute autre condition qui pourrait affecter son fonctionnement. Un protecteur ou une autre pièce qui est endommagée devrait être adéquatement réparée ou remplacée.
16. Prévoyez un espace adéquat autour de la zone de travail et un l'éclairage par le haut qui soit non éblouissant.
17. Conservez le sol autour de la machine, propre et dépourvu de déchets, d'huile et de graisse.
18. Gardez les visiteurs à une distance sécuritaire de la zone de travail. Gardez les enfants loin.
19. Faites de votre atelier un endroit sécuritaire pour les enfants avec des cadenas, des interrupteurs généraux ou en retirant les clés de sûreté.
20. Accordez toute votre attention à votre travail. Regarder tout autour, tenir une conversation et se chamailler sont des gestes négligents qui peuvent entraîner des blessures graves.
21. Maintenez une position équilibrée en tout temps pour ne pas tomber ou s'appuyer sur la lame ou sur d'autres pièces mobiles. Ne vous étirez pas ou n'utilisez pas une force excessive pour faire fonctionner la machine.

22. Utilisez le bon outil à la bonne vitesse et à la bonne alimentation. Ne forcez pas un outil ou une pièce qui y est jointe afin de faire un travail pour lequel il ou elle n'a pas été conçu(e). Le bon outil rendra le travail meilleur et plus sécuritaire.
23. Utilisez les accessoires recommandés; des accessoires inadéquats pourraient être dangereux.
24. Maintenez les outils avec soin. Gardez la lame bien aiguisée et nettoyée pour obtenir les performances les meilleures et les plus sûres. Suivez les instructions pour lubrifier et modifier les accessoires.
25. Vérifiez la lame de scie pour s'assurer qu'il n'y ait pas de fissures ou de dents manquantes. N'utilisez pas une lame fissurée ou usée ou une lame qui ait une dent manquante ou un ensemble inadéquat. Assurez-vous que la lame est bien verrouillée sur l'arbre.
26. Gardez les mains loin de la zone de la lame. Ne dépassez pas la lame pour récupérer des pièces ou des bouts de bois lorsque la lame de la scie est en marche. Ne sciez jamais à main levée. Évitez les opérations maladroites et les positions de mains où un glissement soudain pourrait faire en sorte que vos mains viennent en contact avec la lame.
27. N'essayez pas de scier des panneaux contenant des nœuds lâches ou des clous ou d'autres matériaux étrangers, sur leur surface. Ne tentez pas de scier des matériaux tordus, gauchis ou courbés, sauf si un bord a été assemblé à des fins de guidage avant le sciage. N'utilisez pas de matériaux excessivement gauchis.
28. Ne tentez pas de scier de longs ou larges panneaux sans appui lorsque le gauchissement ou le poids pourrait faire bouger les panneaux.
29. Utilisez toujours le couteau séparateur, le protecteur de lame, le poussoir et d'autres dispositifs de sécurité pour toutes les opérations durant lesquelles ils pourraient être utilisés. Lors d'opérations telles que le rainurage ou le moulage où le protecteur de lame ne peut pas être utilisé, un guide de coupe, des dispositifs de serrage et d'autres dispositifs de sécurité et soyez extrêmement prudent. Réinstallez le couteau séparateur et le protecteur de lame immédiatement après avoir terminé l'opération qui nécessitait leur retrait.
30. Assurez-vous que la lame de la scie tourne dans le sens des aiguilles d'une montre lorsqu'elle est vue du côté du moteur (côté gauche) de la machine.
31. Éteignez la machine avant de la nettoyer. Utilisez un pinceau ou de l'air comprimé afin de retirer les copeaux ou les débris, ne les retirez pas à mains nues.
32. Ne vous tenez pas debout sur la machine. Des blessures graves peuvent survenir si la machine se renverse.
33. Ne jamais laisser la machine fonctionner sans surveillance. Éteignez la machine ne la quittez pas jusqu'à ce qu'elle soit complètement arrêtée.
34. Retirer les pièces lâches et les pièces à travailler inutiles de la zone avant de démarrer la machine.
35. La lame doit avoir une exposition minimale lors des coupes. Ajustez la lame à environ 1/8 po au-dessus de la surface de la pièce à usiner.

⚠ AVERTISSEMENT: Ce produit peut vous exposer à des produits chimiques, y compris du plomb et du cadmium qui sont reconnus par l'État de Californie pour causer le cancer et les malformations congénitales ou d'autres problèmes de reproduction, et des pesticides qui sont reconnus par l'État de Californie pour causer des malformations congénitales ou d'autres problèmes de reproduction. Pour plus d'informations, visitez <http://www.p65warnings.ca.gov>.

⚠ AVERTISSEMENT: Forage, sciage, ponçage ou usinage de produits du bois génère de la poussière de bois et d'autres substances connues pour l'État de Californie pour causer le cancer. Évitez la poussière générée par l'inhalation de produits de bois ou d'utiliser un masque anti-poussière ou d'autres mesures de protection pour la protection personnelle.

Les produits du bois émettent des substances chimiques à l'État de Californie pour causer des malformations congénitales ou d'autres problèmes de reproduction. Para obtener más información, vaya a <http://www.p65warnings.ca.gov/wood>.

1.1 Rebond

Les accidents les plus courants parmi les utilisateurs de banc de scie, selon les statistiques, peuvent être attribués au rebond, à l'expulsion à grande vitesse du matériel à partir du banc qui peut frapper l'opérateur. Le rebond peut également faire en sorte que les mains de l'opérateur se fassent tirer jusqu'à la lame.

Prévention du rebond

Conseils pour éviter les causes les plus courantes de rebond :

- Assurez-vous que le couteau séparateur est toujours aligné avec la lame. Une pièce à travailler peut coincer ou arrêter la fluidité de la coupe si le couteau séparateur est mal aligné et cela pourrait entraîner un rebond.
- Utilisez un couteau séparateur à chaque coupe. Le couteau séparateur maintient le trait de scie dans la pièce à travailler, ce qui réduira le risque de rebond.
- Ne tentez jamais de coupes à main levée. La pièce à travailler doit être intégrée parallèlement à la lame, sinon un rebond se produira probablement. Utilisez toujours un guide longitudinal ou une jauge à onglets pour soutenir la pièce à travailler.
- Assurez-vous que le guide longitudinal est parallèle à la lame. Sinon, les chances de rebond sont très élevées. Prenez le temps de vérifier et d'ajuster la le guide longitudinal.
- Insérez les coupes jusqu'à la fin. Chaque fois que vous arrêtez d'insérer une pièce à travailler en cours de coupe, le risque de coincement, entraînant un rebond, augmente grandement.

Conseils pour la protection contre le rebond

Un rebond peut se produire même si des mesures sont prises pour le prévenir. Voici quelques astuces pour vous protéger si un rebond se *produit* :

- Placez-vous sur le côté de la lame lors de la coupe. Une pièce éjectée se déplace habituellement directement devant la lame.
- Portez des lunettes de protection ou un écran facial. Vos yeux et votre visage sont les parties les plus vulnérables de votre corps.
- Ne placez jamais votre main derrière la lame. Si le rebond se produit, votre main sera tirée vers la lame.
- Utilisez un poussoir pour garder vos mains plus éloignées de la lame mobile. Si un rebond se produit, le poussoir absorbera très probablement les dommages que votre main aurait reçus.

Familiarisez-vous avec les consignes de sécurité suivantes utilisées dans ce manuel :



ATTENTION Cela signifie que si les précautions ne sont pas respectées, cela pourrait entraîner des blessures mineures et/ou des dommages éventuels de la machine.



AVERTISSEMENT Cela signifie que si les précautions ne sont pas respectées, cela pourrait entraîner des blessures majeures ou possiblement fatales.

2.0 À propos de ce manuel

Ce manuel est fourni par Powermatic, couvrant les procédures de fonctionnement et d'entretien sécuritaires pour le modèle de scie d'ébéniste PM2000B de Powermatic. Ce manuel contient des instructions sur l'installation, les mesures de sécurité, les procédures générales d'utilisation, les instructions d'entretien et le détail des pièces. Votre machine a été conçue et construite afin d'offrir un fonctionnement constant et à long terme si elle est utilisée selon les instructions, tel qu'indiqué dans ce document.

Ce manuel ne se veut pas un guide exhaustif de méthodes de fonctionnement, d'utilisation de gabarits ou d'accessoires après-vente, de choix de matériaux pour bancs de scie, etc. Des connaissances supplémentaires peuvent être obtenues auprès d'utilisateurs expérimentés ou dans des articles commerciaux. Peu importe la méthode acceptée qui est utilisée, assurez-vous de faire de votre sécurité, une priorité.

Si vous avez des questions ou des commentaires, veuillez contacter votre fournisseur local ou Powermatic. Powermatic peut aussi être contacté sur notre site Web : www.powermatic.com.

Conservez ce manuel pour référence ultérieure. Si la machine change de propriétaire, le manuel devrait l'accompagner.



AVERTISSEMENT Assurez-vous de lire et de comprendre tout le contenu de ce manuel avant de tenter l'assemblage ou l'utilisation! Le non-respect des directives peut causer des blessures graves!

3.0 Table des matières

Section	Page
1.0 DIRECTIVES IMPORTANTES SUR LES MESURES DE SÉCURITÉ	2
1.1 Rebond	3
2.0 À propos de ce manuel	4
3.0 Table des matières	5
4.0 Terminologie du banc de scie	7
5.0 Caractéristiques pour le PM2000B	8
5.1 Configurations de l'ensemble	9
6.0 Configuration et assemblage	10
6.1 Contenu de l'expédition	10
6.2 Outils requis pour l'assemblage	10
6.3 Déballage et nettoyage	11
6.4 Installer les rallonges	11
6.5 Volant, boutons, leviers	12
6.6 Rails et guide	12
6.7 Capot du moteur	12
6.8 Insert du banc	13
6.9 Installer et démonter la lame	13
6.10 Installer l'ensemble de protection/couteau	13
6.11 Capteur de poussière	15
7.0 Connexions électriques	15
7.1 INSTRUCTIONS DE MISE À LA TERRE	15
7.2 Conversion de tension (modèle triphasé uniquement)	15
7.3 Rallonges	16
7.4 Commutateur magnétique et clé de sûreté	16
8.0 Ajustements	17
8.1 Outils requis pour les ajustements	17
8.2 Alignement du guide	17
8.3 Levage et inclinaison de la lame	17
8.4 Mécanisme de roulettes	17
8.5 Jauge à onglets	17
8.6 Réglage de la butée d'inclinaison de la lame	18
8.7 Alignement du couteau séparateur	19
8.8 Alignement du banc avec la lame	20
8.9 Ajustement de la courroie	21
8.10 Calibration et utilisation du DRO	21
9.0 Fonctionnement	22
10.0 Dispositifs de sécurité	26
10.1 Guide de coupe	26
10.2 Poussoir et bloc-poussoir	26
11.0 Entretien par l'utilisateur	28
11.1 Inspection générale	28
11.2 Nettoyage	28
11.3 Lubrification	28
11.4 Démontage de l'arbre et des roulements de l'arbre	28
11.5 Entretien supplémentaire	28
12.0 Accessoires en option	29
13.0 Dépannage de la scie d'ébéniste PM2000B	30
13.1 Problèmes moteurs et électriques	30
13.2 Problèmes mécaniques et opérationnels	31
14.0 Pièces de rechange	32
14.1.1 PM2000B Ensemble du banc et de l'armoire I – Vue éclatée	33
14.1.2 PM2000B Ensemble du banc et de l'armoire II – Vue éclatée	34
14.1.3 PM2000B Ensemble du banc et de l'armoire – Liste de pièces	35
14.2.1 PM2000B Ensemble du moteur et du tourillon I – Vue éclatée	38
14.2.2 PM2000B Ensemble du moteur et du tourillon II – Vue éclatée	39
14.2.3 PM2000B Ensemble du moteur et du tourillon – Liste de pièces	40
14.3.1 PM2000B Ensembles du protecteur de lame et de la jauge à onglets – Vue éclatée	43

14.3.2	PM2000B Ensembles du protecteur de lame et de la jauge à onglets – Liste de pièces.....	44
14.4.1	PM2000B Ensemble du capot du moteur – Vue éclatée.....	45
14.4.2	PM2000B Ensemble du capot du moteur – Liste de pièces.....	45
15.0	Connexions électriques.....	46
15.1	PM2000B Schéma de câblage – 3HP, 230V, 1PH	46
15.2	PM2000B Schéma de câblage – 5HP, 230V, 1PH	47
15.3	PM2000B Schéma de câblage – 5HP, 230V, 3PH	48
15.4	PM2000B Schéma de câblage – 5HP, 460V, 3PH	49
16.0	Garantie et entretien	50

4.0 Terminologie du banc de scie

Arbre : Arbre de métal qui relie le mécanisme d'entraînement à la lame.

Coupe pour bords biseautés : Inclinez la tige de scie et la lame entre 0 ° et 45 ° pour effectuer une opération de coupe inclinée.

Protecteur de lame : Mécanisme monté sur la lame de la scie pour éviter tout contact accidentel avec le bord tranchant.

Coupe transversale : Opération de sciage dans laquelle la jauge à onglets est utilisée pour couper le grain de la pièce à travailler.

Lame pour rainures : Lame(s) utilisée(s) pour la coupe de rainures et de râblures. Un jeu de scies circulaires doubles à rainer peut être utilisé pour des rainures plus larges.

Coupe avec rainures : Une rainure à fond plat dans la face de la pièce à travailler fait avec une lame pour rainures.

Guide de coupe : Dispositif utilisé pour garder une planche contre le guide longitudinal ou le banc de scie, permettant à l'opérateur de garder les mains éloignées de la lame de la scie.

À main levée : Déplacer la pièce dans la lame en utilisant uniquement les mains, sans dispositif de positionnement fixe. (Ceci est une procédure dangereuse et inacceptable : utilisez **toujours** les dispositifs appropriés pour déplacer la pièce à travailler à travers la lame de la scie pendant les opérations de coupe.)

Trait de scie : La coupe ou l'espace qui en découle, fait par une lame de scie.

Rebond : Un événement lors duquel la pièce à travailler est soulevée et renversée vers un opérateur, provoqué lorsqu'une pièce se coince sur la lame de la scie ou entre la lame et le guide longitudinal (ou autre objet fixe). Afin de minimiser ou prévenir les blessures causées par des rebonds, reportez-vous à la section *Fonctionnement*.

Jauge à onglets : Un composant qui contrôle le mouvement de la pièce à travailler tout en effectuant une coupe transversale de différents angles.

Coupe non traversante : Une opération de sciage qui nécessite le retrait du protecteur de lame et du couteau séparateur, ce qui entraîne une coupe qui ne dépasse pas le haut de la pièce à travailler (y compris les rainures et les râblures).

Le protecteur de lame et le couteau séparateur doivent être réinstallés après avoir effectué une coupe non traversante afin d'éviter un contact

accidentel avec la lame de la scie lorsqu'elle est en fonction.

Parallèle : Position guide longitudinal à distance égale de chaque point sur la face latérale de la lame de la scie.

Perpendiculaire : Intersection de 90 ° (angle droit) ou position du plan vertical et horizontal telle que la position de la lame de la scie (verticale) sur la surface de la table (horizontale).

Panneau pousoir/pousoir : Un instrument utilisé pour pousser en toute sécurité la pièce à travailler tout au long de l'opération de coupe en gardant les mains de l'opérateur à distance.

Râblures : Une opération de coupe qui crée un canal en forme de L le long du bord du panneau.

Coupe en long : Une coupe faite le long du grain de la pièce à usiner.

Couteau séparateur : Une plaque de métal fixée par rapport à la lame, qui se déplace avec la lame lorsque la profondeur de coupe est ajustée. Ainsi, elle maintient non seulement l'ouverture du trait de scie dans la pièce à travailler, mais aussi la distance entre le couteau et la lame. Un couteau de coupe à *profil bas* se trouve plus bas que le bord supérieur de la lame, pour faire une coupe non traversante.

Fendeuse (Épandeuse) : Une plaque de métal fixe sur laquelle est fixé le protecteur de lame qui maintient l'ouverture du trait de scie dans la pièce à travailler lors d'une opération de coupe. (Les bancs de scie Powermatic utilisent plutôt le système de couteau séparateur supérieur.)

Trait de scie standard : Un espace de 1/8 po fait par une lame standard.

Bordure droite : Un outil utilisé pour vérifier qu'une surface est plane ou parallèle.

Sciage traversant : Une opération de sciage durant laquelle l'épaisseur de la pièce est complètement sciée. Une hauteur adéquate de lame permet habituellement un espace de 1/8 po à partir du haut de la lame afin de pouvoir dépasser le bois. Gardez le protecteur de lame enfoncé, les linguets antireculs et le couteau séparateur en place sur la lame.

5.0 Caractéristiques pour le PM2000B

Tableau 1

Numéro du modèle	PM2000B		
Numéro des matériaux : scie seulement (voir le tableau 2 pour les configurations de l'ensemble)	PM231B	PM251B	PM253B
Moteur et électricité			
Type de moteur	Refroidi à l'aide d'un ventilateur dans un boîtier fermé, induction		
Chevaux-vapeur	3 HP	5 HP	5 HP
Phase du moteur	1 PH		3 PH
Tension du moteur	230 V		230/460 V ¹ (230 V précâblé)
Cycle	60 Hz		
Intensité maximale répertoriée	14,5 A	21 A	13 / 6,5 A
Vitesse du moteur	3450 TPM		
Ampères de départ	86	126	120
Ampères d'utilisation (sans charge)	4,9	4,8	6,5
Condensateur de démarrage	400 MFD 125 VAC	400MFD 250VAC	s.o.
Condensateur d'utilisation	40µF 350 VAC	30µF 500 VAC	s.o.
Transfert d'alimentation	Courroie Poly-V		
Interrupteur Marche/arrêt	Interrupteur magnétique, avec clé de sûreté		
Câble et prise d'alimentation	non fourni		
Taille du circuit recommandé ²	20 A	30 A	20 A
Émission sonore sans charge ³	84 dB at 100 cm; 89 dB at 50 cm		
Arbre et lame			
Diamètre de l'arbre	5/8 po (15.875 mm)		
Vitesse de l'arbre	4500 TPM		
Verrou de l'arbre	oui		
Clé de l'arbre	comprise		
Lame comprise	Ø10 po (254 mm), 0,079 po (2,0 mm) d'épaisseur, 0,118 po (3,0mm) de trait de scie, 40 T, AB, pointes de carbure		
Profondeur maximale de coupe à 90 degrés	3-1/8 po (80 mm)		
Profondeur maximale de coupe à 45 degrés	2-1/8 po (54 mm)		
Coupe en long maximale à la droite de la lame	30 po (762 mm) ou 50 po. (1270 mm)		
Coupe en long maximale à la gauche de la lame	13-1/2 po (343 mm)		
Largeur de rainure maximale	13/16 po (21 mm)		
Diamètre de rainure maximal	203 mm (203 mm)		
Inclinaison de la lame	Gauche, 0 ° à 45 °		
Table du banc de scie			
Dimensions de la table principale (L x l)	30-1/2 x 22 po (775 x 559 mm)		
Dimensions de la table avec les rallonges, (L x l)	30-1/2 x 42 po (775 x 1067 mm)		
Zone du banc devant la lame à hauteur maximale	11-1/4 po (286 mm)		
Surface du banc depuis le plancher, sans roulettes	35 po (889 mm)		
Rainure de fixation d'assemblage à onglet, l x P	2 rainures; 3/4 x 3/8 po (19 x 10 mm)		
Bord biseauté	Avant et arrière		
Dépoussiérage.			
Diamètre extérieur du capteur de poussière	4 po (101,6 mm)		
Volume d'extraction minimal recommandé	400 CFM (0,5 CMM)		

Matériaux principaux			
Table principale du banc de scie	fonte		
Insert du banc	aluminium		
Ailes de prolongement	fonte		
Caisson	acier		
Base	acier		
Tourillon central	fonte		
Bras de palier	fonte		
Poulies	acier		
Dimensions générales			
Encombrement de la base	23 x 28 po (584 x 711 mm)		
Assemblé, avec les ailes de prolongement seulement, L x l x H	42-5/8 x 32-3/4 x 40-3/8 po (1083 x 832 x 1026 mm)		
Assemblé, avec ensemble de guide de 30 po, L x l x H	66-3/4 x 39-1/8 x 40-3/8 po (1694 x 993 x 1026 mm)		
Assemblé, avec ensemble de guide de 50 po, L x l x H	84-3/4 x 39-1/8 x 40-3/8 po (2151 x 993 x 1026 mm)		
Élévation de la roulette (approximative)	3/4 po (19 mm)		
Dimensions à l'expédition, scie seulement, L x l x H	29-7/8 x 33 x 43-1/2 po (760 x 840 x 1105 mm)		
Poids			
Scie seulement – poids net	385 lb. (175 kg)	405 lb. (184 kg)	398 lb. (181 kg)
Scie seulement – poids à l'expédition	535 lb. (243 kg)	555 lb. (252 kg)	548 lb. (249 kg)

¹ Remarque : Pour un fonctionnement de 460 V, un relais de surcharge (No de pièce PM2000B-2107BORA) doit être acheté séparément et installé. Un électricien qualifié est recommandé.

² Sous réserve des codes électriques locaux/nationaux.

³ Les valeurs spécifiées sont des niveaux d'émission et n'ont pas nécessairement à être considérées comme étant des niveaux de fonctionnement sécuritaires. Comme les conditions de travail varient, ces informations sont destinées à permettre à l'utilisateur de mieux estimer les dangers et les risques qui sont impliqués uniquement.

L = longueur, l = largeur, H = hauteur, P = profondeur

s/o = sans objet

5.1 Configurations de l'ensemble

	Numéros des matériaux		
	PM231B	PM251B	PM253B
Scie seulement			
Scie avec un ensemble de guide de 30 pouces, rallonge de banc en bois	PM23130K	PM25130K	PM25330K
Scie avec un ensemble de guide de 50 pouces, rallonge de banc en bois	PM23150K	PM25150K	PM25350K
Scie avec un ensemble de guide de 50 pouces et un élévateur pour toupie	PM23150RK	PM25150RK	PM25350RK
Scie avec un ensemble de guide de 50 pouces et un établi	PM23150WK	PM25150WK	PM25350WK

Tableau 2

Les spécifications dans ce manuel étaient en vigueur au moment de la publication, mais en raison de notre politique d'amélioration continue, Powermatic se réserve le droit de modifier les spécifications à tout moment, et ce sans préavis et sans obligation de sa part.



AVERTISSEMENT S'assurer de lire et de comprendre tout le contenu de ce manuel avant de tenter l'installation ou l'utilisation. Le non-respect des directives peut causer des blessures graves.

6.0 Configuration et assemblage

6.1 Contenu de l'expédition

Voir la Figure 6-1.

Retirez toutes les boîtes d'accessoires de la palette d'expédition. Retirez les articles du caisson intérieur. Ne jetez pas le carton ni l'emballage jusqu'à ce que la scie soit assemblée et fonctionne de manière satisfaisante.

Comparer le contenu de votre conteneur avec la liste de pièces ci-dessous pour s'assurer que toutes les pièces sont intactes. Toute pièce manquante devrait être signalée au distributeur. (Vérifiez la scie en premier lieu, au cas où des pièces aient été préinstallées).

- 1 Scie d'ébéniste avec interrupteur – **A**
- 2 Ailes de prolongement en fonte – **B**
- 1 Ensemble de jauge à onglets – **C**
- 1 Couvercle du moteur avec broches de charnière – **D**
- 1 Pousoir – **E**
- 1 Clé de l'arbre – **F**
- 1 Poignée d'élévation de la roulette – **G**
- 2 Poignées – **H**
- 1 Volant – **J**
- 1 Bouton de blocage du volant – **K**
- 1 Protecteur de lame – **L**
- 1 Couteau séparateur à profil bas – **M**
- 1 Couteau séparateur – **N**
- 1 Ensemble ensemble de linguets antirecul – **O**
- 1 Insert du banc (préinstallé) – **P**
- 1 Lame (préinstallée)
- 1 Fiche d'enregistrement du produit
- 1 Manuel d'instructions d'utilisation et de pièces
- 1 Ensemble de quincaillerie

6.1.2 Ensemble de quincaillerie #PM2000B-HP

Voir la Figure 6-2.

- 6 Vis à tête hexagonale, M10x35 (**HP1**)
- 6 Rondelles de blocage M10 (**HP2**)
- 6 Rondelles plates M10 (**HP3**)

REMARQUE : Les ensembles de guide et de rails avec leurs attaches, ainsi que les rallonges en bois et les pieds avec leurs attaches, sont expédiés dans des boîtes séparées.

6.2 Outils requis pour l'assemblage

Clé hexagonale 2,5 mm
Clés ouvertes : 14 mm, 17 mm
Bordure droite
Maillet en caoutchouc (ou marteau avec bloc de bois)

Remarque : Une clé à cliquet avec douilles permettra un montage plus rapide. Des outils supplémentaires peuvent être nécessaires pour le montage du guide et des rails.

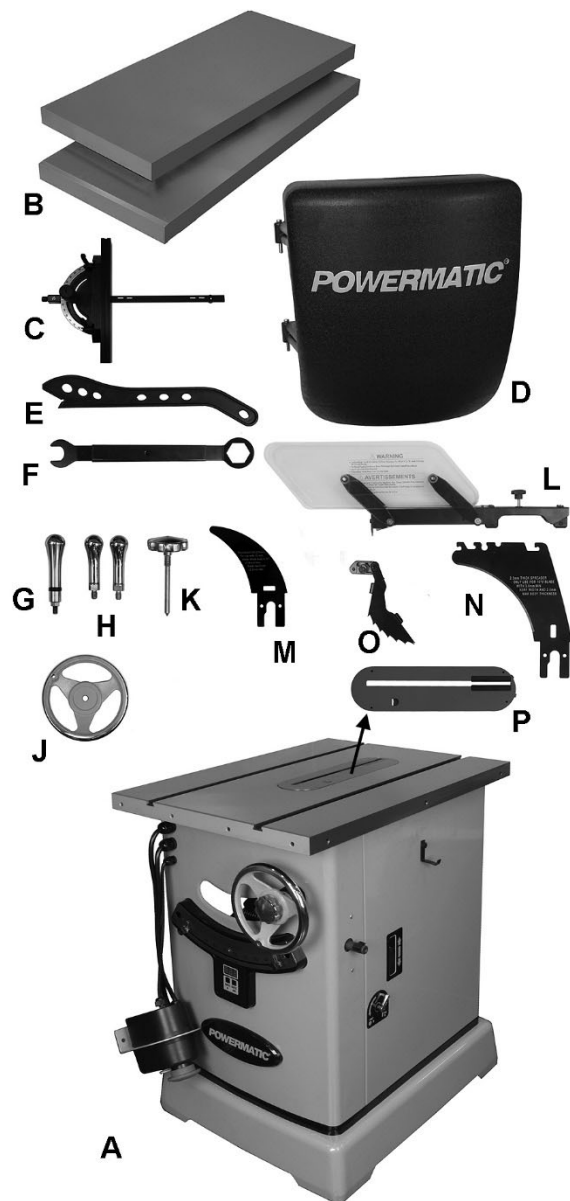


Figure 6-1 (éléments pas à l'échelle)

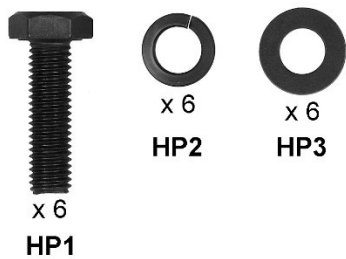


Figure 6-2 Ensemble de quincaillerie (PM2000B-HP)



La scie doit être déconnectée de l'alimentation pendant son assemblage. Le non-respect des directives peut causer des blessures graves.

6.3 Déballage et nettoyage

1. Utilisez un palan pour soulever la scie de la palette; ou enlevez les planches clouées qui maintiennent le caisson de la scie à la palette et faites glisser la scie hors de la palette sur le plancher. (Faites attention à ne pas endommager le système de roulettes en la faisant glisser hors de la palette.)
2. Le caisson de la scie doit être placé sur un sol stable, dans un endroit bien aéré et suffisamment éclairé. Prévoyez suffisamment d'espace autour de la machine pour montage des rallonges et des ensembles de rails, pour le chargement et le déchargement du stock, et pour les travaux d'entretien général.
3. Les surfaces métalliques exposées, comme le dessus du banc et les rallonges, ont été recouvertes en usine d'un revêtement protecteur. Il doit être enlevé à l'aide d'un chiffon doux imbibé de kérosène ou d'un nettoyant dégraissant. N'utilisez pas d'acétone, d'essence ou de diluant à peinture-laque à cette fin. N'utilisez pas de solvants sur les pièces en plastique, et évitez d'utiliser un tampon abrasif, car cela risque de rayer les surfaces.

6.4 Installer les rallonges

Voir la Figure 6-3.

1. Les bords du banc et des rallonges qui s'emboîtent doivent être propres et sans bavures.
2. Installez une rallonge (B) au banc de scie. (Les rallonges sont identiques). Utilisez trois vis, rondelles de blocage et rondelles plates (HP-1/2/3). Serrez légèrement les vis avec une clé ou une douille de 17 mm. **NE PAS SERRER COMPLÈTEMENT À CE MOMENT.**

Astuce d'assemblage : Si vous faites cela sans assistant, soulevez la rallonge perpendiculairement au bord du banc. Installez la vis centrale et les rondelles, et serrez. Faites ensuite pivoter la rallonge pour qu'elle soit parallèle au banc de scie pour insérer les deux vis restantes.

3. Répéter l'opération pour la rallonge opposée. Serrez légèrement les vis. **NE PAS SERRER COMPLÈTEMENT À CE MOMENT.**
4. Le bord avant de l'oreille doit rester à égalité avec le bord avant du banc de scie. Si nécessaire, tapotez le bord avant de la rallonge avec un maillet en caoutchouc pour qu'elle soit à ras. Voir la Figure 6-4.

6.4.1 Mettre les rallonges à niveau

Ajustez les rallonges au banc de scie en utilisant une règle de vérification. Une règle de vérification en métal est idéale, même s'il est également possible d'utiliser une planche soigneusement jointée.

Deux méthodes sont décrites ci-dessous : une avec un maillet en caoutchouc, l'autre avec des pinces sur les bords du banc.

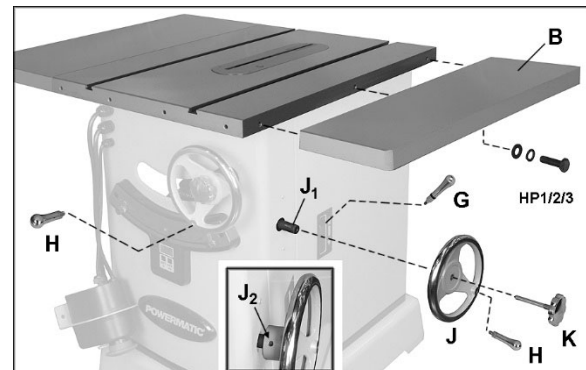


Figure 6-3 : Installer les accessoires

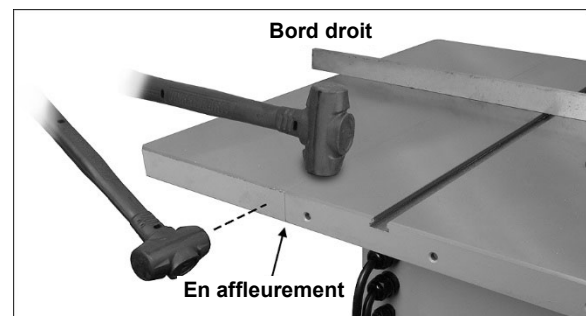


Figure 6-4 : mettre à niveau les rallonges, méthode 1

Méthode 1 (Figure 6-4) :

1. Déplacez la rallonge de façon à ce qu'elle soit légèrement au-dessus de la surface du banc de scie.

- Commencez par serrer les trois vis sous la rallonge qui la fixent au banc de scie. Serrez-les juste assez pour maintenir la rallonge en place, mais gardez-les suffisamment desserrées pour modifier la hauteur de la rallonge en tapotant dessus. (Tapez avec un maillet en caoutchouc, ou utilisez un marteau sur un bloc de bois plat. N'utilisez jamais de marteau à tête en acier directement sur le banc.
- Posez une règle de vérification sur le banc de scie et la rallonge, en l'étendant au-delà du bord de la rallonge, comme illustré dans la figure 6-4.
- Déplacez la règle de vérification à plusieurs endroits le long de la rallonge, tout en continuant à tapoter l'aile pour la mettre au niveau du banc de scie. Faites également passer le bout de vos doigts sur la jonction pour vous assurer que la transition se fait en douceur. Au fur et à mesure que chaque zone de la rallonge est positionnée au ras du banc, serrez la vis sous cette zone. Continuez jusqu'à ce que les trois vis soient bien serrées. **REMARQUE :** Assurez-vous que le bord avant de l'oreille reste à égalité avec le bord avant du banc de scie.
- Répétez les étapes ci-dessus pour la rallonge opposée.

Méthode 2 (Figure 6-5) :

- Suivez les étapes 1 à 3 de la méthode 1.
- Placez des pinces sur la jonction, une à l'avant et une à l'arrière du banc. Utilisez un tampon ou un bloc plat sous le bras de serrage pour éviter d'endommager la surface du banc. Voir la Figure 6-5.
- Serrez les deux pinces pour aligner les bords avant et arrière des tables. Assurez-vous que le bord avant de l'oreille reste à égalité avec le bord avant du banc de scie.
- Serrez progressivement les vis, et placez la règle de vérification à divers endroits de la jonction, surtout au centre. Effectuez d'autres ajustements selon les besoins.
- Resserrer complètement les vis.



Figure 6-5 : mettre à niveau les rallonges, méthode 2

6.5 Volant, boutons, leviers

Voir la Figure 6-3.

- Enlevez le ruban adhésif autour de l'arbre pour exposer les filets et la clavette d'arbre (J₁, Figure 6-3).
- Assurez-vous que la vis de calage du volant (J₂) est suffisamment desserrée pour éviter toute interférence.
- Assurez-vous que la clavette est dans la fente. Faites glisser le volant sur l'arbre en alignant la rainure de clavette avec la clavette.
- Poussez le volant sur l'arbre jusqu'à son maximum, puis serrez la vis de calage (J₂).
- Installez le bouton de verrouillage (K, figure 6-3) et les poignées (H). Utilisez la clé sur les poignées à plat pour les serrer contre les volants.

6.6 Rails et guide

Une fois les rallonges correctement montées, l'ensemble des rails et de l'Accu-Fence^{MD} peuvent maintenant être montés sur la scie. Consultez le mode d'emploi M-2195079B qui accompagne le guide, puis continuez vers la *section 6.7* ci-dessous.

6.6.1 Support d'interrupteur

Voir la Figure 6-6.

Le support d'interrupteur est installé en même temps que le tube de guidage. Utilisez deux vis avec rondelles qui sont fournies avec les rails.

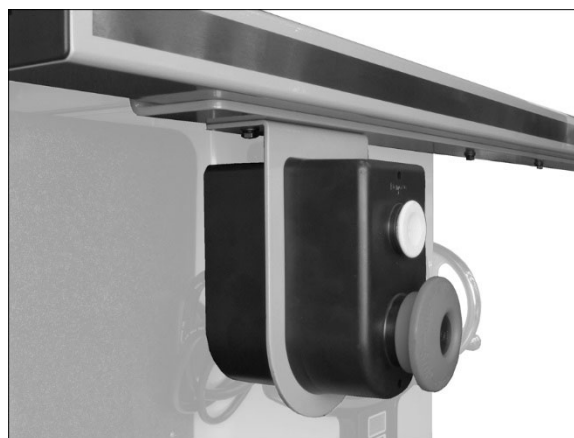


Figure 6-6 : Installer l'interrupteur

6.6.2 Table à rallonges en bois

Pour plus d'informations sur le montage de la table à rallonges en bois, consultez le manuel Accu-Fence M-2195079B.

6.7 Capot du moteur

Voir la Figure 6-7.

Glissez les broches du capot du moteur dans les charnières de la scie. Fermez le couvercle du moteur jusqu'à ce qu'il s'enclenche sur les poteaux de la scie.

Remarque : Le mécanisme de verrouillage peut nécessiter un ajustement pour permettre une fermeture appropriée. Desserrez la vis et modifiez la position selon les besoins. Resserrer la vis.



Figure 6-7 : Installer le couvercle du moteur

6.8 Insert du banc

Voir la Figure 6-8.

Placez la plaque amovible dans l'ouverture du banc. Vérifiez que la plaque amovible est bien au ras de la surface du banc en plaçant une règle de vérification à différents endroits. Si la plaque amovible n'est pas au ras sur toute sa longueur, tournez l'une des 4 vis de calage pour soulever ou abaisser la zone de la plaque amovible.

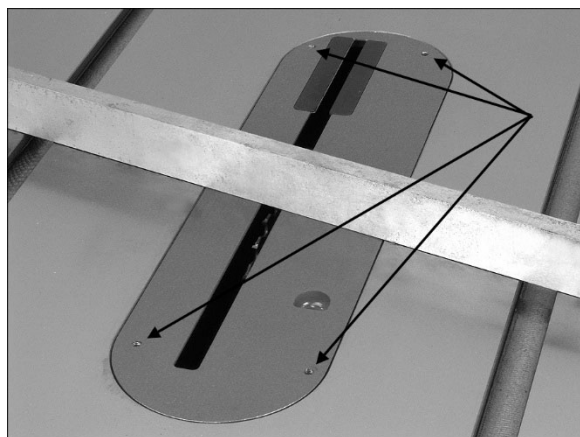


Figure 6-8 : soulever la plaque amovible

6.9 Installer et démonter la lame



Soyez prudent quand vous travaillez avec ou près des lames de scie tranchantes pour éviter les blessures.

Voir la Figure 6-9.

1. Déconnecter la machine de la source d'alimentation.
2. Retirer l'insert du banc.
3. Relevez l'arbre à lame sur la position la plus haute, et réglez l'inclinaison de la lame sur 0°.
4. Installez la lame sur l'arbre, en vous assurant que les dents soient orientées vers l'avant de la scie.
5. Installez la bride et l'écrou comme indiqué.
6. Appuyez sur le levier et maintenez-le enfoncé (R, Figure 6-9), et tournez la lame jusqu'à ce que le verrouillage de l'arbre s'enclenche. Serrez l'écrou dans le sens horaire avec la clé fournie. Ne pas trop serrer l'écrou.

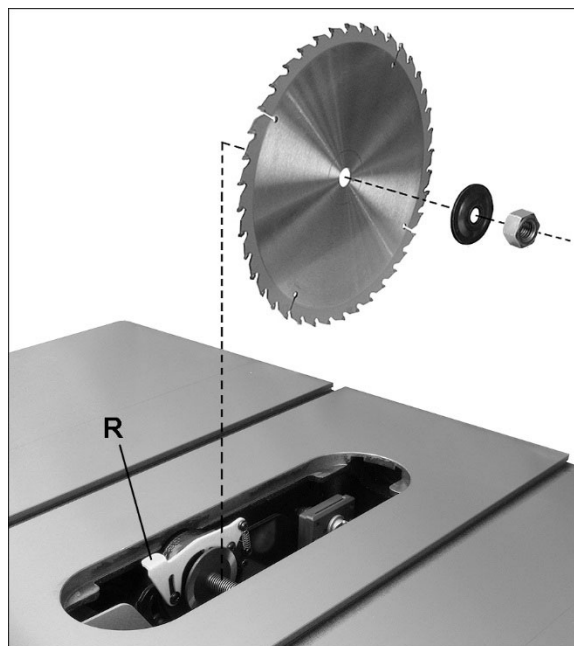


Figure 6-9 : Installer la lame

7. Pour démonter la lame, enclenchez le verrouillage de l'arbre et retirez l'écrou avec la clé.

6.10 Installer l'ensemble de protection/couteau

Voir la Figure 6-10.

6.10.1 Couteau séparateur

1. Retirer l'insert du banc.
2. Relevez l'arbre à lame sur la position la plus haute, et réglez l'inclinaison de la lame sur 0°.
3. Tirez vers le haut le levier de la pince (S₁, Figure 6-9). Le pinceur de travail (S₂) est à ressort et il s'écartera de la base fixe en laissant un espace libre.

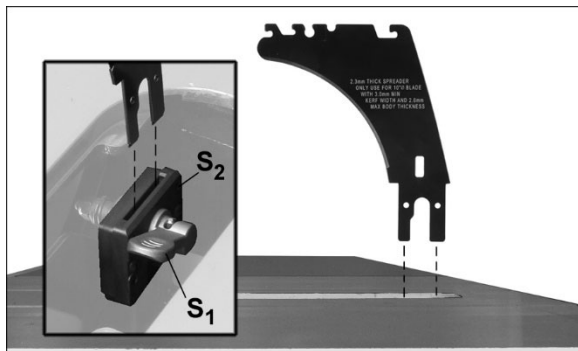


Figure 6-10 : Installer l'ensemble de protection

4. Faites glisser les broches du couteau séparateur (N) dans la fente de la base de serrage, et enfoncez le couteau séparateur au maximum.
5. Enfoncez le levier de la pince (S₁) en position fermée.
6. Le couteau séparateur doit être parallèle à la lame de scie. Voir la section 8.7 pour l'inspection et les réglages.

REMARQUE : Un couteau séparateur à profil bas est également fourni pour réaliser des coupes non traversantes sur le banc de scie.

6.10.2 Linguets antireculs

Voir la Figure 6-11 et 6-12.

1. Installez la plaque amovible dans le banc.
2. Appuyez et maintenez le bouton (O₁) situé sur le côté opposé de la tête pour libérer la goupille d'arrêt. Montez le antireculs droit vers le bas, à l'emplacement indiqué à la Figure 6-11.

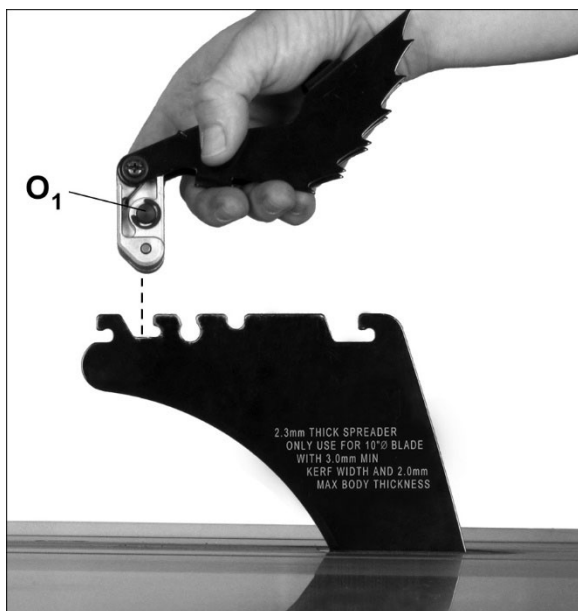


Figure 6-11

3. Faites pivoter la tête et poussez-la vers le bas (Figure 6-12) jusqu'à ce que vous entendiez

un clic audible. Assurez-vous que vous entendez le clic pour vérifier que l'ensemble du antireculs est sécurisé.

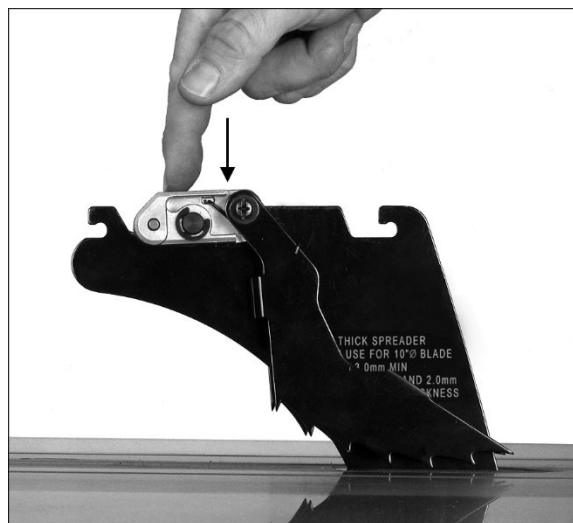


Figure 6-12

6.10.3 Protecteur de lame

Voir la Figure 6-13.

1. Poussez les plaques de protection (E, Figure 6-12) vers le haut et vers l'avant jusqu'à ce qu'elles se prennent dans les bouchons (F).
2. Abaissez le protège-lame sur le couteau diviseur et poussez-le vers l'arrière pour le mettre en place.
3. Serrez le bouton (G).
4. Abaissez les feuilles de protection (E) et laissez-les tomber sur la table.
5. Inverser la procédure pour enlever la protection.

IMPORTANT : Le bouton (G) doit être serré avant d'utiliser la scie avec la protection en place.

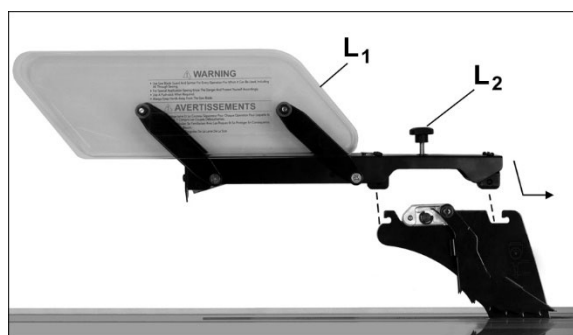


Figure 6-13



La protection, le couteau séparateur et les ensembles de linguets doivent être solidement installés et les plaques doivent être en contact avec le banc avant de commencer toute opération de coupe traversante.

La base de serrage du couteau séparateur est ajustée par le fabricant, et aucun réglage supplémentaire du protecteur de lame et de l'ensemble du couteau séparateur ne devrait être nécessaire. Toutefois, **il est très important d'avoir un bon alignement.** Avant d'utiliser le banc de scie, veuillez lire la *section 8.7, Alignement du couteau séparateur*, pour vérifier et suivre la procédure de réglage le cas échéant.

6.11 Capteur de poussière

Il est fortement recommandé d'utiliser un système de récupération des poussières (non fourni) pendant l'opération de sciage sur le banc. Cela aidera à garder l'atelier propre, tout en prévenant les problèmes de santé potentiels provoqués par l'inhalation de poussière.

Assurez-vous que le tuyau interne est inséré dans le capteur de poussière externe (Figure 6-11). Raccordez le flexible de votre système de récupération des poussières au capteur de poussière de 4 pouces à la base de la scie, et fixez-le avec un collier de durite (non fourni).



Figure 6-11

7.0 Connexions électriques

AVERTISSEMENT Les connexions électriques doivent être effectuées par un électricien qualifié conformément à tous les codes applicables. Cette machine doit être correctement mise à la terre pour éviter les chocs électriques et les éventuels blessures mortelles.

Le PM2000B n'est pas équipé d'une fiche d'alimentation électrique. Vous pouvez soit brancher la prise appropriée homologuée UL/CSA, soit « câbler » la machine directement sur votre panneau électrique pourvu qu'il y ait un interrupteur général près de la machine pour l'opérateur. Consultez les dessins d'électricité dans la *section 15.0* pour obtenir plus de précisions sur le câblage.

Avant de connecter la machine à l'alimentation, assurez-vous que l'interrupteur est dans la position *arrêt*.

Il est recommandé de raccorder les bancs de scie monophasés 3HP et triphasés 5HP à un circuit dédié de 20 ampères avec disjoncteur ou fusible.

La scie monophasée 5HP doit être connectée à un circuit de 30 ampères avec disjoncteur ou fusible.

S'il est connecté à un circuit qui est protégé par un fusible, utilisez le fusible temporisé étiqueté « D ». **Les codes locaux ont priorité sur les recommandations.**

7.1 INSTRUCTIONS DE MISE À LA TERRE

Cette machine doit être mise à la terre. En cas de dysfonctionnement ou de panne, la mise à la terre fournira un passage de résistance moindre au courant électrique, réduisant ainsi le risque d'électrocution. Cet outil est équipé d'un câble électrique avec un conducteur de terre pour l'équipement. Une fiche n'est pas fournie. Une fiche homologuée UL/CSA appropriée peut être installée, sinon la machine peut être « câblée » à un panneau de circuit. Si elle est câblée, assurez-vous que l'opérateur dispose d'un système de débranchement.

Une connexion inadéquate du conducteur de mise à la terre de l'équipement peut provoquer un risque d'électrocution. Le conducteur avec isolant ayant une surface extérieure verte avec ou sans rayures jaunes est l'équipement de mise à la terre du conducteur. Si la réparation ou le remplacement du câble ou d'une prise électrique est nécessaire, ne connectez pas le conducteur de mise à la terre de l'équipement à une borne sous tension.

AVERTISSEMENT Vérifiez auprès d'un électricien qualifié ou du personnel d'entretien si les instructions de mise à la terre ne sont pas parfaitement comprises, ou en cas de doute sur la mise à la terre correcte de l'outil. Le non-respect des directives peut causer des blessures graves ou mortelles.

Réparez ou remplacez immédiatement la rallonge endommagée ou usée.

7.2 Conversion de tension (modèle triphasé uniquement)

1. Retirez le couvercle du transformateur à l'arrière de la machine et déplacez le fusible de la position 230V à la position 460V sur le transformateur.
2. Branchez les câbles d'alimentation au moteur pour un fonctionnement en 460 volts, conformément au schéma électrique sur l'intérieur du couvercle de la boîte de connexion du moteur. Un schéma similaire se trouve dans la *section 15.0* de ce manuel. (*En cas de divergence, le schéma dans la boîte de connexion est prioritaire.*)
3. Remplacez le relais à maximum de 230V par un relais à maximum de 460V (achat

supplémentaire, référence PM2000B-2107BORA).

4. Si vous utilisez une fiche, la fiche de 230V doit être remplacée par une fiche homologuée UL/CSA de 460V.

7.3 Rallonges

UTILISEZ UNE RALLONGE APPROPRIÉE. Assurez-vous que votre rallonge est en bon état. Lorsque vous utilisez une rallonge, assurez-vous d'en utiliser une qui soit assez puissante pour supporter le courant que votre produit nécessitera. Une rallonge qui est trop faible entraînera une baisse de tension, ce qui causera une perte de puissance et la surchauffe de la machine. Le tableau 3 illustre la bonne taille à utiliser en fonction de la longueur de la rallonge et de l'intensité indiquée sur la plaque signalétique. Dans le doute, utilisez la jauge de calibre supérieur suivante. Plus le numéro de la jauge est petit, plus puissante est la rallonge.

Intensité nominale		Volts	Longueur totale de la rallonge (pieds)			
Plus de	Pas plus de		240	50	100	200
			AWG			
0	6		18	16	16	14
6	10		18	16	14	12
10	12		16	16	14	12
12	16		14	12	Non recommandé	

Tableau 3 : recommandations pour la rallonge

7.4 Commutateur magnétique et clé de sûreté

Reportez-vous à la Figure 7-2

Voyant d'alimentation – L'interrupteur de mise en marche a un voyant d'alimentation qui reste allumé **lorsque la scie est connectée à l'alimentation** et donc pas seulement lorsque la scie est en marche. **Ne croyez pas qu'une absence de lumière signifie que la machine n'est pas alimentée.** Si l'ampoule est mauvaise, il n'y aura aucune indication. Vérifiez toujours avant utilisation.



AVERTISSEMENT Ne comptez pas sur le fait qu'une absence de lumière signifie que la machine n'est pas alimentée. Vérifiez toujours l'alimentation en premier lieu. Le non-respect des directives peut causer des blessures graves.

Démarrer – Appuyez sur l'interrupteur de démarrage vert.

Lorsque l'alimentation est connectée à la machine, le voyant vert est toujours allumé, que la scie fonctionne ou pas.

Arrêt – Appuyez sur l'interrupteur rouge pour arrêter.

Réinitialisation – Si la scie s'arrête sans appuyer sur l'interrupteur d'arrêt, à la suite d'un fusible ou d'un disjoncteur déclenché :

1. Appuyez sur le bouton rouge pour réinitialiser.
2. Appuyez sur le bouton vert pour redémarrer la machine.

7.4.1 Clé de sûreté

L'interrupteur est équipé d'une clé de sûreté magnétique. Lorsqu'elle est placée sur l'interrupteur, tel qu'illustré à la figure 7-2, la clé de sûreté déclenche un relais lequel permettra à la machine de démarrer et d'arrêter lorsque les interrupteurs respectifs sont appuyés. Comme elle est magnétique, la clé de sûreté peut être retirée afin de rendre la machine inutilisable et peut être cachée pour un entreposage sécuritaire en la fixant sous le guide ou sous une autre surface magnétique.

Lorsque vous utilisez la scie, placez la clé sur le cache-interrupteur de façon à ce que la flèche sur la clé soit alignée avec la flèche RETIRER sur le dessus du cache-interrupteur. Puis, tournez la clé de façon à ce que la flèche soit alignée avec la flèche de VERROUILLAGE. Cela empêche que la clé de sûreté devienne lâche à cause de la vibration lorsque la machine fonctionne.

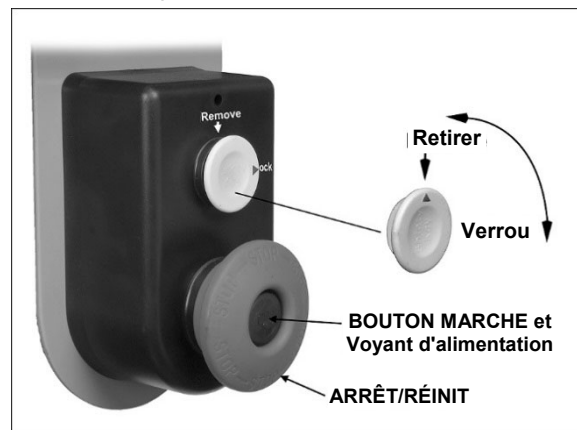


Figure 7-2

8.0 Ajustements

8.1 Outils requis pour les ajustements

Clés hexagonales : 2,5 mm, 3 mm, 4 mm
Clés : 13 mm, 19 mm, 22 mm (ou ajustable)
Bordure droite
Équerre

8.2 Alignement du guide

Avant d'utiliser l'Accu-Fence^{MD}, vérifiez qu'il est bien aligné avec la lame. Consultez le manuel M-2195079B qui accompagne le guide.

8.3 Levage et inclinaison de la lame

Voir la Figure 8-1.

Pour lever ou abaisser la lame, desserrez le bouton de verrouillage (A, figure 8-1) et tournez le volant à main (B) sur l'avant de la scie jusqu'à atteindre la hauteur voulue. Serrez le bouton de verrouillage (C). La lame doit être soulevée sur environ 1/8 po au-dessus de la surface supérieure du matériau à couper.

Pour incliner la lame, desserrez le bouton de verrouillage (C) et tournez le volant (D) jusqu'à obtenir l'angle voulu, comme cela est illustré sur l'échelle d'inclinaison ou le DRO. Resserrez le bouton de verrouillage (C).

Le DRO, l'affichage numérique (E) affiche l'angle pour accélérer le positionnement. Voir la *section 8.10* pour la calibration du DRO.

Les pointeurs de référence (F) peuvent être positionnés à n'importe quel endroit le long de l'échelle; desserrez le bouton et glissez le pointeur jusqu'à sa position, puis serrez le bouton. Ils fournissent un point de référence rapide pour aligner l'indicateur d'angle.

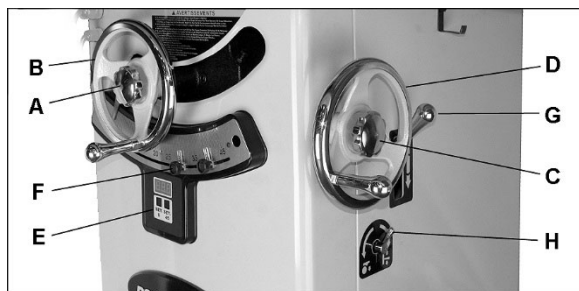


Figure 8-1 : réglages de la lame

8.4 Mécanisme de roulettes

Pour enclencher le système des roulettes, actionnez la poignée (G, figure 8-1) environ 4 ou 5 fois.

Désactivez le système des roulettes en tournant la poignée (H) dans le sens antihoraire. **Les roulettes doivent être désactivées avant d'utiliser la scie.**

Note: Il est recommandé que la scie soit abaissée en position de repos après avoir été déplacée à l'endroit désiré. S'il est laissé en position relevée pendant une période prolongée, la scie se stabilisera graduellement au sol - c'est normal.

8.5 Jauge à onglets

Référez-vous aux figures 8-2 et 8-3.

8.5.1 Réglage de l'angle des onglets

La jauge à onglets est équipée d'un système à pignon et crémaillère pour régler l'angle. Pour faire fonctionner :

1. Faites glisser la jauge à onglets dans la fente du banc.
2. Desserrez la poignée de verrouillage (H, Figure 8-2) en tournant dans le sens antihoraire.
3. Tirez sur le bouton à ressort (J) et tournez le bouton jusqu'à ce que le corps (K) de la jauge à onglets soit à l'angle voulu, comme indiqué sur l'échelle.
4. Serrer la poignée de verrouillage (H)

8.5.2 Réglages aux échancrures

Il y a des échancrures à 0°, 30° et 45° dans les positions droite et gauche. À ces réglages, relâchez le bouton (J) pour s'enclencher dans l'échancrure. Puis, serrez la poignée de verrouillage (H)

Remarque : Ne vous fiez pas uniquement aux échancrures pour avoir un réglage précis. Quand la tige à butée est enclenchée dans les positions 0°, 30° et 45°, effectuez un réglage précis avec le bouton (J) si nécessaire, en le réglant par rapport à l'indicateur sur l'échelle (L).

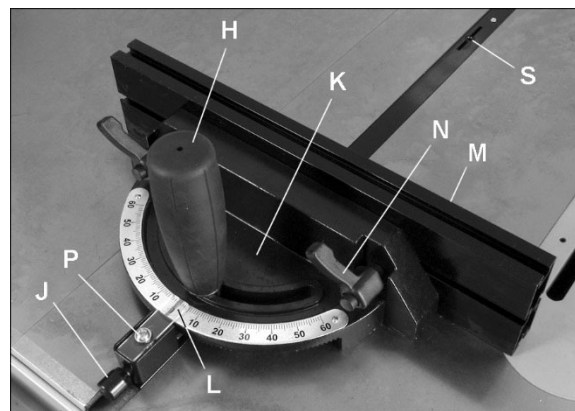


Figure 8-2

8.5.3 Guide de la jauge à onglets

Le guide de la jauge à onglets (M, Figure 8-2) peut être ajusté en le glissant vers la droite ou la gauche, ou enlevé complètement.

Pour le régler, desserrez les deux poignées de verrouillage (N), faites glisser le guide et resserrez les poignées de verrouillage. **Assurez-vous que**

l'extrémité du guide ne se trouve pas dans le passage de la lame.

REMARQUE : Les poignées de verrouillage (N) sont réglables. Tirez sur la poignée, faites-la pivoter dans une autre position, puis relâchez-la en vous assurant qu'elle se place sur la goupille.

Pour retirer le guide de la jauge à onglets, faites-le glisser complètement et retirez les poignées de verrouillage (N) et les pièces de montage.

8.5.4 Étalonnage de la jauge à onglets

1. Placez la jauge à onglet dans la fente de la table.
2. Réglez la jauge à onglets à 90° à la lame (réglage de 0° sur l'échelle) en desserrant la poignée de verrouillage (H, Figure 8-2), puis en retirant le bouton à ressort (J) et le corps de tournage (K) jusqu'à ce que 0° soit indiqué sur l'échelle.
3. Mesurer la précision de la jauge d'onglet contre la fente avec un carré.

Si un ajustement est nécessaire :

4. Réglez le corps (K) jusqu'à ce qu'il soit carré (90°) à la fente de l'onglet.
5. Serrer la poignée de verrouillage (H)
6. Vérifier que l'indicateur de l'échelle (L) indique 0°. Si ce n'est pas le cas, desserrez la vis (P) et réglez l'indicateur (L) jusqu'à ce qu'il indique 0°. Resserrer la vis (P).
7. Si la procédure ci-dessus ne permet pas d'aligner correctement la jauge à onglets, desserrez deux vis (R, Figure 8-3) sous le montoir et déplacez-le selon les besoins. Resserrer les vis quand vous avez terminé.

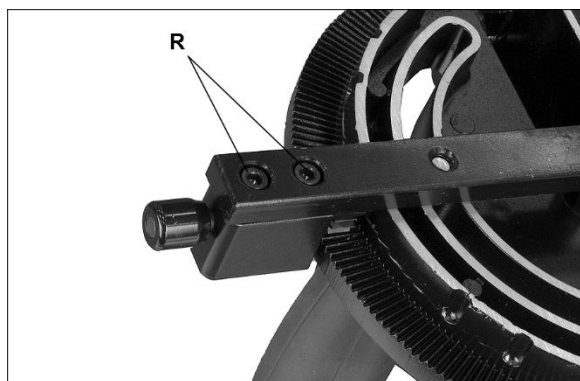


Figure 8-3

REMARQUE : La barre de la jauge à onglets comporte deux fentes avec des vis de calage (S, figure 8-2). Ajustez ces vis de calage pour éliminer le jeu entre la barre et la fente des onglets.

8.6 Réglage de la butée d'inclinaison de la lame

Les butées pour les inclinaisons à 90° et 45° et l'élévation de la lame ont été réglées en usine, et elles ne devraient pas nécessiter de réglage immédiat. Les réglages doivent toutefois être confirmés par l'opérateur, surtout si les coupes deviennent imprécises. Les deux butées d'inclinaison sont situées sur le tourillon.

8.6.1 Butée d'inclinaison à 90°

1. Déconnecter la machine de la source d'alimentation.
2. Veillez à ce que la plaque amovible soit à niveau avec la surface du banc (sect. 6.8).
3. Relevez la lame à sa position maximale et placez une équerre sur le banc et contre la lame (Figure 8-4). Assurez-vous qu'une dent de lame n'obstrue pas l'affichage.
4. Inclinez la lame avec le volant jusqu'à ce que l'équerre soit contre la lame.
5. Si un réglage est nécessaire, desserrez l'écrou sur la vis de retenue à 90° (figure 8-5) avec une clé de 13 mm et tournez la vis à la bonne hauteur. Vérifiez le réglage et resserrer l'écrou contre le tourillon.
6. Vérifiez la position du pointeur sur l'échelle (Figure 8-5). Si nécessaire, desserrez la vis et ajustez le pointeur sur zéro. Resserrer la vis.

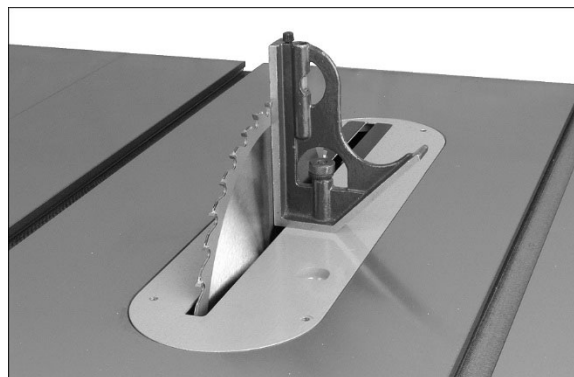


Figure 8-4

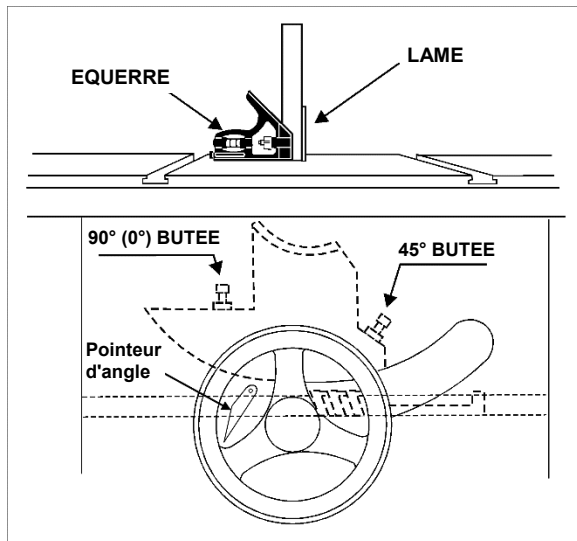


Figure 8-5 : butées de lame

8.6.2 Butée d'inclinaison à 45°

Suivez la même procédure que celle ci-dessus, mais avec la lame inclinée à 45°, comme indiqué sur la figure 8-6.

Réglez la butée sur 45° comme indiqué sur la figure 8-5. Confirmer le réglage, puis resserrer l'écrou.

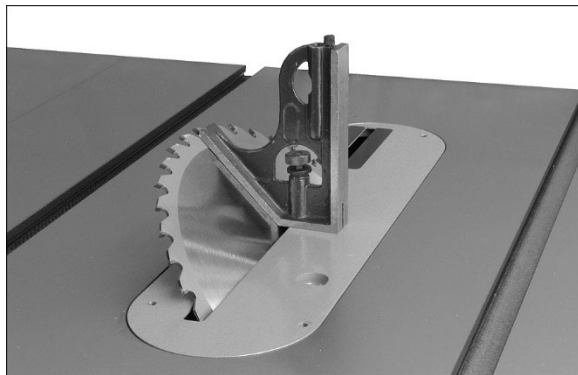


Figure 8-6

8.7 Alignement du couteau séparateur

8.7.1 Alignement latéral

La lame de scie et le couteau de coupe doivent être aussi étroitement alignés que possible (alignement latéral) pour prévenir le rebond. Cela devrait être vérifié avant l'installation initiale du protecteur de lame et du couteau séparateur. L'alignement devrait également être réaffirmé après chaque changement de lame.

Inspectez l'alignement comme suit :

1. Retirez le protecteur de lame et l'ensemble de linguets.
2. Placez une règle droite sur la table afin qu'elle repose contre la lame et le couteau

séparateur. Voir la Figure 8-7. Faites pivoter la lame afin que la partie supérieure de la dent de la lame touche la règle droite.

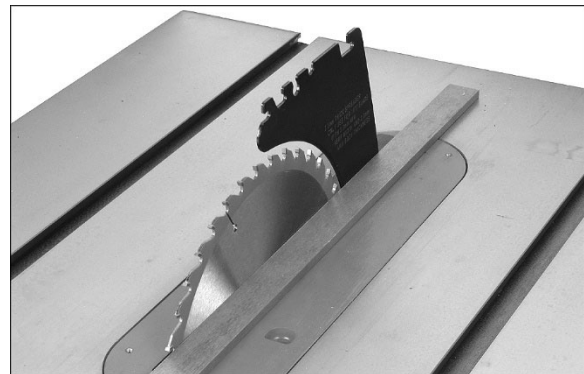


Figure 8-7

La lame de la scie et le couteau séparateur doivent être alignés. Si un ajustement est nécessaire :

3. Tirez le levier (A, Figure 8-8), puis retirez le couteau séparateur, en notant la direction vers laquelle le couteau séparateur doit être déplacé afin de l'aligner avec la lame de scie.
4. Utilisez une clé hexagonale de 3 mm pour effectuer des réglages sur quatre vis de pression (B, Figure 8-8). Réglez l'une des vis de réglage nécessaires pour aligner le couteau séparateur avec la lame de scie.
5. Réintroduisez le couteau séparateur, fixez celui-ci en serrant le levier (A) et vérifiez l'alignement à chaque fois que vous êtes à l'étape 2.
6. Répétez les étapes 3 à 5 jusqu'à ce que l'alignement soit correct.

8.7.2 Alignement de la proximité de la lame

L'espace entre la lame de la scie et le couteau séparateur doit être d'une largeur se trouvant entre 3 mm (0,12 po) et 8 mm (0,32 po). Voir la Figure 8-9.

Si un ajustement est nécessaire, notez si l'espace entre la lame et le couteau doit être augmenté ou diminué. Puis, ajustez comme suit :

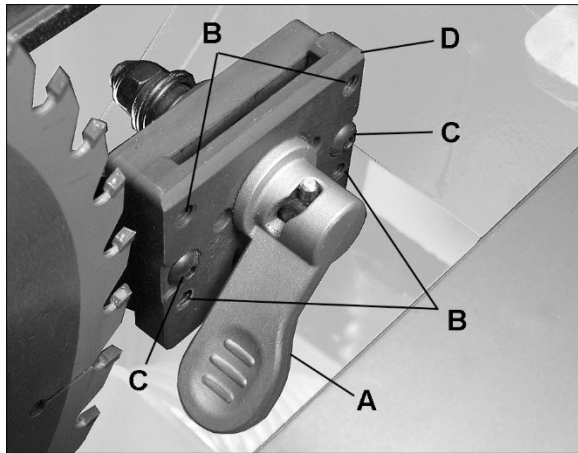


Figure 8-8

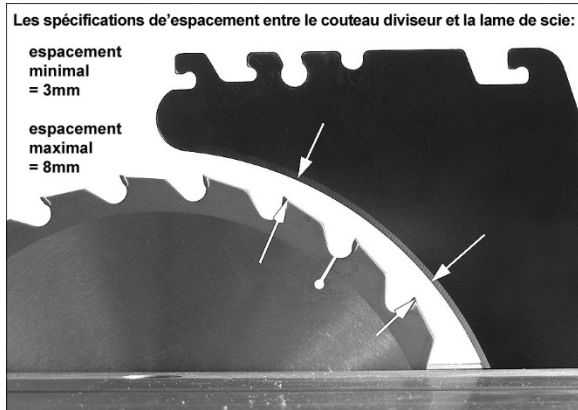


Figure 8-9

7. Retirez le protecteur de lame, l'ensemble à cliquet, l'insert du banc et le couteau séparateur.
 8. Utilisez une clé hexagonale de 3 mm pour desserrer deux vis bouton à pans creux (C, Figure 8-8). Cela permettra au pinceur de travail (D) de bien glisser dans les deux sens sur la base fixe.
- Faites glisser le pinceur de travail (D) en s'approchant ou en s'éloignant de la lame de la scie, au besoin. Essayez de rendre les écarts aussi réguliers que possible.
9. Resserrer les vis (C).
 10. Réinsérez le couteau séparateur; engagez le levier (A) et vérifiez que l'espace entre la lame de scie et le couteau fait entre 3 et 8mm (Figure 8-9).

8.8 Alignement du banc avec la lame

Voir les Figures 8-10 et 8-11.

Le banc est mis à l'équerre par rapport à la lame par le fabricant, et aucun réglage ne devrait être nécessaire pour l'instant. Si les coupes deviennent imprécises, vérifiez l'équerrage du banc/lame, et corrigez si nécessaire.

1. Déconnectez la scie de la source d'alimentation.
2. Levez la lame à la hauteur maximale.
3. Marquez une dent (A, Figure 8-10) avec un crayon gras, et placez la dent légèrement au-dessus du bord supérieur du banc à l'avant.
4. Soulevez légèrement la jauge à onglets hors de sa fente pour servir d'épaulement. En utilisant une équerre-trusquin (B) contre le côté de la barre, faites glisser l'échelle jusqu'à ce qu'elle touche le bout de la lame et verrouillez-la dans sa position.

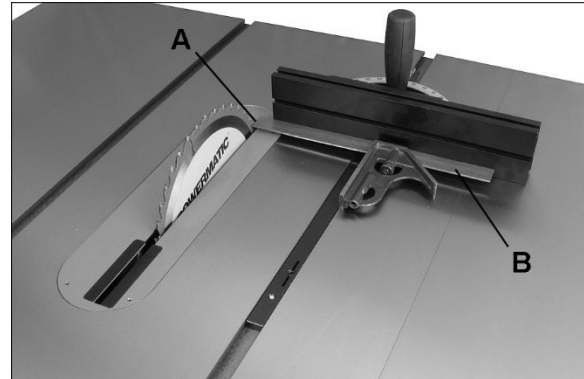


Figure 8-10

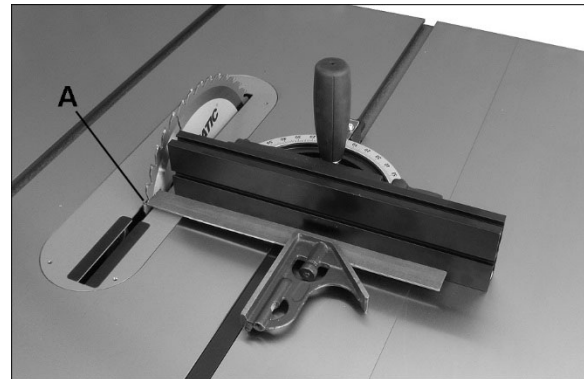


Figure 8-11

5. Faites pivoter la dent marquée (A) de façon à ce qu'elle soit légèrement au-dessus du plateau du banc à l'arrière, en utilisant l'équerre comme précédemment pour vérifier que la distance par rapport à la lame est identique. Voir la Figure 8-11. Si les deux distances ne sont pas identiques, notez bien la différence.
6. Desserrez les vis du banc (*article 24, section 14.1.1*), et tapotez sur le banc en fonction de la distance que vous avez notée.
7. Reserrer fermement les vis.
8. Vérifiez l'alignement, le réglage du pointeur d'angle, le réglage du guide, etc. Effectuez les ajustements nécessaires.

8.9 Ajustement de la courroie

8.9.1 Tension de la courroie

Voir la Figure 8-12.

La tension de la courroie d'entraînement devrait être inspectée après les premiers jours de fonctionnement, car une courroie peut s'étirer légèrement lors l'utilisation initiale; Inspectez-la régulièrement par la suite.

Pour resserrer la courroie :

1. Déconnecter la machine de la source d'alimentation.
2. Desserrez la vis (C, fig. 8-12) avec une clé de 17 mm.
3. Desserrez légèrement l'écrou (D) avec une clé de 1-1/4 po (ou ajustable).
4. Poussez le moteur vers la droite et serrez la vis (C) pour tendre la courroie. Resserrer l'écrou (D). Vérifier la tension appropriée en poussant la courroie à mi-chemin entre les poulies; la déviation devrait être d'environ 1/2 pouce.

Si la courroie présente des signes d'usure, d'effilochage, de fissures, etc., elle doit être remplacée en procédant comme suit.

8.9.2 Remplacement de la courroie

Voir la Figure 8-12.

1. Abaissez complètement le tourillon.
2. Desserrez la vis (C) avec une clé de 17 mm.
3. Desserrez légèrement l'écrou (D) avec une clé de 1-1/4 po (ou ajustable).
4. Pivotez le moteur vers la gauche pour relâcher la tension.
5. Remplacer la courroie.
6. Poussez le moteur vers la droite et serrez la vis (C) pour tendre la nouvelle courroie. Resserrer l'écrou (D). Vérifier la tension appropriée en poussant la courroie à mi-chemin entre les poulies; la déviation devrait être d'environ 1/2 pouce.

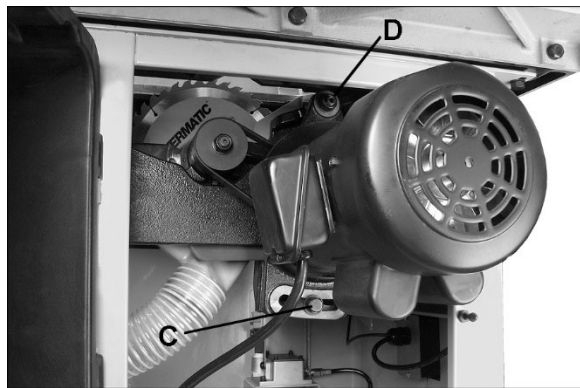


Figure 8-12

8.10 Calibration et utilisation du DRO

Quand les butées d'inclinaison de la lame à 0° et 45° ont été vérifiées, le compteur numérique (DRO) peut être étalonné pour correspondre aux réglages.

Sect. 8.10.1 décrit la procédure générale de l'étalonnage. Sect. 8.10.2 décrit les procédures d'étalonnage obligatoires si le capteur de la CCI est remplacé dans le banc de scie.

8.10.1 Étalonnage général

1. Les arrêts d'inclinaison de lame doivent être réglés correctement. Voir la section 8.6
 2. Connecter la machine à la source d'alimentation. Le DRO sera éclairé.
 3. Si la lame de scie est relativement proche de 0°, réglez la lame à exactement 0° et appuyez sur le bouton « SET 0 » (définir 0). L'affichage affichera 0,00. Voir la Figure 8-13.
- De même, si la lame de scie est relativement proche de 45°, réglez la lame à 45° et appuyez sur le bouton « SET 45 » (définir 45). L'affichage affichera 45,0.
4. L'étalonnage est terminé.

REMARQUE : Si l'alimentation est coupée, l'affichage numérique revient à 0,00. Lorsque l'alimentation est rétablie, répétez la procédure ci-dessus.

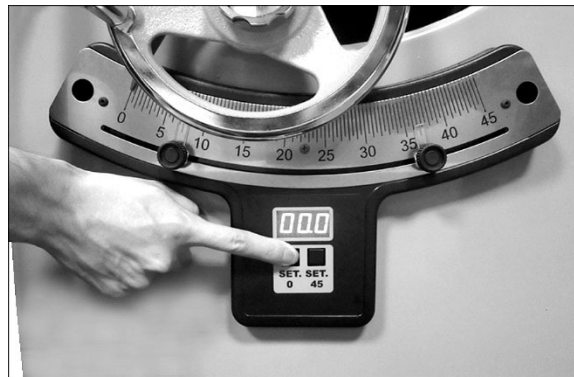


Figure 8-13

8.10.2 Étalonnage pour un remplacement de carte de circuits imprimés

1. Les arrêts d'inclinaison de lame doivent être réglés correctement. Voir la section 8.6
2. Connecter la machine à la source d'alimentation. Le DRO sera éclairé.
3. Inclinez la lame de scie à 0°.
4. Appuyez et maintenez les deux boutons CONFIGURER jusqu'à ce que l'affichage indique « --- » (Figure 8-14).
5. Relâchez les boutons et l'affichage indiquera « 00,0 ».

6. L'étalonnage à 0° est terminé. (Si « 00,0 » ne s'affiche pas, débranchez et rebranchez l'alimentation, et répétez la procédure ci-dessus)
7. Inclinez la lame à 45°.
8. Appuyez et maintenez les deux boutons CONFIGURER jusqu'à ce que l'affichage indique « --- » (Figure 8-14).
9. Relâchez les boutons et l'affichage indiquera « 45,0 ».
10. L'étalonnage à 45° est terminé. (Si « 45,0 » ne s'affiche pas, débranchez et rebranchez l'alimentation, et répétez la procédure ci-dessus)



Figure 8-14

9.0 Fonctionnement

Familiarisez-vous avec l'emplacement et le fonctionnement de toutes les commandes et de tous les réglages, ainsi qu'avec l'utilisation des accessoires comme la jauge à onglets et le guide longitudinal.

Remarque : Les figures suivantes sont généralistes et peuvent ne pas présenter votre modèle de scie particulier.

9.1 Prévention du rebond

Des blessures graves peuvent être causées par les rebonds qui surviennent quand une pièce à travailler se coince à la lame de scie ou entre la lame et le guide longitudinal, ou tout autre objet fixe. Ce coincement peut soulever la pièce à travailler et la projeter vers l'opérateur.

Vous trouverez ci-dessous la liste des conditions qui peuvent causer des rebonds :

- Confiner la pièce à couper lors d'une coupe transversale ou d'un sciage en long.
- Lâcher la pièce à travailler avant de terminer l'opération, ou ne pas pousser la pièce à fond le long de la lame de scie.
- Ne pas utiliser de couteau séparateur lors d'un sciage en long, ou ne pas maintenir l'alignement entre le couteau séparateur et la lame de scie.
- Utiliser une lame de scie émoussée.

- Ne pas maintenir l'alignement du guide longitudinal de sorte qu'il tend à s'incliner vers la lame de scie plutôt que de s'en écarter.
- Appliquer la force d'avance lors du sciage en long à la section à couper (libre) de la pièce à travailler plutôt qu'à la section entre la lame de scie et le guide.
- Scier en long du bois qui est tordu (qui n'est pas plat), ou qui n'a pas de bord droit, ou dont le fil est tordu.

Afin de minimiser ou prévenir les blessures causées par des rebonds :

- Évitez les conditions énumérées ci-dessus.
- Portez un écran facial, des lunettes de sécurité ou des lunettes de protection.
- N'utilisez pas de jauge à onglets et de guide longitudinal dans la même opération, à moins qu'il ne soit prévu d'utiliser une plaque de protection sur le guide pour libérer la section à couper de la pièce à travailler avant le début de la coupe (voir Figure 9-8).
- Au fur et à mesure que la machine est utilisée, il faudrait vérifier régulièrement le fonctionnement des linguets antirecul (Figure 9-1). Si les linguets n'arrêtent pas le mouvement de recul d'une pièce, aiguisiez à nouveau tous les points.

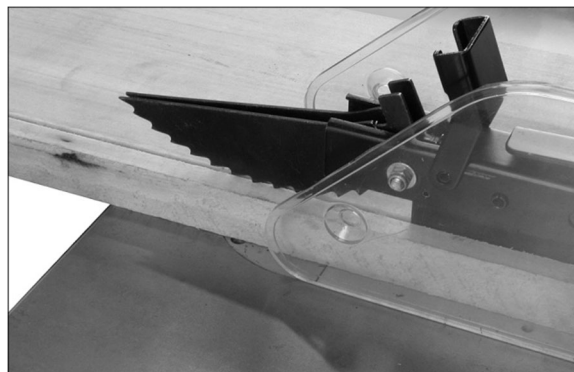


Figure 9-1

- Lorsque la situation le permet, gardez votre visage et votre corps hors du passage de la lame pour éviter de potentiels rebonds, y compris lorsque vous démarrez ou éteignez la machine.
- Les outils de coupe inadaptés, émoussés, mal installés ou mal limés, et les outils coupants avec de la gomme ou de la résine collée peuvent causer des accidents. N'utilisez jamais utiliser une lame de scie fissurée. Utilisez des outils tranchants, bien entretenus et appropriés à l'opération pour éviter les blessures.
- Soutenez et maintenez fermement la pièce à travailler contre la jauge ou le guide. Utilisez un poussoir ou un bloc-poussoir pour les pièces courtes, étroites (largeur de 6 po ou moins) ou fines. Utilisez un bloc-poussoir ou

une jauge à onglets quand vous faites une rainure ou une moulure.

- ❑ N'utilisez jamais le guide comme butée réglable lors d'une coupe transversale. Ne tenez pas ou ne touchez pas l'extrémité libre ou la section à couper d'une pièce à travailler. Lors des opérations de coupe traversante, la section à couper NE doit PAS être confinée.
- ❑ Gardez toujours vos mains hors de la ligne de la lame de scie et ne tendez jamais les mains derrière la lame de coupe pour maintenir la pièce à travailler.
- ❑ Les coupes en long en biseau doivent toujours être faites avec le guide du côté droit de la lame de scie de façon à ce que la lame s'incline en s'éloignant du guide et minimise la possibilité de coincement et l'effet de rebond qui en résulte.

9.2 Sciage en long

Le sciage en long consiste à introduire la pièce à travailler dans le sens du fil par rapport à la lame de scie en utilisant le guide ou tout autre dispositif de positionnement pour obtenir la largeur de coupe voulue (Figure 9-2).



Avant de commencer une coupe en long, vérifiez que le guide est serré et aligné correctement.

- ❑ Ne coupez jamais en long à main levée, sinon utilisez une jauge à onglets avec le guide.
- ❑ Ne coupez jamais en long des pièces plus petites que le diamètre de la lame de scie.
- ❑ Ne tendez jamais les mains derrière la lame pour maintenir ou retirer la pièce coupée lorsque la lame de scie tourne.



Figure 9-2

Utilisez toujours un protecteur de lame, un couteau séparateur et des linguets antirecul. Assurez-vous que le couteau séparateur est bien aligné. Lorsque le bois est coupé le long du grain, le trait de scie tend à se fermer et à se coincer sur la lame et des rebonds peuvent se produire.

Remarque : Un autocollant d'avertissement est apposé sur le protecteur pour rappeler à l'opérateur certaines consignes de sécurité de base.

Le guide longitudinal doit être réglé pour la largeur de coupe en utilisant l'échelle sur le rail avant, ou en mesurant la distance entre la lame (A) et le guide (B). Écartez-vous de la ligne avec la lame de scie et de la pièce à travailler pour éviter la sciure de bois et les éclats qui jaillissent de la lame, ou un possible rebond.

Si la pièce à travailler n'a pas de bord droit, clouez une planche secondaire à bord droit dessus pour la placer contre le guide. Pour obtenir une coupe correcte, la planche doit avoir un bon contact avec le banc. N'essayez pas de couper des panneaux gauchis.

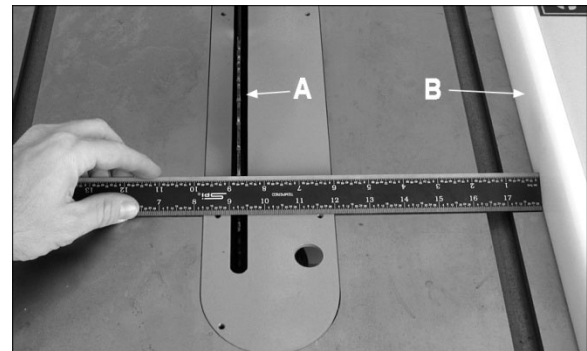


Figure 9-3

Lors du sciage en long, utilisez une main pour maintenir la planche contre le guide ou l'accessoire, et l'autre pour la pousser vers la lame entre la lame et le guide. Si la pièce à travailler fait moins de 6 po de large ou moins de 12 po de longueur, utilisez un poussoir ou un bloc-poussoir pour la pousser entre le guide et la lame (Figure 9-4). Ne la poussez jamais en positionnant votre main de façon à ce qu'elle soit alignée avec la lame. Déplacez votre main qui sert à maintenir la pièce en gardant une distance de sécurité par rapport à la lame lorsque la coupe est presque terminée.

Pour les coupes en long très étroites où il n'est pas possible d'utiliser un poussoir, utilisez un bloc-poussoir ou un guide secondaire. Poussez toujours la pièce complètement au-delà de la lame à la fin d'une coupe pour minimiser les risques de rebond.

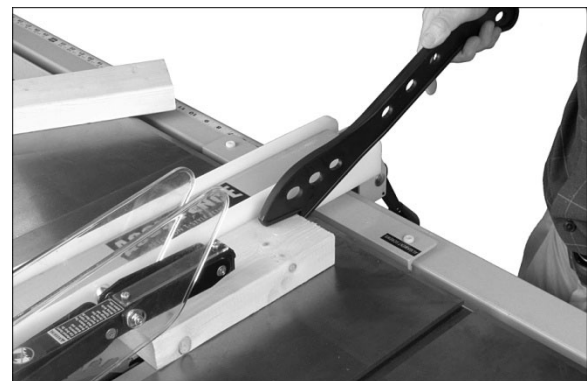


Figure 9-4

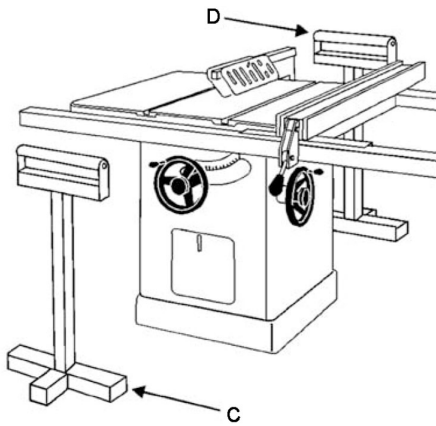


Figure 9-5

Lors du sciage en long de longues planches, utilisez un support à l'avant du banc (C, figure 9-5) comme un support à roulettes, et un support à l'arrière (D) ou « de queue ».

N'utilisez jamais le guide longitudinal au-delà du point où le chariot est au ras de l'extrémité des rails.

La lame doit dépasser d'environ 1/8 po sur le dessus de la pièce à travailler. Exposer la lame au-dessus de ce point peut être dangereux.

9.3 Refente

La refente est une opération de sciage en long qui consiste à découper des planches épaisses en planches plus minces. Remarque : Une scie à ruban est l'outil idéal pour la refente.

AVERTISSEMENT Si le banc de scie est utilisé pour de la refente, prenez des précautions comme l'utilisation d'un guide secondaire, d'une protection de refente ou d'autres dispositifs similaires pour stabiliser la pièce à travailler et garantir la sécurité de l'opérateur.

Les planches étroites, jusqu'à 3 po, peuvent être refendues en un seul passage. Les planches larges, jusqu'à 6 pieds doivent être resciées en deux passages.

Pour la refente de planches plus larges, réglez la hauteur de la lame de façon à ce que les deux coupes se chevauchent de 1/2 po comme cela est illustré dans la figure 9-6. Une première coupe trop profonde peut entraîner un coincement et de possibles effets de rebond sur la deuxième coupe. Utilisez toujours le même côté de la planche contre le guide pour effectuer les deux coupes.

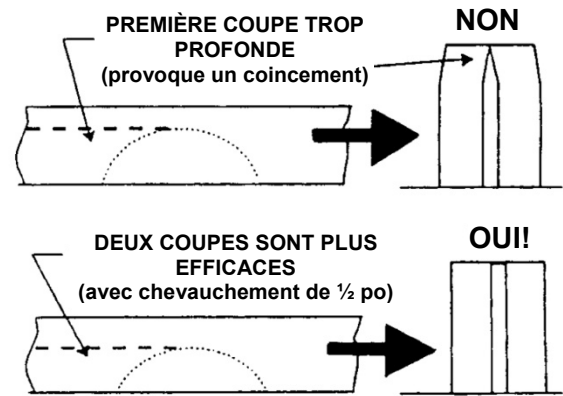


Figure 9-6

9.4 Coupe transversale

Une coupe transversale est une opération qui consiste à introduire la pièce à travailler en contre-fil par rapport à la lame de scie en utilisant une jauge à onglets pour maintenir et positionner la pièce à travailler (Figure 9-7).



Figure 9-7

Une coupe transversale ne devrait **jamais** être effectuée à main levée, et le guide ne doit jamais être utilisé comme butée à moins qu'un bloc auxiliaire (E, Figure 9-8) ne soit installé à l'avant de la lame de façon à ce que la pièce coupée se détache du bloc avant le début de la coupe.

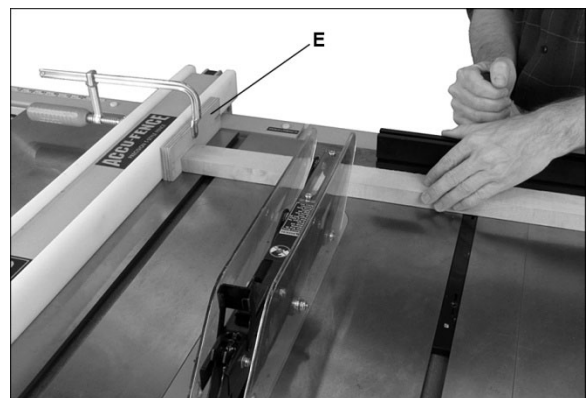


Figure 9-8

Les butées réglables ne doivent pas être utilisées sur l'extrémité libre de la pièce à travailler dans la zone de coupe.

Ne faites pas de coupe transversale pour les pièces à travailler qui font moins de 6 po. Avant de commencer une coupe, assurez-vous que la jauge à onglets est bien installée selon l'angle voulu. Tenez fermement la pièce à travailler contre le banc et contre la jauge à onglets. Utilisez **toujours** le protecteur de la lame et le couteau séparateur, et assurez-vous que ce dernier est correctement aligné.

Pour une coupe transversale à 90 degrés, la plupart des opérateurs préfèrent utiliser la fente gauche de la jauge à onglets. Dans cette position, maintenez la pièce contre la jauge avec la main gauche et utilisez la main droite pour faire avancer la pièce à travailler. Avec la fente droite pour les onglets et une coupe transversale de voilement complexe qui fait que la lame s'incline *en s'écartant* de la jauge, les positions de la main sont inversées.

Quand une jauge à onglets est utilisée, la pièce à travailler doit être fermement maintenue et avancée en douceur et lentement. Si la pièce à travailler peut vibrer si elle n'est pas fermement maintenue, ce qui peut la coincer dans la lame et émousser les dents de la scie.

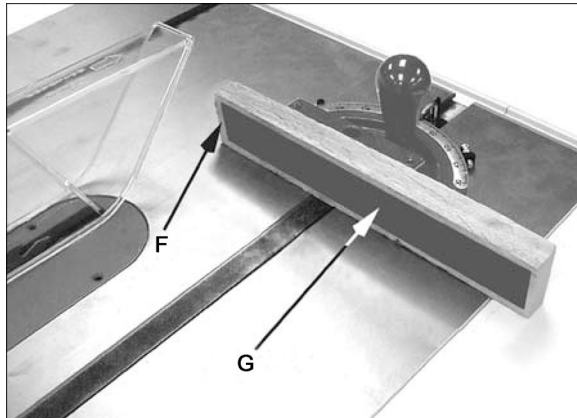


Figure 9-9

Pour augmenter l'efficacité de la jauge à onglets pour les coupes transversales, certains utilisateurs installent une rallonge en bois (F, Figure 9-9) avec une bande de papier de verre (G) collée pour aider à tenir la pièce à travailler.

Mettez un support secondaire pour toute pièce à travailler qui est plus longue que le plateau du banc et qui a tendance à s'affaisser et à remonter par rapport au banc.

La lame doit dépasser d'environ 1/8 po sur le dessus de la pièce à travailler. Exposer la lame au-dessus de ce point peut être dangereux.

9.5 Opérations de coupe en biseau et d'assemblage en onglet

Coupe en biseau – Une coupe en biseau est un type spécial d'opération où la lame de scie est inclinée selon un angle inférieur à 90 degrés par rapport au-dessus du banc (Figure 9-10). Les opérations sont exécutées de la même manière qu'un sciage en long ou qu'une coupe transversale, sauf que le guide et la jauge à onglets devraient être utilisés sur le côté droit de la lame pour assurer une sécurité supplémentaire en évitant les coincements entre la lame et le dessus du banc. Lors d'une coupe en biseau avec la jauge à onglets, la pièce à travailler doit être maintenue fermement pour éviter les glissements.



ATTENTION N'utilisez jamais un insert à jeu nul quand la lame de scie est en position inclinée.



Figure 9-10

Assemblage en onglet – Les coupes transversales faites selon un angle par rapport au bord de la pièce à travailler sont appelées des assemblages en onglet (Figure 9-11). Réglez la jauge à onglets selon l'angle voulu et faites la même coupe qu'une coupe transversale normale, sauf que la pièce à travailler doit être maintenue très fermement pour éviter les glissements.



Figure 9-11

Remarque : Lors de la fabrication d'assemblages en onglet de voilement complexe (avec lame

inclinée), utilisez la jauge à onglets dans la fente **droite** pour avoir plus de dégagement et de sécurité.

La lame ne doit dépasser que d'1/8 po sur le dessus de la pièce à travailler. Exposer la lame au-dessus de ce point peut être dangereux.

9.6 Coupe de rainure

Une coupe de rainure consiste à découper une large rainure dans une pièce à travailler ou une râblure le long du bord d'une pièce à travailler. Pour ce type d'opération, il est nécessaire d'utiliser un insert à rainurer (accessoire en option, illustré à la figure 9-12).

ATTENTION N'utilisez pas l'insert de banc standard pour les opérations de rainurage.



Figure 9-12

Le processus de coupe de rainures entre 1/8 et 13/16 po dans les pièces à travailler s'effectue en utilisant un ensemble de lames doubles à rainurer ou une lame réglable montée sur l'arbre de la scie circulaire. Il est possible d'effectuer une rainure d'une largeur précise en utilisant différentes combinaisons de lames doubles à rainurer ou en réglant correctement le disque sur une lame réglable. C'est très utile pour le rayonnage, faire des joints, des enfourchements, etc.

La protection, le couteau séparateur et les linguets antirecul fournis avec la scie devraient être utilisés pour toutes les opérations de coupe applicables.

Lorsque vous effectuez des opérations où le protecteur ne peut pas être utilisé, comme dans certaines opérations de rainurage, des précautions de sécurité alternatives devraient être prises. Ce sont notamment des poussoirs, des guides de pression, des blocages, des dispositifs de serrage, des gabarits et tout autre dispositif approprié qui peuvent être utilisés pour garder les mains des opérateurs hors de portée de la lame.

À la fin d'une opération nécessitant le démontage de la protection, l'assemblage de la protection doit être replacé sur la machine de manière à être opérationnel.

ATTENTION N'utilisez jamais de scie circulaire double à rainurer en position inclinée. N'utilisez jamais la scie sans le protecteur de lame, le couteau séparateur et les linguets antirecul pour les opérations où ils peuvent être utilisés.

10.0 Dispositifs de sécurité

10.1 Guide de coupe

Les guides de pression, aussi appelés « peignes », peuvent être achetés dans la plupart des magasins d'outils, ou fabriqués par l'opérateur pour s'adapter à des applications particulières. Le guide de pression (Figure 9-13) devrait être fait en bois dur à fil droit d'environ 1 po d'épaisseur et entre 4 et 8 po de largeur selon la taille de la machine. La longueur est déterminée en fonction de l'utilisation prévue.

Les guides de pression peuvent être fixés au banc ou au guide longitudinal avec des serre-joints en C. Alternativement, des trous percés et taraudés dans le plateau du banc permettent d'utiliser des écrous à oreilles et des rondelles comme méthode de serrage. Si cette méthode de fixation est utilisée, mettez des fentes dans le guide de pression pour effectuer le réglage. (L'illustration présente une méthode de fixation et d'utilisation du guide de pression comme un peigne vertical. L'application horizontale est quasiment la même, sauf que la fixation se fait sur le plateau du banc.)

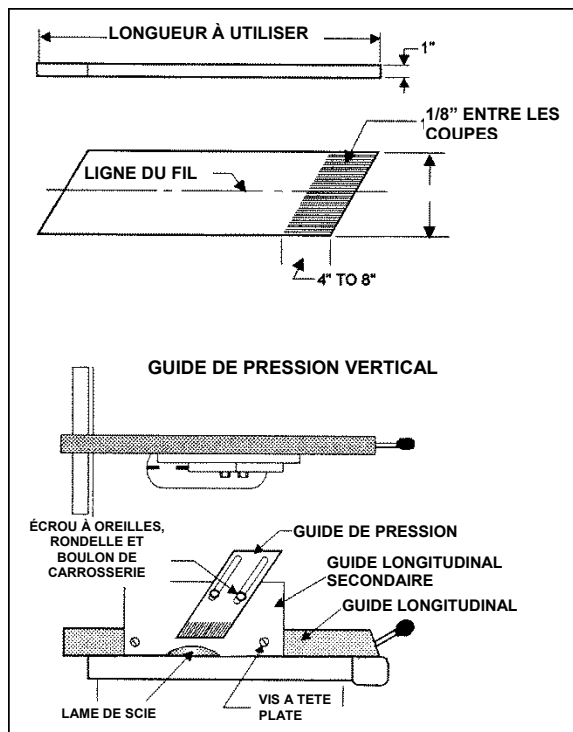


Figure 9-13 : Guide de pression

10.2 Poussoir et bloc-poussoir

L'utilisation d'un bloc poussoir ou d'un poussoir permet un niveau de sécurité supplémentaire pour l'opérateur. Un poussoir est inclus avec votre banc de scie, mais vous pouvez en personnaliser d'autres selon différentes procédures de coupe. Les modèles dans les figures 9-15 et 9-15 présentent des détails de construction.

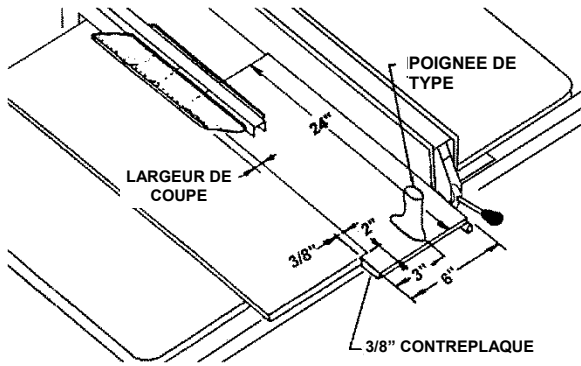
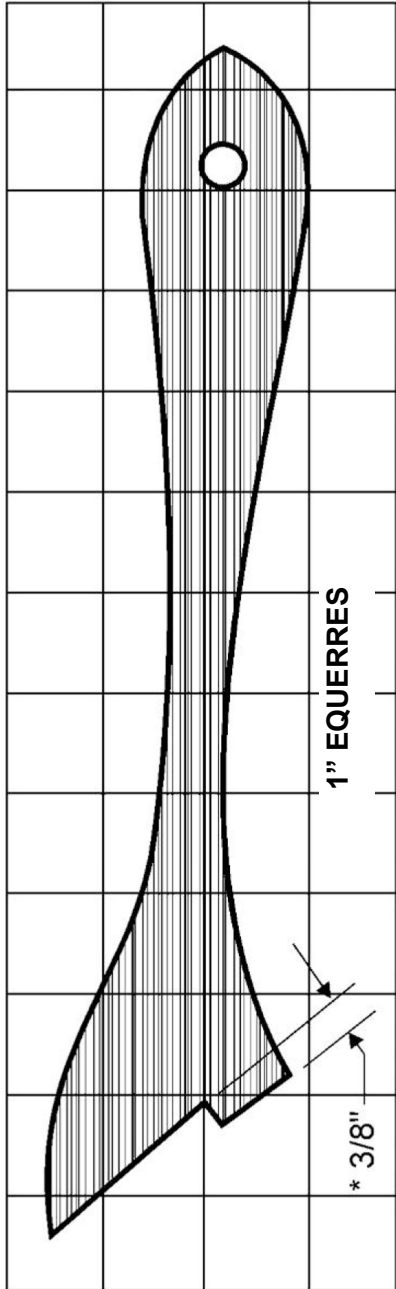


Figure 9-14 : Modèle de bloc-poussoir



* Cette mesure peut varier en fonction de l'épaisseur de la pièce.

Figure 9-15 : Modèle de poussoir

11.0 Entretien par l'utilisateur



Débranchez toujours la machine avant de procéder à l'entretien. Le non-respect des directives peut entraîner des blessures graves.

11.1 Inspection générale

Faites toujours attention à l'état de votre machine. Vérifiez régulièrement l'état des éléments suivants et réparez ou remplacez-les si nécessaire :

- Les boulons de fixation
- L'interrupteur d'alimentation
- La lame de scie
- L'assemblage du protecteur de lame

11.2 Nettoyage

Remarque : Le programme d'entretien suivant suppose que la scie est utilisée quotidiennement.

UNE FOIS PAR JOUR :

- Essuyer la surface de la table et les créneaux en T.
- Nettoyez le pas et la résine de la lame de scie.

UNE FOIS PAR SEMAINE :

- La surface de la table doit être maintenue propre et sans rouille pour obtenir les meilleurs résultats. Pour faciliter cela, appliquez une couche de cire en pâte sur la surface. Vous pouvez sinon vous procurer des produits de protection commerciaux auprès de quincailleries et de magasins d'outillage locaux. Un bon produit de protection devrait protéger la surface contre la rouille sans tacher les pièces à travailler.
- Nettoyez le carter du ventilateur du moteur à l'air comprimé.
- Essayez les rails du guide longitudinal avec du lubrifiant sec.

À L'OCCASION :

- Gardez propres l'intérieur de l'armoire et la zone du tourillon. Aspirez la poussière et les copeaux.
- Vérifiez s'il y a un jeu excessif dans le mécanisme d'inclinaison et de levage, et dans l'arbre de la scie circulaire, et corrigez-le le cas échéant.
- Vérifiez la tension et l'usure de la courroie, et si elle est fissurée, effilochée, etc.

11.3 Lubrification

- Graissez les vis sans fin d'inclinaison, de levage, et les zones du tourillon avec une graisse non durcissante de bonne qualité.
- Vérifiez tous les réglages après la lubrification, comme l'action du volant, les butées de la lame, le réglage du DRO, etc.

11.4 Démontage de l'arbre et des roulements de l'arbre

L'arbre de la scie circulaire est *emmanché à force* dans le logement du bras de levage la scie. Si l'arbre doit être démonté pour remplacer les roulements, ce doit être effectué par un technicien d'entretien qualifié. Contacter le service à la clientèle de Powermatic.

11.5 Entretien supplémentaire

Tout entretien supplémentaire doit être effectué par le personnel du service autorisé.

12.0 Accessoires en option

Ces accessoires (achetés séparément) peuvent améliorer les fonctionnalités de votre banc de scie PM2000B. Contactez votre revendeur pour commander, ou appelez Powermatic au numéro de téléphone indiqué sur la couverture. D'autres accessoires peuvent être disponibles; consultez notre site Web.



1791788B – Insert à rainurer



1791786B – Insert à jeu nul



1791791C – Couteau séparateur à trait de scie fin et profil haut de 0,079 po (2,0 mm) d'épaisseur



1791792B – Couteau séparateur à trait de scie fin et profil bas de 0,079 po (2,0 mm) d'épaisseur

13.0 Dépannage de la scie d'ébéniste PM2000B

13.1 Problèmes moteurs et électriques

Symptôme	Cause possible	Solution
La scie ne veut pas démarrer.	Aucun courant entrant.	Vérifiez les branchements des prises.
	La clé de sécurité est retirée de l'interrupteur.	Installez la clé de sûreté.
	Basse tension.	Vérifiez la ligne électrique pour avoir une tension adéquate.
	Circuit ouvert dans le moteur ou connexions lâches.	Inspectez toutes les connexions sur le moteur afin de s'assurer que les bornes ne sont ni lâches, ni ouvertes.
	Câble d'alimentation endommagé.	Remplacez le câble.
La scie ne veut pas démarrer : un fusible saute ou un disjoncteur se déclenche.	Court-circuit dans la ligne électrique ou dans la prise.	Inspectez le câble ou la prise afin de s'assurer que l'isolation n'est pas endommagée et que les fils ne sont pas court-circuités.
	Court-circuit dans le moteur ou connexions lâches.	Inspectez toutes les connexions sur le moteur afin de s'assurer que les bornes ne sont ni lâches, ni court-circuitées ou que l'isolation n'est pas usée.
	Fusibles ou disjoncteurs incorrects dans la ligne électrique.	Installez les fusibles ou les disjoncteurs adéquats.
Le moteur démarre lentement ou n'atteint pas sa vitesse maximale.	Basse tension.	Demandez à la compagnie d'électricité de vérifier la tension et de corriger la condition de basse tension.
	Ligne électrique surchargée.	Corriger la condition de surcharge. Utilisez un circuit dédié pour le banc de scie.
	Câbles sous-dimensionnés dans le système d'alimentation.	Augmenter le calibre du fil d'alimentation.
	Contacteur centrifuge non enclenché.	Remplacez le contacteur centrifuge (personnel qualifié uniquement).
	Le moteur ne fonctionne pas bien.	Faites vérifier le moteur par un inspecteur qualifié. Réparer ou remplacer.
Surchauffe du moteur.	Moteur surchargé.	Réduisez la charge du le moteur.
	Refroidissement incorrect du moteur; circulation d'air insuffisante.	Nettoyez la sciure de bois dans le ventilateur et des conduits du moteur.
Le moteur s'arrête, causant des fusibles grillés et des disjoncteurs déclenchés.	Moteur surchargé.	Réduisez la charge du le moteur.
	Court-circuit dans le moteur ou connexions lâches.	Inspectez les connexions sur le moteur afin de s'assurer que les bornes ne sont ni lâches, ni court-circuitées ou que l'isolation n'est pas usée.
	Basse tension.	Conditions adéquates de basse tension.
	Fusibles ou disjoncteurs incorrects dans la ligne électrique.	Installez les fusibles ou les disjoncteurs adéquats.

Tableau 4

13.2 Problèmes mécaniques et opérationnels

Le moteur cale, ou la pièce à travailler se coince ou brûle.	Alimentation trop importante.	Réduisez l'alimentation.
	Lame émoussée ou incorrecte.	Remplacez la lame; utilisez le type de lame approprié pour la coupe requise.
	La fente de l'onglet est mal alignée.	Réaligner le banc avec la lame.
	Le guide est mal aligné.	Réalignez le guide (voir le manuel Accu-Fence).
La machine ralentit ou cale en fonctionnement.	Le moteur ne fonctionne pas bien.	Faites vérifier le moteur par un inspecteur qualifié. Réparer ou remplacer.
	Trop de pression est appliquée sur la pièce à travailler.	Faites avancer plus doucement la pièce à travailler.
Un son bruyant et répétitif provient de la machine.	La courroie d'entraînement en poly-v est lâche.	Tendez la courroie.
	Des vis de calage des poulies ou des clavettes sont manquantes ou desserrées.	Inspectez les clavettes et les vis de calage. Remplacez-les ou resserrez-les le cas échéant.
Vibrations trop importantes.	Le ventilateur du moteur cogne sur le couvercle.	Serrez le ventilateur ou calez le couvercle.
	La courroie trapézoïdale est défectueuse.	Remplacez la courroie trapézoïdale.
	Les boutons de verrouillage d'inclinaison ou de levage ne sont pas serrés.	Serrez les boutons de verrouillage sur les volants
Vibrations trop importantes.	Le système des roulettes est toujours enclenché.	Bloquez les roulettes avant d'utiliser la scie.
	La machine n'est pas installée à plat sur le sol.	Assurez-vous que le sol est à niveau; utilisez des cales sous l'armoire au besoin.
	La lame est déséquilibrée.	Remplacez la lame.
	La poulie est desserrée.	Vérifiez la poulie du moteur et la poulie de la broche. Resserrez les vis de calage le cas échéant.
	La courroie est usée, fissurée ou effilochée.	Remplacer la courroie.
	Le moteur ne fonctionne pas bien.	Faites vérifier le moteur par un inspecteur qualifié. Réparer ou remplacer.
	La lame n'est pas d'équerre avec la fente d'onglet, ou le guide n'est pas d'équerre avec la lame.	La lame est gauchie.
Le plateau du banc n'est pas parallèle à la lame.		Ajustez le banc pour qu'il soit parallèle à la lame.
Le guide n'est pas parallèle à la lame.		Ajustez le guide pour qu'il soit parallèle à la lame.
La lame n'atteint pas un angle de 90 degrés.	La butée à 90 degrés est mal réglée.	Ajustez la butée à 90 degrés.
Les coupes ne sont pas à l'équerre lors des coupes transversales.	La jauge à onglets est mal réglée.	Réinitialisez les butées et le pointeur sur la jauge.
	La fente de l'onglet est mal alignée.	Réaligner le banc avec la lame.
Les coupes ne sont pas correctes à 90 ou 45 degrés.	Les vis de butée ne sont pas serrées correctement.	Réajustez les vis de calage.

Les volants d'inclinaison et de levage sont difficiles à tourner.	Le bouton de verrouillage n'est pas desserré.	Desserrez le bouton de verrouillage.
	La vis sans fin et le segment du tourillon sont collés avec de la sciure de bois et du brai.	Nettoyez et graissez à nouveau la vis sans fin et le segment.
	Le segment des vers et du tourillon n'est pas aligné.	Réalignez la vis sans fin avec le segment (par du personnel qualifié).

Tableau 5

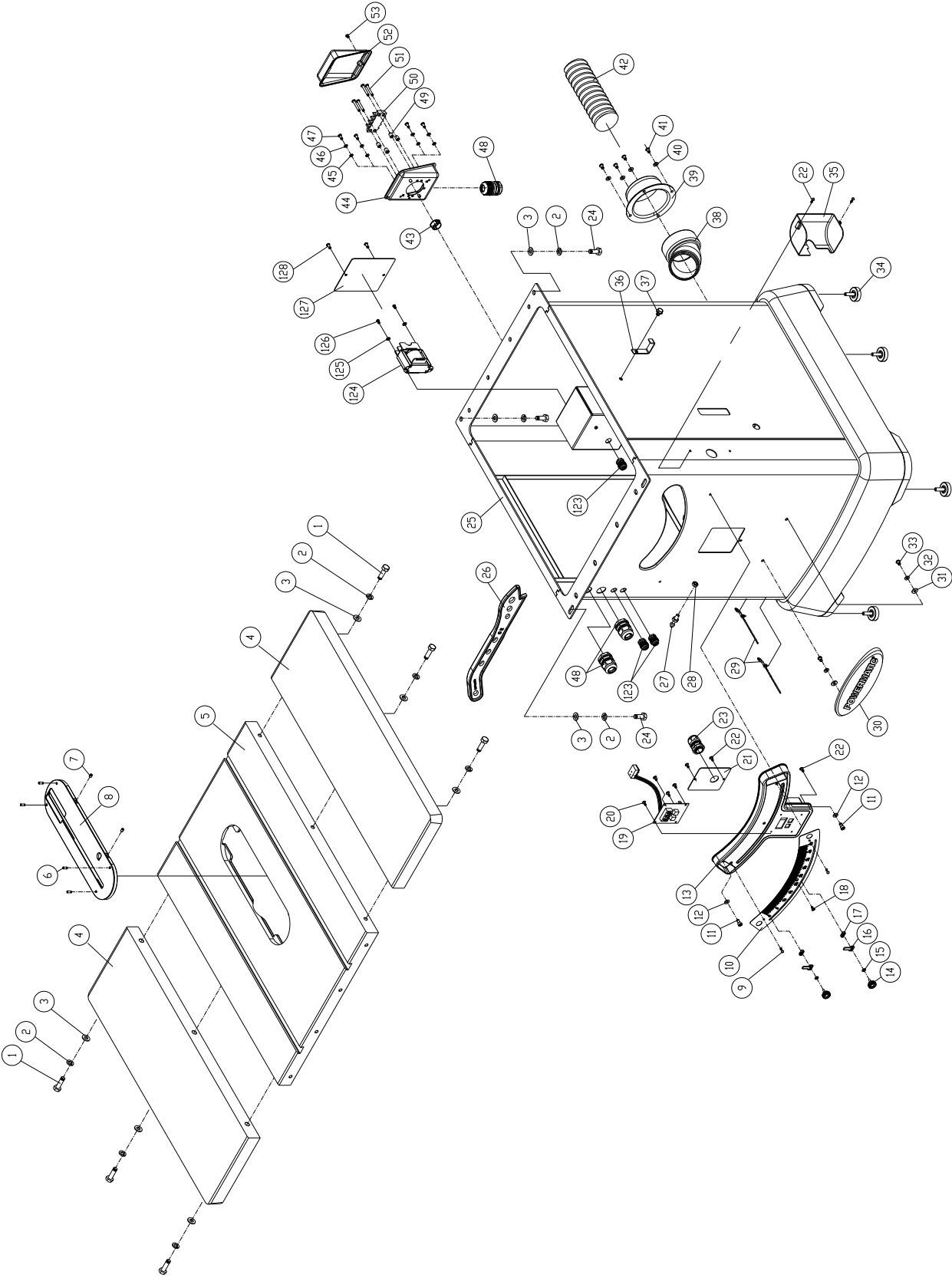
14.0 Pièces de rechange

Les pièces de rechange sont répertoriées dans les pages suivantes. Pour commander des pièces ou rejoindre notre service après-vente, composez le 1-800-274-6848 du lundi au vendredi (voir notre site Web pour nos heures d'ouverture, www.powermatic.com). Avoir le numéro de modèle et le numéro de série de votre machine en main lorsque vous appelez nous permettra de vous servir rapidement et adéquatement.

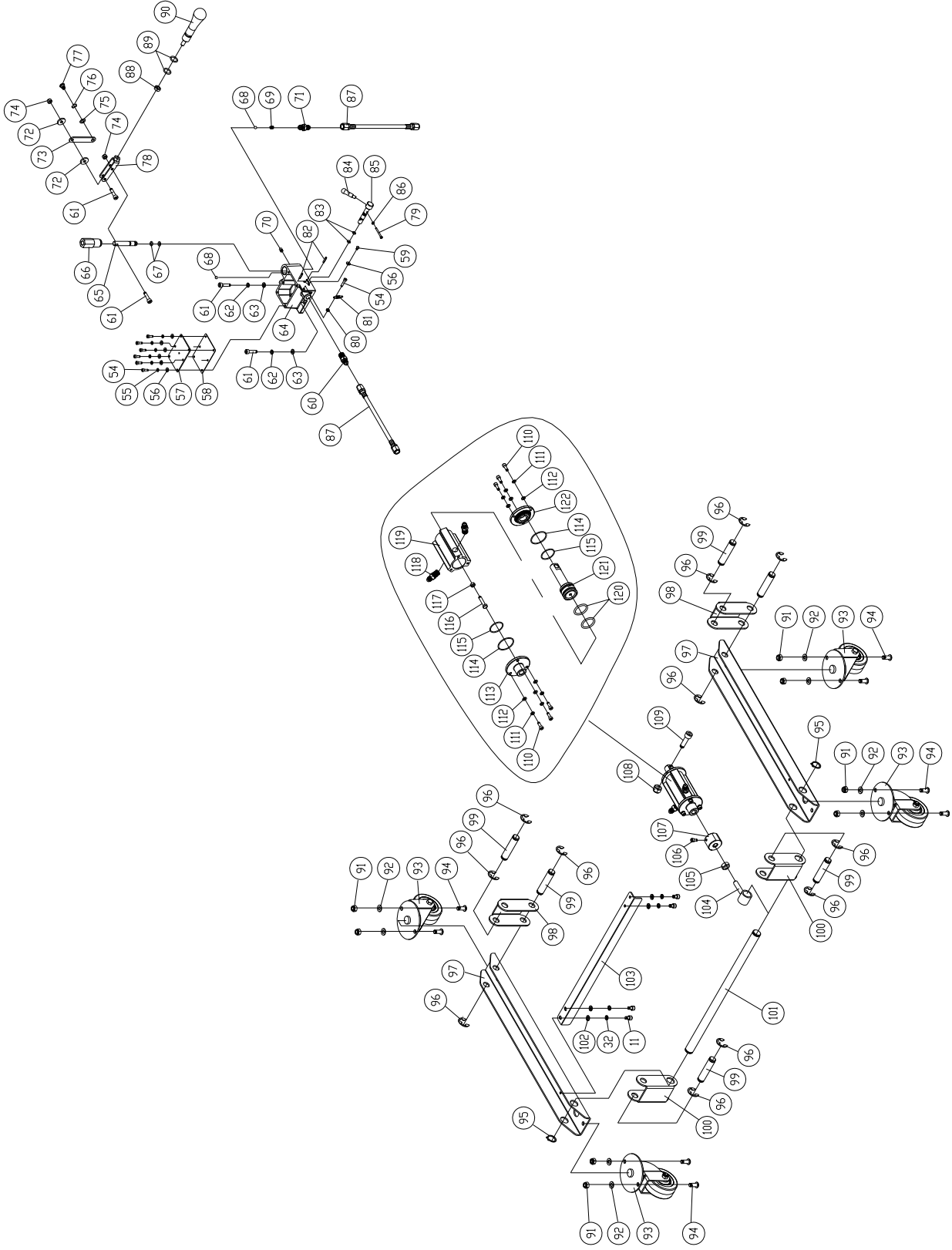
Les pièces non brevetées, comme les attaches, peuvent être trouvées dans les quincailleries locales ou peuvent être commandées auprès de Powermatic.

Certaines pièces sont illustrées uniquement à titre indicatif et peuvent ne pas être disponibles individuellement.

14.1.1 PM2000B Ensemble du banc et de l'armoire I – Vue éclatée



14.1.2 PM2000B Ensemble du banc et de l'armoire II – Vue éclatée



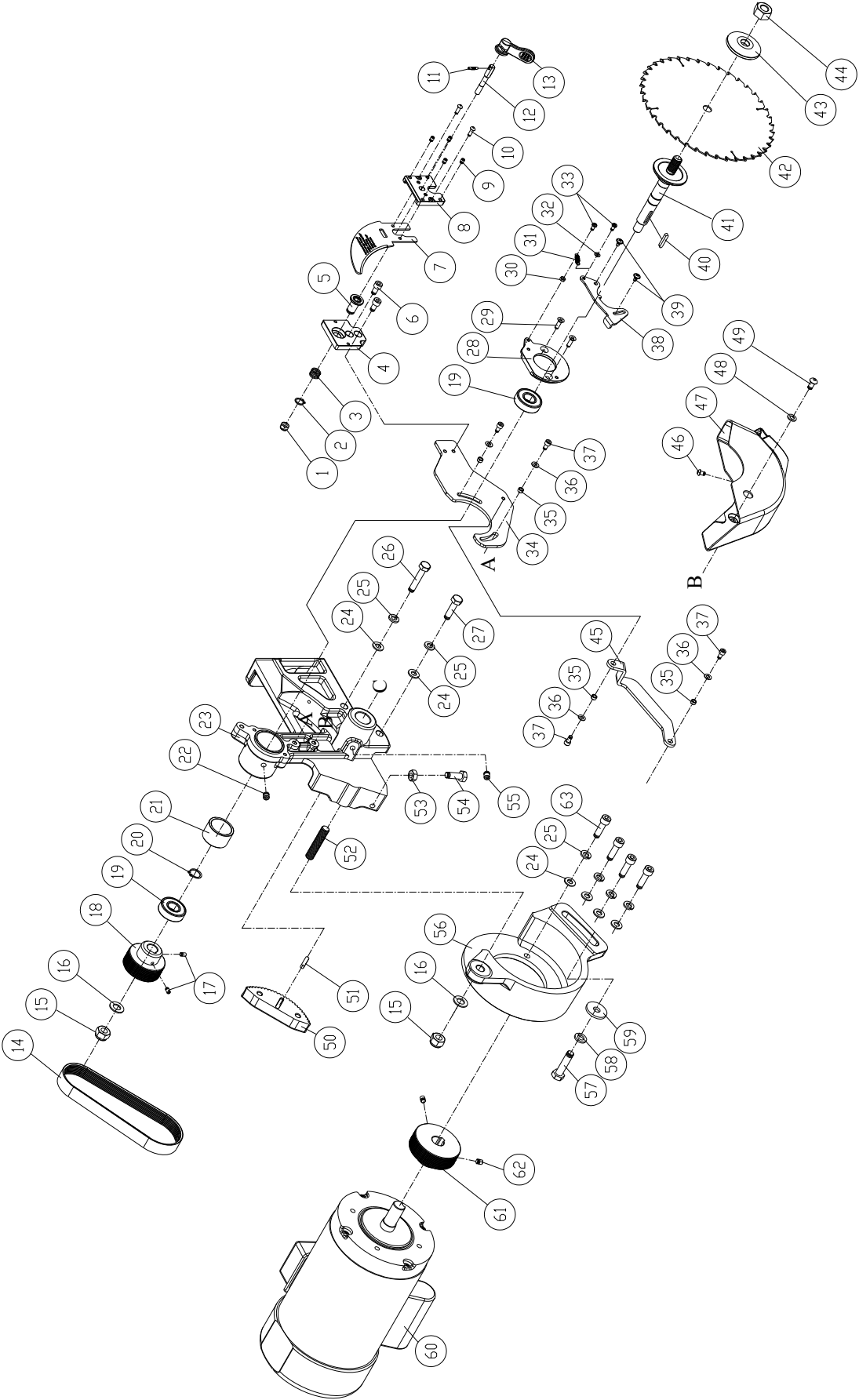
14.1.3 PM2000B Ensemble du banc et de l'armoire – Liste de pièces

No d'Index	No des pièce	Description	Dimension	Qté
1	TS-149105	Vis à tête hexagonale	M10-1,5 x 35 L	6
2	TS-2361101	Rondelle de blocage	M10	10
3	TS-1550071	Rondelle plate	10 x 20 x 2,0 T	10
4	PM2000B-104	Table à allonges		2
5	PM2000B-105	Table		1
6	F010395L	Vis de pression à tête creuse CPP avec enduit frein pour filets	M5-0,8 x 12 L	4
7	PM2000B-107	Piston		2
8	PM2000B-108	Insert de table		1
	PM2000B-108TIA	Ensemble de insert de table (inclut num 6,7,8)		1
9	PM2000B-109	Vis taraudeuse cruciforme à tête creuse	M4-1.41P x 12L	2
10	PM2000B-110	Échelle d'angle d'inclinaison		1
11	TS-1503031	Vis à chapeau à tête creuse	M6-1,0 x 12 L	6
12	TS-1550041	Rondelle plate	6,2 x 13 x 1,5 T mm	2
13	PM2000B-113	Base d'échelle avec étiquette		1
14	PM2000B-114	Bouton de référence d'angle		2
15	TS-1550031	Rondelle plate	5.2 x 10 x 1.0 T mm	2
16	PM2000B-116	Référence d'angle spécifique		2
17	PM2000B-117	Écrou spécial		2
18	PM2000B-118	Vis taraudeuse cruciforme à tête plate	M4-1,41 P x 10 L	1
19	PM2000B-119	Ensemble de capteurs		1
20	PM2000B-120	Vis taraudeuse cruciforme à tête cylindrique	M3 x 1,06 P x 10 L	4
21	PM2000B-121	Couvercle de la boîte du DRO		1
22	PM2000B-122	Vis taraudeuse cruciforme à tête ronde	M4 x 1,41 P x 10 L	5
23	PM2000B-123	Serre-câble	PGA16-14 B	1
24	TS-1491031	Vis à tête hexagonale	M10-1,5 x 25 L	4
25	PM2000B-125	Armoire (pour 3HP 1PH et 5HP 1PH)		1
	PM2000B-125A	Armoire (pour 5HP 3PH)		1
26	PM2000B-126	Poussoir		1
27	PM2000B-127	Bouchon		1
28	TS-2311081	Écrou hexagonal	M8-1,25	1
29	PM2000B-129	Collier de serrage		2
30	PM2000B-130	Logo do Powermatic		1
31	TS-1550041	Rondelle plate	6,7 x 16 x 2,0 T mm	2
32	TS-0720071	Rondelle de blocage	1/4 po	6
33	PM2000B-133	Vis mécanique cruciforme à tête ronde	1/4 po-20 UNC x 3/8 po L2	
34	PM2000B-134	Pied de réglage		4
35	PM2000B-135	Couvercle de l'ensemble de capteurs		1
36	PM2000B-136	Support		1
37	PM2000B-137	Vis à tête hexagonale avec rondelle plate	M8-1,25 x 12 L	1
38	PM2000B-138	Adaptateur pour capteur de poussière		1
39	PM2000B-139	Orifice d'échappement de la poussière		1
40	TS-1550041	Rondelle plate	6,2 x 13 x 1,5 T mm	4
41	TS-2246122	Vis bouton à pans creux	M6-1,0 x 12 L	4
42	PM2000B-142	Tuyau du capteur de poussière		1
43	PM2000B-143	Rondelle isolante		1
44	PM2000B-144	Boîtier du terminal		1
45	F002097	Rondelle de blocage, denture extérieure	M5	4
46	TS-1550031	Rondelle plate	5,3 x 10 x 2,0 T mm	4
47	TS-1533042	Vis mécanique cruciforme à tête cylindrique	M5-0,8 x 12 L	4
48	PM2000B-148	Serre-câble (uniquement pour 3HP, 1PH)	MG25AS-14B	1
	PM2000B-148A	Serre-câble (uniquement pour 5HP, 1PH et 5HP, 3PH)	MG25A-18B	1
49	PM2000B-149	Entretoise		4
50	PM2000B-150	Plaque à bornes		1
51	F001221	Vis mécanique cruciforme à tête cylindrique	M5-0,8 x 35 L	4
52	PM2000B-152	Couvercle de boîtier de connexions		1
53	F000648	Vis mécanique cruciforme à tête cylindrique	#10-24 UNC x 1/4 L	1
54	TS-1501041	Vis à chapeau à tête creuse	M4-0,7 x 12 L	7
55	TS-2361041	Rondelle de blocage	M4	6
56	TS-1550021	Rondelle plate	4,3 x 10 x 1,0 T mm	7

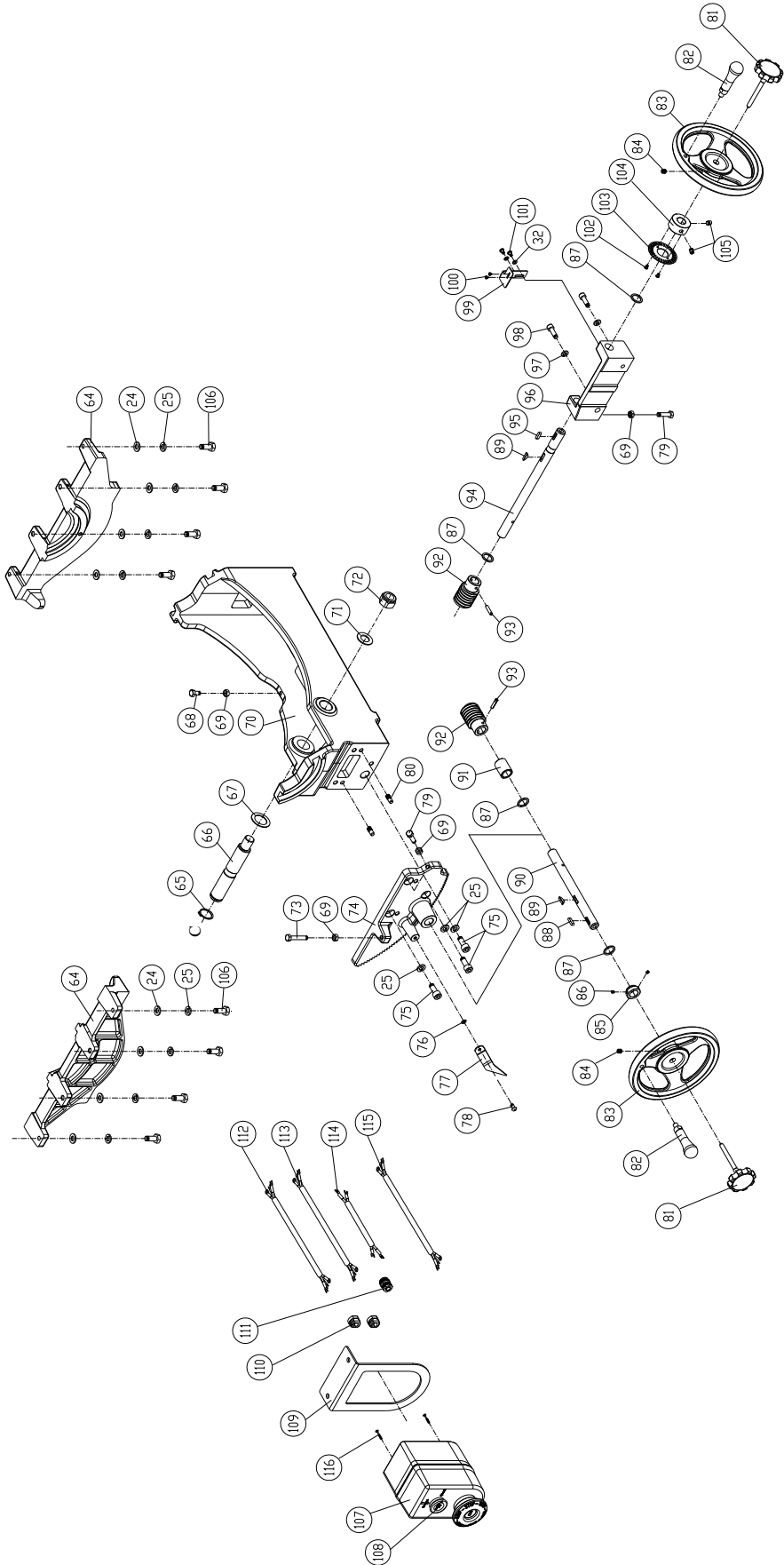
No d'Index	No des pièce	Description	Dimension	Qté
57	PM2000B-157	Couvercle de réservoir d'huile		1
58	PM2000B-158	Joint		1
59	F009923	Vis bouton à tête creuse	M4-0,7 x 6 L	1
60	PM2000B-160	Raccord de tuyau d'huile	PT1/4 po x PH1/4 po	1
61	TS-1503061	Vis à chapeau à tête creuse	M6-1,0 x 25L	4
62	TS-1551041	Rondelle de blocage	M6	2
63	TS-1550041	Rondelle plate	6,4 x 11,5 x 1,6 T mm	2
64	PM2000B-164	Réservoir d'huile		1
65	PM2000B-165	Arbre de pompe		1
66	PM2000B-166	Manchon de pompe		1
67	JMS10SCMS-43	Joint torique	P7	2
68	SB-6MM	Bille en acier	6 Dia.	2
69	PM2000B-169	Ressort de pression		1
70	TS-2276081	Vis de pression à tête creuse	M6-1,0 x 8 L	1
71	PM2000B-171	Raccord de tuyau d'huile	TH1/4 po x TH1/4 po	1
72	TS-1550041	Rondelle plate	6,2 x 20 x 3,0 T mm	2
73	PM2000B-173	Attelage		1
74	TS-1541021	Écrou hexagonal à frein élastique	M6-1,0	2
75	TS-1541031	Rondelle plate	8,5 x 16 x 1,0 T mm	1
76	JMS10SCMS-37	Rondelle élastique ondulée	VW-8	1
77	PM2000B-177	Vis à épaulement		1
78	PM2000B-178	Attelage		1
79	F005344	Vis à chapeau à tête creuse	M3-0,5 x 20 L	1
80	TS-1540021	Écrou hexagonal	M4-0,7	1
81	PM2000B-181	Ressort de tension		1
82	F012097	Goupille cylindrique	3 x 16 mm	2
83	CK350-722	Joint torique	P5	2
84	PM2000B-184	Bouton		1
85	PM2000B-185	Arbre de vidange d'huile		1
86	TS-1540011	Écrou hexagonal	M3-0,5	1
87	PM2000B-187	Ensemble de tuyau d'huile		2
88	TS-1540061	Écrou hexagonal	M8-1,25	1
89	5784696	Joint torique	P15	2
90	PM2000B-190	Poignée de pompe		1
91	TS-1541031	Écrou hexagonal à frein élastique	M8-1,25	8
92	TS-1550061	Rondelle plate	8 x 16 x 1,6 T mm	8
93	PM2000B-193	Roulette		4
94	TS-2248202	Vis bouton à tête creuse	M8-1,25 x 20 L	8
95	F006047	Anneau de retenue de type C, Ext	STW-20	2
96	F006088	Anneau de retenue de type E, Ext	ETW-15	12
97	PM2000B-197	Attelage		2
98	PM2000B-198	Support de roulette d'entraînement		2
99	PM2000B-199	Pivot		6
100	PM2000B-1100	Support de roulette entraînée		2
101	PM2000B-1101	Tige de connexion		1
102	TS-1550041	Rondelle plate	6,3 x 13 x 1,0 T mm	4
103	PM2000B-1103	Brace		1
104	PM2000B-1104	Bague de connexion		1
105	TS-2311121	Écrou hexagonal	M12-1,75	1
106	F005363L	Vis à chapeau à tête creuse avec enduit frein pour filets	M5-0,8 x 10 L	1
107	PM2000B-1107	Écrou spécial		1
108	TS-2342101	Écrou hexagonal à frein élastique	M10-1,5	1
109	TS-1505061	Vis à chapeau à tête creuse	M10-1,5 x 40 L	1
	PM2000B-HCA	Ensemble de cylindre hydraulique (inclut num 110 à 122)		1
110	HVBS710SG-314	Vis à chapeau à tête creuse	M5-0,8 x 15 L	6
111	TS-1551031	Rondelle de blocage	M5	6
112	TS-1550031	Rondelle plate	5,2 x 10 x 1,0 T mm	6
113	PM2000B-1113	Flasque côté N		1
114	PM2000B-1114	Joint torique	AS029	2
115	PM2000B-1115	Joint torique	AS026	2
116	TS-1482061	Vis à tête hexagonale	M6-1,0 x 30 L	1
117	TS-2311061	Écrou hexagonal	M6-1,0	1

No d'Index	No des pièce	Description	Dimension	Qté
118	PM2000B-1118	Raccord de tuyau d'huile	PT1/4 po x PH1/4 po	2
119	PM2000B-1119	Cylindre hydraulique		1
120	PM2000B-1120	Joint torique	P29	2
121	PM2000B-1121	Piston		1
122	PM2000B-1122	Flaque côté moteur		1
123	PM2000B-1123	Serre-câble	MGB16-10B	3
124	PM2000B-1124	Ensemble de transformateur avec fusible		1
125	TS-1550021	Rondelle plate	4,3 x 10 x 1,0 T mm	2
126	TS-2284082	Vis mécanique cruciforme à tête cylindrique	M4-0,7 x 8 L	2
127	PM2000B-1127	Couvercle de boîte à transformateurs		1
128	F009884	Vis bouton à tête creuse	M5-0,8 x 8L	2
129	PM2000B-1129	Fusible	2A x 250V	2
	LM000304	Étiquette Avertissement (non illustrée)		1
	LM000305	Étiquette ID, PM2000B, 3HP 1PH (non illustrée)		1
	LM000312	Étiquette ID, PM2000B, 5HP 1PH (non illustrée)		1
	LM000313	Étiquette ID, PM2000B, 5HP 3PH (non illustrée)		1
	CL-HV	Étiquette Attention - Haute tension (non illustrée)		2
	PM2000B-1133	Bande noire (non illustrée)	1 po de large	par pi.
	LM000307	Étiquette - Monter roulette (non illustrée)		1
	LM000308	Étiquette - Baisser roulette (non illustrée)		1

14.2.1 PM2000B Ensemble du moteur et du tourillon I – Vue éclatée



14.2.2 PM2000B Ensemble du moteur et du tourillon II – Vue éclatée



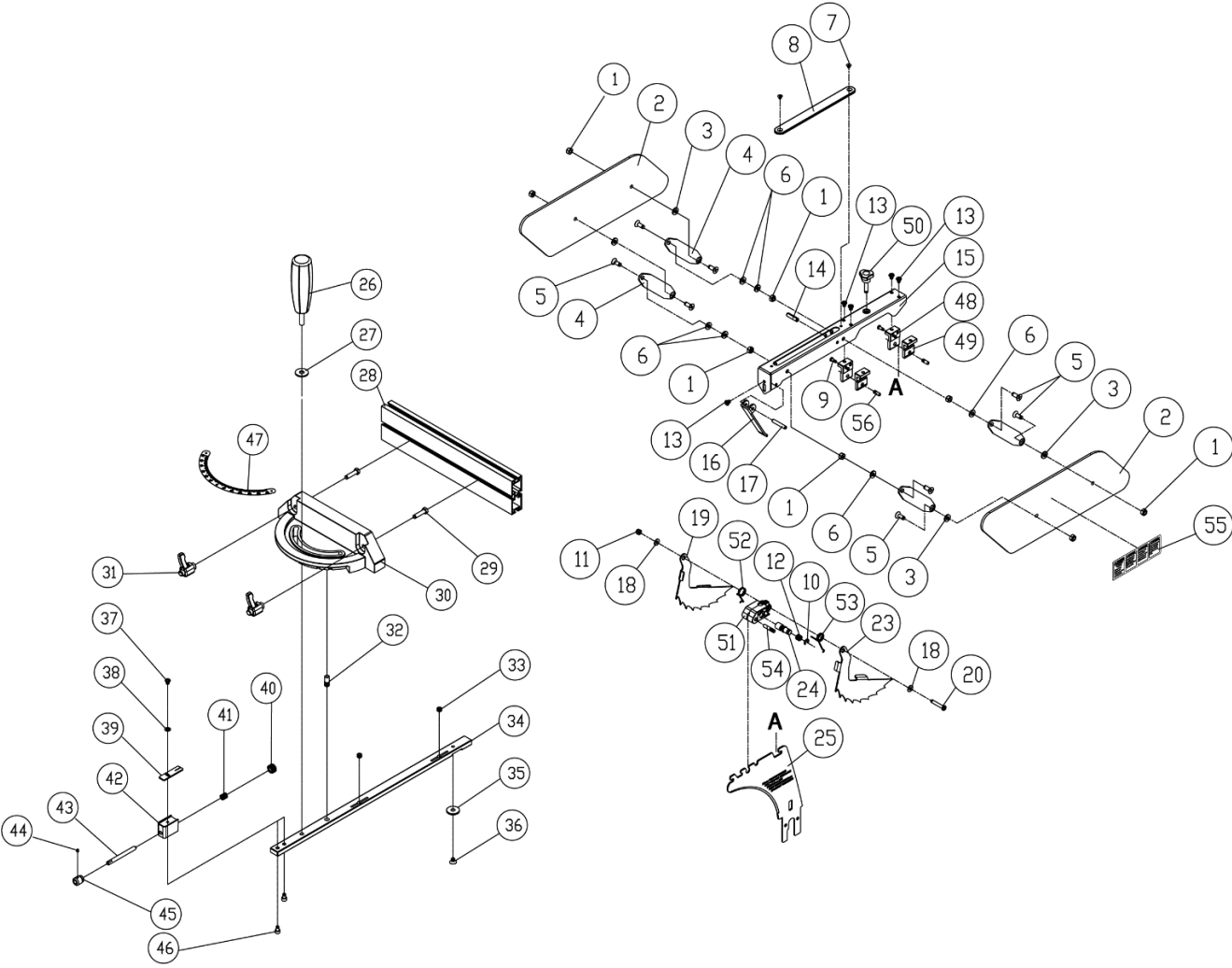
14.2.3 PM2000B Ensemble du moteur et du tourillon – Liste de pièces

No d'Index	No des pièce	Description	Dimension	Qté
1	TS-1541031	Écrou hexagonal à frein élastique	M8-1,25	1
2	F006042	Anneau de retenue de type C, Ext	STW-14	1
3	PM2000B-203	Ressort de pression		1
4	PM2000B-204	Base fixe de couteau séparateur		1
5	PM2000B-205	Bloc de serrage		1
6	TS-1504031	Vis à chapeau à tête creuse	M8-1,25 x 16 L	2
7	PM2000B-207	Couteau séparateur à profil bas	0,1 po (2,5 mm) d'épaisseur	1
8	PM2000B-208	Pinceur de travail de couteau séparateur		1
9	TS-2276081	Vis de pression à tête creuse	M6-1,0 x 8 L	4
10	TS-2245162	Vis bouton à tête creuse	M5-0,8 x 16 L	2
11	PM2000B-211	Goupille pleine		1
12	PM2000B-212	Arbre		1
13	PM2000B-213	Levier		1
14	VB-220J10	Courroie en poly-v	220J-10	1
15	TS-2342141	Écrou hexagonal à frein élastique	M14-2,0	2
16	TS-155009	Rondelle plate	14,2 x 26 x 2 T mm	2
17	F010401L	Vis de pression à tête creuse CPP avec enduit frein pour filets	M6-1,0 x 8 L	2
18	PM2000B-218	Poulie d'arbre		1
19	BB-6204VV	Roulement à billes	6204VV	2
20	F006047	Anneau de retenue de type C, Ext	STW-20	1
21	PM2000B-221	Bague		1
22	F010414L	Vis de pression à tête creuse CPP avec enduit frein pour filets	M10-1,5 x 10 L	1
23	PM2000B-223	Bras de palier		1
24	TS-1550071	Rondelle plate	10 x 20 x 2,0 T mm	14
25	TS-2361101	Rondelle de blocage	M10	17
26	JTS315PST-08	Vis à tête hexagonale	M10-1,5 x 55 L	1
27	TS-1491061	Vis à tête hexagonale	M10-1,5 x 40 L	1
28	PM2000B-228	Plaque fixe		1
29	TS-2286201	Vis à métaux à tête plate Phillips	M6-1,0 x 20 L	2
30	TS-1540031	Écrou hexagonal	M5-0,8	1
31	PM2000B-231	Ressort de tension		1
32	TS-1550031	Rondelle plate	5,3 x 10 x 2,0 T mm	3
33	F001208L	Vis à métaux à tête cylindrique à dépouille avec enduit frein pour filets	M5-0,8 x 8 L	2
34	PM2000B-234	Plaque de rallonge de couteau séparateur		1
35	PM2000B-235	Bague		4
36	TS-1550041	Rondelle plate	6,3 x 13 x 1,0 T mm	4
37	F005267L	Vis à chapeau à tête creuse avec enduit frein pour filets	M6-1,0 x 12 L	4
38	PM2000B-238	Commande de verrouillage de la broche		1
39	PM2000B-239	Vis à épaulement		2
40	6291479	Clavette plate, Dbl Rd Hd	5 x 5 x 30 mm	1
41	PM2000B-241	Arbre		1
42	PM2000B-242	Lame de scie	10 po 40T 5/8A ATB	1
43	PM2000B-243	Bride		1
44	PM2000B-244	Écrou		1
45	PM2000B-245	Liaison		1
46	F009893L	Vis bouton à tête creuse avec enduit frein pour filets	M6-1,0 x 10 L	1
47	PM2000B-247	Capteur de poussière		1
48	TS-1550061	Rondelle plate	8,5 x 16 x 1,5 T mm	1
49	TS-2248162	Vis bouton à tête creuse	M8-1,25 x 16 L	1
50	PM2000B-250	Bloc de transmission de l'élévation		1
51	DT45-110	Clavette plate, Dbl Rd Hd	6 x 6 x 30 mm	1
52	PM2000B-252	Vis de pression à tête creuse	M14-2,0 x 70 L	1
53	TS-2311101	Écrou hexagonal	M10-1,5	1
54	TS-1491041	Vis à tête hexagonale	M10-1,5 x 30 L	1
55	F010418L	Vis de pression à tête creuse CPP avec enduit frein pour filets	M10-1,5 x 25 L	1
56	PM2000B-256	Support de rotation du moteur		1

No d'Index	No des pièce	Description	Dimension	Qté
57	TS-1492051	Vis à tête hexagonale	M12-1,75 P x 50 L	1
58	TS-2361121	Rondelle de blocage	M12	1
59	PM2000B-259	Rondelle plate	13 x 28 x 3,0 T mm	1
60	PM2000B-260	Moteur	3HP 230V 60Hz 1PH	1
	PM2000B-260SC	Condensateur de démarrage	400 µF 125 Vca	1
	PM2000B-260RC	Condensateur de fonctionnement	40 µF 350 Vca	1
	PM2000B-260CC	Couvercle de condensateur		2
	PM2000B-260F	Ventilateur		1
	PM2000B-260FC	Couvercle de ventilateur		1
	PM2000B-260CS	Interrupteur centrifuge		1
	LM000316	Étiquette de moteur, PM2000B (3HP 1PH)		1
	PM2000B-260A	Moteur	5HP 230V 60Hz 1PH	1
	PM2000B-260ASC	Condensateur de démarrage	400 µF 250 Vca	1
	PM2000B-260ARC	Condensateur de fonctionnement	30 µF 500 Vca	1
	PM2000B-260CC	Couvercle de condensateur		1
	PM2000B-260ARCC	Couvercle de condensateur de fonctionnement		1
	PM2000B-260AF	Ventilateur		1
	PM2000B-260AFC	Couvercle de ventilateur		1
	PM2000B-260CS	Interrupteur centrifuge		1
	LM000317	Étiquette de moteur, PM2000B (5HP 1PH)		1
	PM2000B-260B	Moteur	5HP 230/460V 60Hz 3PH	1
	PM2000B-260F	Ventilateur		1
	PM2000B-260FC	Couvercle de ventilateur		1
	LM000318	Étiquette de moteur, PM2000B (5HP 3PH)		1
61	PM2000B-261	Poulie du moteur		1
62	PM2000B-262	Vis de pression à tête creuse CPP avec enduit frein pour filets	M8-1,25 x 20 L	2
63	TS-1505051	Vis à chapeau à tête creuse	M10-1,5 x 35 L	4
64	PM2000B-264	Tourillon		2
65	F006051	Anneau de retenue de type C, Ext	STW-28	1
66	PM2000B-266	Arbre		1
67	PM2000B-267	Rondelle en nylon		1
68	TS-1490021	Vis à tête hexagonale	M8-1,25 x 16 L	1
69	TS-2311081	Écrou hexagonal	M8-1,25	4
70	PM2000B-270	Tourillon central		1
71	PM2000B-271	Rondelle plate	21 x 38 x 3 T mm	1
72	PM2000B-272	Écrou hexagonal à frein élastique	M20-1,5 P	1
73	TS-1490081	Vis à tête hexagonale	M8-1,25 x 45 L	1
74	PM2000B-274	Bloc de transmission de l'inclinaison		1
75	TS-1505031	Vis à chapeau à tête creuse	M10-1,5 x 25 L	3
76	JWBS100S-107	Rondelle de blocage, denture extérieure	M6	1
77	PM2000B-277	Pointeur d'angle		1
78	TS-2246122	Vis bouton à pans creux	M6-1,0 x 12 L	1
79	TS-1490051	Vis à tête hexagonale	M8-1,25 x 30 L	2
80	PM2000B-280	Goupille cylindrique		2
81	PM2000B-281	Bouton de blocage		2
82	PM2000B-282	Poignée		2
83	PM2000B-283	Volant		2
84	F010052L	Vis de pression à tête creuse CPP avec enduit frein pour filets	5/16 po-18 UNC x 5/16 po	2
85	PM2000B-285	Bague		1
86	F010449L	Vis de pression à tête creuse CPP avec enduit frein pour filets	M5-0,8 x 5 L	2
87	PM2000B-287	Rondelle en nylon	19,1 x 25,4 x 1,6 T mm	4
88	5509207	Clavette plate, Dbl Rd Hd	5 x 5 x 20 mm	1
89	PM2000B-289	Clavette Woodruff		2
90	PM2000B-290	Arbre de volant d'élévation		1
91	PM2000B-291	Bague		1
92	PM2000B-292	Arbre de vis sans fin		2
93	F012076	Goupille cylindrique	5 x 30 mm	2
94	PM2000B-294	Arbre de volant d'inclinaison		1
95	5783961	Clavette plate, Dbl Rd Hd	5 x 5 x 18 mm	1

No d'Index	No des pièce	Description	Dimension	Qté
96	PM2000B-296	Base d'arbre de vis sans fin d'inclinaison		1
97	TS-2361081	Rondelle de blocage	M8	2
98	TS-1504061	Vis à chapeau à tête creuse	M8-1,25 x 30 L	2
99	PM2000B-299	Support		1
100	PM2000B-2100	Vis taraudeuse à tête cylindrique Phillips	M3-1,06 x 6 L	2
101	F001208	Vis mécanique cruciforme à tête cylindrique	M5-0,8 x 8 L	2
102	TS-2171012	Vis mécanique cruciforme à tête cylindrique	M4-0,7 x 6 L	2
103	PM2000B-2103	Disque d'induction		1
104	PM2000B-2104	Bague		1
105	F010408L	Vis de pression à tête creuse CPP avec enduit frein pour filets	M8-1,25 x 10 L	2
106	TS-1491031	Vis à tête hexagonale	M10-1,5 x 25 L	8
107	PM2000B-2107	Ensemble de commutateur magnétique	3HP 230V 60Hz 1PH	1
	PM2000B-2107OR	Relais à maximum	NTH14	1
	PM2000B-2107A	Ensemble de commutateur magnétique	5HP 230V 60Hz 1PH	1
	PM2000B-2107AOR	Relais à maximum	NTH21	1
	PM2000B-2107B	Ensemble de commutateur magnétique	5HP 230/460V 60Hz 3PH	1
	PM2000B-2107BOR	Relais à maximum (230 V)	NTH15	1
	PM2000B-2107BORA	Relais à maximum (460 V)	NTH8	1
108	PM2000B-2108	Clé de sécurité		1
109	PM2000B-2109	Plaque d'interrupteur		1
110	PM2000B-2110	Serre-câble (3HP, 1PH)	SR-7R3	2
	PM2000B-2110A	Serre-câble (5HP, 1PH et 5HP, 3PH)	SR-8R3	2
111	PM2000B-2111	Serre-câble (3HP, 1PH et 5HP, 1PH)	MGB16-10B	1
	PM2000B-2111A	Serre-câble (5HP, 3PH)	MGB16-10B	2
112	PM2000B-2112	Câble de moteur	SJT 12AWG x 3C x 1900 mm	1
	PM2000B-2112A	Câble de moteur	SJT 10AWG x 3C x 1900 mm	1
	PM2000B-2112B	Câble de moteur	SJT 12AWG x 4C x 1900 mm	1
113	PM2000B-2113	Câble d'alimentation	SJT 12AWG x 3C x 2000 mm	1
	PM2000B-2113A	Câble d'alimentation	SJT 10AWG x 3C x 2000 mm	1
	PM2000B-2113B	Câble d'alimentation	ST 12AWG x 4C x 2000 mm	1
114	PM2000B-2114	Câble DRO	SJT 18 AWG x 2C x 1400 mm	1
115	PM2000B-2115	Câble de transformateur	SJT 18AWG x 3C x 2100 mm	1
116	PM2000B-2116	Vis taraudeuse à tête cylindrique Phillips	M5-2,12 x 25	2
117	PM2000B-2117	Clé d'Arbre (non illustrée)		1

14.3.1 PM2000B Ensembles du protecteur de lame et de la jauge à onglets – Vue éclatée

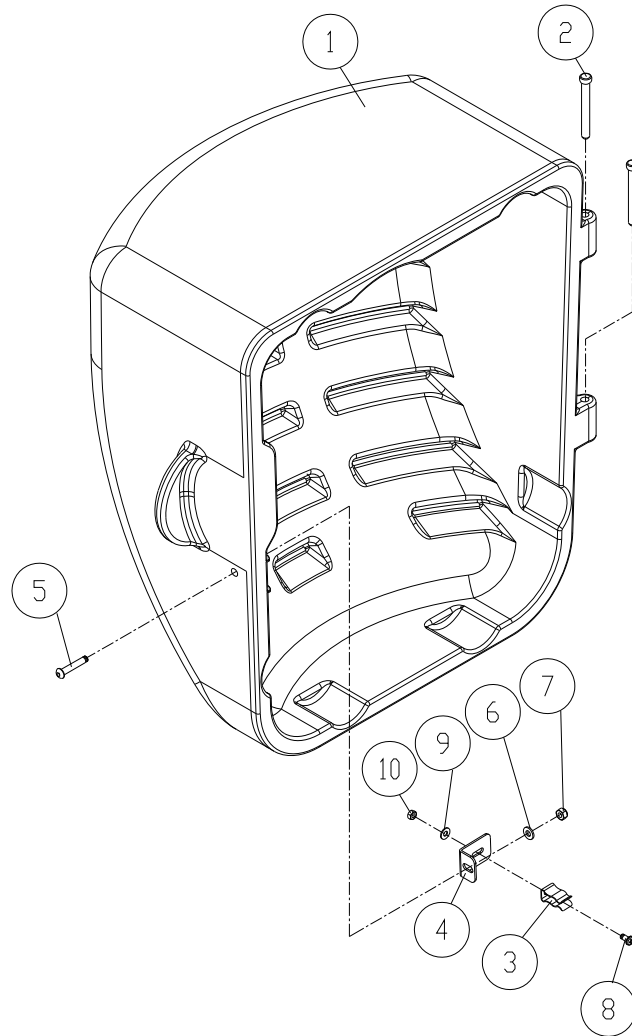


14.3.2 PM2000B Ensembles du protecteur de lame et de la jauge à onglets – Liste de pièces

No d'Index	No des pièce	Description	Dimension	Qté
	PM2000B-BGAB	Ensemble de protecteur de lame (inclut num 1-9, 13-17, 48-50, 55, 56) *		1
1	TS-1541021	Écrou hexagonal à frein élastique	M6-1,0	8
2	PM2000B-302B	Écran latéral de protecteur de lame		2
3	PM2000B-303	Rondelle plate fine	6,7 x 16 x 1,0T	4
4	PM2000B-304	Attelage		4
5	TS-1534051	Vis à métaux à tête plate Phillips	M6-1.0 x 16L	8
6	TS-1550041	Rondelle plate	6.7 x 16 x 2.0T	6
7	TS-2284081	Vis à métaux à tête plate Phillips	M4-0,7 x 8L	2
8	PM2000B-308	Écran supérieur		1
9	TS-1532032	Vis à tête cylindrique Phillips	M4-0,7 x 10L	2
10	F006090	Anneau de retenue de type E	ETW-7	2
11	TS-1541011	Écrou hexagonal à frein élastique	M5-0,8	4
12	PM2000B-312B	Ressort de pression		1
13	6286494	Vis à tête cylindrique Phillips	M5-0.8 x 6L	5
14	1014960	Goupille cylindrique	5 x 40mm	1
15	PM2000B-315B	Corps de protecteur de lame		1
16	PM2000B-316B	Écran avant		1
17	3P12314	Goupille cylindrique	5 x 32mm	1
	PM2000B-APAB	Ensemble de linguets antirecul (inclut num 10-12,18-20, 23-24, 51-54)		1
18	TS-1550031	Rondelle plate	5.3 x 12 x 1.0T	2
19	PM2000B-319B	Linguet antirecul gauche		1
20	PM2000B-320	Vis à tête cylindrique Phillips	M5-0,8 x 30L	1
23	PM2000B-323B	Linguet antirecul droit		1
24	PM2000B-324B	Goupille de sécurité de linguet antirecul		1
25	PM2000B-325B	Couteau séparateur	2,3mm d'épaisseur	1
	PM2000B-MGA	Ensemble de jauge à onglets (inclut num 26 à 47)		1
26	PM2000B-326	Bouton		1
27	TS-1550061	Rondelle plate	8.5 x 23 x 2.0T	1
28	PM2000B-328	Guide		1
29	TS-0050051	Vis à tête hexagonale	1/4 po-20UNC x 1 po	2
30	PM2000B-330	Corps de jauge à onglets		1
31	PM2000B-331	Poignée universelle		2
32	PM2000B-332	Tige		1
33	F010450	Vis de pression à tête creuse CPP	M8-1,25 x 5L	2
34	PM2000B-334	Barre à onglets		1
35	PM2000B-335	Rondelle guide		1
36	F001220	Vis à métaux à tête plate Phillips	M6-1,0 x 8L	1
37	TS-0810012	Vis à métaux à tête ronde	#10-24 x 1/4 po L	1
38	TS-1550031	Rondelle plate	5,2 x 10 x 1,0T	1
39	PM2000B-339	Pointeur		1
40	PM2000B-340	Pignon		1
41	PM2000B-341	Ressort de pression		1
42	PM2000B-342	Moyeu d'arbre-pignon		1
43	PM2000B-343	Arbre		1
44	TS-1521011	Vis de pression à tête creuse	M4-0,7P x 4 L	1
45	PM2000B-345	Bouton		1
46	TS-1502011	Vis à chapeau à tête creuse	M5-0,8 P x 8 L	2
47	PM2000B-347	Échelle		1
48	PM2000B-348	Détendeur de goupille de sécurité gauche		2
49	PM2000B-349	Détendeur de goupille de sécurité droit		2
50	PM2000B-350	Bouton de verrouillage		1
51	PM2000B-351	Détendeur de linguet		1
52	PM2000B-352	Ressort de torsion droit		1
53	PM2000B-353	Ressort de torsion gauche		1
54	PM2000B-354	Goupille solide		1
55	LM000309B	Étiquette Avertissement - Protecteur de lame		1
56	PM2000B-356B	Goupille de sécurité de couteau séparateur		1

* Pour les modèles avec numéro de série. 1911PM2000B1308 et supérieur

14.4.1 PM2000B Ensemble du capot du moteur – Vue éclatée

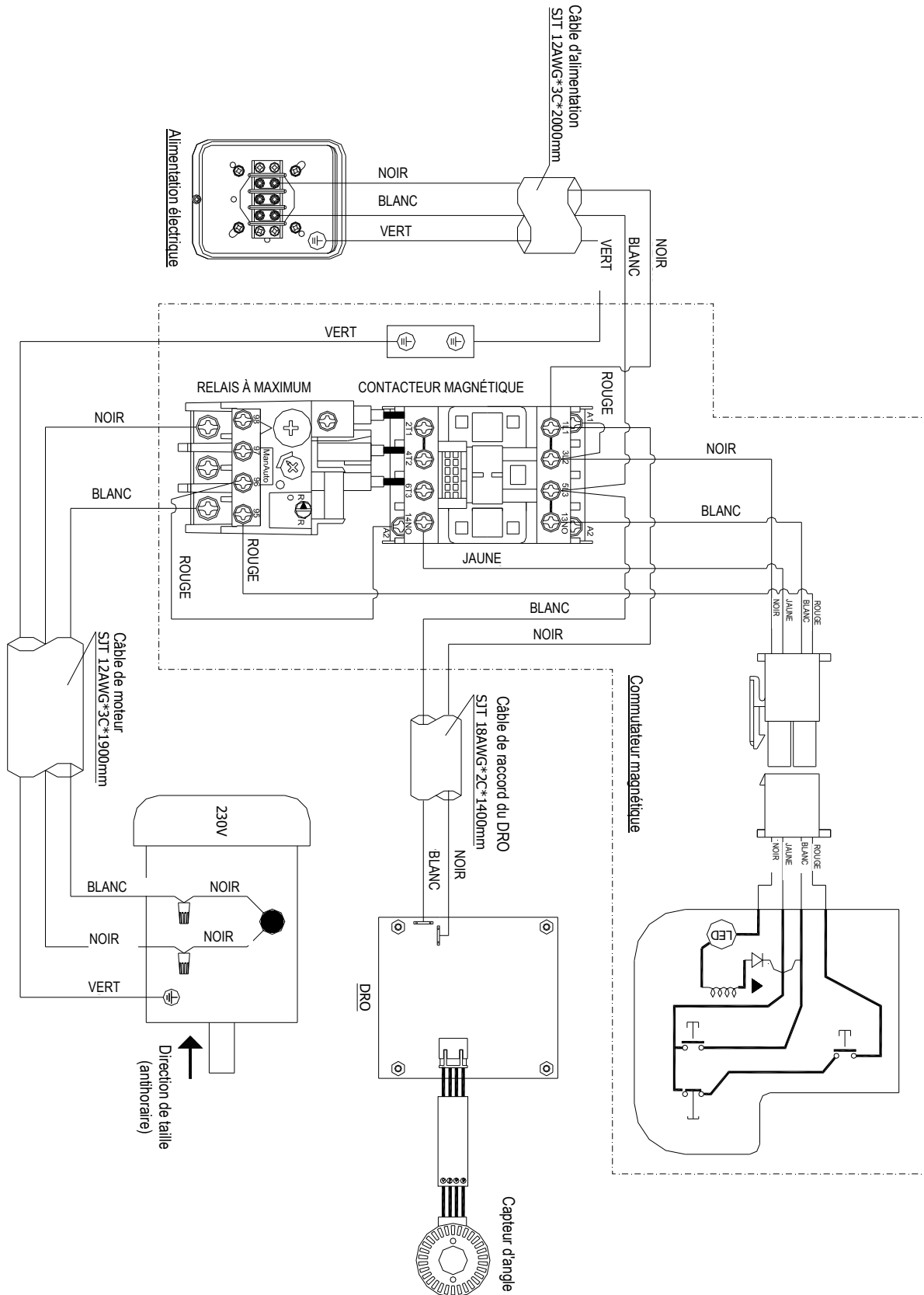


14.4.2 PM2000B Ensemble du capot du moteur – Liste de pièces

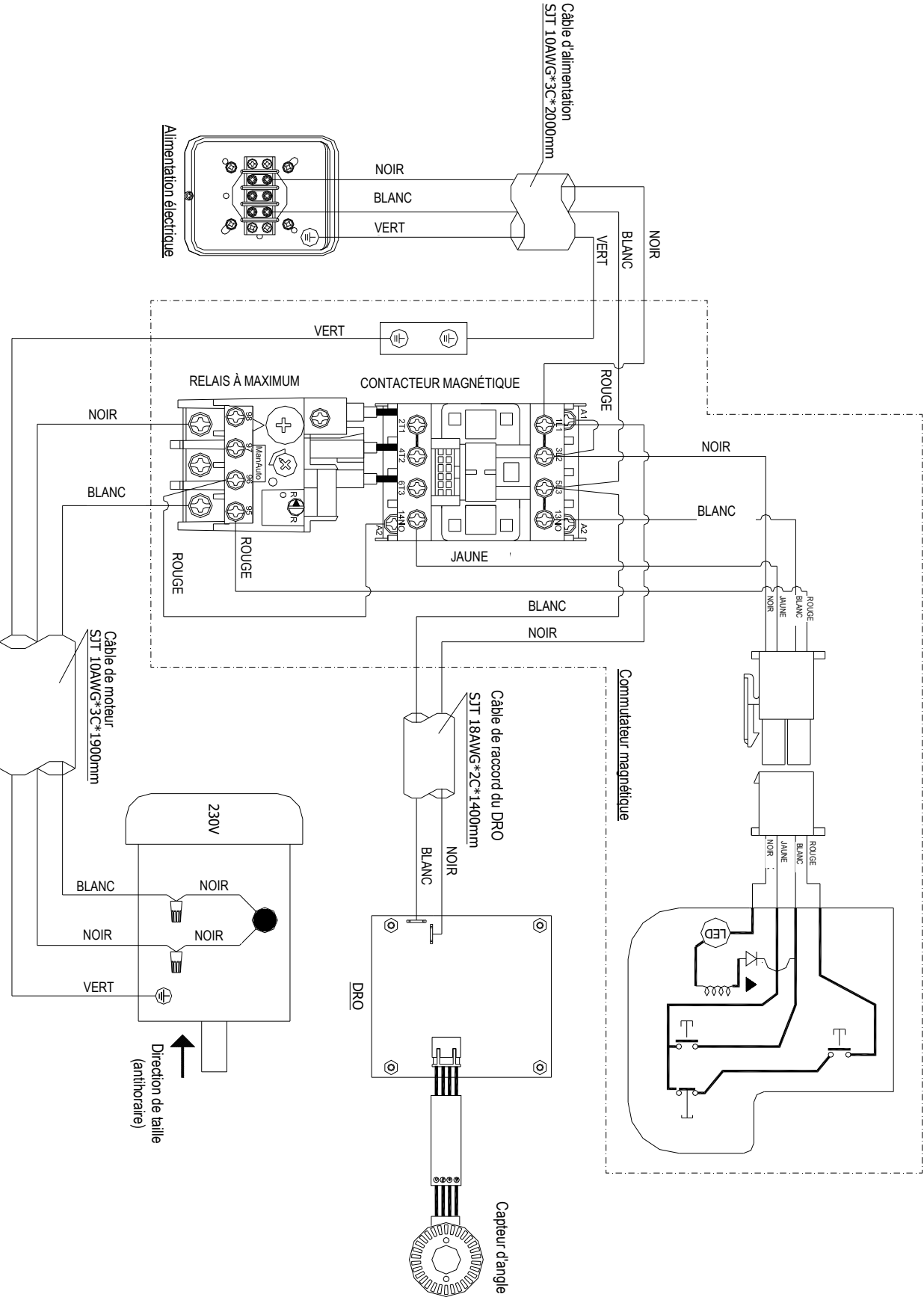
No d'Index	No des pièce	Description	Dimension	Qté
.....	6827044B.....	Ensemble du capot du moteur (inclut num 1 à 10).....	1
1.....	PM2000B-401.....	Capot du moteur.....	1
2.....	PM2000B-402.....	Axe d'articulation.....	2
3.....	PM2000B-403.....	Pince à ressort.....	1
4.....	PM2000B-404.....	Noix de serrage.....	1
5.....	TS-2246302.....	Vis bouton à pans creux.....	M6-1,0 x 30 L.....	1
6.....	TS-1550041.....	Rondelle plate.....	6,2 x 13 x 1,5 T mm.....	1
7.....	TS-1541021.....	Écrou hexagonal à frein élastique.....	M6-1,0.....	1
8.....	TS-1533032.....	Vis mécanique cruciforme à tête cylindrique.....	M5-0,8 x 10 L.....	1
9.....	TS-1550031.....	Rondelle plate.....	5,3 x 12 x 1,0 T mm.....	1
10.....	TS-1540031.....	Écrou hexagonal.....	M5-0,8.....	1

15.0 Connexions électriques

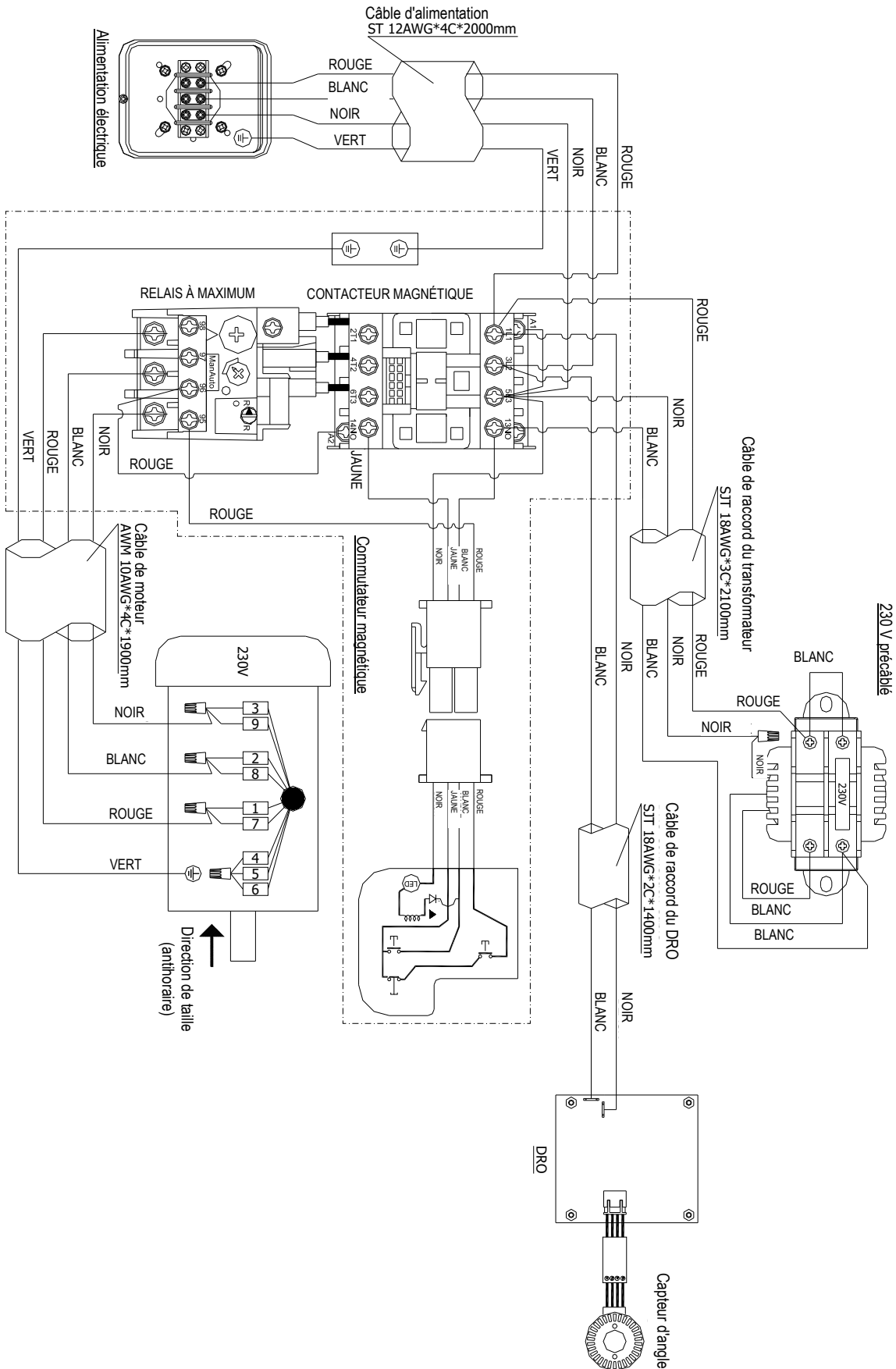
15.1 PM2000B Schéma de câblage – 3HP, 230V, 1PH



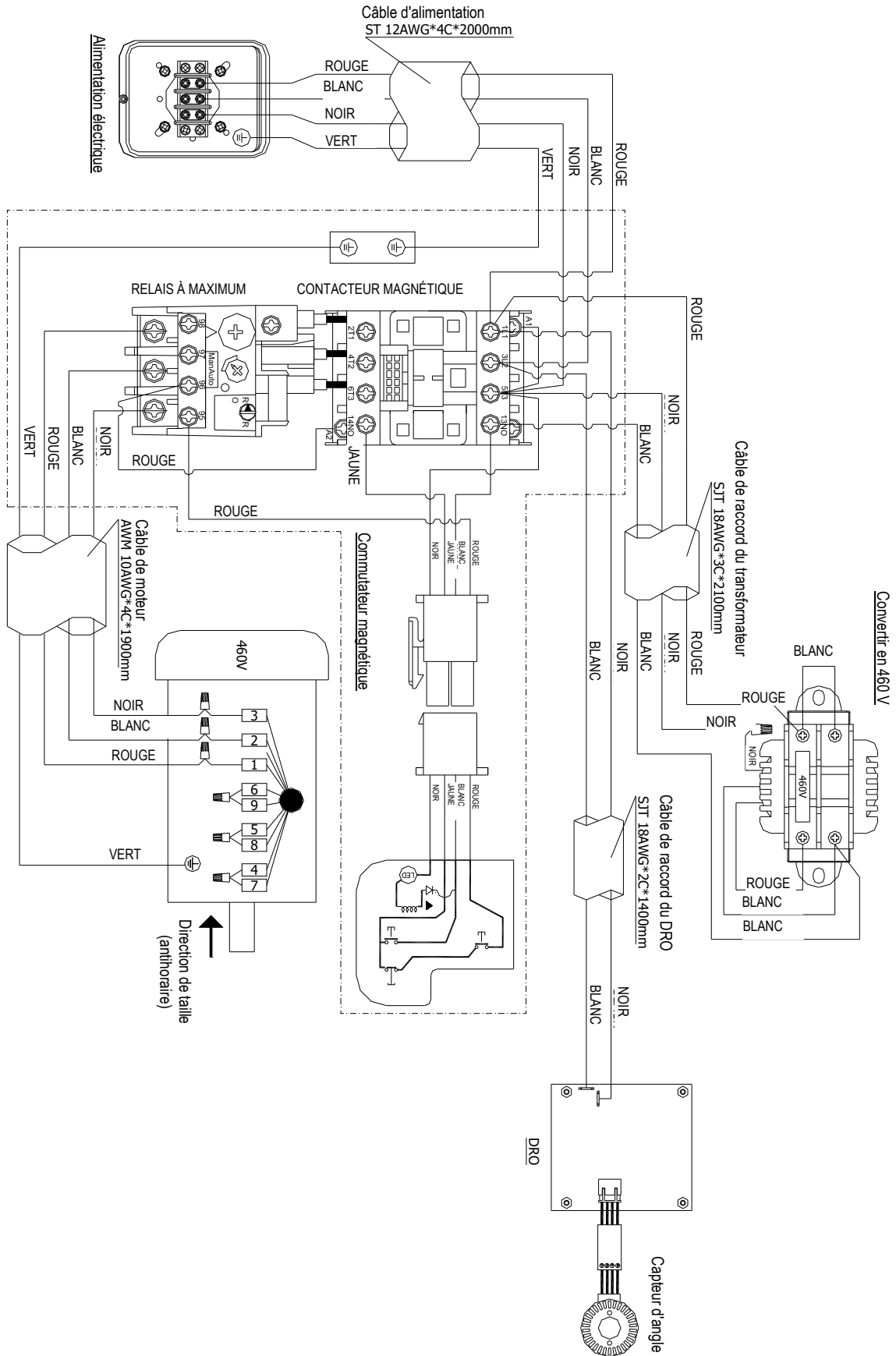
15.2 PM2000B Schéma de câblage – 5HP, 230V, 1PH



15.3 PM2000B Schéma de câblage – 5HP, 230V, 3PH



15.4 PM2000B Schéma de câblage – 5HP, 460V, 3PH



16.0 Garantie et entretien

Powermatic^{MD} garantit chaque produit qu'elle vend contre les défauts du fabricant. Si l'un de nos outils a besoin d'un entretien ou d'une réparation, veuillez contacter le service technique en composant le 1-800-274-6846, de 8 h à 17 h HNC, du lundi au vendredi.

Période de garantie

La garantie générale reste en vigueur pour la période spécifiée dans les documents fournis avec votre produit ou sur le site Web marqué officiel de Powermatic.

- Les produits Powermatic ont une garantie limitée qui a une durée variable selon le produit. (Voir le tableau ci-dessous)
- Les accessoires ont une garantie limitée d'un an à compter de la date du reçu.
- Les articles de consommations sont définis comme étant des pièces ou des accessoires d'usure qui devraient devenir inutilisables dans un délai d'usure raisonnable et qui sont couverts par une garantie limitée de 90 jours contre les défauts du fabricant.

Qui est couvert

Cette garantie couvre uniquement l'acheteur initial du produit à compter de la date de livraison.

Ce qui est couvert

Cette garantie couvre tout défaut de fabrication ou de matériaux soumis aux limitations indiquées ci-dessous. Cette garantie ne couvre pas les défaillances causées directement ou indirectement par une mauvaise utilisation, un abus, une négligence ou des accidents, une usure normale, une réparation inadéquate, des modifications ou un manque d'entretien. La machinerie de menuiserie de Powermatic est conçue pour être utilisée avec du bois. L'utilisation de ces machines dans la transformation du métal, de plastiques ou d'autres matériaux hors des lignes directrices pourrait annuler la garantie. Les exceptions sont les acryliques et les autres articles naturels spécialement conçus pour le tournage du bois.

Limitations de la garantie

Les produits de menuiserie avec une garantie de cinq ans qui sont utilisés à des fins commerciales ou industrielles verront leur garantie de cinq ans passer à deux ans par défaut. Veuillez communiquer avec le service technique au 1-800-274-6846 pour obtenir d'autres précisions.

Comment obtenir du soutien technique

Veuillez communiquer avec le service technique en composant le 1-800-274-6846. **Veuillez noter que vous devrez fournir la preuve de l'achat initial lorsque vous appellerez.** Si un produit nécessite une inspection plus poussée, le représentant du service technique vous expliquera et vous guidera pour toute autre action requise. Powermatic a des centres de service autorisés à travers les États-Unis. Pour le nom d'un centre de service autorisé de votre région, composez le 1-800-274-6846 ou utilisez le service de localisation de centres de service sur le site Web de Powermatic.

Plus d'informations

Powermatic ajoute constamment de nouveaux produits. Pour obtenir les informations complètes et mises à jour sur le produit, consultez votre distributeur local ou visitez le site Web de Powermatic.

Comment s'applique la loi de la Province

Cette garantie vous confère des droits légaux spécifiques, sous réserve de la loi de la province applicable.

Limitations de cette garantie

POWERMATIC LIMITE TOUTE GARANTIE IMPLICITE DURANT LA PÉRIODE DE LA GARANTIE LIMITÉE POUR CHAQUE PRODUIT. SAUF EXPRESSÉMENT STIPULÉ CI-APRÈS, TOUTE GARANTIE IMPLICITE DE VENTE OU D'ADAPTATION À DES FINS PARTICULIÈRES EST EXCLUE. CERTAINES PROVINCES N'AUTORISENT PAS LES LIMITATIONS DE DURÉE D'UNE GARANTIE, ALORS LA LIMITATION CI-DESSUS PEUT NE PAS S'APPLIQUER À VOUS.

POWERMATIC NE SERA EN AUCUN CAS TENUE RESPONSABLE DE DÉCÈS, DE BLESSURES OU DÉGÂTS MATÉRIELS OU DE DOMMAGES INDIRECTS, CONSÉCUTIFS, PARTICULIERS OU INDIRECTS ASSOCIÉS À L'USAGE DE NOS PRODUITS. CERTAINES PROVINCES N'AUTORISENT PAS L'EXCLUSION OU LA LIMITATION DES DOMMAGES ACCIDENTELS OU CONSÉCUTIFS, ALORS LA LIMITATION OU L'EXCLUSION PEUT NE PAS S'APPLIQUER À VOUS.

Powermatic vend uniquement par l'intermédiaire de distributeurs. Les spécifications énumérées dans le matériel imprimé de Powermatic et sur le site Web officiel de Powermatic sont à titre indicatif et ne sont pas contractuelles. Powermatic se réserve le droit d'apporter ces modifications aux pièces, aux raccords et aux accessoires à tout moment, sans préavis, si elle considère qu'elles sont nécessaires pour quelque raison que ce soit.

Liste de produits avec période de garantie

90 jours – Pièces; articles de consommation
1 an – Moteur, accessoires de la machine
2 ans – Machinerie de menuiserie utilisée à des fins industrielles ou commerciales.
5 ans – Machinerie de menuiserie

REMARQUE : Powermatic est une filiale de JPW Industries, Inc. Tout ce qui se rapporte à Powermatic dans le présent document s'applique aussi à JPW Industries, Inc. ou à tout successeur ayant un intérêt dans la marque Powermatic.

Cette page a été intentionnellement laissée vierge.



427 Rue New Sanford
LaVergne, Tennessee 37086
Téléphone : 800-274-6848
www.powermatic.com

POWERMATIC®

Manual de instrucciones de operación y piezas **Sierra de gabinete de 10 pulgadas** **Modelo PM2000B**



Se muestra con conjunto de
largueros de 30 pulg

Para modelos con número de serie 1911PM2000B1308 y superior

Powermatic
427 New Sanford Road
LaVergne, Tennessee 37086
Tel: 800-274-6848
www.powermatic.com

No. de pieza M-PM231B
Edición 4 09/2019
ECR 190517174815
Copyright © 2017 Powermatic



1.0 INSTRUCCIONES DE SEGURIDAD IMPORTANTES

LEA TODAS LAS INSTRUCCIONES ANTES DE USAR ESTA MÁQUINA.

ADVERTENCIA – Para reducir el riesgo de lesiones:

1. ¡Lea y entienda todo el contenido de este manual del propietario antes de tratar de armarla o hacerla funcionar!
2. Lea y entienda las advertencias indicadas en la máquina y este manual. De no cumplir con todas estas advertencias se pueden producir lesiones graves.
3. Reemplace las etiquetas de advertencia si se oscurecen o se retiran.
4. Esta sierra de mesa está diseñada y prevista para ser usada por personal debidamente capacitado y experimentado solamente. Si no está familiarizado con la operación apropiada y segura de una sierra de mesa, no la use hasta que haya obtenido una capacitación y unos conocimientos apropiados.
5. No use esta sierra de mesa para otro fin que no sea su empleo en aplicaciones para las que se ha diseñado. Si se usa para otros fines, Powermatic renuncia a cualquier garantía real o implícita y se exime de la responsabilidad de las lesiones que puedan ser consecuencia de dicho uso.
6. Lleve siempre gafas de seguridad u una máscara protectora aprobadas cuando use esta sierra de mesa. (Las gafas de uso diario solo tienen lentes resistentes a los impactos; no son gafas de seguridad).
7. Antes de operar esta sierra de mesa, quítese la corbata, los anillos, los relojes de pulsera y otros artículos de joyería y arremánguese por encima de los codos. No lleve ropa holgada. Recójase el cabello. Se recomienda usar calzado antirresbaladizo o tiras antideslizantes. **No** lleve puestos guantes.
8. Lleve protectores de oídos (tapones u orejeras) durante largos períodos de operación.
9. No haga funcionar esta máquina si está cansado o bajo la influencia de drogas, alcohol o cualquier medicina.
10. Asegúrese de que la máquina esté debidamente puesta a tierra.
11. Efectúe todos los ajustes de la máquina o el mantenimiento con la máquina desenchufada de la fuente de alimentación. Una máquina sometida a reparaciones debe tener una ETIQUETA ROJA que muestra que no debe usarse hasta que se haya completado el mantenimiento.
12. Quite las llaves de ajuste y herramientas. Acostúmbrese a comprobar que las llaves de ajuste y herramientas estén fuera de la máquina antes de encenderla.
13. Mantenga los protectores de seguridad colocados en todo momento cuando se use la máquina. Si se quitan para fines de mantenimiento, tenga mucho cuidado y vuelva a colocar los protectores de inmediato.
14. Compruebe la alineación del separador, de la guía y de la ranura de inglete con la hoja. Hay una calcomanía de precaución instalada en cada protector para recordar al operador de los peligros de una operación indebida a la máquina.
15. Compruebe si hay piezas dañadas. Antes de usar más la máquina, se debe comprobar detenidamente si hay un protector u otra pieza para determinar si funcionará debidamente y realizará su función prevista. Compruebe la alineación y adherencia de las piezas móviles, la rotura de piezas, el armado y cualquier otra condición que pueda afectar su operación. Un protector u otra pieza dañados debe repararse o reemplazarse debidamente.
16. Proporcione un espacio adecuado alrededor del área de trabajo y una luz por encima que no dé reflejos.
17. Mantenga el piso alrededor de la máquina limpio y sin materiales de desecho, aceite y grasa.
18. Mantenga a los visitantes a una distancia segura del área de trabajo. No deje que se acerquen los niños.
19. Prepare su taller a prueba de niños con candados, interruptores principales o retirando las llaves de seguridad.
20. Preste toda la atención a su trabajo. Mirar alrededor, mantener una conversación y “jugar” son acciones descuidadas que pueden provocar lesiones graves.
21. Mantenga una posición equilibrada en todo momento, de modo que no se pueda caer contra la hoja u otras piezas móviles. No extienda el brazo ni use una fuerza excesiva para realizar cualquier operación de la máquina.
22. Use la herramienta apropiada a las velocidades de corte y alimentación correctas. No fuerce una herramienta ni un accesorio para hacer un trabajo para el que no estén diseñadas. Se hará un mejor trabajo y más seguro usado la herramienta adecuada.
23. Use accesorios recomendados; los accesorios indebidos pueden ser peligrosos.
24. Efectúe el mantenimiento de las herramientas con cuidado. Mantenga la hoja afilada y limpia

para obtener el mejor rendimiento de forma más segura. Siga las instrucciones para lubricar y cambiar accesorios.

25. Compruebe si la hoja de la sierra tiene rajaduras o le faltan dientes. No use una hoja agrietada o desafilada o a la que le falten dientes o esté fijada indebidamente. Asegúrese de que la hoja esté bien fijada al árbol.
26. No acerque las manos al área de la hoja. No introduzca el brazo pasada la hoja para despejar piezas o residuos con la hoja de la sierra en marcha. No sierre nunca a mano libre. Evite operaciones y posiciones de la mano extrañas cuando un deslizamiento súbito pueda hacer que la mano haga contacto con la hoja.
27. No trate de serrar tableros con nudos sueltos o clavos u otras materias extrañas, en su superficie. No trate de serrar madera torcida, alabeada o arqueada a menos que se haya unido un borde para fines de guía antes de serrar. No se deben usar maderas demasiado alabeadas.
28. No trate de serrar tableros largos o anchos sin sujetar donde el resorte o el peso puedan hacer que el tablero cambie de posición.
29. Use siempre el separador, el protector de hoja, la varilla de empuje y otros dispositivos de seguridad para todas las operaciones donde se pueden usar. En operaciones como juntas de ranura o molduras donde no se puede usar el protector de hoja, use tableros de presión, aparatos y otros dispositivos de seguridad y tenga mucho cuidado. Vuelva a instalar el separador y el protector de hoja de inmediato después de completar la operación que requería su retirada.
30. Asegúrese de que la hoja de la sierra gire hacia la derecha cuando se observa desde el lado del motor (lado izquierdo) de la máquina.
31. Apague la máquina antes de limpiarla. Use un cepillo o aire comprimido para eliminar las astillas o residuos. No use las manos desprotegidas.
32. No se pare encima de la máquina. Se pueden producir lesiones graves si se vuelca la máquina.
33. No deje nunca la máquina funcionando de forma desatendida. Desconecte la corriente y no deje la máquina hasta que se pare completamente.
34. Quite los artículos sueltos y las piezas de trabajo innecesarias del área antes de arrancar la máquina.
35. La hoja debe tener una exposición mínima durante los cortes. Ajuste la hoja a aproximadamente 1/8" por encima de la superficie de la pieza.

⚠ ADVERTENCIA: Este producto puede exponerlo a productos químicos, incluido plomo que, según el estado de California, causa cáncer y defectos de nacimiento u otros daños reproductivos. Para obtener más información, vaya a <http://www.p65warnings.ca.gov>.

⚠ ADVERTENCIA: La perforación, aserrado, lijado o mecanizado de productos de madera genera polvo de madera y otras sustancias conocidas por el Estado de California como causante de cáncer. Evitar la inhalación de polvo que se genera a partir de productos de madera o utilizar una mascarilla contra el polvo u otras medidas de seguridad para protección personal.

Productos de madera emiten sustancias químicas conocidas en el Estado de California como causa de defectos de nacimiento u otros daños reproductivos. Para obtener más información, vaya a <http://www.p65warnings.ca.gov/wood>.

1.1 Retroceso

Los accidentes más comunes entre usuarios de sierras de mesa, según las estadísticas, pueden relacionarse con el retroceso, la expulsión de material a alta velocidad de la mesa puede golpear al operador. El retroceso también puede atraer las manos del operador hacia la hoja.

Prevención del retroceso

Consejos para evitar las causas más comunes del retroceso:

- Asegúrese de que el separador esté siempre alineado con la hoja. Una pieza de madera puede atascarse o detener el flujo del corte si el separador está desalineado, y ocasiona un retroceso.
- Use un separador durante los cortes. El separador mantiene el ancho de corte en la pieza, lo que reducirá la posibilidad de retroceso.
- No trate nunca de hacer cortes a mano. La pieza debe alimentarse paralela a la hoja, ya que de lo contrario es probable que se produzca un retroceso. Use siempre la guía de corte o calibre de inglete para sujetar la pieza.
- Asegúrese de que la guía de corte sea paralela a la hoja. Si no es así, las posibilidades de retroceso son muy elevadas. Tómese el tiempo para comprobar y ajustar la guía de corte.
- Avance los cortes hasta completarse. En cualquier momento en que deje de alimentar la pieza que está en el medio de un corte,


aumenta considerablemente la a probabilidad de atasco produciendo un retroceso.


Consejos de protección contra los retrocesos

El retroceso puede ocurrir incluso si se toman precauciones para impedirlo. A continuación, se indican algunos consejos de protección en caso de que se *produzca* un retroceso:

- Póngase a un lado de la hoja al cortar. Una pieza expulsada normalmente se desplaza directamente delante de la hoja.
- Lleve gafas de seguridad o una máscara. Los ojos y la cara son la parte más vulnerable del cuerpo.
- No coloque nunca la mano detrás de la hoja. Si se produce un retroceso, la mano será atraída hacia la hoja.
- Use una varilla de empuje para mantener alejadas las manos de la hoja móvil. Si se produce un retroceso, la varilla de empuje probablemente absorberá el daño que se habría producido en la mano.

Familiarícese con los siguientes avisos de seguridad usados en este manual:

 **PRECAUCIÓN** Esto significa que si no se respetan las precauciones, se pueden producir lesiones menores y posibles daños en la máquina.

 **ADVERTENCIA** Esto significa que si no se respetan las precauciones, se pueden producir lesiones graves o posiblemente incluso mortales.

2.0 Acerca de este manual

Powermatic proporciona este manual que cubre los procedimientos de operación y mantenimiento seguros para una sierra de gabinete modelo PM2000B de Powermatic. Este manual contiene instrucciones sobre instalación, precauciones de seguridad, procedimientos de operación generales, instrucciones de mantenimiento y enumeración de piezas. Esta máquina se ha diseñado y construido para proporcionar una operación uniforme a largo plazo si se usa según las instrucciones establecidas en este documento.

Este manual no tiene como fin ser una guía exhaustiva de métodos de operación de sierra de mesa, uso de dispositivos o accesorios comerciales, selección de materiales o brocas de corte, etc. Se pueden obtener conocimientos adicionales de usuarios experimentados o artículos profesionales. Sea cual sea el método aceptado usado, haga que la seguridad personal sea siempre prioritaria.

Si desea hacer preguntas o comentarios, póngase en contacto con su proveedor local o Powermatic. Powermatic también puede visitarse en nuestro sitio web: www.powermatic.com.

Conserve este manual como referencia. Si la máquina cambia de dueño, el manual debe acompañarla.

 **ADVERTENCIA** ¡Lea y entienda todo el contenido de este manual antes de tratar de armar o hacer funcionar! ¡De no cumplir con esto se pueden producir lesiones graves!

3.0 Índice

Sección	Página
1.0 INSTRUCCIONES DE SEGURIDAD IMPORTANTES	2
1.1 Retroceso	3
2.0 Acerca de este manual	4
3.0 Índice	5
4.0 Terminología de la sierra de mesa	7
5.0 Especificaciones para PM2000B	8
5.1 Configuraciones de los kits	9
6.0 Configuración y armado	10
6.1 Contenido de envío	10
6.2 Herramientas requeridas para el armado	10
6.3 Desembalaje y limpieza	11
6.4 Instalación de las alas de extensión	11
6.5 Volante, perillas, palancas	12
6.6 Largueros y guía	12
6.7 Cubierta del motor	12
6.8 Inserto de la mesa	13
6.9 Instalación y retirada de la hoja	13
6.10 Instalación de conjunto de protector/cuchilla	13
6.11 Orificio para el polvo	14
7.0 Conexiones eléctricas	15
7.1 INSTRUCCIONES DE PUESTA A TIERRA	15
7.2 Conversión de voltaje (modelo trifásico solamente)	15
7.3 Cordones de alargamiento	15
7.4 Interruptor magnético con llave de seguridad	16
8.0 Ajustes	16
8.1 Herramientas requeridas para los ajustes	16
8.2 Alineamiento de la guía	16
8.3 Subida e inclinación de la hoja	16
8.4 Mecanismo de las ruedecillas orientables	17
8.5 Calibre de inglete	17
8.6 Ajuste de tope de inclinación de la hoja	18
8.7 Alineación del separador	18
8.8 Alineación de la mesa con la hoja	19
8.9 Ajuste de la correa	20
8.10 Calibración de la DRO y operación	20
9.0 Operaciones	21
10.0 Dispositivos de seguridad	26
10.1 Tablero de presión	26
10.2 Varilla de empuje y bloque de empuje	26
11.0 Mantenimiento del usuario	27
11.1 Inspección general	27
11.2 Limpieza	27
11.3 Lubricación	27
11.4 Retirada del árbol/cojinete del árbol	27
11.5 Servicio adicional	27
12.0 Accesorios opcionales	28
13.0 Resolución de problemas Sierra de gabinete PM2000B	29
13.1 Problemas del motor y eléctricos	29
13.2 Problemas mecánicos y eléctricos	30
14.0 Piezas de repuesto	31
14.1.1 PM2000B Conjunto de mesa y gabinete I – Vista desarrollada	32
14.1.2 PM2000B Conjunto de mesa y gabinete II – Vista desarrollada	33
14.1.3 PM2000B Conjunto de mesa y gabinete – Lista de piezas	34
14.2.1 PM2000B Conjunto de motor y muñón I – Vista desarrollada	37
14.2.2 PM2000B Conjunto de motor y muñón II – Vista desarrollada	38
14.2.3 PM2000B Conjunto de motor y muñón – Lista de piezas	39
14.3.1 PM2000B Conjuntos de protector de hoja y calibre de inglete – Vista desarrollada	42

14.3.2	PM2000B Conjuntos de protector de hoja y calibre de inglete – Lista de piezas	43
14.4.1	PM2000B Conjunto de cubierta de motor – Vista desarrollada	44
14.4.2	PM2000B Conjunto de cubierta de motor – Lista de piezas	44
15.0	Conexiones eléctricas	45
15.1	PM2000B Diagrama de conexiones – 3 HP, 230 V, monofásica	45
15.2	PM2000B Diagrama de conexiones – 5 HP, 230 V, monofásica	46
15.3	PM2000B Diagrama de conexiones – 5 HP, 230 V, trifásica	47
15.4	PM2000B Diagrama de conexiones – 5 HP, 460V, trifásica	48
16.0	Garantía y servicio	49

4.0 Terminología de la sierra de mesa

Árbol: Eje de metal que conecta el mecanismo de impulsión con la hoja.

Corte de borde biselado: Incline el árbol de la sierra y la hoja entre 0° y 45° para efectuar una operación de corte en ángulo.

Protector de hoja: Mecanismo montado sobre la hoja de la sierra para impedir el contacto por accidente con la cuchilla.

Corte transversal: Operación de aserrado en la que se usa el calibre de inglete para cortar a través de las vetas de la pieza.

Hoja para juntas de ranura: Hojas usadas para cortar muescas y rebajos. Se puede usar un conjunto de hojas de juntas de ranura apilado para hacer muescas más anchas.

Corte de junta de ranura: Muesca plana aplastada en la cara de la pieza hecha con una hoja para juntas de ranura.

Tablero de presión: Dispositivo usado para mantener un tablero contra la guía de corte o mesa que permite al operador tener las manos alejadas de la hoja de la sierra.

Mano libre: Mover la pieza hacia la hoja usando ambas manos, sin un dispositivo de posición fijo. (Este procedimiento es inaceptable por peligroso – use **siempre** dispositivos apropiados para alimentar la pieza a través de la hoja de la sierra durante las operaciones de corte).

Ancho de corte: El corte o el hueco producidos por una hoja de sierra.

Retroceso: Suceso por el que la pieza es levantada y arrojada hacia atrás, hacia el operador, cuando la pieza se agarra en la hoja de la sierra o entre la hoja y la guía de corte (u otro objeto fijo). Para minimizar o impedir lesiones debidas a los retrocesos, vea la sección de *Operaciones*.

Calibre de inglete: Componente que controla el movimiento de la pieza mientras realiza un corte transversal a varios ángulos.

Corte no pasante: Operación de aserrado que requiere la retirada del protector de la hoja y del separador estándar, produciendo un corte que no sobresale por la parte de arriba de la pieza (incluye cortes de juntas de ranura y de rebajo).

El protector de hoja y el separador deben volver a instalarse después de efectuar un corte no pasante para evitar el contacto por accidente con la hoja de la sierra durante la operación.

Posición paralela: Posición de la guía de corte a una distancia igual en cada punto de la cara lateral de la sierra de mesa.

Posición perpendicular: Intersección o posición a 90° (ángulo recto) de los planos vertical y horizontal como la posición de la hoja de la sierra (vertical) a la superficie de la mesa (horizontal).

Tablero de empuje/Varilla de empuje: Instrumento usado para empujar de modo seguro la pieza durante la operación de corte manteniendo las manos del operador a distancia.

Rebajo: Operación de corte que produce un canal en forma de L- a lo largo del borde del tablero.

Rasgado: Corte hecho a lo largo de la veta de la pieza.

Separador: Placa de metal fija con relación a la hoja, que se mueve con la hoja a medida que se ajusta la profundidad de corte. Así, no solo se mantiene la abertura del ancho de corte en la pieza, sino también la distancia entre la cuchilla y la hoja. Hay un separador de *bajo perfil* más bajo que el borde superior de la hoja, para hacer un corte no pasante.

Divisor: Placa de metal fija a la que se sujeta el protector de la hoja que mantiene la abertura del ancho de corte en la pieza durante una operación de corte. (En vez de eso, las sierras de mesa Powermatic usan el sistema de separador superior).

Ancho de corte estándar: Hueco de 1/8" hecho con una hoja estándar.

Regla: Herramienta usada para comprobar si una superficie es plana o paralela.

Aserrado pasante: Operación de aserrado en la que el espesor de la pieza se sierra por completo. La altura debida de la hoja normalmente permite que 1/8" de la parte superior de la hoja se extienda por encima de la madera. Mantenga el protector de la hoja bajado, los fiadores antirretroceso bajados y el separador colocado sobre la hoja.

5.0 Especificaciones para PM2000B

Tabla 1

Número de modelo	PM2000B		
Número de existencias – sierra solamente (vea en la Tabla 2 de abajo las configuraciones de los kits)	PM231B	PM251B	PM253B
Motor y sistema eléctrico			
Tipo de motor	Inducción, enfriado por ventilador, totalmente cerrado		
Potencia	3 HP	5 HP	5 HP
Fase del motor	Monofásico		Trifásico
Voltaje del motor	230 V		230/460 V ¹ (precableado a 230 V)
Frecuencia	60 Hz		
FLA (amperios de carga máxima) homologados	14.5 A	21 A	13 / 6.5 A
Velocidad del motor	3450 RPM		
Amperios de arranque	86	126	120
Amperios de funcionamiento (sin carga)	4.9	4.8	6.5
Capacitor de arranque	400 MFD 125 VCA	400 MFD 250 VCA	no disponible
Capacitor de marcha	40 µF 350 VCA	30 µF 500 VCA	no disponible
Transferencia de potencia	Correa trapecial poli		
Interruptor de encendido/apagado	Interruptor magnético con llave de seguridad		
No se suministran ni el cordón	de alimentación ni el enchufe		
Tamaño recomendado del circuito ²	20 A	30 A	20 A
Emisión de sonido sin carga ³	84 db a 100cm; 89 dB a 50cm		
Árbol y hoja			
Diámetro del árbol	5/8 pulg (15.875 mm)		
Velocidad del árbol	4500 RPM		
Traba del árbol	sí		
Llave para árbol	incluido		
Hoja incluida	Puntas de carburo de Ø10 pulg (254 mm), 0.079 pulg (2.0 mm) de espesor, 0.118 pulg (3.0 mm) de ancho de corte, 40T, AB		
Profundidad máxima del corte a 90 grados	3-1/8 pulg (80 mm)		
Profundidad máxima del corte a 45 grados	2-1/8 pulg (54 mm)		
Rasgado máximo a la derecha de la hoja	30 pulg (762 mm) o 50 pulg (1270 mm)		
Rasgado máximo a la izquierda de la hoja	13-1/2 pulg (343 mm)		
Ancho máximo de la junta de ranura	13/16 pulg (21 mm)		
Diámetro máximo de la junta de ranura	8 pulg (203 mm)		
Inclinación de la hoja	Izquierda, 0° a 45°		
Mesa			
Dimensiones de la mesa principal, L x A	30-1/2 x 22 pulg (775 x 559 mm)		
Dimensiones de la mesa con extensiones, L x A	30-1/2 x 42 pulg (775 x 1067 mm)		
Área de la mesa delante de la hoja a la máxima altura	11-1/4 pulg (286 mm)		
Superficie de la mesa desde el piso, ruedecillas orientables desconectadas	35 pulg (889 mm)		
Ranura en T de inglete, A x P	2 ranuras; 3/4 x 3/8 pulg (19 x 10 mm)		
Bisel de borde	Delantero y trasero		
Colector de polvo			
Diámetro exterior del orificio de polvo	4 pulg (101.6 mm)		
Volumen de extracción mínimo recomendado	400 pie ³ /min (0.5 m ³ /min)		

Materiales principales			
Mesa principal	hierro de fundición		
Inserto de la mesa	aluminio		
Alas de extensión	hierro de fundición		
Gabinete	acero		
Base	acero		
Muñón central	hierro de fundición		
Brazo de apoyo	hierro de fundición		
Poleas	acero		
Dimensiones generales			
Superficie de la base	23 x 28 pulg (584 x 711 mm)		
Montada, con alas de extensión solamente, L x A x H	42-5/8 x 32-3/4 x 40-3/8 pulg (1083 x 832 x 1026 mm)		
Montada, con conjunto de largueros de 30 pulg, L x A x H	66-3/4 x 39-1/8 x 40-3/8 pulg (1694 x 993 x 1026 mm)		
Montada, con conjunto de largueros de 50 pulg, L x A x H	84-3/4 x 39-1/8 x 40-3/8 pulg (2151 x 993 x 1026 mm)		
Elevación de las ruedecillas orientables (aproximada)	3/4 pulg (19 mm)		
Dimensiones de envío, sierra solamente, L x A x H	29-7/8 x 32-3/33 x 43-1/2 pulg (760 x 840 x 1105 mm)		
Pesos			
Sierra solamente – peso neto	385 lb (175 kg)	405 lb (184 kg)	398 lb (181 kg)
Sierra solamente – peso de envío	535 lb (243 kg)	555 lb (252 kg)	548 lb (249 kg)

¹ Nota: Para la operación de 460 V, se debe comprar un relé de sobrecarga (No. de pieza PM2000B-2107BORA) por separado e instalarse. Se recomienda un electricista capacitado.

² Sujeto a los códigos eléctricos locales/nacionales.

³ Los valores especificados son niveles de emisión y no se consideran necesariamente como niveles de operación seguros. A medida que varían las condiciones del lugar de trabajo, esta información tiene como fin permitir al usuario estimar mejor los peligros y riesgos que conlleva solamente.

L = longitud, A = ancho, H = altura, P = profundidad

n/a = no disponible

5.1 Configuraciones de los kits

	Números de existencias		
	PM231B	PM251B	PM253B
Sierra solamente			
Sierra con conjunto de largueros de 30 pulg, mesa de extensión de madera	PM23130K	PM25130K	PM25330K
Sierra con conjunto de largueros de 50 pulg, mesa de extensión de madera	PM23150K	PM25150K	PM25350K
Sierra con conjunto de largueros de 50 pulg y elevador de rebajadora	PM23150RK	PM25150RK	PM25350RK
Sierra con conjunto de largueros de 50 pulg y banco	PM23150WK	PM25150WK	PM25350WK

Tabla 2

Las especificaciones en este manual eran las actuales en el momento de la publicación, pero debido a nuestras normas de mejora continua, Powermatic se reserva el derecho de cambiar las especificaciones en cualquier momento sin previo aviso y sin incurrir en obligaciones.



ADVERTENCIA Lea y entienda todo el contenido de este manual antes de tratar de configurar u operar. De no cumplir con esto se pueden producir lesiones graves.

6.0 Configuración y armado

6.1 Contenido de envío

Vea la Figura 6-1.

Retire todas las cajas de accesorios de la paleta de envío. Saque los artículos del gabinete. No deseche ningún material de embalaje hasta que se arme la sierra y funcione de forma satisfactoria.

Compare el contenido de su recipiente con la lista de piezas de abajo para asegurarse de que todas las piezas estén intactas. Se debe informar al distribuidor de inmediato en caso de que falte cualquier pieza. (Compruebe la sierra primero en caso de que haya piezas que se hayan instalado antes).

- 1 Sierra de gabinete con interruptor – A
- 2 Alas de extensión de hierro de fundición – B
- 1 Conjunto de calibre de inglete – C
- 1 Cubierta de motor con pasadores articulados–D
- 1 Varilla de empuje – E
- 1 Llave para árbol – F
- 1 Manija de elevación de ruedecillas orientables–G
- 2 Manijas – H
- 1 Volante – J
- 1 Perilla de traba del volante – K
- 1 Protector de hoja – L
- 1 Separador de bajo perfil – M
- 1 Separador – N
- 1 Conjunto de fiadores antirretroceso – O
- 1 Inserto de mesa (preinstalado) – P
- 1 Hoja (preinstalada)
- 1 Tarjeta de registro del producto
- 1 Manual de instrucciones de operación y piezas
- 1 Paquete de tornillería

6.1.2 Paquete de tornillería PM2000B-HP

Vea la Figura 6-2.

- 6 Tornillos de cabeza hexagonal M10x35–(HP1)
- 6 Arandelas de traba M10 (HP2)
- 6 Arandelas planas M10 (HP3)

NOTA: Los conjuntos de guía y largueros con sujetadores, y mesas de extensión y patas de madera con sujetadores, se envían en cajas separadas.

6.2 Herramientas requeridas para el armado

- Llave hexagonal de 2.5mm
- Llaves de boca fija: 14 mm, 17 mm
- Regla
- Maza de goma (o martillo con bloque de madera)

Nota: El empleo de una llave de trinquete con cubos acelerará el tiempo de armado. Tal vez sea necesario usar herramientas adicionales para el montaje de la guía y los largueros.

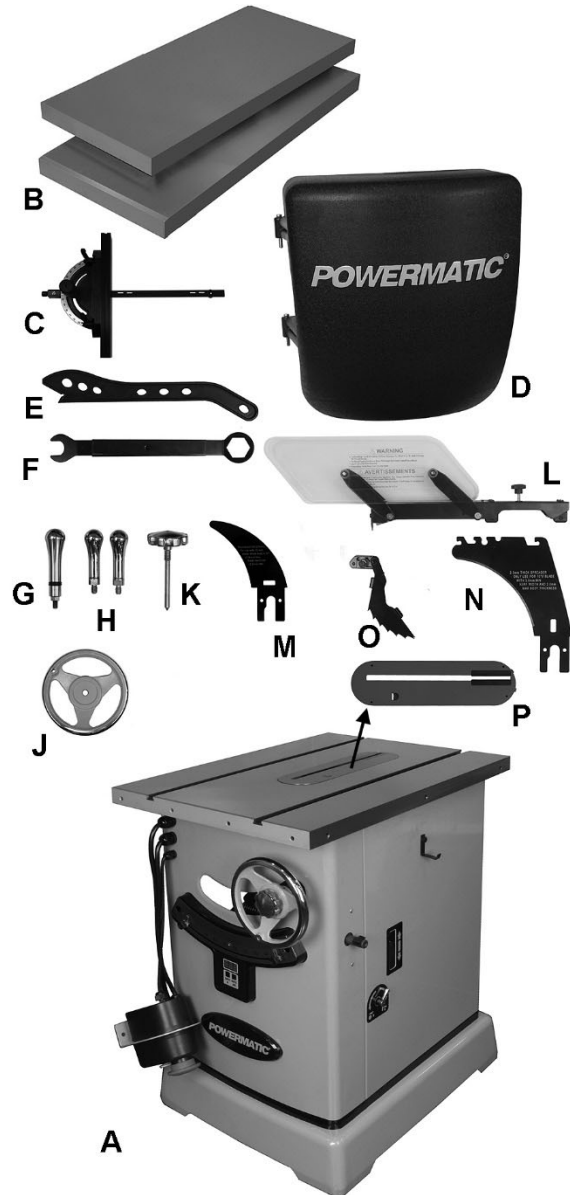


Figura 6-1 (artículos no a escala)

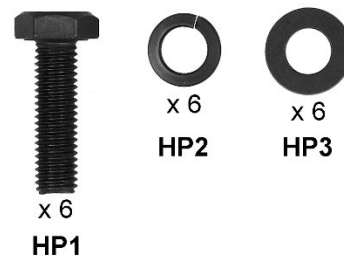


Figura 6-2 paquete de tornillería (PM2000B-HP)



ADVERTENCIA La sierra debe desconectarse de la fuente de alimentación durante el armado. De no cumplir con esto se pueden producir lesiones graves.

6.3 Desembalaje y limpieza

1. Use un dispositivo para levantar la sierra de la paleta; o quite los tableros clavados que sujetan el gabinete de la sierra a la paleta y deslice la sierra de la paleta sobre el piso. (Tenga cuidado de no dañar el sistema de ruedecillas orientables mientras la desliza sacándola de la paleta).
2. La sierra del gabinete debe colocarse en un área con un piso horizontal robusto, buena ventilación y suficiente iluminación. Deje espacio suficiente alrededor de la máquina para montar mesas de extensión y conjuntos de largueros, y cargar y descargar madera y hacer un trabajo de mantenimiento general.
3. Las superficies de metal expuestas, como superficies superiores de mesas y alas de extensión, disponen de una capa protectora de fábrica. Esta debe quitarse con un paño suave humedecido en queroseno o limpiador desengrasante. No use acetona, gasolina o diluyente de laca para este fin. No use disolventes en piezas de plástico, y evite usar un estropajo abrasivo, ya que se pueden arañar las superficies.

6.4 Instalación de las alas de extensión

Vea la Figura 6-3.

1. Los bordes de contacto de la mesa y las alas deben estar limpios y sin rebabas.
2. Sujete un ala de extensión (B) a la mesa de la sierra. (Las alas de extensión son idénticas). Use tres tornillos, arandelas de traba y arandelas planas (HP-1/2/3). Apriete ligeramente los tornillos con una llave o un cubo de 17 mm. *No apriete por completo todavía.*

Consejo de montaje: Si está haciendo esto sin un ayudante, levante el ala de extensión perpendicular al borde de la mesa. Instale el tornillo central y las arandelas, y apriete. Después pivote el ala paralela a la mesa de la sierra para insertar los dos tornillos restantes.

3. Repita para el ala de extensión opuesta. Apriete los tornillos ligeramente. *No apriete por completo todavía.*
4. El borde delantero de las alas de extensión debe estar al ras con el borde delantero de la mesa de la sierra. Si es necesario, golpee ligeramente el borde delantero del ala con una maza de goma para poner al ras. Vea la Figura 6-4.

6.4 Nivelación de las alas de extensión

Nivele las alas de extensión con la mesa de la sierra haciendo uso de una regla. Es ideal usar una regla de metal, aunque también se puede usar un tablero unido con cuidado.

A continuación, se describen dos métodos: uno, usando una maza de goma y el otro con prensas los bordes de la mesa.

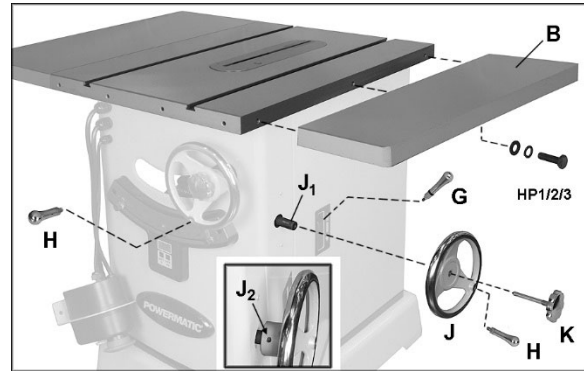


Figura 6-3: instalación de accesorios

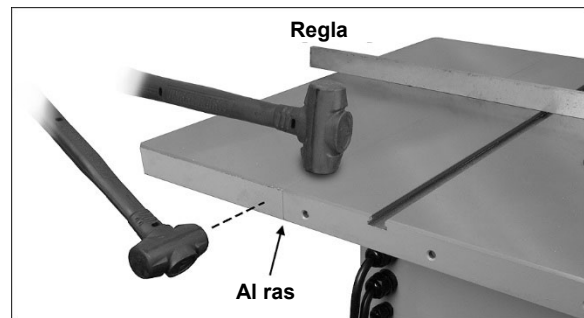


Figura 6-4: nivelación de las alas de extensión, método 1

Método 1 (Figura 6-4):

1. Desplace el ala de extensión de modo que esté ligeramente por encima de la superficie de la sierra.
2. Empiece apretando los tres tornillos de debajo del ala de extensión que la sujeta a la mesa de la sierra. Apriete estos lo suficiente para mantener el ala en posición, pero suficientemente aflojada para cambiar la altura del ala golpeándola. (Golpee con una maza de goma o un martillo sobre un bloque plano de madera. No use nunca un martillo de acero directamente contra las mesas).
3. Ponga la regla a través de la mesa de sierra y del ala de extensión, extendiéndola pasado el borde del ala según se muestra en la Figura 6-4.
4. Mueva la regla a varios lugares a lo largo del ala, a medida que sigue poniendo al ras el ala con la mesa de sierra. Pase también la punta de los dedos sobre la costura para asegurarse de que la transición se sienta suave. A medida que se pone cada área al ras con la mesa, apriete el tornillo de debajo de esa área. Siga

hasta que los tres tornillos estén completamente apretados. **NOTA:** Asegúrese de que el borde delantero del ala esté al ras con el borde delantero de la mesa de sierra.

5. Repita los pasos de arriba para el ala de extensión opuesta.

Método 2 (Figura 6-5):

1. Siga los pasos 1 a 3 del Método 1.
2. Coloque las prensas sobre la costura, una delante y otra detrás de la mesa. Use una placa o bloque plano debajo de la mordaza de la prensa para no dañar la superficie de la mesa. Vea la Figura 6-5.
3. Apriete ambas prensas para alinear los bordes delantero y trasero de las mesas. Asegúrese de que el borde delantero del ala esté al ras con el borde delantero de la mesa de sierra.
4. Apriete los tornillos gradualmente, y coloque la regla en varios lugares a través de la costura, comprobando especialmente el centro. Haga ajustes adicionales según sea necesario.
5. Apriete completamente los tornillos.



Figura 6-5: nivelación de las alas de extensión, método 2

6.5 Volante, perillas, palancas

Vea la Figura 6-3.

1. Quite la cinta adhesiva de alrededor del eje para exponer las roscas y la chaveta del eje (J₁, Figura 6-3).
2. Asegúrese de que el tornillo de presión del volante (J₂) esté aflojado lo suficiente para impedir interferencias.
3. Asegúrese de que la chaveta esté en la ranura. Deslice el volante en el eje, alineando el chavetero con la chaveta.
4. Empuje el volante por el eje tan lejos como sea posible y después apriete el tornillo de presión (J₂).
5. Instale la perilla de traba (K, Figura 6-3) y las manijas (H). Use la llave en la superficie plana de las manijas para apretarlas contra los volantes.

6.6 Largueros y guía

Una vez debidamente montadas las alas de extensión, los largueros y el conjunto Accu-Fence® pueden montarse ahora en la sierra. Consulte el manual no. M-2195079B que acompaña a la guía, y después pase a la sección 6.7 abajo.

6.6.1 Soporte del interruptor

Vea la Figura 6-6.

El soporte del interruptor se instala al mismo tiempo que el tubo de guía. Use dos tornillos con arandelas proporcionados con los largueros.

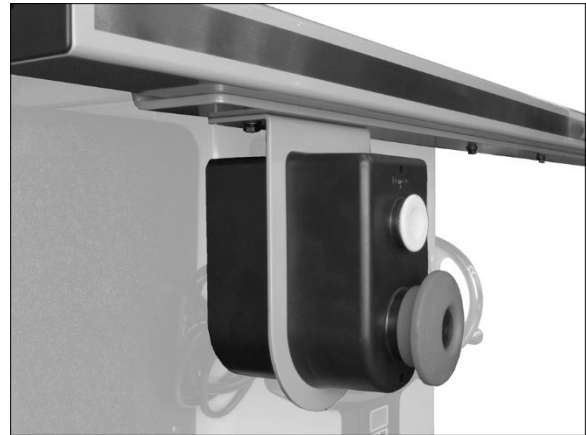


Figura 6-6: instalación del interruptor

6.6.2 Mesa de extensión de madera

Para obtener instrucciones sobre el montaje de la mesa de extensión de madera, consulte el manual de Accu-Fence, no. M-2195079B.

6.7 Cubierta del motor

Vea la Figura 6-7.

Deslice los pasadores de la cubierta del motor en los cilindros de articulación de la sierra. Cierre la cubierta del motor hasta que se enganche en el montante de la sierra.

Nota: Es posible que sea necesario ajustar el mecanismo de enganche para asegurar un cierre apropiado. Afloje el tornillo y colóquelo según sea necesario. Vuelva a apretar el tornillo



Figura 6-7: instalación de la cubierta del motor

6.8 Inserto de la mesa

Vea la Figura 6-8.

Coloque el inserto en la abertura de la mesa. Verifique que el inserto esté al ras con la superficie de la mesa colocando una regla a través de ella en varios puntos. Si el inserto no está al ras a lo largo, gire cualquiera de los 4 tornillos de presión para subir o bajar esa área del inserto.

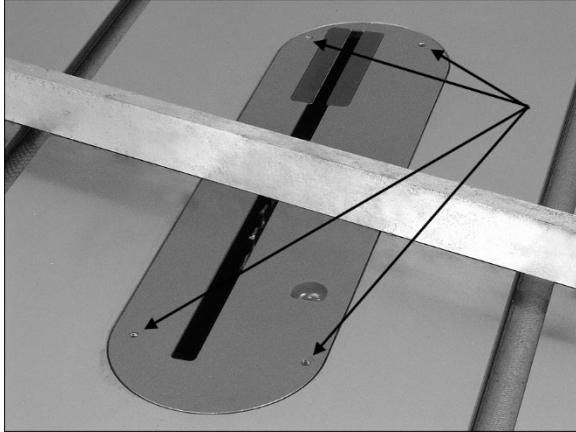


Figura 6-8: nivelación del inserto de la mesa

6.9 Instalación y retirada de la hoja

PRECAUCIÓN Tenga cuidado al trabajar con hojas de sierra o en sus proximidades a fin de impedir lesiones.

Vea la Figura 6-9.

1. Desconecte la máquina de la fuente de alimentación.
2. Quite el inserto de la mesa
3. Suba el árbol de la hoja a la posición más elevada y fije la inclinación de la hoja en 0°.
4. Instale la hoja en el árbol, asegurándose de que las puntas de los dientes estén dirigidos hacia abajo, hacia la parte delantera de la sierra.
5. Instale la brida y la tuerca según se muestra.
6. Ejercer presión hacia abajo y sujete la palanca (R, Figura 6-9), y gire la hoja hasta que se conecte la traba del árbol. Apriete la tuerca hacia la derecha con la llave para árbol proporcionada. No apriete la tuerca excesivamente.

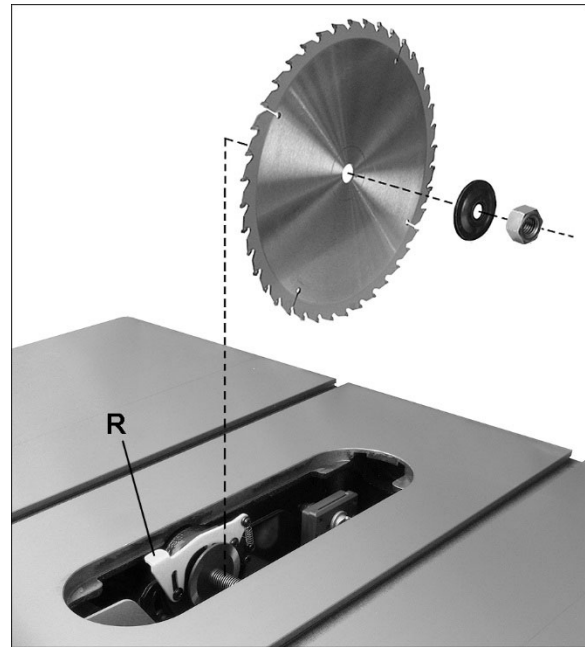


Figura 6-9: instalación de la hoja

7. Para quitar la hoja, conecte la traba del árbol y quite la tuerca con una llave.

6.10 Instalación de conjunto de protector/cuchilla

Vea la Figura 6-10.

6.10.1 Separador

1. Quite el inserto de la mesa
2. Suba el árbol de la hoja a la posición más elevada y fije la inclinación de la hoja a 0°.
3. Tire de la palanca de fijación (S₁, Figura 6-9) hacia arriba. La placa de sujeción (S₂) está cargada por resorte y se alejará de la base fija, dejando un hueco.

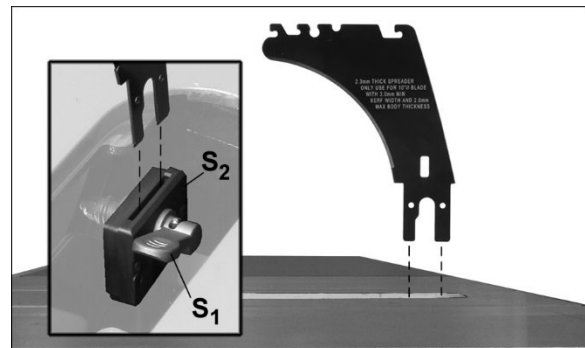


Figura 6-10: instalación del conjunto de protector

4. Deslice las patillas del separador (N) en la ranura de la base de sujeción y empuje el separador hacia abajo tanto como sea posible.
5. Empuje la palanca de sujeción (S₁) hacia abajo a la posición cerrada.

6. El separador debe ser paralelo a la hoja de la sierra. Vea la sección 8.7 para inspecciones y ajustes.

NOTA: También se proporciona un separador de bajo perfil para hacer cortes no pasantes en la sierra de mesa.

6.10.2 Fiadores antirretroceso

Vea la Figura 6-11 y 6-12.

1. Instale la placa del inserto en la mesa.
2. Oprima sin soltar el botón (O1) en el lado opuesto de la cabeza para liberar el pasador de retención. Monte el conjunto de fiadores hacia abajo, en la ubicación que se muestra en la Figura 6-11.
3. Gire la cabeza y empújela hacia abajo (Figura 6-12) hasta que escuche un clic audible. *Asegúrese de escuchar el clic para verificar que el ensamblaje de fiadores sea seguro.*

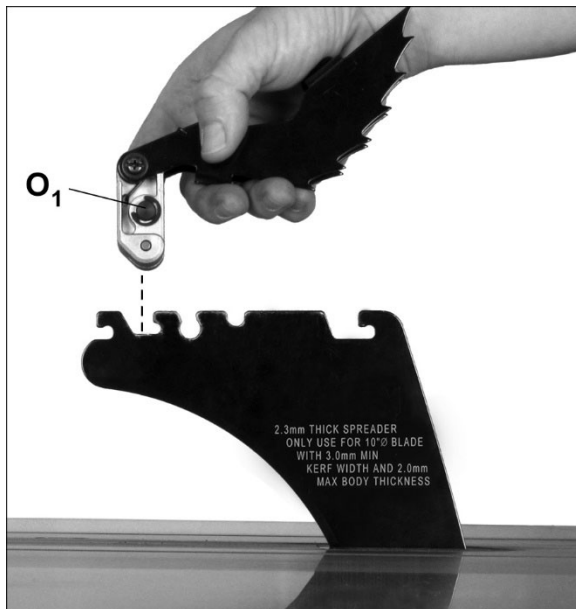


Figura 6-11

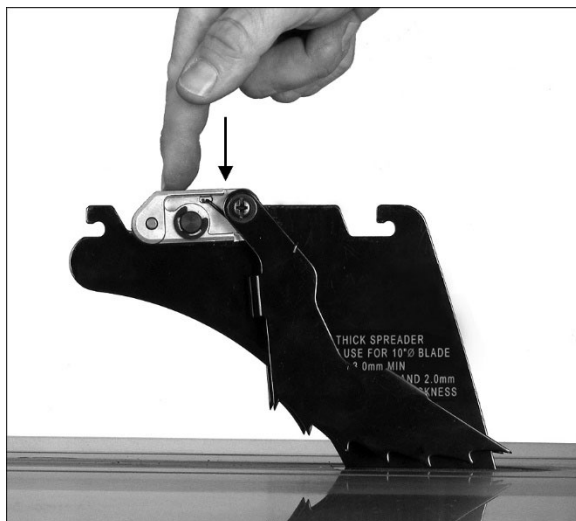


Figura 6-12

6.10.3 Protector de hoja

Vea la Figura 6-13.

1. Empuje hacia arriba las hojas de protección (E, Figura 6-12) hasta que atrapen y sujeten la clavija (F).
2. Baje el conjunto del protector de hoja sobre la cuchilla separadora y empújela hacia atrás para asentarla.
3. Apriete la perilla (G).
4. Tire hacia abajo de las hojas de protección (E) y permita que caigan sobre la mesa.
5. Invierta el procedimiento para quitar la protección.

IMPORTANTE: La perilla (G) debe estar apretada antes de operar la sierra con el protector en su lugar.

ADVERTENCIA Los conjuntos de protector, separador y fiadores deben instalarse firmemente, y las hojas deben estar en contacto con la mesa, antes de iniciar cualquier operación de corte pasante.

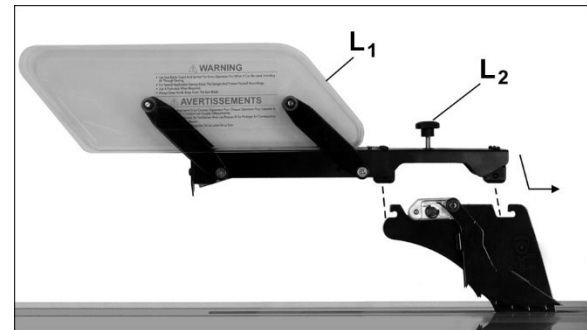


Figura 6-13

El fabricante ajusta la base de sujeción del separador y no debe ser necesario hacer ningún ajuste adicional del conjunto de protector de hoja y separador. No obstante, **el alineamiento debido es muy importante**. Antes de operar la sierra de mesa, lea la sección 8.7 *Alineación del separador*, para verificar y seguir el procedimiento de ajuste si es necesario.

6.11 Orificio para el polvo

Se recomienda encarecidamente el uso de un sistema colector de polvo (no se incluye) durante la operación de la sierra de mesa. Mantendrá el taller limpio, así como impedirá los problemas de salud potenciales debido a la inhalación de polvo.

Asegúrese de que la manguera esté empujada dentro del orificio externo para el polvo (Figura 6-11). Conecte la manguera de su sistema colector de polvo al orificio para el polvo de 4 pulg en la base de la sierra, y fije con una abrazadera de manguera de alambre (no se incluye).



Figura 6-11

7.0 Conexiones eléctricas

ADVERTENCIA Las conexiones eléctricas deben ser efectuadas por un electricista capacitado en cumplimiento con todos los códigos relevantes. La máquina debe estar debidamente puesta a tierra para impedir descargas eléctricas y posibles lesiones mortales.

No se incluye un enchufe con la PM2000B. Usted puede conectar el enchufe apropiado homologado por UL/CSA o “cablear” la máquina directamente a su panel eléctrico siempre que haya un interruptor de desconexión cerca de la máquina para el operador. Consulte los dibujos eléctricos en la *sección 15.0* para aclarar mejor la configuración de las conexiones.

Antes de conectar a la fuente de alimentación, asegúrese que el interruptor esté en la posición de *apagado*.

Se recomienda conectar las sierras de mesa monofásicas de 3 HP y trifásicas de 5 HP a un circuito especial de **20 A** con disyuntor o fusible.

La sierra monofásica de 5 HP debe conectarse a un circuito de **30 A** con disyuntor o fusible.

Si está conectado a un circuito protegido por fusibles, use un fusible de retardo marcado con una “D”. **Los códigos locales tienen prioridad con respecto a las recomendaciones.**

7.1 INSTRUCCIONES DE PUESTA A TIERRA

Esta máquina debe estar puesta a tierra. En caso de funcionamiento erróneo o rotura, la puesta a tierra proporciona una ruta de resistencia mínima para la corriente eléctrica a fin de reducir el riesgo de una descarga eléctrica. Esta herramienta está equipada con un cordón eléctrico con un conductor de puesta a tierra del equipo. No se incluye un enchufe. Se puede instalar un enchufe apropiado homologado por UL/CSA o se puede “cablear” la máquina a un panel de circuitos. Si está cableado,

asegúrese de que haya una desconexión a disposición del operador.

La conexión indebida del conductor de puesta a tierra del equipo puede provocar un riesgo de descarga eléctrica. El conductor con aislamiento que tenga una superficie exterior verde con o sin franjas amarillas es el conductor de tierra del equipo. Si es necesario reparar o reemplazar el cordón eléctrico o el enchufe, no conecte el conductor de puesta a tierra del equipo a un terminal con corriente.

ADVERTENCIA Compruebe con un electricista o un técnico de servicio capacitados si no entienden completamente las instrucciones de puesta a tierra, o en caso de duda si la herramienta está debidamente puesta a tierra. De no cumplir con esto se pueden causar lesiones graves o mortales.

Repáre o reemplace de inmediato el cordón dañado o desgastado.

7.2 Conversión de voltaje (modelo trifásico solamente)

1. Quite la cubierta del transformador de la parte trasera de la máquina, y mueva el fusible de la posición de 230 V a 460 V en el transformador.
2. Cambie los cables de alimentación de entrada al motor para la operación a 460 voltios, según el diagrama de conexiones de la parte interior de la cubierta de la caja de empalmes del motor. Hay un diagrama similar en la *sección 15.0* de este manual (*En caso de discrepancia, el diagrama de la caja de empalmes tiene prioridad*).
3. Reemplace el relé de sobrecarga de 230 V por un relé de sobrecarga de 460 V (compra adicional, número de pieza PM2000B-2107BORA).
4. Si usa un enchufe, el enchufe de 230 V debe reemplazarse por un enchufe homologado por UL/CSA para 460 V.

7.3 Cordones de alargamiento

USE UN CORDÓN DE ALARGAMIENTO DEBIDO. Asegúrese de que el cordón de alargamiento esté en buenas condiciones. Al usar un cordón de alargamiento, asegúrese de utilizar uno suficientemente grueso para transportar la corriente requerida por su producto. Un cordón de tamaño insuficiente causará una caída de voltaje, lo que producirá una pérdida de corriente y un recalentamiento. La Tabla 3 muestra el tamaño correcto dependiendo de la longitud del cordón y de los amperios nominales de la placa de identificación. En caso de duda, use el siguiente calibre más grueso. Cuanto más pequeño sea el número de calibre, más grueso será el cordón.

Amp nom		Voltios	Largo total del cordón (pies)			
Mayor que	No mayor que		50	100	200	300
		240	Calibre AWG			
0	6		18	16	16	14
6	10		18	16	14	12
10	12		16	16	14	12
12	16		14	12	No se recomienda	

Tabla 3: recomendaciones del cordón de alargamiento

7.4 Interruptor magnético con llave de seguridad

Consulte la Figura 7-2:

Luz indicadora de corriente – El interruptor de arranque tiene una luz indicadora de corriente que está encendida **siempre que haya corriente conectada** a la sierra, no solo cuando la sierra esté en marcha. **No suponga que si no hay luz no hay corriente en la máquina.** Si la bombilla es defectuosa, no habrá ninguna indicación. Compruebe siempre antes de usar.

ADVERTENCIA No suponga que la carencia de luz significa que no hay corriente en la máquina. Compruebe siempre primero si hay corriente. De no cumplir con esto se pueden producir lesiones graves.

Arranque – Oprima el interruptor de arranque de color verde.

Cuando haya corriente conectada a la máquina, la luz verde estará siempre encendida tanto si la sierra funciona como si no lo hace.

Parada – Oprima el interruptor rojo para parar.

Reajuste – Si la sierra se para sin oprimir el botón de parada, como consecuencia de un fusible o un disyuntor disparados:

1. Oprima el botón rojo para reajustar.
2. Oprima el botón verde para volver a arrancar la máquina.

7.4.1 Llave de seguridad

El interruptor viene equipado con una llave de seguridad magnética. Cuando esté en el interruptor según se muestra en la Figura 7-2, la llave de seguridad magnética dispara un relé que permite que la máquina arranque y se pare cuando se oprimen los interruptores respectivos. Al ser magnética, la llave puede sacarse de la máquina para que no se pueda operar y puede ocultarse en un lugar seguro adhiriéndola debajo del larguero u otra superficie magnética.

Al usar la sierra, coloque la llave en la cubierta del interruptor, alineando la flecha de la llave con la flecha REMOVE (Quitar) en la cubierta. Gire después la llave de modo que la flecha se alinee con la flecha LOCK (Trabar). Esto impide que la llave de seguridad vibre y se afloje cuando la máquina esté funcionando.

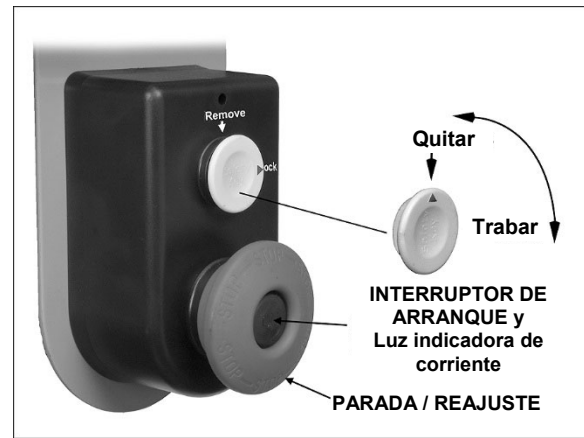


Figura 7-2

8.0 Ajustes

8.1 Herramientas requeridas para los ajustes

Llaves hexagonales: 2.5 mm, 3 mm, 4 mm
Llaves: 13 mm, 19 mm, 22 mm (o ajustable)
Regla
Escuadra

8.2 Alineamiento de la guía

Antes de usar el Accu-Fence®, verifique que esté debidamente alineado con la hoja. Consulte el manual no. M-2195079B incluido con la guía.

8.3 Subida e inclinación de la hoja

Vea la Figura 8-1.

Para subir o bajar la hoja, afloje la perilla de traba (A, Figura 8-1) y gire el volante (B) delante de la sierra hasta que se logre la altura deseada. Apriete la perilla de traba (A). La hoja debe subirse aproximadamente 1/8" por encima de la superficie superior del material que se está cortando.

Para inclinar la hoja, afloje la perilla de traba (C) y gire el volante (D) hasta que se obtenga el ángulo deseado, según se muestra en la escala de inclinación o DRO (lectura digital). Vuelva a apretar la perilla de traba (C).

La DRO, o lectura digital (E) muestra el ángulo para una colocación rápida. Vea la sección 8.10 para calibrar la DRO.

Los punteros de referencia (F) pueden colocarse en cualquier punto a lo largo de la escala; afloje la perilla y deslice el puntero a la posición, y después apriete la perilla. Estos proporcionan un punto de referencia rápido para alinear el indicador de ángulo.



Figura 8-1: ajustes de la hoja

8.4 Mecanismo de las ruedecillas orientables

Para enganchar el sistema de ruedecillas orientables, suba y baje la manija (G, Figura 8-1) unas 4 o 5 veces.

Desenganche el sistema de ruedecillas orientables girando la manija (H) hacia la izquierda. **Las ruedecillas orientables deben desengancharse antes de hacer funcionar la sierra.**

Nota: Se recomienda bajar la sierra a la posición de reposo después de moverla a la ubicación deseada. Si se deja en posición elevada durante un período prolongado, la sierra se estabilizará gradualmente hasta el suelo, lo cual es normal.

8.5 Calibre de inglete

Consulte las Figuras 8-2 y 8-3.

8.5.1 Ajuste del ángulo de inglete

El calibre de inglete tiene un ajuste de cremallera y piñón para fijar el ángulo. Para operar:

1. Deslice el calibre de inglete en la ranura de la mesa.
2. Afloje la manija de traba (H, Figura 8-2) girándola hacia la izquierda.
3. Tire hacia afuera de la perilla cargada por resorte (J) y gire la perilla hasta que el cuerpo (K) del calibre de inglete esté al ángulo deseado según se indica en la escala.
4. Apriete la manija de traba (H).

8.5.2 Ajustes de indentación

Hay indentaciones en las posiciones derecha e izquierda para 0°, 30° y 45°. En estos ajustes, suelte la perilla (J) para enganchar la indentación. Después de apriete la manija de traba (H).

Nota: No se fíe exclusivamente de las indentaciones para obtener un ajuste preciso. Después de que la varilla de tope se enganche en las posiciones de 0°, 30° y 45°, efectúe un ajuste fino con la perilla (J) si es necesario, ajustándola con el indicador de escala (L).

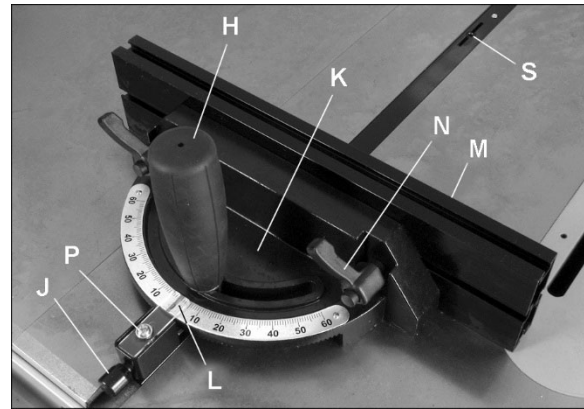


Figura 8-2

8.5.3 Guía del calibre de inglete

La guía del calibre de inglete (M, Figura 8-2) puede ajustarse deslizándola a la derecha o a la izquierda, o retirarse completamente.

Para ajustar, afloje las dos manijas de traba (N), deslice la guía y vuelva a apretar las manijas de traba. **Asegúrese de que el extremo de la guía no esté en la trayectoria de la hoja.**

NOTA: Las manijas de traba (N) son ajustables. Tire de la manija hacia afuera, gírela a una posición diferente, y después suéltela, asegurándose de que se asiente sobre el pasador.

Para quitar la guía del calibre de inglete, deslícela completamente y quite las manijas de traba (N) y la tornillería de montaje.

8.5.4 Calibración del calibre de inglete

1. Coloque el calibre de inglete en la ranura de la mesa.
2. Fije el calibre de inglete a 90° con respecto a la hoja (ajuste de 0° en la escala) aflojando la manija de traba (H, Figura 8-2) y tirando después hacia afuera de la perilla cargada por resorte (J) y girando el cuerpo (K) hasta que se indique 0° en la escala.
3. Mida la precisión del calibre de inglete con respecto a la ranura usando una escuadra.

Si es necesario hacer un ajuste:

4. Ajuste el cuerpo (K) hasta que sea perpendicular (90°) a la ranura de inglete.
5. Apriete la manija de traba (H).
6. Verifique que el indicador de escala (L) indique 0°. Si no es así, afloje el tornillo (P) y ajuste el indicador (L) hasta que indique 0°. Vuelva a apretar el tornillo (P).
7. Si el procedimiento de arriba no alinea satisfactoriamente el calibre de inglete, afloje los dos tornillos (R, Figura 8-3) de debajo del bloque de montaje y desplace el bloque según sea necesario. Vuelva a apretar los tornillos cuando haya acabado.

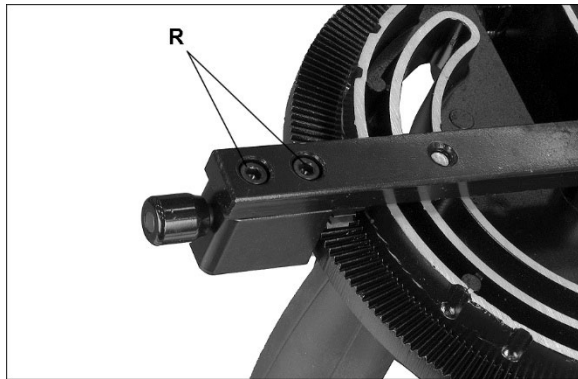


Figura 8-3

NOTA: La barra del calibre de inglete tiene dos ranuras con tornillos de presión (S, Figura 8-2). Ajuste estos tornillos de presión para eliminar cualquier juego entre barra y ranura de inglete.

8.6 Ajuste de tope de inclinación de la hoja

Los topes de inclinación de la hoja de 90°, 45° y los ajustes de elevación se han fijado en fábrica, y no deben requerir ningún ajuste inmediato.

No obstante, el operador debe confirmar los ajustes, en especial si los cortes se hacen imprecisos. Ambos topes de inclinación están en el muñón.

8.6.1 Tope de inclinación de 90°

1. Desconecte la máquina de la fuente de alimentación.
2. Asegúrese de que el inserto de la mesa esté al ras con la superficie de la mesa (*sección 6.8*).
3. Suba la hoja a la posición más alta, y coloque una escuadra sobre la mesa y contra la hoja (Figura 8-4). Asegúrese de que no hay un diente de la hoja que obstruya la lectura real.
4. Inclíne la hoja con el volante hasta que la escuadra y a hoja estén al ras.
5. Si es necesario hacer algún ajuste, afloje la tuerca en el tornillo de tope de 90° (Figura 8-5) con una llave de 13 mm, y gire el tornillo a la altura apropiada. Verifique el ajuste y vuelva a apretar la tuerca contra el muñón.
6. Compruebe la posición del puntero en la escala (Figura 8-5). Si es necesario, afloje el tornillo y ajuste el puntero a cero. Vuelva a apretar el tornillo.

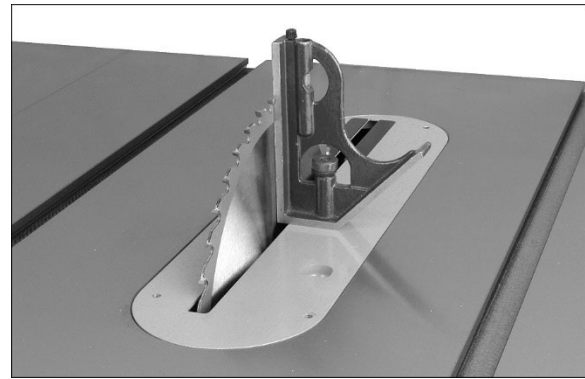


Figura 8-4

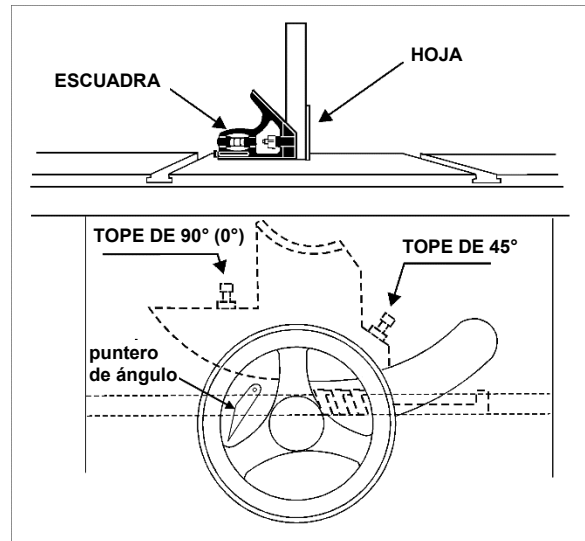


Figura 8-5: topes de la hoja

8.6.2 Tope de inclinación de 45°

Siga el mismo procedimiento que arriba, pero con la hoja inclinada a 45°, según se muestra en la Figura 8-6.

Ajuste el tope de 45° mostrado en la Figura 8-5. Confirme el ajuste, y después reajuste la tuerca.

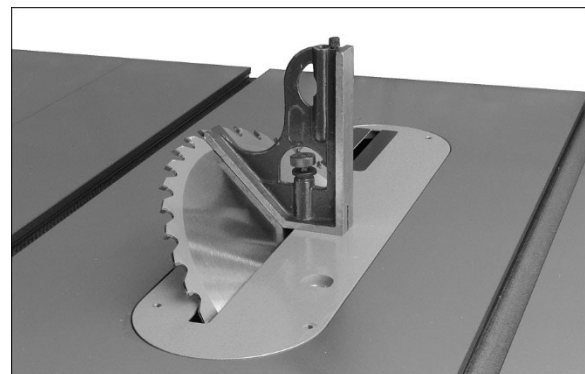


Figura 8-6

8.7 Alineación del separador

8.7.1 Alineación lateral

La hoja de la sierra y el separador deben estar tan estrechamente alineados como sea posible

(alineación lateral) para impedir el retroceso. Esto debe comprobarse durante la instalación inicial del protector de la hoja y del separador. Se debe reafirmar la alineación después de cambiar cada hoja.

Inspeccione la alineación de la forma siguiente:

1. Quite el protector de hoja y el conjunto de fiadores.
2. Coloque una regla sobre la mesa de modo que esté contra la hoja y el separador. Vea la Figura 8-7. Gire la hoja, de modo que la parte superior del diente de la hoja haga contacto con la regla.

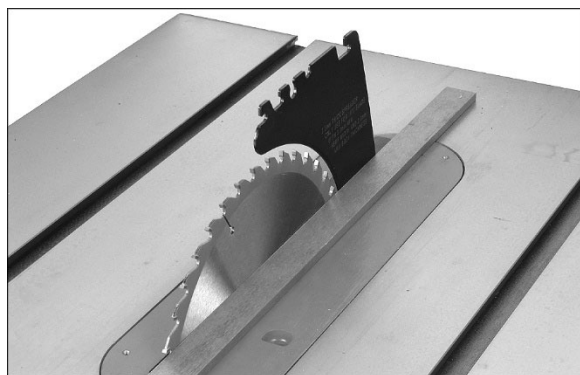


Figura 8-7

La hoja de la sierra y el separador deben estar alineados. Si es necesario hacer un ajuste:

3. Tire hacia arriba de la palanca (A, Figura 8-8) y quite el separador, tomando nota del sentido en que necesita moverse el separador para alinearse con la hoja de la sierra.
4. Use una llave hexagonal de 3 mm para efectuar ajustes en cuatro tornillos de presión (B, Figura 8-8). Ajuste cualquiera de los tornillos presión requeridos para alinear el separador con la hoja de la sierra.
5. Reinserte el separador, fije con un palanca de apriete (A) y compruebe la alineación según el paso 2.
6. Repita los pasos 3–5 hasta que la alineación sea correcta.

8.7.2 Alineación de proximidad de la hoja

El hueco entre la hoja de la sierra y el separador debe estar comprendido entre 3 y 8 mm (0.12 y 0.32 pulg). Vea la Figura 8-9.

Si es necesario hacer un ajuste, observe si el hueco entre la hoja y el separador debe aumentarse o reducirse. Después ajuste de la forma siguiente:

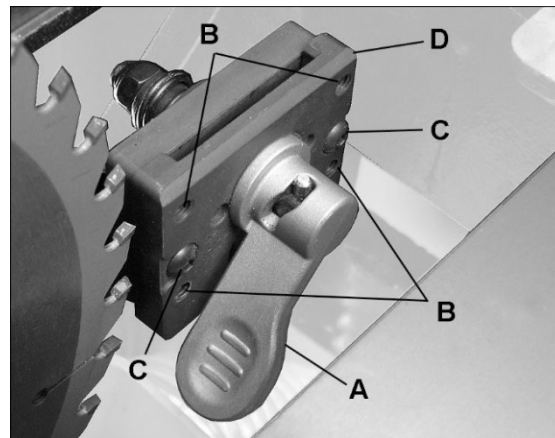


Figura 8-8

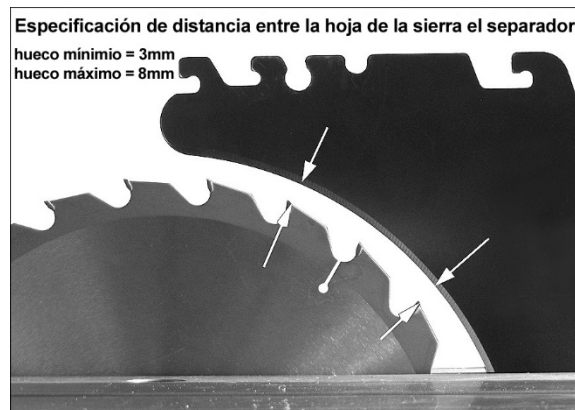


Figura 8-9

7. Quite el protector de hoja, el conjunto de fiadores, el inserto de la mesa y el separador.
8. Use una llave hexagonal de 3 mm para efectuar ajustes en cuatro tornillos de botón (C, Figura 8-8). Esto permitirá que la placa de sujeción (D) se deslice hacia adelante y hacia atrás sobre la base fija.
Deslice la placa de sujeción (D) acercándola o alejándola de la hoja de la sierra según sea necesario. Trate de que los huecos sean lo más parejos posibles.
9. Apriete los tornillos (C).
10. Reinserte el separador; enganche la palanca (A) y compruebe que el hueco entre la hoja de la sierra y el separador esté comprendido entre 3-8 mm (Figura 8-9).

8.8 Alineación de la mesa con la hoja

Vea las Figuras 8-10 y 8-11.

La mesa ha sido alineada con la hoja por el fabricante y no debe ser necesario hacer ningún ajuste ahora. Si los cortes se hacen imprecisos, compruebe la alineación de la mesa la hoja y corrija si es necesario.

1. Desconecte la sierra de la fuente de alimentación.
2. Suba la hoja a la altura máxima.

3. Marque un diente (A, Figura 8-10) con un lápiz de cera y coloque el diente ligeramente por encima del borde superior de la mesa en la parte delantera.
4. Suba ligeramente el calibre de inglete de su ranura para servir como resalto. Use una escuadra deslizante (B) contra el lado de la barra, deslice la escala por encima hasta que haga contacto con la punta de la hoja, y trabaje la escala en posición.

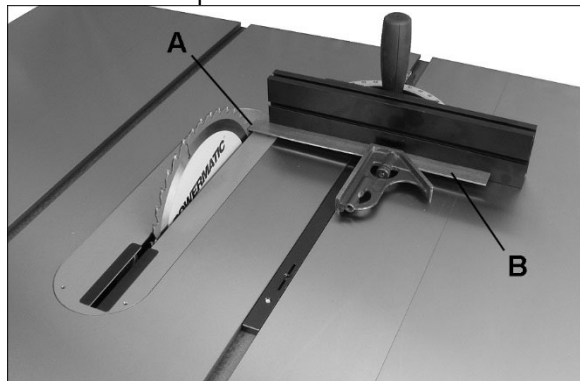


Figura 8-10

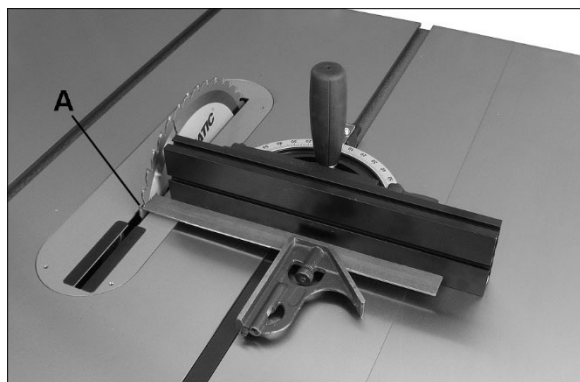


Figura 8-11

5. Gire el diente marcado (A) de modo que esté ligeramente por encima de la superficie superior de la mesa haciendo uso de la escuadra como antes para verificar que la distancia a la hoja es idéntica. Vea la Figura 8-11. Si las dos distancias no son iguales, tome nota con cuidado de la diferencia.
6. Afloje los tornillos de la mesa (*artículo 24, sección 14.1.1*), y mueva un poco la mesa a la distancia observada.
7. Vuelva a apretar firmemente los tornillos.
8. Verifique la alineación, el ajuste del puntero del ángulo, el ajuste de la guía, etc. Efectúe ajustes si es necesario.

8.9 Ajuste de la correa

8.9.1 Tensión de la correa

Vea la Figura 8-12.

Se debe inspeccionar la tensión de la correa de impulsión después de los primeros días de operación, ya que la correa puede estirarse

ligeramente durante el uso inicial; inspecciónela también periódicamente después.

Para apretar la correa:

1. Desconecte la máquina de la fuente de alimentación.
2. Afloje el tornillo (C, Figura 8-12) con una llave de 17 mm.
3. Afloje ligeramente la tuerca (D) con una llave de 1-1/4" (o ajustable).
4. Empuje el motor hacia la derecha y apriete el tornillo (C) para tensar la correa. Vuelva a apretar la tuerca (D). Verifique la tensión apropiada en la correa haciendo fuerza sobre el punto medio entre poleas; la desviación o flecha debe ser de aproximadamente 1/2 pulg.

Si la correa muestra indicios de desgaste, deshilachado, grietas, etc. debe reemplazarse de la forma siguiente.

8.9.2 Reemplazo de la correa

Vea la Figura 8-12.

1. Baje el muñón por completo.
2. Afloje el tornillo (C) con una llave de 17 mm.
3. Afloje ligeramente la tuerca (D) con una llave de 1-1/4" (o ajustable).
4. Pivote el motor hacia la izquierda para aliviar la tensión.
5. Reemplace la correa.
6. Empuje el motor hacia la derecha y apriete el tornillo (C) para tensar la nueva correa. Vuelva a apretar la tuerca (D). Verifique la tensión apropiada en la correa haciendo fuerza sobre el punto medio entre poleas; la desviación o flecha debe ser de aproximadamente 1/2 pulg.

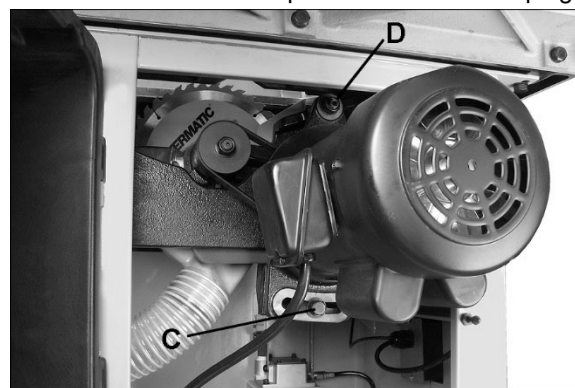


Figura 8-12

8.10 Calibración de la DRO y operación

Cuando se haya verificado que los topes de inclinación de la hoja de 0° y 45° son correctos, la DRO (lectura digital) puede calibrarse para coincidir con los ajustes.

La *sección 8.10.1* describe el procedimiento de calibración general. La *sección 8.10.2* describe los

procedimientos de calibración obligatorios si se reemplaza el sensor de PCB en la sierra de mesa.

8.10.1 Calibración general

1. Los topes de inclinación de la hoja deben fijarse correctamente. Vea la sección 8.6.
2. Conecte la máquina a la fuente de alimentación. Se iluminará la DRO.
3. Si la hoja de la sierra está relativamente cerca de 0°, fije la hoja exactamente en 0° y oprima el botón "SET 0". La lectura mostrará 0.00. Vea la Figura 8-13.

Si la hoja de la sierra está relativamente cerca de 45°, fije la hoja exactamente en 45° y oprima el botón "SET 45". La lectura mostrará 45.0.

4. La calibración está completa.

NOTA: Si se desconecta la corriente, la lectura digital se reajustará a 0.00. Cuando se restablece la corriente, repita el procedimiento de arriba.



Figura 8-13

8.10.2 Calibración del PCB de reemplazo

1. Los topes de inclinación de la hoja deben fijarse correctamente. Vea la sección 8.6.
2. Conecte la máquina a la fuente de alimentación. Se iluminará la DRO.
3. Incline la hoja de la sierra a 0°.
4. Oprima sin soltar ambos botones SET hasta que la pantalla muestre "---" (Figura 8-14).
5. Suelte los botones y la pantalla mostrará "00.0".
6. La calibración a 0° está completa. (Si no se muestra "00.0", desconecte la corriente, reconecte y repita el procedimiento de arriba).
7. Incline la hoja a 45°.
8. Oprima sin soltar ambos botones SET hasta que la pantalla muestre "---" (Figura 8-14).
9. Suelte los botones y la pantalla mostrará "45.0".
10. La calibración a 45° está completa. (Si no se muestra "45.0", desconecte la corriente, reconecte y repita el procedimiento de arriba).



Figura 8-14

9.0 Operaciones

Familiarícese con la posición y operación de todos los controles y ajustes y el uso de accesorios como el calibre de inglete y la guía de corte.

Nota: Las figuras siguientes son de naturaleza general y es posible que no muestren su modelo de sierra particular.

9.1 Prevención de retrocesos

Se pueden producir lesiones graves debidas a retrocesos cuando una pieza de atasca en la hoja de la sierra o entre la hoja y la guía de corte u otro objeto fijo. Este atasco puede hacer que la pieza se levante y sea arrojada hacia el operador.

A continuación, se indican las condiciones que puede causar retrocesos:

- Confinado de la pieza al efectuar cortes transversales o rasgados.
- Al soltar la pieza antes de completar la operación o no empujarla completamente hasta pasada la hoja de la sierra.
- Al no usar un divisor/separador cuando se hace un corte transversal o no se mantiene la alineación del divisor/separador con la hoja de la sierra.
- Empleo de una hoja de sierra desafilada.
- Al no mantener la alineación de la guía de corte, de modo que tienda a inclinarse acercándose en vez de alejándose de la hoja de la sierra de la parte delantera a la trasera.
- Al aplicar una fuerza de alimentación al rasgar hasta la sección de corte (libre) de la pieza en vez de a la sección entre la hoja de la sierra y la guía.
- El rasgado de madera que esté retorcida (no plana), o no tenga un borde recto, o tenga vetas torcidas.

Para minimizar o prevenir lesiones de retrocesos:

- Evite las condiciones indicadas arriba.
- Lleve una máscara de seguridad, anteojos o gafas de seguridad.
- No use el calibre de inglete ni la guía de corte en la misma operación a menos que se hayan hecho preparativos mediante el

empleo de un tablero exterior en la guía, para dejar que la sección de corte de la pieza se suelte antes de que empiece el corte real (Vea la Figura 9-8).

- ❑ A medida que se usa la máquina, se debe comprobar periódicamente la operación de los fiadores antirretroceso (Figura 9-1). Si los fiadores no detienen el movimiento inverso de una pieza, reafile todas las puntas.

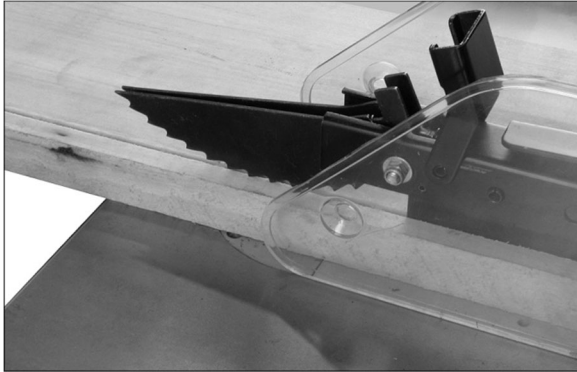


Figura 9-1

- ❑ Siempre que sea posible, mantenga la cara y el cuerpo fuera de la línea de retrocesos potenciales, incluidos arranque o parada de la máquina.
- ❑ Las herramientas de corte desafiladas, mal fijadas, indebidas o indebidamente afiladas, y las herramientas de corte con goma o resina adheridas pueden causar accidentes. No use nunca una hoja de sierra rajada. El uso de una herramienta de corte afilada, bien mantenida y correcta para la operación evitará lesiones.
- ❑ Sostenga la pieza debidamente y sujétela firmemente contra el calibre o la guía. Use una varilla de empuje o bloque de empuje al rasgar madera corta, estrecha (de 6" de ancho o menos), o delgada. Use un retenedor de bloque de empuje o calibre de inglete al hacer juntas de ranuras o molduras.
- ❑ No use nunca la guía como tope de longitud al hacer cortes transversales. No sujete ni toque el extremo libre o sección de corte de una pieza. En operaciones de aserrado pasante, la sección de corte NO debe confinarse.
- ❑ Mantenga siempre las manos fuera de la línea de la hoja de la sierra y no introduzca nunca el brazo hasta la parte trasera de la hoja de corte con ninguna mano para sujetar la pieza.
- ❑ Los rasgados biselados deben hacerse siempre con la guía en el lado derecho de la hoja de la sierra para que la hoja se incline alejándose de la guía y minimice la posibilidad de que la pieza se atasque y se produzca un retroceso.

9.2 Aserrado de rasgado

Rasgar es alimentar la pieza con la veta en la hoja de la sierra usando la guía u otro dispositivo de colocación como guía para asegurar el ancho de corte deseado (Figura 9-2).

ADVERTENCIA Antes de iniciar un corte de rasgado, verifique que la guía esté fijamente sujeta y debidamente alineada.

- ❑ No rasgue nunca a mano libre el calibre de inglete en combinación con la guía.
- ❑ No rasgue nunca piezas más cortas que el diámetro de la hoja de la sierra.
- ❑ No introduzca el brazo por detrás de la hoja con ninguna de las manos para retener o retirar la pieza cortada con la hoja de la sierra en movimiento.



Figura 9-2

Use siempre el protector de hoja, el divisor/separador y los fiadores antirretroceso. Asegúrese de que el divisor/separador esté debidamente alineado. Cuando se corte madera a lo largo de la veta, el ancho de corte tiende a cerrarse y atascarse en la hoja y se pueden producir retrocesos.

Nota: Hay una calcomanía de advertencia pegada al protector para hacer recordar al operador algunos procedimientos de seguridad básicos.

La guía de corte debe fijarse para el ancho de corte usando la escala en el larguero delantero, o midiendo la distancia entre la hoja (A) y la guía (B). Apártese de la línea de la hoja de la sierra y la pieza para evitar que salgan proyectados aserrín y astillas de la hoja o se pueda producir un retroceso.

Si la pieza no tiene un borde recto, clave un tablero auxiliar de borde recto para proporcionar uno contra la guía de corte. Para cortar debidamente, el tablero debe hacer un buen contacto con la mesa. No trate de cortar tableros alabeados.

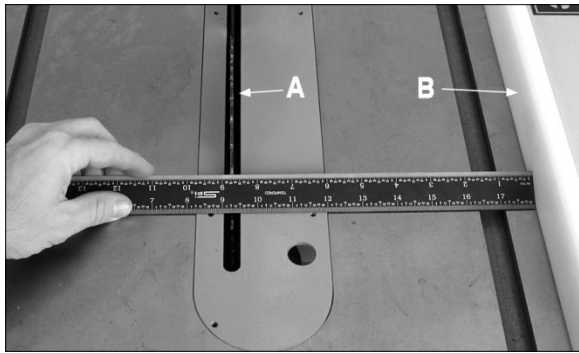


Figura 9-3

Al rasgar, use una mano para sujetar el tablero hacia abajo contra la guía o el dispositivo, y la otra para empujarla hacia la hoja entre la hoja y la guía. Si la pieza es más estrecha que 6" o más corta que 12", use una varilla de empuje o un bloque de empuje para empujarla entre la guía y la hoja (Figura 9-4). No empuje nunca en un lugar de modo que la mano que empuje quede alineada con la hoja. Mueva la mano que sirve para retener una distancia segura desde la hoja a medida que se completa el corte.

Para un rasgado muy estrecho donde no se pueda usar una varilla de empuje, use un bloque de empuje o una guía de corte auxiliar. Empuje siempre la pieza completamente pasada la hoja al final de un corte para minimizar la posibilidad de un retroceso.

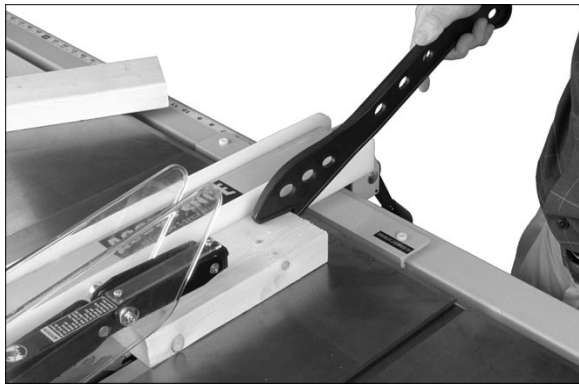


Figura 9-4

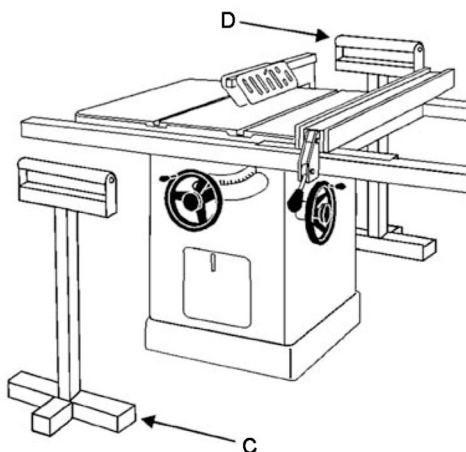


Figura 9-5

Al rasgar tableros largos, use un soporte en la parte delantera de la mesa (C, Figura 9-5), como pedestal rodante, y un soporte de cola en la parte trasera (D).

No use nunca la guía de corte más allá del punto en que el carro esté al ras con el extremo de los largueros.

Despliegue la hoja aproximadamente 1/8" por encima de la parte de arriba de la pieza. Exponer la hoja por encima de este punto puede ser peligroso.

9.3 Reaserrado

El reaserrado es una operación de rasgado en la que se cortan tableros gruesos produciendo otros más delgados. Nota: La herramienta ideal para reaserrar es una sierra de cinta.

ADVERTENCIA Si se usa la sierra de mesa para reaserrar, tenga cuidado al usar una guía auxiliar, reasierre la barrera o dispositivos similares para estabilizar la pieza y dar seguridad al operador.

Los tableros estrechos de hasta 3" pueden volver a serrarse en una pasada. Los tableros más anchos de hasta 6" pueden volver a serrarse en dos pasadas.

Al reaserrar tableros más anchos, ajuste la altura de la hoja para no superponer los dos cortes 1/2" según se muestra en la Figura 9-6. Un corte demasiado profundo puede producir atascos y posibles retrocesos en el segundo corte. Use siempre el mismo lado del tablero contra la guía para ambos cortes.

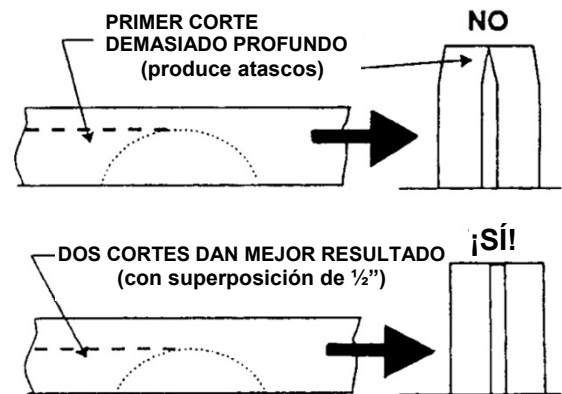


Figura 9-6

9.4 Corte transversal

Un corte transversal es un corte producido cuando se alimenta la pieza a través de la veta en la hoja de la sierra usando el calibre de inglete para sujetar y colocar la pieza (Figura 9-7).

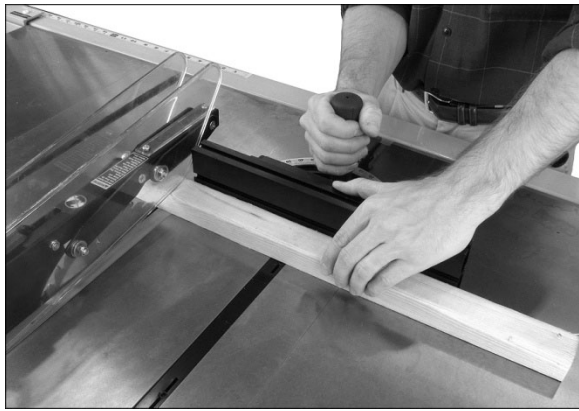


Figura 9-7

El corte transversal no debe hacerse **nunca** a mano libre ni se debe usar la guía como un tope de extremo a menos que se sujete un bloque auxiliar (E, Figura 9-8) a la parte delantera del área de la hoja, de modo que la pieza de corte se suelte del bloque antes de iniciar el corte.

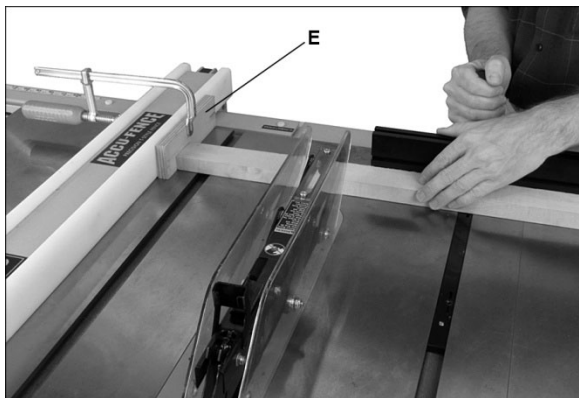


Figura 9-8

No se deben usar toques de longitud en el extremo libre de la pieza, en el área de corte.

No corte transversalmente piezas más cortas que 6". Antes de iniciar un corte, asegúrese de que el calibre de inglete esté debidamente sujeto al ángulo deseado. Sujete firmemente la pieza contra la mesa y contra el calibre de inglete. Use **siempre** el protector de la sierra y el separador y asegúrese de que el separador esté debidamente alineado.

Para hacer cortes transversales de 90 grados, la mayoría de los operadores prefieren usar la ranura del calibre de inglete del lado izquierdo. Al usarla en esta posición, sujete la pieza contra el calibre con la mano izquierda y use la mano derecha para hacer avanzar la pieza. Al usar la ranura derecha para el corte transversal del inglete y compuesto de modo que la hoja se incline *alejándose* del calibre, las posiciones de las manos se invierten.

Al usar el calibre de inglete, la pieza debe estar firmemente sujeta y hacerse avanzar suavemente a una velocidad lenta. Si no se sujeta firmemente la pieza, puede vibrar haciendo que se atasque en la hoja y desafilé los dientes de la sierra.

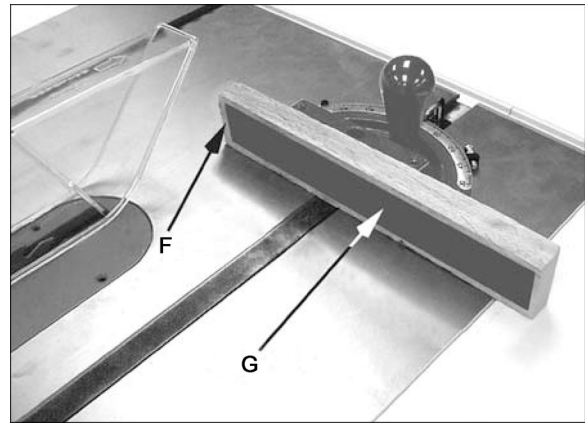


Figura 9-9

Para aumentar la efectividad del calibre de inglete en el corte transversal, algunos usuarios montan una cara de extensión de madera auxiliar (F, Figura 9-9) con una tira pegada de papel de lija (G) para ayudar a sujetar la pieza.

Proporcione un soporte auxiliar para cualquier pieza que se extienda más allá de la superficie de arriba de la mesa con una tendencia a combarse y levántela de la mesa.

Despliegue la hoja aproximadamente 1/8" por encima de la parte de arriba de la pieza. Exponer la hoja por encima de este punto puede ser peligroso.

9.5 Operaciones de biselado e inglete

Corte biselado – Un corte biselado es un tipo especial de operación donde la hoja de la sierra se inclina a un ángulo menor que 90 grados con respecto a la parte superior de la mesa (Figura 9-10). Las operaciones se realizan de la misma manera que el rasgado y corte transversal, excepto que la guía o calibre de inglete deben usarse en el lado derecho de la hoja para dar seguridad adicional y evitar un atasco entre la hoja y la superficie superior de la mesa. Al biselar con el calibre de inglete, la pieza debe sujetarse firmemente para evitar el movimiento lento.

PRECAUCIÓN No use nunca un inserto de holgura cero con la sierra de la hoja en posición inclinada.



Figura 9-10

Cortes en inglete – Los cortes transversales hechos en ángulo con respecto al borde de la pieza se llaman ingletes (Figura 9-11). Fije el calibre de inglete al ángulo requerido, y efectúe el corte igual que si fuera un corte transversal normal excepto que la pieza debe sujetarse firmemente para impedir un movimiento lento.



Figura 9-11

Nota: Al efectuar ingletes compuestos (con la hoja inclinada), use el calibre de inglete en la ranura **derecha** para dar mayor holgura para la mano y seguridad.

Despliegue la hoja solamente 1/8" por encima de la parte de arriba de la pieza. Exponer la hoja por encima de este punto puede ser peligroso.

9.6 Corte de juntas de ranura

Consiste en cortar una muesca ancha en una pieza o cortar un rebajo a lo largo del borde de una pieza. Es necesario un inserto de juntas de ranura (accesorio opcional, mostrado en la Figura 9-12) para este tipo de operación.

PRECAUCIÓN No use el inserto de la mesa estándar para operaciones de juntas de ranura.



Figura 9-12

El proceso de cortar muescas de 1/8" a 13/16" en piezas se logra usando un conjunto de hojas de juntas de ranura apiladas o una hoja tipo ajustable montada en el árbol de la hoja. Al usar varias combinaciones de hojas de juntas de ranura apiladas o ajustar debidamente el indicador en una hoja ajustable, se puede hacer un ancho de junta de ranura exacto. Esto es muy útil para hacer estantes, juntas, espigas, etc.

El protector, el separador y los fiadores antirretroceso suministrados con la sierra deben usarse para todas las operaciones de corte donde se puedan usar.

Al efectuar operaciones donde no se pueda usar el protector, como en algunas operaciones de juntas de ranura, se deben tomar precauciones de seguridad alternativas. Estas incluyen varillas de empuje, tableros de presión, piezas de relleno, aparatos y cualquier otro dispositivo que pueda utilizarse para mantener las manos del operador alejadas de la hoja.

Al completar la operación de retirada del protector, se debe volver a colocar todo el conjunto de protector en la máquina en su orden de trabajo apropiado.

PRECAUCIÓN No use nunca una cabeza de junta de ranura en una posición inclinada. No opere nunca la sierra sin el protector de hoja, separador y fiadores de antirretroceso para operaciones donde puedan usarse.

10.0 Dispositivos de seguridad

10.1 Tablero de presión

Los tableros de presión, o "peines," pueden comprarse en la mayoría de las ferreterías, o los puede hacer el operador para adaptarse a ciertas aplicaciones. El tablero de presión (Figura 9-13) debe hacerse de madera dura de vetas rectas de aproximadamente 1" de espesor y 4" a 8" de ancho dependiendo del tamaño de la máquina. La longitud se desarrolla según el uso debido.

Los tableros de presión pueden sujetarse a la mesa o guía de corte usando prensas en C.- De forma alternativa, los agujeros perforados y atornillados en la superficie de la mesa permiten el uso de tuercas de mariposa y arandelas como método de sujeción. Si se usa este método de sujeción, proporcione ranuras en el tablero de presión para el ajuste. (La ilustración muestra un método de sujetar y usar el tablero de presión como un peine vertical. La aplicación horizontal es esencialmente la misma excepto que el accesorio es la parte superior de la mesa).

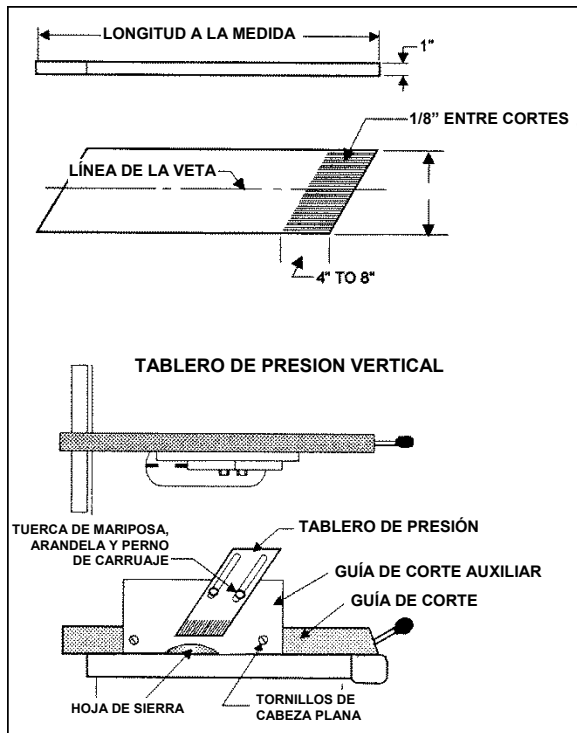


Figura 9-13: tablero de presión

10.2 Varilla de empuje y bloque de empuje

El uso de un bloque de empuje o varilla de empuje proporciona un nivel adicional de seguridad para el operador. Se incluye una varilla de empuje con su sierra de mesa, pero tal vez desee hacer otras personalizadas para distintos procedimientos de corte. Las plantillas en las Figuras 9-14 y 9-15 ofrecen detalles de construcción.

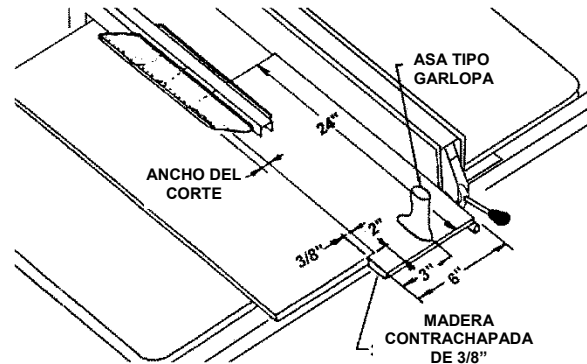


Figura 9-14: plantilla de bloque de empuje

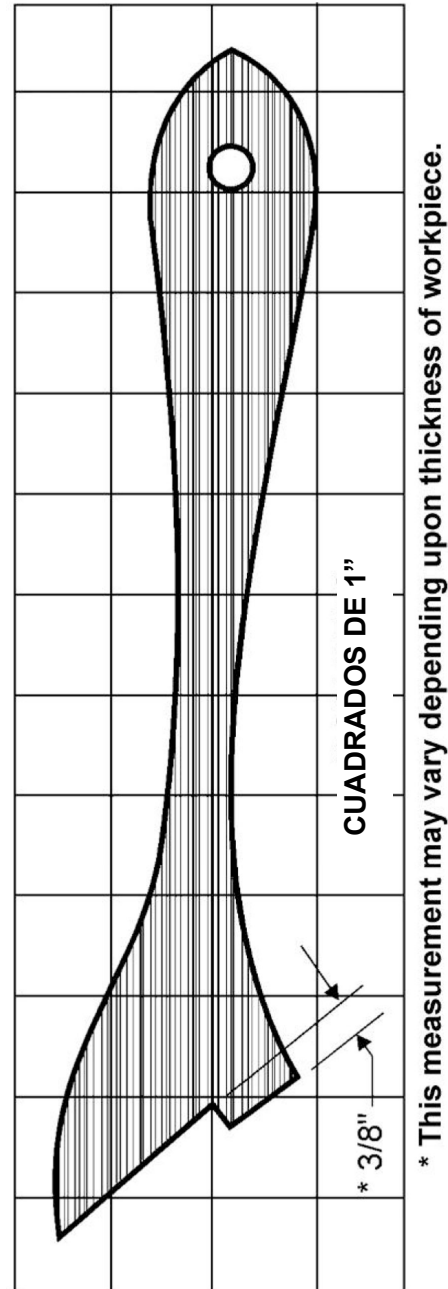


Figura 9-15: plantilla de varilla de empuje

11.0 Mantenimiento del usuario



ADVERTENCIA Desconecte siempre la corriente de la máquina antes de realizar el mantenimiento. De no cumplir con esto se pueden producir lesiones graves.

11.1 Inspección general

Sepa siempre cuál es el estado de su máquina. Compruebe de forma rutinaria el estado de los artículos siguientes y repare o reemplace según sea necesario:

- Pernos de montaje
- Interruptor de encendido
- Hoja de sierra
- Conjunto de protector de hoja

11.2 Limpieza

Nota: El plan de mantenimiento siguiente supone que la sierra se está usando a diario.

DIARIAMENTE:

- Limpie la superficie de la mesa paño y las ranuras en T con un paño.
- Limpie al alquitrán y la resina de la hoja de la sierra.

SEMANALMENTE:

- La superficie de la mesa debe mantenerse limpia y sin herrumbre para obtener los mejores resultados. Para facilitar esto, aplique una capa de pasta de cera a la superficie. De forma alternativa, se puede disponer de protectores de rociado comerciales de ferreterías locales. Un buen protector debe proteger contra la formación de óxido en la superficie sin manchar las piezas.
- Limpie la caja del ventilador del motor con aire comprimido.
- Limpie los largueros de la guía con un lubricante de silicona seco.

PERIÓDICAMENTE:

- Mantenga limpios el interior del gabinete y el muñón. Limpie el polvo y las astillas con una aspiradora.
- Compruebe si hay un juego excesivo al inclinar y subir el mecanismo y en el árbol de la sierra, y ajuste según sea necesario.
- Compruebe la correa para ver si tiene la tensión debida, y si tiene indicios de desgaste, rajaduras, deshilachado, etc.

11.3 Lubricación

- Engrase las áreas del engranaje sinfin inclinable, engranaje sinfin de subida y muñón con una grasa no endurecedora de buena calidad.
- Compruebe todos los ajustes después de lubricar, como la acción del volante, los topes de hoja, el ajuste de la DRO, etc.

11.4 Retirada del árbol/cojinete del árbol

El árbol de sierra se *ajusta a presión* en la caja del brazo de subida de la sierra. Un técnico de servicio capacitado debe quitar el árbol para reemplazar el cojinete, en caso de que sea necesario. Póngase en contacto con el departamento de servicio al cliente de Powermatic.

11.5 Servicio adicional

Un técnico de reparación autorizado debe realizar el servicio adicional.

12.0 Accesorios opcionales

Estos artículos accesorios (comprados por separado) pueden mejorar la funcionalidad de su sierra de mesa PM2000B. Póngase en contacto con su distribuidor para pedir, o llamar a Powermatic al número de teléfono de la cubierta. Puede disponerse de accesorios adicionales; vea nuestro sitio web.



1791788B – Inserto para juntas de ranura



1791786B – Inserto de holgura cero



1791791C – Separador de ancho de corte delgado de alto perfil de 0.079" (2.0 mm) de espesor



1791792B – Separador de ancho de corte grueso de bajo perfil de 0.079" (2.0 mm) de espesor

13.0 Resolución de problemas Sierra de gabinete PM2000B

13.1 Problemas del motor y eléctricos

Síntoma	Causa probable	Solución
La sierra no arranca.	No hay corriente de entrada.	Compruebe la conexión del enchufe.
	Falta la llave de seguridad del interruptor.	Instale la llave de seguridad.
	Bajo voltaje.	Compruebe si el voltaje de la línea de alimentación es apropiado.
	Circuito abierto en el motor o conexión suelta.	Inspeccione todas las conexiones del motor para ver si hay conexiones sueltas o abiertas.
	Cordón de alimentación dañado.	Reemplace el cordón.
La sierra no arranca: el fusible se funde o el disyuntor se dispara.	Cortocircuito en el cordón o el enchufe de la línea de alimentación.	Inspeccione el cordón o el enchufe para ver si el aislamiento está dañado y los cables cortocircuitados.
	Cortocircuito en el motor o conexiones sueltas.	Inspeccione todas las conexiones del motor para ver si hay terminales sueltos o cortocircuitados o aislamiento desgastado.
	Fusibles o disyuntores incorrectos en la línea de alimentación.	Instale fusibles o disyuntores correctos.
El motor arranca lentamente o no alcanza su velocidad máxima.	Bajo voltaje.	Solicite la comprobación de voltaje de la compañía eléctrica y corrija la condición de bajo voltaje.
	Línea eléctrica sobrecargada.	Condición correcta de sobrecarga. Use un circuito especial para la sierra de mesa.
	Cables de tamaños menores en el sistema de alimentación eléctrica.	Aumente el tamaño de los cables de alimentación.
	El interruptor centrífugo no se conecta.	Reemplace el interruptor centrífugo (personal capacitado solamente).
	Funcionamiento defectuoso del motor.	Pida a un inspector capacitado que compruebe el motor. Repare o reemplace.
El motor se recalienta.	Motor sobrecargado.	Reduzca la carga en el motor.
	Enfriamiento indebido del motor; falta de circulación de aire.	Limpie el aserrín de las áreas del ventilador y conducto del motor.
El motor se cala, lo que resulta en fusibles fundidos o circuitos disparados.	Motor sobrecargado.	Reduzca la carga en el motor.
	Cortocircuito en el motor o conexiones sueltas.	Inspeccione todas las conexiones del motor para ver si hay terminales sueltos o cortocircuitados o aislamiento desgastado.
	Bajo voltaje.	Corrija las condiciones de bajo voltaje.
	Fusibles o disyuntores incorrectos en la línea de alimentación.	Instale fusibles o disyuntores correctos.

Tabla 4

13.2 Problemas mecánicos y eléctricos

El motor se cala o la pieza se atasca o se quema.	Alimentación excesiva.	Reduzca la alimentación.
	Hoja desafilada o incorrecta.	Reemplace la hoja; use un tipo apropiado de hoja para el corte necesitado.
	Ranura de inglete desalineada.	Realinee la mesa con la hoja.
	Guía de corte desalineada.	Realinee la guía de corte (vea el manual de Accu-Fence).
	Funcionamiento defectuoso del motor.	Pida a un inspector capacitado que compruebe el motor. Repare o reemplace.
La máquina disminuye su velocidad o se cala al operar.	Aplicación de demasiada presión sobre la pieza.	Alimente la pieza con más lentitud.
	La correa trapecial de poli está aflojada.	Apriete la correa.
Ruido repetitivo de gran volumen procedente de la máquina.	Faltan tornillos de presión o chavetas de la polea o están aflojados.	Inspeccione las chavetas y los tornillos de presión. Reemplace o apriete si es necesario.
	El ventilador del motor golpea la cubierta.	Apriete el ventilador o calce la cubierta.
	La correa trapecial es defectuosa.	Reemplace la correa trapecial.
Vibraciones excesivas	Las perillas de traba de inclinación o subida no están apretadas.	Apriete las perillas de traba en los volantes
	El sistema de ruedecillas orientables sigue conectado.	Desconecte las ruedecillas orientables antes de operar la sierra.
	La máquina no está apoyada de forma pareja sobre el piso.	Asegúrese de que el piso esté horizontal; use calzos debajo del gabinete si es necesario.
	Hoja desequilibrada.	Reemplace la hoja.
	Polea suelta.	Compruebe la polea del motor y la polea del huso. Apriete los tornillos de presión si es necesario.
	Correa desgastada, agrietada o deshinchada.	Reemplace la correa.
	Funcionamiento defectuoso del motor.	Pida a un inspector capacitado que compruebe el motor. Repare o reemplace.
La hoja no está alineada con la ranura de inglete ni la guía está alineada con la hoja.	La hoja está alabeada.	Reemplace la hoja de la sierra.
	La parte superior de la mesa no es paralela a la hoja.	Ajuste la mesa paralela a la hoja.
	La guía no es paralela a la hoja.	Ajuste la guía paralela a la hoja.
La hoja no llega a 90 grados.	El tope de 90 grados está desajustado.	Ajuste el tope de 90 grados.
Corta sin cuadrar al cortar de modo transversal.	Calibre de inglete desajustado.	Reajuste los topes y el puntero en el calibre.
	Ranura de inglete desalineada.	Realinee la mesa con la hoja.
Los cortes no son precisos a 90 o 45 grados.	Los tornillos de tope no están debidamente ajustados.	Reajuste los tornillos.
Es difícil girar el volante de inclinación o subida.	No se ha soltado la perilla de traba.	Afloje la perilla de traba.
	Segmento de sinfín y muñón empastado con aserrín y alquitrán.	Limpie y reengrase el sinfín y el segmento.
	Segmento de sinfín y muñón desalineado.	Realinee el sinfín con el segmento (personal capacitado).

Tabla 5

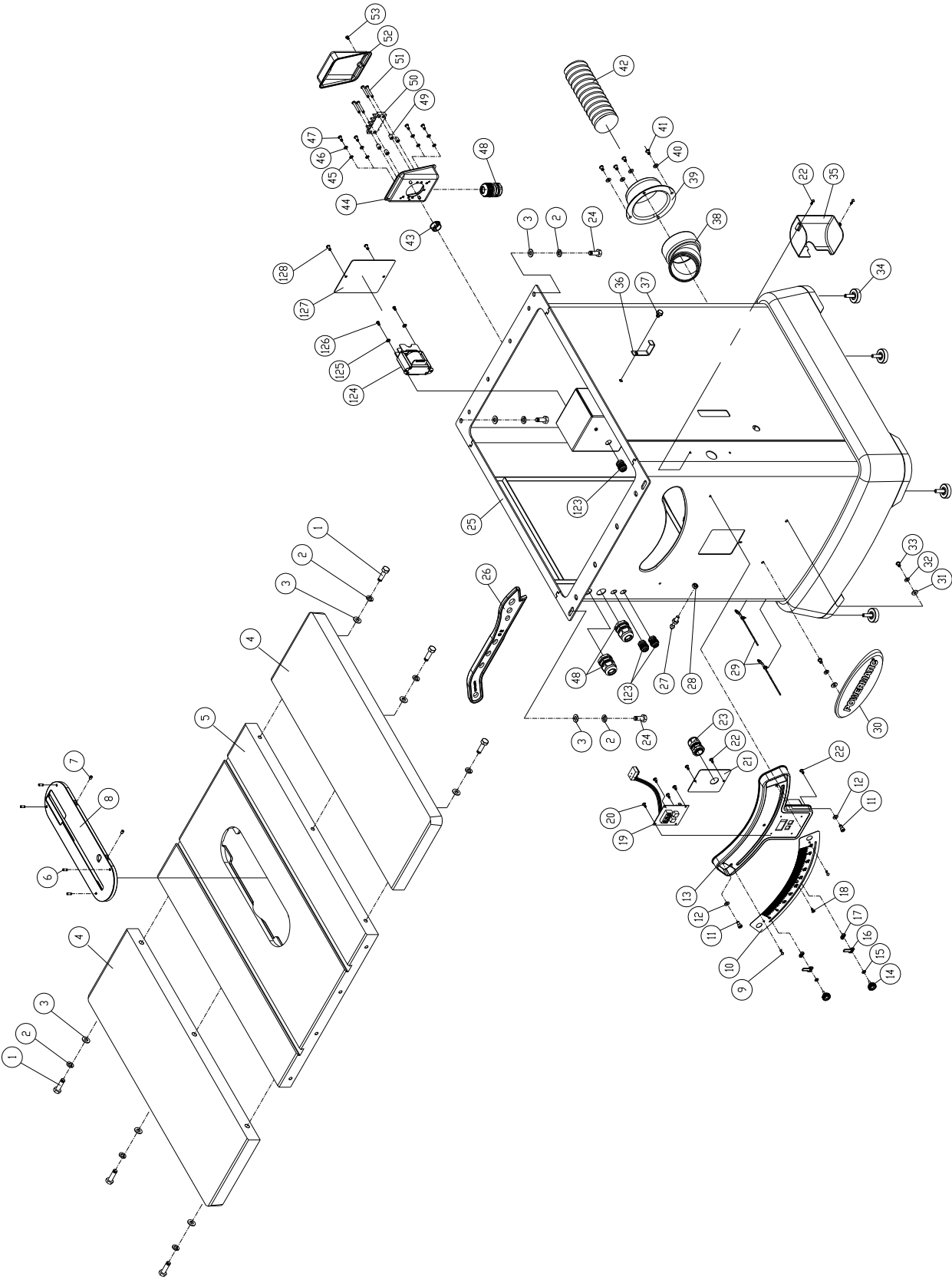
14.0 Piezas de repuesto

Las piezas de repuesto aparecen indicadas en las páginas siguientes. Para pedir piezas o comunicarse con nuestro departamento de servicio, llame al 1-800-274-6848 de lunes a viernes, Hora Central (vea nuestras horas comerciales en nuestro sitio web, www.powermatic.com). Tener el número de modelo y el número de serie de su máquina disponible cuando llame nos permitirá servirle de forma rápida y precisa.

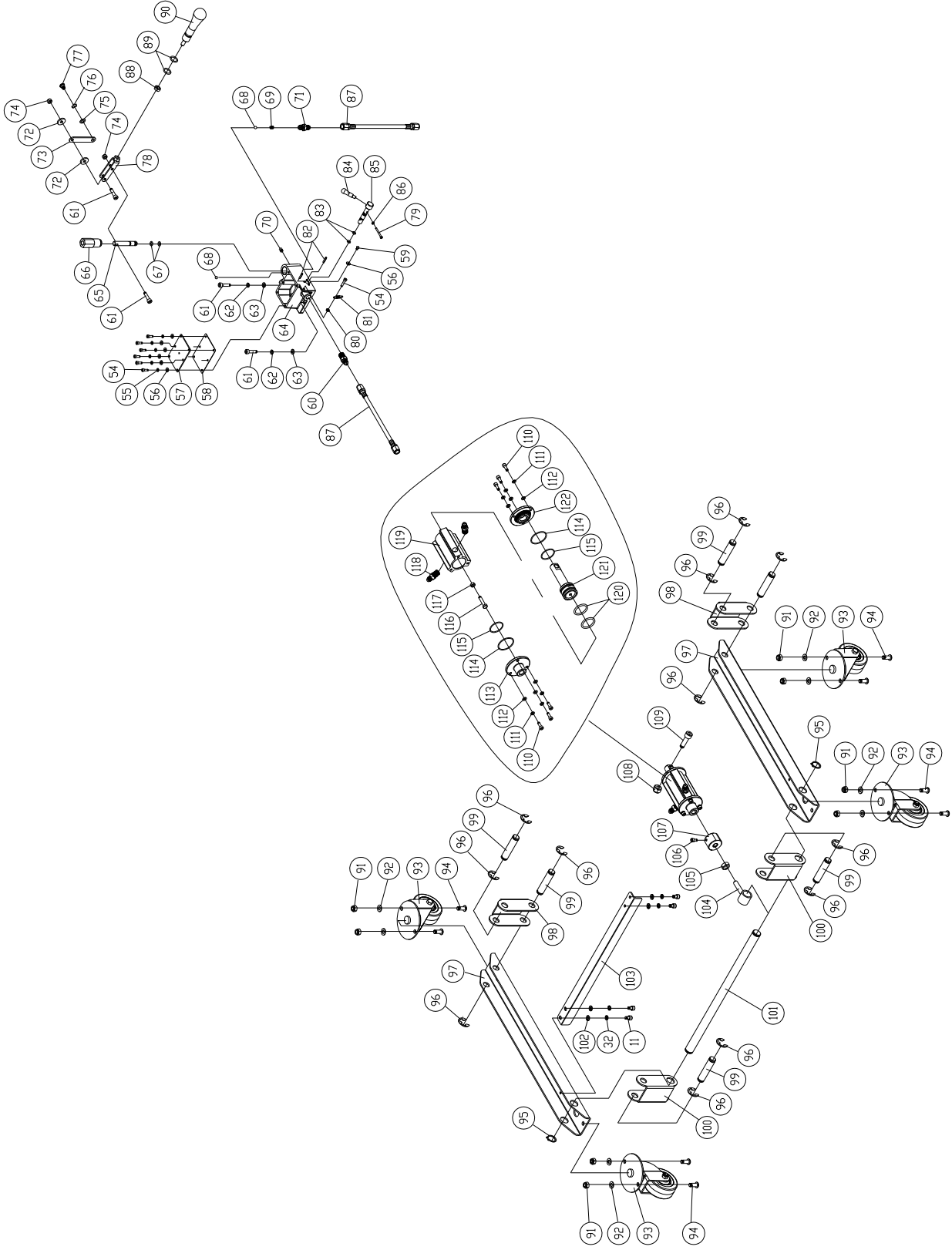
Se pueden encontrar piezas no propietarias, como sujetadores, en ferreterías, o se pueden pedir a Powermatic.

Algunas piezas se muestran como referencia solamente, y tal vez no estén disponibles individualmente.

14.1.1 PM2000B Conjunto de mesa y gabinete I – Vista desarrollada



14.1.2 PM2000B Conjunto de mesa y gabinete II – Vista desarrollada



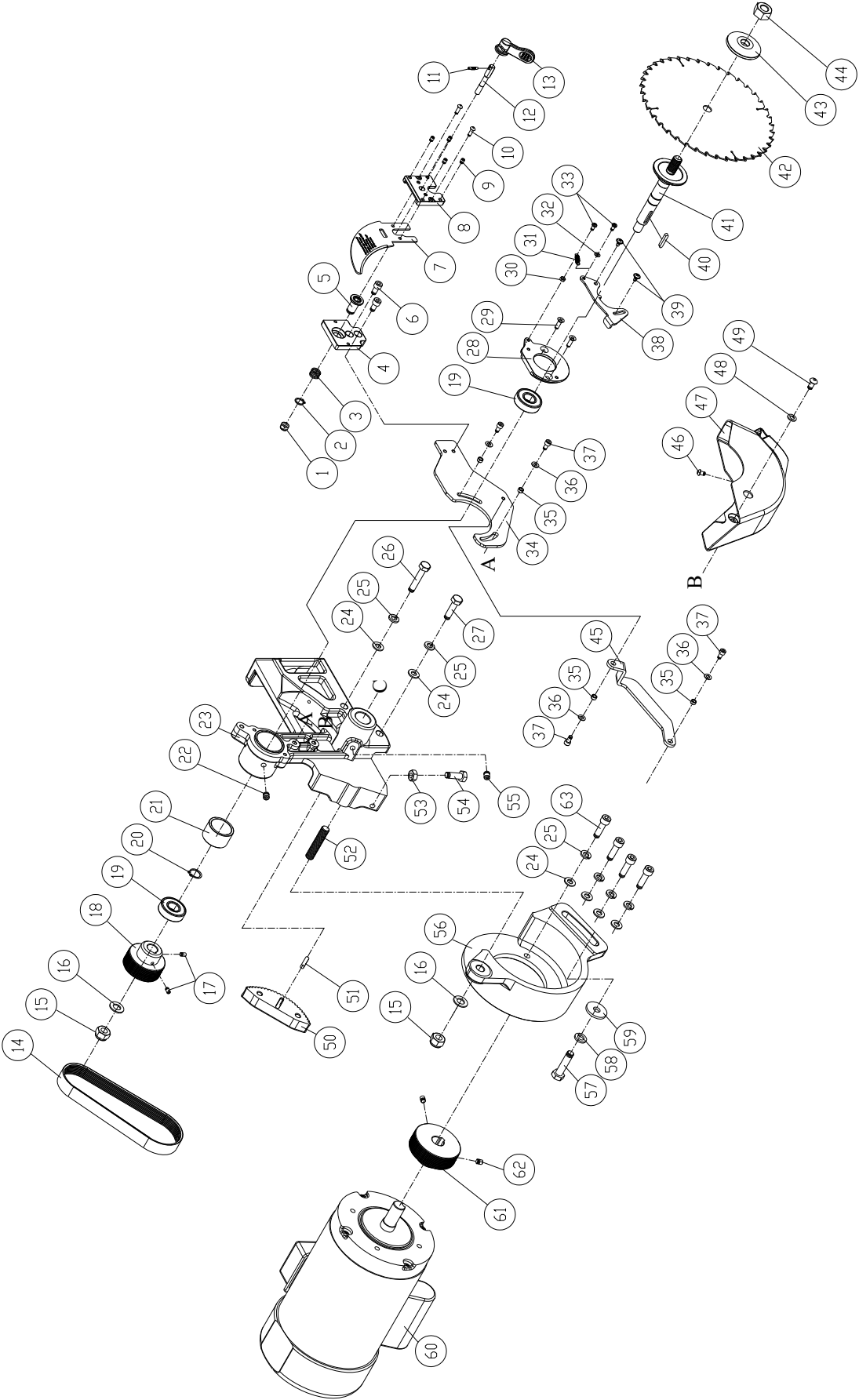
14.1.3 PM2000B Conjunto de mesa y gabinete – Lista de piezas

No. de índice	No. de pieza	Descripción	Tamaño	Cant.
1	TS-149105	Tornillo de cabeza hex	M10-1.5 x 35L	6
2	TS-2361101	Arandela de traba	M10	10
3	TS-1550071	Arandela plana	10 x 20 x 2.0T	10
4	PM2000B-104	Mesa de extensión		2
5	PM2000B-105	Mesa		1
6	F010395L	Tornillo de presión de cabeza hueca CPP con trabarroscas.	M5-0.8 x 12L	4
7	PM2000B-107	Émbolo		2
8	PM2000B-108	Inserto de mesa		1
	PM2000B-108TIA	Conjunto de Inserto de mesa (incluye #6,7,8)		1
9	PM2000B-109	Tornillo Phillips de aterrajado de cabeza hueca	M4-1.41P x 12L	2
10	PM2000B-110	Escala de ángulo de inclinación		1
11	TS-1503031	Tornillo de cabeza hueca	M6-1.0.7 x 12L	6
12	TS-1550041	Arandela plana	6.2 x 13 x 1.5T mm	2
13	PM2000B-113	Base de escala con etiqueta		1
14	PM2000B-114	Perilla de referencia de ángulo		2
15	TS-1550031	Arandela plana	5.2 x 10 x 1.0T mm	2
16	PM2000B-116	Referencia de ángulo específico		2
17	PM2000B-117	Tuerca especial		2
18	PM2000B-118	Tornillo Phillips de aterrajado de cabeza hueca	M4-1.41P x 10L	1
19	PM2000B-119	Conjunto de sensor		1
20	PM2000B-120	Tornillo Phillips de aterrajado de cabeza hueca	M3 x 1.06P x 10L	4
21	PM2000B-121	Cubierta de caja de DRO		1
22	PM2000B-122	Tornillo Phillips de aterrajado de cabeza redonda	M4 x 1.41P x 10L	5
23	PM2000B-123	Aliviador de tensión	PGA16-14B	1
24	TS-1491031	Tornillo de cabeza hex	M10-1.5 x 25L	4
25	PM2000B-125	Gabinete (para 3 HP monofásica y 5 HP monofásica)		1
	PM2000B-125A	Gabinete (para 5 HP trifásica)		1
26	PM2000B-126	Varilla de empuje		1
27	PM2000B-127	Clavija		1
28	TS-2311081	Tuerca hexagonal	M8-1.25	1
29	PM2000B-129	Amarre de cable		2
30	PM2000B-130	Logotipo de Powermatic		1
31	TS-1550041	Arandela plana	6.7 x 16 x 2.0T mm	2
32	TS-0720071	Arandela de traba	1/4"	6
33	PM2000B-133	Tornillo Phillips de cabeza redondeada para metal	1/4"-20UNC x 3/8"L	2
34	PM2000B-134	Pata de nivelación		4
35	PM2000B-135	Cubierta de conjunto de sensor		1
36	PM2000B-136	Soporte colgante		1
37	PM2000B-137	Tornillo de cabeza hex con arandela plana	M8-1.25 x 12L	1
38	PM2000B-138	Adaptador de rampa de descarga para polvo		1
39	PM2000B-139	Orificio para polvo		1
40	TS-1550041	Arandela plana	6.2 x 13 x 1.5T mm	4
41	TS-2246122	Tornillo de cabeza de botón hueca	M6-1.0.7 x 12L	4
42	PM2000B-142	Manguera para el polvo		1
43	PM2000B-143	Arandela de goma		1
44	PM2000B-144	Caja de terminales		1
45	F002097	Arandela de traba, diente ext	M5	4
46	TS-1550031	Arandela plana	5.3 x 10 x 2.0T mm	4
47	TS-1533042	Tornillo Phillips de cabeza redondeada para metal	M5-0.8 x 12L	4
48	PM2000B-148	Aliviador de tensión (solamente para 3HP, monofásica)	MG25AS-14B	1
	PM2000B-148A	Aliviador de tensión (solamente para 5 HP, monofásica y 5 HP, trifásica)	MG25A-18B	1
49	PM2000B-149	Espaciador		4
50	PM2000B-150	Placa de terminales		1
51	F001221	Tornillo Phillips de cabeza redondeada para metal	M5-0.8 x 35L	4
52	PM2000B-152	Cubierta de caja de terminales		1
53	F000648	Tornillo Phillips de cabeza redondeada para metal	10-24UNC x 1/4L	1
54	TS-1501041	Tornillo de cabeza hueca	M4-0.7 x 12L	7
55	TS-2361041	Arandela de traba	M4	6
56	TS-1550021	Arandela plana	4.3 x 10 x 1.0T mm	7

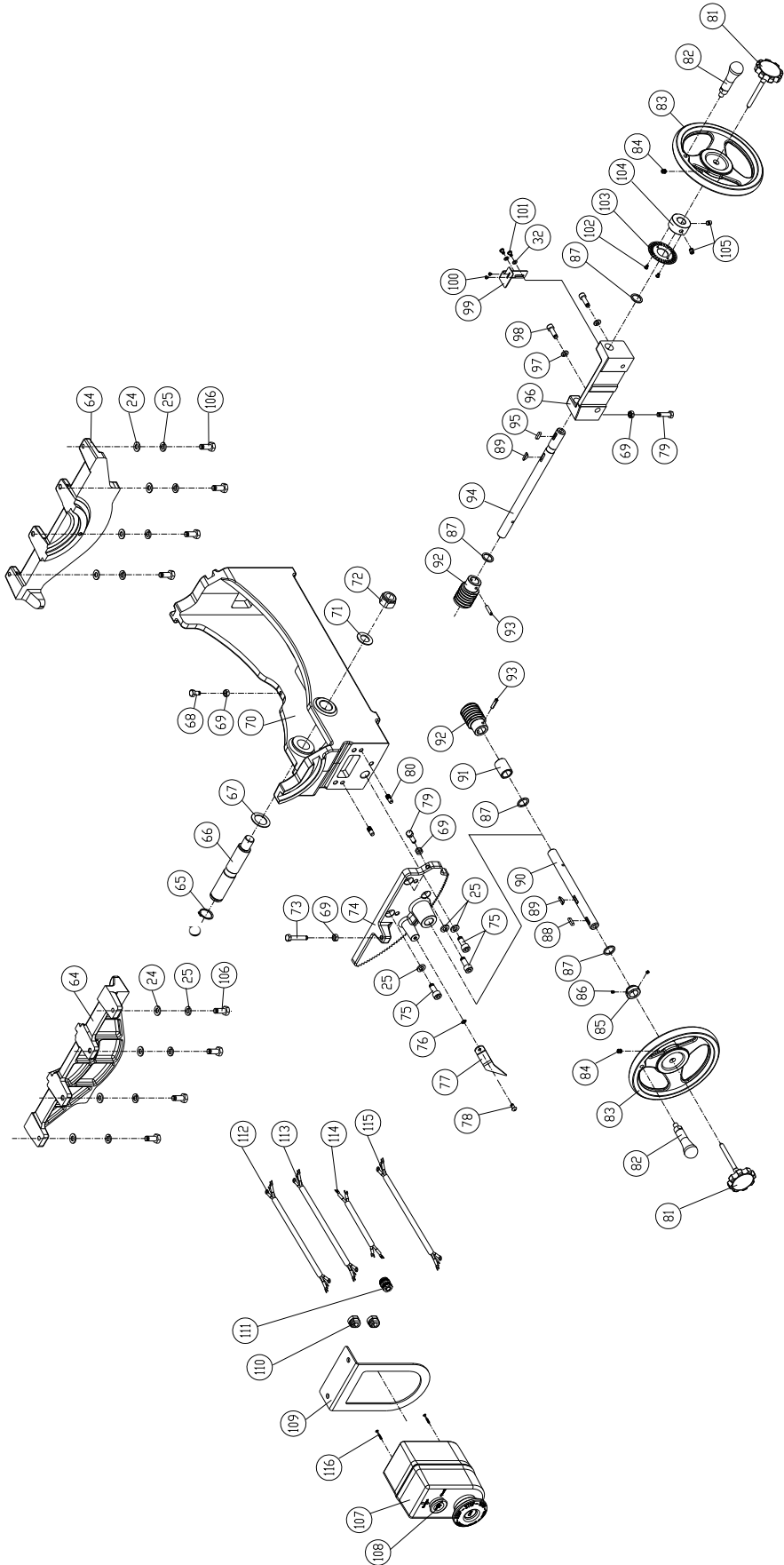
No. de índice	No. de pieza	Descripción	Tamaño	Cant.
57	PM2000B-157	Cubierta de tanque de aceite		1
58	PM2000B-158	Junta		1
59	F009923	Tornillo de botón de cabeza hueca	M4-0.7 x 6L	1
60	PM2000B-160	Conexión de manguera de aceite	PT1/4" x PH1/4"	1
61	TS-1503061	Tornillo de cabeza hueca	M6-1.0 x 25L	4
62	TS-1551041	Arandela de traba	M6	2
63	TS-1550041	Arandela plana	6.4 x 11.5 x 1.6T mm	2
64	PM2000B-164	Tanque de aceite		1
65	PM2000B-165	Eje de bomba		1
66	PM2000B-166	Manguito de eje de bomba		1
67	JMS10SCMS-43	Junta tórica	P7	2
68	SB-6MM	Bola de acero	6 Diám.	2
69	PM2000B-169	Resorte de compresión		1
70	TS-2276081	Tornillo de presión de cabeza hueca	M6-1.0 x 8L	1
71	PM2000B-171	Conexión de manguera de aceite	TH1/4" x TH1/4"	1
72	TS-1550041	Arandela plana	6.2 x 20 x 3.0T mm	2
73	PM2000B-173	Varillaje		1
74	TS-1541021	Tuerca hexagonal de traba de nilón	M6-1.0	2
75	TS-1541031	Arandela plana	8.5 x 16 x 1.0T mm	1
76	JMS10SCMS-37	Arandela ondulada	VW-8	1
77	PM2000B-177	Tornillo de resalto		1
78	PM2000B-178	Varillaje		1
79	F005344	Tornillo de cabeza hueca	M3-0.5 x 20L	1
80	TS-1540021	Tuerca hexagonal	M4-0.7	1
81	PM2000B-181	Resorte de tensión		1
82	F012097	Pasador de rodillo	3 x 16 mm	2
83	CK350-722	Junta tórica	P5	2
84	PM2000B-184	Perilla		1
85	PM2000B-185	Eje de descarga de aceite		1
86	TS-1540011	Tuerca hexagonal	M3-0.5	1
87	PM2000B-187	Conjunto de manguera de aceite		2
88	TS-1540061	Tuerca hexagonal	M8-1.25	1
89	5784696	Junta tórica	P15	2
90	PM2000B-190	Manija de bomba		1
91	TS-1541031	Tuerca hexagonal de traba de nilón	M8-1.25	8
92	TS-1550061	Arandela plana	8 x 16 x 1.6T mm	8
93	PM2000B-193	Ruedecilla orientable		4
94	TS-2248202	Tornillo de botón de cabeza hueca	M8-1.25 x 20L	8
95	F006048	Anillo de retención en C, ext.	STW-20	2
96	F006088	Anillo de retención en E	ETW-15	12
97	PM2000B-197	Varillaje		2
98	PM2000B-198	Soporte de ruedecillas orientables de mando		2
99	PM2000B-199	Pivote		6
100	PM2000B-1100	Soporte de ruedecillas orientables impulsadas		2
101	PM2000B-1101	Biela		1
102	TS-1550041	Arandela plana	6.3 x 13 x 1.0T mm	4
103	PM2000B-1103	Tirante		1
104	PM2000B-1104	Collar de conexión		1
105	TS-2311121	Tuerca hexagonal	M12-1.75	1
106	F005363L	Tornillo de cabeza hueca con trabarrosas	M5-0.8 x 10L	1
107	PM2000B-1107	Tuerca especial		1
108	TS-2342101	Tuerca hex de traba de nilón	M10-1.5	1
109	TS-15505061	Tornillo de cabeza hueca	M10-1.5 x 40L	1
	PM2000B-HCA	Conjunto de cilindro hidráulico (incluye 110 a 122)		1
110	HVBS710SG-314	Tornillo de cabeza hueca	M5-0.8 x 15L	6
111	TS-1551031	Arandela de traba	M5	6
112	TS-1550031	Arandela plana	5.2 x 10 x 1.0T mm	6
113	PM2000B-1113	Campana de extremo impulsado		1
114	PM2000B-1114	Junta tórica	AS029	2
115	PM2000B-1115	Junta tórica	AS026	2
116	TS-1482061	Tornillo de cabeza hex	M6-1.0 x 30L	1
117	TS-2311061	Tuerca hexagonal	M6-1.0	1

No. de índice	No. de pieza	Descripción	Tamaño	Cant.
118	PM2000B-1118	Conexión de manguera de aceite	PT1/4" x PH1/4"	2
119	PM2000B-1119	Cilindro hidráulico		1
120	PM2000B-1120	Junta tórica	P29	2
121	PM2000B-1121	Pistón		1
122	PM2000B-1122	Campana de extremo de mando		1
123	PM2000B-1123	Aliviador de tensión	MGB16-10B	3
124	PM2000B-1124	Conjunto de transformador con fusible		1
125	TS-1550021	Arandela plana	4.3 x 10 x 1.0T mm	2
126	TS-2284082	Tornillo Phillips con cabeza redondeada para metal	M4-0.7 x 8L	2
127	PM2000B-1127	Cubierta de caja de transformador		1
128	F009884	Tornillo de botón de cabeza hueca	M5-0.8 x 8L	2
129	PM2000B-1129	Fusible	2A x 250V	2
	LM000304	Etiqueta de advertencia (no se muestra)		1
	LM000305	Etiqueta de ID, PM2000B, 3 HP monofásica (no se muestra)		1
	LM000312	Etiqueta de ID, PM2000B, 5 HP monofásica (no se muestra)		1
	LM000313	Etiqueta de ID, PM2000B, 5 HP trifásica (no se muestra)		1
	CL-HV	Etiqueta de precaución - Alto voltaje (no se muestra)		2
	PM2000B-1133	Franja negra (no se muestra)	1" de ancho	por pie
	LM000307	Etiqueta - Elevador de ruedas orientables (no se muestra)		1
	LM000308	Etiqueta - Parte inferior de ruedas orientables (no se muestra)		1

14.2.1 PM2000B Conjunto de motor y muñón I – Vista desarrollada



14.2.2 PM2000B Conjunto de motor y muñón II – Vista desarrollada



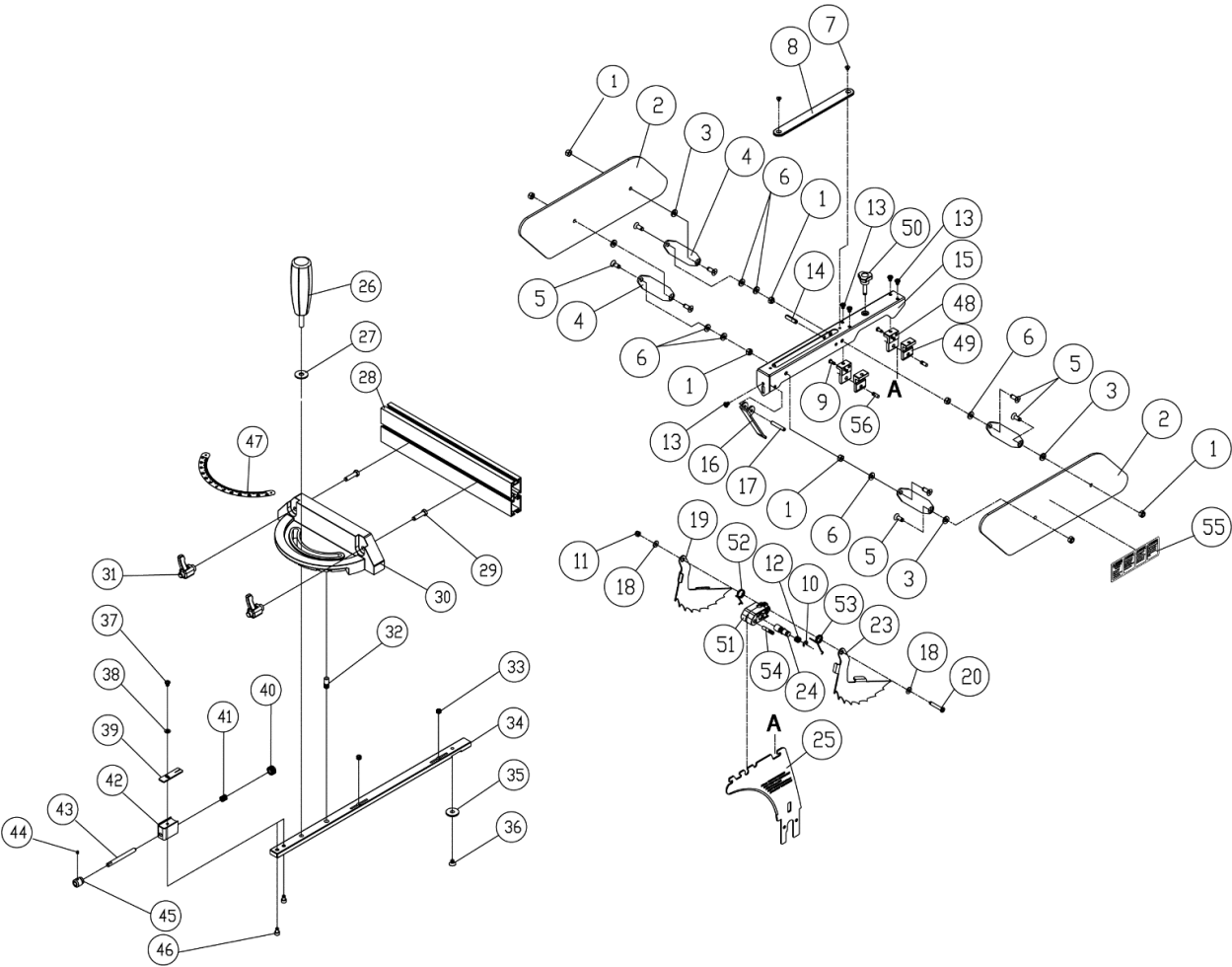
14.2.3 PM2000B Conjunto de motor y muñón – Lista de piezas

No. de índice	No. de pieza	Descripción	Tamaño	Cant.
1	TS-1541031	Tuerca hex de traba de nilón	M8-1.25	1
2	F006042	Anillo de retención en C, ext	STW-14	1
3	PM2000B-203	Resorte de compresión		1
4	PM2000B-204	Base fija del separador		1
5	PM2000B-205	Bloque de sujeción		1
6	TS-1504031	Tornillo de cabeza hueca	M8-1.25 x 16L	2
7	PM2000B-207	Separador de bajo perfil	0.1" (2.5 mm) de espesor	1
8	PM2000B-208	Placa de sujeción del separador		1
9	TS-2276081	Tornillo de presión de cabeza hueca	M6-1.0 x 8L	4
10	TS-2245162	Tornillo de cabeza de botón hueca	M5-0.8 x 16L	2
11	PM2000B-211	Pasador macizo		1
12	PM2000B-212	Eje		1
13	PM2000B-213	Palanca		1
14	VB-220J10	Correa trapecial de poli	220J-10	1
15	TS-2342141	Tuerca hex de traba de nilón	M14-2.0	2
16	TS-155009	Arandela plana	14.2 x 26 x 2T mm	2
17	F010401L	Tornillo de presión de cabeza hueca CPP con trabarrosas	M6-1.0 x 8L	2
18	PM2000B-218	Polea del árbol		1
19	BB-6201VV	Cojinete de bolas	6204VV	2
20	F006048	Anillo de retención en C, ext	STW-20	1
21	PM2000B-221	Buje		1
22	F010414L	Tornillo de cabeza hueca CPP con trabarrosas	M10-1.5 x 10L	1
23	PM2000B-223	Brazo de apoyo		1
24	TS-1550071	Arandela plana	10 x 20 x 2.0T mm	14
25	TS-2361101	Arandela de traba	M10	17
26	JTS315PST-08	Tornillo de cabeza hex	M10-1.5 x 55L	1
27	TS-1491061	Tornillo de cabeza hex	M10-1.35 x 40L	1
28	PM2000B-228	Placa fija		1
29	TS-2286201	Tornillo Phillips con cabeza redondeada para metal	M6-1.0 x 20L	2
30	TS-1540031	Tuerca hexagonal	M5-0.8	1
31	PM2000B-231	Resorte de tensión		1
32	TS-1550031	Arandela plana	5.3 x 10 x 2.0T mm	3
33	F001208L	Tornillo de cabeza redondeada para metal con trabarrosas	M5-0.8 x 8L	2
34	PM2000B-234	Placa de extensión del separador		1
35	PM2000B-235	Buje		4
36	TS-1550041	Arandela plana	6.3 x 13 x 1.0T mm	4
37	F005267L	Tornillo de cabeza hueca con trabarrosas	M6-1.0 x 12L	4
38	PM2000B-238	Traba de huso		1
39	PM2000B-239	Tornillo de resalto		2
40	6291479	Chaveta plana de cabeza redondeada doble	5 x 5 x 30 mm	1
41	PM2000B-241	Árbol		1
42	PM2000B-242	Hoja de sierra	10" 40T 5/8A ATB	1
43	PM2000B-243	Brida		1
44	PM2000B-244	Tuerca		1
45	PM2000B-245	Tirante		1
46	F009893L	Tornillo de cabeza hueca con trabarrosas	M6-1.0 x 10L	1
47	PM2000B-247	Conducto de descarga de polvo		1
48	TS-1550061	Arandela plana	8.5 x 16 x 1.5T mm	1
49	TS-2248162	Tornillo de botón de cabeza hueca	M8-1.25 x 16L	1
50	PM2000B-250	Bloque de engranajes de elevación		1
51	DT45-110	Chaveta plana de cabeza redondeada plana	6 x 6 x 30 mm	1
52	PM2000B-252	Tornillo de presión de cabeza hueca	M14-2.0 x 70L	1
53	TS-2311101	Tuerca hexagonal	M10-1.5	1
54	TS-1491041	Tornillo de cabeza hex	M10-1.5 x 30L	1
55	F010418L	Tornillo de presión de cabeza hueca CPP con trabarrosas	M10-1.5 x 25L	1
56	PM2000B-256	Soporte de rotación del motor		1
57	TS-1492051	Tornillo de cabeza hex	M12-1.75P x 50L	1
58	TS-2361121	Arandela de traba	M12	1
59	PM2000B-259	Arandela plana	13 x 28 x 3.0T mm	1

No. de índice	No. de pieza	Descripción	Tamaño	Cant.
60	PM2000B-260	Motor	3HP 230V 60Hz monofásica	1
	PM2000B-260SC	Capacitor de arranque	400 MFD 125 VCA	1
	PM2000B-260RC	Capacitor de marcha	40 µF 350 VCA	1
	PM2000B-260CC	Cubierta de capacitor		2
	PM2000B-260F	Ventilador		1
	PM2000B-260FC	Cubierta de ventilador		1
	PM2000B-260CS	Interruptor centrífugo		1
	LM000316	Etiqueta de motor , PM2000B (3 HP monofásico)		1
	PM2000B-260A	Motor	5HP 230V 60Hz monofásica	1
	PM2000B-260ASC	Capacitor de arranque	400 MFD 250 VCA	1
	PM2000B-260ARC	Capacitor de marcha	30 µF 500 VCA	1
	PM2000B-260CC	Cubierta de capacitor		1
	PM2000B-260ARCC	Cubierta de capacitor de marcha		1
	PM2000B-260AF	Ventilador		1
	PM2000B-260AFC	Cubierta de ventilador		1
	PM2000B-260CS	Interruptor centrífugo		1
	LM000317	Etiqueta de motor, PM2000B (5 HP monofásica)		1
	PM2000B-260B	Motor	5HP 230/460 V 60 Hz trifásico	1
	PM2000B-260F	Ventilador		1
	PM2000B-260FC	Cubierta de ventilador		1
	LM000318	Etiqueta de motor , PM2000B (5 HP trifásica)		1
61	PM2000B-261	Polea de motor		1
62	PM2000B-262	Tornillo de presión de cabeza hueca CPP con trabarrosas.	M8-1.25 x 20L	2
63	TS-1505051	Tornillo de cabeza hueca	M10-1.5 x 35L	4
64	PM2000B-264	Muñón		2
65	F006051	Anillo de retención en C, ext.	STW-28	1
66	PM2000B-266	Eje		1
67	PM2000B-267	Arandela de nilón		1
68	TS-1490021	Tornillo de cabeza hex	M8-1.25 x 16L	1
69	TS-2311081	Tuerca hexagonal	M8-1.25	4
70	PM2000B-270	Muñón central		1
71	PM2000B-271	Arandela plana	21 x 38 x 3T mm	1
72	PM2000B-272	Tuerca hex de traba de nilón	M20-1.5P	1
73	TS-1490081	Tornillo de cabeza hex	M8-1.25 x 45L	1
74	PM2000B-274	Bloque de engranajes de inclinación		1
75	TS-1505031	Tornillo de cabeza hueca	M10-1.5 x 25L	3
76	JWBS100S-107	Arandela de traba, diente ext.	M6	1
77	PM2000B-277	Puntero en ángulo		1
78	TS-2246122	Tornillo de cabeza de botón hueca	M6-1.0 x 12L	1
79	TS-1490051	Tornillo de cabeza hex	M8-1.25 x 30L	2
80	PM2000B-280	Pasador de rodillo		2
81	PM2000B-281	Perilla de traba		2
82	PM2000B-282	Manija		2
83	PM2000B-283	Volante		2
84	F010052L	Tornillo de presión de cabeza hueca CPP con trabarrosas	5/16"-18UNC x 5/16"	2
85	PM2000B-285	Collar		1
86	F010449L	Tornillo de presión de cabeza hueca CPP con trabarrosas	M5-0.8 x 5L	2
87	PM2000B-287	Arandela de nilón	19.1 x 25.4 x 1.6T mm	4
88	5509207	Chaveta plana de cabeza redondeada doble	5 x 5 x 20mm	1
89	PM2000B-289	Chaveta Woodruff		2
90	PM2000B-290	Eje de volante de elevación		1
91	PM2000B-291	Buje		1
92	PM2000B-292	Eje sinfn		2
93	F012076	Pasador de rodillo	5 x 30 mm	2
94	PM2000B-294	Eje de volante de inclinación		1
95	5783961	Chaveta plana de cabeza redondeada doble	5 x 5 x 18mm	1
96	PM2000B-296	Base de eje sinfn de inclinación		1
97	TS-2361081	Arandela de traba	M8	2
98	TS-1504061	Tornillo de cabeza hueca	M8-1.25 x 30L	2
99	PM2000B-299	Soporte		1
100	PM2000B-2100	Tornillo Phillips de aterrajado de cabeza hueca	M3-1.06 x 6L	2

No. de índice	No. de pieza	Descripción	Tamaño	Cant.
101	F001208	Tornillo Phillips de cabeza redondeada para metal...	M5-0.8 x 8L	2
102	TS-2171012	Tornillo Phillips con cabeza redondeada para metal...	M4-0.7 x 6L	2
103	PM2000B-2103	Disco de inducción		1
104	PM2000B-2104	Collar		1
105	F010418L	Tornillo de presión de cabeza hueca CPP con trabarrosas	M10-1.25 x 25L	2
106	TS-1491031	Tornillo de cabeza hex	M10-1.5 x 25L	8
107	PM2000B-2107	Conjunto de interruptor magnético	3HP 230V 60Hz monofásica	1
	PM2000B-2107OR	Relé de sobrecarga	NTH14	1
	PM2000B-2107A	Conjunto de interruptor magnético	5HP 230 V 60 Hz monofásica	1
	PM2000B-2107AOR	Relé de sobrecarga	NTH21	1
	PM2000B-2107B	Conjunto de interruptor magnético	5HP 230 V/460 V 60 Hz trifásica	1
	PM2000B-2107BOR	Relé de sobrecarga (230 V)	NTH15	1
	PM2000B-2107BORA	Relé de sobrecarga (460 V)	NTH8	1
108	PM2000B-2108	Llave de seguridad		1
109	PM2000B-2109	Placa de interruptor		1
110	PM2000B-2110	Aliviador de tensión (3 HP, monofásica)	SR-7R3	2
	PM2000B-2110A	Aliviador de tensión (5 HP, monofásica y 5 HP, trifásica)	SR-8R3	2
111	PM2000B-2111	Aliviador de tensión (3 HP, monofásica y 5 HP, monofásica)	MGB16-10B	1
	PM2000B-2111A	Aliviador de tensión (5 HP, trifásica)	MGB16-10B	2
112	PM2000B-2112	Cable de motor	SJT 12AWG x 3C x 1900mm	1
	PM2000B-2112A	Cable de motor	SJT 10 AWG x 3C x 1900mm	1
	PM2000B-2112B	Cable de motor	SJT 10 AWG x 3C x 1900mm	1
113	PM2000B-2113	Cable de alimentación	SJT 12 AWG x 3C x 2000mm	1
	PM2000B-2113A	Cable de alimentación	SJT 10 AWG x 3C x 2000mm	1
	PM2000B-2113B	Cable de alimentación	SJT 12 AWG x 4C x 2000mm	1
114	PM2000B-2114	Cable de DRO	SJT 18 AWG x 2C x 1400mm	1
115	PM2000B-2115	Cable de transformador	SJT 18 AWG x 3C x 2100mm	1
116	PM2000B-2116	Tornillo Phillips de aterrajado con cabeza redondeada	M5-2.12 x 25	2
117	PM2000B-2117	Llave de Árbol (no se muestra)		1

14.3.1 PM2000B Conjuntos de protector de hoja y calibre de inglete – Vista desarrollada

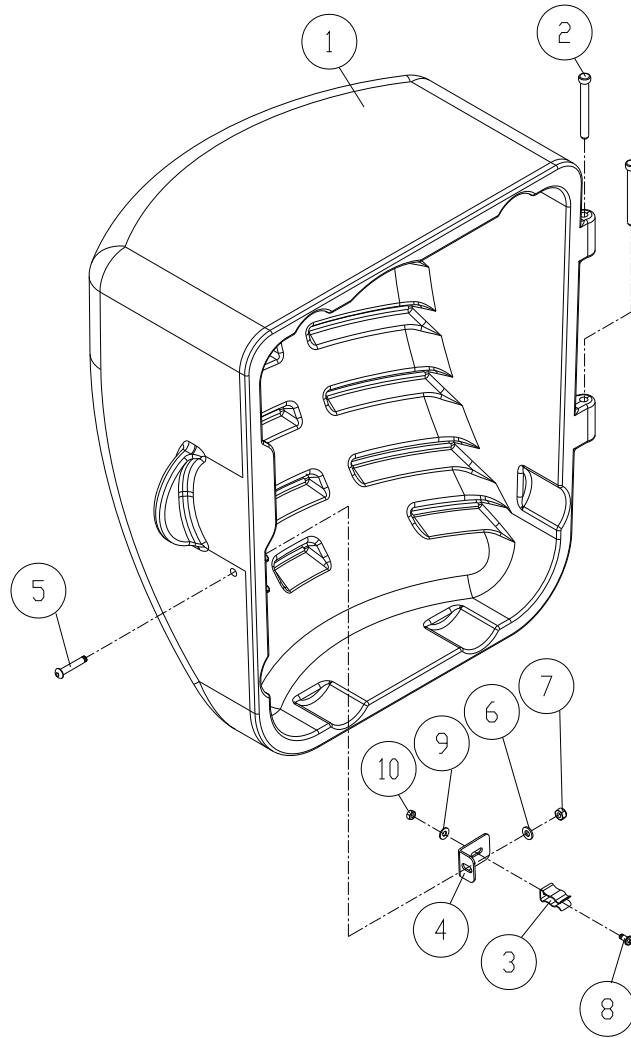


14.3.2 PM2000B Conjuntos de protector de hoja y calibre de inglete – Lista de piezas

No. de índice	No. de pieza	Descripción	Tamaño	Cant.
	PM2000B-BGAB	Conjunto de protector de hoja (incluye #1-9, 13-17, 48-50, 55, 56) *		1
1	TS-1541021	Tuerca hex de traba de nilón	M6-1.0	8
2	PM2000B-302B	Blindaje lateral de protector de hoja		2
3	PM2000B-303	Arandela plana delgada	6.7 x 16 x 1.0T	4
4	PM2000B-304	Varillaje		4
5	TS-1534051	Tornillo Phillips de cabeza plana para metal	M6-1.0 x 16L	8
6	TS-1550041	Arandela plana	6.7 x 16 x 2.0T	6
7	TS-2284081	Tornillo Phillips de cabeza plana para metal	M4-0.7 x 8L	2
8	PM2000B-308	Protector de mirilla superior		1
9	TS-1532032	Tornillo de cabeza plana Phillips	M4-0.7 x 10L	2
10	F006090	Anillo de retención en E	ETW-7	2
11	TS-1541011	Tuerca hex de traba de nilón	M5-0.8	4
12	PM2000B-312B	Resorte de compresión		1
13	6286494	Tornillo de cabeza plana Phillips	M5-0.8 x 6L	5
14	1014960	Pasador de rodillo	5 x 40mm	1
15	PM2000B-315B	Cuerpo de protector de hoja		1
16	PM2000B-316B	Blindaje delantero		1
17	3P12314	Pasador de rodillo	5 x 32mm	1
	PM2000B-APAB	Conjunto de fiadores antirretroceso (incluye #10-12,18-20, 23-24, 51-54)		1
18	TS-1550031	Arandela plana	5.3 x 12 x 1.0T	2
19	PM2000B-319B	Fiador antirretroceso izquierdo		1
20	PM2000B-320	Tornillo de cabeza plana Phillips	M5-0.8 x 30L	1
23	PM2000B-323B	Fiador antirretroceso derecho		1
24	PM2000B-324B	Pasador de traba de fiador antirretroceso		1
25	PM2000B-325B	Separador	2.3mm thk	1
	PM2000B-MGA	Conjunto de calibre de inglete (incluye #26 thru 47)		1
26	PM2000B-326	Perilla		1
27	TS-1550061	Arandela plana	8.5 x 23 x 2.0T	1
28	PM2000B-328	Guía de corte		1
29	TS-0050051	Tornillo de cabeza hex	1/4"-20UNC x 1"	2
30	PM2000B-330	Cuerpo de calibre de inglete hoja		1
31	PM2000B-331	Palanca universal		2
32	PM2000B-332	Pasador		1
33	F010450	Tornillo de presión de cabeza hueca CPP	M8-1.25 x 5L	2
34	PM2000B-334	Barra de inglete		1
35	PM2000B-335	Arandela de guía		1
36	F001220	Tornillo Phillips de cabeza plana para metal	M6-1.0 x 8L	1
37	TS-0810012	Tornillo de cabeza redondeada para metal	#10-24 x 1/4"L	1
38	TS-1550031	Arandela plana	5.2 x 10 x 1.0T	1
39	PM2000B-339	Puntero		1
40	PM2000B-340	Piñón		1
41	PM2000B-341	Resorte de compresión		1
42	PM2000B-342	Cubo de eje de piñón		1
43	PM2000B-343	Eje		1
44	TS-1521011	Tornillo de presión de cabeza hueca	M4-0.7P x 4L	1
45	PM2000B-345	Perilla		1
46	TS-1502011	Tornillo de cabeza hueca	M5-0.8P x 8L	2
47	PM2000B-347	Escala		1
48	PM2000B-348	Soporte de pasador de traba izquierdo		2
49	PM2000B-349	Soporte de pasador de traba derecho		2
50	PM2000B-350	Perilla de traba		1
51	PM2000B-351	Soporte de fiador		1
52	PM2000B-352	Resorte de torsión derecho		1
53	PM2000B-353	Resorte de torsión izquierdo		1
54	PM2000B-354	Pasador sólido		1
55	LM000309B	Etiqueta de advertencia - Protector de hoja		1
56	PM2000B-356B	Pasador de traba de separador		1

* Para modelos con número de serie 1911PM2000B1308 y superior

14.4.1 PM2000B Conjunto de cubierta de motor – Vista desarrollada

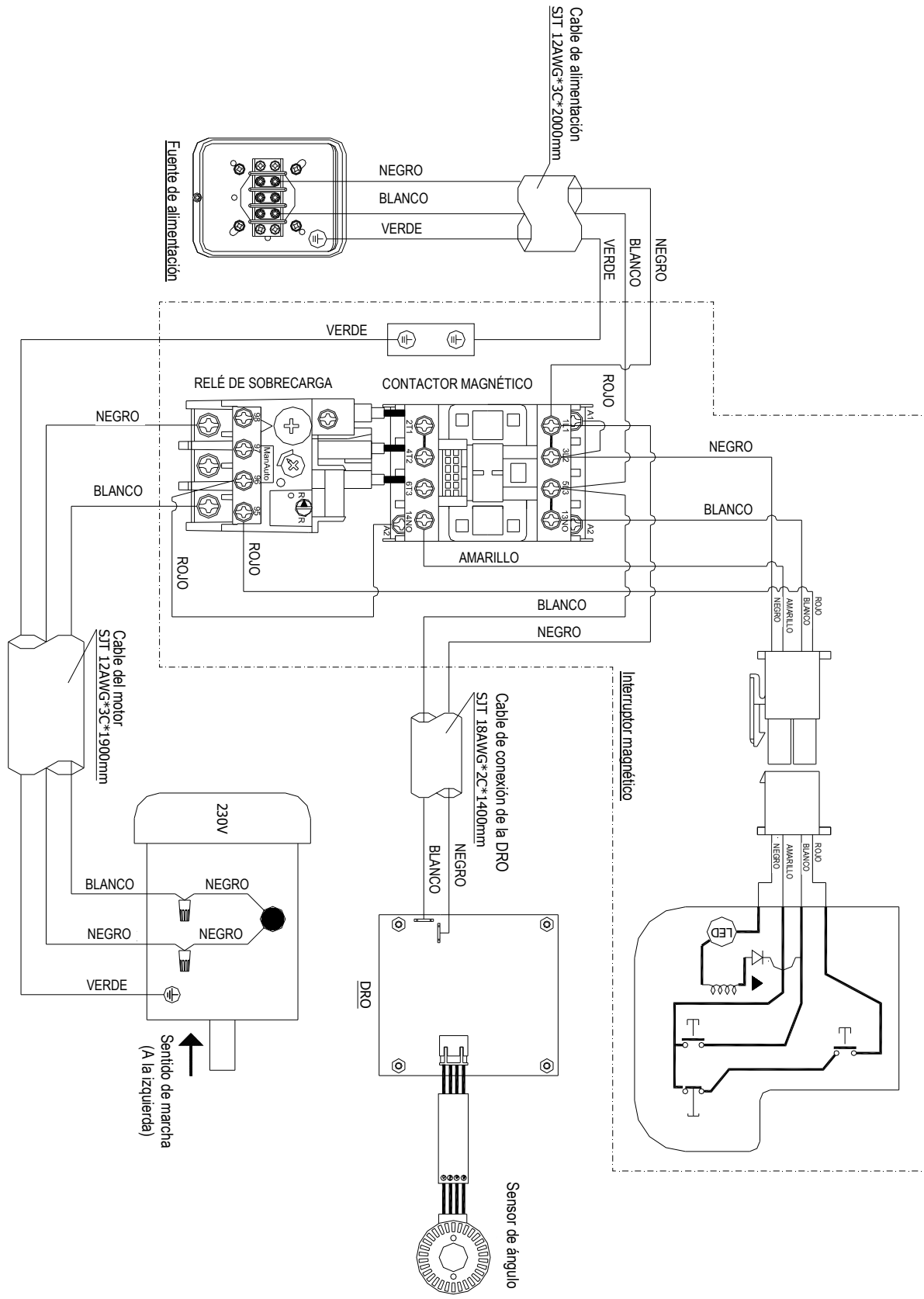


14.4.2 PM2000B Conjunto de cubierta de motor – Lista de piezas

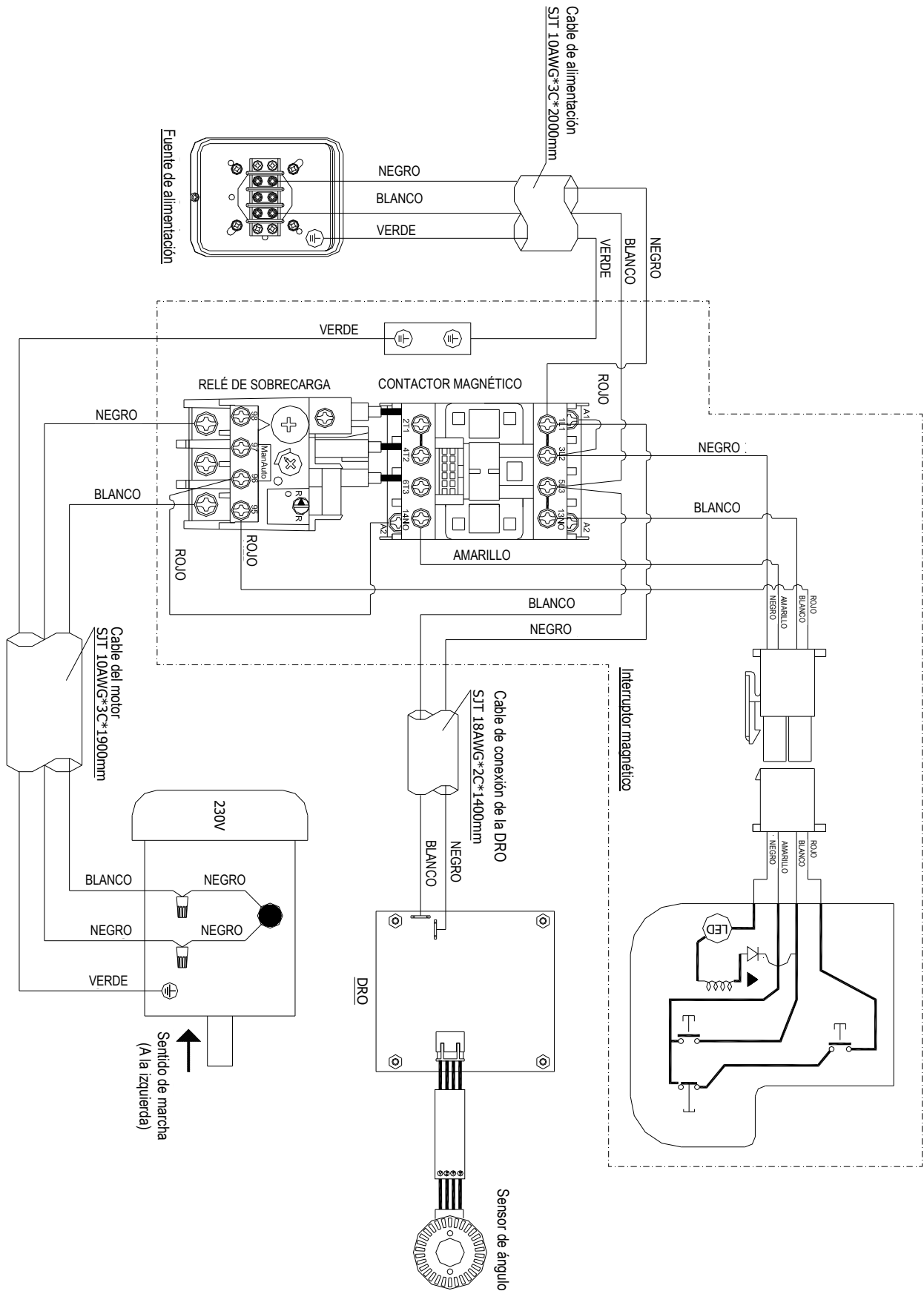
No. de índice	No. de pieza	Descripción	Tamaño	Cant.
.....	6827044B	Conjunto de cubierta de motor (incluye 1 a 10)		1
1	PM2000B-401	Cubierta de motor		1
2	PM2000B-402	Pasador articulado		2
3	PM2000B-403	Abrazadera de resorte		1
4	PM2000B-404	Retenedor de sujeción		1
5	TS-2246302	Tornillo de botón de cabeza hueca	M6-1.0 x 30L	1
6	TS-1550041	Arandela plana	6.2 x 13 x 1.5T mm	1
7	TS-1541021	Tuerca hex de traba de nilón	M6-1.0	1
8	TS-1533032	Tornillo Phillips de cabeza redondeada para metal	M5-0.8 x 10L	1
9	TS-1550031	Arandela plana	5.3 x 12 x 1.0T mm	1
10	TS-1540031	Tuerca hexagonal	M5-0.8	1

15.0 Conexiones eléctricas

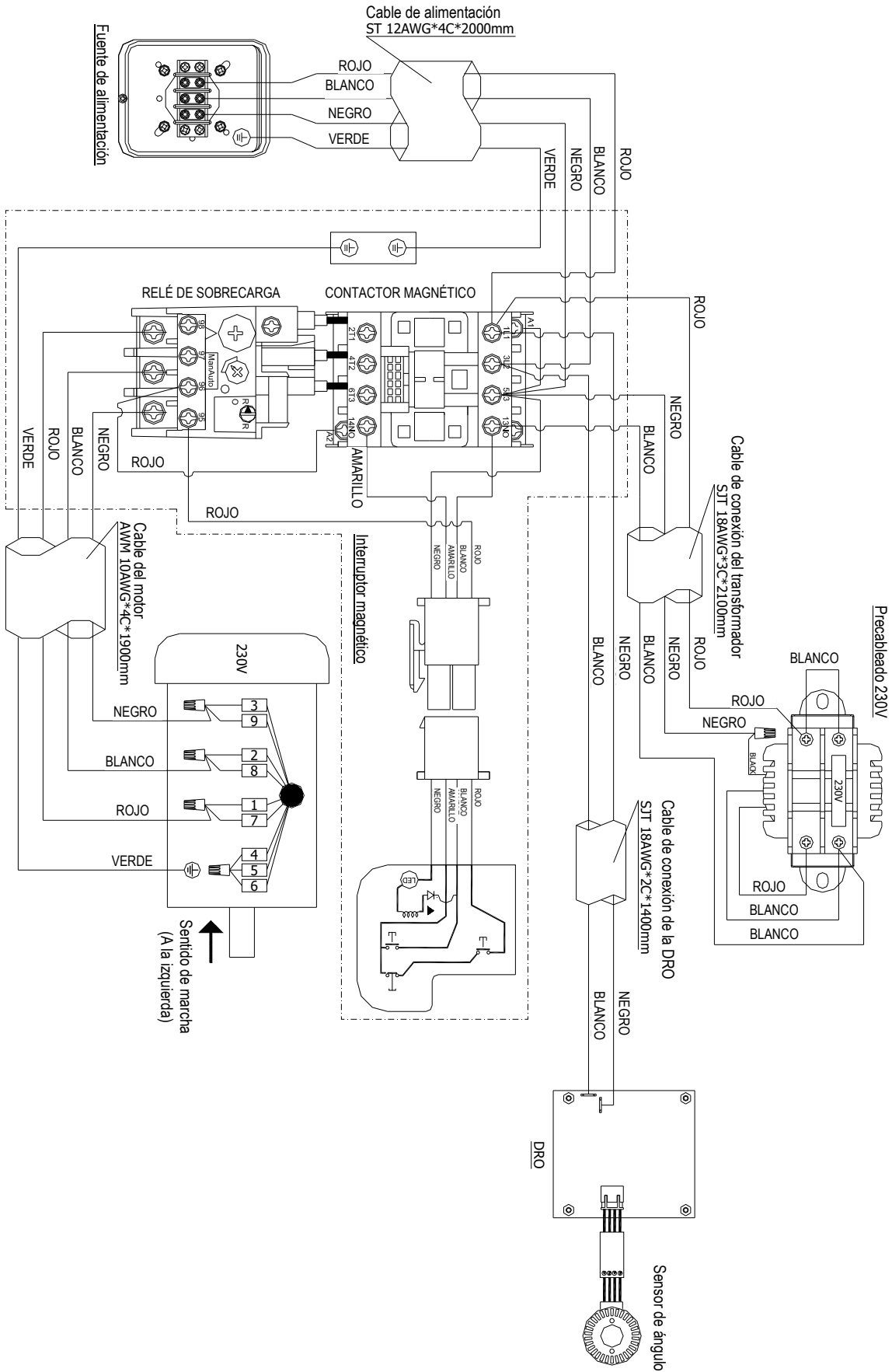
15.1 PM2000B Diagrama de conexiones – 3 HP, 230 V, monofásica



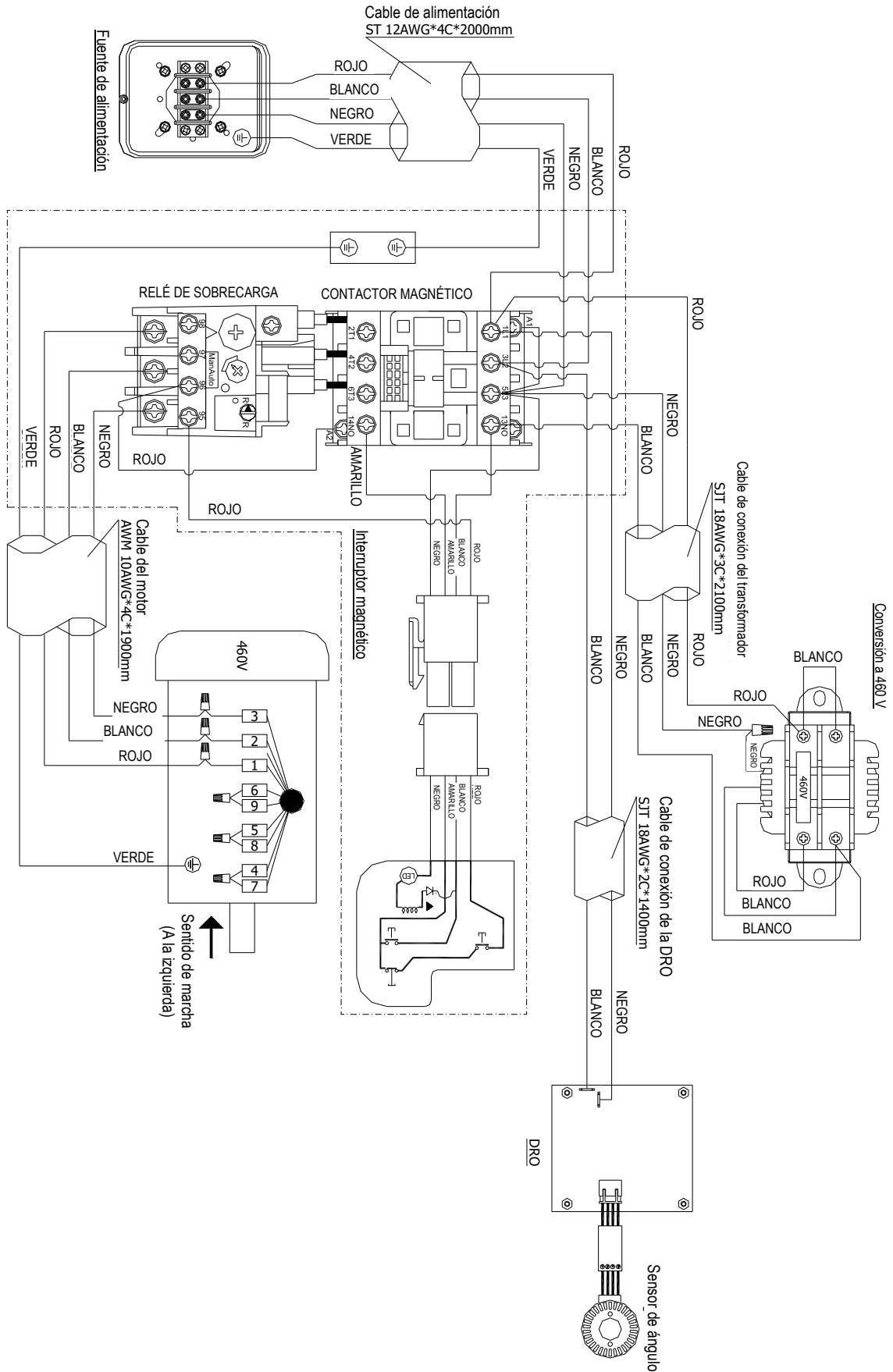
15.2 PM2000B Diagrama de conexiones – 5 HP, 230 V, monofásica



15.3 PM200B Diagrama de conexiones – 5 HP, 230 V, trifásica



15.4 PM200B Diagrama de conexiones – 5 HP, 460V, trifásica



16.0 Garantía y servicio

Powermatic® garantiza que todos los productos que vende no tienen defectos de fabricante. Si una de nuestras herramientas necesita servicio o reparación, póngase en contacto con Servicio Técnico llamando al 1-800-274-6846, 8 de la mañana a 5 de la tarde, Hora Central, de lunes a viernes.

Período de garantía

La garantía general dura el tiempo especificado en las publicaciones incluidas con su producto o en el sitio web oficial de la marca Powermatic.

- Los productos Powermatic tienen una garantía limitada cuya duración varía según el producto. (Vea la tabla siguiente)
- Los accesorios tienen una garantía limitada de un año después de la fecha de recepción.
- Los artículos de consumo se definen como piezas o accesorios fungibles que se espera que no puedan operar después de una cierta cantidad de uso razonable y están cubiertos por una garantía limitada de 90 días contra defectos de fabricación.

Quién está cubierto

Esta garantía cubre solo al comprador inicial del producto a partir de la fecha de entrega.

Qué está cubierto

Esta garantía cubre los defectos de fabricación o materiales sujetos a las limitaciones indicadas arriba. Esta garantía no cubre fallas debido directa o indirectamente a uso indebido, abuso, negligencia o accidentes, desgaste normal, reparación indebida, alteraciones o falta de mantenimiento. La maquinaria de carpintería de Powermatic está diseñada para utilizarse con madera. El empleo de estas máquinas en el procesamiento de metal, plástico u otros materiales fuera de las guías recomendadas puede anular la garantía. Las excepciones son artículos acrílicos y otros artículos naturales hechos específicamente para tornejar madera.

Limitaciones de la garantía

Los productos de carpintería con una garantía de cinco años que se usen para fines comerciales o industriales pasan de forma predeterminada a una garantía de dos años. Póngase en contacto con Servicio Técnico llamando al 1-800-274-6846 para obtener aclaraciones adicionales.

Cómo obtener apoyo técnico

Póngase en contacto con Servicio Técnico llamando al 1-800-274-6846. **Observe que se le va a pedir que proporcione una prueba de comprar inicial al llamar.** Si un producto requiere una inspección adicional, el representante de Servicio Técnico le explicará y ayudará con cualquier acción adicional necesaria. Powermatic dispone de centros de servicio autorizados en todo Estados Unidos. Para obtener el nombre de un centro de servicio autorizado en su área, llame al 1-800-274-6846 o use el localizador de centros de servicio en el sitio web de Powermatic.

Información adicional

Powermatic está añadiendo constantemente productos nuevos. Para obtener información completa y actualizada de un producto, pregunte a su distribuidor local o visite el sitio web Powermatic.

Cómo se aplica la ley estatal

Esta garantía le da derechos legales específicos sujetos a la ley estatal correspondiente.

Limitaciones de esta garantía

POWERMATIC LIMITA TODAS LA GARANTÍAS IMPLÍCITAS AL PERÍODO DE GARANTÍA LIMITADA POR CADA PRODUCTO. EXCEPTO SEGÚN SE INDICA AQUÍ, SE EXCLUYE CUALQUIER GARANTÍA IMPLÍCITA DE COMERCIALIZACIÓN E IDONEIDAD PARA UN CIERTO FIN. ALGUNOS ESTADOS NO PERMITEN LIMITACIONES SOBRE LA DURACIÓN DE LA GARANTÍA IMPLÍCITA, POR LO QUE LA LIMITACIÓN DE ARRIBA TAL VEZ NO CORRESPONDA A SU CASO.

POWERMATIC NO DEBE EN NINGÚN CASO SER RESPONSABLE DE LA MUERTE, DE LAS LESIONES DE PERSONAS O DE DAÑOS MATERIALES, O DAÑOS INCIDENTALES, CONTINGENTES, ESPECIALES O INDIRECTOS QUE SEA CONSECUENCIA DEL EMPLEO DE NUESTROS PRODUCTOS. ALGUNOS ESTADOS NO PERMITEN LA EXCLUSIÓN O LA LIMITACIÓN DE DAÑOS INCIDENTALES O INDIRECTOS, POR LO QUE LA LIMITACIÓN DE ARRIBA TAL VEZ NO SE APLIQUE A SU CASO.

Powermatic vende a través de distribuidores solamente. Las especificaciones indicadas en los materiales impresos de Powermatic y en el sitio web oficial de Powermatic se indican como información general y no son vinculantes. Powermatic se reserva el derecho de efectuar en cualquier momento, sin aviso previo, aquellas modificaciones en piezas, conexiones y equipos accesorios que puedan parecer necesarios por cualquier motivo.

Lista de productos con período de garantía

90 días – Piezas; artículos de consumo
1 año – Motores, accesorios de máquina
2 años – Maquinaria de carpintería usada para fines industriales o comerciales
5 años – Maquinaria de carpintería

NOTA: Powermatic es una división de JPW Industries, Inc. Las referencias en este documento a Powermatic también se aplican a JPW Industries, Inc., o a cualquiera de sus sucesores que sean de interés para la marca Powermatic.

Esta página se ha dejado en blanco de forma intencionada.

Esta página se ha dejado en blanco de forma intencionada.



427 New Sanford Road
LaVergne, Tennessee 37086
Teléfono: 800-274-6848
www.powermatic.com

POWERMATIC®

Manuel d'instructions d'utilisation et de pièces **Scie d'ébéniste de 10 pouces** **MODÈLE PM2000B**



Illustré avec un ensemble
de guide de 30 pouces

Pour les modèles avec numéro de série. 1911PM2000B1308 et supérieur

Powermatic
427 Rue New Sanford
LaVergne, Tennessee 37086
Tél. : 800-274-6848
www.powermatic.com

Pièce No M-PM231B
4ème édition 09/2019
ECR 190517174815
Tous droits réservés © 2017 Powermatic



1.0 DIRECTIVES IMPORTANTES SUR LES MESURES DE SÉCURITÉ

LIRE TOUTES LES INSTRUCTIONS AVANT
D'UTILISER CETTE MACHINE.

AVERTISSEMENT - Pour réduire les risques de blessures :

1. Assurez-vous de lire et de comprendre tout le manuel du propriétaire avant de tenter l'assemblage ou l'utilisation.
2. Assurez-vous de lire et de comprendre les avertissements apposés sur l'appareil et dans ce manuel. Le non-respect des tous ces avertissements peut causer des blessures graves.
3. Remplacez les étiquettes d'avertissement si elles sont obscurcies ou retirées.
4. Ce banc de scie est conçu et destiné à être utilisé uniquement par du personnel formé et expérimenté. Si vous n'êtes pas familier avec le fonctionnement adéquat et sécuritaire d'un banc de scie, ne l'utilisez pas jusqu'à ce que vous ayez obtenu une formation et plus de connaissances.
5. N'utilisez pas ce banc de scie à toute autre fin que celle prévue. Si celui-ci est utilisé à d'autres fins, Powermatic renonce à toute garantie réelle ou implicite et se dégage de toute responsabilité en cas de blessure résultant de cette utilisation.
6. Portez toujours des lunettes de sécurité approuvées ou un écran facial lorsque vous utilisez ce banc de scie. Les lunettes de tous les jours n'ont que des lentilles résistantes aux impacts; elles ne sont pas des lunettes de protection.
7. Avant d'utiliser ce banc de scie, enlevez toute cravate, bague, montre, et autre bijou, et remontez vos manches jusqu'au-dessus des coudes. Ne pas porter de vêtements lâches. Attacher les cheveux longs. Il est recommandé d'utiliser des chaussures antidérapantes ou des bandes antidérapantes. **Ne** portez **pas** de gants.
8. Portez des protecteurs antibruit (bouchons ou casque) pendant des périodes de fonctionnement prolongées.
9. N'utilisez pas cette machine lorsque vous êtes fatigué ou sous l'influence de drogues, d'alcool ou de tout médicament.
10. Assurez-vous que la machine est adéquatement mise à la terre.
11. Effectuez tous les réglages ou entretiens de la machine en l'ayant débranchée de la source d'alimentation. Une machine en réparation devrait être ÉTIQUETTÉE ROUGE pour montrer qu'elle ne doit pas être utilisée jusqu'à ce que l'entretien soit terminé.
12. Retirez les clés et les outils de réglage. Ayez l'habitude de vérifier si les clés et les outils de réglage sont retirés de la machine avant de la mettre en marche.
13. Conservez les protecteurs de sécurité en place en tout temps lorsque la machine est en marche. Si elles sont retirées pour des raisons d'entretien, faites preuve d'une extrême prudence et remplacez les protecteurs dès que l'entretien est terminé.
14. Vérifiez l'alignement du couteau séparateur, du guide et de la fente de l'onglet avec la lame. Un autocollant de mise en garde est installé sur chaque protecteur pour faire rappeler à l'opérateur les dangers d'un fonctionnement inadéquat de la machine.
15. Vérifiez s'il y a des pièces endommagées. Avant d'utiliser la machine, un protecteur ou toute autre pièce ayant été endommagée devrait être vérifiée soigneusement afin de déterminer si elle pourra fonctionner adéquatement et exécuter ses fonctions prévues. Vérifiez l'alignement des pièces mobiles, le coincement des pièces mobiles, le bris de pièces ou de montage et toute autre condition qui pourrait affecter son fonctionnement. Un protecteur ou une autre pièce qui est endommagée devrait être adéquatement réparée ou remplacée.
16. Prévoyez un espace adéquat autour de la zone de travail et un l'éclairage par le haut qui soit non éblouissant.
17. Conservez le sol autour de la machine, propre et dépourvu de déchets, d'huile et de graisse.
18. Gardez les visiteurs à une distance sécuritaire de la zone de travail. Gardez les enfants loin.
19. Faites de votre atelier un endroit sécuritaire pour les enfants avec des cadenas, des interrupteurs généraux ou en retirant les clés de sûreté.
20. Accordez toute votre attention à votre travail. Regarder tout autour, tenir une conversation et se chamailler sont des gestes négligents qui peuvent entraîner des blessures graves.
21. Maintenez une position équilibrée en tout temps pour ne pas tomber ou s'appuyer sur la lame ou sur d'autres pièces mobiles. Ne vous étirez pas ou n'utilisez pas une force excessive pour faire fonctionner la machine.

22. Utilisez le bon outil à la bonne vitesse et à la bonne alimentation. Ne forcez pas un outil ou une pièce qui y est jointe afin de faire un travail pour lequel il ou elle n'a pas été conçu(e). Le bon outil rendra le travail meilleur et plus sécuritaire.
23. Utilisez les accessoires recommandés; des accessoires inadéquats pourraient être dangereux.
24. Maintenez les outils avec soin. Gardez la lame bien aiguisée et nettoyée pour obtenir les performances les meilleures et les plus sûres. Suivez les instructions pour lubrifier et modifier les accessoires.
25. Vérifiez la lame de scie pour s'assurer qu'il n'y ait pas de fissures ou de dents manquantes. N'utilisez pas une lame fissurée ou usée ou une lame qui ait une dent manquante ou un ensemble inadéquat. Assurez-vous que la lame est bien verrouillée sur l'arbre.
26. Gardez les mains loin de la zone de la lame. Ne dépassez pas la lame pour récupérer des pièces ou des bouts de bois lorsque la lame de la scie est en marche. Ne sciez jamais à main levée. Évitez les opérations maladroites et les positions de mains où un glissement soudain pourrait faire en sorte que vos mains viennent en contact avec la lame.
27. N'essayez pas de scier des panneaux contenant des nœuds lâches ou des clous ou d'autres matériaux étrangers, sur leur surface. Ne tentez pas de scier des matériaux tordus, gauchis ou courbés, sauf si un bord a été assemblé à des fins de guidage avant le sciage. N'utilisez pas de matériaux excessivement gauchis.
28. Ne tentez pas de scier de longs ou larges panneaux sans appui lorsque le gauchissement ou le poids pourrait faire bouger les panneaux.
29. Utilisez toujours le couteau séparateur, le protecteur de lame, le poussoir et d'autres dispositifs de sécurité pour toutes les opérations durant lesquelles ils pourraient être utilisés. Lors d'opérations telles que le rainurage ou le moulage où le protecteur de lame ne peut pas être utilisé, un guide de coupe, des dispositifs de serrage et d'autres dispositifs de sécurité et soyez extrêmement prudent. Réinstallez le couteau séparateur et le protecteur de lame immédiatement après avoir terminé l'opération qui nécessitait leur retrait.
30. Assurez-vous que la lame de la scie tourne dans le sens des aiguilles d'une montre lorsqu'elle est vue du côté du moteur (côté gauche) de la machine.
31. Éteignez la machine avant de la nettoyer. Utilisez un pinceau ou de l'air comprimé afin de retirer les copeaux ou les débris, ne les retirez pas à mains nues.
32. Ne vous tenez pas debout sur la machine. Des blessures graves peuvent survenir si la machine se renverse.
33. Ne jamais laisser la machine fonctionner sans surveillance. Éteignez la machine ne la quittez pas jusqu'à ce qu'elle soit complètement arrêtée.
34. Retirer les pièces lâches et les pièces à travailler inutiles de la zone avant de démarrer la machine.
35. La lame doit avoir une exposition minimale lors des coupes. Ajustez la lame à environ 1/8 po au-dessus de la surface de la pièce à usiner.

⚠ AVERTISSEMENT: Ce produit peut vous exposer à des produits chimiques, y compris du plomb et du cadmium qui sont reconnus par l'État de Californie pour causer le cancer et malformations congénitales ou d'autres problèmes de reproduction, et ptalates qui sont reconnus par l'État de Californie pour causer des malformations congénitales ou d'autres problèmes de reproduction. Pour plus d'informations, visitez <http://www.p65warnings.ca.gov>.

⚠ AVERTISSEMENT: Forage, sciage, ponçage ou usinage de produits du bois génère de la poussière de bois et d'autres substances connues pour l'État de Californie pour causer le cancer. Évitez la poussière générée par l'inhalation de produits de bois ou d'utiliser un masque anti-poussière ou d'autres mesures de protection pour la protection personnelle.

Les produits du bois émettent des substances chimiques à l'État de Californie pour causer des malformations congénitales ou d'autres problèmes de reproduction. Para obtener más información, vaya a <http://www.p65warnings.ca.gov/wood>.

1.1 Rebond

Les accidents les plus courants parmi les utilisateurs de banc de scie, selon les statistiques, peuvent être attribués au rebond, à l'expulsion à grande vitesse du matériel à partir du banc qui peut frapper l'opérateur. Le rebond peut également faire en sorte que les mains de l'opérateur se fassent tirer jusqu'à la lame.

Prévention du rebond

Conseils pour éviter les causes les plus courantes de rebond :

- Assurez-vous que le couteau séparateur est toujours aligné avec la lame. Une pièce à travailler peut coincer ou arrêter la fluidité de la coupe si le couteau séparateur est mal aligné et cela pourrait entraîner un rebond.
- Utilisez un couteau séparateur à chaque coupe. Le couteau séparateur maintient le trait de scie dans la pièce à travailler, ce qui réduira le risque de rebond.
- Ne tentez jamais de coupes à main levée. La pièce à travailler doit être intégrée parallèlement à la lame, sinon un rebond se produira probablement. Utilisez toujours un guide longitudinal ou une jauge à onglets pour soutenir la pièce à travailler.
- Assurez-vous que le guide longitudinal est parallèle à la lame. Sinon, les chances de rebond sont très élevées. Prenez le temps de vérifier et d'ajuster la le guide longitudinal.
- Insérez les coupes jusqu'à la fin. Chaque fois que vous arrêtez d'insérer une pièce à travailler en cours de coupe, le risque de coincement, entraînant un rebond, augmente grandement.

Conseils pour la protection contre le rebond

Un rebond peut se produire même si des mesures sont prises pour le prévenir. Voici quelques astuces pour vous protéger si un rebond se *produit* :

- Placez-vous sur le côté de la lame lors de la coupe. Une pièce éjectée se déplace habituellement directement devant la lame.
- Portez des lunettes de protection ou un écran facial. Vos yeux et votre visage sont les parties les plus vulnérables de votre corps.
- Ne placez jamais votre main derrière la lame. Si le rebond se produit, votre main sera tirée vers la lame.
- Utilisez un poussoir pour garder vos mains plus éloignées de la lame mobile. Si un rebond se produit, le poussoir absorbera très probablement les dommages que votre main aurait reçus.

Familiarisez-vous avec les consignes de sécurité suivantes utilisées dans ce manuel :



ATTENTION Cela signifie que si les précautions ne sont pas respectées, cela pourrait entraîner des blessures mineures et/ou des dommages éventuels de la machine.



AVERTISSEMENT Cela signifie que si les précautions ne sont pas respectées, cela pourrait entraîner des blessures majeures ou possiblement fatales.

2.0 À propos de ce manuel

Ce manuel est fourni par Powermatic, couvrant les procédures de fonctionnement et d'entretien sécuritaires pour le modèle de scie d'ébéniste PM2000B de Powermatic. Ce manuel contient des instructions sur l'installation, les mesures de sécurité, les procédures générales d'utilisation, les instructions d'entretien et le détail des pièces. Votre machine a été conçue et construite afin d'offrir un fonctionnement constant et à long terme si elle est utilisée selon les instructions, tel qu'indiqué dans ce document.

Ce manuel ne se veut pas un guide exhaustif de méthodes de fonctionnement, d'utilisation de gabarits ou d'accessoires après-vente, de choix de matériaux pour bancs de scie, etc. Des connaissances supplémentaires peuvent être obtenues auprès d'utilisateurs expérimentés ou dans des articles commerciaux. Peu importe la méthode acceptée qui est utilisée, assurez-vous de faire de votre sécurité, une priorité.

Si vous avez des questions ou des commentaires, veuillez contacter votre fournisseur local ou Powermatic. Powermatic peut aussi être contacté sur notre site Web : www.powermatic.com.

Conservez ce manuel pour référence ultérieure. Si la machine change de propriétaire, le manuel devrait l'accompagner.



AVERTISSEMENT Assurez-vous de lire et de comprendre tout le contenu de ce manuel avant de tenter l'assemblage ou l'utilisation! Le non-respect des directives peut causer des blessures graves!

3.0 Table des matières

Section	Page
1.0 DIRECTIVES IMPORTANTES SUR LES MESURES DE SÉCURITÉ	2
1.1 Rebond	3
2.0 À propos de ce manuel	4
3.0 Table des matières	5
4.0 Terminologie du banc de scie	7
5.0 Caractéristiques pour le PM2000B	8
5.1 Configurations de l'ensemble	9
6.0 Configuration et assemblage	10
6.1 Contenu de l'expédition	10
6.2 Outils requis pour l'assemblage	10
6.3 Déballage et nettoyage	11
6.4 Installer les rallonges	11
6.5 Volant, boutons, leviers	12
6.6 Rails et guide	12
6.7 Capot du moteur	12
6.8 Insert du banc	13
6.9 Installer et démonter la lame	13
6.10 Installer l'ensemble de protection/couteau	13
6.11 Capteur de poussière	15
7.0 Connexions électriques	15
7.1 INSTRUCTIONS DE MISE À LA TERRE	15
7.2 Conversion de tension (modèle triphasé uniquement)	15
7.3 Rallonges	16
7.4 Commutateur magnétique et clé de sûreté	16
8.0 Ajustements	17
8.1 Outils requis pour les ajustements	17
8.2 Alignement du guide	17
8.3 Levage et inclinaison de la lame	17
8.4 Mécanisme de roulettes	17
8.5 Jauge à onglets	17
8.6 Réglage de la butée d'inclinaison de la lame	18
8.7 Alignement du couteau séparateur	19
8.8 Alignement du banc avec la lame	20
8.9 Ajustement de la courroie	21
8.10 Calibration et utilisation du DRO	21
9.0 Fonctionnement	22
10.0 Dispositifs de sécurité	26
10.1 Guide de coupe	26
10.2 Poussoir et bloc-poussoir	26
11.0 Entretien par l'utilisateur	28
11.1 Inspection générale	28
11.2 Nettoyage	28
11.3 Lubrification	28
11.4 Démontage de l'arbre et des roulements de l'arbre	28
11.5 Entretien supplémentaire	28
12.0 Accessoires en option	29
13.0 Dépannage de la scie d'ébéniste PM2000B	30
13.1 Problèmes moteurs et électriques	30
13.2 Problèmes mécaniques et opérationnels	31
14.0 Pièces de rechange	32
14.1.1 PM2000B Ensemble du banc et de l'armoire I – Vue éclatée	33
14.1.2 PM2000B Ensemble du banc et de l'armoire II – Vue éclatée	34
14.1.3 PM2000B Ensemble du banc et de l'armoire – Liste de pièces	35
14.2.1 PM2000B Ensemble du moteur et du tourillon I – Vue éclatée	38
14.2.2 PM2000B Ensemble du moteur et du tourillon II – Vue éclatée	39
14.2.3 PM2000B Ensemble du moteur et du tourillon – Liste de pièces	40
14.3.1 PM2000B Ensembles du protecteur de lame et de la jauge à onglets – Vue éclatée	43

14.3.2	PM2000B Ensembles du protecteur de lame et de la jauge à onglets – Liste de pièces.....	44
14.4.1	PM2000B Ensemble du capot du moteur – Vue éclatée.....	45
14.4.2	PM2000B Ensemble du capot du moteur – Liste de pièces.....	45
15.0	Connexions électriques.....	46
15.1	PM2000B Schéma de câblage – 3HP, 230V, 1PH	46
15.2	PM2000B Schéma de câblage – 5HP, 230V, 1PH	47
15.3	PM2000B Schéma de câblage – 5HP, 230V, 3PH	48
15.4	PM2000B Schéma de câblage – 5HP, 460V, 3PH	49
16.0	Garantie et entretien	50

4.0 Terminologie du banc de scie

Arbre : Arbre de métal qui relie le mécanisme d'entraînement à la lame.

Coupe pour bords biseautés : Inclinez la tige de scie et la lame entre 0 ° et 45 ° pour effectuer une opération de coupe inclinée.

Protecteur de lame : Mécanisme monté sur la lame de la scie pour éviter tout contact accidentel avec le bord tranchant.

Coupe transversale : Opération de sciage dans laquelle la jauge à onglets est utilisée pour couper le grain de la pièce à travailler.

Lame pour rainures : Lame(s) utilisée(s) pour la coupe de rainures et de râblures. Un jeu de scies circulaires doubles à rainer peut être utilisé pour des rainures plus larges.

Coupe avec rainures : Une rainure à fond plat dans la face de la pièce à travailler fait avec une lame pour rainures.

Guide de coupe : Dispositif utilisé pour garder une planche contre le guide longitudinal ou le banc de scie, permettant à l'opérateur de garder les mains éloignées de la lame de la scie.

À main levée : Déplacer la pièce dans la lame en utilisant uniquement les mains, sans dispositif de positionnement fixe. (Ceci est une procédure dangereuse et inacceptable : utilisez **toujours** les dispositifs appropriés pour déplacer la pièce à travailler à travers la lame de la scie pendant les opérations de coupe.)

Trait de scie : La coupe ou l'espace qui en découle, fait par une lame de scie.

Rebond : Un événement lors duquel la pièce à travailler est soulevée et renversée vers un opérateur, provoqué lorsqu'une pièce se coince sur la lame de la scie ou entre la lame et le guide longitudinal (ou autre objet fixe). Afin de minimiser ou prévenir les blessures causées par des rebonds, reportez-vous à la section *Fonctionnement*.

Jauge à onglets : Un composant qui contrôle le mouvement de la pièce à travailler tout en effectuant une coupe transversale de différents angles.

Coupe non traversante : Une opération de sciage qui nécessite le retrait du protecteur de lame et du couteau séparateur, ce qui entraîne une coupe qui ne dépasse pas le haut de la pièce à travailler (y compris les rainures et les râblures).

Le protecteur de lame et le couteau séparateur doivent être réinstallés après avoir effectué une coupe non traversante afin d'éviter un contact

accidentel avec la lame de la scie lorsqu'elle est en fonction.

Parallèle : Position guide longitudinal à distance égale de chaque point sur la face latérale de la lame de la scie.

Perpendiculaire : Intersection de 90 ° (angle droit) ou position du plan vertical et horizontal telle que la position de la lame de la scie (verticale) sur la surface de la table (horizontale).

Panneau pousoir/pousoir : Un instrument utilisé pour pousser en toute sécurité la pièce à travailler tout au long de l'opération de coupe en gardant les mains de l'opérateur à distance.

Râblures : Une opération de coupe qui crée un canal en forme de L le long du bord du panneau.

Coupe en long : Une coupe faite le long du grain de la pièce à usiner.

Couteau séparateur : Une plaque de métal fixée par rapport à la lame, qui se déplace avec la lame lorsque la profondeur de coupe est ajustée. Ainsi, elle maintient non seulement l'ouverture du trait de scie dans la pièce à travailler, mais aussi la distance entre le couteau et la lame. Un couteau de coupe à *profil bas* se trouve plus bas que le bord supérieur de la lame, pour faire une coupe non traversante.

Fendeuse (Épandeuse) : Une plaque de métal fixe sur laquelle est fixé le protecteur de lame qui maintient l'ouverture du trait de scie dans la pièce à travailler lors d'une opération de coupe. (Les bancs de scie Powermatic utilisent plutôt le système de couteau séparateur supérieur.)

Trait de scie standard : Un espace de 1/8 po fait par une lame standard.

Bordure droite : Un outil utilisé pour vérifier qu'une surface est plane ou parallèle.

Sciage traversant : Une opération de sciage durant laquelle l'épaisseur de la pièce est complètement sciée. Une hauteur adéquate de lame permet habituellement un espace de 1/8 po à partir du haut de la lame afin de pouvoir dépasser le bois. Gardez le protecteur de lame enfoncé, les linguets antireculs et le couteau séparateur en place sur la lame.

5.0 Caractéristiques pour le PM2000B

Tableau 1

Numéro du modèle	PM2000B		
Numéro des matériaux : scie seulement (voir le tableau 2 pour les configurations de l'ensemble)	PM231B	PM251B	PM253B
Moteur et électricité			
Type de moteur	Refroidi à l'aide d'un ventilateur dans un boîtier fermé, induction		
Chevaux-vapeur	3 HP	5 HP	5 HP
Phase du moteur	1 PH		3 PH
Tension du moteur	230 V		230/460 V ¹ (230 V précâblé)
Cycle	60 Hz		
Intensité maximale répertoriée	14,5 A	21 A	13 / 6,5 A
Vitesse du moteur	3450 TPM		
Ampères de départ	86	126	120
Ampères d'utilisation (sans charge)	4,9	4,8	6,5
Condensateur de démarrage	400 MFD 125 VAC	400MFD 250VAC	s.o.
Condensateur d'utilisation	40µF 350 VAC	30µF 500 VAC	s.o.
Transfert d'alimentation	Courroie Poly-V		
Interrupteur Marche/arrêt	Interrupteur magnétique, avec clé de sûreté		
Câble et prise d'alimentation	non fourni		
Taille du circuit recommandé ²	20 A	30 A	20 A
Émission sonore sans charge ³	84 dB at 100 cm; 89 dB at 50 cm		
Arbre et lame			
Diamètre de l'arbre	5/8 po (15.875 mm)		
Vitesse de l'arbre	4500 TPM		
Verrou de l'arbre	oui		
Clé de l'arbre	comprise		
Lame comprise	Ø10 po (254 mm), 0,079 po (2,0 mm) d'épaisseur, 0,118 po (3,0mm) de trait de scie, 40 T, AB, pointes de carbure		
Profondeur maximale de coupe à 90 degrés	3-1/8 po (80 mm)		
Profondeur maximale de coupe à 45 degrés	2-1/8 po (54 mm)		
Coupe en long maximale à la droite de la lame	30 po (762 mm) ou 50 po. (1270 mm)		
Coupe en long maximale à la gauche de la lame	13-1/2 po (343 mm)		
Largeur de rainure maximale	13/16 po (21 mm)		
Diamètre de rainure maximal	203 mm (203 mm)		
Inclinaison de la lame	Gauche, 0 ° à 45 °		
Table du banc de scie			
Dimensions de la table principale (L x l)	30-1/2 x 22 po (775 x 559 mm)		
Dimensions de la table avec les rallonges, (L x l)	30-1/2 x 42 po (775 x 1067 mm)		
Zone du banc devant la lame à hauteur maximale	11-1/4 po (286 mm)		
Surface du banc depuis le plancher, sans roulettes	35 po (889 mm)		
Rainure de fixation d'assemblage à onglet, l x P	2 rainures; 3/4 x 3/8 po (19 x 10 mm)		
Bord biseauté	Avant et arrière		
Dépoussiérage.			
Diamètre extérieur du capteur de poussière	4 po (101,6 mm)		
Volume d'extraction minimal recommandé	400 CFM (0,5 CMM)		

Matériaux principaux			
Table principale du banc de scie	fonte		
Insert du banc	aluminium		
Ailes de prolongement	fonte		
Caisson	acier		
Base	acier		
Tourillon central	fonte		
Bras de palier	fonte		
Poulies	acier		
Dimensions générales			
Encombrement de la base	23 x 28 po (584 x 711 mm)		
Assemblé, avec les ailes de prolongement seulement, L x l x H	42-5/8 x 32-3/4 x 40-3/8 po (1083 x 832 x 1026 mm)		
Assemblé, avec ensemble de guide de 30 po, L x l x H	66-3/4 x 39-1/8 x 40-3/8 po (1694 x 993 x 1026 mm)		
Assemblé, avec ensemble de guide de 50 po, L x l x H	84-3/4 x 39-1/8 x 40-3/8 po (2151 x 993 x 1026 mm)		
Élévation de la roulette (approximative)	3/4 po (19 mm)		
Dimensions à l'expédition, scie seulement, L x l x H	29-7/8 x 33 x 43-1/2 po (760 x 840 x 1105 mm)		
Poids			
Scie seulement – poids net	385 lb. (175 kg)	405 lb. (184 kg)	398 lb. (181 kg)
Scie seulement – poids à l'expédition	535 lb. (243 kg)	555 lb. (252 kg)	548 lb. (249 kg)

¹ Remarque : Pour un fonctionnement de 460 V, un relais de surcharge (No de pièce PM2000B-2107BORA) doit être acheté séparément et installé. Un électricien qualifié est recommandé.

² Sous réserve des codes électriques locaux/nationaux.

³ Les valeurs spécifiées sont des niveaux d'émission et n'ont pas nécessairement à être considérées comme étant des niveaux de fonctionnement sécuritaires. Comme les conditions de travail varient, ces informations sont destinées à permettre à l'utilisateur de mieux estimer les dangers et les risques qui sont impliqués uniquement.

L = longueur, l = largeur, H = hauteur, P = profondeur

s/o = sans objet

5.1 Configurations de l'ensemble

	Numéros des matériaux		
	PM231B	PM251B	PM253B
Scie seulement			
Scie avec un ensemble de guide de 30 pouces, rallonge de banc en bois	PM23130K	PM25130K	PM25330K
Scie avec un ensemble de guide de 50 pouces, rallonge de banc en bois	PM23150K	PM25150K	PM25350K
Scie avec un ensemble de guide de 50 pouces et un élévateur pour toupie	PM23150RK	PM25150RK	PM25350RK
Scie avec un ensemble de guide de 50 pouces et un établi	PM23150WK	PM25150WK	PM25350WK

Tableau 2

Les spécifications dans ce manuel étaient en vigueur au moment de la publication, mais en raison de notre politique d'amélioration continue, Powermatic se réserve le droit de modifier les spécifications à tout moment, et ce sans préavis et sans obligation de sa part.



AVERTISSEMENT S'assurer de lire et de comprendre tout le contenu de ce manuel avant de tenter l'installation ou l'utilisation. Le non-respect des directives peut causer des blessures graves.

6.0 Configuration et assemblage

6.1 Contenu de l'expédition

Voir la Figure 6-1.

Retirez toutes les boîtes d'accessoires de la palette d'expédition. Retirez les articles du caisson intérieur. Ne jetez pas le carton ni l'emballage jusqu'à ce que la scie soit assemblée et fonctionne de manière satisfaisante.

Comparer le contenu de votre conteneur avec la liste de pièces ci-dessous pour s'assurer que toutes les pièces sont intactes. Toute pièce manquante devrait être signalée au distributeur. (Vérifiez la scie en premier lieu, au cas où des pièces aient été préinstallées).

- 1 Scie d'ébéniste avec interrupteur – **A**
- 2 Ailes de prolongement en fonte – **B**
- 1 Ensemble de jauge à onglets – **C**
- 1 Couvercle du moteur avec broches de charnière – **D**
- 1 Poussoir – **E**
- 1 Clé de l'arbre – **F**
- 1 Poignée d'élévation de la roulette – **G**
- 2 Poignées – **H**
- 1 Volant – **J**
- 1 Bouton de blocage du volant – **K**
- 1 Protecteur de lame – **L**
- 1 Couteau séparateur à profil bas – **M**
- 1 Couteau séparateur – **N**
- 1 Ensemble ensemble de linguets antirecul – **O**
- 1 Insert du banc (préinstallé) – **P**
- 1 Lame (préinstallée)
- 1 Fiche d'enregistrement du produit
- 1 Manuel d'instructions d'utilisation et de pièces
- 1 Ensemble de quincaillerie

6.1.2 Ensemble de quincaillerie #PM2000B-HP

Voir la Figure 6-2.

- 6 Vis à tête hexagonale, M10x35 (**HP1**)
- 6 Rondelles de blocage M10 (**HP2**)
- 6 Rondelles plates M10 (**HP3**)

REMARQUE : Les ensembles de guide et de rails avec leurs attaches, ainsi que les rallonges en bois et les pieds avec leurs attaches, sont expédiés dans des boîtes séparées.

6.2 Outils requis pour l'assemblage

Clé hexagonale 2,5 mm
Clés ouvertes : 14 mm, 17 mm
Bordure droite
Maillet en caoutchouc (ou marteau avec bloc de bois)

Remarque : Une clé à cliquet avec douilles permettra un montage plus rapide. Des outils supplémentaires peuvent être nécessaires pour le montage du guide et des rails.

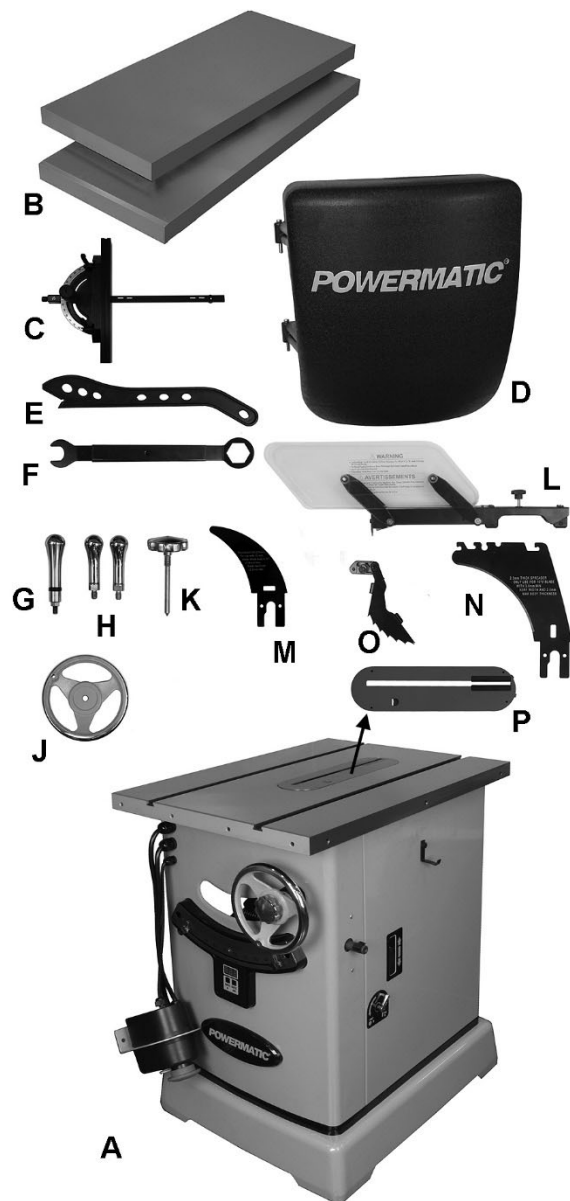


Figure 6-1 (éléments pas à l'échelle)

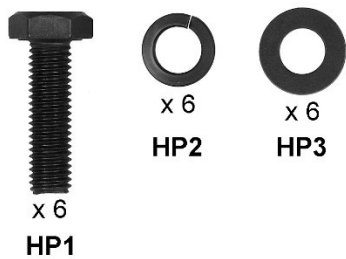


Figure 6-2 Ensemble de quincaillerie (PM2000B-HP)



La scie doit être déconnectée de l'alimentation pendant son assemblage. Le non-respect des directives peut causer des blessures graves.

6.3 Déballage et nettoyage

1. Utilisez un palan pour soulever la scie de la palette; ou enlevez les planches clouées qui maintiennent le caisson de la scie à la palette et faites glisser la scie hors de la palette sur le plancher. (Faites attention à ne pas endommager le système de roulettes en la faisant glisser hors de la palette.)
2. Le caisson de la scie doit être placé sur un sol stable, dans un endroit bien aéré et suffisamment éclairé. Prévoyez suffisamment d'espace autour de la machine pour montage des rallonges et des ensembles de rails, pour le chargement et le déchargement du stock, et pour les travaux d'entretien général.
3. Les surfaces métalliques exposées, comme le dessus du banc et les rallonges, ont été recouvertes en usine d'un revêtement protecteur. Il doit être enlevé à l'aide d'un chiffon doux imbibé de kérosène ou d'un nettoyant dégraissant. N'utilisez pas d'acétone, d'essence ou de diluant à peinture-laque à cette fin. N'utilisez pas de solvants sur les pièces en plastique, et évitez d'utiliser un tampon abrasif, car cela risque de rayer les surfaces.

6.4 Installer les rallonges

Voir la Figure 6-3.

1. Les bords du banc et des rallonges qui s'emboîtent doivent être propres et sans bavures.
2. Installez une rallonge (B) au banc de scie. (Les rallonges sont identiques). Utilisez trois vis, rondelles de blocage et rondelles plates (HP-1/2/3). Serrez légèrement les vis avec une clé ou une douille de 17 mm. **NE PAS SERRER COMPLÈTEMENT À CE MOMENT.**

Astuce d'assemblage : Si vous faites cela sans assistant, soulevez la rallonge perpendiculairement au bord du banc. Installez la vis centrale et les rondelles, et serrez. Faites ensuite pivoter la rallonge pour qu'elle soit parallèle au banc de scie pour insérer les deux vis restantes.

3. Répéter l'opération pour la rallonge opposée. Serrez légèrement les vis. **NE PAS SERRER COMPLÈTEMENT À CE MOMENT.**
4. Le bord avant de l'oreille doit rester à égalité avec le bord avant du banc de scie. Si nécessaire, tapotez le bord avant de la rallonge avec un maillet en caoutchouc pour qu'elle soit à ras. Voir la Figure 6-4.

6.4.1 Mettre les rallonges à niveau

Ajustez les rallonges au banc de scie en utilisant une règle de vérification. Une règle de vérification en métal est idéale, même s'il est également possible d'utiliser une planche soigneusement jointée.

Deux méthodes sont décrites ci-dessous : une avec un maillet en caoutchouc, l'autre avec des pinces sur les bords du banc.

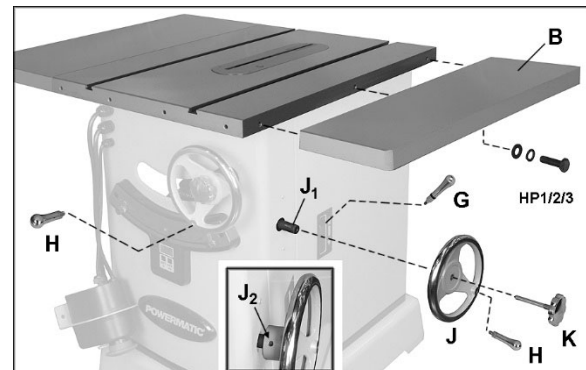


Figure 6-3 : Installer les accessoires

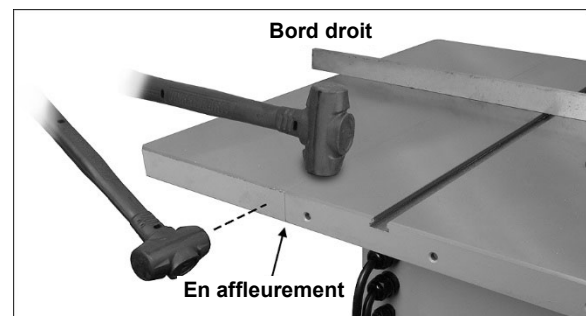


Figure 6-4 : mettre à niveau les rallonges, méthode 1

Méthode 1 (Figure 6-4) :

1. Déplacez la rallonge de façon à ce qu'elle soit légèrement au-dessus de la surface du banc de scie.

- Commencez par serrer les trois vis sous la rallonge qui la fixent au banc de scie. Serrez-les juste assez pour maintenir la rallonge en place, mais gardez-les suffisamment desserrées pour modifier la hauteur de la rallonge en tapotant dessus. (Tapez avec un maillet en caoutchouc, ou utilisez un marteau sur un bloc de bois plat. N'utilisez jamais de marteau à tête en acier directement sur le banc.
- Posez une règle de vérification sur le banc de scie et la rallonge, en l'étendant au-delà du bord de la rallonge, comme illustré dans la figure 6-4.
- Déplacez la règle de vérification à plusieurs endroits le long de la rallonge, tout en continuant à tapoter l'aile pour la mettre au niveau du banc de scie. Faites également passer le bout de vos doigts sur la jonction pour vous assurer que la transition se fait en douceur. Au fur et à mesure que chaque zone de la rallonge est positionnée au ras du banc, serrez la vis sous cette zone. Continuez jusqu'à ce que les trois vis soient bien serrées. **REMARQUE :** Assurez-vous que le bord avant de l'oreille reste à égalité avec le bord avant du banc de scie.
- Répétez les étapes ci-dessus pour la rallonge opposée.

Méthode 2 (Figure 6-5) :

- Suivez les étapes 1 à 3 de la méthode 1.
- Placez des pinces sur la jonction, une à l'avant et une à l'arrière du banc. Utilisez un tampon ou un bloc plat sous le bras de serrage pour éviter d'endommager la surface du banc. Voir la Figure 6-5.
- Serrez les deux pinces pour aligner les bords avant et arrière des tables. Assurez-vous que le bord avant de l'oreille reste à égalité avec le bord avant du banc de scie.
- Serrez progressivement les vis, et placez la règle de vérification à divers endroits de la jonction, surtout au centre. Effectuez d'autres ajustements selon les besoins.
- Resserrer complètement les vis.



Figure 6-5 : mettre à niveau les rallonges, méthode 2

6.5 Volant, boutons, leviers

Voir la Figure 6-3.

- Enlevez le ruban adhésif autour de l'arbre pour exposer les filets et la clavette d'arbre (J₁, Figure 6-3).
- Assurez-vous que la vis de calage du volant (J₂) est suffisamment desserrée pour éviter toute interférence.
- Assurez-vous que la clavette est dans la fente. Faites glisser le volant sur l'arbre en alignant la rainure de clavette avec la clavette.
- Poussez le volant sur l'arbre jusqu'à son maximum, puis serrez la vis de calage (J₂).
- Installez le bouton de verrouillage (K, figure 6-3) et les poignées (H). Utilisez la clé sur les poignées à plat pour les serrer contre les volants.

6.6 Rails et guide

Une fois les rallonges correctement montées, l'ensemble des rails et de l'Accu-Fence^{MD} peuvent maintenant être montés sur la scie. Consultez le mode d'emploi M-2195079B qui accompagne le guide, puis continuez vers la *section 6.7* ci-dessous.

6.6.1 Support d'interrupteur

Voir la Figure 6-6.

Le support d'interrupteur est installé en même temps que le tube de guidage. Utilisez deux vis avec rondelles qui sont fournies avec les rails.

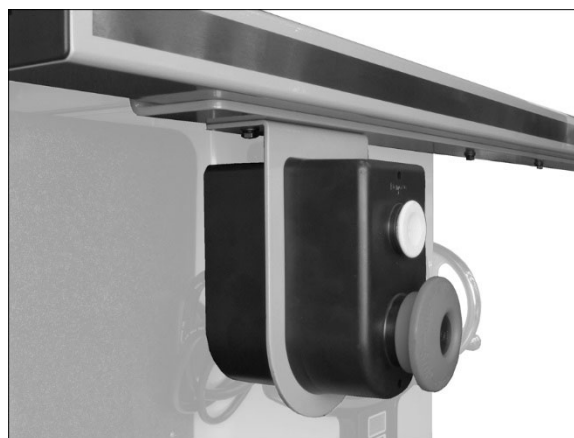


Figure 6-6 : Installer l'interrupteur

6.6.2 Table à rallonges en bois

Pour plus d'informations sur le montage de la table à rallonges en bois, consultez le manuel Accu-Fence M-2195079B.

6.7 Capot du moteur

Voir la Figure 6-7.

Glissez les broches du capot du moteur dans les charnières de la scie. Fermez le couvercle du moteur jusqu'à ce qu'il s'enclenche sur les poteaux de la scie.

Remarque : Le mécanisme de verrouillage peut nécessiter un ajustement pour permettre une fermeture appropriée. Desserrez la vis et modifiez la position selon les besoins. Resserrer la vis.



Figure 6-7 : Installer le couvercle du moteur

6.8 Insert du banc

Voir la Figure 6-8.

Placez la plaque amovible dans l'ouverture du banc. Vérifiez que la plaque amovible est bien au ras de la surface du banc en plaçant une règle de vérification à différents endroits. Si la plaque amovible n'est pas au ras sur toute sa longueur, tournez l'une des 4 vis de calage pour soulever ou abaisser la zone de la plaque amovible.

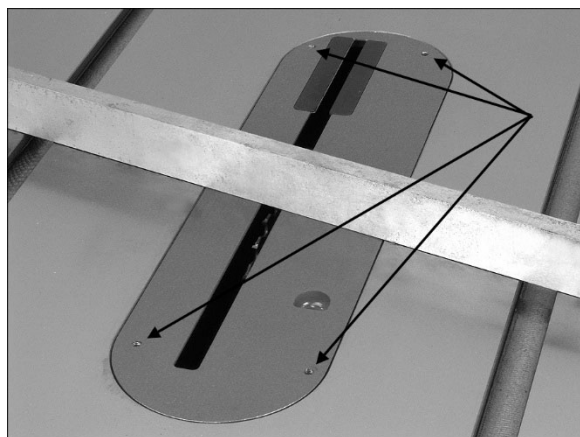


Figure 6-8 : soulever la plaque amovible

6.9 Installer et démonter la lame



Soyez prudent quand vous travaillez avec ou près des lames de scie tranchantes pour éviter les blessures.

Voir la Figure 6-9.

1. Déconnecter la machine de la source d'alimentation.
2. Retirer l'insert du banc.
3. Relevez l'arbre à lame sur la position la plus haute, et réglez l'inclinaison de la lame sur 0°.
4. Installez la lame sur l'arbre, en vous assurant que les dents soient orientées vers l'avant de la scie.
5. Installez la bride et l'écrou comme indiqué.
6. Appuyez sur le levier et maintenez-le enfoncé (R, Figure 6-9), et tournez la lame jusqu'à ce que le verrouillage de l'arbre s'enclenche. Serrez l'écrou dans le sens horaire avec la clé fournie. Ne pas trop serrer l'écrou.

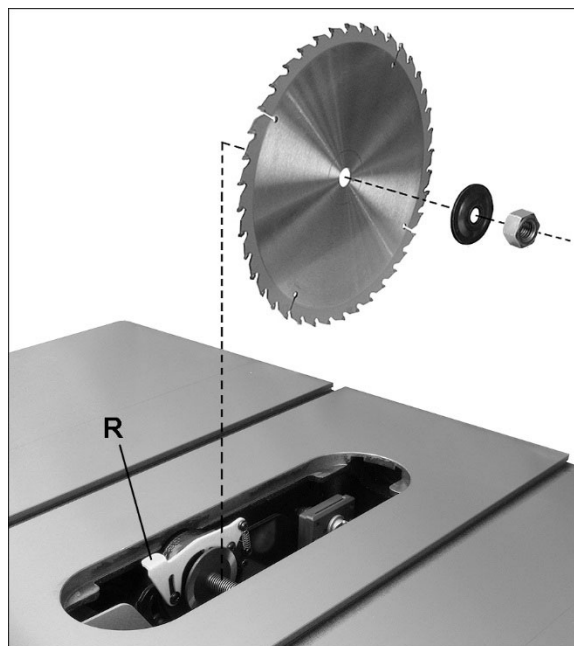


Figure 6-9 : Installer la lame

7. Pour démonter la lame, enclenchez le verrouillage de l'arbre et retirez l'écrou avec la clé.

6.10 Installer l'ensemble de protection/couteau

Voir la Figure 6-10.

6.10.1 Couteau séparateur

1. Retirer l'insert du banc.
2. Relevez l'arbre à lame sur la position la plus haute, et réglez l'inclinaison de la lame sur 0°.
3. Tirez vers le haut le levier de la pince (S₁, Figure 6-9). Le pinceur de travail (S₂) est à ressort et il s'écartera de la base fixe en laissant un espace libre.

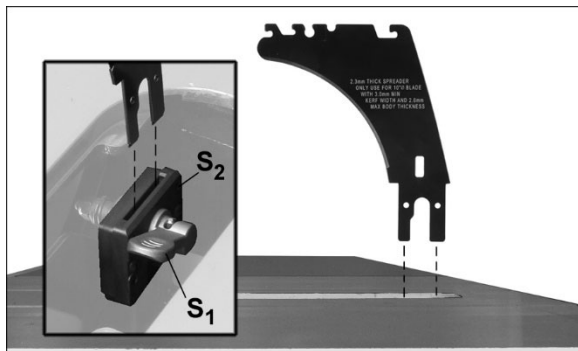


Figure 6-10 : Installer l'ensemble de protection

4. Faites glisser les broches du couteau séparateur (N) dans la fente de la base de serrage, et enfoncez le couteau séparateur au maximum.
5. Enfoncez le levier de la pince (S₁) en position fermée.
6. Le couteau séparateur doit être parallèle à la lame de scie. Voir la section 8.7 pour l'inspection et les réglages.

REMARQUE : Un couteau séparateur à profil bas est également fourni pour réaliser des coupes non traversantes sur le banc de scie.

6.10.2 Linguets antireculs

Voir la Figure 6-11 et 6-12.

1. Installez la plaque amovible dans le banc.
2. Appuyez et maintenez le bouton (O₁) situé sur le côté opposé de la tête pour libérer la goupille d'arrêt. Montez le antireculs droit vers le bas, à l'emplacement indiqué à la Figure 6-11.

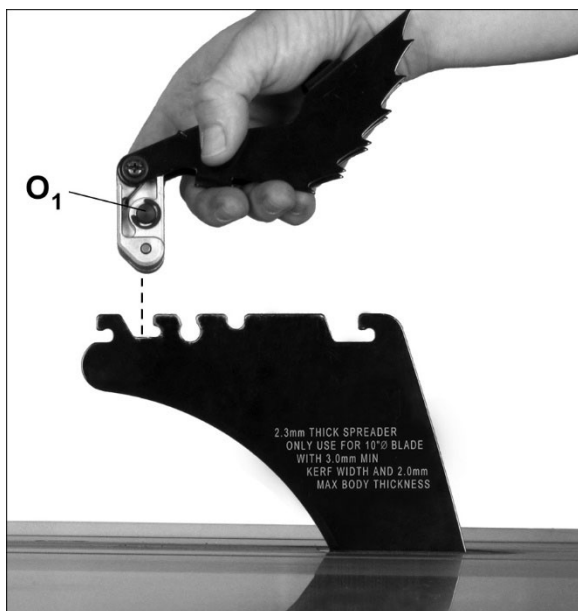


Figure 6-11

3. Faites pivoter la tête et poussez-la vers le bas (Figure 6-12) jusqu'à ce que vous entendiez

un clic audible. Assurez-vous que vous entendez le clic pour vérifier que l'ensemble du antireculs est sécurisé.

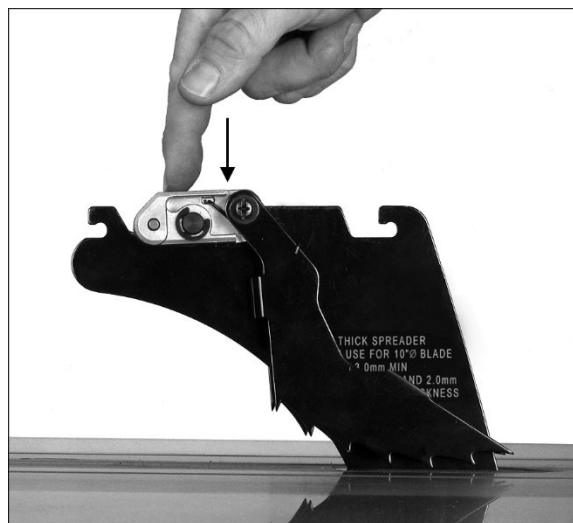


Figure 6-12

6.10.3 Protecteur de lame

Voir la Figure 6-13.

1. Poussez les plaques de protection (E, Figure 6-12) vers le haut et vers l'avant jusqu'à ce qu'elles se prennent dans les bouchons (F).
2. Abaissez le protège-lame sur le couteau diviseur et poussez-le vers l'arrière pour le mettre en place.
3. Serrez le bouton (G).
4. Abaissez les feuilles de protection (E) et laissez-les tomber sur la table.
5. Inverser la procédure pour enlever la protection.

IMPORTANT : Le bouton (G) doit être serré avant d'utiliser la scie avec la protection en place.

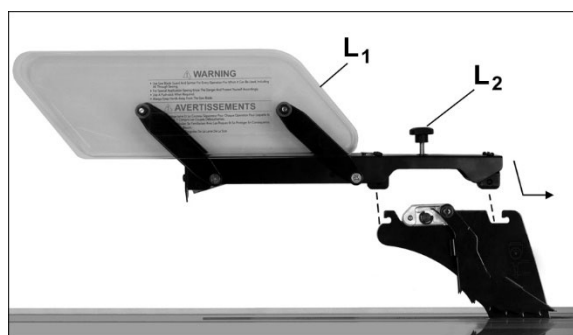


Figure 6-13



La protection, le couteau séparateur et les ensembles de linguets doivent être solidement installés et les plaques doivent être en contact avec le banc avant de commencer toute opération de coupe traversante.

La base de serrage du couteau séparateur est ajustée par le fabricant, et aucun réglage supplémentaire du protecteur de lame et de l'ensemble du couteau séparateur ne devrait être nécessaire. Toutefois, **il est très important d'avoir un bon alignement.** Avant d'utiliser le banc de scie, veuillez lire la *section 8.7, Alignement du couteau séparateur*, pour vérifier et suivre la procédure de réglage le cas échéant.

6.11 Capteur de poussière

Il est fortement recommandé d'utiliser un système de récupération des poussières (non fourni) pendant l'opération de sciage sur le banc. Cela aidera à garder l'atelier propre, tout en prévenant les problèmes de santé potentiels provoqués par l'inhalation de poussière.

Assurez-vous que le tuyau interne est inséré dans le capteur de poussière externe (Figure 6-11). Raccordez le flexible de votre système de récupération des poussières au capteur de poussière de 4 pouces à la base de la scie, et fixez-le avec un collier de durite (non fourni).



Figure 6-11

7.0 Connexions électriques

AVERTISSEMENT Les connexions électriques doivent être effectuées par un électricien qualifié conformément à tous les codes applicables. Cette machine doit être correctement mise à la terre pour éviter les chocs électriques et les éventuels blessures mortelles.

Le PM2000B n'est pas équipé d'une fiche d'alimentation électrique. Vous pouvez soit brancher la prise appropriée homologuée UL/CSA, soit « câbler » la machine directement sur votre panneau électrique pourvu qu'il y ait un interrupteur général près de la machine pour l'opérateur. Consultez les dessins d'électricité dans la *section 15.0* pour obtenir plus de précisions sur le câblage.

Avant de connecter la machine à l'alimentation, assurez-vous que l'interrupteur est dans la position *arrêt*.

Il est recommandé de raccorder les bancs de scie monophasés 3HP et triphasés 5HP à un circuit dédié de 20 ampères avec disjoncteur ou fusible.

La scie monophasée 5HP doit être connectée à un circuit de 30 ampères avec disjoncteur ou fusible.

S'il est connecté à un circuit qui est protégé par un fusible, utilisez le fusible temporisé étiqueté « D ». **Les codes locaux ont priorité sur les recommandations.**

7.1 INSTRUCTIONS DE MISE À LA TERRE

Cette machine doit être mise à la terre. En cas de dysfonctionnement ou de panne, la mise à la terre fournira un passage de résistance moindre au courant électrique, réduisant ainsi le risque d'électrocution. Cet outil est équipé d'un câble électrique avec un conducteur de terre pour l'équipement. Une fiche n'est pas fournie. Une fiche homologuée UL/CSA appropriée peut être installée, sinon la machine peut être « câblée » à un panneau de circuit. Si elle est câblée, assurez-vous que l'opérateur dispose d'un système de débranchement.

Une connexion inadéquate du conducteur de mise à la terre de l'équipement peut provoquer un risque d'électrocution. Le conducteur avec isolant ayant une surface extérieure verte avec ou sans rayures jaunes est l'équipement de mise à la terre du conducteur. Si la réparation ou le remplacement du câble ou d'une prise électrique est nécessaire, ne connectez pas le conducteur de mise à la terre de l'équipement à une borne sous tension.

AVERTISSEMENT Vérifiez auprès d'un électricien qualifié ou du personnel d'entretien si les instructions de mise à la terre ne sont pas parfaitement comprises, ou en cas de doute sur la mise à la terre correcte de l'outil. Le non-respect des directives peut causer des blessures graves ou mortelles.

Réparez ou remplacez immédiatement la rallonge endommagée ou usée.

7.2 Conversion de tension (modèle triphasé uniquement)

1. Retirez le couvercle du transformateur à l'arrière de la machine et déplacez le fusible de la position 230V à la position 460V sur le transformateur.
2. Branchez les câbles d'alimentation au moteur pour un fonctionnement en 460 volts, conformément au schéma électrique sur l'intérieur du couvercle de la boîte de connexion du moteur. Un schéma similaire se trouve dans la *section 15.0* de ce manuel. (*En cas de divergence, le schéma dans la boîte de connexion est prioritaire.*)
3. Remplacez le relais à maximum de 230V par un relais à maximum de 460V (achat

supplémentaire, référence PM2000B-2107BORA).

4. Si vous utilisez une fiche, la fiche de 230V doit être remplacée par une fiche homologuée UL/CSA de 460V.

7.3 Rallonges

UTILISEZ UNE RALLONGE APPROPRIÉE. Assurez-vous que votre rallonge est en bon état. Lorsque vous utilisez une rallonge, assurez-vous d'en utiliser une qui soit assez puissante pour supporter le courant que votre produit nécessitera. Une rallonge qui est trop faible entraînera une baisse de tension, ce qui causera une perte de puissance et la surchauffe de la machine. Le tableau 3 illustre la bonne taille à utiliser en fonction de la longueur de la rallonge et de l'intensité indiquée sur la plaque signalétique. Dans le doute, utilisez la jauge de calibre supérieur suivante. Plus le numéro de la jauge est petit, plus puissante est la rallonge.

Intensité nominale		Volts	Longueur totale de la rallonge (pieds)			
Plus de	Pas plus de		50	100	200	300
		240				
			AWG			
0	6		18	16	16	14
6	10		18	16	14	12
10	12		16	16	14	12
12	16		14	12	Non recommandé	

Tableau 3 : recommandations pour la rallonge

7.4 Commutateur magnétique et clé de sûreté

Reportez-vous à la Figure 7-2

Voyant d'alimentation – L'interrupteur de mise en marche a un voyant d'alimentation qui reste allumé **lorsque la scie est connectée à l'alimentation** et donc pas seulement lorsque la scie est en marche. **Ne croyez pas qu'une absence de lumière signifie que la machine n'est pas alimentée.** Si l'ampoule est mauvaise, il n'y aura aucune indication. Vérifiez toujours avant utilisation.



Ne comptez pas sur le fait qu'une absence de lumière signifie que la machine n'est pas alimentée. Vérifiez toujours l'alimentation en premier lieu. Le non-respect des directives peut causer des blessures graves.

Démarrer – Appuyez sur l'interrupteur de démarrage vert.

Lorsque l'alimentation est connectée à la machine, le voyant vert est toujours allumé, que la scie fonctionne ou pas.

Arrêt – Appuyez sur l'interrupteur rouge pour arrêter.

Réinitialisation – Si la scie s'arrête sans appuyer sur l'interrupteur d'arrêt, à la suite d'un fusible ou d'un disjoncteur déclenché :

1. Appuyez sur le bouton rouge pour réinitialiser.
2. Appuyez sur le bouton vert pour redémarrer la machine.

7.4.1 Clé de sûreté

L'interrupteur est équipé d'une clé de sûreté magnétique. Lorsqu'elle est placée sur l'interrupteur, tel qu'illustré à la figure 7-2, la clé de sûreté déclenche un relais lequel permettra à la machine de démarrer et d'arrêter lorsque les interrupteurs respectifs sont appuyés. Comme elle est magnétique, la clé de sûreté peut être retirée afin de rendre la machine inutilisable et peut être cachée pour un entreposage sécuritaire en la fixant sous le guide ou sous une autre surface magnétique.

Lorsque vous utilisez la scie, placez la clé sur le cache-interrupteur de façon à ce que la flèche sur la clé soit alignée avec la flèche RETIRER sur le dessus du cache-interrupteur. Puis, tournez la clé de façon à ce que la flèche soit alignée avec la flèche de VERROUILLAGE. Cela empêche que la clé de sûreté devienne lâche à cause de la vibration lorsque la machine fonctionne.

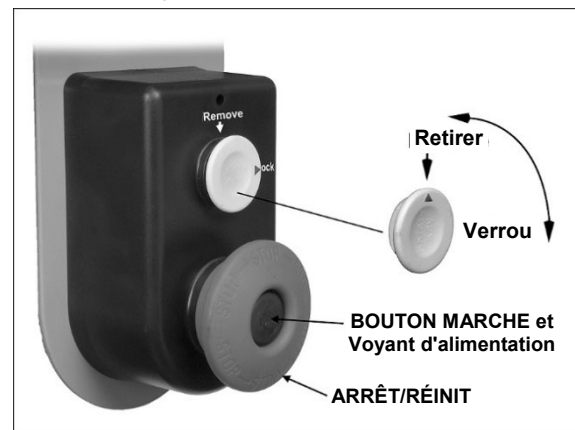


Figure 7-2

8.0 Ajustements

8.1 Outils requis pour les ajustements

Clés hexagonales : 2,5 mm, 3 mm, 4 mm
Clés : 13 mm, 19 mm, 22 mm (ou ajustable)
Bordure droite
Équerre

8.2 Alignement du guide

Avant d'utiliser l'Accu-Fence^{MD}, vérifiez qu'il est bien aligné avec la lame. Consultez le manuel M-2195079B qui accompagne le guide.

8.3 Levage et inclinaison de la lame

Voir la Figure 8-1.

Pour lever ou abaisser la lame, desserrez le bouton de verrouillage (A, figure 8-1) et tournez le volant à main (B) sur l'avant de la scie jusqu'à atteindre la hauteur voulue. Serrez le bouton de verrouillage (C). La lame doit être soulevée sur environ 1/8 po au-dessus de la surface supérieure du matériau à couper.

Pour incliner la lame, desserrez le bouton de verrouillage (C) et tournez le volant (D) jusqu'à obtenir l'angle voulu, comme cela est illustré sur l'échelle d'inclinaison ou le DRO. Resserrez le bouton de verrouillage (C).

Le DRO, l'affichage numérique (E) affiche l'angle pour accélérer le positionnement. Voir la *section 8.10* pour la calibration du DRO.

Les pointeurs de référence (F) peuvent être positionnés à n'importe quel endroit le long de l'échelle; desserrez le bouton et glissez le pointeur jusqu'à sa position, puis serrez le bouton. Ils fournissent un point de référence rapide pour aligner l'indicateur d'angle.

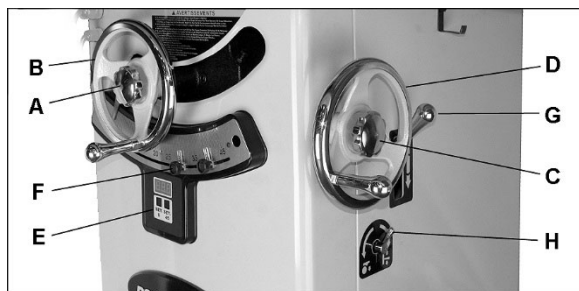


Figure 8-1 : réglages de la lame

8.4 Mécanisme de roulettes

Pour enclencher le système des roulettes, actionnez la poignée (G, figure 8-1) environ 4 ou 5 fois.

Désactivez le système des roulettes en tournant la poignée (H) dans le sens antihoraire. **Les roulettes doivent être désactivées avant d'utiliser la scie.**

Note: Il est recommandé que la scie soit abaissée en position de repos après avoir été déplacée à l'endroit désiré. S'il est laissé en position relevée pendant une période prolongée, la scie se stabilisera graduellement au sol - c'est normal.

8.5 Jauge à onglets

Référez-vous aux figures 8-2 et 8-3.

8.5.1 Réglage de l'angle des onglets

La jauge à onglets est équipée d'un système à pignon et crémaillère pour régler l'angle. Pour faire fonctionner :

1. Faites glisser la jauge à onglets dans la fente du banc.
2. Desserrez la poignée de verrouillage (H, Figure 8-2) en tournant dans le sens antihoraire.
3. Tirez sur le bouton à ressort (J) et tournez le bouton jusqu'à ce que le corps (K) de la jauge à onglets soit à l'angle voulu, comme indiqué sur l'échelle.
4. Serrer la poignée de verrouillage (H)

8.5.2 Réglages aux échancrures

Il y a des échancrures à 0°, 30° et 45° dans les positions droite et gauche. À ces réglages, relâchez le bouton (J) pour s'enclencher dans l'échancrure. Puis, serrez la poignée de verrouillage (H)

Remarque : Ne vous fiez pas uniquement aux échancrures pour avoir un réglage précis. Quand la tige à butée est enclenchée dans les positions 0°, 30° et 45°, effectuez un réglage précis avec le bouton (J) si nécessaire, en le réglant par rapport à l'indicateur sur l'échelle (L).

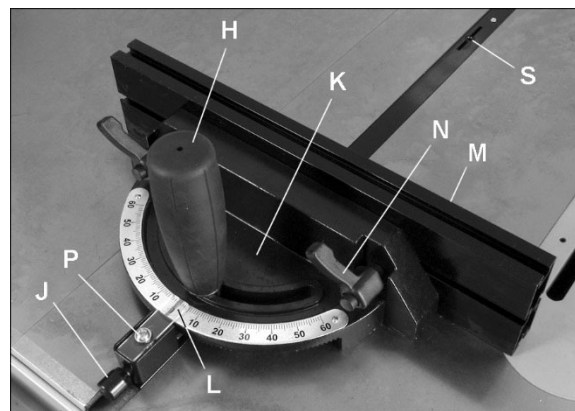


Figure 8-2

8.5.3 Guide de la jauge à onglets

Le guide de la jauge à onglets (M, Figure 8-2) peut être ajusté en le glissant vers la droite ou la gauche, ou enlevé complètement.

Pour le régler, desserrez les deux poignées de verrouillage (N), faites glisser le guide et resserrez les poignées de verrouillage. **Assurez-vous que**

l'extrémité du guide ne se trouve pas dans le passage de la lame.

REMARQUE : Les poignées de verrouillage (N) sont réglables. Tirez sur la poignée, faites-la pivoter dans une autre position, puis relâchez-la en vous assurant qu'elle se place sur la goupille.

Pour retirer le guide de la jauge à onglets, faites-le glisser complètement et retirez les poignées de verrouillage (N) et les pièces de montage.

8.5.4 Étalonnage de la jauge à onglets

1. Placez la jauge à onglet dans la fente de la table.
2. Réglez la jauge à onglets à 90° à la lame (réglage de 0° sur l'échelle) en desserrant la poignée de verrouillage (H, Figure 8-2), puis en retirant le bouton à ressort (J) et le corps de tournage (K) jusqu'à ce que 0° soit indiqué sur l'échelle.
3. Mesurer la précision de la jauge d'onglet contre la fente avec un carré.

Si un ajustement est nécessaire :

4. Réglez le corps (K) jusqu'à ce qu'il soit carré (90°) à la fente de l'onglet.
5. Serrer la poignée de verrouillage (H)
6. Vérifier que l'indicateur de l'échelle (L) indique 0°. Si ce n'est pas le cas, desserrez la vis (P) et réglez l'indicateur (L) jusqu'à ce qu'il indique 0°. Resserrer la vis (P).
7. Si la procédure ci-dessus ne permet pas d'aligner correctement la jauge à onglets, desserrez deux vis (R, Figure 8-3) sous le montoir et déplacez-le selon les besoins. Resserrer les vis quand vous avez terminé.

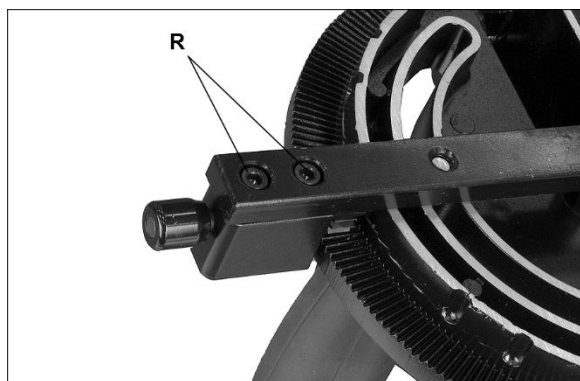


Figure 8-3

REMARQUE : La barre de la jauge à onglets comporte deux fentes avec des vis de calage (S, figure 8-2). Ajustez ces vis de calage pour éliminer le jeu entre la barre et la fente des onglets.

8.6 Réglage de la butée d'inclinaison de la lame

Les butées pour les inclinaisons à 90° et 45° et l'élévation de la lame ont été réglées en usine, et elles ne devraient pas nécessiter de réglage immédiat. Les réglages doivent toutefois être confirmés par l'opérateur, surtout si les coupes deviennent imprécises. Les deux butées d'inclinaison sont situées sur le tourillon.

8.6.1 Butée d'inclinaison à 90°

1. Déconnecter la machine de la source d'alimentation.
2. Veillez à ce que la plaque amovible soit à niveau avec la surface du banc (sect. 6.8).
3. Relevez la lame à sa position maximale et placez une équerre sur le banc et contre la lame (Figure 8-4). Assurez-vous qu'une dent de lame n'obstrue pas l'affichage.
4. Inclinez la lame avec le volant jusqu'à ce que l'équerre soit contre la lame.
5. Si un réglage est nécessaire, desserrez l'écrou sur la vis de retenue à 90° (figure 8-5) avec une clé de 13 mm et tournez la vis à la bonne hauteur. Vérifiez le réglage et resserrer l'écrou contre le tourillon.
6. Vérifiez la position du pointeur sur l'échelle (Figure 8-5). Si nécessaire, desserrez la vis et ajustez le pointeur sur zéro. Resserrer la vis.

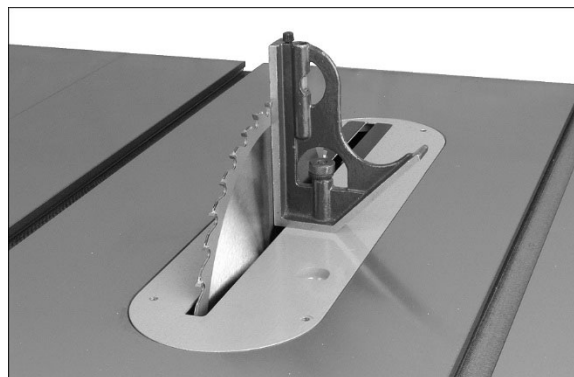


Figure 8-4

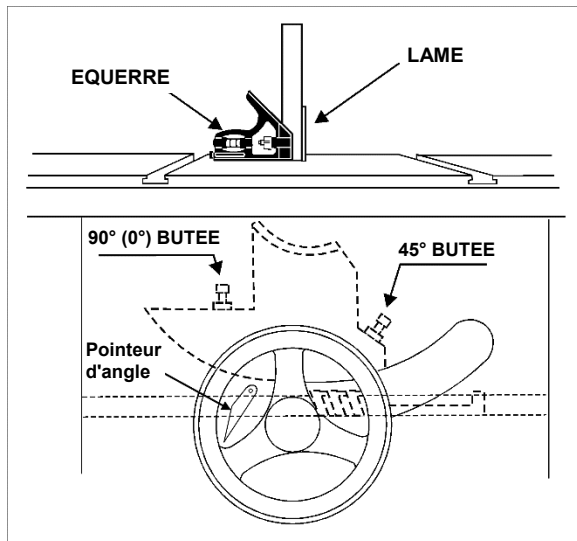


Figure 8-5 : butées de lame

8.6.2 Butée d'inclinaison à 45°

Suivez la même procédure que celle ci-dessus, mais avec la lame inclinée à 45°, comme indiqué sur la figure 8-6.

Réglez la butée sur 45° comme indiqué sur la figure 8-5. Confirmer le réglage, puis resserrer l'écrou.

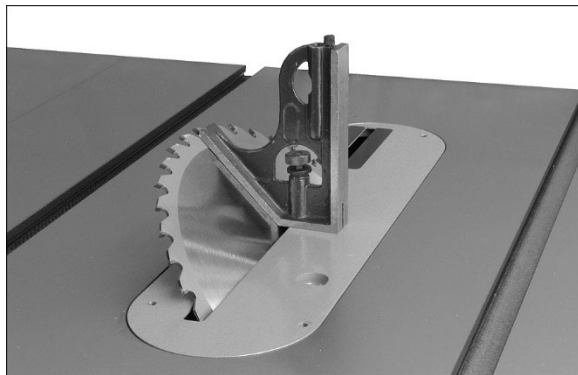


Figure 8-6

8.7 Alignement du couteau séparateur

8.7.1 Alignement latéral

La lame de scie et le couteau de coupe doivent être aussi étroitement alignés que possible (alignement latéral) pour prévenir le rebond. Cela devrait être vérifié avant l'installation initiale du protecteur de lame et du couteau séparateur. L'alignement devrait également être réaffirmé après chaque changement de lame.

Inspectez l'alignement comme suit :

1. Retirez le protecteur de lame et l'ensemble de linguets.
2. Placez une règle droite sur la table afin qu'elle repose contre la lame et le couteau

séparateur. Voir la Figure 8-7. Faites pivoter la lame afin que la partie supérieure de la dent de la lame touche la règle droite.

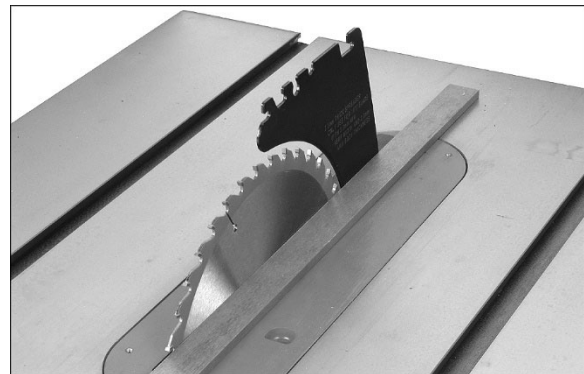


Figure 8-7

La lame de la scie et le couteau séparateur doivent être alignés. Si un ajustement est nécessaire :

3. Tirez le levier (A, Figure 8-8), puis retirez le couteau séparateur, en notant la direction vers laquelle le couteau séparateur doit être déplacé afin de l'aligner avec la lame de scie.
4. Utilisez une clé hexagonale de 3 mm pour effectuer des réglages sur quatre vis de pression (B, Figure 8-8). Réglez l'une des vis de réglage nécessaires pour aligner le couteau séparateur avec la lame de scie.
5. Réintroduisez le couteau séparateur, fixez celui-ci en serrant le levier (A) et vérifiez l'alignement à chaque fois que vous êtes à l'étape 2.
6. Répétez les étapes 3 à 5 jusqu'à ce que l'alignement soit correct.

8.7.2 Alignement de la proximité de la lame

L'espace entre la lame de la scie et le couteau séparateur doit être d'une largeur se trouvant entre 3 mm (0,12 po) et 8 mm (0,32 po). Voir la Figure 8-9.

Si un ajustement est nécessaire, notez si l'espace entre la lame et le couteau doit être augmenté ou diminué. Puis, ajustez comme suit :

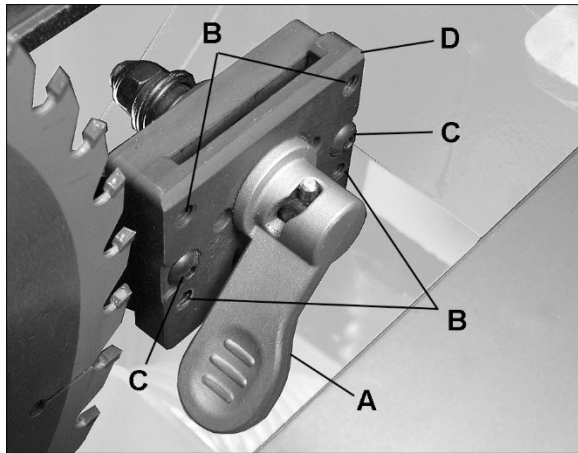


Figure 8-8

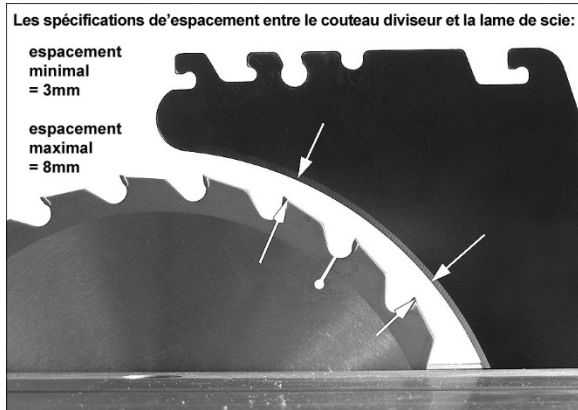


Figure 8-9

7. Retirez le protecteur de lame, l'ensemble à cliquet, l'insert du banc et le couteau séparateur.
 8. Utilisez une clé hexagonale de 3 mm pour desserrer deux vis bouton à pans creux (C, Figure 8-8). Cela permettra au pinceur de travail (D) de bien glisser dans les deux sens sur la base fixe.
- Faites glisser le pinceur de travail (D) en s'approchant ou en s'éloignant de la lame de la scie, au besoin. Essayez de rendre les écarts aussi réguliers que possible.
9. Resserrer les vis (C).
 10. Réinsérez le couteau séparateur; engagez le levier (A) et vérifiez que l'espace entre la lame de scie et le couteau fait entre 3 et 8mm (Figure 8-9).

8.8 Alignement du banc avec la lame

Voir les Figures 8-10 et 8-11.

Le banc est mis à l'équerre par rapport à la lame par le fabricant, et aucun réglage ne devrait être nécessaire pour l'instant. Si les coupes deviennent imprécises, vérifiez l'équerrage du banc/lame, et corrigez si nécessaire.

1. Déconnectez la scie de la source d'alimentation.
2. Levez la lame à la hauteur maximale.
3. Marquez une dent (A, Figure 8-10) avec un crayon gras, et placez la dent légèrement au-dessus du bord supérieur du banc à l'avant.
4. Soulevez légèrement la jauge à onglets hors de sa fente pour servir d'épaulement. En utilisant une équerre-trusquin (B) contre le côté de la barre, faites glisser l'échelle jusqu'à ce qu'elle touche le bout de la lame et verrouillez-la dans sa position.

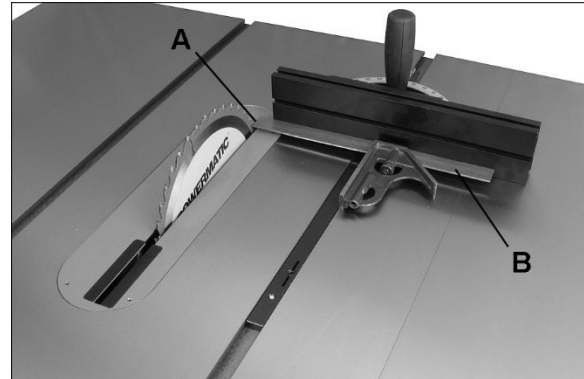


Figure 8-10

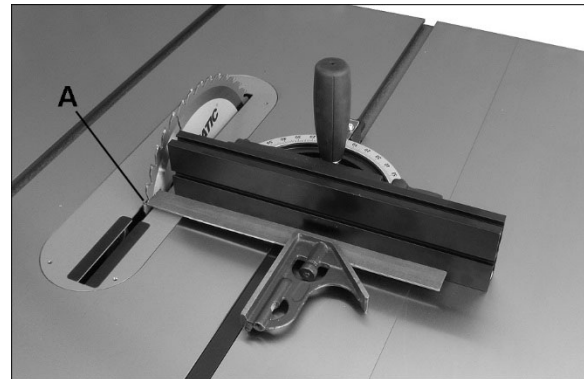


Figure 8-11

5. Faites pivoter la dent marquée (A) de façon à ce qu'elle soit légèrement au-dessus du plateau du banc à l'arrière, en utilisant l'équerre comme précédemment pour vérifier que la distance par rapport à la lame est identique. Voir la Figure 8-11. Si les deux distances ne sont pas identiques, notez bien la différence.
6. Desserrez les vis du banc (article 24, section 14.1.1), et tapotez sur le banc en fonction de la distance que vous avez notée.
7. Resserrer fermement les vis.
8. Vérifiez l'alignement, le réglage du pointeur d'angle, le réglage du guide, etc. Effectuez les ajustements nécessaires.

8.9 Ajustement de la courroie

8.9.1 Tension de la courroie

Voir la Figure 8-12.

La tension de la courroie d'entraînement devrait être inspectée après les premiers jours de fonctionnement, car une courroie peut s'étirer légèrement lors l'utilisation initiale; Inspectez-la régulièrement par la suite.

Pour resserrer la courroie :

1. Déconnecter la machine de la source d'alimentation.
2. Desserrez la vis (C, fig. 8-12) avec une clé de 17 mm.
3. Desserrez légèrement l'écrou (D) avec une clé de 1-1/4 po (ou ajustable).
4. Poussez le moteur vers la droite et serrez la vis (C) pour tendre la courroie. Resserrer l'écrou (D). Vérifier la tension appropriée en poussant la courroie à mi-chemin entre les poulies; la déviation devrait être d'environ 1/2 pouce.

Si la courroie présente des signes d'usure, d'effilochage, de fissures, etc., elle doit être remplacée en procédant comme suit.

8.9.2 Remplacement de la courroie

Voir la Figure 8-12.

1. Abaissez complètement le tourillon.
2. Desserrez la vis (C) avec une clé de 17 mm.
3. Desserrez légèrement l'écrou (D) avec une clé de 1-1/4 po (ou ajustable).
4. Pivotez le moteur vers la gauche pour relâcher la tension.
5. Remplacer la courroie.
6. Poussez le moteur vers la droite et serrez la vis (C) pour tendre la nouvelle courroie. Resserrer l'écrou (D). Vérifier la tension appropriée en poussant la courroie à mi-chemin entre les poulies; la déviation devrait être d'environ 1/2 pouce.

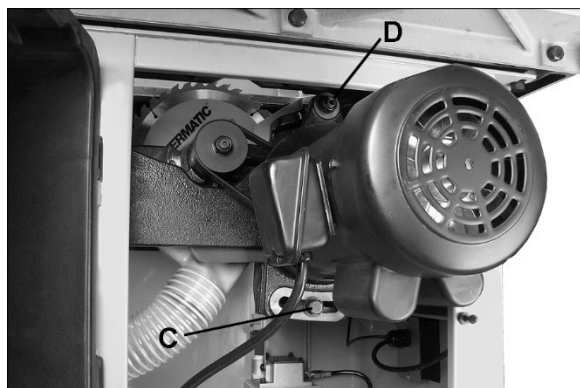


Figure 8-12

8.10 Calibration et utilisation du DRO

Quand les butées d'inclinaison de la lame à 0° et 45° ont été vérifiées, le compteur numérique (DRO) peut être étalonné pour correspondre aux réglages.

Sect. 8.10.1 décrit la procédure générale de l'étalonnage. Sect. 8.10.2 décrit les procédures d'étalonnage obligatoires si le capteur de la CCI est remplacé dans le banc de scie.

8.10.1 Étalonnage général

1. Les arrêts d'inclinaison de lame doivent être réglés correctement. Voir la section 8.6
 2. Connecter la machine à la source d'alimentation. Le DRO sera éclairé.
 3. Si la lame de scie est relativement proche de 0°, réglez la lame à exactement 0° et appuyez sur le bouton « SET 0 » (définir 0). L'affichage affichera 0,00. Voir la Figure 8-13.
- De même, si la lame de scie est relativement proche de 45°, réglez la lame à 45° et appuyez sur le bouton « SET 45 » (définir 45). L'affichage affichera 45,0.
4. L'étalonnage est terminé.

REMARQUE : Si l'alimentation est coupée, l'affichage numérique revient à 0,00. Lorsque l'alimentation est rétablie, répétez la procédure ci-dessus.



Figure 8-13

8.10.2 Étalonnage pour un remplacement de carte de circuits imprimés

1. Les arrêts d'inclinaison de lame doivent être réglés correctement. Voir la section 8.6
2. Connecter la machine à la source d'alimentation. Le DRO sera éclairé.
3. Inclinez la lame de scie à 0°.
4. Appuyez et maintenez les deux boutons CONFIGURER jusqu'à ce que l'affichage indique « --- » (Figure 8-14).
5. Relâchez les boutons et l'affichage indiquera « 00,0 ».

6. L'étalonnage à 0° est terminé. (Si « 00,0 » ne s'affiche pas, débranchez et rebranchez l'alimentation, et répétez la procédure ci-dessus)
7. Inclinez la lame à 45°.
8. Appuyez et maintenez les deux boutons CONFIGURER jusqu'à ce que l'affichage indique « --- » (Figure 8-14).
9. Relâchez les boutons et l'affichage indiquera « 45,0 ».
10. L'étalonnage à 45° est terminé. (Si « 45,0 » ne s'affiche pas, débranchez et rebranchez l'alimentation, et répétez la procédure ci-dessus)



Figure 8-14

9.0 Fonctionnement

Familiarisez-vous avec l'emplacement et le fonctionnement de toutes les commandes et de tous les réglages, ainsi qu'avec l'utilisation des accessoires comme la jauge à onglets et le guide longitudinal.

Remarque : Les figures suivantes sont généralistes et peuvent ne pas présenter votre modèle de scie particulier.

9.1 Prévention du rebond

Des blessures graves peuvent être causées par les rebonds qui surviennent quand une pièce à travailler se coince à la lame de scie ou entre la lame et le guide longitudinal, ou tout autre objet fixe. Ce coincement peut soulever la pièce à travailler et la projeter vers l'opérateur.

Vous trouverez ci-dessous la liste des conditions qui peuvent causer des rebonds :

- ❑ Confiner la pièce à couper lors d'une coupe transversale ou d'un sciage en long.
- ❑ Lâcher la pièce à travailler avant de terminer l'opération, ou ne pas pousser la pièce à fond le long de la lame de scie.
- ❑ Ne pas utiliser de couteau séparateur lors d'un sciage en long, ou ne pas maintenir l'alignement entre le couteau séparateur et la lame de scie.
- ❑ Utiliser une lame de scie émoussée.

- ❑ Ne pas maintenir l'alignement du guide longitudinal de sorte qu'il tend à s'incliner vers la lame de scie plutôt que de s'en écarter.
- ❑ Appliquer la force d'avance lors du sciage en long à la section à couper (libre) de la pièce à travailler plutôt qu'à la section entre la lame de scie et le guide.
- ❑ Scier en long du bois qui est tordu (qui n'est pas plat), ou qui n'a pas de bord droit, ou dont le fil est tordu.

Afin de minimiser ou prévenir les blessures causées par des rebonds :

- ❑ Évitez les conditions énumérées ci-dessus.
- ❑ Portez un écran facial, des lunettes de sécurité ou des lunettes de protection.
- ❑ N'utilisez pas de jauge à onglets et de guide longitudinal dans la même opération, à moins qu'il ne soit prévu d'utiliser une plaque de protection sur le guide pour libérer la section à couper de la pièce à travailler avant le début de la coupe (voir Figure 9-8).
- ❑ Au fur et à mesure que la machine est utilisée, il faudrait vérifier régulièrement le fonctionnement des linguets antirecul (Figure 9-1). Si les linguets n'arrêtent pas le mouvement de recul d'une pièce, aiguisiez à nouveau tous les points.

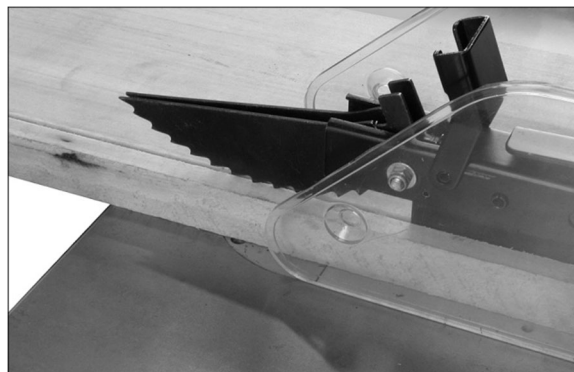


Figure 9-1

- ❑ Lorsque la situation le permet, gardez votre visage et votre corps hors du passage de la lame pour éviter de potentiels rebonds, y compris lorsque vous démarrez ou éteignez la machine.
- ❑ Les outils de coupe inadaptés, émoussés, mal installés ou mal limés, et les outils coupants avec de la gomme ou de la résine collée peuvent causer des accidents. N'utilisez jamais utiliser une lame de scie fissurée. Utilisez des outils tranchants, bien entretenus et appropriés à l'opération pour éviter les blessures.
- ❑ Soutenez et maintenez fermement la pièce à travailler contre la jauge ou le guide. Utilisez un poussoir ou un bloc-poussoir pour les pièces courtes, étroites (largeur de 6 po ou moins) ou fines. Utilisez un bloc-poussoir ou

une jauge à onglets quand vous faites une rainure ou une moulure.

- ❑ N'utilisez jamais le guide comme butée réglable lors d'une coupe transversale. Ne tenez pas ou ne touchez pas l'extrémité libre ou la section à couper d'une pièce à travailler. Lors des opérations de coupe traversante, la section à couper NE doit PAS être confinée.
- ❑ Gardez toujours vos mains hors de la ligne de la lame de scie et ne tendez jamais les mains derrière la lame de coupe pour maintenir la pièce à travailler.
- ❑ Les coupes en long en biseau doivent toujours être faites avec le guide du côté droit de la lame de scie de façon à ce que la lame s'incline en s'éloignant du guide et minimise la possibilité de coincement et l'effet de rebond qui en résulte.

9.2 Sciage en long

Le sciage en long consiste à introduire la pièce à travailler dans le sens du fil par rapport à la lame de scie en utilisant le guide ou tout autre dispositif de positionnement pour obtenir la largeur de coupe voulue (Figure 9-2).



Avant de commencer une coupe en long, vérifiez que le guide est serré et aligné correctement.

- ❑ Ne coupez jamais en long à main levée, sinon utilisez une jauge à onglets avec le guide.
- ❑ Ne coupez jamais en long des pièces plus petites que le diamètre de la lame de scie.
- ❑ Ne tendez jamais les mains derrière la lame pour maintenir ou retirer la pièce coupée lorsque la lame de scie tourne.



Figure 9-2

Utilisez toujours un protecteur de lame, un couteau séparateur et des linguets antirecul. Assurez-vous que le couteau séparateur est bien aligné. Lorsque le bois est coupé le long du grain, le trait de scie tend à se fermer et à se coincer sur la lame et des rebonds peuvent se produire.

Remarque : Un autocollant d'avertissement est apposé sur le protecteur pour rappeler à l'opérateur certaines consignes de sécurité de base.

Le guide longitudinal doit être réglé pour la largeur de coupe en utilisant l'échelle sur le rail avant, ou en mesurant la distance entre la lame (A) et le guide (B). Écartez-vous de la ligne avec la lame de scie et de la pièce à travailler pour éviter la sciure de bois et les éclats qui jaillissent de la lame, ou un possible rebond.

Si la pièce à travailler n'a pas de bord droit, clouez une planche secondaire à bord droit dessus pour la placer contre le guide. Pour obtenir une coupe correcte, la planche doit avoir un bon contact avec le banc. N'essayez pas de couper des panneaux gauchis.

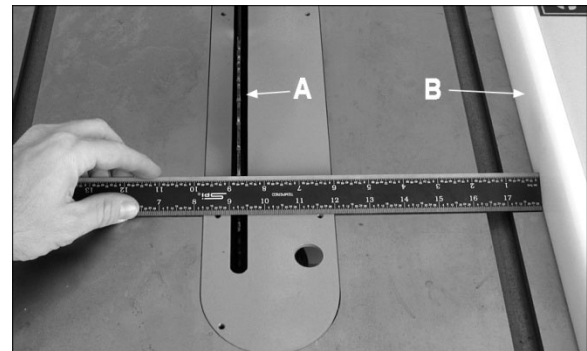


Figure 9-3

Lors du sciage en long, utilisez une main pour maintenir la planche contre le guide ou l'accessoire, et l'autre pour la pousser vers la lame entre la lame et le guide. Si la pièce à travailler fait moins de 6 po de large ou moins de 12 po de longueur, utilisez un poussoir ou un bloc-poussoir pour la pousser entre le guide et la lame (Figure 9-4). Ne la poussez jamais en positionnant votre main de façon à ce qu'elle soit alignée avec la lame. Déplacez votre main qui sert à maintenir la pièce en gardant une distance de sécurité par rapport à la lame lorsque la coupe est presque terminée.

Pour les coupes en long très étroites où il n'est pas possible d'utiliser un poussoir, utilisez un bloc-poussoir ou un guide secondaire. Poussez toujours la pièce complètement au-delà de la lame à la fin d'une coupe pour minimiser les risques de rebond.

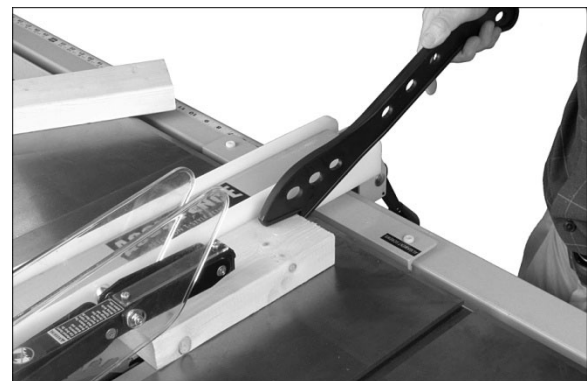


Figure 9-4

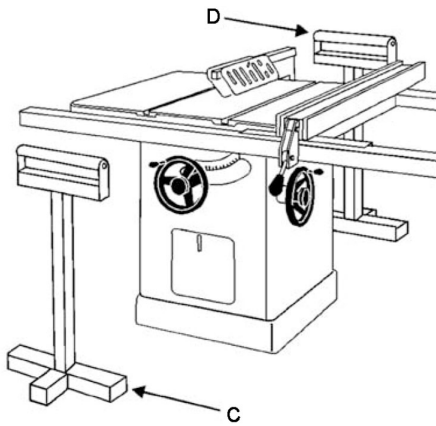


Figure 9-5

Lors du sciage en long de longues planches, utilisez un support à l'avant du banc (C, figure 9-5) comme un support à roulettes, et un support à l'arrière (D) ou « de queue ».

N'utilisez jamais le guide longitudinal au-delà du point où le chariot est au ras de l'extrémité des rails.

La lame doit dépasser d'environ 1/8 po sur le dessus de la pièce à travailler. Exposer la lame au-dessus de ce point peut être dangereux.

9.3 Refente

La refente est une opération de sciage en long qui consiste à découper des planches épaisses en planches plus minces. Remarque : Une scie à ruban est l'outil idéal pour la refente.

AVERTISSEMENT Si le banc de scie est utilisé pour de la refente, prenez des précautions comme l'utilisation d'un guide secondaire, d'une protection de refente ou d'autres dispositifs similaires pour stabiliser la pièce à travailler et garantir la sécurité de l'opérateur.

Les planches étroites, jusqu'à 3 po, peuvent être refendues en un seul passage. Les planche larges, jusqu'à 6 pieds doivent être resciées en deux passages.

Pour la refente de planches plus larges, réglez la hauteur de la lame de façon à ce que les deux coupes se chevauchent de 1/2 po comme cela est illustré dans la figure 9-6. Une première coupe trop profonde peut entraîner un coincement et de possibles effets de rebond sur la deuxième coupe. Utilisez toujours le même côté de la planche contre le guide pour effectuer les deux coupes.

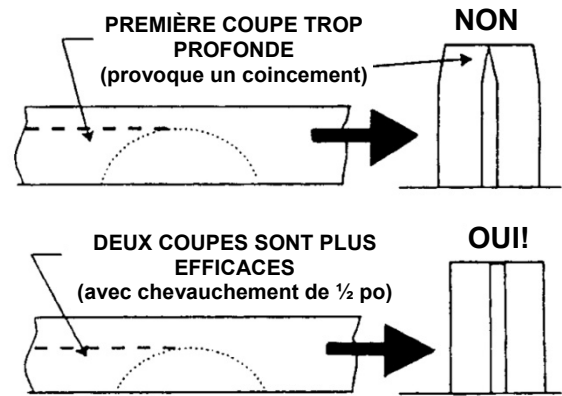


Figure 9-6

9.4 Coupe transversale

Une coupe transversale est une opération qui consiste à introduire la pièce à travailler en contre-fil par rapport à la lame de scie en utilisant une jauge à onglets pour maintenir et positionner la pièce à travailler (Figure 9-7).



Figure 9-7

Une coupe transversale ne devrait **jamais** être effectuée à main levée, et le guide ne doit jamais être utilisé comme butée à moins qu'un bloc auxiliaire (E, Figure 9-8) ne soit installé à l'avant de la lame de façon à ce que la pièce coupée se détache du bloc avant le début de la coupe.

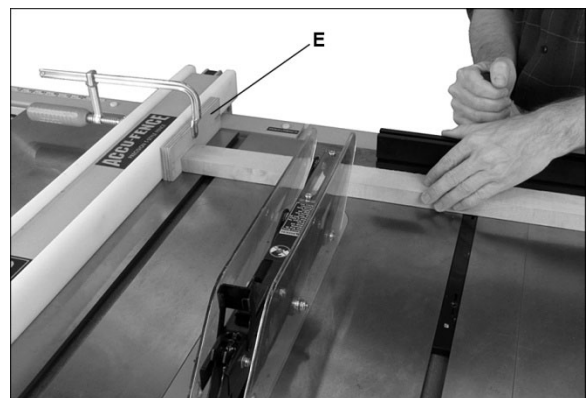


Figure 9-8

Les butées réglables ne doivent pas être utilisées sur l'extrémité libre de la pièce à travailler dans la zone de coupe.

Ne faites pas de coupe transversale pour les pièces à travailler qui font moins de 6 po. Avant de commencer une coupe, assurez-vous que la jauge à onglets est bien installée selon l'angle voulu. Tenez fermement la pièce à travailler contre le banc et contre la jauge à onglets. Utilisez **toujours** le protecteur de la lame et le couteau séparateur, et assurez-vous que ce dernier est correctement aligné.

Pour une coupe transversale à 90 degrés, la plupart des opérateurs préfèrent utiliser la fente gauche de la jauge à onglets. Dans cette position, maintenez la pièce contre la jauge avec la main gauche et utilisez la main droite pour faire avancer la pièce à travailler. Avec la fente droite pour les onglets et une coupe transversale de voilement complexe qui fait que la lame s'incline *en s'écartant* de la jauge, les positions de la main sont inversées.

Quand une jauge à onglets est utilisée, la pièce à travailler doit être fermement maintenue et avancée en douceur et lentement. Si la pièce à travailler peut vibrer si elle n'est pas fermement maintenue, ce qui peut la coincer dans la lame et émousser les dents de la scie.

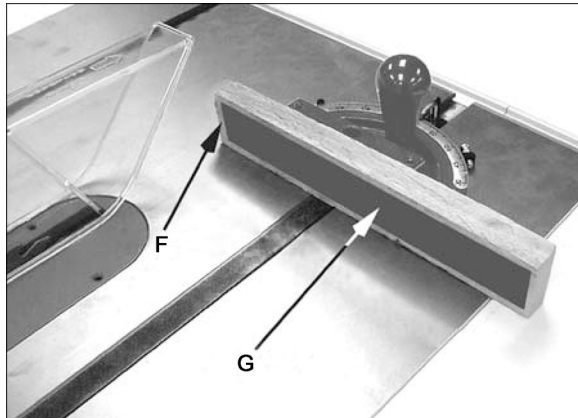


Figure 9-9

Pour augmenter l'efficacité de la jauge à onglets pour les coupes transversales, certains utilisateurs installent une rallonge en bois (F, Figure 9-9) avec une bande de papier de verre (G) collée pour aider à tenir la pièce à travailler.

Mettez un support secondaire pour toute pièce à travailler qui est plus longue que le plateau du banc et qui a tendance à s'affaisser et à remonter par rapport au banc.

La lame doit dépasser d'environ 1/8 po sur le dessus de la pièce à travailler. Exposer la lame au-dessus de ce point peut être dangereux.

9.5 Opérations de coupe en biseau et d'assemblage en onglet

Coupe en biseau – Une coupe en biseau est un type spécial d'opération où la lame de scie est inclinée selon un angle inférieur à 90 degrés par rapport au-dessus du banc (Figure 9-10). Les opérations sont exécutées de la même manière qu'un sciage en long ou qu'une coupe transversale, sauf que le guide et la jauge à onglets devraient être utilisés sur le côté droit de la lame pour assurer une sécurité supplémentaire en évitant les coincements entre la lame et le dessus du banc. Lors d'une coupe en biseau avec la jauge à onglets, la pièce à travailler doit être maintenue fermement pour éviter les glissements.



ATTENTION N'utilisez jamais un insert à jeu nul quand la lame de scie est en position inclinée.



Figure 9-10

Assemblage en onglet – Les coupes transversales faites selon un angle par rapport au bord de la pièce à travailler sont appelées des assemblages en onglet (Figure 9-11). Réglez la jauge à onglets selon l'angle voulu et faites la même coupe qu'une coupe transversale normale, sauf que la pièce à travailler doit être maintenue très fermement pour éviter les glissements.



Figure 9-11

Remarque : Lors de la fabrication d'assemblages en onglet de voilement complexe (avec lame

inclinée), utilisez la jauge à onglets dans la fente **droite** pour avoir plus de dégagement et de sécurité.

La lame ne doit dépasser que d'1/8 po sur le dessus de la pièce à travailler. Exposer la lame au-dessus de ce point peut être dangereux.

9.6 Coupe de rainure

Une coupe de rainure consiste à découper une large rainure dans une pièce à travailler ou une râblure le long du bord d'une pièce à travailler. Pour ce type d'opération, il est nécessaire d'utiliser un insert à rainurer (accessoire en option, illustré à la figure 9-12).

ATTENTION N'utilisez pas l'insert de banc standard pour les opérations de rainurage.



Figure 9-12

Le processus de coupe de rainures entre 1/8 et 13/16 po dans les pièces à travailler s'effectue en utilisant un ensemble de lames doubles à rainurer ou une lame réglable montée sur l'arbre de la scie circulaire. Il est possible d'effectuer une rainure d'une largeur précise en utilisant différentes combinaisons de lames doubles à rainurer ou en réglant correctement le disque sur une lame réglable. C'est très utile pour le rayonnage, faire des joints, des enfourchements, etc.

La protection, le couteau séparateur et les linguets antirecul fournis avec la scie devraient être utilisés pour toutes les opérations de coupe applicables.

Lorsque vous effectuez des opérations où le protecteur ne peut pas être utilisé, comme dans certaines opérations de rainurage, des précautions de sécurité alternatives devraient être prises. Ce sont notamment des poussoirs, des guides de pression, des blocages, des dispositifs de serrage, des gabarits et tout autre dispositif approprié qui peuvent être utilisés pour garder les mains des opérateurs hors de portée de la lame.

À la fin d'une opération nécessitant le démontage de la protection, l'assemblage de la protection doit être replacé sur la machine de manière à être opérationnel.

ATTENTION N'utilisez jamais de scie circulaire double à rainurer en position inclinée. N'utilisez jamais la scie sans le protecteur de lame, le couteau séparateur et les linguets antirecul pour les opérations où ils peuvent être utilisés.

10.0 Dispositifs de sécurité

10.1 Guide de coupe

Les guides de pression, aussi appelés « peignes », peuvent être achetés dans la plupart des magasins d'outils, ou fabriqués par l'opérateur pour s'adapter à des applications particulières. Le guide de pression (Figure 9-13) devrait être fait en bois dur à fil droit d'environ 1 po d'épaisseur et entre 4 et 8 po de largeur selon la taille de la machine. La longueur est déterminée en fonction de l'utilisation prévue.

Les guides de pression peuvent être fixés au banc ou au guide longitudinal avec des serre-joints en C. Alternativement, des trous percés et taraudés dans le plateau du banc permettent d'utiliser des écrous à oreilles et des rondelles comme méthode de serrage. Si cette méthode de fixation est utilisée, mettez des fentes dans le guide de pression pour effectuer le réglage. (L'illustration présente une méthode de fixation et d'utilisation du guide de pression comme un peigne vertical. L'application horizontale est quasiment la même, sauf que la fixation se fait sur le plateau du banc.)

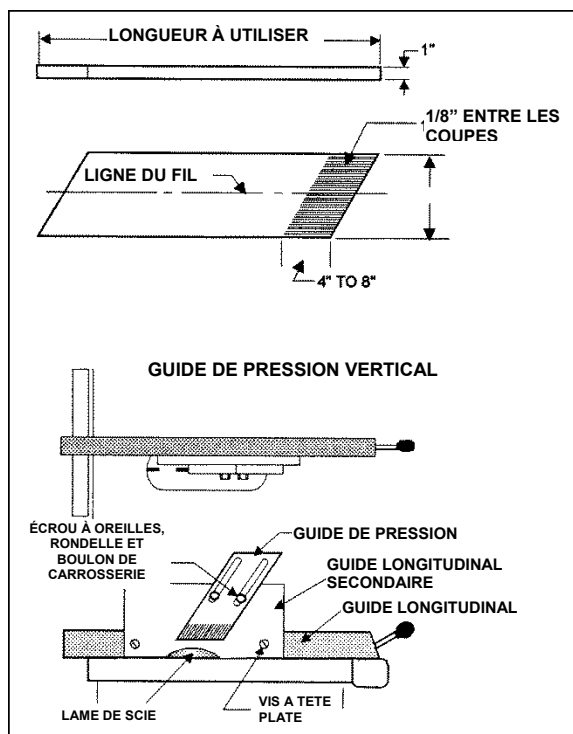


Figure 9-13 : Guide de pression

10.2 Poussoir et bloc-poussoir

L'utilisation d'un bloc poussoir ou d'un poussoir permet un niveau de sécurité supplémentaire pour l'opérateur. Un poussoir est inclus avec votre banc de scie, mais vous pouvez en personnaliser d'autres selon différentes procédures de coupe. Les modèles dans les figures 9-15 et 9-15 présentent des détails de construction.

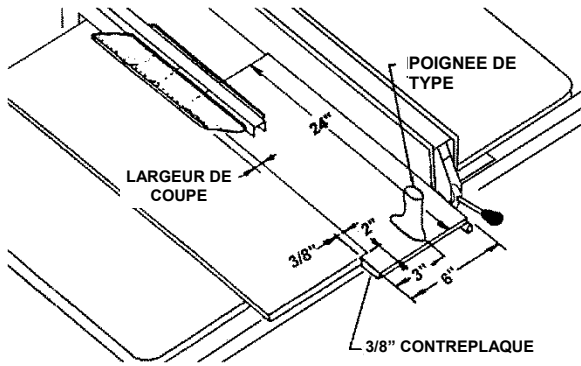
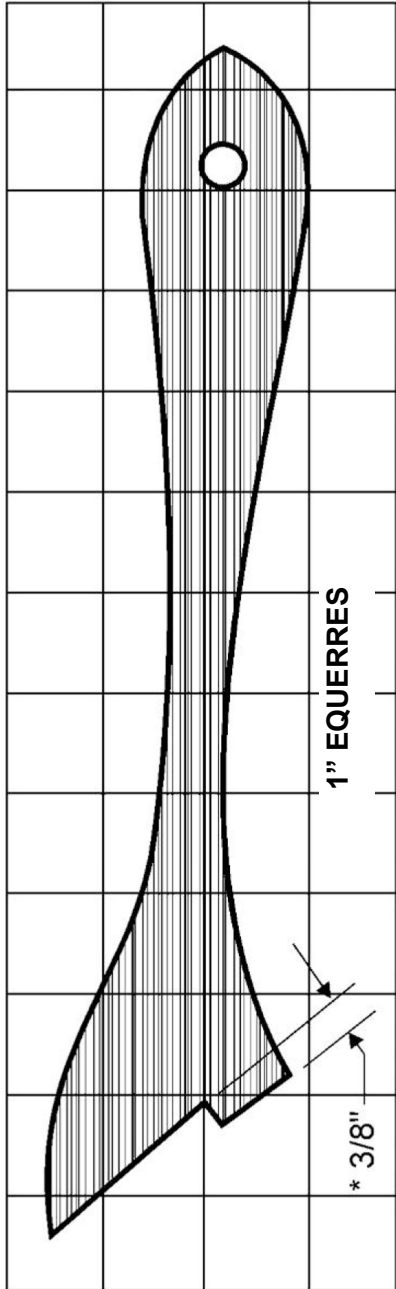


Figure 9-14 : Modèle de bloc-poussoir



* Cette mesure peut varier en fonction de l'épaisseur de la pièce.

Figure 9-15 : Modèle de poussoir

11.0 Entretien par l'utilisateur



Débranchez toujours la machine avant de procéder à l'entretien. Le non-respect des directives peut entraîner des blessures graves.

11.1 Inspection générale

Faites toujours attention à l'état de votre machine. Vérifiez régulièrement l'état des éléments suivants et réparez ou remplacez-les si nécessaire :

- Les boulons de fixation
- L'interrupteur d'alimentation
- La lame de scie
- L'assemblage du protecteur de lame

11.2 Nettoyage

Remarque : Le programme d'entretien suivant suppose que la scie est utilisée quotidiennement.

UNE FOIS PAR JOUR :

- Essuyer la surface de la table et les créneaux en T.
- Nettoyez le pas et la résine de la lame de scie.

UNE FOIS PAR SEMAINE :

- La surface de la table doit être maintenue propre et sans rouille pour obtenir les meilleurs résultats. Pour faciliter cela, appliquez une couche de cire en pâte sur la surface. Vous pouvez sinon vous procurer des produits de protection commerciaux auprès de quincailleries et de magasins d'outillage locaux. Un bon produit de protection devrait protéger la surface contre la rouille sans tacher les pièces à travailler.
- Nettoyez le carter du ventilateur du moteur à l'air comprimé.
- Essayez les rails du guide longitudinal avec du lubrifiant sec.

À L'OCCASION :

- Gardez propres l'intérieur de l'armoire et la zone du tourillon. Aspirez la poussière et les copeaux.
- Vérifiez s'il y a un jeu excessif dans le mécanisme d'inclinaison et de levage, et dans l'arbre de la scie circulaire, et corrigez-le le cas échéant.
- Vérifiez la tension et l'usure de la courroie, et si elle est fissurée, effilochée, etc.

11.3 Lubrification

- Graissez les vis sans fin d'inclinaison, de levage, et les zones du tourillon avec une graisse non durcissante de bonne qualité.
- Vérifiez tous les réglages après la lubrification, comme l'action du volant, les butées de la lame, le réglage du DRO, etc.

11.4 Démontage de l'arbre et des roulements de l'arbre

L'arbre de la scie circulaire est *emmanché à force* dans le logement du bras de levage la scie. Si l'arbre doit être démonté pour remplacer les roulements, ce doit être effectué par un technicien d'entretien qualifié. Contacter le service à la clientèle de Powermatic.

11.5 Entretien supplémentaire

Tout entretien supplémentaire doit être effectué par le personnel du service autorisé.

12.0 Accessoires en option

Ces accessoires (achetés séparément) peuvent améliorer les fonctionnalités de votre banc de scie PM2000B. Contactez votre revendeur pour commander, ou appelez Powermatic au numéro de téléphone indiqué sur la couverture. D'autres accessoires peuvent être disponibles; consultez notre site Web.



1791788B – Insert à rainurer



1791786B – Insert à jeu nul



1791791C – Couteau séparateur à trait de scie fin et profil haut de 0,079 po (2,0 mm) d'épaisseur



1791792B – Couteau séparateur à trait de scie fin et profil bas de 0,079 po (2,0 mm) d'épaisseur

13.0 Dépannage de la scie d'ébéniste PM2000B

13.1 Problèmes moteurs et électriques

Symptôme	Cause possible	Solution
La scie ne veut pas démarrer.	Aucun courant entrant.	Vérifiez les branchements des prises.
	La clé de sécurité est retirée de l'interrupteur.	Installez la clé de sûreté.
	Basse tension.	Vérifiez la ligne électrique pour avoir une tension adéquate.
	Circuit ouvert dans le moteur ou connexions lâches.	Inspectez toutes les connexions sur le moteur afin de s'assurer que les bornes ne sont ni lâches, ni ouvertes.
	Câble d'alimentation endommagé.	Remplacez le câble.
La scie ne veut pas démarrer : un fusible saute ou un disjoncteur se déclenche.	Court-circuit dans la ligne électrique ou dans la prise.	Inspectez le câble ou la prise afin de s'assurer que l'isolation n'est pas endommagée et que les fils ne sont pas court-circuités.
	Court-circuit dans le moteur ou connexions lâches.	Inspectez toutes les connexions sur le moteur afin de s'assurer que les bornes ne sont ni lâches, ni court-circuitées ou que l'isolation n'est pas usée.
	Fusibles ou disjoncteurs incorrects dans la ligne électrique.	Installez les fusibles ou les disjoncteurs adéquats.
Le moteur démarre lentement ou n'atteint pas sa vitesse maximale.	Basse tension.	Demandez à la compagnie d'électricité de vérifier la tension et de corriger la condition de basse tension.
	Ligne électrique surchargée.	Corriger la condition de surcharge. Utilisez un circuit dédié pour le banc de scie.
	Câbles sous-dimensionnés dans le système d'alimentation.	Augmenter le calibre du fil d'alimentation.
	Contacteur centrifuge non enclenché.	Remplacez le contacteur centrifuge (personnel qualifié uniquement).
	Le moteur ne fonctionne pas bien.	Faites vérifier le moteur par un inspecteur qualifié. Réparer ou remplacer.
Surchauffe du moteur.	Moteur surchargé.	Réduisez la charge du le moteur.
	Refroidissement incorrect du moteur; circulation d'air insuffisante.	Nettoyez la sciure de bois dans le ventilateur et des conduits du moteur.
Le moteur s'arrête, causant des fusibles grillés et des disjoncteurs déclenchés.	Moteur surchargé.	Réduisez la charge du le moteur.
	Court-circuit dans le moteur ou connexions lâches.	Inspectez les connexions sur le moteur afin de s'assurer que les bornes ne sont ni lâches, ni court-circuitées ou que l'isolation n'est pas usée.
	Basse tension.	Conditions adéquates de basse tension.
	Fusibles ou disjoncteurs incorrects dans la ligne électrique.	Installez les fusibles ou les disjoncteurs adéquats.

Tableau 4

13.2 Problèmes mécaniques et opérationnels

Le moteur cale, ou la pièce à travailler se coince ou brûle.	Alimentation trop importante.	Réduisez l'alimentation.
	Lame émoussée ou incorrecte.	Remplacez la lame; utilisez le type de lame approprié pour la coupe requise.
	La fente de l'onglet est mal alignée.	Réaligner le banc avec la lame.
	Le guide est mal aligné.	Réalignez le guide (voir le manuel Accu-Fence).
La machine ralentit ou cale en fonctionnement.	Le moteur ne fonctionne pas bien.	Faites vérifier le moteur par un inspecteur qualifié. Réparer ou remplacer.
	Trop de pression est appliquée sur la pièce à travailler.	Faites avancer plus doucement la pièce à travailler.
Un son bruyant et répétitif provient de la machine.	La courroie d'entraînement en poly-v est lâche.	Tendez la courroie.
	Des vis de calage des poulies ou des clavettes sont manquantes ou desserrées.	Inspectez les clavettes et les vis de calage. Remplacez-les ou resserrez-les le cas échéant.
Vibrations trop importantes.	Le ventilateur du moteur cogne sur le couvercle.	Serrez le ventilateur ou calez le couvercle.
	La courroie trapézoïdale est défectueuse.	Remplacez la courroie trapézoïdale.
	Les boutons de verrouillage d'inclinaison ou de levage ne sont pas serrés.	Serrez les boutons de verrouillage sur les volants
Vibrations trop importantes.	Le système des roulettes est toujours enclenché.	Bloquez les roulettes avant d'utiliser la scie.
	La machine n'est pas installée à plat sur le sol.	Assurez-vous que le sol est à niveau; utilisez des cales sous l'armoire au besoin.
	La lame est déséquilibrée.	Remplacez la lame.
	La poulie est desserrée.	Vérifiez la poulie du moteur et la poulie de la broche. Resserrez les vis de calage le cas échéant.
	La courroie est usée, fissurée ou effilochée.	Remplacer la courroie.
	Le moteur ne fonctionne pas bien.	Faites vérifier le moteur par un inspecteur qualifié. Réparer ou remplacer.
La lame n'est pas d'équerre avec la fente d'onglet, ou le guide n'est pas d'équerre avec la lame.	La lame est gauchie.	Remplacer la lame de la scie.
	Le plateau du banc n'est pas parallèle à la lame.	Ajustez le banc pour qu'il soit parallèle à la lame.
	Le guide n'est pas parallèle à la lame.	Ajustez le guide pour qu'il soit parallèle à la lame.
La lame n'atteint pas un angle de 90 degrés.	La butée à 90 degrés est mal réglée.	Ajustez la butée à 90 degrés.
Les coupes ne sont pas à l'équerre lors des coupes transversales.	La jauge à onglets est mal réglée.	Réinitialisez les butées et le pointeur sur la jauge.
	La fente de l'onglet est mal alignée.	Réaligner le banc avec la lame.
Les coupes ne sont pas correctes à 90 ou 45 degrés.	Les vis de butée ne sont pas serrées correctement.	Réajustez les vis de calage.

Les volants d'inclinaison et de levage sont difficiles à tourner.	Le bouton de verrouillage n'est pas desserré.	Desserrez le bouton de verrouillage.
	La vis sans fin et le segment du tourillon sont collés avec de la sciure de bois et du brai.	Nettoyez et graissez à nouveau la vis sans fin et le segment.
	Le segment des vers et du tourillon n'est pas aligné.	Réalignez la vis sans fin avec le segment (par du personnel qualifié).

Tableau 5

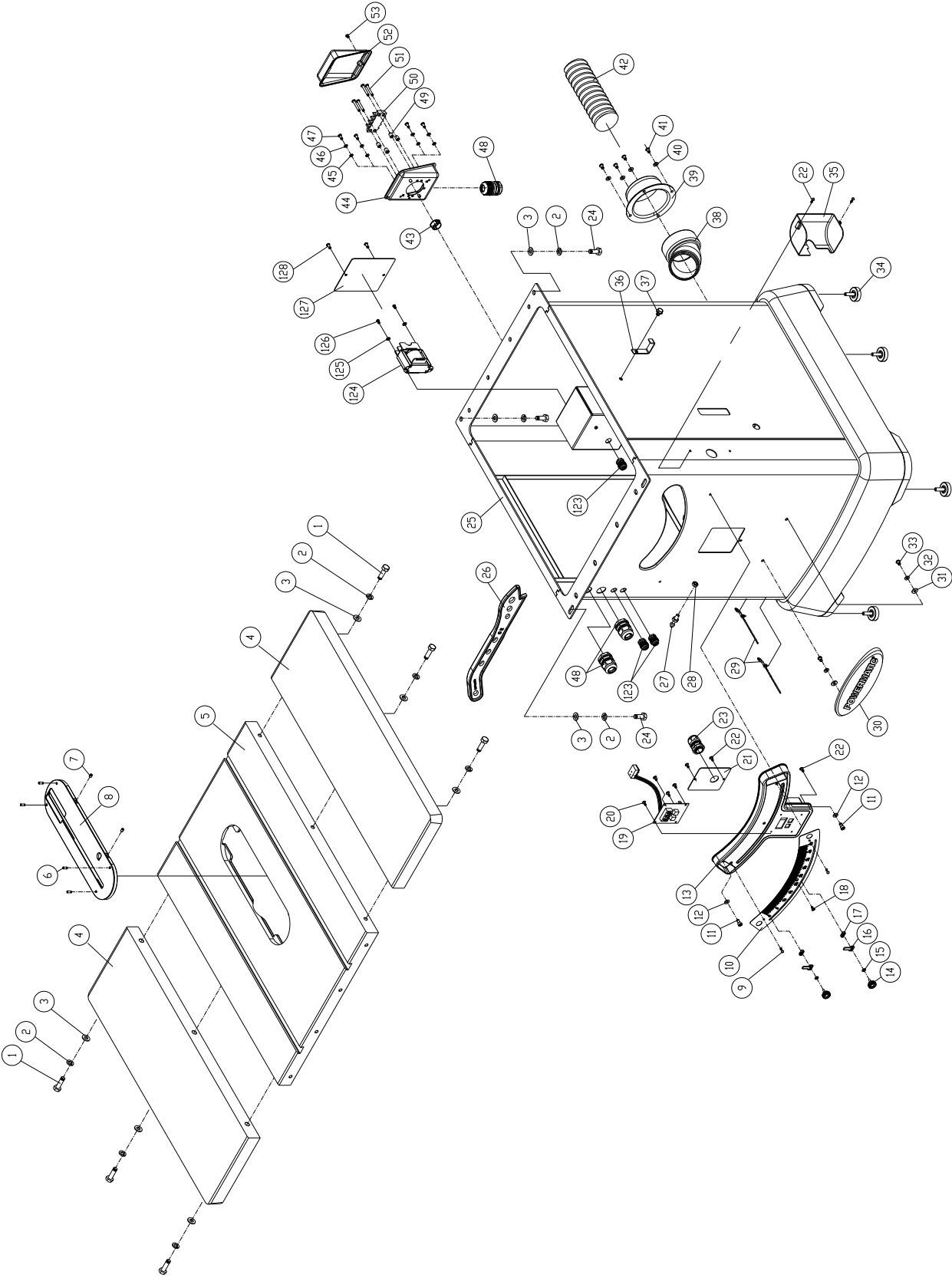
14.0 Pièces de rechange

Les pièces de rechange sont répertoriées dans les pages suivantes. Pour commander des pièces ou rejoindre notre service après-vente, composez le 1-800-274-6848 du lundi au vendredi (voir notre site Web pour nos heures d'ouverture, www.powermatic.com). Avoir le numéro de modèle et le numéro de série de votre machine en main lorsque vous appelez nous permettra de vous servir rapidement et adéquatement.

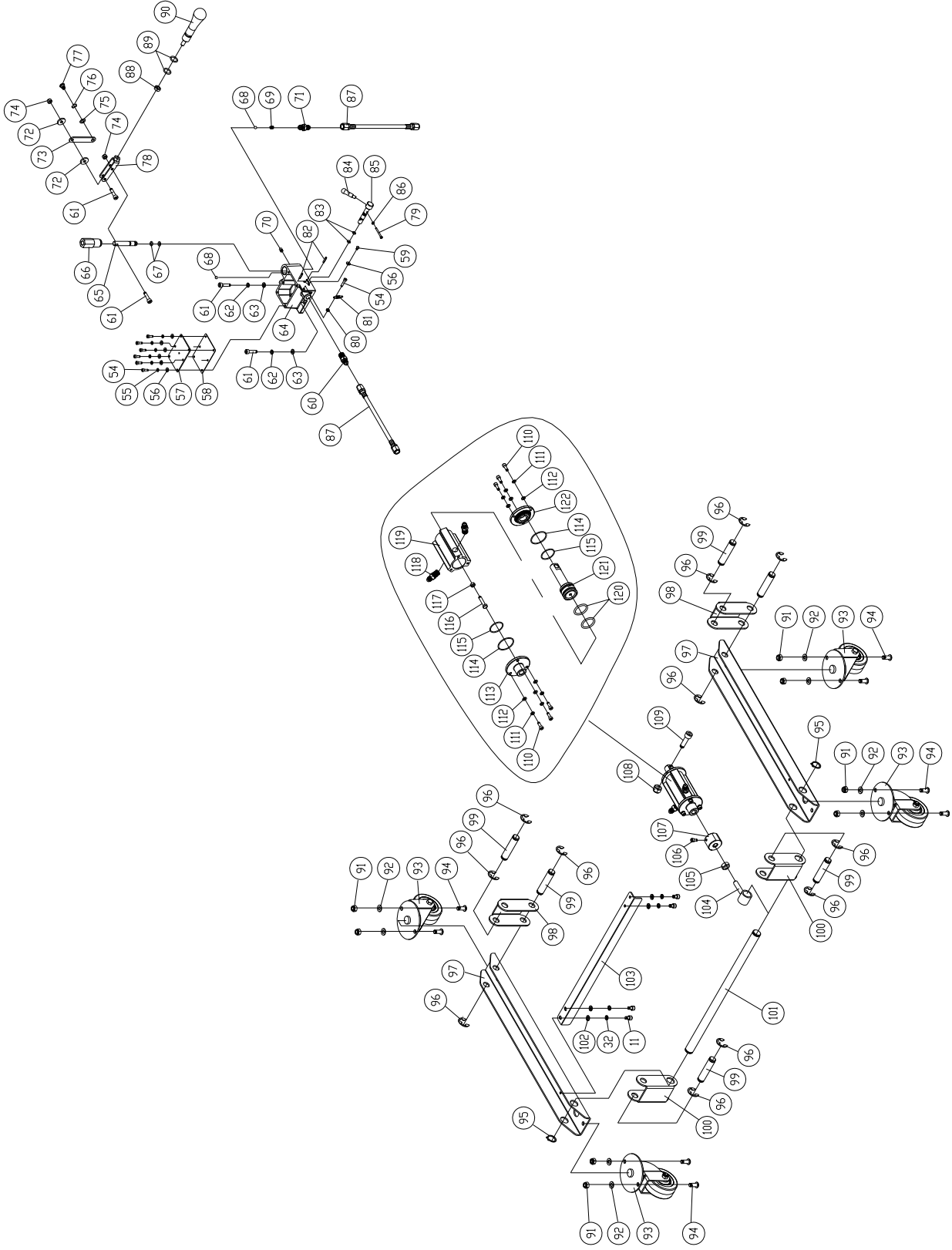
Les pièces non brevetées, comme les attaches, peuvent être trouvées dans les quincailleries locales ou peuvent être commandées auprès de Powermatic.

Certaines pièces sont illustrées uniquement à titre indicatif et peuvent ne pas être disponibles individuellement.

14.1.1 PM2000B Ensemble du banc et de l'armoire I – Vue éclatée



14.1.2 PM2000B Ensemble du banc et de l'armoire II – Vue éclatée



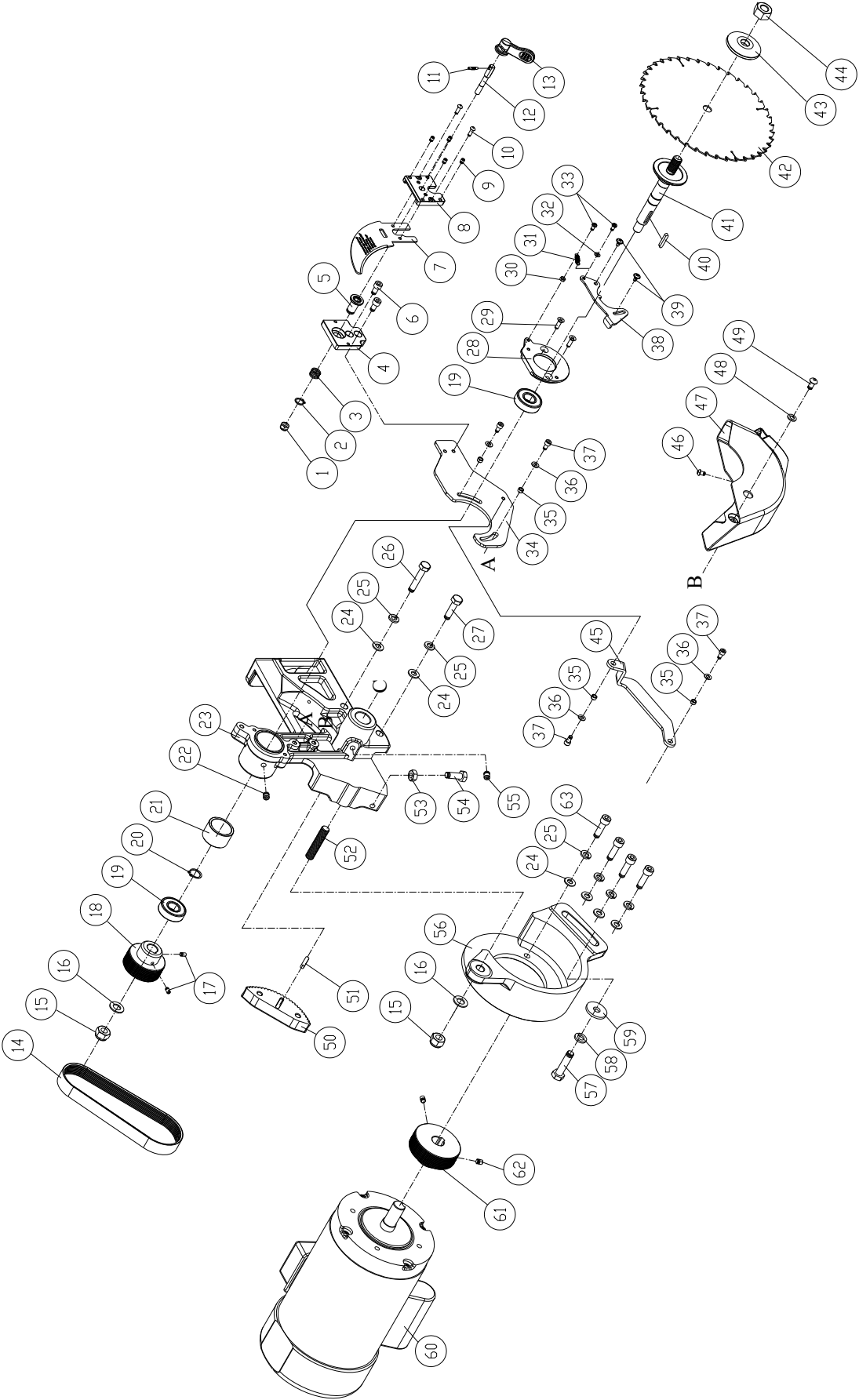
14.1.3 PM2000B Ensemble du banc et de l'armoire – Liste de pièces

No d'Index	No des pièce	Description	Dimension	Qté
1	TS-149105	Vis à tête hexagonale	M10-1,5 x 35 L	6
2	TS-2361101	Rondelle de blocage	M10	10
3	TS-1550071	Rondelle plate	10 x 20 x 2,0 T	10
4	PM2000B-104	Table à allonges		2
5	PM2000B-105	Table		1
6	F010395L	Vis de pression à tête creuse CPP avec enduit frein pour filets	M5-0,8 x 12 L	4
7	PM2000B-107	Piston		2
8	PM2000B-108	Insert de table		1
	PM2000B-108TIA	Ensemble de insert de table (inclut num 6,7,8)		1
9	PM2000B-109	Vis taraudeuse cruciforme à tête creuse	M4-1.41P x 12L	2
10	PM2000B-110	Échelle d'angle d'inclinaison		1
11	TS-1503031	Vis à chapeau à tête creuse	M6-1,0 x 12 L	6
12	TS-1550041	Rondelle plate	6,2 x 13 x 1,5 T mm	2
13	PM2000B-113	Base d'échelle avec étiquette		1
14	PM2000B-114	Bouton de référence d'angle		2
15	TS-1550031	Rondelle plate	5.2 x 10 x 1.0 T mm	2
16	PM2000B-116	Référence d'angle spécifique		2
17	PM2000B-117	Écrou spécial		2
18	PM2000B-118	Vis taraudeuse cruciforme à tête plate	M4-1,41 P x 10 L	1
19	PM2000B-119	Ensemble de capteurs		1
20	PM2000B-120	Vis taraudeuse cruciforme à tête cylindrique	M3 x 1,06 P x 10 L	4
21	PM2000B-121	Couvercle de la boîte du DRO		1
22	PM2000B-122	Vis taraudeuse cruciforme à tête ronde	M4 x 1,41 P x 10 L	5
23	PM2000B-123	Serre-câble	PGA16-14 B	1
24	TS-1491031	Vis à tête hexagonale	M10-1,5 x 25 L	4
25	PM2000B-125	Armoire (pour 3HP 1PH et 5HP 1PH)		1
	PM2000B-125A	Armoire (pour 5HP 3PH)		1
26	PM2000B-126	Poussoir		1
27	PM2000B-127	Bouchon		1
28	TS-2311081	Écrou hexagonal	M8-1,25	1
29	PM2000B-129	Collier de serrage		2
30	PM2000B-130	Logo do Powermatic		1
31	TS-1550041	Rondelle plate	6,7 x 16 x 2,0 T mm	2
32	TS-0720071	Rondelle de blocage	1/4 po	6
33	PM2000B-133	Vis mécanique cruciforme à tête ronde	1/4 po-20 UNC x 3/8 po L2	
34	PM2000B-134	Pied de réglage		4
35	PM2000B-135	Couvercle de l'ensemble de capteurs		1
36	PM2000B-136	Support		1
37	PM2000B-137	Vis à tête hexagonale avec rondelle plate	M8-1,25 x 12 L	1
38	PM2000B-138	Adaptateur pour capteur de poussière		1
39	PM2000B-139	Orifice d'échappement de la poussière		1
40	TS-1550041	Rondelle plate	6,2 x 13 x 1,5 T mm	4
41	TS-2246122	Vis bouton à pans creux	M6-1,0 x 12 L	4
42	PM2000B-142	Tuyau du capteur de poussière		1
43	PM2000B-143	Rondelle isolante		1
44	PM2000B-144	Boîtier du terminal		1
45	F002097	Rondelle de blocage, denture extérieure	M5	4
46	TS-1550031	Rondelle plate	5,3 x 10 x 2,0 T mm	4
47	TS-1533042	Vis mécanique cruciforme à tête cylindrique	M5-0,8 x 12 L	4
48	PM2000B-148	Serre-câble (uniquement pour 3HP, 1PH)	MG25AS-14B	1
	PM2000B-148A	Serre-câble (uniquement pour 5HP, 1PH et 5HP, 3PH)	MG25A-18B	1
49	PM2000B-149	Entretoise		4
50	PM2000B-150	Plaque à bornes		1
51	F001221	Vis mécanique cruciforme à tête cylindrique	M5-0,8 x 35 L	4
52	PM2000B-152	Couvercle de boîtier de connexions		1
53	F000648	Vis mécanique cruciforme à tête cylindrique	#10-24 UNC x 1/4 L	1
54	TS-1501041	Vis à chapeau à tête creuse	M4-0,7 x 12 L	7
55	TS-2361041	Rondelle de blocage	M4	6
56	TS-1550021	Rondelle plate	4,3 x 10 x 1,0 T mm	7

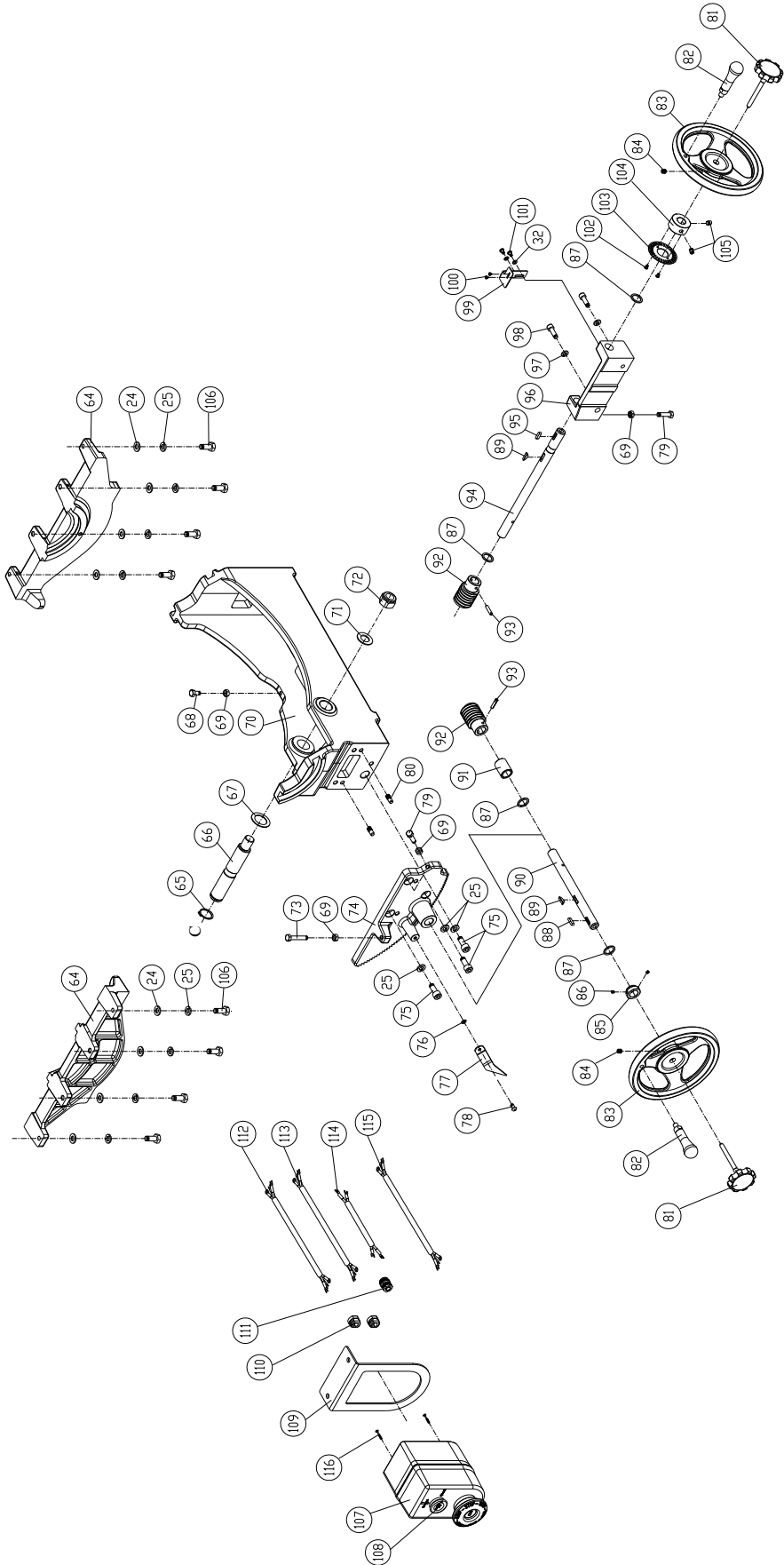
No d'Index	No des pièce	Description	Dimension	Qté
57	PM2000B-157	Couvercle de réservoir d'huile		1
58	PM2000B-158	Joint		1
59	F009923	Vis bouton à tête creuse	M4-0,7 x 6 L	1
60	PM2000B-160	Raccord de tuyau d'huile	PT1/4 po x PH1/4 po	1
61	TS-1503061	Vis à chapeau à tête creuse	M6-1,0 x 25L	4
62	TS-1551041	Rondelle de blocage	M6	2
63	TS-1550041	Rondelle plate	6,4 x 11,5 x 1,6 T mm	2
64	PM2000B-164	Réservoir d'huile		1
65	PM2000B-165	Arbre de pompe		1
66	PM2000B-166	Manchon de pompe		1
67	JMS10SCMS-43	Joint torique	P7	2
68	SB-6MM	Bille en acier	6 Dia.	2
69	PM2000B-169	Ressort de pression		1
70	TS-2276081	Vis de pression à tête creuse	M6-1,0 x 8 L	1
71	PM2000B-171	Raccord de tuyau d'huile	TH1/4 po x TH1/4 po	1
72	TS-1550041	Rondelle plate	6,2 x 20 x 3,0 T mm	2
73	PM2000B-173	Attelage		1
74	TS-1541021	Écrou hexagonal à frein élastique	M6-1,0	2
75	TS-1541031	Rondelle plate	8,5 x 16 x 1,0 T mm	1
76	JMS10SCMS-37	Rondelle élastique ondulée	VW-8	1
77	PM2000B-177	Vis à épaulement		1
78	PM2000B-178	Attelage		1
79	F005344	Vis à chapeau à tête creuse	M3-0,5 x 20 L	1
80	TS-1540021	Écrou hexagonal	M4-0,7	1
81	PM2000B-181	Ressort de tension		1
82	F012097	Goupille cylindrique	3 x 16 mm	2
83	CK350-722	Joint torique	P5	2
84	PM2000B-184	Bouton		1
85	PM2000B-185	Arbre de vidange d'huile		1
86	TS-1540011	Écrou hexagonal	M3-0,5	1
87	PM2000B-187	Ensemble de tuyau d'huile		2
88	TS-1540061	Écrou hexagonal	M8-1,25	1
89	5784696	Joint torique	P15	2
90	PM2000B-190	Poignée de pompe		1
91	TS-1541031	Écrou hexagonal à frein élastique	M8-1,25	8
92	TS-1550061	Rondelle plate	8 x 16 x 1,6 T mm	8
93	PM2000B-193	Roulette		4
94	TS-2248202	Vis bouton à tête creuse	M8-1,25 x 20 L	8
95	F006047	Anneau de retenue de type C, Ext	STW-20	2
96	F006088	Anneau de retenue de type E, Ext	ETW-15	12
97	PM2000B-197	Attelage		2
98	PM2000B-198	Support de roulette d'entraînement		2
99	PM2000B-199	Pivot		6
100	PM2000B-1100	Support de roulette entraînée		2
101	PM2000B-1101	Tige de connexion		1
102	TS-1550041	Rondelle plate	6,3 x 13 x 1,0 T mm	4
103	PM2000B-1103	Brace		1
104	PM2000B-1104	Bague de connexion		1
105	TS-2311121	Écrou hexagonal	M12-1,75	1
106	F005363L	Vis à chapeau à tête creuse avec enduit frein pour filets	M5-0,8 x 10 L	1
107	PM2000B-1107	Écrou spécial		1
108	TS-2342101	Écrou hexagonal à frein élastique	M10-1,5	1
109	TS-1505061	Vis à chapeau à tête creuse	M10-1,5 x 40 L	1
	PM2000B-HCA	Ensemble de cylindre hydraulique (inclut num 110 à 122)		1
110	HVBS710SG-314	Vis à chapeau à tête creuse	M5-0,8 x 15 L	6
111	TS-1551031	Rondelle de blocage	M5	6
112	TS-1550031	Rondelle plate	5,2 x 10 x 1,0 T mm	6
113	PM2000B-1113	Flasque côté N		1
114	PM2000B-1114	Joint torique	AS029	2
115	PM2000B-1115	Joint torique	AS026	2
116	TS-1482061	Vis à tête hexagonale	M6-1,0 x 30 L	1
117	TS-2311061	Écrou hexagonal	M6-1,0	1

No d'Index	No des pièce	Description	Dimension	Qté
118	PM2000B-1118	Raccord de tuyau d'huile	PT1/4 po x PH1/4 po	2
119	PM2000B-1119	Cylindre hydraulique		1
120	PM2000B-1120	Joint torique	P29	2
121	PM2000B-1121	Piston		1
122	PM2000B-1122	Flaque côté moteur		1
123	PM2000B-1123	Serre-câble	MGB16-10B	3
124	PM2000B-1124	Ensemble de transformateur avec fusible		1
125	TS-1550021	Rondelle plate	4,3 x 10 x 1,0 T mm	2
126	TS-2284082	Vis mécanique cruciforme à tête cylindrique	M4-0,7 x 8 L	2
127	PM2000B-1127	Couvercle de boîte à transformateurs		1
128	F009884	Vis bouton à tête creuse	M5-0,8 x 8L	2
129	PM2000B-1129	Fusible	2A x 250V	2
	LM000304	Étiquette Avertissement (non illustrée)		1
	LM000305	Étiquette ID, PM2000B, 3HP 1PH (non illustrée)		1
	LM000312	Étiquette ID, PM2000B, 5HP 1PH (non illustrée)		1
	LM000313	Étiquette ID, PM2000B, 5HP 3PH (non illustrée)		1
	CL-HV	Étiquette Attention - Haute tension (non illustrée)		2
	PM2000B-1133	Bande noire (non illustrée)	1 po de large	par pi.
	LM000307	Étiquette - Monter roulette (non illustrée)		1
	LM000308	Étiquette - Baisser roulette (non illustrée)		1

14.2.1 PM2000B Ensemble du moteur et du tourillon I – Vue éclatée



14.2.2 PM2000B Ensemble du moteur et du tourillon II – Vue éclatée



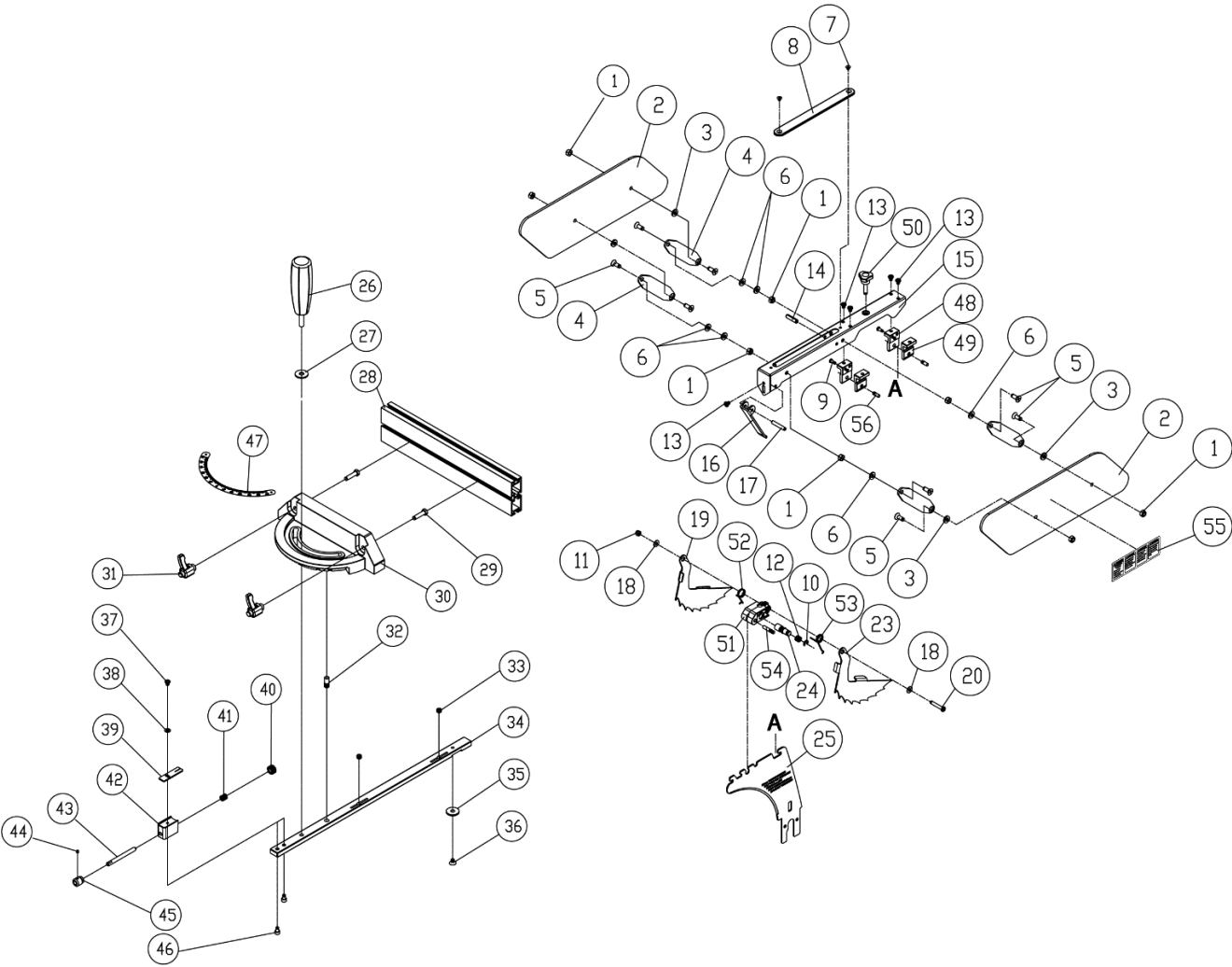
14.2.3 PM2000B Ensemble du moteur et du tourillon – Liste de pièces

No d'Index	No des pièce	Description	Dimension	Qté
1	TS-1541031	Écrou hexagonal à frein élastique	M8-1,25	1
2	F006042	Anneau de retenue de type C, Ext	STW-14	1
3	PM2000B-203	Ressort de pression		1
4	PM2000B-204	Base fixe de couteau séparateur		1
5	PM2000B-205	Bloc de serrage		1
6	TS-1504031	Vis à chapeau à tête creuse	M8-1,25 x 16 L	2
7	PM2000B-207	Couteau séparateur à profil bas	0,1 po (2,5 mm) d'épaisseur	1
8	PM2000B-208	Pinceur de travail de couteau séparateur		1
9	TS-2276081	Vis de pression à tête creuse	M6-1,0 x 8 L	4
10	TS-2245162	Vis bouton à tête creuse	M5-0,8 x 16 L	2
11	PM2000B-211	Goupille pleine		1
12	PM2000B-212	Arbre		1
13	PM2000B-213	Levier		1
14	VB-220J10	Courroie en poly-v	220J-10	1
15	TS-2342141	Écrou hexagonal à frein élastique	M14-2,0	2
16	TS-155009	Rondelle plate	14,2 x 26 x 2 T mm	2
17	F010401L	Vis de pression à tête creuse CPP avec enduit frein pour filets	M6-1,0 x 8 L	2
18	PM2000B-218	Poulie d'arbre		1
19	BB-6204VV	Roulement à billes	6204VV	2
20	F006047	Anneau de retenue de type C, Ext	STW-20	1
21	PM2000B-221	Bague		1
22	F010414L	Vis de pression à tête creuse CPP avec enduit frein pour filets	M10-1,5 x 10 L	1
23	PM2000B-223	Bras de palier		1
24	TS-1550071	Rondelle plate	10 x 20 x 2,0 T mm	14
25	TS-2361101	Rondelle de blocage	M10	17
26	JTS315PST-08	Vis à tête hexagonale	M10-1,5 x 55 L	1
27	TS-1491061	Vis à tête hexagonale	M10-1,5 x 40 L	1
28	PM2000B-228	Plaque fixe		1
29	TS-2286201	Vis à métaux à tête plate Phillips	M6-1,0 x 20 L	2
30	TS-1540031	Écrou hexagonal	M5-0,8	1
31	PM2000B-231	Ressort de tension		1
32	TS-1550031	Rondelle plate	5,3 x 10 x 2,0 T mm	3
33	F001208L	Vis à métaux à tête cylindrique à dépouille avec enduit frein pour filets	M5-0,8 x 8 L	2
34	PM2000B-234	Plaque de rallonge de couteau séparateur		1
35	PM2000B-235	Bague		4
36	TS-1550041	Rondelle plate	6,3 x 13 x 1,0 T mm	4
37	F005267L	Vis à chapeau à tête creuse avec enduit frein pour filets	M6-1,0 x 12 L	4
38	PM2000B-238	Commande de verrouillage de la broche		1
39	PM2000B-239	Vis à épaulement		2
40	6291479	Clavette plate, Dbl Rd Hd	5 x 5 x 30 mm	1
41	PM2000B-241	Arbre		1
42	PM2000B-242	Lame de scie	10 po 40T 5/8A ATB	1
43	PM2000B-243	Bride		1
44	PM2000B-244	Écrou		1
45	PM2000B-245	Liaison		1
46	F009893L	Vis bouton à tête creuse avec enduit frein pour filets	M6-1,0 x 10 L	1
47	PM2000B-247	Capteur de poussière		1
48	TS-1550061	Rondelle plate	8,5 x 16 x 1,5 T mm	1
49	TS-2248162	Vis bouton à tête creuse	M8-1,25 x 16 L	1
50	PM2000B-250	Bloc de transmission de l'élévation		1
51	DT45-110	Clavette plate, Dbl Rd Hd	6 x 6 x 30 mm	1
52	PM2000B-252	Vis de pression à tête creuse	M14-2,0 x 70 L	1
53	TS-2311101	Écrou hexagonal	M10-1,5	1
54	TS-1491041	Vis à tête hexagonale	M10-1,5 x 30 L	1
55	F010418L	Vis de pression à tête creuse CPP avec enduit frein pour filets	M10-1,5 x 25 L	1
56	PM2000B-256	Support de rotation du moteur		1

No d'Index	No des pièce	Description	Dimension	Qté
57	TS-1492051	Vis à tête hexagonale	M12-1,75 P x 50 L	1
58	TS-2361121	Rondelle de blocage	M12	1
59	PM2000B-259	Rondelle plate	13 x 28 x 3,0 T mm	1
60	PM2000B-260	Moteur	3HP 230V 60Hz 1PH	1
	PM2000B-260SC	Condensateur de démarrage	400 µF 125 Vca	1
	PM2000B-260RC	Condensateur de fonctionnement	40 µF 350 Vca	1
	PM2000B-260CC	Couvercle de condensateur		2
	PM2000B-260F	Ventilateur		1
	PM2000B-260FC	Couvercle de ventilateur		1
	PM2000B-260CS	Interrupteur centrifuge		1
	LM000316	Étiquette de moteur, PM2000B (3HP 1PH)		1
	PM2000B-260A	Moteur	5HP 230V 60Hz 1PH	1
	PM2000B-260ASC	Condensateur de démarrage	400 µF 250 Vca	1
	PM2000B-260ARC	Condensateur de fonctionnement	30 µF 500 Vca	1
	PM2000B-260CC	Couvercle de condensateur		1
	PM2000B-260ARCC	Couvercle de condensateur de fonctionnement		1
	PM2000B-260AF	Ventilateur		1
	PM2000B-260AFC	Couvercle de ventilateur		1
	PM2000B-260CS	Interrupteur centrifuge		1
	LM000317	Étiquette de moteur, PM2000B (5HP 1PH)		1
	PM2000B-260B	Moteur	5HP 230/460V 60Hz 3PH	1
	PM2000B-260F	Ventilateur		1
	PM2000B-260FC	Couvercle de ventilateur		1
	LM000318	Étiquette de moteur, PM2000B (5HP 3PH)		1
61	PM2000B-261	Poulie du moteur		1
62	PM2000B-262	Vis de pression à tête creuse CPP avec enduit frein pour filets	M8-1,25 x 20 L	2
63	TS-1505051	Vis à chapeau à tête creuse	M10-1,5 x 35 L	4
64	PM2000B-264	Tourillon		2
65	F006051	Anneau de retenue de type C, Ext	STW-28	1
66	PM2000B-266	Arbre		1
67	PM2000B-267	Rondelle en nylon		1
68	TS-1490021	Vis à tête hexagonale	M8-1,25 x 16 L	1
69	TS-2311081	Écrou hexagonal	M8-1,25	4
70	PM2000B-270	Tourillon central		1
71	PM2000B-271	Rondelle plate	21 x 38 x 3 T mm	1
72	PM2000B-272	Écrou hexagonal à frein élastique	M20-1,5 P	1
73	TS-1490081	Vis à tête hexagonale	M8-1,25 x 45 L	1
74	PM2000B-274	Bloc de transmission de l'inclinaison		1
75	TS-1505031	Vis à chapeau à tête creuse	M10-1,5 x 25 L	3
76	JWBS100S-107	Rondelle de blocage, denture extérieure	M6	1
77	PM2000B-277	Pointeur d'angle		1
78	TS-2246122	Vis bouton à pans creux	M6-1,0 x 12 L	1
79	TS-1490051	Vis à tête hexagonale	M8-1,25 x 30 L	2
80	PM2000B-280	Goupille cylindrique		2
81	PM2000B-281	Bouton de blocage		2
82	PM2000B-282	Poignée		2
83	PM2000B-283	Volant		2
84	F010052L	Vis de pression à tête creuse CPP avec enduit frein pour filets	5/16 po-18 UNC x 5/16 po	2
85	PM2000B-285	Bague		1
86	F010449L	Vis de pression à tête creuse CPP avec enduit frein pour filets	M5-0,8 x 5 L	2
87	PM2000B-287	Rondelle en nylon	19,1 x 25,4 x 1,6 T mm	4
88	5509207	Clavette plate, Dbl Rd Hd	5 x 5 x 20 mm	1
89	PM2000B-289	Clavette Woodruff		2
90	PM2000B-290	Arbre de volant d'élévation		1
91	PM2000B-291	Bague		1
92	PM2000B-292	Arbre de vis sans fin		2
93	F012076	Goupille cylindrique	5 x 30 mm	2
94	PM2000B-294	Arbre de volant d'inclinaison		1
95	5783961	Clavette plate, Dbl Rd Hd	5 x 5 x 18 mm	1

No d'Index	No des pièce	Description	Dimension	Qté
96	PM2000B-296	Base d'arbre de vis sans fin d'inclinaison		1
97	TS-2361081	Rondelle de blocage	M8	2
98	TS-1504061	Vis à chapeau à tête creuse	M8-1,25 x 30 L	2
99	PM2000B-299	Support		1
100	PM2000B-2100	Vis taraudeuse à tête cylindrique Phillips	M3-1,06 x 6 L	2
101	F001208	Vis mécanique cruciforme à tête cylindrique	M5-0,8 x 8 L	2
102	TS-2171012	Vis mécanique cruciforme à tête cylindrique	M4-0,7 x 6 L	2
103	PM2000B-2103	Disque d'induction		1
104	PM2000B-2104	Bague		1
105	F010408L	Vis de pression à tête creuse CPP avec enduit frein pour filets	M8-1,25 x 10 L	2
106	TS-1491031	Vis à tête hexagonale	M10-1,5 x 25 L	8
107	PM2000B-2107	Ensemble de commutateur magnétique	3HP 230V 60Hz 1PH	1
	PM2000B-2107OR	Relais à maximum	NTH14	1
	PM2000B-2107A	Ensemble de commutateur magnétique	5HP 230V 60Hz 1PH	1
	PM2000B-2107AOR	Relais à maximum	NTH21	1
	PM2000B-2107B	Ensemble de commutateur magnétique	5HP 230/460V 60Hz 3PH	1
	PM2000B-2107BOR	Relais à maximum (230 V)	NTH15	1
	PM2000B-2107BORA	Relais à maximum (460 V)	NTH8	1
108	PM2000B-2108	Clé de sécurité		1
109	PM2000B-2109	Plaque d'interrupteur		1
110	PM2000B-2110	Serre-câble (3HP, 1PH)	SR-7R3	2
	PM2000B-2110A	Serre-câble (5HP, 1PH et 5HP, 3PH)	SR-8R3	2
111	PM2000B-2111	Serre-câble (3HP, 1PH et 5HP, 1PH)	MGB16-10B	1
	PM2000B-2111A	Serre-câble (5HP, 3PH)	MGB16-10B	2
112	PM2000B-2112	Câble de moteur	SJT 12AWG x 3C x 1900 mm	1
	PM2000B-2112A	Câble de moteur	SJT 10AWG x 3C x 1900 mm	1
	PM2000B-2112B	Câble de moteur	SJT 12AWG x 4C x 1900 mm	1
113	PM2000B-2113	Câble d'alimentation	SJT 12AWG x 3C x 2000 mm	1
	PM2000B-2113A	Câble d'alimentation	SJT 10AWG x 3C x 2000 mm	1
	PM2000B-2113B	Câble d'alimentation	ST 12AWG x 4C x 2000 mm	1
114	PM2000B-2114	Câble DRO	SJT 18 AWG x 2C x 1400 mm	1
115	PM2000B-2115	Câble de transformateur	SJT 18AWG x 3C x 2100 mm	1
116	PM2000B-2116	Vis taraudeuse à tête cylindrique Phillips	M5-2,12 x 25	2
117	PM2000B-2117	Clé d'Arbre (non illustrée)		1

14.3.1 PM2000B Ensembles du protecteur de lame et de la jauge à onglets – Vue éclatée

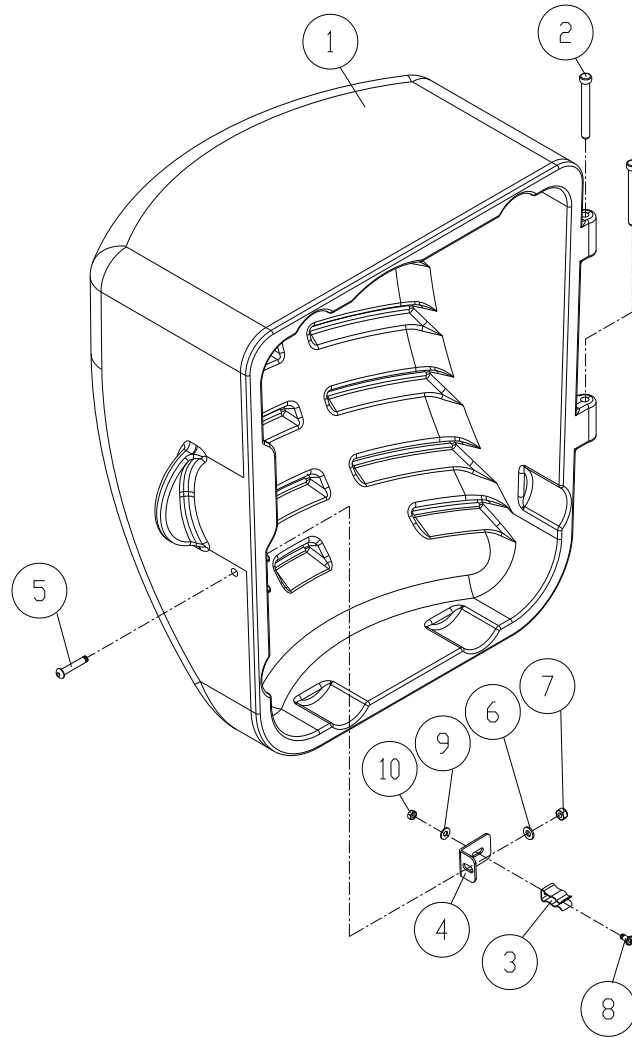


14.3.2 PM2000B Ensembles du protecteur de lame et de la jauge à onglets – Liste de pièces

No d'Index	No des pièce	Description	Dimension	Qté
	PM2000B-BGAB	Ensemble de protecteur de lame (inclut num 1-9, 13-17, 48-50, 55, 56) *		1
1	TS-1541021	Écrou hexagonal à frein élastique	M6-1,0	8
2	PM2000B-302B	Écran latéral de protecteur de lame		2
3	PM2000B-303	Rondelle plate fine	6,7 x 16 x 1,0T	4
4	PM2000B-304	Attelage		4
5	TS-1534051	Vis à métaux à tête plate Phillips	M6-1.0 x 16L	8
6	TS-1550041	Rondelle plate	6.7 x 16 x 2.0T	6
7	TS-2284081	Vis à métaux à tête plate Phillips	M4-0,7 x 8L	2
8	PM2000B-308	Écran supérieur		1
9	TS-1532032	Vis à tête cylindrique Phillips	M4-0,7 x 10L	2
10	F006090	Anneau de retenue de type E	ETW-7	2
11	TS-1541011	Écrou hexagonal à frein élastique	M5-0,8	4
12	PM2000B-312B	Ressort de pression		1
13	6286494	Vis à tête cylindrique Phillips	M5-0.8 x 6L	5
14	1014960	Goupille cylindrique	5 x 40mm	1
15	PM2000B-315B	Corps de protecteur de lame		1
16	PM2000B-316B	Écran avant		1
17	3P12314	Goupille cylindrique	5 x 32mm	1
	PM2000B-APAB	Ensemble de linguets antirecul (inclut num 10-12,18-20, 23-24, 51-54)		1
18	TS-1550031	Rondelle plate	5.3 x 12 x 1.0T	2
19	PM2000B-319B	Linguet antirecul gauche		1
20	PM2000B-320	Vis à tête cylindrique Phillips	M5-0,8 x 30L	1
23	PM2000B-323B	Linguet antirecul droit		1
24	PM2000B-324B	Goupille de sécurité de linguet antirecul		1
25	PM2000B-325B	Couteau séparateur	2,3mm d'épaisseur	1
	PM2000B-MGA	Ensemble de jauge à onglets (inclut num 26 à 47)		1
26	PM2000B-326	Bouton		1
27	TS-1550061	Rondelle plate	8.5 x 23 x 2.0T	1
28	PM2000B-328	Guide		1
29	TS-0050051	Vis à tête hexagonale	1/4 po-20UNC x 1 po	2
30	PM2000B-330	Corps de jauge à onglets		1
31	PM2000B-331	Poignée universelle		2
32	PM2000B-332	Tige		1
33	F010450	Vis de pression à tête creuse CPP	M8-1,25 x 5L	2
34	PM2000B-334	Barre à onglets		1
35	PM2000B-335	Rondelle guide		1
36	F001220	Vis à métaux à tête plate Phillips	M6-1,0 x 8L	1
37	TS-0810012	Vis à métaux à tête ronde	#10-24 x 1/4 po L	1
38	TS-1550031	Rondelle plate	5,2 x 10 x 1,0T	1
39	PM2000B-339	Pointeur		1
40	PM2000B-340	Pignon		1
41	PM2000B-341	Ressort de pression		1
42	PM2000B-342	Moyeu d'arbre-pignon		1
43	PM2000B-343	Arbre		1
44	TS-1521011	Vis de pression à tête creuse	M4-0,7P x 4 L	1
45	PM2000B-345	Bouton		1
46	TS-1502011	Vis à chapeau à tête creuse	M5-0,8 P x 8 L	2
47	PM2000B-347	Échelle		1
48	PM2000B-348	Détenteur de goupille de sécurité gauche		2
49	PM2000B-349	Détenteur de goupille de sécurité droit		2
50	PM2000B-350	Bouton de verrouillage		1
51	PM2000B-351	Détenteur de linguet		1
52	PM2000B-352	Ressort de torsion droit		1
53	PM2000B-353	Ressort de torsion gauche		1
54	PM2000B-354	Goupille solide		1
55	LM000309B	Étiquette Avertissement - Protecteur de lame		1
56	PM2000B-356B	Goupille de sécurité de couteau séparateur		1

* Pour les modèles avec numéro de série. 1911PM2000B1308 et supérieur

14.4.1 PM2000B Ensemble du capot du moteur – Vue éclatée

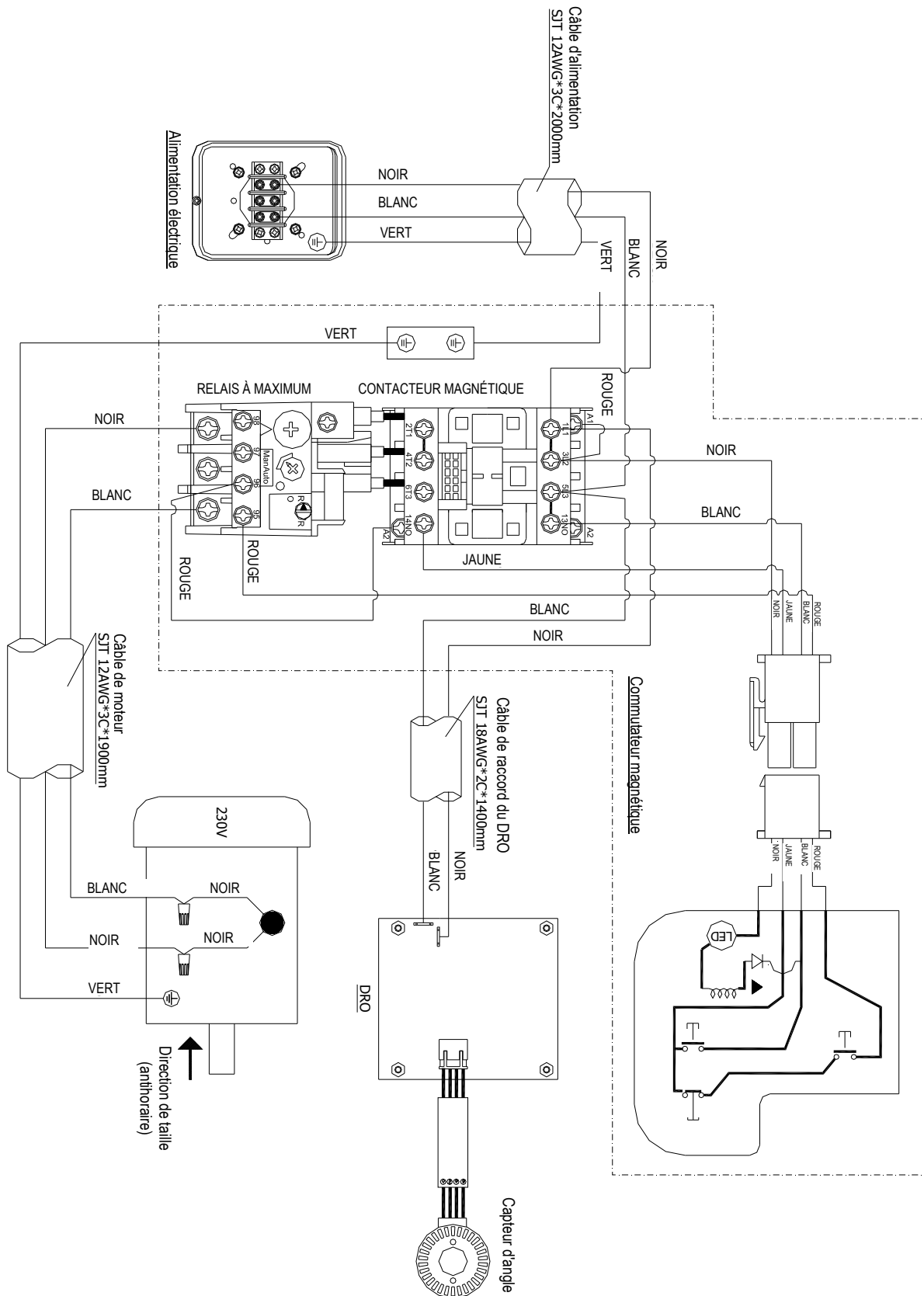


14.4.2 PM2000B Ensemble du capot du moteur – Liste de pièces

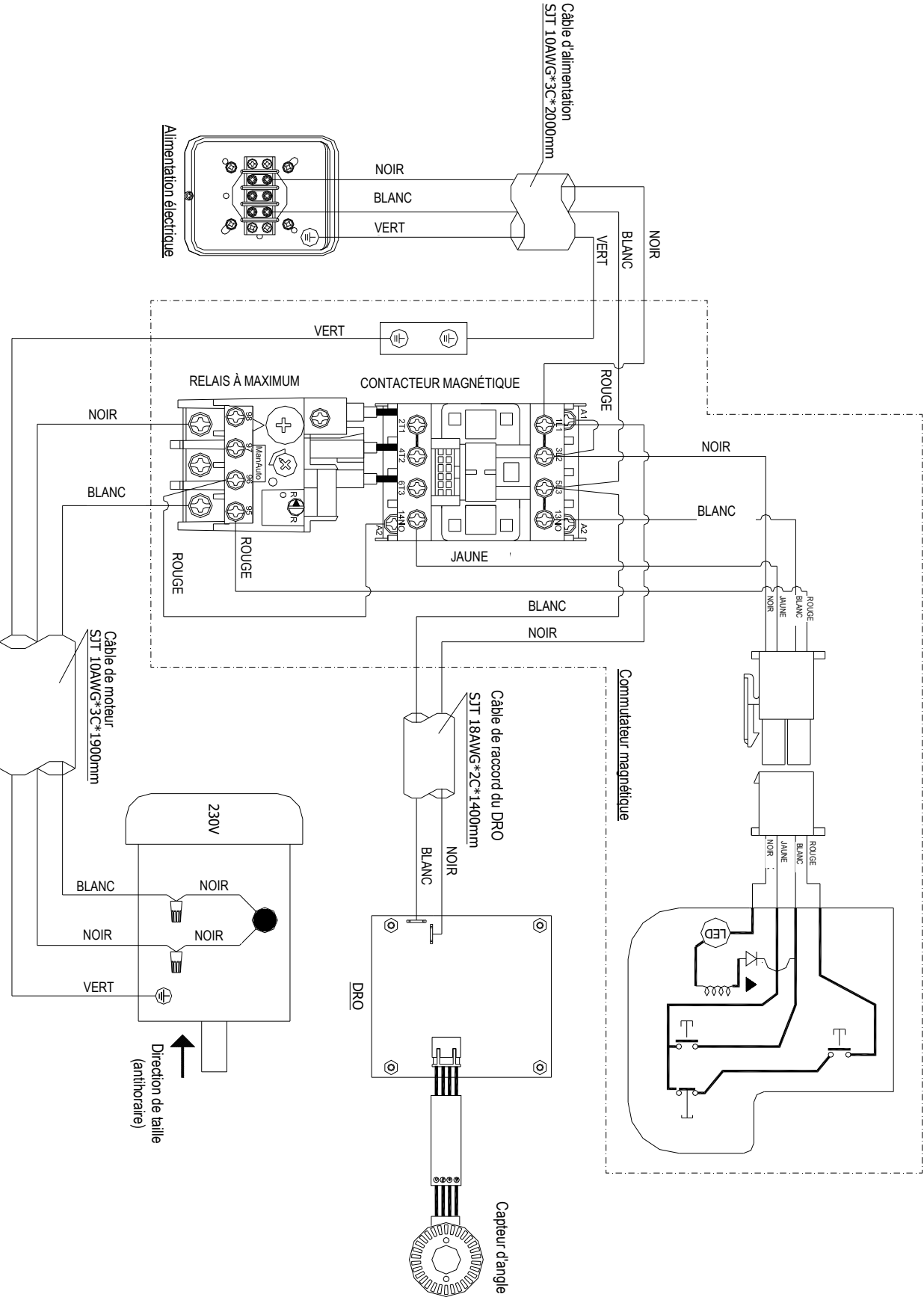
No d'Index	No des pièce	Description	Dimension	Qté
.....	6827044B.....	Ensemble du capot du moteur (includ num 1 à 10).....	1
1	PM2000B-401	Capot du moteur	1
2	PM2000B-402	Axe d'articulation	2
3	PM2000B-403	Pince à ressort.....	1
4	PM2000B-404	Noix de serrage	1
5	TS-2246302	Vis bouton à pans creux	M6-1,0 x 30 L	1
6	TS-1550041	Rondelle plate.....	6,2 x 13 x 1,5 T mm	1
7	TS-1541021	Écrou hexagonal à frein élastique	M6-1,0.....	1
8	TS-1533032	Vis mécanique cruciforme à tête cylindrique	M5-0,8 x 10 L	1
9	TS-1550031	Rondelle plate.....	5,3 x 12 x 1,0 T mm	1
10	TS-1540031	Écrou hexagonal.....	M5-0,8.....	1

15.0 Connexions électriques

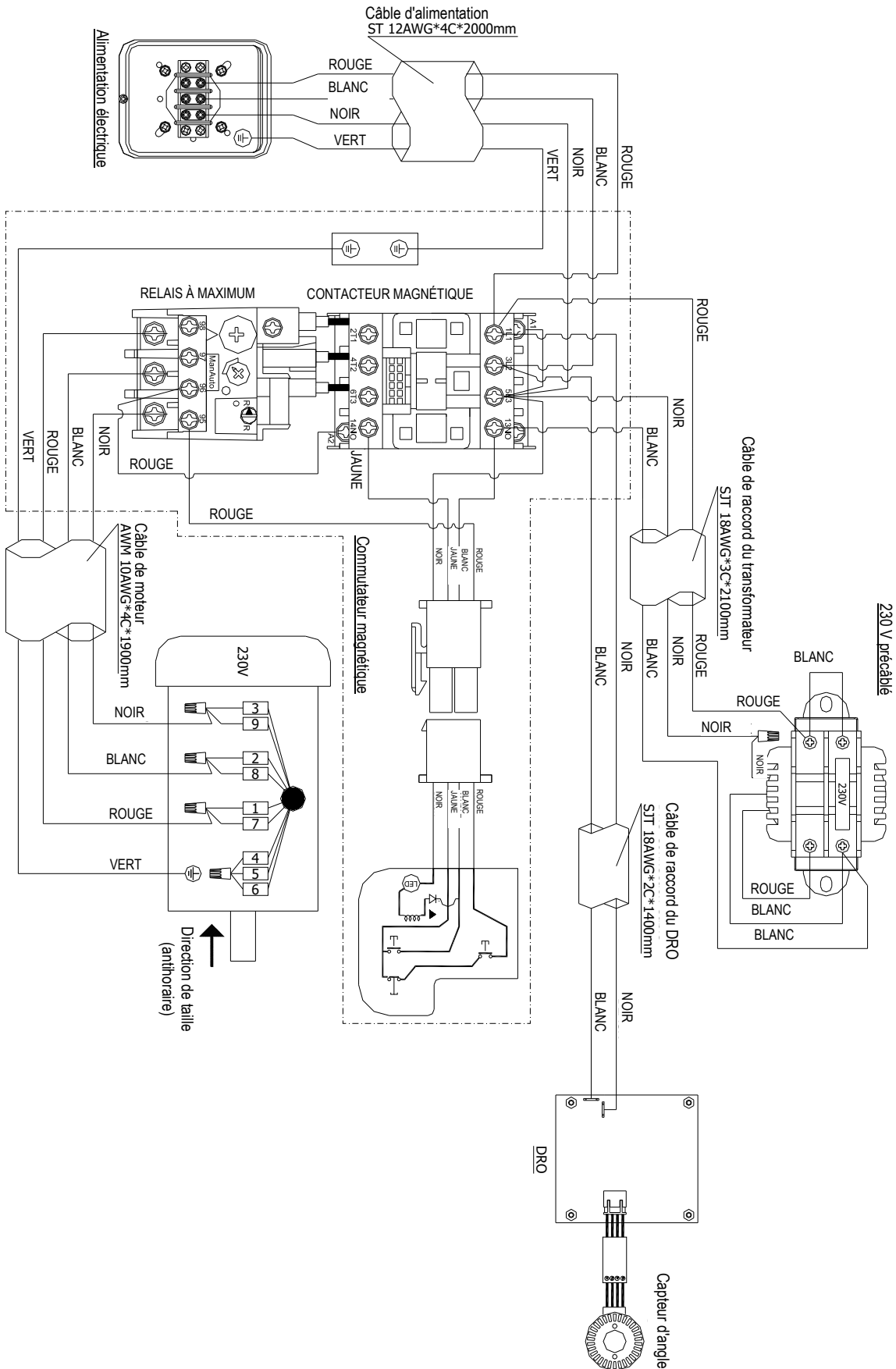
15.1 PM2000B Schéma de câblage – 3HP, 230V, 1PH



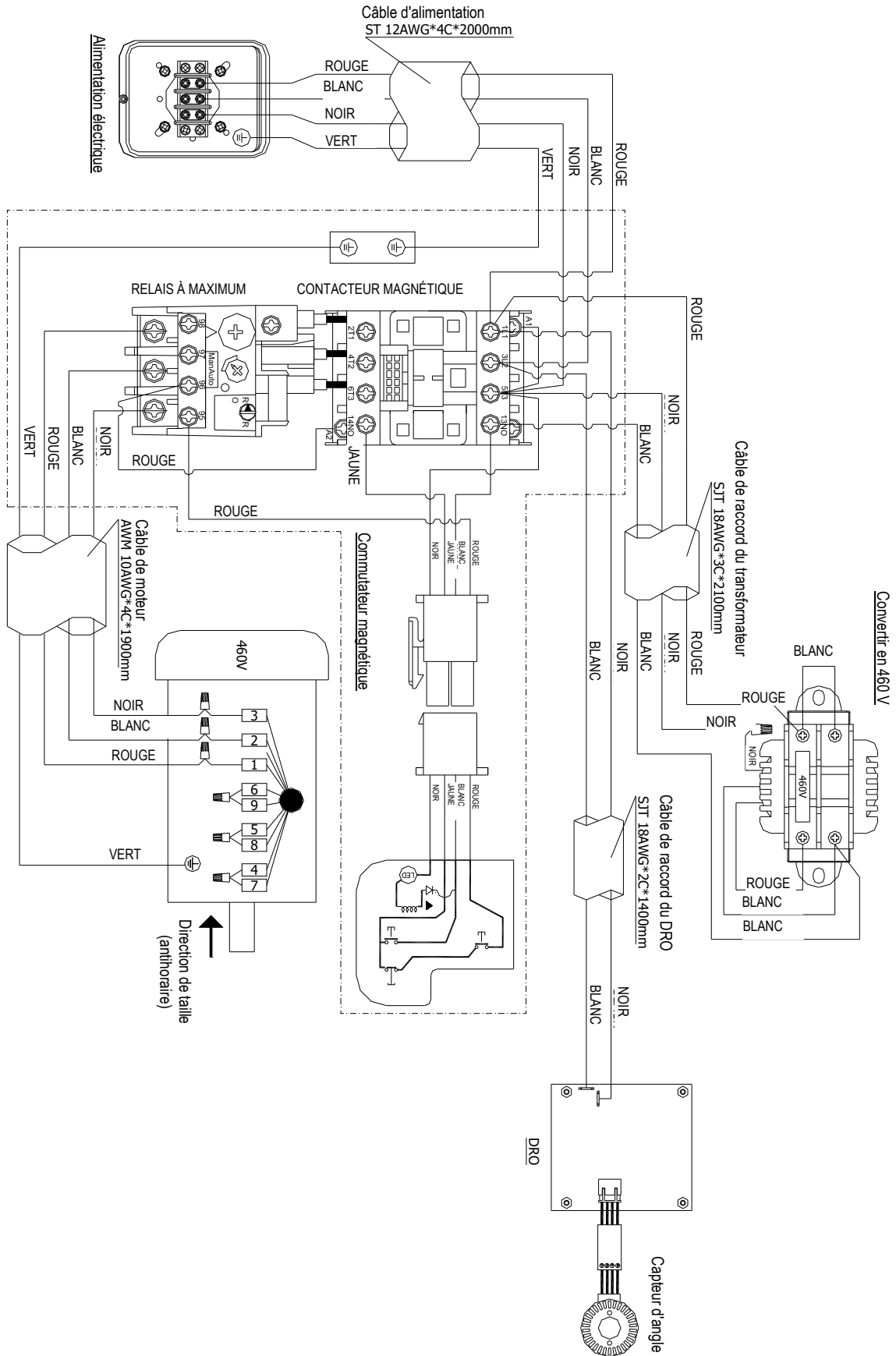
15.2 PM2000B Schéma de câblage – 5HP, 230V, 1PH



15.3 PM2000B Schéma de câblage – 5HP, 230V, 3PH



15.4 PM2000B Schéma de câblage – 5HP, 460V, 3PH



16.0 Garantie et entretien

Powermatic^{MD} garantit chaque produit qu'elle vend contre les défauts du fabricant. Si l'un de nos outils a besoin d'un entretien ou d'une réparation, veuillez contacter le service technique en composant le 1-800-274-6846, de 8 h à 17 h HNC, du lundi au vendredi.

Période de garantie

La garantie générale reste en vigueur pour la période spécifiée dans les documents fournis avec votre produit ou sur le site Web marqué officiel de Powermatic.

- Les produits Powermatic ont une garantie limitée qui a une durée variable selon le produit. (Voir le tableau ci-dessous)
- Les accessoires ont une garantie limitée d'un an à compter de la date du reçu.
- Les articles de consommations sont définis comme étant des pièces ou des accessoires d'usure qui devraient devenir inutilisables dans un délai d'usure raisonnable et qui sont couverts par une garantie limitée de 90 jours contre les défauts du fabricant.

Qui est couvert

Cette garantie couvre uniquement l'acheteur initial du produit à compter de la date de livraison.

Ce qui est couvert

Cette garantie couvre tout défaut de fabrication ou de matériaux soumis aux limitations indiquées ci-dessous. Cette garantie ne couvre pas les défaillances causées directement ou indirectement par une mauvaise utilisation, un abus, une négligence ou des accidents, une usure normale, une réparation inadéquate, des modifications ou un manque d'entretien. La machinerie de menuiserie de Powermatic est conçue pour être utilisée avec du bois. L'utilisation de ces machines dans la transformation du métal, de plastiques ou d'autres matériaux hors des lignes directrices pourrait annuler la garantie. Les exceptions sont les acryliques et les autres articles naturels spécialement conçus pour le tournage du bois.

Limitations de la garantie

Les produits de menuiserie avec une garantie de cinq ans qui sont utilisés à des fins commerciales ou industrielles verront leur garantie de cinq ans passer à deux ans par défaut. Veuillez communiquer avec le service technique au 1-800-274-6846 pour obtenir d'autres précisions.

Comment obtenir du soutien technique

Veuillez communiquer avec le service technique en composant le 1-800-274-6846. **Veuillez noter que vous devrez fournir la preuve de l'achat initial lorsque vous appellerez.** Si un produit nécessite une inspection plus poussée, le représentant du service technique vous expliquera et vous guidera pour toute autre action requise. Powermatic a des centres de service autorisés à travers les États-Unis. Pour le nom d'un centre de service autorisé de votre région, composez le 1-800-274-6846 ou utilisez le service de localisation de centres de service sur le site Web de Powermatic.

Plus d'informations

Powermatic ajoute constamment de nouveaux produits. Pour obtenir les informations complètes et mises à jour sur le produit, consultez votre distributeur local ou visitez le site Web de Powermatic.

Comment s'applique la loi de la Province

Cette garantie vous confère des droits légaux spécifiques, sous réserve de la loi de la province applicable.

Limitations de cette garantie

POWERMATIC LIMITE TOUTE GARANTIE IMPLICITE DURANT LA PÉRIODE DE LA GARANTIE LIMITÉE POUR CHAQUE PRODUIT. SAUF EXPRESSÉMENT STIPULÉ CI-APRÈS, TOUTE GARANTIE IMPLICITE DE VENTE OU D'ADAPTATION À DES FINS PARTICULIÈRES EST EXCLUE. CERTAINES PROVINCES N'AUTORISENT PAS LES LIMITATIONS DE DURÉE D'UNE GARANTIE, ALORS LA LIMITATION CI-DESSUS PEUT NE PAS S'APPLIQUER À VOUS.

POWERMATIC NE SERA EN AUCUN CAS TENUE RESPONSABLE DE DÉCÈS, DE BLESSURES OU DÉGÂTS MATÉRIELS OU DE DOMMAGES INDIRECTS, CONSÉCUTIFS, PARTICULIERS OU INDIRECTS ASSOCIÉS À L'USAGE DE NOS PRODUITS. CERTAINES PROVINCES N'AUTORISENT PAS L'EXCLUSION OU LA LIMITATION DES DOMMAGES ACCIDENTELS OU CONSÉCUTIFS, ALORS LA LIMITATION OU L'EXCLUSION PEUT NE PAS S'APPLIQUER À VOUS.

Powermatic vend uniquement par l'intermédiaire de distributeurs. Les spécifications énumérées dans le matériel imprimé de Powermatic et sur le site Web officiel de Powermatic sont à titre indicatif et ne sont pas contractuelles. Powermatic se réserve le droit d'apporter ces modifications aux pièces, aux raccords et aux accessoires à tout moment, sans préavis, si elle considère qu'elles sont nécessaires pour quelque raison que ce soit.

Liste de produits avec période de garantie

90 jours – Pièces; articles de consommation
1 an – Moteur, accessoires de la machine
2 ans – Machinerie de menuiserie utilisée à des fins industrielles ou commerciales.
5 ans – Machinerie de menuiserie

REMARQUE : Powermatic est une filiale de JPW Industries, Inc. Tout ce qui se rapporte à Powermatic dans le présent document s'applique aussi à JPW Industries, Inc. ou à tout successeur ayant un intérêt dans la marque Powermatic.

Cette page a été intentionnellement laissée vierge.



427 Rue New Sanford
LaVergne, Tennessee 37086
Téléphone : 800-274-6848
www.powermatic.com