



Operating Instructions and Parts Manual 10-inch XACTA[®] Saw Deluxe



JET

427 New Sanford Road
LaVergne, Tennessee 37086
Ph.: 800-274-6848
www.jettools.com

Part No. M-708674
Revision D3 01/2019
Copyright © 2017 JET

Warranty and Service

JET warrants every product it sells against manufacturers' defects. If one of our tools needs service or repair, please contact Technical Service by calling 1-800-274-6846, 8AM to 5PM CST, Monday through Friday.

Warranty Period

The general warranty lasts for the time period specified in the literature included with your product or on the official JET branded website.

- JET products carry a limited warranty which varies in duration based upon the product. (See chart below)
- Accessories carry a limited warranty of one year from the date of receipt.
- Consumable items are defined as expendable parts or accessories expected to become inoperable within a reasonable amount of use and are covered by a 90 day limited warranty against manufacturer's defects.

Who is Covered

This warranty covers only the initial purchaser of the product from the date of delivery.

What is Covered

This warranty covers any defects in workmanship or materials subject to the limitations stated below. This warranty does not cover failures due directly or indirectly to misuse, abuse, negligence or accidents, normal wear-and-tear, improper repair, alterations or lack of maintenance. JET woodworking machinery is designed to be used with Wood. Use of these machines in the processing of metal, plastics, or other materials outside recommended guidelines may void the warranty. The exceptions are acrylics and other natural items that are made specifically for wood turning.

Warranty Limitations

Woodworking products with a Five Year Warranty that are used for commercial or industrial purposes default to a Two Year Warranty. Please contact Technical Service at 1-800-274-6846 for further clarification.

How to Get Technical Support

Please contact Technical Service by calling 1-800-274-6846. **Please note that you will be asked to provide proof of initial purchase when calling.** If a product requires further inspection, the Technical Service representative will explain and assist with any additional action needed. JET has Authorized Service Centers located throughout the United States. For the name of an Authorized Service Center in your area call 1-800-274-6846 or use the Service Center Locator on the JET website.

More Information

JET is constantly adding new products. For complete, up-to-date product information, check with your local distributor or visit the JET website.

How State Law Applies

This warranty gives you specific legal rights, subject to applicable state law.

Limitations on This Warranty

JET LIMITS ALL IMPLIED WARRANTIES TO THE PERIOD OF THE LIMITED WARRANTY FOR EACH PRODUCT. EXCEPT AS STATED HEREIN, ANY IMPLIED WARRANTIES OF MERCHANTABILITY AND FITNESS FOR A PARTICULAR PURPOSE ARE EXCLUDED. SOME STATES DO NOT ALLOW LIMITATIONS ON HOW LONG AN IMPLIED WARRANTY LASTS, SO THE ABOVE LIMITATION MAY NOT APPLY TO YOU.

JET SHALL IN NO EVENT BE LIABLE FOR DEATH, INJURIES TO PERSONS OR PROPERTY, OR FOR INCIDENTAL, CONTINGENT, SPECIAL, OR CONSEQUENTIAL DAMAGES ARISING FROM THE USE OF OUR PRODUCTS. SOME STATES DO NOT ALLOW THE EXCLUSION OR LIMITATION OF INCIDENTAL OR CONSEQUENTIAL DAMAGES, SO THE ABOVE LIMITATION OR EXCLUSION MAY NOT APPLY TO YOU.

JET sells through distributors only. The specifications listed in JET printed materials and on official JET website are given as general information and are not binding. JET reserves the right to effect at any time, without prior notice, those alterations to parts, fittings, and accessory equipment which they may deem necessary for any reason whatsoever. JET® branded products are not sold in Canada by JPW Industries, Inc.

Product Listing with Warranty Period

90 Days – Parts; Consumable items
1 Year – Motors; Machine Accessories
2 Year – Metalworking Machinery; Electric Hoists, Electric Hoist Accessories; Woodworking Machinery used for industrial or commercial purposes
5 Year – Woodworking Machinery
Limited Lifetime – JET Parallel clamps; VOLT Series Electric Hoists; Manual Hoists; Manual Hoist Accessories; Shop Tools; Warehouse & Dock products; Hand Tools; Air Tools

NOTE: JET is a division of JPW Industries, Inc. References in this document to JET also apply to JPW Industries, Inc., or any of its successors in interest to the JET brand.

Table of Contents

Warranty and Service.....	2
Table of Contents	3
Warnings	4
Introduction	6
Specifications	6
Shipping Contents.....	7
Unpacking.....	7
Cleaning	7
Contents of the Shipping Container	8
Assembly.....	9
Motor Cover.....	9
Handwheel Assembly	9
Miter Gauge and Fence Storage Hooks.....	9
Extension Wing.....	10
Blade Installation/Replacement.....	10
Riving Knife and Guard Installation.....	11
Mounting Rails & Extension Table	12
Switch Installation.....	12
Electrical Connections.....	12
Adjustments	13
Handwheel Adjustments.....	13
Insert Adjustment.....	13
Miter Gauge.....	13
Riving Knife Adjustment	14
Blade Alignment	15
Adjusting 45° and 90° Positive Stops	15
Changing the Belt.....	16
Maintenance.....	17
Cleaning	17
Lubrication	17
Miscellaneous.....	17
Troubleshooting	18
Optional Accessories	19
Parts.....	19
Ordering Replacement Parts.....	19
Table & Cabinet Parts List.....	20
Table & Cabinet Exploded View	22
Trunnion & Motor Parts List.....	23
Trunnion & Motor Assembly Drawing.....	25
Blade Guard Parts and Assembly	26
Wiring Diagrams for XACTA Deluxe Table Saws	27


The specifications in this manual are given as general information and are not binding. JET reserves the right to effect, at any time and without prior notice, changes or alterations to parts, fittings, and accessory equipment deemed necessary for any reason whatsoever.




Warnings

1. Read and understand the entire owner's manual before attempting assembly or operation.
2. Read and understand the warnings posted on the machine and in this manual. Failure to comply with all of these warnings may cause serious injury.
3. Replace the warning labels if they become obscured or removed.
4. This table saw is designed and intended for use by properly trained and experienced personnel only. If you are not familiar with the proper and safe operation of a table saw, do not use until proper training and knowledge have been obtained.
5. Do not use this table saw for other than its intended use. If used for other purposes, JET disclaims any real or implied warranty and holds itself harmless from any injury that may result from that use.
6. Always wear approved safety glasses/face shields while using this table saw. Everyday eyeglasses only have impact resistant lenses; they are not safety glasses.
7. Before operating this table saw, remove tie, rings, watches and other jewelry, and roll sleeves up past the elbows. Remove all loose clothing and confine long hair. Non-slip footwear or anti-skid floor strips are recommended. Do **not** wear gloves.
8. Wear ear protectors (plugs or muffs) during extended periods of operation.
9. Do not operate this machine while tired or under the influence of drugs, alcohol or any medication.
10. Make certain the machine is properly grounded.
11. Make all machine adjustments or maintenance with the machine unplugged from the power source. A machine under repair should be RED TAGGED to show it must not be used until maintenance is complete.
12. Remove adjusting keys and wrenches. Form a habit of checking to see that keys and adjusting wrenches are removed from the machine before turning it on.
13. Keep safety guards in place at all times when the machine is in use. If removed for maintenance purposes, use extreme caution and replace the guards immediately after maintenance is complete.
14. Check the alignment of the riving knife, fence and miter slot to the blade. A caution decal is installed on each guard to remind the operator of the dangers of improper machine operation.
15. Check damaged parts. Before further use of the machine, a guard or other part that is damaged should be carefully checked to determine that it will operate properly and perform its intended function. Check for alignment of moving parts, binding of moving parts, breakage of parts, mounting and any other conditions that may affect its operation. A guard or other part that is damaged should be properly repaired or replaced.
16. Provide for adequate space surrounding work area and non-glare, overhead lighting.
17. Keep the floor around the machine clean and free of scrap material, oil and grease.
18. Keep visitors a safe distance from the work area. Keep children away.
19. Make your workshop child proof with padlocks, master switches or by removing safety keys.
20. Give your work undivided attention. Looking around, carrying on a conversation and "horse-play" are careless acts that can result in serious injury.
21. Maintain a balanced stance at all times so that you do not fall or lean against the blade or other moving parts. Do not overreach or use excessive force to perform any machine operation.
22. Use the right tool at the correct speed and feed rate. Do not force a tool or attachment to do a job for which it was not designed. The right tool will do the job better and safer.
23. Use recommended accessories; improper accessories may be hazardous.
24. Maintain tools with care. Keep blade sharp and clean for the best and safest performance. Follow instructions for lubricating and changing accessories.


25. Check the saw blade for cracks or missing teeth. Do not use a cracked or dull blade or one with missing teeth or improper set. Make sure the blade is securely locked on the arbor.
26. Keep hands clear of the blade area. Do not reach past the blade to clear parts or scrap with the saw blade running. Never saw freehand. Avoid awkward operations and hand positions where a sudden slip could cause your hand to contact the blade.
27. Do not attempt to saw boards with loose knots or with nails or other foreign material, on its surface. Do not attempt to saw twisted, warped, bowed or “in wind” stock unless one edge has been jointed for guiding purposes prior to sawing.
28. Do not attempt to saw long or wide boards unsupported where spring or weight could cause the board to shift position.
29. Always use the riving knife, blade guard, push stick and other safety devices for all operations where they can be used. On operations such as dadoing or molding where the blade guard cannot be used, use feather boards, fixtures and other safety devices and use extreme caution. Reinstall the riving knife and blade guard immediately after completing the operation that required their removal.
30. Be sure the saw blade rotates clockwise when viewed from the motor side (left side) of the machine.
31. Turn off the machine before cleaning. Use a brush or compressed air to remove chips or debris — do not use your hands.
32. Do not stand on the machine. Serious injury could occur if the machine tips over.
33. Never leave the machine running unattended. Turn the power off and do not leave the machine until it comes to a complete stop.
34. Remove loose items and unnecessary work pieces from the area before starting the machine.


 **WARNING:** This product can expose you to chemicals including lead which is known to the State of California to cause cancer and birth defects or other reproductive harm. For more information go to <http://www.p65warnings.ca.gov>.

 **WARNING:** Drilling, sawing, sanding or machining wood products generates wood dust and other substances known to the State of California to cause cancer. Avoid inhaling dust generated from wood products or use a dust mask or other safeguards for personal protection.

Wood products emit chemicals known to the State of California to cause birth defects or other reproductive harm. For more information go to <http://www.p65warnings.ca.gov/wood>.

Familiarize yourself with the following safety notices used in this manual:

 **CAUTION** This means that if precautions are not heeded, it may result in minor injury and/or possible machine damage.

 **WARNING** This means that if precautions are not heeded, it may result in serious injury or possibly even death.

Introduction

The JET XACTA® Saw Deluxe table saw you have purchased is a high quality machine tool that will give you years of superior service. You will get maximum performance and enjoyment from your new table saw if you will take a few moments now to review the entire manual before beginning assembly and operation.

This table saw, as well as all JET products, are backed by a nationwide network of authorized distributors and/or service centers. Please contact your nearest distributor should you require parts or service. Parts are also available directly from JET by calling 1-800-274-6848.

Now that you have purchased a table saw, it is a good time to consider a dust collection system. See your local JET distributor for the complete line of dust collectors and the full line of JET Dust Collector Hoses and Accessories. Customize your installation and obtain maximum performance with JET's dust hoods, hoses, clamps, fittings, and blast gates.

Assembling and fine tuning a table saw, fence and rail system, extension tables, etc. can be a time consuming project. It is best not to rush. The table saw does not come with a plug. Purchase a plug that matches the 230V or 460V outlet that will be used. The table saw does not come with a blade so you may want to purchase a variety of blades for different applications.

Specifications

Stock Numbers.....	708674 (3 HP, 1 Ph)
.....	708676 (5 HP, 1 Ph)
.....	708680 (5 HP, 3 Ph)
Blade Diameter	10"
Arbor Diameter	5/8"
Maximum Depth of Cut	3"
Maximum Thickness at 45° Cut	2-1/8"
Table in Front of Saw Blade at Maximum Cut	10"
Maximum Width of Dado	13/16"
Maximum Diameter of Dado	8"
Dust Port Diameter.....	4"
Dust Collection Minimum CFM required	350
Table Height.....	34"
Table Size (with extension).....	29"D x 42"W
Table Size (without extension).....	29"D x 20"W
Arbor Speed	4300 RPM
Sound Rating:	
(without blade).....	70 dB at 3 ft.
(with 10"x50T blade)	85 dB at 3 ft.
Motor	
SN 708674	3HP, 1Ph, 230V only
SN 708676	5 HP, 1Ph, 230V only
SN 708680	5HP, 3Ph, 230/460V, prewired 230V (see Note below)
Weight	
Net.....	330 lbs.
Gross.....	407 lbs.

Note: For 460V operation, magnetic switch (Part No. JTAS10-23B) must be purchased separately and installed. A qualified electrician is recommended.

The above specifications were current at the time this manual was published, but because of our policy of continuous improvement, JET reserves the right to change specifications at any time and without prior notice, without incurring obligations.

⚠WARNING Read and understand the entire contents of this manual before attempting assembly or operation! Failure to comply may cause serious injury.

Shipping Contents

Unpacking

Remove box and wood crating completely from around saw. Check for shipping damage. Report any damage immediately to your distributor and shipping agent. Do not discard any shipping material until the Table Saw is assembled and running properly.

Compare the contents of your container with the parts lists in the following pages to make sure all parts are intact. Missing parts, if any, should be reported to your distributor. Read the instruction manual thoroughly for assembly, maintenance and safety instructions.

1. Unbolt the saw from the skid.
2. Carefully slide the saw from the pallet onto the floor.

⚠WARNING Do not connect the table saw to the power source until all assembly has been completed! Failure to comply may cause serious injury!

The Table Saw should be placed in an area with a sturdy level floor, good ventilation and sufficient lighting. Leave enough space around the machine for mounting extension wings and rail assemblies, and loading and off-loading stock and general maintenance work.

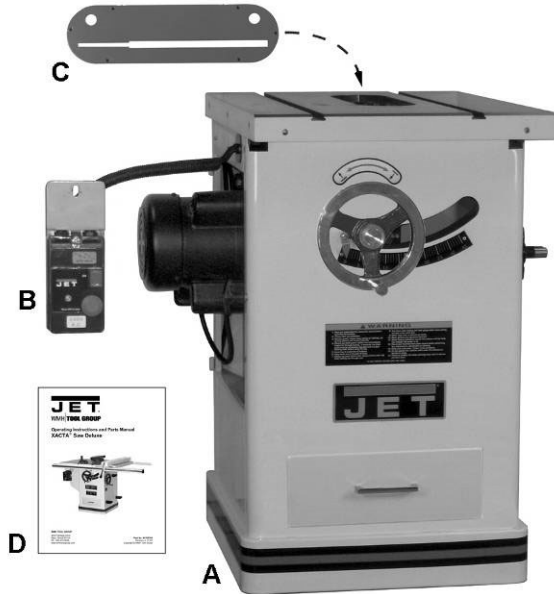
Cleaning

Exposed metal surfaces, such as the table top and extension wings, have been given a protective coating at the factory. This should be removed with a soft cloth moistened with kerosene. Do not use acetone, gasoline, or lacquer thinner for this purpose. Do not use solvents on plastic parts, and do not use an abrasive pad because it may scratch the surfaces.

Contents of the Shipping Container

Main Saw Container

- 1 Table Saw (A)
- 1 Switch (B)
- 1 Table Insert (C)
- 1 Owner's Manual (D)
- 1 Warranty Card (not shown)

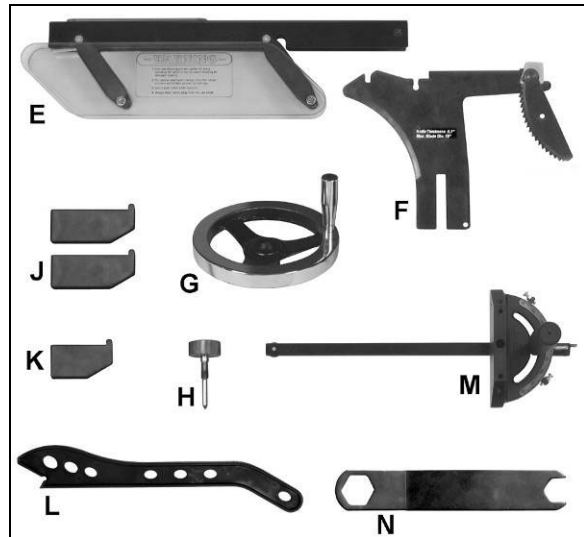


Main Saw Container

Small Box

The small box consists of the following items:

- 1 Blade Guard Assembly (E)
- 1 Riving Knife and Pawl Assembly (F)
- 1 Handwheel and Swivel Handle (G)
- 1 Lock Knob (H)
- 2 Large Hook (J)
- 1 Small Hook (K)
- 1 Push Stick (L)
- 1 Miter Gauge Assembly (M)
- 1 27mm Arbor Wrench (N)



Contents of the Small Box

Extension Tables

Two extension tables are packaged in individual boxes.



Extension Tables

Hardware

- 6 M6 x 16 Socket Head Cap Screw (O)
- 6 M6 Flat Washer (P)
- 6 M6 Lock Washer (Q)



Contents of Hardware Bag

Side Cover Box

- 1 Side Cover



Contents of Side Cover Box

Assembly

Motor Cover

Referring to Figures 1 and 2:

- **Tools:** 17mm Wrench, 12mm Wrench
1. Remove *shipping bracket* (A) securing the *motor* (C) to table.
 2. After the shipping bracket has been removed, install the *screw* (B) back into the motor support bracket. The upper screws will be used to later to hold the extension wing in place.
 3. Remove *shipping bracket* (D) holding *switch assembly* (E) to table. Do not discard the bracket (D); it will be used to install the switch.
 4. Remove the remaining *hex cap screw*, *lock washer*, and *flat washer* (F and Fig. 5) in the table edge.
 5. Install *motor cover* (G) by aligning the *pins* (H) on the cover with *brackets* on the cabinet.
 6. Fasten cover by pulling out the *latch* (J), closing the door, and releasing the latch.

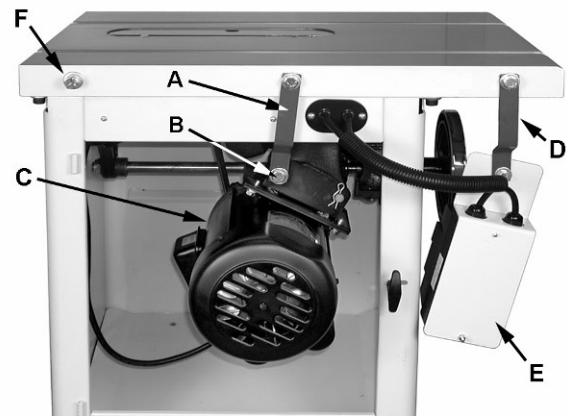


Figure 1



Figure 2

Handwheel Assembly

Referring to Figure 3:

Hardware: (2) Handle & Handwheel (C),
(2) Lock Knob (D), (2) Shaft Key (A)

Tools: 3mm hex wrench

The *front handwheel* (E) is installed at the factory. Install the *side handwheel* (C) as follows:

1. Line up the *key* (A) (taped to shaft) on the *shaft* (B) with the *key way* in the *handwheel* (C) and slide the handwheel onto the shaft.
2. Tighten the *set screw* on the handwheel hub (3mm hex wrench) securely to hold in place.
3. Install the center *lock knob* (D) by inserting into center hole in the shaft and threading in a clockwise direction.
4. Install the remaining *handwheel assembly* (E) in the same manner.

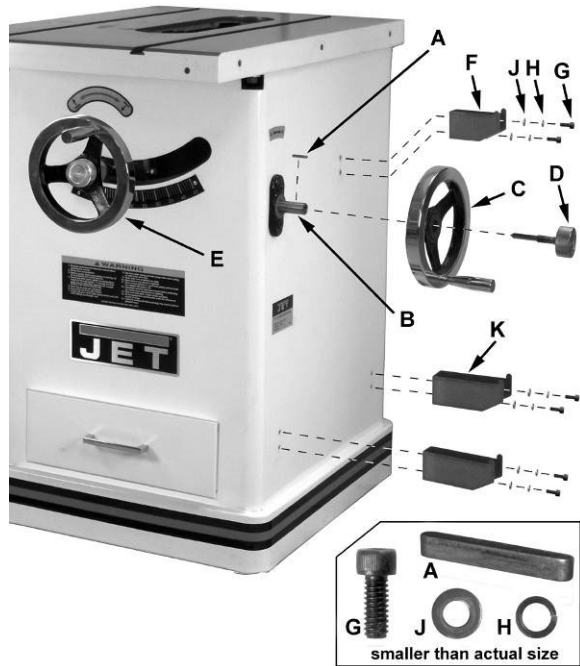


Figure 3

Miter Gauge and Fence Storage Hooks

Referring to Figure 3:

- **Hardware:** (1) Small Hook (F) , (2) Large Hook (K), (6) 1/4" Flat Washers (J), (6) 1/4" Lock Washers (H), (6) 1/4 x 5/8 Socket Head Cap Screws (G)
- **Tools:** 5mm hex wrench

Mount the *small hook* (F) and two *large hooks* (K) to the side of the saw cabinet with six each 1/4 x 5/8 *socket head cap screws* (G), 1/4" *lock washers* (H) and 1/4" *flat washers* (J). Tighten with hex wrench.

Extension Wing

Referring to Figures 4 and 5:

- **Hardware:** (6) 7/16"x1-1/2" Hex Cap Bolts, (6) 7/16" Lock Washers, (6) 7/16" Flat Washers & (2) Extension Wings
 - **Tools:** 17mm Wrench, Straight Edge
1. Attach the left *extension wing* (A) to the *table* (B) with three each *hex cap screws* (E), *lock washers* (F) and *flat washers* (G). Snug so the extension wing can still be manually adjusted but do not tighten.
 2. Adjust the extension wing horizontally so the front edge is flush with the front edge of the saw table (C). Then, using the straightedge as reference, adjust vertically so the tops of the extension wing and saw table are flush.
 3. Tighten the three extension wing mounting screws.
 4. Remove the mounting hardware (Fig. 5) from the table on the right side; then attach the right extension wing in the same manner.

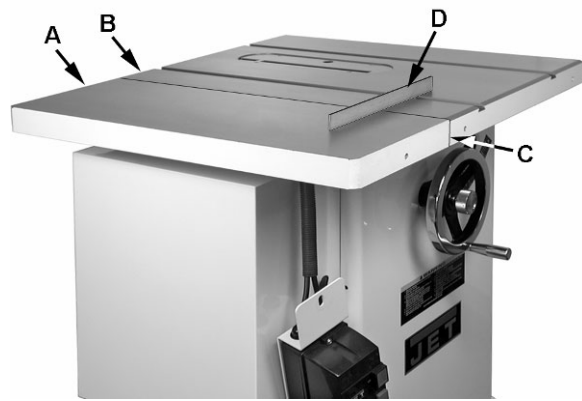


Figure 4

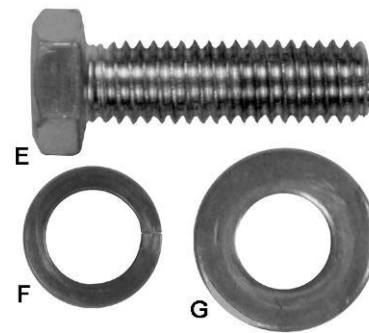


Figure 5

Blade Installation/Replacement

CAUTION Use care when working with or around sharp saw blade to prevent injury!

To install or replace a blade (refer to Figure 6):

- **Tools:** 27mm Wrench
1. Disconnect machine from power source.
 2. Raise the *blade height* all the way up and set the *blade tilt* to 0° (refer to *Handwheel Adjustments* on page 14).
 3. Remove the table insert.
 4. Rotate the arbor to line up the *slot* (C) with the *arbor lock* (D).
 5. Press the *arbor lock* (D) in the direction shown by the arrow to engage it into the *slot* (C) in the *arbor*. At the same time remove the *arbor nut* (A), loosening with a 27mm wrench if necessary.
 6. Remove the *collar* (B).
 7. Install the blade, making sure the cutting teeth at the top of the blade point toward the front of the saw. If unsure, refer to Figure 8 for the proper blade orientation.
 8. Replace the *collar* (B) and *arbor nut* (A).
 9. Engage the *arbor lock* (D) and tighten the *nut* (A) with a 27mm wrench.
 10. Lower the blade below the table.

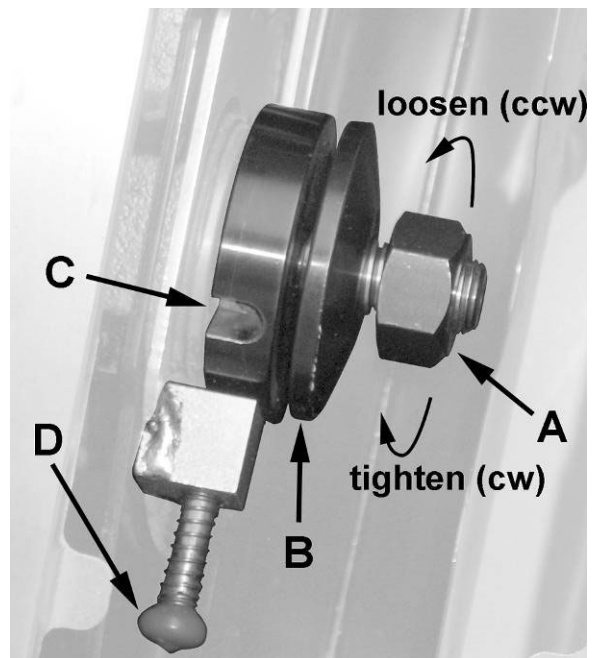


Figure 6

Riving Knife and Guard Installation

Description

Referring to Figure 7:

The complete *riving knife and guard assembly* is shown in A. Before installing onto the saw, the *anti-kickback pawl* (E) must be separated from the *riving knife* (H) as follows:

1. Press and hold the *quick-release button* (D) on the base of the *anti-kickback pawl* (E) and lift the pawl to remove from the *riving knife* (H).

Installation

Referring to Figure 8:

2. Set the saw blade to the 90 degree position and raise it all the way (refer to *Handwheel Adjustments* on page 13).
3. Remove the table insert (J).
4. Located inside the table and accessible through the insert opening (Figure 8 inset), place the quick-release clamp lock handle (K) in the unlock position.
5. The floating clamp block (L) is spring loaded and will move away (O) from the fixed block (M), leaving a gap.
6. Insert the bottom of the riving knife (N1, N2) all the way into the gap between the *clamp blocks* (L, M); then lock the *handle* (K).
7. Replace the *insert* (J) back on the table. The saw blade and riving knife should protrude through the slot in the insert.

Referring back to Figure 7:

8. Attach the anti-kickback pawl (E) by pressing and holding the quick-release button (D) and inserting the lock pin of the pawl into the appropriate slot (F) on the riving knife.
9. In similar manner attach the guard (C) by pressing and holding the quick-release button (B) and inserting the lock pin of the guard into the appropriate *slot* (G) on the riving knife.

You should feel a snap as each piece locks in position. Attempt to lift as a test to make sure that they are securely locked in place.

Adjustment

The clamping blocks (L, M, Fig. 8) are adjusted at the factory and no further adjustment of the blade guard and riving knife assembly should be necessary. However, **proper alignment is very important**. Before operating the table saw, read *Riving Knife Adjustment* (p.14) to verify and follow the adjustment procedure if necessary.

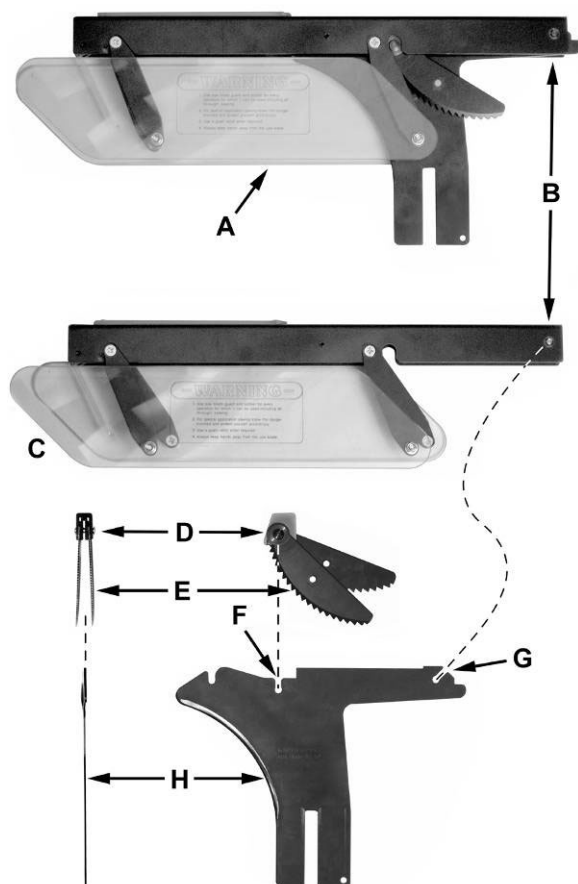


Figure 7

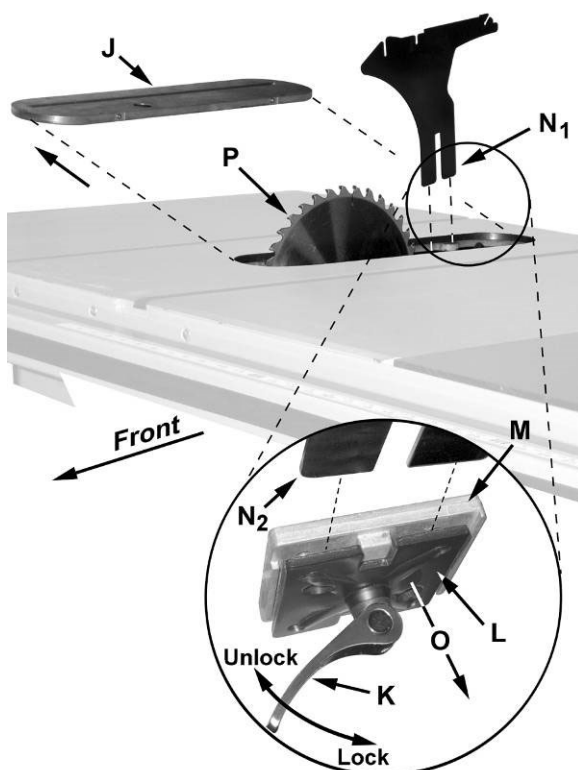


Figure 8

Mounting Rails & Extension Table

With the extension wings properly aligned, the rail and fence assembly can now be mounted to the saw. Refer to the *XACTA® Fence II Commercial 30/50 Owner's Manual* (Part No. M-708950Z) for mounting instructions for the rails, fence and optional wooden extension table.

Switch Installation

Referring to Figure 9:

- **Hardware:** Switch Brace
 - **Tools:** 8mm hex wrench, 8mm wrench
1. Remove the *hex nut* from the *flat head screw* that secures the left extension table to the *front rail* (B).
 2. Place switch assembly *bracket* (A) behind the *front rail* (B) and just inside the front edge of the *left extension wing*.
 3. Replace the hex nut, securing the front rail, extension table *and* switch assembly. Hand-tighten only at this time.
 4. Loosen the *hex cap screw* (C) and slide the open tab of the *switch brace* (E) onto the *screw* (C) and *washer* (D). Hand-tighten only at this time.
 5. Remove the nut and star washer (F) from the screw at the bottom of the switch plate on the back of the switch assembly.
 6. Fasten the switch brace to the switch bracket assembly with the star washer and nut.
 7. Align the switch and tighten all hardware.

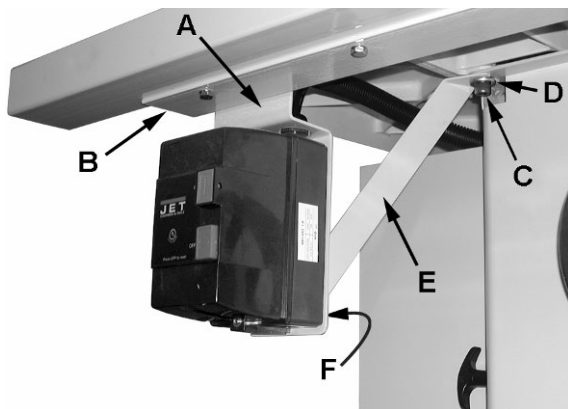


Figure 9

Electrical Connections

⚠WARNING A qualified electrician must complete all electrical connections! Failure to comply may result in serious injury!

⚠WARNING The machine must be properly grounded while in use to protect the operator from electric shock! Failure to comply may result in serious injury!

If a plug is provided with your machine, *do not* modify the plug. If it will not fit your electrical receptacle, have a qualified electrician install the proper connections to meet all electrical codes.

XACTA® Saw Deluxe table saws with stock numbers 708674 and 708676 are rated at **230V only**. Saws with stock number 708680 are rated at 230/460V, and come from the factory **prewired 230V**.

To switch from 230V to 460V (machines with stock number 708680 only):

1. Disconnect the machine from the power source, (unplug).
2. Open the saw cabinet door.
3. Remove the cover from the motor junction box.
4. Change wires following the diagram on the inside of the cover.
5. Replace the cover and close the cabinet door.
6. Replace the magnetic on-off switch with part #JTAS10-23B (available through your authorized JET distributor or by calling JET at the number on the cover).

Confirm power at the site is the same as the saw before making any electrical connections. Review the electrical schematics on page 27-27.

The on and off switch is **thermally protected**. If the saw motor is overloaded, or a momentary interruption of electrical current is sensed, the saw will shut off. Allow a few minutes for the saw to cool down and **reset by pushing the off button**.

Using extension cords can cause a loss in power to your machine. It is best if the saw is plugged directly into an outlet on a dedicated circuit.

Adjustments

Handwheel Adjustments

Referring to Figure 10:

The *front handwheel* (B) controls the raising and lowering of the blade (blade height).

The *side handwheel* (D) controls the blade tilt. The blade can be adjusted for a tilt between 90° (vertical or a setting of 0° on the scale) and 45° left tilt (D).

Blade height

1. Loosen the *lock knob* (A) on the *front handwheel* (B).
2. Turn the *handwheel* (B) clockwise to raise and counterclockwise to lower the blade.
3. Tighten the *lock knob* (A).

Blade tilt adjustment

1. Loosen the *lock knob* (C) on the side handwheel (D).
2. Turn the *handwheel* (D) counterclockwise to adjust the saw blade down to 45° left tilt. Turn clockwise to adjust the saw blade to maximum of 90°.
3. After selecting the position, tighten the *lock knob* (C).



Figure 10

Insert Adjustment

Adjust the setscrews in the insert with a 2.5mm hex wrench (Figure 11) to ensure that the insert is stable and flush with the table top.

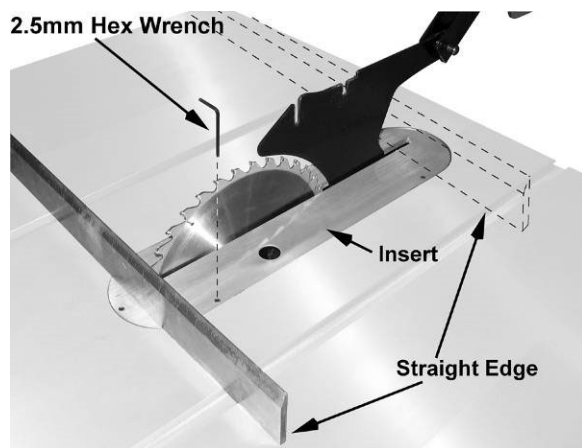


Figure 11

Miter Gauge

Referring to Figure 12:

1. Operate miter gauge by loosening the *lock knob* (A) and turning the *miter body* (B) to the desired angle. To move gauge beyond index stops of 45° and 90°, flip down the *stop* (C).
2. Adjust index stops by turning one of three adjustment screws (D).

Note: Always make test cuts. Do not rely solely on miter gauge indicator marks. There are holes in the miter gauge body that will allow you to mount a wooden extension fence.

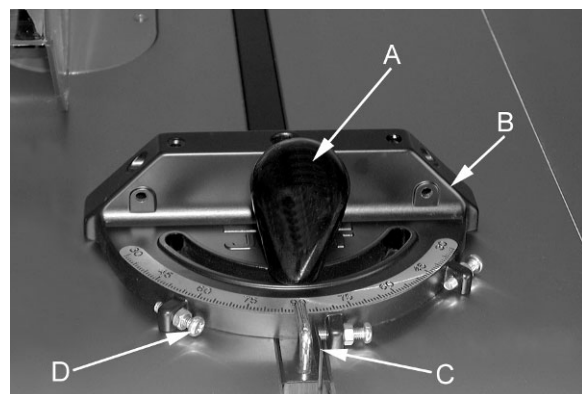


Figure 12

Riving Knife Adjustment

Lateral alignment

The saw blade and riving knife must be in line as close as possible with each other (*lateral alignment*) for the prevention of kickback. Upon initial blade guard and riving knife installation no further adjustment should be necessary. Alignment should be checked and adjusted, if required, after each blade change.

Check the alignment as follows:

1. Remove the *blade guard* and *pawl* (C, E, Fig. 7).
2. Place a *straightedge* (A, Fig. 13) on the table so it rests against the *blade* (B, Fig. 13) and *riving knife* (C, Fig. 13). Rotate the blade so the top of the blade tooth touches the straightedge.

The saw blade and riving knife must be in line.

If adjustment is required:

3. Remove the table insert.
4. Loosen the *lock handle* (A, Fig. 14) and remove the riving knife, making a note as to which direction the riving knife needs to be moved to align it with the saw blade.
5. Using a 3mm hex wrench, make adjustments to any of the four *set screws* (D, Fig. 15) accessible through openings located in the corners of the *floating clamp block* (E, Fig. 15).
6. If necessary, repeat the above procedure.

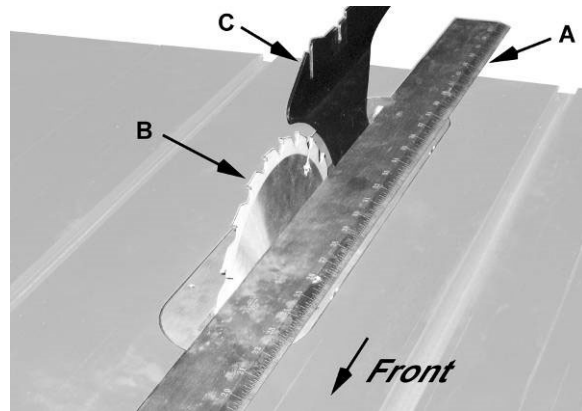


Figure 13

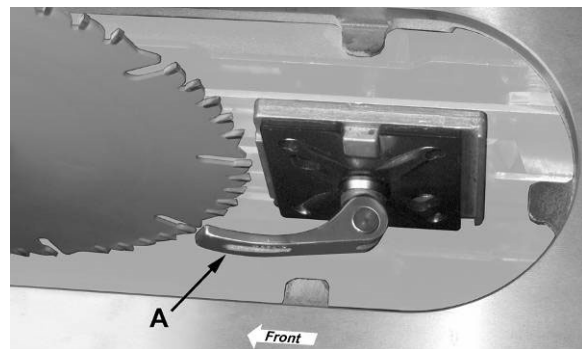


Figure 14

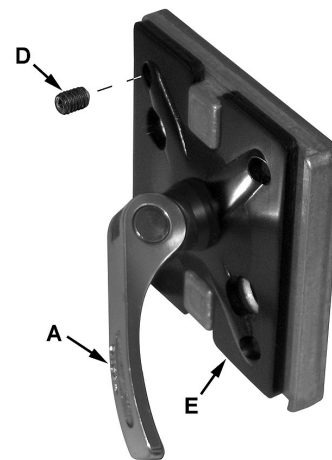


Figure 15

Blade Alignment

- **Tools:** 8mm hex wrench, combination square, marker

Blade alignment with the table is adjusted at the factory. After a period of use, or, after moving the saw to another location, the blade may no longer be aligned with the table.

To check and align the blade (refer to Figure 16):

1. Disconnect the saw from the power source.
2. Raise the blade guard up a way from the blade.
3. Choose a tooth on the far side of the blade (towards the rear) and position the tooth slightly above the table insert. Mark the tooth with a marker. Measure the distance from the side of the blade to the right T-slot edge using a combination square. Make sure to measure between the teeth not on the tooth (Figure 16).
4. Rotate the blade toward the front so that the marked tooth is just above the insert. Measure the distance from the side of the blade to the right T-slot edge. The two measurements should be the same.
5. If they are not the same, loosen four *hex socket cap screws* (A, Fig. 17) that hold the table to the base. Two are shown in Figure 17.
6. Make the needed adjustments and tighten the four hex socket cap screws firmly.
7. Check the alignment once again after tightening hardware.

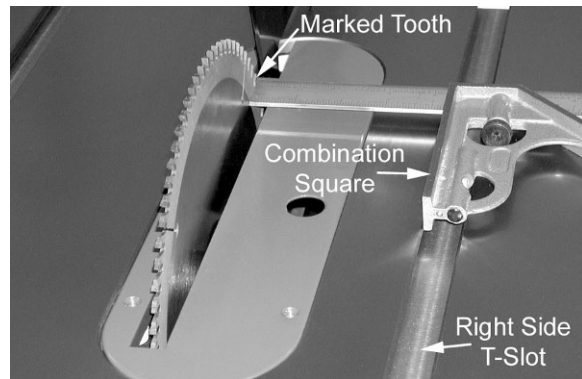


Figure 16



Figure 17

Adjusting 45° and 90° Positive Stops

The stops have been adjusted at the factory. After a period of use, or, after moving the saw to another location, the stops may no longer be set properly. To check and adjust the stops:

- **Tools:** 12mm wrench, combination square
1. Disconnect saw from power source.
 2. Raise the saw blade to its maximum height using the handwheel.
 3. Set the blade at 90 degrees to the table by turning the blade tilting handwheel clockwise as far as it will go.
 4. Place a combination square on the table against the blade and check to see that the blade is at a 90° angle to the table, Figure 18. Make sure square is not touching a blade tooth.

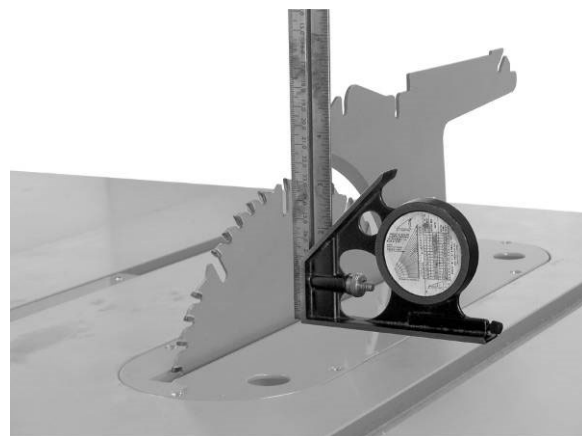


Figure 18

5. If blade is not at 90 degrees, open the motor cover door, loosen lock nut (A, Fig. 19) and turn adjusting stop screw (B, Fig. 19) on the front trunnion in, or out. The adjusting stop screw should stop against the front trunnion bracket when the blade is 90° to the table.
6. Tighten the lock nut (A, Fig. 19).
7. Set the blade at 45 degrees to the table by turning the blade tilting handwheel counter-clockwise as far as it will go. Place a combination square on the table against the blade. Make sure square is not touching a blade tooth.
8. If the blade is not 45 degrees, remove the raising and lowering handle. Loosen lock nut (A, Fig. 19) and turn adjusting stop screw (B, Fig. 19) on the front trunnion in, or out. The adjusting stop screw should stop against the front trunnion bracket when the blade is 45° to the table.
9. Check the accuracy of the pointer (C, Fig. 20) on the angle scale and adjust, if necessary.

Assembly and adjustment of the saw are now complete. Make sure all fasteners are tight. The saw may now be placed into operation.

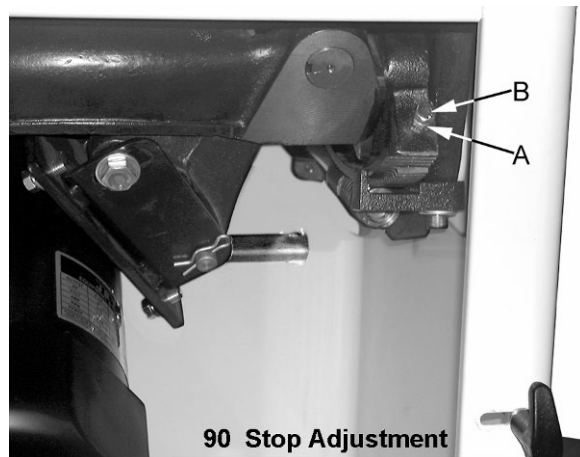


Figure 19

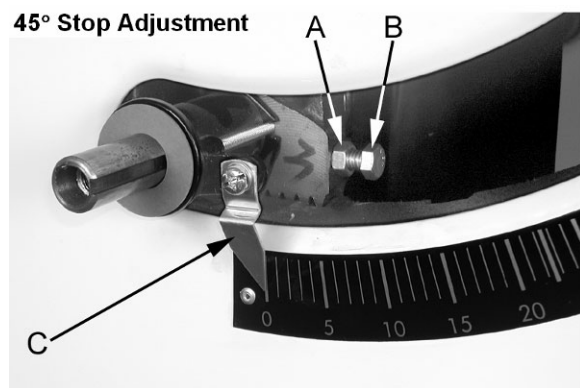


Figure 20

Changing the Belt

⚠WARNING Make all machine adjustments or maintenance with the machine unplugged from the power source. Failure to comply may cause serious injury!

Referring to Figure 21:

1. Disconnect the machine from the power source, unplug.
2. Lower the blade to its lowest point.
3. Loosen *two hex cap bolts* (A).
4. Take the tension off of the *belt* (B) by lifting up on the motor.
5. Remove the belt from the arbor and motor pulleys.
6. Replace and tension the belt. The weight of the motor should apply enough tension to the belt. Tighten the *hex cap bolts* (A).
7. Check the belt tension after the saw has been used for a few hours. Adjust as necessary.

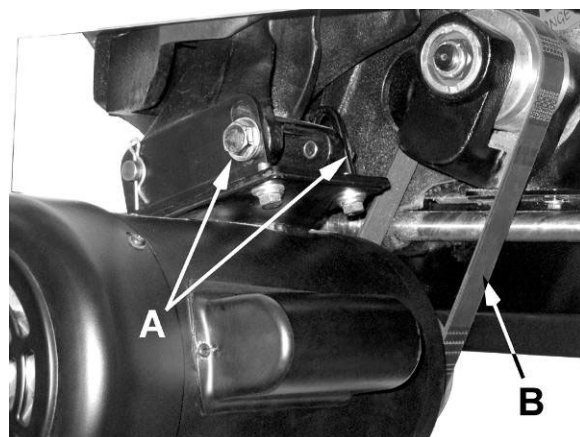


Figure 21

Maintenance

⚠WARNING Always disconnect power to the machine before performing maintenance. Failure to do this may result in serious personal injury.

Cleaning

Note: The following maintenance schedule assumes the saw is being used every day.

Daily:

- Wipe down the table surface and grooves with a rust preventive.
- Clean pitch and resin from the saw blade.

Weekly:

- Table surface must be kept clean and free of rust for best results. Apply a coat of paste wax to the surface to facilitate this. Alternatively, aerosol protectants are available from hardware and tool stores.
- Clean motor housing with compressed air.
- Wipe down the fence rails with a dry silicon lubricant.

Periodic:

- Keep the inside of the cabinet and trunnion area clean.
- Check for excessive play in the tilting and raising mechanism and in the saw arbor and re-adjust as required.
- Check for belt tension and wear. Readjust or replace belt as required.

Lubrication

- Grease the tilting worm gear, raising worm gear, castor system worm gear and the trunnion areas with a good grade of non-hardening grease.
- Check all adjustments after lubricating.

Miscellaneous

Routinely check condition of the following items:

- Mounting bolts
- Power switch
- Saw blade
- Blade guard assembly

Troubleshooting

Trouble	Possible Cause	Solution
Saw stops or will not start	Overload tripped Saw unplugged from wall or motor Fuse blown or circuit breaker tripped Cord damaged	Allow motor to cool and reset by pushing off switch Check all plug connections Replace fuse or reset circuit breaker Replace cord
Does not make accurate 45° or 90° cuts	Stops not adjusted correctly Angle pointer not set accurately Miter gauge out of adjustment	Check blade with square and adjust stops Check blade with square and adjust pointer Adjust miter gauge
Material binds blade when ripping	Fence not aligned with blade Warped wood Excessive feed rate Splitter not aligned with blade	Check and adjust fence Select another piece of wood Reduce feed rate Align splitter with blade
Saw makes unsatisfactory cuts	Dull blade Blade mounted backwards Gum or pitch on blade Incorrect blade for cut Gum or pitch on table	Sharpen or replace blade Turn blade around Remove blade and clean Change blade to correct type Clean table
Blade does not come up to speed	Extension cord too light or too long Low shop voltage Motor not wired for correct voltage	Replace with adequate size cord Contact your local electric company Refer to motor junction box
Saw vibrates excessively	Stand on uneven floor Damaged saw blade Bad V-belts Bent pulley Improper motor mounting Loose hardware	Reposition on flat, level surface Replace saw blade Replace V-belts Replace pulley Check and adjust motor Tighten hardware
Rip fence binds on guide rails	Guide rails or extension wing not installed correctly Guide of rip fence not adjusted properly	Re-assemble guide rails, refer to fence manual Adjust guides, refer to fence manual
Material kicked back from blade	Rip fence out of alignment Splitter not aligned with blade Feeding stock without rip fence Splitter not in place Dull blade Letting go of material before it is past blade Anti-kick back plates dull	Align rip fence with miter slot Align splitter with blade Install and use rip fence Install and use splitter (with guard) Replace blade Push material all the way past blade before releasing work Replace or sharpen anti-kick back plates
Blade does not raise or tilt freely	Sawdust and debris in raising and tilting mechanisms	Clean and re-grease

Optional Accessories

Stock No	Description
708097	Dado Insert
708118	Universal Mobile Base
708401	Downdraft Table for XACTA Deluxe
708682	Riving Knife Thin Kerf 0.079
708683	Riving Knife Low Profile
708684	Riving Knife Low Profile Thin Kerf

Parts

Ordering Replacement Parts

Replacement parts are listed on the following pages. To order parts or reach our service department, call call 1-800-274-6848 Monday through Friday, 8:00 a.m. to 5:00 p.m. CST. Having the Model Number and Serial Number of your machine available when you call will allow us to serve you quickly and accurately.

Non-proprietary parts, such as fasteners, can be found at local hardware stores, or may be ordered from JET. Some parts are shown for reference only, and may not be available individually.

Table & Cabinet Parts List

Index No.	Part No.	Description	Size	Qty
1	JTAS10-1	Lock Knob		1
2	JTAS10-2	Miter Gauge Body		1
3	TS-1540031	Hex Nut	M5	3
4	JTAS10-4	Pointer		1
5	JTAS10-5	Stop Link		1
6	TS-1521011	Socket Set Screw	M4x4	1
7	JTAS10-7	Special Pin	M3x6	1
8	TS-2205201	Hex Cap Screw	M5x20	3
9	JTAS10-9	Guide Bar		1
10	JTAS10-10	Guide Washer		1
11	JTAS10-11	Flat Head Screw	M6x8	1
	JTAS10-MG	Miter Gauge Assembly (#1-11)		1
12	TS-0267041	Socket Set Screw	1/4-20x3/8	6
13	JTAS10L-13N	Table Insert		1
13A	708097	Dado Insert (<i>Optional Accessory</i>)		1
14	JTAS10L-14WN	Table		1
15	JTAS10L-15WN	Extension Wing		2
18	TS-0061051	Hex Cap Screw	7/16-14x1-1/2	6
19	TS-0720101	Lock Washer	7/16	6
20	TS-0680051	Flat Washer	7/16	10
22	JTAS10-22W	Switch Plate		1
23	JTAS10-23	Magnetic Switch	3HP, 230V, 1 Ph	1
	JTAS10-23A	Magnetic Switch	5HP, 230V, 3 Ph	1
	JTAS10-23B	Magnetic Switch	5HP, 460V, 3 Ph	1
	JTAS12-23	Magnetic Switch *	5HP, 1 Ph, 230V	1
24	TS-081C052	Pan Head Screw	#10-24x3/4	1
26	JTAS10-26	Strain Relief Bushing	708674, PG-11	2
	JTAS10-26A	Strain Relief Bushing	708676, PG13.5	2
	JTAS10-26B	Strain Relief Bushing	708680, MG25A-16B	2
27	JTAS10-27	Strain Relief Bushing	708674, 6N3-4	2
	JTAS10-27A	Strain Relief Bushing	708676, 7N-2	2
	JTAS10-27B	Strain Relief Bushing	708680, 8R3	2
28	JTAS10-28	Tap Screw	M5x10	10
29	JTAS10-29	Cord Plate	708674, 14x16	1
	JTAS10-29A	Cord Plate	708676, 15x17	1
	JTAS10-29B	Cord Plate	708680, 17x21	1
30	JTAS10L-30N	Identification Plate		1
31	JTAS10DX-31	Power Cord (switch to motor,3HP 1PH 230V)	14AWGx3C,SJT,300V	1
	JTAS10DX-31A	Power Cord (switch to motor,5HP 1PH 230V)	12AWGx3C,SJT,300V	1
	JTAS10DX-31B	Power Cord (switch to motor,5HP 3PH 230/460V)	14AWGx4C,ST,600V	1
32	JTAS10DX-32	Power Cord (3HP 1PH 230V)	14AWGx3C,SJT,300V	1
	JTAS10DX-32A	Power Cord (5HP 1PH 230V)	12AWGx3C,SJT,300V	1
	JTAS10DX-32B	Power Cord (5HP 3PH 230/460V)	14AWGx4C,ST,600V	1
33	JTAS10-33	Power Cord Sleeve (708674)	Ø19	1
	JTAS10-33A	Power Cord Sleeve (708676,708680)	Ø22	1
34	JTAS10L-34	Tilt Scale		1
35	JTAS10-35	Warning Label		1
36	JTAS10-36	JET Label		1
38	JTAS10L-38WN	Cabinet		1
39	TS-1482101	Hex Cap Screw	M6x50	1
40	TS-0680021	Flat Washer	1/4	2
41	JTAS10-41	Spring		1
42	JTAS10-42	Foam Strip		1
43	JTAS10L-43WN	Motor Cover		1
44	TS-1540021	Nylon Insert Lock Nut	M6	1
45	JTAS10-45	Handle		1

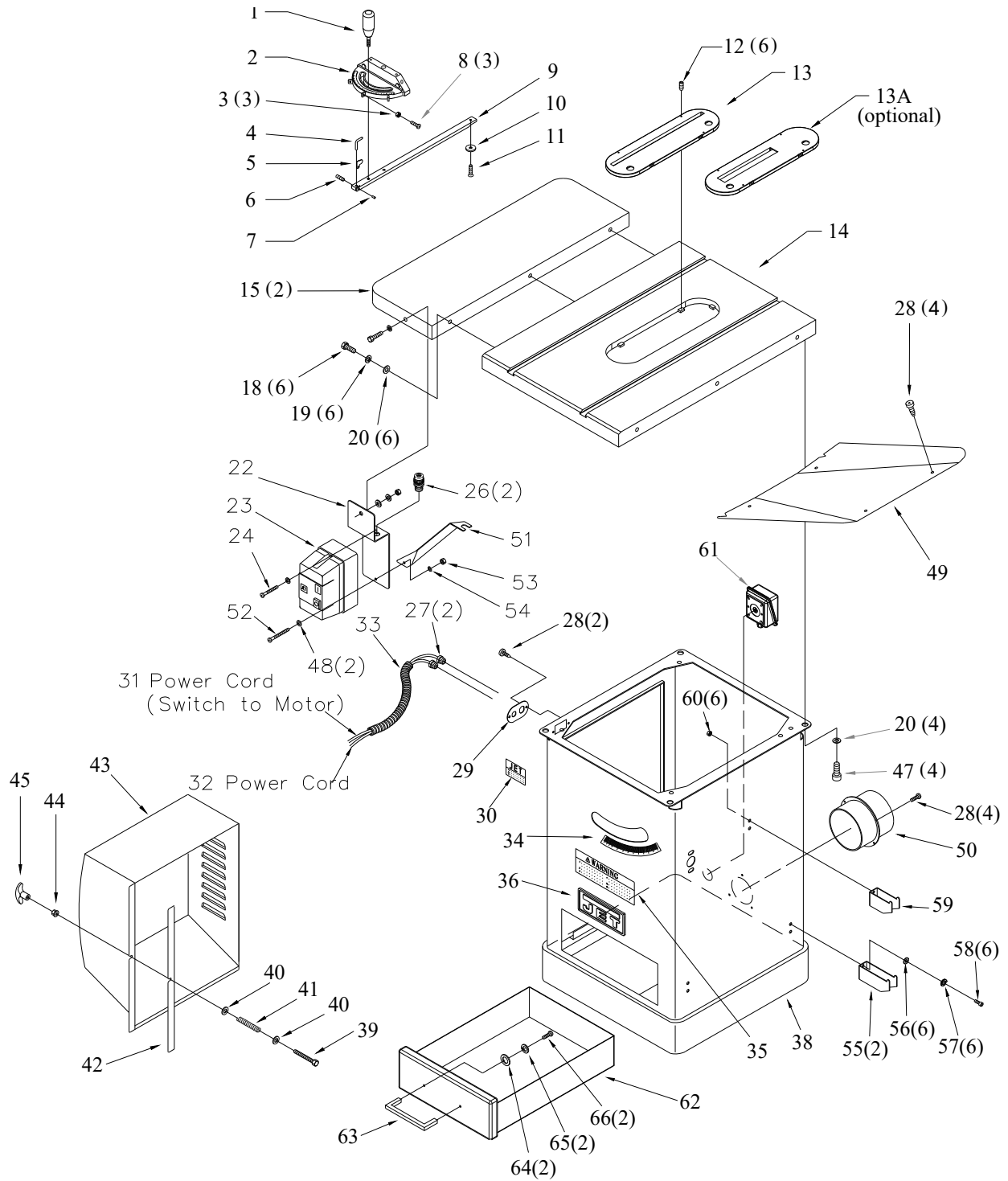
Table and Cabinet Parts List

Index No.	Part No.	Description	Size	Qty
47	TS-0210011	Socket Head Cap Screw	7/16-14x3/4	4
48	TS-0680011	Flat Washer	3/16	2
49	JTAS10L-49WN	Lower Panel		1
50	JTAS10L-50N	Dust Hose Adapter		1
51	JTAS10-52W	Switch Brace Kit **		1
52	TS-081C062	Screw	#10-24x1	1
53	TS-0560071	Hex Nut	#10-24	1
54	TS-0733031	Star Washer	#10	1
55	JTAS10L-55	Hook		2
56	TS-1550041	Flat Washer	M6	6
57	TS-2361061	Lock Washer	M6	6
58	TS-1503041	Socket Head Cap Screw	M6x16	6
59	JTAS10L-59	Hook		1
60	TS-1540041	Hex Nut	M6-1.0	6
61	JTAS10L-61	Electrical Box		1
62	JTAS10L-62	Drawer		1
63	JTAS10L-63	Handle		1
64	TS-1550031	Flat Washer	M5	2
65	TS-0720051	Lock Washer	#10	2
66	TS-081C032	Pan Head Screw	#10-24x1/2	2

* 10" saws with 5HP, 1Ph motor uses these parts.

** Switch Brace kit contains bracket, screw, nut, star washer, and 8mm hex wrench.

Table & Cabinet Exploded View



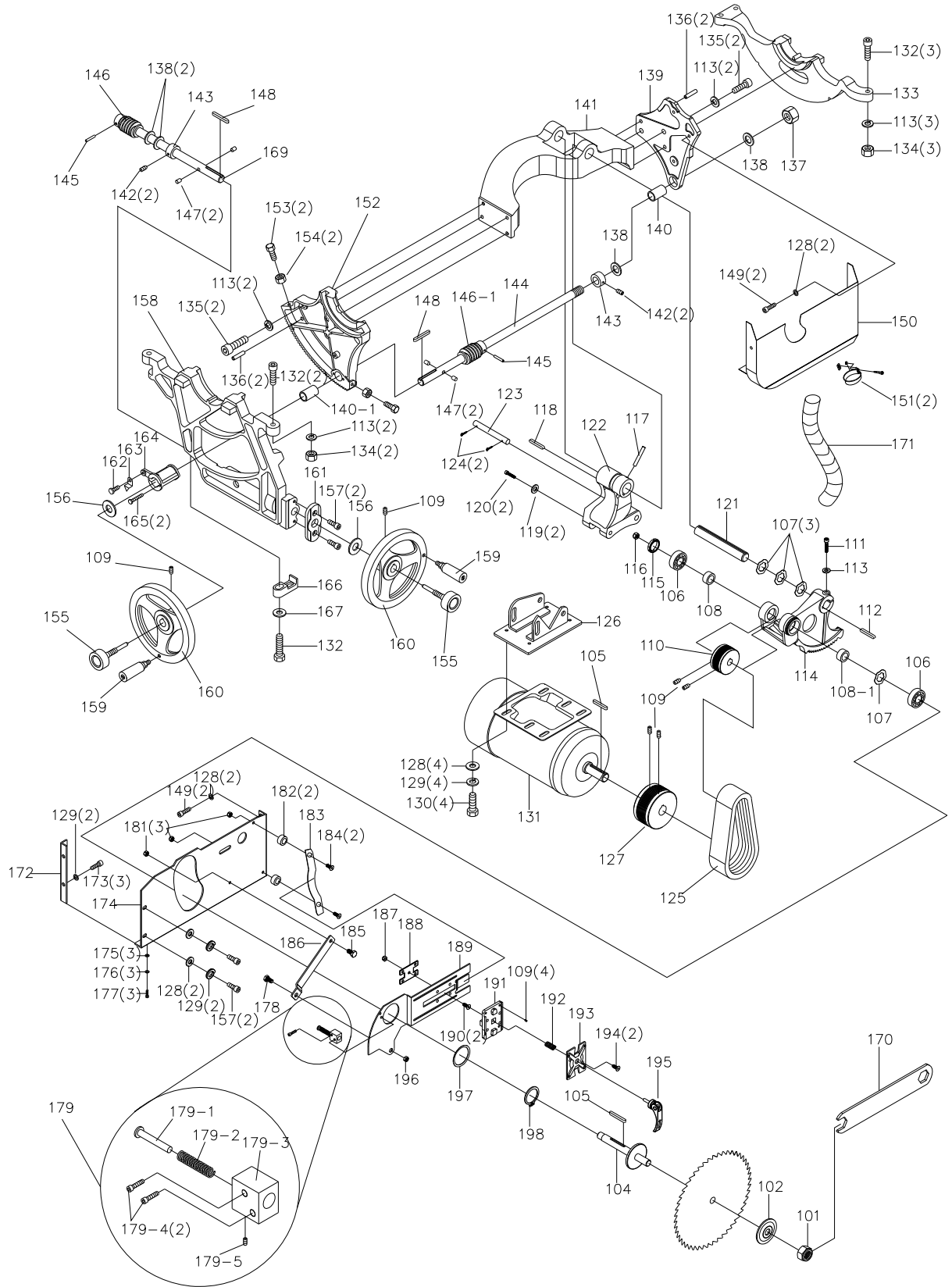
Trunnion & Motor Parts List

Index No.	Part No.	Description	Size	Qty
101	JTAS10L-101	Arbor Nut		1
102	JTAS10-102	Arbor Flange		1
104	JTAS10L-104N	Arbor with Flange		1
105	JTAS10-105	Key	M5x44	2
106	BB-6203ZZ	Ball Bearing	6203ZZ	2
107	JTAS10-107	Wave Washer		4
108	JTAS10-108	Rear Bearing Load Spacer		2
108-1	JTAS10DX-108	Front Bearing Load Spacer		1
109	TS-0267041	Socket Set Screw	1/4-20x3/8	10
110	JTAS10-110N	Arbor Pulley		1
111	TS-0209081	Socket Head Cap Screw	3/8-16x1-3/4	1
112	JTAS10DX-112	Key	1/4x1/4x45	1
113	TS-0720091	Lock Washer	3/8	10
114	JTAS10DX-114	Arbor Bracket		1
115	JTAS10-115	Spanner Nut		1
116	JTAS10L-116	Nut	5/8	1
117	JTAS10-117	Spring Pin	M6x50	1
118	JTAS10-118	Key	1/4x1/4x2-5/16	1
119	TS-0680051	Flat Washer	7/16	2
120	TS-0091031	Hex Cap Screw	7/16-14x1	2
121	JTAS10DX-121	Shaft		1
122	JTAS10-122	Motor Bracket		1
123	JTAS10-123	Pin		1
124	JTAS10-124	Spring Clip		2
125	JTAS10L-125N	Poly V-Belt	260J	1
126	JTAS10DX-126	Motor Mounting Bracket		1
127	JTAS10-127N	Motor Pulley		1
128	TS-0680031	Flat Washer	5/16	10
129	TS-0720081	Lock Washer	5/16	9
130	TS-0081031	Hex Cap Screw	5/16-18x3/4	4
131	JTAS10DX-131N	Motor	3HP, 1Ph, 230V only	1
	JTAS10DX-131C	Motor	5HP, 1Ph, 230V only	1
	JTAS10DX-131A	Motor	5HP, 3Ph, 230/460V	1
	JTAS10DX-131CS	Centrifugal Switch Assembly (not shown)		1
	JTAS10-131D	Fan Cover (not shown)		1
	JTAS10-131F	Motor Fan (not shown)		1
	C-600125	Start Capacitor (not shown)	3HP, 1Ph motor	1
	C-040250	Run Capacitor (not shown)	3HP, 1Ph motor	1
	JTAS10-1315B	Start Capacitor (not shown)	5HP, 1Ph motor	1
	JTAS10-1315A	Run Capacitor (not shown)	5HP, 1Ph motor	1
132	TS-0209071	Socket Head Cap Screw	3/8-16x1-1/2	6
133	JTAS10DX-133	Rear Trunnion Bracket		1
134	TS-0561031	Hex Nut	3/8-16	5
135	TS-0209051	Socket Head Cap Screw	3/8-16x1	4
136	JTAS10-136	Spring Pin	M8x25	4
137	TS-0561081	Hex Nut	3/4-10	1
138	JTAS10-138	Fiber Washer		4
139	JTAS10DX-139	Rear Trunnion		1
140	JTAS10-140	Rear Bushing		2
140-1	JTAS10DX-140	Front Bushing		1
141	JTAS10DX-141	Yoke		1
142	TS-0270011	Socket Set Screw	5/16-18x1/4	4
143	JTAS10-143	Collar		2
144	JTAS10DX-144	Shaft		1
145	JTAS10-145	Spring Pin	M5x30	2
146	JTAS10-146	Worm (Left thread)		2
146-1	JTAS10DX-146	Worm (Right thread)		1
147	JTAS10-147	Lock Pin		4
148	JTAS10-148	Key	M5x35	2

Trunnion & Motor Parts List

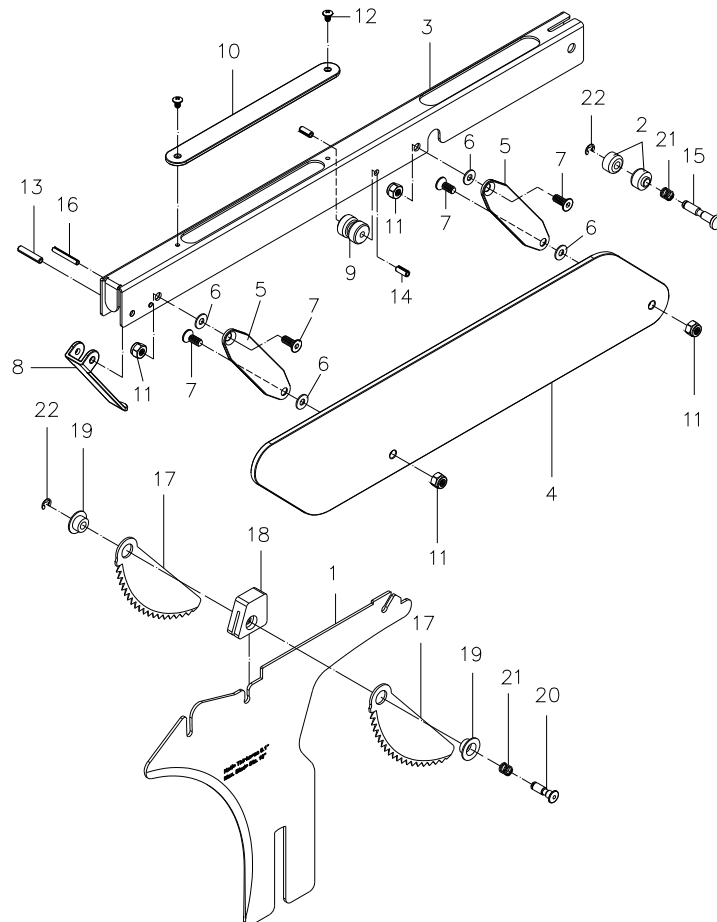
Index No.	Part No.	Description	Size	Qty
149	TS-0208041	Socket Head Cap Screw	5/16-18x3/4"	4
150	JTAS10L-150N	Dust Deflector		1
151	JTAS10L-151N	Hose Clamp		2
152	JTAS10DX-152	Front Trunnion		1
	JTAS10DX-TA	Trunnion Assembly (#113, 135, 136, 139 through 141, and 152)		1
153	TS-0051021	Hex Cap Screw	5/16-18x5/8	2
154	TS-0561021	Hex Nut	5/16-18	2
155	JTAS10-155A	Lock Knob		2
156	JTAS10-156	Fiber Washer		2
157	TS-0208061	Socket Head Cap Screw	5/16-18x1	2
158	JTAS10DX-158	Front Trunnion Bracket		1
159	JTAS10-159	Hand Wheel Handle		2
160	JTAS10-160	Hand Wheel		2
161	JTAS10-161	Shield Plate		1
162	TS-0813022	Round Head Screw	1/4-20x3/8	1
163	JTAS10-163	Pointer		1
164	JTAS10-164	Pointer Bracket		1
165	TS-081C102	Pan Head Screw	#10-24x2	2
166	JTAS10DX-166	Guide Block		1
167	TS-0680041	Flat Washer	3/8	1
169	JTAS10DX-169	Tilt Shaft		1
170	JTAS10L-170	Wrench		1
171	JTAS10L-171	Hose	700mm	1
172	JTAS10L-172	Plate		1
173	TS-0208041	Socket Head Cap Screw	5/16-18x3/4	3
174	JTAS10L-174	Chip Plate		1
175	TS-0680011	Flat Washer	3/16	3
176	TS-0720051	Lock Washer	#10	3
177	JTAS10L-177	Hex Cap Bolt	#10-24x3/8	3
178	JTAS10L-178	Special Screw		1
179	JTAS10L-179A	Arbor Lock Insert Assembly (#179-1through 179-5)		1
179-1	JTAS10L-179-1	Arbor Lock Insert	Ø8	1
179-2	JTAS10L-179-2	Spring		1
179-3	JTAS10L-179-3	Insert Bracket		1
179-4	TS-1502051	Socket Head Cap Screw	M5 x 20	2
179-5	TS-1521041	Socket Set Screw	M4 x 10	1
180	JTAS10L-180	Spring		1
181	TS-0640071	Nylon Insert Lock Nut	1/4-20	3
182	JTAS10L-182N	Spacer		2
183	JTAS10L-183	Guide Bracket		1
184	TS-0245051	Flat Head Socket Screw	1/4-20x1	2
185	JTAS10L-185	Special Screw		1
186	JTAS10L-186	Extension Support Plate		1
187	TS-1541021	Nylon Insert Lock Nut	M6	1
188	JTAS10L-188	Plate		1
189	JTAS10L-189A	Riving Knife Extension Plate		1
190	TS-1513021	Flat Head Socket Screw	M5x12	2
191	JTAS10L-191	Clamping Block		1
192	JTAS10L-192	Spring		1
193	JTAS10L-193	Clamping Block		1
194	TS-1514031	Flat Head Socket Screw	M6X20	2
195	JTAS10L-195	Locking Handle		1
196	TS-1541031	Nylon Insert Lock Nut	M8	1
197	JTAS10L-197	Spring Shim Ring		1
198	JTAS10L-198	C-Ring	S52	1

Trunnion & Motor Assembly Drawing



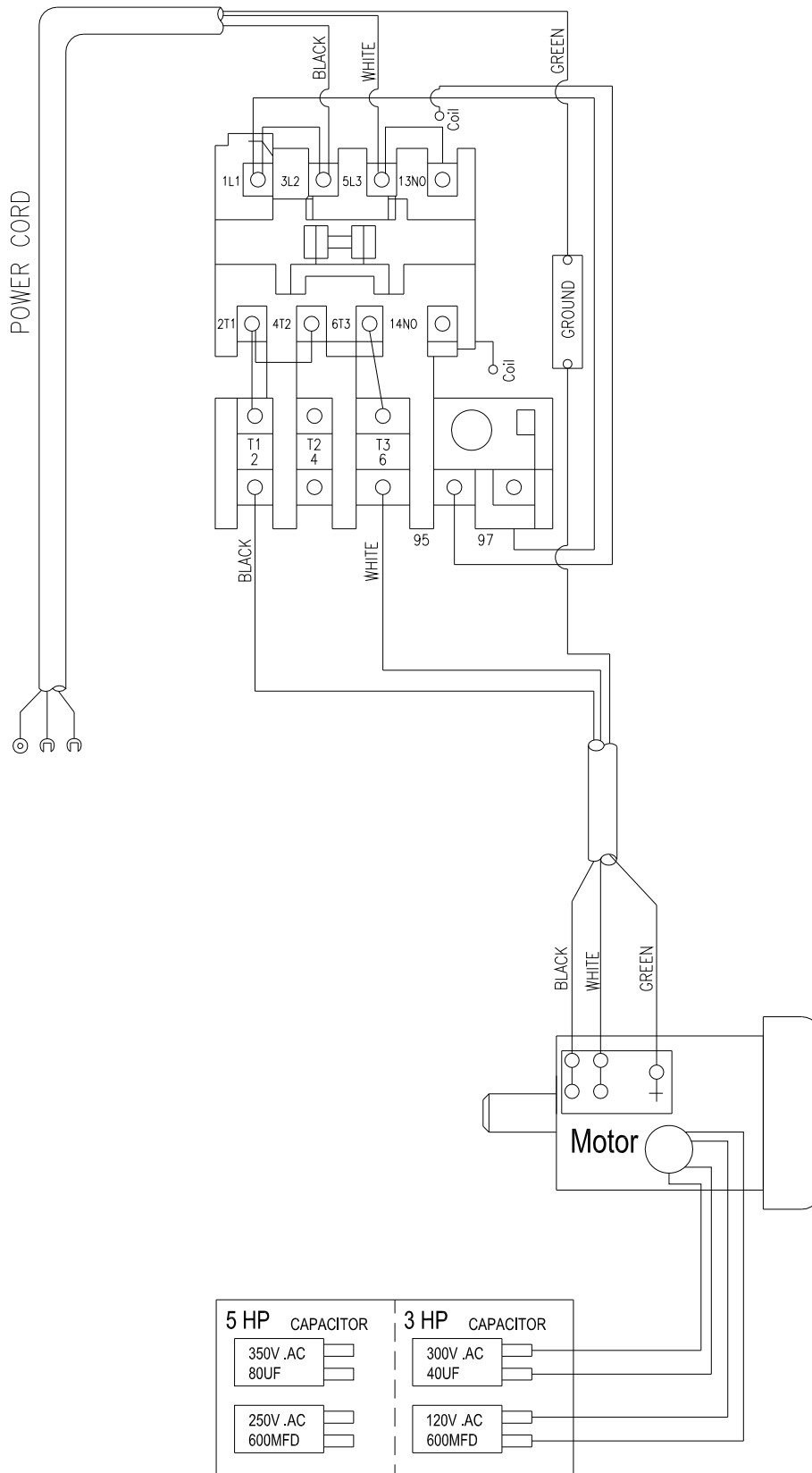
Blade Guard Parts and Assembly

Index No.	Part No.	Description	Size	Qty
1	JTAS10L-301	Riving Knife		1
	JTAS10DX-BGA	Blade Guard Assembly (Index #2 thru 16, 21, 22)		1
2	PM2000-302	Bushing		2
3	JTAS10L-303	Blade Guard Body		1
4	JTAS10L-304	Blade Guard Side Shield		2
5	PM2000-305	Linking Plate		4
6	TS-1550041	Flat Washer	M6	8
7	TS-1514021	Flat Head Socket Screw	M6x16	8
8	PM2000-308	Front Shield		1
9	PM2000-309	Bushing		1
10	PM2000-310	Top Sight Shield		1
11	TS-1541021	Nylon Insert Lock Nut	M6	8
12	TS-081B012	Pan Head Screw	#8-32x1/4	2
13	PM2000-313	Roll Pin	5x25	1
14	PM2000-314	Roll Pin	5x12	2
15	PM2000-315	Lock Pin		1
16	PM2000-316	Roll Pin	4x28	1
	PM2000-AKPA	Anti-Kickback Pawl Assembly (Index #17 thru 22)		1
17	PM2000-317	Anti-Kickback Pawl		2
18	PM2000-318	Pawl Base		1
19	PM2000-319	Flange		2
20	PM2000-320	Lock Pin		1
21	PM2000-321	Spring		2
22	PM2000-322	E-Clip	E5	2



Wiring Diagrams for XACTA Deluxe Table Saws

3HP/5HP, 230V, 1Phase



5HP, 230V, 3 Phase

power Cord

MAGNETIC SWITCH 230V ONLY
REPLACE THE MAGNETIC SWITCH WITH
PART# JTAS10-23B FOR 460V

