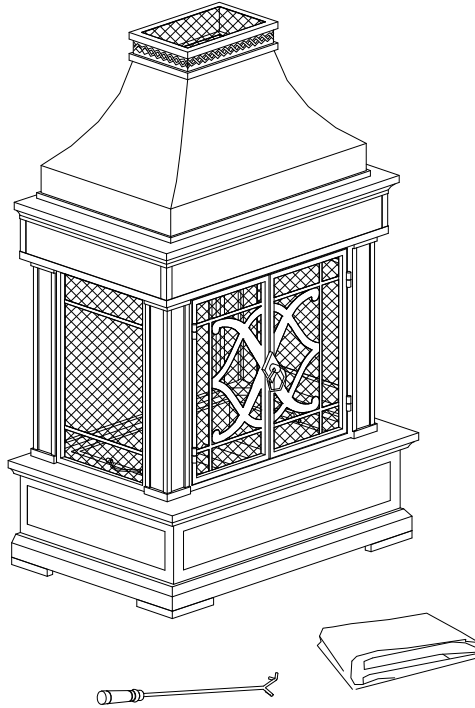


ASSEMBLY INSTRUCTION

ITEM#: A304001000



Cautions:

- Keep all children and pets away from assembly area. Children and pets should be supervised while product is being assembled.
- This unit is heavy, two people are recommended for safe assembly.
- Some parts may contain sharp edges. Wear protective gloves if necessary during assembly.
- When assembling and using this product, basic safety precautions should always be followed to reduce the risk of personal injury and damage to equipment. Please read all instructions before assembly and use.
- This fireplace is intended for outdoor use only. Do not use on wooden decks.
- This outdoor fireplace is intended to burn **wood logs only**. Do not burn coal, leaves, or other combustible materials in the fireplace.
- The fireplace is hot. Use with caution. Do not touch the hot fireplace with bare hands.
- Never leave the burning fireplace unattended, and always extinguish the fire completely before leaving the fire bowl. Do not use near flammable or combustible objects or materials.
- When the fireplace is in use, the handle on the mesh screen can reach extreme temperatures that can cause serious injury to an unprotected hand. Use a poker or an appropriate heat resistant glove or pad when handling.
- Do not use the fireplace as cooking appliance. The fireplace isn't designed for grilling food.
- Check local fire regulations and municipal by-laws for safe use.

Important:

For technical assistance on assembly or replacement parts, please call Sunjoy Group at 1(866) 578-6569 anytime. You may email to customer.care@sunjoygroup.com or visit www.sunjoyonline.com to place your order or fax your parts replacement order form (which included in the packaging) together with your purchase receipt to 1 (740) 283-3549 for assistance

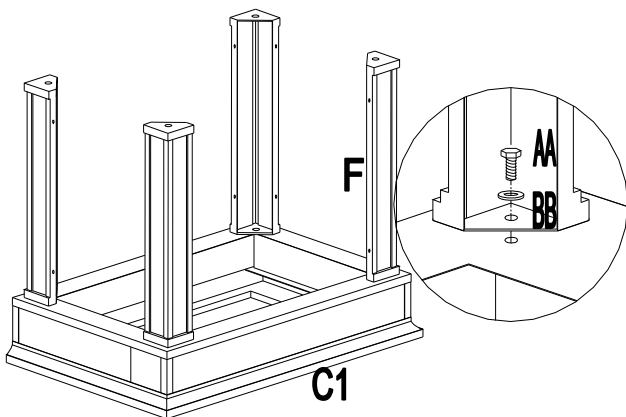
Parts List

No.	Description	Part#	Qty
A	Chimney Top	P000300049	1
B	Chimney	P000300050	1
C1	Upper Base	P000300051	1
D	Side Mesh	P003800305	2
E1	Rear Board	P004000171	1
F	Post	P000200380	4
G	Door	P004100097	1
H	Slice	P005600254	1
I	Door Holder	P005100195	1
J1	Grate	P002800025	1
J	Fire Bowl	P002500111	1
K1	Base	P002100267	1
L	Poker	P002700035	1
N	Cover	P006900023	1

Hardware Pack

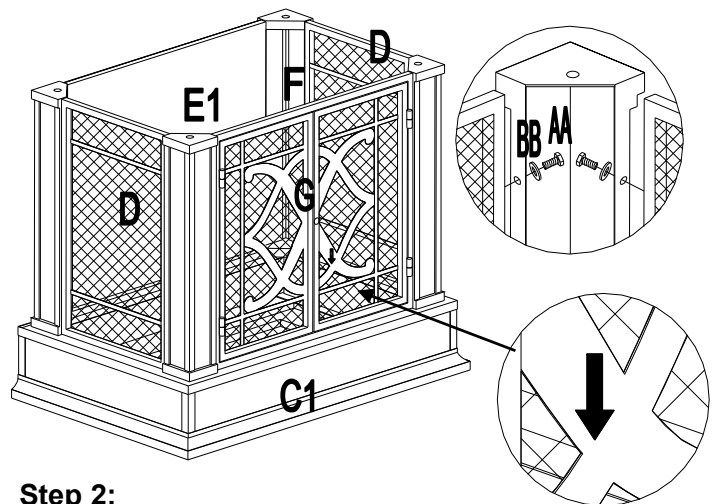
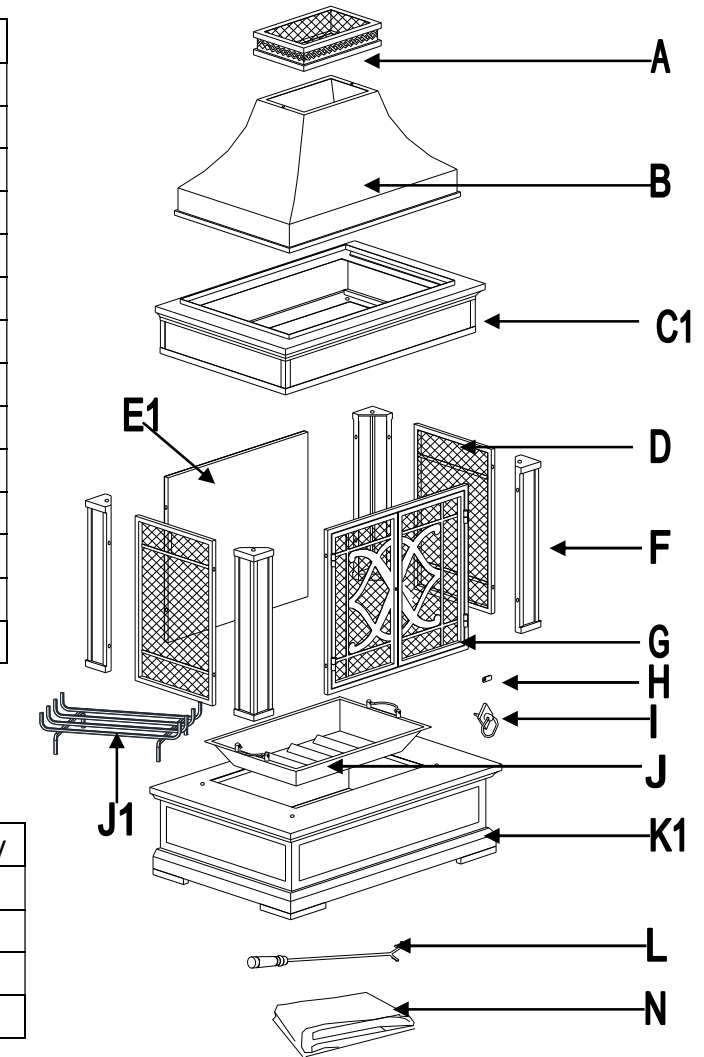
No	Description	Part#	Qty
AA	Bolt M6x15	H02015C11	26
BB	Flat Washer M6	H19001C11	26
CC	Nut M6	H14001C11	1
DD	Wrench M6	H00001C12	1

Assembly Steps



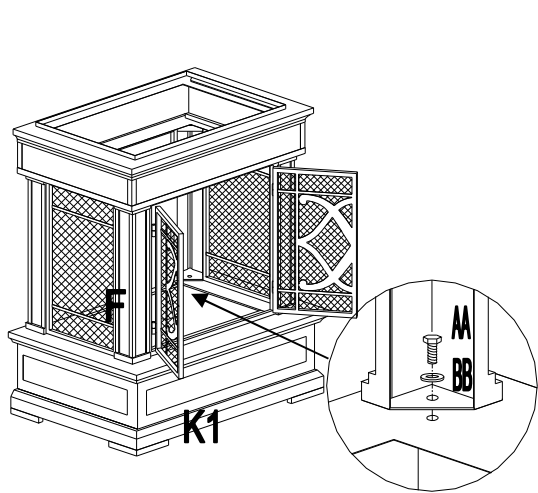
Step 1:

Place Upper Base (C1) be upside down on a flat and clean surface, then assemble 4pcs Posts (F) and Upper Base (C1) together with 4pcs Bolts (AA) and Flat Washer (BB).



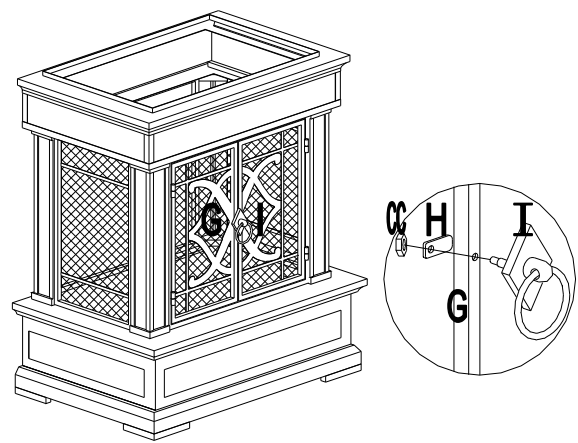
Step 2:

Place Rear Board (E1), Side Mesh (D) and Door (G) between two Posts (F), and use 16pcs Bolts and Flat Washers. Fasten with Wrench (DD). Do not tighten now. Place the door as the arrow direction



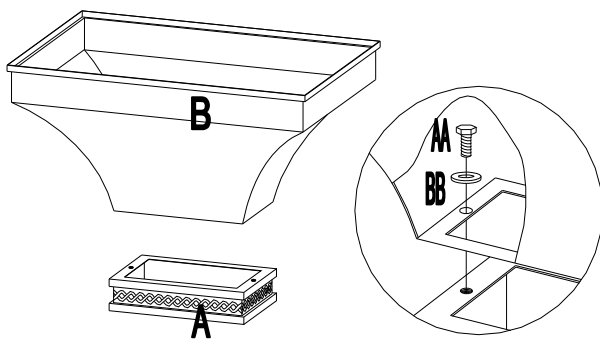
Step 3:

Place assembled (C/D/E/F/G) on Base(K1), then fix Post (F) by using Bolt (AA) and Flat washer (BB), locking all screws.



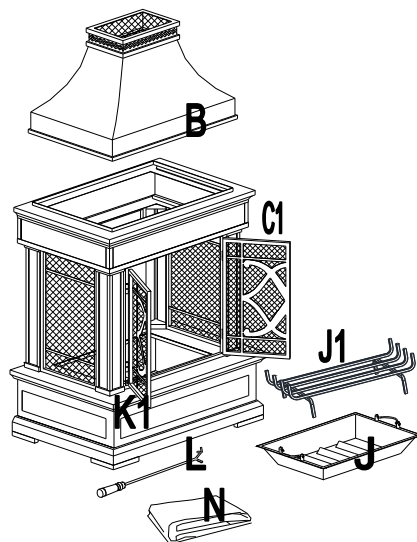
Step 4:

Attach Door Holder (I) to Door (G) by through Door (G), and Slice (H), then fix it by Nut (CC) as shown in above.



Step 5:

Attach chimney top (A) to chimney (B), by using bolt (AA) and flat washer (BB),locking in chimney (B),then turn over the assembled chimney180°.



Step 6:

Put Chimney (B) on Upper Base (C1). Open the door and put Fire Bowl (J) and Grate (J1) in Base (K1). Put Poker (L) and Cover (N) nearby.

Care & Maintenance

Before using, clean the table completely with a soft dry towel. When not in use, wipe free of any dirt or loose objects, wash with a mild solution of soap and water; rinse thoroughly and dry completely.

Do not use strong detergent or abrasive cleaners. When not in use, recommend the use of patio furniture covers.

Steel components of garden accessories and furniture are treated with rust inhibiting paint. However, due to the nature of steel, surface oxidation (rusting) will occur if this protective coating is scratched.

To minimize this condition, it is recommended that care be taken when assembling and handling the product, in order to prevent the paint from being scratched.

Like all topical coatings, cleaning should be with a non-abrasive neutral pH cleaner, you may call the toll free number 877-738-7325 to obtain it from V-SEAL Sealers.

Limited Warranty

Sunjoy Group warrants to the original purchaser that this item is free from defects in workmanship and materials for a period of 1 year from the date of purchase, provided the item was factory-sealed at the time of purchase and is maintained with care and used only for personal, residential purposes. Should any manufacturing defect arise within this warranty period, Sunjoy Industries will repair or replace (at our option) any defective merchandise upon proof of purchase; however, transportation and delivery costs, as well as payments to a third party for assembly or disassembly of the item, remain the responsibility of the purchaser. A purchaser of an "open box," previously-returned, or "clearance" item, as well as original purchasers outside of the warranty period, may obtain replacement parts from Sunjoy Industries for products in current production, at nominal cost.

Exclusions

Items used for commercial, contract, or other non-residential purposes, or items damaged due to acts of nature, vandalism, misuse, or improper assembly are not covered. Corrosion or rusting of hardware is not covered. Proof of purchase (dated register receipt) is required for warranty claims. Warranty is to the original purchaser and is non-transferable. Any replacement of warranted items will be in the original style and color, or a similar style and color if the original is unavailable or has been discontinued. As some states do not allow exclusions or limitations on an implied warranty, the above exclusions and limitations may not apply. This warranty gives you specific rights, and you may also have other rights, which vary from state to state.