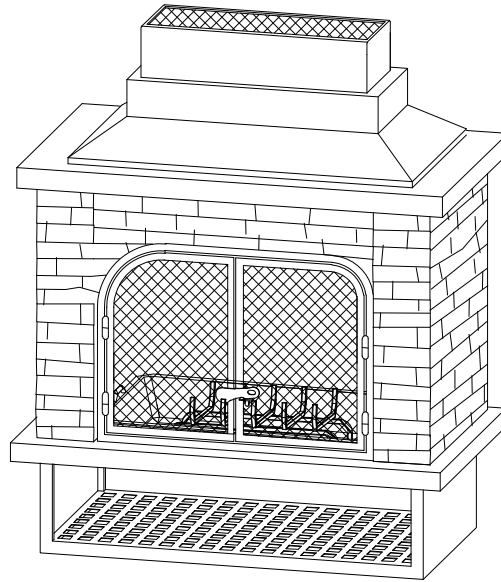


# ASSEMBLY INSTRUCTION

ITEM#: A304001100



## Cautions:



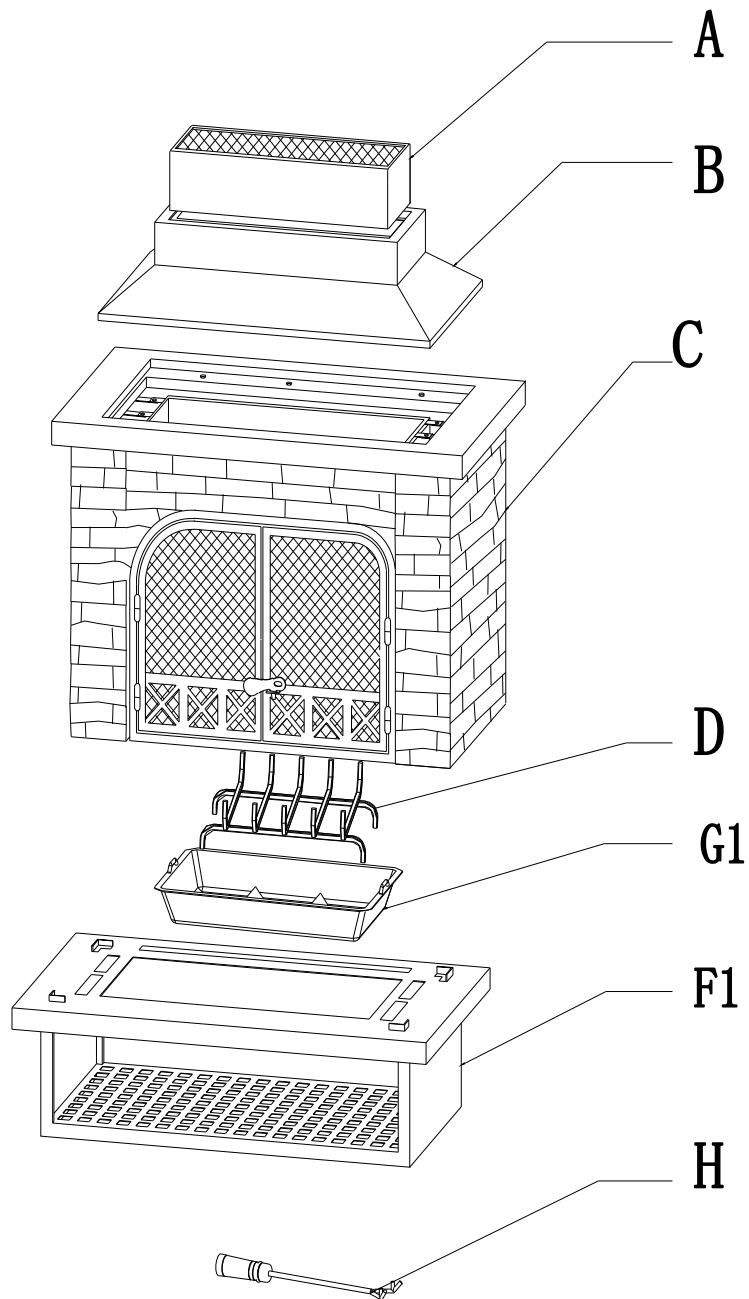
- Keep all children and pets away from assembly area. Children and pets should be supervised while product is being assembled.
- This unit is heavy, two people are recommended for safe assembly.
- Some parts may contain sharp edges. Wear protective gloves if necessary during assembly.
- When assembling and using this product, basic safety precautions should always be followed to reduce the risk of personal injury and damage to equipment. Please read all instructions before assembly and use.
- This fireplace is intended for outdoor use only. Do not use on wooden decks.
- This outdoor fireplace is intended to burn **wood logs only**. Do not burn coal, leaves, or other combustible materials in the fireplace.
- The fireplace is hot. Use with caution. Do not touch the hot fireplace with bare hands.
- Never leave the burning fireplace unattended, and always extinguish the fire completely before leaving the fire bowl. Do not use near flammable or combustible objects or materials.
- When the fireplace is in use, the handle on the mesh screen can reach extreme temperatures that can cause serious injury to an unprotected hand. Use a poker or an appropriate heat resistant glove or pad when handling.
- Do not use the fireplace as cooking appliance. The fireplace isn't designed for grilling food.
- Check local fire regulations and municipal by-laws for safe use.

## Important:

For technical assistance on assembly or replacement parts, please call Sunjoy Group at 1(866) 578-6569 anytime. You may email to [customer.care@sunjoygroup.com](mailto:customer.care@sunjoygroup.com) or visit [www.sunjoyonline.com](http://www.sunjoyonline.com) to place your order or fax your parts replacement order form (which included in the packaging) together with your purchase receipt to 1 (740) 283-3549 for assistance.

## Parts list:

Part#	Dec.	Part Number	Qty
A	Chimney	P000900083	1
B	Top	P000900084	1
C	Body	P007900043	1
D	Grate	P002800025	1
F1	Base	P000100283	1
G1	Ash tray	P003000012	1
H	Poker	P002700035	1



## ASSEMBLY STEPS:

**Fig. 1**

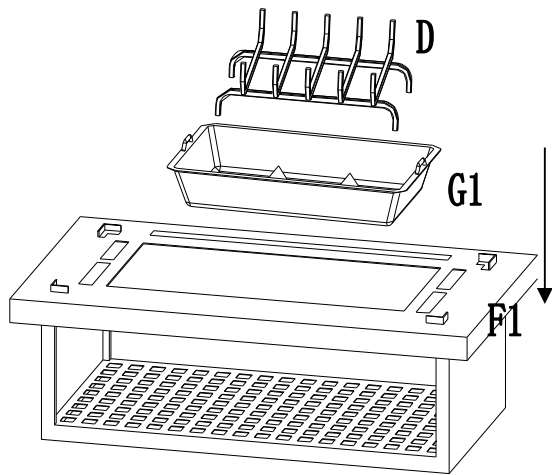


Fig 1: Put the Grate (D) into ash tray (G1) then place the ash tray (G1) into Base(F1).

**Fig.2**

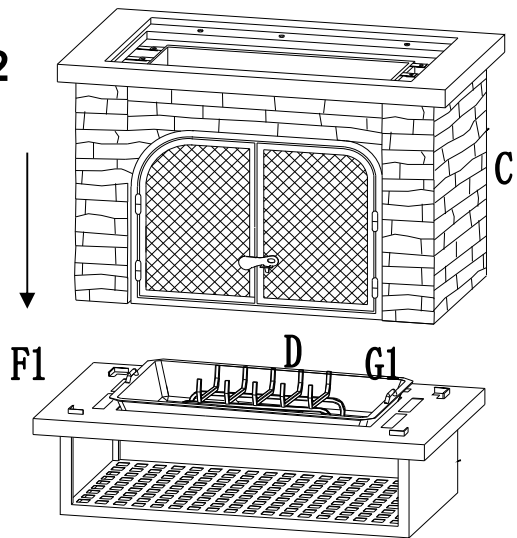


Fig 2: Place Body(C) onto Base (F1).

**Fig.3**

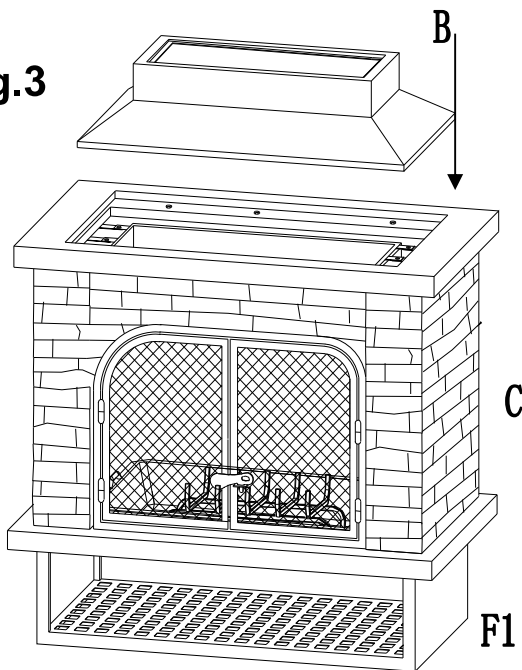


Fig 3: Place the top (B) onto Body (C).

**Fig.4**

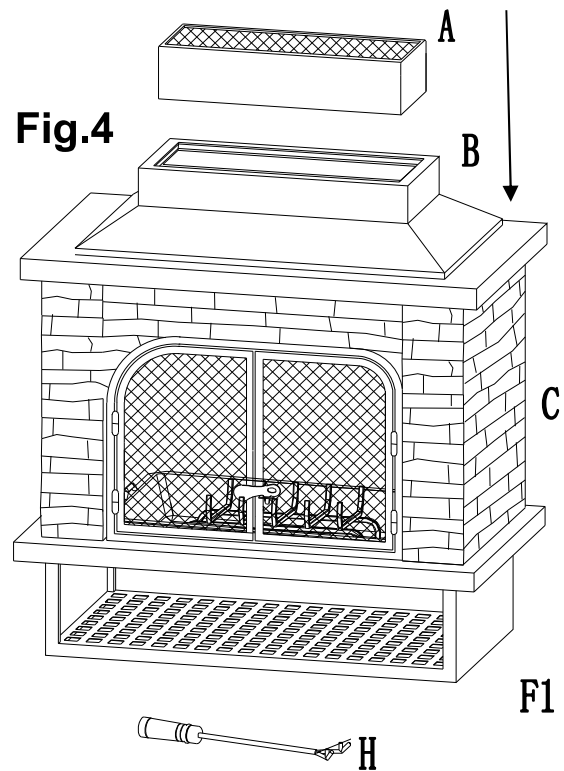


Fig 4: Place Chimney (A) onto Body (B), keep the Poker (H) around your fireplace.

## **Care & Maintenance:**

Before using, clean the table completely with a soft dry towel. When not in use, wipe free of any dirt or loose objects, wash with a mild solution of soap and water; rinse thoroughly and dry completely.

Do not use strong detergent or abrasive cleaners. When not in use, we recommend the use of a patio furniture cover, or similar protection. (not included)

Steel components of garden accessories and furniture are treated with rust inhibiting paint. However, due to the nature of steel, surface oxidation (rusting) will occur if this protective coating is scratched.

To minimize this condition, it is recommended that care be taken when assembling and handling the product, in order to prevent the paint from being scratched.

## **Limited Manufacturer's Warranty:**

Sunjoy Group warrants to the original purchaser that this item is free from defects in workmanship and materials for a period of one (1) year from the date of purchase, provided the item was factory-sealed at the time of purchase and is maintained with care and used only for personal, residential purposes. Should any manufacturing defect arise within this warranty period, Sunjoy Group will repair or replace (at our option) any defective merchandise upon proof of purchase; however, transportation and delivery costs, as well as payments to a third party for assembly or disassembly of the item, remain the responsibility of the purchaser. A purchaser of an "open box," previously-returned, or "clearance" item, as well as original purchasers outside of the warranty period, may obtain replacement parts from Sunjoy Group for products in current production, at nominal cost.

## **Exclusions:**

Items used for commercial, contract, or other non-residential purposes, or items damaged due to acts of nature, vandalism, misuse, or improper assembly are not covered. Corrosion or rusting of hardware is not covered. Proof of purchase (dated register receipt) is required for warranty claims. Warranty is to the original purchaser and is

non-transferable. Any replacement of warranted items will be in the original style and color, or a similar style and color if the original is unavailable or has been discontinued. As some states do not allow exclusions or limitations on an implied warranty, the above exclusions and limitations may not apply. This warranty gives you specific rights, and you may also have other rights, which vary from state to state.

## **WARNING:**

Fuels used in wood or charcoal burning appliances, and the products of combustion of such fuels, contain chemicals known to cause cancer, birth defects or other reproductive harm.