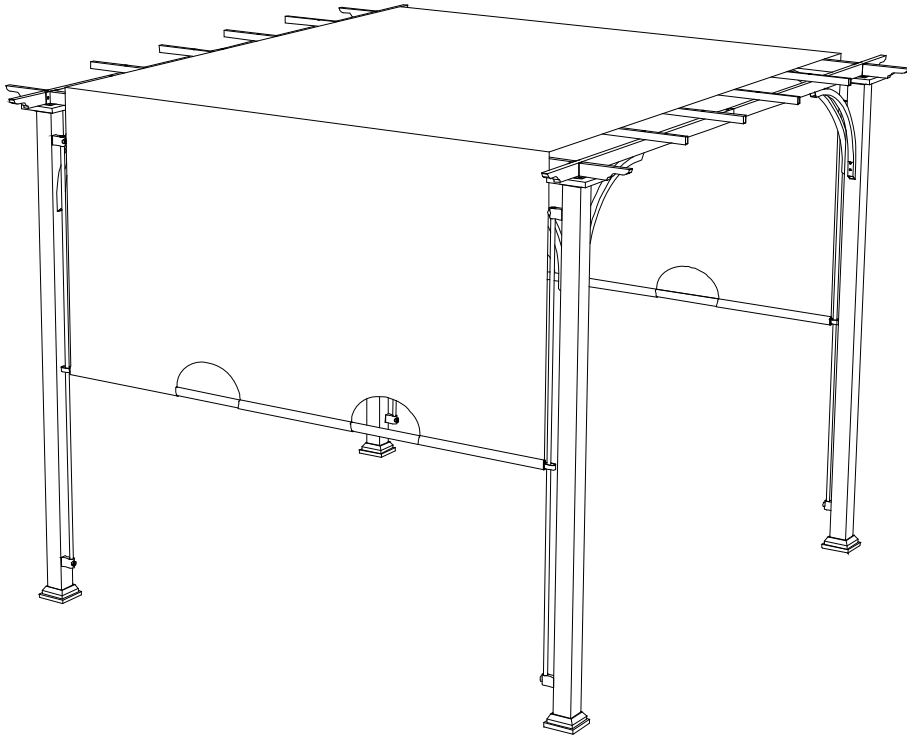


**ITEM NO.: A106005500**



**WE HAVE YOU IN MIND, LET US SERVE YOU!**

Questions? Issues?

**CONTACT US**

24 hours / 7 days a week

 Warranty Parts

[www.sunjoyonline.com](http://www.sunjoyonline.com)



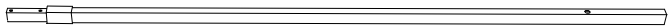


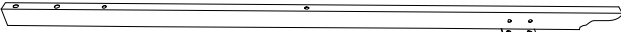
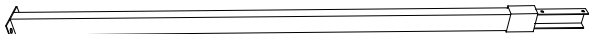
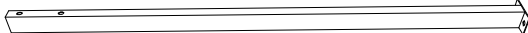
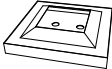

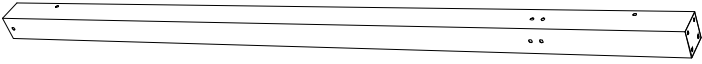
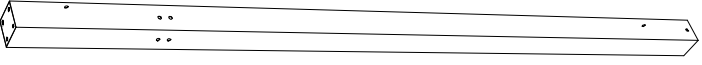
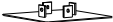
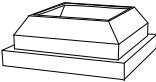



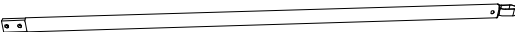

[customer.care@sunjoygroup.com](mailto:customer.care@sunjoygroup.com)

Toll Free






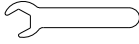
1-(866)-578-6569

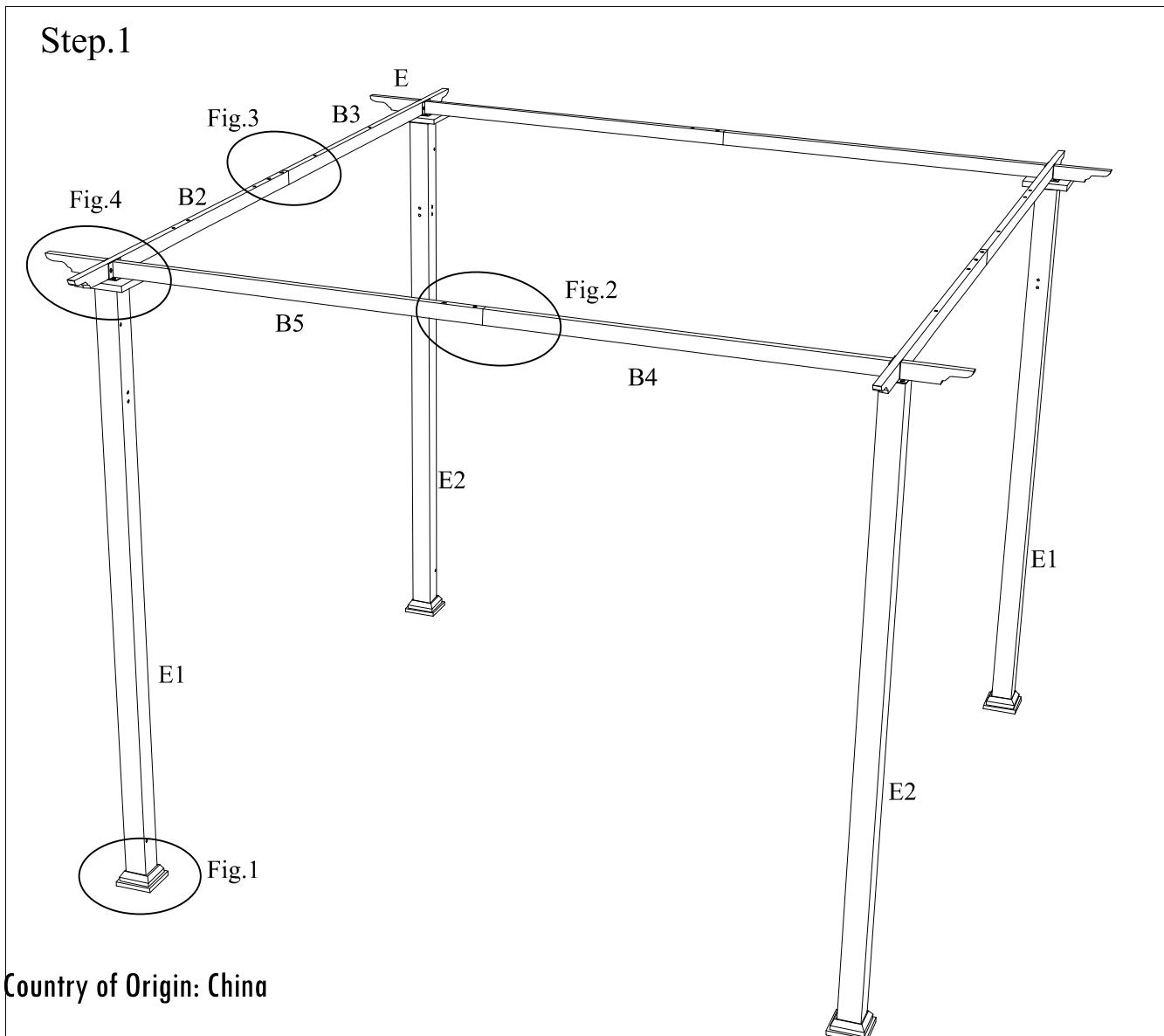
## Parts List

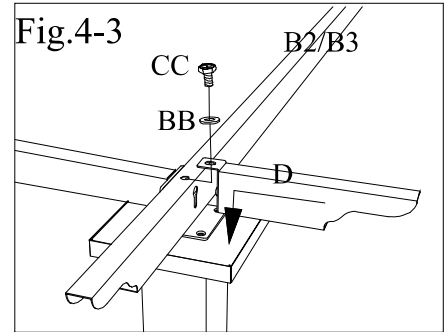
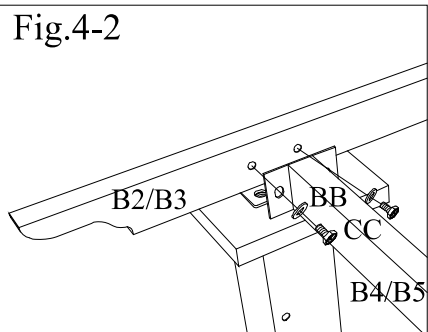
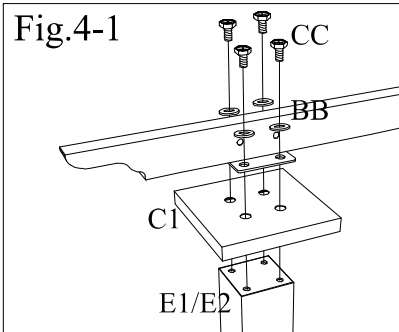
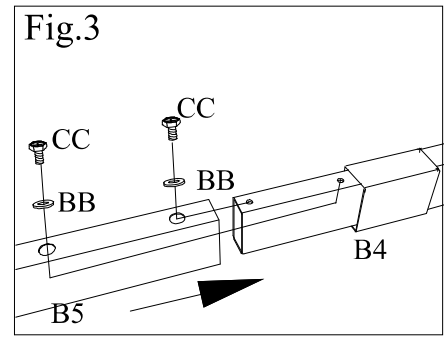
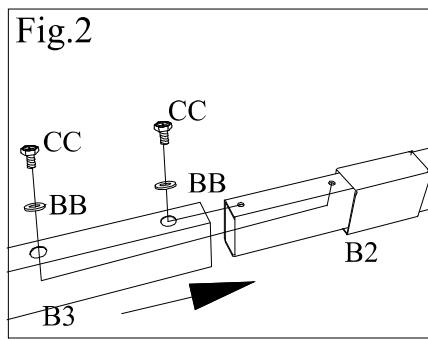
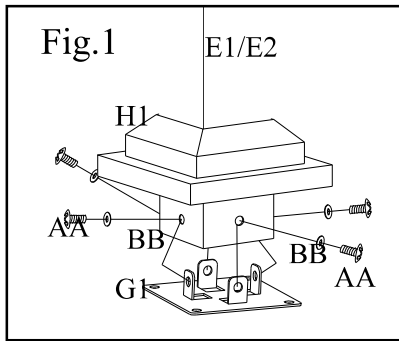
A1	Top beam 1	P000601290	4	
A2	Top beam 2	P000601291	4	
B2	Long side beam1	P000400852	2	
B3	Long side beam2	P000400853	2	
B4	Short side beam 1	P000400854	2	
B5	Short side beam 2	P000400855	2	
C1	Conner	P000300083	4	
D	Decorate tube	P005600295	4	
E1	Post 1	P000200445	2	
E2	Post 2	P000200446	2	
G1	Stake	P000100313	4	
H1	Stake cover	P006100161	4	
I1	Arc support	P005000392	8	
L1	Rail connector	P005700630	8	
N1	Rail beam	P000501118	4	
M1	Canopy rod 1	P005700631	4	
M2	Canopy rod 2	P005700632	4	

O1	Canopy	P001100520	1	
----	--------	------------	---	---

**Hardware Pack 1**

AA	H010110016	M6 * 15 Bolt	16PCS	
BB	H050010023	M6 Flat Washer	52PCS	
CC	H010020012	M6 * 20 Bolt	36PCS	
Z	H090010009	M6 Wrench	1 PCS	





**Fig.1-1:** Put the stake cover (H1) through the post (E1/E2), up the stake cover (H1), then attach stake (G1) to post (E1/E2) bottom, fasten by using bolt (AA) and washer (BB) .

**Fig.2:** Attach long side beam 1 (B2) to long side beam2 (B3) , By using bolt (CC) and washer (BB) .

**Fig.3:** Attach short side beam 1 (B4) to short side beam2 (B5) ,by using bolt (CC) and washer (BB) .

**Fig.4-1:** Attach corner (C1) to top of post (E1/E2) .

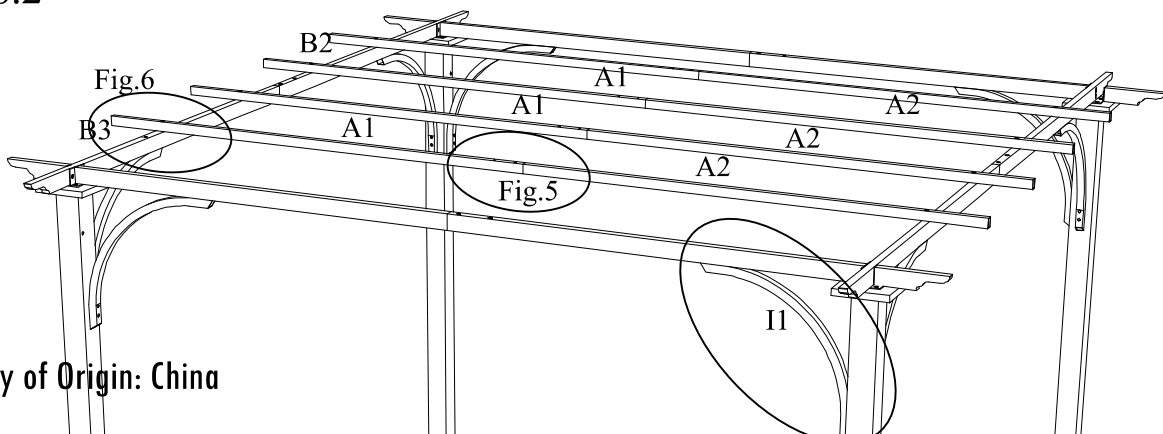
**Fig.4-2:**Attached Short side beam (B4/B5) to long side beam (B2/B3) , then fix by using bolt (CC) and washer (BB) .

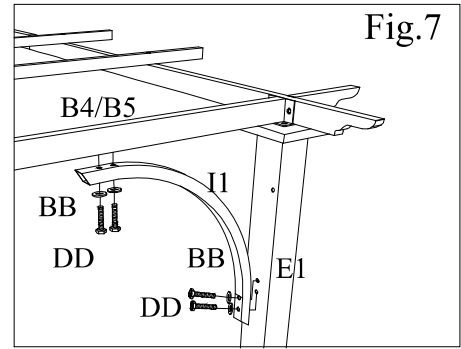
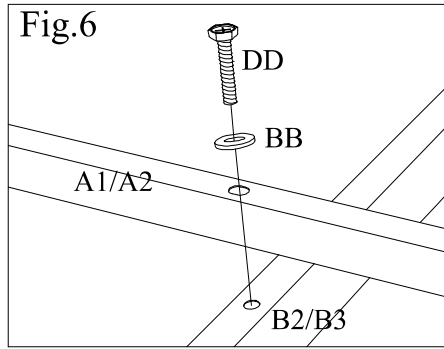
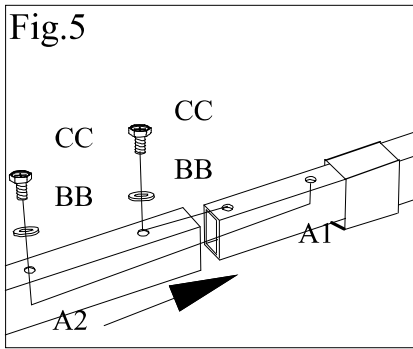
**Fig.4-3:**Install the nitrate of decorative pipe(D) onto the hoist hole of crossbeam(B2/B3) and fix it with bolt (CC) through gasket(BB)

### Hardware Pack 2

BB	H050010023	M6 Flat Washer	48 PCS	
CC	H010020012	M6 * 20 Bolt	8 PCS	
DD	H010020022	M6 * 40 Bolt	40 PCS	

### Step.2




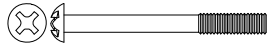
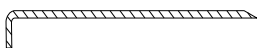



**Fig.5:** Attach top beam 1 (A1) to top beam 2 (A2) , fix by using bolt (CC) and washer (BB) .

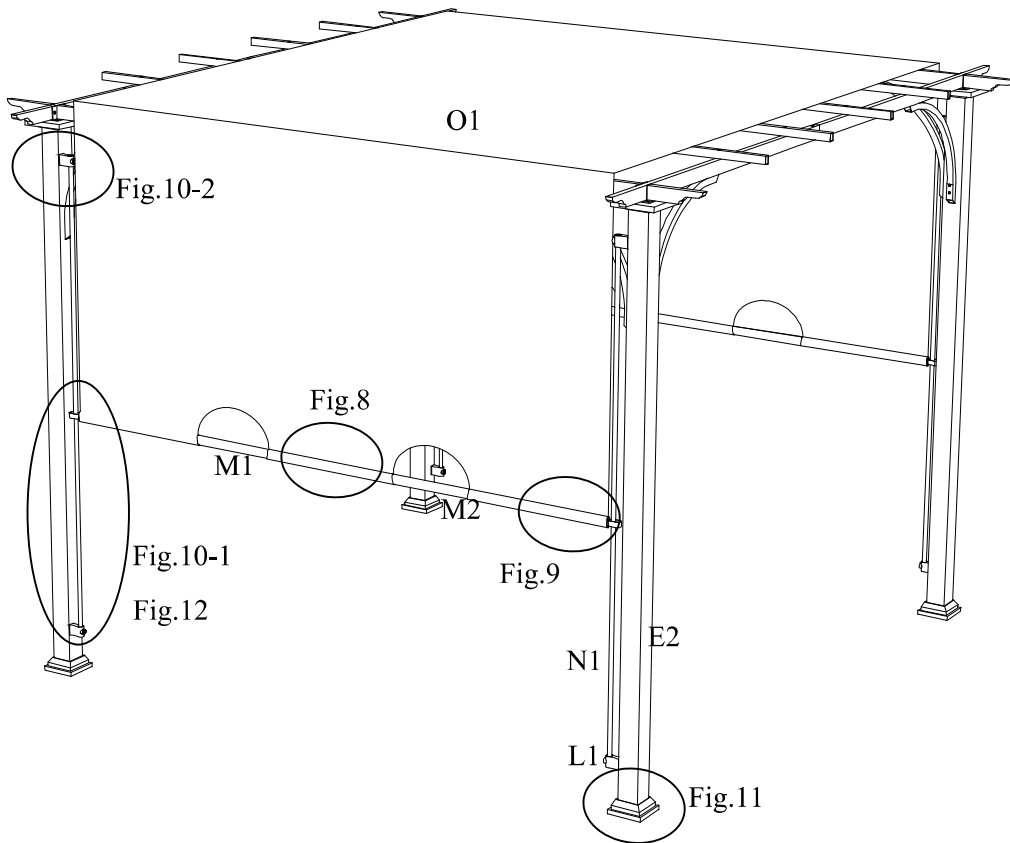
**Fig.6:** Fix assembled top beam1/ beam2 (A1/A2) to assembled long side beam1/ long side beam1 (B2/B3) ,by using bolt (DD) and washer (BB).

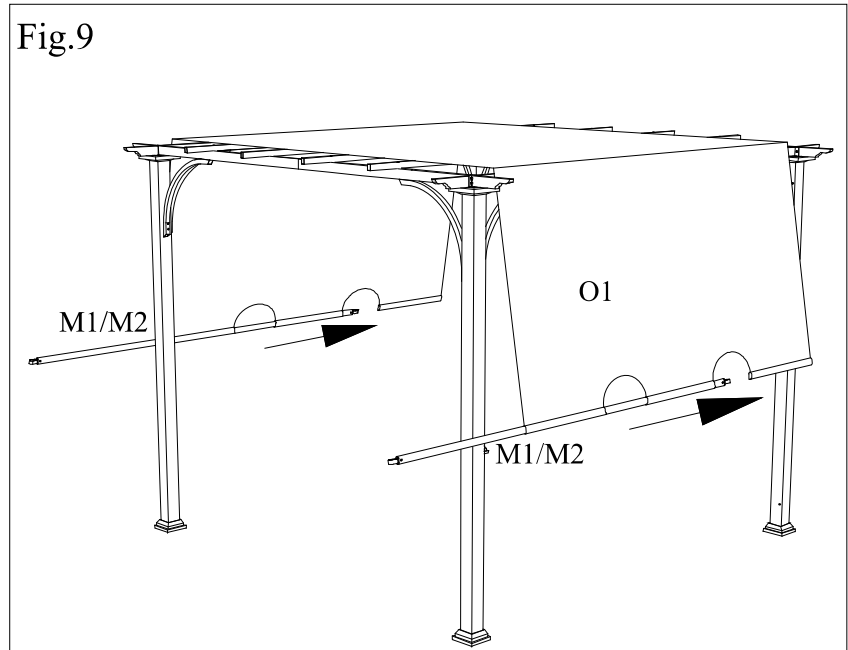
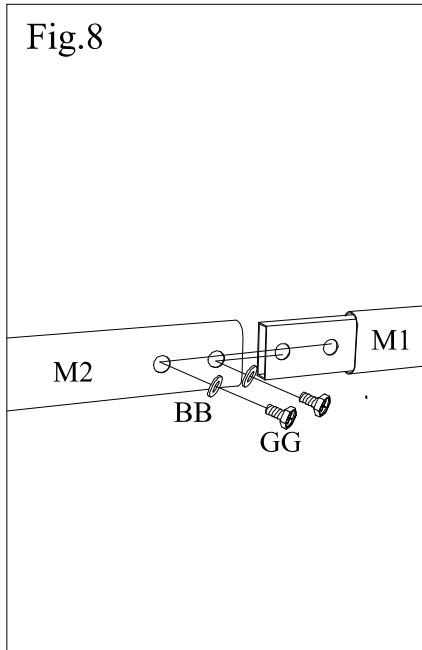
**Fig.7:** Attach top beam 1/ top beam 1 (A1/A2) to short side beam1/ short side beam2 (B4/B5) ,by using bolt (DD) and washer (BB) .

**Hardware Pack 3**

BB	H050010023	M6 Flat Washer	4 PCS	
EE	H010020011	M6 * 75 Bolt	8 PCS	
FF	H070010008	Φ6*230 floor stake	8 PCS	
GG	H010020014	M6 * 10 Bolt	4 PCS	

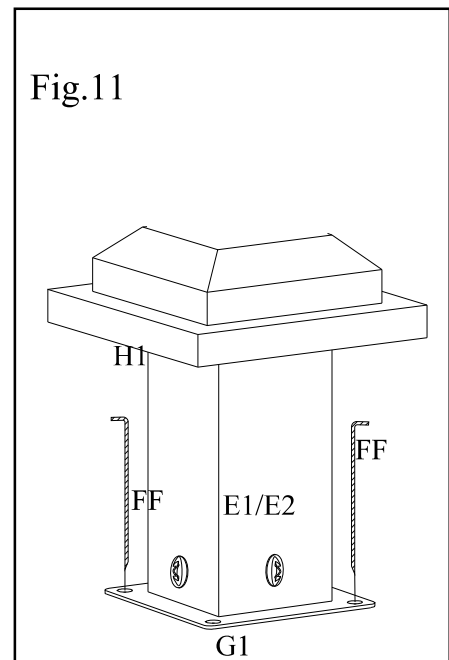
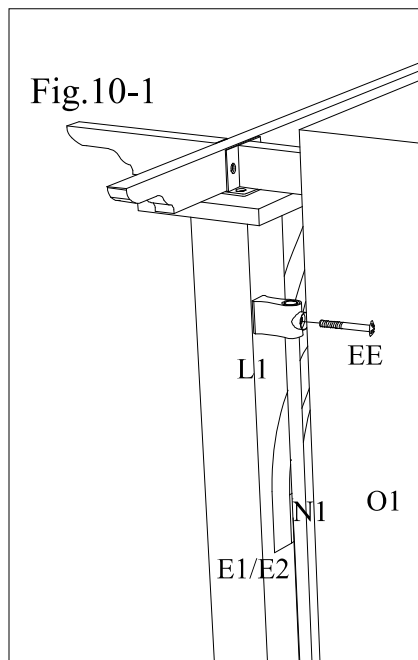
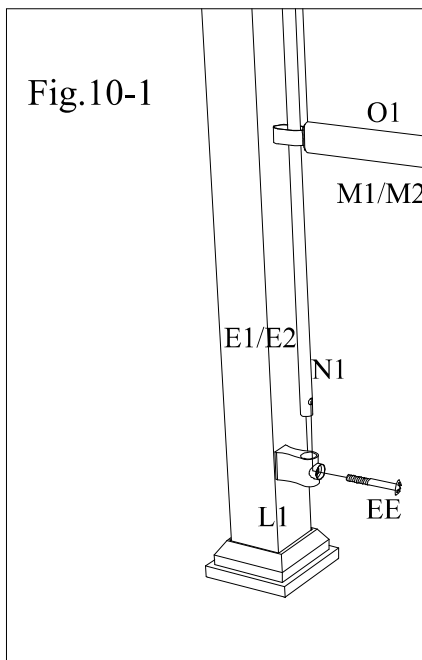
**Step.3**





**Fig.8:** Attach canopy rod 1 (M1) to canopy rod 2 (M2), fix by using bolt (GG) and washer (BB).

**Fig.9:** Lay the canopy (O1) on the tent and pass the canopy rod 1 / canopy rod 1 (M1/M2) through the canopy (O1) as shown.

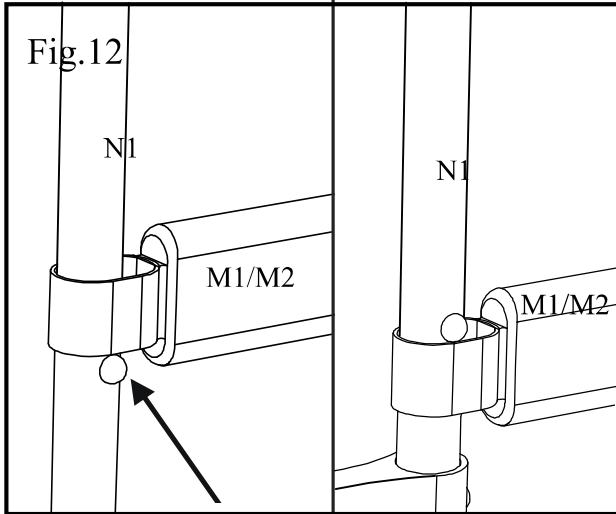


**Fig.10-1:** First, insert the canopy rod 1 / canopy rod 1 (M1/M2) into the rail beam (N1), then insert the rail beam (N1) into the rail connector (L1), finally lock rail beam (N1), connector (L1) and post (E1/E2), by using bolt (EE).

**Fig.10-2:** lock rail beam (N1), connector (L1) and post (E1/E2) by using bolt (EE).

**Fig.11:** Fix the assembled gazebo on ground by using floor stake (FF).

**Country of Origin:** China



**Fig.12:** Push the spring buckle on the Rail beam (N1) and pull the hole of Canopy rod 1(M1) and Canopy rod 2 (M2) underneath the spring buckle. So the fabric tubes will not move up.

## Care and Maintenance

- Our steel components for garden accessories and furniture are treated with rust inhibiting paint that protects it from rusting. However, due to the nature of steel, surface oxidation (rusting) will occur once these protective coatings are scratched. This is not a defect and thus not covered by the warranty.
- To minimize this condition, we recommend care when assembling & handling the product to prevent scratching the paint. Should any scratching or damage occur, we recommend immediate touch-up with rust inhibiting paint.
- Surface rust can also be easily removed with a very light application of common cooking oil. If surface oxidation (rusting) occurs and if no measure is taken to prevent this, the oxidation may start dripping on to deck or patio and caused damaging stains, which may be difficult to remove. This can be prevented if the above-mentioned measures are taken to keep the product from oxidizing.
- Use damp cloth to wipe off the stains as quickly as possible.
- If necessary, wash with a mild solution of soap and water; rinse thoroughly and dry completely.
- Periodically check and ensure that all bolts are well-tighten during use

## Limited Manufacturer's Warranty

Sunjoy Group warrants to the original purchaser that this item is free from defects in workmanship and materials for a period of **1 year** from the date of purchase, provided the item was factory-sealed at the time of purchase and is maintained with care and used only for personal, residential purposes. Should any manufacturing defect arise within this warranty period, Sunjoy Group will replace (at our option) any defective merchandise or parts upon proof of purchase; however, transportation and delivery costs, as well as payments to a third party for assembly or disassembly of the item, remain the responsibility of the purchaser. A purchaser of an "open box," previously-returned, or "clearance" item, as well as original purchasers outside of the warranty period, may obtain replacement parts from Sunjoy Group for products in current production, at nominal cost.

## Exclusions:

Items used for commercial, contract, or other non-residential purposes, or items damaged due to acts of nature, vandalism, misuse, or improper assembly are not covered. Corrosion or rusting of hardware is not covered. Proof of purchase (dated register receipt) is required for warranty claims. Warranty is to the original purchaser and is non-transferable. Any replacement of warranted items will be in the original style and color, or a similar style and color if the original is unavailable or has been discontinued. As some states do not allow exclusions or limitations on an implied warranty, the above exclusions and limitations may not apply. This warranty gives you specific rights, and you may also have other rights, which vary from state to state.