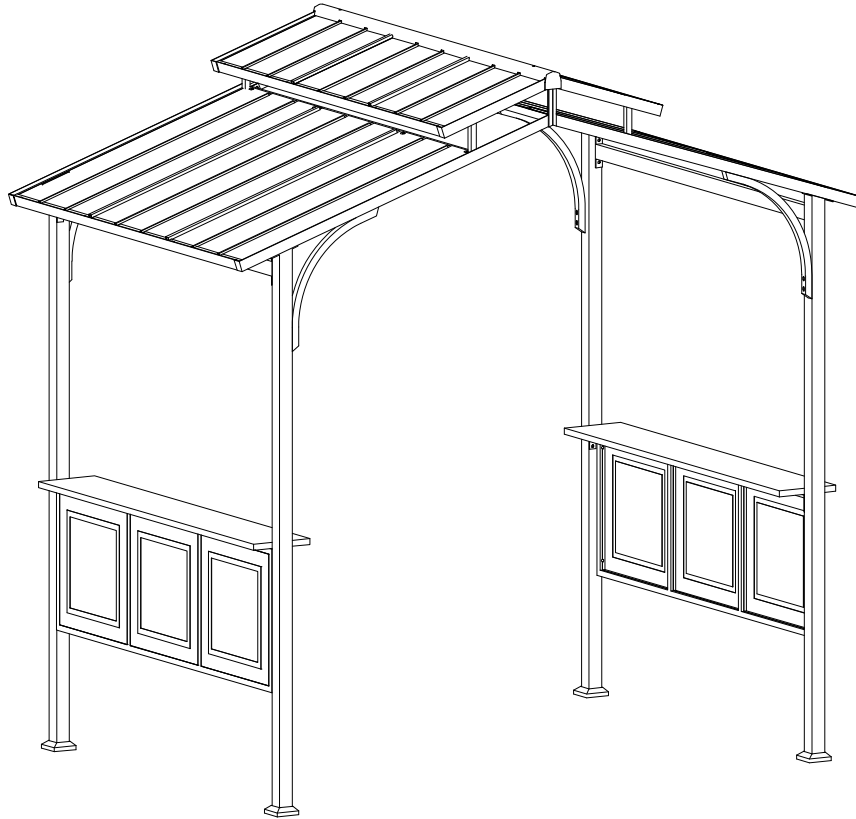


ITEM NO.: A104001300



WE HAVE YOU IN MIND, LET US SERVE YOU!

Questions? Issues?

CONTACT US

24 hours / 7 days a week



www.sunjoyonline.com



customer.care@sunjoygroup.com

Toll Free 

1-(866)-578-6569

Safety Information

- Two or four people are required for this assembly.
- Some parts may contain sharp edges. Wear protective gloves.
- When assembling and using this product, basic safety precautions should always be followed to reduce the risk of personal injury and damage to equipment. Please read all instructions before assembly and usage.



CAUTION: Do not climb on top of the gazebo. Falling off the gazebo can result in serious injury.

NOTICE: For outdoor use



DANGER: This unit is heavy! Do not assemble this item alone.



WARNING: Do not leave the gazebo where there is a risk of high wind, as possible damage will occur to the structure.



WARNING: Keep all flame and heat sources away from this gazebo fabric. This Gazebo is made with fabric that meets CPAI-84 specifications for flame resistance. It is not fire proof. The fabric will burn if left in continuous contact with any flame source. The application of any foreign substance to the gazebo fabric may render the flame-resistant properties ineffective.

Warranty: 1 Year

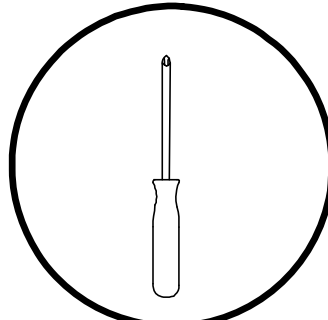
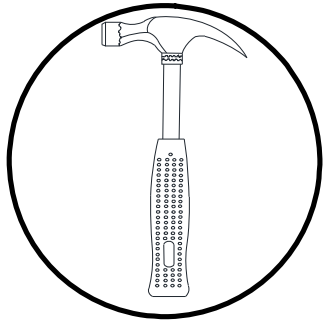
WHAT IS COVER?

The limited warranty is extended to the original purchaser and applies to material and manufacturer's defect provided the item is maintained with care and used only for personal, residential purposes.

IMPORTANT

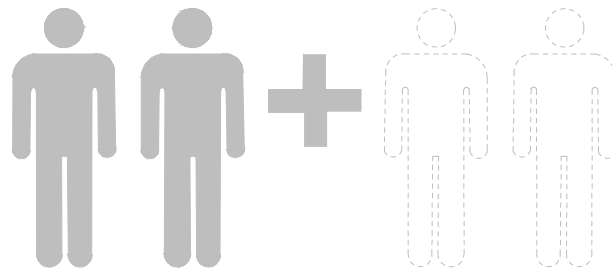
KEEP THIS INSTRUCTION MANUAL FOR FUTURE REFERENCE.

TOOLS NEEDED

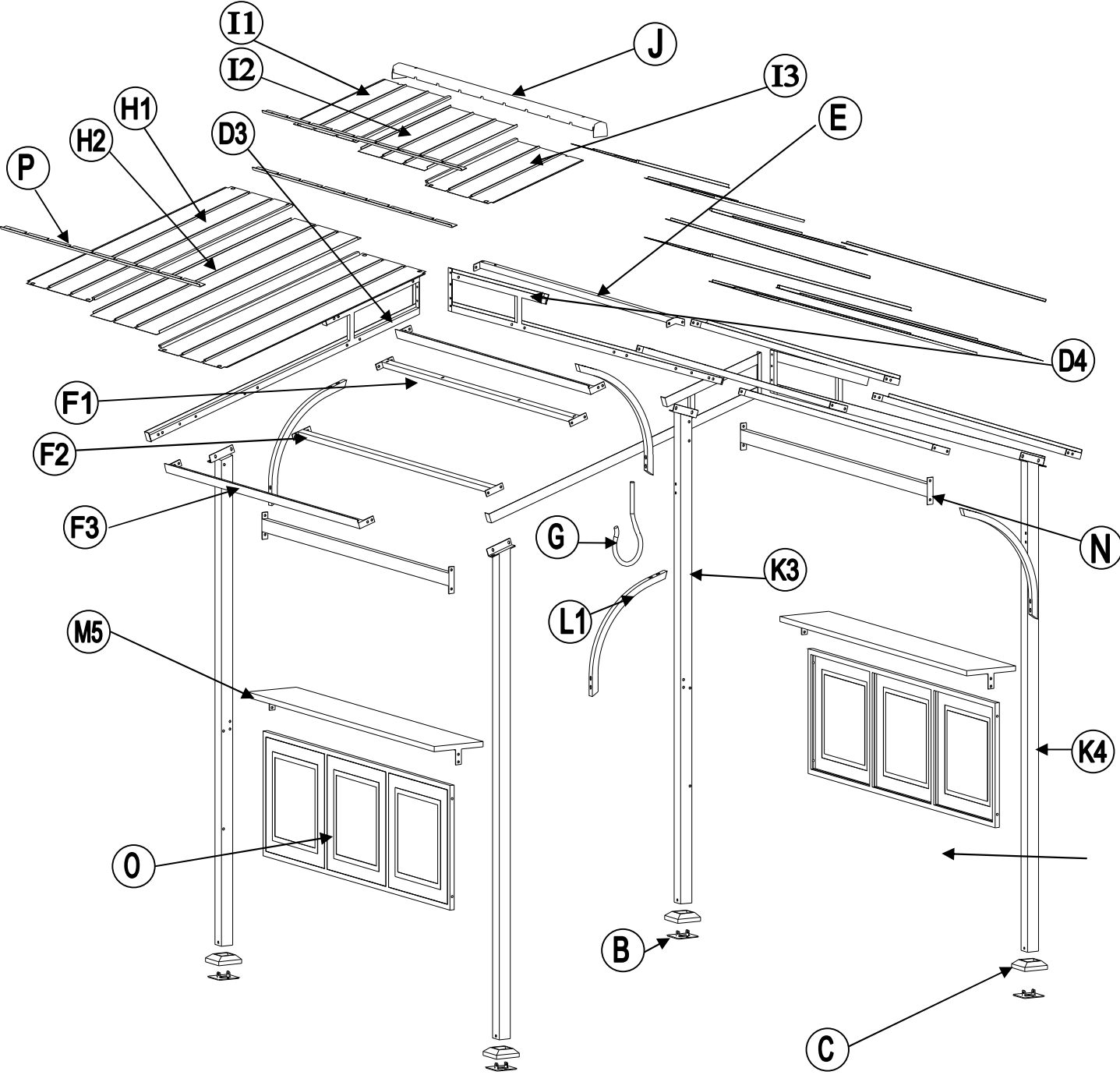




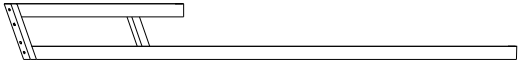
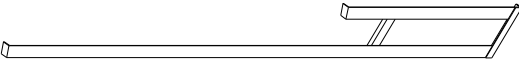
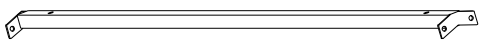

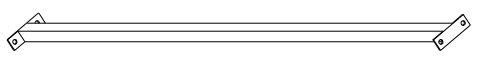

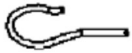
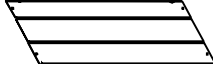
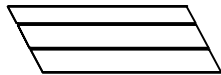
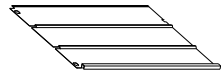
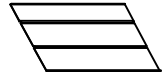
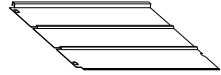
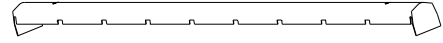
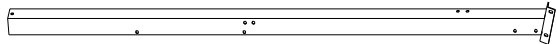
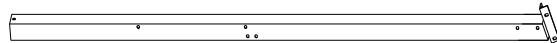
IMPORTANT

How many people needed for the installation work


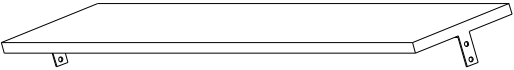
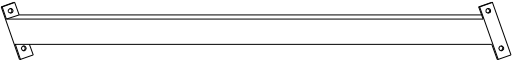
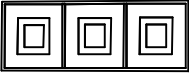
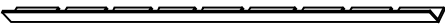


EXPLODED DRAWING



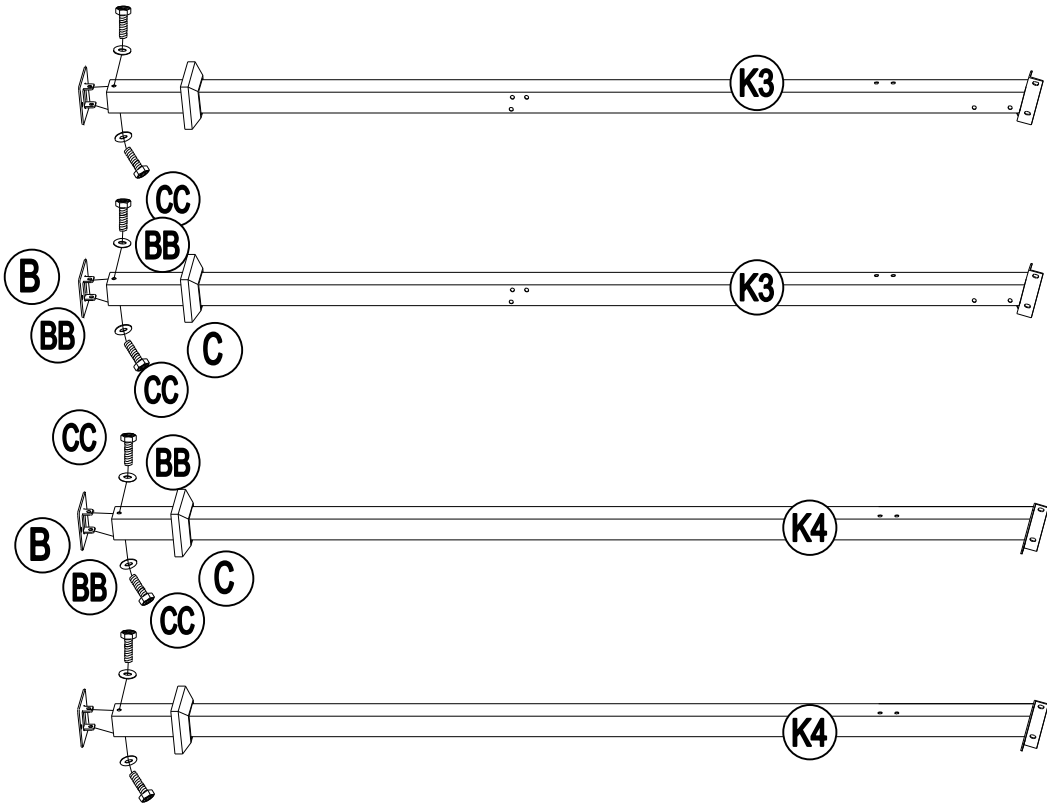
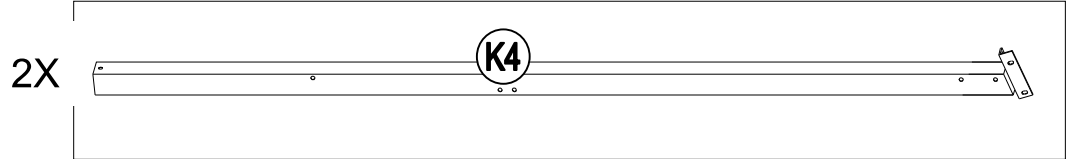
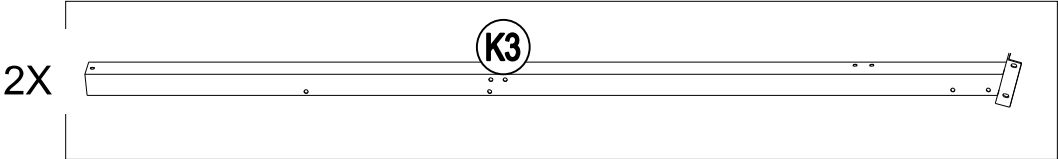
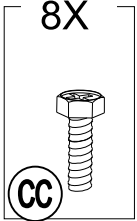
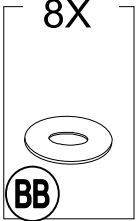
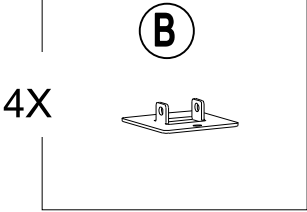
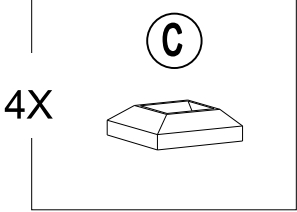
PARTS LIST				
Label	Part Number	Description	Qty	Image of Part
B	P000100334	Base	4	
C	P006100173	Base Cover	4	
D3	P000601384	Support Bar 1	2	
D4	P000601385	Support Bar 2	2	
E	P000400916	Top Bar 1	1	
F1	P000601386	Top Beam 1	2	
F2	P000601387	Top Beam 2	2	
F3	P000601388	Top Beam 3	4	
G	P005800001	Hook	1	
H1	P000700609	Roof Cladding 1	4	
H2	P000700610	Roof Cladding 2	2	
I1	P000700606	Roof Cladding 1	2	
I2	P000700607	Roof Cladding 2	2	
I3	P000700608	Roof Cladding 3	2	
J	P000800242	Roof Cap	1	
K3	P000200473	Post 1	2	
K4	P000200474	Post 2	2	

Country of Origin: China

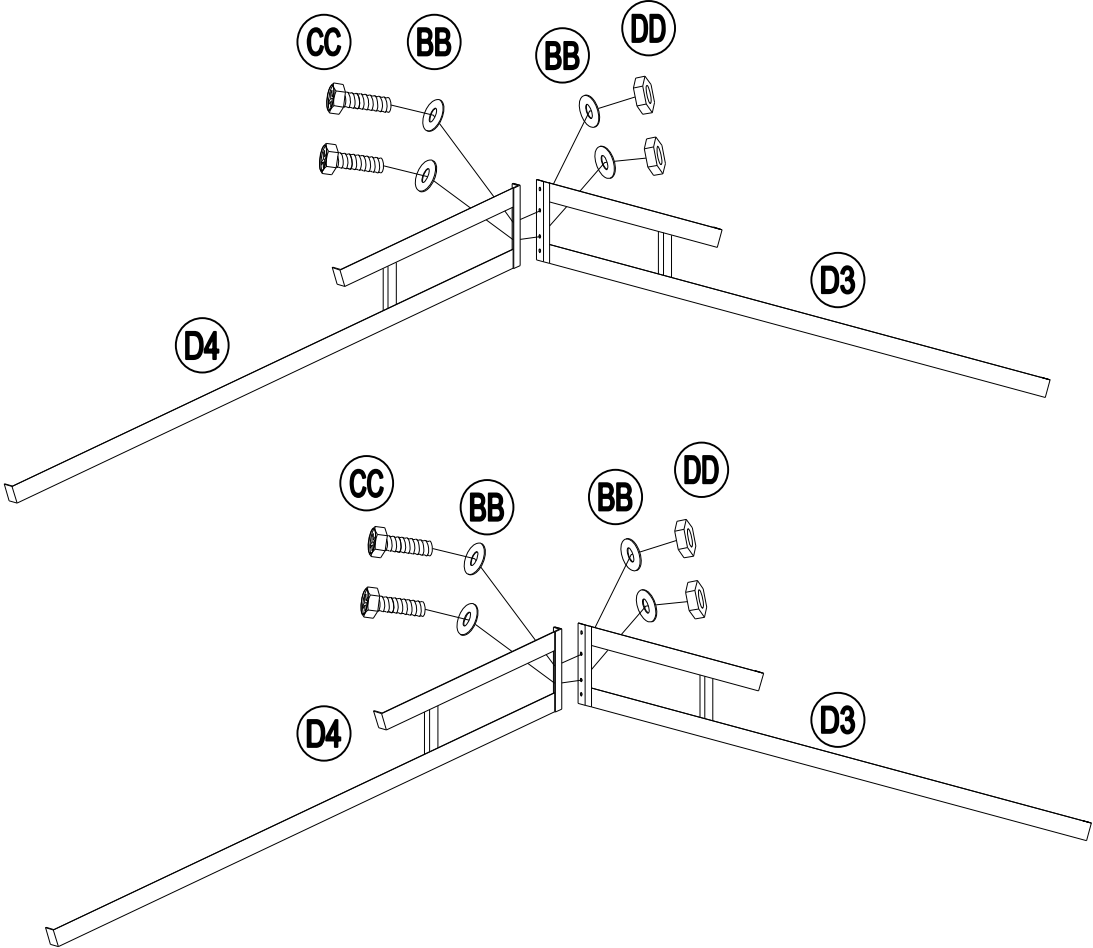
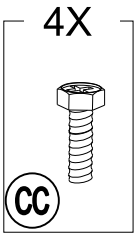
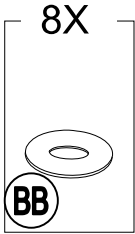
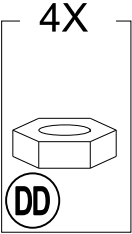
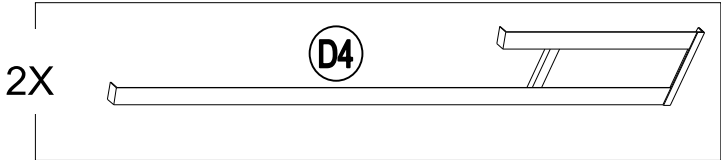
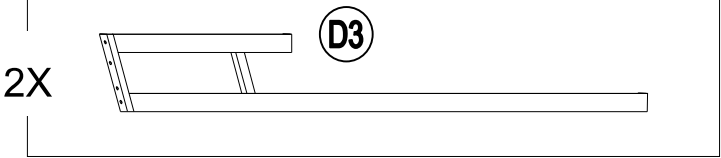
L1	P005000421	Slanting Support	4	
M5	P002100334	Countertop	2	
N	P000400917	Frame	2	
O	P006200013	Screen	2	
P	P002200217	Press Panel	6	

HARDWARE PACK					
Label	Part Number	Description	Qty	Add	Image of Part
BB	H050010057	M6 washer	146	7	
CC	H010020011	M6 x 15 Bolt	116	6	
DD	H040010004	Nut M6	4	1	
EE	H010020022	M6 x 40 Bolt	24	1	
FF	H010110028	M6 x40 Screw t	2	1	
GG	H070010003	Φ8 x180 Stake	8	0	
Z	H090010002	M6 Wrench	2	0	

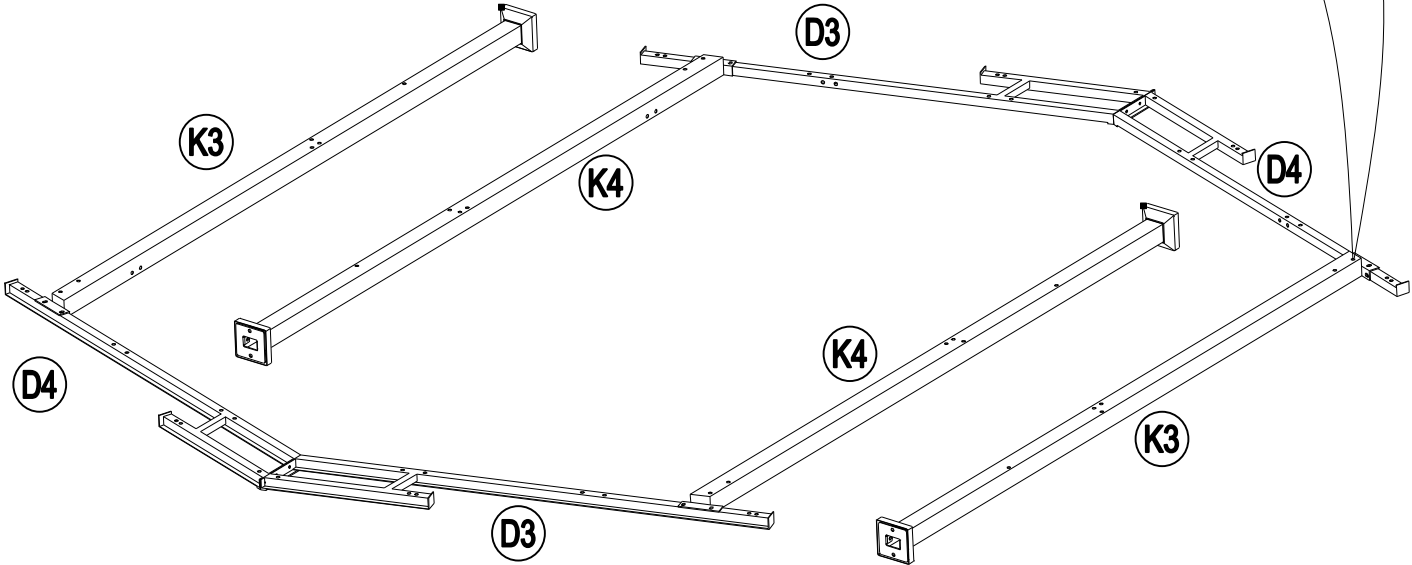
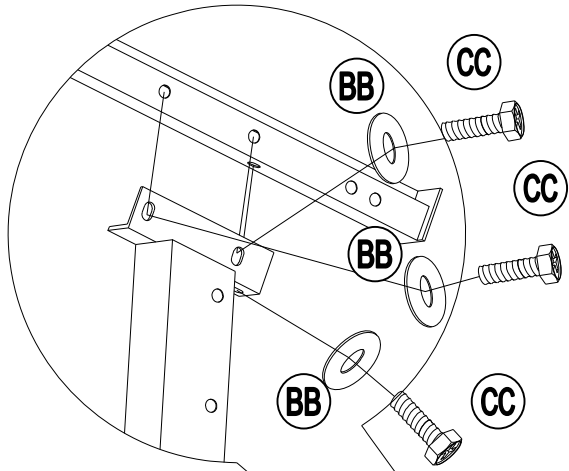
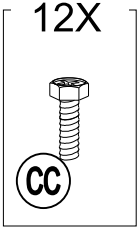
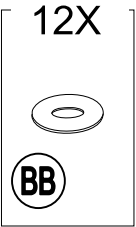
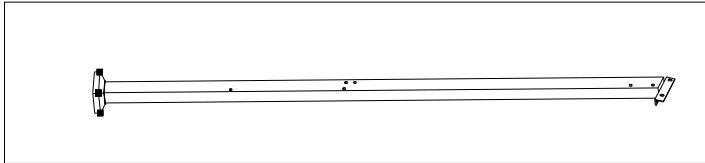
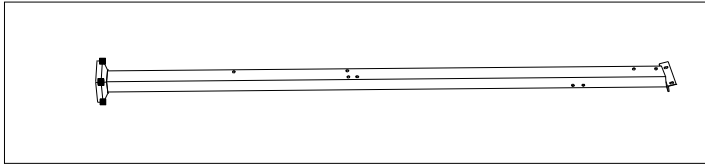
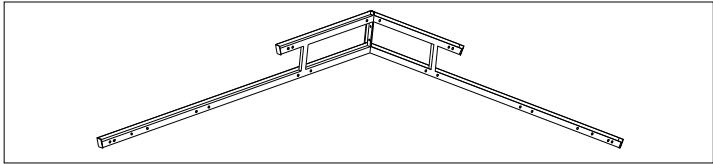
STEP 1



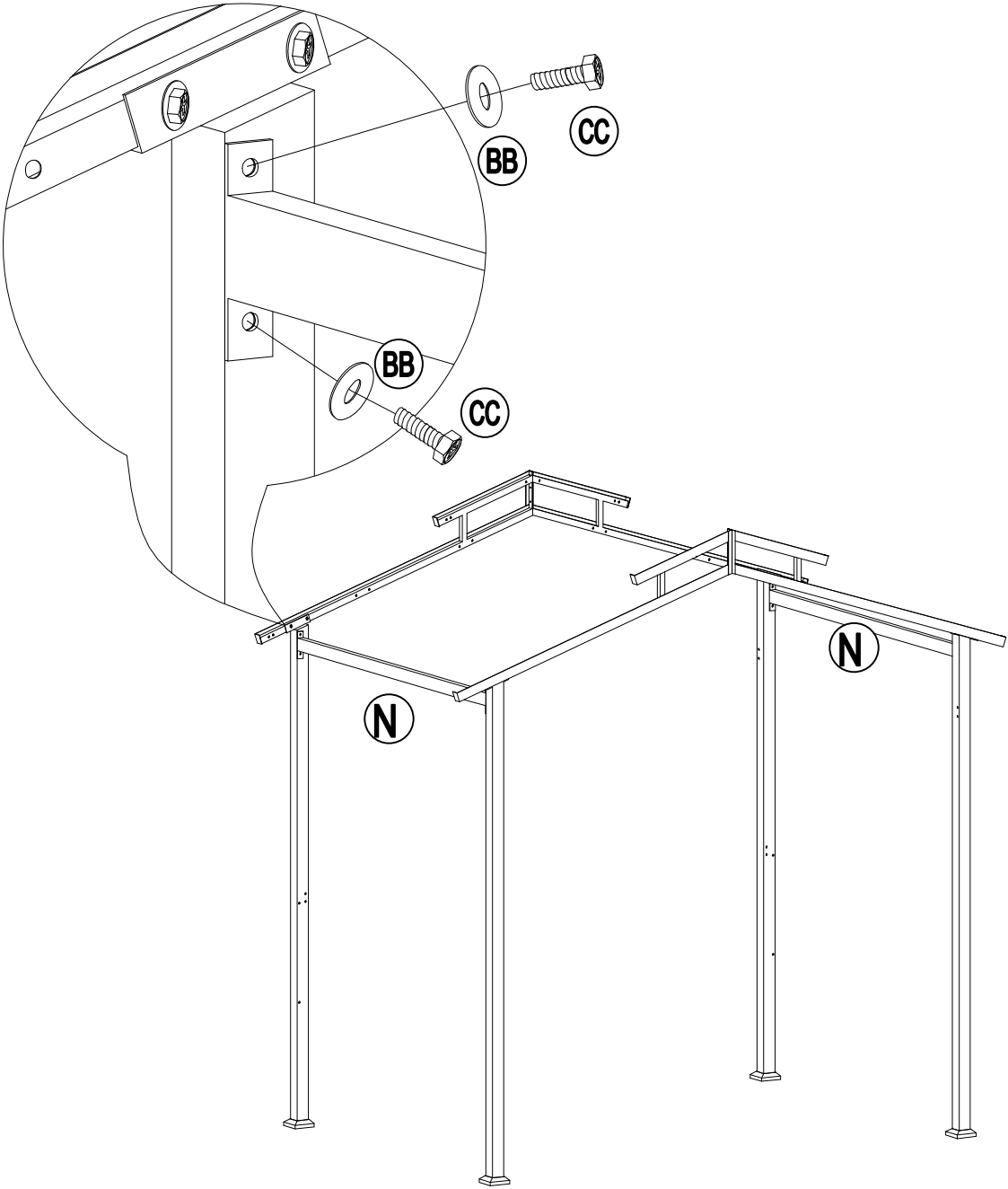
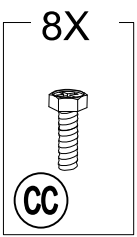
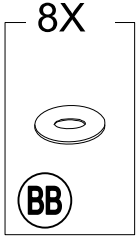
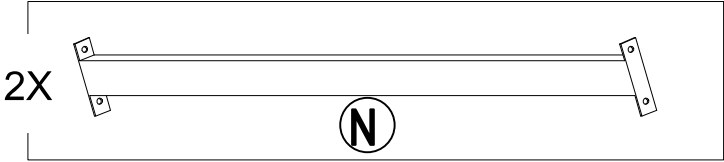
STEP 2



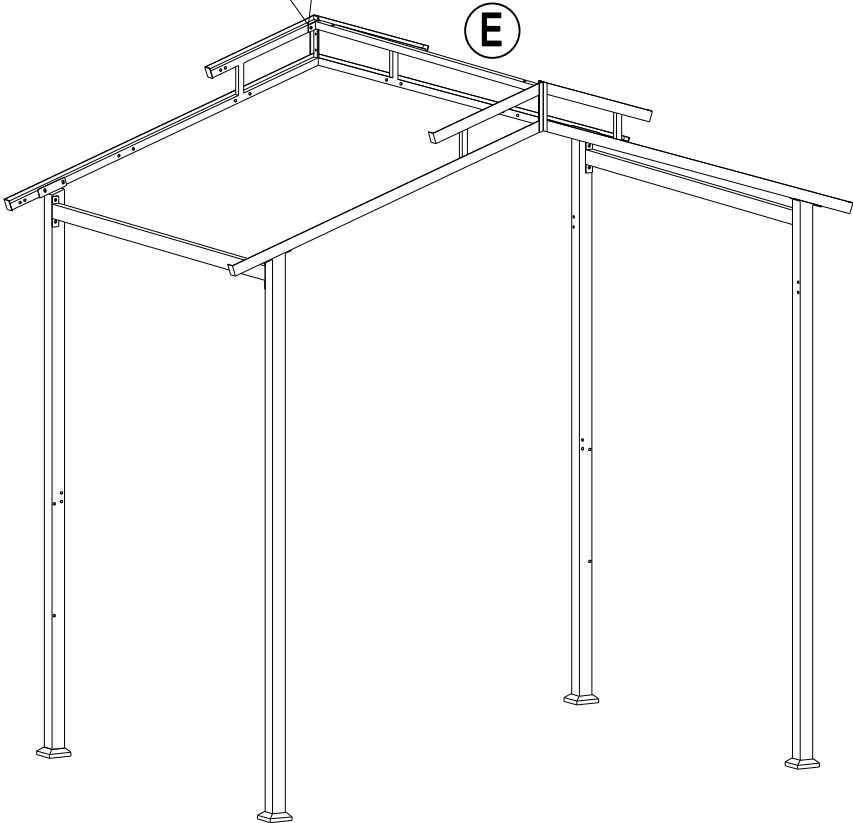
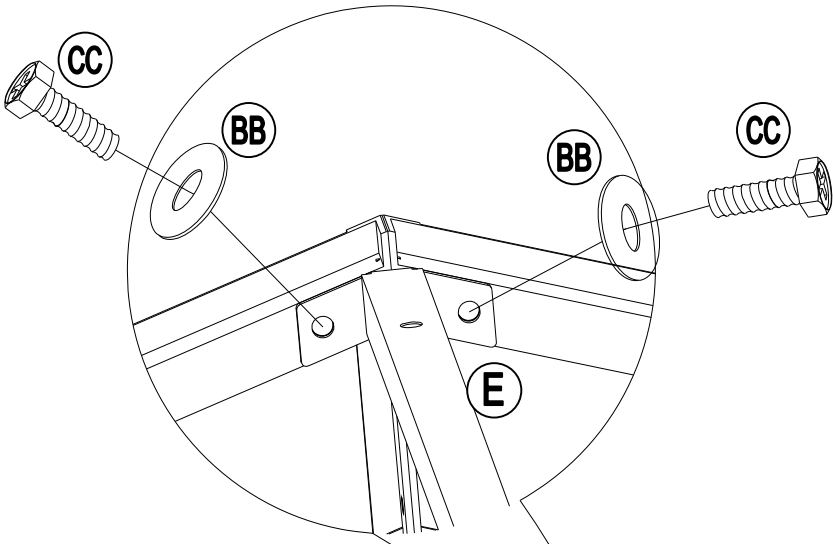
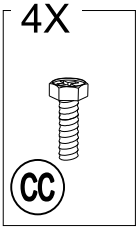
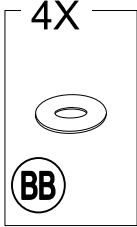
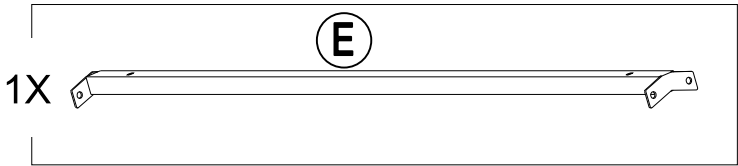
STEP 3



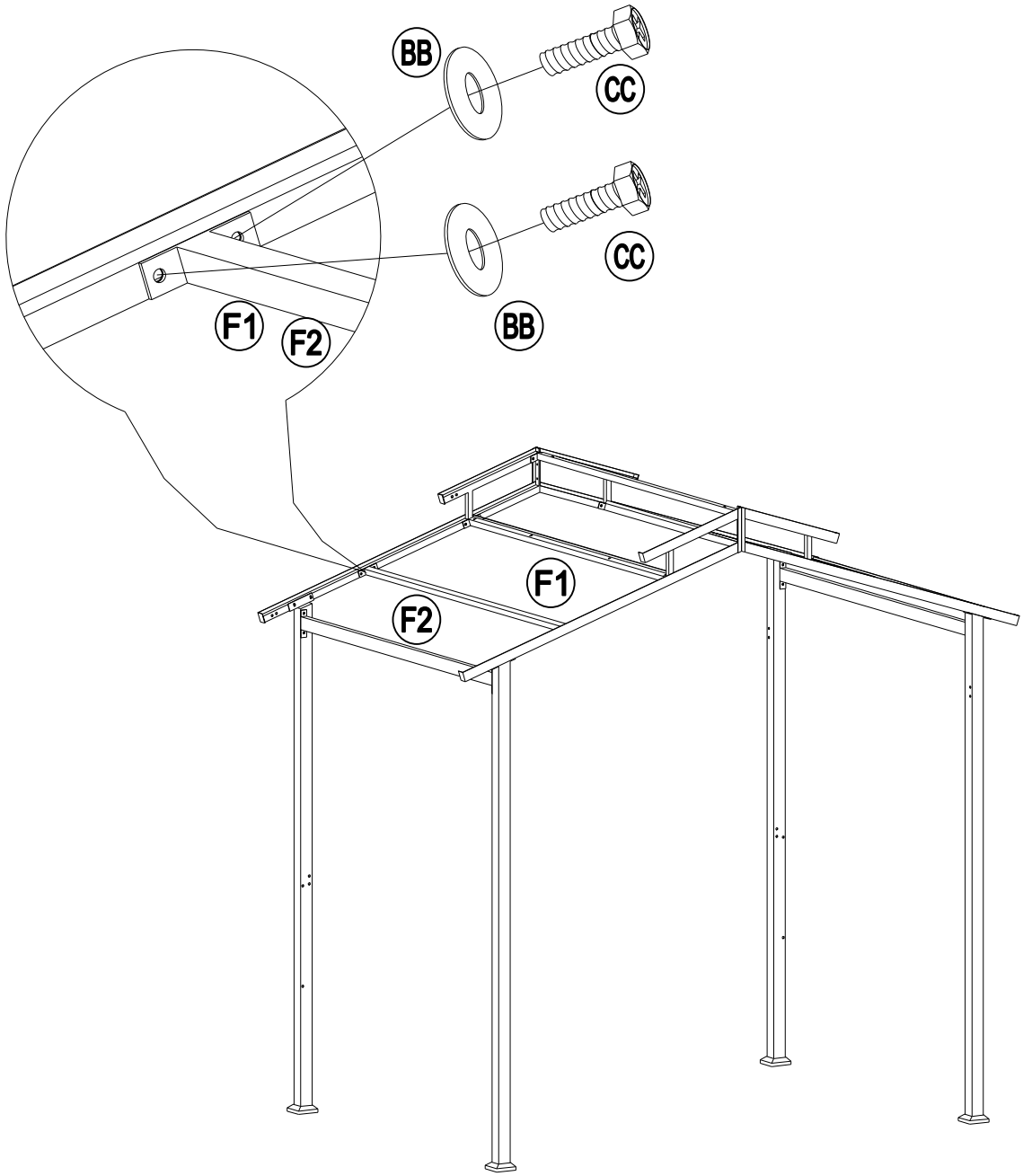
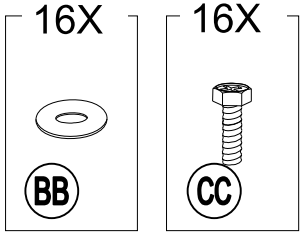
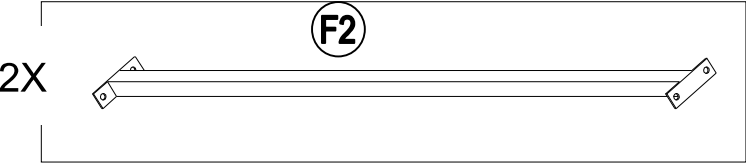
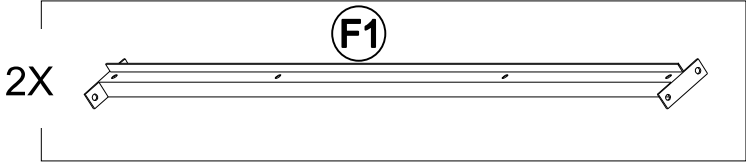
STEP 4



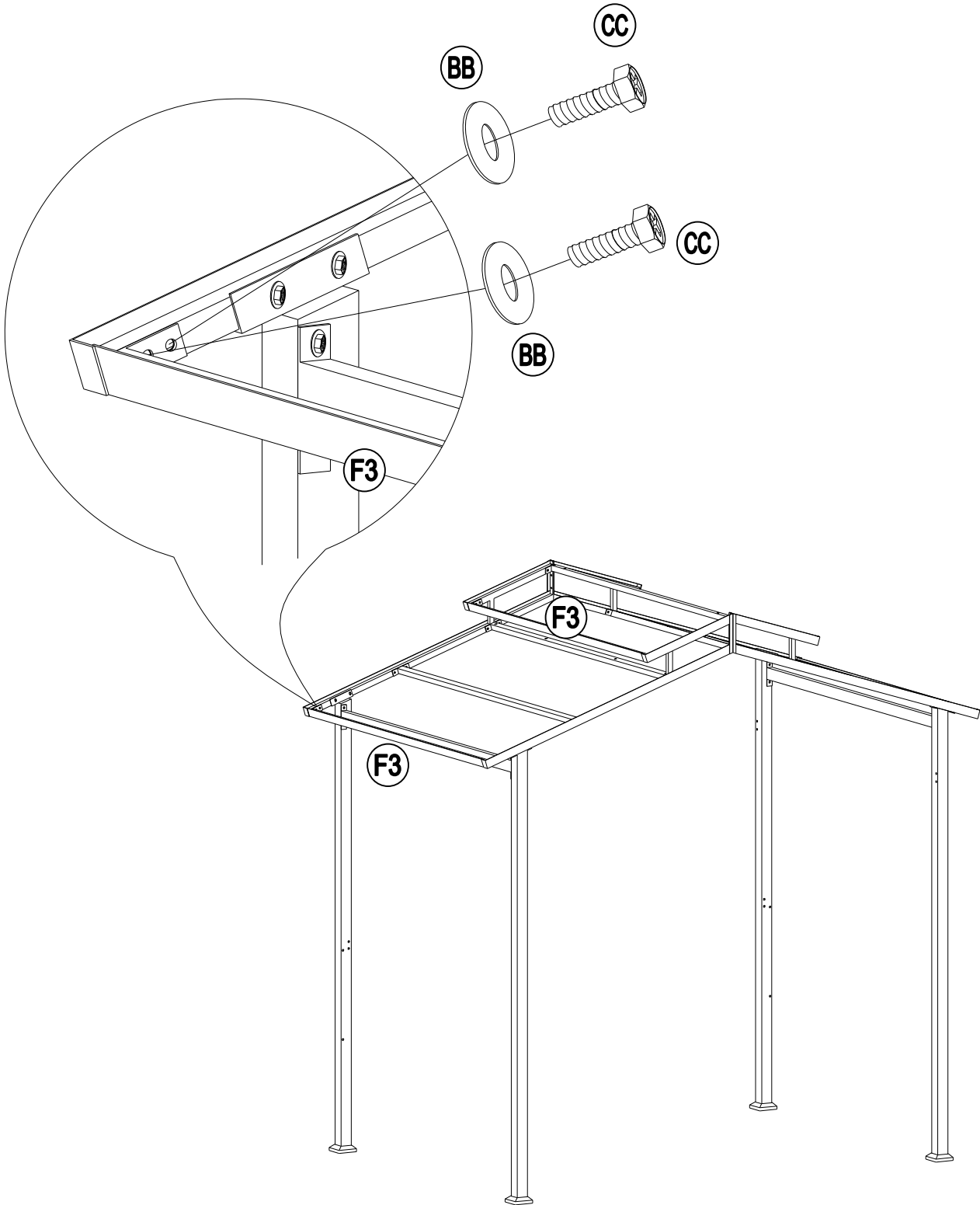
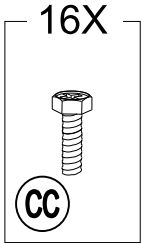
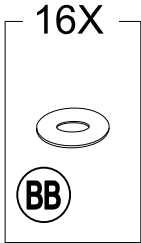
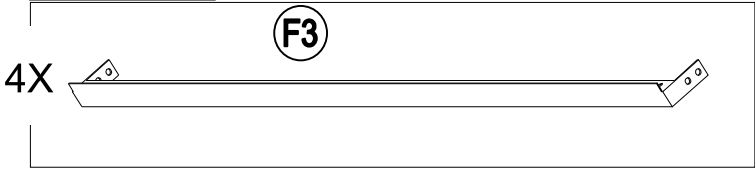
STEP 5



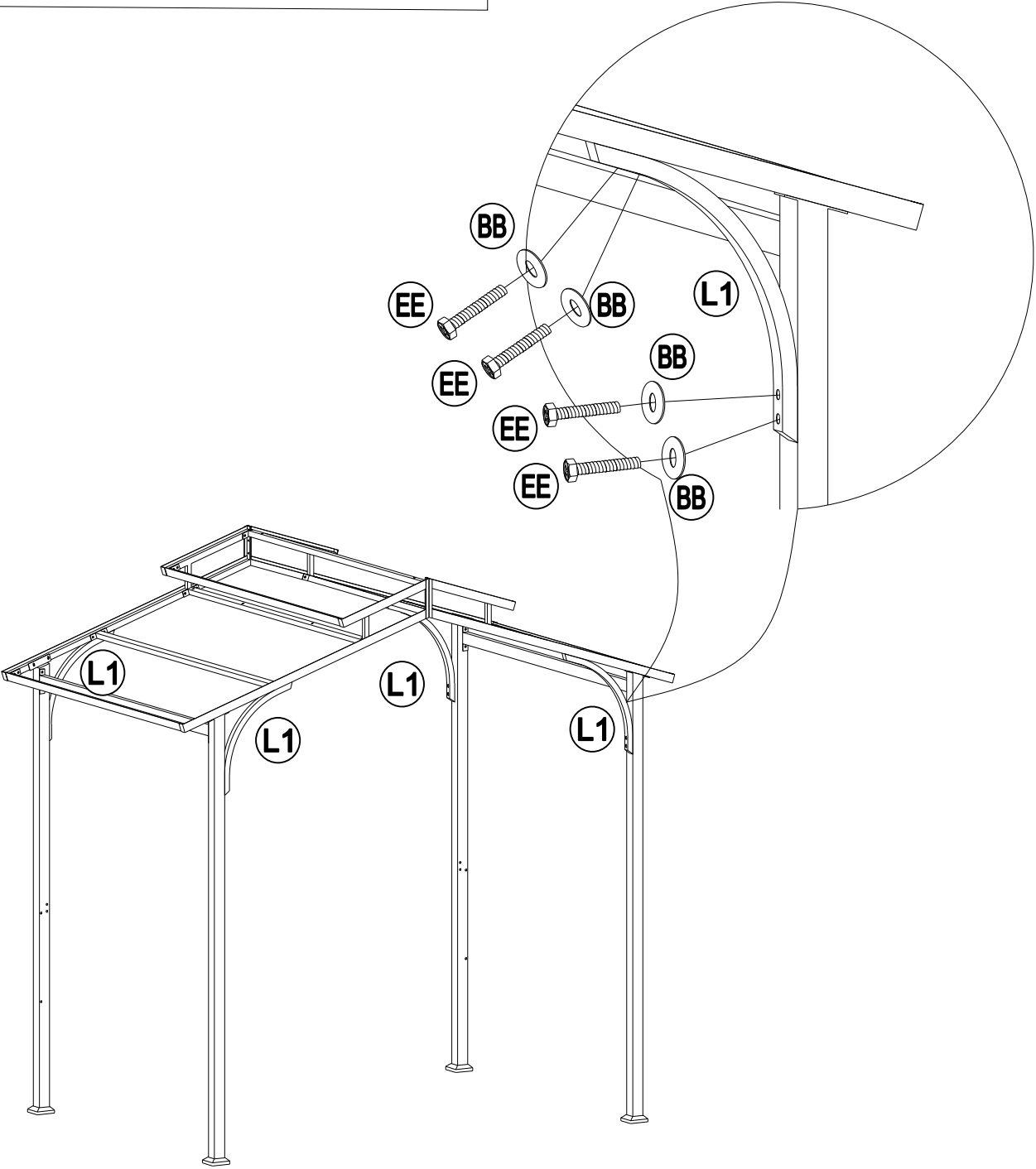
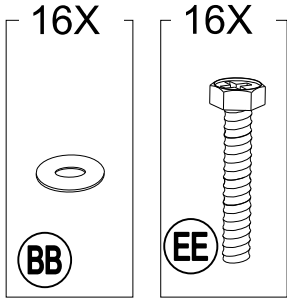
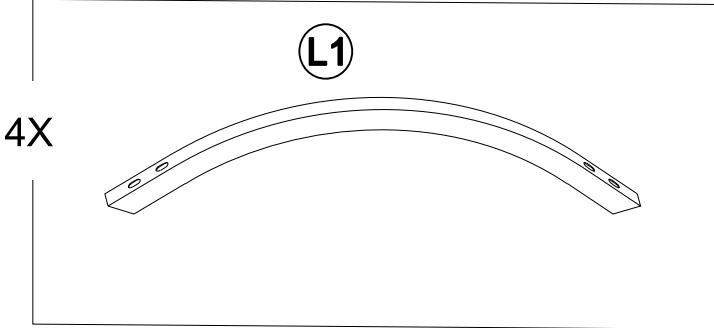
STEP 6



STEP 7

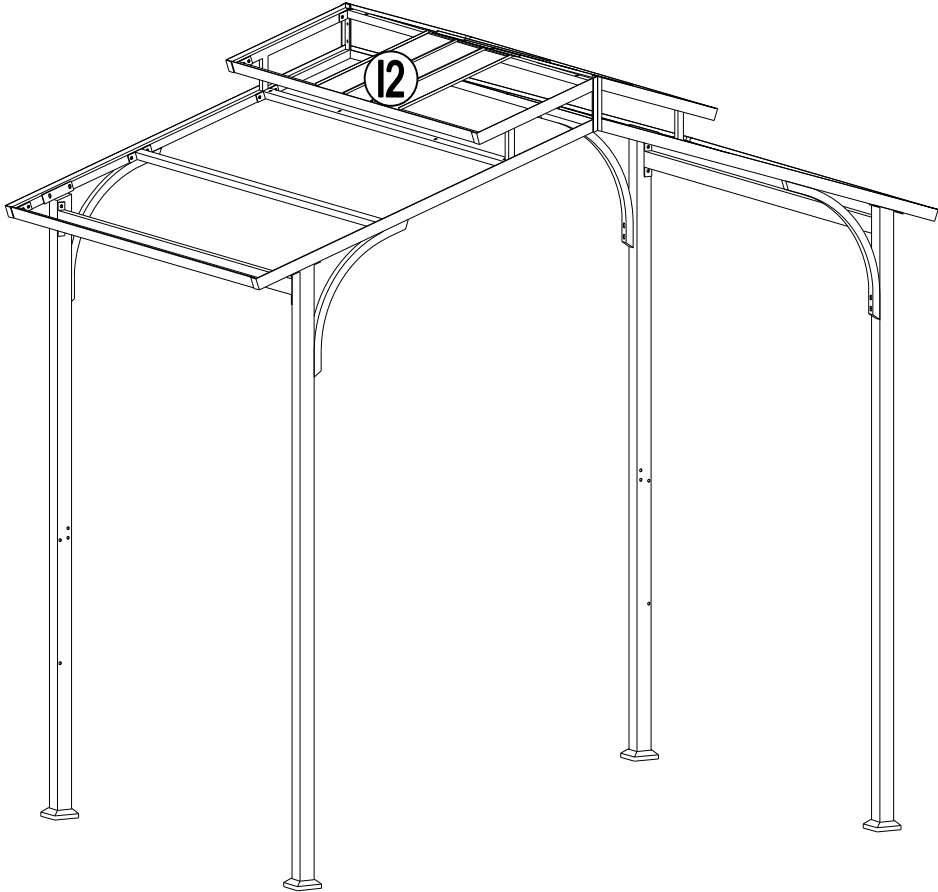
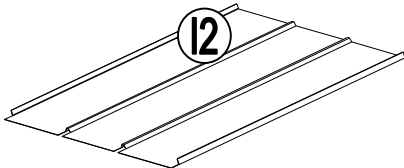


STEP 8

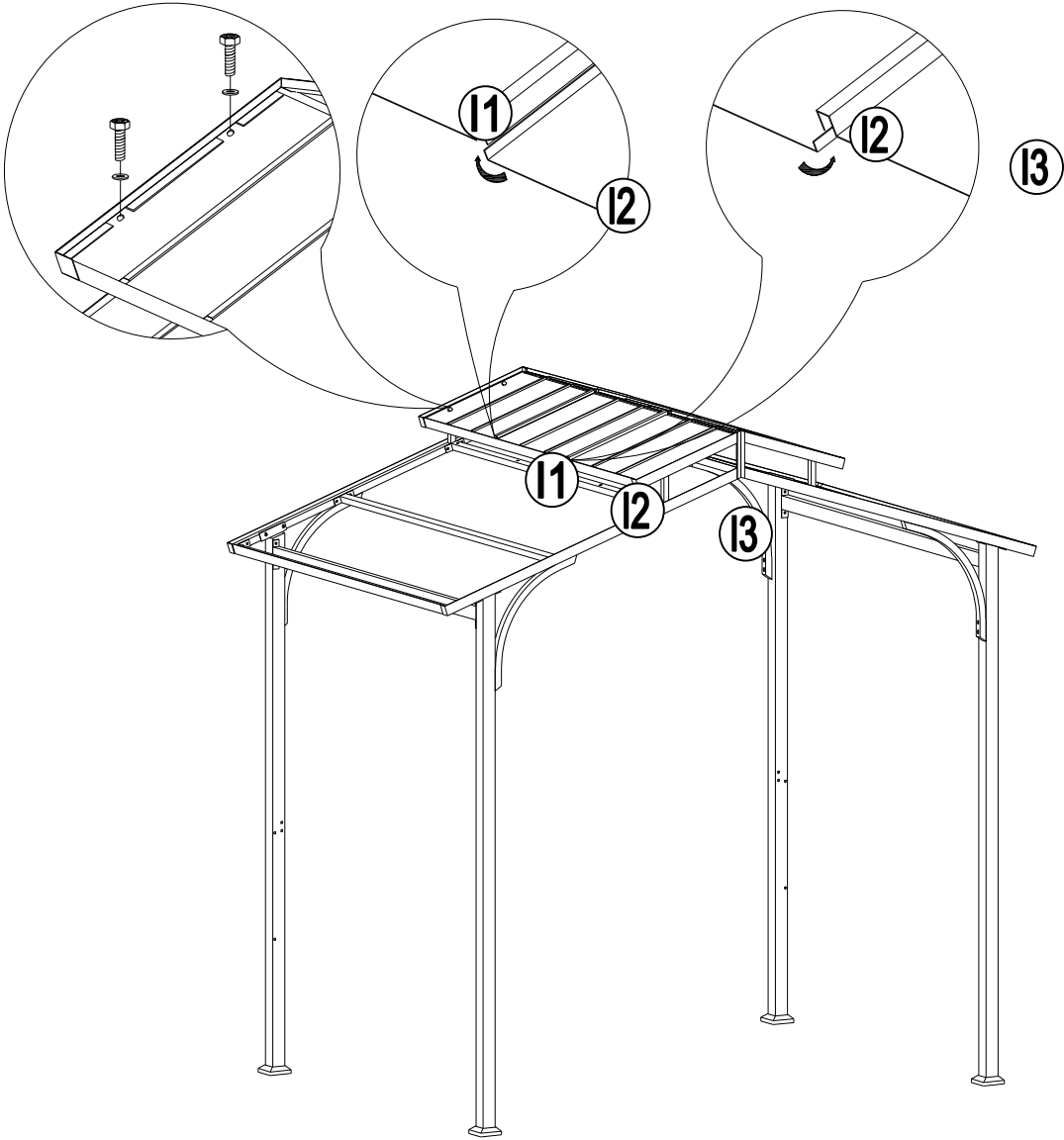
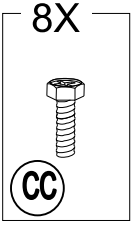
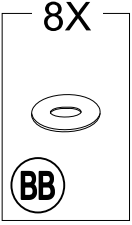
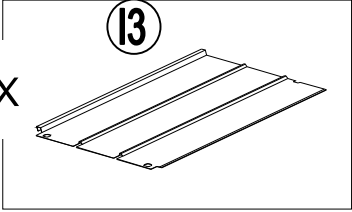
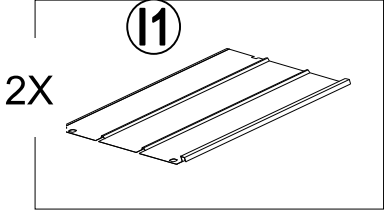


STEP 9

2X

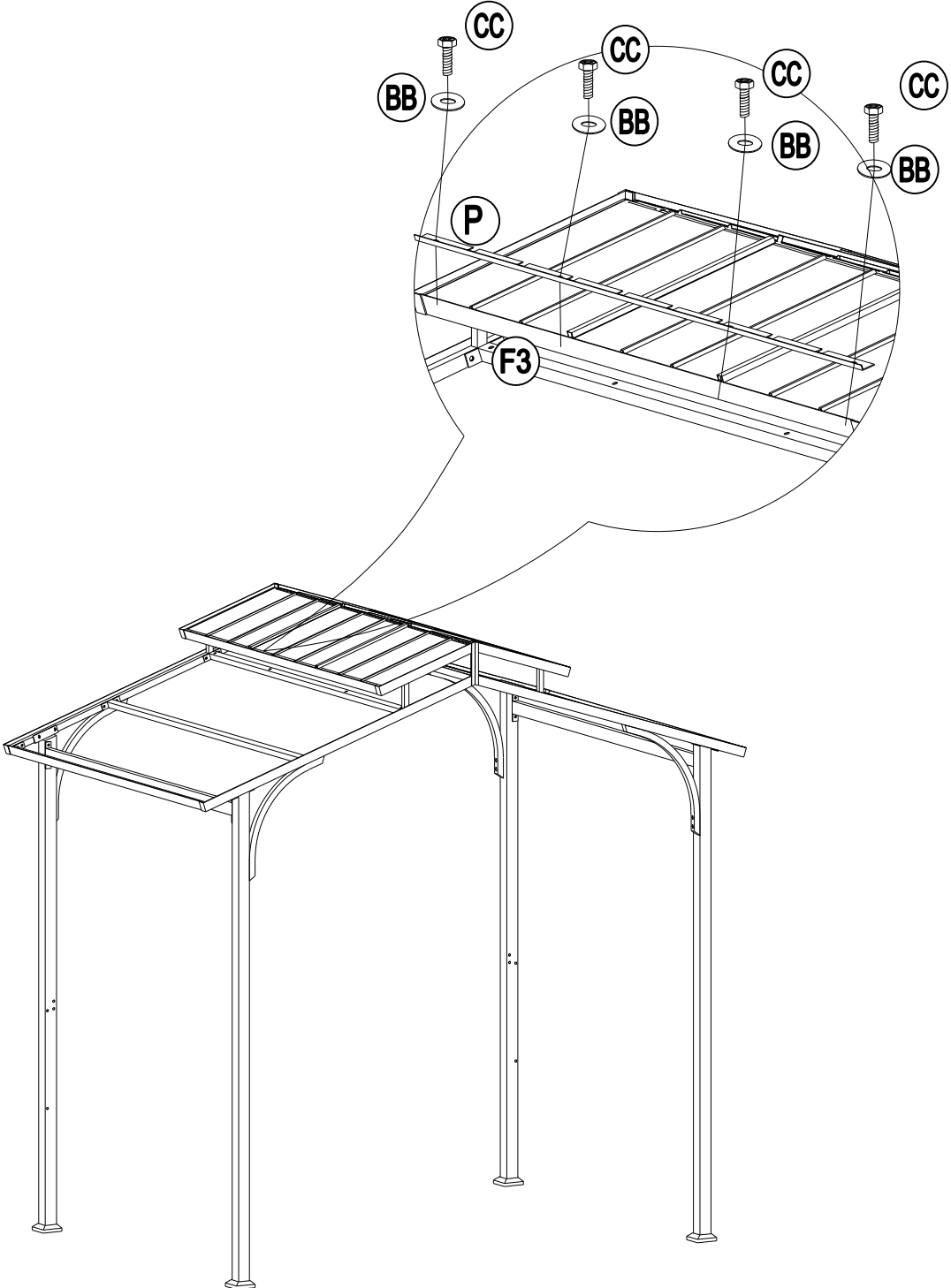
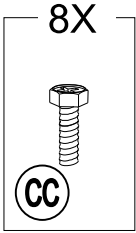
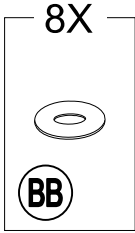
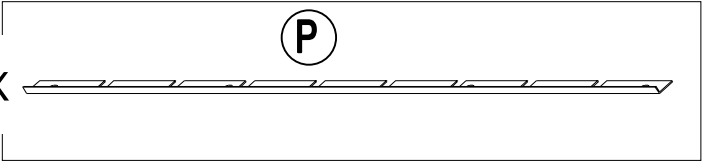


STEP 10

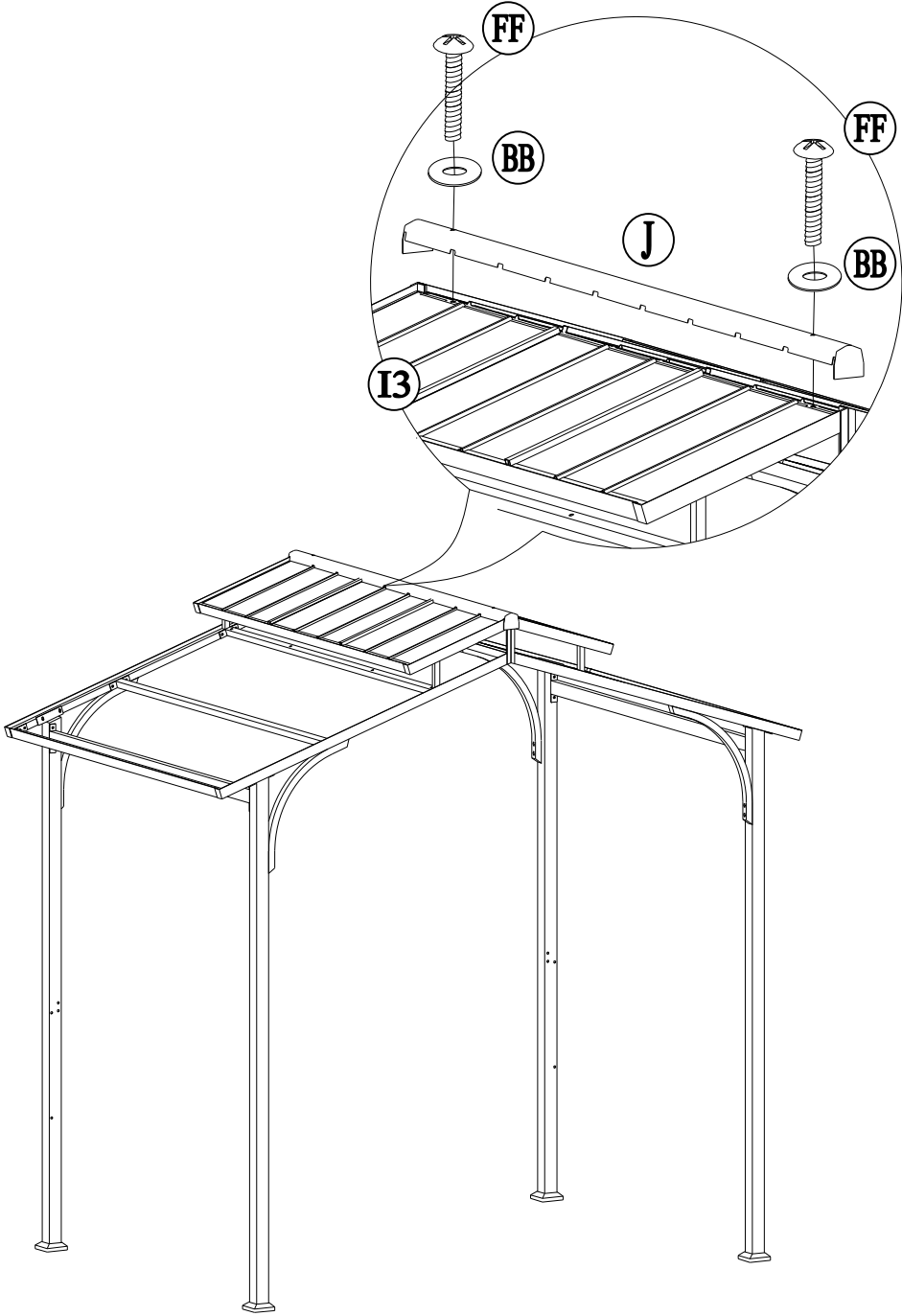
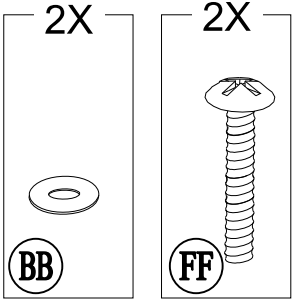
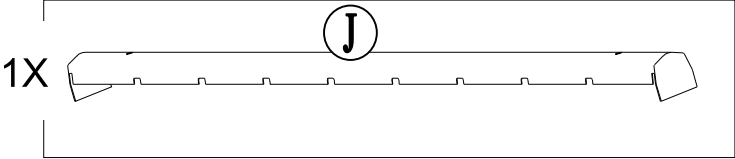


STEP 11

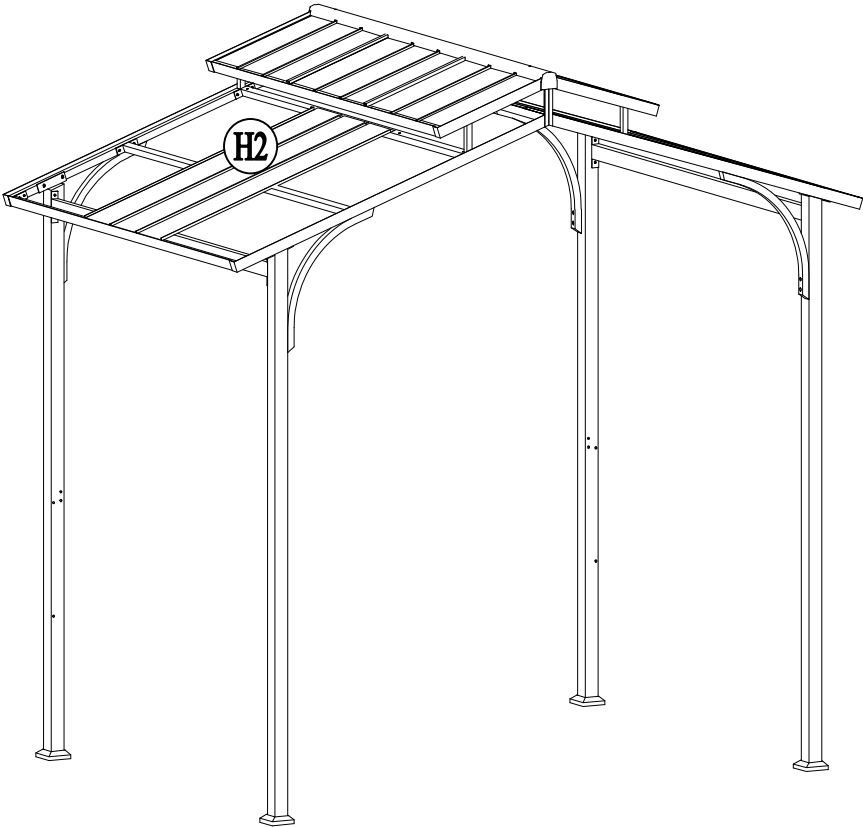
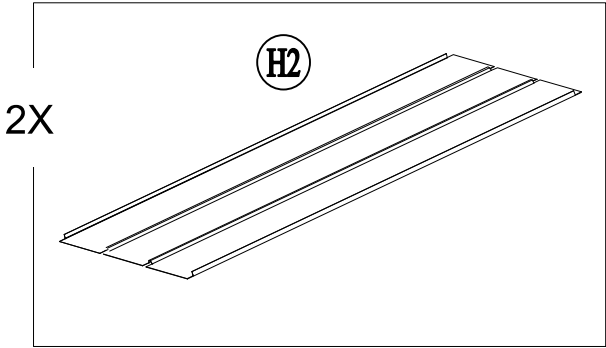
2X



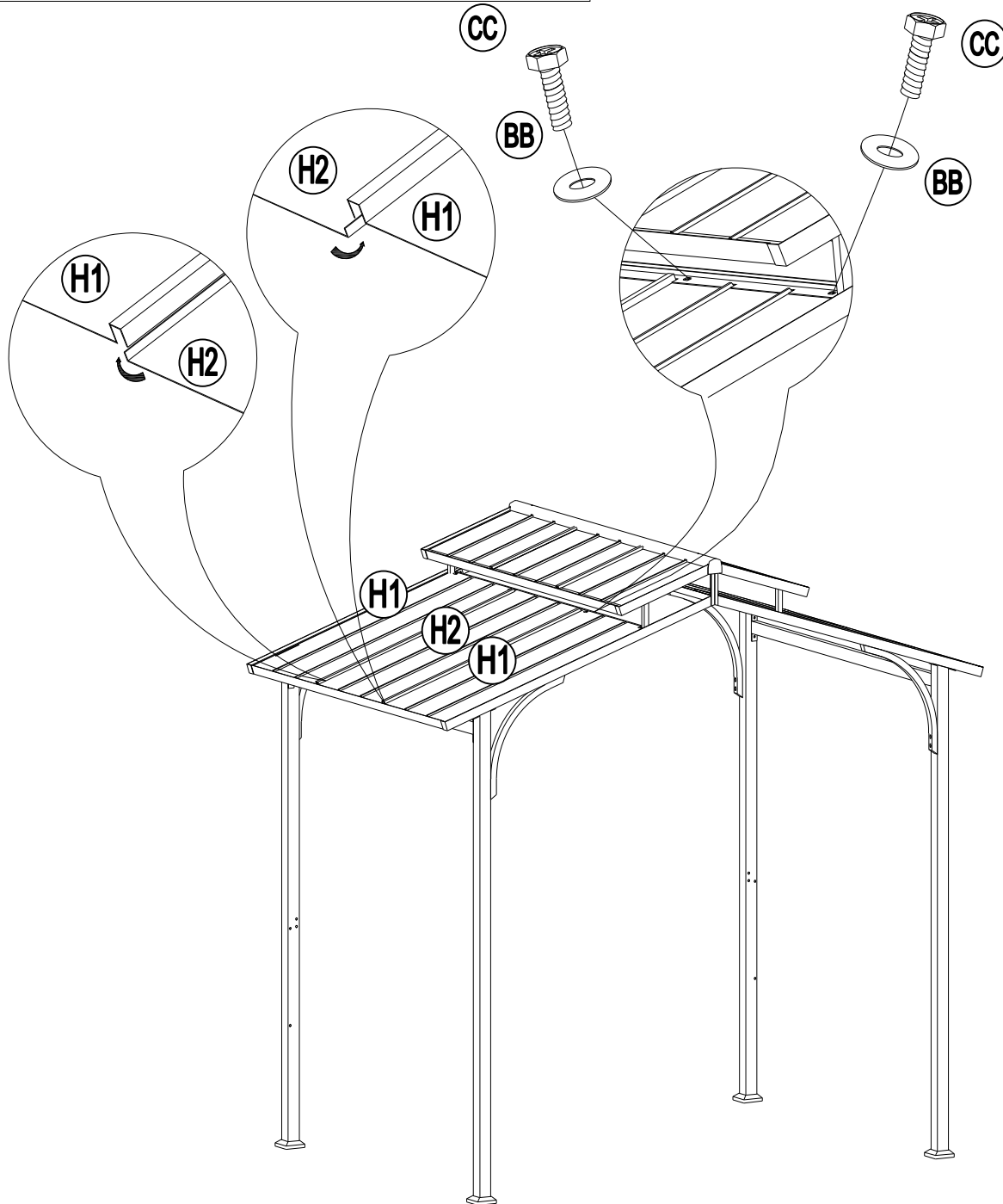
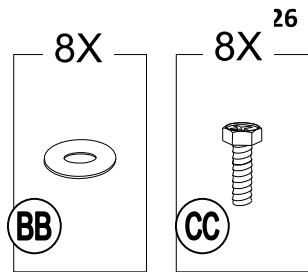
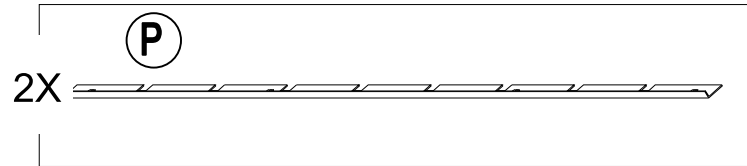
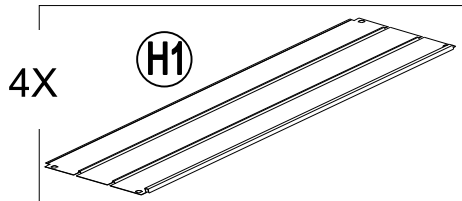
STEP 12



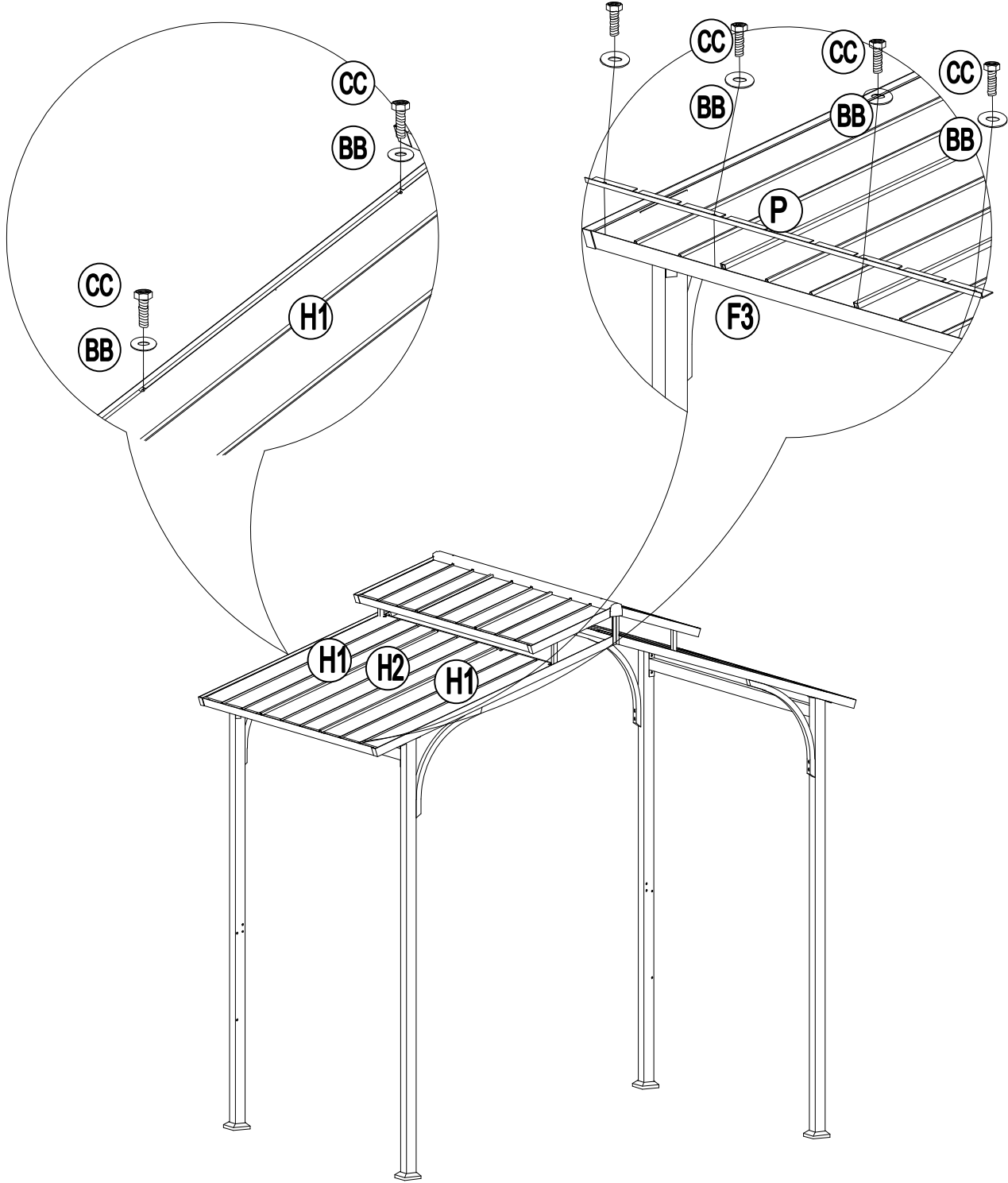
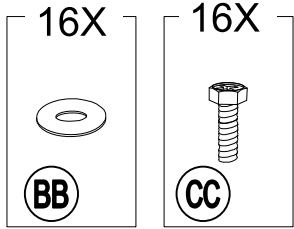
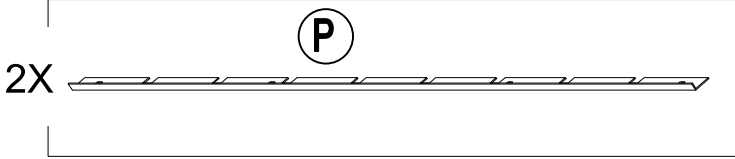
STEP 13



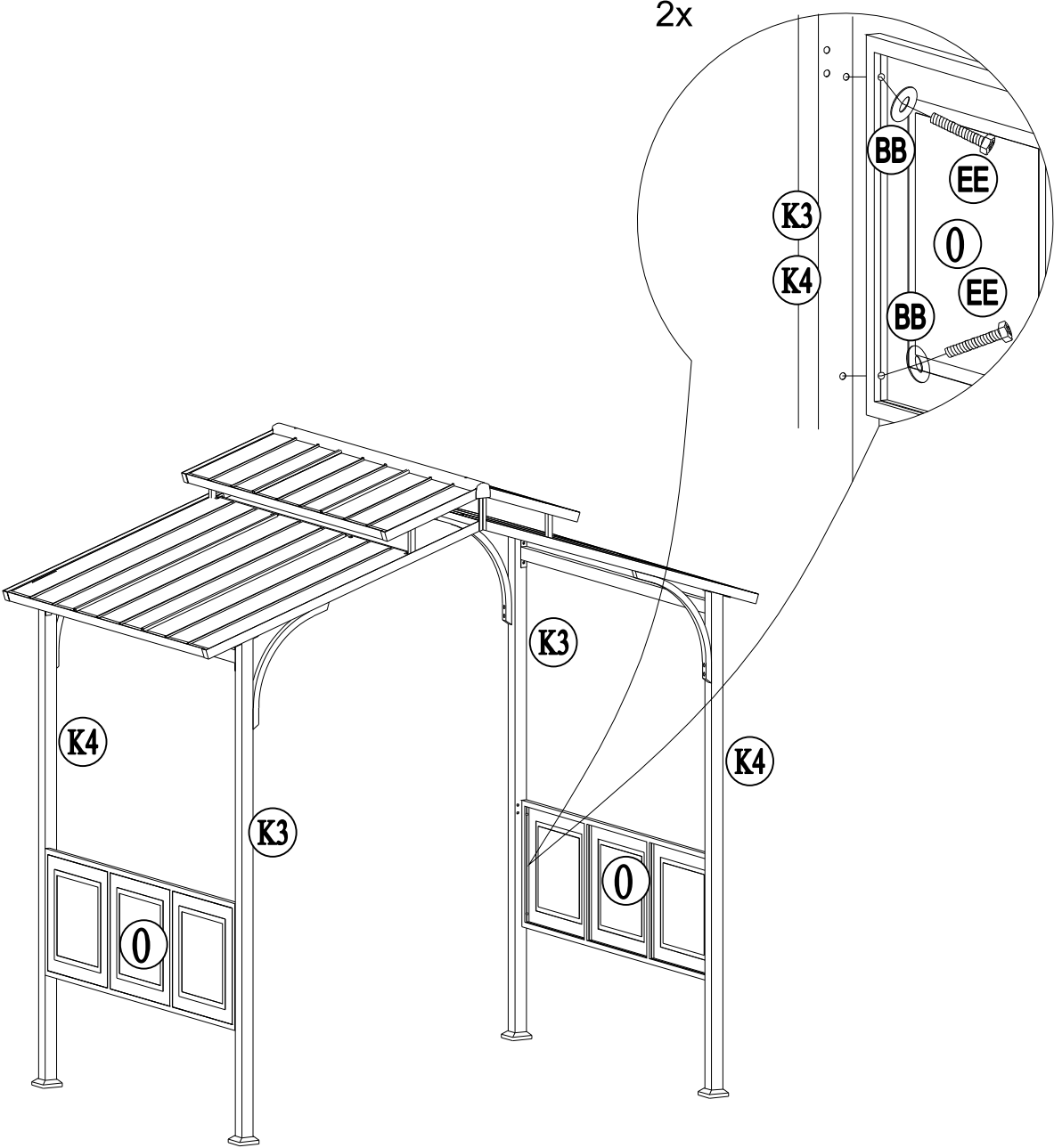
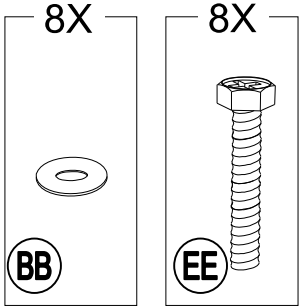
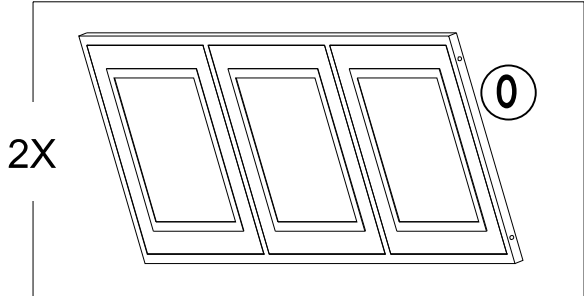
STEP 14



STEP 15

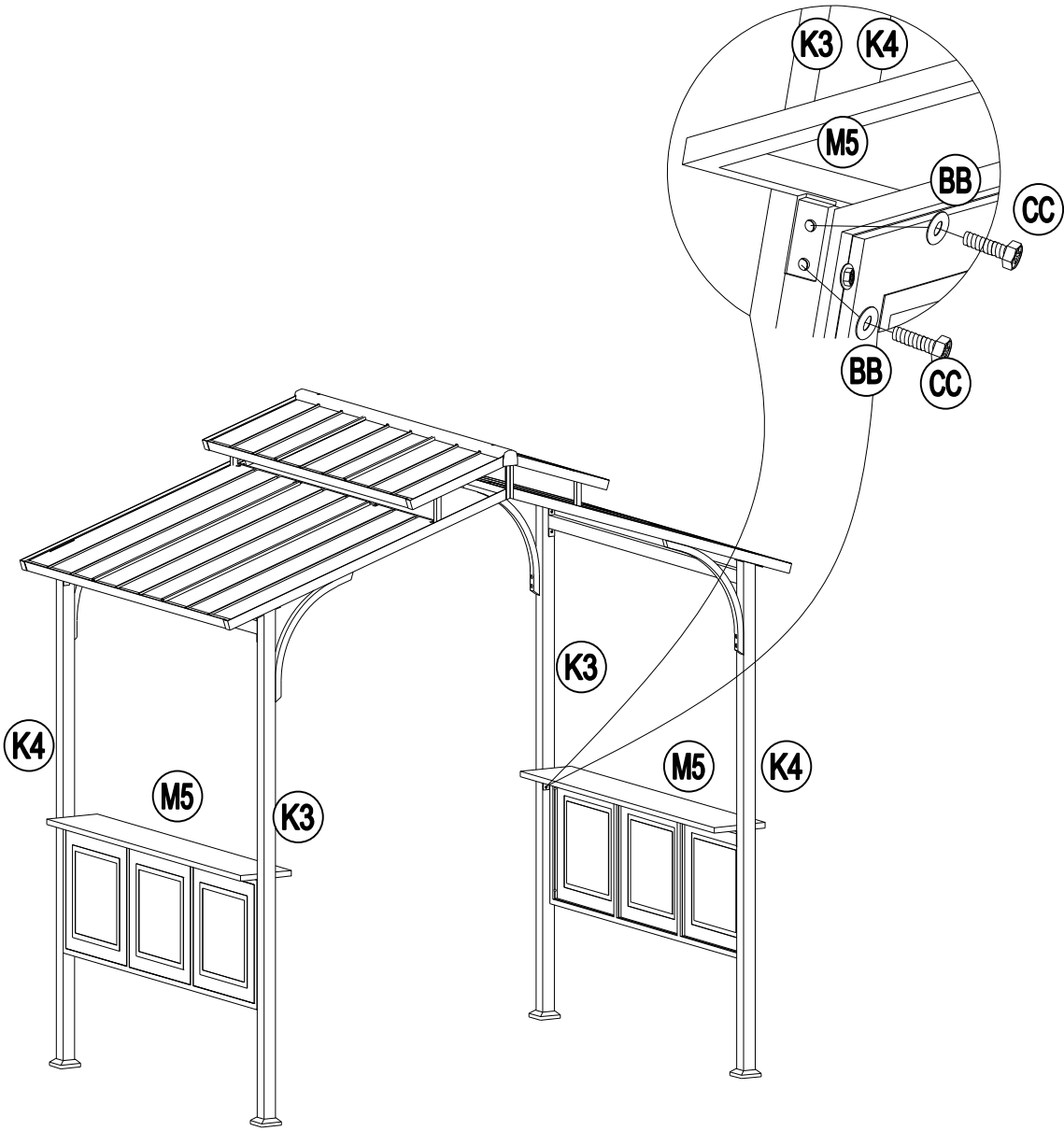
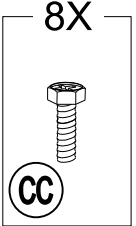
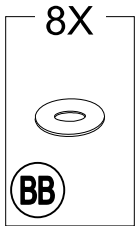
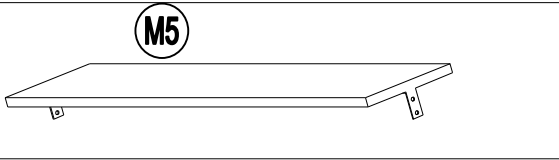


STEP 16

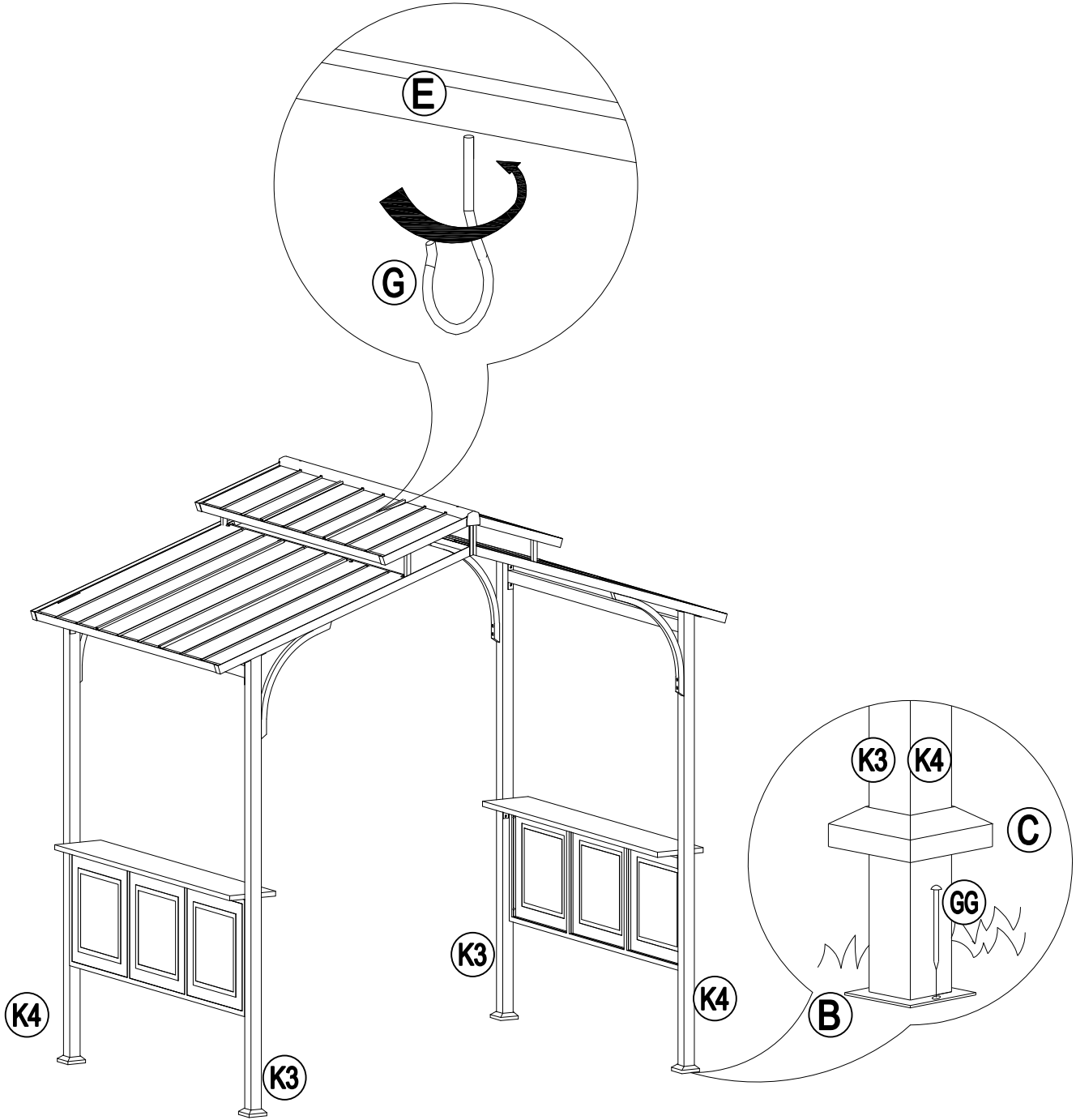
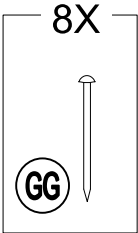
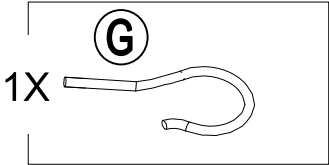


STEP 17

2X



STEP 18



Care and Maintenance

- Our steel components for garden accessories and furniture are treated with rust inhibiting paint that protects it from rusting. However, due to the nature of steel, surface oxidation (rusting) will occur once these protective coatings are scratched. This is not a defect and thus not covered by the warranty.
- To minimize this condition, we recommend care when assembling & handling the product to prevent scratching the paint. Should any scratching or damage occur, we recommend immediate touch-up with rust inhibiting paint.
- Surface rust can also be easily removed with a very light application of common cooking oil. If surface oxidation (rusting) occurs and if no measure is taken to prevent this, the oxidation may start dripping on to deck or patio and caused damaging stains, which may be difficult to remove. This can be prevented if the above-mentioned measures are taken to keep the product from oxidizing.
- Use damp cloth to wipe off the stains as quickly as possible.
- If necessary, wash with a mild solution of soap and water; rinse thoroughly and dry completely.
- Periodically check and ensure that all bolts are well-tighten during use

Limited Manufacturer's Warranty

Sunjoy Group warrants to the original purchaser that this item is free from defects in workmanship and materials for a period of **1 year** from the date of purchase, provided the item was factory-sealed at the time of purchase and is maintained with care and used only for personal, residential purposes. Should any manufacturing defect arise within this warranty period, Sunjoy Group will replace (at our option) any defective merchandise or parts upon proof of purchase; however, transportation and delivery costs, as well as payments to a third party for assembly or disassembly of the item, remain the responsibility of the purchaser. A purchaser of an "open box," previously-returned, or "clearance" item, as well as original purchasers outside of the warranty period, may obtain replacement parts from Sunjoy Group for products in current production, at nominal cost.

Exclusions:

Items used for commercial, contract, or other non-residential purposes, or items damaged due to acts of nature, vandalism, misuse, or improper assembly are not covered. Corrosion or rusting of hardware is not covered. Proof of purchase (dated register receipt) is required for warranty claims. Warranty is to the original purchaser and is non-transferable. Any replacement of warranted items will be in the original style and color, or a similar style and color