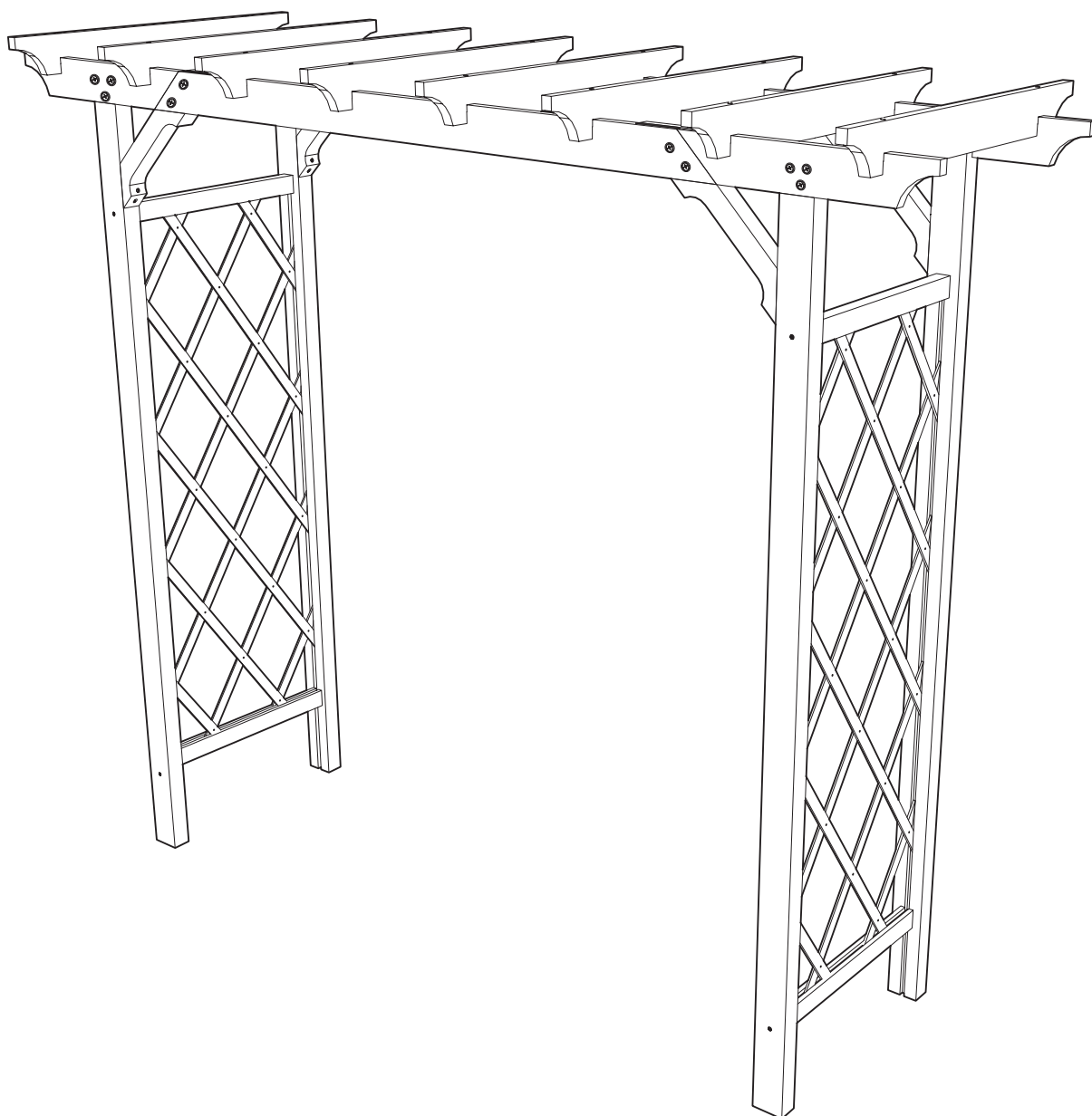


Heartwood Grande Arbor

VA68898



GETTING STARTED

First off, allow us to say thank you for the investment you have made in our fine Arbor. This Arbor is designed to be assembled and installed by two people with basic carpentry knowledge and tools. Do not attempt alone, especially during the installation stage. When assembling components, place on a non-abrasive surface (ie: shipping box) to avoid scratching. We recommend a 15' x 15' area for unobstructed assembling. You should not need to use excessive force when assembling any components.

TOOLS YOU WILL NEED



CAUTION: PLEASE NOTE THAT THERE SHOULD BE NO OTHER MATERIALS OR OBJECTS HUNG ONTO THE BEAMS OR BRACES!

Please take the time to read this instruction guide thoroughly prior to the construction of your arbor. If you have any questions, feel free to contact our technical dept by calling:

North America: 1 800 282 9346 - (Mon. to Fri. 8:00 A.M. to 4:00 P.M. EST).
UK TEL: (44) 2038 687160 - (Mon. to Fri. 1:00 P.M. to 10:00 P.M. GMT).

New England[™]
Arbors

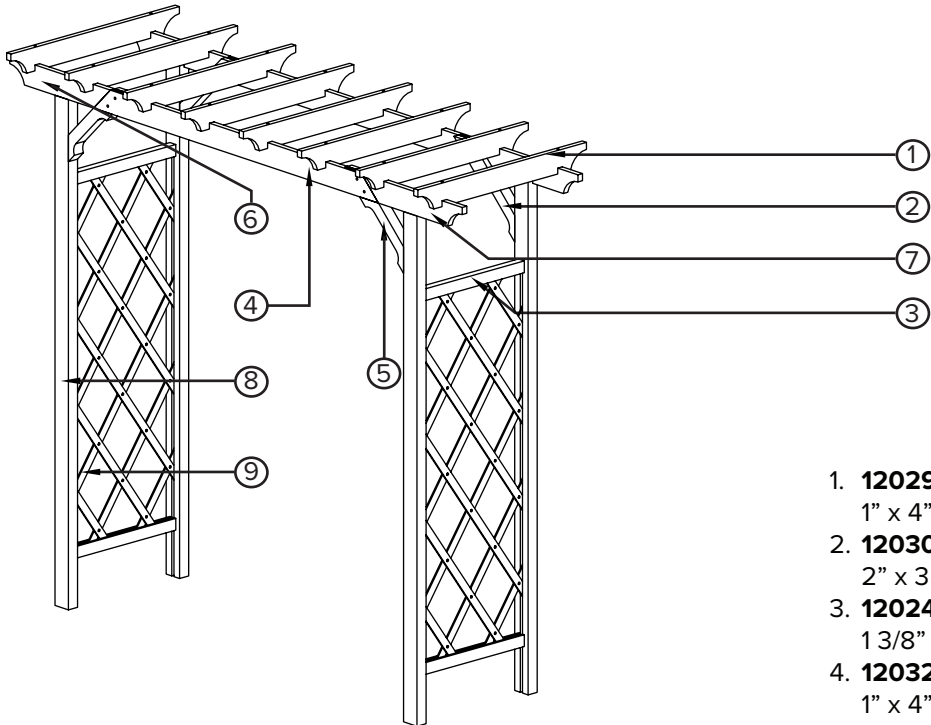
WWW.NEWENGLANDARBORS.COM
WWW.NEWENGLANDARBORS.CO.UK

IN THIS GUIDE

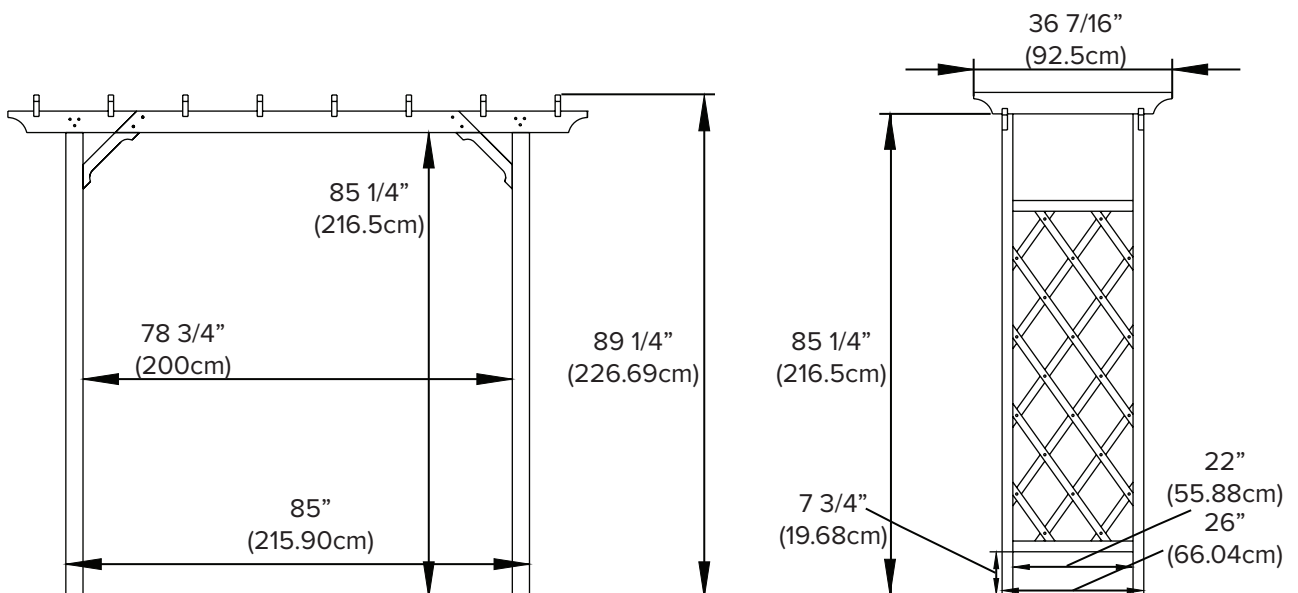
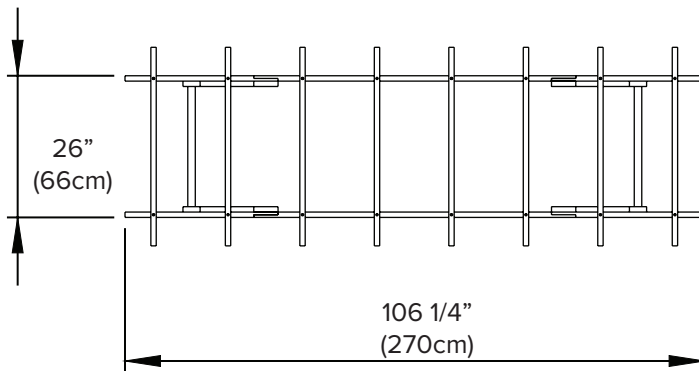
MATERIALS OVERVIEW	4
MATERIALS BREAKDOWN	5
HAMMERING T-NUTS INTO POSTS AND LEFT/RIGHT BRACES	6
ATTACHING ONE RAIL, TWO POSTS AND LATTICE TOGETHER	7
ATTACHING SECOND RAIL TO BOTTOM OF POST	8
ATTACHING BEAM ENDS AND BRACES TO SUPPORT BEAM	9
ATTACHING SUPPORT BEAM ASSEMBLY TO POSTS	10
SECURING BRACES TO POSTS	11
ATTACHING FILTERS TO SUPPORT BEAM ASSEMBLY	12
ATTACHING METAL STAKES TO POSTS	13
OPTION 1: SECURING ARBOR INTO GROUND	14
OPTION 2 (STEP 1): DISTANCE BETWEEN WOOD POSTS	15
OPTION 2 (STEP 2): SECURING ARBOR INTO CONCRETE FOOTINGS	16



MATERIALS OVERVIEW

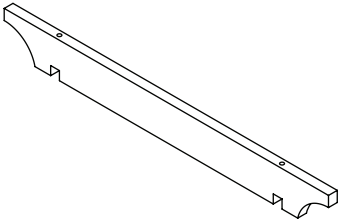


1. **12029 - Filter (x8)**
1" x 4" x 36 7/16" (2.48cm x 10cm x 92.50cm)
2. **12030 - Brace Right (x2)**
2" x 3 1/8" x 20" (5cm x 8cm x 50cm)
3. **12024 - Rail (x4)**
1 3/8" x 2" x 23" (3.5cm x 5cm x 58.4cm)
4. **12032 - Beam (x2)**
1" x 4" x 66 15/16" (2.5cm x 10cm x 170cm)
5. **12031 - Brace Left (x2)**
2" x 3 1/8" x 20" (5cm x 8cm x 50cm)
6. **12033 - Beam End Right (x2)**
1" x 4" x 28" (2.50cm x 10cm x 71.40cm)
7. **12034 - Beam End Left (x2)**
1" x 4" x 28" (2.50cm x 10cm x 71.40cm)
8. **12026 - Post (x4)**
2" x 3 1/8" x 85 1/4" (5cm x 8cm x 216.5cm)
9. **12025 - Lattice (x2)**
75 1/2" x 4" ((191.76cm x 11cm)



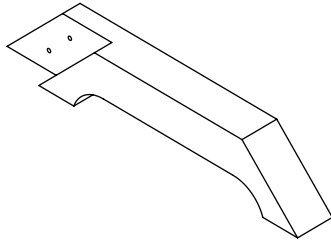
MATERIALS BREAK DOWN

1



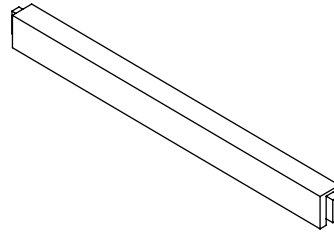
**12029 - FILTER
(X8)**

2



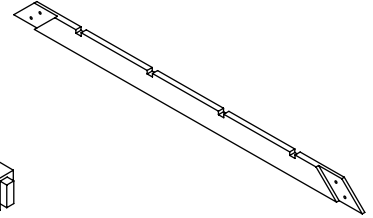
**12030 - BRACE RIGHT
(X2)**

3



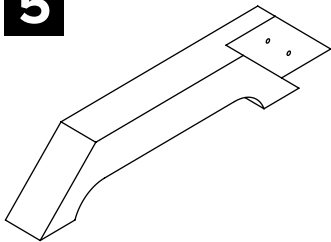
**12024 - RAIL
(X4)**

4



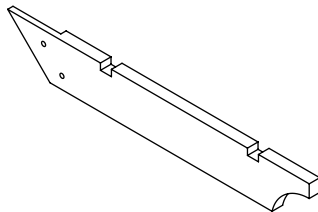
**12032 - BEAM
(X2)**

5



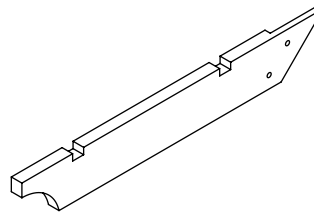
**12031 - BRACE
LEFT
(X2)**

6



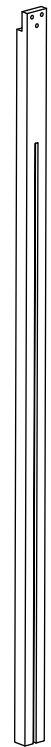
**12033 - BEAM
END RIGHT
(X2)**

7



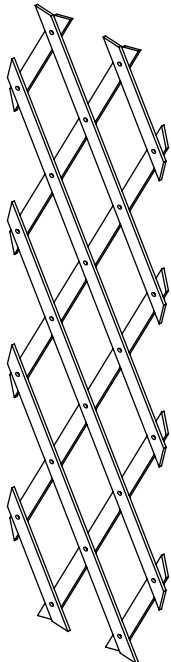
**12034 - BEAM
END LEFT
(X2)**

8



**12026-
POST
(X4)**

9



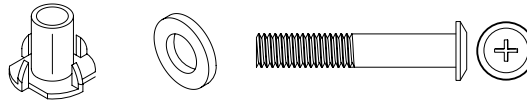
**12025 -
LATTICE
(X2)**

10



**12028-
METAL
STAKE
(X4)**

11



**20065 - T-NUT, WASHER, BOLT 2"
(5CM)
(X20)**

12



**20055- SCREW A - 3 1/8" (8CM)
(X8)**

13



**20056 - SCREW B 2 3/8"
(6CM)
(X20)**

14



**20063 - SCREW C 1 3/4"
(4.5CM)
(X4)**

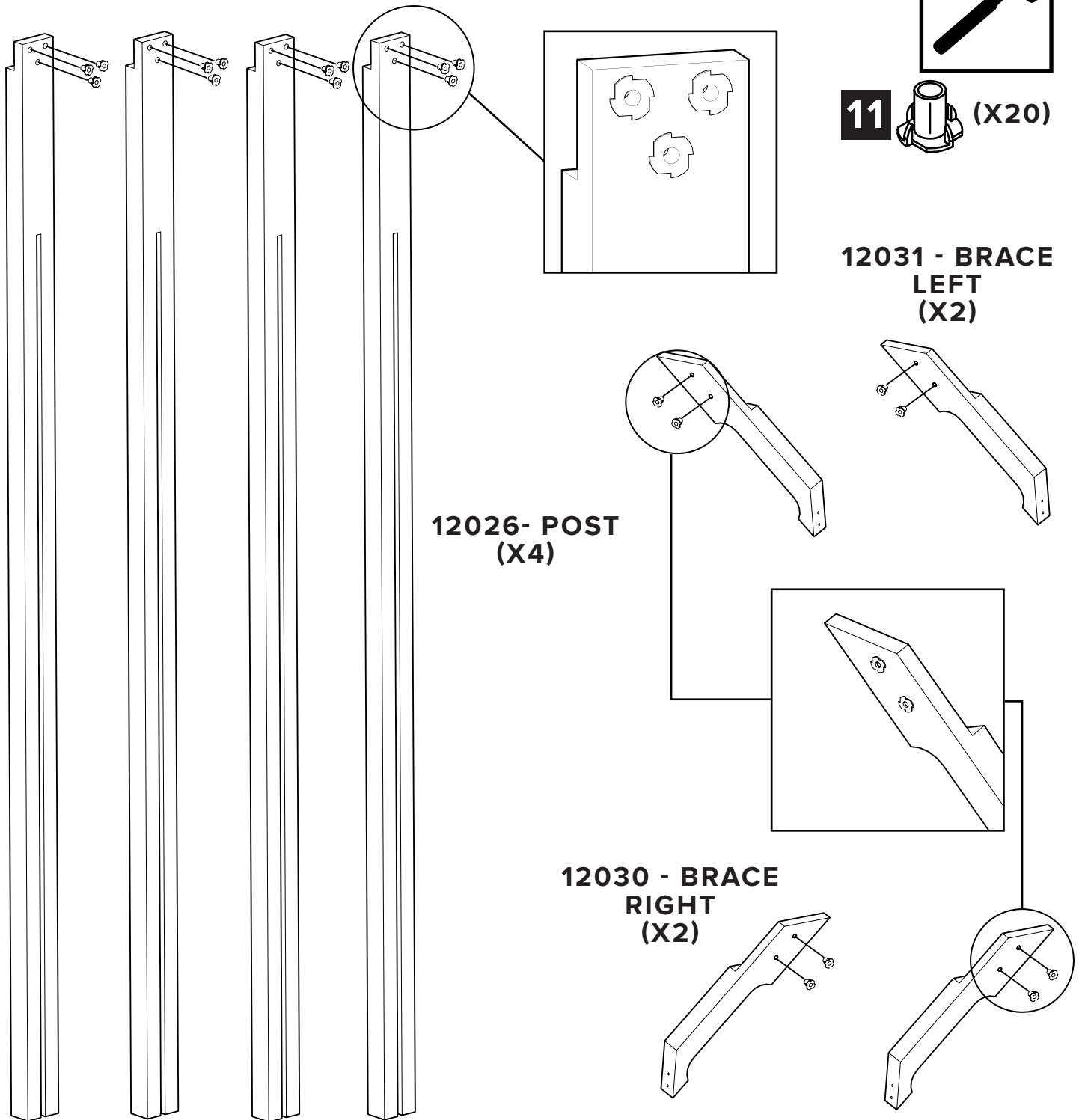
15



**20064 - SCREW D 1 1/4"
(3.18CM)
(X8)**

Step 1

HAMMER IN T-NUTS INTO POSTS AND LEFT/ RIGHT BRACES



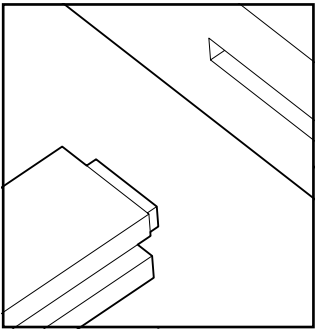
Step 2

ATTACHING ONE RAIL, TWO POSTS AND LATTICE TOGETHER

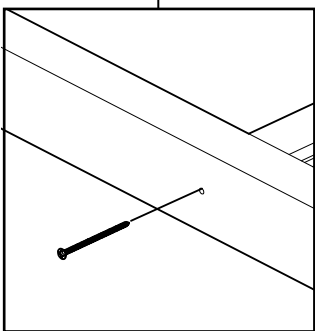


12

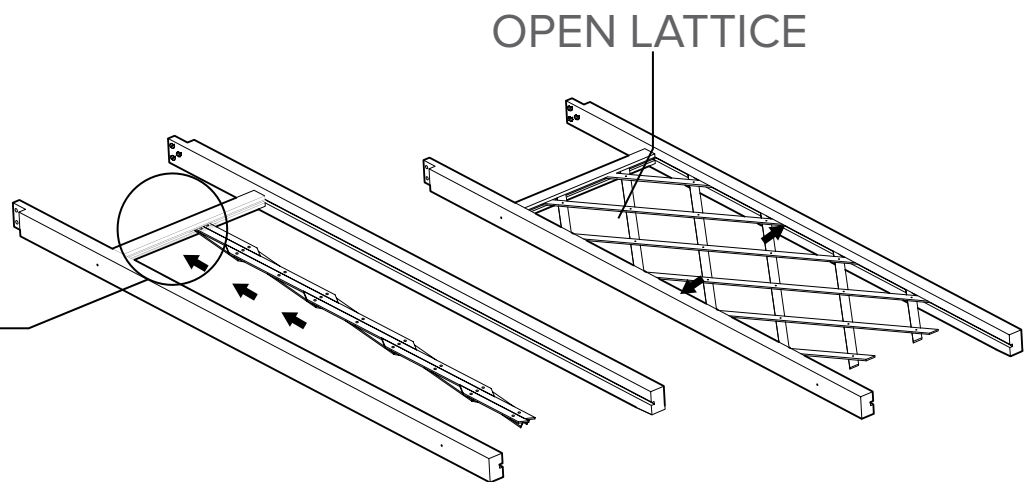
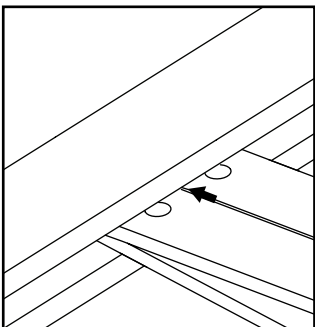
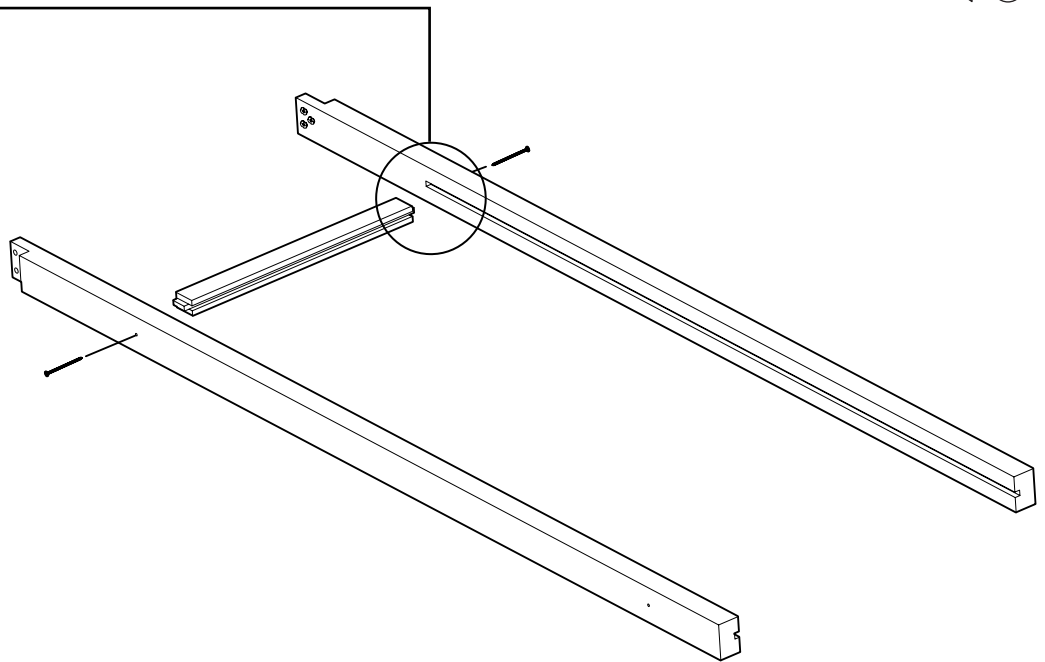
3 1/8" (8CM) (X2)



1



2



Step 3

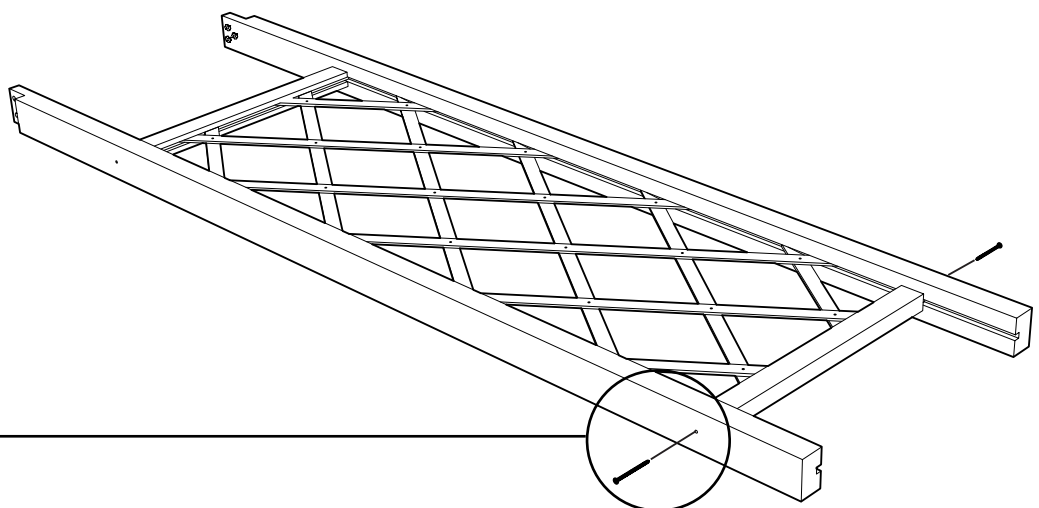
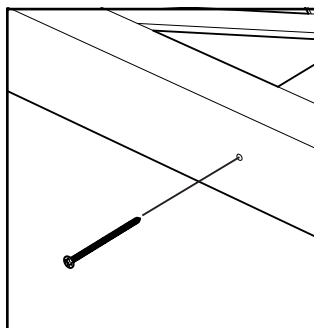
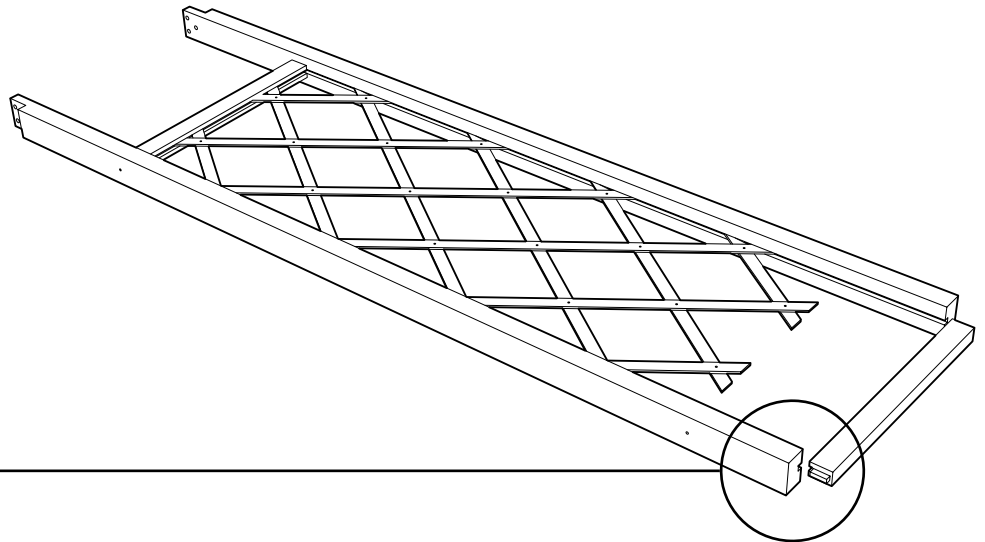
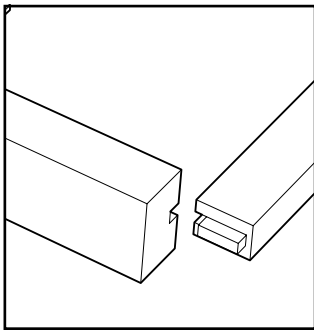
ATTACHING SECOND RAIL TO BOTTOM OF POST

Repeat steps 2 and 3 for second arbor panel



12

3 1/8" (8CM) (X2)



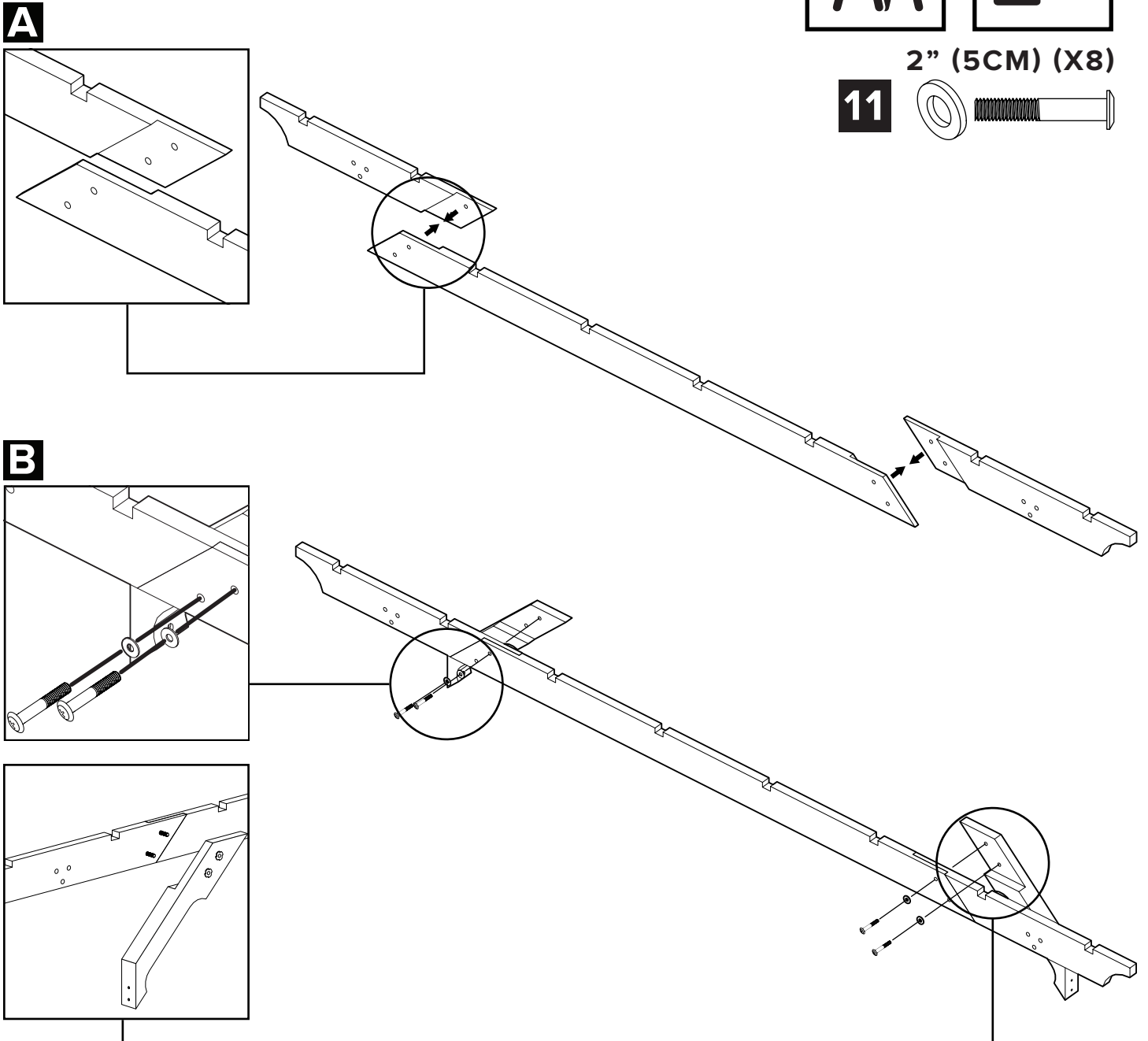
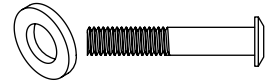
Step 4

ATTACHING BEAM ENDS AND BRACES TO SUPPORT BEAM



2" (5CM) (X8)

11

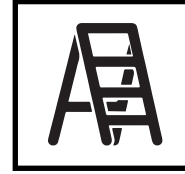


Repeat steps 4 A) and B) for second support beam assembly

Step 5

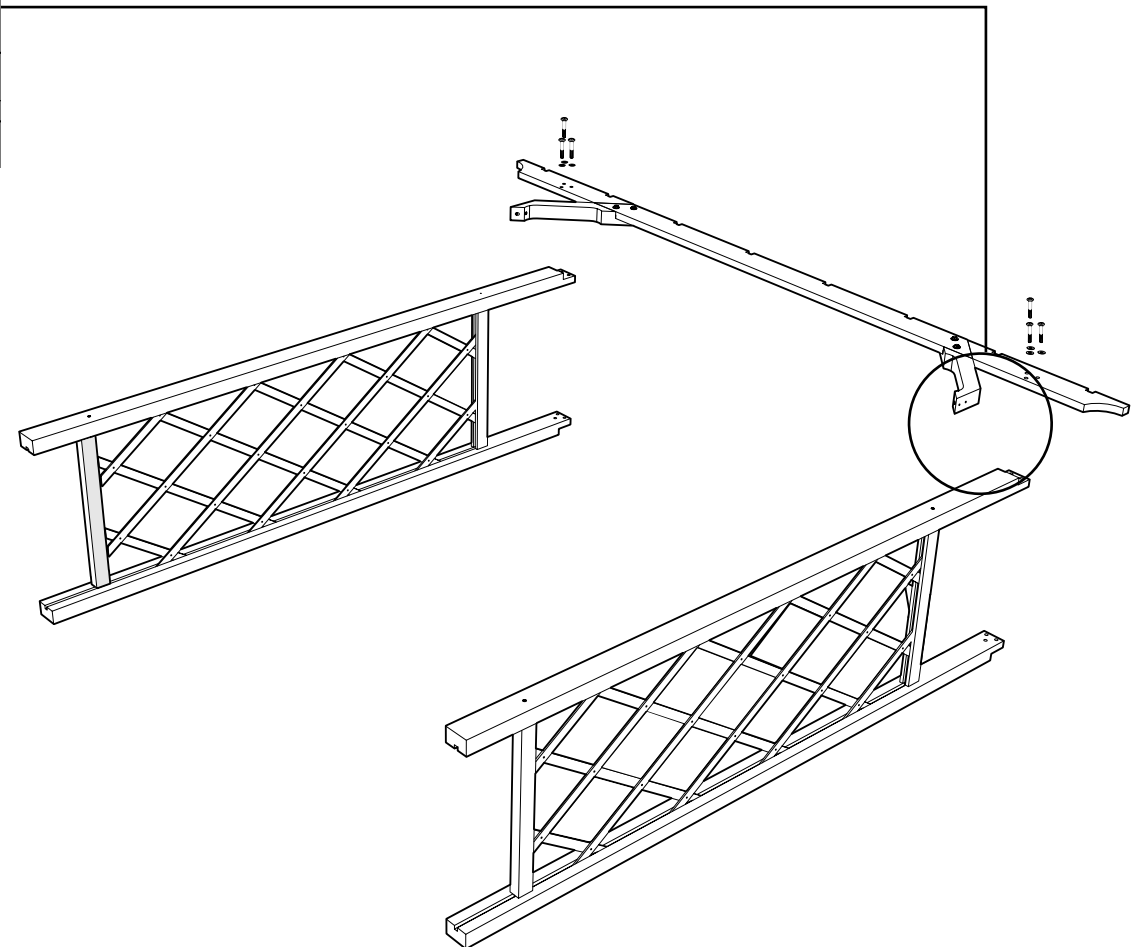
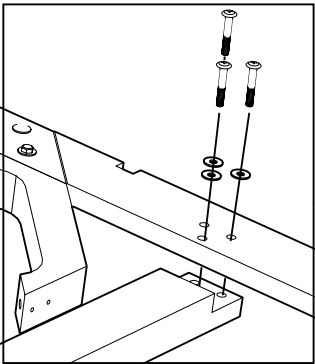
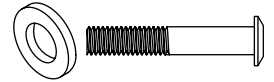
ATTACHING SUPPORT BEAM ASSEMBLY TO POSTS

Repeat for second beam assembly!



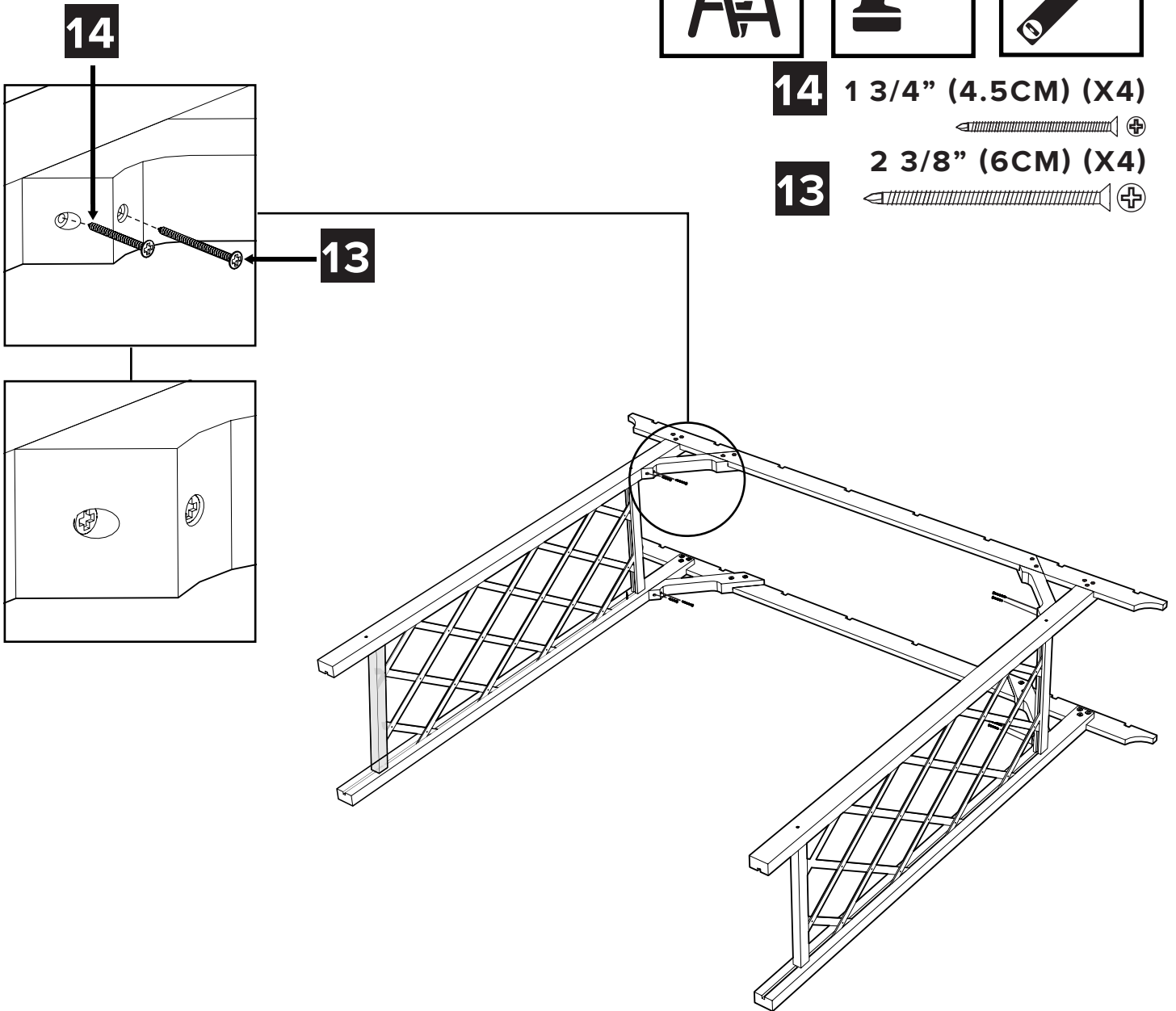
2" (5CM) (X12)

11



Step 6

SECURING BRACES TO POSTS

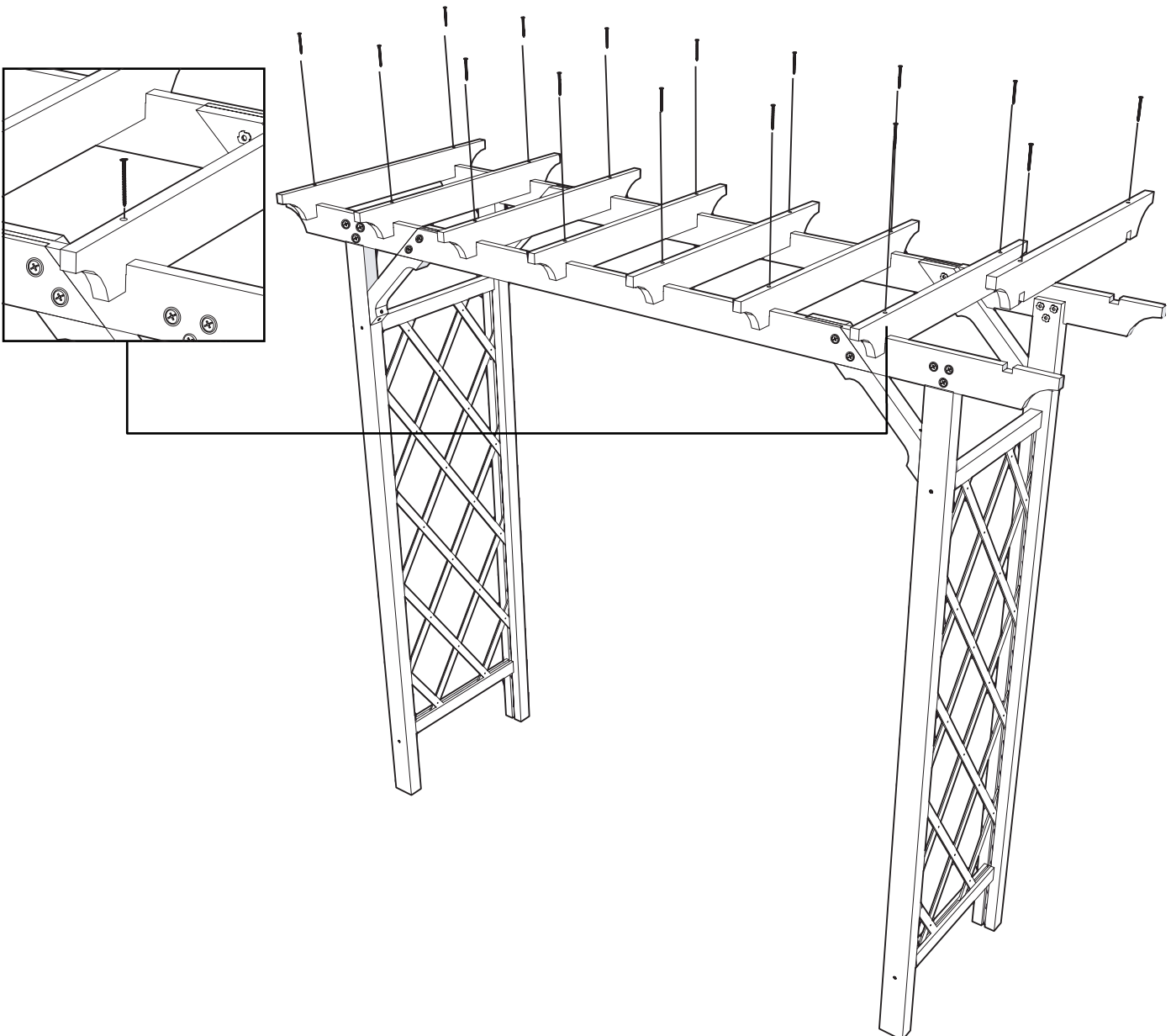


Step 7

ATTACHING FILTERS TO SUPPORT BEAM ASSEMBLY



13 2 3/8" (6CM) (X16)

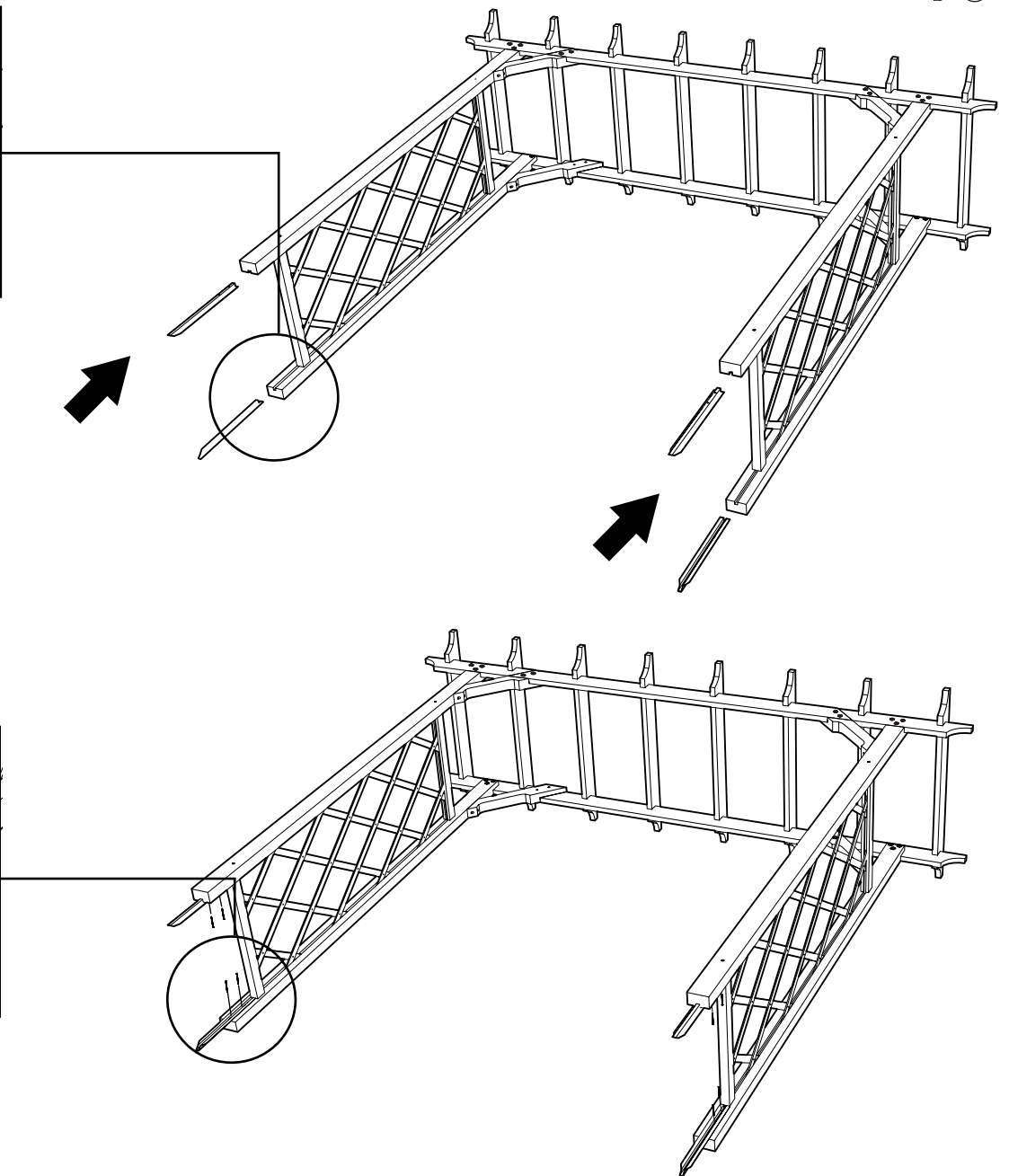
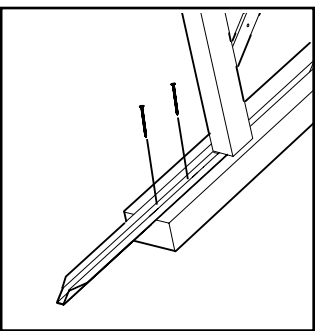
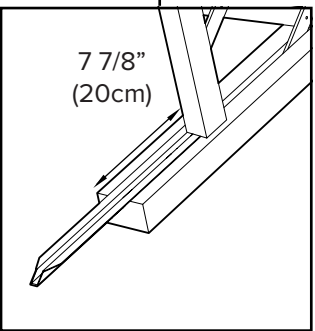
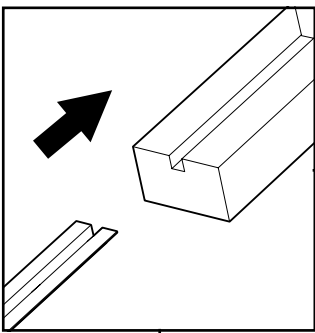


Step 8

ATTACHING METAL STAKES TO POSTS



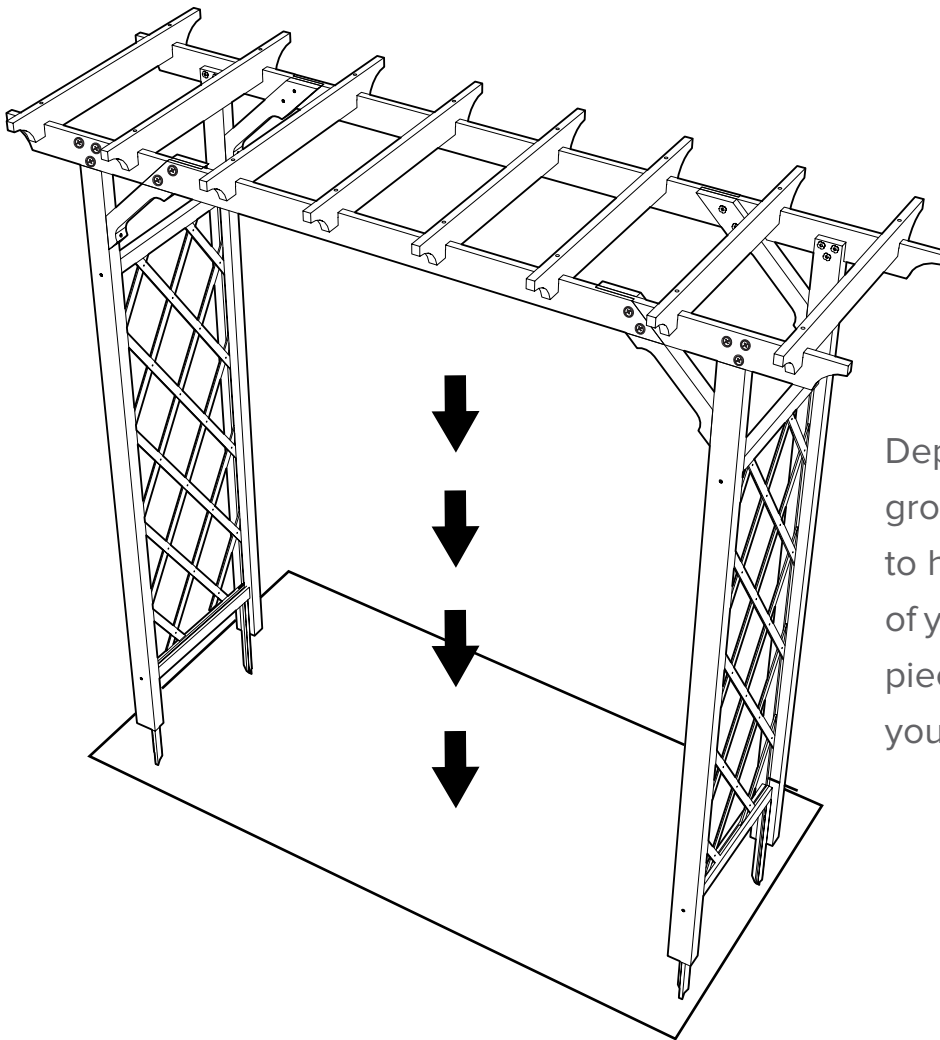
15 1 1/4" (3.18CM) (X8)



Option 1

SECURING ARBOR INTO GROUND

With a helper and yourself placed on either side, raise the arbor over desired area and press stakes into ground. This will keep your Arbor from tipping over.



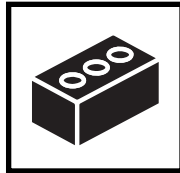
Depending on how hard your ground soil is, you may use a mallet to hammer down each top corner of your arbor. Make sure to place a piece of wood over the area where you will hammer to avoid damage.

Option 2

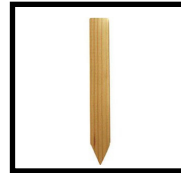
STEP 1: DISTANCE BETWEEN WOOD POSTS

Determine the area you want to start building your arbor. At one end of the desired area, hammer one wooden stake into the ground, tie a piece of string around it and measure to a length of 85 (216cm). This is where your second wood stake needs to be hammered into the ground. You have now set up your wood stakes and ready to dig your holes.

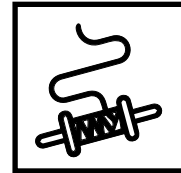
MATERIALS NEEDED:



Bricks x8



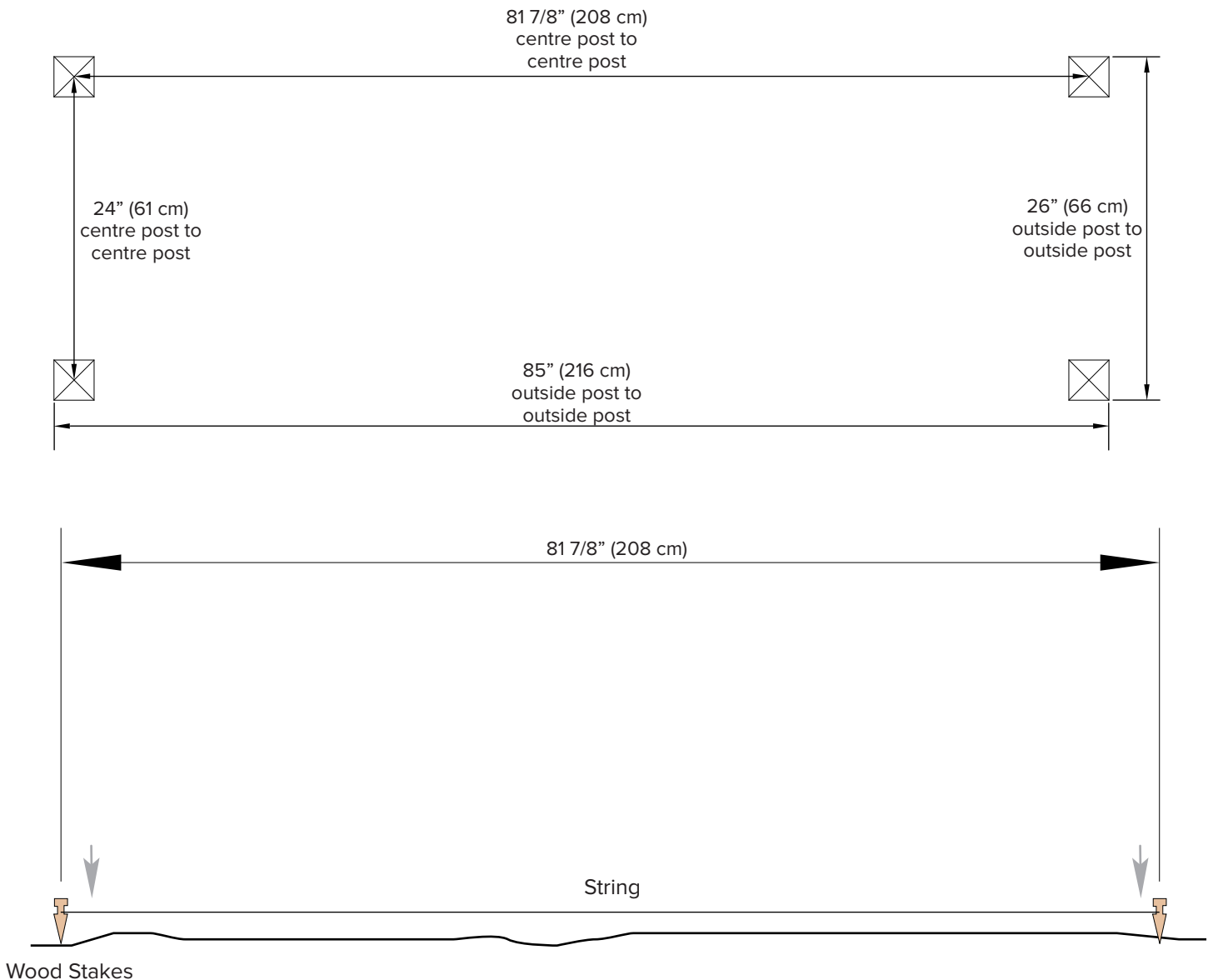
Wood Stakes x4



Roll of String



Hammer

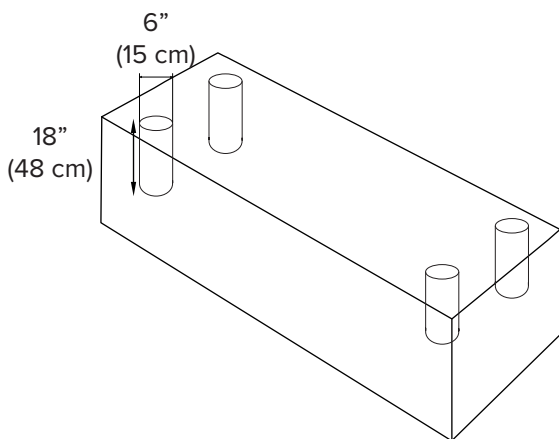


Option 2

STEP 2: SECURING ARBOR INTO CONCRETE FOOTINGS

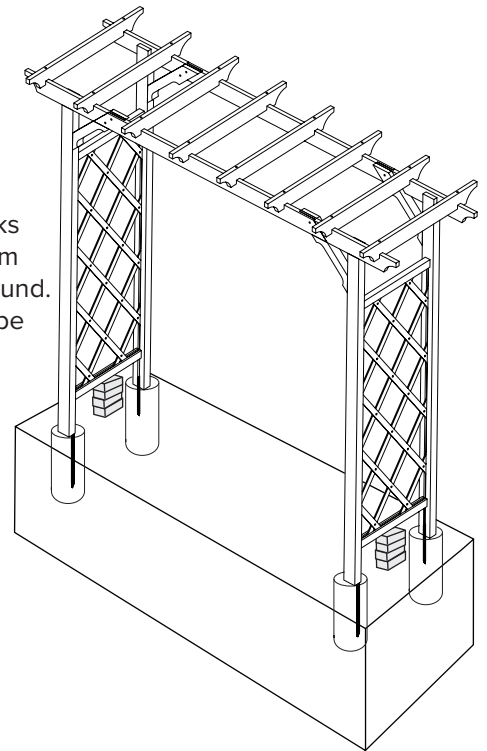
1

Carefully move your arbor to the side. With your desired area chosen, measure and mark the location of posts and dig 4 holes, 18" deep and 6" in diameter.



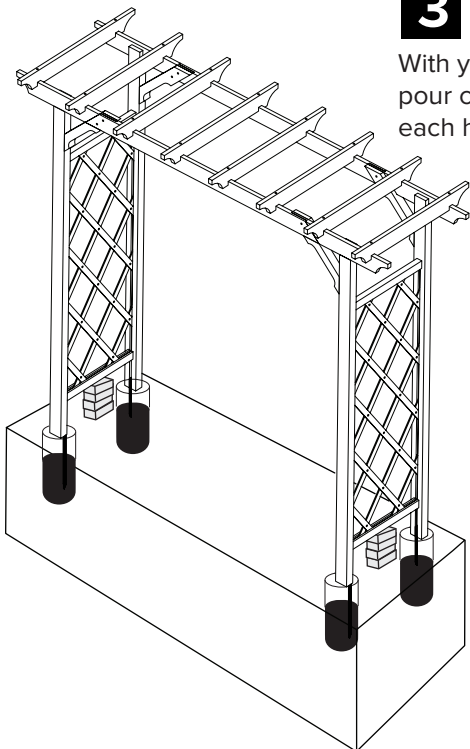
2

Place your arbor now in the excavated holes with a few bricks or wood pieces under the bottom rails to keep it level with the ground. (Only your metal stakes should be submerged into the ground).



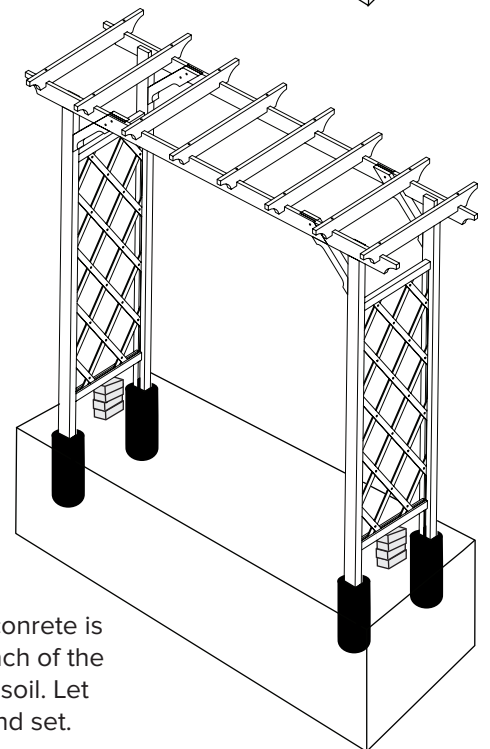
3

With your arbor in place and secure, pour concrete 3/4 of the way up in each hole.



4

As your first pour of concrete is almost set, backfill each of the remaining holes with soil. Let your concrete cure and set.



We're here for you.

If you have any questions at all,
don't hesitate to contact us.

NORTH AMERICA TOLL FREE

1-800-282-9346

UNITED KINGDOM

(44) 2038 687160

Visit our website to chat with a support technician.

WWW.NEWENGLANDARBORS.COM
WWW.NEWENGLANDARBORS.CO.UK

New England[™]
·  · **Arbors**