



Installation Instructions

1. Slide the Post Protector over the post. The Post Protector should slide easily over the post & the post's bottom should contact the bottom of the Post Protector. NOTE: Post Protector's are designed to project above finished floor height. Be certain you are starting with a level building site! Post sizes can vary. Trimming solid post corners on a 45-degree angle is occasionally practiced. "Field built" laminated posts occasionally may need trimming as well.

CALL with any installation questions! 877-966-8768

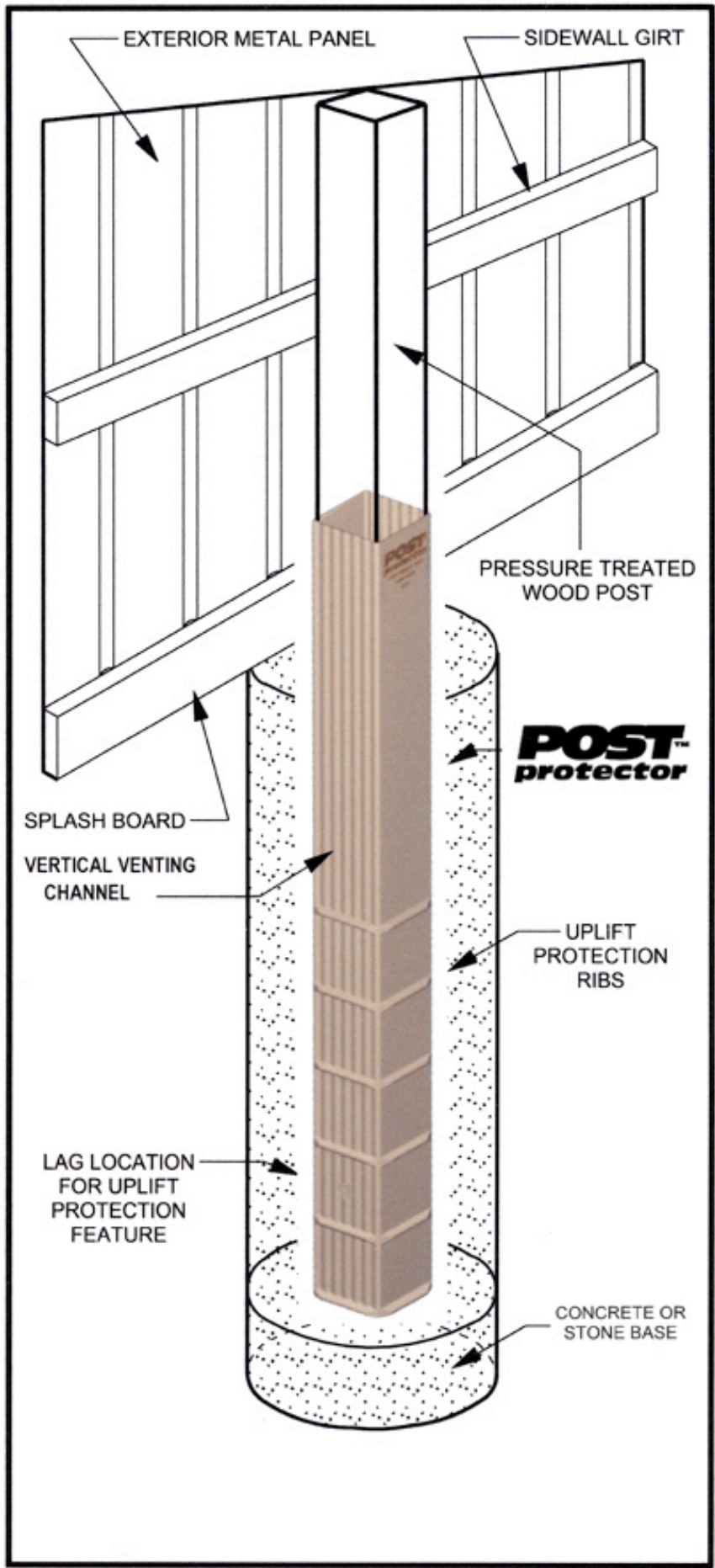
2. (2) ½" galvanized lag screws with sealing washers are provided for each post. Use the lag locations located on the (2) sides of the Post Protector with the "vertical" channels. The lag locations are located between the "horizontal" ribs on the Post Protector's lower section. The lags will join Post Protector to post to utilize the integral post uplift protection. Pre drill a 3/8" perpendicular hole through the Post Protector & into the post. Install ½" lag and allow the sealing washer to snug the Post Protector sidewall to the post.

(Note: If your situation requires more than 4' post embedment, either increase your footing depth to compensate or remove the bottom of the Post Protector & position it on the post so that the top edge of the Post Protector will be above the determined top of finished floor.)

3. Optional Drainage Holes- On building will have posts subjected to the elements, (pavilion, open sided building, porch post, etc.) Drill out drainage hole dimples. These dimples are centered on all (4) sides of the base "horizontal" uplift rib. They allow drainage for rainwater running down the post and through the Post Protector. We suggest 4" - 6" of drainage stone for initial backfill material. On enclosed buildings, most builders will utilize (1) drainage hole so any (during construction) rainwater can drain. Others prefer to shrink wrap the top of the Post Protector after posts are set & remove wrap when the building is weathered in.

Installation Instructions (continued)

4. Set the post in a typical posthole with desired footing & backfill material. Post should be set with the Post Protector logo facing “inside” the building. This allows for a flat side both inside & outside for ease of framing. The “vertical” rib sides will be “inside” the wall of your building.
5. Set your string line “above” the top edge of the Post Protectors to align the posts. Or, you may also use a roofing nail or screw to draw the Post Protectors firmly & uniformly against the “outside” of the posts to be sure the string line post alignment is accurate.
6. Install the base pressure treated board directly over the Post Protector. This will have no ill affect on your sidewall profile! Post Protectors will show that your postholes vary in depth. If you want the Post Protectors at a uniform height on the unfinished inside of your building, simply measure up from the top edge of the baseboard & mark to desired height above finished floor. Trim by dropping a horizontal sawzall blade on (4) sides, then a vertical cut with a utility knife to remove excess material.
7. Overhead Door - To allow for post / jamb trim installation, trim jamb side of the Post Protector to approximately $\frac{1}{4}$ “ above finished floor. Silicone seal top, horizontal edge of Post Protector where trimmed. Install post trim covering the Post Protector.
8. Any unique installation situations or any questions - **877-966-8768**.



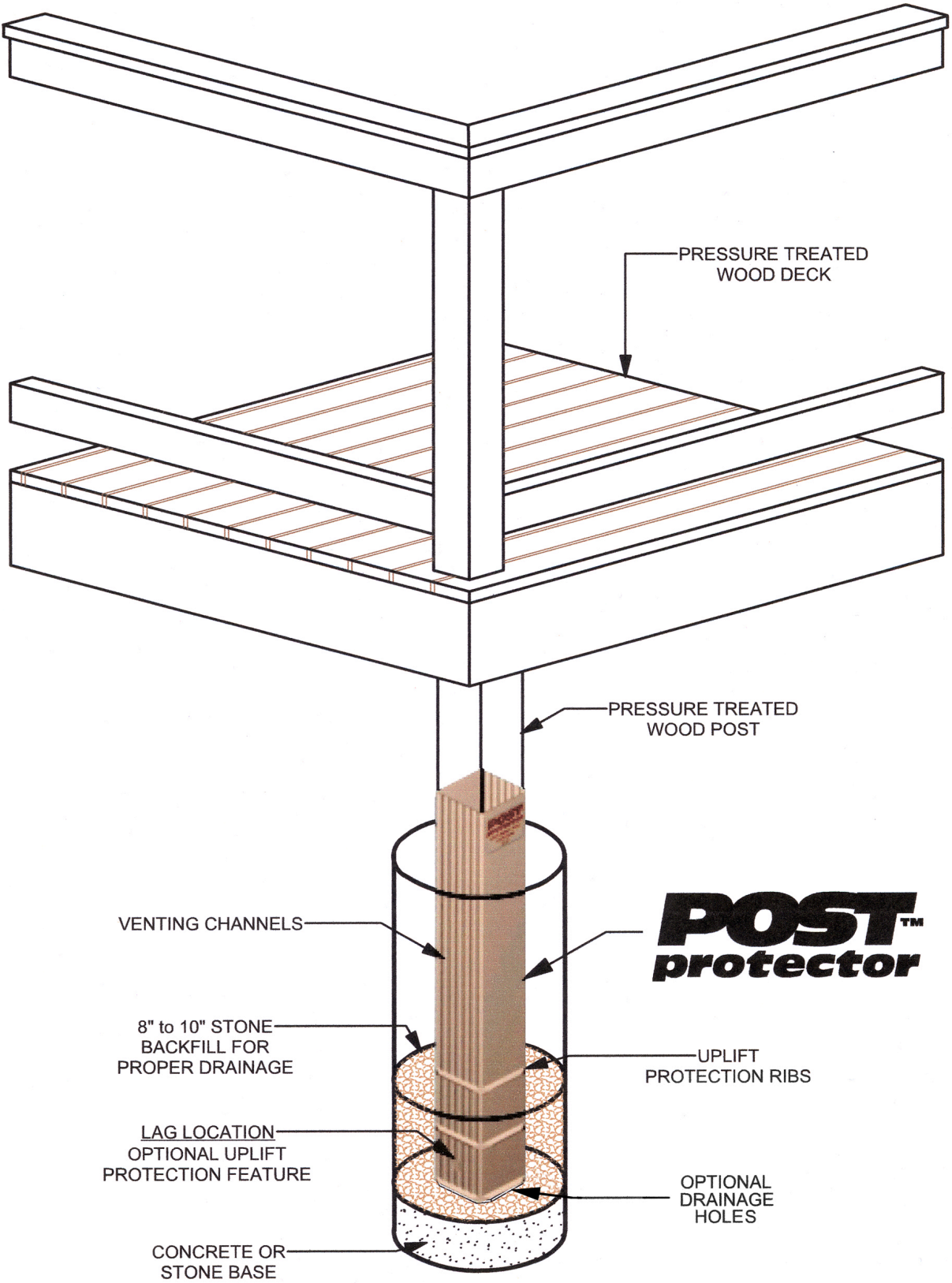


42" - Deck, Pergola, Sunroom, Etc Installation Instructions - Outdoor Post

1. Slide the Post Protector over the post. The Post Protector should slide easily over the post & the post's bottom should contact the bottom of the Post Protector. NOTE: Post Protector's are designed to project above grade or finished floor height. Be certain you are starting with a level building site!

CALL with any installation questions! 877-966-8768

2. (4) 3/8" galvanized lag screws with sealing washers are provided for each post. There are (2) lag locations located between the "horizontal" ribs on the Post Protector's lower section. Continue lag pattern with lag #3 & #4 (see diagram) The lags will join Post Protector to post to utilize the integral post uplift protection. Pre drill a 1/4" perpendicular hole through the Post Protector & into the post. Install 3/8" lag and allow the sealing washer to snug the Post Protector sidewall to the post.
3. Drill out drainage holes dimples. These dimples are centered on all (4) sides of the base "horizontal" uplift rib. They allow drainage for rainwater running down the post & through the Post Protector. We suggest 4" - 6" drainage stone for initial backfill.
4. Set the post in a typical posthole with desired footing & backfill material.
5. Set your string line "above" the top edge of the Post Protectors to align the posts. Or, you may also use a roofing nail or screw to draw the Post Protectors firmly & uniformly against the "outside" of the posts to be sure the string line post alignment is accurate.
6. Post Protectors will show that your postholes vary in depth. If you want the Post Protectors at a uniform height, simply measure & mark to desired height. We suggest 4"-6". Trim by dropping a horizontal sawzall blade on (4) sides, then a vertical cut with a utility knife to remove excess material.
7. Any unique installation situations or any questions - 877-966-8768.



POST™
protector

VENTING CHANNELS

8" to 10" STONE
BACKFILL FOR
PROPER DRAINAGE

LAG LOCATION
OPTIONAL UPLIFT
PROTECTION FEATURE

CONCRETE OR
STONE BASE

PRESSURE TREATED
WOOD POST

UPLIFT
PROTECTION RIBS

OPTIONAL
DRAINAGE
HOLES