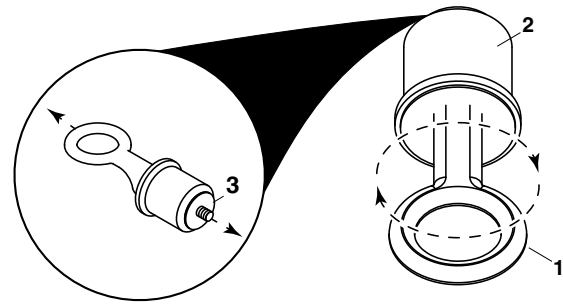


ASSEMBLY INSTRUCTIONS

(SEE ILLUSTRATION BELOW)

1. Assemble bearing (Ref. 7) into hitch tube (Ref. 2) so that bearing flange is against outside of hitch tube. *You may need to place a block of wood against bearing and carefully tap with a hammer.*
2. Place Cotter Pin (Ref. 12) into the inside hole of the axle.
3. Slide the washer (Ref. 6), spacer (Ref. 3), hitchtube (Ref. 2), washer (Ref. 6) onto the axle.
4. Place Cotter Pin (Ref. 12) into the outside hole of the axle.
5. Repeat steps 1 through 4 on the other side.
6. Bring the two hitch tubes together using hex bolts (Ref. 8) and hex lock nuts (Ref. 10). **Do not tighten yet.**
7. Assemble hitch brackets (Ref. 1) to hitch tubes (Ref. 2) using two hex bolts (Ref. 4) and hex lock nuts (Ref. 10).
8. **Tighten** bolts and nuts starting with hitch tubes(Ref. 2), ending with hitch brackets (Ref. 1).
9. Install hitch pin (Ref. 9) through hitch brackets (Ref. 1) and secure with hair cotter pin (Ref. 5).
10. Adjust plug (Ref. 11) size by twisting handle. Lock a plug in each end of roller drum by **flipping handle down**.



Plug Instructions

Instructions for tightening plug:

- Grip ring (1) with right hand and plug (2) end with left hand
- Pull plug and ring in opposing directions
- Twist ring (1) clockwise to tighten and counter-clockwise to loosen

NOTE: If the outer washer (3) is stuck, use a pair of needlenose pliers to ensure that it is free.

Instructions for emptying roller:

- Remove both plugs for more efficient draining

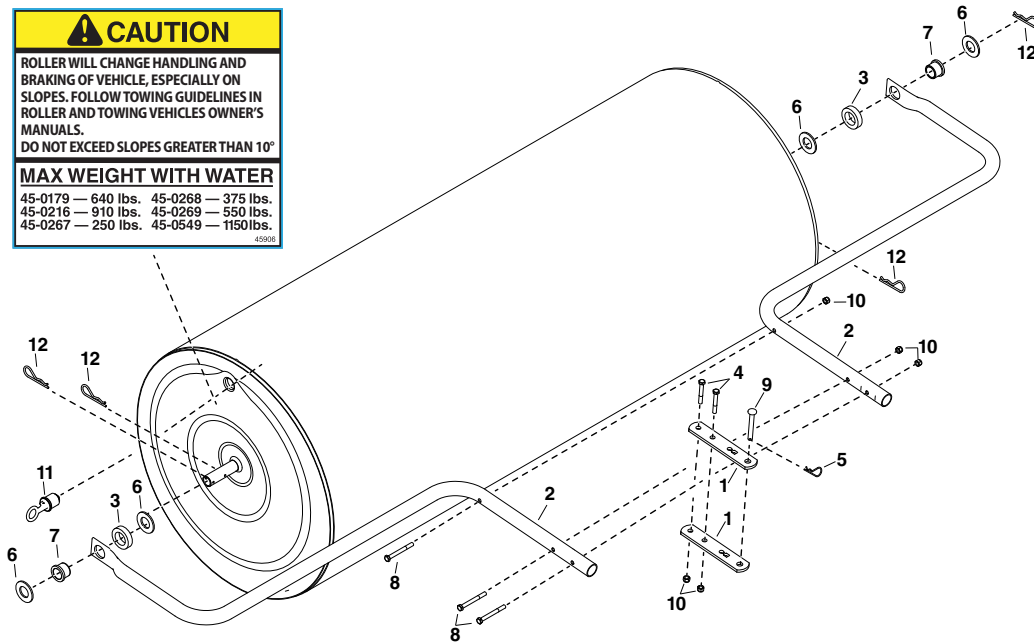
CAUTION

ROLLER WILL CHANGE HANDLING AND BRAKING OF VEHICLE, ESPECIALLY ON SLOPES. FOLLOW TOWING GUIDELINES IN ROLLER AND TOWING VEHICLES OWNER'S MANUALS.
DO NOT EXCEED SLOPES GREATER THAN 10°

MAX WEIGHT WITH WATER

45-0179 — 640 lbs.	45-0268 — 375 lbs.
45-0216 — 910 lbs.	45-0269 — 550 lbs.
45-0267 — 250 lbs.	45-0549 — 1150 lbs.

45906



REF	PART NO.	QTY	DESCRIPTION	REF	PART NO.	QTY	DESCRIPTION
1	24192BL1	2	Bracket, Hitch (Straight)	10	47810	5	Nut, Hex .312-18 x
2	28651BL3	2	Tube, Hitch (Roller)	11	49467	2	Plug, Roller (1-1/4)
3	40740	2	Spacer, 1.28 ID x 2.0	12	714-0117	4	Pin, Hair Cotter 5/3
4	43224	2	Bolt, Hex 5/16-18 x			1	Assembly, 24x60 Roller
5	43343	1	Pin, Hair Cotter		45849	1	Owner's Manual
6	43528	4	Washer, 1" SAE 1.06		45906	1	Roller Caution Label
7	43632	2	Bearing Plastic				
8	46782	3	Bolt, Hex 5/16-18 x				
9	47623	1	Pin, Hitch 3/8 x 3 F				