



## **600LB TRAILER DOLLY**

### **OWNER'S MANUAL**



#### **WARNING:**

Read carefully and understand all **ASSEMBLY AND OPERATION INSTRUCTIONS** before operating. Failure to follow the safety rules and other basic safety precautions may result in serious personal injury.

**Item# TMD-600**



## WORK AREA

- **Keep work area clean**, free of clutter and well lit. Cluttered and dark work areas can cause accidents.
- **Keep children and bystanders** away while operating a trailer dolly.
- **Be alert of your surroundings.** Using a trailer dolly in confined work areas may put you in dangerous situations.

## PERSONAL SAFETY

- **Stay alert**, watch what you are doing and use common sense when using a trailer dolly. Do not use a trailer dolly while you are tired or under the influence of drugs, alcohol or medication. A moment of inattention while operating a trailer dolly may result in serious personal injury.
- **Dress properly.** Do not wear loose clothing, dangling objects, or jewelry. Keep your hair, clothing and gloves away from moving parts. Loose clothes, jewelry or long hair can be caught in moving parts.
- **Use safety apparel and equipment.** Use safety goggles or safety glasses with side shields which comply with current national standards, or when needed, a face shield. Also use non-skid safety shoes, and gloves when appropriate.

## TRAILER DOLLY USE AND CARE

- **Do not modify the trailer dolly in any way.** Unauthorized modification may impair the function and/or safety and could affect the life of the equipment. There are specific applications for which the trailer dolly was designed.
- **Always check for damaged or worn out parts before using the trailer dolly.** Broken parts will affect the trailer dolly operation. Replace or repair damaged or worn parts immediately.
- **Do not exceed the trailer dolly load capacity.**
- **Distribute the load evenly.** Uneven loads may cause the trailer dolly to tip, resulting in personal injury to the operator or others.
- **Use the trailer dolly on flat and level surfaces** capable of supporting the trailer dolly and its maximum load. Pulling or pushing a load on a slanted or uneven surface can result in loss of control.
- **Store idle trailer dolly.** When trailer dolly is not in use, store it in a secure place out of the reach of children. Inspect it for good working condition prior to storage and before re-use.

## WARNING

- Never inflate over max rating.
- Max pressure is 30 psi from regulated air source.
- Over inflating can result in serious injury or death.

## ASSEMBLY

### (See parts diagram on page 5)

1. Attach one side of brace (#4) to axle assembly (#12) using bolt (#16), flat washer (#17), , lock washer (#18) and nut (#19).
2. Connect brace (#4), T-Bar handle (#2) and V support (#5) together using bolts (#3), flat washer (#6), lock washers (#7) and nuts (#8).
3. Install ball coupler (#15) onto the top of axle assembly (#12) using bolt (#13) and lock washer (#14).
4. Assemble two wheels (#9) to axle assembly and secure them with big flat washers (#10) and cotter pins (#11).
5. Check and tighten all fasteners as needed.

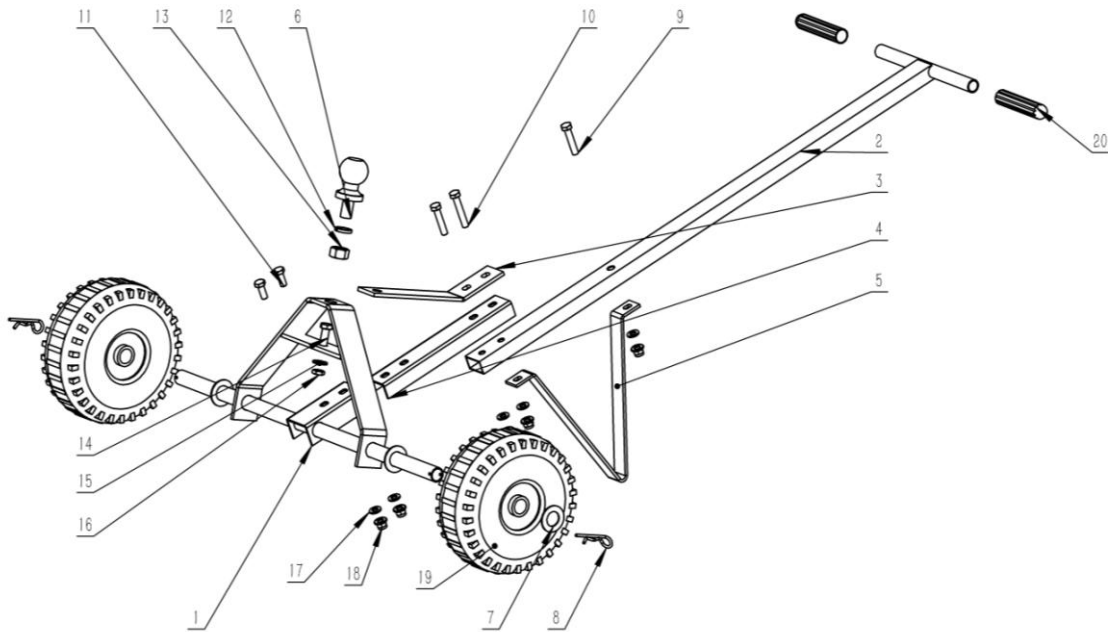
## OPERATION

- ⚠ Design load limit is 600lbs. For the Trailer Dolly alone, not including load supported by trailer wheels. Do not exceed the rated capacity.
- ⚠ Always wear approved safety goggles when working with tools and equipment.
- ⚠ Always keep arms, feet, and legs, etc. out from under the trailer tongue while hitching, unhitching or moving the trailer. Children should always be kept at a safe distance.
- ⚠ Always make sure any loaded trailer is blocked properly while the Trailer Dolly is being moved into place.
- ⚠ Make sure the trailer tongue is securely connected to the Trailer Dolly coupler ball before attempting to unblock and move the trailer.
- ⚠ Take precautions to prevent uncontrolled movement of the trailer once it is connected to the Trailer Dolly. Remember, the slope of a roadbed surface is difficult to judge, and the pull of gravity can result in a dangerously out of control trailer.
- ⚠ If the Trailer Dolly is being connected to a trailer which is being stored over a lengthy period of time, make sure both the trailer and the Trailer Dolly are blocked properly.
- ⚠ Keep the Trailer Dolly clean and free of road dirt. Inspect the Trailer Dolly before each use to make sure all parts are securely in place and in working order. Periodically lubricate moving parts.
- ⚠ **WARNING: FAILURE TO FOLLOW THESE INSTRUCTIONS COULD RESULT IN LOSS OF LOAD AND/OR PERSONAL INJURY OR DAMAGE TO PROPERTY.**

## MAINTENANCE

- **Maintain your trailer dolly.** It is recommended that the general condition of any trailer dolly be examined before it is used. Keep your trailer dolly in good repair by adopting a program of conscientious repair and maintenance. Have necessary repairs made by qualified service personnel.

# DIAGRAM & PARTS LIST



Ref #	Description	Qty	Ref #	Description	Qty
1	support frame	1	11	bolt M10X25	2
2	handle	1	12	spring washer 18	1
3	link bar	1	13	nut M18	1
4	handle bracket	1	14	M12X30	1
5	triangle stand	1	15	flat washer 12	1
6	hitch ball, 1-7/8"	1	16	nut M12	1
7	washer	2	17	flat washer 10	5
8	split pin	2	18	nut M10	5
9	bolt M10*50	2	19	wheel	2
10	bolt M10X60	1	20	grip	2

For replacement parts and technical questions, please call **1-218-943-6296**.

## WARRANTY

**One-year limited warranty**



TG

PO BOX 203  
Miltona, MN 56354  
Made in China