

# 5' 3PT Landscape Rake

## OWNER'S MANUAL



### **WARNING:**

Carefully read and understand all **ASSEMBLY AND OPERATION INSTRUCTIONS** before operating. Failure to follow the safety rules and other basic safety precautions may result in serious personal injury.

**MODEL # FTF-60LSR3PT**

Thank you very much for choosing this product! For future reference, please complete the owner's record below:

Model: \_\_\_\_\_ Purchase Date: \_\_\_\_\_

Save the receipt, the warranty, and these instructions. It is important that you read the entire manual to become familiar with this product before you begin using it.

This product is designed for certain applications only. The manufacturer cannot be responsible for issues arising from modification. We strongly recommend that this product not be modified and/or used for any application other than that for which it was designed. If you have any questions relative to a particular application, DO NOT use the product until you have first contacted us to determine if it can, or should, be performed on the product.

For technical questions, please call **1-218-943-6296**.

## TECHNICAL SPECIFICATIONS

Item	Description
Coverage	5' working width
Tine Qty.	30

## IMPORTANT SAFETY INFORMATION



**WARNING:** Read and understand all instructions. Failure to follow all instructions listed below may result in serious injury.



**CAUTION:** Do not allow persons to operate or assemble this Landscape Rake until they have read this manual and have developed a thorough understanding of how it works.



**WARNING:** The warnings, cautions, and instructions discussed in this instruction manual cannot cover all possible conditions or situations that could occur. It must be understood by the operator that common sense and caution are factors that cannot be built into this product, but must be supplied by the operator.

# SAVE THESE INSTRUCTIONS

## WORK AREA

- **Keep work area clean**, free of clutter, and well-lit. Cluttered and dark work areas can cause accidents.
- **Keep children and bystanders** away while operating the landscape rake. Distractions can cause you to lose control, so visitors should remain at a safe distance from the work area.
- **Be alert of your surroundings.** Using a landscape rake in confined work areas may put you dangerously close to sharp tools and rotating parts.

## PERSONAL SAFETY

- **Stay alert**, watch what you are doing, and use common sense when using a landscape rake. Do not use while you are tired or under the influence of drugs, alcohol, or medication. A moment of inattention while operating a landscape rake may result in serious personal injury.
- **Dress properly.** Do not wear loose clothing, dangling objects, or jewelry. Keep your hair, clothing, and gloves away from moving parts. Loose clothes, jewelry, or long hair can be caught in moving parts.
- **Use safety apparel and equipment.** Use safety goggles or safety glasses with side shields that comply with current national standards or, when needed, a face shield. Use a dust mask if working in dusty work conditions. This applies to all persons in the work area. Also use non-skid, safety shoes, hard hat, gloves, dust collections systems, and hearing protecting when appropriate.
- **Do not have passengers** on the tractor when using the Landscape Rake.

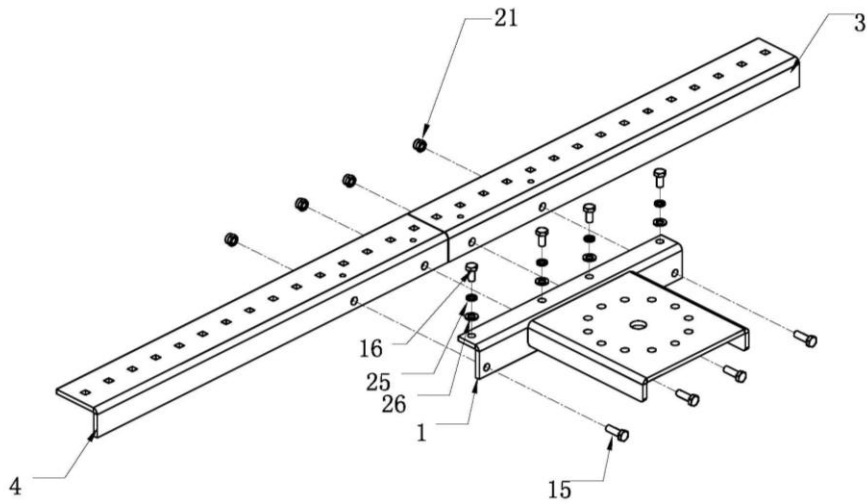
## LANDSCAPE RAKE USE AND CARE

- **Do not modify the Landscape Rake in any way.** Unauthorized modification may impair the function and/or safety and could affect the life of the equipment. There are specific applications for which the Landscape Rake was designed.
- **Always check for damaged or worn-out parts before using the Landscape Rake.** Broken parts will affect the Landscape Rake operation. Replace or repair damaged or worn parts immediately.
- **Store idle Landscape Rake.** When the Landscape Rake is not in use, store it in a secure place out of the reach of children. Inspect it for good working condition prior to storage and before re-use.
- **Exercise extreme caution when changing direction on slopes.** Do not operate across slopes. Use up and down only. Do not attempt to operate on steep slopes.
- **Beware of hidden, underground objects.** Contact with hidden objects might cause a sudden stop of the tractor and damage to the Landscape Rake.
- **Do not operate the tractor at speeds higher than 5 mph** and use care when backing up.
- **Do not load or unload the tractor** with the Landscape Rake attached to the tractor.

# ASSEMBLY

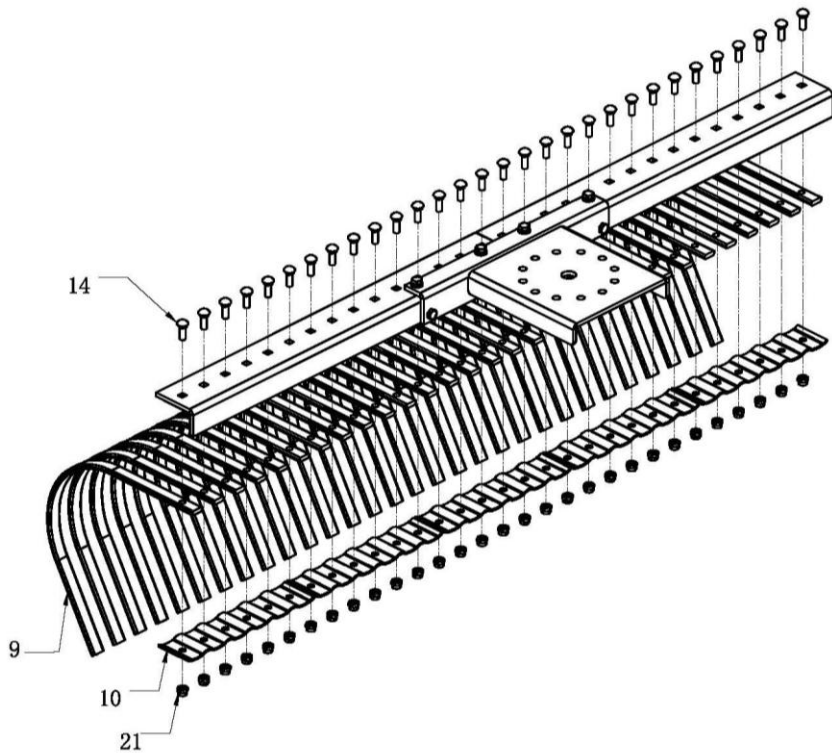
## Step #1:

Assemble the two side Tine Assembly Plates(#3 & #4) to Rotating base (#1), using four Hex Bolts M10\*30 (#15), four Hex Lock Nuts M10 (#21), four Hex Bolts M10\*20 (#16) and four Spring washers (#25) and four Washers Ø 10 (#26).



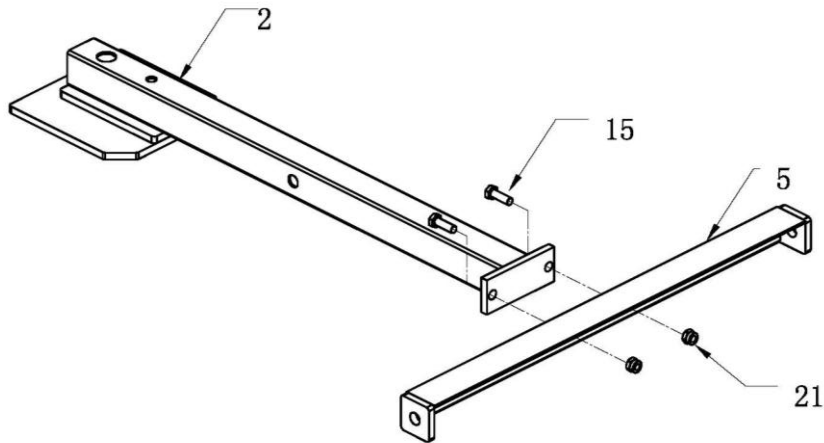
## Step #2:

Attach the thirty Tines (#9) to the Tine Assembly Plates (#3 & #4) and the five Tine Pressure Plates (#10), using thirty Step Bolts M10\*30 (#14) and thirty Hex Lock Nuts M10 (#21).



**Step #3:**

Assemble the Hanging beam (#5) to the Connect component (#2), using two Hex Bolts M10\*30 (#15), and two Hex Lock Nuts M10 (#21).

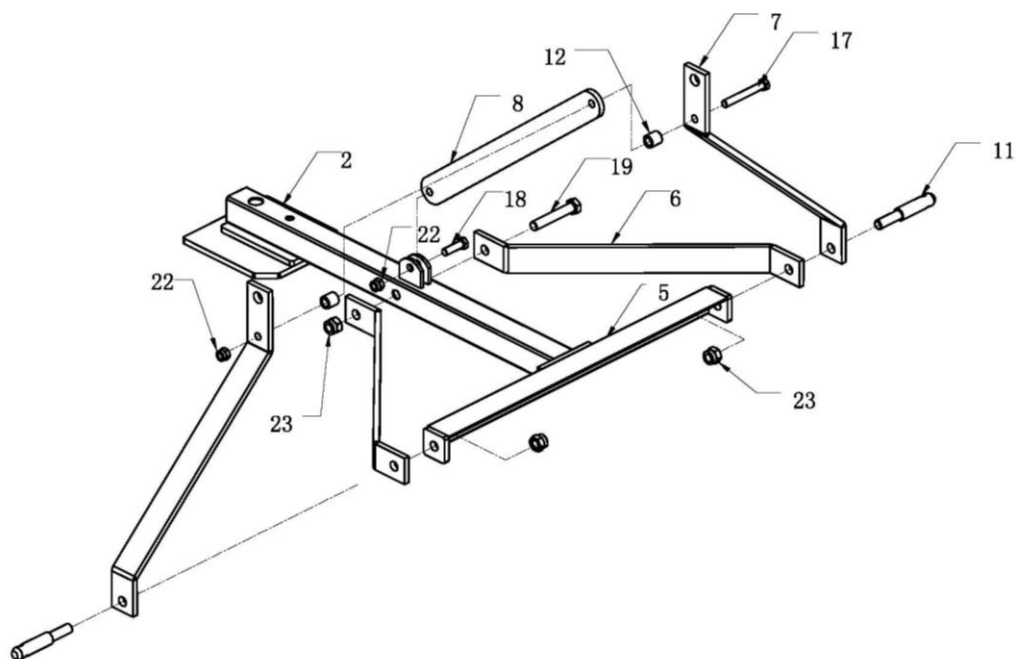


**Step #4:**

Assemble two Inclined struts A (#6) and two Suspension arms (#7) to the Hanging beam (#5) and Connect component (#2), using one Hex Bolt M16\*90 (#19), two Threaded Pins (#11) and three Hex Lock Nuts M16 (#23).

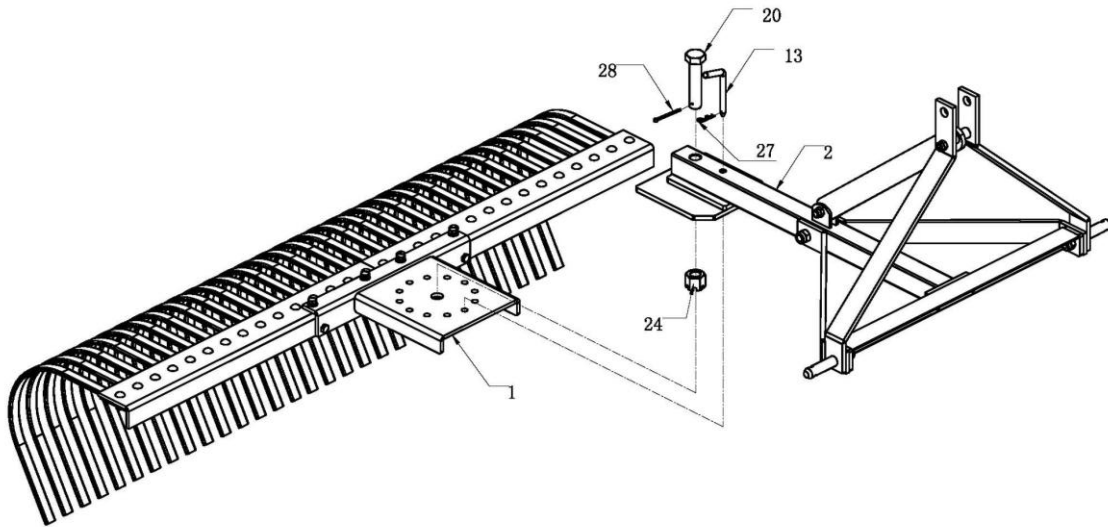
**Step #5:**

Assemble the Inclined strut B (#8) to Connect component (#2) and Suspension arms (#7), using one Hex Bolt M12\*90 (#17), one Hex Bolts M12\*45 (#18), two Bushings (#12) and two Hex Lock Nuts M12 (#22).



### Step #6:

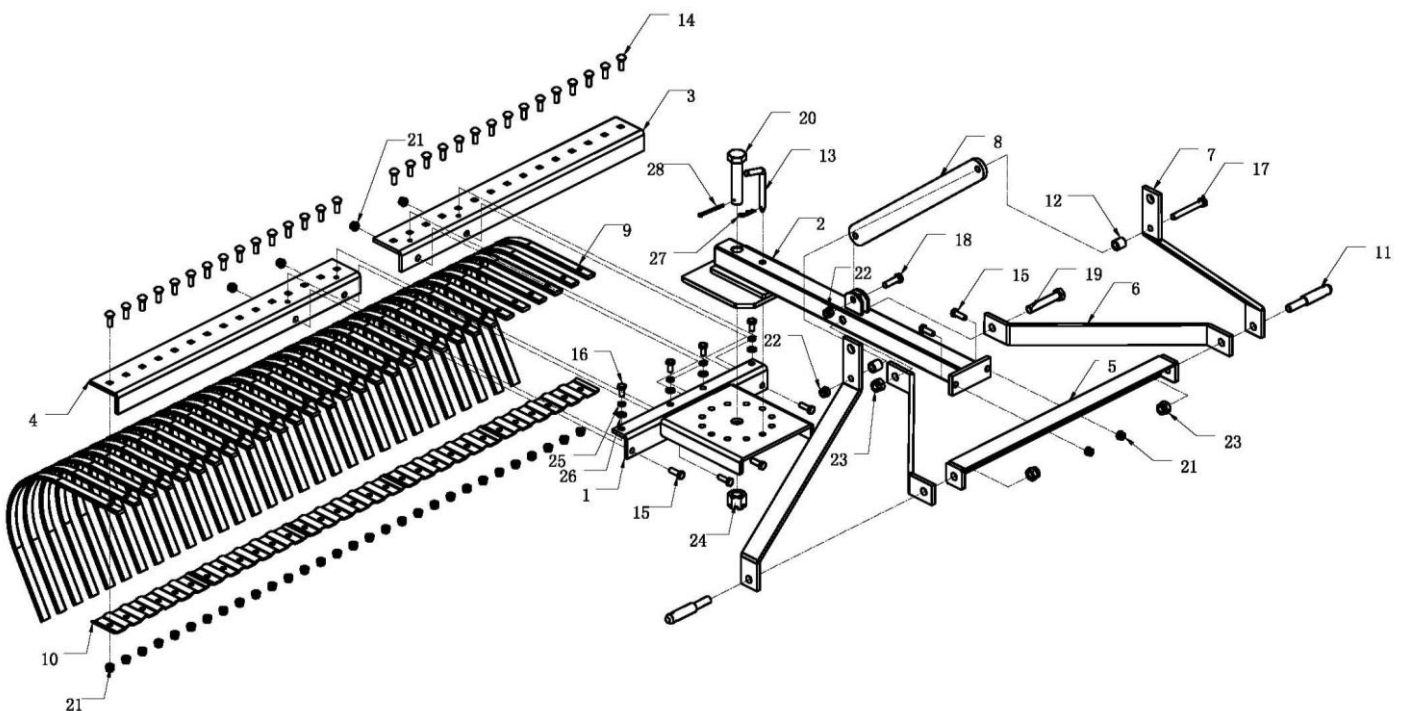
Assemble Connect component (#2) to the Rotating base (#1), using one Drilling Bolt M24 (#20), One Hexagon Slotted Nut M24 (#24), one Cotter  $\text{\O} 4 \times 50$  (#28), one Pin (#13) and one R Pin (#27).



## MAINTENANCE

- **Maintain your landscape rake.** It is recommended that the general condition of any landscape rake be examined before it is used. Keep your landscape rake in good repair by adopting a program of conscientious repair and maintenance. If any abnormal vibrations or noise occurs, have the problem corrected before further use. Have necessary repairs made by qualified service personnel.

## PARTS DIAGRAM



## PARTS LIST:

Part #	Description	Qty.	Part #	Description	Qty.
1	Rotating base	1	15	Hex Bolts M10*30	6
2	Connect component	1	16	Hex Bolts M10*20	4
3	Left Tine Assembly Support	1	17	Hex Bolt M12*90	1
4	Right Tine Assembly Support	1	18	Hex Bolts M12*45	1
5	Hanging Beam	1	19	Hex Bolt M16*90	1
6	Inclined Strut A	2	20	Drilling Bolt M24	1
7	Suspension arm	2	21	Hex Lock Nuts M10	36
8	Inclined strut B	1	22	Hex Lock Nuts M12	2
9	Tine	30	23	Hex Lock Nuts M16	3
10	Tine Pressure Plate	5	24	Hexagon Slotted Nut M24	1
11	Threaded Pin	2	25	Spring washer	4
12	Bushing	2	26	Washer	4
13	Pin	1	27	R Pin	1
14	Step Bolts M10*30	30	28	Cotter Ø 4*50	1

For technical questions, please call **1-218-943-6296**.

## WARRANTY

**One-year limited parts warranty.**



TG

PO BOX 203

Miltona, MN 56354

Made in China