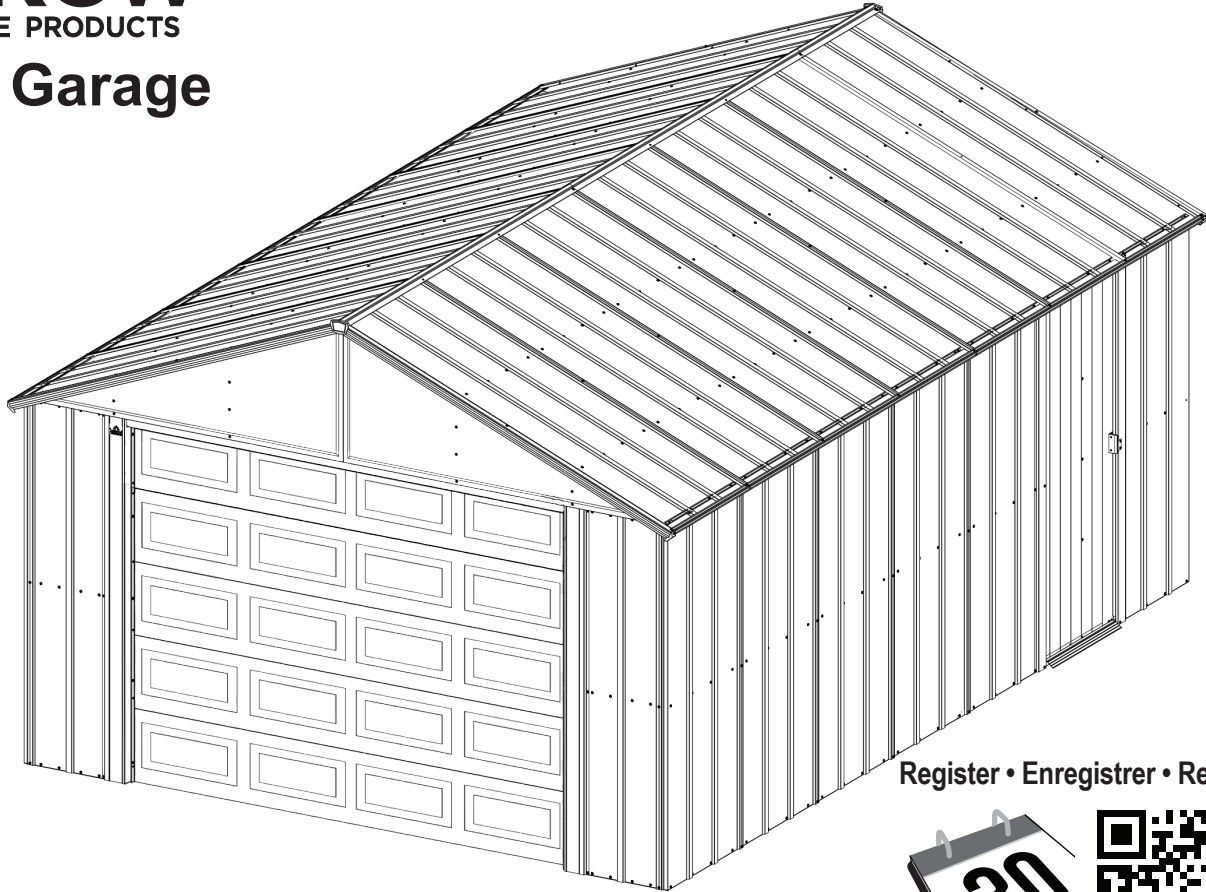


Owner's Manual & Assembly Instructions

JN01c



Model No. BGR1421FG □ BGR1431FG □



Register • Enregistrer • Registrare



733140423

arrowsheds.com
Visit our website for compatible accessories

ShelterLogic.com/product-registration

Storage Area:	14' x 21'	291 Sq. Ft.	2528 Cu.Ft.
	4,3 m x 6,4 m	27,0 m ²	71,6 m ³
	14' x 31'	422 Sq. Ft.	3663 Cu.Ft.
	4,3 m x 9,4 m	39,2 m ²	103,7 m ³



CAUTION: SOME PARTS HAVE SHARP EDGES. CARE MUST BE TAKEN WHEN HANDLING THE VARIOUS PIECES TO AVOID A MISHAP. FOR SAFETY SAKE, PLEASE READ SAFETY INFORMATION PROVIDED IN THIS MANUAL BEFORE BEGINNING CONSTRUCTION. WEAR GLOVES WHEN HANDLING METAL PARTS.

BUILDING DIMENSIONS * Size rounded off to the nearest foot

*Approx. Size	Base Size	Exterior Dimensions (Roof Edge to Roof Edge)			Interior Dimensions (Wall to Wall)		
		Width	Depth	Height	Width	Depth	Height
14' x 21'	164" x 255 1/2"	169"	260 3/4"	116"	164"	255 1/2"	114 1/2"
14' x 31'	164" x 370 1/2"	169"	375 3/4"	116"	164"	370 1/2"	114 1/2"
4,3 m x 6,4 m	416,6 cm x 649,0 cm	429,3 cm	662,3 cm	294,6 cm	416,6 cm	649,0 cm	290,8 cm
4,3 m x 9,4 m	416,6 cm x 941,1 cm	429,3 cm	954,4 cm	294,6 cm	416,6 cm	941,1 cm	290,8 cm

BEFORE YOU BEGIN...

BW02a

Owner's Manual

Before beginning construction, check local building codes regarding footings, location and other requirements. Study and understand this owner's manual.

Important information and helpful tips will make your construction easier and more enjoyable.

Assembly Instructions: Instructions are supplied in this manual and contain all appropriate information for your building model. Review all instructions before you begin, and during assembly, follow the step sequence carefully for successful results.

Flooring and Anchoring: Your storage building must be anchored to prevent wind damage. A base is necessary to construct a square and level building. Anchoring and base materials are not included with your building. We recommend the use of an Arrow Anchoring Kit as an effective method of securing your building to the ground (Available by mail order or at your local dealer) or you may construct a base and anchoring system of your choice. Your assembly instructions provide information on a few methods commonly used to secure and level a storage building.

Parts and Parts List: Check to be sure that you have all the necessary parts for your building.

- All part numbers can be found on the parts. All of these numbers (before the -) must agree with the numbers on the parts list.
- If you find that a part is missing, include the model number of your building and contact:
- Separate contents of the carton by the part number while reviewing parts list. The first few steps show how to join related parts to make larger sub assemblies which will be used later.
- Familiarize yourself with the hardware and fasteners for easier use during construction. These are packaged within the carton. Note that extra fasteners have been supplied for your convenience.

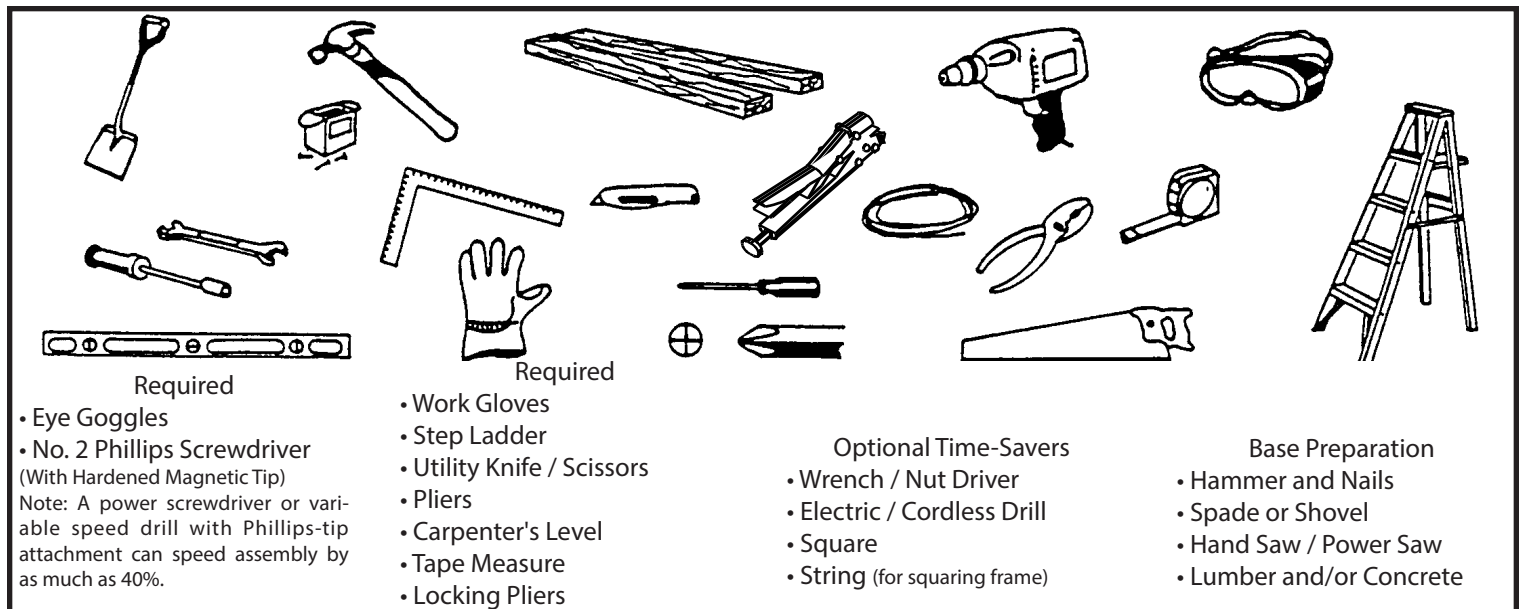
PLAN AHEAD....

BW04

Watch the Weather: Be sure the day you select to install your building is dry and calm. Do not attempt to assemble your building on a windy day. Be careful on wet or muddy ground.

Teamwork: Whenever possible, two or more people should work together to assemble your building. One person can position parts or panels while the other is able to handle the fasteners and the tools.

Tools and Materials: These are some basic tools and materials you will need for the construction of your building. Decide which method of anchoring and the type of base you wish to use in order to form a complete list of the materials you will need.



Selecting and Preparing Your Site: Before assembly, you will want to decide on a location for your building. The best location is a level area with good drainage.

- Allow enough working space for ease of moving parts into position during assembly. Be sure there will be enough space at entrance for doors to open fully and enough space around the building to be able to fasten the panel screws from the outside.

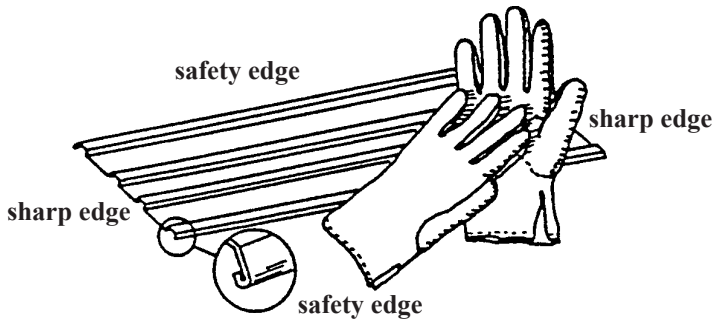
- Before you begin the first steps in assembling your parts, a base should be constructed and an anchoring system should be ready to use.

SAFETY FIRST...

A05a

Safety precautions are important to follow throughout the construction of your building.

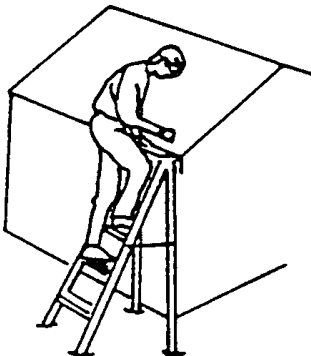
•Care must be taken when handling various pieces of your building since some contain sharp edges. Please wear work gloves, eye protection and long sleeves when assembling or performing any maintenance on your building.



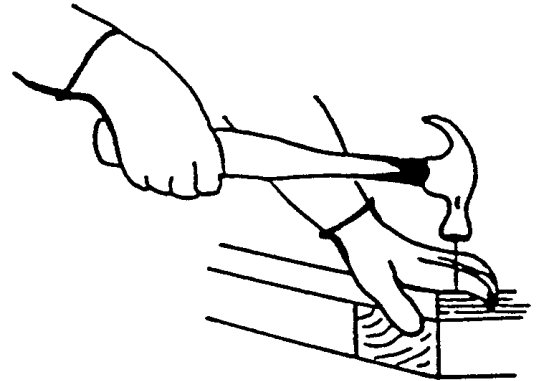
•Keep children and pets away from worksite to avoid distractions and any accidents which may occur.



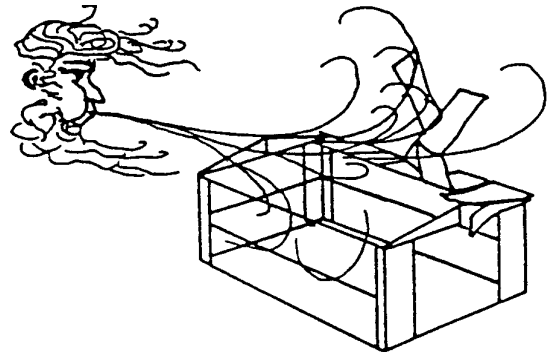
•Never concentrate your total weight on the roof of the building. When using a step ladder make sure that it is fully open and on even ground before climbing on it.



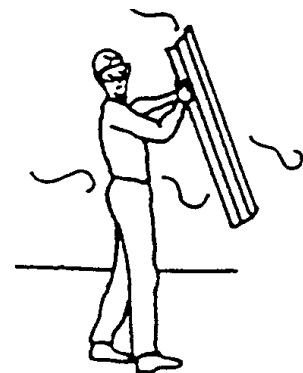
•Practice caution with the tools being used in the assembly of this building. Be familiar with the operation of all power tools.



•Do not attempt to assemble the building if parts are missing because any building left partially assembled may be seriously damaged by light winds.



•Do not attempt to assemble the building on a windy day, because the large panels acting as a "sail", can be whipped about by the wind making construction difficult and unsafe.



CARE & MAINTENANCE....

BW05

Finish: For long lasting finish, periodically clean and wax the exterior surface. Touch-up scratches as soon as you notice them on your unit. Immediately clean the area with a wire brush; wash it and apply touch-up paint per manufacturer's recommendation.

Roof: Keep roof clear of leaves and snow with long handled, soft-bristled broom. Heavy amounts of snow on roof can damage building making it unsafe to enter.

Doors: Always keep the door tracks clear of dirt and other debris that prevent them from sliding easily. Lubricate door track annually with furniture polish or silicone spray. Keep doors closed and locked to prevent wind damage.

Fasteners: Use all washers supplied to protect against weather infiltration and to protect the metal from being scratched by screws. Regularly check your building for loose screws, bolts, nuts, etc. and retighten them as necessary.

Moisture: A plastic sheet (vapor barrier) placed under the entire floor area with good ventilation will reduce condensation.

Other Tips....

- Wash off inked part numbers on coated panels with soap and water.
- Silicone caulking may be used for watertight seals throughout the building.

Do not store swimming pool chemicals in your building. Combustibles and corrosives must be stored in air tight approved containers.

Keep this Owner's Manual and Assembly Instructions for future reference.

Base

BX09

The Base For Your Building

Concrete Slab

The slab should be at least 4" (10,2 cm) thick. It must be level and flat to provide good support for the frame.

The following are the recommended materials for your base.

2 x 4's (38 mm x 89 mm) (will be removed once the concrete cures)

Concrete Sheet of 6 mil plastic

We recommend for a proper strength concrete to use a mix of:

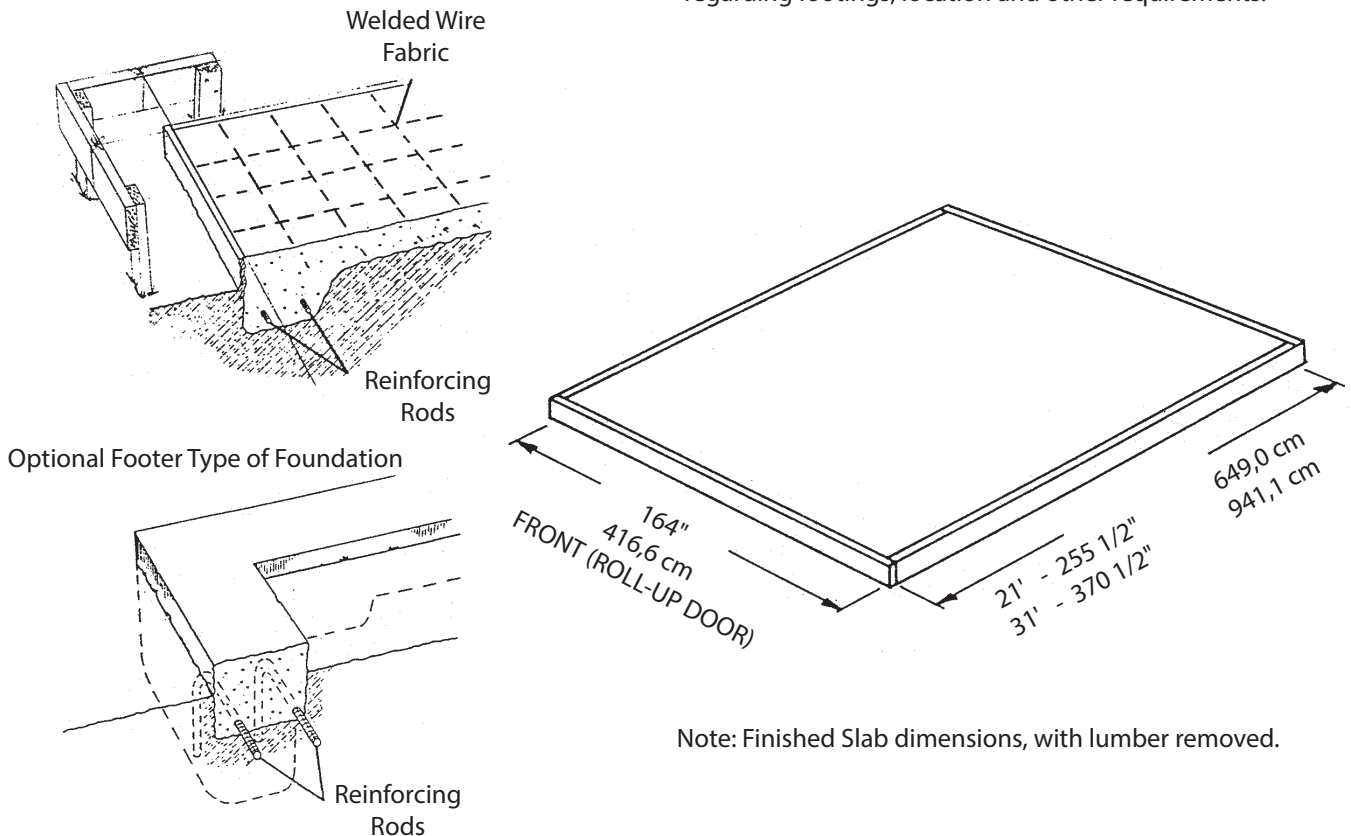
1 part cement 3 parts pea sized gravel 2 1/2 parts clean sand

Prepare the Site/Construct a Base

1. Dig a square, 6" (15,2 cm) deep into the ground (remove grass).
2. Fill up to 4" (10,2 cm) in the square with gravel and tamp firm.
3. Cover gravel with a sheet of 6 mil plastic.
4. Construct a wood frame using four planks of 2x4 (38 mm x 89 mm) lumber.
5. Pour in concrete to fill in the hole and the frame giving a total of 4" (10,2 cm) thick concrete. Be sure surface is level.

Allow 3 - 5 hours for construction and a week for concrete curing time.

Note: Before beginning construction, check local building codes regarding footings, location and other requirements.



Note: Finished Slab dimensions, with lumber removed.

Anchoring

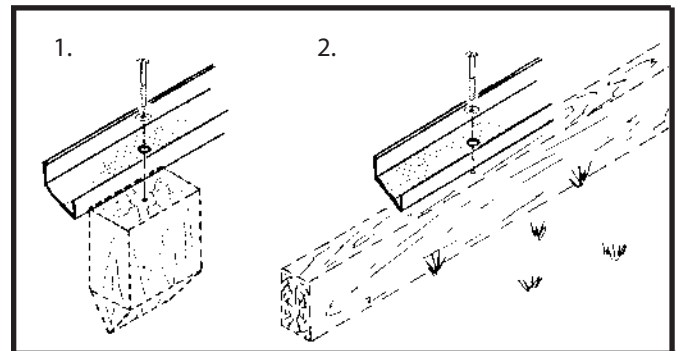
BX10a

Anchoring Down The Building

It is important that the entire floor frame be anchored after the building is erected.
Below are recommended ways of anchoring.

Anchoring into Wood/Post:

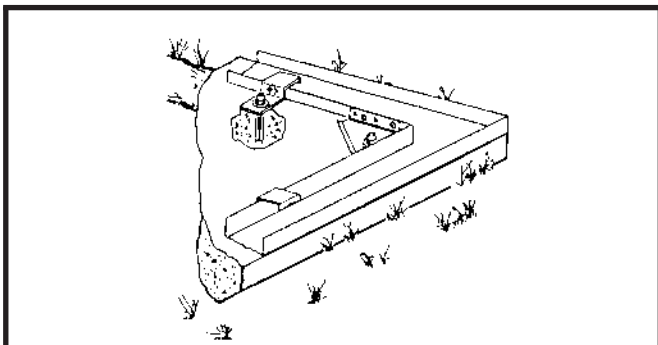
Use 1/4" (6 mm) Wood Screws. There are 1/4" (6 mm) dia. holes provided in the frames for proper anchoring.



Arrow Anchoring Kit: (Model No. AK100 or 68383)

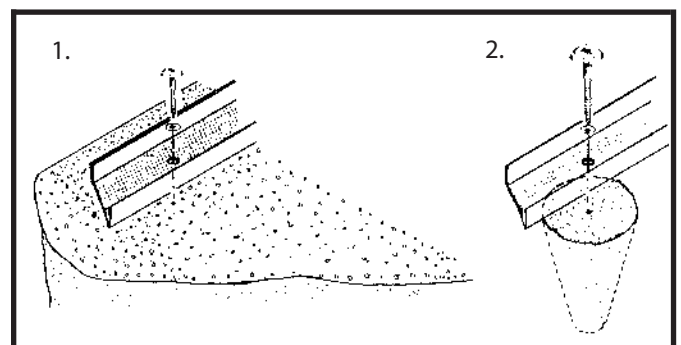
Recommended for use with the concrete base.

Contains: Corner gussets, perimeter clips, hardware, 1/4" masonry drill bit and installation instruction.



Anchoring into Concrete:

1. For poured concrete slab or footing or patio blocks: Use 1/4" x 2" (6 mm x 51 mm) Lag Screws.
2. For Anchor Post of Concrete poured after building is erected: Use 1/4" x 6" (6 mm x 152 mm) Lag Screws.



Hardware for Building

JN10



65101
1/4-20 Square Nut
138 - (14x21: 4,3 m x 6,4 m)
262 - (14x31: 4,3 m x 9,4 m)



65408
#10-32x1/4" (6 mm) Bolts (3)



65958
#8-32x7/8" (22 mm) Bolt (2)



65914
#6Ax7/8" (22 mm) Screw (4)



65989
1/4-20x1 1/2" (13 mm)
Hex Head Bolt
134 - (14x21: 4,3 m x 6,4 m)
258 - (14x31: 4,3 m x 9,4 m)

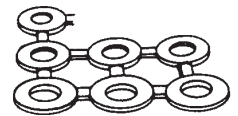


65106
#10-32 Square Nut
545 - (14x21: 4,3 m x 6,4 m)
717 - (14x31: 4,3 m x 9,4 m)



65943
#10-32x7/16" (11 mm) Bolt
542 (14x21: 4,3 m x 6,4 m)
714 (14x31: 4,3 m x 9,4 m)

WASHER KIT



66646
Washer
960 (14x21: 4,3 m x 6,4 m)
1280 (14x31: 4,3 m x 9,4 m)

Remove from bag and save
for Step 24



65004
#8Ax5/16" (8 mm) Screw
786 (14x21: 4,3 m x 6,4 m)
1066 (14x31: 4,3 m x 9,4 m)



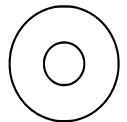
65103
#8-32 Hex Nut (2)



65900A
#10Bx1/2" (13 mm)
Black Screw (4)

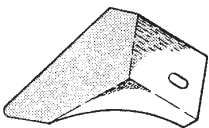


66098
Plastic Spacer (6)

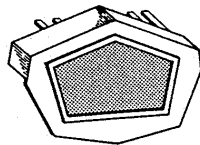


65020
1" Washer (8)

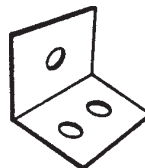
REMAINING HARDWARE PIECES



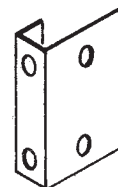
66444
Roof Trim Cap
(2 right & 2 left)



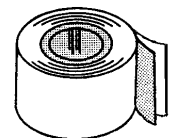
66446 (Arrow Logo)
Peak Cap (2)



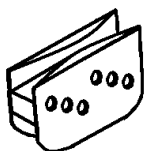
7022
Eave Bracket
4 (14x21: 4,3 m x 6,4 m)
8 (14x31: 4,3 m x 9,4 m)



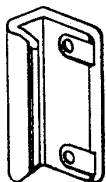
7972
Door Handle
Lock Bracket (1)



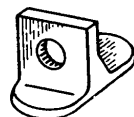
Weather Stripping
67293 (1)
67545:
1 (14x21: 4,3 m x 6,4 m)
2 (14x31: 4,3 m x 9,4 m)



66769
Door Slide (2)



66260
Handle (2)



66382
Lower Door Guide (2)



66464 (4)
1/4-20x1 1/2" (38 mm)
Hex Head Bolt



67488
3/16" x 1 5/16"
(5 mm x 33 mm)
Heavy "S" Hook (2)



30028
Nameplate (1)

Parts List

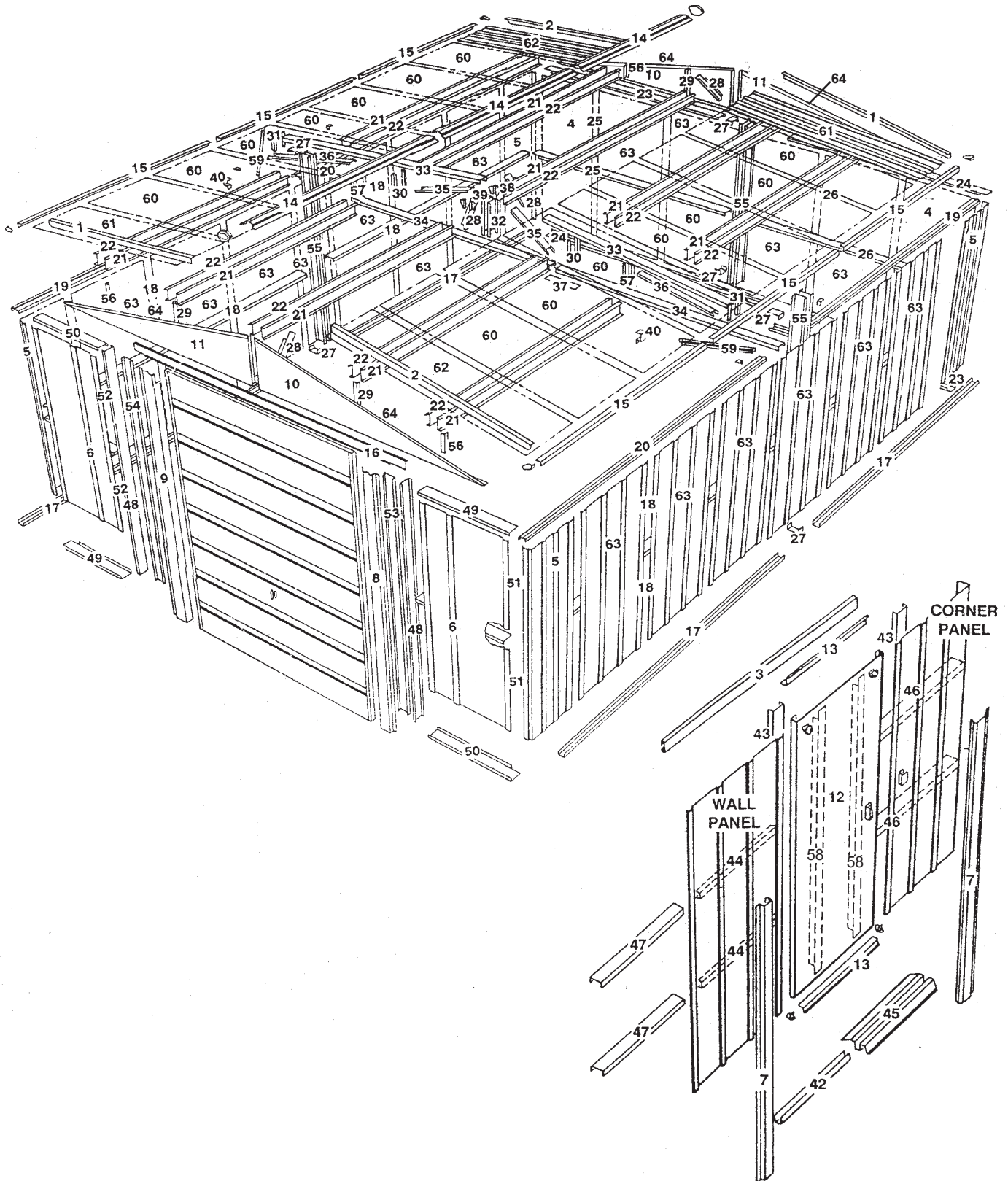
BX12c

Carton #1 through #5 contain parts for a 14x21 (4,3 m x 6,4 m). Page 13 contains the additional parts for a 14x31 (4,3 m x 9,4 m).

Assembly Part Key No.	Part Number	Description	Carton 1	Carton 2	Carton 3	Carton 4	Carton 5
	1	7023	Left Roof Trim	2			
	2	7024	Right Roof Trim	2			
	3	7562	Track	1			
	4	9471	Wall Panel	2			
	5	9472	Corner Panel	4			
	6	9473	Front Wall Panel	2			
	7	9477	Door Jamb	2			
	8	9488	Right Door Jamb	1			
	9	9489	Left Door Jamb	1			
	10	9494	Right Gable	2			
	11	9495	Left Gable	2			
	12	10490	Door	1			
	13	10505	Horizontal Door Brace	2			
	14	9509	Ridge Cap	3			
	15	5220	Side Roof Trim	6			
	16	9474	Lintel		1		
	17	9475	Side Floor Frame		4		
	18	9476	Side Wall Channel		6		
	19	9484	Right Side Eave Channel		2		
	20	9485	Left Side Eave Channel		2		
	21	10456	Right Roof Beam		10		
	22	10457	Left Roof Beam		10		
	23	6938	Rear Frame			2	
	24	6939	Rear Frame			2	
	25	6942	Right Rear Wall Channel			2	
	26	6943	Left Rear Wall Channel			2	
	27	6947	Column Gusset			6	
	28	6954	Gable/Truss Strut			4	
	29	6955	Inner Gable Bracket			4	
	30	6958	Inner Truss Bracket			4	
	31	6959	Outer Truss Bracket			4	
	32	6962	Vertical Brace			2	
	33	6963	Upper Chord			2	
	34	6964	Lower Chord			2	
	35	6965	Inner Diagonal Brace			2	
	36	6966	Outer Diagonal Brace			2	
	37	6967	Splice Plate			1	
	38	7003	Left Shear Plate			2	
	39	7004	Right Shear Plate			2	
	40	7817	Spring Support Bracket			2	
	42	9464	Lower Door Track			1	
	43	9465	Support Column			2	
	44	9466	Wall Channel			2	
	45	9467	Ramp			1	
	46	9468	Corner Door Channel			2	
	47	9469	Side Door Channel			2	
	48	9478	Front Column			2	
	49	9480	Front Frame			2	
	50	9481	Front Frame			2	
	51	9482	Right Front Wall Channel			2	
	52	9483	Left Front Wall Channel			2	
	53	10458	Right Track Support			1	
	54	10459	Left Track Support			1	
	55	9490	Center Column			6	
	56	9496	Outer Gable Bracket			4	
	57	9497	Outer Truss Bracket			4	
	58	9500	Vertical Door Brace			2	
	59	10455	Track Strut			2	
	60	9491	Roof Panel				14
	61	9492	Right Roof Panel				2
	62	9493	Left Roof Panel				2
	63	9470	Wall panel				
	64	69835	Edge Trim (Green)	4			17

Assembly by Key No. 14x21 (4,2 m x 6,5 m)

BX13a



Additional Parts

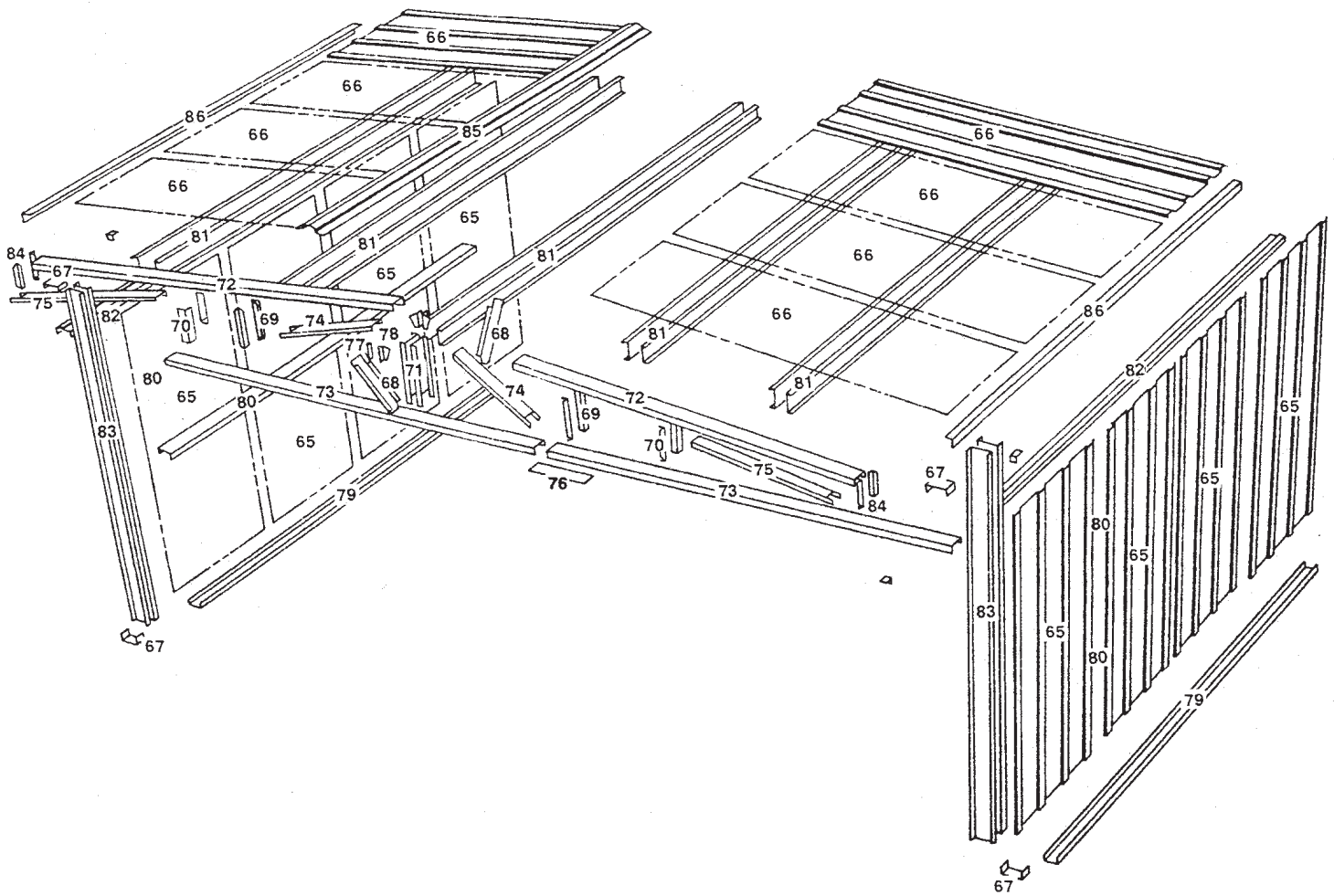
14x31 (4,3 m x 9,4 m)

BX14a






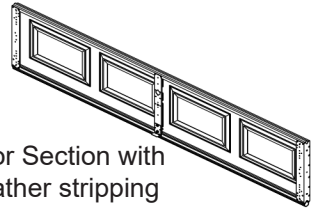
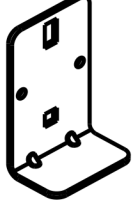
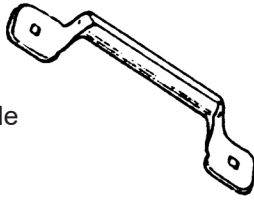
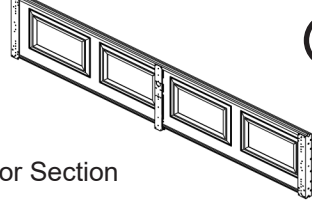
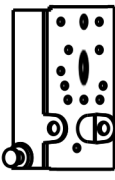
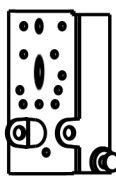
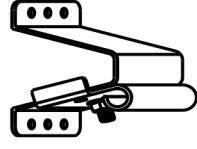
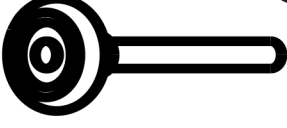
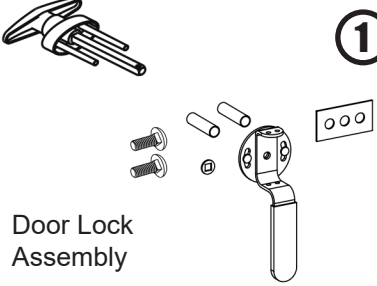
Assembly Part Key No.	Part Number	Description	Carton 6 Door	Carton 7	Carton 8
65	9470	Wall Panel			8
66	9491	Roof Panel			8
67	6947	Column Gusset		4	
68	6954	Gable/Truss Strut		2	
69	6958	Inner Truss Bracket		4	
70	6959	Outer Truss Bracket		4	
71	6962	Vertical Brace		2	
72	6963	Upper Chord		2	
73	6964	Lower Chord		2	
74	6965	Inner Diagonal Brace		2	
75	6966	Outer Diagonal Brace		2	
76	6967	Splice Plate		1	
77	7003	Left Shear Plate		2	
78	7004	Right Shear Plate		2	
79	9460	Side Floor Frame		2	
80	9461	Side Wall Channel		4	
81	9462	Roof Beam		10	
82	9463	Side Eave Channel		2	
83	9490	Center Column		4	
84	9497	Outer Truss Bracket		4	
85	9512	Ridge Cap		1	
86	9513	Side Roof Trim		2	

Assembly by Key No. 14x31 (4,3 m x 9,4 m)

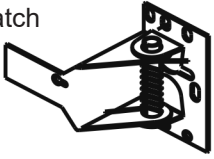

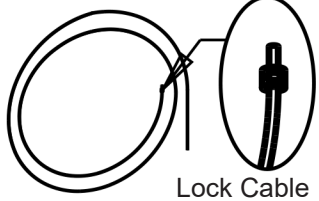


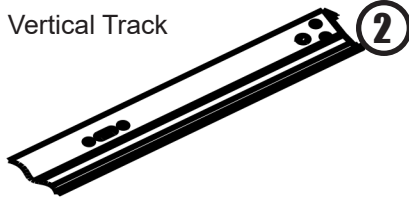
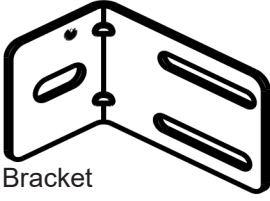
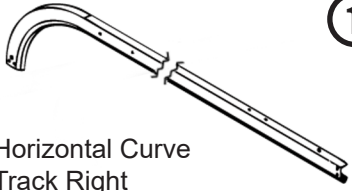
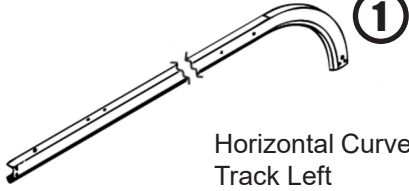
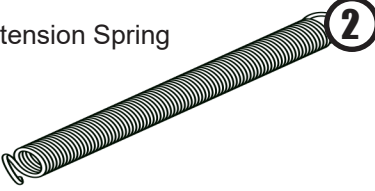
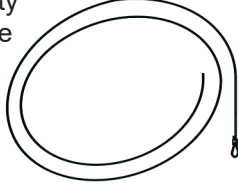
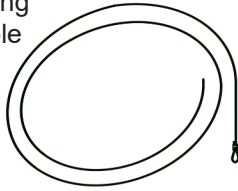

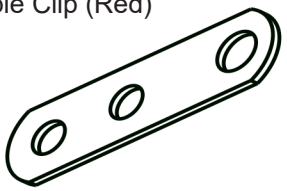

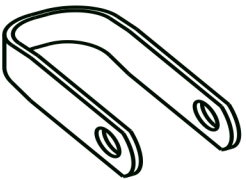
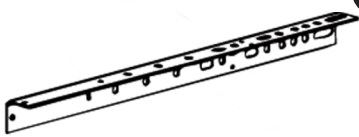
BX15



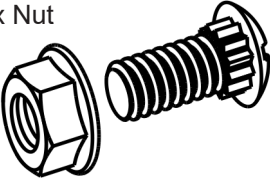
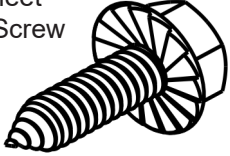
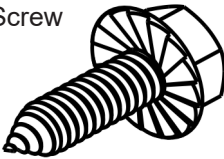
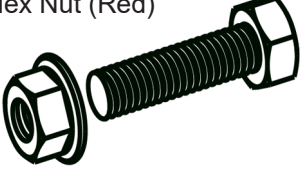
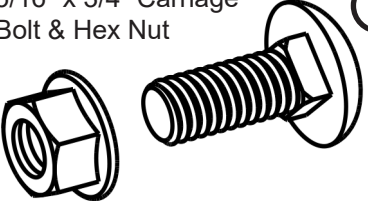
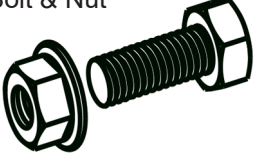
Components for Door

<p>#1 End Hinge</p>  <p>②</p>	<p>#2 End Hinge</p>  <p>②</p>	<p>#3 End Hinge</p>  <p>②</p>
<p>#4 End Hinge</p>  <p>②</p>	<p>#1 Center Hinge</p>  <p>④</p>	<p>Door Section with weather stripping</p>  <p>①</p>
<p>Inside Step Plate</p>  <p>①</p>	<p>Handle</p>  <p>①</p>	<p>Door Section</p>  <p>④</p>
<p>Bottom Fixture Left</p>  <p>①</p>	<p>Bottom Fixture Right</p>  <p>①</p>	<p>Top Fixture</p>  <p>②</p>
<p>Roller</p>  <p>⑫</p>	<p>Door Lock Assembly</p>  <p>①</p>	

Components for Door

<p>Snap Latch ②</p> 	<p>Snap Latch Keeper ②</p> 	<p>①</p>  <p>Lock Cable</p>
<p>Flag Angle Right ①</p> 	<p>Flag Angle Left ①</p> 	<p>Vertical Track ②</p> 
<p>Track Bracket ④</p> 	<p>Horizontal Curve Track Right ①</p> 	<p>Horizontal Curve Track Left ①</p> 
<p>Extension Spring ②</p> 	<p>Safety Cable ②</p> 	<p>Spring Cable ②</p> 
<p>S Hook (Red) ④</p> 	<p>Cable Clip (Red) ②</p> 	<p>Pulley ④</p> 
<p>Clevis ②</p> 	<p>Horizontal Angle Bracket ②</p> 	

Hardware for Door

<p>1/4" x 5/8" Track Bolt & Hex Nut</p>  <p>20</p>	<p>1/4" Sheet Metal Screw</p>  <p>60</p>
<p>1/4" Sheet Metal Screw (Red)</p>  <p>6</p>	<p>3/8" x 1-1/2" Bolt & Hex Nut (Red)</p>  <p>4</p>
<p>5/16" x 3/4" Carriage Bolt & Hex Nut</p>  <p>2</p>	<p>5/16-18 x 3/4" Hex Bolt & Nut</p>  <p>2</p>

**ALL RED HARDWARE IS UNDER TENSION
ONCE DOOR IS ASSEMBLED. DO NOT
REMOVE FROM ASSEMBLY UNTIL DOOR IS
PROPERLY SECURED.**

Step 1

BX16

Parts Needed For Truss Assembly

6947 Column Gusset (2)
6964 Lower Chord (2)
6963 Upper Chord (2)
7022 Eave Bracket (4)
6962 Vertical Brace (2)
7004 Right Shear Plate (2)
7003 Left Shear Plate (2)

6965 Inner Diagonal Brace (2)
6958 Inner Truss Bracket (4)
6966 Outer Diagonal Brace (2)
6959 Outer Truss Bracket (4)
9497 Outer Truss Bracket (4)
6967 Splice Plate (1)

1 Assemble 1/2 truss at a time. Attach column gusset to lower chord securely using #1/4-20x1/2" (13 mm) hex head bolts and square nuts. All other connections are to be made loosely.

2 Fasten lower chord to upper chord and eave bracket to upper chord.

3 Fasten vertical brace to lower chord.

4 Fasten right shear plate and left shear plate to vertical brace and upper chord.

5 Fasten inner diagonal brace to upper chord and lower chord.

6 Fasten 2 inner truss brackets to upper chord and lower chord and inner diagonal brace as shown.

7 Fasten outer diagonal brace to upper chord and lower chord.

8 Fasten 2 outer truss brackets to upper chord, lower chord and outer diagonal brace.

9 Fasten 2 outer truss brackets to upper and lower chords.

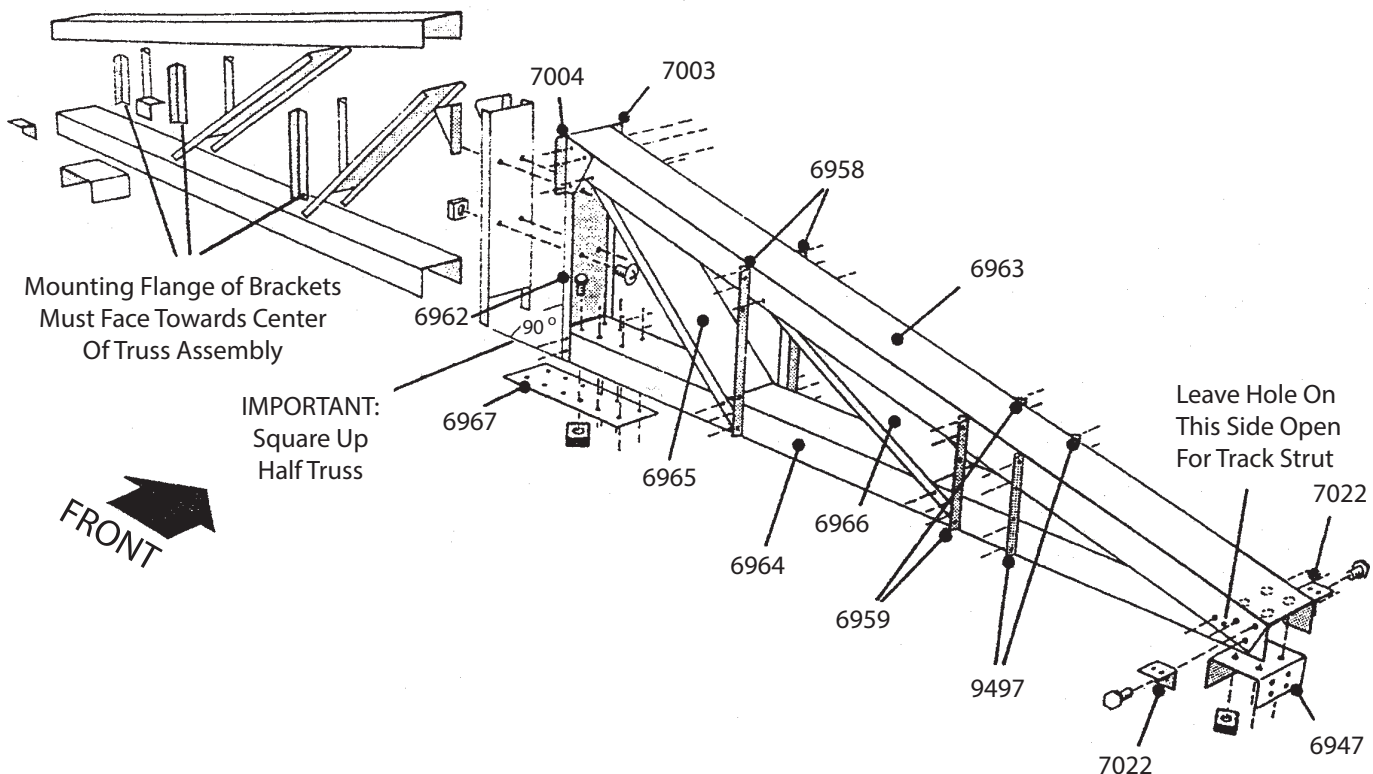
10 Square up 1/2 truss, adjust and tighten all fasteners.

11 Assemble the other half of truss.

12 Splice both halves together with the splice plate and join with (4) #10-32x7/16" (11 mm) bolts and square nuts through vertical brace.

Make 1 assembly for the 14x21 (4,3 m x 6,4 m).

Make 2 assemblies for the 14x31 (4,3 m x 9,4 m).



Step 2

BX17a

Parts Needed For Gables/Column Assemblies

9494 Right Gable (2)
9495 Left Gable (2)
6955 Inner Gable Bracket (4)
9496 Outer Gable Bracket (4)
9490 Center Column (6 14x21: 4,3 m x 6,4 m) (10 14x31: 4,3 m x 9,4 m)
69835 Edge Trim (Green) (4)

The gables go on top of the front and rear walls to support the roof beams. The center columns support the truss and the framework.

NOTE

The gables are packed nested together and might be mistaken as one piece. Carefully separate them before continuing.

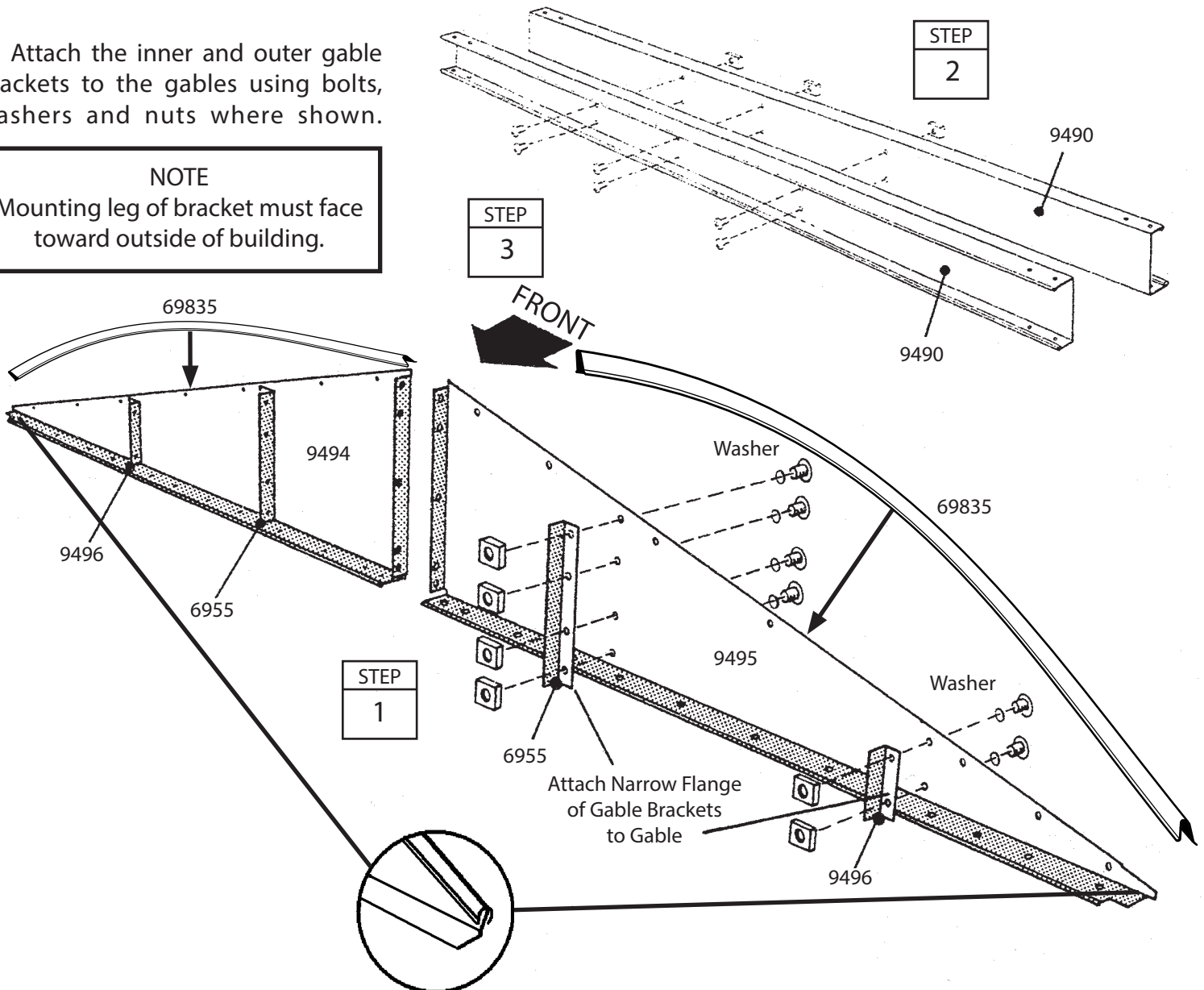
1 Attach the inner and outer gable brackets to the gables using bolts, washers and nuts where shown.

NOTE

Mounting leg of bracket must face toward outside of building.

2 Align the holes on the center columns back to back and fasten together using 6 bolts and nuts. Make 3 assemblies for the 14x21 (4,3 m x 6,4 m). Make 5 assemblies for the 14x31 (4,3 m x 9,4 m).

3 Set these pieces aside for later assembly.



Step 3

BX18

Parts Needed For Roof Beam Assemblies

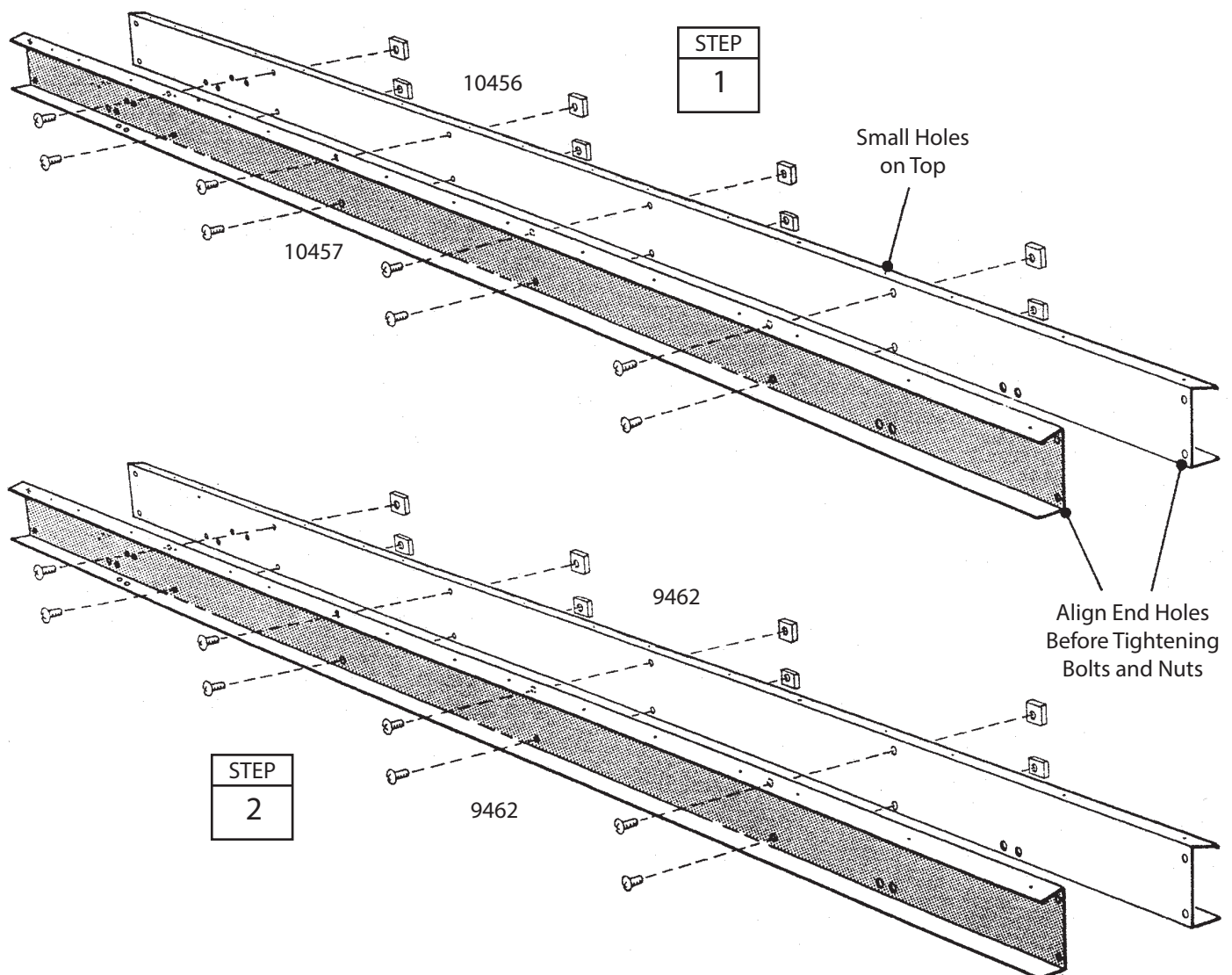
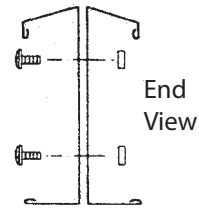
10456 Right Roof Beam (10)
10457 Left Roof Beam (10)
9462 Roof Beam (10 14x31: 4,3 m x 9,4 m)

The roof beams join the gables to the truss and supports the roof panels.

1 Align the holes on a left and right roof beam back-to-back and fasten together using 8 bolts and nuts. Make 10 assemblies.

2 On the 14x31 (4,3 m x 9,4 m) fasten roof beams together in the same manner. Make 5 assemblies.

Assembled



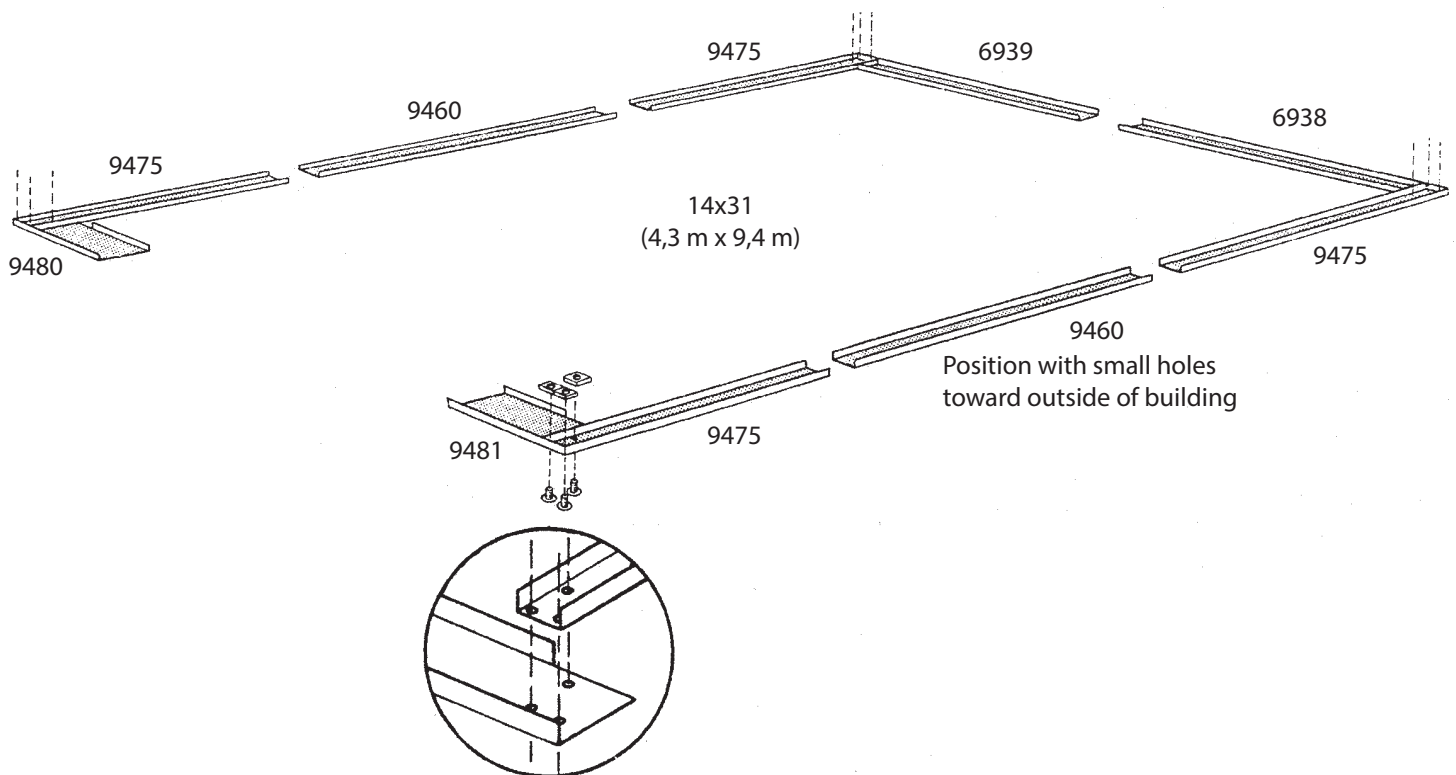
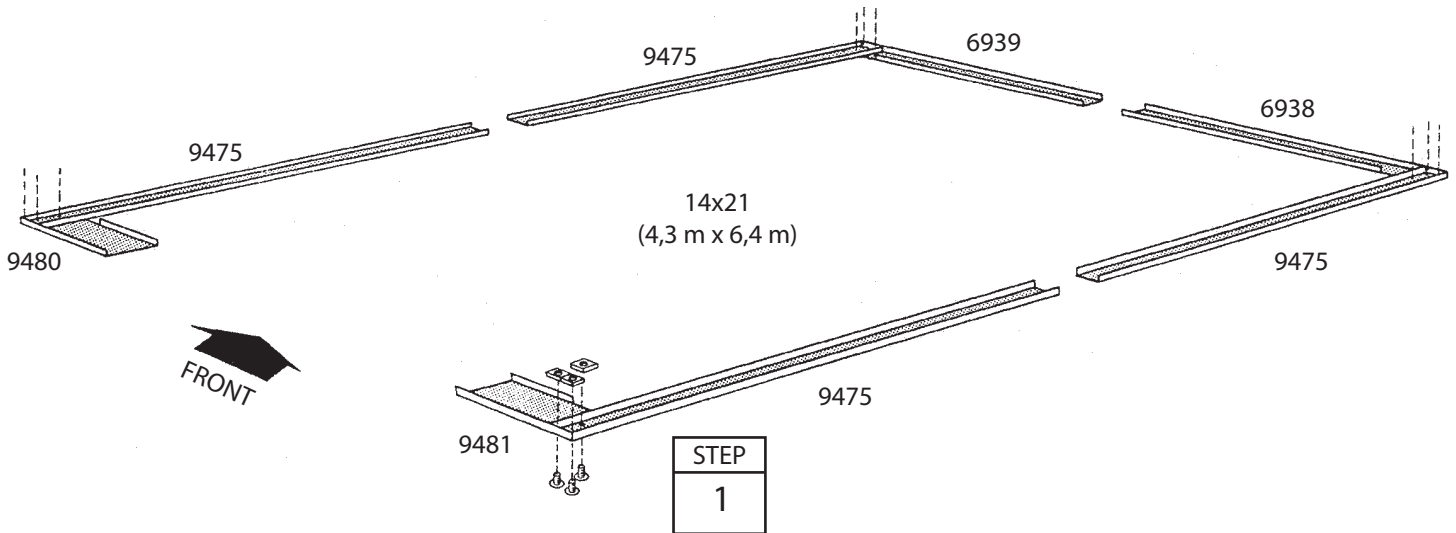
Step 4

BX19

Parts Needed For Floor Frame Assembly

9481 Front Frame (1)
9480 Front Frame (1)
9475 Side Floor Frame (4)
6939 Rear Frame (1)
6938 Rear Frame (1)
9460 Side Floor Frame (2 14x31: 4,3 m x 9,4 m)

1 Place the floor frame pieces on the foundation. Assemble the 4 corners of the floor frame using 3 bolts from the bottom with nuts on top at each corner as shown.



Step 5

BX20

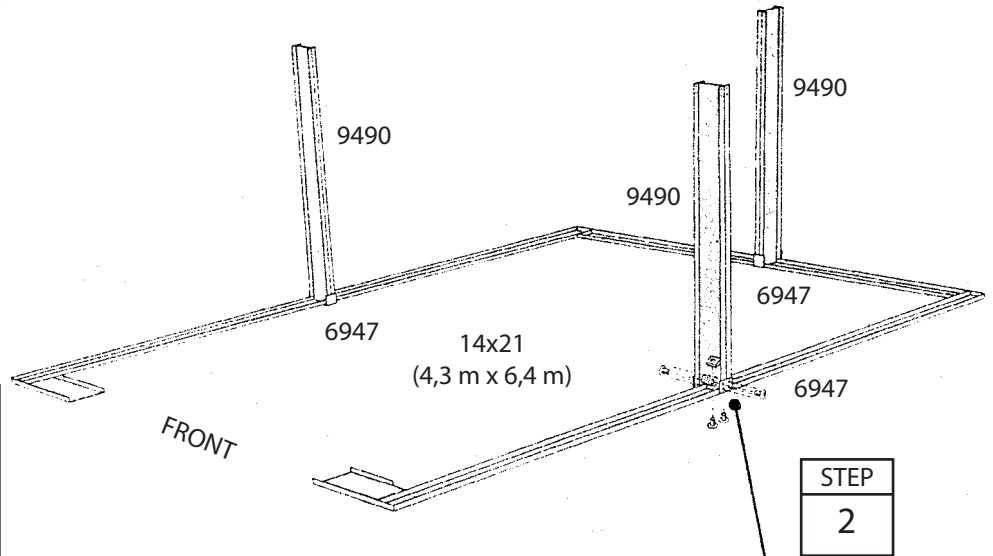
Parts Needed For Gusset/Center Column

6947 Column Gusset (3 14x21: 4,3 m x 6,4 m)
(5 14x31: 4,3 m x 9,4 m)
Center Column Assembly (3 14x21: 4,3 m x 6,4 m)
Center Column Assembly (5 14x31: 4,3 m x 9,4 m)

1 Fasten side floor frames together with a column gusset using 2 bolts from the bottom and nuts on top. At rear of building, repeat procedure.

2 Position center column assemblies where floor frames are joined and fasten to gusset with 8 bolts.

Repeat procedure on sides of building for the 14x31 (4,3 m x 9,4 m).



NOTE

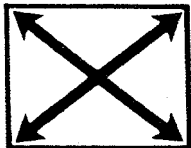
Support center columns with stakes or other means until wall panels are attached.

3 Measure the floor frame diagonally. When the diagonal measurements are equal, the floor frame is square.

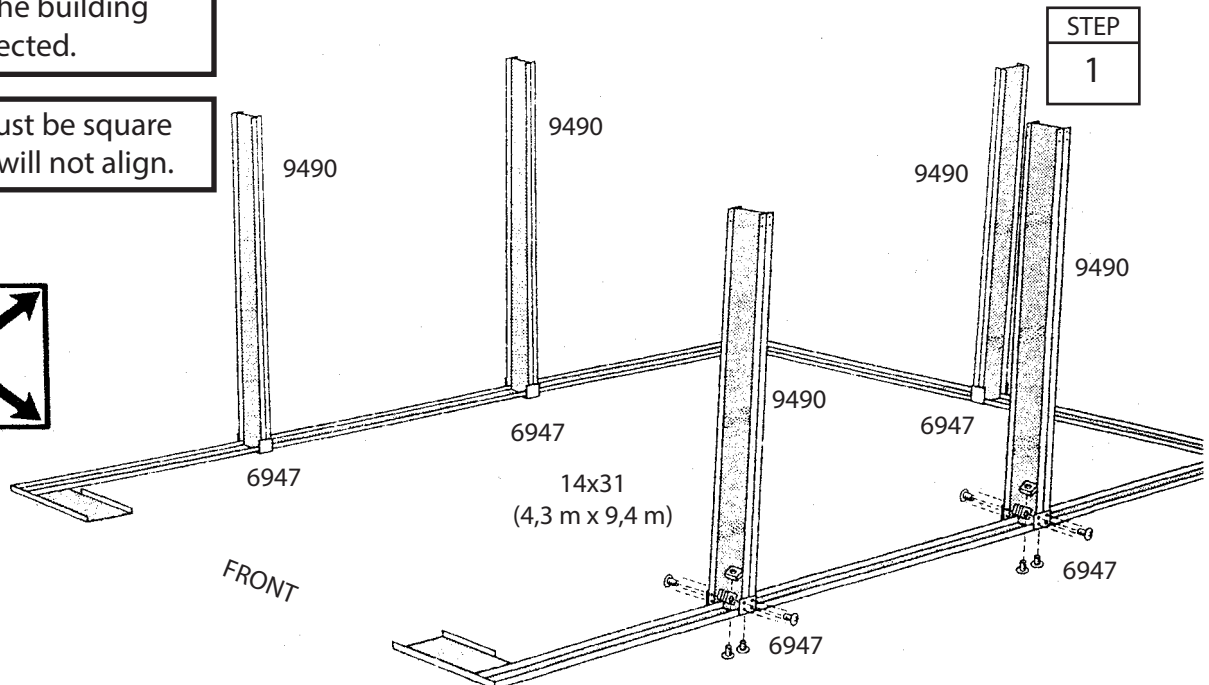
NOTE

Do not fasten the floor frames to your foundation at this time. You will anchor the building after it is erected.

The floor frame must be square and level or holes will not align.



STEP
3



Step 6

BX21

Parts Needed For Corners

9471 Wall Panel (2)
9473 Front Wall Panel (2)
9472 Corner Panel (4)

NOTE

The remainder of the building assembly requires many hours and more than one person. Tie down and support assembly before the end of the work day. A partially assembled building can be severely damaged by light winds.

Each screw and bolt in the wall requires a washer.

1 Position a corner panel at the corner of the floor frame as shown. The widest part of each corner panel must be placed along the side of the building for all 4 corners. Fasten the corner panel to the floor frame with 4 screws.

Support the corner panel with a step ladder until a wall panel is attached.

2 Attach the front wall panels to the front corner panels, as shown.

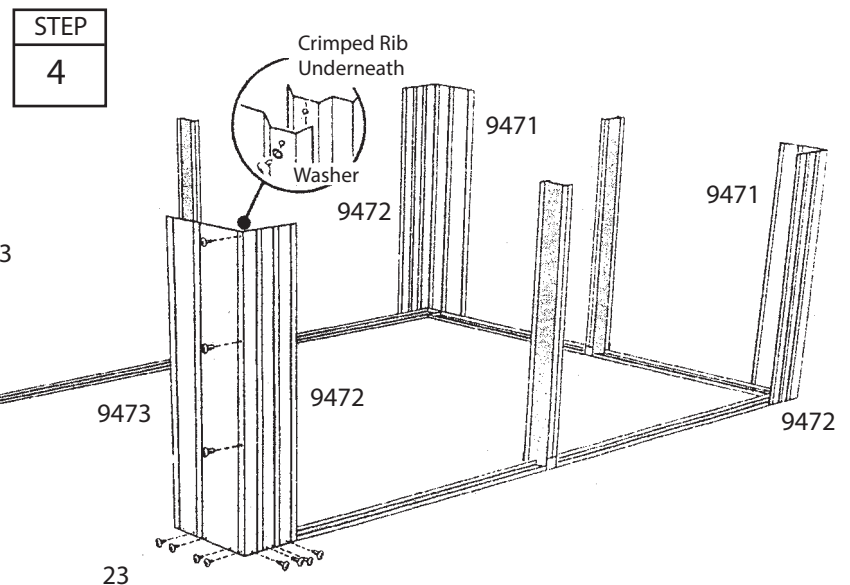
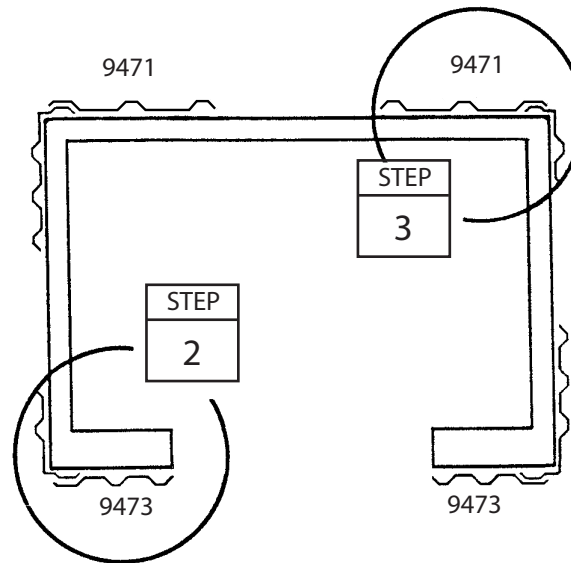
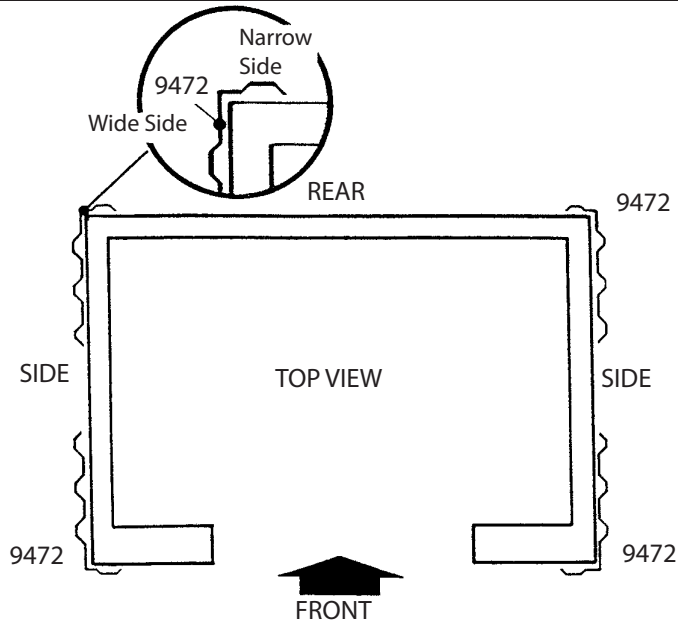
3 Attach the wall panels to the rear corner panels, as shown.

NOTE

Be careful to install the correct panel in each position as shown.

4 Double-check the part numbers of the wall panels, before proceeding.

The floor frame must be square and level or holes will not align.



Step 7

BX22

Parts Needed For Mid Frames

9482 Right Front Wall Channel (2)
 9483 Left Front Wall Channel (2)
 9476 Side Wall Channel (6)
 6942 Right Rear Wall Channel (2)
 6943 Left Rear Wall Channel (2)

9465 Support Column (2)
 9469 Side Door Channel (2)
 9468 Corner Door Channel (2)
 9461 Side Wall Channel
 (4 14x31: 4,3 m x 9,4 m)

The mid frame pieces give rigidity to the sides and rear wall.

5 Install support column to side floor frame and side door channel fastening channel to center column. Install 2nd support column to side floor frame and corner door channel. Fasten channel to corner panel and left rear wall channel.

NOTE

Before installing side wall channels decide at which location you want the side entrance door. Do not install the 1x4 (2,5 cm x 10,2 cm) side wall channels at 1 of the 4 corner locations.

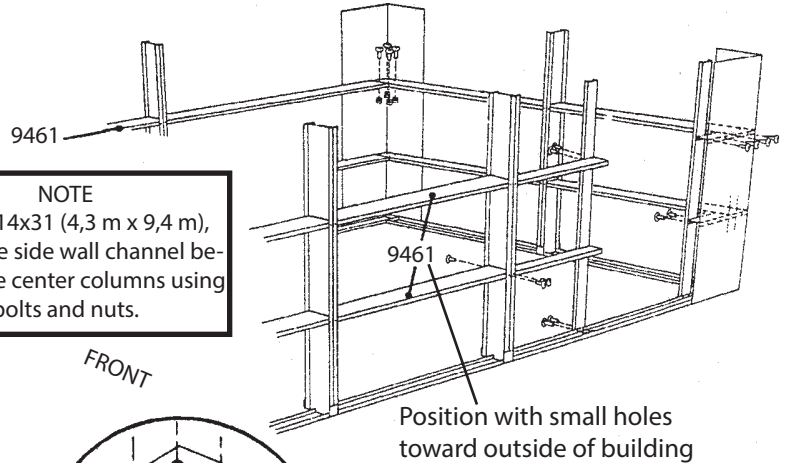
1 Fasten side wall channels to center columns using 2 bolts and to corner panels using 4 screws.

2 Overlap with the right and left front wall channels and fasten to front wall panel using 3 screws. Do not fasten hole nearest door opening.

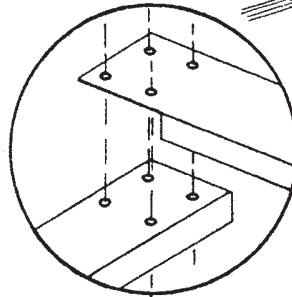
3 Overlap with right and left rear wall channels and fasten to column and wall panel.

4 Fasten overlaps using 4 bolts and nuts in each corner assembly.

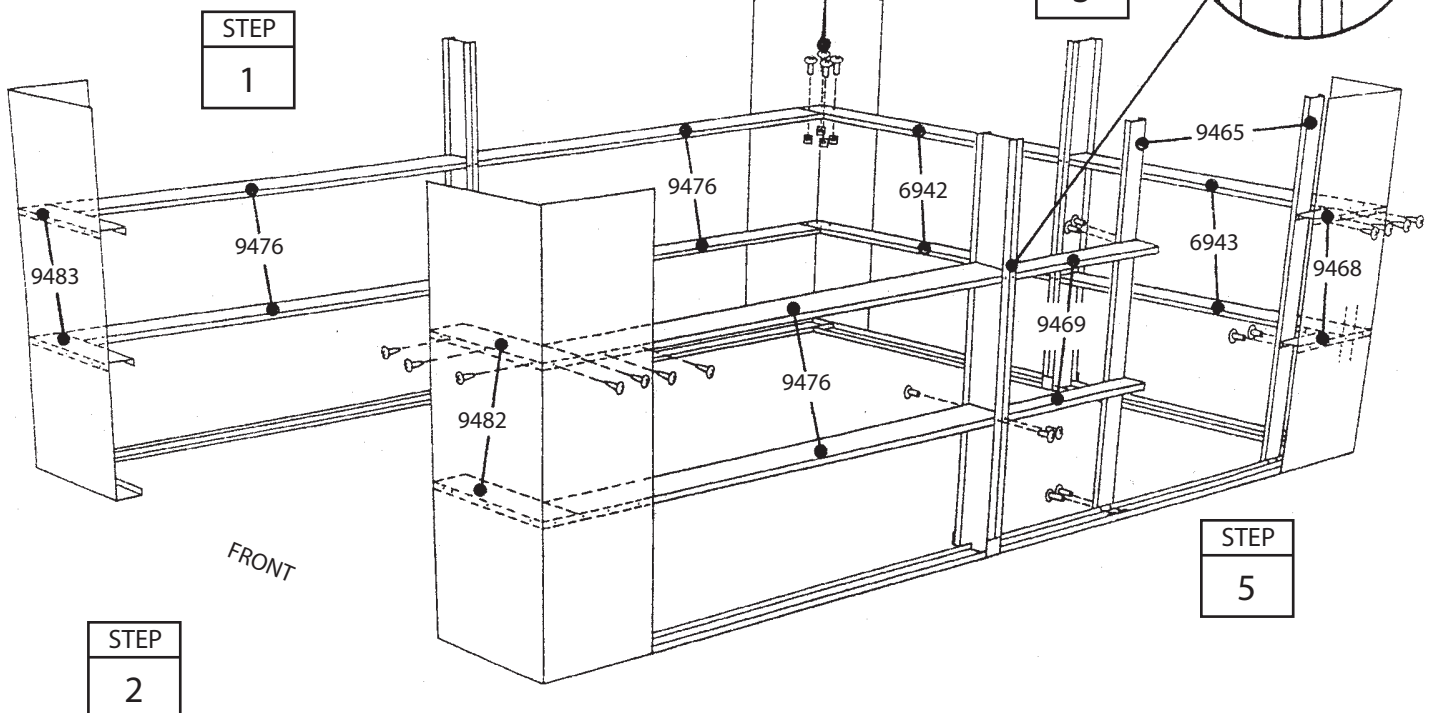
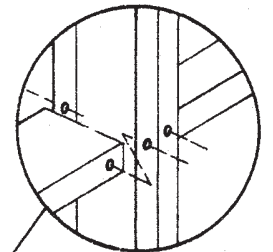
NOTE
 On the 14x31 (4,3 m x 9,4 m), attach the side wall channel between the center columns using bolts and nuts.



STEP
 4



STEP
 3



Step 8

BX23

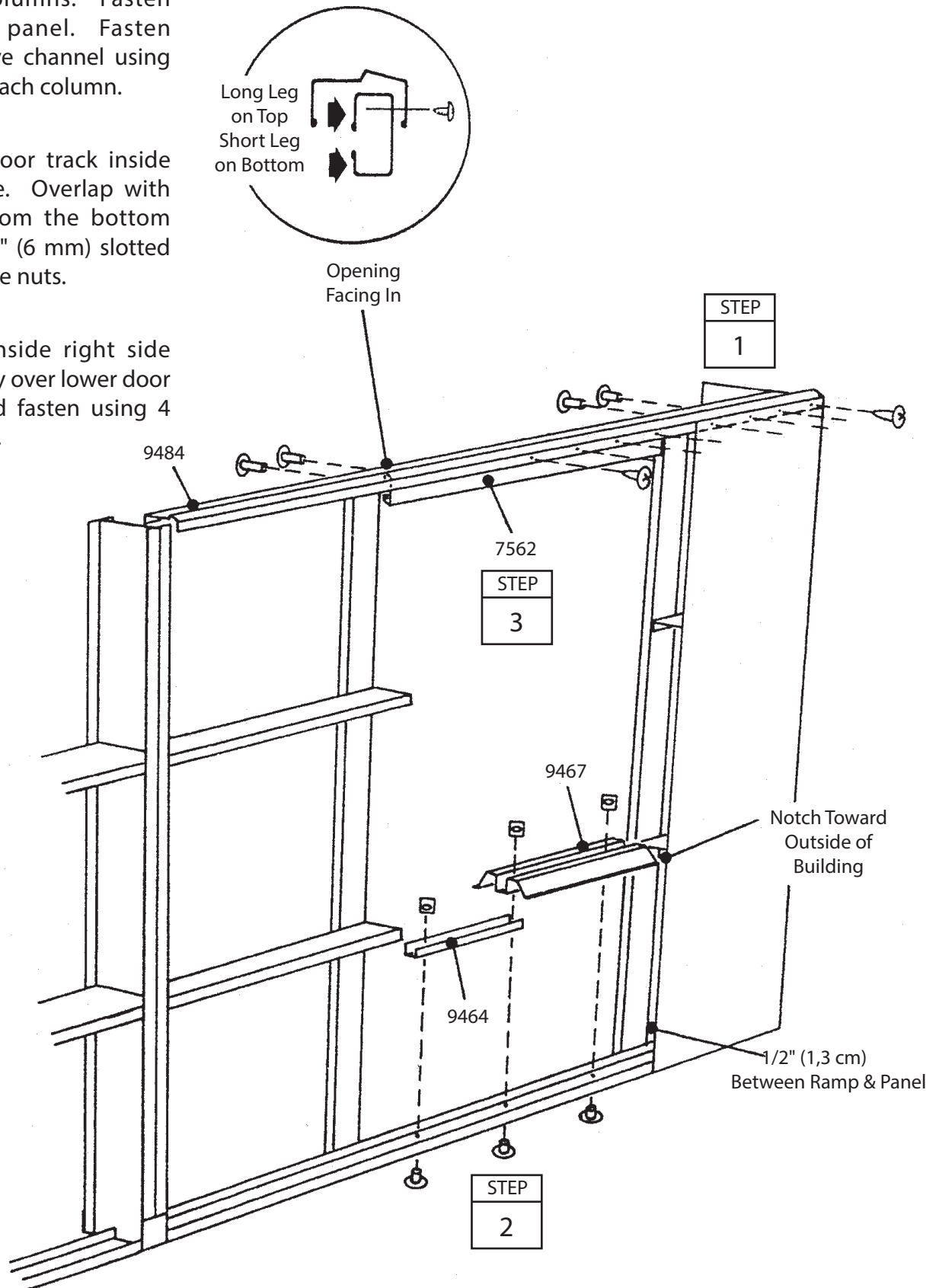
Parts Needed For Side Door Frames

9484 Right Side Eave Channel (1)
7562 Track (1)
9467 Ramp (1)
9464 Lower Door Track (1)

1 Position right side eave channel against support columns. Fasten channel to corner panel. Fasten columns to side eave channel using 2 bolts and nuts on each column.

2 Position lower door track inside the side floor frame. Overlap with ramp and fasten from the bottom using (3) #10-32x1/4" (6 mm) slotted head bolts and square nuts.

3 Position track inside right side eave channel, directly over lower door track and ramp, and fasten using 4 screws where shown.



Step 9

BX24

Parts Needed For Front/Rear Frames

9474 Lintel (1)
9481 Front Frame (1)
9480 Front Frame (1)
9478 Front Column (2)
6947 Column Gusset (1)
6938 Rear Frame (1)
6939 Rear Frame (1)

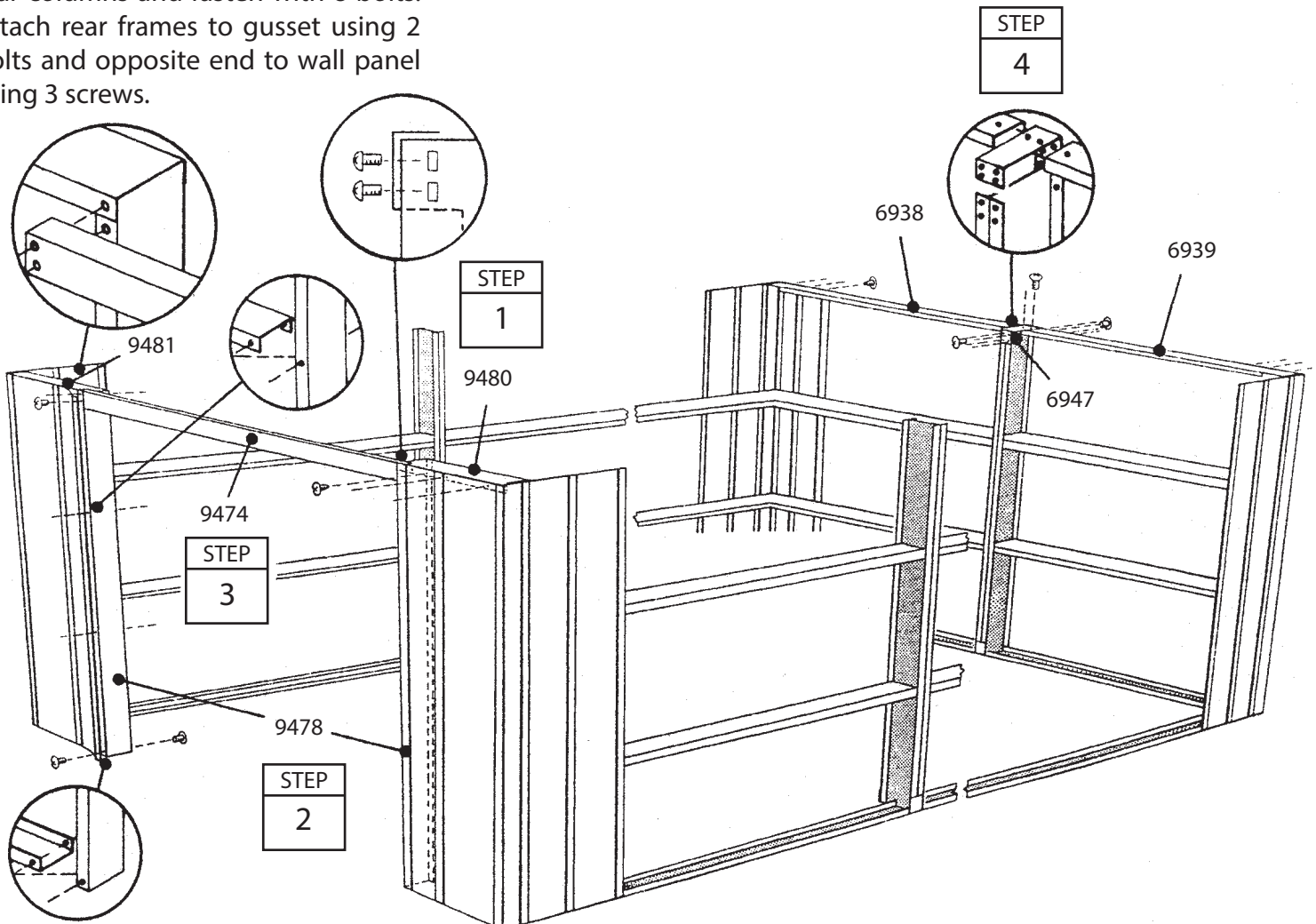
1 Fasten front frames at the top to front wall panels with 3 screws. Do not fasten hole nearest door opening at this time.

2 Fasten front columns to the frame at bottom and channel with 2 bolts.

Hint: Pull front wall panel slightly away to tighten bolts.

3 Position lintel across top of front frames and fasten with 2 bolts and nuts on both sides.

4 Position column gusset over rear columns and fasten with 8 bolts. Attach rear frames to gusset using 2 bolts and opposite end to wall panel using 3 screws.



Step 10

BX25

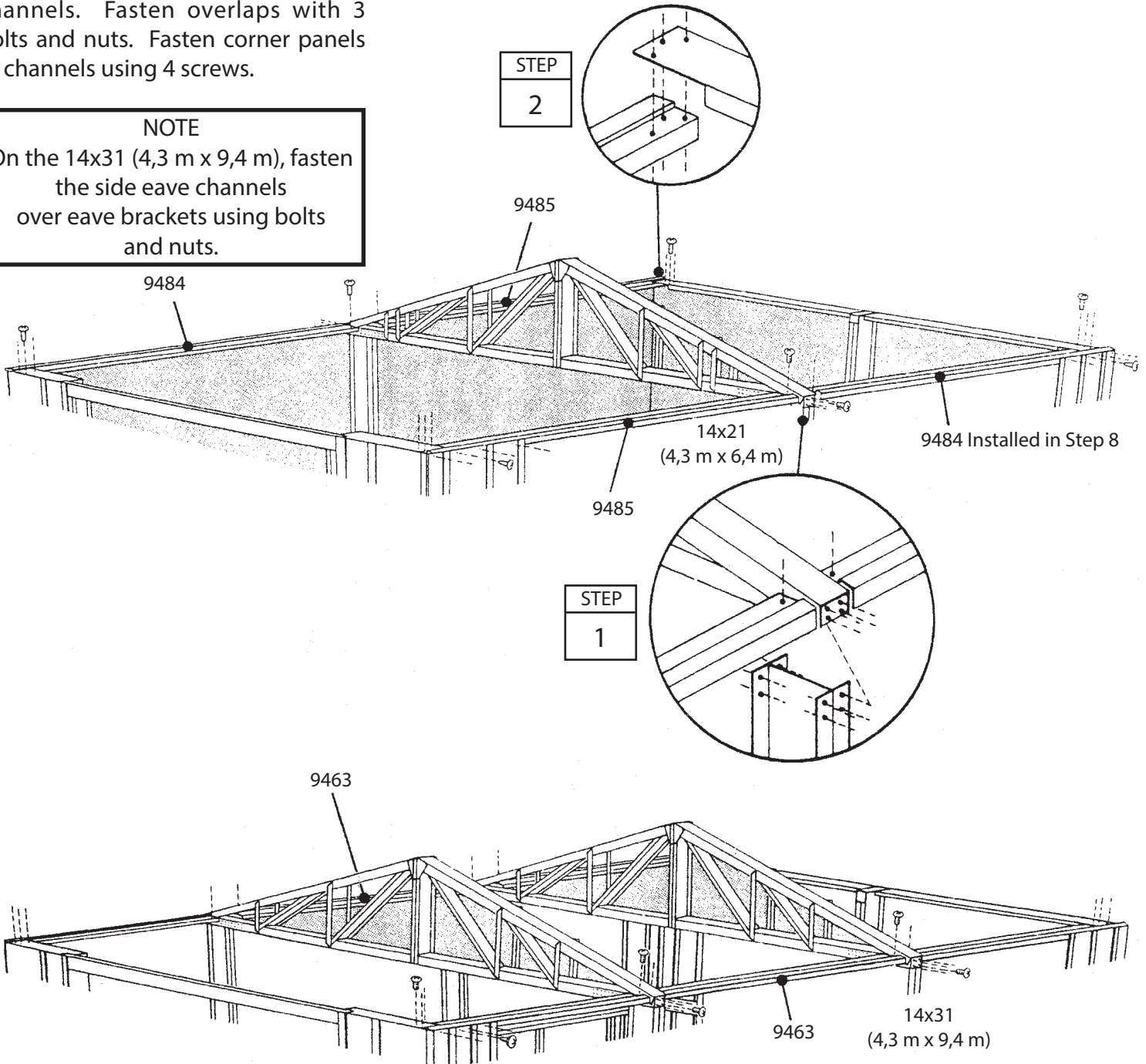
Parts Needed For Truss/Top Frames

Truss Assembly (1 14x21: 4,3 m x 6,4 m)
(2 14x31: 4,3 m x 9,4 m)
9484 Right Side Eave Channel (2)
9485 Left Side Eave Channel (2)
9463 Side Eave Channel (2 14x31: 4,3 m x 9,4 m)

1 Position Truss Assembly on building by sliding column gussets over center columns and fasten with 8 bolts and nuts on each gusset.

2 Position right and left side eave channels over eave brackets and fasten with a bolt and nut. Front and rear frames overlap side eave channels. Fasten overlaps with 3 bolts and nuts. Fasten corner panels to channels using 4 screws.

NOTE
On the 14x31 (4,3 m x 9,4 m), fasten the side eave channels over eave brackets using bolts and nuts.



Step 11

BX26

Parts Needed For Walls Panels/Track Supports

9470 Wall Panel (17 14x21: 4,3 m x 6,4 m)
(8 14x31: 4,3 m x 9,4 m)

10458 Right Track Support (1)

10459 Left Track Support (1)

Each wall panel has a crimped rib on 1 side. The crimped rib should go under the rib of the panel that follows it.

1 Fasten the wall panels at the top and bottom with screws.

2 Fasten the center of each panel to the wall channel with screws. Fasten overlapping ribs using screws and bolts with nuts.

3 When you have attached all wall panels in the correct positions, the building will look like this.

4 Fasten right and left track supports to the front columns using 5 bolts from the inside and nuts outside.

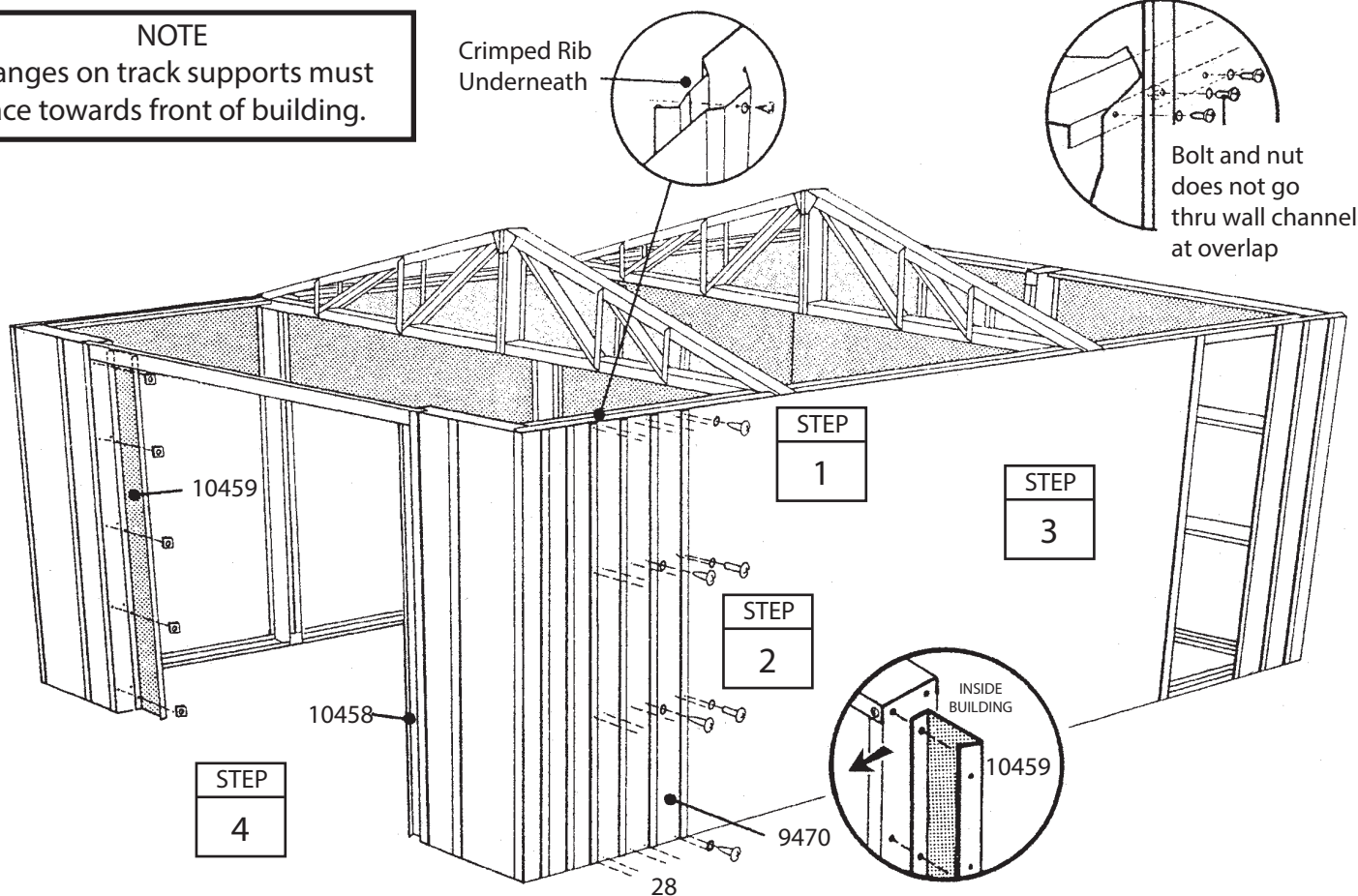
NOTE

Flanges on track supports must face towards front of building.

Crimped Rib Underneath

Detail Showing
Center of Panel Screwed
to Wall Channel

Bolt and nut
does not go
thru wall channel
at overlap



Step 12

BX27

Parts Needed For Wall Channel/Door Jamb

9477 Door Jamb (2)
9466 Wall Channel (2)

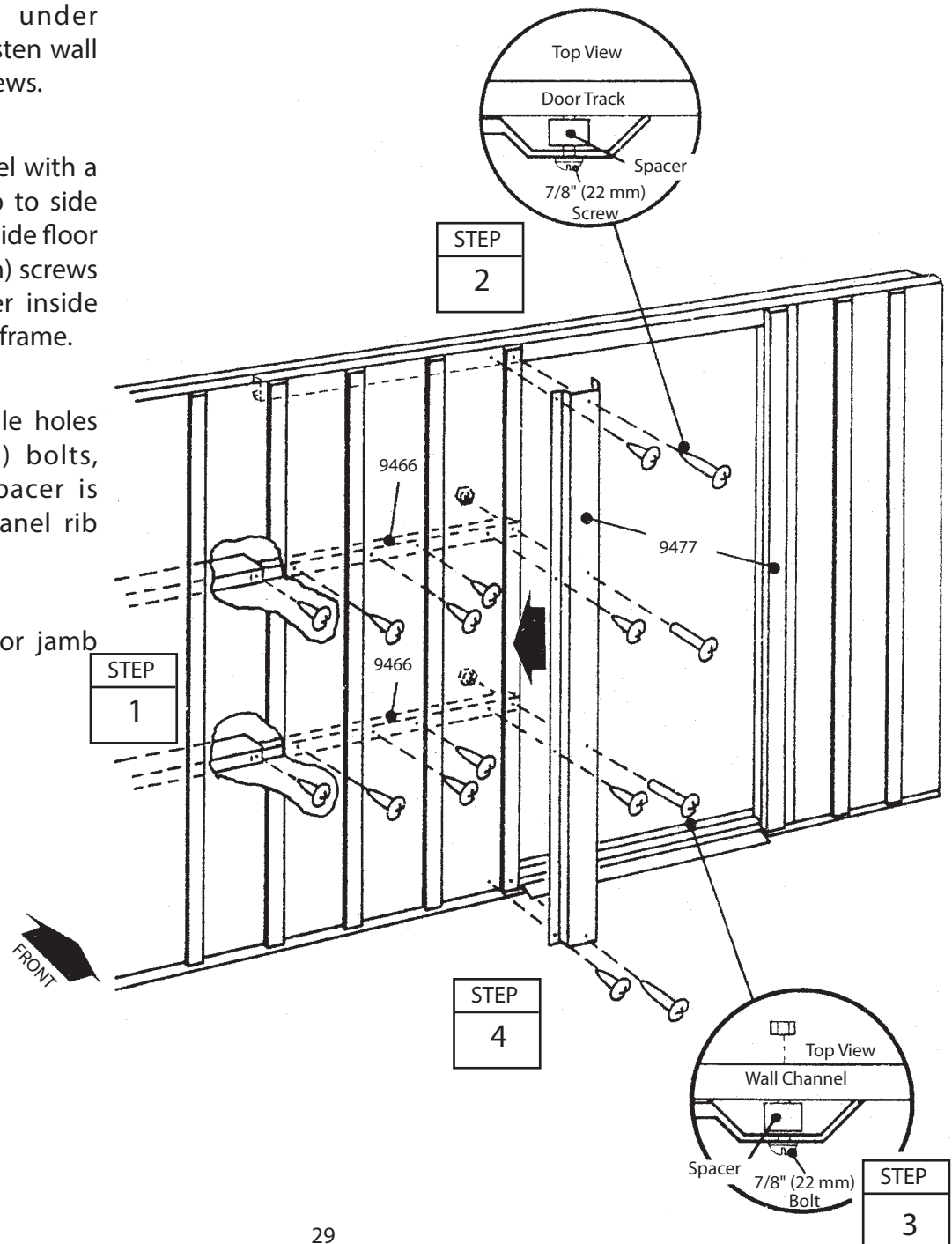
The door jambs reinforce the door opening and provide an attractive trim. Follow these steps for both door jambs.

1 Place wall channels behind wall panel, large hole towards door opening. Loosen wall panel and fasten wall channels to side wall channels using 1 screw, under panel. Replace panel and fasten wall channels to panel using 3 screws.

2 Overlap the rib of wall panel with a door jamb and fasten at top to side eave channel and bottom to side floor frame using #6Ax7/8" (22 mm) screws and spacers. Position spacer inside wall panel rib and channel or frame.

3 Fasten door jamb at middle holes using #8-32x7/8" (22 mm) bolts, spacers and hex nuts. Spacer is positioned between wall panel rib and wall channel.

4 Fasten outer flange of door jamb to wall panel using 4 screws.



Step 13

BX28

Parts Needed For Gable/Roof Beams

Right Gable Assembly (1)
Roof Beam Assembly (2)

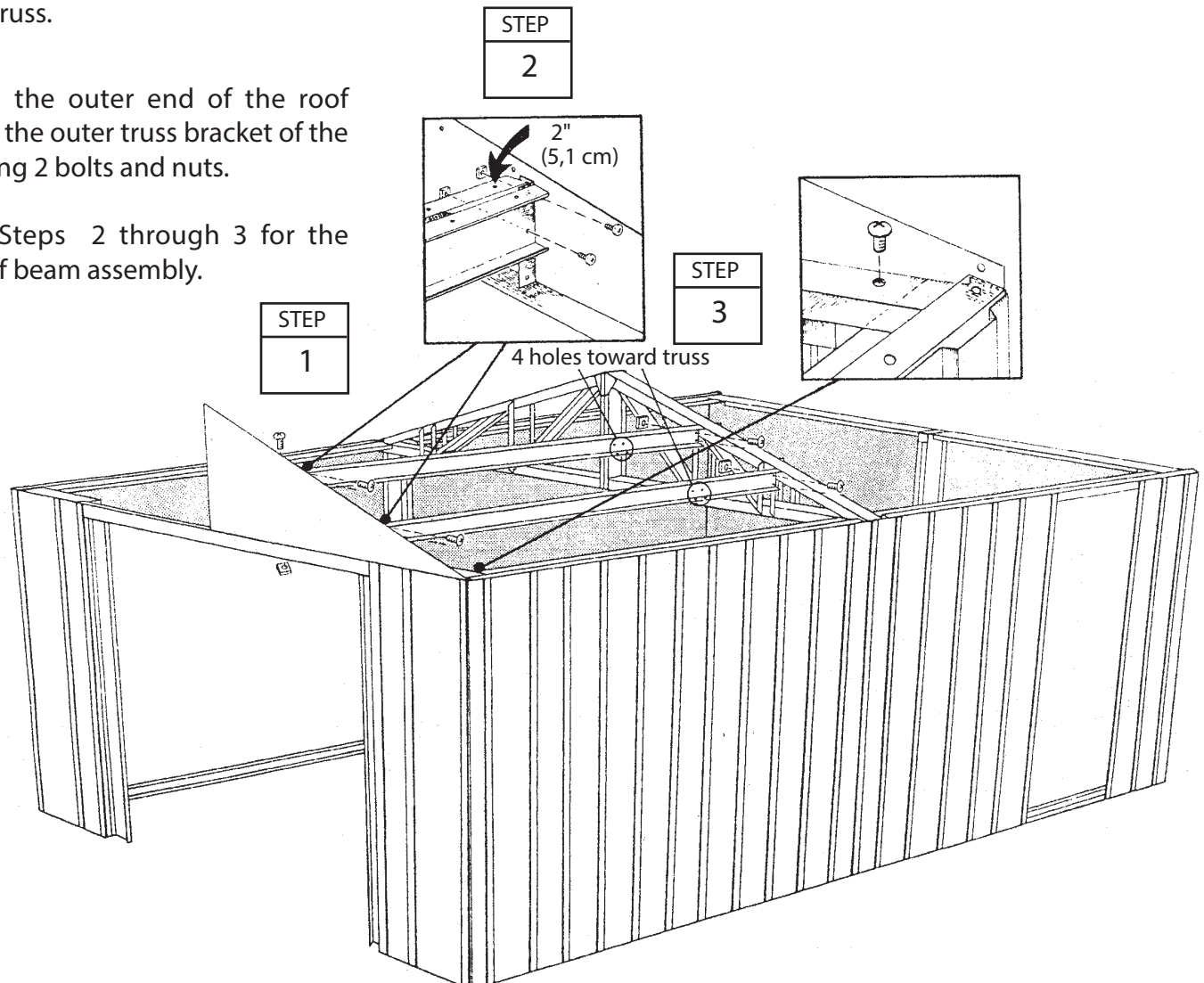
1 Lift and fasten a right gable assembly at top of lintel using bolts and nuts.

2 Spread the 2 halves of a roof beam assembly and fasten the roof beam to the outer gable bracket using 2 bolts and nuts.

Hint: The holes along the length of the beam must be on the top surface and 4 hole cluster must be fastened toward truss.

3 Fasten the outer end of the roof beam to the outer truss bracket of the truss using 2 bolts and nuts.

Repeat Steps 2 through 3 for the next roof beam assembly.



Step 14

BX29

Parts Needed For Gables/Roof Beams

Roof Beam Assembly (8)
Left Gable Assembly (2)
Right Gable Assembly (1)
9462 Roof Beam Assembly (5 14x31: 4,3 m x 9,4 m)

1 Lift and fasten a left gable assembly in the same manner.

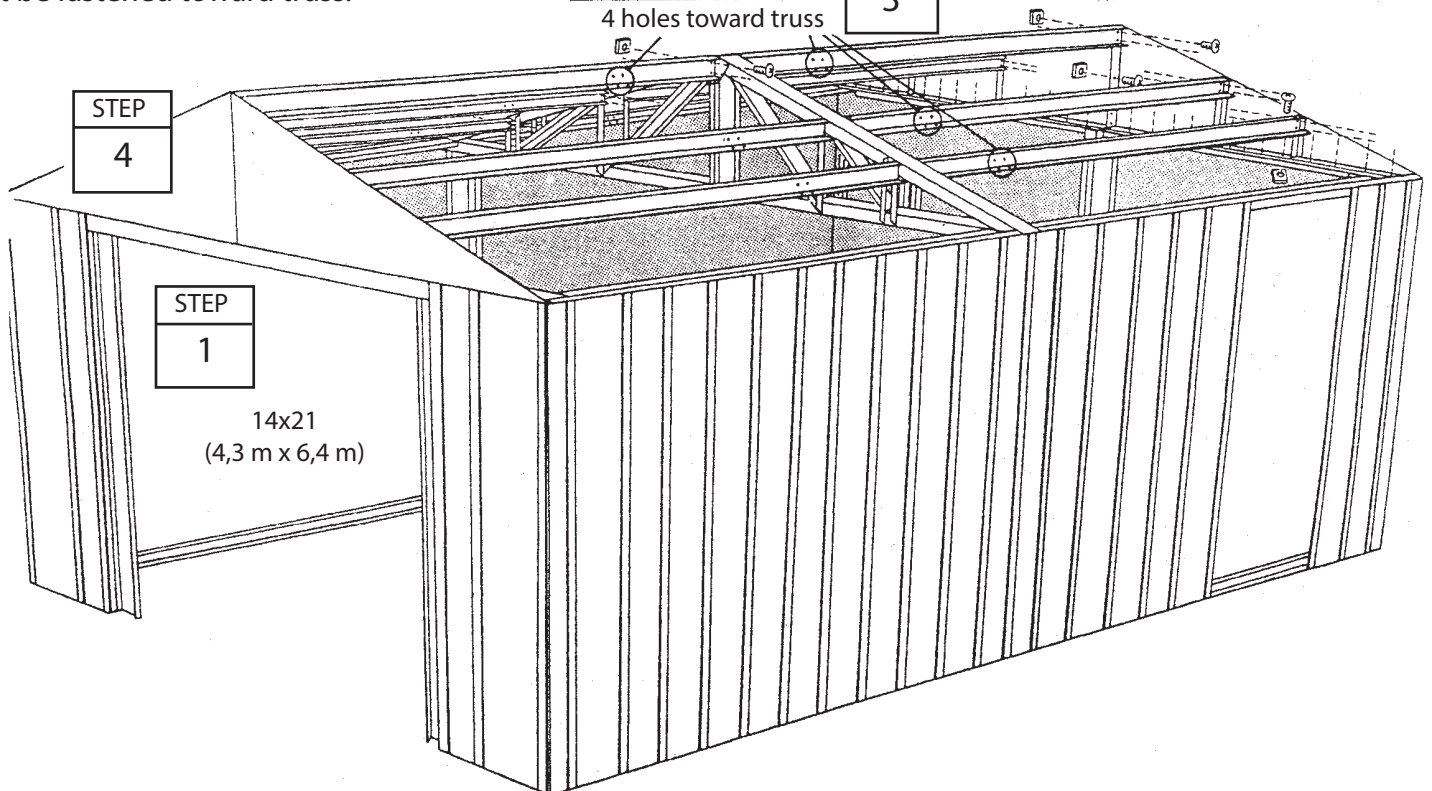
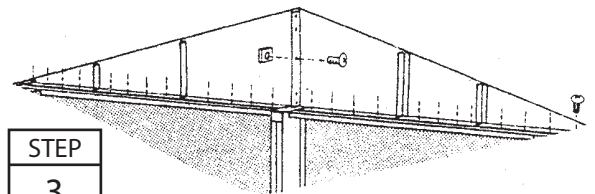
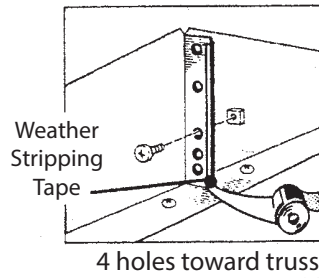
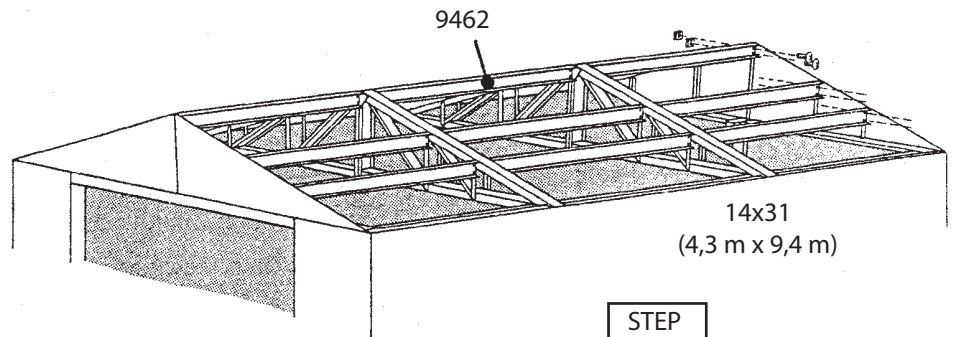
2 Join the left and right gables together using a bolt and nut in the third hole from the bottom only.

3 Apply the weather stripping along the mating edge of the left and right gables as shown. Cut the weather stripping to length.

4 Install roof beam assemblies to the left side of building in the same manner. Slide a roof beam assembly over center gable flange and other end over shear plates on truss and fasten as before.

Repeat roof beam procedure for the opposite end of building. Note that 4 hole cluster in roof beam assembly, must be fastened toward truss.

NOTE
On the 14x31 (4,3 m x 9,4 m), attach the roof beams between the truss assemblies as before



Step 15

BX30

Parts Needed For Gable-Truss Strut

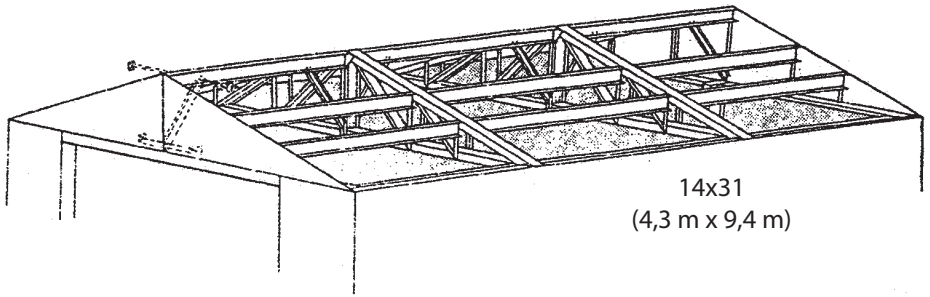
6954 Gable-Truss Strut (4 14x21: 4,3 m x 6,4 m)
(2 14x31: 4,3 m x 9,4 m)

1 Fasten a gable-truss strut to the middle roof beam behind the front gable by placing tab on the end of the strut between the roof beams. Align the tab with the holes and fasten the strut with 2 bolts and nuts.

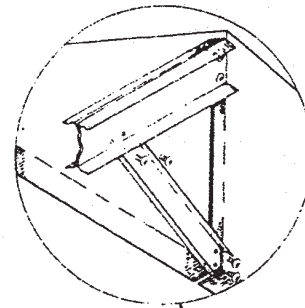
2 Fasten the lower end of the strut to the center gable flange with 2 bolts.

Repeat Steps 1 and 2 for the opposite end of building.

3 At the truss assembly the gable struts are attached between the middle roof beam and the vertical brace.



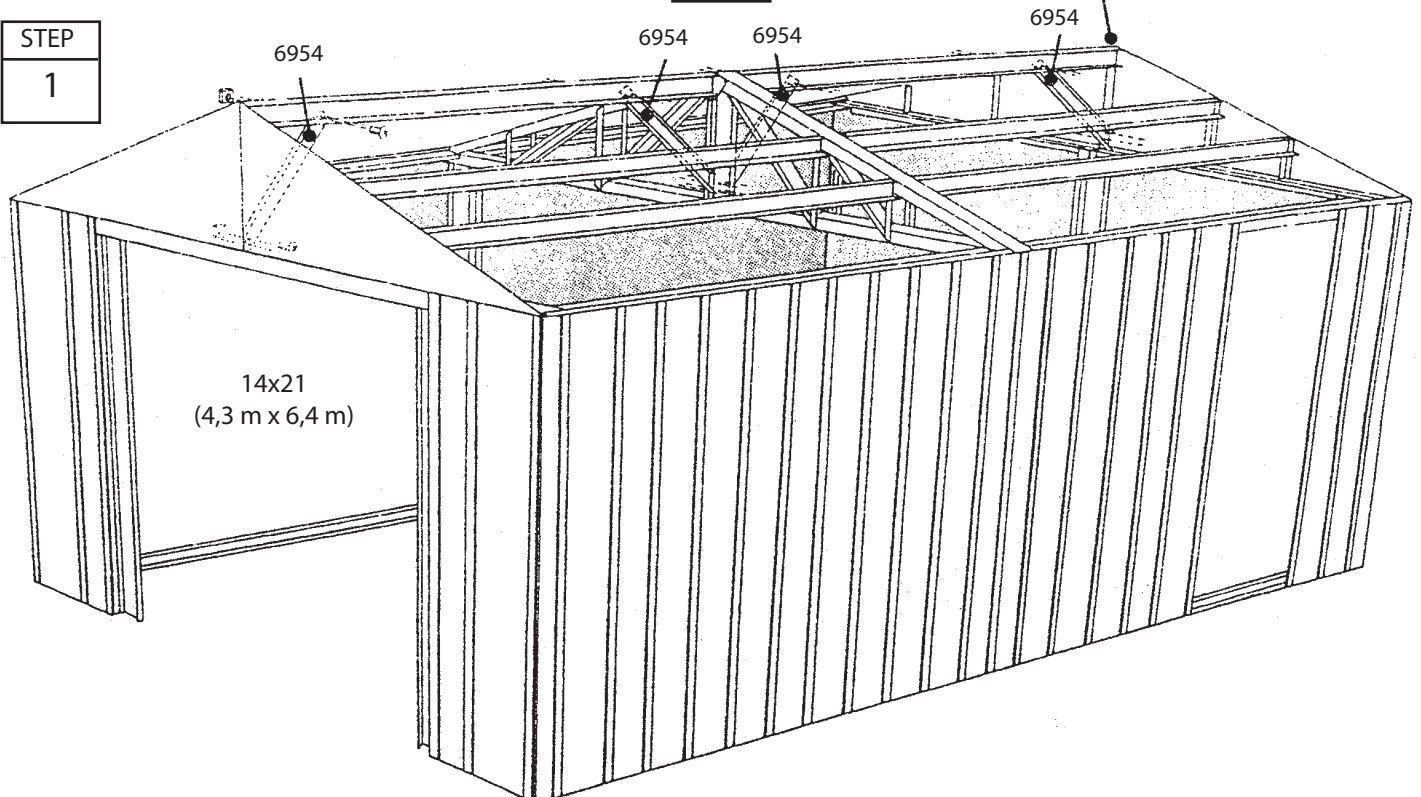
NOTE
Do not tighten bolts and nuts until all Struts are assembled



STEP
2

STEP
3

STEP
1



Step 16

Squaring the Building

BX31

1 Square the building on the foundation and at the top, by measuring diagonally from corner to corner as previously done.

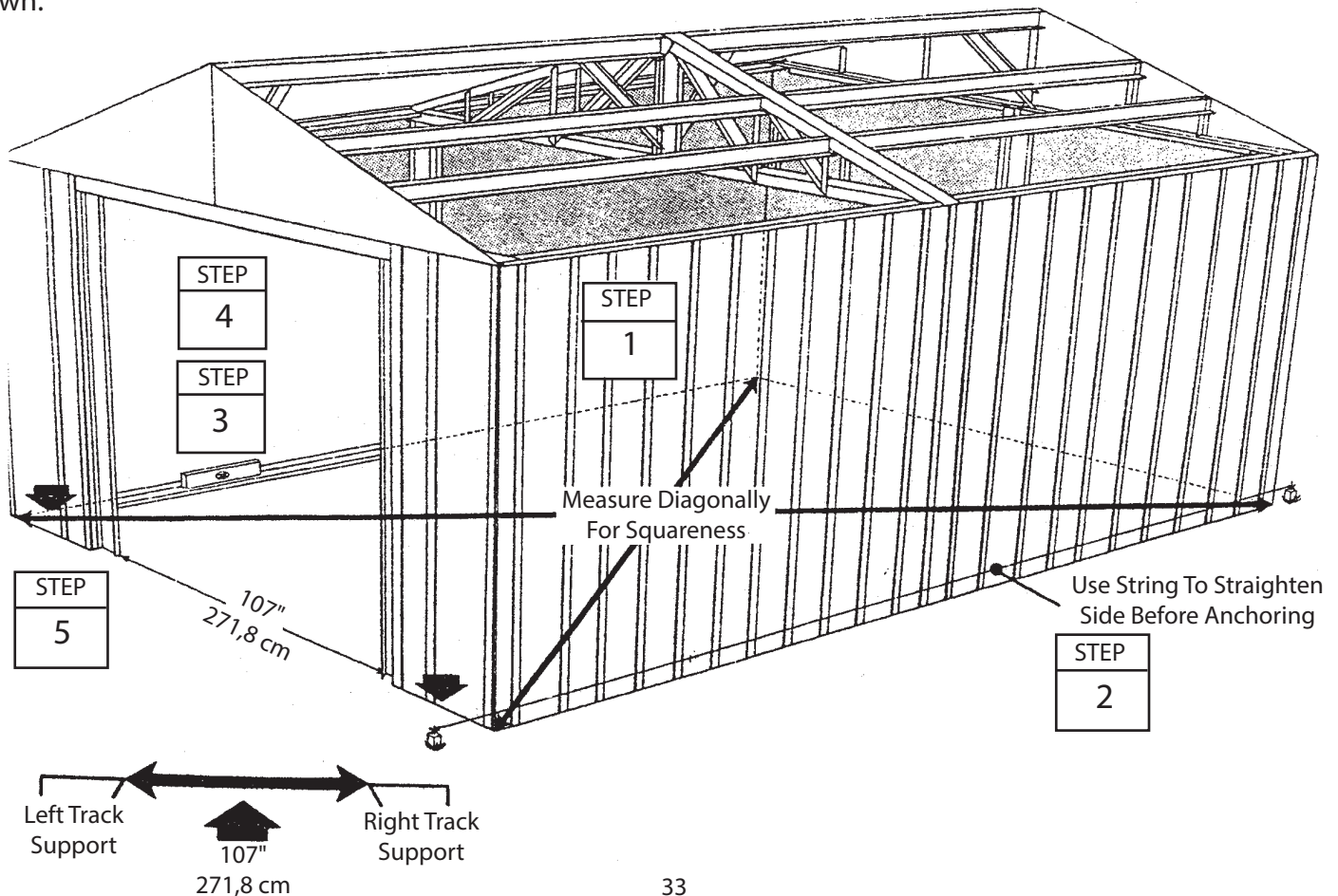
2 Use string to check and see if the sides and rear of building are straight, not bowed inward or outward.

3 Level the full perimeter of the floor frame. Shim under with wood shingles if necessary.

4 Square the front of building as previously done for base.

5 Anchor front frame to concrete with 1/4" (6 mm) diameter expandable anchor bolts or other means, where shown.

NOTE
The 107" (271,8 cm) door opening must be held for proper door alignment. Measure between the left and right track support.



Step 17

Parts Needed For Left/Right Roof Panels

9492 Right Roof Panel (2)
9493 Left Roof Panel (2)

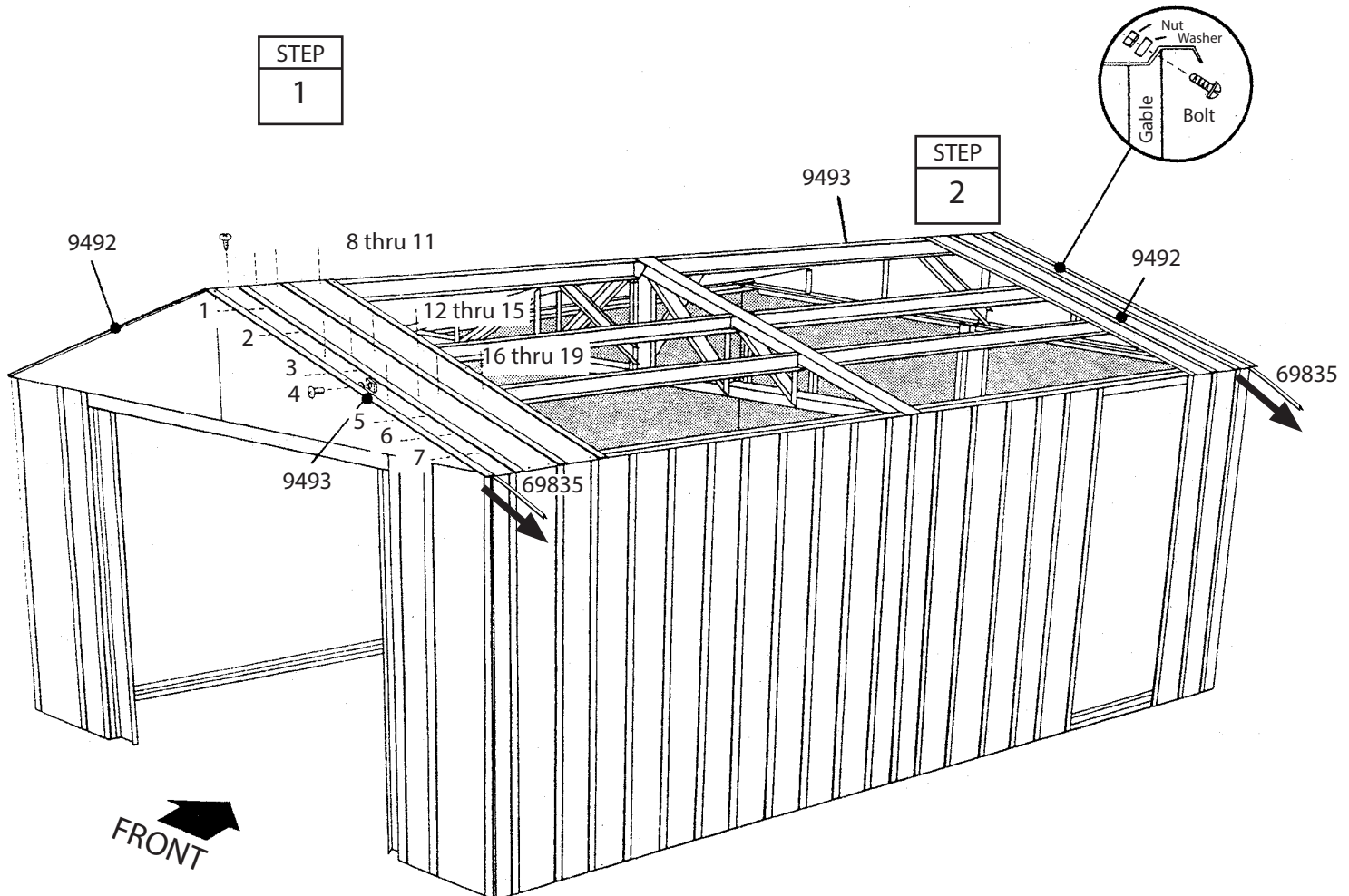
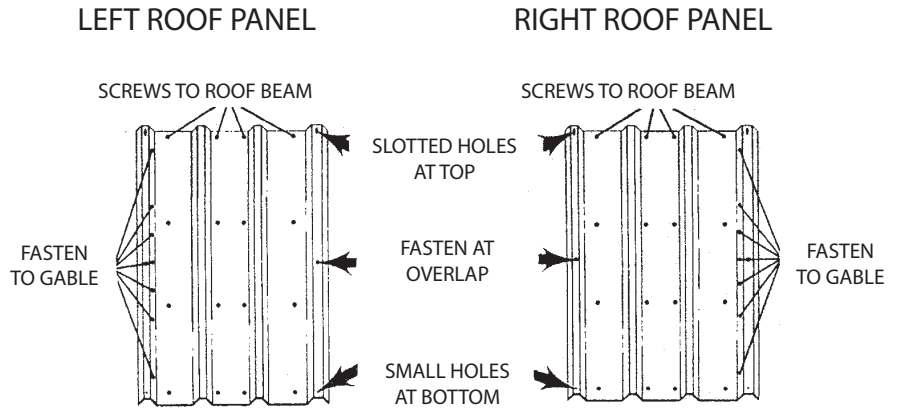
BX32a

Installing the roof panels is best done with an 8' (2,3 m) step ladder. Each screw and bolt in the roof requires a washer.

1 Position right and left roof panels at the front corners and fasten to the gable and roof beams using screws and bolts as shown. Do not fasten the lower end of the panels to the side eave channel at this time.

Hint: Follow the fastener sequence shown, for proper alignment.

2 Install the right and left roof panels for the rear corners in the position shown.



Step 18

Parts Needed For Roof Panels

9491 Roof Panel (4)

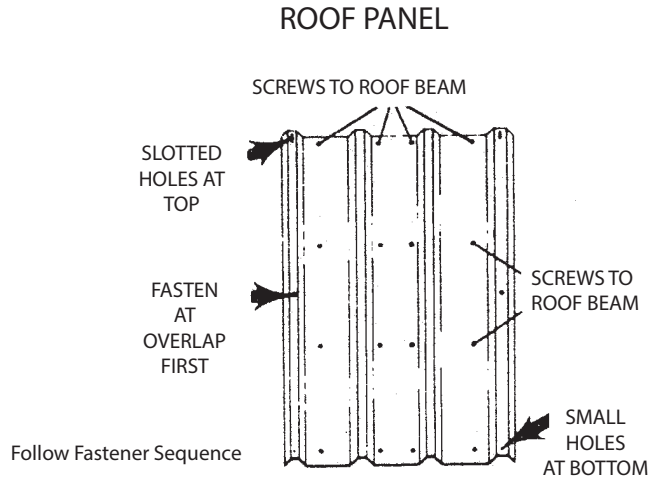
BX33

1 Position a roof panel overlapping rib of left corner roof panel. Fasten overlap at center of roof panel rib using a bolt and nut. Fasten to roof beams as done before using screws.

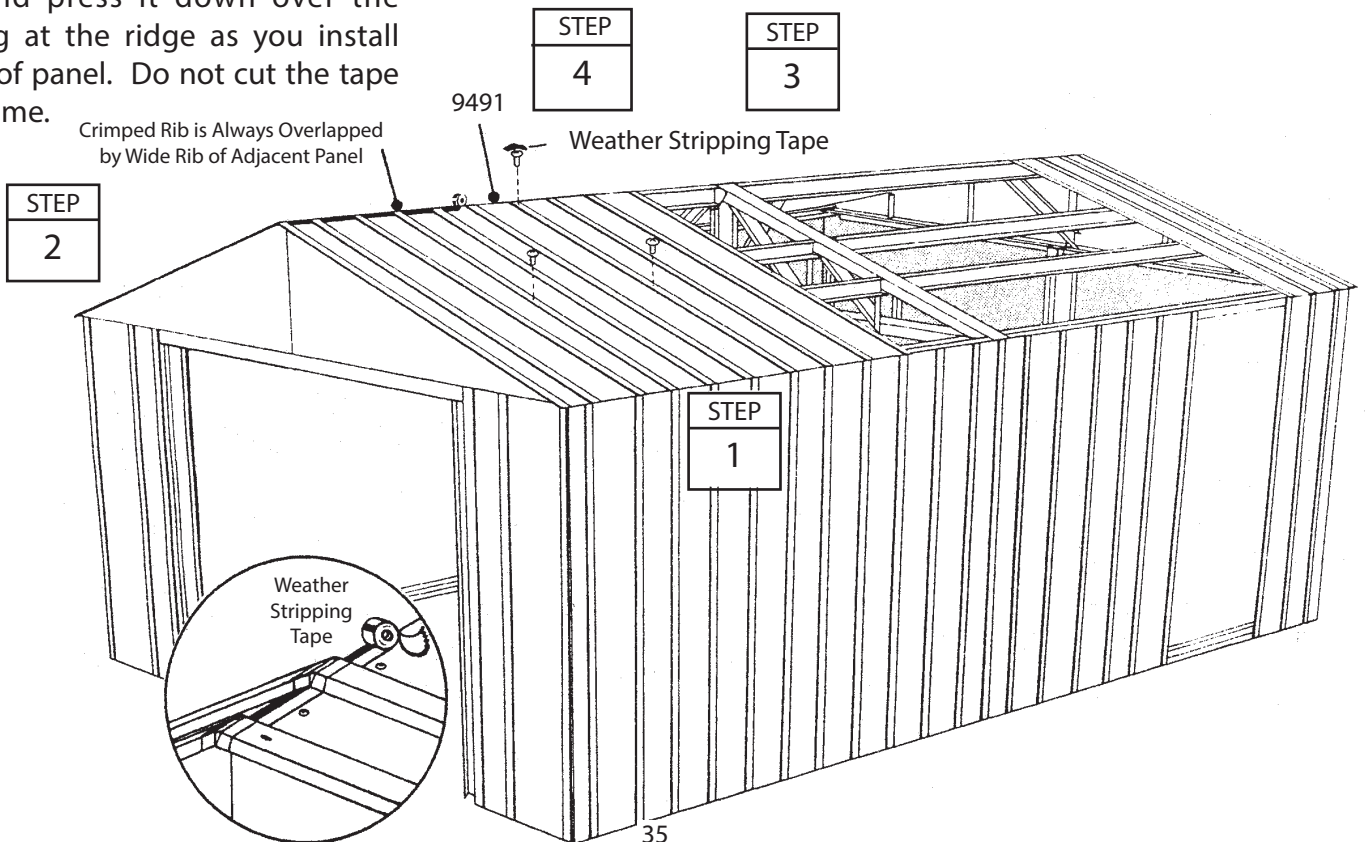
2 Install a roof panel on the left side of building. Repeat procedure with 2 more roof panels working side to side. At the top beam end of panels, fasten 2nd roof panel rib overlaps with a bolt and nut.

3 Cut the weather stripping tape into 6 strips, each strip about 2" (5,1 cm) long. Press 2 strips over the bolt heads on overlaps at the top of panels. Save the other 4 strips for the rest of roof.

4 Cover the join at the peak with weather stripping tape. Unroll the tape and press it down over the opening at the ridge as you install each roof panel. Do not cut the tape at this time.



NOTE
On the 14x31 (4,3 m x 9,4 m), cut the weather stripping tape into 10 strips.



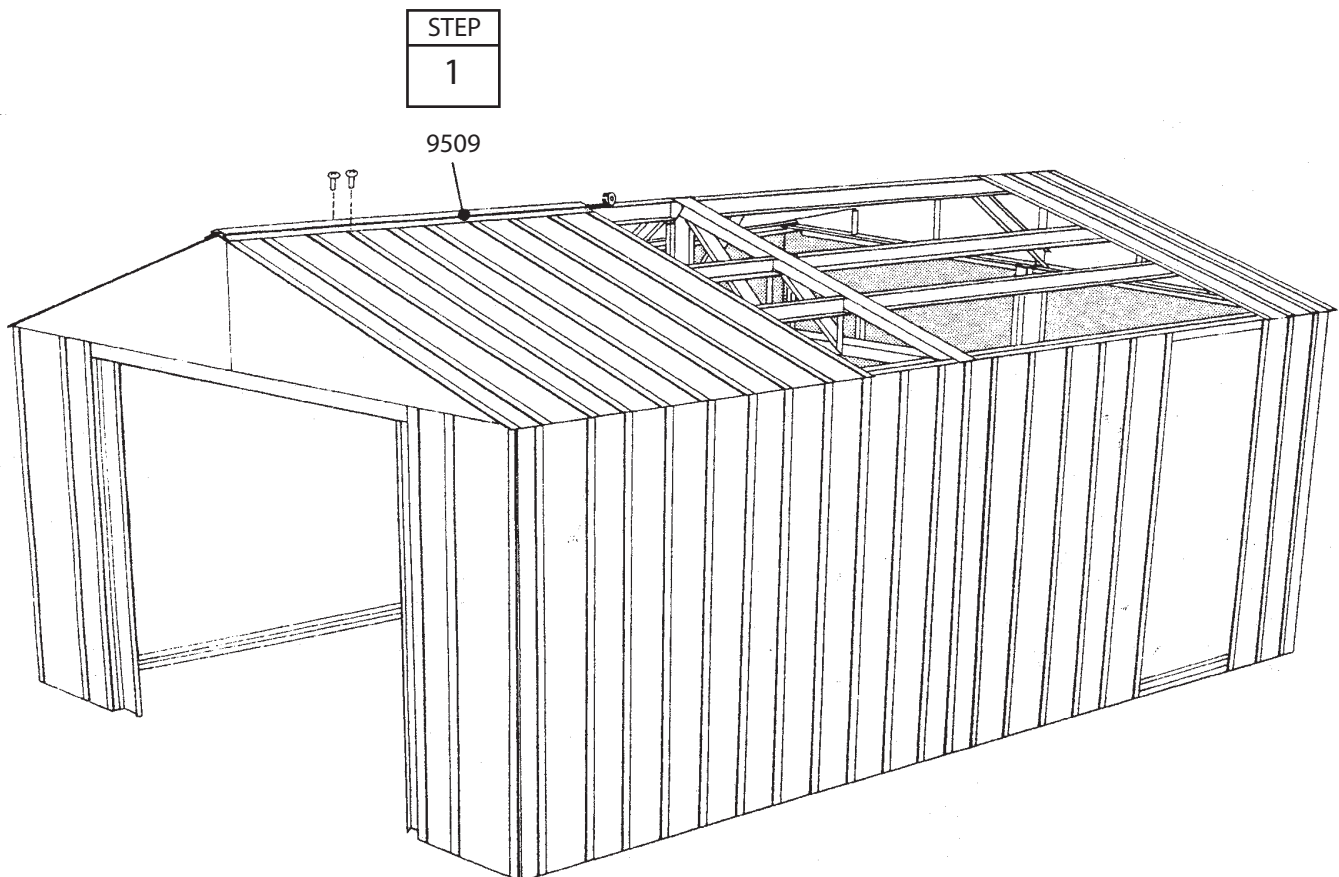
Step 19

Parts Needed For Ridge Cap

9509 Ridge Cap (1)

BX34

1 Install a ridge cap on the completed roof section using bolts and nuts. Do not fasten the ends of the ridge cap at this time.



Step 20

Parts Needed For Roof Panels & Ridge Cap

9509 Ridge Cap (1)
9491 Roof Panel (6)

BX35

1 Install 4 roof panels working side to side.

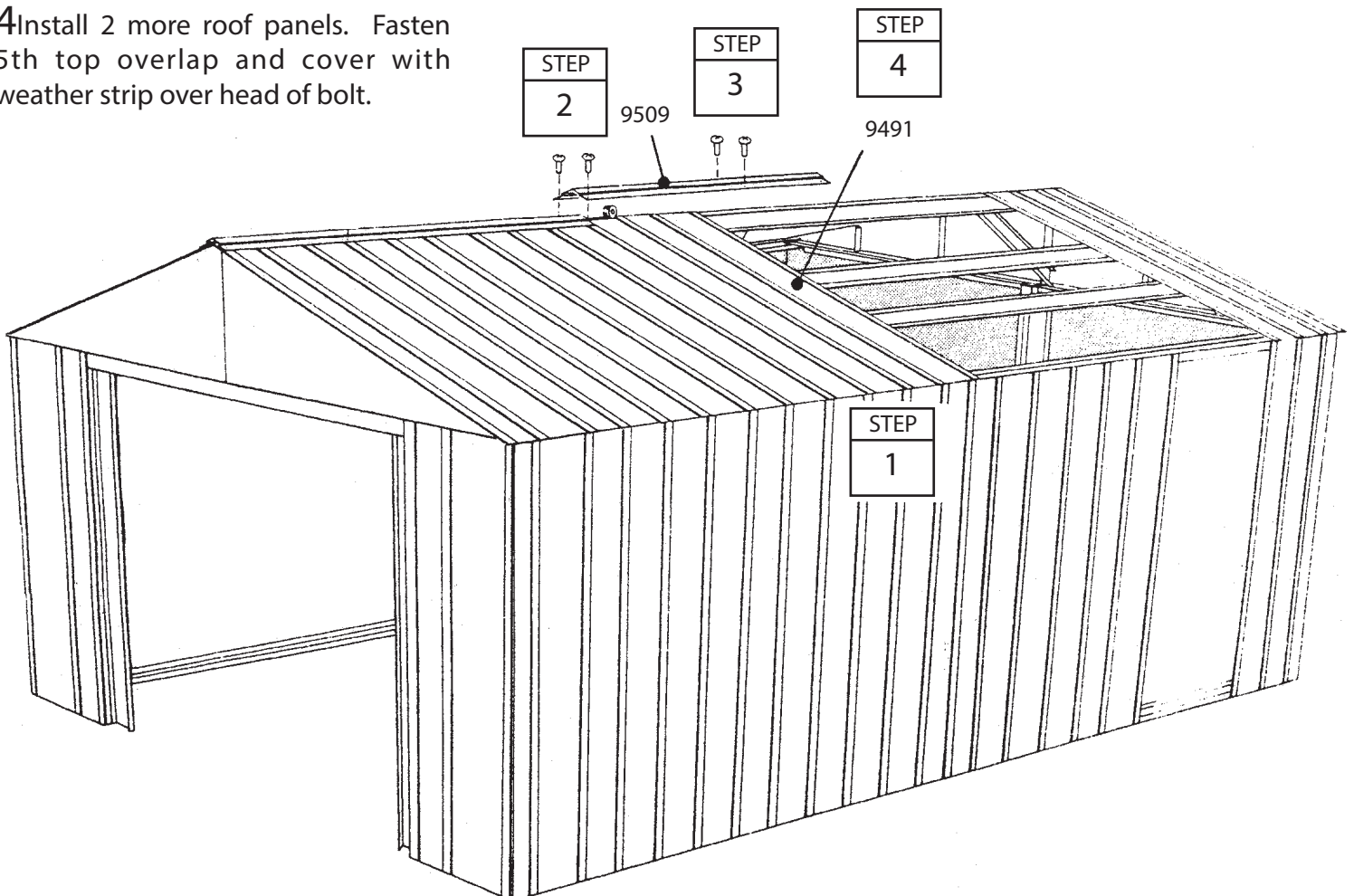
NOTE

If roof beam holes do not line up with the roof panel holes, shift the building from left to right. If this does not help, your building may not be level. Shim the corners until holes line up.

2 Unroll the weather stripping tape, press it down firmly, but do not cut.

3 Install the second ridge cap overlapping the first ridge cap. Align the holes and fasten using bolts.

4 Install 2 more roof panels. Fasten 5th top overlap and cover with weather strip over head of bolt.



Step 21

BX36

Parts Needed For Roof Panels/Ridge Caps

9509 Ridge Cap (1)
9512 Ridge Cap (1 1431: 4,3 m x 9,4 m)
9491 Roof Panel (4 14x21: 4,3 m x 6,4 m)
(12 14x31: 4,3 m x 9,4 m)

1 Install 2 more roof panels.

2 Install the third ridge cap overlapping the second ridge cap as before. Temporarily remove the rear corner roof panels, and install the remaining 2 roof panels. Fasten 7th top overlap and cover with weather strip over head of bolt.

3 Install the corner roof panels. Fasten ridge cap using bolts and nuts.

4 Fasten the lower end of the panels to the side eave channels using screws and washers.

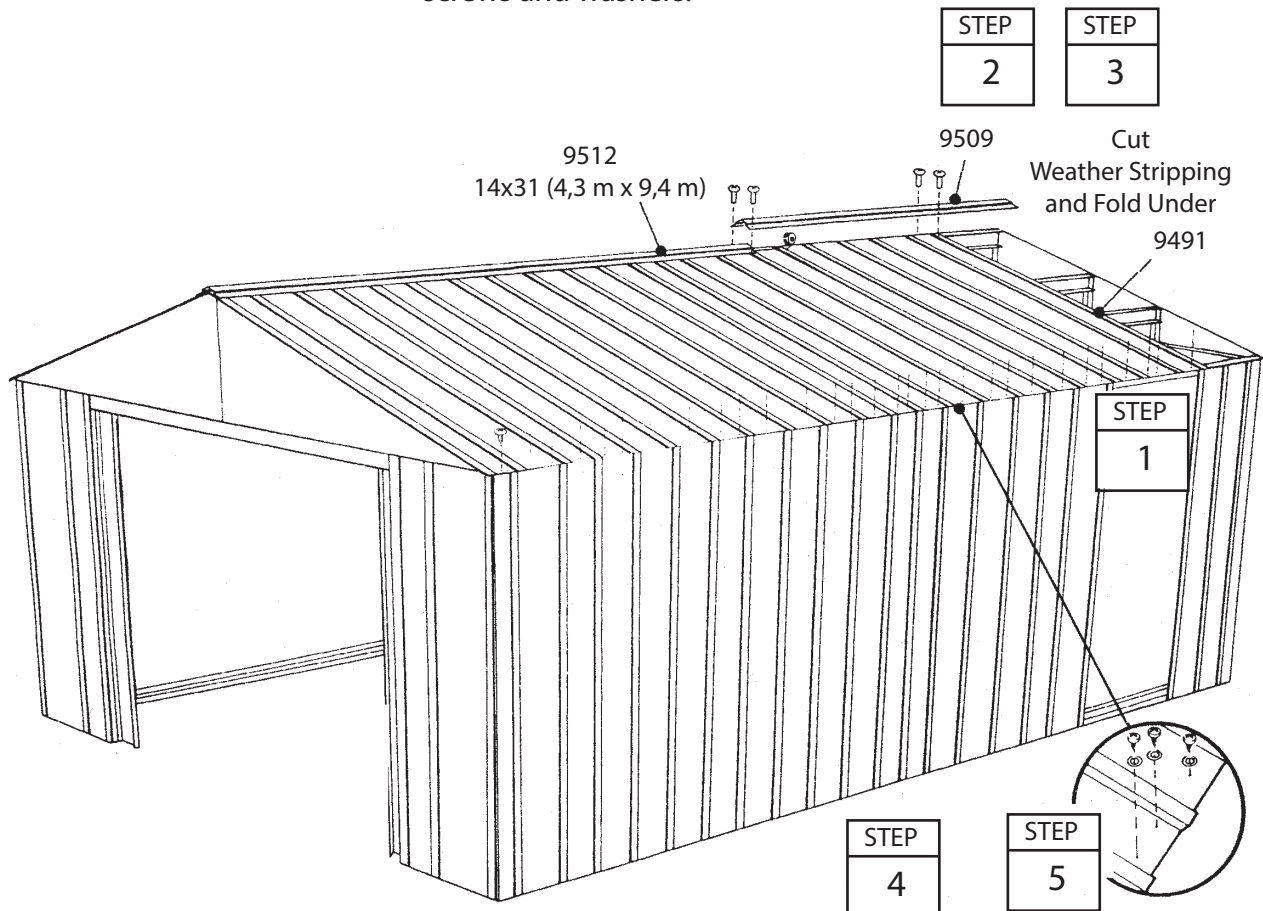
1 On the 14x31 (4,3 m x 9,4 m) install 2 more roof panels.

2 Install the third ridge cap overlapping the second ridge cap as before. Install 6 more roof panels, while fastening 8th and 9th top overlap and cover with weather strip over head of bolt. Fasten ridge cap using bolts and nuts.

3 Install 2 roof panels, and the fourth ridge cap. Temporarily remove the rear corner roof panels, and install the remaining 2 roof panels. Fasten 11th top overlap and cover with weather strip over head of bolt.

4 Install the corner roof panels. Fasten ridge cap using bolts and nuts.

5 Fasten the lower end of the panels to the side eave channels using screws and washers.



Step 22

Parts Needed For Roof Trim

7023 Left Roof trim (2)
7024 Right Roof Trim (2)
9510 Side Roof Trim (6)
9513 Side Roof Trim (2 14x31: 4,3 m x 9,4 m)

BX37

1 Attach the side roof trim to the lower end of the roof panels on each side of the building using screws at each panel overlap.

4 Using your thumb and index finger, overbend the bottom flange of the side roof trim at the corner inward enough so the right and left roof trim caps fit onto right and left corners.

5 Fasten trim to side trim using a screw and washer into roof panel.

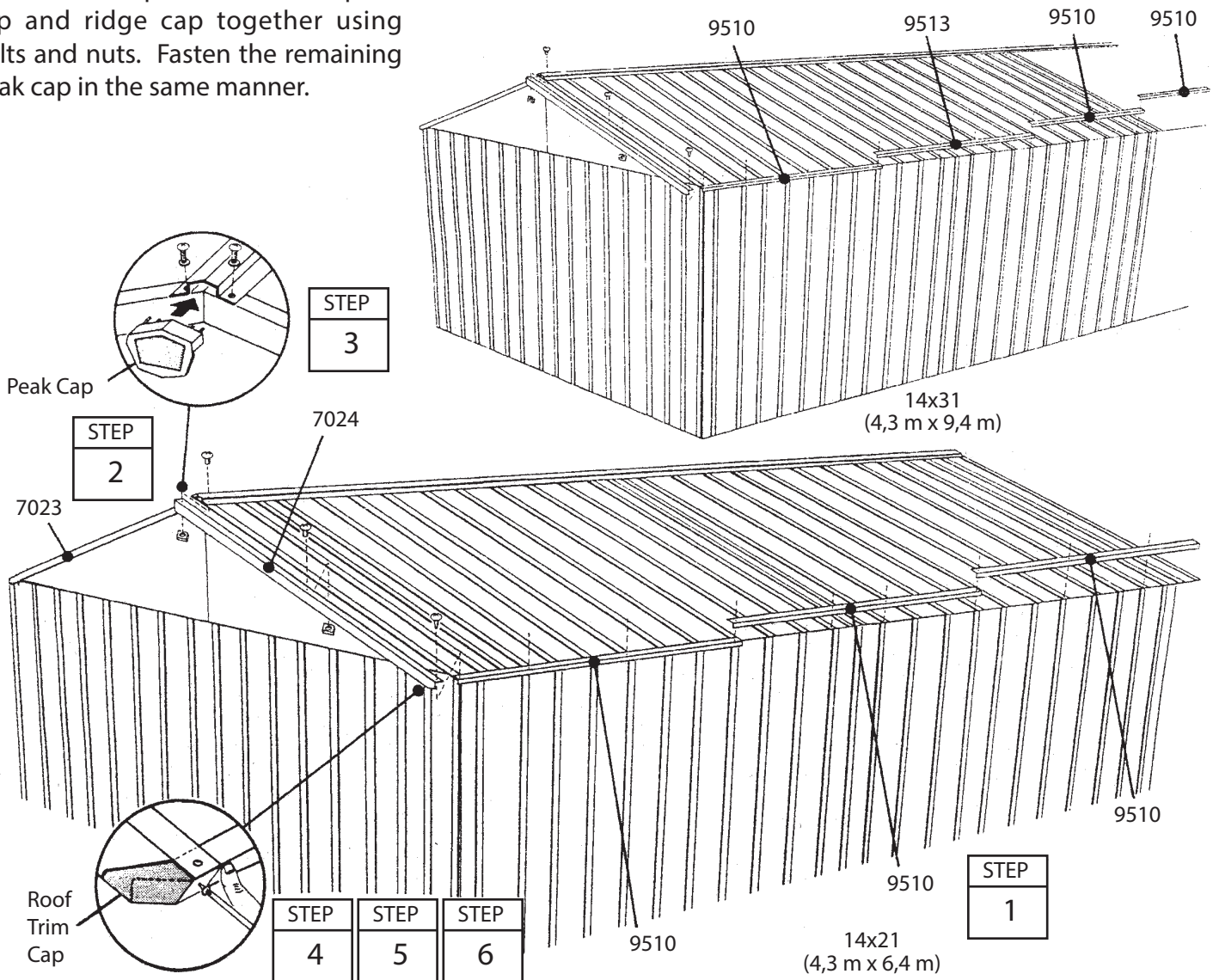
6 Fasten the roof trim caps to the side trim using a screw.

NOTE

A single screw fastens both trim pieces at the overlap.

2 Position left and right roof trim to the ends of roof, noting that trim slips under ridge cap, but fits on top of side roof trim.

3 Fasten roof panel rib, trim, peak cap and ridge cap together using bolts and nuts. Fasten the remaining peak cap in the same manner.



Step 23

BX38

Parts Needed For Side Door Assembly

10490 Door (1)
10505 Horizontal Door Brace (2)
9500 Vertical Door Brace (2)

NOTE

To assemble door to slide from left to right (opening), position door with handle holes on left side of door. Position handle holes on right side if door is to slide from right to left (opening).

Each bolt and screw in the door requires a washer.

1 Hold the vertical door brace against the inside surface of door, align holes, and fasten with 3 screws.

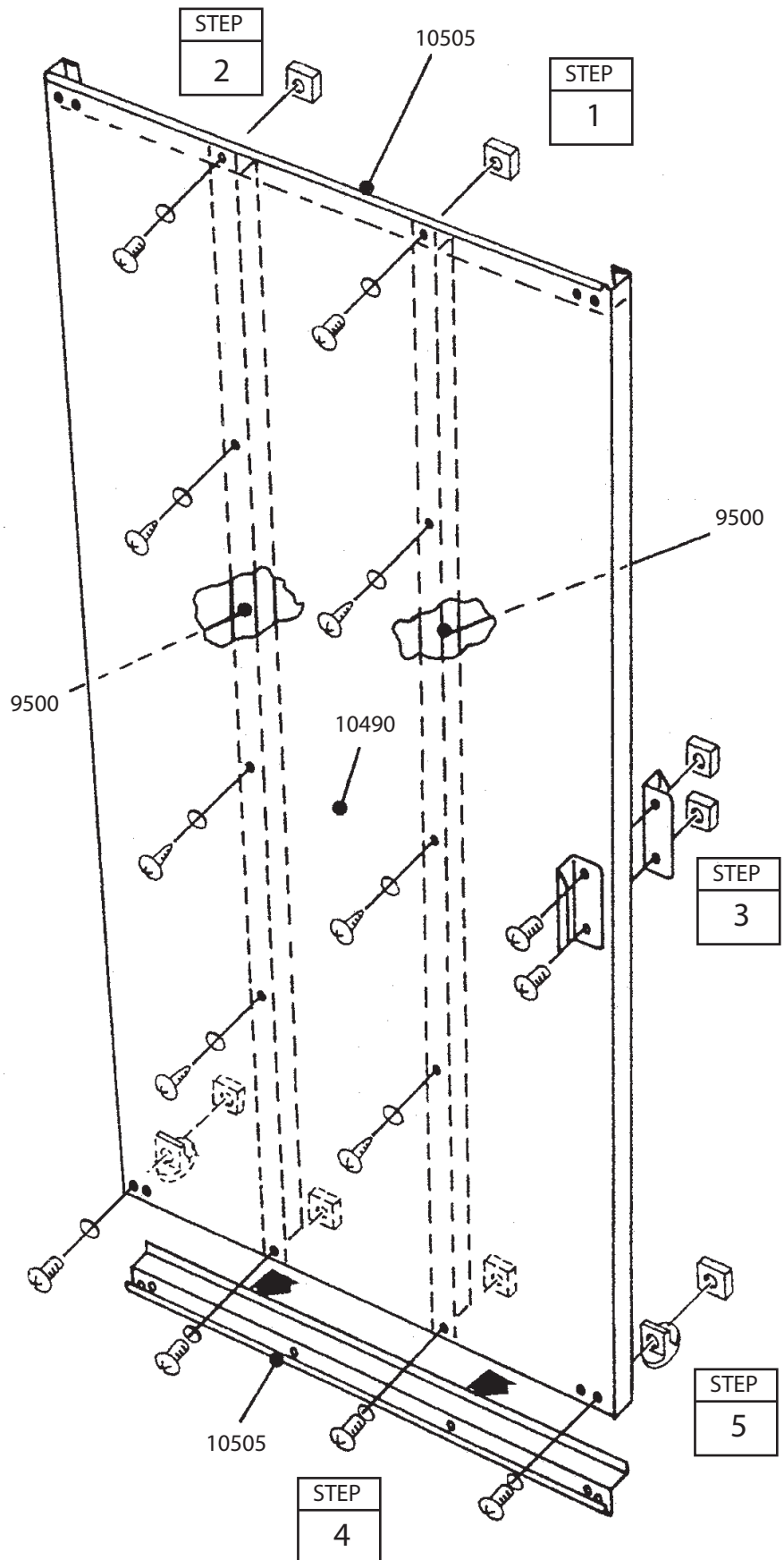
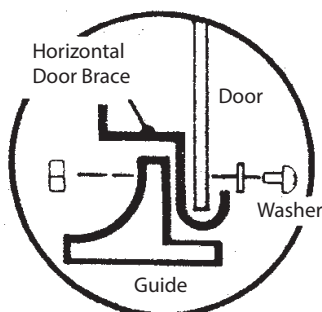
2 Repeat Step 1 for remaining vertical door brace.

3 Attach the handle to the door with 2 bolts and nuts, as shown.

4 Put a horizontal door brace onto the top edge and bottom edge and fasten with 2 bolts and nuts on each.

5 Attach the lower door guides as shown.

END VIEW
SHOWING:



Step 24

Parts Needed For Door Installation

Door Assembly (1)
7972 Door Handle Lock Bracket (1)

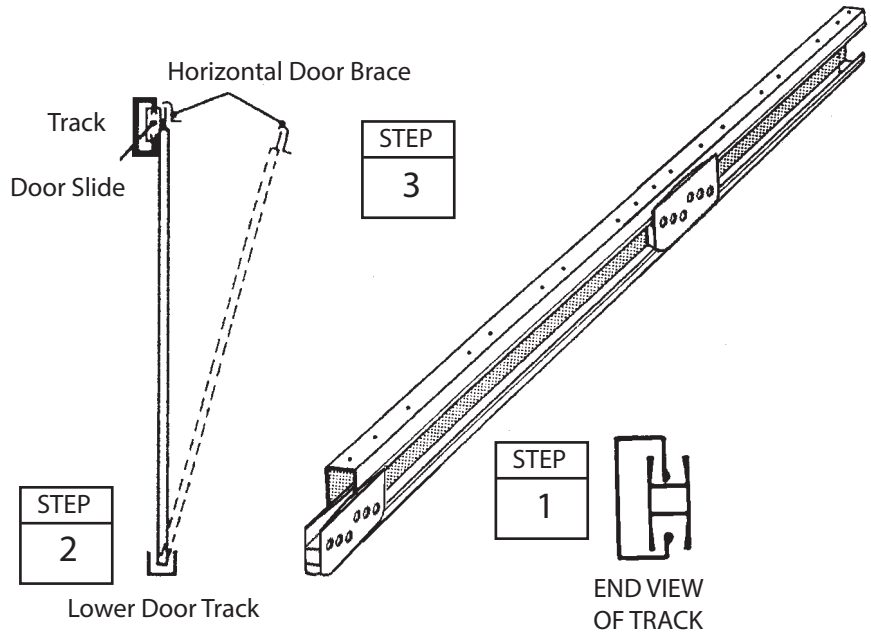
BX39

1 Position door slides onto the legs, from the end of door track, as shown in the end view.

2 From inside the building, put the bottom of the door behind door jamb into the lower door track.

3 Position the top of the door so that the holes in the door line up with the holes in the door slides.

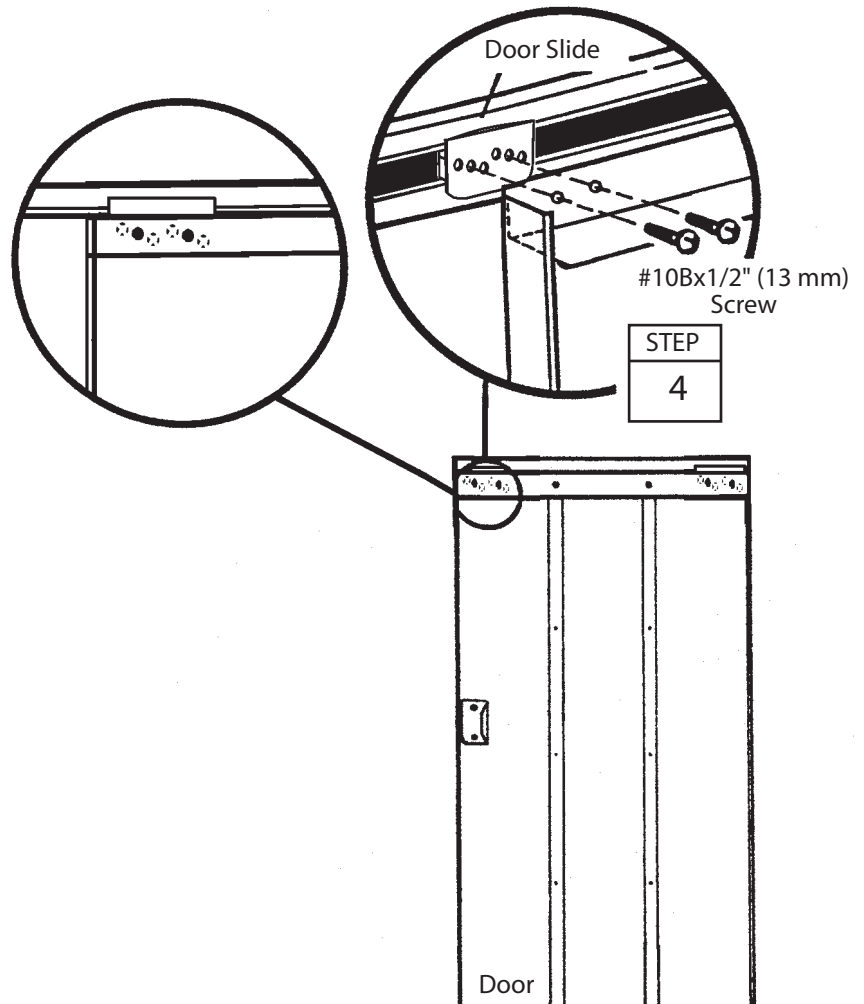
4 Fasten the door to the door slides using two #10Bx1/2" (13 mm) screws per door slide.



NOTE

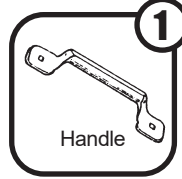
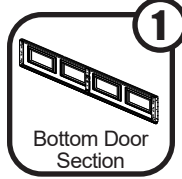
The holes in the door slides allow you to adjust the door. Place the door in the middle holes.

5 Position door handle lock bracket aligned with handle holes, against door jamb. Using a pencil mark through holes onto jamb, remove bracket and drill (2) 1/4" (6 mm) diameter holes in jamb. Fasten bracket to door jamb using 2 bolts and nuts.



Step 25: Bottom Panel

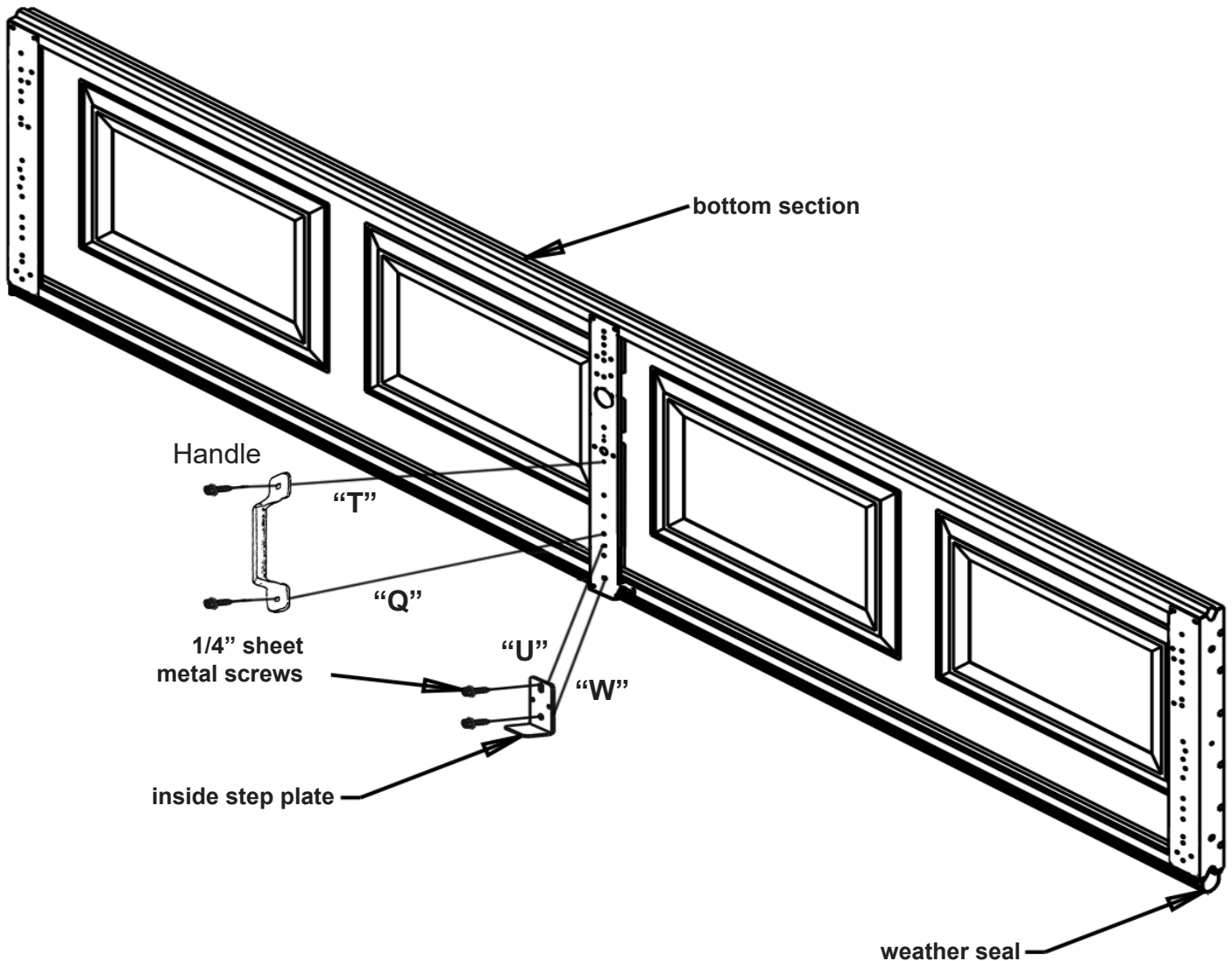
You will need for this page:



Bottom Gripping Point/Step Plate Kit

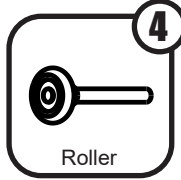
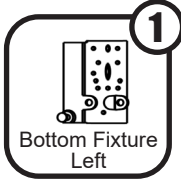
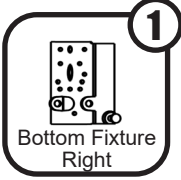
Look for the section with weather seal attached to it. This is the bottom section. Set it on table face down (the face is the outside of the door).

- 1** Use screws to attach the Inside Step Plate and Handle to the Bottom Section as shown.



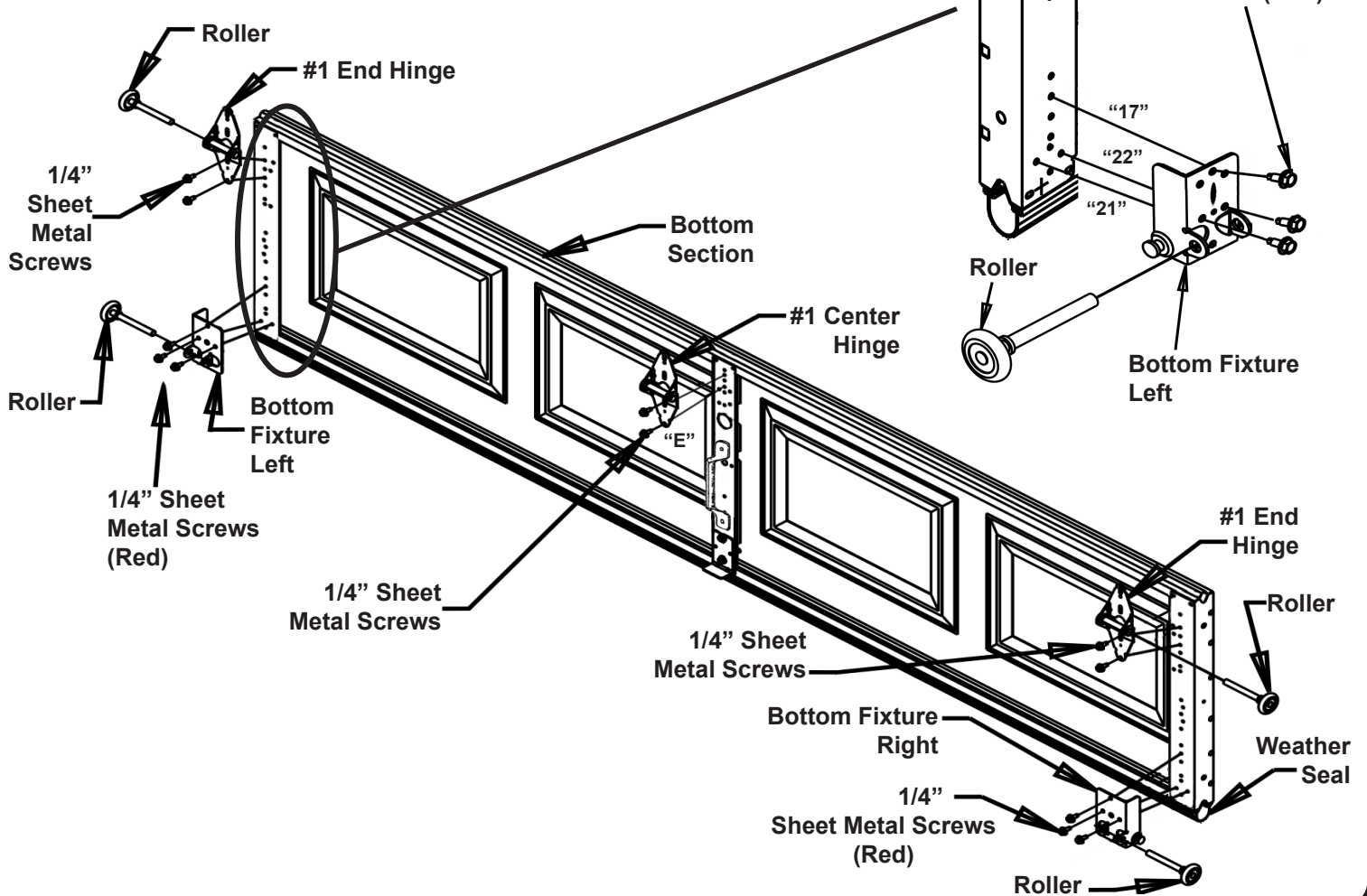
Step 25: Bottom Panel

You will need for this page:



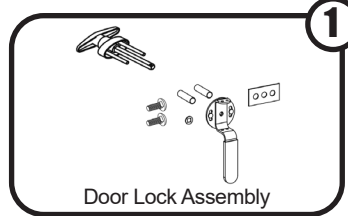
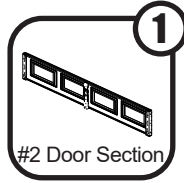
2 Sections are attached to each other with hinges. Fasten hinges marked #1 to top of bottom section at each stile using (2) 1/4" sheet metal screws per hinge. Make sure that the two slots are at top of hinge. This allows for adjustment when you stack sections. Attach each bottom fixture with (3) red 1/4" sheet metal screws.

3 The door is held in the track with rollers. Insert rollers into bottom fixtures and end hinges.



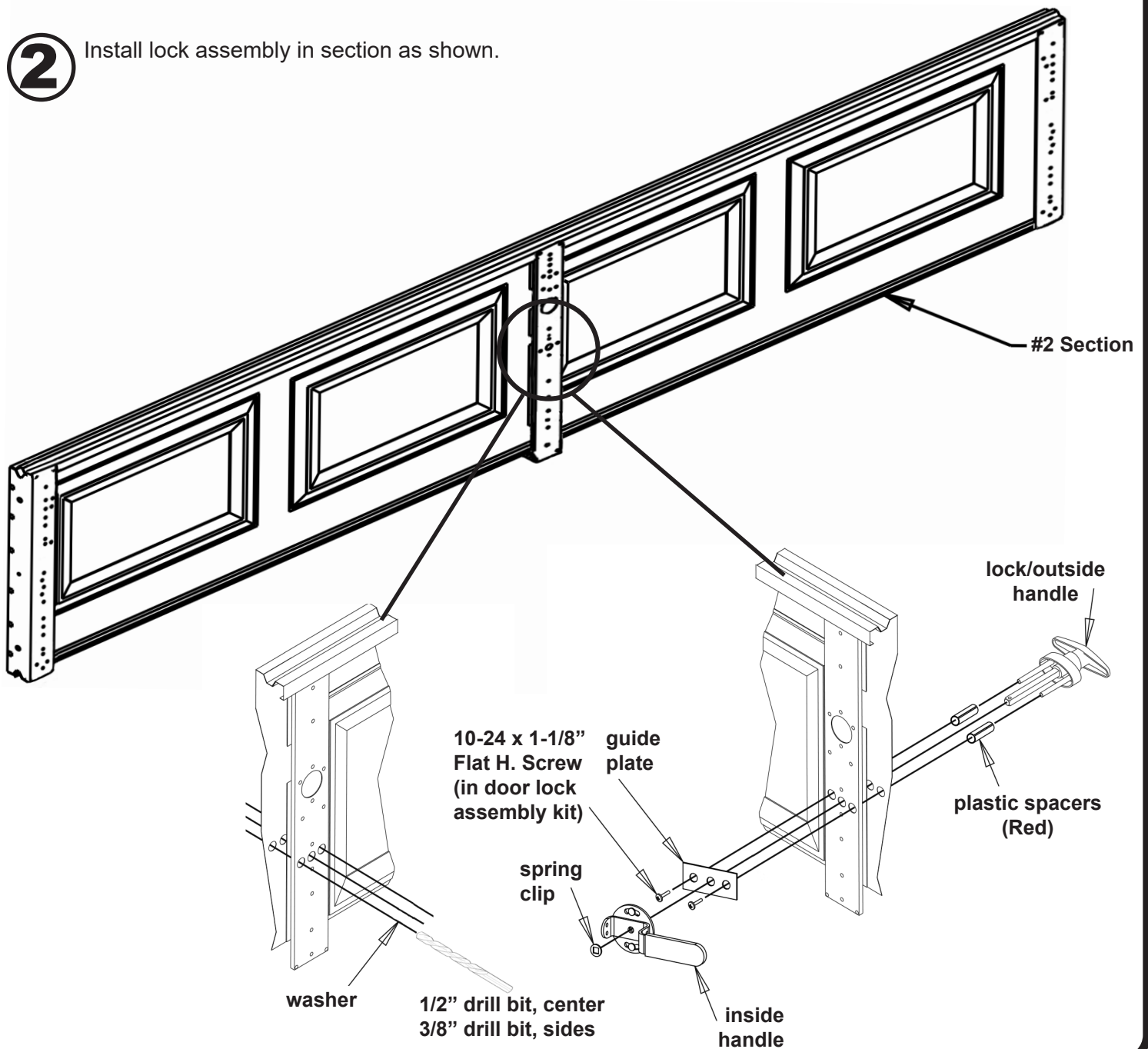
Step 26: #2 Panel

You will need for this page:



- 1** Drill three holes from the center section rear through the section face, using the “knock-out” holes as a guide. The center hole will be 1/2”, and holes marked “N” and “P” are 3/8”.

- 2** Install lock assembly in section as shown.

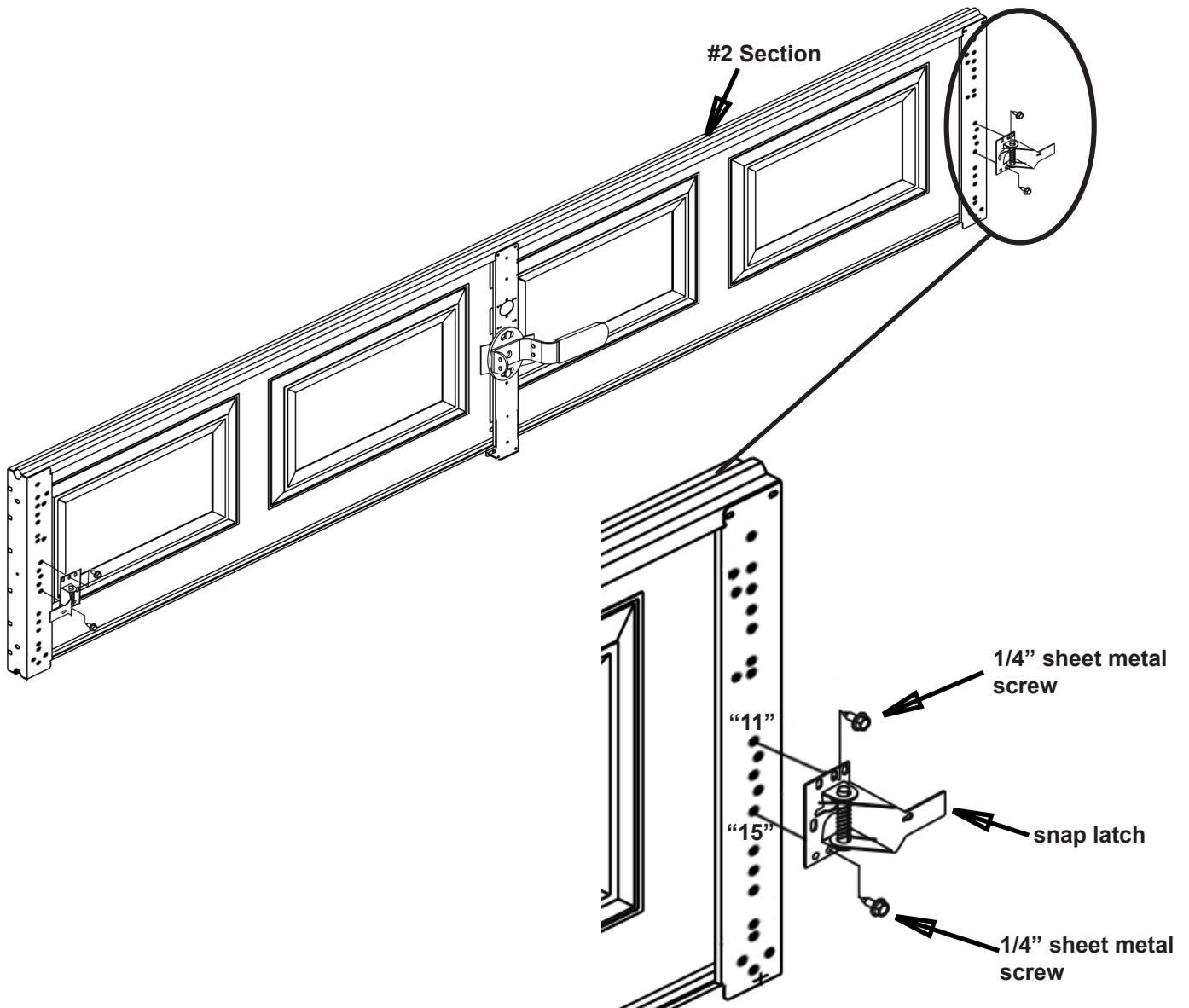


Step 26: #2 Panel

You will need for this page:

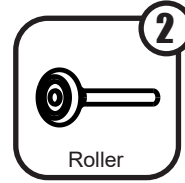


- 3** Attach a snap latch assembly to each end stile using two 1/4" self drilling screws.

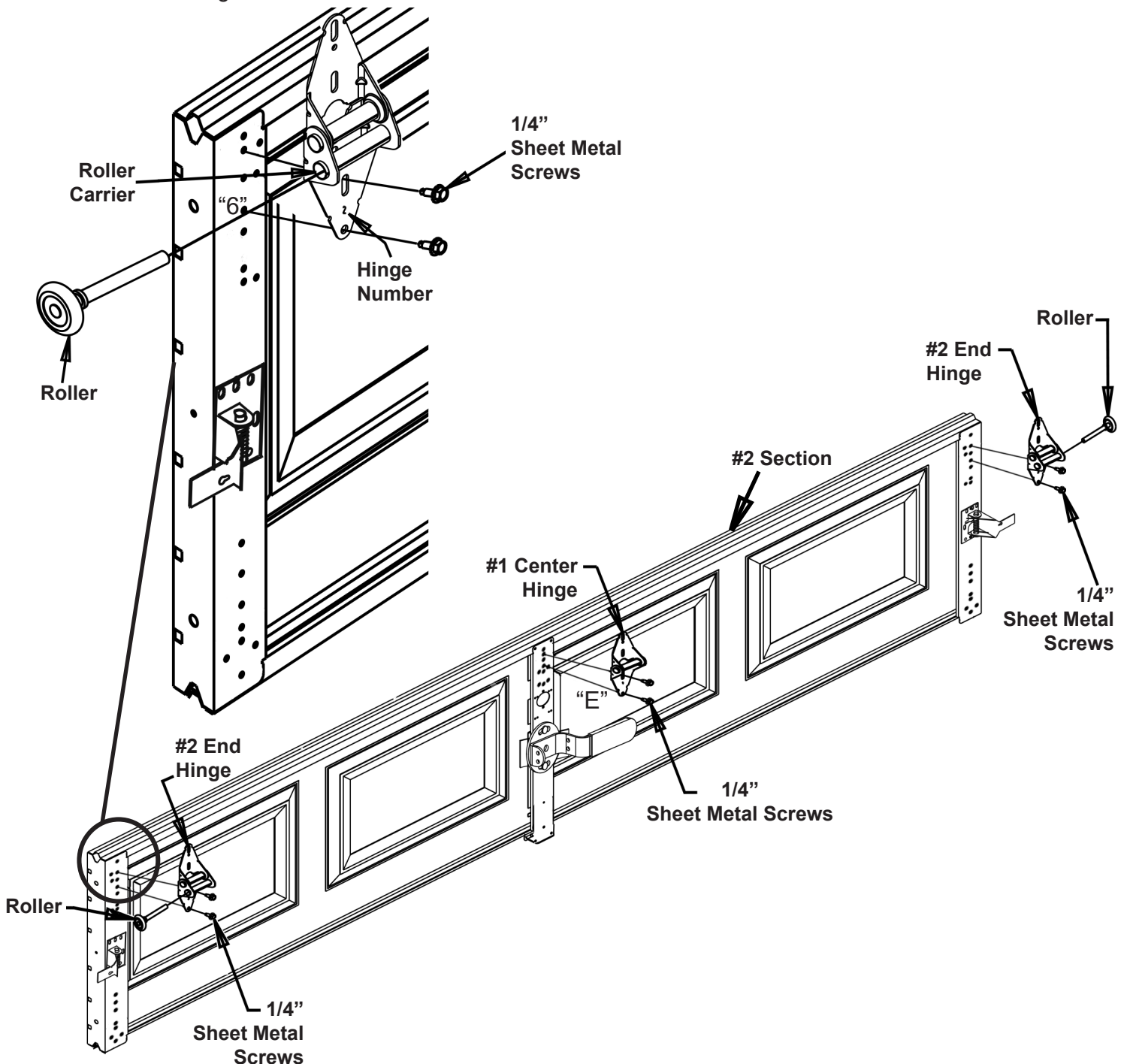


Step 26: #2 Panel

You will need for this page:

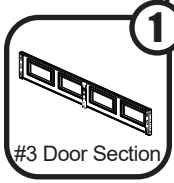


- 4** Fasten end hinges marked #2 to top of section on each end stile. Use (2) 1/4" sheet metal screws per hinge. Make sure that the two slots are at top of hinge. Insert a roller into each end hinge as shown. Attach #1 center hinge.



Step 27: #3 Panel

You will need for this page:



#3 Door Section



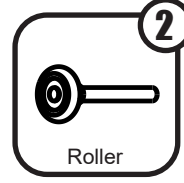
#3 End Hinge



#1 Center Hinge

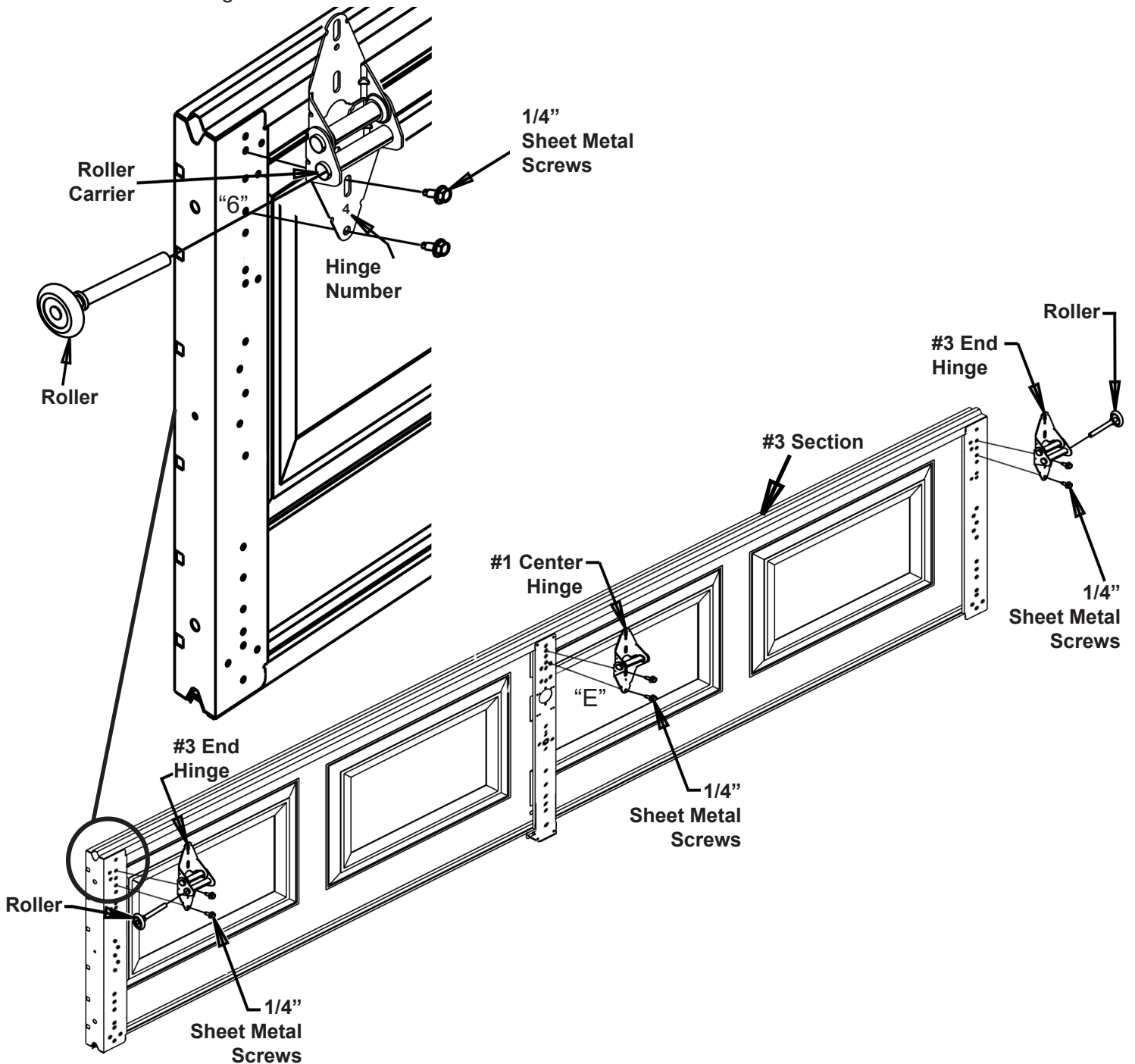


1/4" Sheet Metal Screw



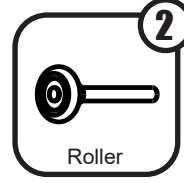
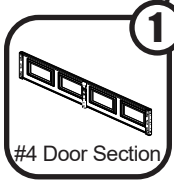
Roller

- 1** Fasten end hinges marked #3 to top of section on each end stile. Use (2) 1/4" sheet metal screws per hinge. Make sure that the two slots are at top of hinge. Insert a roller into each end hinge as shown. Attach #1 center hinge.

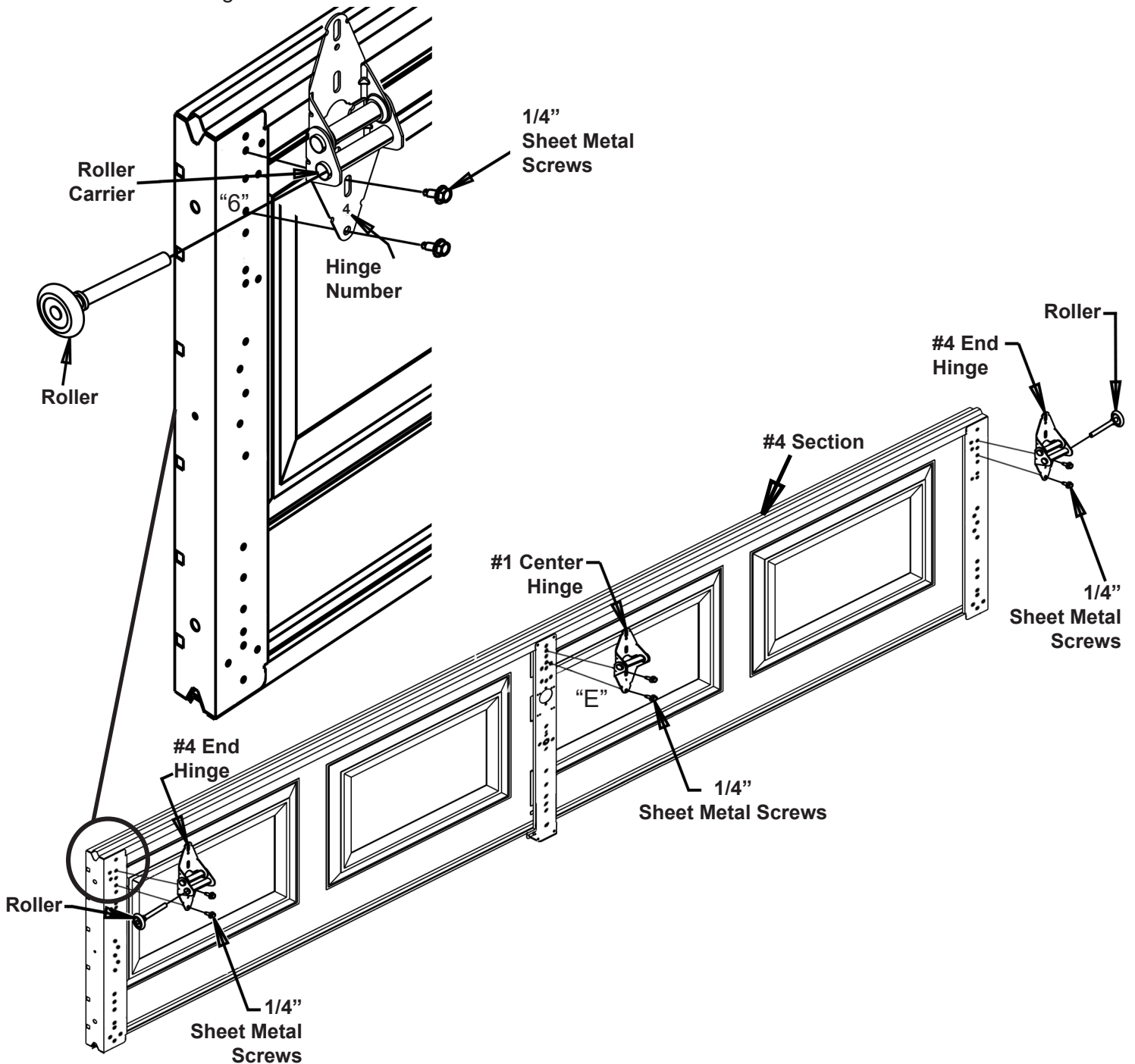


Step 28: #4 Panel

You will need for this page:

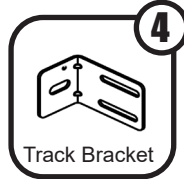
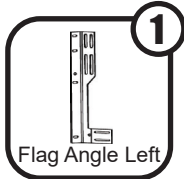
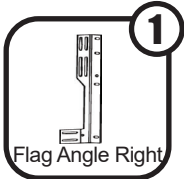


- 1** Fasten end hinges marked #4 to top of section on each end stile. Use (2) 1/4" sheet metal screws per hinge. Make sure that the two slots are at top of hinge. Insert a roller into each end hinge as shown. Attach #1 center hinge.



Step 29a: Track Installation

You will need for this page:

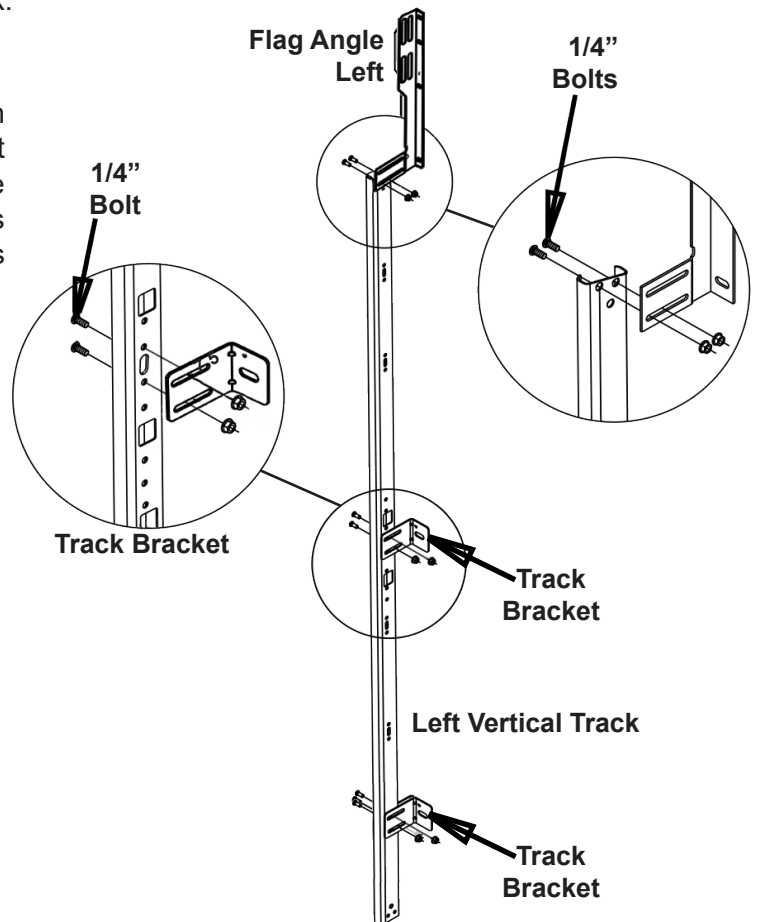
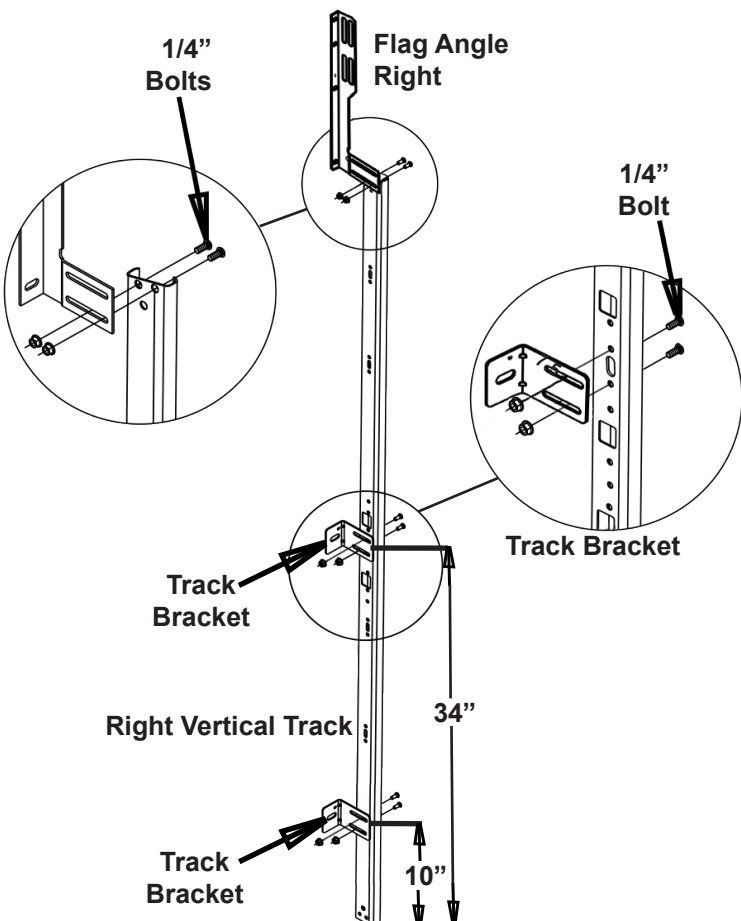


Prepare the Vertical Tracks.

- 1** The top of the vertical track must pitch back from the jamb for door to seal properly. This spacing is set by use of 2 slot universal track brackets. Attach but **do not fully tighten** brackets to track with 1/4" x 5/8" track bolts and nuts. The detail is shown with two different track brackets.

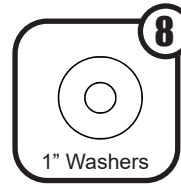
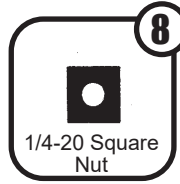
Always place heads of bolts to inside of the track. This will prevent rollers from striking bolts.

- 2** The flag angle mounts to the top of the track with (2) 1/4" x 5/8" track bolts and nuts. This bracket joins the vertical and horizontal tracks as well as the angle attached to the horizontal track. Leave bolts loose at this time. You will adjust the track after it is installed to the jambs.

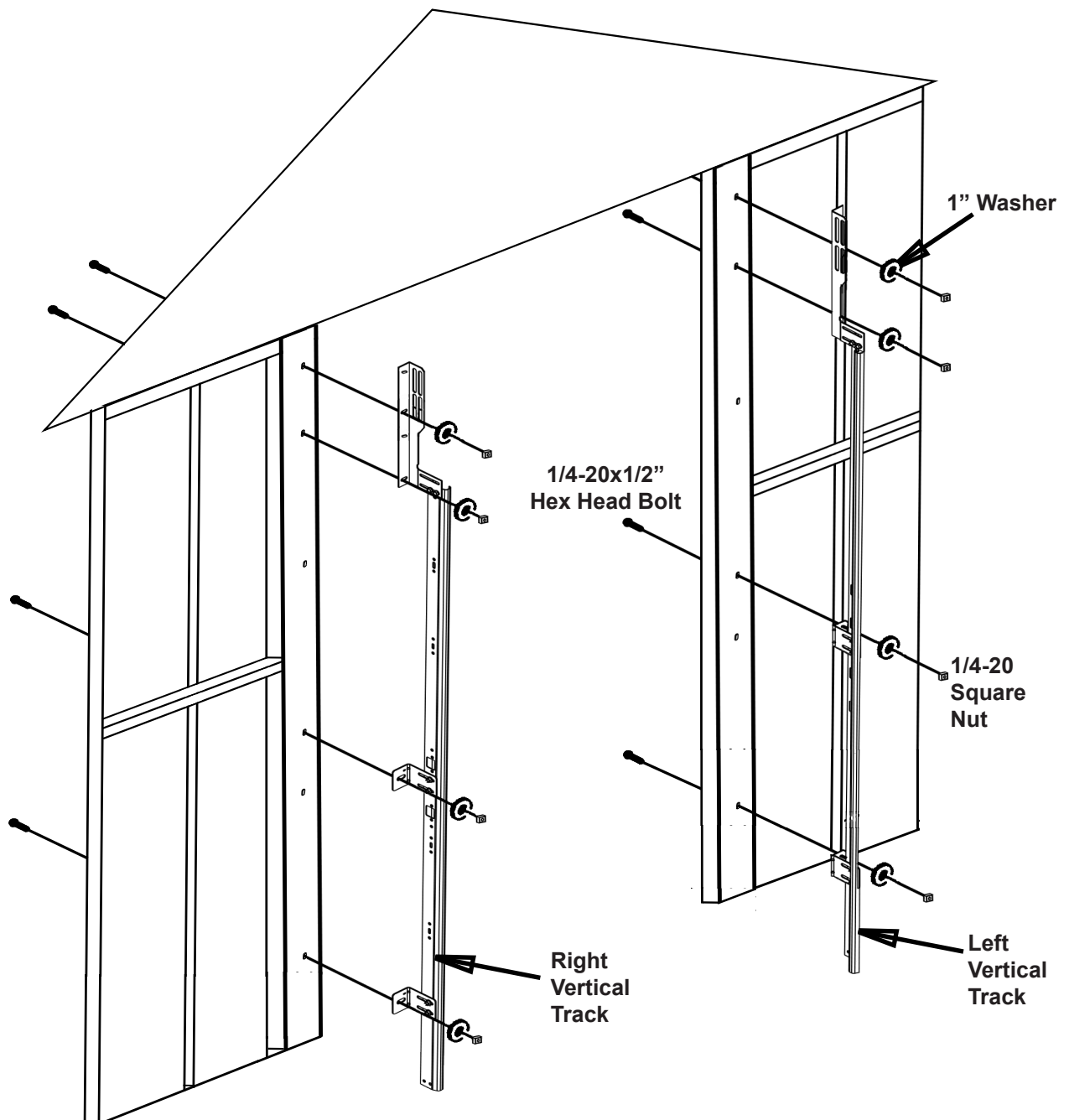


Step 29b: Track Installation

You will need for this page:



- 3** Fasten the vertical track and flag angle assembly to the door jamb using 1/4" Bolt and Hex Nut with 1" Washer. Follow the orientation as shown below. Do this for both the right and left vertical tracks.



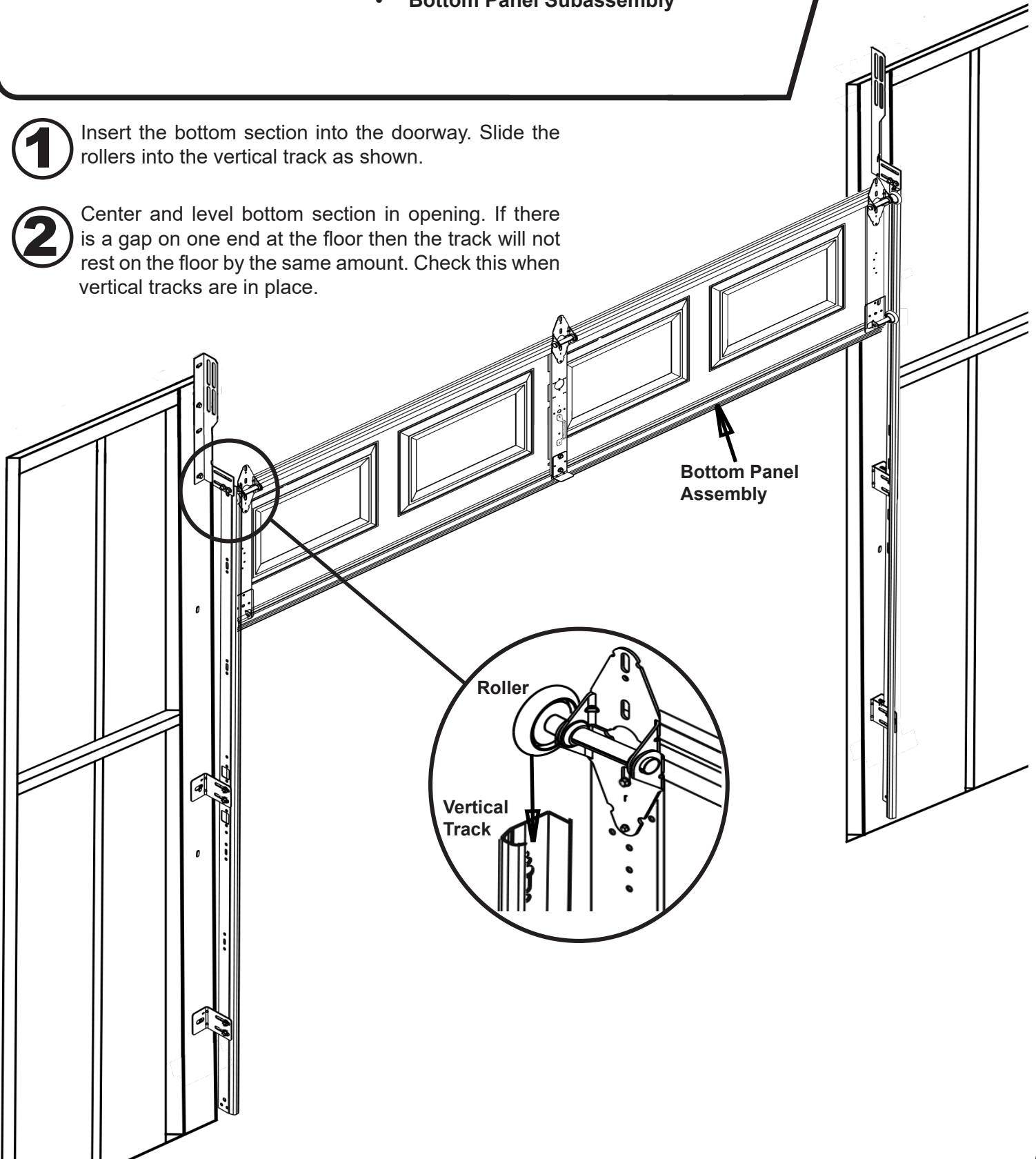
Step 30: Insert Panels

You will need for this page:

Assembly from Step 25:

- **Bottom Panel Subassembly**

- 1** Insert the bottom section into the doorway. Slide the rollers into the vertical track as shown.
- 2** Center and level bottom section in opening. If there is a gap on one end at the floor then the track will not rest on the floor by the same amount. Check this when vertical tracks are in place.



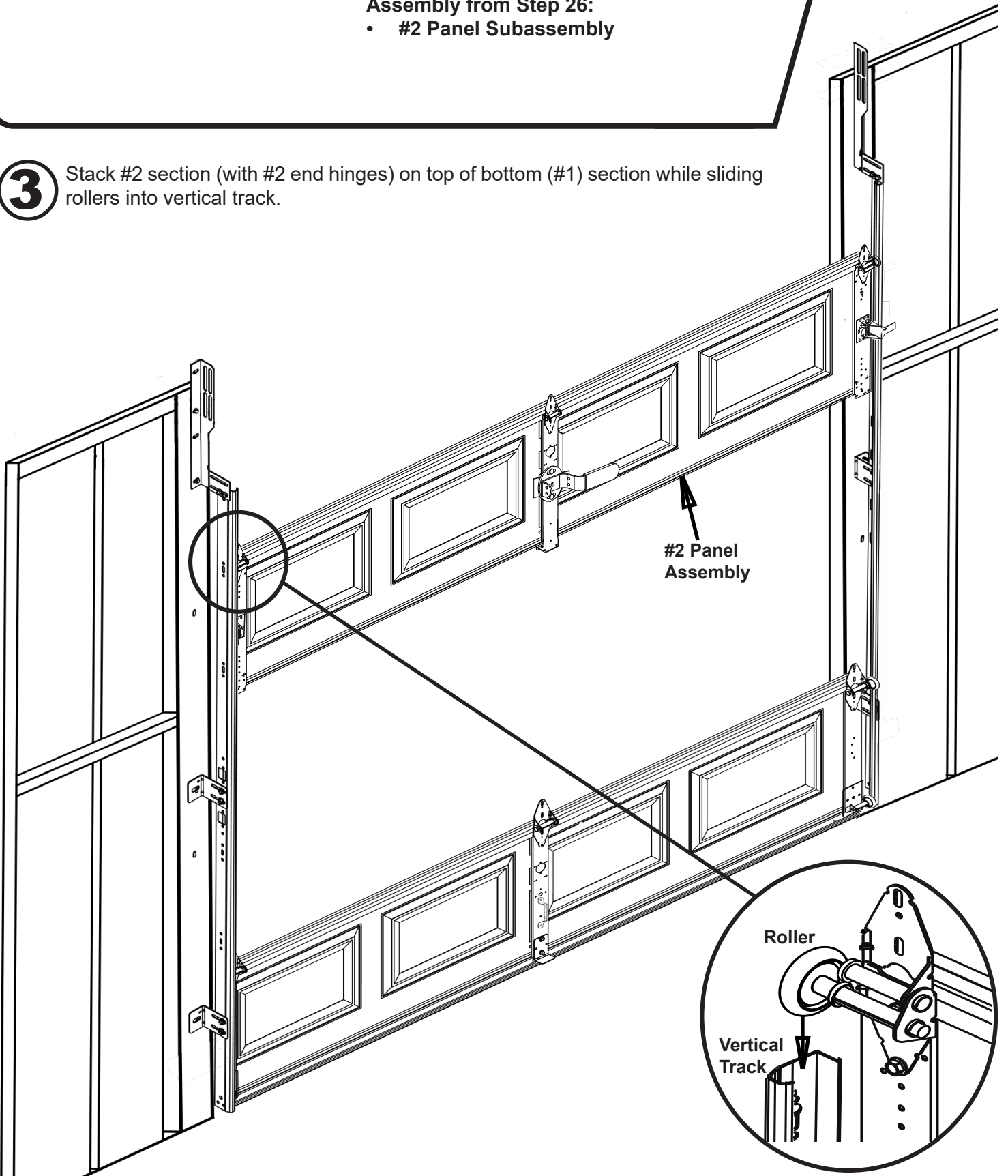
Step 30: Insert Panels

You will need for this page:

Assembly from Step 26:

- #2 Panel Subassembly

- 3** Stack #2 section (with #2 end hinges) on top of bottom (#1) section while sliding rollers into vertical track.

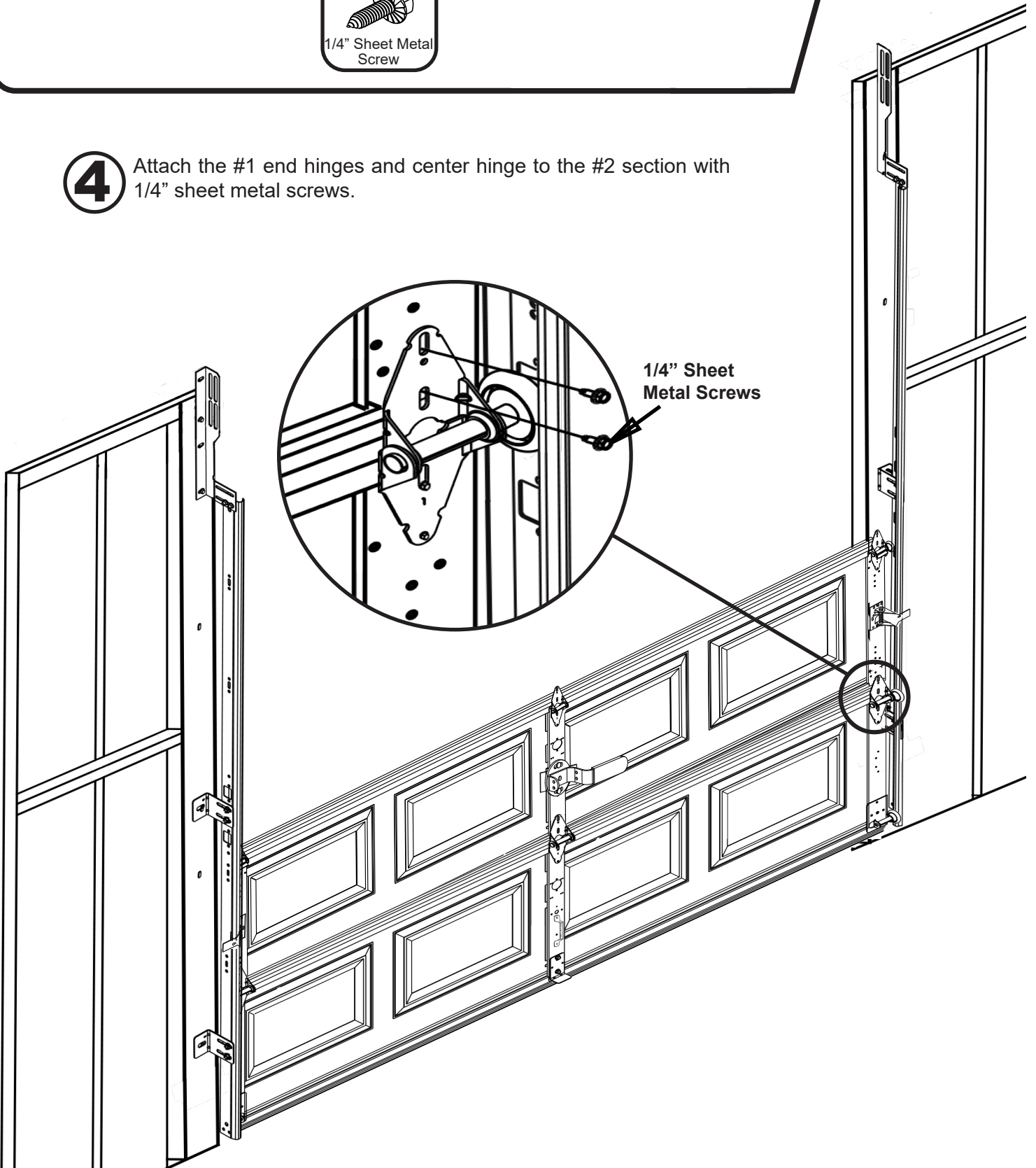


Step 30: Insert Panels

You will need for this page:



- 4** Attach the #1 end hinges and center hinge to the #2 section with 1/4" sheet metal screws.



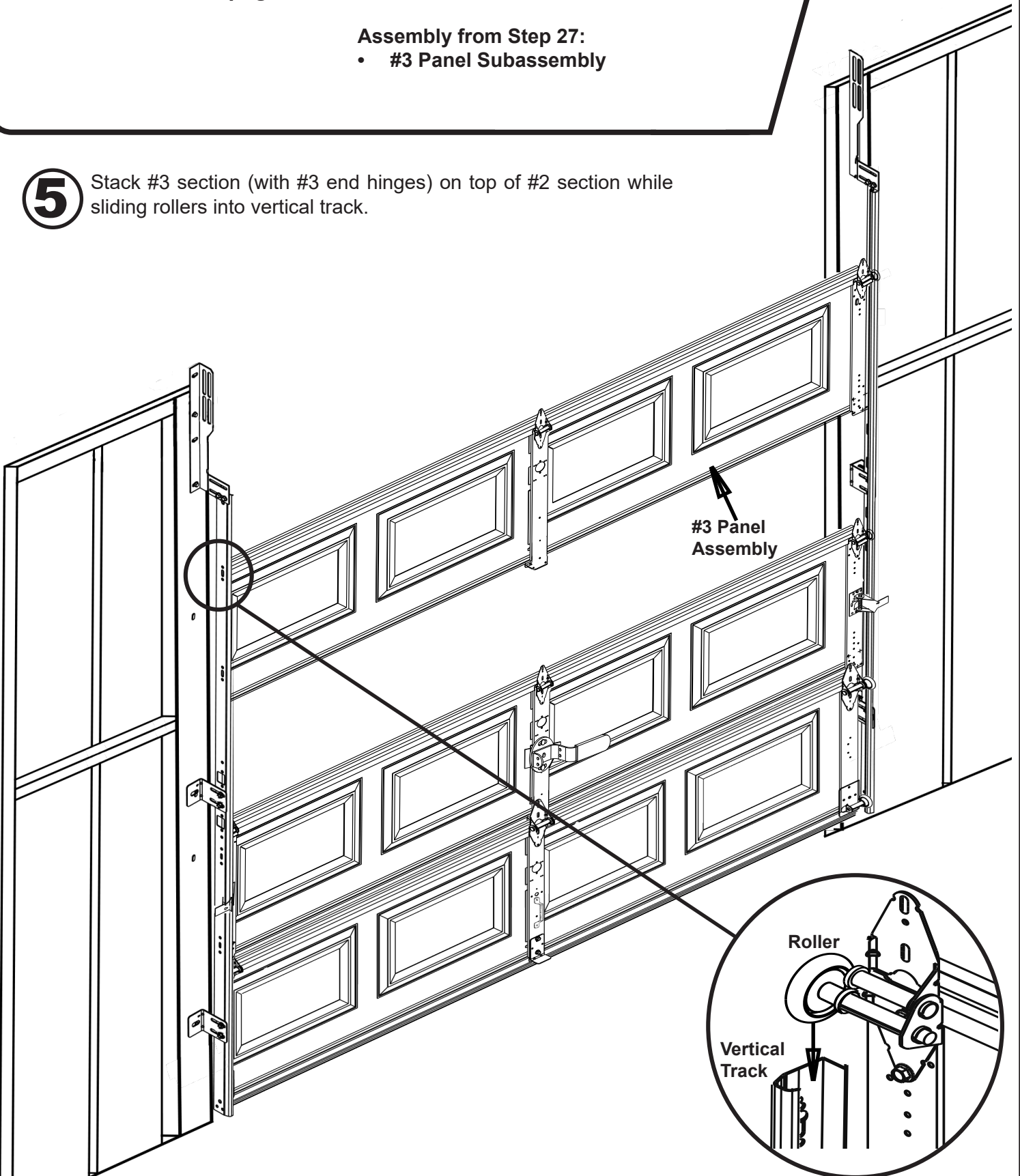
Step 30: Insert Panels

You will need for this page:

Assembly from Step 27:

- #3 Panel Subassembly

- 5** Stack #3 section (with #3 end hinges) on top of #2 section while sliding rollers into vertical track.

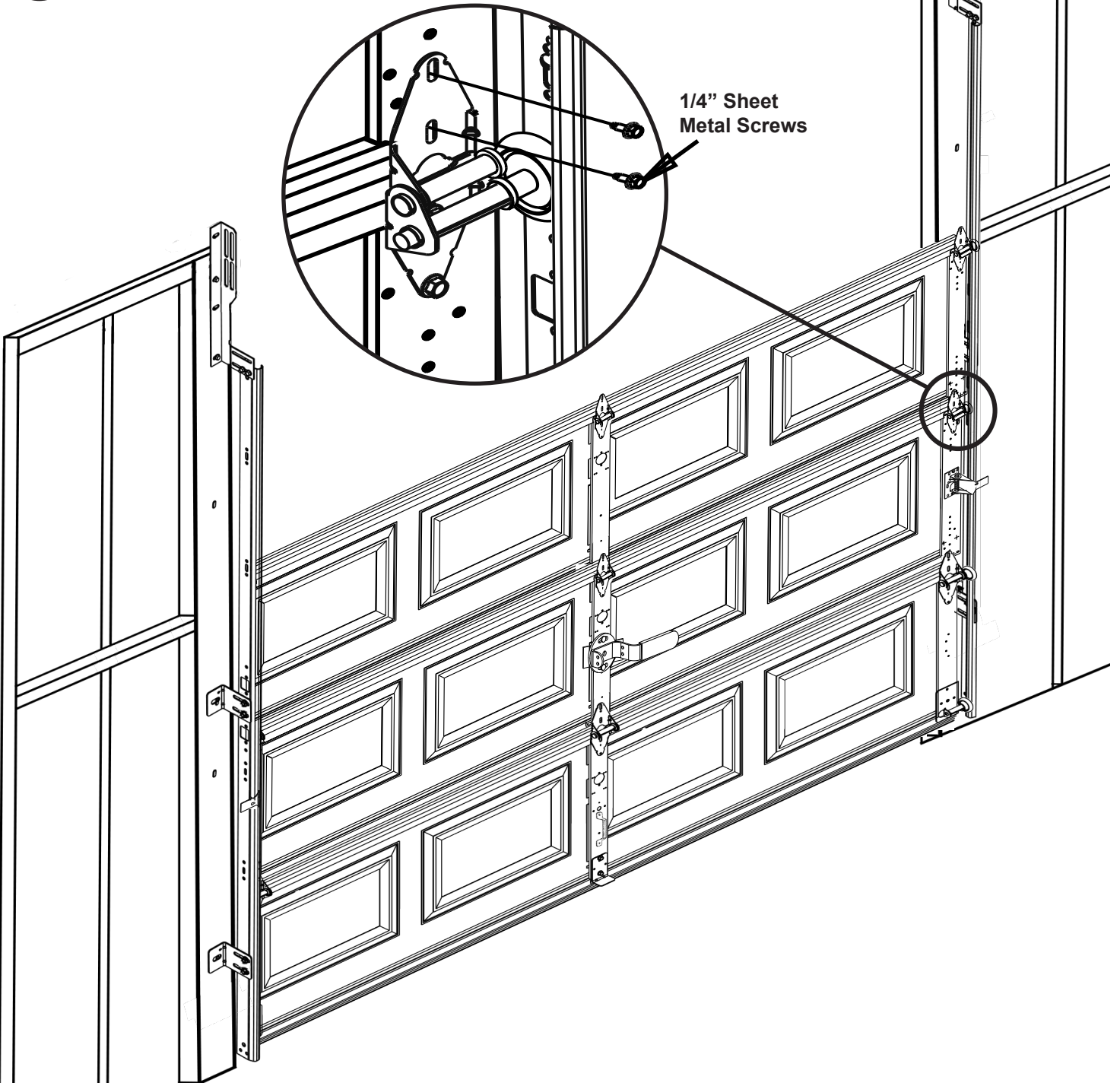


Step 30: Insert Panels

You will need for this page:



- 6** Attach the #2 end hinges and center hinge to the #3 section with 1/4" sheet metal screws.

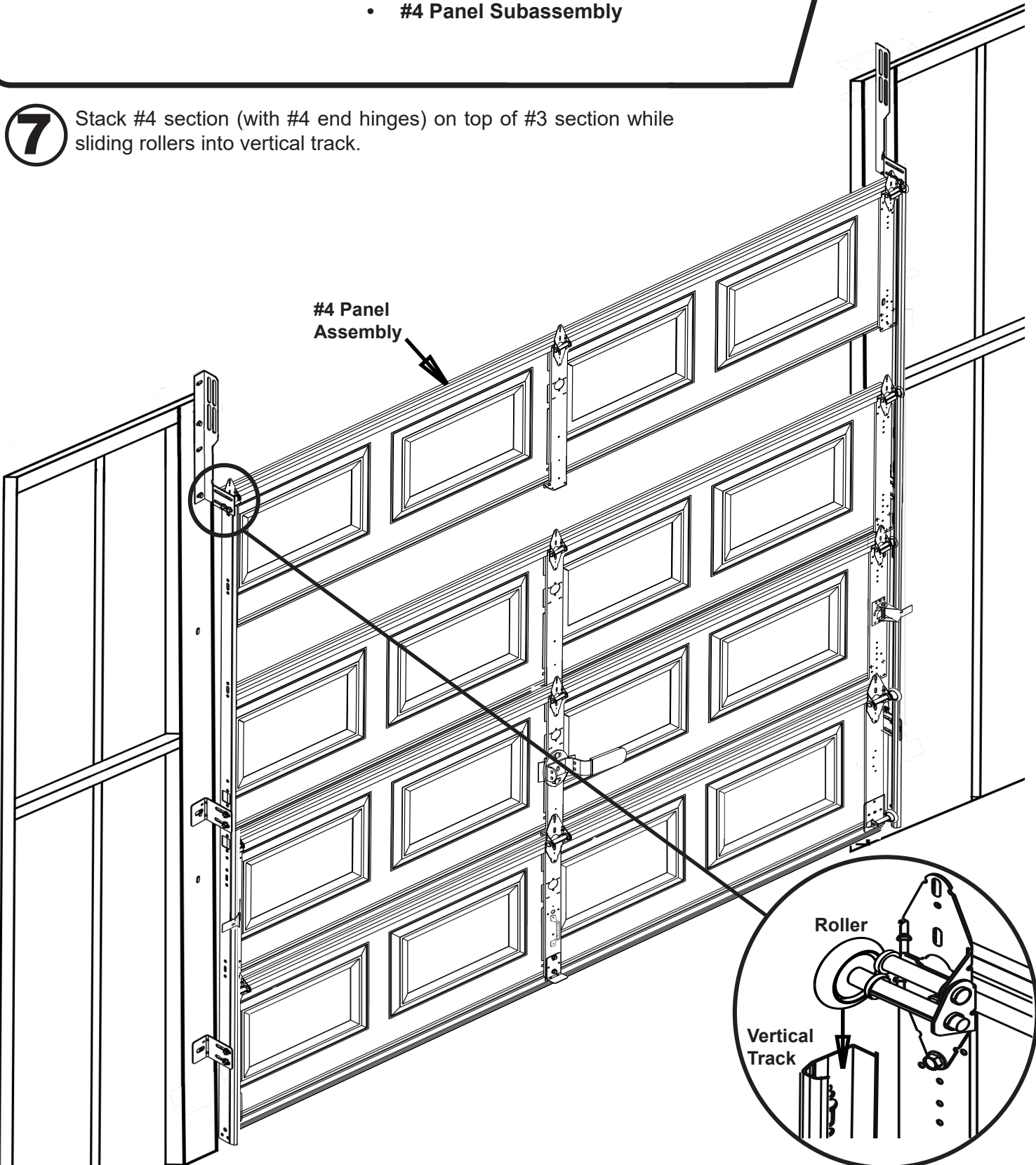


Step 30: Insert Panels

You will need for this page:

- Assemblies from Step 28:
- #4 Panel Subassembly

- 7** Stack #4 section (with #4 end hinges) on top of #3 section while sliding rollers into vertical track.

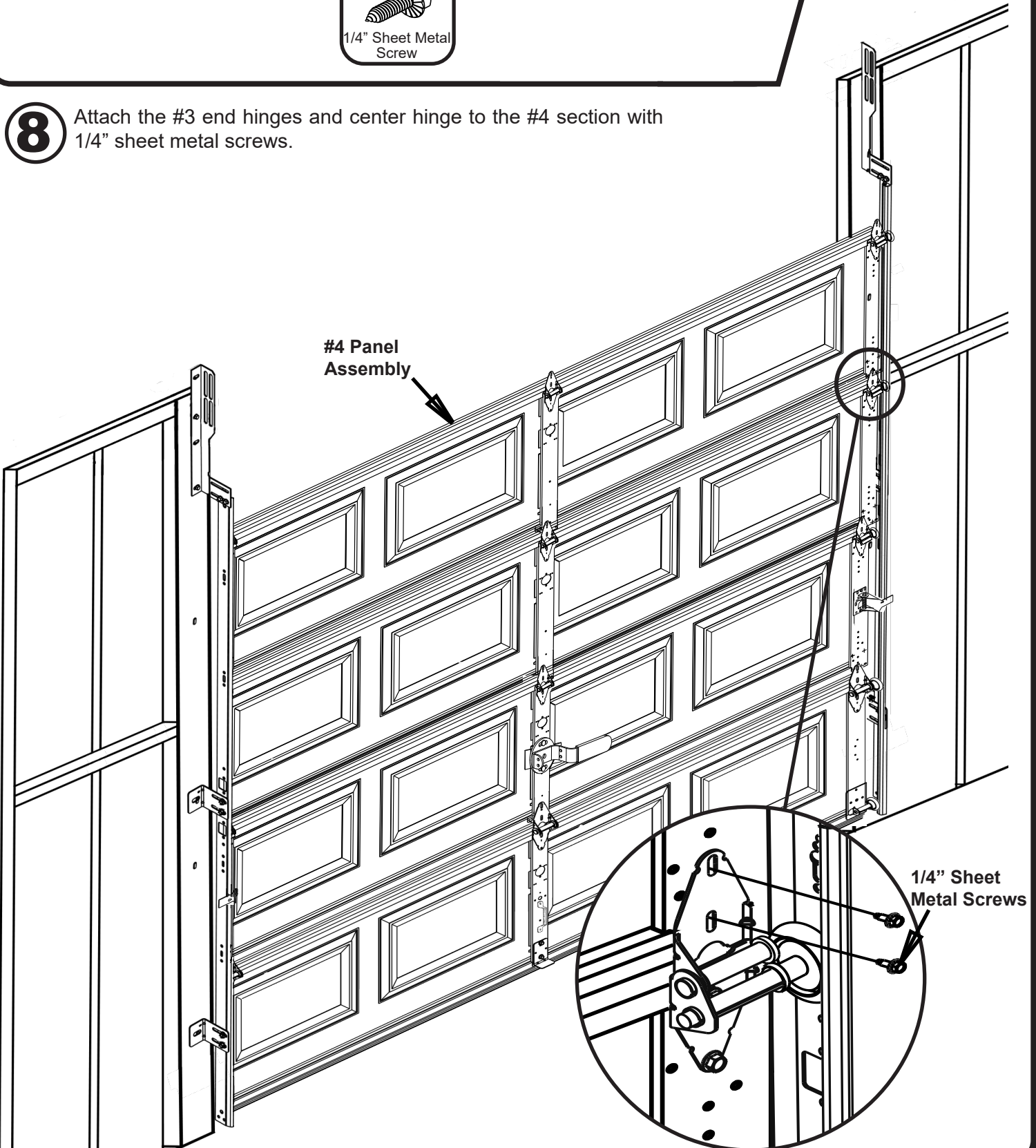


Step 30: Insert Panels

You will need for this page:



- 8** Attach the #3 end hinges and center hinge to the #4 section with 1/4" sheet metal screws.

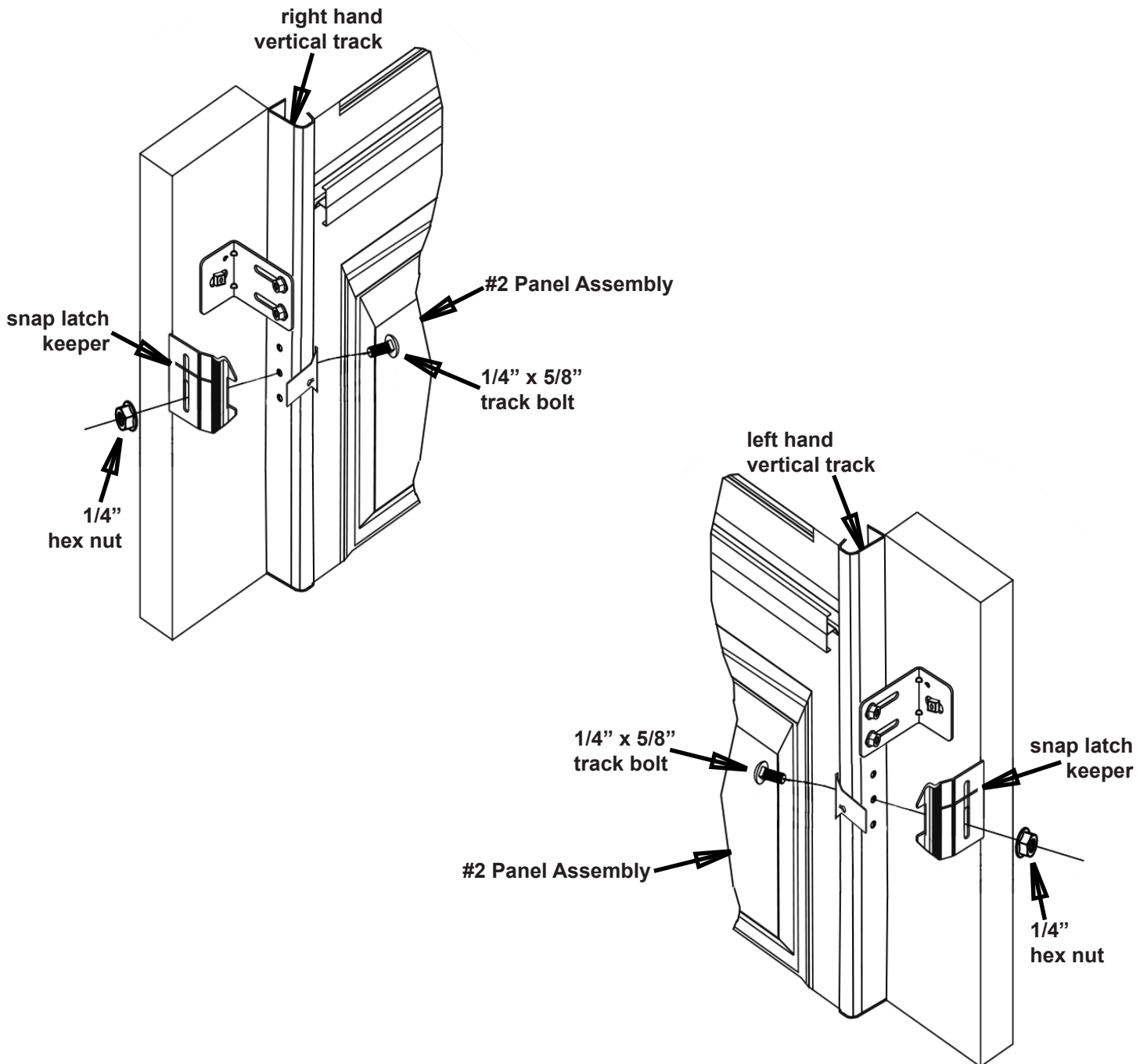


Step 31: Snap Latch Keeper

You will need for this page:

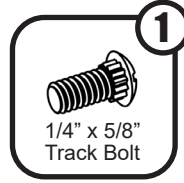
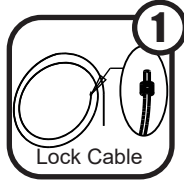


- 1** Attach a snap latch keeper to each vertical track using a bolt and nut.

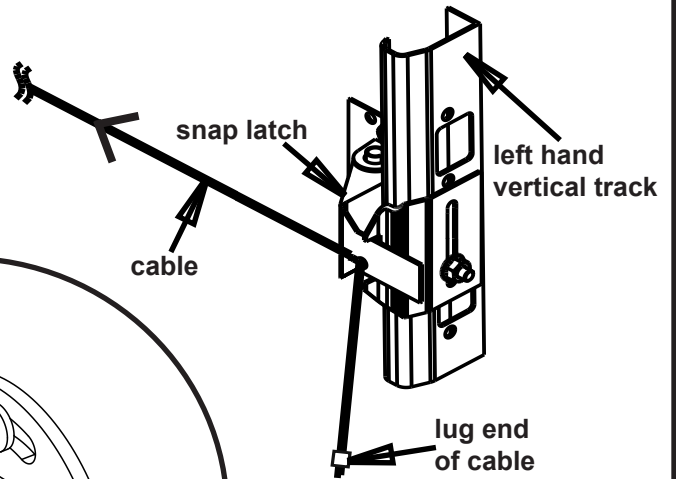


Step 32: Thread Cable

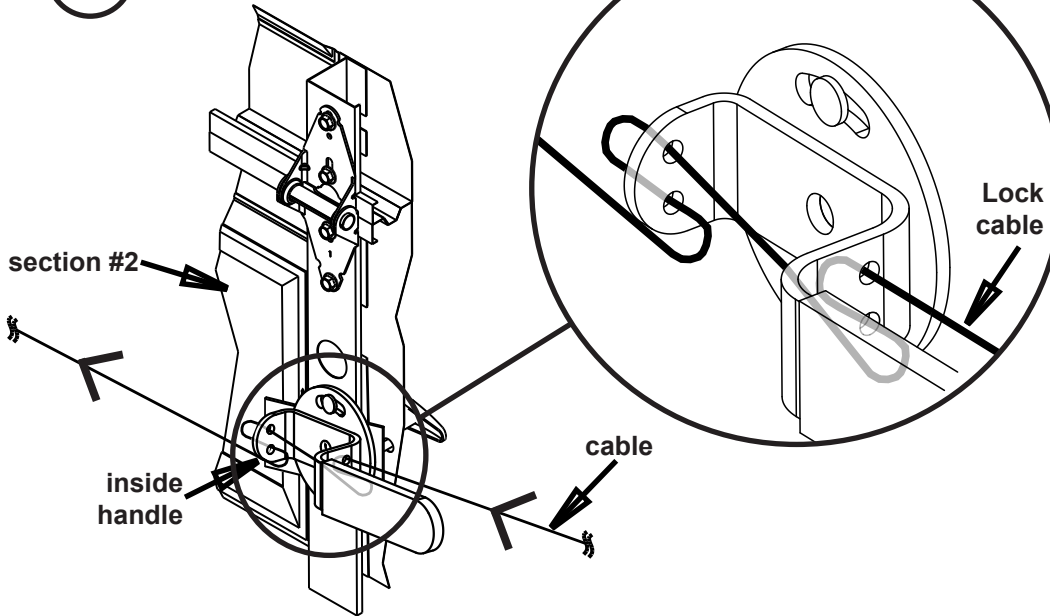
You will need for this page:



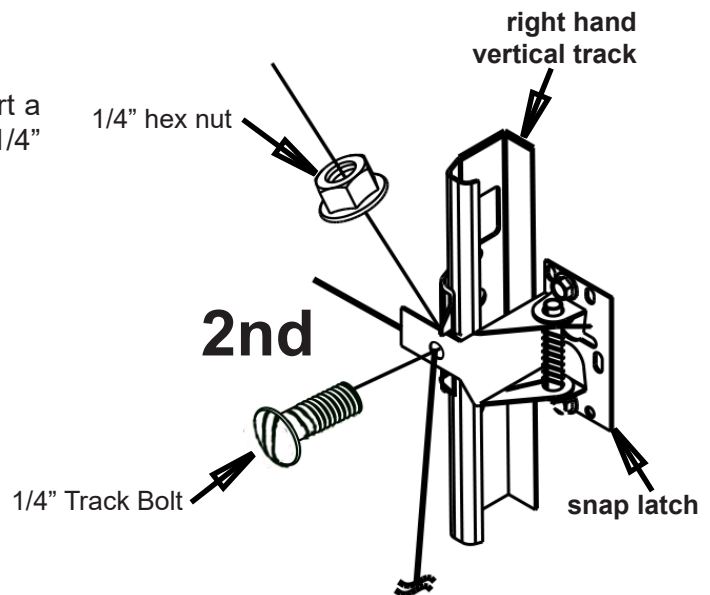
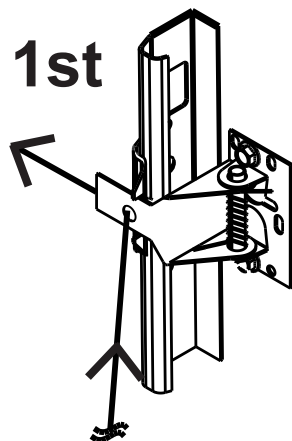
- 1** Insert lock cable through left snap latch hole, with the lug securing it in place. This prevents the cable from sliding out once tightened on the right latch.



- 2** Feed the cable through the inside handle.

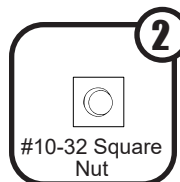
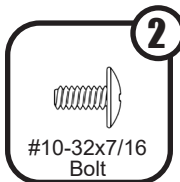
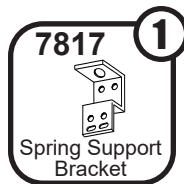


- 3** Thread cable through the snap latch. Insert a track bolt into the snap latch. Tighten with 1/4" wiz nut.

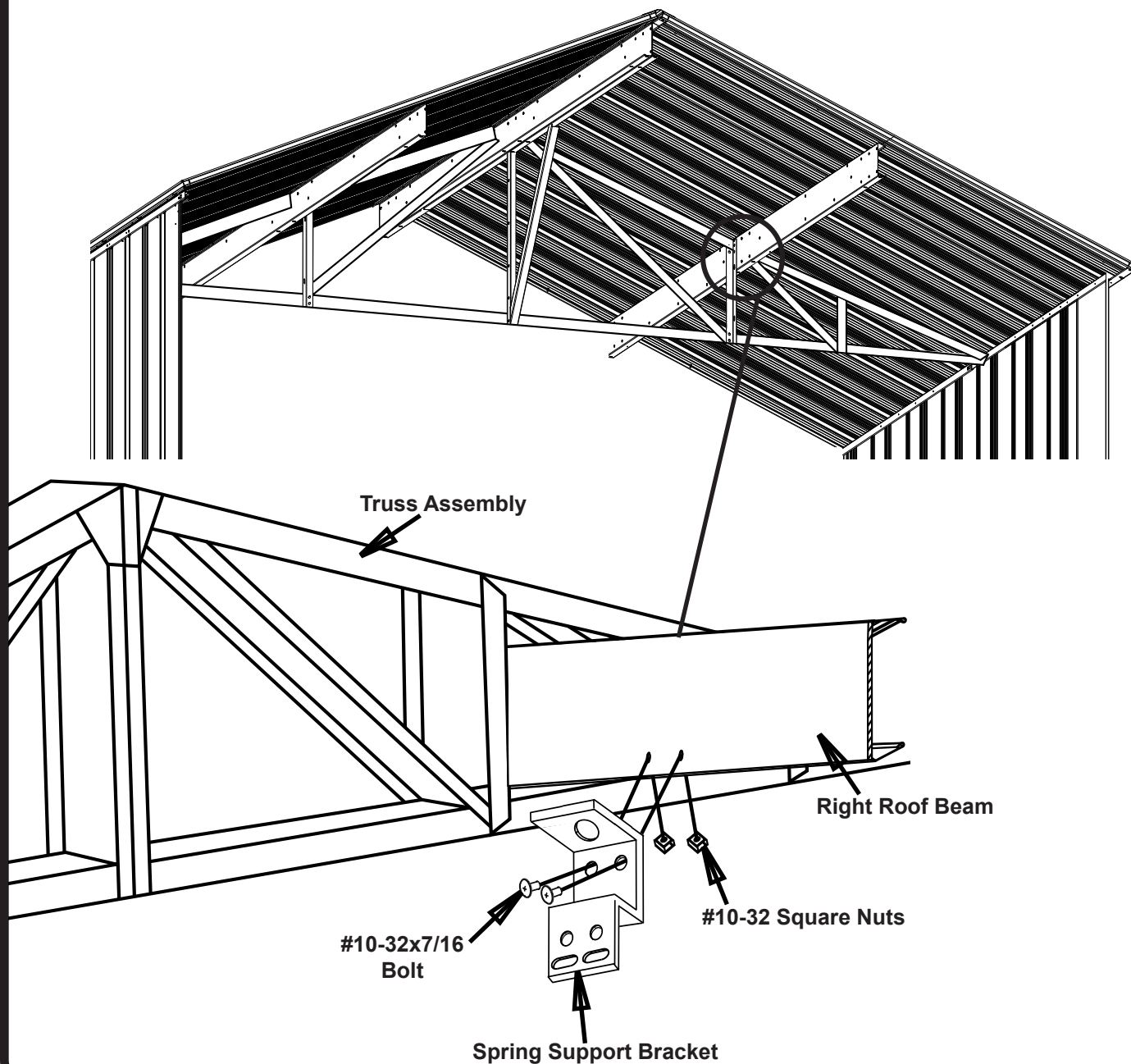


Step 33: Horizontal Track

You will need for this page:

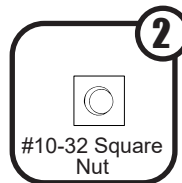
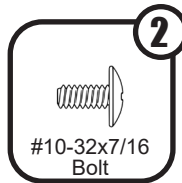
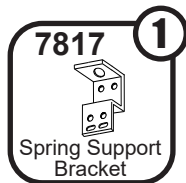


- 1** Attach the spring support bracket to the back of the right roof beam using two bolts and square nuts.

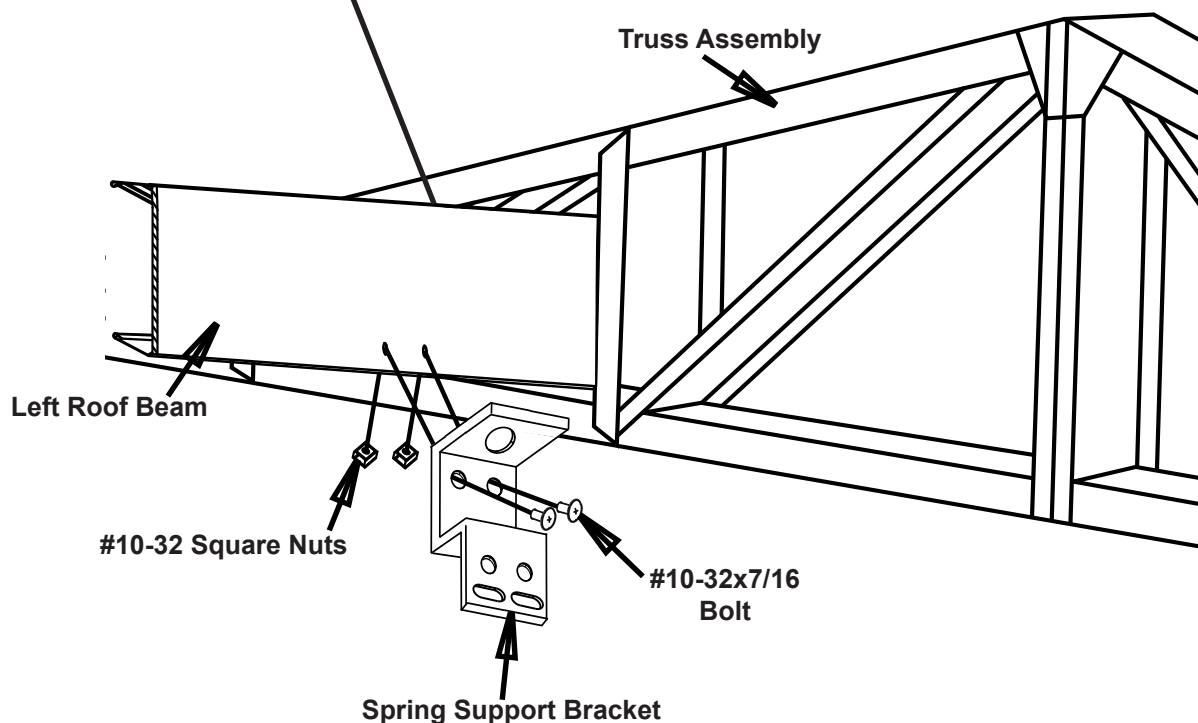
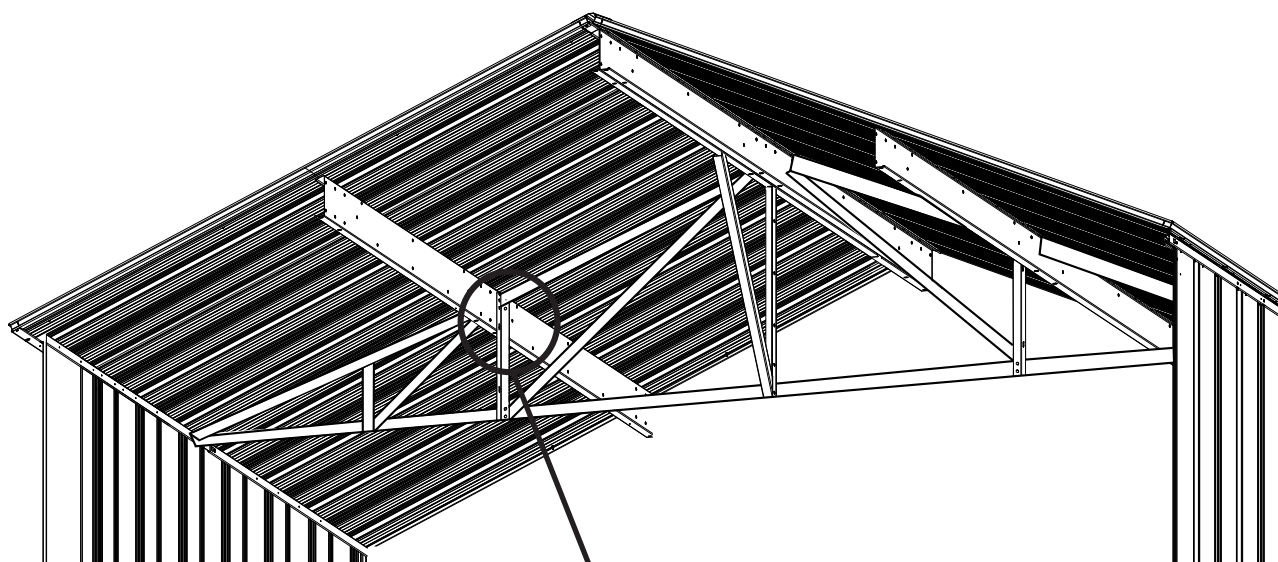


Step 33: Horizontal Track

You will need for this page:

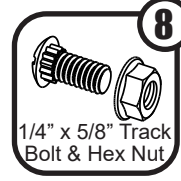


- 2** Attach the spring support bracket to the back of the left roof beam using two bolts and square nuts.



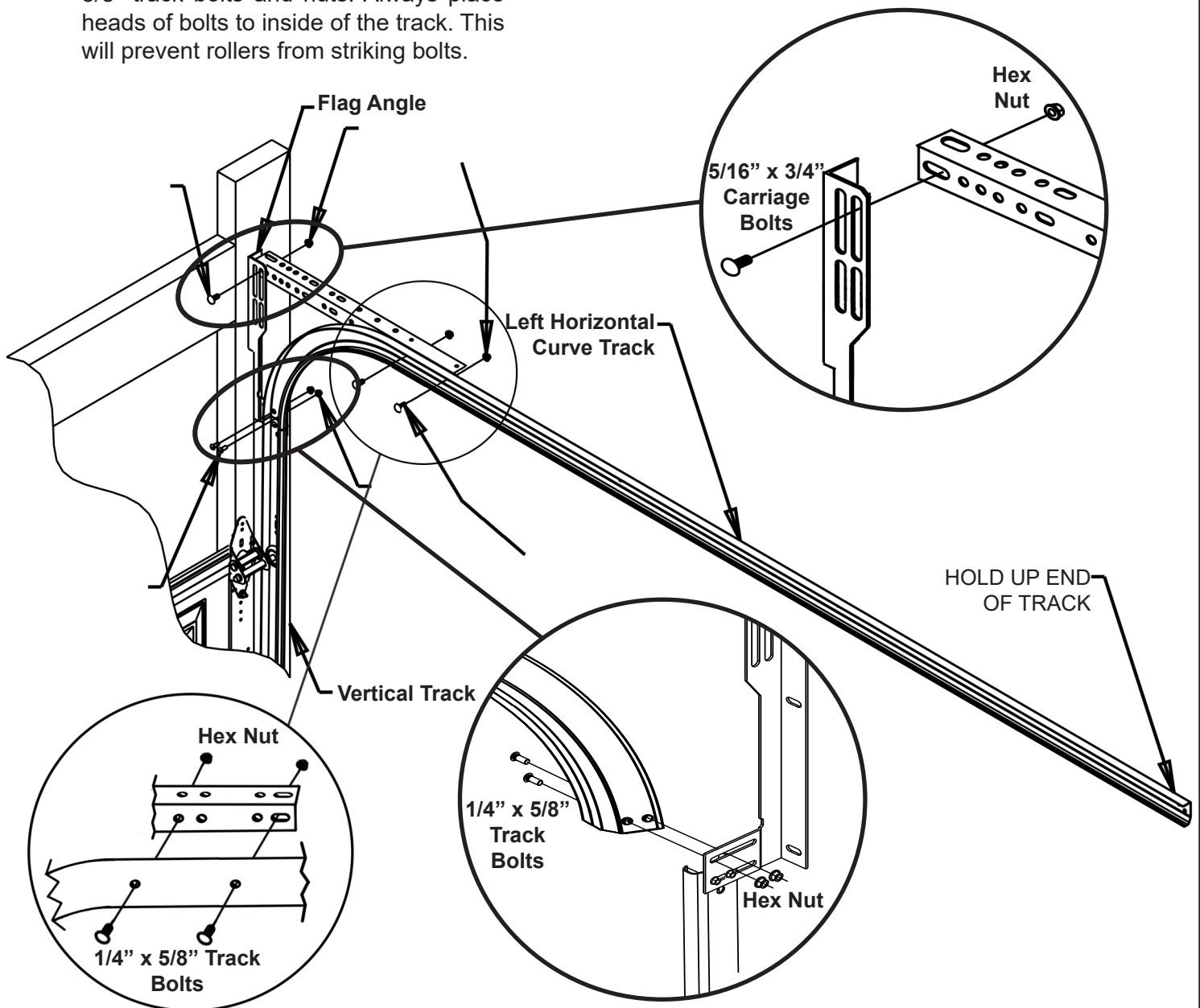
Step 33: Horizontal Track

You will need for this page:



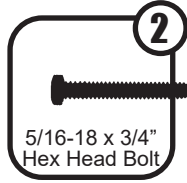
3 Have another person hold the end of the left horizontal curve track. Fasten the front of the track to flag angle with (2) 1/4" x 5/8" track bolts and nuts. Always place heads of bolts to inside of the track. This will prevent rollers from striking bolts.

4 Fasten horizontal angle bracket to horizontal curve track with (2) 1/4" x 5/8" track bolts and nuts, and then to flag angle with (1) 3/8" x 3/4" carriage bolt and nut.



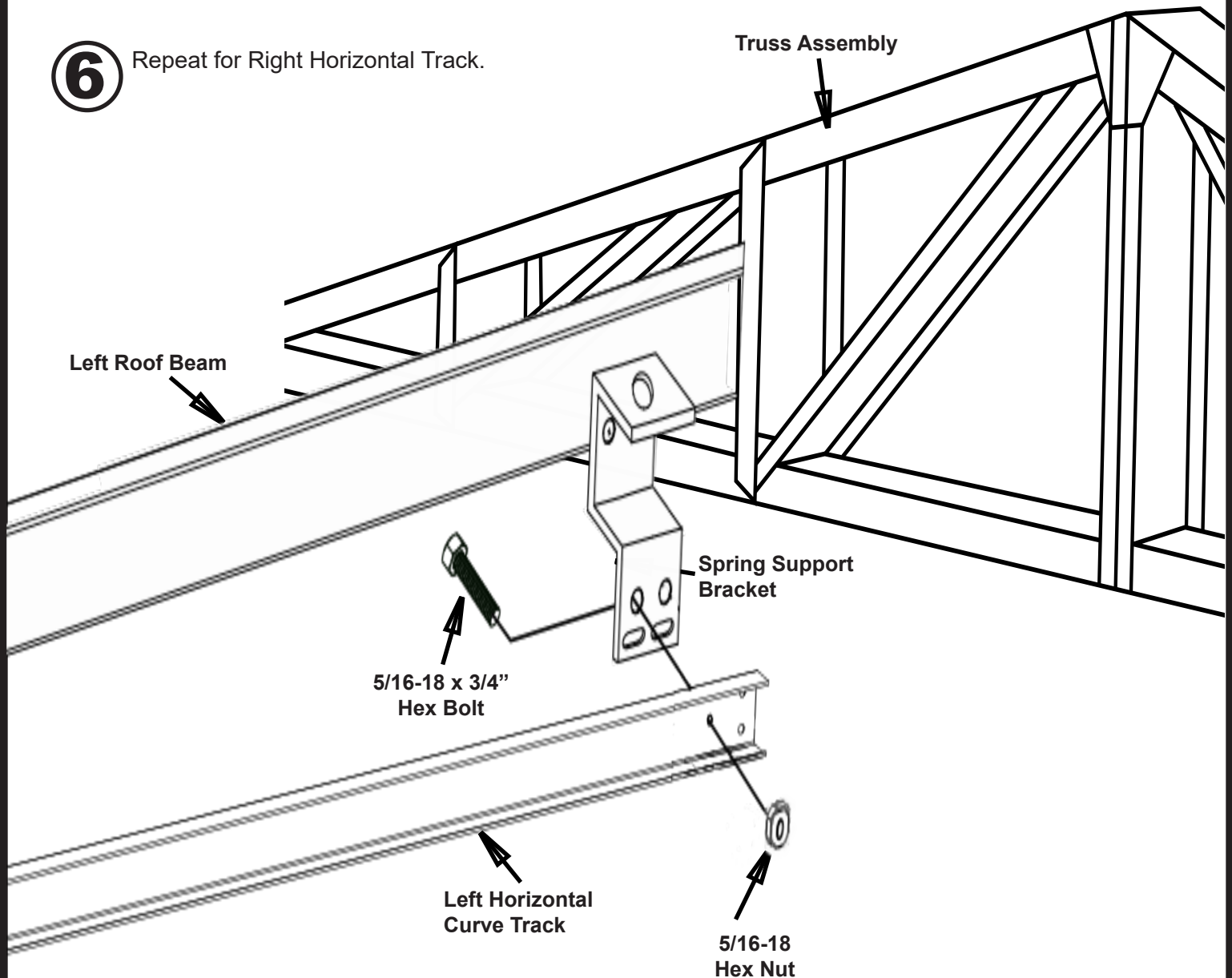
Step 33: Horizontal Track

You will need for this page:



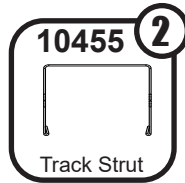
- 5** Attach the end of the Left Horizontal Curve Track to the Spring Support Bracket using a long bolt and hex nut as shown.

- 6** Repeat for Right Horizontal Track.

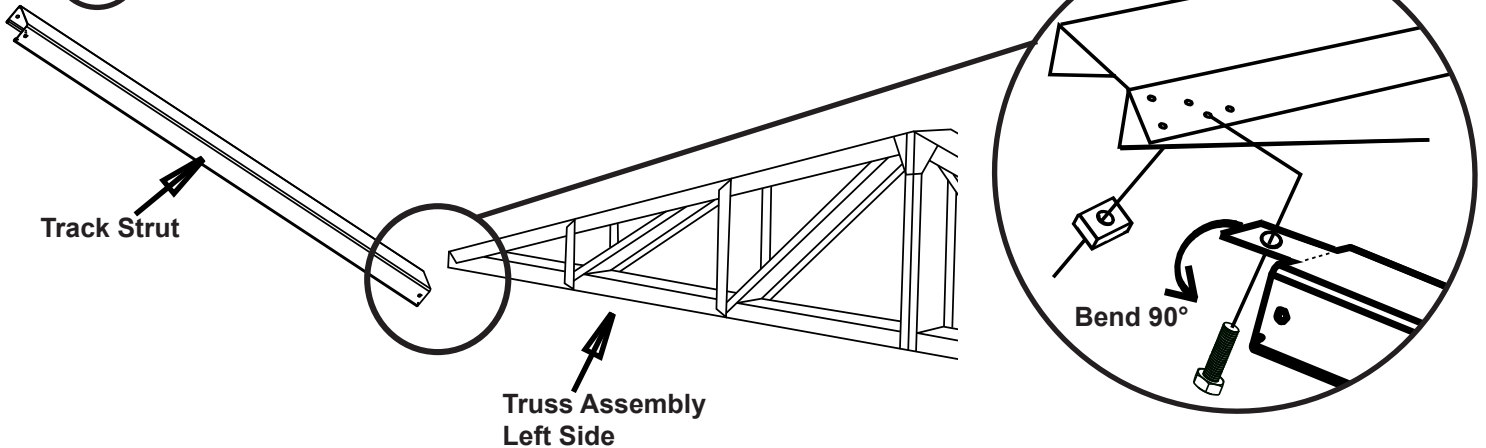


Step 33: Horizontal Track

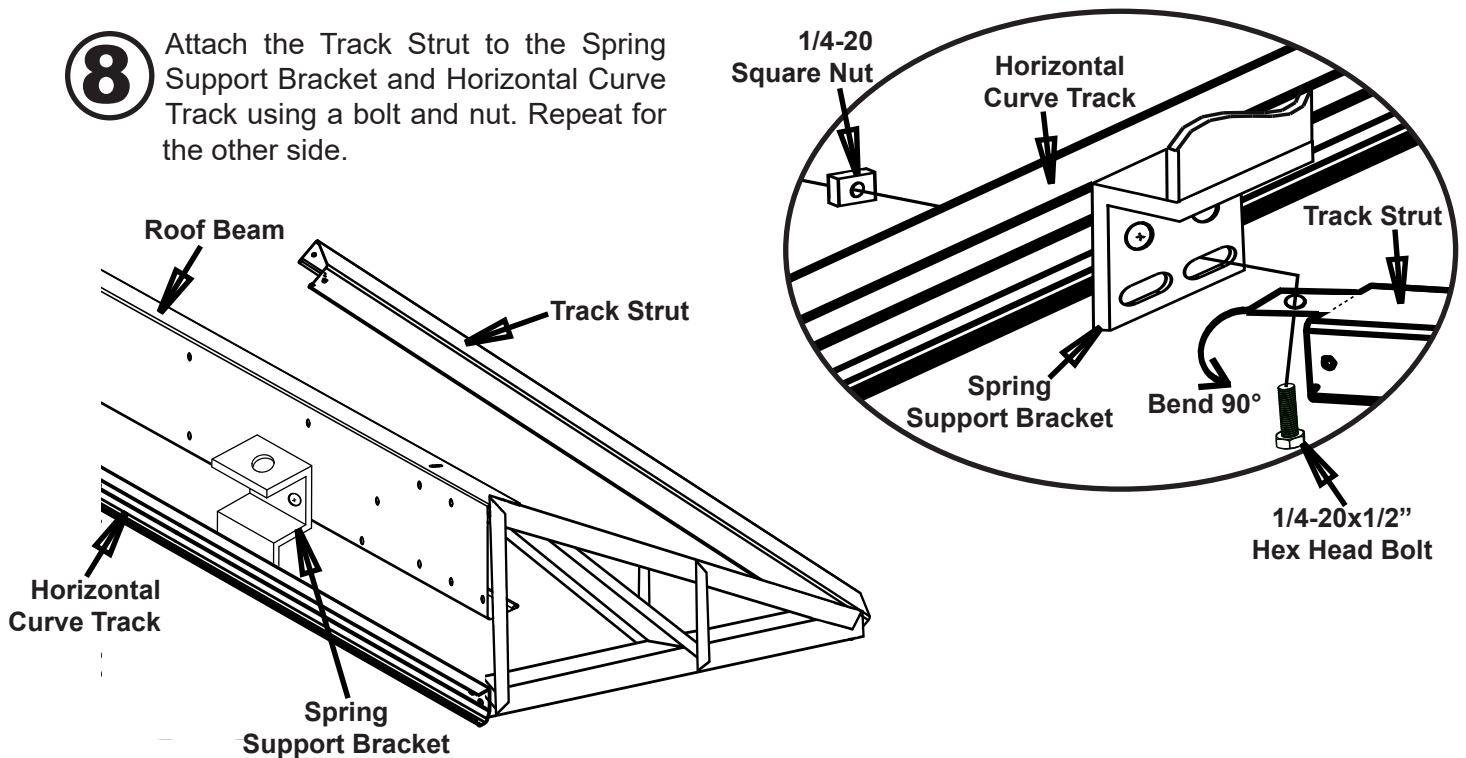
You will need for this page:



- 7** Bend the tabs on the Track Strut approximately 90° and attach to the Truss Assembly using a bolt and nut.



- 8** Attach the Track Strut to the Spring Support Bracket and Horizontal Curve Track using a bolt and nut. Repeat for the other side.



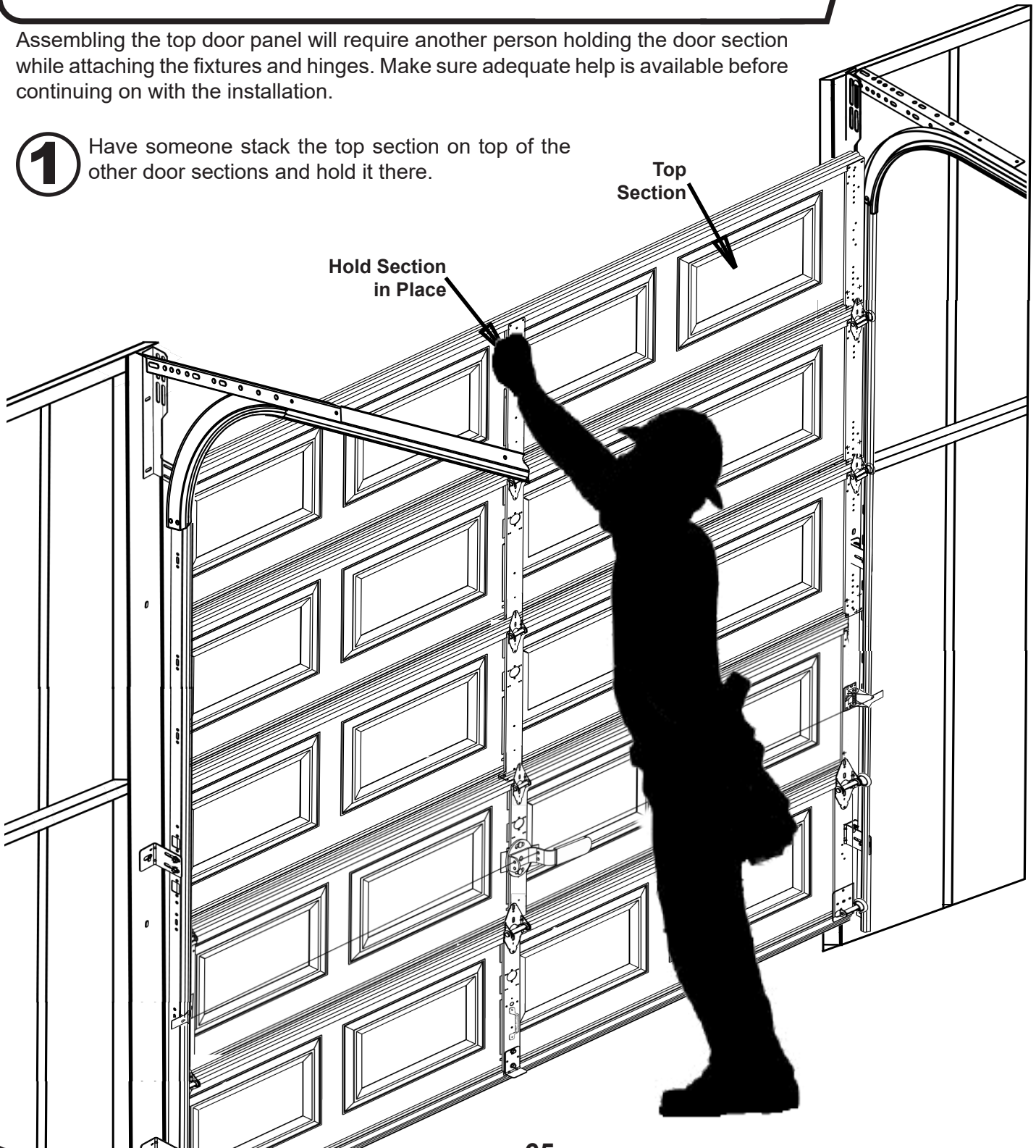
Step 34: Insert Top Panel

You will need for this page:



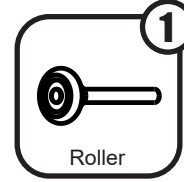
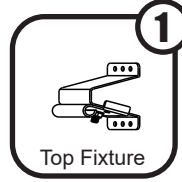
Assembling the top door panel will require another person holding the door section while attaching the fixtures and hinges. Make sure adequate help is available before continuing on with the installation.

- 1** Have someone stack the top section on top of the other door sections and hold it there.

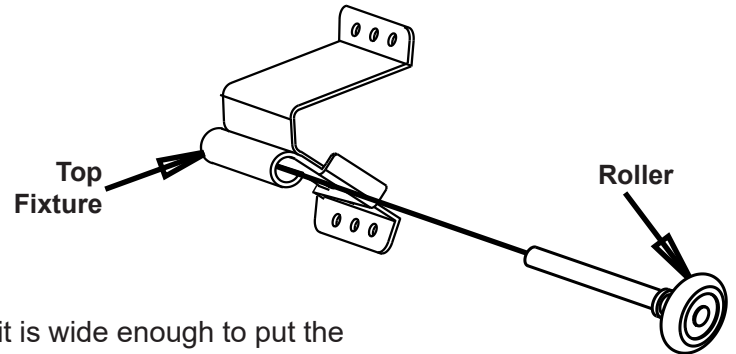


Step 34: Insert Top Panel

You will need for this page:

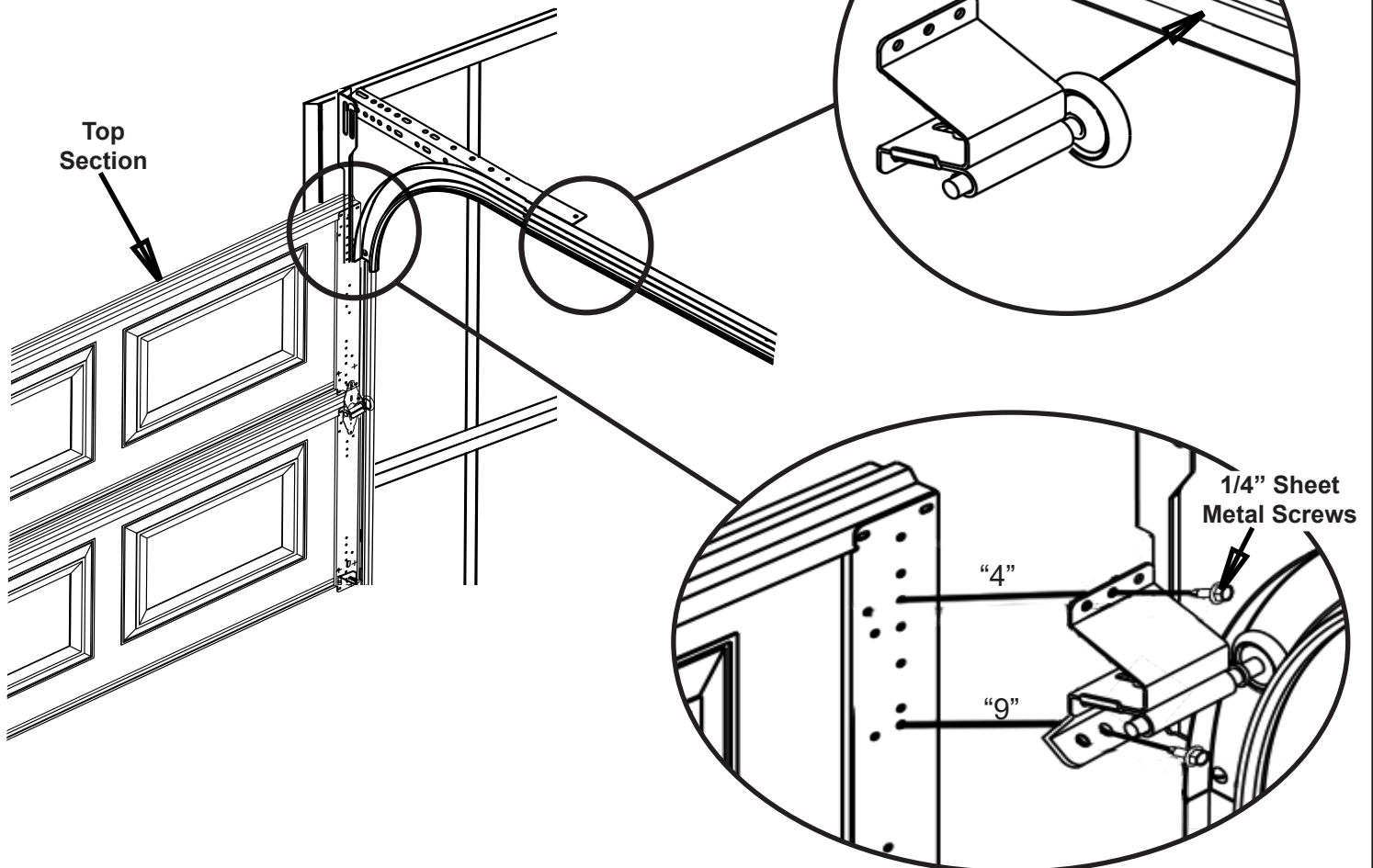


- 2** Place a roller inside of a top fixture.



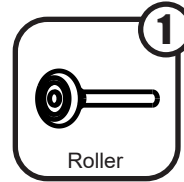
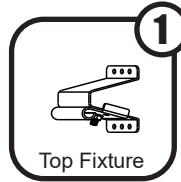
- 3** Slide the roller into the horizontal track where it is wide enough to put the roller as shown. You may have to angle it in.

- 4** Slide the roller through the track so it lines up with the top track. Attach the top fixture to the top section using 1/4" sheet metal screws in holes "4" and "9".

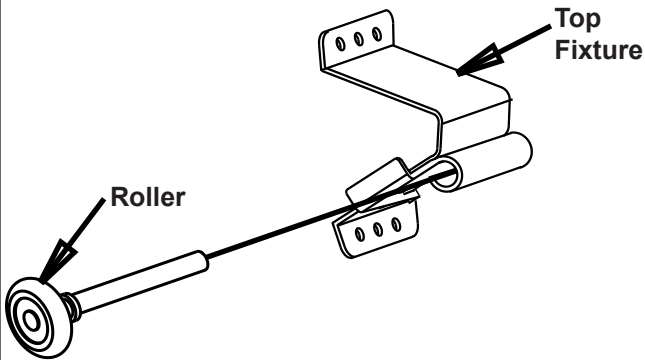


Step 34: Insert Top Panel

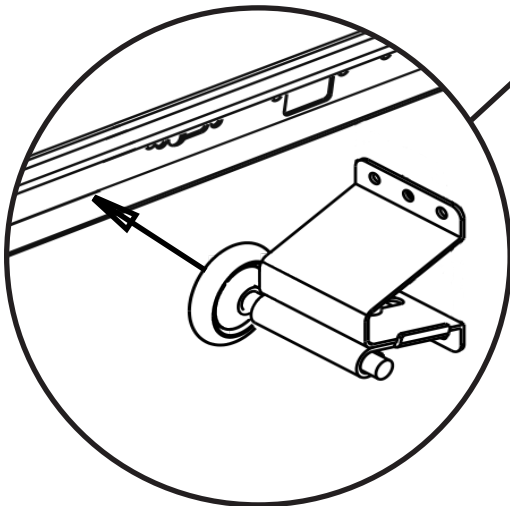
You will need for this page:



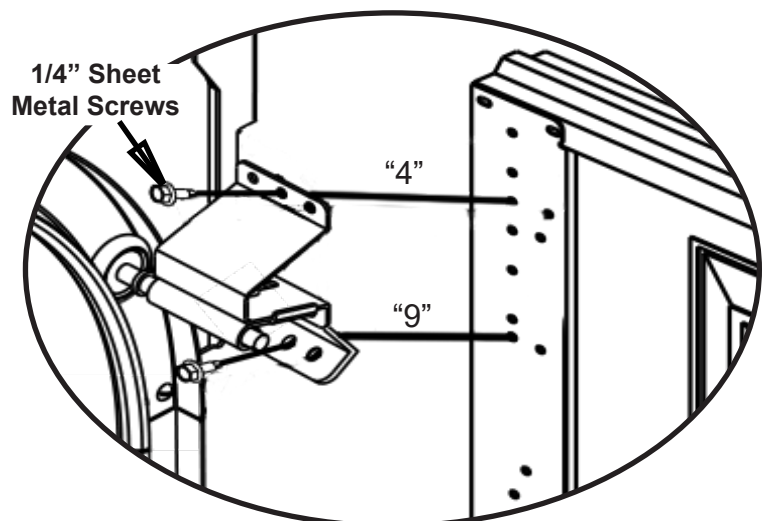
- 5** Place another roller into the other top fixture.



- 6** Slide the roller into the horizontal track where it is wide enough to put the roller as shown. You may have to angle it in.



- 7** Slide the roller through the track so it lines up with the top track. Attach the top fixture to the top section using 1/4" sheet metal screws in holes "4" and "9".

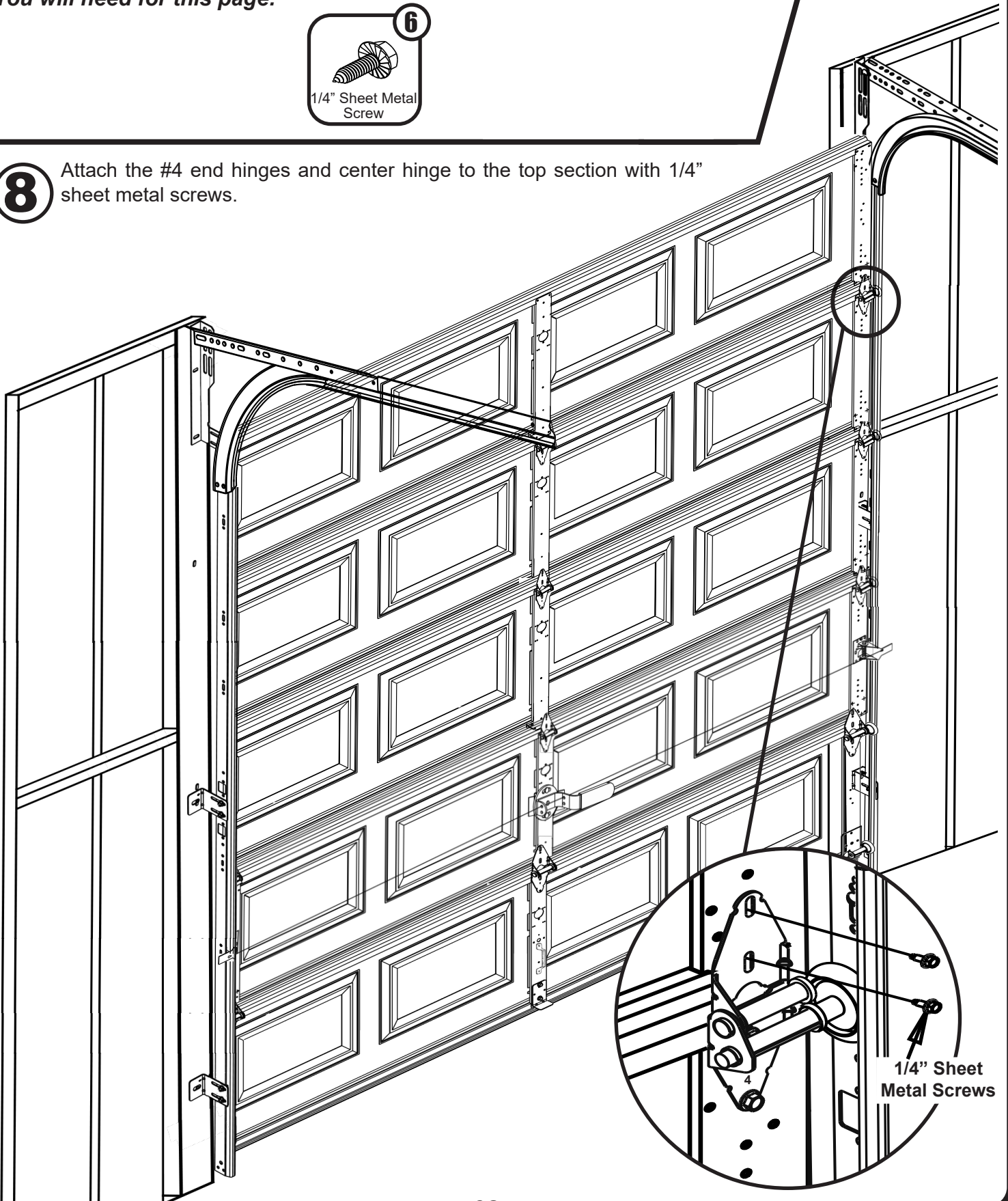


Step 34: Insert Top Panel

You will need for this page:



- 8 Attach the #4 end hinges and center hinge to the top section with 1/4" sheet metal screws.



Spring Assembly Preparation

Check all spring assembly instructions and parts.

Warning! If there appears to be any parts missing stop here and contact your Arrow Customer Service immediately. Do not substitute parts.

Warning! Do not remove any factory applied spring tag or warning label! If any tags or labels are missing or unreadable, contact your Arrow Customer Service immediately.

Warning! Never place your fingers in or near section joints while the door is moving.

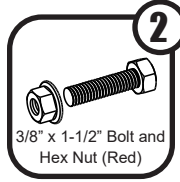
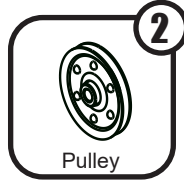
Take time to study the parts and identify them.

Extension Springs: Extension springs mount alongside the horizontal track. They stretch as the door is closed and contract as the door opens. This type of spring is always used in pairs, one on each side of the door. Both springs are the same, it will not matter which one you assemble first.

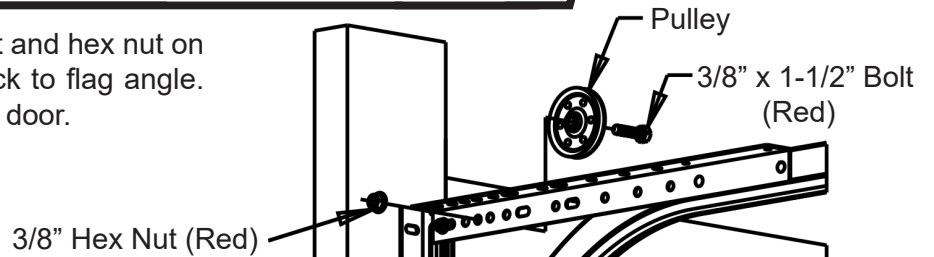
Safety Cable: Extension springs can cause severe damage, personal injury or even death if they are not properly restrained. In the event of a spring failure the safety cable will prevent the spring from being propelled away from the door.

Step 35: Extension Spring Assembly

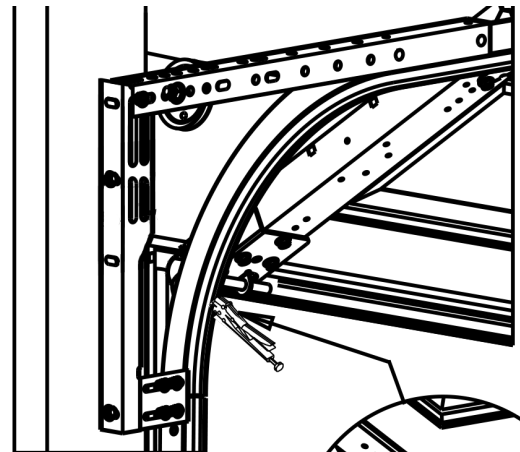
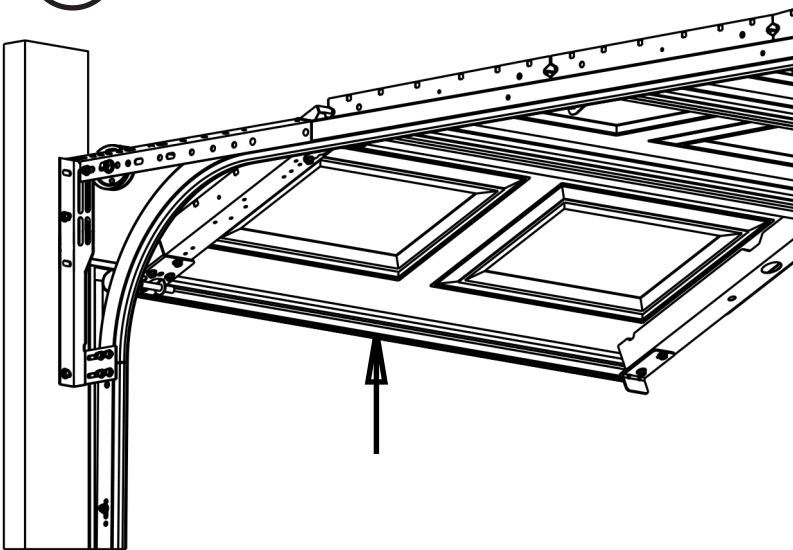
You will need for this page:



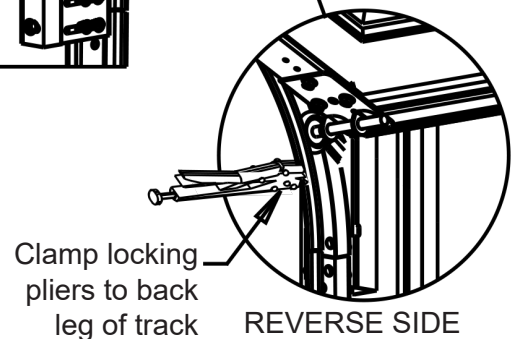
- 1** Attach pulley with a 3/8" x 1-1/2" bolt and hex nut on angle which attaches horizontal track to flag angle. Repeat this step for opposite side of door.



- 2** With a minimum of two people, raise door to fully open position.

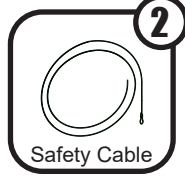
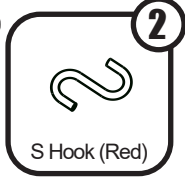
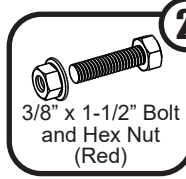
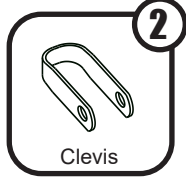
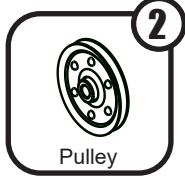


- 3** Secure the door firmly at both sides with locking pliers. Connected to the track as shown.

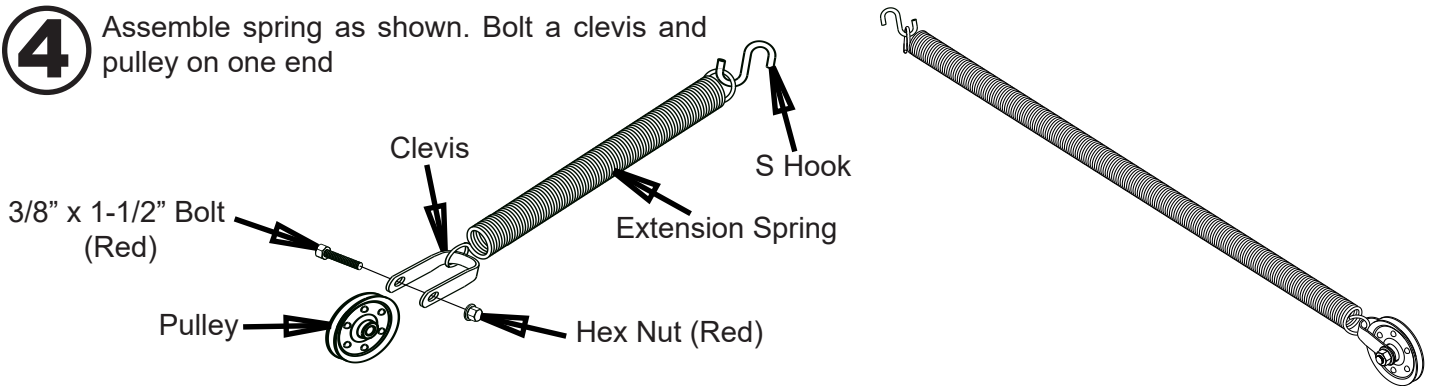


Step 35: Extension Spring Assembly

You will need for this page:



- 4** Assemble spring as shown. Bolt a clevis and pulley on one end

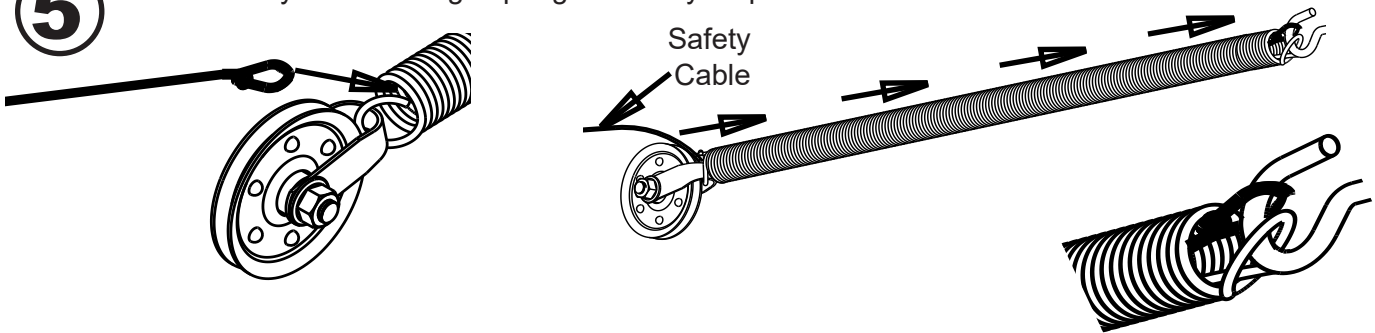


Warning! Extension springs can cause severe damage, personal injury or even death if they are not properly restrained. In the event of a spring failure the safety cable will prevent the spring from being propelled away from the door.

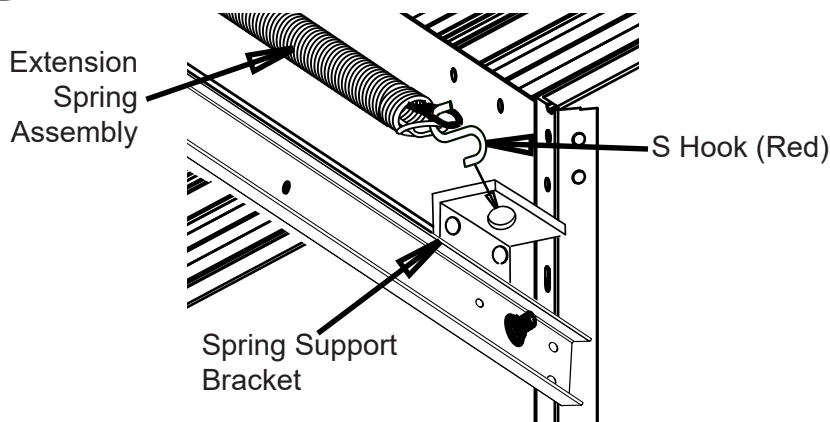
Both springs are the same, it will not matter which one you assemble first.

The spring cable is thicker than the safety cable. Be sure to use the correct cable for the appropriate step.

- 5** Thread safety cable through spring assembly. Clip the cable on the S Hook.

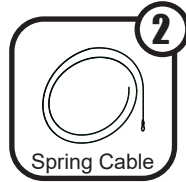


- 6** Hang the hook attached to the spring assembly end to the spring support bracket.

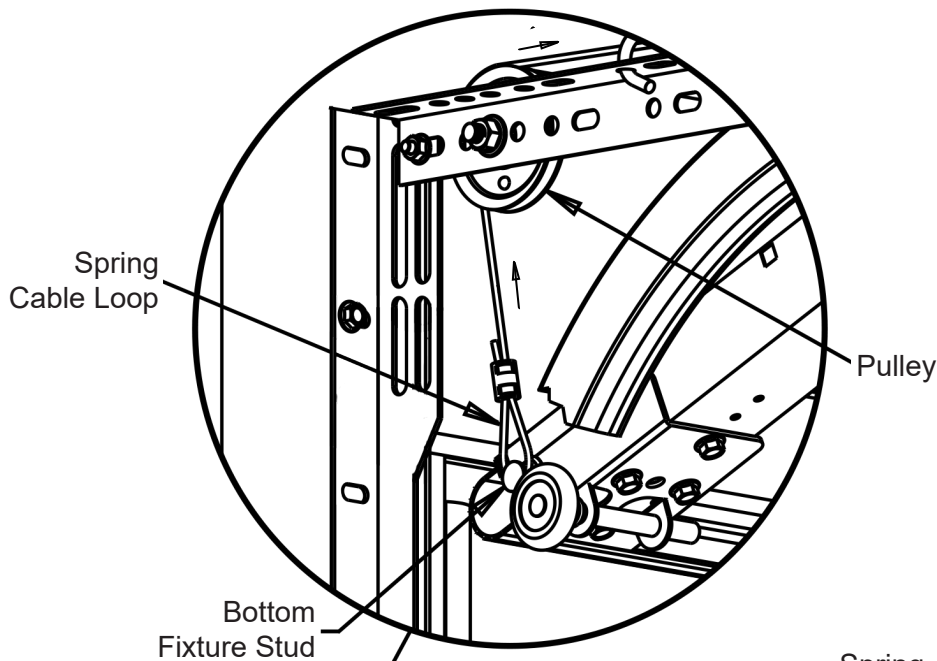


Step 35: Extension Spring Assembly

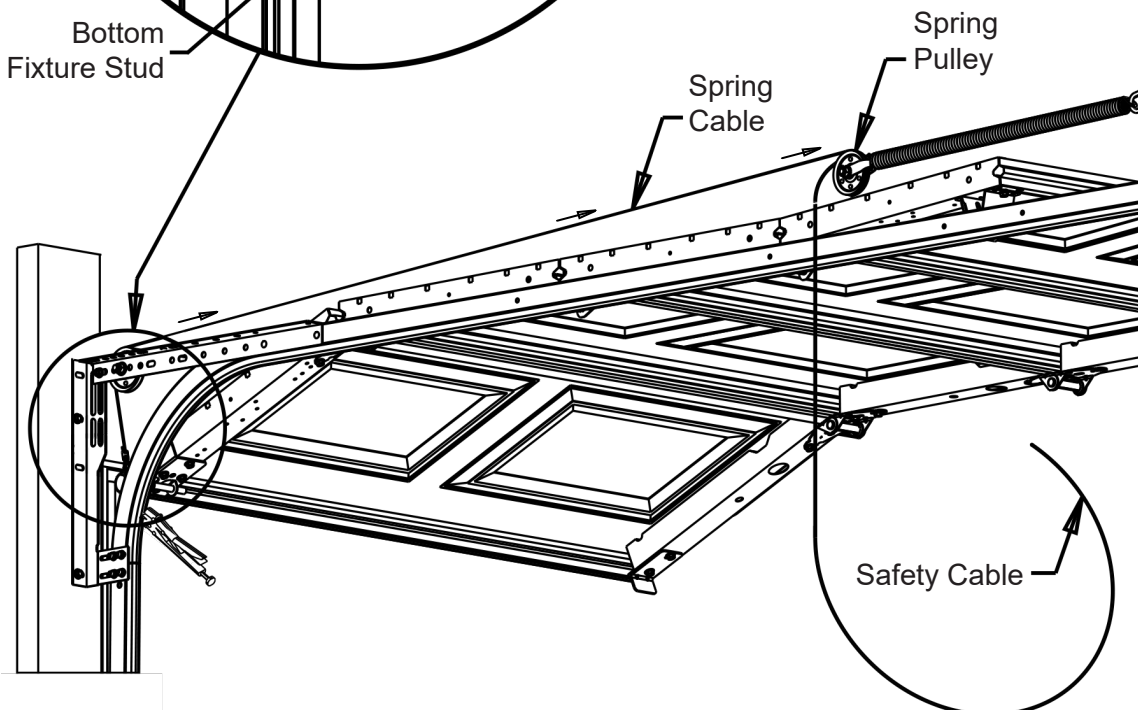
You will need for this page:



- 7** Attach spring cable loop to bottom fixture stud and thread spring cable over pulley

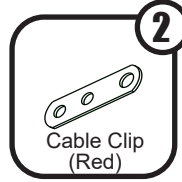


- 8** Thread spring cable around spring pulley.

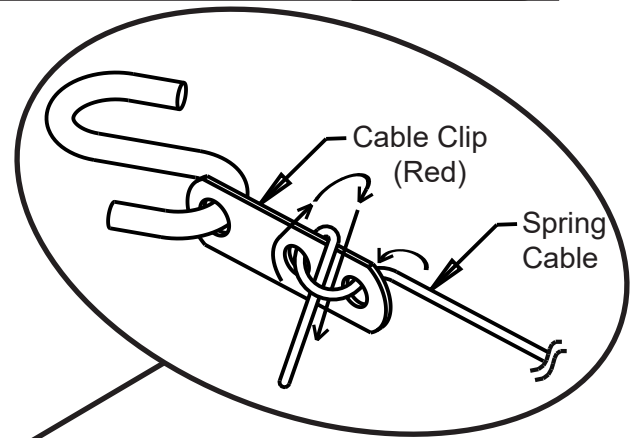


Step 35: Extension Spring Assembly

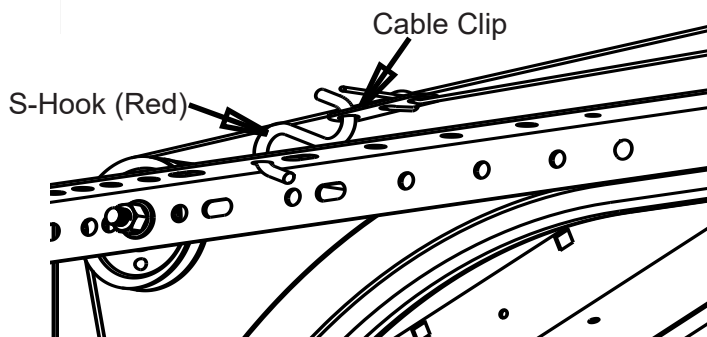
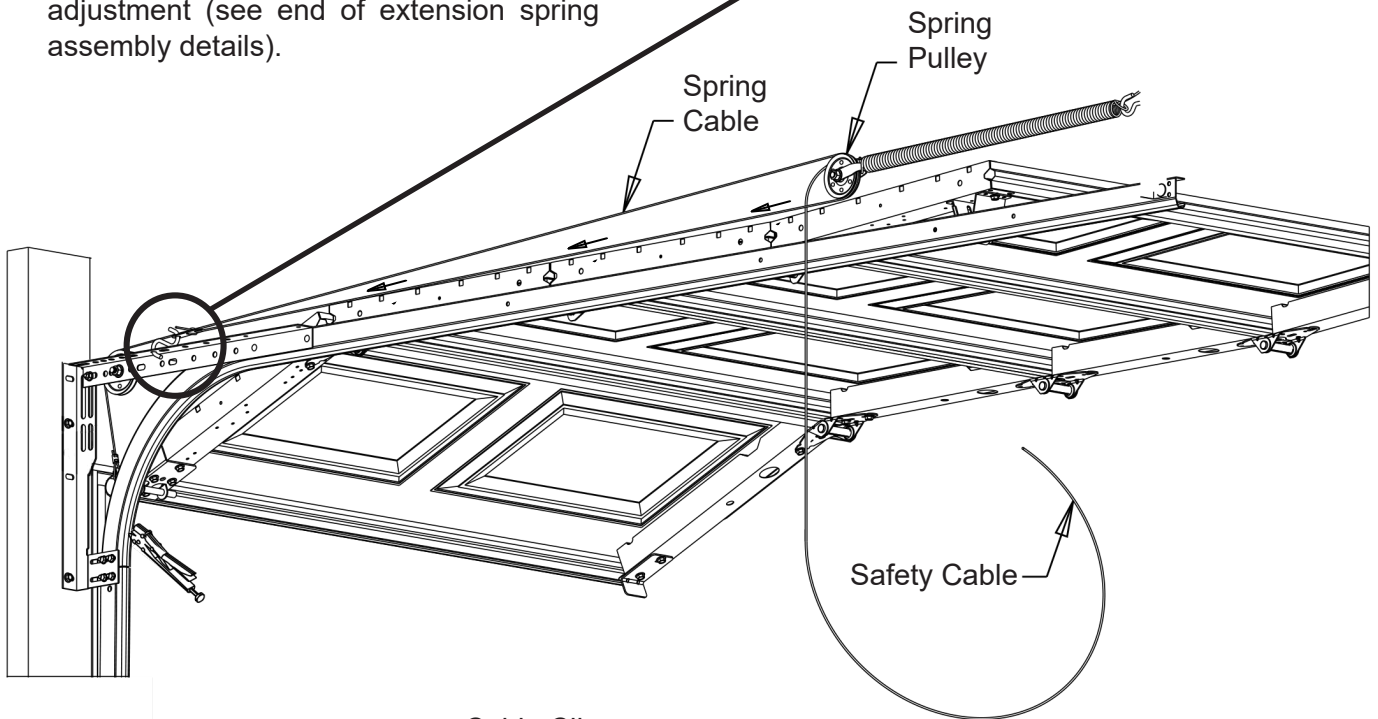
You will need for this page:



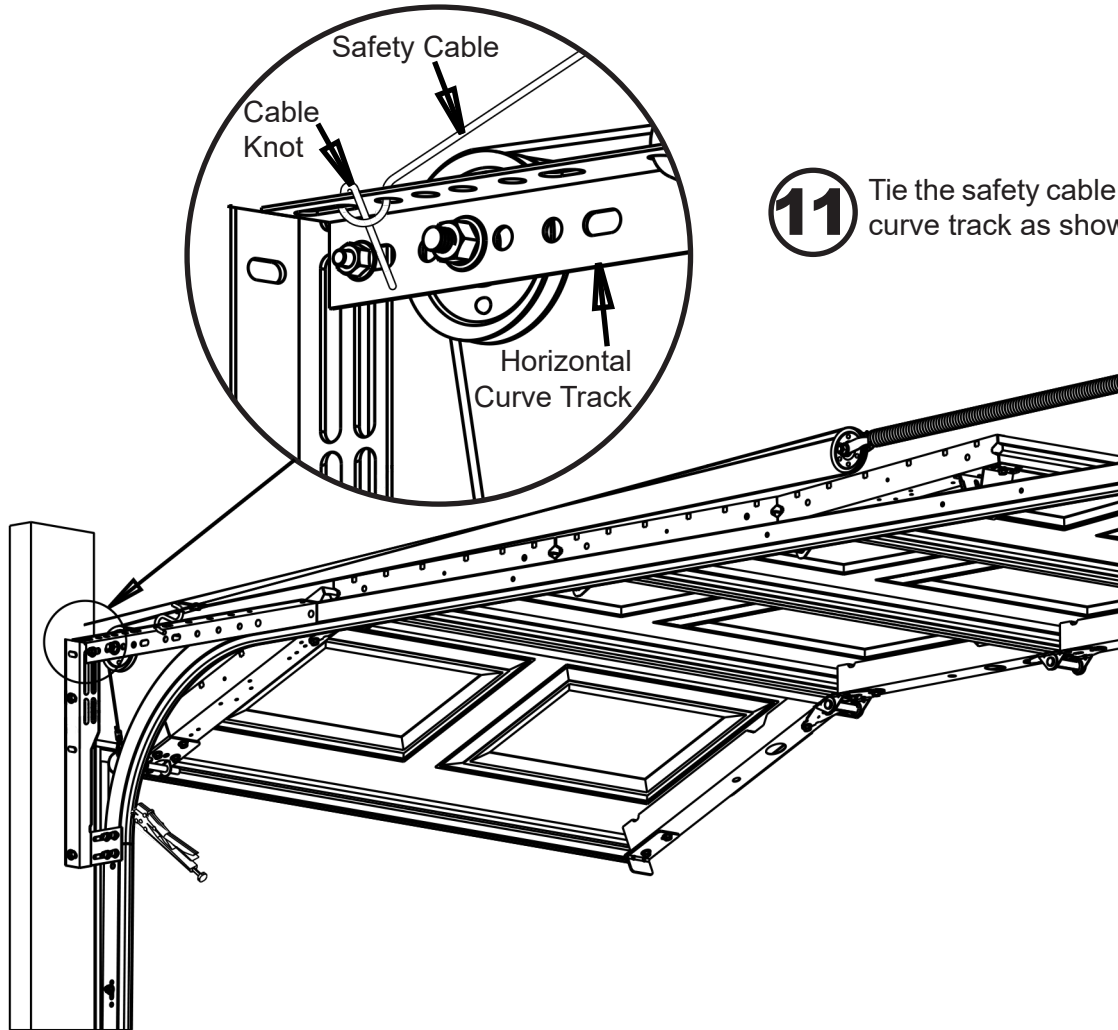
- 9** Tie a cable clip to the spring cable and connect it to an S-hook.



- 10** Stretch spring 2"-3" and clip the S-hook to a hole in the horizontal angle. This is referred to as initial stretch and may need adjustment (see end of extension spring assembly details).



Step 35: Extension Spring Assembly



11 Tie the safety cable securely to the horizontal curve track as shown.

Repeat steps 4 through 11 for the other spring.

Lowering the door and spring adjustment.

Warning! Until all adjustments are completed, always assume you will have to physically support the full weight of the door. Make sure adequate help is available.

Warning! Never place your fingers in or near section joints while the door is moving.

Warning! All spring component parts whether part of the spring assembly, attached to the door, or attached to the wall are now under tension and are extremely dangerous.

Warning! Spring adjustments from this point onward must be performed in accordance with all warnings and directions as previously stated.

Warning! Spring adjustments can only be performed when door is in fully open position and door restraints are applied to tracks.

With one person holding door in the fully open position, carefully remove locking pliers.

Slowly lower door, testing the balance of the springs. If door does not lift off of the floor by itself, or does not roll back to the floor when not supported, it is properly counterbalanced.

If door lifts off of floor by itself, the springs are too strong and the initial stretch must be reduced.

If door rolls back to floor, the springs are too weak and the initial stretch must be increased.

Finalize the track adjustments

Operate door through one full cycle. Check door stops and top fixture for proper seal. If door is not functioning correctly, check for binding against jamb, header or tracks.

Step 36

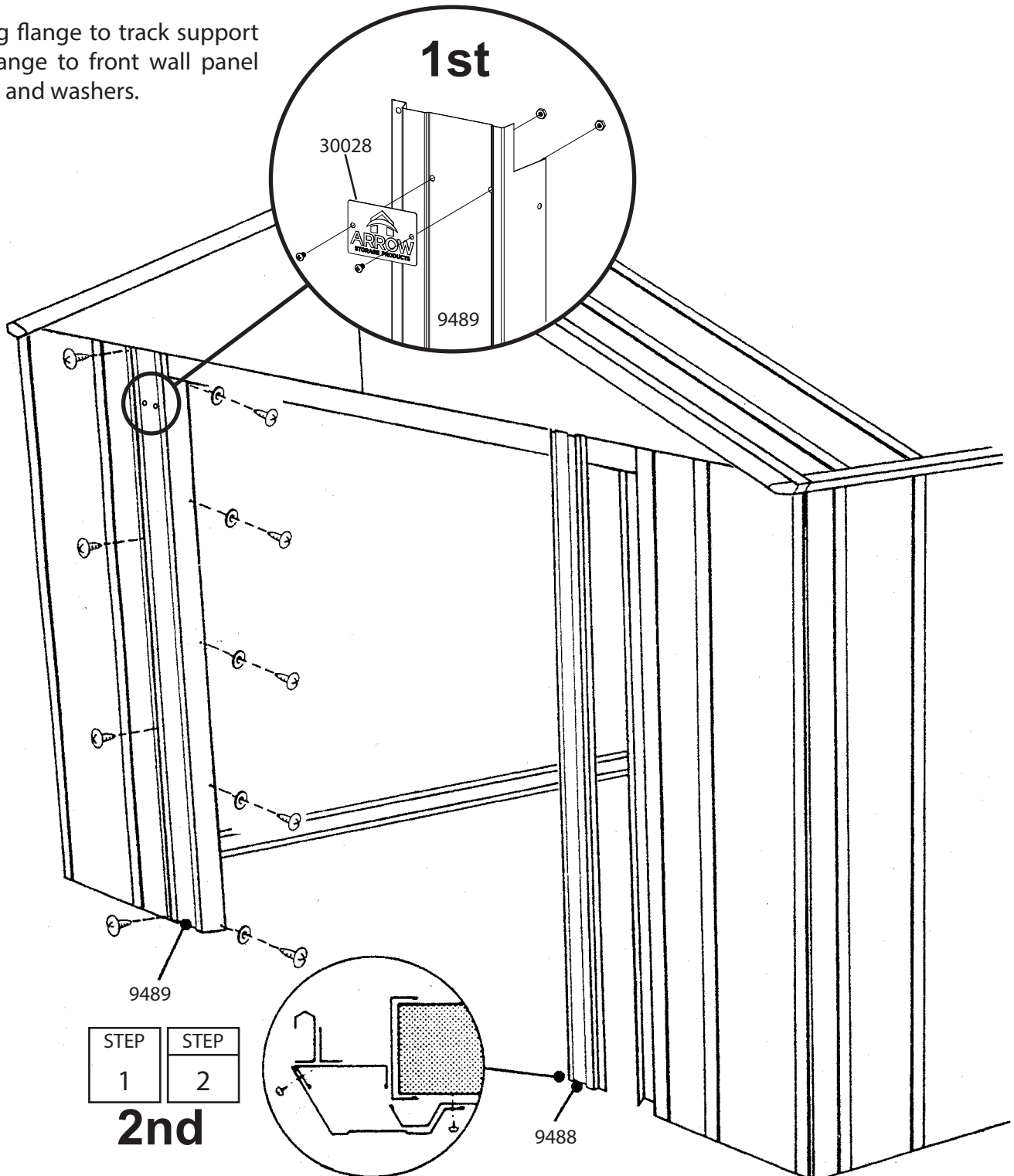
Parts Needed For Right/Left Door Jambs

9488 Right Door Jamb (1)
9489 Left Door Jamb (1)
30028 Nameplate (1)

JN75

1 Position right and left door jambs to right and left track supports with notched end on top, facing inside building.

2 Fasten long flange to track support and short flange to front wall panel using screws and washers.



SOME FACTS ABOUT RUST

Rusting is a natural oxidizing process that occurs when bare metal is exposed to moisture. Problem areas include screw holes, unfinished edges, or where scrapes and nicks occur in the protective coating through normal assembly, handling and use. Identifying these natural rusting problem areas and taking some simple rust protection precautions can help to stop rust from developing, or stop it quickly as soon as it appears.

1. Avoid nicking or scraping the coating surface, inside and out.
2. Use all the washers supplied. In addition to protecting against weather infiltration, the washers protect the metal from being scraped by the screws.
3. Keep roof, base perimeter and door tracks free of debris and leaves which may accumulate and retain moisture. These can do double damage since they give off acid as they decay.
4. Touch up scrapes or nicks and any area of visible rust as soon as possible. Make sure the surface is free of moisture, oils, dirt or grime and then apply an even film of high quality touch-up paint.