

Augusta

designer planters



CONTENTS: 1 planter with removable tray

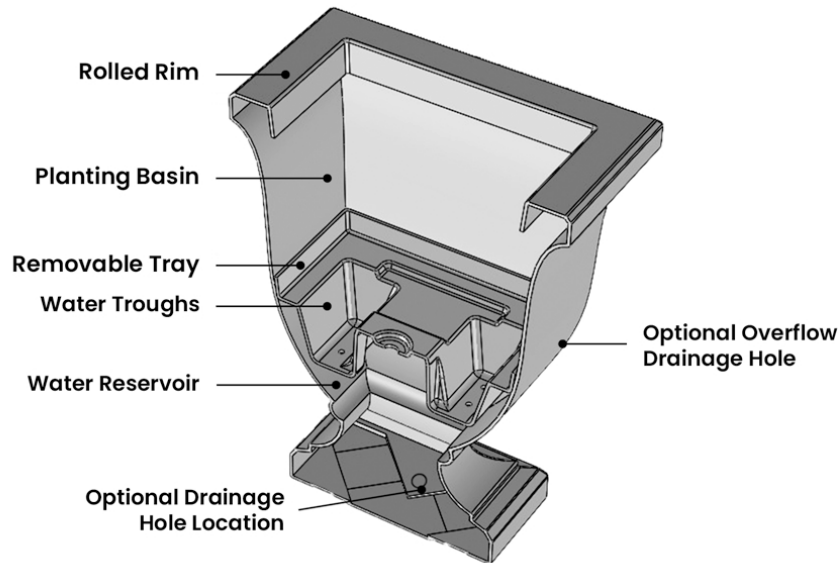
MATERIAL: Polyethylene

IMPORTANT NOTES

Drainage holes are not pre-drilled. They can be drilled in the desired location depending on the intended use of the planter. See reverse side for more details.

GENERAL INFORMATION:

- Avoid using garden soil or topsoil for container planting, it's often too dense and restricts air circulation. A potting mix is strongly recommended and will ensure better plant growth.
- Rinse clean with a garden hose; for a deeper clean, use a power washer.
- The polyethylene construction is designed to withstand cold temperatures, but winter storage is recommended in extremely cold conditions.
- **15-year** warranty residential use, **5-year** warranty commercial use.



Polyresin Planter
 Indoor/Outdoor Use
 UV Protected
 Shock Resistant
 All-Weather Material

WARNING

Children can fall into planters and drown.
 Keep children away from planter with even a small amount of liquid.

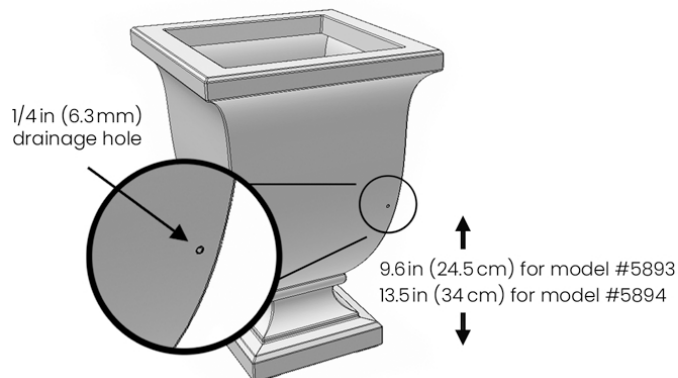
Augusta planting instructions

Drainage Holes:

Depending on the intended use of the planter, drainage holes need to be drilled in different locations.

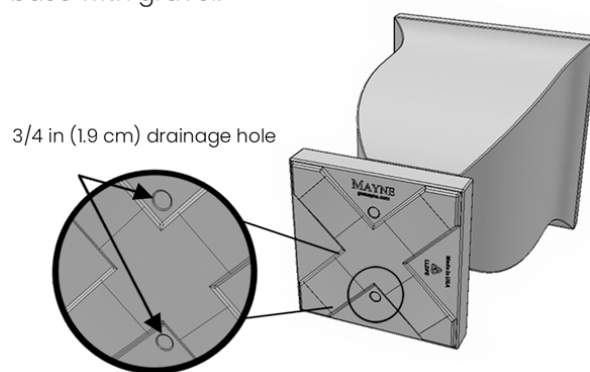
Option #1:

To utilize the water reservoir feature, drill a 1/4 in (6.3 mm) diameter hole where the indentation is shown on the planter below. The overflow helps maintain ideal water levels and avoid oversaturation of the soil.



Option #2:

To use the planter as a regular container planter, drill two holes in the bottom of the planter to allow for drainage. This option is also recommended when inserting potted plants. For added support fill the base with gravel.



False Bottom

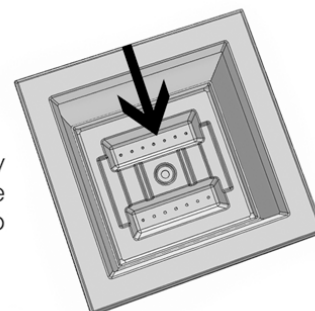
Leave the tray in place to set a potted plant. Flip the tray upside down to gain some extra height.



Add gravel to base for added support

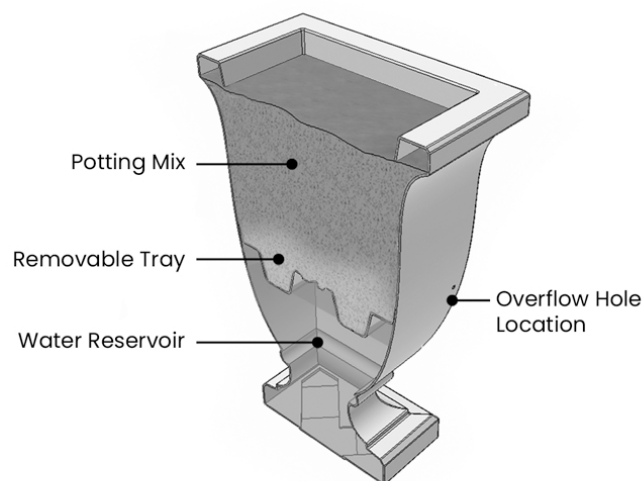
Removable Tray

For removal, press firmly toward one side and use the center finger hole to lift up the tray.



Sub-Irrigation System

The Augusta Planter includes a water trough insert creating a reservoir at the bottom of the planter. Capillary action allows water in the reservoir to soak upward, keeping the soil and plant roots moist. To avoid oversaturation, an overflow hole is located in the side of the planter to allow excess water to drain freely from the reservoir. Regular watering is required for the first few weeks, giving the root system time to develop. Please note that due to the height of the planter, the root system on some plants may not fully reach the water trough, so regular watering may be required for a longer period of time.



Water Reservoir

There is no need to pre-fill the water reservoir, it will naturally fill up with regular watering during the first few weeks.