

Augusta

Model # 5894

Augusta 26in Tall Planter



DESCRIPTION

Contemporary with the traditional look of an urn without the weight. The Augusta is a piece to accent any outdoor patio space. Featuring sleek and clean lines with a contemporary tapered design. The Augusta planter is the perfect piece to complete the look of any entrance way.

- Single wall molded design with removable tray
- Self watering tray insert creates sub-irrigation water system
- Weather resistant, low maintenance material
- 100% high-grade polyethylene planter with UV inhibitors
- Warranty: 15-Yr Residential Use / 5-Yr Commercial Use

PRODUCT DIMENSIONS

Outside Dimensions: 18in L x 18in W x 26in H (45.7cm x 45.7cm x 66cm)

Inside Dimensions: 13.3in L x 13.3in W x 12in D (33.7cm x 33.7cm x 30.5cm)

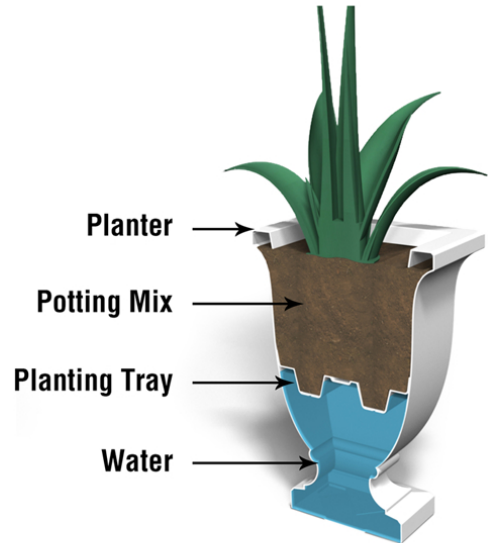
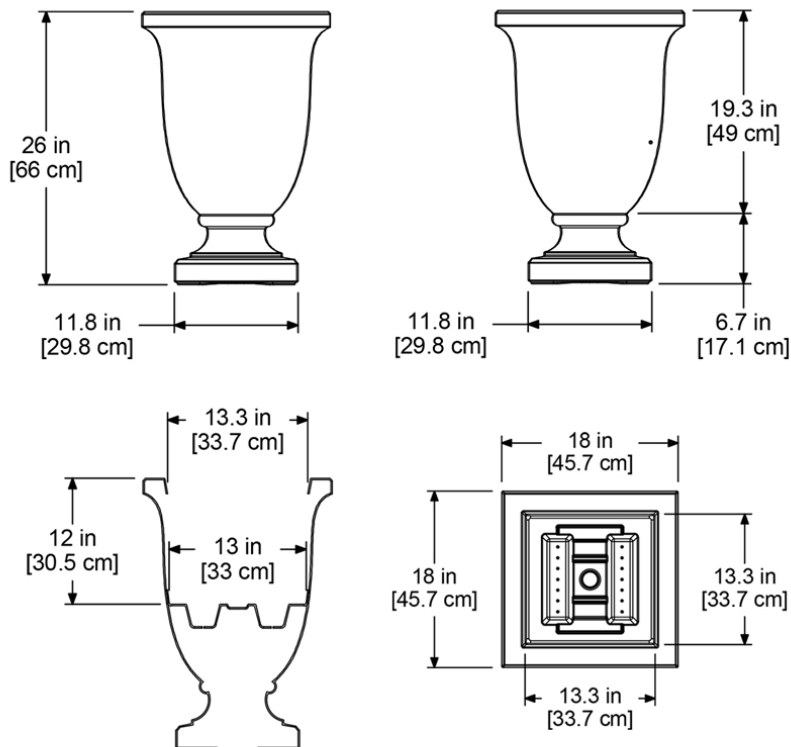
Soil Capacity: 9.4 Gallons (35.5 Liters)

Water Reservoir Capacity: 5.8 Gallons (22 Liters)

Wall Thickness: 0.12in (3mm)

Part Weight: 10lbs (4.5kg)

Material: Polyethylene



MAYNE[®]
Outdoor Products of Distinction

7024 Kilbourne Rd - Unit A London, ON N6P 1K6

Tel: 866-363-8834 | www.gomayne.com

customerservice@gomayne.com