



Illustrated Parts Breakdown

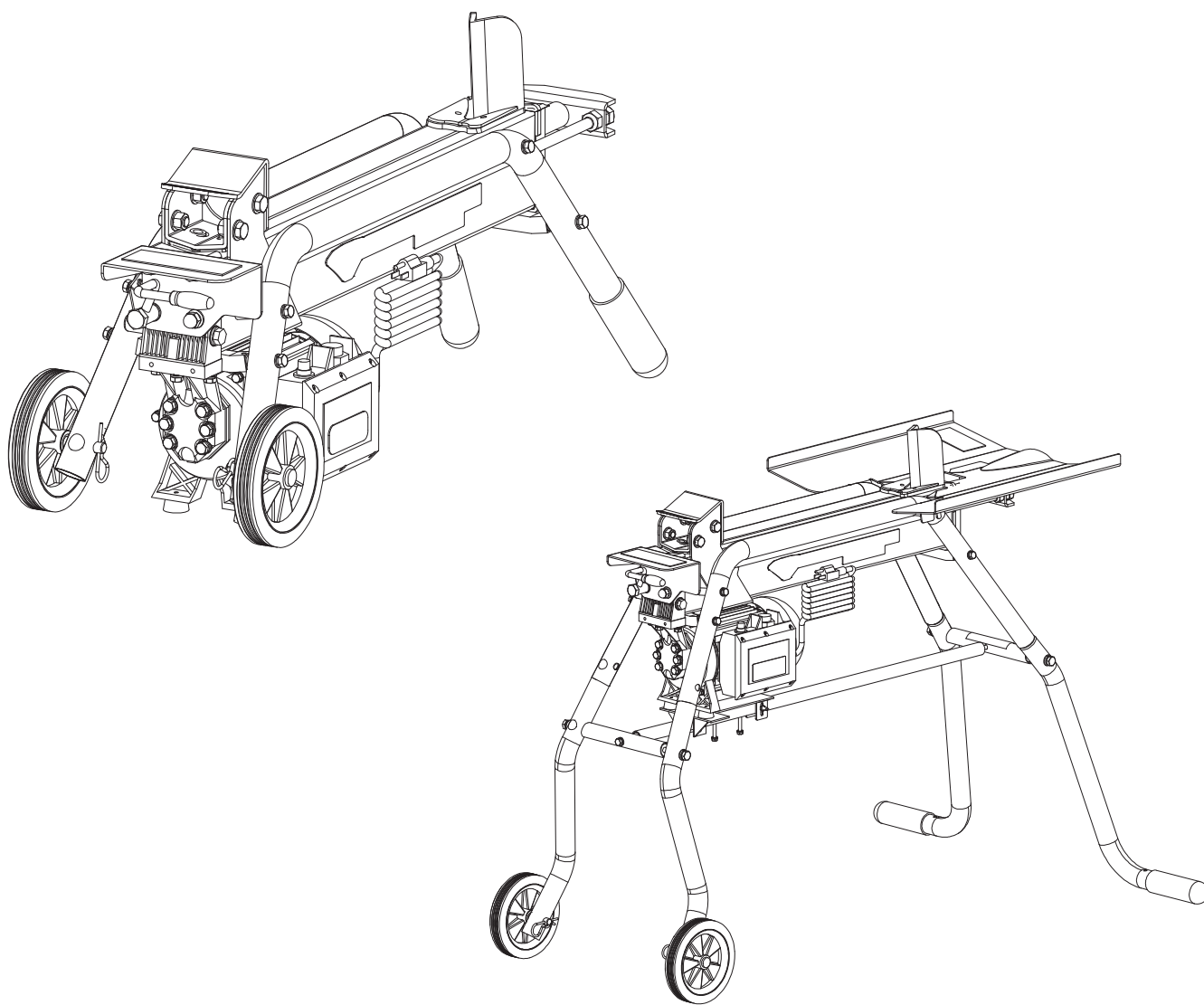
5-Ton
Electric Log Splitter

Model #'s: 32228, 32229

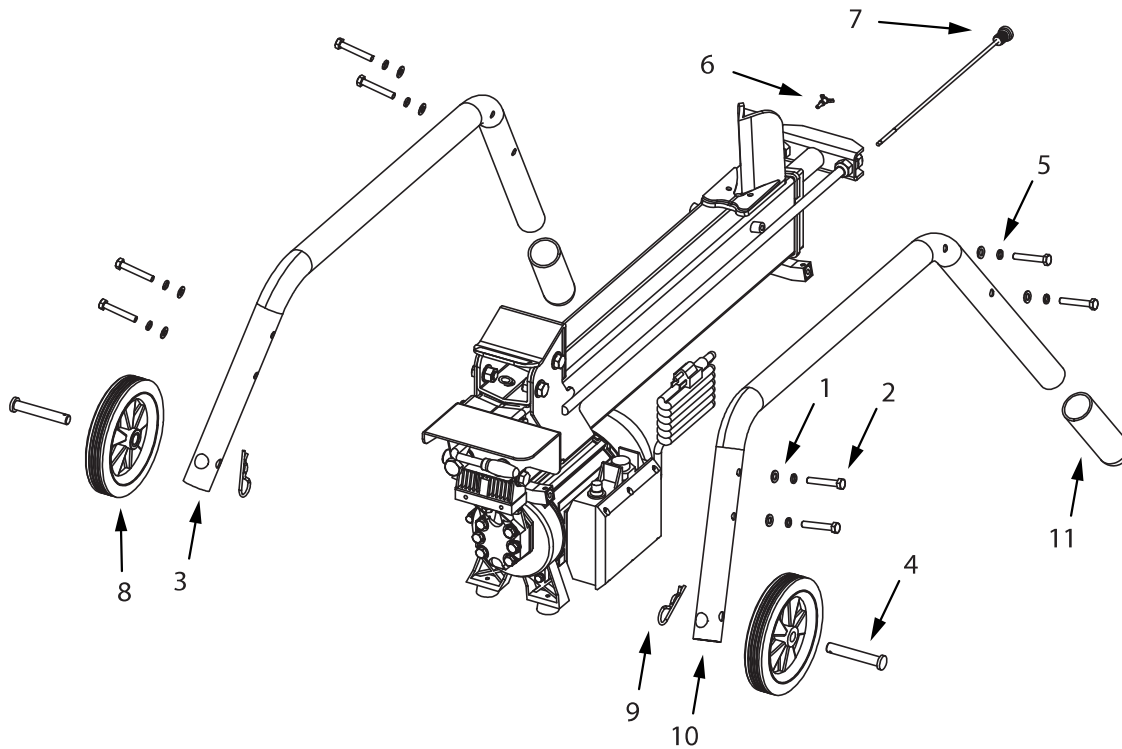
ENGLISH

FRENCH

S/N

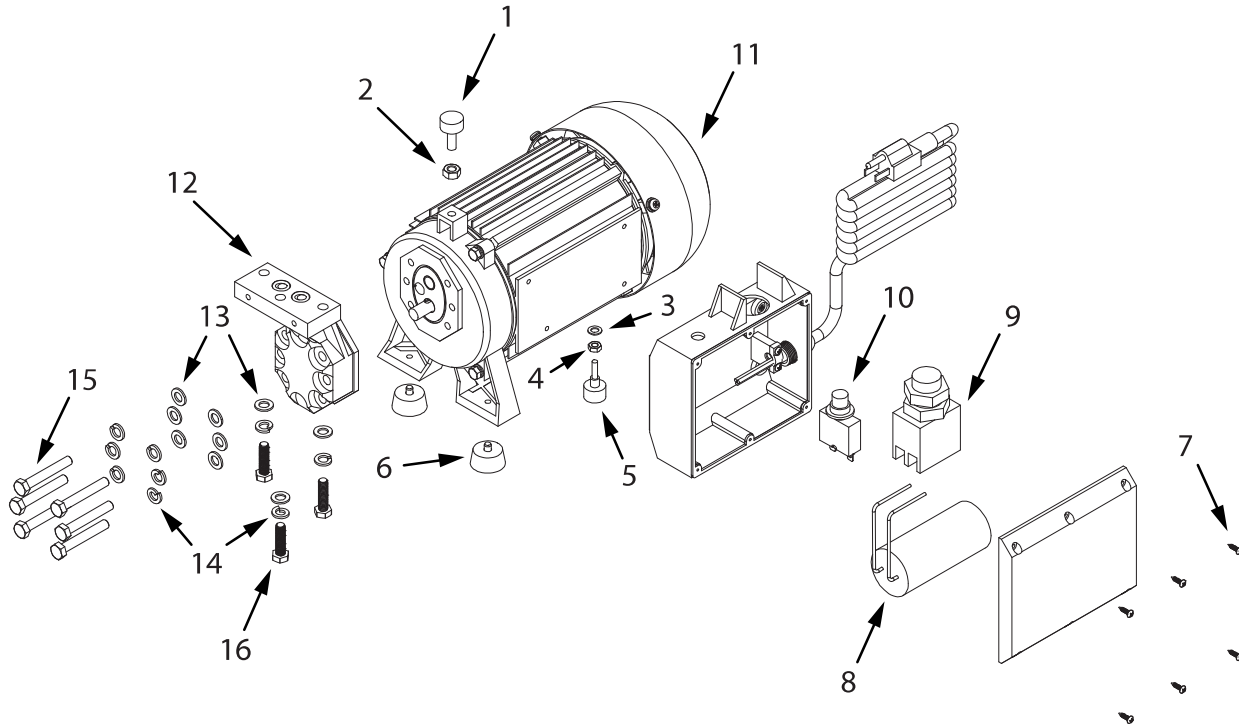


5-TON ELECTRIC LOG SPLITTER BREAKDOWN



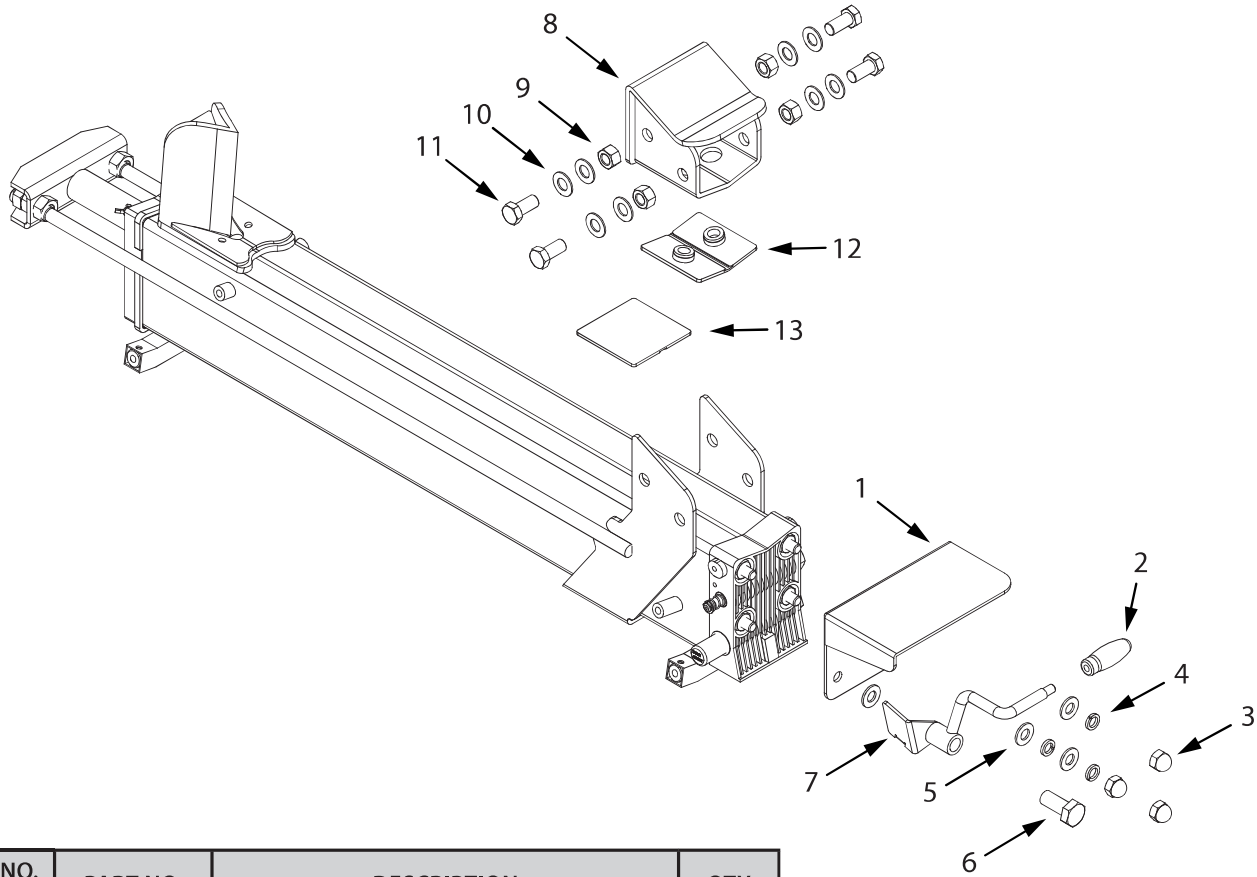
ITEM NO. REPÈRE N.º DEL ELEMENTO	PART NO. N.º RÉF. N.º DE PIEZA	DESCRIPTION DESCRIPTION DESCRIPCIÓN	QTY QTÉ CANT.
1	20143	WASHER M8X16X1.5 MM GR8.8 ZN	8
2	21718	BOLT M8X1.25X50 MM HHCS GR8.8 ZN F-T	8
3	34200	W500 LEFT CRADLE WITH DECAL	1
4	32533	WHEEL AXLE 13MM OD	2
5	32569	WASHER M8X1.25X2.1 MM SPRLK GR8.8 ZN	8
6	33670	KIT BREATHER SCREW W500	1
7	33672	KIT DIPSTICK W500	1
8	33697	WHEEL 13.8X165X34 MM GREY HUB BLACK TREAD	2
9	46134	HAIRPIN 0.148 DIA X 0.75 SHAFT OD	2
10	34201	W500 RIGHT CRADLE WITH DECAL	1
11	32530	LEG COVER W500	2

5-TON ELECTRIC LOG SPLITTER BREAKDOWN



ITEM NO. REPÈRE N.º DEL ELEMENTO	PART NO. N.º RÉF. N.º DE PIEZA	DESCRIPTION DESCRIPTION DESCRIPCIÓN	QTY QTÉ CANT.
1	W120003	VIBRATION DAMPENER W1200	1
2	3252	NUT M8X1.25 MM H GR8.8 ZN	1
3	W1200117	WASHER M6X12X1.00 MM GR8.8 ZN	1
4	31948	NUT M6X1X4.2 MM H GR8.8 ZN	1
5	W1200207	FORWARD FOOT W1200 MOTOR	1
6	11691	KIT RUBBER FEET	2
7	W1200121	BOLT M3.5X1.5X13 MM PPHMS GR8.8 ZNT/C	6
8	W1200241	CAPACITOR MOTOR 70 MICRO-F 250 VAC	1
9	W1200244	SWITCH DPST PUSH BUTTON 18A 125VAC	1
10	W1200243	BREAKER CIRCUIT 15A	1
11	W120001	MOTOR ASSEMBLY W1200	1
12	W1200247	KIT PUMP W1200	1
13	33785	WASHER M8X16X1.0 MM GR8.8 BLK OX	9
14	W1200114	WASHER M8X16X1.9 MM SPRLK BLK OX	9
15	W1200130	BOLT M8X1.25X55 MM HH GR10.9 BLK OX F-T	6
16	W1200118	BOLT M8X1.25X30 MM HH GR8.8 BLK OX F-T	3

5-TON ELECTRIC LOG SPLITTER BREAKDOWN



ITEM NO. REPÈRE N.º DEL ELEMENTO	PART NO. N.º RÉF. N.º DE PIEZA	DESCRIPTION DESCRIPTION DESCRIPCIÓN	QTY QTÉ CANT.
1	32534	SAFETY GUARD	1
2	32535	CONTROL LEVER KNOB	1
3	32549	NUT M10X1.5X18 MM HCAP ZN	3
4	32920	WASHER M10X15.70X2.60 MM SPRLK GR8.8 ZN	3
5	331036	WASHER M10X22X2 MM GR8.8 ZN	4
6	33667	NUT M10X1.5X27 MM HBARREL ZN	1
7	33668	WELDMENT CONTROL LEVER W500 BLACK	1
8	33150	WELDMENT PUSH BLOCK W500	1
9	32568	NUT M12X1.75X10.8 MM H GR8.8 ZN	4
10	32567	WASHER M12X24X1.5 MM GR8.8 ZN	8
11	32566	BOLT M12X1.75X32.5 MM GR8.8 ZN F-T	4
12	W120061B	PUSH BLOCK GLIDE BENT W1200	1
13	W120061A	PUSH BLOCK GLIDE FLAT W1200	1