

NEVER LEAVE THE COOKER UNATTENDED WHILE BURNING!

OPERATING INSTRUCTIONS AND OWNER'S MANUAL

PORTABLE BUDDY FLEX COOKER



Model # MH8CFLEX

PORTABLE PROPANE COOKER FOR
RECREATIONAL USE

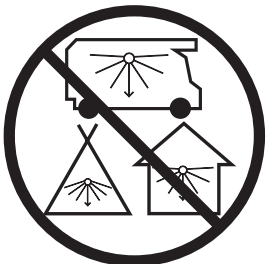
FOR US AND CANADA SALE



LANGUAGES INCLUDED:

- ENGLISH
- SPANISH
- FRENCH

 **DANGER**



CARBON MONOXIDE HAZARD

This appliance can produce carbon monoxide which has no odor.

Using it in an enclosed space can kill you.

Never use this appliance in an enclosed space such as a camper, tent, car or home.

FOR YOUR SAFETY

If you smell gas:

- Do not attempt to light appliance.
- Extinguish any open flames.
- Disconnect from fuel supply.

FOR YOUR SAFETY

Do not store or use gasoline or other flammable vapors and liquids in the vicinity of this or any other appliance.

READ INSTRUCTIONS CAREFULLY: YOUR SAFETY IS IMPORTANT TO YOU AND TO OTHERS. Read and follow all instructions. Place instructions in a safe place for future reference. Do not allow anyone who has not read these instructions to assemble, light, adjust or operate the cooker.

⚠️WARNING:

Early signs of carbon monoxide poisoning resemble the flu, with headache, dizziness and/or nausea. If you have these signs, cooker may not be working properly. Get fresh air at once! Have cooker serviced.

⚠️WARNING:

Every time unit is connected, connection must be checked for leaks in one or more ways: Apply soapy water to connection, look for bubbles, listen for hiss of escaping gas, feel for extreme cold, smell for rotten egg odor. Do not use if leaking!

⚠️WARNING:

This product can expose you to chemicals including lead and lead compounds, which are known to the State of California to cause cancer and birth defects or other reproductive harm. For more information visit www.P65Warnings.ca.gov

⚠️WARNING:

FIRE OR EXPLOSION HAZARD

If you smell gas:

1. Do not attempt to light appliance.
2. Extinguish any open flame.
3. Disconnect fuel supply.
4. Leave the area immediately.
5. Allow gas to dissipate 5 minutes before relighting the appliance.

Do not store or use gasoline or other flammable vapors and liquids in the vicinity of this or any other appliance. Failure to follow these instructions could result in fire or explosion, which could cause property damage, personal injury, or death.

⚠️WARNING:

Any changes to this cooker or its controls can be dangerous.

⚠️WARNING:

Can only be used with Buddy FLEX heater.

⚠️WARNING:

Always disconnect cooker when not in use.

CONTENTS

- 2 Warnings
- 3 General Safety Instructions
- 3 General Information
- 4 Operation
 - Lighting
 - Shutdown
 - Maintenance
- 6 Troubleshooting
- 7 Parts List
- 8 Ordering Parts/Warranty

⚠️WARNING:

Fuels used in liquefied propane gas appliances, and the products of combustion of such fuel, can expose you to chemicals including benzene, which is known to the state of California to cause cancer and cause birth defects or other reproductive harm, for more information go to www.P65Warnings.ca.gov

⚠️WARNING:

Do not attempt to connect directly to any fuel supply.

GENERAL SAFETY INSTRUCTIONS

- Due to high temperatures, the appliance should be located out of traffic and away from combustible materials.
- Children and adults should be alerted to the hazard of high surface temperatures and should stay away to avoid burns or clothing ignition.
- Do not leave this cooker unattended while it is in operation. Keep children and pets away from the cooker at all time.
- Do not place clothing or other flammable material on or near the appliance.
- If cooking grate is removed for servicing the appliance, it must be replaced prior to operating the cooker.
- The appliance should be inspected before each use. Clean cooker frequently to avoid grease accumulation and possible grease fires. The control compartments, burner and circulating air passageways of the appliance must be kept clean, see MAINTENANCE.
- DO NOT use this cooker if any part has been under water. Immediately call a qualified service technician to inspect the cooker and to replace any part of the control system and any gas control, which has been under water.
- When used without adequate combustion and ventilation air, this cooker may give off excessive CARBON MONOXIDE, an odorless, poisonous gas.

WARNING: Early signs of carbon monoxide poisoning resemble the flu, with headache, dizziness, and/or nausea. If you have these signs, the cooker may not be working properly. Get fresh air at once! Have cooker serviced.

Some people - pregnant women, persons with heart or lung disease, anemia, those under the influence of alcohol, those at high altitudes - are more affected by carbon monoxide than others.

- When cooker is placed on the ground, make sure the ground is level and keep any objects at least 8 inches from the front of the cooker.

ODOR FADING - NO ODOR DETECTED

- Some people cannot smell well. Some people cannot smell the odor of the man-made chemical added to propane (LP) gas. You must determine if you can smell the odorant in these fuel gases.
- Learn to recognize the odor of propane (LP) gas. Local propane (LP) gas dealers will be more than happy to give you a scratch and sniff pamphlet. Use it to become familiar with the fuel gas odor.
- Smoking can decrease your ability to smell. Being around an odor for a period of time can affect your sensitivity to that particular odor. Odors present in animal confinement buildings can mask fuel gas odor.
- **The odorant in propane (LP) gas is colorless and the intensity of its odor can fade under some circumstances.**
- If there is an underground leak, the movement of gas through the soil can filter the odorant.
- Propane (LP) gas odor may differ in intensity at different levels. Since propane (LP) gas is heavier than air, there may be more odor at lower levels.
- **Always be sensitive to the slightest gas odor.** If you continue to detect any gas odor, no matter how small, treat it as a serious leak. Immediately go into action as discussed previously.

Specifications	
Model No.	MH8CFLEX
Input (Btu/Hr)	5,500-8000
Gas Type	Propane (LP)
Clearance To Combustibles	
Top	18" (46 cm)
Front	8" (21 cm)
Sides	8"(21 cm)
Rear	8"(21 cm)

ATTENTION - CRITICAL POINTS TO REMEMBER!

- Propane (LP) gas has a distinctive odor. Learn to recognize these odors. (Reference Fuel Gas Odor and Odor Fading sections above.
- Even If you are not properly trained in the service and repair of the cooker, ALWAYS be consciously aware of the odors of propane (LP) gas.
- If you have not been properly trained in repair and service of propane (LP) gas then do not attempt to light cooker, perform service or repairs, or make any adjustments to the cooker on the propane (LP) gas fuel system.
- A periodic sniff test around the cooker or at the heater's joints; i.e. hose, connections, etc., is a good safety practice under any conditions. If you smell even a small amount of gas, CONTACT YOUR FUEL GAS SUPPLIER IMMEDIATELY. DO NOT WAIT!

GENERAL INFORMATION

- The LP-gas cylinder(s) used with a stove shall be constructed and marked in accordance with the specifications for LP-gas cylinders of the U.S. Department of Transportation or Transport Canada, the Standard for Cylinders, Spheres and Tubes for the Transportation of Dangerous Goods, CAN/CSA B339.
- Use only VAPOR WITHDRAWAL propane supply. If there is any question about vapor withdrawal, ask your propane dealer.
- FOR OUTDOOR USE ONLY!

Lighting Instructions

ALWAYS ATTACH OR DETACH CYLINDER TO HEATER OUTDOORS AWAY FROM FLAMES, OTHER IGNITION SOURCES, AND ONLY WHEN COOL TO TOUCH. NEVER SMOKE WHEN ATTACHING OR REMOVING PROPANE CYLINDER OR MAKING REMOTE CONNECTIONS!

IMPORTANT: The cooker must not be exposed to flammable vapors or liquids during lighting.

1. Follow instructions in Buddy Flex Heater manual to attach cooker to heater (as shown in Figure 1) and to pre-light the heater.

IMPORTANT: Check quick connection for leaks with soapy water. DO NOT USE ANY EXPOSED FLAME TO CHECK FOR LEAKS.

2. Push control knob slightly and rotate to "LOW/START" position. See Figure 2.
3. Push down and hold control knob in while pressing ignition button.
4. Hold control knob down for 5-30 seconds to activate thermocouple, until burner sustains flame.
5. Once flame is sustained, rotate control knob to adjust flame to desired setting.

Shutdown Instructions

1. To shut off cooker, shut off the heater gas supply first, then rotate the cooker control knob to the "OFF" position.
 - Do not operate, store or remove cylinder near flammable items or ignition sources.
 - LP-GAS CYLINDERS MUST BE DISCONNECTED FROM HEATER WHEN NOT IN USE!

Pulse Ignition

The Pulse Ignition Button is located to the left of the control knob. Refer to Figure 2.

Open the battery cover located on the bottom of the cooker to install the "AAA" battery (included).

Transporting Cooker

Your Buddy Flex Heater and Buddy Flex Cooker are specially designed to easily move around as a single unit.

To attach the cooker to the heater:

1. Place the heater on top of the cooker as shown in Figure 3.
2. Lift up engagement flap to engage each rail and then fold it down to secure the cooker to the heater. See Figure 4.



Figure 1



Figure 2



Figure 4

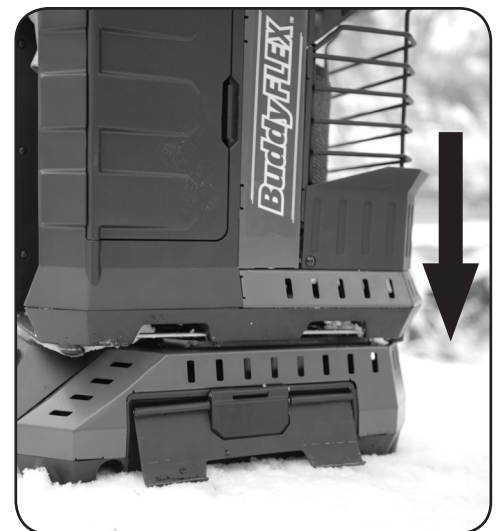


Figure 3

Maintenance

- Always keep the cooker area clear and free from combustible materials, gasoline and other flammable vapors and liquids.
- Keep the vent areas (slots in the bottom and top of the cooker) clear at all times.

IMPORTANT: The cooker and its surroundings should be kept clean and free of dust.

- The burner should be bright orange (with a slight blue color around the border, a red-orange haze that is visible on the burner material is acceptable) and without a noticeable flame.
- If the burner has a noticeable flame, cleaning may be required. Use the following procedure to inspect the casing assembly and main burner assembly.

Cleaning Instructions (Refer to Exploded Parts on Page 6):

IMPORTANT: Allow cooker to thoroughly cool before performing any maintenance.

1. Inspect the interior of casing for accumulation of dust, lint or spider webs. If necessary, clean the interior of the casing assembly with a vacuum cleaner or compressed air (max 30 psi). Do not damage any components within the casing assembly when you are cleaning.

2. The exterior of the cooker can be cleaned with a damp cloth. Avoid the direct use of any aerosol or spray-on cleaners. Do not use abrasive materials or cleaners on the decals or control knob.

OFFSEASON

- If the cooker is to left "OFF" for a considerable period of time, the propane (LP) gas supply to the heater and cooker should be turned off as close to the gas source as possible. In the case of portable use, the gas should be turned off at the propane (LP) gas supply cylinder.
- If the cooker is put into storage, make sure to disconnect the propane (LP) gas cylinder from heater.
- When the LP-gas cylinder is not disconnected from the heater, the heater, cooker and cylinder must be located outdoors, in a well-ventilated space, out of the reach of children, and must not be stored in a building, garage, or any other enclosed area.
- Storage of the cooker indoors is permissible only if the cooker is disconnected and removed from the heater. Cylinders must be stored outdoors, in a well-ventilated space, out of the reach of children, and must not be stored in a building, garage, or any other enclosed area.

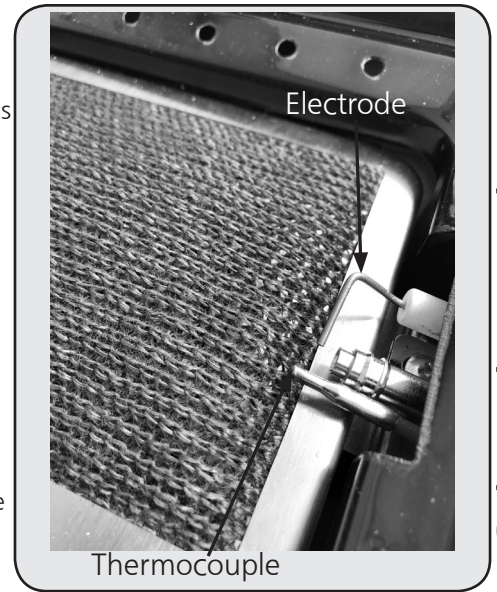


Figure 5

WARNING: Always inspect propane cylinder and cooker propane connections for damage, dirt, and debris before attaching propane cylinder. Do not use if head of cylinder is damaged, punctured or deteriorated.

CAUTION: After turning cooker off, metal cooking grate will remain hot. Allow to thoroughly cool before storing.

CAUTION: Clean stove frequently to avoid grease accumulation and possible grease fires.

TROUBLESHOOTING

SYMPTOM

- **Spark electrode does not produce spark.**

CAUSE

REMEDY

- | | |
|---|--|
| 1. Spark electrode broken. | 1. Replace electrode assembly. See Service Dealer. |
| 2. Igniter wire may not be attached to spark electrode. | 2. Attach igniter wire. See Service Dealer. |
| 3. Igniter wire damaged. | 3. Replace igniter wire. See Service Dealer. |
| 4. Ignition module is defective. | 4. Replace ignition module. See Service Dealer. |

SYMPTOM

- **Spark electrode produces spark but cooker does not light.**

CAUSE

REMEDY

- | | |
|---|---|
| 1. No gas to cooker. | 1. Connect cooker to heater and follow instructions in Buddy FLEX Heater manual to provide gas to cooker. |
| 2. "LOW/START" Position not properly aligned. | 2. Adjust knob until it can be depressed for burner ignition. |

SYMPTOM

- **Cooker keeps shutting "OFF" during normal operation.**

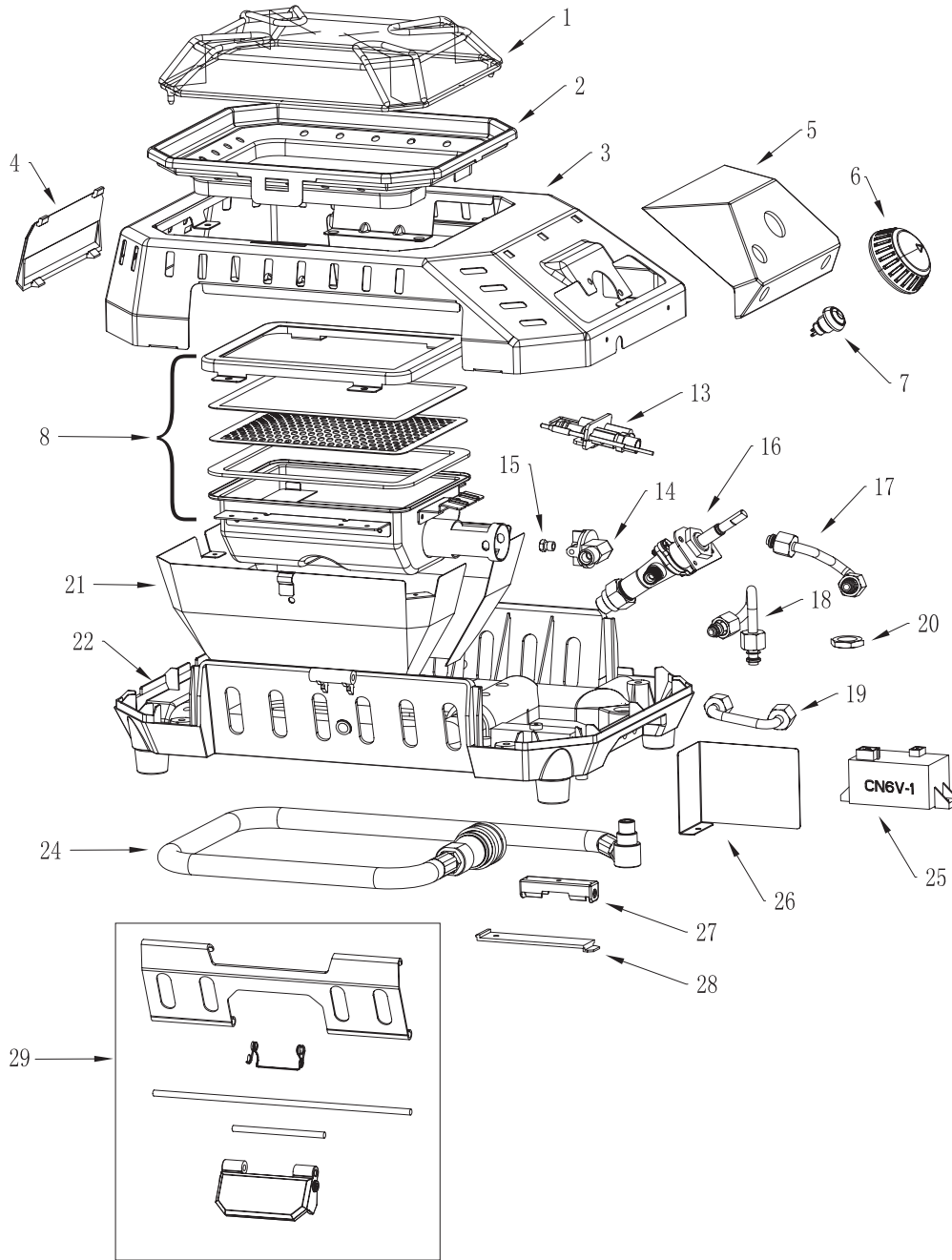
CAUSE

REMEDY

- | | |
|---|--|
| 1. Pilot on heater has been extinguished. | 1. Follow instructions to relight the heater and cooker. |
|---|--|

- For additional assistance or information, please call Technical services.

Mr. Heater • Portable Buddy Flex Cooker • Model # MH8CFLEX



Item No.	Part No.	Description
1	78580	Cooking Grate
2	78581	Reflector
3	78582	Metal Top
4	78583	Rear Plastic Guard
5	78584	Control Cover
6	78563	Knob
7	N/A	Ignition Button
8	N/A	Burner
13	78586	Ignition Source
14	N/A	Orifice Holder
15	N/A	Orifice
16	N/A	Valve

Item No.	Part No.	Description
17	N/A	Ignition Tube Assembly
18	N/A	Inlet Tube Assembly
19	N/A	Burner Tube Assembly
20	N/A	Inlet Fitting Nut
21	N/A	Heat Shield
22	78587	Plastic Base
24	78588	Inlet Hose Assembly
25	N/A	Ignition Module
26	N/A	Ignition Module Heat Shield
27	N/A	Battery Box
28	78589	Battery Cover
29	78590	Buckle Assembly

NEVER LEAVE THE COOKER UNATTENDED WHILE BURNING!

WARRANTY AND PARTS ORDERING

PORTABLE BUDDY FLEX COOKER



Model # MH8CFLEX

READ INSTRUCTIONS CAREFULLY: Read and follow all instructions. Place instructions in a safe place for future reference. Do not allow anyone who has not read these instructions to assemble, light, adjust or operate the cooker.

⚠️ WARNING:

USE ONLY MANUFACTURER'S REPLACEMENT PARTS. USE OF ANY OTHER PARTS COULD CAUSE INJURY OR DEATH. REPLACEMENT PARTS ARE ONLY AVAILABLE DIRECT FROM THE FACTORY AND MUST BE INSTALLED BY A QUALIFIED SERVICE AGENCY.

⚠️ WARNING:

THIS PRODUCT IS A COOKER. IT IS CERTIFIED TO ANSI INTERNATIONAL REQUIREMENT SECTION Z21.72-2019 • CSA 11.2-2019, "PORTABLE TYPE GAS CAMP STOVES". NEVER USE HAND-MADE OR THIRD PARTY ACCESSORIES OR ATTACHMENTS WITH THIS COOKER; THIS IS EXTREMELY DANGEROUS AND MAY RESULT IN PERSONAL INJURY OR DEATH TO YOU OR OTHERS.

PARTS ORDERING INFORMATION

PURCHASING: Accessories may be purchased at any Mr. Heater local dealer or direct from the factory

FOR INFORMATION REGARDING SERVICE

Please call Toll-Free 800-251-0001

Or visit www.mrheater.com

Our office hours are 8:00 AM – 5:00 PM, EST, Monday through Friday.

Please include the model number, date of purchase, and description of problem in all communication.

LIMITED WARRANTY

Mr. Heater, Inc. warrants its cookers and accessories to be free from defects in material and workmanship for a period of 1 year from date of purchase. Mr. Heater, Inc. will repair or replace this product free of charge if it has been proven to be defective within the 1-year period, and is returned at customer expense with proof of purchase to Mr. Heater, Inc. within the warranty period. **DISCLAIMER:** This warranty does not cover any product that: a) has been subject to misuse or neglect; b) has been used in a manner inconsistent with the warnings and instructions contained in the owner's manual; or c) has been used with hand-made or third party accessories or attachments. This warranty gives you specific legal rights, and you may also have other rights which vary from state to state.

Mr. Heater, Inc. reserves the right to make changes at any time, without notice or obligation, in colors, specifications, accessories, materials and models.

PRODUCT REGISTRATION: Thank you for your purchase.
Please log in to <http://www.egiregistration.com> to register your product.



ENERCO INC., 4560 W. 160TH ST., CLEVELAND, OHIO 44135 • 800-251-0001
Mr. Heater is a registered trademark of Enerco Group, Inc.
© 2020, Enerco/Mr. Heater. All rights reserved

¡NUNCA DEJE LA COCINA DESATENDIDA MIENTRAS ESTÉ ENCENDIDA!

INSTRUCCIONES DE USO Y MANUAL DEL USUARIO

COCINA PORTÁTIL BUDDY FLEX



Modelo # MH8CFLEX

COCINA PORTÁTIL A PROPANO PARA USO
RECREATIVO

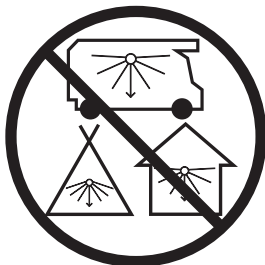
PARA VENTA EN LOS EE.UU. Y CANADÁ



IDIOMAS INCLUIDOS:

- INGLÉS
- ESPAÑOL
- FRANCÉS

 **PELIGRO**



PELIGRO DE MONÓXIDO DE CARBONO

Este artefacto puede producir monóxido de carbono, el cual no tiene olor.

El utilizarlo en un lugar cerrado podría causar la muerte.

Nunca use este artefacto en un lugar cerrado como una casa rodante, carpa, coche o casa.

POR SU SEGURIDAD

Si siente olor a gas:

- No intente encender el artefacto.
- Apague todas las llamas.
- Desconecte el suministro de combustible.

POR SU SEGURIDAD

No almacene ni utilice gasolina ni ningún otro vapor ni líquido inflamable cerca de este ni de ningún otro artefacto.

LEA CUIDADOSAMENTE LAS INSTRUCCIONES: SU SEGURIDAD ES IMPORTANTE PARA USTED Y PARA LOS DEMÁS. Lea y siga todas las instrucciones. Conserve estas instrucciones en un lugar seguro para futura referencia. No permita que nadie que no haya leído estas instrucciones arme, encienda, ajuste o use la cocina.

⚠️ ADVERTENCIA:

Los signos iniciales del envenenamiento con monóxido de carbono pueden parecer una gripe, con dolor de cabeza, mareos y/o náusea. Si presenta alguno de estos síntomas, puede ser que la cocina no esté funcionando correctamente. ¡Obtenga aire fresco inmediatamente! Haga que reparen la cocina.

⚠️ ADVERTENCIA:

Cada vez que conecte la unidad, hay que verificar que no hayan fugas de una o más formas: Colocando agua jabonosa en la conexión y buscando burbujas, escuchando el silbido que produce el escape de gas, detectando frío extremo, sintiendo olor a huevo podrido. ¡No lo use si tiene fugas!

⚠️ ADVERTENCIA:

Este producto puede exponerlo a productos químicos, incluyendo plomo y compuestos de plomo, que de acuerdo con el Estado de California producen cáncer y defectos de nacimiento u otros daños reproductivos. Por mayor información, visite www.P65Warnings.ca.gov

⚠️ ADVERTENCIA:

PELIGRO DE INCENDIO Y EXPLOSIÓN

Si siente olor a gas:

1. No intente encender el artefacto.
2. Apague todas las llamas expuestas.
3. Desconecte el suministro de combustible.
4. Abandone inmediatamente el área.
5. Permita que el gas se disipe durante 5 minutos antes de volver a encender el artefacto.

No almacene ni utilice gasolina ni ningún otro vapor ni líquido inflamable cerca de este ni de ningún otro artefacto.

El no seguir estas instrucciones puede causar una explosión o incendio que podría causar daños materiales, heridas graves o la muerte.

⚠️ ADVERTENCIA:

Cualquier cambio realizado a esta cocina o a sus controles puede ser peligroso.

⚠️ ADVERTENCIA:

Solamente se puede usar con el calefactor Buddy FLEX.

ÍNDICE

2	Advertencias
3	Instrucciones generales de seguridad
3	Información general
4	Funcionamiento
	Encendido
	Apagado
	Mantenimiento
6	Diagnóstico de fallas
7	Lista de partes
8	Ordenar partes/Garantía

⚠️ ADVERTENCIA:

Los combustibles utilizados en los artefactos a gas licuado de propano y los productos de la combustión de dicho combustible pueden exponerlo a sustancias químicas, incluido el benceno, que según el estado de California puede provocar cáncer y causar defectos de nacimiento u otros daños reproductivos. Visite www.P65Warnings.ca.gov por mayor información.

⚠️ ADVERTENCIA:

No intente conectarla directamente a ningún otro suministro de combustible.

⚠️ ADVERTENCIA:

Siempre desconecte la cocina cuando no la utilice.

INSTRUCCIONES GENERALES DE SEGURIDAD

- Debido a las altas temperaturas, el calefactor debe ubicarse fuera de las áreas de tránsito y lejos de materiales combustibles.
 - Hay que alertar a los niños y adultos sobre el peligro de las altas temperaturas de la superficie, y deben mantenerse alejados para evitar quemaduras o quemaduras en la ropa.
 - No deje esta cocina desatendida mientras esté funcionando. Mantenga a los niños y a las mascotas alejados de la cocina todo el tiempo.
 - No coloque ropa u otro material combustible sobre o cerca de este artefacto.
 - Si saca la rejilla de cocción para reparar el artefacto, hay que volver a colocarla antes de poner la cocina en funcionamiento.
 - Hay que inspeccionar el artefacto antes de cada uso. Limpie la cocina con frecuencia para evitar la acumulación de grasa y posibles incendios de grasa. Los compartimientos de control, el quemador y los conductos de circulación de aire del artefacto deben mantenerse limpios, consulte MANTENIMIENTO.
 - NO use esta cocina si alguna de las piezas ha estado bajo el agua. Contáctese de inmediato con un técnico de mantenimiento calificado para que inspeccione la cocina y reemplace cualquier pieza del sistema de control y del control de gas que haya estado bajo el agua.
 - Si se utiliza sin suficiente aire de combustión y de ventilación, la cocina puede producir MONÓXIDO DE CARBONO excesivo, un gas venenoso e inodoro.
- ADVERTENCIA:** Los signos iniciales de envenenamiento con monóxido de carbono pueden parecer una gripe, con dolor de cabeza, mareos y/o náusea. Si presenta alguno de estos síntomas, puede ser que la cocina no esté funcionando correctamente. ¡Obtenga aire fresco inmediatamente! Haga que reparen la cocina.
- Algunas personas, como mujeres embarazadas, personas con enfermedades cardíacas o pulmonares, anemia, aquellas bajo la influencia del

alcohol o aquellas que se encuentren a gran altitud, se ven más afectadas por el monóxido de carbono que otras.

- Cuando la cocina se coloque en el suelo, asegúrese de que el suelo esté nivelado y no coloque ningún objeto a menos a 8 pulgadas del frente de la cocina.

DISIPACIÓN DEL OLOR – NO SE DETECTA NINGÚN OLOR

- Algunas personas tienen problemas de olfato. Algunos no pueden detectar el olor del químico artificial añadido al gas propano (LP). Usted debe determinar si es capaz de reconocer la sustancia aromática que contienen estos gases combustibles.
- Aprenda a reconocer el olor del gas propano (LP). Los distribuidores locales de propano (LP) le darán con gusto un panfleto con muestras de olores. Utilícelo para familiarizarse con el olor del gas combustible.
- El hábito de fumar puede disminuir su sentido del olfato. Exponerse a un olor durante un período de tiempo puede afectar su sensibilidad a ese olor específico. Los olores presentes en instalaciones donde se crían animales pueden enmascarar el olor del gas combustible.
- **La sustancia aromática presente en el gas propano (LP) es incolora y la intensidad de su olor puede desvanecerse en algunas circunstancias.**
- Si hay una fuga subterránea, el recorrido del gas a través del suelo filtrará esta sustancia aromática.
- El aroma del gas propano (LP) puede variar en intensidad a diferentes niveles. Dado que el gas propano (LP) es más pesado que el aire, el olor puede ser más intenso en los niveles más bajos.
- **Manténgase siempre alerta al más mínimo olor a gas.** Si continúa percibiendo el olor a gas, no importa cuán poco sea, proceda como si fuera una fuga seria. Tome medidas inmediatamente como se explicó anteriormente.

ATENCIÓN - ¡PUNTOS IMPORTANTES PARA RECORDAR!

- El gas propano (LP) tiene un olor característico. Aprenda a reconocer estos olores. (Vea las secciones Olor a gas combustible y Disipación del olor).

Especificaciones	
No. de modelo	MH8CFLEX
Entrada (BTU/h)	5.500-8000
Tipo de gas	Propano (LP)
Distancia a combustibles	
Parte superior	18" (46 cm)
Frente	8" (21 cm)
Costados	8" (21 cm)
Parte posterior	8" (21 cm)

- Aunque usted no esté capacitado para darle mantenimiento y para reparar la cocina, SIEMPRE esté atento al olor del gas propano (LP).
- Si no ha recibido capacitación para reparar y darle mantenimiento a equipos que utilizan gas propano (LP), no intente encender la cocina, ni darle mantenimiento o repararla, ni haga ningún ajuste a la cocina en el sistema de combustible de gas propano.
- Una prueba olfativa periódica en las proximidades de la cocina o en las conexiones del calefactor, por ejemplo, en la manguera, los acoples, etc., es una buena medida de seguridad en todo momento. Si huele la más mínima cantidad de gas, PÓNGASE EN CONTACTO CON SU PROVEEDOR DE GAS INMEDIATAMENTE. ¡NO ESPERE!

INFORMACIÓN GENERAL

- Los cilindros de gas LP que se utilizan con una cocina deben estar contruidos e identificados de acuerdo con las especificaciones para cilindros de gas LP del Departamento de Transportación de los EE.UU., o la Norma de Transporte de Canadá, las normas para cilindros, esferas y tubos para el transporte de productos peligrosos CAN/CSA-B339.
- Utilice únicamente suministro de propano con RECUPERACIÓN DE VAPOR. Si tiene alguna pregunta sobre la recuperación de vapor, consulte a su proveedor de propano.
- ¡SÓLO PARA USO EN EXTERIORES!

Instrucciones de Encendido

SIEMPRE INSTALE O REMUEVA EL CILINDRO AL AIRE LIBRE, LEJOS DE LAS LLAMAS U OTRAS FUENTES DE ENCENDIDO, Y SOLO CUANDO LA ESTUFA ESTÉ LO SUFICIENTEMENTE FRÍA COMO PARA PODER TOCARLA.

¡NUNCA FUME AL INSTALAR O REMOVER EL CILINDRO DE PROPANO O AL HACER CONEXIONES REMOTAS!

IMPORTANTE: La estufa no debe exponerse a vapores o líquidos inflamables durante el encendido.

1. Siga las instrucciones en el manual del calefactor Buddy Flex para conectar la cocina al calefactor (como se muestra en la Figura 1) y encender previamente el calefactor.

IMPORTANTE: Verifique la conexión rápida para detectar fugas con agua jabonosa. NUNCA USE UNA LLAMA PARA BUSCAR FUGAS.

2. Presione levemente la perilla de control y gírela hasta la posición "LOW/START". Vea la Figura 2.
3. Mantenga presionada la perilla de control mientras presiona el botón de encendido.
4. Mantenga presionada la perilla de control durante 5 - 30 segundos para activar la termocupla, hasta que el quemador se mantenga encendido.
5. Una vez que se mantiene la llama, gire la perilla de control para ajustar la llama a la intensidad deseada.

Instrucciones de Apagado

1. Para apagar la cocina, cierre primero el suministro de gas de la cocina, luego gire la perilla de control de la cocina a la posición "OFF".

- No utilice, almacene o remueva las conexiones del cilindro cerca de artículos inflamables o fuentes de ignición.
- ¡DEBE DESCONECTAR LOS CILINDROS DE GAS LP DEL CALEFACTOR CUANDO NO LO USE!

Pulsador de Encendido

El botón de encendido se encuentra a la izquierda de la perilla de control. Refiérase a la Figura 2.

Abra la tapa de la batería ubicada en la parte de abajo de la cocina para instalar la batería "AA" (incluida).

Para Transportar la Cocina

Su calefactor Buddy Flex y su cocina Buddy Flex están especialmente diseñados para transportarlos fácilmente como si fueran una sola unidad.

Para conectar la manguera al calefactor:

1. Coloque el calefactor encima de la cocina como se muestra en la Figura 3.
2. Levante la aleta de encastrado para enganchar cada riel y luego dóblela hacia abajo para asegurar la cocina al calefactor. Vea la Figura 4.

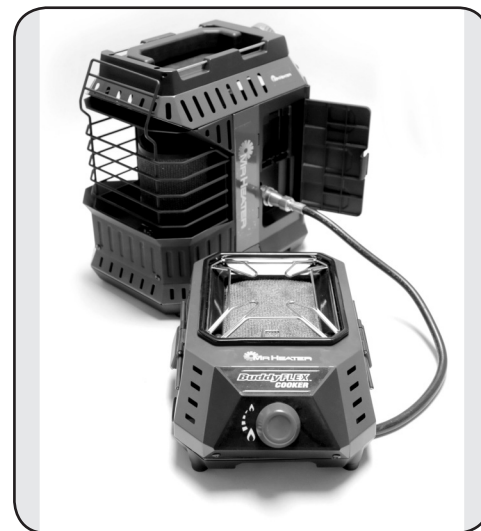


Figura 1



Figura 2



Figura 4



Figura 3

Mantenimiento

- Mantenga siempre el área de la cocina limpia y libre de materiales combustibles, gasolina y otros vapores y líquidos inflamables.
- Mantenga las áreas de ventilación (ranuras en la parte inferior y superior de la cocina) limpias en todo momento.

IMPORTANTE: La cocina y sus alrededores deben mantenerse limpios y libres de polvo.

- El quemador debe ser de color naranja brillante (con un ligero color azul alrededor del borde, un resplandor rojo-naranja visible en el material del quemador es aceptable) y sin llama perceptible.
- Si el quemador tiene una llama perceptible, puede ser necesario limpiarlo. Utilice el siguiente procedimiento para inspeccionar el mecanismo de la carcasa y del quemador principal.

Instrucciones de limpieza (consulte el Plano de despiece en la página 6):

IMPORTANTE: Permita que la cocina se enfríe completamente antes de realizar cualquier mantenimiento.

1. Inspeccione el interior de la carcasa por acumulación de polvo, pelusa o telarañas. Si fuera necesario, limpie el interior de la carcasa con una aspiradora o con aire a presión (no más de 30 psi). No dañe ningún componente dentro de la carcasa cuando la esté limpiando.

2. Puede limpiar el exterior de la cocina con un trapo húmedo. Evite usar directamente aerosoles o limpiadores en aerosol. No use materiales abrasivos o limpiadores en las etiquetas o en la perilla de control.

FUERA DE TEMPORADA

- Si la cocina se deja en "OFF" durante un tiempo considerable, hay que cerrar el suministro de gas propano (LP) del calefactor lo más cerca posible de la fuente de gas. En el caso de uso portátil, debe cerrar la llave de suministro de gas propano (LP) en el tanque de gas propano (LP).
- Si la cocina se almacena, asegúrese de desconectar el cilindro de gas propano (LP) del calefactor.
- Cuando el cilindro de gas LP no esté desconectado del calefactor, el calefactor, la cocina y el cilindro deben ubicarse al aire libre, en un lugar bien ventilado, fuera del alcance de los niños, y no deben almacenarse en un edificio, garaje o cualquier otro lugar cerrado.
- El almacenamiento de la cocina en el interior está permitido solo si el cilindro se desconecta y se remueve del calefactor. Los cilindros deben almacenarse al aire libre, en un espacio bien ventilado, fuera del alcance de los niños, y no deben almacenarse en un edificio, garaje o cualquier otro lugar cerrado.



Figura 5

⚠️ ADVERTENCIA: Siempre inspeccione el cilindro de propano y las conexiones de propano de la cocina por daños, suciedad y residuos antes de conectar el cilindro de propano. No lo use si el cabezal del cilindro está dañado, perforado o deteriorado.

⚠️ CUIDADO: Después de apagar la cocina, la rejilla metálica de cocción permanecerá caliente. Permita que se enfríe completamente antes de guardarla.

⚠️ CUIDADO: Limpie la cocina con frecuencia para evitar la acumulación de grasa y posibles incendios de grasa.

SÍNTOMA

- **El electrodo de encendido no produce chispa.**

CAUSA

1. Electrodo de encendido roto.
2. El cable del encendedor puede no estar conectado al electrodo de chispa.
3. Cable del encendedor dañado.
4. El módulo de encendido está defectuoso.

SOLUCIÓN

1. Reemplace el mecanismo del electrodo. Consulte con un distribuidor de servicio.
2. Conecte el cable del encendedor. Consulte con un distribuidor de servicio.
3. Reemplace el cable del encendedor. Consulte con un distribuidor de servicio.
4. Reemplace el módulo de ignición. Consulte con un distribuidor de servicio.

SÍNTOMA

- **El electrodo de encendido produce chispa pero la cocina no se enciende.**

CAUSA

1. No llega gas a la cocina.
2. La posición "LOW/START" no está alineada correctamente.

SOLUCIÓN

1. Conecte la cocina al calefactor y siga las instrucciones del manual del calefactor Buddy FLEX para proporcionar gas a la cocina.
2. Ajuste la perilla hasta que pueda presionarse para encender el quemador.

SÍNTOMA

- **La cocina sigue apagándose durante el funcionamiento normal.**

CAUSA

1. El piloto del calefactor se ha apagado.

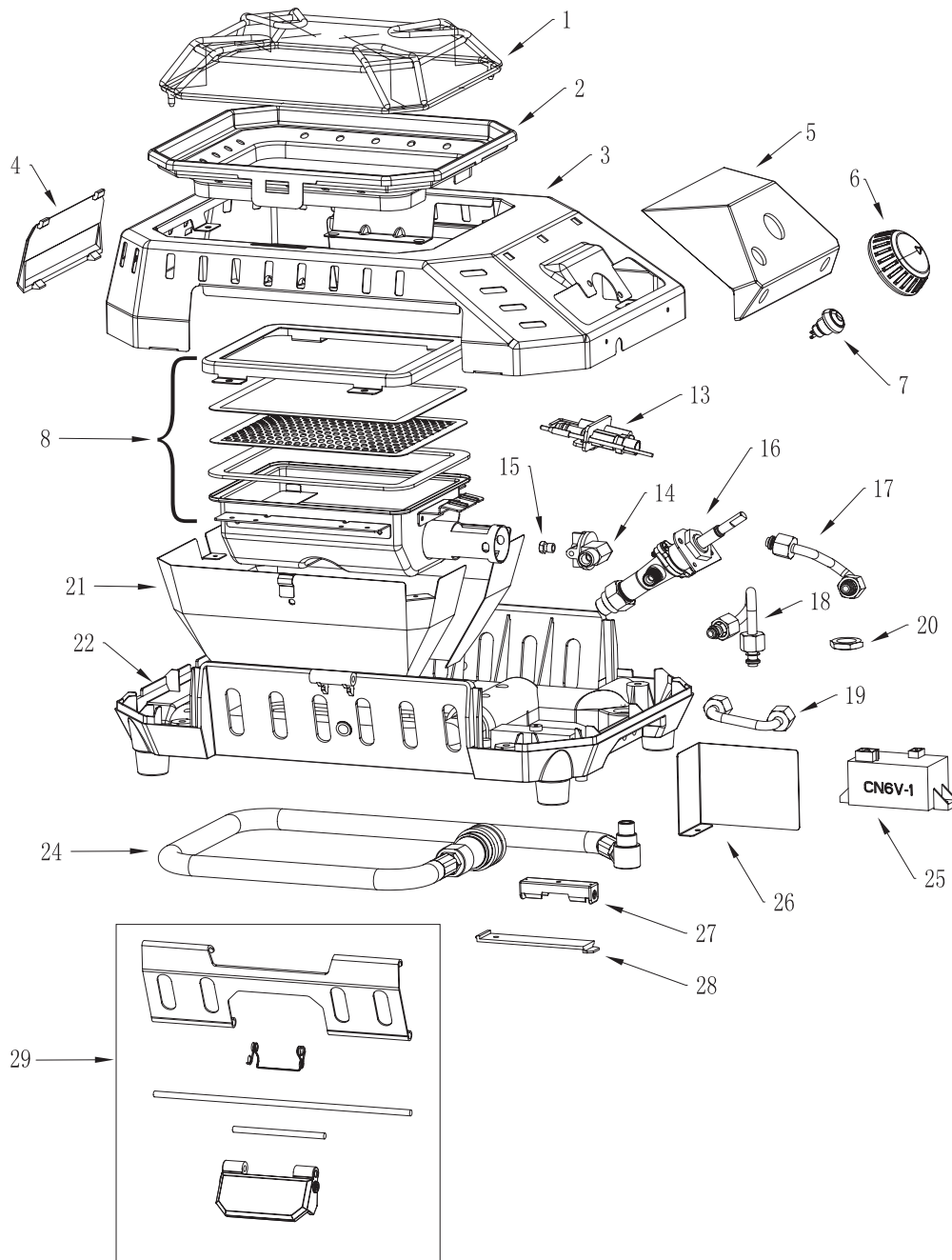
SOLUCIÓN

1. Siga las instrucciones para volver a encender el calefactor y la cocina.

- Por asistencia o información adicional, llame a Servicio Técnico.

Mr. Heater • Cocina portátil Buddy Flex • Modelo MH8CFLEX

LISTA DE PARTES



Artículo No.	No. de Parte	Descripción
1	78580	Rejilla de Cocción
2	78581	Reflector
3	78582	Parte Superior de Metal
4	78583	Cubierta Plástica Posterior
5	78584	Cubierta del Control
6	78585	Perilla
7	N/A	Botón de Encendido
8	N/A	Quemador
13	78586	Fuente de ignición
14	N/A	Soporte de Orificio
15	N/A	Orificio
16	N/A	Válvula

Artículo No.	No. de Parte	Descripción
17	N/A	Tubo de Encendido
18	N/A	Conjunto de Tubo de Entrada
19	N/A	Tubo del Quemador
20	N/A	Tuerca del Acople de Entrada
21	N/A	Cubierta Contra el Calor
22	78587	Base de Plástico
24	78588	Acople de Entrada de Manguera
25	N/A	Módulo de Encendido
26	N/A	Blindaje Térmico del Módulo de Encendido
27	N/A	Caja de la Batería
28	78589	Tapa de las Baterías
29	78590	Mecanismo de Hebilla

GARANTÍA Y COMPRA DE PIEZAS

COCINA PORTÁTIL BUDDY FLEX

Modelo # MH8CFLEX



LEA CUIDADOSAMENTE LAS INSTRUCCIONES: Lea y siga todas las instrucciones. Conserve estas instrucciones en un lugar seguro para futura referencia. No permita que nadie que no haya leído estas instrucciones arme, encienda, ajuste o use la cocina.

⚠️ ADVERTENCIA:

USE SOLAMENTE PARTES DE REPUESTO DEL FABRICANTE. EL USO DE CUALQUIER OTRA PARTE PODRÍA CAUSAR HERIDAS O LA MUERTE. LAS PARTES DE REPUESTO ESTÁN DISPONIBLES ÚNICAMENTE EN LA FÁBRICA Y DEBEN SER INSTALADAS POR UNA AGENCIA DE SERVICIO CALIFICADA.

⚠️ ADVERTENCIA:

ESTE PRODUCTO ES UNA COCINA. ESTÁ CERTIFICADA POR LA SECCIÓN DE REQUISITOS INTERNACIONALES ANSI Z21.72-2019 • CSA 11.2-2019, "COCINAS DE CAMPAMENTO A GAS DE TIPO PORTÁTIL". NUNCA USE ACCESORIOS HECHOS A MANO O DE TERCEROS CON ESTA COCINA. ESO ES EXTREMADAMENTE PELIGROSO Y PODRÍA CAUSAR LESIONES PERSONALES O LA MUERTE PARA USTED U OTRAS PERSONAS.

INFORMACIÓN PARA ORDENAR PARTES

COMPRAS: Puede comprar accesorios en cualquier distribuidor local de Mr. Heater o directamente de la fábrica.

POR INFORMACIÓN ACERCA DE REPARACIONES

Llame sin cargo al 800-251-0001

o visite www.mrheater.com

Nuestro horario de trabajo es de 08:00 AM a 5:00 PM, de lunes a viernes, hora del este.

Por favor, incluya el número de modelo, la fecha de compra y la descripción del problema en todas sus comunicaciones.

GARANTÍA LIMITADA

Mr. Heater, Inc. garantiza la calidad del material y la fabricación de sus cocinas y accesorios por un período de 1 año a partir de la fecha de compra. Mr. Heater, Inc. reparará o reemplazará este producto sin cargo si presentara desperfectos dentro del primer año tras realizada la compra, siempre y cuando el cliente costee la devolución y presente el comprobante de compra a Mr. Heater Inc. dentro del período de garantía. **DESCARGO:** Esta garantía no cubre ningún producto que: a) haya estado sujeto a mal uso o negligencia; b) se haya utilizado de manera inconsistente con las advertencias e instrucciones contenidas en el manual del usuario; o c) se haya utilizado con accesorios hechos a mano o de terceros. Esta garantía le otorga derechos legales específicos, y usted puede también tener otros derechos los que varían de un estado a otro.

Mr. Heater Inc. se reserva el derecho de hacer cambios en cualquier momento, sin previo aviso, en los colores, especificaciones, accesorios, materiales y modelos.

REGISTRO DEL PRODUCTO: Gracias por su compra.
Ingrese a <http://www.egiregistration.com> para registrar su producto.



DISEÑO
CERTIFICADO



NE JAMAIS LAISSER LE CUISEUR SANS SURVEILLANCE ALORS QU'IL EST ALLUMÉ!

MANUEL DE L'UTILISATEUR ET INSTRUCTIONS D'OPÉRATION

CUISEUR PORTATIF BUDDY FLEX



Modèle n° MH8CFLEX

RADIATEUR PORTATIF AU PROPANE
CONÇU POUR DES FINS RÉCRÉATIVES

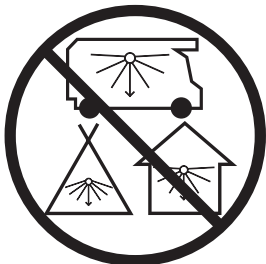
POUR LA VENTE AU CANADA ET AUX
ÉTATS-UNIS

LANGUES INCLUSES :

- ANGLAIS
- ESPAGNOL
- FRANÇAIS



 **DANGER**



RISQUE DE PRÉSENCE DE MONOXYDE DE CARBONE

Cet appareil peut créer du monoxyde de carbone, un gaz toxique qui est inodore. L'utilisation de cet appareil dans un espace renfermé peut vous tuer. Ne jamais utiliser cet appareil dans un espace renfermé, tel que dans une camionnette de camping, dans une auto ou à la maison.

POUR VOTRE SÉCURITÉ

Si vous détectez une odeur de gaz :

- Ne pas tenter d'allumer l'appareil.
- Éteindre toute flamme nue.
- Débrancher l'alimentation en carburant.

POUR VOTRE SÉCURITÉ

Ne pas ranger ni utiliser d'essence ou d'autres liquides ou émanations inflammables à proximité de cet appareil, ou de tout autre appareil.

LIRE ATTENTIVEMENT CES INSTRUCTIONS : VOTRE SÉCURITÉ EST IMPORTANTE POUR VOUS ET POUR LES AUTRES. Lire et suivre toutes les instructions. Placer ces instructions dans un endroit sûr pour référence future. Ne pas permettre à quiconque qui n'aurait pas lu ces instructions de procéder à un assemblage, à l'allumage, à un ajustement ni à l'utilisation de ce cuiseur.

⚠️ AVERTISSEMENT :

Les premiers signes d'un empoisonnement au monoxyde de carbone sont semblables à ceux d'un rhume, avec des maux de tête, des étourdissements et/ou la nausée. Si vous ressentez un de ces symptômes, le cuisEUR pourrait ne pas fonctionner correctement. Il faut sortir tout de suite à l'air frais! Faire réparer le cuisEUR.

⚠️ AVERTISSEMENT :

À chaque fois que l'appareil est connecté, la connexion doit être inspectée pour détecter toute présence d'une fuite, d'une ou de plusieurs manières suivantes : Appliquer de l'eau savonneuse sur la connexion, chercher la présence de bulles, écouter pour un son strident de gaz qui s'échappe, ressentir un froid extrême au toucher, sentir pour détecter une odeur d'œuf pourri. En cas de fuite, ne pas utiliser l'appareil!

⚠️ AVERTISSEMENT :

Ce produit peut vous exposer à des produits chimiques, y compris le plomb et les composés du plomb, qui sont reconnus par l'État de Californie pour causer des anomalies congénitales ou d'autres dommages de reproduction. Pour plus d'informations, visitez le site www.P65Warnings.ca.gov

⚠️ AVERTISSEMENT :

RISQUE D'INCENDIE OU D'EXPLOSION

Si vous détectez une odeur de gaz :

1. **Ne pas tenter d'allumer l'appareil.**
2. **Éteindre toute flamme nue.**
3. **Déconnecter l'alimentation en gaz.**
4. **Quitter la zone immédiatement.**
5. **Laisser le gaz se dissiper pendant 5 minutes avant de rallumer l'appareil.**

Ne pas ranger ni utiliser de l'essence ou d'autres émanations ou liquides inflammables à proximité de cet appareil, ou de tout autre appareil.

Le non respect de ces consignes peut résulter en un incendie ou une explosion, ce qui peut causer des dommages à la propriété, des blessures ou la mort.

⚠️ AVERTISSEMENT :

Toute modification sur ce cuisEUR ou sur ses contrôles peut s'avérer dangereuse.

⚠️ AVERTISSEMENT :

Pour usage uniquement avec le radiateur Buddy FLEX.

TABLE DES MATIÈRES

2 **Avertissements**

3 **Instructions générales de sécurité**

3 **Informations générales**

4 **Fonctionnement**

 Allumage

 Extinction

 Entretien

6 **Dépannage**

7 **Liste des pièces**

8 **Commande de pièces/garantie**

⚠️ AVERTISSEMENT :

Les carburants utilisés dans les appareils au gaz propane liquéfié, et les produits de combustion de ces carburants, peuvent vous exposer à des produits chimiques incluant le benzène, qui est reconnu par l'État de Californie pour causer le cancer et des anomalies congénitales ou d'autres dommages de reproduction. Pour plus d'informations, visitez le site www.P65Warnings.ca.gov.

⚠️ AVERTISSEMENT :

Ne pas tenter de connecter directement sur une source de carburant.

⚠️ AVERTISSEMENT :

Déconnecter toujours le cuisEUR quand il n'est pas utilisé.

INSTRUCTIONS GÉNÉRALES DE SÉCURITÉ

- En raison de températures élevées, cet appareil doit être placé loin du trafic et loin de matériau combustible.
- Il faut aviser les adultes et les enfants des risques de températures élevées sur les surfaces, et qu'ils doivent rester éloignés afin d'éviter toute brûlure ou embrasement des vêtements.
- Ne pas laisser cet appareil sans surveillance pendant son fonctionnement. Garder les enfants et les animaux de compagnie éloignés de ce cuiseur, en tout temps.
- Ne pas placer les vêtements ou autre matériau combustible proches de cet appareil, ou sur cet appareil.
- Si la grille de cuisson est retirée pour un service sur l'appareil, elle doit être replacée avant de réutiliser le cuiseur.
- Cet appareil doit être inspecté avant chaque utilisation. Nettoyer le cuiseur fréquemment pour éviter toute accumulation de graisse et les incendies de graisse. Les compartiments des contrôles, du brûleur et les voies de circulation d'air de l'appareil doivent être gardés propres, voir la section ENTRETIEN.
- NE PAS utiliser ce cuiseur si une de ses parties a été sous l'eau. Appeler immédiatement un technicien de service qualifié pour inspecter le cuiseur, et pour remplacer toute pièce du système de contrôle et tout contrôle du gaz, qui aurait été sous l'eau.
- En cas d'utilisation sans une quantité adéquate d'air de combustion et de ventilation, ce cuiseur peut émettre des quantités excessives de monoxyde de carbone, un gaz inodore et toxique.

AVERTISSEMENT : Les premiers signes d'un empoisonnement au monoxyde de carbone sont semblables à ceux d'un rhume, avec des maux de tête, des étourdissements et/ou la nausée. Si vous ressentez un de ces symptômes, le cuiseur pourrait ne pas fonctionner correctement. Il faut sortir tout de suite à l'air frais! Faire réparer le cuiseur.

Certaines personnes - notamment les femmes enceintes, les personnes souffrant de maladie cardiaque et/ou pulmonaire ou d'anémie, les personnes sous l'influence de l'alcool, et celles qui se trouvent en haute altitude - sont plus affectées par le monoxyde de carbone que d'autres.

- Quand le cuiseur est placé sur le sol, il faut s'assurer que le sol soit à niveau, et garder tout objet à au moins 21 cm (8 po) de distance de l'avant du cuiseur.

ESTOMPEMENT D'ODEUR – AUCUNE ODEUR DÉTECTÉE

- Certaines personnes ne peuvent pas percevoir les odeurs correctement. Certaines personnes ne peuvent pas sentir le produit chimique fabriqué par l'humain qui est ajouté au gaz propane liquide. Il faut déterminer si vous pouvez sentir la matière odorante dans ces gaz combustibles.
- Il faut apprendre à reconnaître l'odeur du gaz propane liquide. Les détaillants locaux de gaz propane liquide se feront un plaisir de vous procurer un dépliant de type gratter et sentir, à utiliser pour vous familiariser avec l'odeur du gaz.
- Si vous êtes fumeur/fumeuse, cela peut affaiblir votre sens de l'odorat. Le fait de se retrouver en présence d'une odeur pendant une certaine période de temps peut affecter votre sensibilité envers cette odeur particulière. Les odeurs qui sont présentes dans un bâtiment où sont confinés des animaux peuvent masquer l'odeur du gaz.
- **La matière odorante dans le gaz propane (liquide) est incolore, et son intensité peut s'estomper dans certaines circonstances.**
- S'il y a une fuite de gaz souterraine, le mouvement du gaz dans le sol pourrait filtrer la matière odorante.
- L'odeur du gaz propane (liquide) peut différer en intensité à des niveaux divers. Puisque le gaz propane (liquide) est plus lourd que l'air, l'odeur pourrait être plus forte aux niveaux inférieurs.
- **Il faut toujours rester sensible et alerte à la moindre odeur de gaz.** Si vous continuez à détecter une odeur de gaz, peu importe qu'elle soit légère, il faut traiter cela comme une fuite grave. Il faut alors immédiatement prendre action, tel que discuté précédemment.

ATTENTION POINTS CRITIQUES À VOUS RAPPELER!

- Le gaz propane (liquide) comporte une odeur distinctive. Il faut apprendre à reconnaître cette odeur. (Se référer aux sections sur l'odeur de gaz et l'estompement de l'odeur de gaz, ci-dessus).

Spécifications	
N° de modèle	MH8CFLEX
Puissance (BTU/hre)	5 500 à 8 000
Type de gaz	Propane (liquide)
Dégagement des matériaux combustibles	
Haut	18 po (46 cm)
Avant	8 po (21 cm)
Côtés	8 po (21 cm)
Arrière	8 po (21 cm)

- Même si vous n'êtes pas formé adéquatement pour le service et la réparation du cuiseur, il faut TOUJOURS porter attention aux odeurs de gaz propane.
- Si vous n'avez pas été formé adéquatement pour la réparation ou le service de gaz propane, alors il ne faut pas tenter d'allumer le cuiseur, d'effectuer un service ou une réparation, ou de faire un ajustement sur le système de carburant d'un système fonctionnant au gaz propane.
- Nous suggérons de respecter une bonne pratique de sécurité à l'effet de sentir autour du cuiseur ou des joints du radiateur; par exemple, des connexions, du boyau, etc., en toute condition. Si vous sentez ne serait-ce qu'une légère odeur de gaz, COMMUNIQUEZ IMMÉDIATEMENT AVEC VOTRE FOURNISSEUR DE GAZ. IL EST CRUCIAL DE NE PAS ATTENDRE!

INFORMATIONS GÉNÉRALES

- Les cylindres de gaz de propane liquide utilisés avec un poêle doivent être fabriqués et marqués conformément aux spécifications de la norme de Transport Canada et du département des Transports des États-Unis CAN/CSA B339 pour les « cylindres, les sphères, et les tubes pour le transport des matières dangereuses. »
- Utiliser uniquement une alimentation en propane avec ÉLIMINATION DE VAPEUR. Pour toute question concernant l'élimination de vapeur, consulter votre fournisseur de propane.
- **POUR USAGE À L'EXTÉRIEUR UNIQUEMENT!**

Instructions d'Allumage

IL FAUT TOUJOURS RACCORDER OU DÉCONNECTER LE CYLINDRE DE GAZ DU RADIATEUR À L'EXTÉRIEUR, LOIN DE TOUTE FLAMME, ET D'AUTRES SOURCES D'IGNITION, ET SEULEMENT QUAND IL EST FROID AU TOUCHER. IL NE FAUT JAMAIS FUMER LORS DU RACCORDEMENT OU DE LA DÉCONNEXION DU CYLINDRE DE PROPANE, OU LORS DES RACCORDEMENTS À DISTANCE!

IMPORTANT : Le cuiseur ne doit pas être exposé à des vapeurs ou des liquides inflammables pendant l'allumage.

1. Suivre les instructions dans le manuel du radiateur Buddy Flex pour fixer le cuiseur au radiateur (tel que décrit à la figure 1) et pour faire le pré-allumage du radiateur.

IMPORTANT : Vérifier la connexion rapide pour détecter la présence de fuite avec de l'eau savonneuse. NE PAS UTILISER UNE FLAMME EXPOSÉE POUR DÉTECTER DES FUITES.

2. Pousser légèrement le bouton de contrôle, et le tourner vers la position « LOW/START (basse puissance/démarrage). Voir la figure 2.
3. Pousser et maintenir le bouton de contrôle tout en maintenant le bouton d'ignition.
4. Maintenir le bouton de contrôle enfoncé pendant 5 à 30 secondes pour activer le thermocouple, jusqu'à ce que le brûleur reste allumé.
5. Lorsque la flamme est soutenue, tourner le bouton de contrôle pour ajuster la flamme au réglage voulu.

Instructions d'Extinction

1. Pour éteindre le cuiseur, couper d'abord l'alimentation en gaz du radiateur, puis, tourner le bouton de contrôle du cuiseur à la position « OFF (éteinte). »
- Ne pas utiliser, ranger ou retirer le cylindre près d'éléments inflammables ou de source d'ignition.
 - IL FAUT DÉCONNECTER LES CYLINDRES DE GAZ DU RADIATEUR QUAND IL N'EST PAS UTILISÉ!

Ignition à Pulsation

Le bouton d'ignition à pulsation est situé à la gauche du bouton de contrôle. Voir la figure 2.

Ouvrir le couvercle du compartiment de la pile, situé au bas du compartiment des accessoires, pour installer la pile AAA (incluse).

Transport du Cuiseur

Votre radiateur Buddy Flex et votre cuiseur Buddy Flex sont spécialement conçus pour se déplacer facilement comme un seul appareil.

Pour fixer le cuiseur au radiateur :

1. Placer le cuiseur sur le dessus du radiateur, tel qu'illustré à la figure 3.
2. Soulever le rabat d'engagement pour engager chaque guide, puis le replier pour fixer le cuiseur au radiateur. Voir la figure 4.

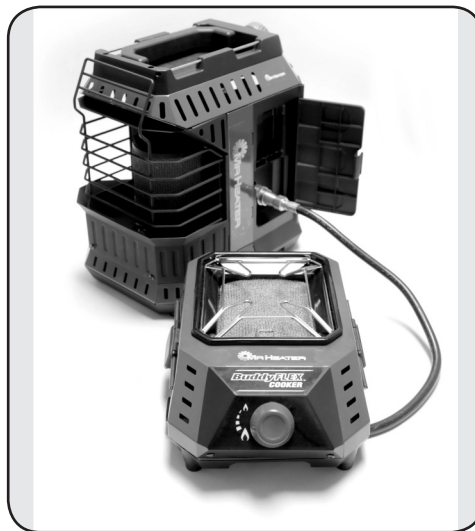


Figure 1

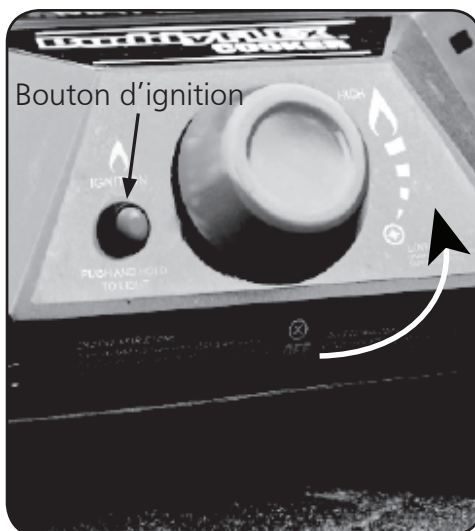


Figure 2



Figure 4



Figure 3

Entretien

- Garder toujours la zone du cuiseur dégagée et libre de tout matériau combustible, d'essence et d'autres liquides ou vapeurs inflammables.
- Garder les zones d'évent (les fentes au bas et en haut du cuiseur) dégagées en tout temps.

IMPORTANT : Le cuiseur et son entourage doivent être gardés propres et libres de poussière.

- Le brûleur doit avoir une couleur orange vive (avec une couleur légèrement bleutée sur le contour, un halo de couleur rouge-orange qui serait visible sur le matériau du brûleur est acceptable) et sans flamme remarquable.
- Si le brûleur offre une flamme notable, un nettoyage peut être requis. Utiliser la procédure suivante pour inspecter l'assemblage du châssis, et l'assemblage du brûleur principal.

Instructions Pour le Nettoyage (voir la vue éclatée en page 6) :

IMPORTANT : Laisser le cuiseur refroidir complètement avant d'effectuer un entretien.

1. Inspecter l'intérieur du bâti pour la présence d'accumulation de poussière, de charpie ou de toiles d'araignée. Si nécessaire, nettoyer l'intérieur de l'assemblage du bâti avec un aspirateur ou avec de l'air sous pression (pression maximale de 30 PSI). Prendre grand soin de ne pas endommager quelque composant au sein de l'assemblage du bâti lors du nettoyage.

2. L'extérieur du cuiseur peut être nettoyé avec un chiffon humide. Éviter l'usage direct de nettoyant en aérosol ou en pulvérisateur. Ne pas utiliser de matériel ou de nettoyant abrasif sur la décalcomanie ou sur le bouton de contrôle.

PÉRIODE D'INACTIVITÉ HORS SAISON

- Si le cuiseur doit rester éteint pendant une longue période de temps, l'alimentation en gaz propane vers le cuiseur et le radiateur doit être coupée, aussi près de la source de gaz qui soit possible. Dans le cas d'une utilisation portable, le gaz doit être coupé au cylindre d'alimentation en gaz propane.
- Dans les cas de rangement du cuiseur, s'assurer de déconnecter le cylindre de gaz propane du radiateur.
- Lorsque le réservoir d'alimentation en gaz propane n'est pas déconnecté du radiateur, le radiateur, le cuiseur, et le réservoir doivent être rangés à l'extérieur, dans un espace bien ventilé, hors de portée des enfants, et ils ne doivent pas être rangés dans un immeuble, un garage ou tout autre espace fermé.
- Le rangement du cuiseur à l'intérieur est permmissible SEULEMENT si le cuiseur est déconnecté et retiré du radiateur. LES CYLINDRES DOIVENT ÊTRE RANGÉS À L'EXTÉRIEUR, dans un espace bien ventilé, hors de portée des enfants et ils ne doivent pas être rangés dans un immeuble, dans un garage ou dans un autre espace fermé.



Figure 5

⚠ AVERTISSEMENT: Il faut toujours inspecter le cylindre de propane, et les connexions du propane au cuiseur, pour détecter la présence de dommage, de saleté et de débris, avant de raccorder le cylindre de propane. Ne pas utiliser si la tête du cylindre est endommagée, perforée ou détériorée.

⚠ MISE EN GARDE : Après avoir éteint le cuiseur, la grille de cuisson restera chaude pendant un moment. Laisser refroidir l'appareil avant de le ranger.

MISE EN GARDE : Nettoyer le cuiseur fréquemment pour éviter toute accumulation de graisse et des incendies possibles de graisse.

SYMPTÔME

- **L'électrode ne produit pas d'étincelle.**

CAUSE

1. L'électrode est brisée.
2. Le fil de l'allumeur peut être débranché de l'électrode.
3. Le fil de l'allumeur est endommagé.
4. Le module d'ignition est défectueux.

SOLUTION

1. Remplacer l'assemblage d'électrode. Consulter votre fournisseur de service.
2. Fixer le fil de l'allumeur. Consulter votre fournisseur de service.
3. Remplacer le fil de l'allumeur. Consulter votre fournisseur de service.
4. Remplacer le module d'ignition. Consulter votre fournisseur de service.

SYMPTÔME

- **L'électrode produit des étincelles mais le cuiseur n'allume pas.**

CAUSE

1. Manque de gaz au cuiseur.
2. La position « LOW/START (basse puissance/démarrage) » n'est pas alignée correctement.

SOLUTION

1. Connecter le cuiseur au radiateur et suivre les instructions dans le manuel du radiateur Buddy FLEX pour fournir du gaz au cuiseur.
2. Ajuster le bouton jusqu'à ce qu'il puisse être pressé pour l'ignition du brûleur.

SYMPTÔME

- **Le cuiseur s'éteint constamment pendant son fonctionnement normal.**

CAUSE

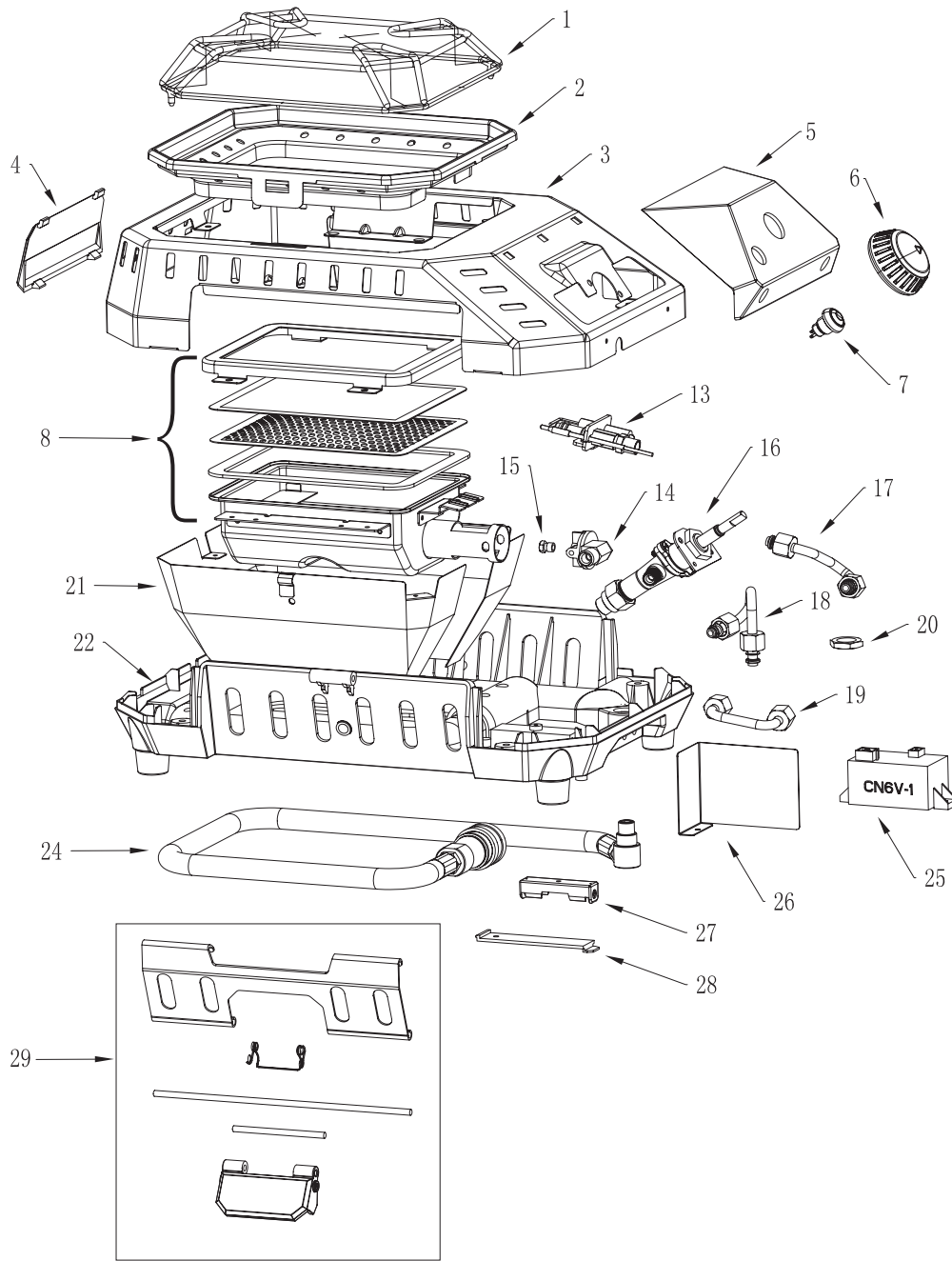
1. Le pilote sur le radiateur est éteint.

SOLUTION

1. Suivre les instructions pour rallumer le radiateur et le cuiseur.

- Pour plus d'assistance ou d'informations, veuillez appeler notre département de service technique.

Mr. Heater • Cuiseur portatif Buddy Flex • Modèle n° MH8CFLEX



N° d'article	N° de pièce	Description
1	78580	Grille de Caisson
2	78581	Réflecteur
3	78582	Dessus en Métal
4	78583	Protecteur Arrière en Plastique
5	78584	Couvercle des Contrôles
6	78563	Bouton
7	N/A	Bouton d'Ignition
8	N/A	Assemblage du Brûleur
13	78586	Source d'Ignition
14	N/A	Support d'Orifice
15	N/A	Orifice
16	N/A	Robinet

N° d'article	N° de pièce	Description
17	N/A	Assemblage du Tube d'Ignition
18	N/A	Ensemble de Tube d'Entrée
19	N/A	Assemblage du tube du brûleur
20	N/A	Écrou du Raccord d'Entrée
21	N/A	Protecteur Thermique
22	78587	Base en Plastique
24	78588	Assemblage du Boyau d'Entrée
25	N/A	Module d'Ignition
26	N/A	Protecteur Thermique du Module d'Ignition
27	N/A	Casier à Pile
28	78589	Couvercle du Compartiment de Pile
29	78590	Assemblage de Boucle

NE JAMAIS LAISSER LE CUISEUR SANS SURVEILLANCE ALORS QU'IL EST ALLUMÉ!

GARANTIE ET COMMANDE DE PIÈCES

CUISEUR PORTATIF BUDDY FLEX



Modèle n° MH8CFLEX

LIRE ATTENTIVEMENT CES INSTRUCTIONS : Lire et suivre toutes ces instructions. Placer ces instructions dans un endroit sûr pour référence future. Ne pas permettre à quiconque qui n'aurait pas lu ces instructions de procéder à un assemblage, un ajustement ni au fonctionnement de ce cuiseur.

⚠️ AVERTISSEMENT :

UTILISER UNIQUEMENT DES PIÈCES DE RECHANGE D'ORIGINE DU FABRICANT. L'UTILISATION D'AUTRES PIÈCES DE RECHANGE PEUT ENTRAÎNER DES BLESSURES OU UN DÉCÈS. LES PIÈCES DE RECHANGE SONT SEULEMENT DISPONIBLES DIRECTEMENT AUPRÈS DU FABRICANT, ET ELLES DOIVENT ÊTRE INSTALLÉES PAR UNE AGENCE DE SERVICE QUALIFIÉE.

⚠️ AVERTISSEMENT :

CE PRODUIT EST UN CUISEUR. IL EST CERTIFIÉ CONFORME À LA NORME D'EXIGENCE INTERNATIONALE Z21.72-2019 • CSA 11.2-2019, « POÊLES DE CAMP AU GAZ DE TYPE PORTABLE. » NE JAMAIS UTILISER DES ACCESSOIRES OU FIXATIONS DE TIERCE PARTIE OU FAITS À LA MAIN AVEC CE CUISEUR; CELA EST EXTRÊMEMENT DANGEREUX ET PEUT CAUSER DES BLESSURES OU UN DÉCÈS, POUR VOUS OU LES AUTRES.

INFORMATION POUR LA COMMANDE DE PIÈCES

APPROVISIONNEMENT : Il est possible d'acheter des accessoires auprès d'un détaillant local des produits Mr. Heater, ou directement du fabricant.

POUR DES INFORMATIONS CONCERNANT LE SERVICE

Veuillez appeler sans frais au numéro 1-800-251-0001 ou visiter notre site Web, à l'adresse www.MrHeater.com

Nos heures d'ouverture de bureau sont de 8h00 à 17h00, HNE, du lundi au vendredi.

Veuillez inclure le numéro de modèle, la date d'achat et une description du problème, dans toutes vos communications.

GARANTIE LIMITÉE

Mr. Heater, Inc., garantit ses cuiseurs et accessoires pour être libres de tout vice de matériau et de main-d'œuvre pour une période d'une (1) année de la date d'achat. Mr. Heater, Inc., va réparer ou remplacer ce produit sans frais s'il a été prouvé qu'il soit défectueux, pendant une période d'une (1) année, et s'il a été retourné, aux frais du client, avec la preuve d'achat, à l'attention de Mr. Heater, Inc., pendant la période de garantie. EXONÉRATION : Cette garantie ne couvre un produit qui : a) été sujet à un mauvais usage ou une négligence; b) a été utilisé de manière qui ne soit pas consistante avec les avertissements et les instructions contenues dans le manuel de l'utilisateur; ou c) qui aurait été utilisé avec des fixations ou des accessoires fabriqués à la main ou de tierce partie. Cette garantie vous confère des droits spécifiques, et vous pourriez aussi avoir d'autres droits, qui varient d'un état/province à l'autre.

Mr. Heater, Inc. se réserve le droit de faire des changements en tout temps, sans préavis ni obligation, dans les couleurs, les spécifications, les accessoires, les matériaux et les modèles.

ENREGISTREMENT DU PRODUIT : Nous vous remercions pour votre achat. Veuillez ouvrir une session à l'adresse <http://www.egiregistration.com> pour enregistrer votre produit.

DESIGN
CERTIFIÉ



ENERCO INC., 4560 W. 160TH ST., CLEVELAND, OHIO 44135 • 800-251-0001
Mr. Heater est une marque déposée de Enerco Group, Inc.
© Enerco/Mr. Heater, 2020. Tous droits réservés.