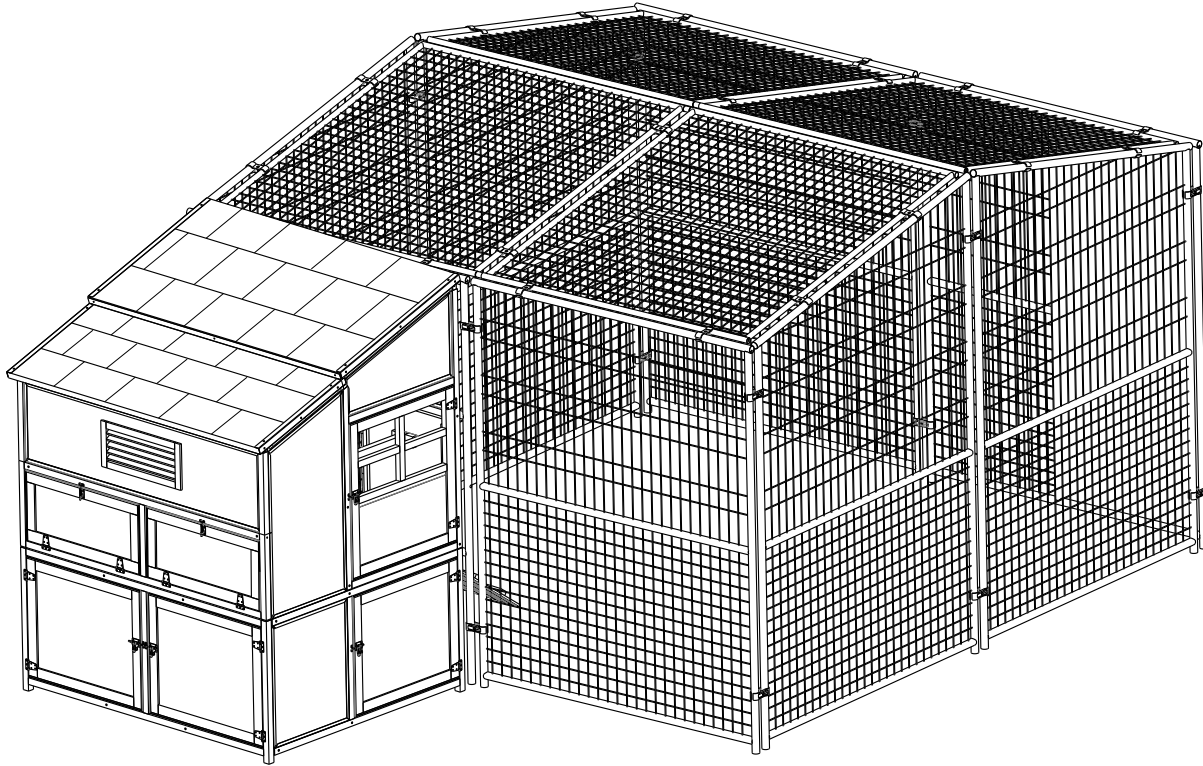


CHICKEN COOP & CHICKEN RUN ASSEMBLY MANUAL

SKU# 1485380



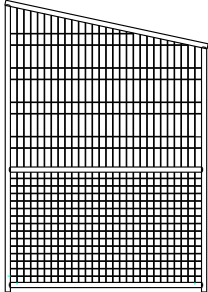
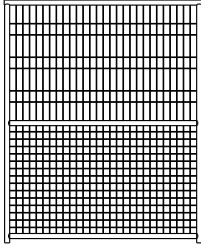
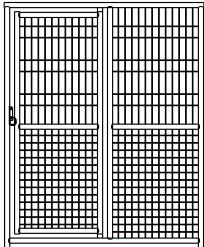
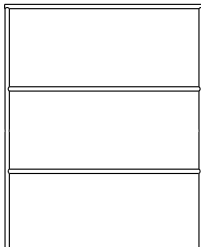
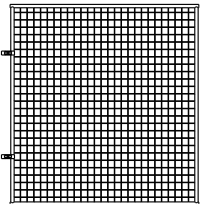
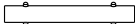




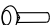

Tools required for assembly (not included)



Distributed by: TRACTOR SUPPLY COMPANY
5401 VIRGINIA WAY, BRENTWOOD, TN 37027
For customer support, call: 1-888-376-9601
www.TractorSupply.com
MADE IN CHINA

Instruction for chicken run

PARTS LIST

Part#	Description	Drawing	Qty.
1	Side panel		4
2	Standard panel		2
3	Door panel		1
4	Coop attachment frame		1
5	Roof panel		4
6	Connecting tube		4
7	32-32 clamp		32
8	32-25 clamp		24
9	25-25 clamp		8
10	M10x50 bolt		16
11	M10x35 bolt		20
12	M10 lock nut		36

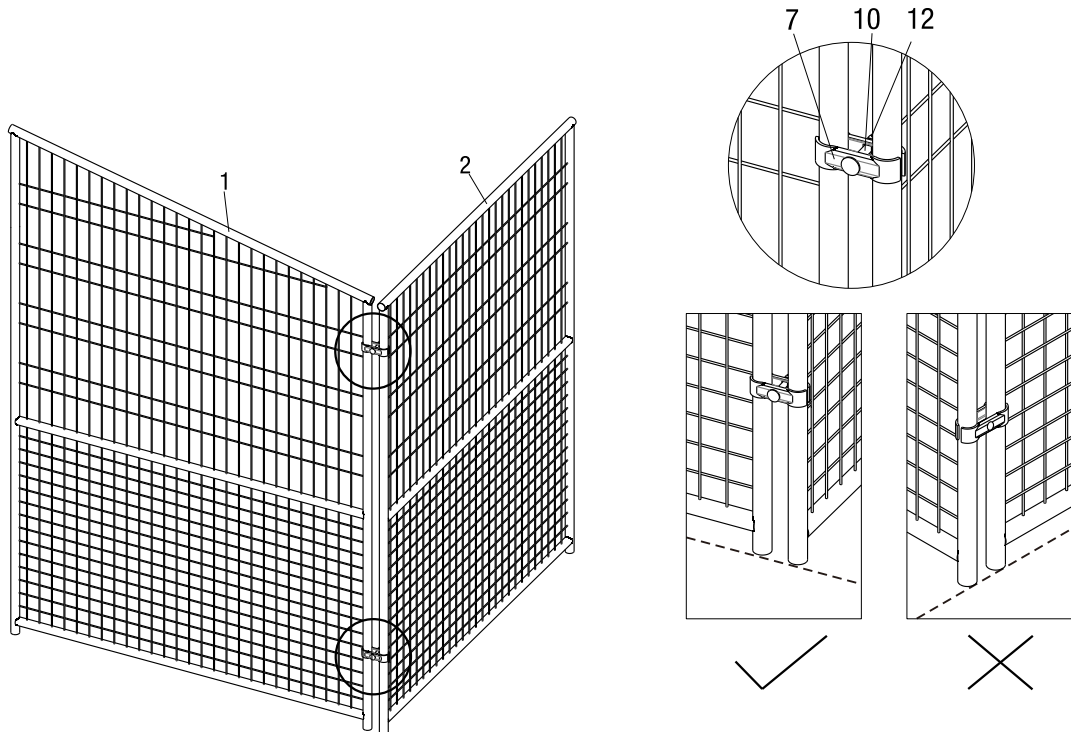
ASSEMBLY

- Please select a flat and level location to position and assemble the chicken coop and run.

Step 1

- Connect the short side of side panel (1) with standard panel (2) using clamps (7). Secure with bolts (10) and nuts (12).
**PLEASE NOTE: Arrange panels as shown below.

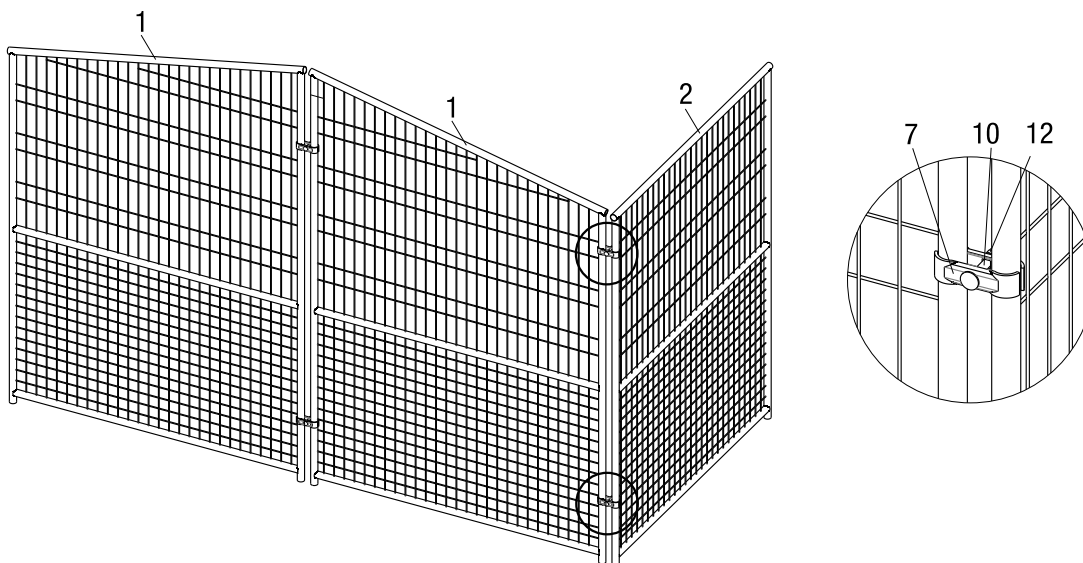
1



Step 2

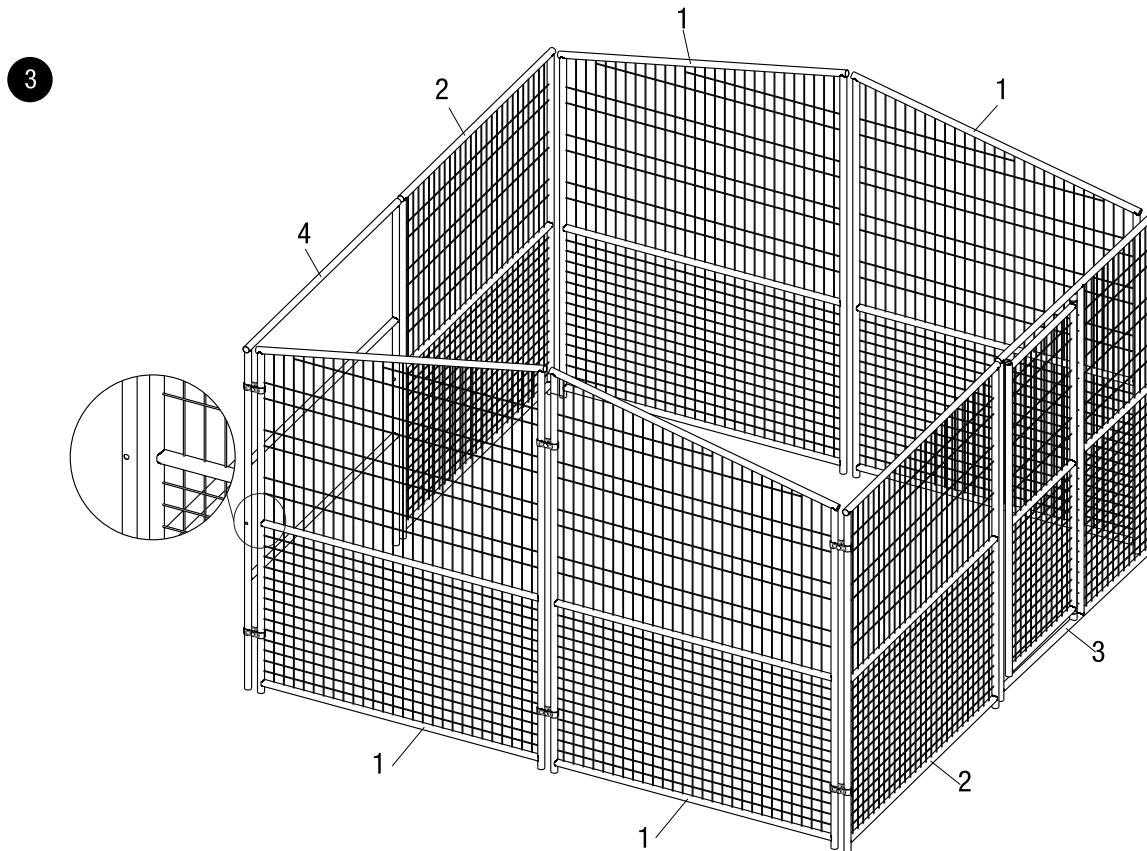
- Connect the tall sides of panels (1) using clamps (7). Secure with bolts (10) and nuts (12) as shown below.

2



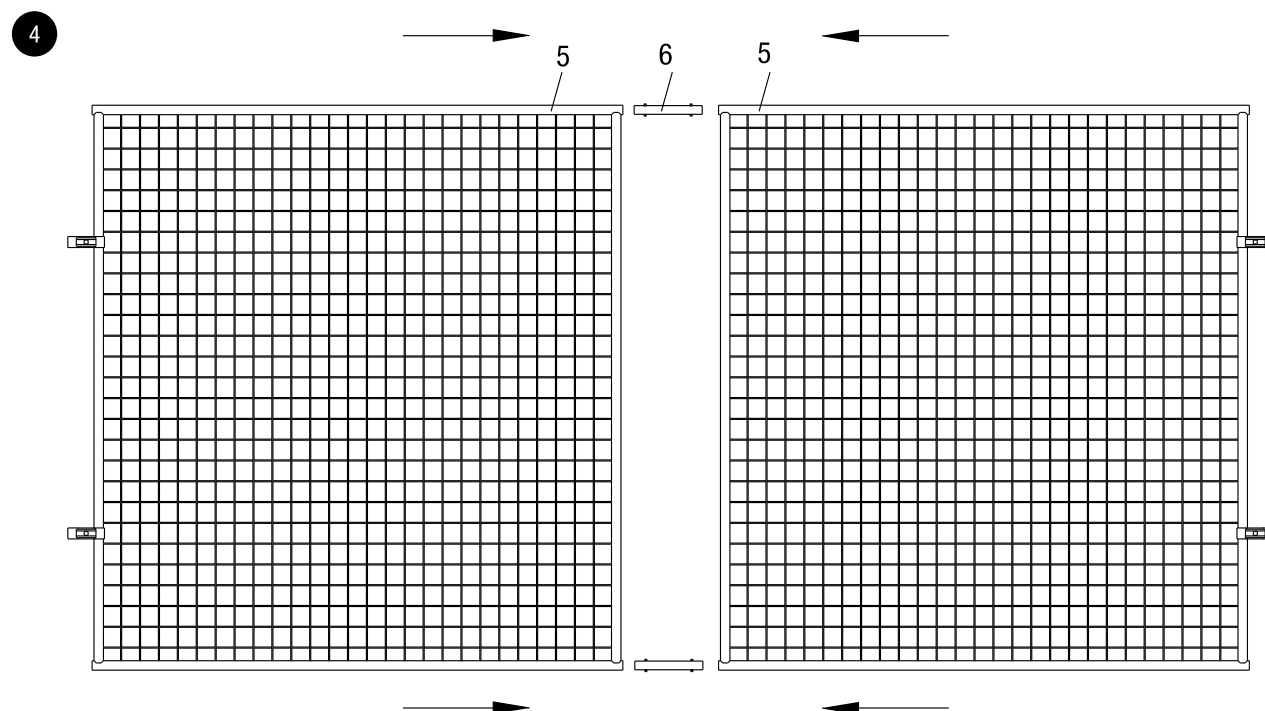
Step 3

- Repeat steps 1 and 2 to assemble the remaining panels.
- **PLEASE NOTE: before finishing panel assembly, choose desired position of coop attachment frame (4) & door panel (3).
- Please note the chicken coop mounting panel must be positioned with the coop sliding door handle hole to the outside corner.



Step 4

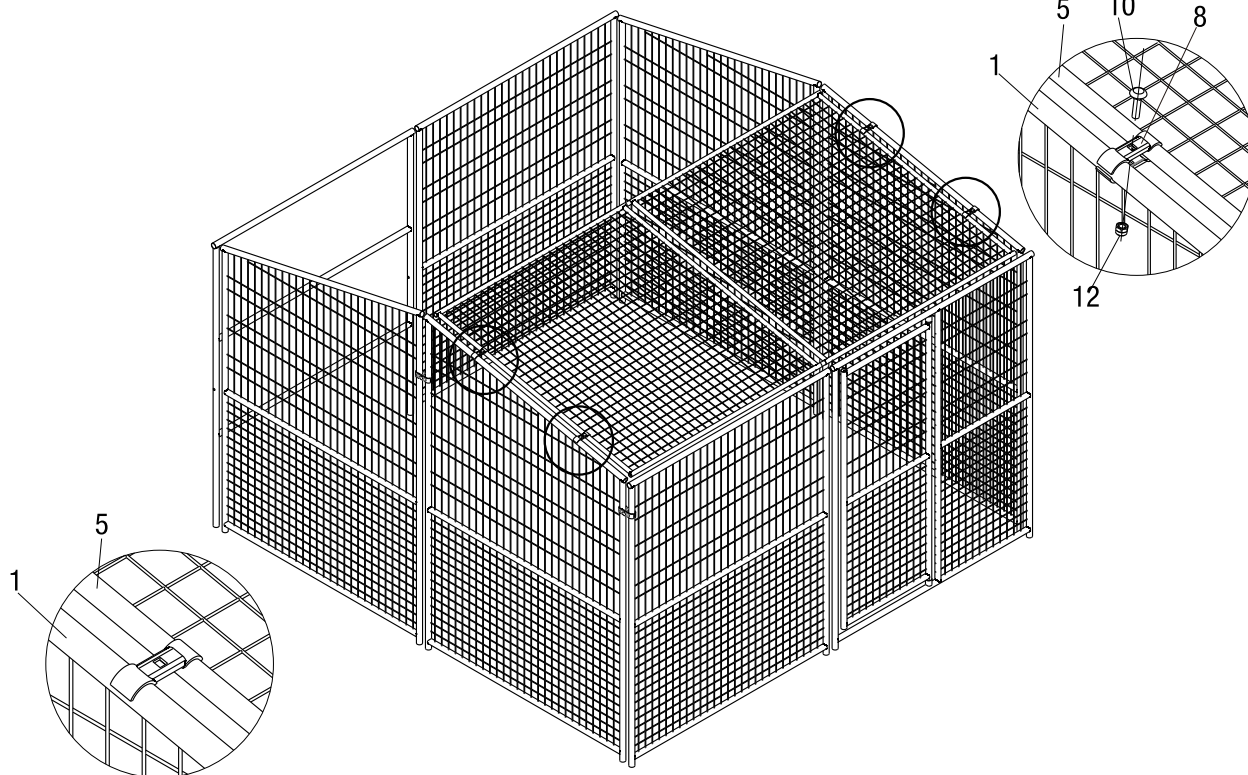
- Connect two roof panels (5) using connectors (6) as shown below. This will be half of the run roof.
- Note: These two panels will complete one half of the roof assembly.



Step 5

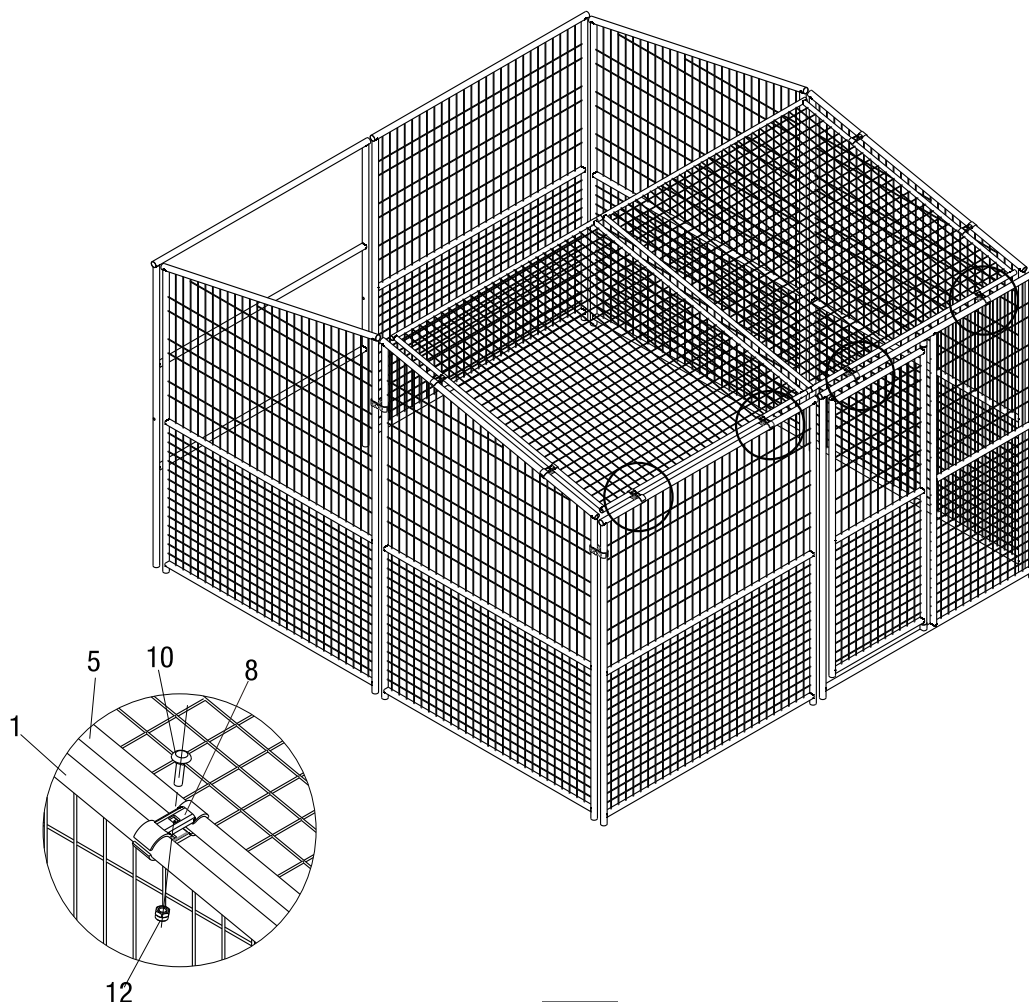
- Lift the completed roof panel assembly to the top of the side panels as shown below . Allow roof to rest on the four pre-welded clamps, then use clamps (8) to tighten the four pre-welded clamps and secure with bolts (10) and nuts (12).

5



- Repeat steps 4 - 5 to complete the second half of the roof assembly.

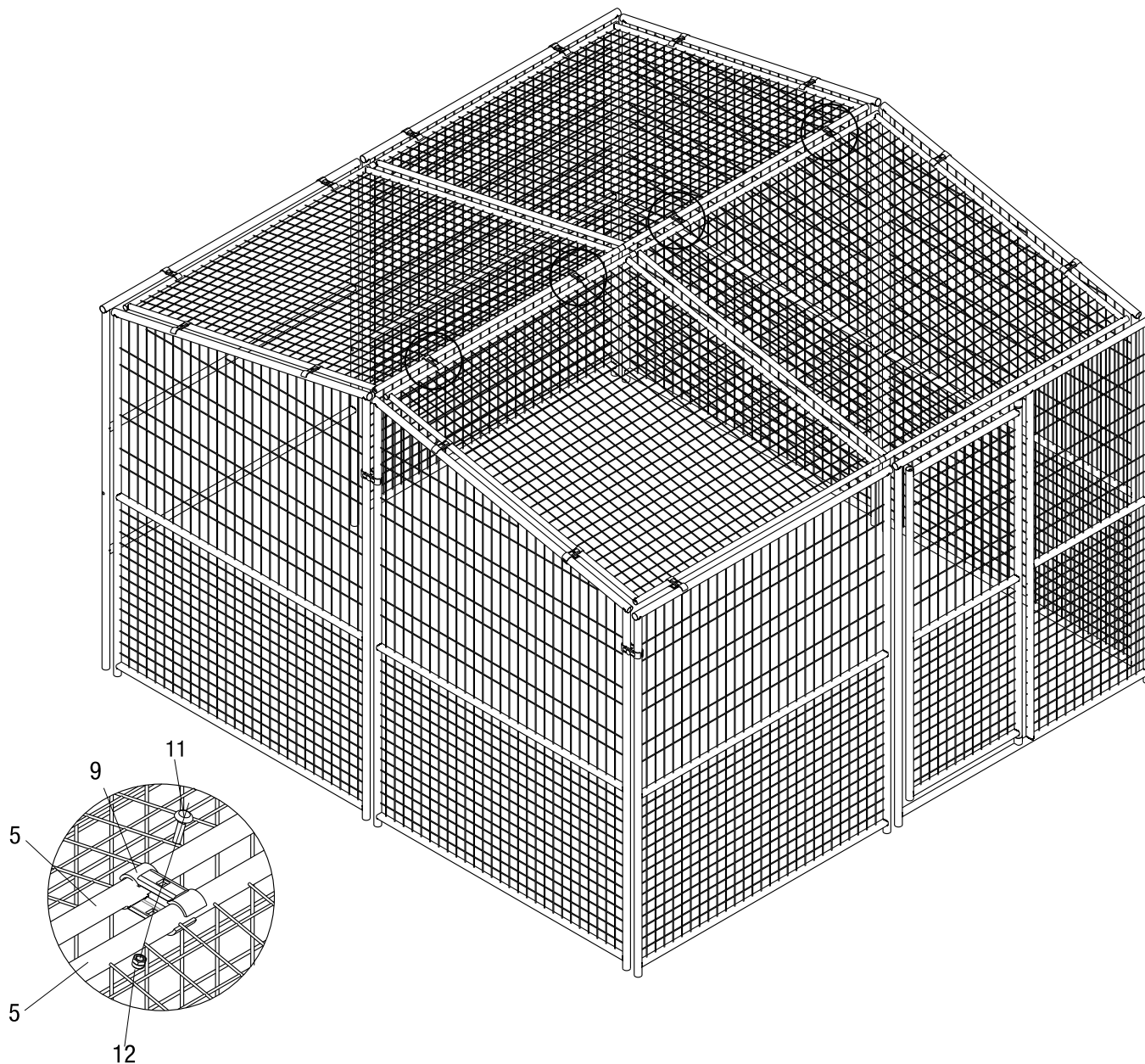
6



Step 6

- Complete the roof assembly by installing clamps (9) and secure with bolts (11) and nuts (12).

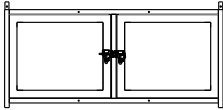
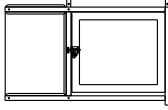
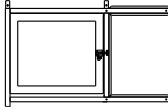
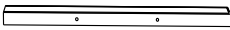
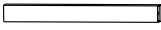
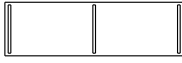

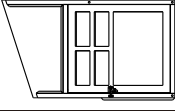
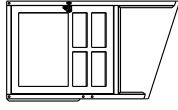
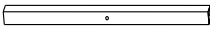
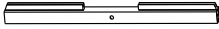

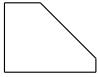
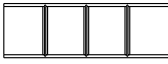
7



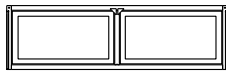





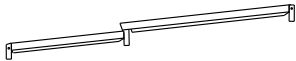
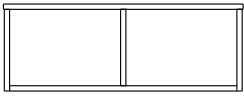

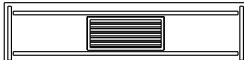

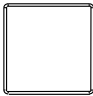
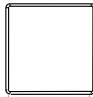


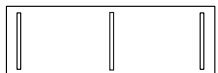
- The chicken run is now complete. Next, assemble the chicken coop near the coop attachment frame.

Instruction for chicken coop






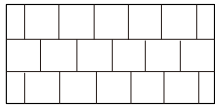







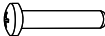




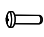

PARTS LIST

Part#	Description	Drawing	Qty.
1	Front door for storage area		1
2	Right panel for storage area		1
3	Left panel for storage area		1
4	Connecting rod with two holes		2
5	Support rod for floor panel		4
6	Floor panel for storage area		1
7	Mid-panel for storage area		1
8	Upper right panel		1
9	Upper left panel		1
10	Connecting rod with single hole		1
11	Connecting rod for back door		1
12	Support rod for tray		1
13	Divide panel for nesting box		3
14	Floor panel for nesting area		1

PARTS LIST

Part#	Description	Drawing	Qty.
15	Door panel for nesting box		1
16	Right support frame		1
17	Left support frame		1
18	Right panel for nesting box		1
19	Left panel for nesting box		1
20	Right slant rod		1
21	Left slant rod		1
22	Tray support frame		1
23	Tray		2
24	Front window panel		1
25	Connecting rod		2
26L	Left steel tray		1
26R	Right steel tray		1
27	Back door panel		1
28	Connecting rod with two grooves		1
29	Upper back panel		1

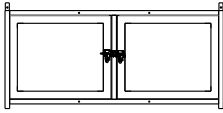
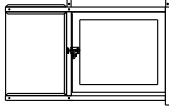
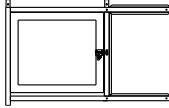
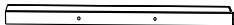

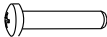

PARTS LIST

Part#	Description	Drawing	Qty.
30	Roof connecting frame		1
31	Roof for Nesting Box		1
32	L-G-plate I		1
33	R-G-plate I		1
34	L-plate III		1
35	Main Roof		1
36	L-G-plate II		1
37	R-G-plate II		1
38	Roosting bar		2
39	Ramp		1
40	Connectors for ramp		2
41	Clamp		4
42	Push-pull rod		1
43	M6x45 bolt		32
44	M6x20 bolt		2
45	M6 lock nut		6
46	Self- tapping screw ST 3.5x13		32+1
47	Tapping screw 4x25		29+1
48	M4x20 bolt		1
49	M6 Washer		2

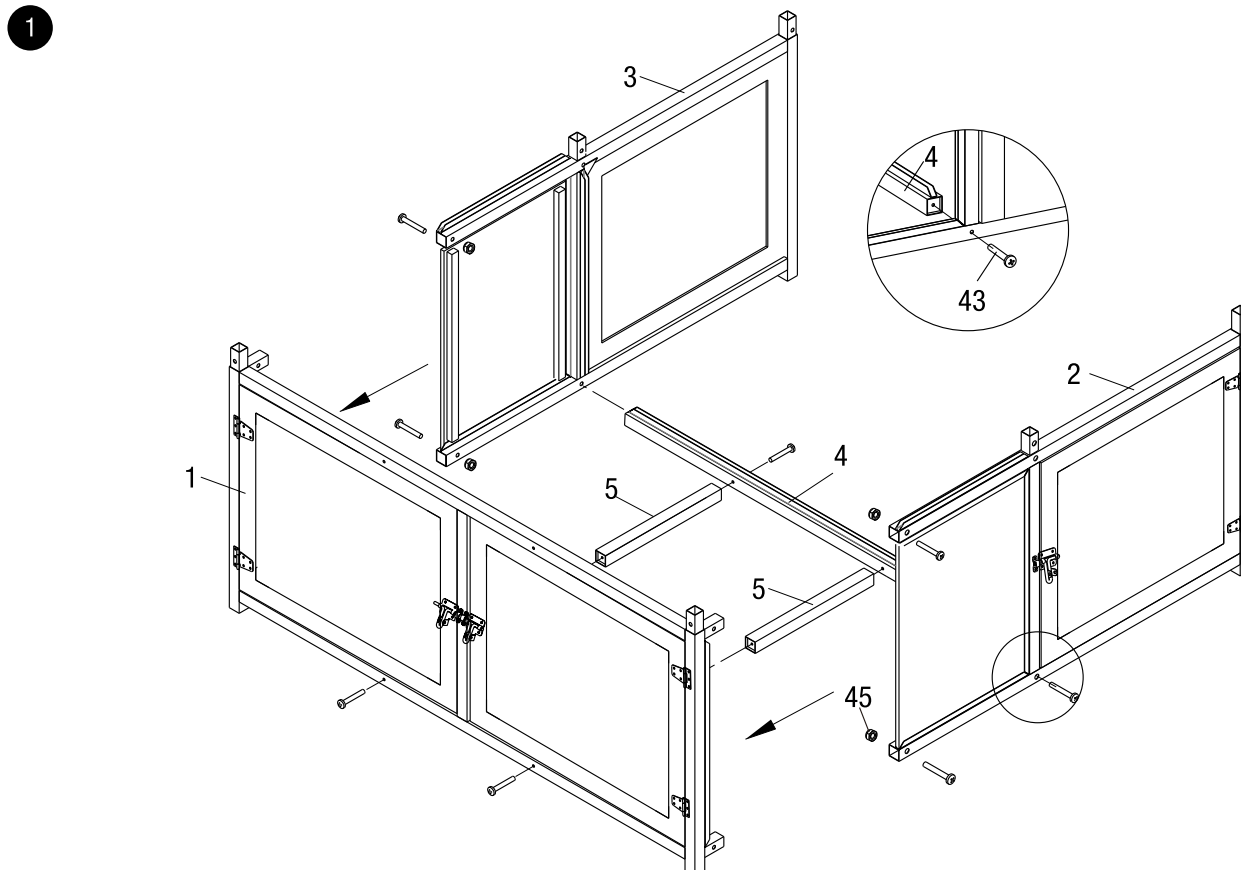
ASSEMBLY

Step 1

- All the parts needed for step 1 are listed below.

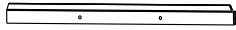


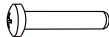
Part#	Description	Drawing	Qty.
1	Front door for storage area		1
2	Right panel for storage area		1
3	Left panel for storage area		1
4	Connecting rod with two holes		1
5	Support rod for floor panel		2
43	M6x45 bolt		10
45	M6 lock nut		4

- Connect right (2) & left (3) panels for storage area to front door (1) and secure the four corners with bolts (43) & nuts (45).
DO NOT tighten at this step.
- Lay out parts (4) and (5) as shown below, then connect to door panel and side panels with bolts (43).
Now you can tighten the bolts.

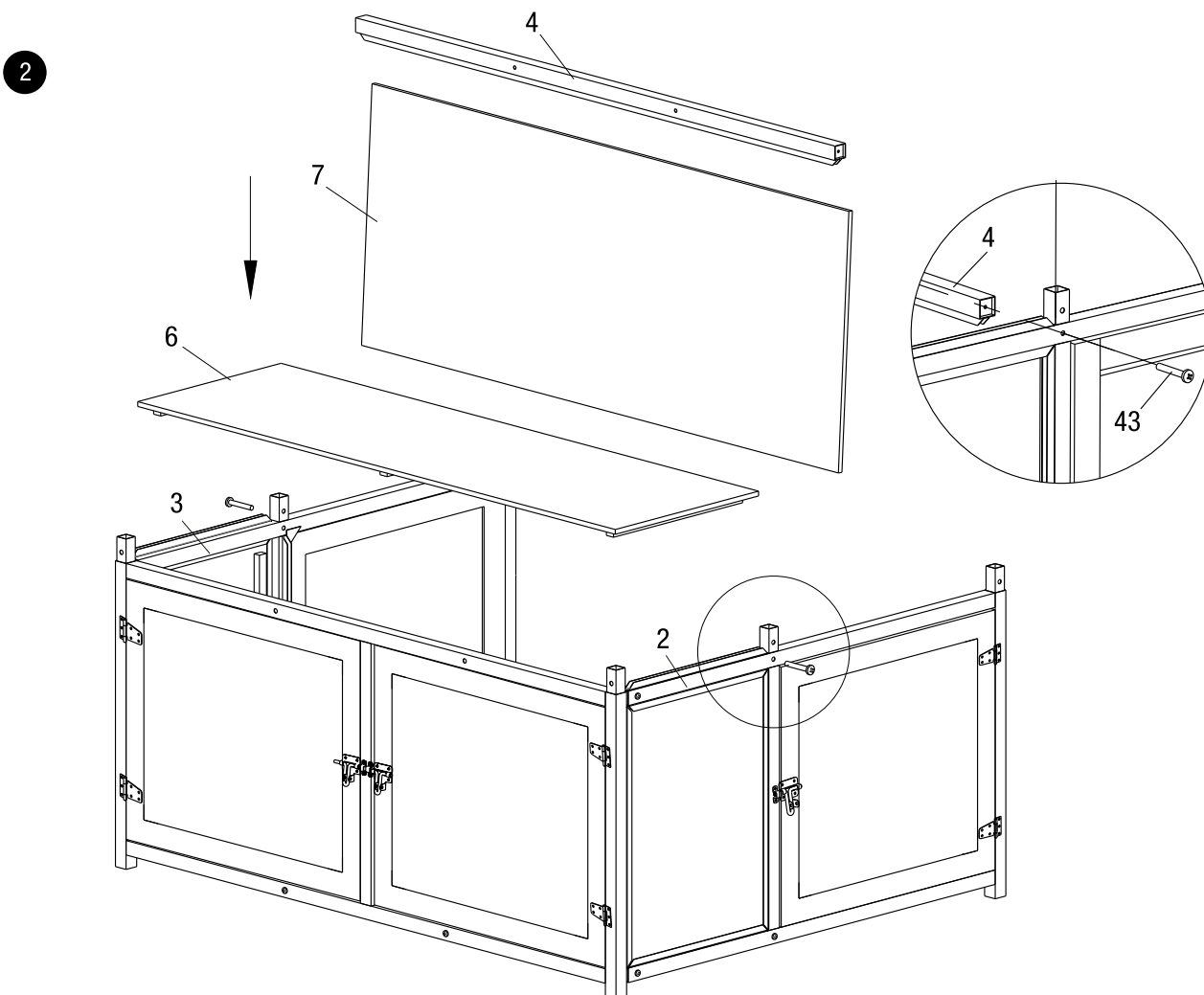


Step 2

- All the parts needed for step 2 are listed below.

Part#	Description	Drawing	Qty.
4	Connecting rod with two holes		1
6	Floor panel for storage area		1
7	Mid-panel for storage area		1
43	M6x45 bolt		2

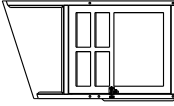
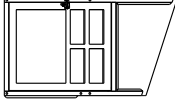
- Place the floor panel (6) on the support rods (5). Slide the mid-panel (7) into the grooves of (2) & (3) and cover with connecting rod (4). Secure the connecting rod (4) to (2) & (3) with bolts (43).



ASSEMBLY

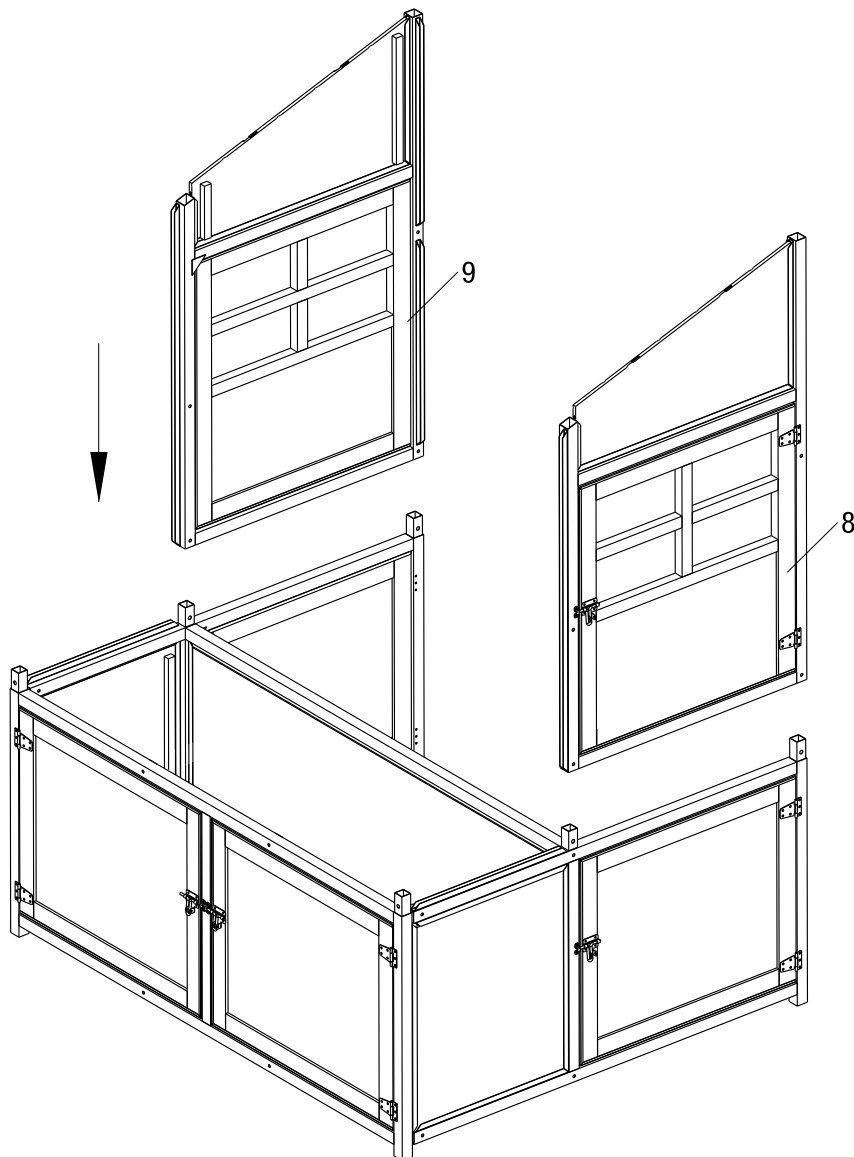
Step 3

- All the parts needed for step 3 are listed below.

Part#	Description	Drawing	Qty.
8	Upper right panel		1
9	Upper left panel		1

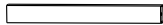


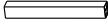
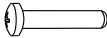
- Place right panel (8) and left panel (9) onto the end of each side panel as shown below.

3



Step 4

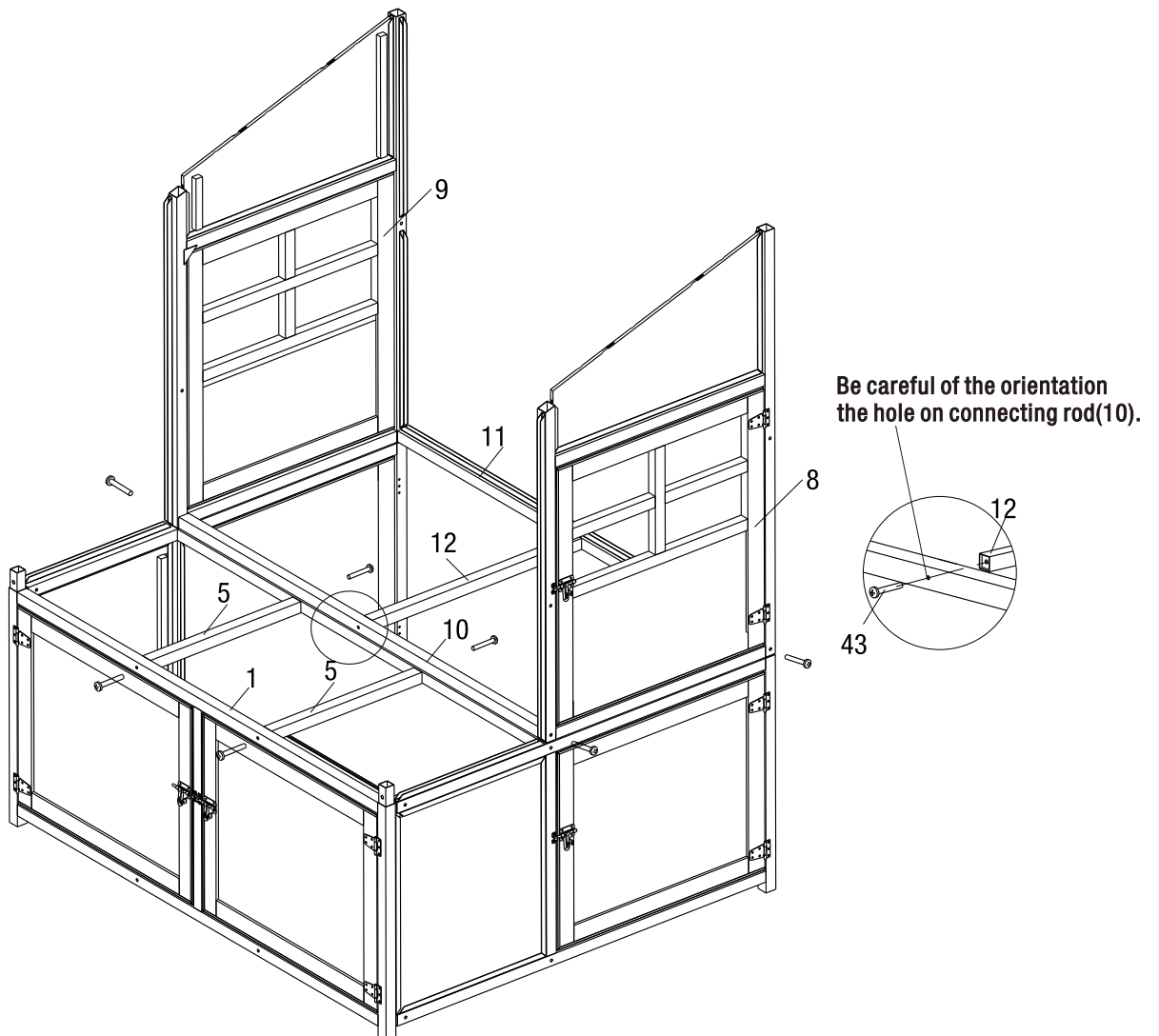
- All the parts needed for step 4 are listed below.

Part#	Description	Drawing	Qty.
5	Support rod for floor panel		2
10	Connecting rod with single hole		1
11	Connecting rod back for door		1
12	Support rod for tray		1
43	M6x45 bolt		10

Place connecting rod (10) between panels (8) and (9) as shown below and secure with bolts (43).

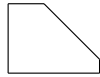
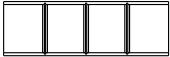
- Secure the other side with connecting rod (11) and bolts (43).
- Place support rod (12) between rods (10) & (11) and secure using bolts (43).
- Place support rod (5) between rods (1) & (10) and secure using bolts (43).

4



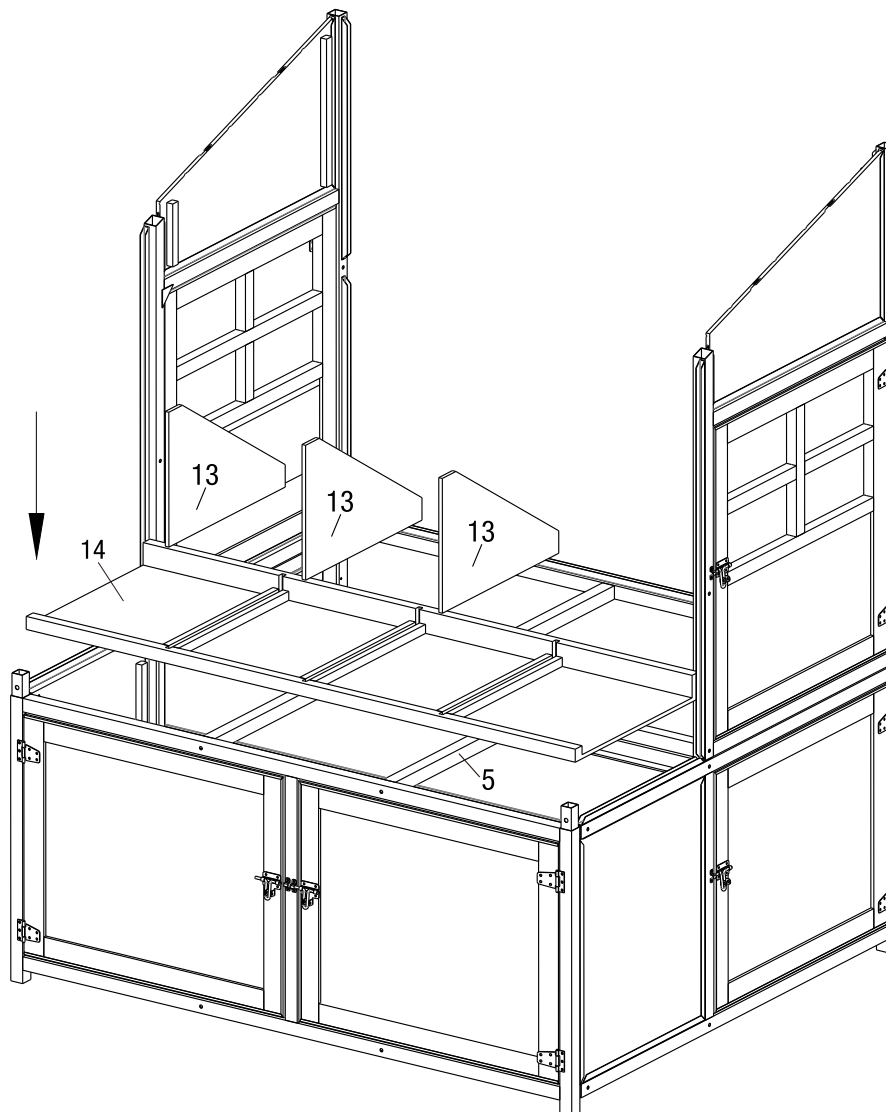
Step 5

- All the parts needed for step 5 are listed below.

Part#	Description	Drawing	Qty.
13	Divide panel for nesting box		3
14	Floor panel for nesting area		1

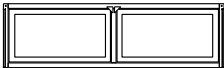


- Follow below drawing, put the floor panel (14) on top of the two support rod (5), and then insert the 3 nesting box dividers (13) through the grooves on the floor (14).

5



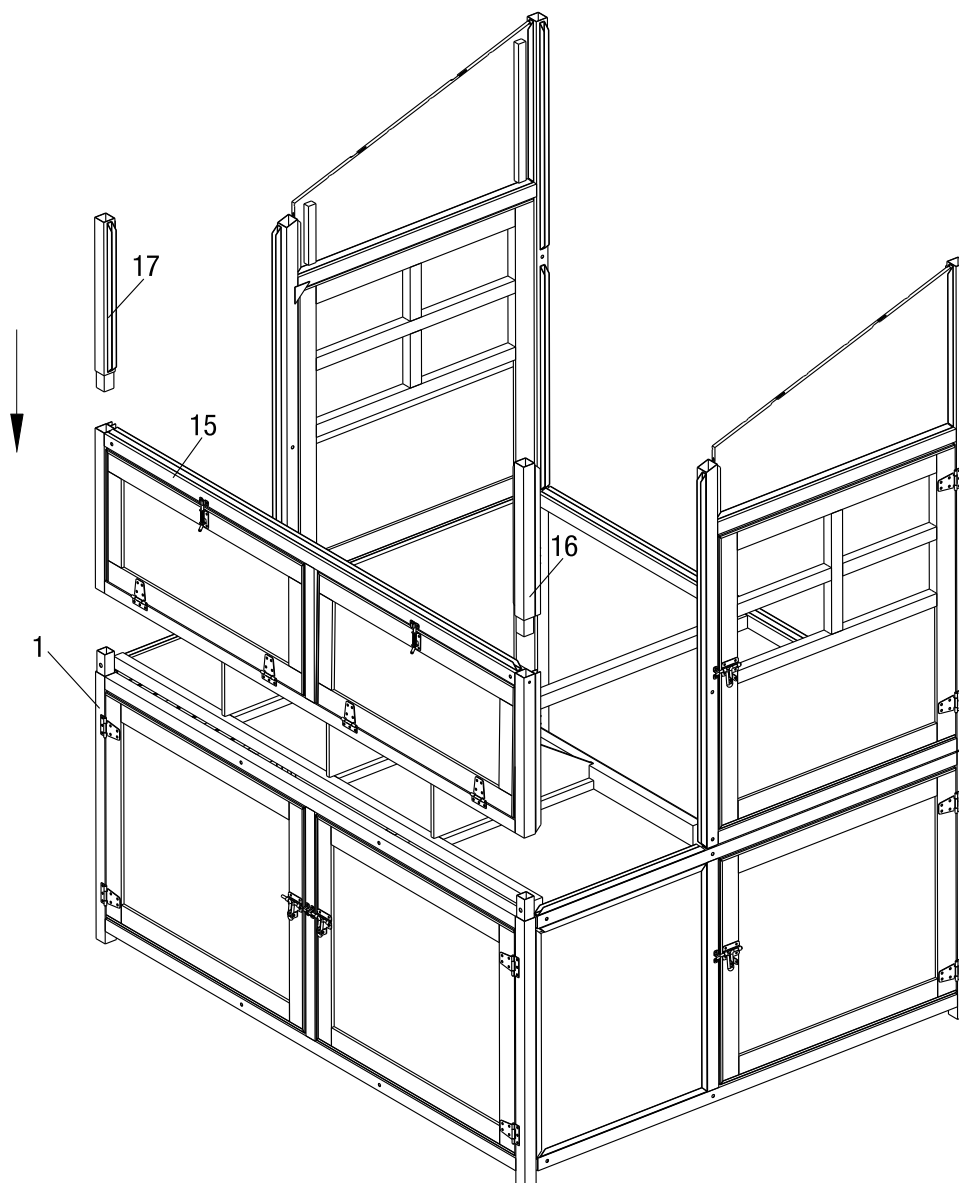
Step 6

- All the parts needed for step 6 are listed below.

Part#	Description	Drawing	Qty.
15	Door panel for nesting box		1
16	Right support frame		1
17	Left support frame		1



- Insert the door panel of the nesting box (15) on top of storage area front door (1).
Put the two support frames (16, 17) on two corners of the door panel (15).

6



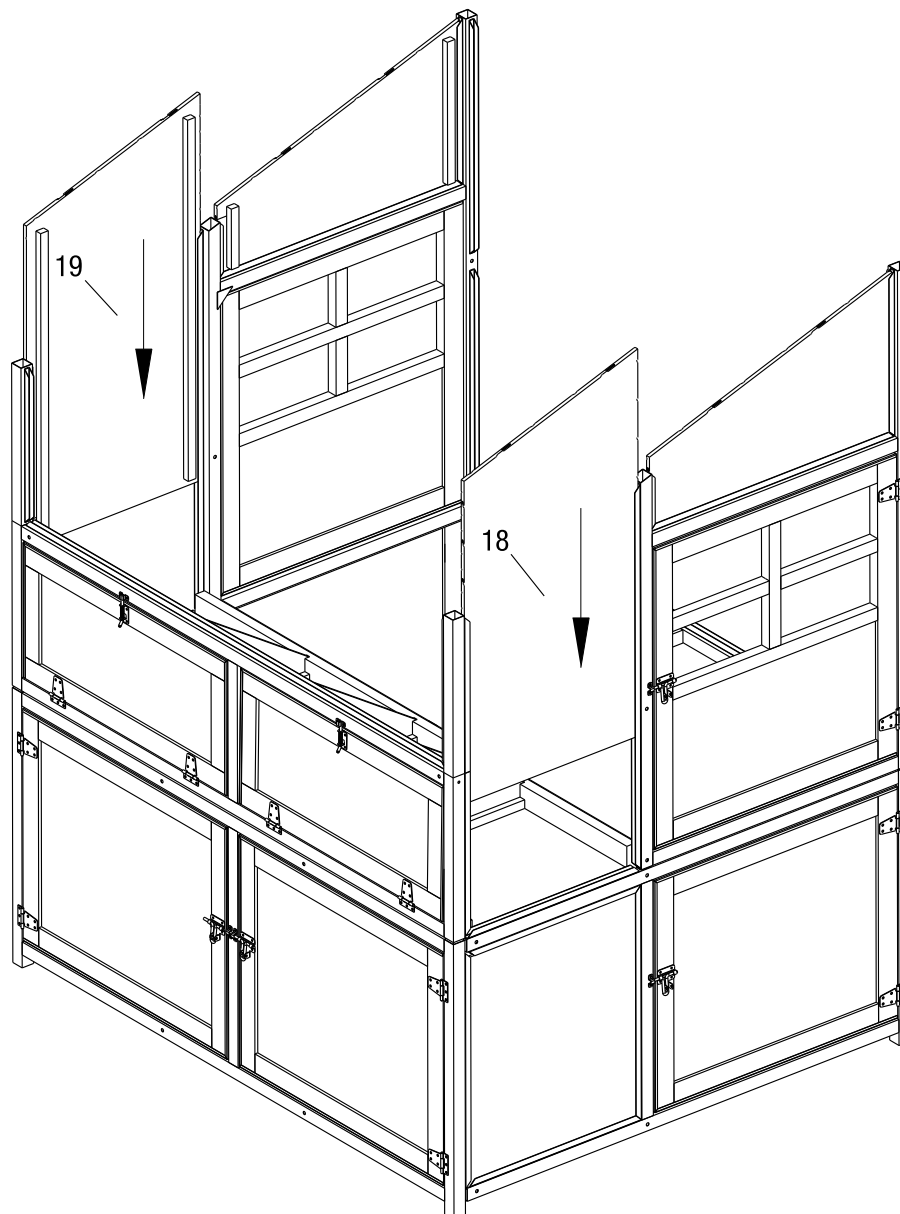
Step 7

- All the parts needed for step 7 are listed below.

Part#	Description	Drawing	Qty.
18	Right panel for nesting box		1
19	Left panel for nesting box		1


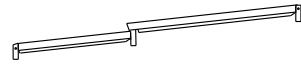

- Slide the right panel (18) into the right side of nesting area and the left panel (19) into the left side as shown below.

7



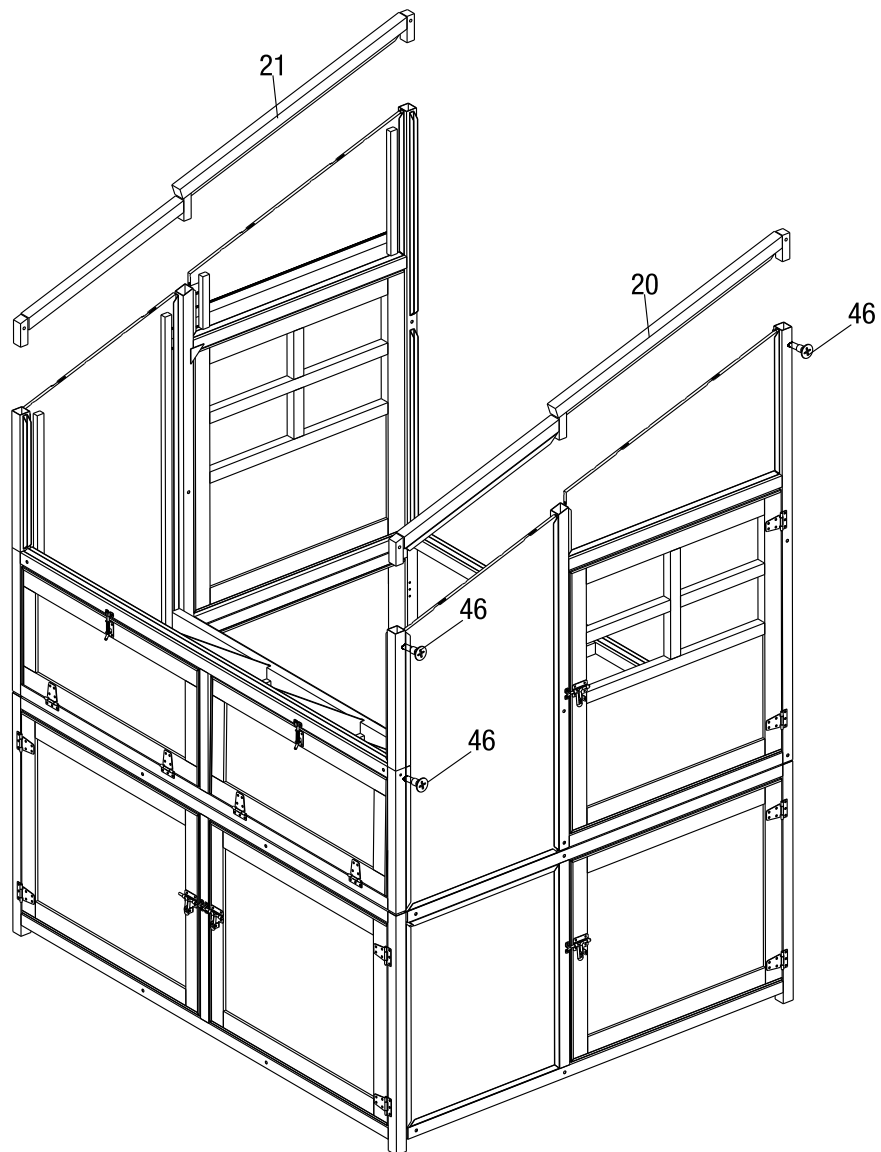
Step 8

- All the parts needed for step 8 are listed below.

Part#	Description	Drawing	Qty.
20	Right slant rod		1
21	Left slant rod		1
46	Self- tapping screw ST 3.5x13		6



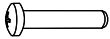
- Cover the right top edge by the right slant rod (20), and the left top edge by the left slant rod (21), and fix by 6pcs self -tapping screws (46).

8



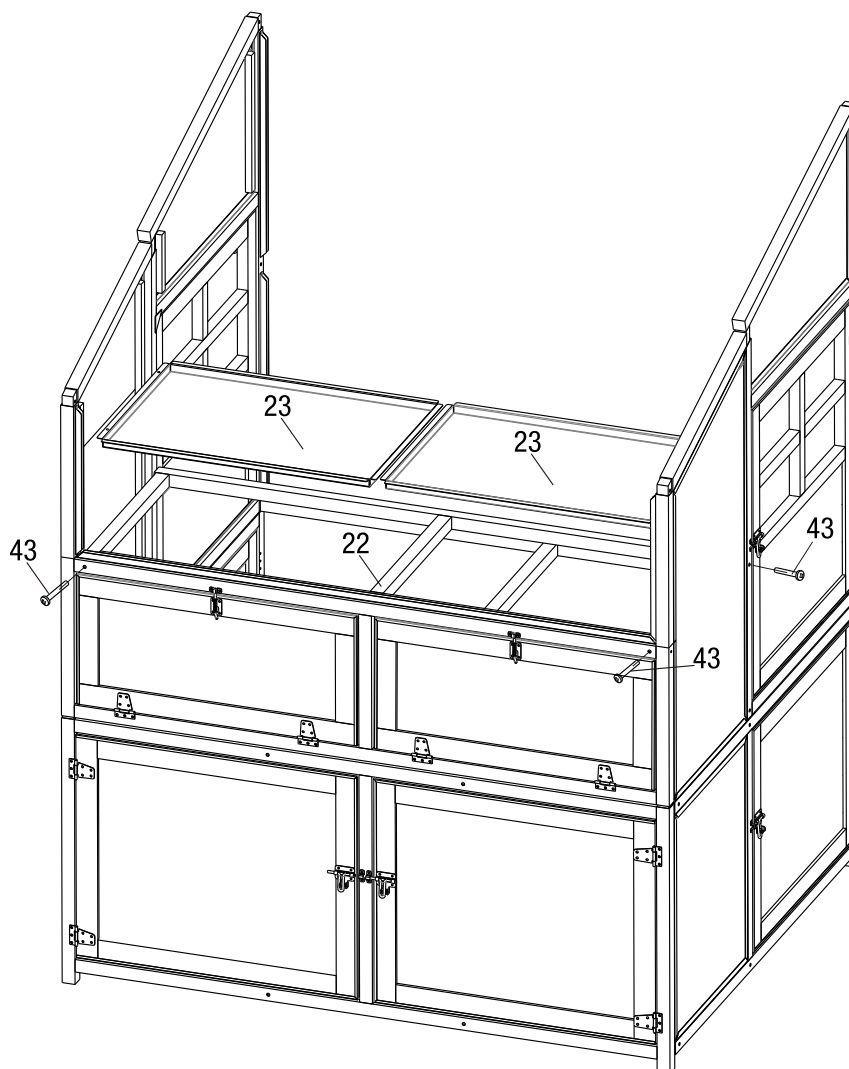
Step 9

- All the parts needed for step 9 are listed below.

Part#	Description	Drawing	Qty.
22	Tray support frame		1
23	Tray		2
43	M6x45 bolt		4

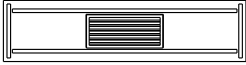
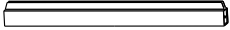
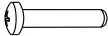
- Fix the tray support frame (22) by M6x45 bolt (43).
- Put the two trays (23) on top of the frame.

9



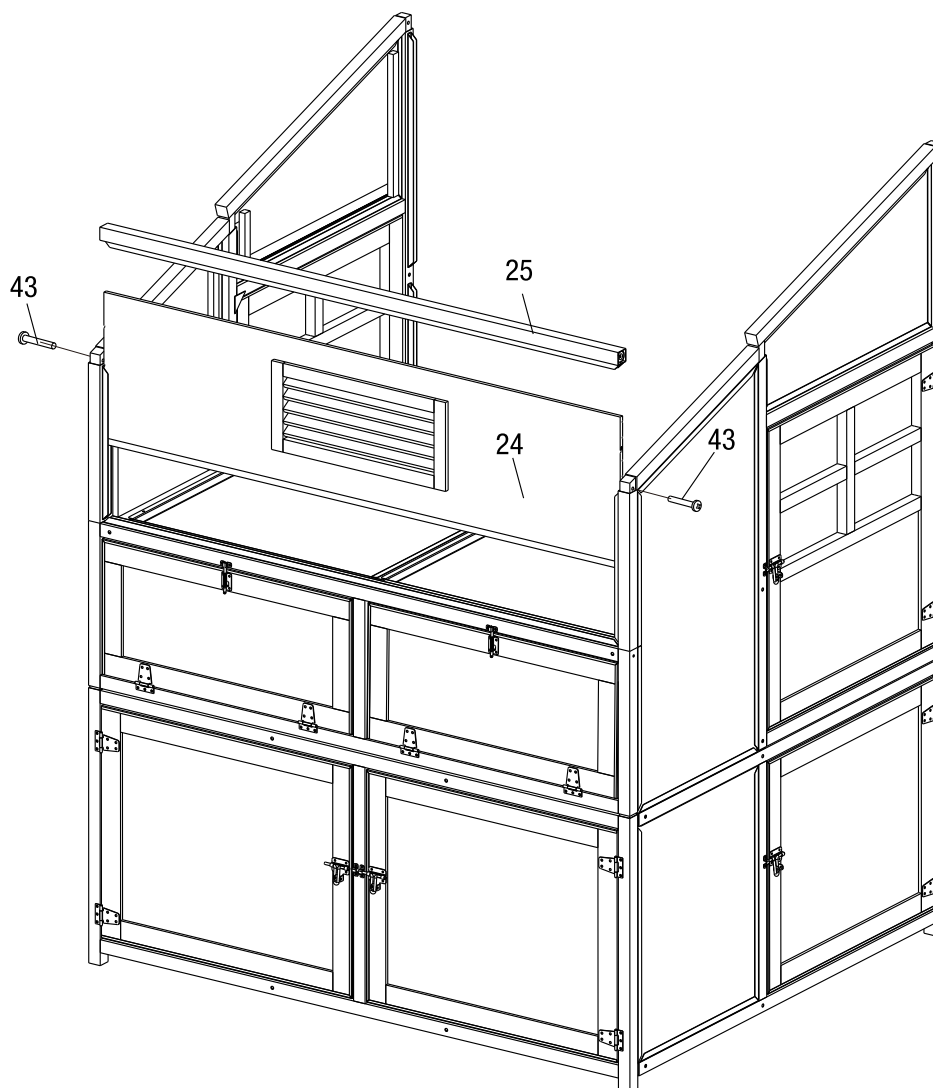
Step 10

- All the parts needed for step 10 are listed below.

Part#	Description	Drawing	Qty.
24	Front window panel		1
25	Connecting rod		1
43	M6x45 bolt		2

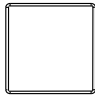
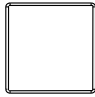


- Slide window panel (24) into position and cover with connecting rod (25). Then secure the rod to both ends using bolts (43).

10



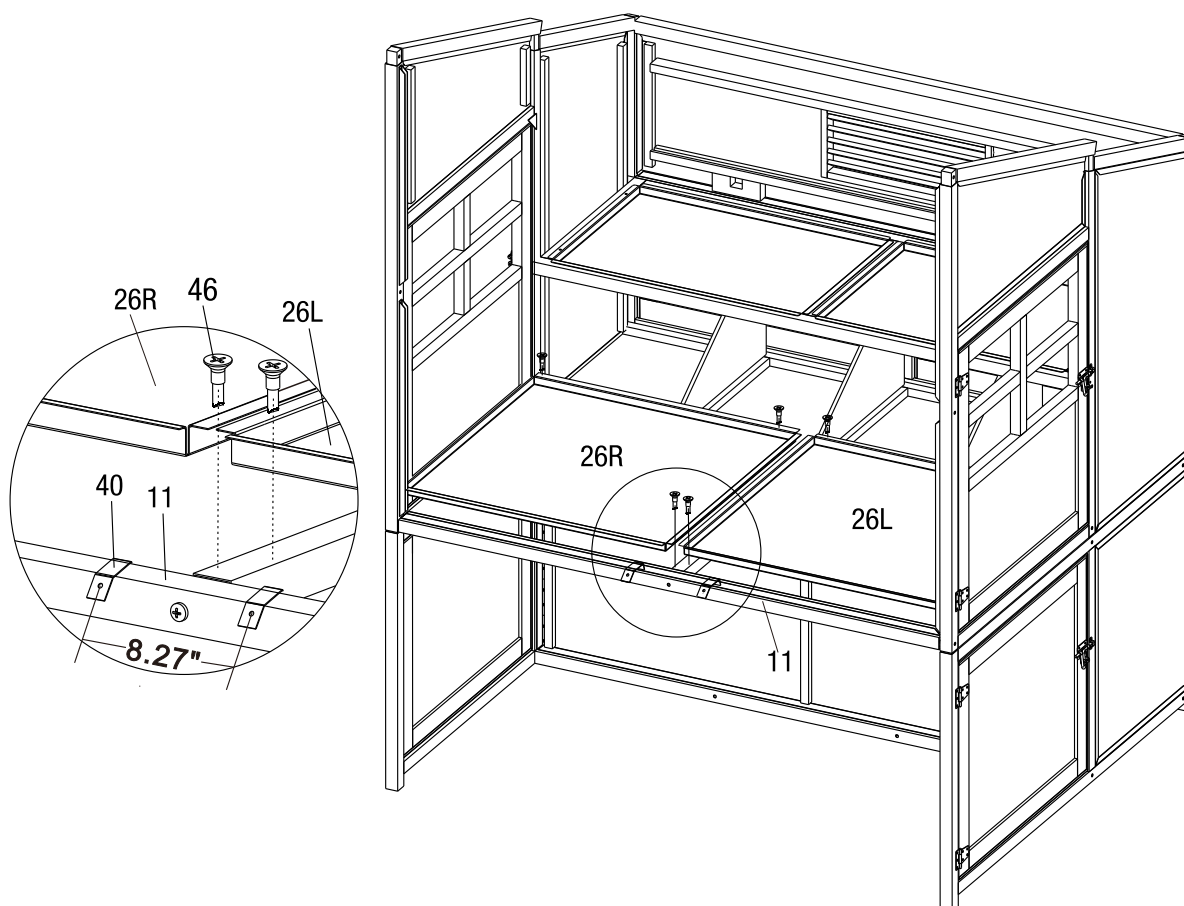
Step 11

- All the parts needed for step 11 are listed below.

Part#	Description	Drawing	Qty.
26L	Left steel tray		1
26R	Right steel tray		1
40	Connectors for ramp		2
46	Self-tapping screw ST 3.5x13		6

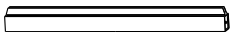
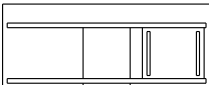


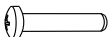
- Put the connectors for ramp (40) onto the (11) as shown below and make the distance between the two connectors as 8.27" from the center of the pre-drilled holes in ramp connectors.
- Place steel trays (26R,26L) into position. Please note that two of the four edges are wider and when assembling, please put the wider edges facing inward. Attach the trays to the frame on the wider side with screws (46).

11



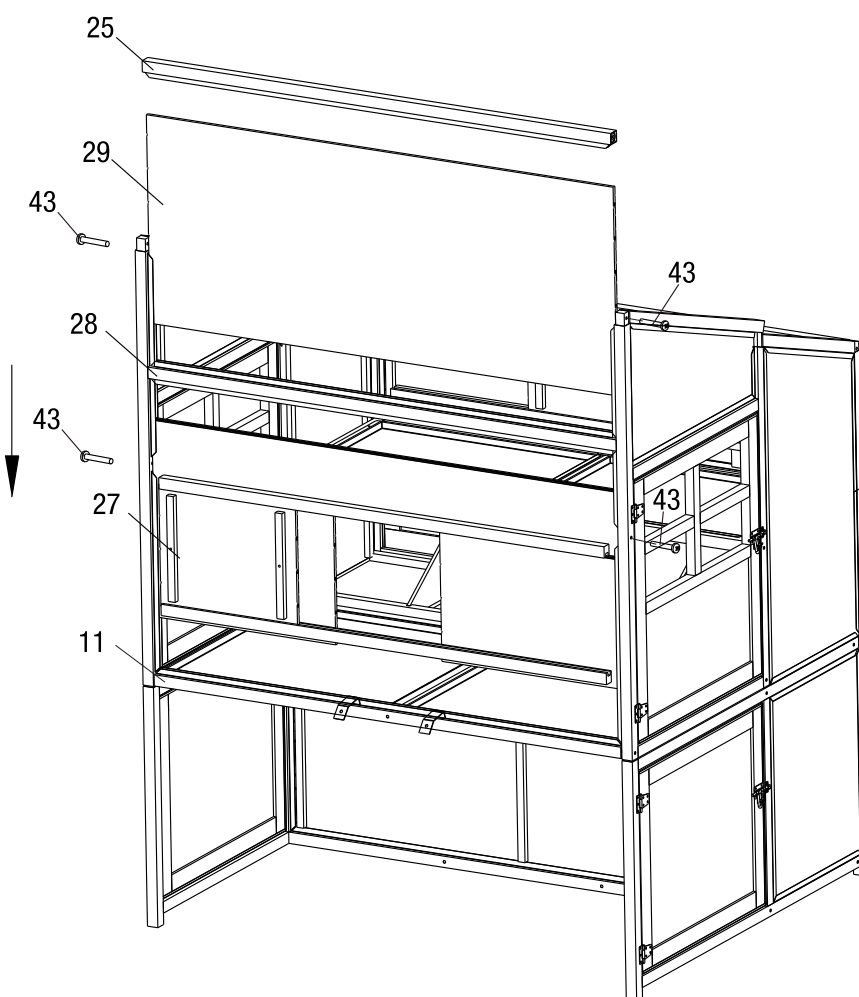
Step 12

- All the parts needed for step 12 are listed below.

Part#	Description	Drawing	Qty.
25	Connecting rod		1
27	Back door panel		1
28	Connecting rod with two grooves		1
29	Upper back panel		1
43	M6x45 bolt		4

- Slide back door panel (27) into connecting rod (11). Place connecting rod (28) onto panel (27) and fasten to side panels using bolts (43). Then, slide upper back panel (29) into the upper groove of connecting rod (28). Place rod (25) onto back panels (29) and fasten to both sides using bolts (43).

12



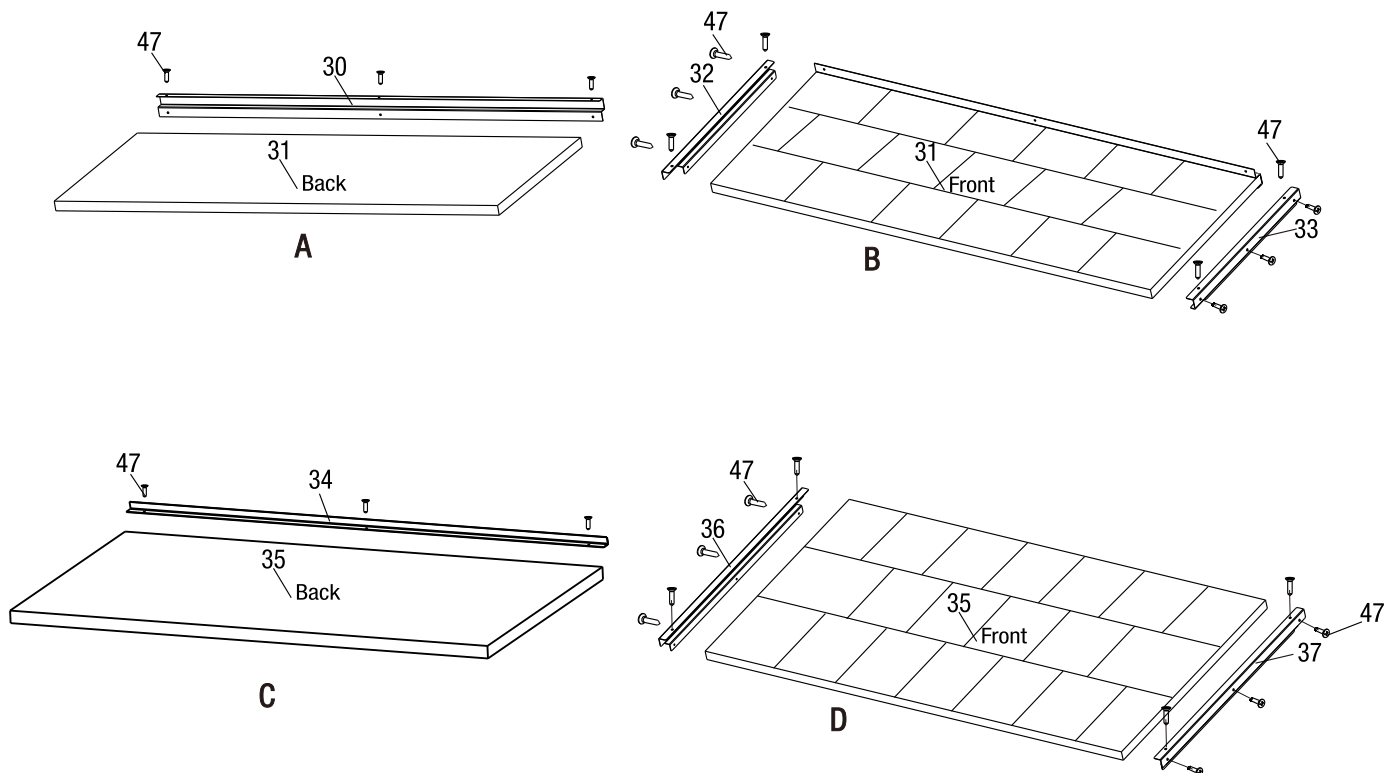
Step 13

- All the parts needed for step 13 are listed below.

Part#	Description	Drawing	Qty.
30	Roof connecting frame		1
31	Roof for Nesting Box		1
32	L-G-plate I		1
33	R-G-plate I		1
34	L-plate III		1
35	Main Roof		1
36	L-G-plate II		1
37	R-G-plate II		1
47	Tapping screw 4x25		26



- Fix roof connecting frame (30) on back edge (no asphalt edge) of the nesting box roof (31), using tapping screws (47) 3pcs. Drawing A.
- Following drawing B, assemble L-G-plate I (32) and R-G-plate I (33) on two sides of (31) by tapping screws (47).
- Same way, assemble (34, 36, 37) to the edge of the main roof (35). Drawing C & D.

13



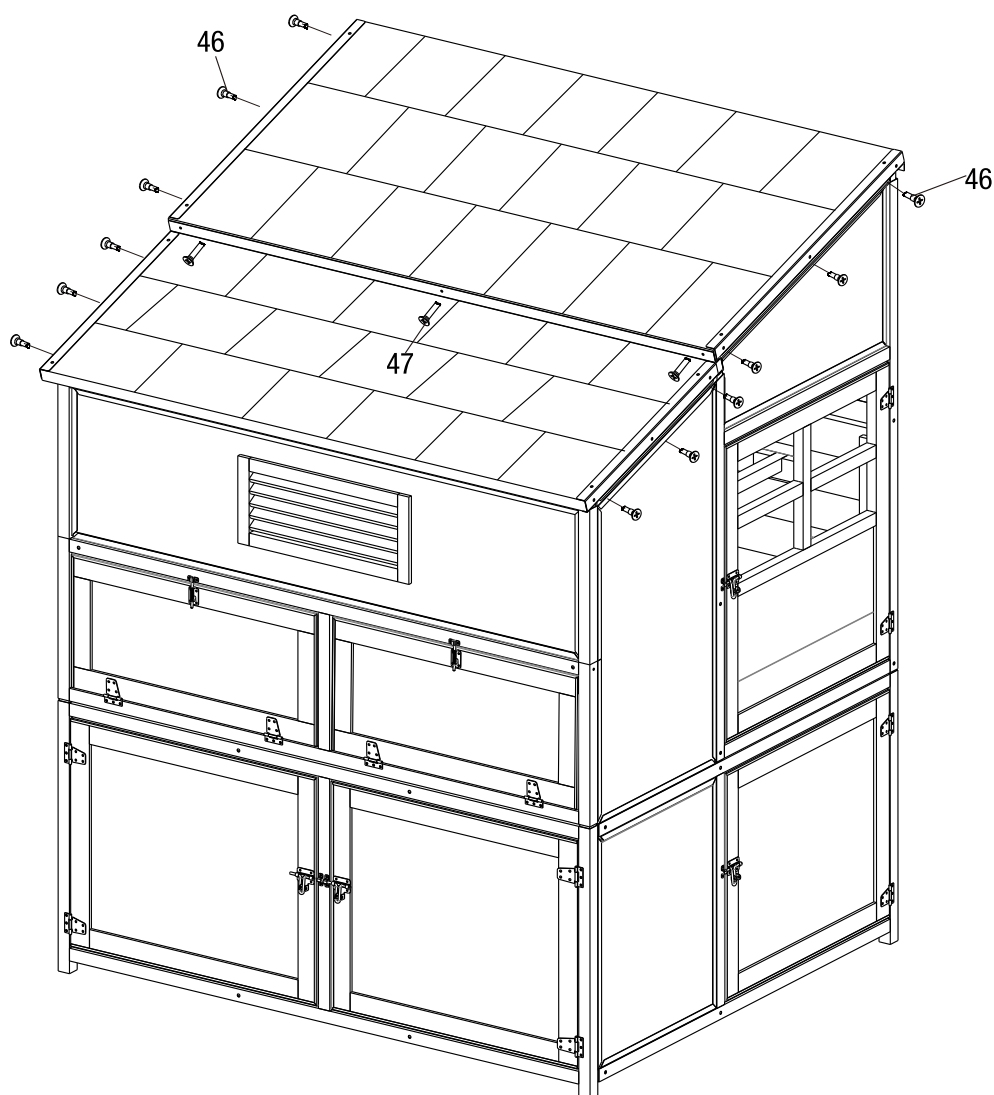
Step 14

- All the parts needed for step 14 are listed below.

Part#	Description	Drawing	Qty.
46	Self-drilling screw ST 3.5x13		12
47	Tapping Screw 4x25		3

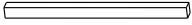
- Place both roof panels into position. Then, secure the right and left side of both roofs to the frame with screws(46) &(47).

14



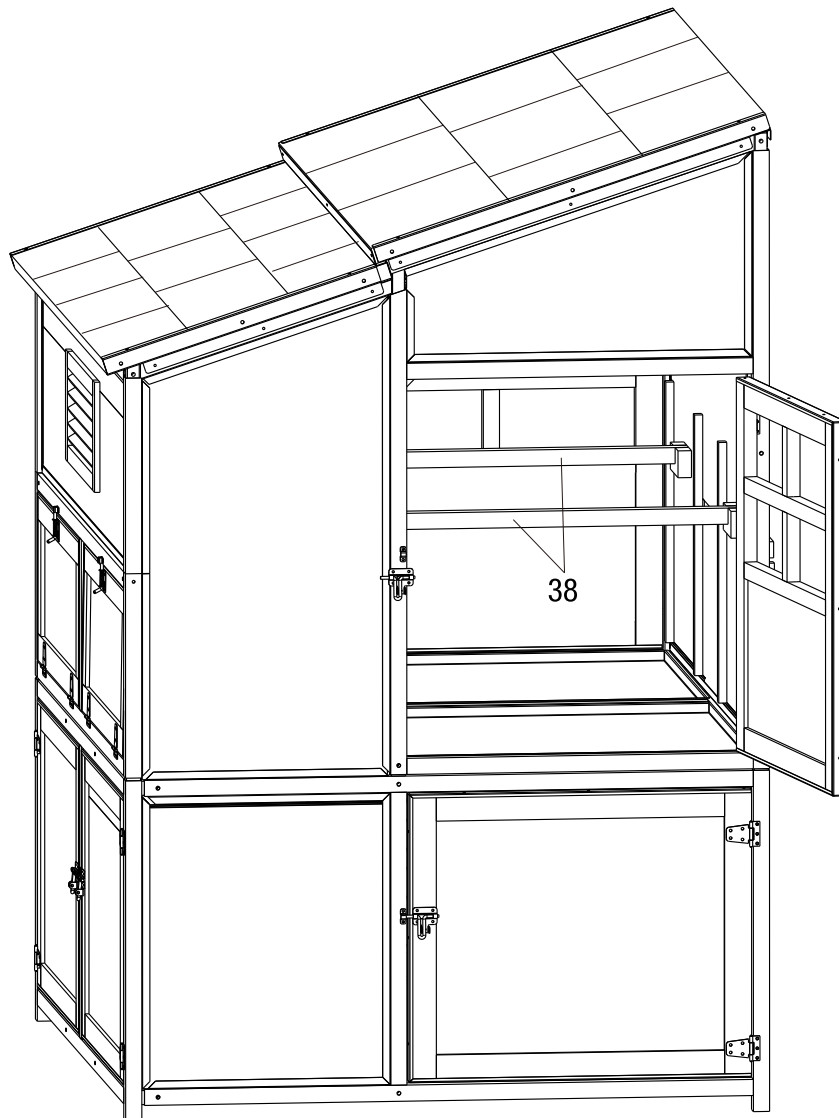
Step 15

- All the parts needed for step 15 are listed below.

Part#	Description	Drawing	Qty.
38	Roosting bar		2



- Put the two roosting bars (38) on the pre-assembled blocks between front window panel (24) and back panel (27).
- Now, the chicken coop is ready to be attached to the run.

15



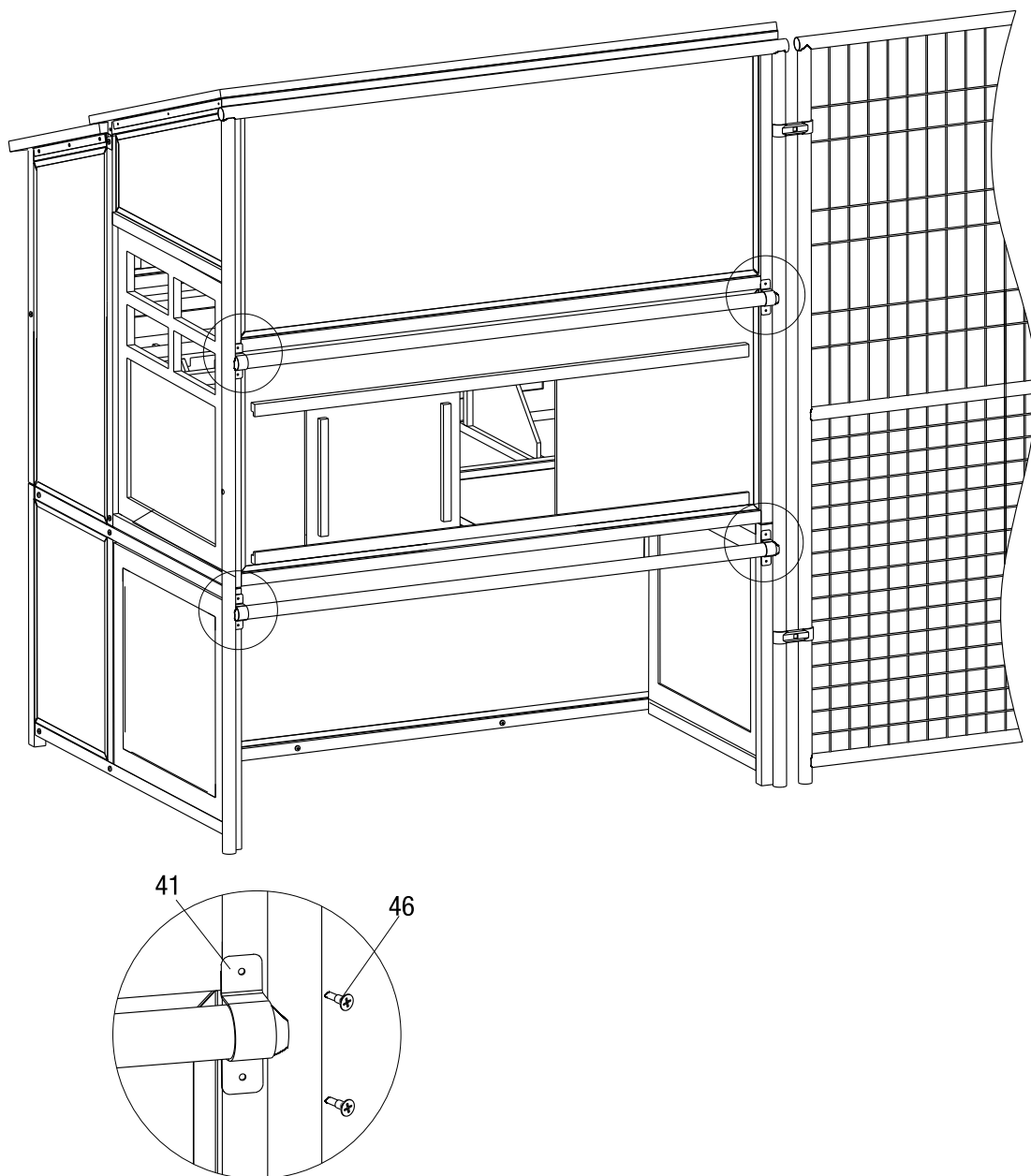
Step 16

- All the parts needed for step 16 are listed below.

Part#	Description	Drawing	Qty.
41	Clamp		4
46	Self-tapping screw ST 3.5x13		8

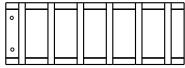
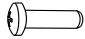


- Assemble the chicken coop to the run panel using clamps (41) and screws (46) on the four positions as shown below.

16



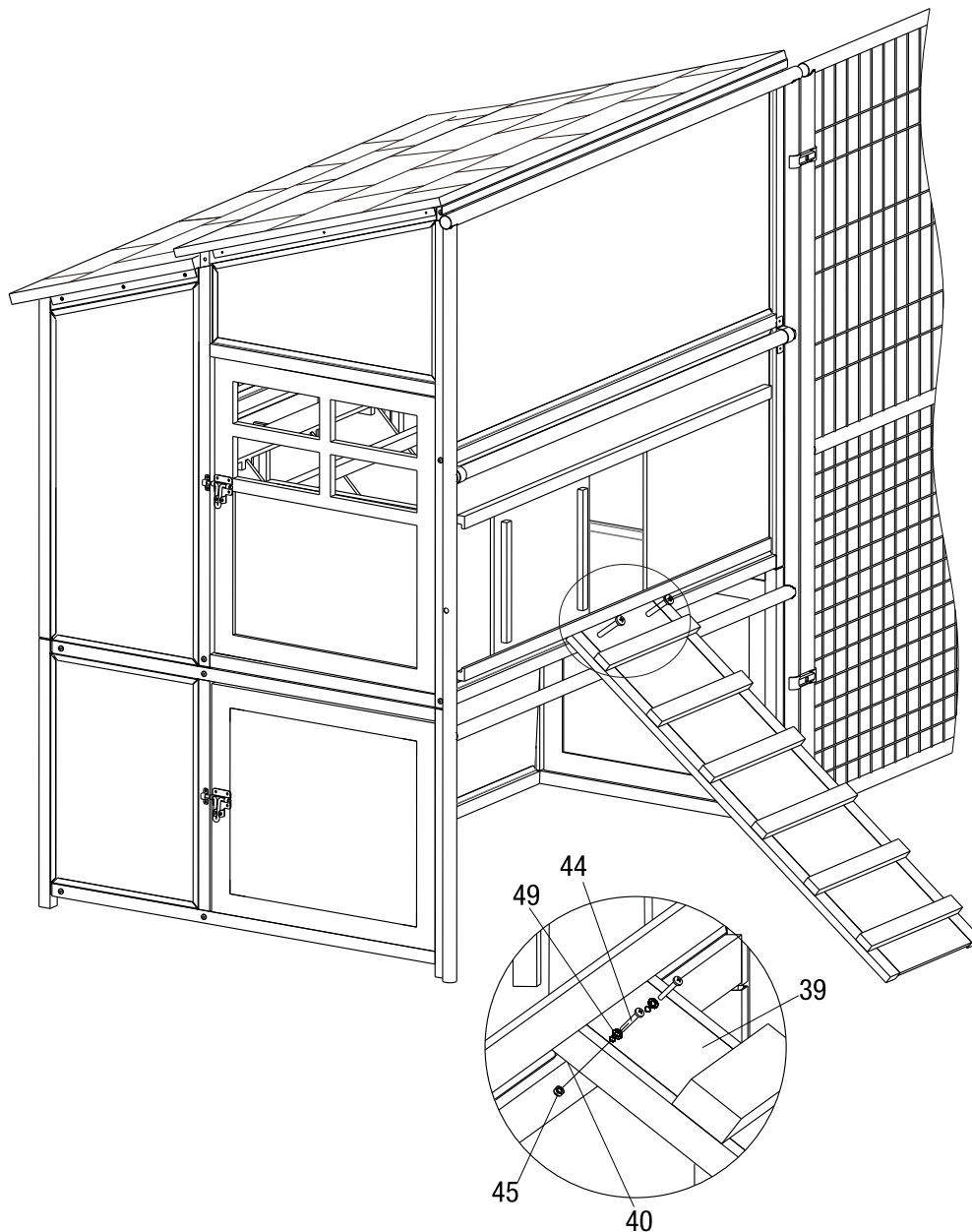
Step 17

- All the parts needed for step 17 are listed below.

Part#	Description	Drawing	Qty.
39	Ramp		1
44	M6x20 bolt		2
45	M6 lock nut		2
49	M6 Washer		2


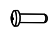
- Assemble the ramp (39) to the chicken coop. Fix the connectors (40) to ramp with bolts (44) & Nuts (45) & washer (49) as shown below.

17



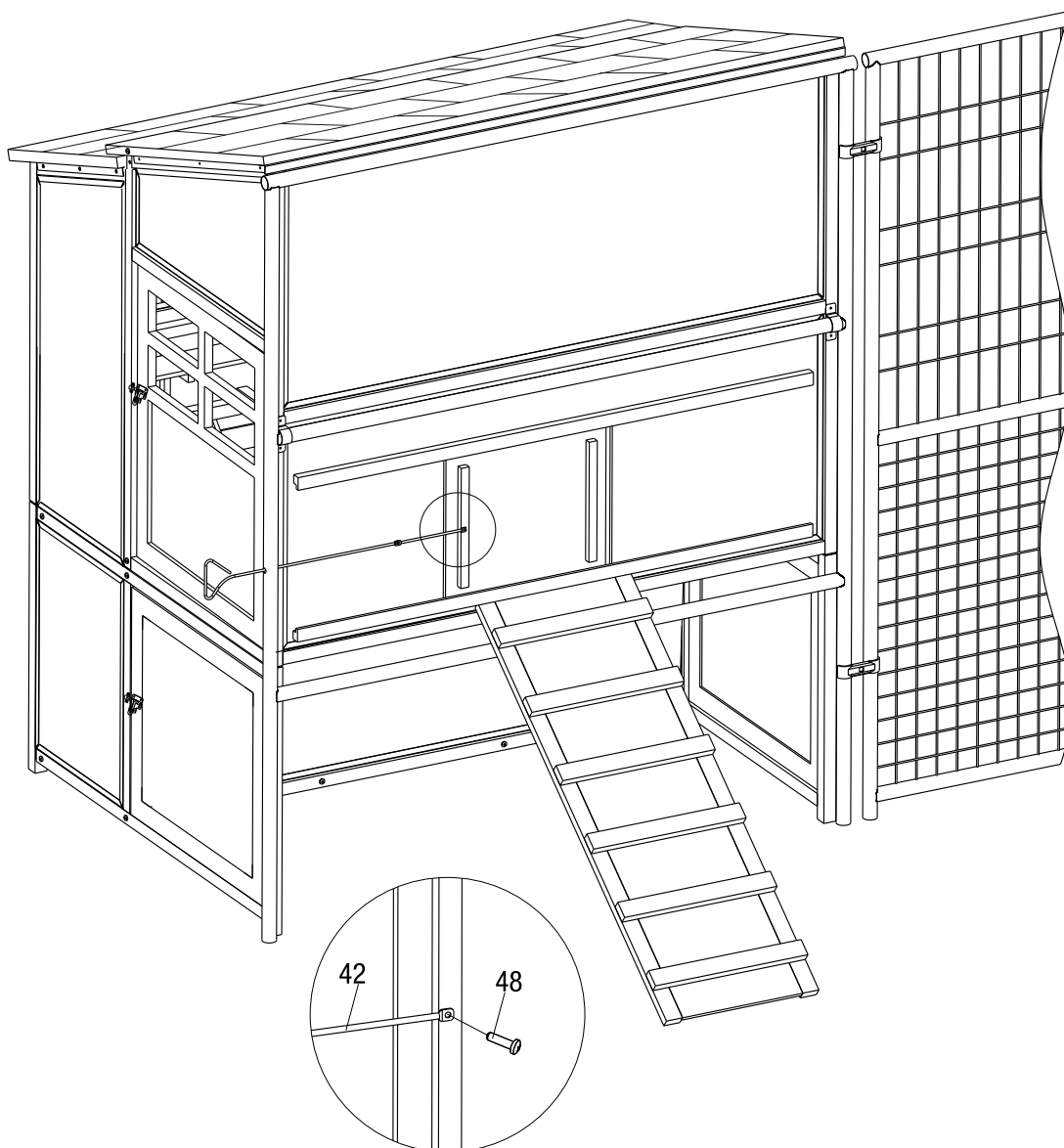
Step 18

- All the parts needed for step 18 are listed below.

Part#	Description	Drawing	Qty.
42	Push-pull rod		1
48	M4x20 Bolt		1

- Thread the push-pull rod (42) through the hole on the frame and secure the other end to the door with bolt (48).

18



- The chicken coop and run are now ready for use.